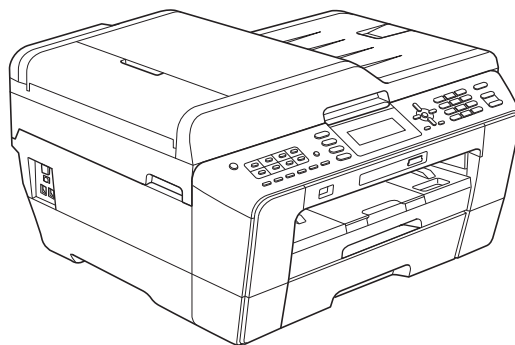




# Inkjet MFC

## **PARTS REFERENCE LIST**

**MODEL:  
MFC-J6510DW/  
MFC-J6710DW/MFC-J6910DW**



Read this list thoroughly before maintenance work.

Keep this list in a convenient place for quick and easy reference at all times.

# NOTE FOR USING THIS PARTS REFERENCE LIST

1. In the case of ordering parts, it is necessary to mention the following items;

- (1) Code
- (2) Q'ty
- (3) Description
- (4) Symbol ( PCB No. etc )

Note: Orders without Parts Code or Tool No. can not be accepted.

< Example >

REF.NO.	(1) CODE	(2) Q'TY	(3) DESCRIPTION	(4) SYMBOL	REMARK

2. Design-changed parts :

If any of the parts is changed, one of the following symbols is indicated in the REMARK column.

CHG(chg) : The parts is changed to a new parts.

ADD(add) : The parts is newly added.

DEL(del) : The parts is deleted.

Symbol in capital letters indicates the latest parts change information in the page.

3. Parts change will be informed by the Parts change information.

4. Parts are subject to change in design without prior notice.

## COUNTRIES

U.S.A. ----- US

CANADA ----- CAN

GERMANY ----- GER

UNITED KINGDOM ----- UK

FRANCE ----- FRA

BELGIUM ----- BEL

NETHERLANDS ----- NLD

SWITZERLAND ----- CHE

AUSTRIA ----- AUS

SPAIN ----- SPA

ITALY ----- ITA

CHINA ----- CHN

TAIWAN ----- TWN

SOUTH AFRICA ----- ZAF

HONG KONG ---- HK

INDONESIA ---- IDN

ARGENTINA ---- ARG

CHILE ---- CHL

POLAND ---- POL

SINGAPORE/GULF ---- SIN/GUL

BRAZIL ---- BRA

KOREA ---- KOR

RUSSIA ---- RUS

OCEANIA ---- OCE

PAN NORDIC

(NORWAY/FINLAND/DENMARK/SWEDEN) --- PND

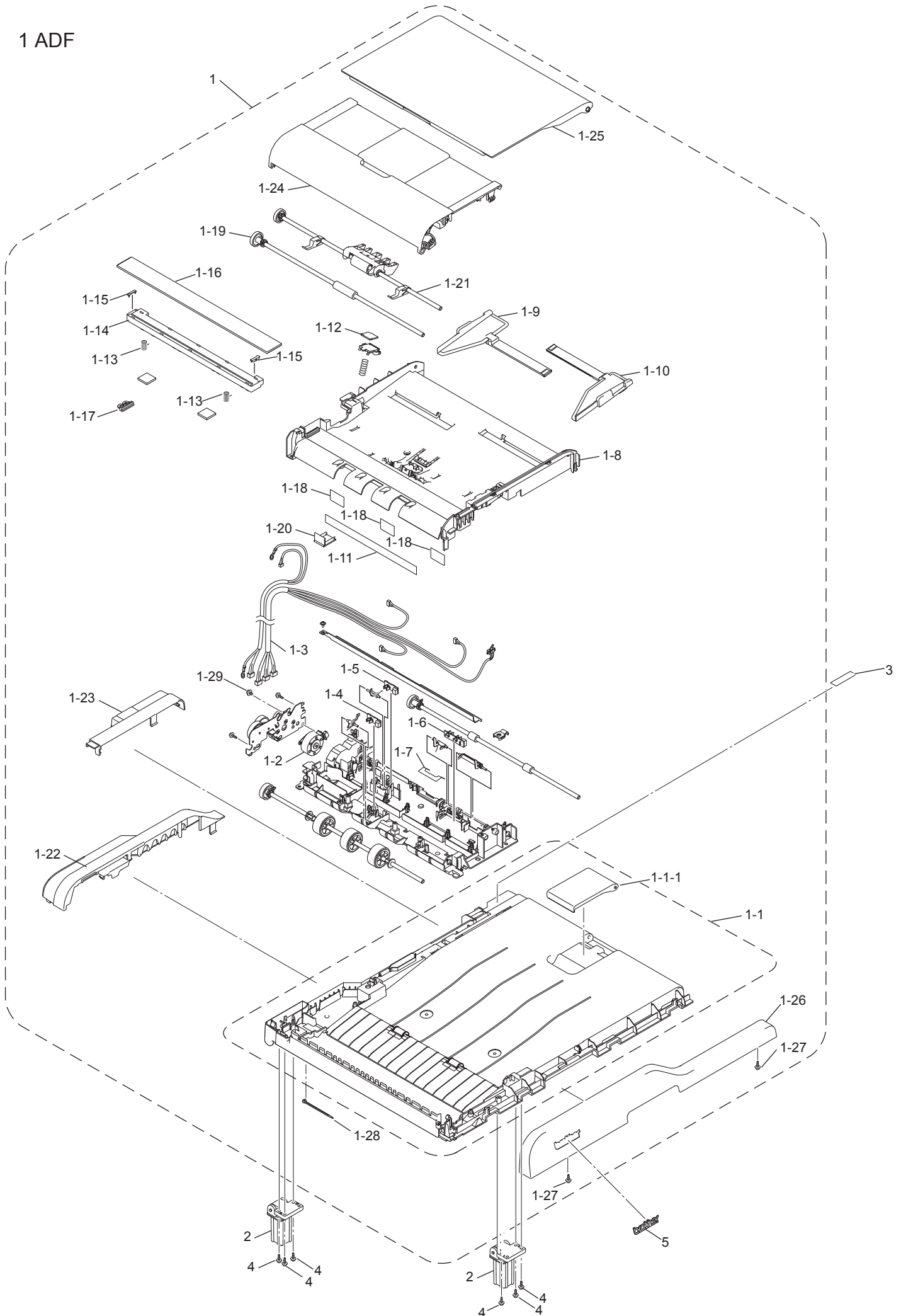
IBERIA (SPAIN & PORTUGAL) ---- IBR

CEE GENERAL --- CEE

# CONTENTS

1.	<u>ADF</u> .....	1
2.	<u>SCANNER</u> .....	3
3.	<u>ENGINE</u> .....	5
4.	<u>CARTRIDGE CASE</u> .....	7
5.	<u>HEAD</u> .....	9
6.	<u>PAPER TRAY</u> .....	11
7.	<u>LOWER TRAY</u> .....	13
8.	<u>COVER</u> .....	15
9.	<u>PANEL</u> .....	17
10.	<u>PCB</u> .....	20
11.	<u>ACCESSORIES</u> .....	22
12.	<u>PRINTED MATERIALS</u> .....	24
13.	<u>PACKAGING</u> .....	26
14.	<u>OTHERS</u> .....	29

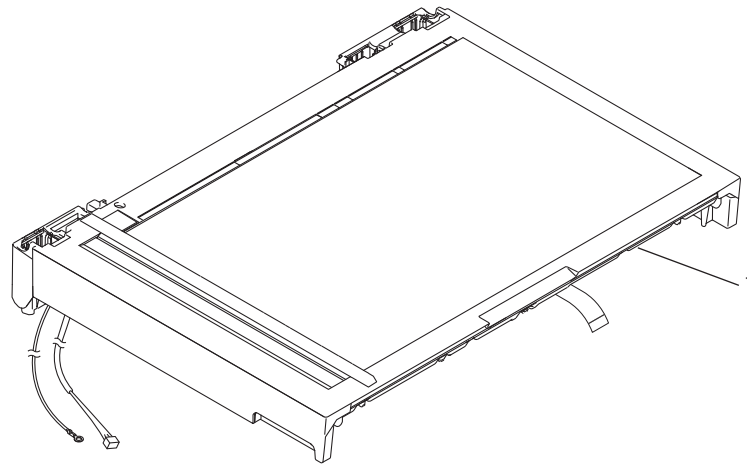
1 ADF



## List1(ADF)

REF No.	CODE	Q'TY	DESCRIPTION	RECOMMEND	SYMBOL	REMARKS
1	LX6873001	1	ADF & DOCUMENT COVER ASSY (SP), MFC-J6510DW/MFC-J6710DW			
1	LX7213001	1	ADF UNIT ASSY (SP), MFC-J6910DW			
1-1	LX3809001	1	DOCUMENT COVER ASSY			
1-1-1	LX3812007	1	DOCUMENT STOPPER			
1-2	LS4414001	1	ADF MOTOR			
1-3	LT1224001	1	ADF HARNESS UNIT, MFC-J6510DW/MFC-J6710DW			
1-3	LT1223001	1	ADF HARNESS UNIT, MFC-J6910DW			
1-4	LG6753001	1	DOCUMENT SCANNING POSITION SENSOR PCB (FIRST SIDE SCANNING)		B53K928	
1-5	LG6753001	1	DOCUMENT SCANNING POSITION SENSOR PCB (SECOND SIDE SCANNING), MFC-J6910DW		B53K928	
1-6	LT1120001	1	DOCUMENT DETECTION/WIDTH SENSOR PCB		B57U063	
1-7	LX3825001	1	EJECTION FILM			
1-8	LX3827007	1	UPPER ADF CHUTE			
1-9	LX3828007	1	DOCUMENT GUIDE R			
1-10	LX3829007	1	DOCUMENT GUIDE F			
1-11	LX3830001	1	ANTISTATIC BRUSH			
1-12	LX3833001	1	SEPARATION PAD			
1-13	LX4099001	2	CIS SPRINGS, MFC-J6910DW			
1-14	LT1031001	1	SECOND SIDE SCANNING CIS, MFC-J6910DW			
1-15	LX3856001	2	CIS SPACER, MFC-J6910DW			
1-16	LX3857001	1	COVER GLASS, MFC-J6910DW			
1-17	LX4098001	1	COVER GLASS STOPPER, MFC-J6910DW			
1-18	LX3835001	3	EJECT SUPPORT FILM			
1-19	LX3837001	1	DOCUMENT FEED ROLLER ASSY 1			
1-20	LX3858001	1	FFC CAP, MFC-J6910DW			
1-21	LX3840001	1	DOCUMENT PULL-IN SEPARATION ROLLER ASSY			
1-22	LX3843007	1	ADF REAR COVER			
1-23	LX3844007	1	FFC COVER, MFC-6510DW/MFC-6710DW			
1-23	LX3859007	1	FFC COVER, MFC-J6910DW			
1-24	LX3845001	1	ADF COVER ASSY, MFC-J6510DW/MFC-J6710DW			
1-24	LX3860001	1	ADF COVER ASSY, MFC-J6910DW			
1-25	LX3847004	1	DOCUMENT SUPPORT			
1-26	LX3848007	1	ADF FRONT COVER			
1-27	087311016	2	TAPTITE CUP B M3X10			
1-28	SA6003001	1	CABLE TIE			
1-29	0A4300606	1	SCREW PAN (S/P WASHER) M3X6			
2	LX3851001	2	HINGE			
3	LX6407001	1	BYPASS TRAY LABEL			
4	087311016	6	TAPTITE CUP B M3X10			
5	LX7150001	1	EMBLEM BROTHER			

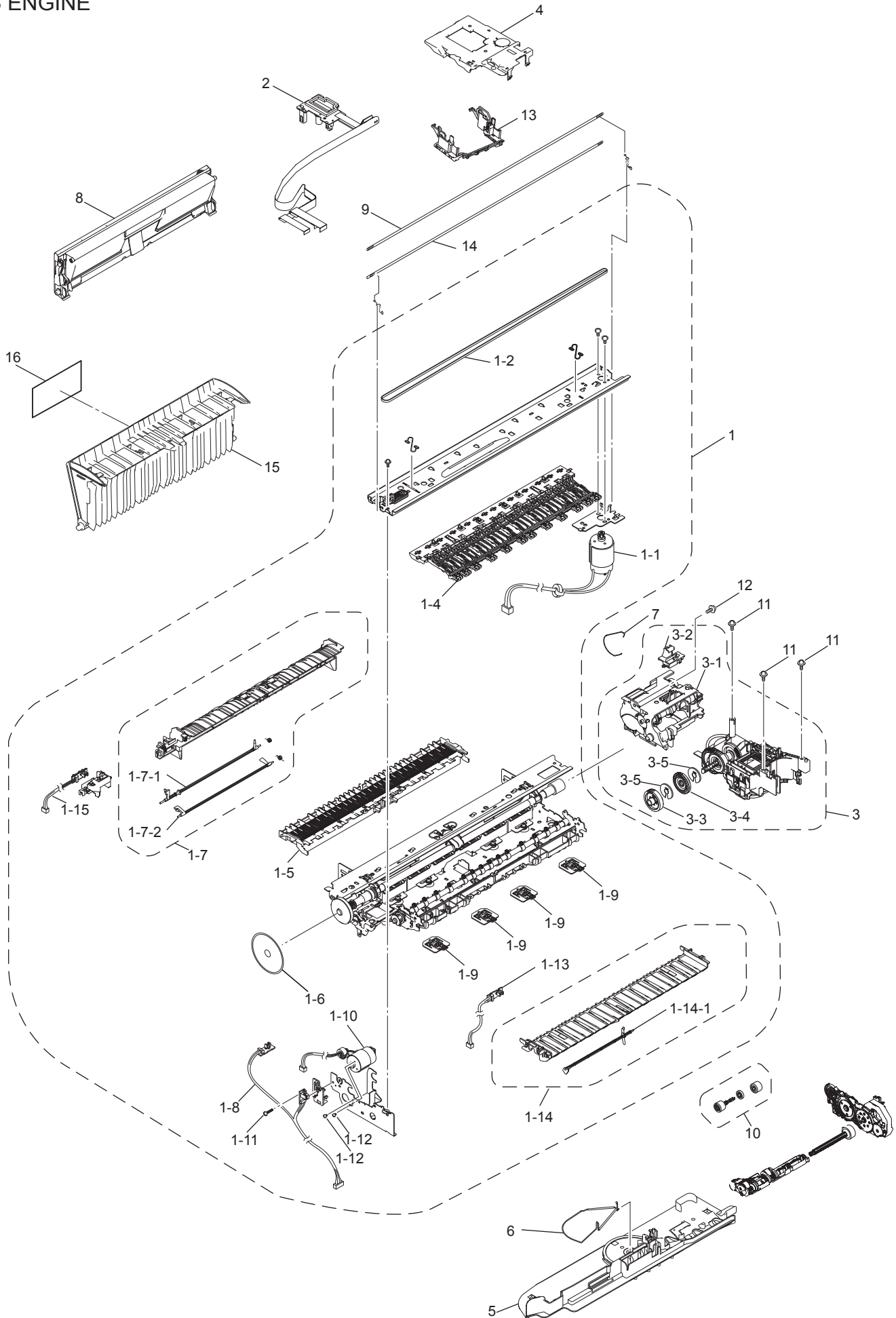
## 2 SCANNER



## List2(SCANNER)

REF No.	CODE	Q'TY	DESCRIPTION	RECOMMEND	REMARKS
1	LX6874001	1	SCANNER UNIT ASSY (SP), MFC-J6510DW/MFC-J6710DW		
1	LX7887001	1	SCANNER UNIT ASSY (SP), MFC-J6910DW		

# 3 ENGINE

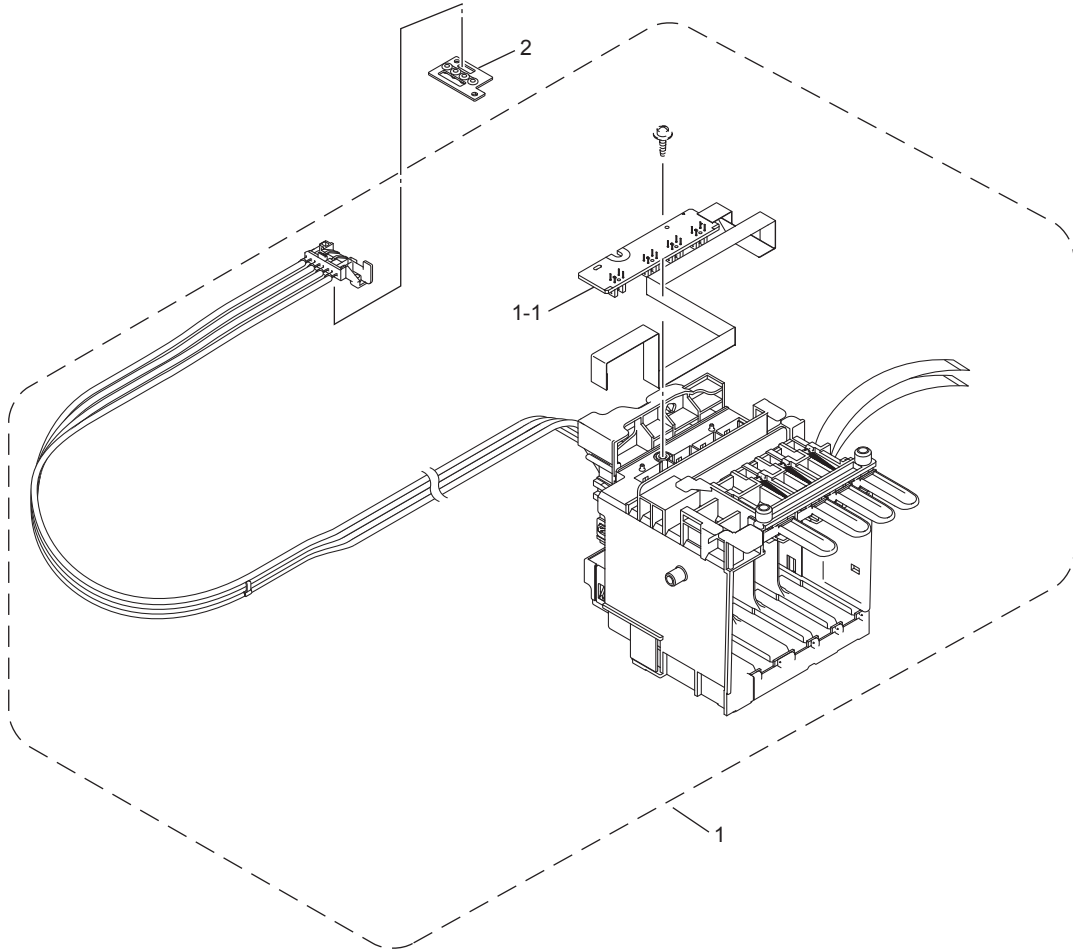




## List3(ENGINE)

REF No.	CODE	Q'TY	DESCRIPTION	RECOMMEND	SYMBOL	REMARKS
1	LX7217001	1	ENGINE UNIT ASSY (SP)			
1-1	LX3323001	1	CARRIAGE MOTOR			
1-2	LX3324001	1	CR TIMING BELT			
<del>1-3</del>	<del>LX3325001</del>	<del>4</del>	<del>CR ENCODER STRIP</del>			del
1-4	LX3245001	1	STAR WHEEL HOLDER ASSY			
1-5	LX3248001	1	PLATEN ASSY			
1-6	LP1471001	1	PF ENCODER DISK			
1-7	LX3424001	1	INNER CHUTE ASSY			
1-7-1	LX3426001	1	REGISTRATION SENSOR ACTUATOR			
1-7-2	LX3428001	1	PAPER FEED SENSOR ACTUATOR			
1-8	LT1060001	1	PF ENCODER / PF SENSOR HARNESS UNIT			
1-9	LX3479001	4	DX CHUTE ROLLER HOLDER ASSY			
1-10	LX3275001	1	PAPER FEED MOTOR UNIT			
1-11	000021206	1	SCREW BIND M2X12			
1-12	LS4781001	2	SCREW BIND M2.6X4			
1-13	LT1062001	1	SWITCHBACK PAPER SENSOR PCB ASSY		B53K857	
1-14	LX3285001	1	INNER PAPER GUIDE ASSY			
1-14-1	LX3287001	1	SWITCH BACK PAPER DETECTION ACTUATOR			
1-15	LT1241001	1	REGISTRATION SENSOR PCB ASSY		B53K857	
2	LX7223001	1	CARRIAGE PCB ASSY (SP)			
3	LX6875001	1	MAINTENANCE UNIT ASSY (SP)			
3-1	LX3400001	1	ASF DRIVE ASSY			
3-2	LX3422001	1	SWITCHING LEVER GUIDE			
3-3	LX3419001	1	ASF SWITCHING GEAR A			
3-4	LX3420001	1	ASF SWITCHING GEAR B			
3-5	LX3421001	2	RESIN RETAINING RING			
4	LX3339001	1	HEAD COVER ASSY			
5	LX8497007	1	TUBE SUPPORT PLATE			chg
6	LX3344001	1	SUPPORT WIRE ASSY			
7	LX3423001	1	EARTH SPRING			
8	LX3507001	1	MANUAL FEED SLOT COVER ASSY			
9	LX3327001	1	ENCODER STRIP GUARD FILM			
10	LX0126001	1	T1 PAPER PULL-IN ROLLER ASSY			
11	087311016	3	TAPTITE CUP B M3X10			
12	087320616	1	TAPTITE CUP S M3X6			
13	LX8279001	1	LEVELER ROLLER ASSY			CHG
14	LX3325001	1	CR ENCODER STRIP			add
15	LX3439007	1	JAM CLEAR COVER			
16	LX6185001	1	JAM CLEAR LABEL			

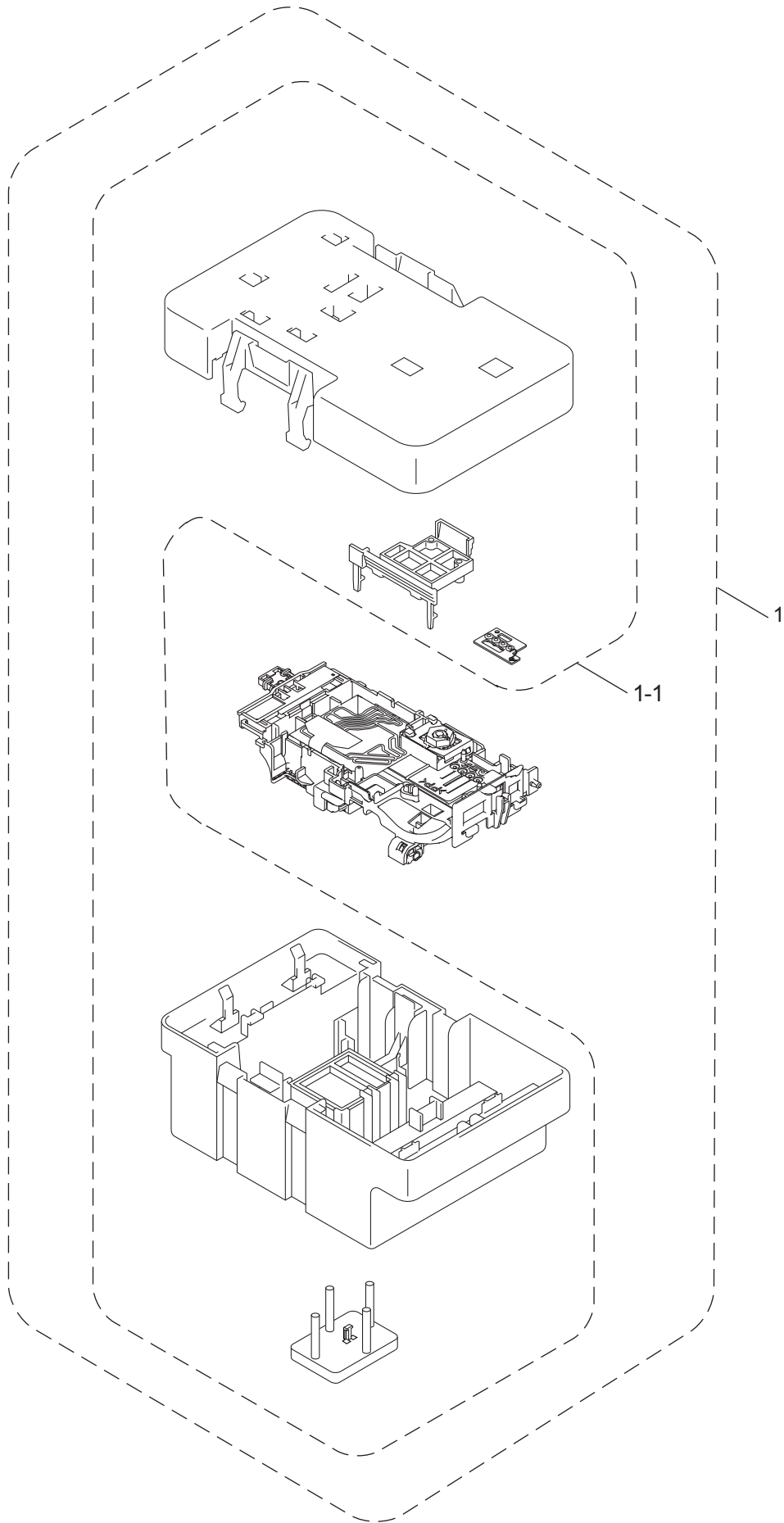
# 4 CARTRIDGE CASE



## List4(CARTRIDGE CASE)

REF No.	CODE	Q'TY	DESCRIPTION	RECOMMEND	SYMBOL	REMARKS
1	LK5792001	1	INK REFILL ASSY (SP) EXCEPT FOR CHN/IDN			
1	LK6301001	1	INK REFILL ASSY (SP) FOR CHN/IDN			
1-1	LK5136001	1	INK CARTRIDGE DETECTION SENSOR PCB		B57C014	
2	LK5793001	1	HEAD JOINT RUBBER (SP)			

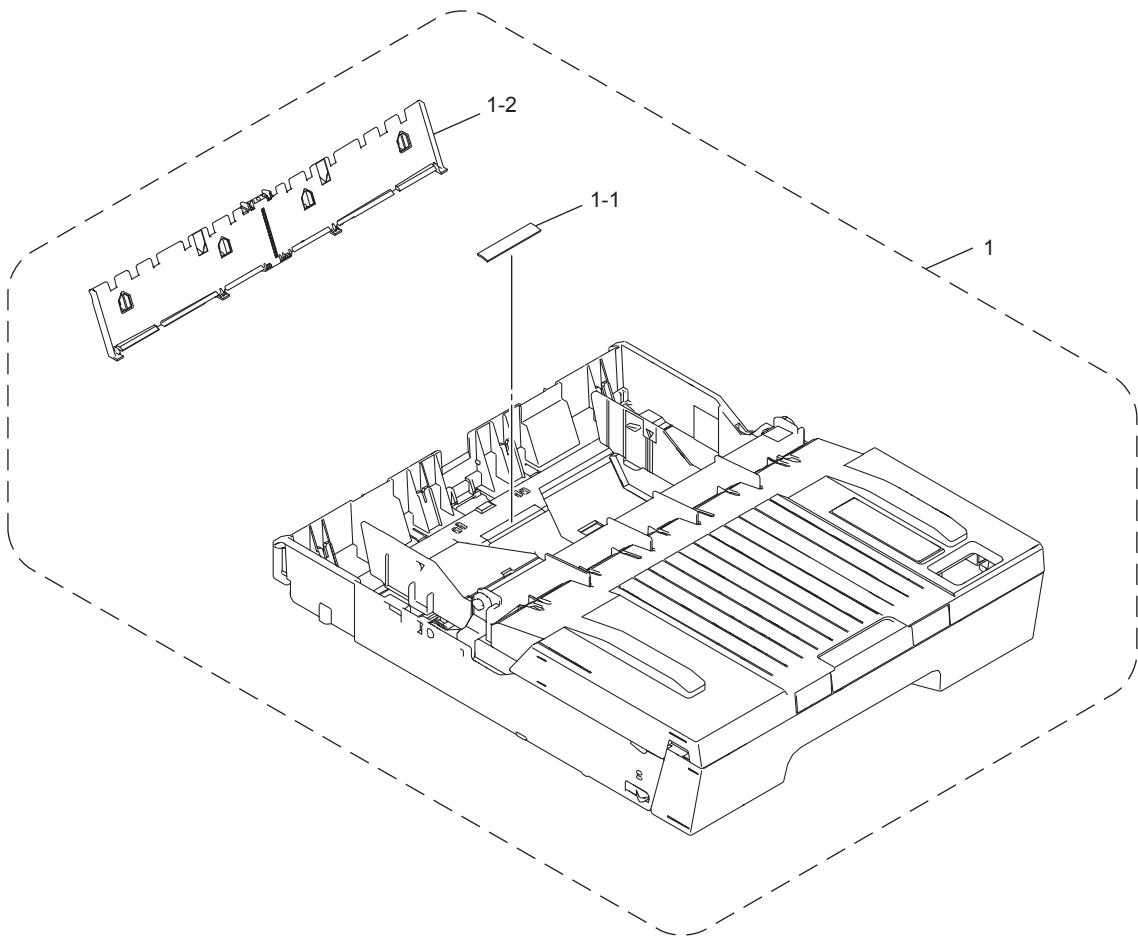
5 HEAD



## List5(HEAD)

REF No.	CODE	Q'TY	DESCRIPTION	RECOMMEND	REMARKS
1	LK5374001	1	HEAD/CARRIAGE UNIT SUPPLY ASSY(SP) (without CARRIAGE PCB ASSY)		
1-1	LK5391001	1	PROTECTOR SUPPLY ASSY BH11(SP)		

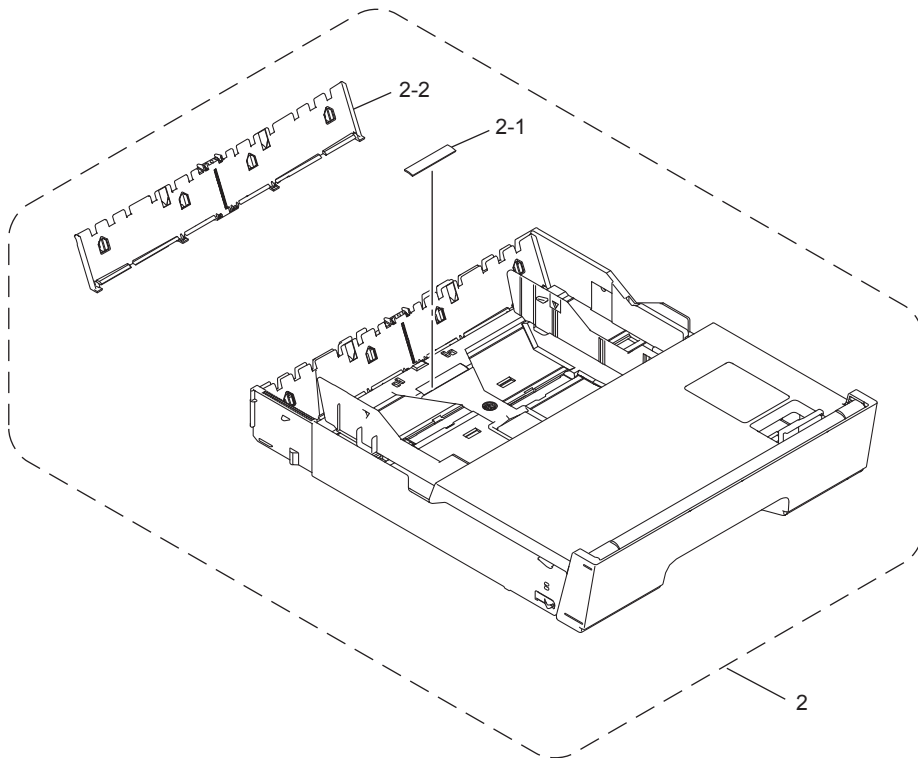
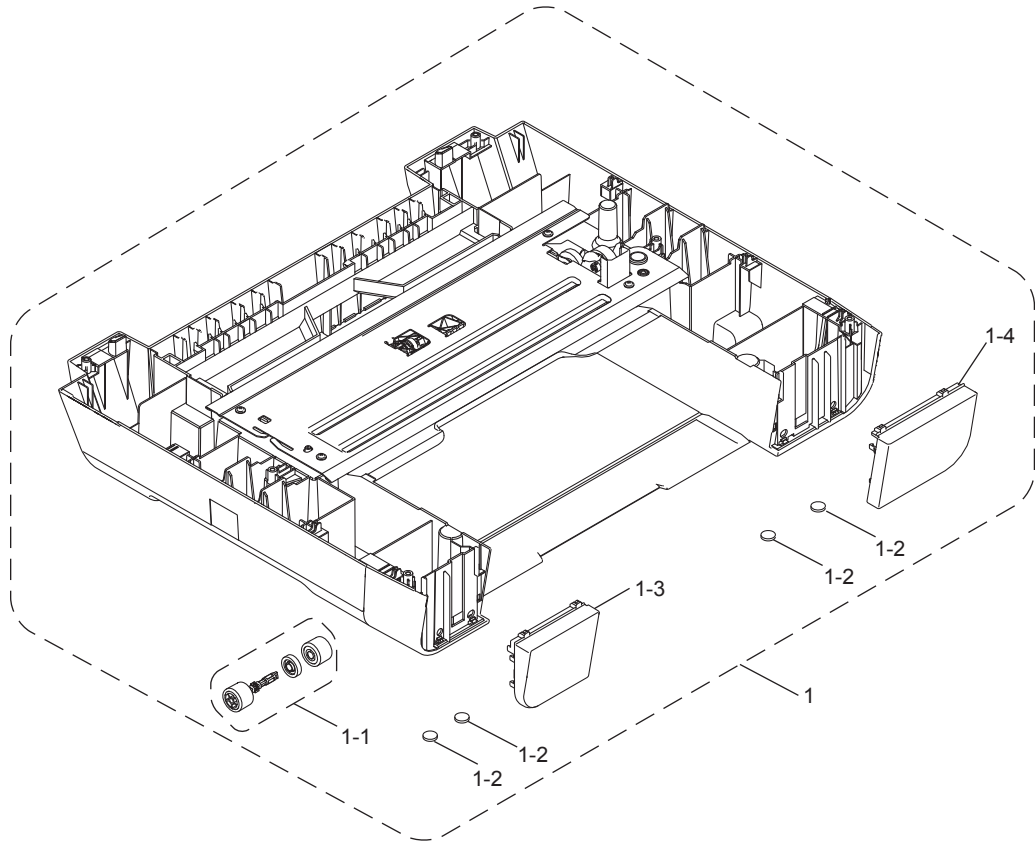
## 6 PAPER TRAY



List6(PAPER TRAY)

REF No.	CODE	Q'TY	DESCRIPTION	RECOMMEND	REMARKS
1	LX6476001	1	PAPER TRAY ASSY #1 (SP)		
1-1	LX3530001	1	BASE PAD		
1-2	LS4162001	1	BANK ASSY		

# 7 LOWER TRAY

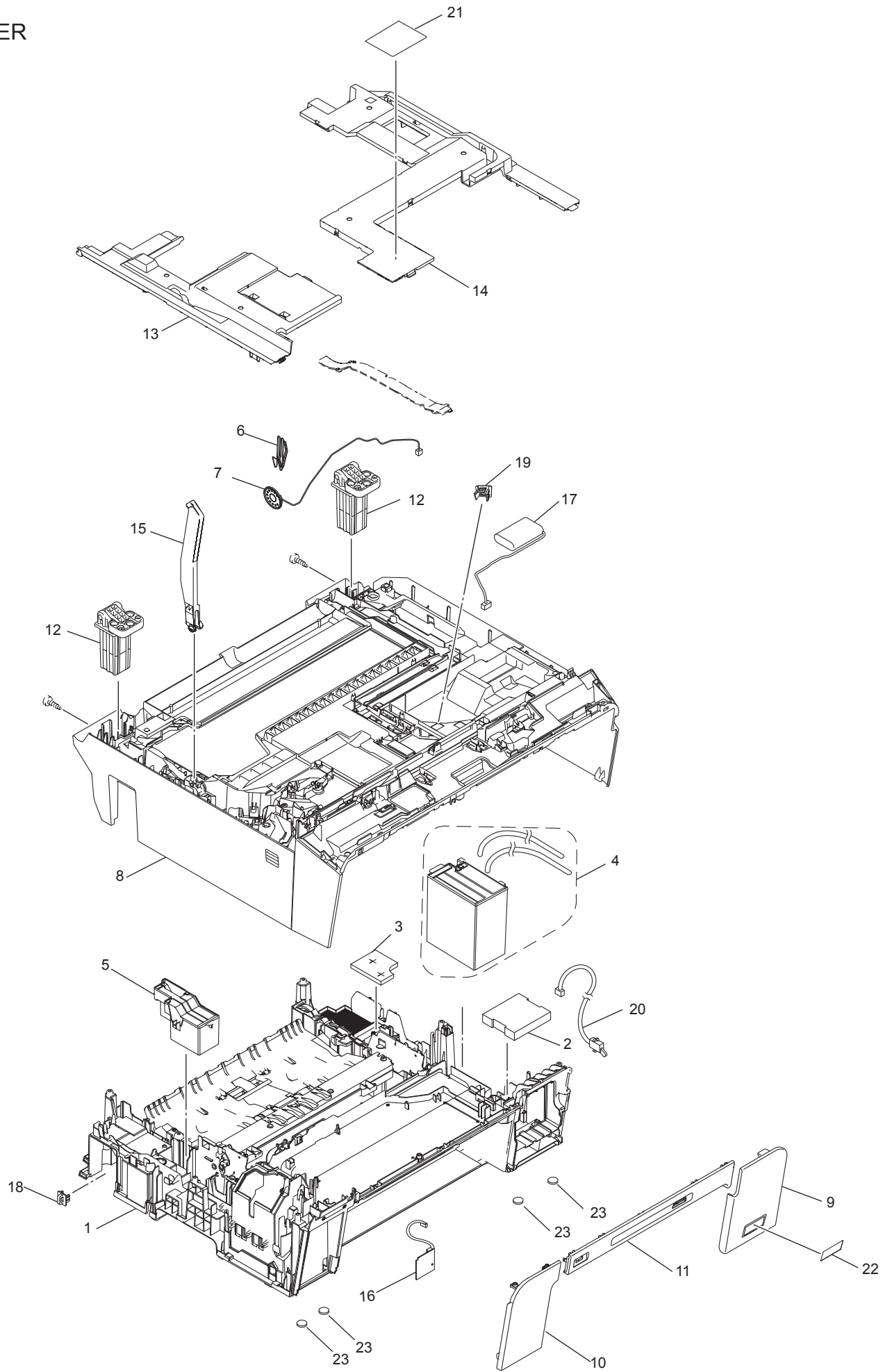




## List7(LOWER TRAY)

REF	CODE	Q'TY	DESCRIPTION	RECOMMEND	REMARK
1	LX6480001	1	LT COVER ASSY (SP), MFC-J6710DW/MFC-J6910DW		
1-1	LP1094001	1	T2 PAPER PULL-IN ROLLER ASSY, MFC-J6710DW/MFC-J6910DW		
1-2	LP1763001	4	BOTTOM RUBBER, MFC-J6710DW/MFC-J6910DW		
1-3	LX3242007	1	LT FRONT COVER L, MFC-J6710DW/MFC-J6910DW		
1-4	LX3243007	1	LT FRONT COVER R, MFC-J6710DW/MFC-J6910DW		
2	LX6479001	1	PAPER TRAY ASSY #2 (SP), MFC-J6710DW/MFC-J6910DW		
2-1	LX3530001	1	BASE PAD, MFC-J6710DW/MFC-J6910DW		
2-2	LS4162001	1	BANK ASSY, MFC-J6710DW/MFC-J6910DW		

# 8 COVER

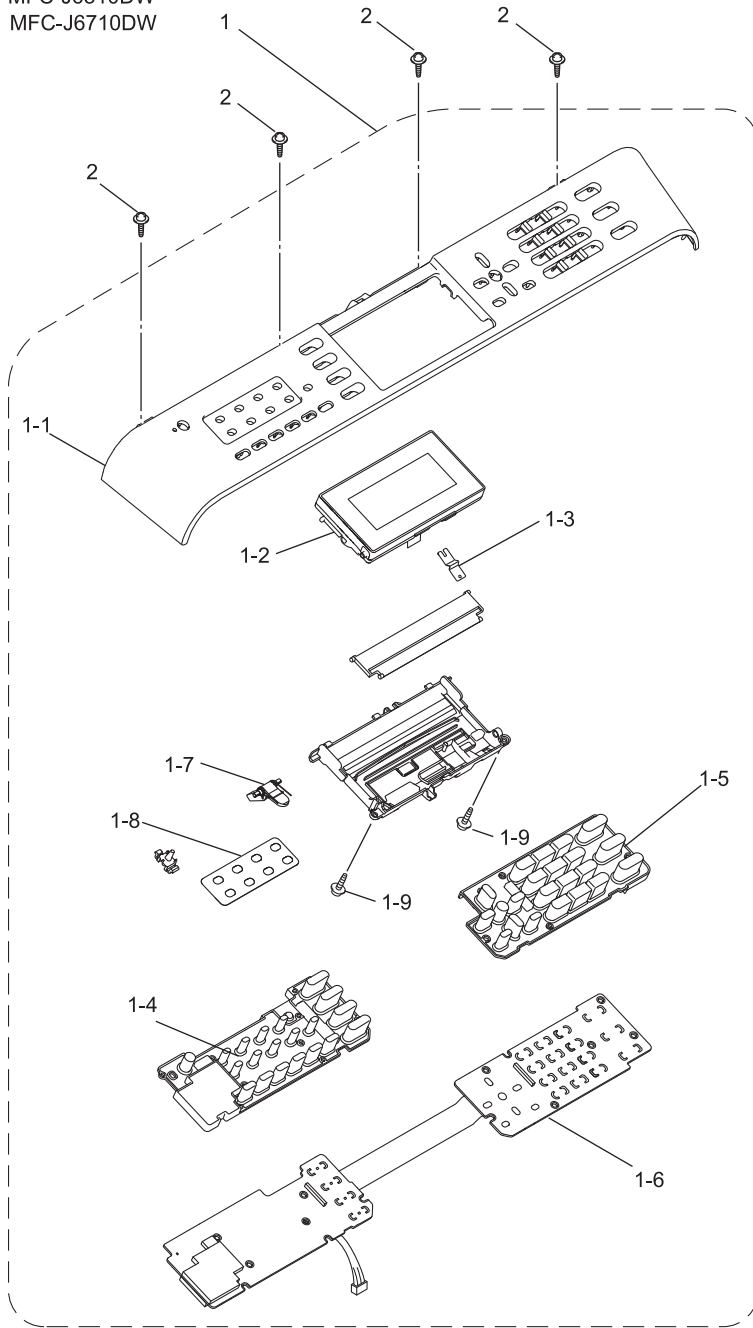


## List8(COVER)

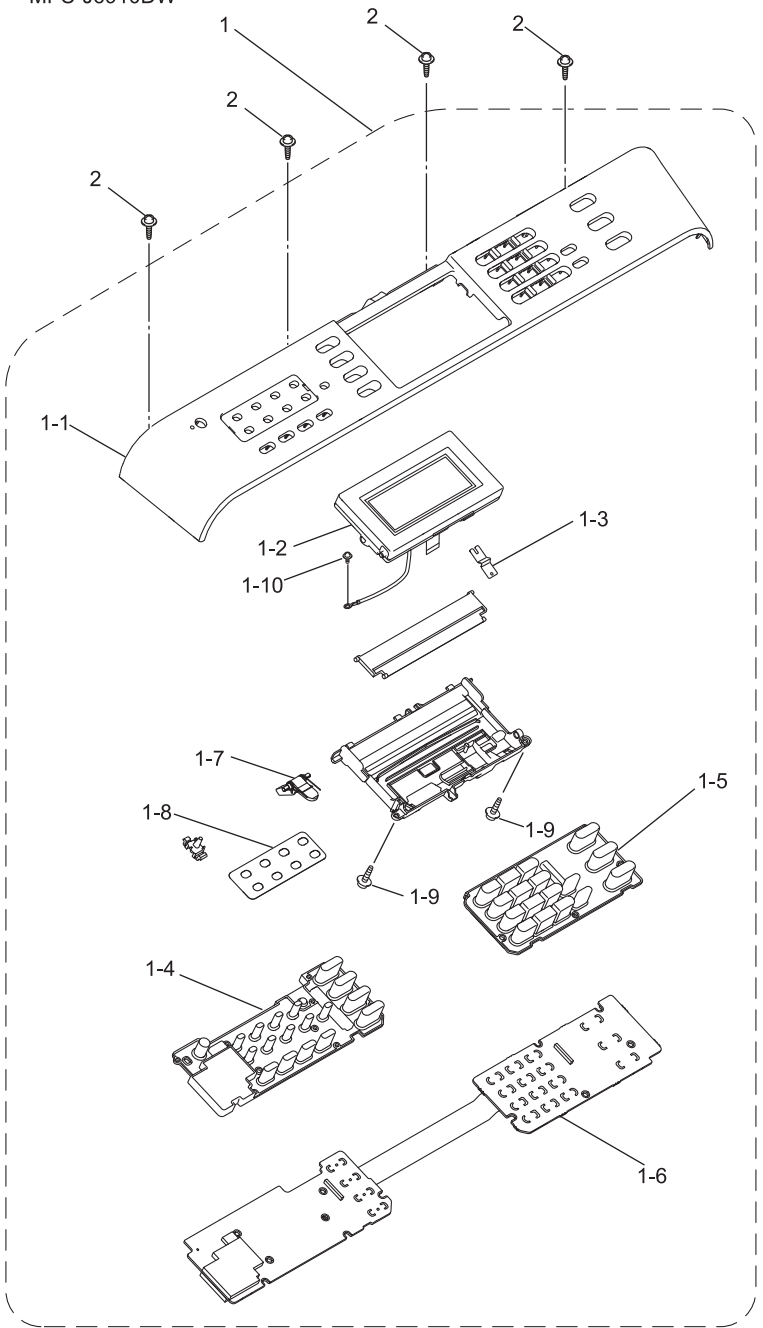
REF	CODE	Q'TY	DESCRIPTION	RECOMMEND	SYMBOL	REMARKS
1	LX3882007	1	LOWER COVER, MFC-J6510DW			
1	LX3881007	1	LOWER COVER, MFC-J6710DW/MFC-J6910DW			
2	LX3883001	1	INK ABSORBER FELT (INK ABSORBER BOX)			
3	LX3884001	1	INK ABSORBER FELT (MAINTENANCE UNIT)			
4	LX6684001	1	INK ABSORBER TUBE ASSY (SP)			
5	LX3890001	1	FLUSHING BOX	√		
6	LX3897001	1	SPEAKER SPRING			
7	LT1260001	1	SPEAKER			
8	LX3902007	1	UPPER COVER, MFC-J6510DW			
8	LX3901007	1	UPPER COVER, MFC-J6710DW/MFC-J6910DW			
9	LX3903007	1	INK CARTRIDGE COVER			
10	LX3904007	1	FRONT COVER			
11	LX3905001	1	MEDIA MODULE COVER, MFC-J6510DW/MFC-J6710DW			
11	LX7037001	1	MEDIA MODULE COVER, MFC-J6910DW			
12	LX3907001	2	SCANNER HINGE			
13	LX3908007	1	HARNES COVER			
14	LX3909007	1	CIS FLAT CABLE COVER			
15	LX3911007	1	SCANNER COVER SUPPORT			
16	LT1401001	1	WLAN PCB	√		
17	A63131001	1	BACKUP BATTERY EXCEPT FOR OCE			
17	A63137001	1	BACKUP BATTERY FOR OCE			
18	LE8842001	1	EXT CAP FOR US/CAN/NLD/CHE/CHN/TWN/ZAF/HK/IDN/ARG/CHL/POL/SIN/GUL/ BRA/KOR/RUS/OCE/PND/IBR/CEE			
18	UF5745000	1	MJ COVER EXT FOR GER/UK/FRA/BEL/AUS/ITA			
19	LY0872001	1	LAN PORT CAP			
20	LT1165001	1	INK CARTRIDGE COVER SWITCH ASSY			
21	LX6186001	1	FB CLOSE CAUTION LABEL			
22	LX3721001	1	INNOBELLA LABEL FOR US			
22	LX3722001	1	INNOBELLA LABEL EXCEPT FOR US			
23	LP1763001	4	BOTTOM RUBBER, MFC-J6510DW			

# 9 Panel

MFC-J6510DW  
MFC-J6710DW



MFC-J6910DW



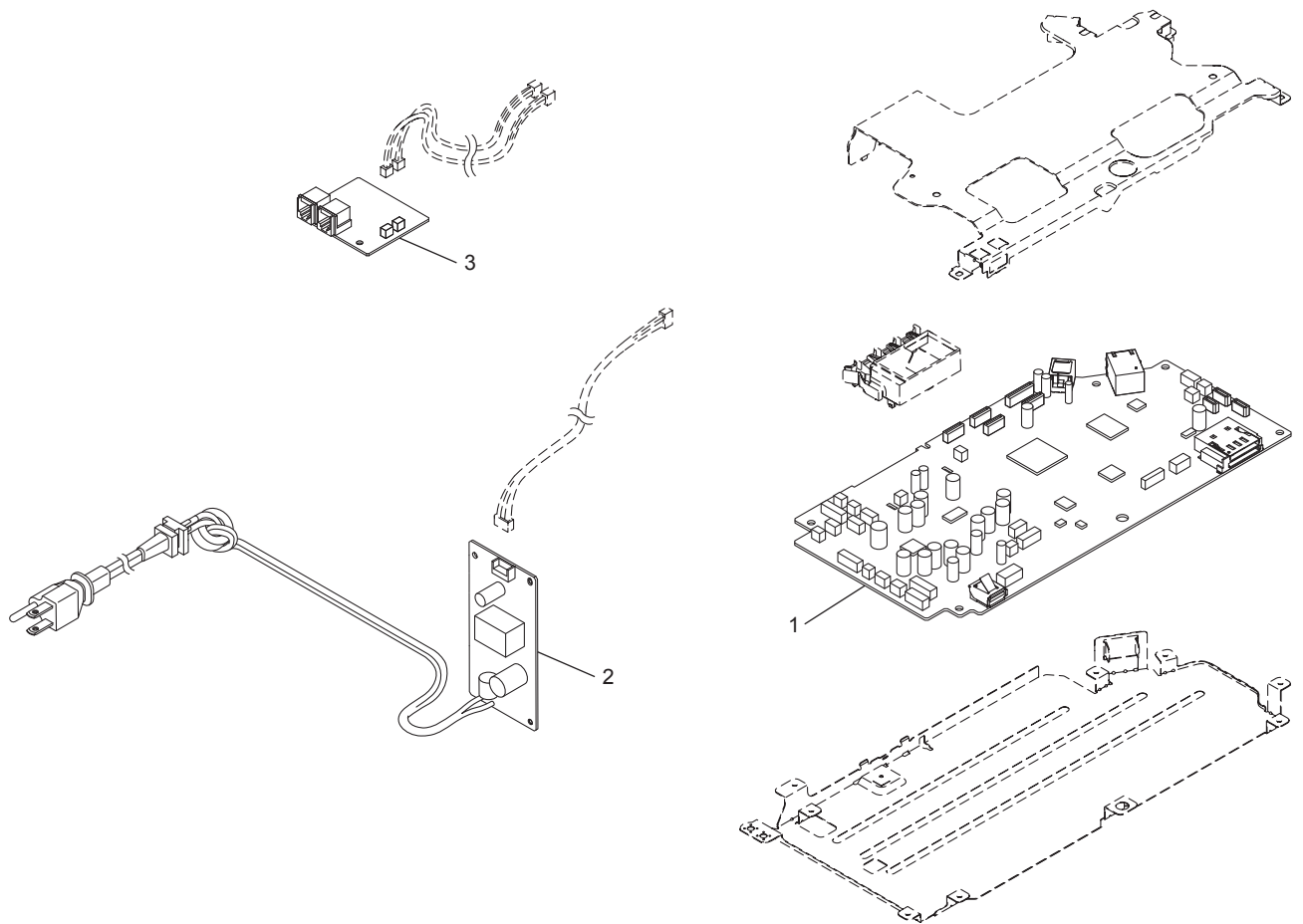
## List9(PANEL)

REF No.	CODE	Q'TY	DESCRIPTION	RECOMMEND	SYMBOL	REMARKS
1	LX6134001	1	CONTROL PANEL ASSY, MFC-J6510DW FOR US/CAN	√		
1	LX3966001	1	CONTROL PANEL ASSY, MFC-J6710DW FOR US/CAN	√		
1	LX6651001	1	CONTROL PANEL ASSY, MFC-J6910DW FOR US/CAN	√		
1	LX7620001	1	CONTROL PANEL ASSY, MFC-J6510DW FOR GER/AUS	√		
1	LX7354001	1	CONTROL PANEL ASSY, MFC-J6710DW FOR GER/AUS	√		
1	LX7641001	1	CONTROL PANEL ASSY, MFC-J6910DW FOR GER/AUS	√		
1	LX6383001	1	CONTROL PANEL ASSY, MFC-J6510DW FOR UK/BEL/CHE/ZAF/CEE	√		
1	LX6389001	1	CONTROL PANEL ASSY, MFC-J6710DW FOR UK/BEL/CHE	√		
1	LX6503001	1	CONTROL PANEL ASSY, MFC-J6910DW FOR UK/BEL/CHE/PND/CEE	√		
1	LX7624001	1	CONTROL PANEL ASSY, MFC-J6510DW FOR FRA	√		
1	LX7364001	1	CONTROL PANEL ASSY, MFC-J6710DW FOR FRA	√		
1	LX7708001	1	CONTROL PANEL ASSY, MFC-J6910DW FOR FRA	√		
1	LX7811001	1	CONTROL PANEL ASSY, MFC-J6510DW FOR NLD	√		
1	LX7778001	1	CONTROL PANEL ASSY, MFC-J6710DW FOR NLD	√		
1	LX7845001	1	CONTROL PANEL ASSY, MFC-J6910DW FOR NLD	√		
1	LX7629001	1	CONTROL PANEL ASSY, MFC-J6510DW FOR ITA	√		
1	LX7713001	1	CONTROL PANEL ASSY, MFC-J6910DW FOR ITA	√		
1	LX8315001	1	CONTROL PANEL ASSY, MFC-J6710DW FOR CHN	√		
1	LX8321001	1	CONTROL PANEL ASSY, MFC-J6910DW FOR CHN	√		
1	LX8220001	1	CONTROL PANEL ASSY, MFC-J6710DW FOR TWN/HK	√		
1	LX8507001	1	CONTROL PANEL ASSY, MFC-J6910DW FOR TWN	√		
1	LX8202001	1	CONTROL PANEL ASSY, MFC-J6710DW FOR IDN/SIN/GUL/OCE	√		
1	LX8204001	1	CONTROL PANEL ASSY, MFC-J6910DW FOR IDN/SIN/GUL/OCE	√		
1	LX8020001	1	CONTROL PANEL ASSY, MFC-J6710DW FOR ARG/CHL	√		
1	LX7895001	1	CONTROL PANEL ASSY, MFC-J6510DW FOR POL	√		
1	LX7970001	1	CONTROL PANEL ASSY, MFC-J6910DW FOR POL	√		
1	LX8200001	1	CONTROL PANEL ASSY, MFC-J6510DW FOR SIN/GUL/OCE	√		
1	LX8064001	1	CONTROL PANEL ASSY, MFC-J6510DW FOR BRA	√		
1	LX8070001	1	CONTROL PANEL ASSY, MFC-J6710DW FOR BRA	√		
1	LX8222001	1	CONTROL PANEL ASSY, MFC-J6710DW FOR KOR	√		
1	LX7904001	1	CONTROL PANEL ASSY, MFC-J6510DW FOR RUS	√		
1	LX7974001	1	CONTROL PANEL ASSY, MFC-J6910DW FOR RUS	√		
1	LX7833001	1	CONTROL PANEL ASSY, MFC-J6510DW FOR PND	√		
1	LX7786001	1	CONTROL PANEL ASSY, MFC-J6710DW FOR PND	√		
1	LX7633001	1	CONTROL PANEL ASSY, MFC-J6510DW FOR IBR	√		
1	LX7369001	1	CONTROL PANEL ASSY, MFC-J6710DW FOR IBR	√		
1	LX7717001	1	CONTROL PANEL ASSY, MFC-J6910DW FOR IBR	√		
1-1	LX6133001	1	CONTROL PANEL BASE, MFC-J6510DW FOR US/CAN			
1-1	LX3733001	1	CONTROL PANEL BASE, MFC-J6710DW FOR US/CAN			
1-1	LX3746001	1	CONTROL PANEL BASE, MFC-J6910DW FOR US/CAN			
1-1	LX7621001	1	CONTROL PANEL BASE, MFC-J6510DW FOR GER/AUS			
1-1	LX7355001	1	CONTROL PANEL BASE, MFC-J6710DW FOR GER/AUS			
1-1	LX7701001	1	CONTROL PANEL BASE, MFC-J6910DW FOR GER/AUS			
1-1	LX6384001	1	CONTROL PANEL BASE, MFC-J6510DW FOR UK/BEL/CHE/ZAF/CEE			
1-1	LX6386001	1	CONTROL PANEL BASE, MFC-J6710DW FOR UK/BEL/CHE			
1-1	LX6501001	1	CONTROL PANEL BASE, MFC-J6910DW FOR UK/BEL/CHE/PND/CEE			
1-1	LX7625001	1	CONTROL PANEL BASE, MFC-J6510DW FOR FRA			
1-1	LX7365001	1	CONTROL PANEL BASE, MFC-J6710DW FOR FRA			
1-1	LX7710001	1	CONTROL PANEL BASE, MFC-J6910DW FOR FRA			
1-1	LX7812001	1	CONTROL PANEL BASE, MFC-J6510DW FOR NLD			
1-1	LX7779001	1	CONTROL PANEL BASE, MFC-J6710DW FOR NLD			
1-1	LX7846001	1	CONTROL PANEL BASE, MFC-J6910DW FOR NLD			
1-1	LX7630001	1	CONTROL PANEL BASE, MFC-J6510DW FOR ITA			
1-1	LX7714001	1	CONTROL PANEL BASE, MFC-J6910DW FOR ITA			
1-1	LX7645001	1	CONTROL PANEL BASE, MFC-J6710DW FOR CHN			
1-1	LX7646001	1	CONTROL PANEL BASE, MFC-J6910DW FOR CHN			
1-1	LX8221001	1	CONTROL PANEL BASE, MFC-J6710DW FOR TWN/HK			
1-1	LX8508001	1	CONTROL PANEL BASE, MFC-J6910DW FOR TWN			
1-1	LX8203001	1	CONTROL PANEL BASE, MFC-J6710DW FOR IDN/SIN/GUL/OCE			
1-1	LX8205001	1	CONTROL PANEL BASE, MFC-J6910DW FOR IDN/SIN/GUL/OCE			
1-1	LX7896001	1	CONTROL PANEL BASE, MFC-J6510DW FOR POL			
1-1	LX7971001	1	CONTROL PANEL BASE, MFC-J6910DW FOR POL			
1-1	LX8201001	1	CONTROL PANEL BASE, MFC-J6510DW FOR SIN/GUL/OCE			
1-1	LX8065001	1	CONTROL PANEL BASE, MFC-J6510DW FOR BRA			
1-1	LX8071001	1	CONTROL PANEL BASE, MFC-J6710DW FOR BRA			
1-1	LX8223001	1	CONTROL PANEL BASE, MFC-J6710DW FOR KOR			
1-1	LX7905001	1	CONTROL PANEL BASE, MFC-J6510DW FOR RUS			
1-1	LX7975001	1	CONTROL PANEL BASE, MFC-J6910DW FOR RUS			
1-1	LX7834001	1	CONTROL PANEL BASE, MFC-J6510DW FOR PND			
1-1	LX7787001	1	CONTROL PANEL BASE, MFC-J6710DW FOR PND			
1-1	LX7634001	1	CONTROL PANEL BASE, MFC-J6510DW FOR IBR			
1-1	LX7370001	1	CONTROL PANEL BASE, MFC-J6710DW FOR IBR			
1-1	LX7718001	1	CONTROL PANEL BASE, MFC-J6910DW FOR IBR			

## List9(PANEL)

REF No.	CODE	Q'TY	DESCRIPTION	RECOMMEND	SYMBOL	REMARKS
1-2	LX6132001	1	LCD UNIT, MFC-J6510DW			
1-2	LX3967001	1	LCD UNIT, MFC-J6710DW			
1-2	LX6500001	1	COLOR LCD UNIT, MFC-J6910DW			
1-3	LX3761001	1	LATCH SPRING			
1-4	LX3738001	1	RUBBER KEY L, MFC-J6510DW/MFC-J6710DW			
1-4	LX3753001	1	RUBBER KEY L, MFC-J6910DW			
1-5	LX3740001	1	RUBBER KEY R, MFC-J6510DW/MFC-J6710DW			
1-5	LX3755001	1	RUBBER KEY R, MFC-J6910DW			
1-6	LT1222001	1	CONTROL PANEL PCB ASSY, MFC-J6510DW/MFC-J6710DW			
1-6	LT1220001	1	CONTROL PANEL PCB ASSY, MFC-J6910DW			
1-7	LS4751001	1	SCANNER COVER SENSOR ACTUATOR			
1-8	LX3984001	1	ADDRESS LABEL			
1-9	087311016	2	TAPTITE CUP B M3X10			
1-10	087320616	1	TAPTITE CUP S M3X6, MFC-J6910DW			
2	087311016	4	TAPTITE CUP B M3X10			

# 10 PCB

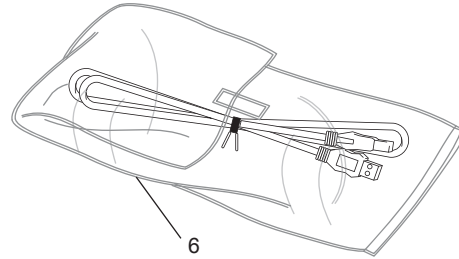
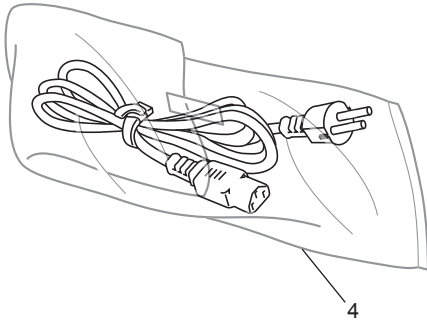
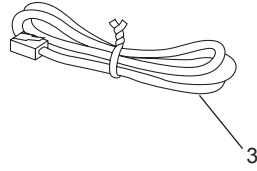
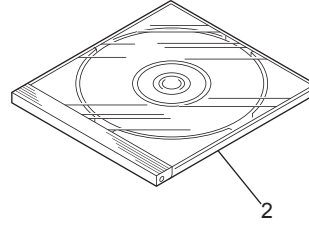
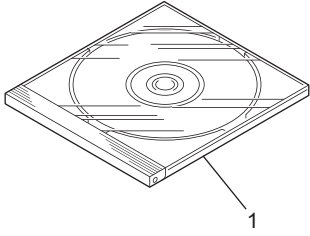


## List10(PCB)

REF	CODE	Q'TY	DESCRIPTION	RECOMMEND	SYMBOL	REMARKS
1	LT1258001	1	MAIN PCB ASSY, MFC-J6510DW/MFC-J6710DW EXCEPT FOR CHN	√	B57U047	
1	LT1283001	1	MAIN PCB ASSY, MFC-J6910DW EXCEPT FOR CHN	√	B57U047	
1	LT1258005	1	MAIN PCB ASSY, MFC-J6710DW CHN	√	B57U047	
1	LT1283005	1	MAIN PCB ASSY, MFC-J6910DW FOR CHN	√	B57U048	
2	LT1264001	1	POWER SUPPLY PCB ASSY FOR US/CAN	√		
2	LT1347001	1	POWER SUPPLY PCB ASSY EXCEPT FOR US/CAN/CHN/TWN/ZAF/IDN/BRA/RUS	√		
2	LT1692001	1	POWER SUPPLY PCB ASSY FOR CHN/IDN	√		
2	LT1686001	1	POWER SUPPLY PCB ASSY FOR TWN	√		
2	LT1672001	1	POWER SUPPLY PCB ASSY FOR ZAF/RUS	√		
2	LT1684001	1	POWER SUPPLY PCB ASSY FOR BRA	√		
3	LT1335001	1	MJ PCB ASSY FOR US/CAN/CHN/TWN/HK/IDN/ARG/CHL/SIN/GUL/OCE		B57U077	
3	LT1335004	1	MJ PCB ASSY FOR GER/UK/BEL/NLD/CHE/AUS/ITA/POL/RUS/PND/IBR/CEE		B57U077	
3	LT1335024	1	MJ PCB ASSY FOR ZAF		B57U077	
3	LT1335044	1	MJ PCB ASSY FOR BRA/KOR		B57U077	



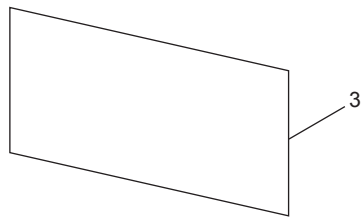
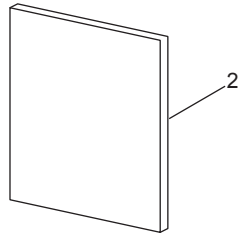
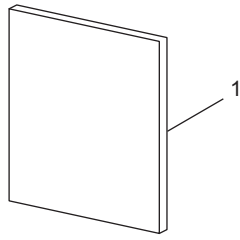
# 11 ACCESSORIES



## List11(Accessories)

REF No.	CODE	Q'TY	DESCRIPTION	RECOMMEND	REMARKS
1	LX7159001	1	CD-ROM ASSY, MFC-J6510DW FOR US/CAN/BRA		
1	LX7160001	1	CD-ROM ASSY, MFC-J6710DW FOR US/CAN/ARG/CHL/BRA		
1	LX7161001	1	CD-ROM ASSY, MFC-J6910DW FOR US/CAN		
1	LX7548001	1	CD-ROM ASSY, MFC-J6510DW FOR GER/UK/FRA/BEL/NLD/CHE/AUS/ITA/ZAF/SIN/GUL/OCE/PND/IBR		
1	LX7549001	1	CD-ROM ASSY, MFC-J6710DW FOR GER/UK/FRA/BEL/NLD/CHE/AUS/IDN/SIN/GUL/OCE/PND/IBR		
1	LX7550001	1	CD-ROM ASSY, MFC-J6910DW FOR GER/UK/FRA/BEL/NLD/CHE/AUS/ITA/IDN/SIN/GUL/OCE/PND/IBR		
1	LX8190001	1	CD-ROM ASSY, MFC-6710DW FOR CHN/TWN/HK		
1	LX8191001	1	CD-ROM ASSY, MFC-6910DW FOR CHN/TWN		
1	LX8192001	1	CD-ROM ASSY, MFC-6710DW FOR KOR		
1	LX7884001	1	CD-ROM ASSY, MFC-J6510DW FOR POL/RUS/CEE		
1	LX7886001	1	CD-ROM ASSY, MFC-J6910DW FOR POL/RUS/CEE		
2	LX7117001	4	<del>CD USER'S GUIDE, MFC-J6510DW/MFC-J6710DW EXCEPT FOR CHN/TWN/HK/KOR</del>		DEL
2	LX7122001	4	<del>CD USER'S GUIDE, MFC-J6910DW EXCEPT FOR CAN</del>		DEL
2	LX7118001	1	CD USER'S GUIDE, MFC-J6510DW/MFC-J6710DW EXCEPT FOR CHN		
2	LX7123001	1	CD USER'S GUIDE FOR MFC-J6910DW		
2	LX8095001	1	CD USER'S GUIDE, MFC-J6710DW FOR CHN		
2	LX7125001	1	CD USER'S GUIDE, MFC-J6910DW FOR CHN/IDN		
2	LX7124001	1	CD USER'S GUIDE, MFC-J6910DW FOR TWN		
3	LG3077001	1	TELEPHONE LINE CORD FOR US/CAN/UK/NLD/CHN/TWN/IDN/ZAF/ARG/CHL/POL/SIN/GUL/ BRA/KOR/RUS/OCE/IBR/CEE		
3	UG3625001	1	TELEPHONE LINE CORD FOR GER		
3	UG3626001	1	TELEPHONE LINE CORD FOR UK		
3	UG3627001	1	TELEPHONE LINE CORD FOR FRA		
3	UG1575001	1	TELEPHONE LINE CORD FOR BEL		
3	LG7202001	1	TELEPHONE LINE CORD FOR CHE		
3	UG4205001	1	TELEPHONE LINE CORD FOR AUS		
3	UG3634001	1	TELEPHONE LINE CORD FOR ITA		
3	UG3290001	1	TELEPHONE LINE CORD FOR HK/OCE		
3	LG5827001	1	TELEPHONE LINE CORD FOR PND		
4	LG5717001	1	AC CORD BAG ASSY LF VDE FOR GER/FRA/BEL/NLD/AUS/ITA/IDN/POL/SIN/GUL/RUS/PND/IBR/CEE		
4	LG5692001	1	AC CORD BAG ASSY LF UK FOR UK/HK/SIN/GUL		
4	LG5732001	1	AC CORD BAG ASSY LF SEV FOR CHE		
4	LT1404001	1	AC CORD BAG ASSY LF CCC FOR CHN		
4	LG6404001	1	AC CORD BAG ASSY LF SAF FOR ZAF		
4	LT0613001	1	AC CORD BAG ASSY LF IND FOR IDN		
4	LT0921001	1	AC CORD BAG ASSY LF ARG IRAM FOR ARG		
4	LG6426001	1	AC CORD BAG ASSY LF CHILE FOR CHL		
4	LT0935001	1	AC CORD BAG ASSY LF KOR S FOR KOR		
4	LG5734001	1	AC CORD BAG ASSY LF SAA FOR OCE		
4	LG5736001	1	AC CORD BAG ASSY LF DEMKO FOR PND		
(5)	LG3622001	1	TELEPHONE PLUG DUT FOR NLD		
(5)	LG3468000	1	TELEPHONE PLUG HK FOR HK		
(5)	LG6573001	1	TELEPHONE PLUG ARL FOR OCE		
(5)	LG5828001	1	TELEPHONE PLUG DEN FOR PND		
(5)	LG5829001	1	TELEPHONE PLUG FIN FOR PND		
(5)	LG5830001	1	TELEPHONE PLUG SWE FOR PND		
6	LP0001001	1	USB CABLE 2.0		

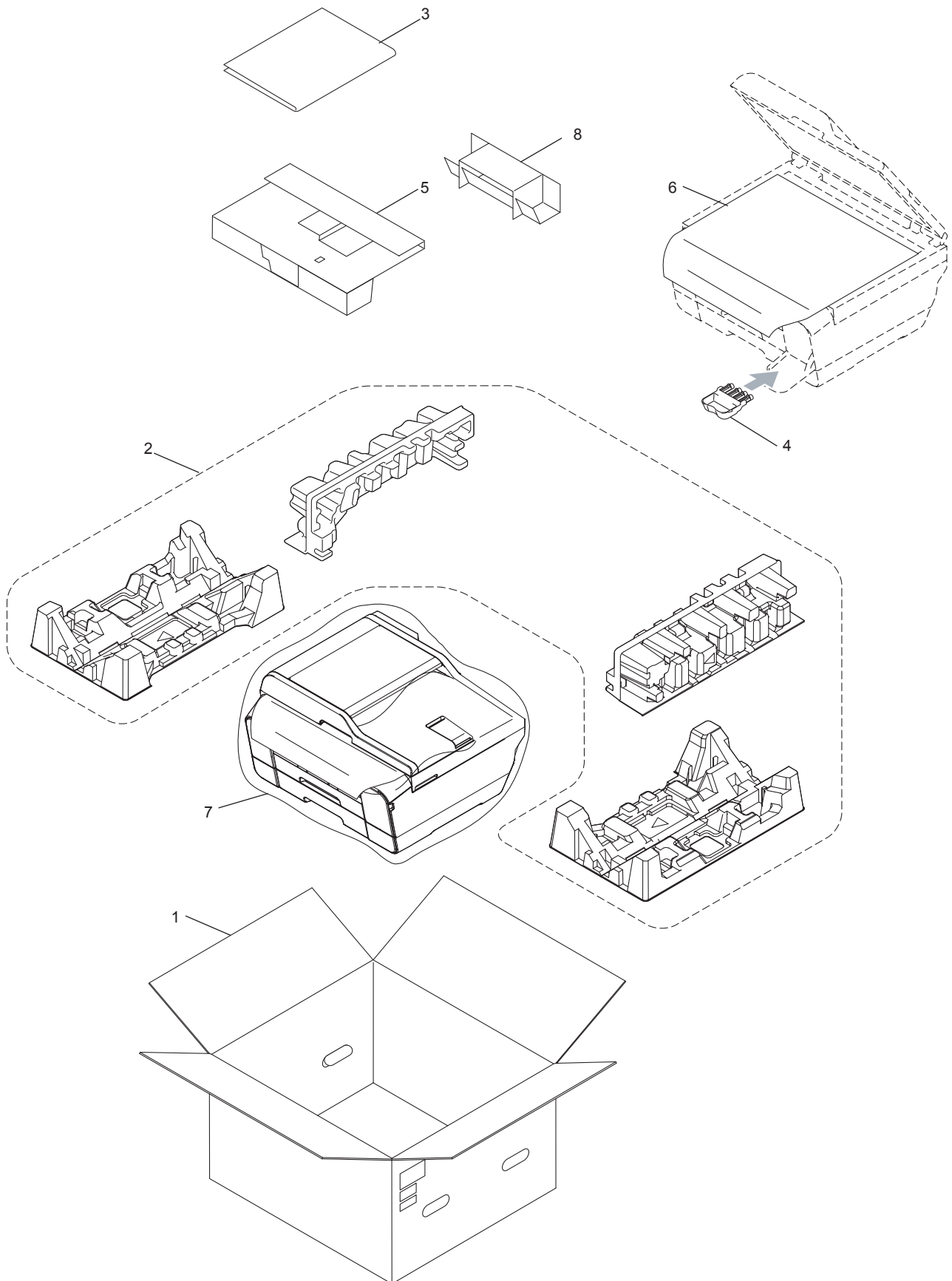
12 PRINTED MATERIALS



## List12(PRINTED MATERIALS)

REF No.	CODE	Q'TY	DESCRIPTION	RECOMMEND	REMARKS
1	LX7144001	1	USER'S GUIDE, MFC-J6510DW/MFC-J6710DW FOR US/CAN (ENGLISH)		
1	LX7947001	1	USER'S GUIDE, MFC-J6910DW FOR US/CAN (ENGLISH)		
1	LX7144002	1	USER'S GUIDE, MFC-J6510DW/MFC-J6710DW FOR CAN (FRENCH)		
1	LX7947002	1	USER'S GUIDE, MFC-J6910DW FOR CAN (FRENCH)		
1	LX7357003	1	USER'S GUIDE, MFC-J6510DW/MFC-J6710DW FOR GER/AUS		
1	LX7703003	1	USER'S GUIDE, MFC-J6910DW FOR GER/AUS		
1	LX7357004	1	USER'S GUIDE, MFC-J6510DW/MFC-J6710DW FOR UK		
1	LX7703004	1	USER'S GUIDE, MFC-J6910DW FOR UK		
1	LX7357005	1	USER'S GUIDE, MFC-J6510DW/MFC-J6710DW FOR FRA		
1	LX7703005	1	USER'S GUIDE, MFC-J6910DW FOR FRA		
1	LX7357008	1	USER'S GUIDE, MFC-J6510DW/MFC-J6710DW FOR BEL (DUTCH)		
1	LX7703008	1	USER'S GUIDE, MFC-J6910DW FOR BEL (DUTCH)		
1	LX7357058	1	USER'S GUIDE, MFC-J6510DW/MFC-J6710DW FOR BEL/CHE (FRENCH)		
1	LX7703058	1	USER'S GUIDE, MFC-J6910DW FOR BEL/CHE (FRENCH)		
1	LX7357009	1	USER'S GUIDE, MFC-J6510DW/MFC-J6710DW FOR NLD		
1	LX7703009	1	USER'S GUIDE, MFC-J6910DW FOR NLD		
1	LX7357010	1	USER'S GUIDE, MFC-J6510DW/MFC-J6710DW FOR CHE (GERMAN)		
1	LX7703010	1	USER'S GUIDE, MFC-J6910DW FOR CHE (GERMAN)		
1	LX7357016	1	USER'S GUIDE, MFC-J6510DW/MFC-J6710DW FOR CHE/ITA (ITALIAN)		
1	LX7703016	1	USER'S GUIDE, MFC-J6910DW FOR CHE/ITA (ITALIAN)		
1	LX7357020	1	USER'S GUIDE, MFC-J6710DW FOR CHN		
1	LX7703020	1	USER'S GUIDE, MFC-J6910DW FOR CHN		
1	LX7357023	1	USER'S GUIDE, MFC-J6710DW FOR TWN/HK (CANTONESE)		
1	LX7703023	1	USER'S GUIDE, MFC-J6910DW FOR TWN (CANTONESE)		
1	LX7357024	1	USER'S GUIDE, MFC-J6510DW FOR ZAF		
1	LX7357040	1	USER'S GUIDE, MFC-J6510DW/MFC-J6710DW FOR HK/IDN/SIN/GUL/OCE (ENGLISH)		
1	LX7703040	1	USER'S GUIDE, MFC-J6910DW FOR IDN/SIN/GUL/OCE		
1	LX7357031	1	USER'S GUIDE, MFC-J6710DW FOR ARG/CHL		
1	LX7357042	1	USER'S GUIDE, MFC-J6510DW/MFC-J6710DW FOR BRA		
1	LX7357044	1	USER'S GUIDE, MFC-J6710DW FOR KOR		
1	LX7357048	1	USER'S GUIDE, MFC-J6510DW FOR RUS		
1	LX7703048	1	USER'S GUIDE, MFC-J6910DW FOR RUS		
1	LX7788007	1	USER'S GUIDE, MFC-J6510DW/MFC-J6710DW FOR PND(NORWEGIAN/SWEDISH)		
1	LX7854007	1	USER'S GUIDE, MFC-J6910DW FOR PND (NORWEGIAN/SWEDISH)		
1	LX7788013	1	USER'S GUIDE, MFC-J6510DW/MFC-J6710DW FOR PND (FINNISH/DANISH)		
1	LX7854013	1	USER'S GUIDE, MFC-J6910DW FOR PND (FINNISH/DANISH)		
1	LX7372065	1	USER'S GUIDE, MFC-J6510DW/MFC-J6710DW FOR IBR		
1	LX7720065	1	USER'S GUIDE, MFC-J6910DW FOR IBR		
2	LX7162051	1	SAFETY/LEGAL BOOKLET FOR US/CAN (ENGLISH)		CHG
2	LX7162052	1	SAFETY/LEGAL BOOKLET FOR CAN (FRENCH)		CHG
2	LX7162003	1	SAFETY/LEGAL BOOKLET FOR GER/CHE/AUS (GERMAN)		
2	LX7162004	1	SAFETY/LEGAL BOOKLET FOR UK		
2	LX7162005	1	SAFETY/LEGAL BOOKLET FOR FRA/BEL/CHE (FRENCH)		
2	LX7162009	1	SAFETY/LEGAL BOOKLET FOR BEL/NLD (DUTCH)		
2	LX7162016	1	SAFETY/LEGAL BOOKLET FOR ITA		
2	LX7162031	1	SAFETY/LEGAL BOOKLET FOR ARG/CHL		
2	LX7162078	1	SAFETY/LEGAL BOOKLET FOR POL/CEE		
2	LX7162042	1	SAFETY/LEGAL BOOKLET FOR BRA		
2	LX7162048	1	SAFETY/LEGAL BOOKLET FOR RUS		
2	LX7162057	1	SAFETY/LEGAL BOOKLET FOR PND		
2	LX7162065	1	SAFETY/LEGAL BOOKLET FOR IBR		
3	LX7579001	1	FRENCH SEAL, MFC-J6510DW FOR CAN		
3	LX7252001	1	FRENCH SEAL, MFC-J6710DW FOR CAN		
3	LX8013001	1	FRENCH SEAL, MFC-J6910DW FOR CAN		

# 13 PACKAGING



## List13(PACKAGING)

REF No.	CODE	Q'TY	DESCRIPTION	RECOMMEND	REMARKS
1	LX7572001	1	CARTON BROTHER, MFC-J6510DW FOR US	√	
1	LX7255001	1	CARTON BROTHER, MFC-J6710DW FOR US	√	
1	LX7993001	1	CARTON BROTHER, MFC-J6910DW FOR US	√	
1	LX7576001	1	CARTON BROTHER, MFC-J6510DW FOR CAN	√	
1	LX7259001	1	CARTON BROTHER, MFC-J6710DW FOR CAN	√	
1	LX8015001	1	CARTON BROTHER, MFC-J6910DW FOR CAN	√	
1	LX7622001	1	CARTON BROTHER, MFC-J6510DW FOR GER/UK/FRA/BEL/NLD/CHE/AUS/ITA/POL/RUS/PND/IBR/CEE	√	
1	LX7360001	1	CARTON BROTHER, MFC-J6710DW FOR GER/UK/FRA/BEL/NLD/CHE/AUS/PND/IBR	√	
1	LX7704001	1	CARTON BROTHER, MFC-J6910DW FOR GER/UK/FRA/BEL/NLD/CHE/AUS/ITA/POL/RUS/PND/IBR/CEE	√	
1	LX8275001	1	CARTON BROTHER, MFC-J6710DW FOR CHN	√	
1	LX8278001	1	CARTON BROTHER, MFC-J6910DW FOR CHN	√	
1	LX8005001	1	CARTON BROTHER, MFC-J6710DW FOR TWN/HK/IDN/SIN/GUL/KOR/OCE	√	
1	LX8006001	1	CARTON BROTHER, MFC-J6910DW FOR TWN/IDN/SIN/GUL/OCE	√	
1	LX8004001	1	CARTON BROTHER, MFC-J6510DW FOR ZAF/SIN/GUL/OCE	√	
1	LX8023001	1	CARTON BROTHER, MFC-J6710DW FOR ARG/CHL	√	
1	LX8067001	1	CARTON BROTHER, MFC-J6510DW FOR BRA	√	
1	LX8072001	1	CARTON BROTHER, MFC-J6710DW FOR BRA	√	
2	LX6124001	1	PULP CUSHION ASSY, MFC-J6510DW		
2	LX3969001	1	PULP CUSHION ASSY, MFC-J6710DW/MFC-J6910DW		
3	LX7045001	1	QUICK SETUP GUIDE, MFC-J6510DW/MFC-J6710DW FOR US/CAN (ENGLISH)		
3	LX7997001	1	QUICK SETUP GUIDE, MFC-J6910DW FOR US/CAN (ENGLISH)		
3	LX7045002	1	QUICK SETUP GUIDE, MFC-J6510DW/MFC-J6710DW FOR CAN (FRENCH)		
3	LX7997002	1	QUICK SETUP GUIDE, MFC-J6910DW FOR CAN (FRENCH)		
3	LX7359003	1	QUICK SETUP GUIDE, MFC-J6510DW/MFC-J6710DW FOR GER/AUS		
3	LX7706003	1	QUICK SETUP GUIDE, MFC-J6910DW FOR GER/AUS		
3	LX7359004	1	QUICK SETUP GUIDE, MFC-J6510DW/MFC-J6710DW FOR UK		
3	LX7706004	1	QUICK SETUP GUIDE, MFC-J6910DW FOR UK		
3	LX7359005	1	QUICK SETUP GUIDE, MFC-J6510DW/MFC-J6710DW FOR FRA		
3	LX7706005	1	QUICK SETUP GUIDE, MFC-J6910DW FOR FRA		
3	LX7359008	1	QUICK SETUP GUIDE, MFC-J6510DW/MFC-J6710DW FOR BEL (DUCTH)		
3	LX7706008	1	QUICK SETUP GUIDE, MFC-J6910DW FOR BEL (DUTCH)		
3	LX7359058	1	QUICK SETUP GUIDE, MFC-J6510DW/MFC-J6710DW FOR BEL/CHE (FRENCH)		
3	LX7706058	1	QUICK SETUP GUIDE, MFC-J6910DW FOR BEL/CHE (FRENCH)		
3	LX7359009	1	QUICK SETUP GUIDE, MFC-J6510DW/MFC-J6710DW FOR NLD		
3	LX7706009	1	QUICK SETUP GUIDE, MFC-J6910DW FOR NLD		
3	LX7359010	1	QUICK SETUP GUIDE, MFC-J6510DW/MFC-J6710DW FOR CHE (GERMAN)		
3	LX7706010	1	QUICK SETUP GUIDE, MFC-J6910DW FOR CHE/ (GERMAN)		
3	LX7359016	1	QUICK SETUP GUIDE, MFC-J6510DW/MFC-J6710DW FOR CHE/ITA (ITALIAN)		
3	LX7706016	1	QUICK SETUP GUIDE, MFC-J6910DW FOR CHE/ITA (ITALIAN)		
3	LX7359020	1	QUICK SETUP GUIDE, MFC-J6710DW FOR CHN		
3	LX7706020	1	QUICK SETUP GUIDE, MFC-J6910DW FOR CHN		
3	LX7359023	1	QUICK SETUP GUIDE, MFC-J6710DW FOR TWN/HK (CANTONESE)		
3	LX7706023	1	QUICK SETUP GUIDE, MFC-J6910DW FOR TWN (CANTONESE)		
3	LX7359024	1	QUICK SETUP GUIDE, MFC-J6510DW FOR ZAF		
3	LX7359040	1	QUICK SETUP GUIDE, MFC-J6510DW/MFC-J6710DW FOR HK/IDN/SIN/GUL/OCE (ENGLISH)		
3	LX7706040	1	QUICK SETUP GUIDE, MFC-J6910DW FOR IDN/SIN/GUL/OCE		
3	LX7359031	1	QUICK SETUP GUIDE, MFC-J6710DW FOR ARG/CHL		
3	LX7359039	1	QUICK SETUP GUIDE, MFC-J6510DW FOR POL		
3	LX7706039	1	QUICK SETUP GUIDE, MFC-J6910DW FOR POL		
3	LX7359042	1	QUICK SETUP GUIDE, MFC-J6510DW/MFC-J6710DW FOR BRA		
3	LX7359044	1	QUICK SETUP GUIDE, MFC-J6710DW FOR KOR		
3	LX7359048	1	QUICK SETUP GUIDE, MFC-J6510DW FOR RUS		
3	LX7706048	1	QUICK SETUP GUIDE, MFC-J6910DW FOR RUS		
3	LX7359007	1	QUICK SETUP GUIDE, MFC-J6510DW/MFC-J6710DW FOR PND (NORWEGIAN/SWEDISH)		
3	LX7706007	1	QUICK SETUP GUIDE, MFC-J6910DW FOR PND (NORWEGIAN/SWEDISH)		
3	LX7359013	1	QUICK SETUP GUIDE, MFC-J6510DW/MFC-J6710DW FOR PND (FINNISH/DANISH)		
3	LX7706013	1	QUICK SETUP GUIDE, MFC-J6910DW FOR PND (FINNISH/DANISH)		
3	LX7359065	1	QUICK SETUP GUIDE, MFC-J6510DW/MFC-J6710DW FOR IBR		
3	LX7706065	1	QUICK SETUP GUIDE, MFC-J6910DW FOR IBR		

MFC-J6510DW/

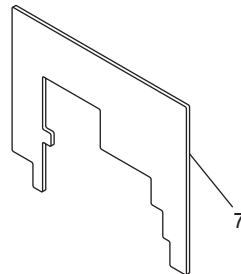
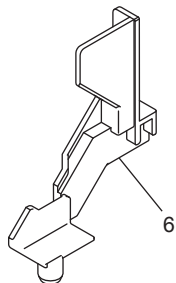
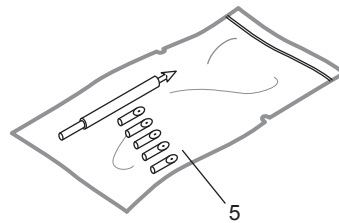
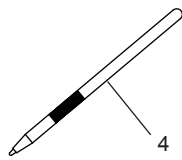
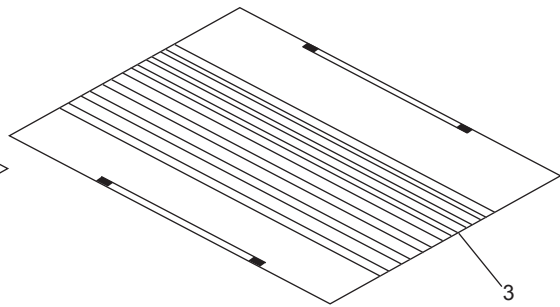
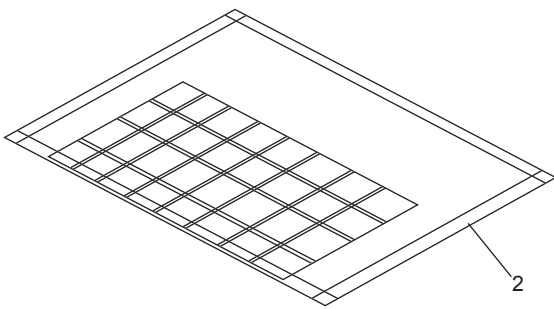
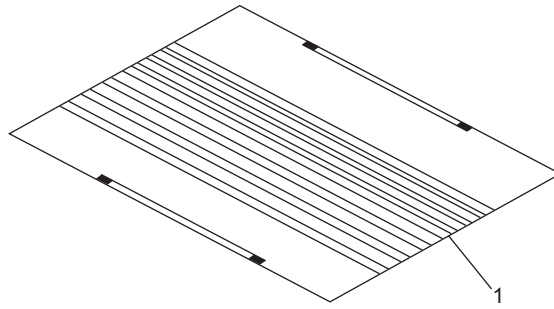
8CAL11/15/19/41/45/49

MFC-J6710DW/MFC-J6910DW

## List13(PACKAGING)

REF No.	CODE	Q'TY	DESCRIPTION	RECOMMEND	REMARKS
3	LX7359037	1	QUICK SETUP GUIDE, MFC-J6510DW FOR CEE (CZECH/HUNGARIAN/ENGLISH)		
3	LX7706037	1	QUICK SETUP GUIDE, MFC-J6910DW FOR CEE (CZECH/HUNGARIAN/ENGLISH)		
3	LX7359059	1	QUICK SETUP GUIDE, MFC-J6510DW FOR CEE (BULGARIAN/ROMANIAN/SLOVAK)		
3	LX7706059	1	QUICK SETUP GUIDE, MFC-J6910DW FOR CEE (BULGARIAN/ROMANIAN/SLOVAK)		
4	LK5912001	1	PROTECT CTG SUPPLY ASSY(SP)		
5	LX3974001	1	ACCESSORIES SHEET		
6	LX7876001	1	SHEET 620X580		CHG
7	LX8038001	1	BAG 1200X1000H, MFC-J6510DW		
7	LX8037001	1	BAG 1400X1100H, MFC-J6710DW/MFC-J6910DW		CHG
8	LX7156001	1	CHUTE COVER PAD, MFC-J6710DW/MFC-J6910DW		

14.OTHERS





## List14(OTHERS)

REF No.	CODE	Q'TY	DESCRIPTION	RECOMMEND	REMARKS
1	UF8263001	1	TEST CHART-027		
2	UF9258001	1	COLOR TEST CHART CTC-001		
3	UF4600001	1	CONTRAST CHART TC-023		
4	XA9940051	1	STYLUS, MFC-J6910DW		
5	ZA0310001	1	HEAD CLEANER STICK ASSY	√	
6	LX6388002	1	LR POSITIONING JIG		
7	LX7243001	1	LR FITTING JIG		