

PARTS CATALOG

**imageRUNNER ADVANCE
4051/4045/4035/4025 Series**

Canon

Jun 20 2012

PREFACE

This Parts Catalog contains listings of parts used

Diagrams are provided with the listings to aid the service technician in identifying clearly, the item to be ordered.

Whenever ordering parts, consult this Parts Catalog for all of the information pertaining to each item. Be sure to include, in the Parts Request, the full item description, the item part number, and the quantity.

COPYRIGHT (C) 1999 CANON INC.

Use of this manual should be strictly supervised to avoid disclosure of confidential information.

Contents

NUMERICAL INDEX

imageRUNNER ADVANCE 4051/4045/4035/4025 Series(Numerical Index)
1-1

imageRUNNER ADVANCE 4051/4045/4035/4025 Series(Parts Catalog)

A1	ASSEMBLY LOCATION DIAGRAM	2-1
A2	OPTION PARTS CATALOG LIST	2-6
001	ACCESSORIES	2-8
100	EXTERNAL COVERS, PANELS, ETC.	2-10
102	RIGHT DOOR ASSEMBLY	2-13
103	MACHINE FRONT PLATE	2-16
104	INTERNAL COMPONENTS 1	2-18
105	INTERNAL COMPONENTS 2	2-20
106	INTERNAL COMPONENTS 3	2-22
107	INTERNAL COMPONENTS 4	2-24
108	INTERNAL COMPONENTS 5	2-26
109	MACHINE REAR PLATE 1	2-28
110	MACHINE REAR PLATE 2	2-30
130	CONTROL PANEL ASSEMBLY	2-32
140	POWER CORD TERMINAL ASSEMBLY	2-37
250	MAIN DRIVE ASSEMBLY	2-38
260	PAPER PICK-UP DRIVE ASSEMBLY (UPPER)(EXCEPT IR-ADV 4051 SERIES)	2-40
261	PAPER PICK-UP DRIVE ASSEMBLY (LOWER)(EXCEPT IR-ADV 4051 SERIES)	2-41
262	PAPER PICK-UP DRIVE ASSEMBLY (IR-ADV 4051 SERIES)	2-42
263	DUPLEXING DRIVE ASSEMBLY	2-43
270	CARTRIDGE LEFT RAIL ASSEMBLY	2-44
271	CARTRIDGE RIGHT RAIL ASSEMBLY	2-45
280	FIRST DELIVERY DRIVE ASSEMBLY	2-46
300	CASSETTE ASSEMBLY (UPPER)	2-47
301	CASSETTE ASSEMBLY (LOWER)	2-50
310	PAPER PICK-UP ASSEMBLY (UPPER)	2-53
311	PAPER PICK-UP ASSEMBLY (LOWER)	2-56
312	MULTI PAPER PICK-UP ASSEMBLY	2-60
313	DUPLEXING FEED GUIDE ASSEMBLY	2-63
316	PRE-REGISTRATION GUIDE ASS'Y	2-65
320	TRANSFER PAPER FEED ASSEMBLY	2-66
330	RIGHT LOWER DOOR ASSEMBLY	2-68

Contents

333	RIGHT LOWER INNER DOOR ASS'Y	2-70
350	FIRST DELIVERY ASSEMBLY	2-71
351	SECOND DELIVERY ASSEMBLY	2-72
352	SECOND DELIVERY FRAME ASSEMBLY	2-74
400	READER ASSEMBLY	2-76
460	LASER SCANNER ASSEMBLY	2-79
620	HOPPER ASSEMBLY	2-80
640	DEVELOPING ASSEMBLY	2-83
770	WASTE TONER BOX ASSEMBLY	2-85
810	FIXING ASSEMBLY	2-86
815	DELIVERY LOWER GUIDE ASSEMBLY	2-89
816	DELIVERY UPPER GUIDE ASSEMBLY	2-91
900	CONTROLLER BOX ASSEMBLY	2-92
910	MAIN CONTROLLER PCB ASS'Y, 1	2-94
920	MAIN CONTROLLER PCB ASS'Y, 2	2-95
930	ENGINE CONTROLLER PCB ASSEMBLY	2-96
980	HIGH VOLTAGE PCB ASSEMBLY	2-97
B10	ADF MAIN BODY (ADF MODEL)	2-98
B11	BASE ASSEMBLY (ADF MODEL)	2-101
B12	PAPER PICK-UP COVER ASSEMBLY (ADF MODEL)	2-103
B13	DOCUMENT TRAY ASSEMBLY (ADF MODEL)	2-105
B21	ESTRANGEMENT DRIVE ASSEMBLY (ADF MODEL)	2-107
B41	PAPER FEED ASSEMBLY (ADF MODEL)	2-109
D90	READER CONTROLLER PCB ASSEMBLY	2-114
T20	G3 FAX ASSEMBLY, 1 LINE (FAX)	2-115
T21	SPEAKER ASSEMBLY (FAX)	2-117
ZZA	MECHANICAL STANDARD PARTS (HOW TO USE)	2-118
ZZB	MECHANICAL STANDARD PARTS (SCREWS)	2-119
ZZC	MECHANICAL STANDARD PARTS (BOLTS)	2-126
ZZD	MECHANICAL STANDARD PARTS (NUTS)	2-127
ZZE	MECHANICAL STANDARD PARTS (RETAINING RINGS)	2-128

NUMERICAL INDEX

imageRUNNER ADVANCE 4051/4045/4035/4025 Series(Numerical Index)

PARTS NUMBER	FIGURE & KEY NO.	PARTS NUMBER	FIGURE & KEY NO.	PARTS NUMBER	FIGURE & KEY NO
FA8-2446-000	103 - 25	FC0-2467-000	103 - 11	FC0-2609-000	312 - 29
FA9-4041-005	815 - 1	FC0-2470-000	100 - 1	FC0-2610-000	312 - 30
FA9-4077-000	816 - 1	FC0-2471-000	100 - 2	FC0-2611-000	312 - 5
FB5-9410-000	B10 - 23	FC0-2472-000	100 - 3	FC0-2618-000	400 - 16
FB6-3313-000	330 - 1	FC0-2473-000	100 - 4	FC0-3063-000	815 - 2
FB6-3313-000	333 - 1	FC0-2474-000	100 - 5	FC0-3064-000	816 - 2
FB6-3387-000	311 - 1	FC0-2476-000	100 - 6	FC0-3066-000	816 - 3
FB6-3388-000	310 - 5	FC0-2477-000	100 - 7	FC0-3067-000	816 - 4
FB6-3388-000	311 - 5	FC0-2478-000	100 - 8	FC0-3068-000	816 - 5
FB6-3389-000	310 - 6	FC0-2479-000	100 - 27	FC0-3069-000	810 - 3
FB6-3389-000	311 - 6	FC0-2481-000	100 - 28	FC0-3073-000	350 - 2
FB6-3391-000	310 - 7	FC0-2482-000	100 - 9	FC0-3074-000	815 - 3
FB6-3391-000	311 - 7	FC0-2484-000	100 - 10	FC0-3077-000	815 - 4
FB6-3392-020	310 - 8	FC0-2485-000	100 - 11	FC0-3078-000	313 - 22
FB6-3392-020	311 - 8	FC0-2486-000	100 - 12	FC0-3079-000	313 - 8
FB6-3395-000	310 - 9	FC0-2489-000	102 - 2	FC0-4340-000	320 - 1
FB6-3395-000	311 - 9	FC0-2490-000	400 - 14	FC0-4356-000	810 - 8
FB6-3396-010	310 - 10	FC0-2491-000	400 - 4	FC0-4359-000	900 - 2
FB6-3396-010	311 - 10	FC0-2496-000	400 - 6	FC0-4616-000	B41 - 14
FB6-3397-000	310 - 11	FC0-2497-000	400 - 5	FC0-4617-000	B21 - 12
FB6-3397-000	311 - 11	FC0-2499-000	108 - 6	FC0-4619-000	B41 - 17
FB6-3398-000	310 - 12	FC0-2517-000	330 - 2	FC0-4665-000	312 - 1
FB6-3398-000	311 - 12	FC0-2518-000	330 - 3	FC0-4666-000	312 - 1
FB6-3402-000	310 - 13	FC0-2519-000	330 - 4	FC0-4667-000	312 - 1
FB6-3402-000	311 - 13	FC0-2520-000	330 - 5	FC0-4668-000	312 - 1
FB6-3403-000	310 - 14	FC0-2521-000	330 - 6	FC0-4669-000	312 - 2
FB6-3403-000	311 - 14	FC0-2522-000	330 - 7	FC0-4670-000	312 - 3
FB6-3404-000	310 - 15	FC0-2525-000	312 - 33	FC0-4672-000	350 - 3
FB6-3404-000	311 - 15	FC0-2526-000	312 - 34	FC0-4674-000	100 - 15
FB6-3405-000	310 - 54	FC0-2527-000	312 - 47	FC0-4675-000	100 - 16
FB6-3405-000	311 - 55	FC0-2528-000	330 - 8	FC0-4676-000	100 - 17
FB6-3410-000	310 - 1	FC0-2529-000	330 - 9	FC0-4677-000	100 - 18
FB6-3410-000	311 - 2	FC0-2531-000	130 - 2	FC0-4680-000	351 - 26
FB6-3413-000	310 - 16	FC0-2532-000	103 - 3	FC0-4685-000	102 - 12
FB6-3413-000	311 - 16	FC0-2537-000	104 - 1	FC0-4692-000	351 - 3
FB6-4852-000	310 - 17	FC0-2538-000	100 - 32	FC0-4693-000	100 - 22
FB6-4852-000	311 - 17	FC0-2539-000	103 - 24	FC0-5122-000	640 - 1
FC0-0205-000	109 - 24	FC0-2548-000	900 - 1	FC0-5222-000	312 - 6
FC0-0225-000	100 - 24	FC0-2577-000	109 - 6	FC0-5223-000	100 - 30
FC0-0226-000	100 - 24	FC0-2578-000	109 - 7	FC0-5224-000	100 - 30
FC0-0293-000	810 - 4	FC0-2579-000	109 - 8	FC0-5225-000	100 - 30
FC0-2394-000	810 - 5	FC0-2580-000	109 - 9	FC0-5226-000	100 - 30
FC0-2406-000	810 - 6	FC0-2581-000	109 - 10	FC0-5227-000	100 - 30
FC0-2413-000	810 - 7	FC0-2590-000	300 - 39	FC0-5228-000	100 - 30
FC0-2432-000	620 - 1	FC0-2592-000	100 - 13	FC0-5231-000	352 - 4
FC0-2444-000	620 - 4	FC0-2593-000	100 - 14	FC0-5233-000	104 - 2
FC0-2446-000	620 - 5	FC0-2603-000	312 - 24	FC0-5242-000	640 - 2
FC0-2452-000	620 - 20	FC0-2604-000	312 - 25	FC0-5250-000	100 - 19
FC0-2453-000	620 - 21	FC0-2605-000	312 - 26	FC0-6755-000	310 - 4
FC0-2454-000	620 - 27	FC0-2606-000	312 - 27	FC0-6755-000	311 - 4
FC0-2458-000	102 - 1	FC0-2607-000	312 - 28	FC0-8273-000	815 - 5
FC0-2459-000	104 - 7	FC0-2608-000	312 - 4	FC0-8277-000	816 - 6

NUMERICAL INDEX

imageRUNNER ADVANCE 4051/4045/4035/4025 Series(Numerical Index)

PARTS NUMBER	FIGURE & KEY NO.	PARTS NUMBER	FIGURE & KEY NO.	PARTS NUMBER	FIGURE & KEY NO
FC0-9022-000	620 - 6	FC8-1202-000	310 - 21	FC8-6332-000	B11 - 16
FC0-9122-000	B21 - 13	FC8-1202-000	311 - 21	FC8-6338-000	B13 - 4
FC5-0595-010	310 - 2	FC8-2469-000	300 - 1	FC8-6339-000	B13 - 5
FC5-0974-000	352 - 5	FC8-2469-000	301 - 1	FC8-6340-000	B13 - 15
FC5-0997-000	352 - 6	FC8-2470-000	300 - 2	FC8-6341-000	B13 - 10
FC5-1023-000	313 - 4	FC8-2470-000	301 - 2	FC8-6345-000	B12 - 4
FC5-1358-000	102 - 3	FC8-2474-000	300 - 3	FC8-6347-010	B12 - 6
FC5-1367-000	810 - 9	FC8-2474-000	301 - 3	FC8-6348-000	B12 - 7
FC5-1516-000	260 - 1	FC8-2475-000	300 - 4	FC8-6351-000	B12 - 16
FC5-1536-000	320 - 2	FC8-2475-000	301 - 4	FC8-6352-010	B12 - 17
FC5-4285-030	B11 - 1	FC8-2478-000	106 - 4	FC8-6353-000	B12 - 18
FC5-4286-000	B11 - 2	FC8-2670-000	300 - 5	FC8-6355-000	B12 - 19
FC5-4287-000	B11 - 3	FC8-2670-000	301 - 5	FC8-6356-000	B41 - 71
FC5-4323-000	B12 - 1	FC8-2671-000	300 - 6	FC8-6357-000	B41 - 72
FC5-4324-000	B12 - 2	FC8-2671-000	301 - 6	FC8-6368-000	B41 - 4
FC5-4353-000	B41 - 1	FC8-2672-000	300 - 7	FC8-6371-000	B41 - 6
FC5-4425-000	313 - 1	FC8-2672-000	301 - 7	FC8-6372-000	B41 - 7
FC5-4425-000	351 - 12	FC8-4000-000	100 - 20	FC8-6373-000	B41 - 31
FC5-4425-000	352 - 7	FC8-4051-000	110 - 2	FC8-6374-000	B41 - 32
FC5-4425-000	B11 - 4	FC8-4861-000	330 - 10	FC8-6375-000	B41 - 33
FC5-4425-000	B12 - 3	FC8-4962-000	301 - 8	FC8-6376-000	B41 - 34
FC5-4425-000	B21 - 1	FC8-4966-000	300 - 8	FC8-6377-000	B41 - 8
FC5-4425-000	B41 - 2	FC8-4966-000	301 - 10	FC8-6378-020	B41 - 9
FC5-4697-000	351 - 2	FC8-4967-000	300 - 31	FC8-6379-000	B41 - 10
FC5-6014-000	102 - 4	FC8-4967-000	301 - 11	FC8-6380-000	104 - 13
FC5-6014-000	352 - 8	FC8-4970-000	300 - 9	FC8-6380-000	107 - 1
FC5-7182-000	810 - 10	FC8-4970-000	301 - 12	FC8-6380-000	B41 - 11
FC6-2784-000	B12 - 14	FC8-4985-000	300 - 35	FC8-6381-000	B41 - 36
FC6-4689-000	109 - 1	FC8-4985-000	301 - 13	FC8-6382-000	B41 - 12
FC6-5022-000	261 - 1	FC8-4986-000	300 - 36	FC8-6383-000	B41 - 24
FC6-6661-000	310 - 55	FC8-4987-000	300 - 37	FC8-6384-000	B41 - 27
FC6-6661-000	311 - 56	FC8-4989-000	300 - 11	FC8-6385-000	B41 - 13
FC6-7083-000	310 - 56	FC8-4989-000	301 - 14	FC8-6387-000	B10 - 6
FC6-7083-000	311 - 57	FC8-4990-000	300 - 12	FC8-6388-000	B10 - 7
FC6-7576-000	900 - 3	FC8-4990-000	301 - 15	FC8-6395-010	B41 - 15
FC6-8971-010	B12 - 15	FC8-4992-000	301 - 16	FC8-6396-000	B41 - 16
FC6-8973-000	B11 - 5	FC8-4993-000	300 - 32	FC8-6398-000	B41 - 35
FC6-8973-000	B41 - 3	FC8-4993-000	301 - 17	FC8-6399-000	B41 - 30
FC6-9867-000	310 - 19	FC8-4996-000	300 - 13	FC8-6403-000	B41 - 38
FC6-9867-000	311 - 19	FC8-4996-000	301 - 18	FC8-6404-000	B11 - 8
FC7-2409-000	109 - 4	FC8-4999-000	106 - 7	FC8-6405-000	B10 - 8
FC7-2666-000	250 - 6	FC8-6163-000	400 - 31	FC8-6406-000	B21 - 2
FC7-5845-000	310 - 3	FC8-6180-000	400 - 32	FC8-6407-000	B21 - 3
FC7-5845-000	311 - 3	FC8-6188-010	400 - 9	FC8-6410-010	B12 - 20
FC7-5907-000	333 - 2	FC8-6311-000	B10 - 4	FC8-6411-000	B41 - 25
FC7-9381-000	310 - 54	FC8-6316-000	B11 - 19	FC8-6412-000	B41 - 28
FC7-9381-000	311 - 55	FC8-6317-000	B11 - 20	FC8-6418-000	B41 - 18
FC7-9502-000	310 - 56	FC8-6318-000	B11 - 21	FC8-6419-000	B11 - 22
FC7-9502-000	311 - 57	FC8-6319-000	B11 - 6	FC8-6420-000	B10 - 9
FC8-0209-000	350 - 4	FC8-6322-000	B11 - 7	FC8-6421-000	B41 - 19
FC8-1178-000	310 - 20	FC8-6330-000	B10 - 5	FC8-6422-000	B11 - 10
FC8-1178-000	311 - 20	FC8-6331-000	B11 - 15	FC8-6423-000	B11 - 11

NUMERICAL INDEX

imageRUNNER ADVANCE 4051/4045/4035/4025 Series(Numerical Index)

PARTS NUMBER	FIGURE & KEY NO.	PARTS NUMBER	FIGURE & KEY NO.	PARTS NUMBER	FIGURE & KEY NO
FC8-7823-000	130 - 3	FC9-0700-000	320 - 8	FC9-1610-000	640 - 4
FC8-7824-000	130 - 4	FC9-0702-000	320 - 4	FC9-1613-000	640 - 5
FC8-7834-000	130 - 5	FC9-0704-000	320 - 9	FC9-1618-000	270 - 2
FC8-8181-010	300 - 44	FC9-0709-000	320 - 5	FC9-1623-000	105 - 4
FC8-8181-010	301 - 20	FC9-0717-000	102 - 5	FC9-1672-000	815 - 14
FC8-8182-000	300 - 34	FC9-0717-000	102 - 15	FC9-1683-000	271 - 3
FC8-8182-000	301 - 21	FC9-0717-000	313 - 2	FC9-1698-000	103 - 9
FC8-8346-000	100 - 29	FC9-0717-000	351 - 4	FC9-1710-000	102 - 11
FC8-8649-000	130 - 7	FC9-0733-000	271 - 1	FC9-4042-000	300 - 38
FC8-8650-000	130 - 8	FC9-0734-000	271 - 2	FC9-4042-000	301 - 26
FC8-8653-000	130 - 9	FC9-0738-000	810 - 11	FC9-4290-000	310 - 22
FC8-8655-000	130 - 10	FC9-0781-010	810 - 12	FC9-4290-000	311 - 22
FC8-8660-000	130 - 11	FC9-0782-000	810 - 13	FC9-4390-000	130 - 13
FC8-8679-000	130 - 12	FC9-0785-000	810 - 31	FC9-4391-000	130 - 14
FC9-0117-000	300 - 14	FC9-0787-010	810 - 14	FC9-4408-000	130 - 15
FC9-0118-000	300 - 15	FC9-0790-000	810 - 15	FC9-4691-000	106 - 1
FC9-0127-000	300 - 16	FC9-0792-000	810 - 16	FC9-4983-000	B13 - 3
FC9-0128-000	300 - 17	FC9-0795-000	270 - 1	FC9-4984-000	B13 - 7
FC9-0129-000	300 - 18	FC9-0802-000	350 - 5	FC9-6190-000	B12 - 5
FC9-0129-000	301 - 22	FC9-0805-000	350 - 6	FC9-6192-010	108 - 3
FC9-0130-000	300 - 19	FC9-0806-010	350 - 1	FC9-6193-000	108 - 7
FC9-0130-000	301 - 23	FC9-0814-000	351 - 5	FC9-7242-000	300 - 21
FC9-0136-000	300 - 33	FC9-0816-010	351 - 6	FC9-7243-000	300 - 20
FC9-0136-000	301 - 25	FC9-0822-000	351 - 7	FC9-7253-000	310 - 23
FC9-0140-000	300 - 22	FC9-0826-000	313 - 3	FC9-7253-000	311 - 23
FC9-0145-000	001 - 6	FC9-0836-000	351 - 8	FC9-7259-000	300 - 40
FC9-0502-000	103 - 14	FC9-0838-000	313 - 5	FC9-7260-000	300 - 41
FC9-0503-000	103 - 15	FC9-0841-000	313 - 13	FC9-7261-000	300 - 42
FC9-0504-000	103 - 4	FC9-0843-000	313 - 14	FC9-7281-000	100 - 23
FC9-0512-000	105 - 1	FC9-0846-000	313 - 15	FC9-7284-000	400 - 10
FC9-0533-000	105 - 2	FC9-0852-000	313 - 9	FC9-7288-000	400 - 15
FC9-0535-000	107 - 2	FC9-0854-000	352 - 9	FC9-7292-000	400 - 1
FC9-0536-000	107 - 3	FC9-0856-000	352 - 10	FC9-7297-000	100 - 36
FC9-0545-000	104 - 3	FC9-0857-000	352 - 11	FC9-7297-000	400 - 12
FC9-0552-000	104 - 4	FC9-0864-000	352 - 12	FC9-7308-000	400 - 29
FC9-0557-000	316 - 1	FC9-0870-010	352 - 13	FC9-7708-000	103 - 16
FC9-0562-010	104 - 6	FC9-0898-000	103 - 7	FC9-7720-000	313 - 17
FC9-0573-000	100 - 21	FC9-0899-000	103 - 8	FC9-7720-000	351 - 9
FC9-0592-010	640 - 3	FC9-0900-000	103 - 5	FC9-7720-000	815 - 12
FC9-0609-000	105 - 7	FC9-0922-000	250 - 2	FC9-7723-000	351 - 10
FC9-0612-000	620 - 22	FC9-0923-000	250 - 3	FC9-7861-000	100 - 24
FC9-0629-010	320 - 3	FC9-0923-000	312 - 10	FC9-7861-000	100 - 24
FC9-0670-000	312 - 7	FC9-0923-000	313 - 16	FC9-7862-000	100 - 24
FC9-0671-000	312 - 8	FC9-0923-000	352 - 14	FC9-7863-000	100 - 24
FC9-0672-000	312 - 9	FC9-0924-000	250 - 4	FC9-7865-000	110 - 3
FC9-0684-000	312 - 18	FC9-0989-000	104 - 4	FC9-8950-000	313 - 6
FC9-0685-000	312 - 19	FC9-0990-000	104 - 9	FC9-8959-000	350 - 7
FC9-0687-000	312 - 20	FC9-0991-000	104 - 10	FC9-8965-010	102 - 16
FC9-0688-000	312 - 21	FC9-0992-000	109 - 11	FC9-8966-000	102 - 17
FC9-0689-000	312 - 22	FC9-0993-000	109 - 12	FC9-8967-000	352 - 15
FC9-0693-000	320 - 17	FC9-1026-000	312 - 11	FC9-8968-000	810 - 18
FC9-0699-000	320 - 6	FC9-1593-000	250 - 5	FC9-8970-000	109 - 17

NUMERICAL INDEX

imageRUNNER ADVANCE 4051/4045/4035/4025 Series(Numerical Index)

PARTS NUMBER	FIGURE & KEY NO.	PARTS NUMBER	FIGURE & KEY NO.	PARTS NUMBER	FIGURE & KEY NO
FC9-8974-000	810 - 19	FK2-9145-000	109 - 3	FL3-2934-000	B10 - 13
FC9-9069-000	100 - 35	FK2-9148-000	271 - 4	FL3-2935-000	B10 - 14
FC9-9237-000	130 - 16	FK2-9154-000	104 - 12	FL3-2940-000	B12 - 10
FC9-9238-000	130 - 17	FK2-9154-000	107 - 5	FL3-2942-000	B11 - 14
FC9-9239-000	130 - 18	FK2-9316-000	110 - 6	FL3-3151-000	352 - 17
FC9-9240-000	130 - 19	FK3-1307-000	263 - 1	FL3-3206-000	400 - 22
FE2-0459-000	250 - 1	FK3-1308-000	351 - 13	FL3-3207-000	400 - 11
FE2-0464-000	815 - 11	FK3-1309-000	280 - 1	FL3-3456-000	312 - 15
FE2-0465-000	110 - 5	FK3-1343-000	400 - 25	FL3-3469-000	312 - 44
FE2-0466-000	810 - 1	FK3-1553-000	920 - IC	FL3-3591-000	400 - 36
FE2-0468-000	110 - 7	FK3-1554-000	110 - 11	FL3-3593-000	400 - 36
FE2-0503-000	102 - 6	FK3-1555-000	130 - 33	FL3-3594-000	400 - 36
FE2-0508-000	815 - 15	FK3-1613-000	B41 - 20	FL3-5298-000	130 - 25
FE2-0747-000	102 - 32	FK3-1657-000	130 - 21	FL3-5299-000	130 - 25
FE2-0749-000	810 - 17	FK3-2046-000	103 - 6	FL3-5302-000	350 - 9
FE2-0750-000	130 - 6	FK3-2447-000	001 - 2	FL3-5303-000	130 - 25
FE2-0755-000	400 - 41	FK3-2448-000	001 - 3	FL3-5304-000	130 - 25
FE2-1943-000	320 - 19	FK3-2449-000	001 - 3	FL3-5305-000	130 - 25
FE2-2846-000	810 - 2	FK3-2450-000	001 - 3	FL3-5309-000	400 - 18
FG3-2302-020	311 - 18	FK3-2451-000	001 - 4	FL3-5310-000	108 - 5
FG3-3757-000	B13 - 13	FK3-2452-000	001 - 5	FL3-5312-000	400 - 7
FH6-5095-000	313 - 7	FL2-5277-000	816 - 7	FL3-5313-000	130 - 25
FH7-7569-000	400 - 19	FL2-6580-000	311 - 27	FL3-5314-000	130 - 25
FK2-0207-000	B21 - 4	FL2-8282-000	311 - 1	FL3-5315-000	130 - 25
FK2-0216-000	B10 - 24	FL2-8283-000	310 - 2	FL3-5316-000	130 - 25
FK2-0360-000	102 - 7	FL2-9472-000	300 - 23	FL3-5322-000	130 - 25
FK2-0360-000	109 - 2	FL2-9472-000	301 - 28	FL3-5323-000	130 - 25
FK2-0360-000	270 - 3	FL2-9933-000	B11 - 12	FL3-5324-000	130 - 25
FK2-0408-000	310 - 25	FL2-9934-000	B11 - 13	FL3-5325-000	130 - 25
FK2-0408-000	311 - 26	FL2-9937-000	B41 - 22	FL3-5326-000	130 - 25
FK2-0428-000	T21 - 1	FL2-9939-000	B41 - 36	FL3-5465-000	400 - 17
FK2-0472-010	102 - 8	FL2-9945-000	B10 - 12	FL3-5538-000	B41 - 43
FK2-0472-010	105 - 6	FL2-9948-000	B12 - 9	FL3-5598-000	130 - 25
FK2-1410-000	312 - 12	FL2-9949-000	B41 - 5	FL3-5599-000	130 - 25
FK2-1773-000	930 - IC	FL3-0626-000	130 - 22	FL3-5600-000	130 - 25
FK2-1845-000	001 - 1	FL3-0833-000	130 - 24	FL3-5601-000	130 - 25
FK2-3218-000	920 - IC	FL3-1185-000	100 - 25	FL3-5602-000	130 - 25
FK2-6450-000	930 - IC	FL3-1348-000	312 - 13	FL3-5603-000	130 - 25
FK2-6870-000	B41 - 21	FL3-1349-000	312 - 14	FL3-5605-000	312 - 16
FK2-6871-000	B41 - 39	FL3-1352-000	312 - 45	FL3-5609-000	130 - 25
FK2-6873-000	B10 - 11	FL3-1443-000	313 - 18	FL3-5610-000	130 - 25
FK2-7326-000	262 - 1	FL3-1448-000	102 - 9	FL3-5998-000	B12 - 12
FK2-7327-000	260 - 2	FL3-1450-000	351 - 11	FL3-6197-000	620 - 3
FK2-7327-000	261 - 2	FL3-1451-000	313 - 10	FL3-6200-000	100 - 26
FK2-7574-000	D90 - IC	FL3-1454-000	352 - 16	FL3-6203-000	102 - 18
FK2-7852-000	920 - IC	FL3-1456-000	106 - 8	FL3-6204-000	130 - 25
FK2-8272-000	910 - IC	FL3-2449-000	B13 - 9	FL3-6205-000	130 - 25
FK2-8276-000	910 - 2	FL3-2450-000	B13 - 1	FL3-6207-000	130 - 25
FK2-8341-000	910 - 4	FL3-2451-000	B13 - 2	FL3-6208-000	130 - 25
FK2-8477-000	130 - 34	FL3-2452-000	B13 - 11	FL3-6210-000	130 - 25
FK2-8988-000	920 - IC	FL3-2859-000	300 - 10	FL3-6211-000	130 - 25
FK2-9141-000	107 - 4	FL3-2859-000	301 - 30	FL3-6212-000	130 - 25

NUMERICAL INDEX

imageRUNNER ADVANCE 4051/4045/4035/4025 Series(Numerical Index)

PARTS NUMBER	FIGURE & KEY NO.	PARTS NUMBER	FIGURE & KEY NO.	PARTS NUMBER	FIGURE & KEY NO
FL3-6215-000	130 - 26	FM4-2525-000	310 - 27	FM4-8594-000	109 - 14
FL3-6218-000	400 - 30	FM4-2525-000	311 - 29	FM4-8596-000	930 -
FL3-6225-000	815 - 6	FM4-2918-000	270 - 4	FM4-8597-000	930 -
FL3-6226-000	400 - 40	FM4-7293-000	815 -	FM4-8598-000	930 -
FL3-6227-000	400 - 39	FM4-7295-000	816 -	FM4-8976-000	B41 -
FL3-6661-000	310 - 24	FM4-7304-000	620 - 2	FM4-8978-000	B13 -
FL3-6661-000	311 - 24	FM4-7333-000	312 -	FM4-9135-000	T21 -
FL3-7222-000	350 - 8	FM4-7337-000	351 -	FM4-9152-000	102 - 14
FM0-1208-000	B12 -	FM4-7612-000	930 -	FM4-9154-000	102 -
FM0-1209-000	B41 - 42	FM4-7613-000	930 -	FM4-9155-000	320 -
FM0-1876-000	130 -	FM4-7614-000	930 -	FM4-9156-000	100 - 34
FM0-1877-000	130 -	FM4-7615-000	980 - 1	FM4-9157-000	313 -
FM0-1878-000	130 -	FM4-7621-000	140 - 4	FM4-9164-000	130 - 1
FM2-2768-000	312 - 31	FM4-7624-000	270 - 5	FM4-9170-000	640 - 10
FM2-4786-000	140 - 3	FM4-7627-000	109 - 18	FM4-9175-000	310 -
FM2-4787-000	140 - 5	FM4-7675-000	140 - 4	FM4-9177-000	311 -
FM2-5951-000	140 - 1	FM4-7681-000	109 - 19	FM4-9179-000	250 -
FM3-1297-000	333 -	FM4-7697-000	D90 -	FM4-9185-000	310 -
FM3-4146-000	310 - 26	FM4-7702-000	400 - 20	FM4-9186-000	311 -
FM3-4146-000	311 - 28	FM4-7705-000	400 - 38	FM4-9642-000	400 - 8
FM3-4150-000	310 - 17	FM4-7707-000	620 - 23	FM4-9692-000	130 -
FM3-4150-000	311 - 17	FM4-7836-000	140 - 6	FM4-9693-000	130 -
FM3-5580-000	T20 - 1	FM4-7876-000	109 - 5	FM4-9694-000	130 -
FM3-6892-010	B12 - 13	FM4-7877-000	109 - 5	FM4-9695-000	130 -
FM3-6893-000	B10 - 22	FM4-7878-000	109 - 5	FM4-9696-000	130 -
FM3-8153-000	301 -	FM4-7880-000	300 -	FM4-9698-000	130 -
FM3-8905-010	300 - 26	FM4-7881-000	300 - 30	FM4-9699-000	130 -
FM3-8905-010	301 - 31	FM4-7892-000	109 - 13	FM4-9700-000	130 -
FM3-8906-010	300 - 27	FM4-7893-000	109 - 13	FM4-9701-000	130 -
FM3-8906-010	301 - 32	FM4-7897-000	810 - 21	FM4-9702-000	130 -
FM3-8907-000	300 - 28	FM4-7898-000	810 - 21	FM4-9703-000	130 -
FM3-8907-000	301 - 27	FM4-7899-000	810 - 21	FM4-9704-000	130 -
FM3-8912-000	300 - 29	FM4-7900-000	810 - 21	FM4-9705-000	130 -
FM3-8912-000	301 - 24	FM4-7901-000	810 - 21	FM4-9706-000	130 -
FM3-8913-000	301 - 29	FM4-7902-000	261 -	FM4-9707-000	130 -
FM3-8915-000	106 - 2	FM4-7908-000	920 - 1	FM4-9708-000	130 -
FM3-9249-000	102 - 10	FM4-7909-000	920 - 1	FM4-9709-000	130 -
FM3-9265-000	640 - 6	FM4-7913-000	620 -	FM4-9710-000	130 -
FM3-9276-010	770 -	FM4-7914-000	620 -	FM4-9711-000	130 -
FM3-9287-010	312 - 17	FM4-7915-000	350 -	FM4-9712-000	130 -
FM3-9293-000	312 - 23	FM4-7917-000	263 -	FM4-9713-000	130 -
FM3-9296-000	320 - 18	FM4-7918-000	280 -	FM4-9714-000	130 -
FM3-9401-000	810 - 20	FM4-7921-000	316 -	FM4-9715-000	130 -
FM3-9406-010	460 -	FM4-7922-000	262 -	FM4-9716-000	130 -
FM3-9407-010	460 -	FM4-7923-000	260 -	FM4-9717-000	130 -
FM4-0040-000	140 - 2	FM4-7924-000	352 -	FM4-9718-000	130 -
FM4-0783-000	910 - 3	FM4-8145-000	B10 - 21	FM4-9719-000	130 -
FM4-0788-000	T20 - 5	FM4-8146-000	B41 - 45	FM4-9720-000	130 -
FM4-0838-000	T20 - 2	FM4-8149-000	B10 - 17	FM4-9721-000	130 -
FM4-1194-000	130 - 27	FM4-8459-000	400 - 2	FM4-9722-000	130 -
FM4-1195-000	130 - 28	FM4-8590-000	109 - 22	FM4-9726-000	910 - 1
FM4-1198-000	130 - 29	FM4-8593-000	109 - 14	FM4-9727-000	910 - 1

NUMERICAL INDEX

imageRUNNER ADVANCE 4051/4045/4035/4025 Series(Numerical Index)

PARTS NUMBER	FIGURE & KEY NO.	PARTS NUMBER	FIGURE & KEY NO.	PARTS NUMBER	FIGURE & KEY NO
FM4-9728-000	910 - 1	FU5-1035-000	330 - 12	FU7-2916-000	640 - 11
FM4-9729-000	910 - 1	FU5-1035-000	333 - 4	FU7-2919-000	620 - 8
FM4-9730-000	640 -	FU5-1168-000	B11 - 18	FU7-2925-000	312 - 35
FM4-9733-000	810 - 30	FU5-1172-000	B12 - 24	FU7-2925-000	350 - 11
FM4-9734-000	810 - 30	FU5-1172-000	B41 - 50	FU7-2926-000	312 - 36
FM4-9735-000	810 - 30	FU5-1173-000	B10 - 15	FU7-2928-000	320 - 7
FM4-9736-000	810 - 30	FU5-1522-000	350 - 10	FU7-2930-000	320 - 12
FM4-9737-000	810 - 30	FU5-1522-000	352 - 21	FU7-2931-000	320 - 13
FM4-9739-000	130 - 30	FU5-1626-000	B12 - 25	FU7-2933-000	320 - 15
FM4-9740-000	313 - 12	FU5-1626-000	B41 - 51	FU7-2934-000	351 - 24
FS1-1205-000	310 - 29	FU5-1763-000	310 - 43	FU7-2934-000	815 - 13
FS1-1205-000	311 - 30	FU5-1763-000	311 - 45	FU7-2943-000	351 - 1
FS5-1943-000	263 - 2	FU5-2683-000	816 - 8	FU7-2946-000	352 - 23
FS5-1943-000	310 - 30	FU5-3710-000	400 - 33	FU7-2947-000	313 - 19
FS5-1943-000	311 - 31	FU5-3796-000	102 - 22	FU7-2948-000	352 - 24
FS5-1943-000	352 - 19	FU5-3796-000	351 - 23	FU7-2960-000	250 - 8
FS5-6945-000	300 - 24	FU5-6014-000	102 - 23	FU7-2960-000	263 - 3
FS5-6945-000	301 - 9	FU5-8901-000	100 - 31	FU7-2961-000	250 - 9
FS6-1063-000	310 - 31	FU5-9139-000	108 - 1	FU7-2962-000	250 - 7
FS6-1063-000	311 - 32	FU5-9140-000	108 - 2	FU7-2968-000	350 - 12
FS7-2788-000	330 - 11	FU6-0710-000	310 - 44	FU7-2971-000	312 - 37
FS7-2788-000	333 - 3	FU6-0710-000	311 - 46	FU7-2972-000	105 - 5
FS7-2800-000	310 - 32	FU6-1088-000	B41 - 52	FU7-2974-000	312 - 38
FS7-2800-000	311 - 33	FU6-1089-000	B41 - 53	FU7-2996-000	103 - 10
FS7-2801-000	310 - 33	FU6-2189-000	352 - 22	FU7-2997-000	103 - 18
FS7-2801-000	311 - 34	FU6-2194-000	103 - 23	FU7-2998-000	102 - 13
FS7-2803-000	311 - 35	FU6-2684-000	310 - 45	FU7-5378-000	310 - 49
FS9-0203-000	B10 - 1	FU6-2684-000	311 - 47	FU7-5378-000	311 - 51
FS9-0204-000	B41 - 46	FU6-2784-000	310 - 46	FU7-8079-000	400 - 37
FS9-0205-000	B41 - 47	FU6-2784-000	311 - 48	FU7-8080-000	400 - 37
FU0-0043-000	310 - 34	FU6-8647-000	106 - 3	FU7-8081-000	400 - 37
FU0-0043-000	311 - 36	FU6-8880-000	103 - 20	FU7-8082-000	400 - 37
FU3-0282-000	310 - 35	FU6-8884-010	102 - 19	FU7-8083-000	400 - 37
FU3-0282-000	311 - 37	FU6-8898-000	810 - 29	FU7-8084-000	400 - 35
FU3-0283-000	310 - 36	FU7-0353-000	262 - 2	FU7-8085-000	400 - 35
FU3-0283-000	311 - 38	FU7-0445-000	310 - 47	FU7-8086-000	400 - 35
FU3-0284-000	310 - 37	FU7-0445-000	311 - 49	FU7-8087-000	400 - 35
FU3-0284-000	311 - 39	FU7-2332-000	106 - 5	FU7-8133-000	B13 - 6
FU3-0285-000	261 - 3	FU7-2518-000	300 - 43	FU7-8134-000	B13 - 12
FU3-0288-000	310 - 38	FU7-2651-000	B10 - 16	FU7-8142-000	B10 - 26
FU3-0288-000	311 - 40	FU7-2652-000	B11 - 9	FU7-8223-000	B10 - 2
FU3-0289-000	310 - 39	FU7-2653-000	B11 - 17	FU7-8225-000	B10 - 26
FU3-0289-000	311 - 41	FU7-2654-000	B12 - 26	FU7-8226-000	B10 - 26
FU3-0347-000	310 - 40	FU7-2655-000	B12 - 27	FU7-8227-000	400 - 35
FU3-0347-000	311 - 42	FU7-2656-000	B12 - 11	FU7-8232-000	400 - 35
FU3-0349-000	310 - 41	FU7-2657-000	B41 - 44	FU7-8233-000	400 - 35
FU3-0349-000	311 - 43	FU7-2658-000	B41 - 54	FU7-8234-000	400 - 35
FU3-0350-000	310 - 42	FU7-2659-000	B41 - 55	FU7-8401-000	B10 - 26
FU3-0350-000	311 - 44	FU7-2660-000	B41 - 56	FU7-8444-000	B10 - 18
FU5-0076-000	352 - 20	FU7-2911-000	103 - 21	FU7-8446-000	B10 - 18
FU5-1009-000	320 - 10	FU7-2912-000	103 - 17	FU7-8447-000	B10 - 19
FU5-1030-000	105 - 9	FU7-2913-000	105 - 3	FU7-8449-000	B10 - 19

NUMERICAL INDEX

imageRUNNER ADVANCE 4051/4045/4035/4025 Series(Numerical Index)

PARTS NUMBER	FIGURE & KEY NO.	PARTS NUMBER	FIGURE & KEY NO.	PARTS NUMBER	FIGURE & KEY NO
FU7-8450-000	B10 - 19	FU8-0585-000	263 - 4	HH2-2824-000	T20 - 4
FU7-8452-000	B10 - 3	FU8-0602-000	351 - 14	KE8-1162-060	130 - 23
FU7-8453-000	B10 - 25	FU8-0603-000	351 - 15	KE8-1168-100	130 - 20
FU7-8454-000	B10 - 25	FU8-0605-000	351 - 16	MB4-8201-000	620 - 20
FU7-8455-000	B10 - 25	FU8-0606-000	351 - 17	MB4-8201-000	640 - 15
FU7-8457-000	B10 - 25	FU8-0607-000	313 - 21	NPN	001 -
FU8-0214-000	310 - 48	FU8-0608-000	352 - 25	NPN	100 -
FU8-0214-000	311 - 50	FU8-0609-000	352 - 3	NPN	103 -
FU8-0299-000	B12 - 21	FU8-0610-000	351 - 18	NPN	104 -
FU8-0300-000	B12 - 22	FU8-2289-000	110 - 4	NPN	105 -
FU8-0301-000	B12 - 23	FU8-2470-000	400 - 34	NPN	106 -
FU8-0302-000	B12 - 8	FU8-2481-000	400 - 24	NPN	107 -
FU8-0303-000	B41 - 57	FU8-2497-000	400 - 26	NPN	108 -
FU8-0304-000	B41 - 26	FU8-2787-000	816 - 9	NPN	109 -
FU8-0305-000	B41 - 58	FU8-2788-000	810 - 23	NPN	110 -
FU8-0306-000	B41 - 40	FU8-2791-000	620 - 7	NPN	140 -
FU8-0307-000	B41 - 29	FU8-2792-000	103 - 12	NPN	270 -
FU8-0308-000	B41 - 59	FU8-2793-000	620 - 12	NPN	271 -
FU8-0309-000	B41 - 60	FU8-2794-000	103 - 13	NPN	330 -
FU8-0310-000	B41 - 61	FU8-2796-000	330 - 13	NPN	400 -
FU8-0311-000	B21 - 5	FU8-2798-000	102 - 26	NPN	810 -
FU8-0312-000	B41 - 62	FU8-2800-000	620 - 16	NPN	900 -
FU8-0313-000	B41 - 63	FU8-2801-000	105 - 8	NPN	910 -
FU8-0314-000	B41 - 64	FU8-2803-000	620 - 17	NPN	920 -
FU8-0315-000	B41 - 65	FU8-2804-000	312 - 42	NPN	980 -
FU8-0316-000	B41 - 66	FU8-2805-000	313 - 20	NPN	B10 -
FU8-0317-000	B41 - 67	FU8-2806-000	620 - 13	NPN	B11 -
FU8-0318-000	B41 - 68	FU8-2807-000	320 - 14	NPN	B21 -
FU8-0319-000	B21 - 6	FU8-2881-000	810 - 23	NPN	T20 -
FU8-0320-000	B21 - 7	FU8-2883-000	102 - 24	RS5-1567-000	310 - 50
FU8-0508-000	104 - 5	FU9-0319-000	815 - 7	RS5-1567-000	311 - 52
FU8-0509-000	640 - 7	FU9-0320-000	815 - 8	VS1-7173-003	102 - 28
FU8-0510-000	640 - 8	FU9-0321-000	815 - 9	VS1-7173-005	351 - 25
FU8-0511-000	640 - 12	FU9-0324-000	109 - 15	VS1-7173-006	316 - 2
FU8-0512-000	640 - 9	FU9-0325-000	815 - 10	VS1-7173-007	271 - 5
FU8-0514-000	620 - 24	FU9-0326-000	620 - 25	VS1-7173-010	105 - 12
FU8-0518-000	620 - 9	FU9-0327-000	620 - 28	VS1-7173-010	106 - 10
FU8-0519-000	620 - 10	FU9-0328-000	351 - 19	VS1-7173-010	107 - 8
FU8-0520-000	620 - 11	FU9-0375-000	263 - 5	VS1-7173-013	107 - 9
FU8-0525-000	312 - 39	FU9-0376-000	280 - 2	VS1-7173-014	310 - 18
FU8-0526-000	312 - 40	FU9-0377-000	620 - 30	VS1-7173-014	311 - 58
FU8-0527-000	312 - 41	FU9-0378-000	250 - 16	VS1-7177-002	102 - 29
FU8-0528-000	320 - 11	FU9-0379-000	250 - 17	VS1-7177-002	107 - 7
FU8-0530-000	102 - 25	FU9-0380-000	250 - 18	VS1-7177-002	310 - 28
FU8-0538-000	350 - 13	FU9-0381-000	250 - 19	VS1-7177-002	311 - 25
FU8-0539-000	250 - 10	FU9-0382-000	250 - 20	VS1-7177-002	352 - 18
FU8-0540-000	250 - 11	FU9-0383-000	640 - 14	VS1-7177-002	620 - 29
FU8-0541-000	250 - 12	FU9-0384-000	102 - 20	VS1-7177-002	B10 - 20
FU8-0542-000	250 - 13	FU9-0385-000	109 - 16	VS1-7177-002	B41 - 49
FU8-0547-000	250 - 14	FU9-0386-000	810 - 24	VS1-7177-002	T20 - 3
FU8-0553-000	640 - 13	FU9-0576-000	810 - 25	VS1-7177-003	102 - 30
FU8-0555-000	250 - 15	FU9-0577-000	810 - 26	VS1-7177-003	109 - 20

NUMERICAL INDEX

imageRUNNER ADVANCE 4051/4045/4035/4025 Series(Numerical Index)

PARTS NUMBER	FIGURE & KEY NO.	PARTS NUMBER	FIGURE & KEY NO.	PARTS NUMBER	FIGURE & KEY NO
VS1-7177-003	110 - 8	XA9-1523-000	301 - 19		
VS1-7177-003	270 - 6	XA9-1523-000	312 - 32		
VS1-7177-003	313 - 11	XA9-1567-000	100 - 33		
VS1-7177-003	B13 - 14	XA9-1567-000	103 - 22		
VS1-7177-004	271 - 6	XA9-1567-000	104 - 14		
VS1-7177-004	B21 - 8	XA9-1567-000	105 - 10		
VS1-7177-005	102 - 31	XA9-1567-000	106 - 9		
VS1-7507-002	312 - 46	XA9-1567-000	107 - 6		
VS1-8412-011	110 - 9	XA9-1567-000	108 - 4		
VS1-8412-015	107 - 10	XA9-1567-000	109 - 23		
VS1-8412-015	109 - 25	XA9-1567-000	110 - 1		
VS1-8412-025	104 - 15	XA9-1567-000	263 - 6		
WC2-5680-000	106 - 6	XA9-1567-000	280 - 4		
WG4-5242-000	103 - 19	XA9-1567-000	310 - 53		
WE8-5600-000	130 - 31	XA9-1567-000	316 - 4		
WE8-5731-000	130 - 32	XA9-1567-000	351 - 21		
WE8-6817-000	110 - 10	XA9-1567-000	400 - 3		
WE8-6823-000	105 - 11	XA9-1567-000	620 - 19		
WE8-6823-000	T20 - 6	XA9-1567-000	900 - 4		
WE8-6825-000	109 - 21	XA9-1917-000	910 - 5		
WG8-5696-000	B13 - 8	XD1-4200-302	640 - 501		
WG8-5696-000	B21 - 9	XD1-4200-402	109 - 501		
WG8-5696-000	B41 - 41	XD3-1200-122	104 - 501		
WG8-5776-000	400 - 27	XD3-2200-102	B12 - 501		
WG8-5836-000	102 - 21	XD3-2200-122	310 - 501		
WG8-5836-000	103 - 1	XD3-2200-122	311 - 501		
WG8-5836-000	271 - 7	XD3-2200-122	B11 - 501		
WG8-5836-000	280 - 3	XD3-2200-122	B41 - 501		
WG8-5836-000	310 - 51	XD3-2200-142	102 - 501		
WG8-5836-000	311 - 53	XD3-2200-142	640 - 502		
WG8-5836-000	312 - 43	XD3-2200-162	620 - 501		
WG8-5836-000	320 - 16	XD3-2200-222	250 - 502		
WG8-5836-000	351 - 20	XD3-2250-122	250 - 501		
WG8-5836-000	352 - 1	XF2-1603-640	280 - 5		
WG8-5836-000	620 - 18	XF2-1604-940	261 - 4		
WG8-5836-000	810 - 27	XF2-1606-040	263 - 7		
WG8-5927-000	316 - 3	XF2-1607-340	262 - 3		
WP2-5282-000	620 - 15	XF2-1607-640	B21 - 11		
WP2-5282-000	640 - 16	XF2-1607-640	B41 - 70		
WP2-5316-000	103 - 2	XF2-1608-040	351 - 22		
XA9-0656-000	310 - 52	XF2-1608-040	352 - 2		
XA9-0656-000	311 - 54	XF2-1609-040	260 - 3		
XA9-0702-000	620 - 26	XF2-3111-840	102 - 27		
XA9-0702-000	810 - 22	XF2-4606-740	400 - 23		
XA9-0702-000	B41 - 48	XF2-4668-040	400 - 28		
XA9-0732-000	B10 - 10	XG9-0172-000	810 - 28		
XA9-0732-000	B21 - 10	XG9-0387-000	640 - 17		
XA9-1164-000	B41 - 69	XG9-0507-000	B41 - 23		
XA9-1386-000	T21 - 2	XG9-0508-000	250 - 21		
XA9-1415-000	400 - 13	XH9-0136-000	104 - 11		
XA9-1469-000	400 - 21	XZ1-1301-005	110 - 501		
XA9-1523-000	300 - 25				

imageRUNNER ADVANCE 4051/4045/ 4035/4025 Series(Parts Catalog)

imageRUNNER ADVANCE 4051i

230V EUR F19-0992-000 HRV

imageRUNNER ADVANCE 4051A

220V KR F19-0972-000 HSK ADF MODEL

imageRUNNER ADVANCE 4051

120V TW F19-0901-000 HST

120V F19-0931-000 HRM ADF MODEL
US,CA,LTN

230V F19-0941-000 HRZ
LTN,CA,ES,HK

220V CN F19-0961-000 HSD

220V KR F19-0971-000 HSJ

imageRUNNER ADVANCE 4045i

230V EUR F19-1092-000 HRW

imageRUNNER ADVANCE 4045F

100V JP F19-1012-000 HRD G3 FAX,ADF MODEL

imageRUNNER ADVANCE 4045A

220V KR F19-1073-000 HSN ADF MODEL

imageRUNNER ADVANCE 4045

120V TW	F19-1001-000	HSU	
100V JP	F19-1011-000	HRC	ADF MODEL
120V US,CA,LTN	F19-1031-000	HRN	ADF MODEL
230V LTN,CA,ES,HK	F19-1041-000	HAS	
220V CN	F19-1061-000	HSF	
220V KR	F19-1071-000	HSL	

imageRUNNER ADVANCE 4035i

230V EUR	F19-1094-000	HRX	
-----------------	---------------------	------------	--

imageRUNNER ADVANCE 4035F

100V JP	F19-1014-000	HRJ	G3 FAX,ADF MODEL
----------------	---------------------	------------	------------------

imageRUNNER ADVANCE 4035A

220V KR	F19-1074-000	HSQ	ADF MODEL
----------------	---------------------	------------	-----------

imageRUNNER ADVANCE 4035

120V TW	F19-1002-000	HSW	
100V JP	F19-1013-000	HRE	ADF MODEL
120V US,CA,LTN	F19-1032-000	HRP	
230V LTN,CA,ES,HK	F19-1043-000	HSB	
220V CN	F19-1062-000	HSG	
220V KR	F19-1072-000	HSP	

imageRUNNER ADVANCE 4025i

230V EUR F19-1192-000 HRY

imageRUNNER ADVANCE 4025F

100V JP F19-1112-000 HRL

G3 FAX,ADF MODEL

imageRUNNER ADVANCE 4025A

220V KR F19-1172-000 HSS

ADF MODEL

imageRUNNER ADVANCE 4025

100V JP F19-1111-000 HRK

ADF MODEL

120V F19-1131-000 HRQ
US,CA,LTN

230V F19-1141-000 HSC
LTN,CA,ES,HK

220V CN F19-1161-000 HSH

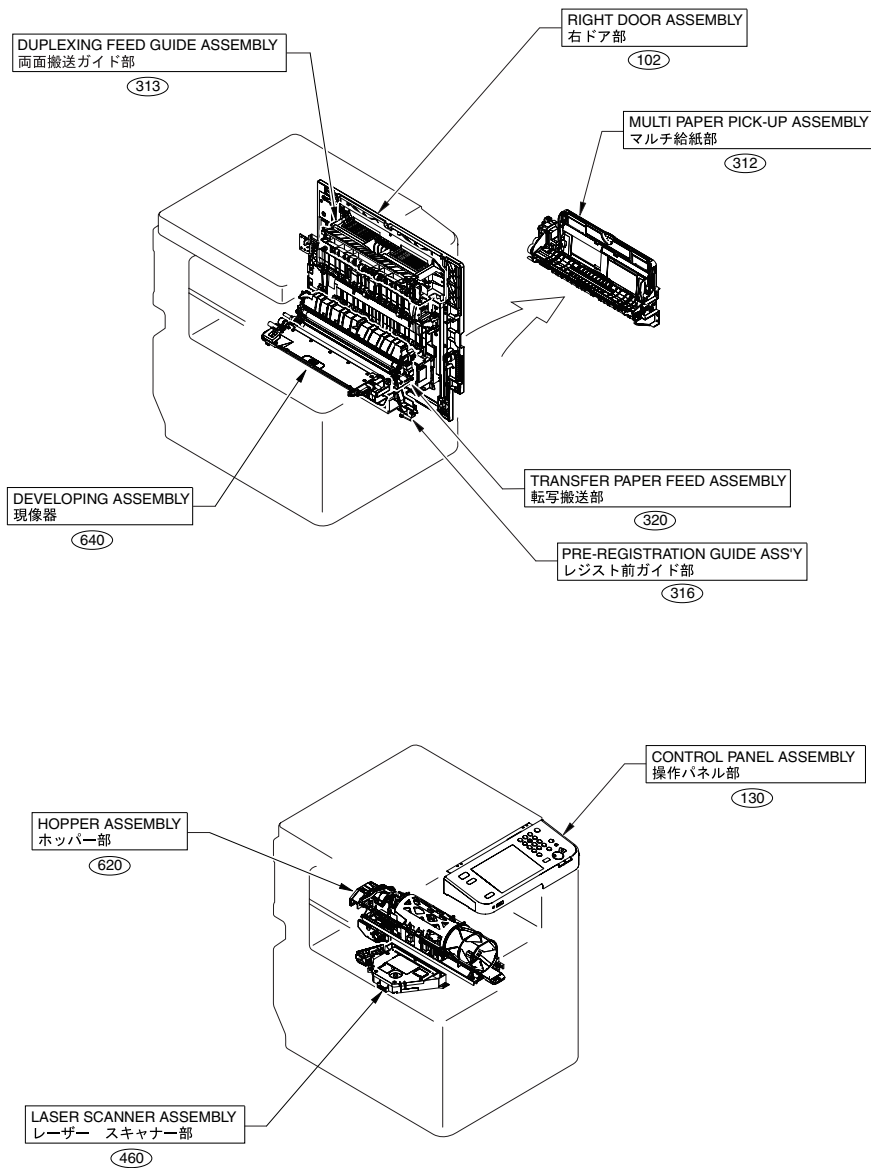
220V KR F19-1171-000 HSR

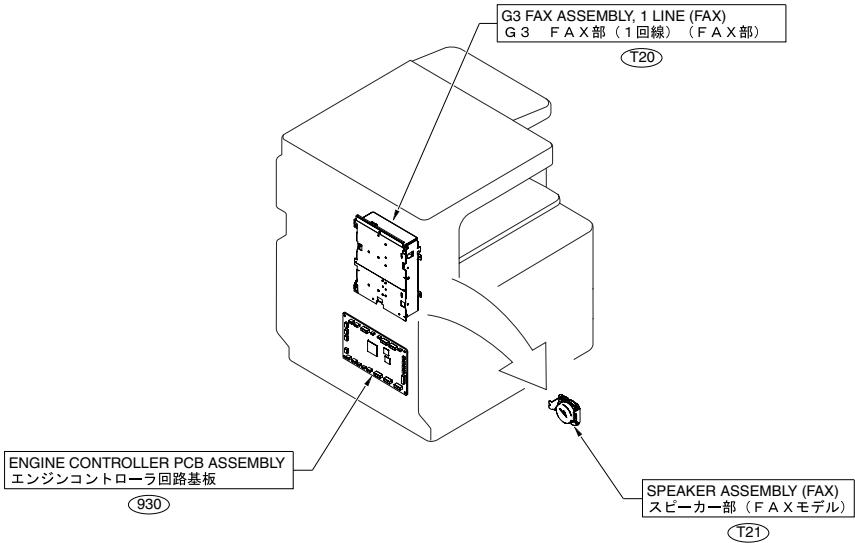
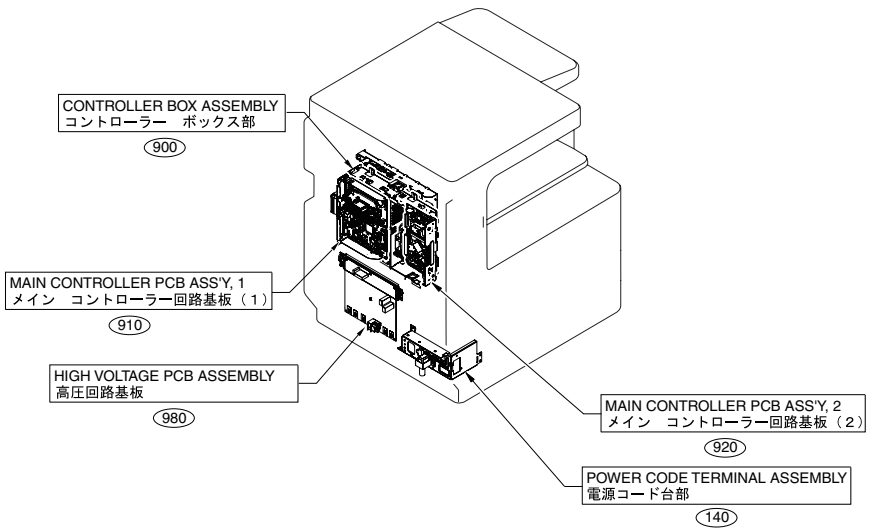
Contents

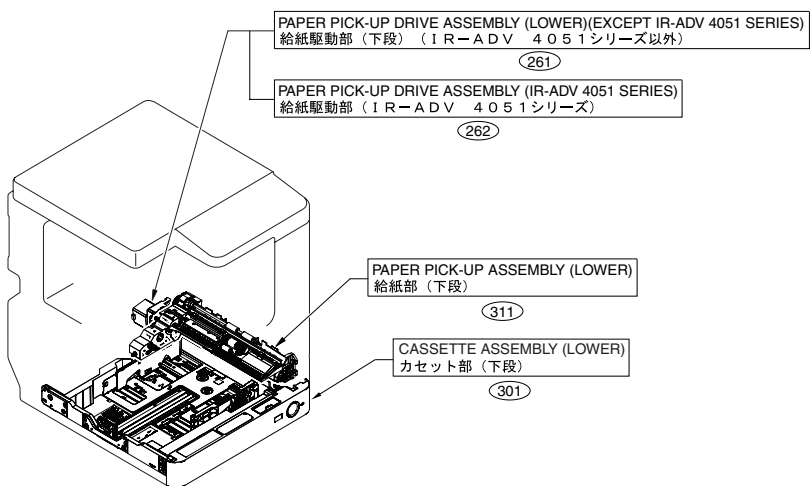
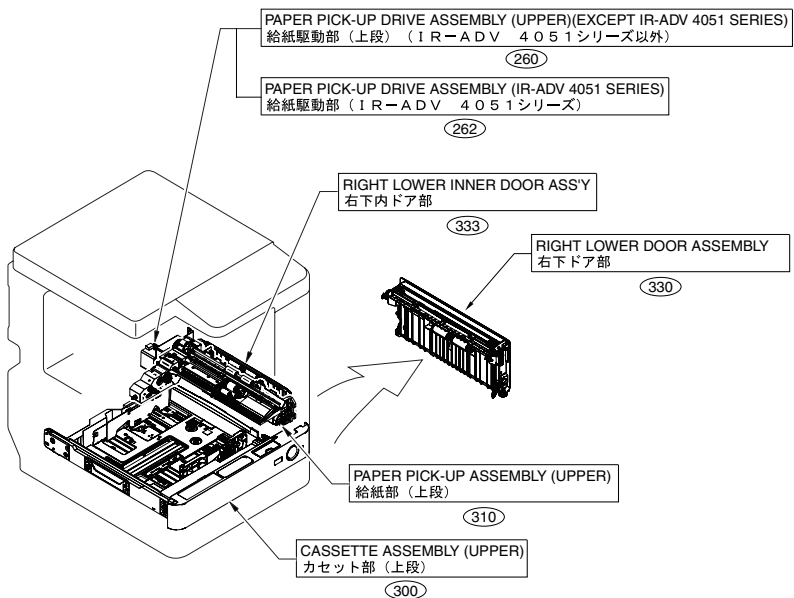
A1	ASSEMBLY LOCATION DIAGRAM	2-1
A2	OPTION PARTS CATALOG LIST	2-6
001	ACCESSOREIS	2-8
100	EXTERNAL COVERS, PANELS, ETC.	2-10
102	RIGHT DOOR ASSEMBLY	2-13
103	MACHINE FRONT PLATE	2-16
104	INTERNAL COMPONENTS 1	2-18
105	INTERNAL COMPONENTS 2	2-20
106	INTERNAL COMPONENTS 3	2-22
107	INTERNAL COMPONENTS 4	2-24
108	INTERNAL COMPONENTS 5	2-26
109	MACHINE REAR PLATE 1	2-28
110	MACHINE REAR PLATE 2	2-30
130	CONTROL PANEL ASSEMBLY	2-32
140	POWER CORD TERMINAL ASSEMBLY	2-37
250	MAIN DRIVE ASSEMBLY	2-38
260	PAPER PICK-UP DRIVE ASSEMBLY (UPPER)(EXCEPT IR-ADV 4051 SERIES)2-40	
261	PAPER PICK-UP DRIVE ASSEMBLY (LOWER)(EXCEPT IR-ADV 4051 SERIES)2-41	
262	PAPER PICK-UP DRIVE ASSEMBLY (IR-ADV 4051 SERIES)	2-42
263	DUPLEXING DRIVE ASSEMBLY	2-43
270	CARTRIDGE LEFT RAIL ASSEMBLY	2-44
271	CARTRIDGE RIGHT RAIL ASSEMBLY	2-45
280	FIRST DELIVERY DRIVE ASSEMBLY	2-46
300	CASSETTE ASSEMBLY (UPPER)	2-47
301	CASSETTE ASSEMBLY (LOWER)	2-50
310	PAPER PICK-UP ASSEMBLY (UPPER)	2-53
311	PAPER PICK-UP ASSEMBLY (LOWER)	2-56
312	MULTI PAPER PICK-UP ASSEMBLY	2-60
313	DUPLEXING FEED GUIDE ASSEMBLY	2-63
316	PRE-REGISTRATION GUIDE ASS'Y	2-65
320	TRANSFER PAPER FEED ASSEMBLY	2-66
330	RIGHT LOWER DOOR ASSEMBLY	2-68
333	RIGHT LOWER INNER DOOR ASS'Y	2-70
350	FIRST DELIVERY ASSEMBLY	2-71
351	SECOND DELIVERY ASSEMBLY	2-72
352	SECOND DELIVERY FRAME ASSEMBLY	2-74
400	READER ASSEMBLY	2-76
460	LASER SCANNER ASSEMBLY	2-79
620	HOPPER ASSEMBLY	2-80
640	DEVELOPING ASSEMBLY	2-83
770	WASTE TONER BOX ASSEMBLY	2-85
810	FIXING ASSEMBLY	2-86
815	DELIVERY LOWER GUIDE ASSEMBLY	2-89

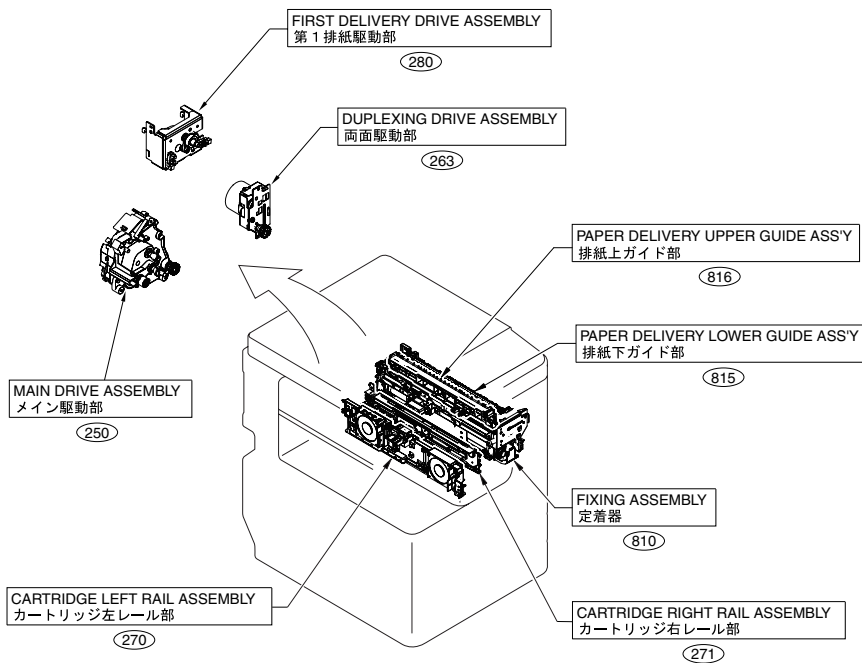
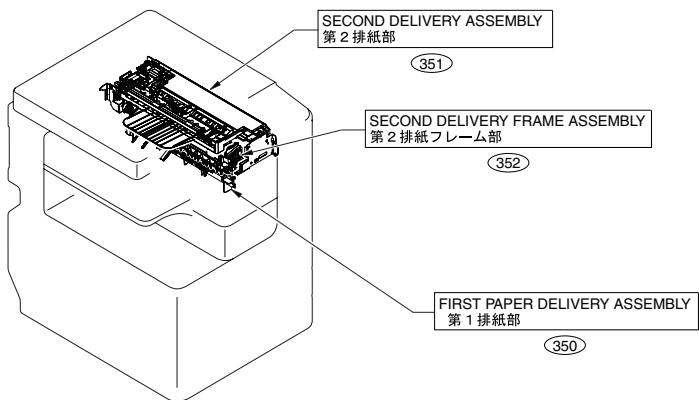
816	DELIVERY UPPER GUIDE ASSEMBLY	2-91
900	CONTROLLER BOX ASSEMBLY	2-92
910	MAIN CONTROLLER PCB ASS'Y, 1.....	2-94
920	MAIN CONTROLLER PCB ASS'Y, 2.....	2-95
930	ENGINE CONTROLLER PCB ASSEMBLY	2-96
980	HIGH VOLTAGE PCB ASSEMBLY	2-97
B10	ADF MAIN BODY (ADF MODEL)	2-98
B11	BASE ASSEMBLY (ADF MODEL).....	2-101
B12	PAPER PICK-UP COVER ASSEMBLY (ADF MODEL).....	2-103
B13	DOCUMENT TRAY ASSEMBLY (ADF MODEL).....	2-105
B21	ESTRANGEMENT DRIVE ASSEMBLY (ADF MODEL)	2-107
B41	PAPER FEED ASSEMBLY (ADF MODEL).....	2-109
D90	READER CONTROLLER PCB ASSEMBLY	2-114
T20	G3 FAX ASSEMBLY, 1 LINE (FAX)	2-115
T21	SPEAKER ASSEMBLY (FAX)	2-117
ZZA	MECHANICAL STANDARD PARTS (HOW TO USE)	2-118
ZZB	MECHANICAL STANDARD PARTS (SCREWS).....	2-119
ZZC	MECHANICAL STANDARD PARTS (BOLTS).....	2-126
ZZD	MECHANICAL STANDARD PARTS (NUTS).....	2-127
ZZE	MECHANICAL STANDARD PARTS (RETAINING RINGS)	2-128

FIGURE A1 ASSEMBLY LOCATION DIAGRAM









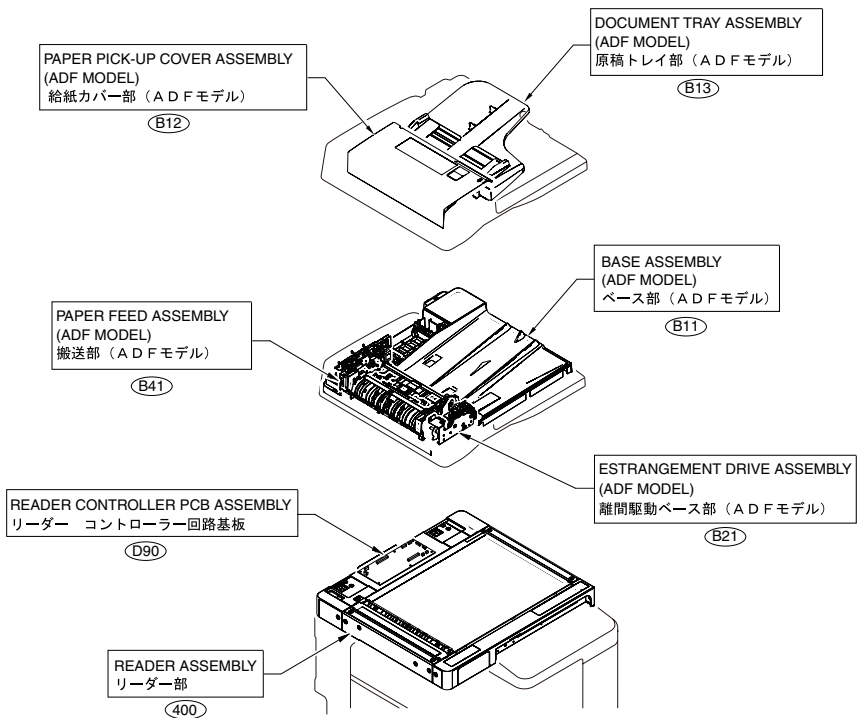


FIGURE A2

OPTION PARTS CATALOG LIST

This is the table of the machine's options whose parts catalog is issued.
 本機のオプションで、パーツカタログが発行されている機種の一覧である。

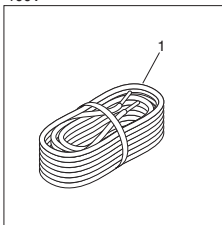
No.	Model Name(English)	Model Name(Japanese)
1	DADF-AG1	(日本仕向けなし)
2	Color Image Reader Unit-E1	(日本仕向けなし)
3	Platen Cover Type R	原稿台カバー タイプR
4	Stamp Unit-B1	(日本仕向けなし)
5	ADF Access Handle-A1	ADFアクセスハンドル・A1
6	Printer Cover-E1	(日本仕向けなし)
7	Paper Deck Unit-B2	ペーパーデッキユニット・B2
8	Cassette Feeding Unit-AF1	2段カセットベディスタル・AF1
9	FL Cassette-AM1	FLカセット・AM1
10	FL Cassette-AQ1	FLカセット・AQ1
11	Envelope Feeder Attachment-D1	(日本仕向けなし)
12	Inner 2Way Tray-H1	インナー2ウェイトレイ・H1
13	Staple Finisher-G1/Booklet Finisher-G1	ステイプルフィニッシャー・G1/ 中綴じフィニッシャー・G1
14	Inner Finisher-D1	インナーフィニッシャー・D1
15	Inner Finisher-D1 with 2/3 Hole Puncher-A1	(日本仕向けなし)
16	Inner Finisher Additional Tray-A1	インナーフィニッシャー用追加トレイ・A1
17	External 2 Hole Puncher-B2 External 2/3 Hole Puncher-B2 External 2/4 Hole Puncher-B2 External 4 Hole Puncher-B2	外付け2穴パンチャー・B2 外付け2/3穴パンチャー・B2 外付け2/4穴パンチャー・B2 外付け4穴パンチャー・B2
18	Inner 2 Hole Puncher-A1 Inner 2/3 Hole Puncher-A1 Inner 2/4 Hole Puncher-A1 Inner 4 Hole Puncher-A1	内蔵2穴パンチャー・A1 内蔵2/3穴パンチャー・A1 内蔵2/4穴パンチャー・A1 内蔵4穴パンチャー・A1
19	Buffer Pass Unit-H1	バッファパスユニット・H1
20	Heater Kit-K1	ヒーター基板・K1
21	Reader Heater Unit-H1	(日本仕向けなし)
22	(JAPAN ONLY)	リーダーヒーターキット・B1
23	Cassette Heater Unit-37	(日本仕向けなし)
24	Paper Deck Heater Unit-C1	(日本仕向けなし)
25	Drum Heater-C1	Drum Heater-C1
26	G3 FAX Board-AK1	スーパーG3FAXボード・AK1
27	Super G3 3rd/4th Line Fax Board-AE1	G3回線増設キット(3・4回線)・AE1
28	G3 2nd Line Fax Board-AK1	G3回線増設キット(2回線)・AK1
29	(JAPAN ONLY)	G4 FAXボード・H1
30	HDD Data Encryption & Mirroring Kit-C4	HDDデータ暗号化/ミラーリングキット・C4
31	Removable HDD Kit-AF1	リムーバブルHDDキット・AF1
32	USB Device Port-D1	USBデバイスポート・D1
33	Serial Interface Kit-K1	(日本仕向けなし)
34	Copy Control Interface Kit-A1	(日本仕向けなし)
35	(JAPAN ONLY)	ハンドセット・G2
36	Wireless LAN Board-B2	(日本仕向けなし)
37	2.5inch/80GB HDD-C1	オプションHDD(2.5inch/80GB)・C1
38	2.5inch/250GB HDD-D1	オプションHDD(2.5inch/250GB)・D1
39	HDD Mirroring Kit-F1	(日本仕向けなし)
40	Expansion Bus-F1/F2	PCIバス拡張キット・F1/F2

This is the table of the machine's options whose parts catalog is issued.
 本機のオプションで、パーツカタログが発行されている機種の一覧である。

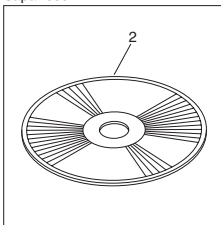
No.	Model Name(English)	Model Name(Japanese)
41	(JAPAN ONLY)	イメージ解析ボード・B1
42	Multimedia Reader/Writer-A2	マルチメディアリーダー/ライター・A2
43	(JAPAN ONLY)	iR-ADV課金装置接続キット・A1
44	Serial Interface Kit-K1	(日本仕向けなし)
45	Copy Control Interface Kit-A1	(日本仕向けなし)
46	Copy Card Reader-F1	コピーカードリーダー・F1
47	Utility Tray-A2	ユーティリティートレイ・A2
48	Copy Card Reader Attachment-B2	コピーカードリーダー取付けキット・B2
49	Voice Guidance Kit-F1/F2	(日本仕向けなし)
50	Voice Operation Kit-C2	(日本仕向けなし)

FIGURE 001 ACCESSOIREIS

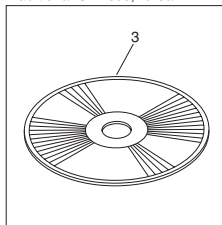
100V



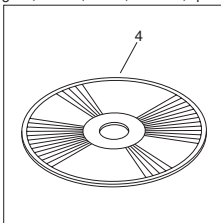
Japanese



English, French, Italian, German, Spanish,
US English, UK English, Simplified Chinese,
Traditional Chinese, Korean



English, French, Italian, German, Spanish



FAX MODEL

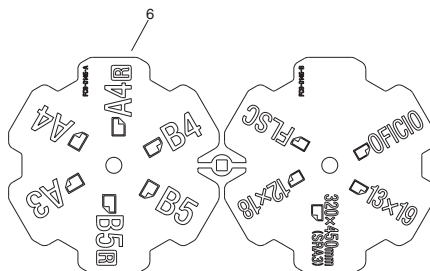
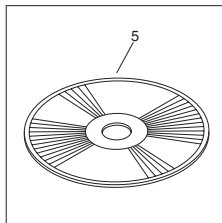
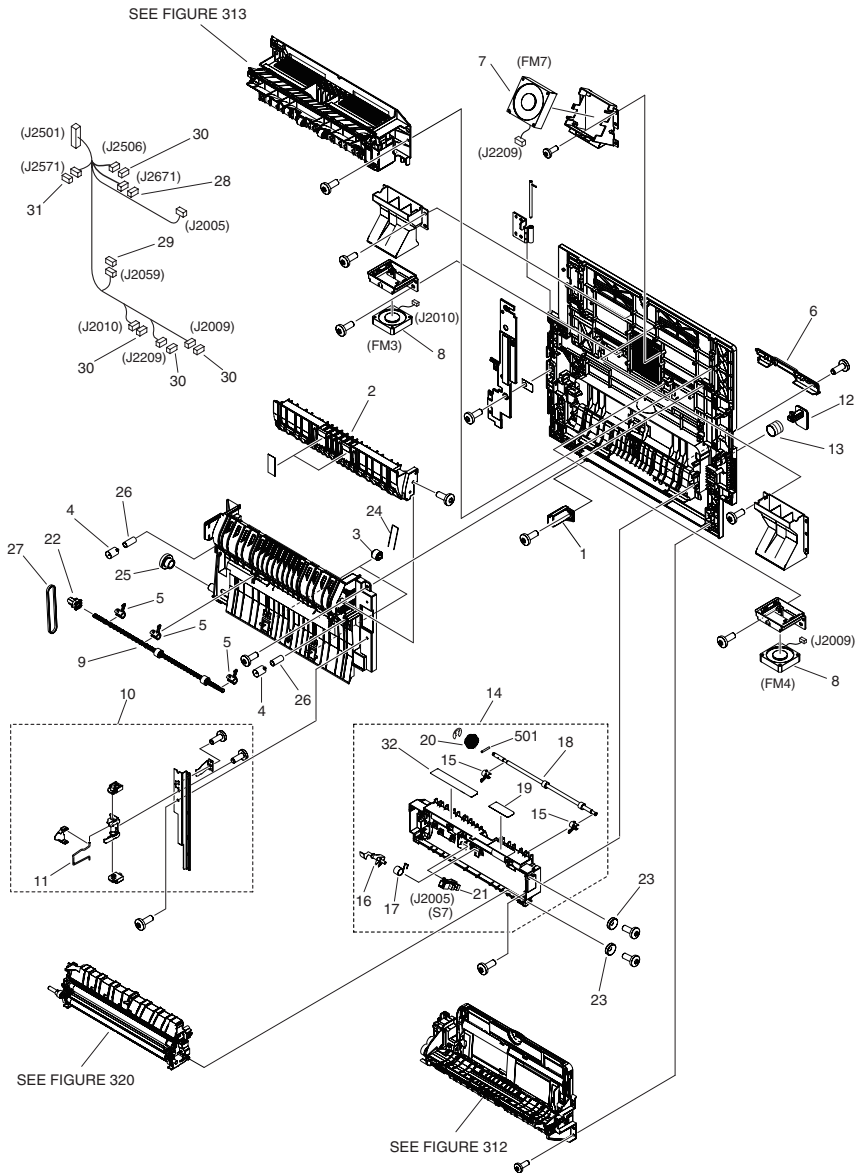


FIGURE & KEY NO.	PARTS NUMBER	RANK	Q'TY	DESCRIPTION	SERIAL NUMBER/REMARKS	SVC
Fig.001	NPN		RF	ACCESSORIES		
1	FK2-1845-000		1	CABLE, GROUNDING	100V	
2	FK3-2447-000		1	CD-ROM, SOFTWARE FOR LIPS/LX	Japanese	
3	FK3-2448-000		1	CD-ROM, SOFTWARE FOR UFR II	US English,UK English	
3	FK3-2449-000		1	CD-ROM, SOFTWARE FOR UFR II	English,French,Italian,German,Spanish	
3	FK3-2450-000		1	CD-ROM, SOFTWARE FOR UFR II	UK English,Simplified Chinese,Traditional Chinese,Korean	
4	FK3-2451-000		1	CD-ROM, SOFTWARE FOR PCL	English,French,Italian,German,Spanish	
5	FK3-2452-000		1	CD-ROM, SOFTWARE FOR FAX	FAX MODEL	
6	FC9-0145-000		2	PLATE, SIZE INDICATION		

FIGURE & KEY NO.	PARTS NUMBER	R A N K	Q'TY	DESCRIPTION	SERIAL NUMBER/ REMARKS	S V C
Fig.100	NPN		RF	EXTERNAL COVERS, PANELS, ETC.		
1	FC0-2470-000		1	COVER, FRONT, UPPER		
2	FC0-2471-000		1	PANEL, RIGHT LOWER, FRONT		
3	FC0-2472-000		1	PANEL, RIGHT LOWER, REAR		
4	FC0-2473-000		1	PANEL, LEFT		
5	FC0-2474-000		1	PANEL, LEFT LOWER		
6	FC0-2476-000		1	COVER, PAPER DELIVERY, REAR		
7	FC0-2477-000		1	PANEL, REAR		
8	FC0-2478-000		1	PANEL, LEFT REAR		
9	FC0-2482-000		1	PANEL, REAR LOWER		
10	FC0-2484-000		1	PANEL, PROTECTIVE		
11	FC0-2485-000		1	PANEL, DELIVERY TRAY AUXILIARY		
12	FC0-2486-000		1	PANEL, INNER RIGHT FRONT		
13	FC0-2592-000		1	PANEL, DELIVERY TRAY AUXILIARY		
14	FC0-2593-000		1	JOINT, PAPER DELIVERY COVER		
15	FC0-4674-000		2	PANEL, HANDLE		
16	FC0-4675-000		1	TRAY, PAPER DELIVERY, 2		
17	FC0-4676-000		1	PANEL, PAPER DELIVERY, LOWER		
18	FC0-4677-000		1	TRAY, PAPER DELIVERY, 1		
19	FC0-5250-000		1	LABEL, FAX	FAX MODEL	
20	FC8-4000-000		1	COVER, MAIN SWITCH		
21	FC9-0573-000		1	LABEL, WASTE TONER CHANGE, UP.		
22	FC0-4693-000		1	PANEL, RIGHT CENTER		
23	FC9-7281-000		1	LABEL, WASTE TONER CHANGE, LW.		
24	FC9-7861-000		1	LABEL, MAIN POWER SUPPLY	JP	
24	FC9-7862-000		1	LABEL, MAIN POWER SUPPLY	US,ASIA	
24	FC9-7863-000		1	LABEL, MAIN POWER SUPPLY	EU	
24	FC0-0225-000		1	LABEL, MAIN POWER SUPPLY	CN	
24	FC0-0226-000		1	LABEL, MAIN POWER SUPPLY	KR	
24	FC9-7861-000		1	LABEL, MAIN POWER SUPPLY	TW	
25	FL3-1185-000		1	EMBLEM		
26	FL3-6200-000		1	COVER, PAPER DELIVERY, REAR		

FIGURE & KEY NO.	PARTS NUMBER	R A N K	Q'TY	DESCRIPTION	SERIAL NUMBER/ REMARKS	S V C
27	FC0-2479-000		1	PANEL, RIGHT REAR		
28	FC0-2481-000		1	COVER, RIGHT REAR, SMALL		
29	FC8-8346-000		1	COVER, FAX CONNECTOR		
30	FC0-5223-000		1	LABEL, TONER	120V of IR-ADV 4051,4045	
30	FC0-5224-000		1	LABEL, TONER	120V of IR-ADV 4035,4025	
30	FC0-5225-000		1	LABEL, TONER	IR-ADV 4045I EUR 230V	
30	FC0-5226-000		1	LABEL, TONER	EUR 230V of IR-ADV 4035I,4025I	
30	FC0-5227-000		1	LABEL, TONER	220V of IR-ADV 4051,4045100V of IR-ADV 4045,4045FTW 120V of IR-ADV 4035	
30	FC0-5228-000		1	LABEL, TONER	100V of IR-ADV 4035F,4035,4025F,40252 20V IR-ADV 4035,4025TW 120V of IR-ADV 4035	
31	FU5-8901-000		1	LABEL, GROUNDING CAUTION	JP	
32	FC0-2538-000		1	MOUNT, SWITCH COVER		
33	XA9-1567-000		AR	SCREW, RS, M3X8.5		
34	FM4-9156-000		1	FRONT DOOR UNIT		
35	FC9-9069-000		1	HOLDER, SERVICE BOOK		
36	FC9-7297-000		4	SEAL, BLANKING		

FIGURE 102 RIGHT DOOR ASSEMBLY



NOTE : This assembly includes the assemblies shown in Figure 312, 313 and 320.
 注 : このユニットはFigure 312, 313, 320のユニットを含みます。

FIGURE & KEY NO.	PARTS NUMBER	R A N K	Q'TY	DESCRIPTION	SERIAL NUMBER/ REMARKS	S V C
Fig.102	FM4-9154-000		1	RIGHT DOOR ASSEMBLY	SEE NOTE	
1	FC0-2458-000		1	GUIDE, AUXILIARY		
2	FC0-2489-000		1	GUIDE, DUPLEXING PAPER FEED		
3	FC5-1358-000		2	COLLAR, FIXING DELIVERY		
4	FC5-6014-000		2	CAP, SPRING		
5	FC9-0717-000		3	BUSHING		
6	FE2-0503-000		1	COVER, MULTI ROLLER		
7	FK2-0360-000		1	FAN	FM7	
8	FK2-0472-010		2	FAN	FM3,FM4	
9	FL3-1448-000		1	ROLLER, DUPLEXING PAPER FEED		
10	FM3-9249-000		1	HOOK HOLDER UNIT		
11	FC9-1710-000		1	HOOK, WIRE		
12	FC0-4685-000		1	BUTTON, RIGHT DOOR		
13	FU7-2998-000		1	SPRING, COMPRESSION		
14	FM4-9152-000		1	DUPLEXING PAPER FEED ASSEMBLY		
15	FC9-0717-000		2	BUSHING		
16	FC9-8965-010		1	FLAG, REVERSE DETECT		
17	FC9-8966-000		1	SPRING, TORSION		
18	FL3-6203-000		1	ROLLER, DUPLEXING PAPER FEED		
19	FU6-8884-010		1	LABEL, ROLLER GRIP PROHIBITION		
20	FU9-0384-000		1	GEAR, 26T/26T		
21	WG8-5836-000		1	IC PHOTOINTERRUPTER, HYBRID	S7	
22	FU5-3796-000		1	PULLEY		
23	FU5-6014-000		2	COLLAR		
24	FU8-2883-000		2	SPRING, RETAINING		
25	FU8-0530-000		1	GEAR, 28T		
26	FU8-2798-000		2	SPRING, COMPRESSION		
27	XF2-3111-840		1	BELT, TIMING		
28	VS1-7173-003		1	CONNECTOR, SNAP TIGHT, 3P		
29	VS1-7177-002		1	CONNECTOR, SNAP TIGHT, BK		
30	VS1-7177-003		4	CONNECTOR, SNAP TIGHT, BK		
31	VS1-7177-005		1	CONNECTOR, SNAP TIGHT, BK		

FIGURE & KEY NO.	PARTS NUMBER	R A N K	Q'TY	DESCRIPTION	SERIAL NUMBER/ REMARKS	S V C
32	FE2-0747-000		1	LABEL, HIGH TMP. CAUTION		
501	XD3-2200-142		1	PIN, PARALLEL		

FIGURE 103 MACHINE FRONT PLATE

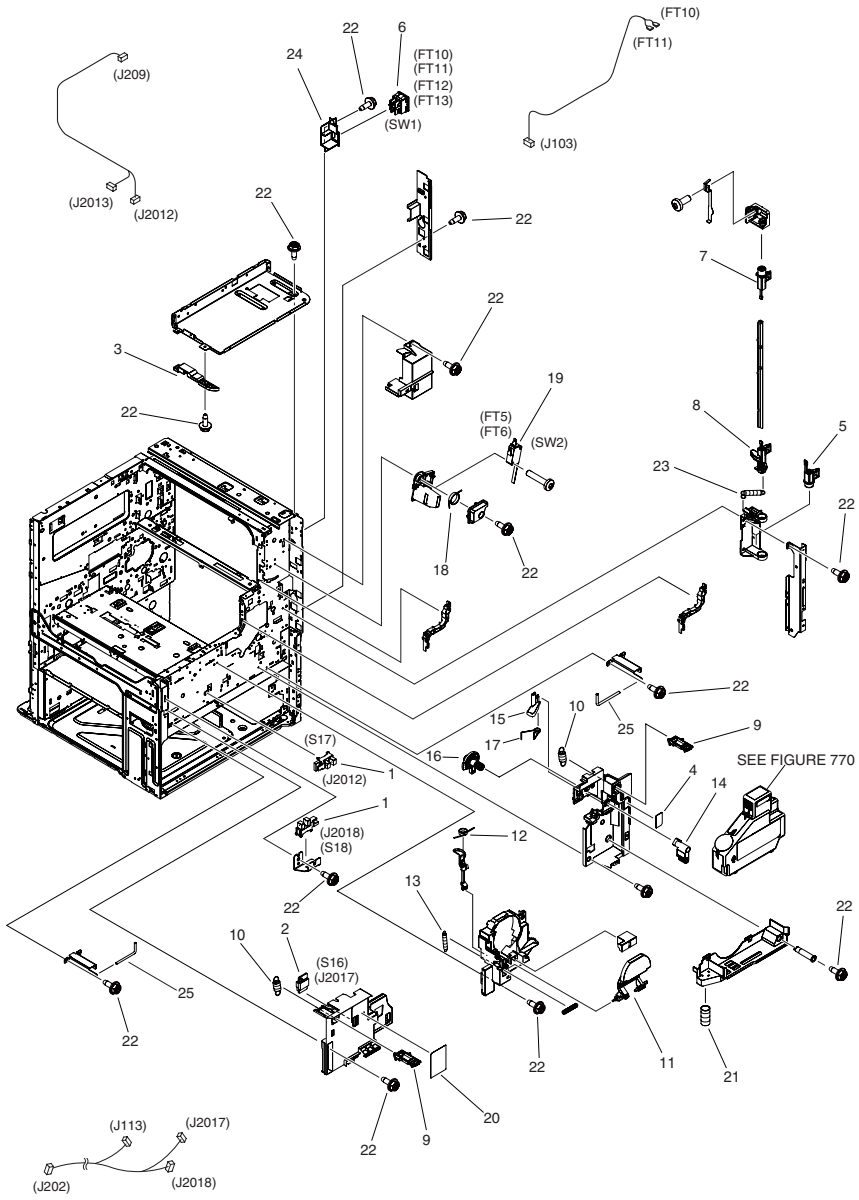


FIGURE & KEY NO.	PARTS NUMBER	R A N K	Q'TY	DESCRIPTION	SERIAL NUMBER/ REMARKS	S V C
Fig.103	NPN		RF	MACHINE FRONT PLATE		
1	WG8-5836-000		2	IC PHOTOINTERRUPTER, HYBRID	S17,S18	
2	WP2-5316-000		1	SENSOR, HUMIDITY	S16	
3	FC0-2532-000		1	COVER, CONTROL, LOWER		
4	FC9-0504-000		1	LABEL, WASTE TONER UNLOCK		
5	FC9-0900-000		1	HOOK, RIGHT DOOR, LOWER		
6	FK3-2046-000		1	SWITCH, MAIN	SW1	
7	FC9-0898-000		1	HOOK, RIGHT DOOR, UPPER		
8	FC9-0899-000		1	HOOK, RIGHT DOOR, CENTER		
9	FC9-1698-000		2	HOOK, FRONT DOOR		
10	FU7-2996-000		2	SPRING, TENSION		
11	FC0-2467-000		1	SHUTTER, BOTTLE		
12	FU8-2792-000		1	SPRING, TORSION		
13	FU8-2794-000		1	SPRING, TENSION		
14	FC9-0502-000		1	LEVER, BOTTLE EXCHANGE		
15	FC9-0503-000		1	LEVER, HANDLE LOCK		
16	FC9-7708-000		1	GEAR, 7T		
17	FU7-2912-000		1	SPRING, TORSION		
18	FU7-2997-000		1	SPRING, TORSION		
19	WC4-5242-000		1	SWITCH, MICRO	SW2	
20	FU6-8880-000		1	LABEL, LASER CAUTION		
21	FU7-2911-000		1	SPRING, COMPRESSION		
22	XA9-1567-000		AR	SCREW, RS, M3X8.5		
23	FU6-2194-000		1	SPRING, TENSION		
24	FC0-2539-000		1	HOLDER, SWITCH		
25	FA8-2446-000		2	PIN, HINGE		

FIGURE 104 INTERNAL COMPONENTS 1

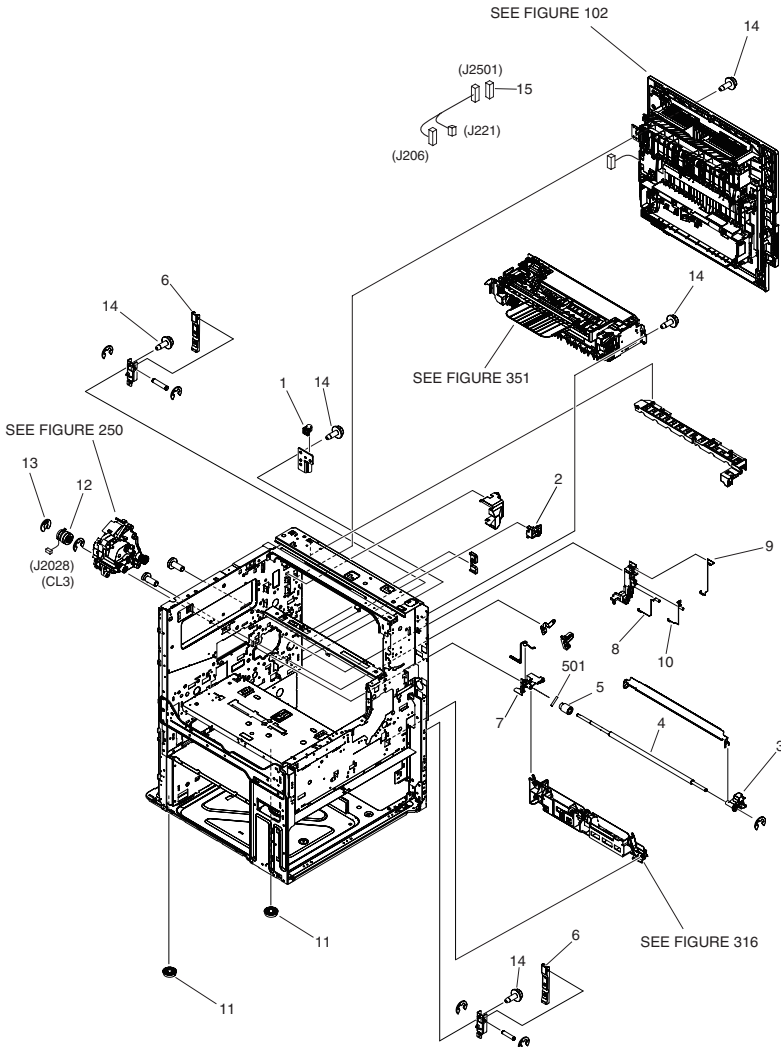


FIGURE & KEY NO.	PARTS NUMBER	R A N K	Q'TY	DESCRIPTION	SERIAL NUMBER/ REMARKS	S V C
Fig.104	NPN		RF	INTERNAL COMPONENTS 1		
1	FC0-2537-000		1	CAM, DOOR HINGE, RIGHT		
2	FC0-5233-000		1	GUIDE, DUPLEXING AUXILIARY		
3	FC9-0545-000		1	BUSHING		
4	FC9-0552-000		1	ROLLER, REGISTRATION PRESSURE		
5	FU8-0508-000		1	GEAR, 17T		
6	FC9-0562-010		2	LEVER, RIGHT		
7	FC0-2459-000		1	BALL BEARING UNIT, L-1680HHP0P		
8	FC9-0989-000		1	SPRING, CONTACT		
9	FC9-0990-000		1	SPRING, CONTACT		
10	FC9-0991-000		1	SPRING, CONTACT		
11	XH9-0136-000		2	FOOT, RUBBER		
12	FK2-9154-000		1	CLUTCH	CL3	
13	FC8-6380-000		1	CLIP		
14	XA9-1567-000		AR	SCREW, RS, M3X8.5		
15	VS1-8412-025		1	CONNECTOR, SNAP TIGHT, BL		
501	XD3-1200-122		1	SPRING PIN		

FIGURE 105 INTERNAL COMPONENTS 2

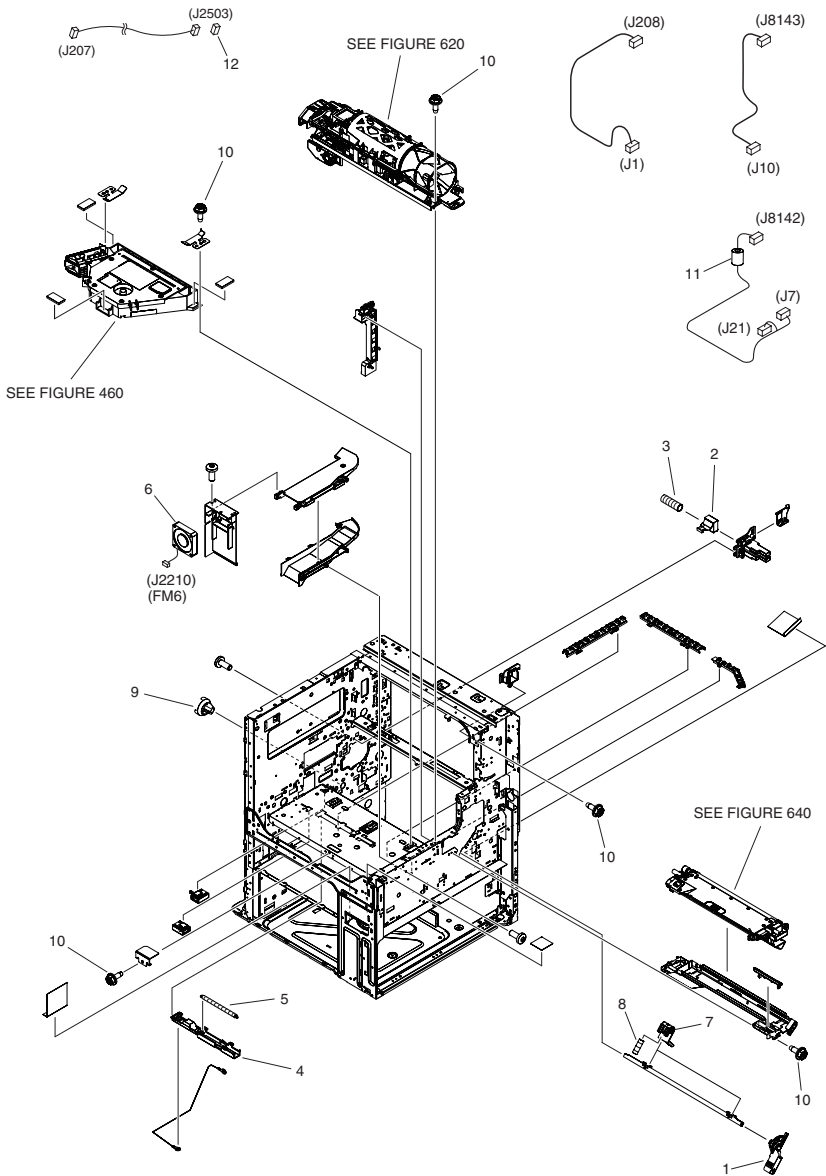


FIGURE & KEY NO.	PARTS NUMBER	RANK	Q'TY	DESCRIPTION	SERIAL NUMBER/REMARKS	SVC
Fig.105	NPN		RF	INTERNAL COMPONENTS 2		
1	FC9-0512-000		1	HANDLE, PRESSURE		
2	FC9-0533-000		1	SLIDER, LASER SHUTTER		
3	FU7-2913-000		1	SPRING, COMPRESSION		
4	FC9-1623-000		1	LINK, LASER SHUTTER		
5	FU7-2972-000		1	SPRING, TENSION		
6	FK2-0472-010		1	FAN	FM6	
7	FC9-0609-000		2	CAM, DEVELOPING PRESSURE		
8	FU8-2801-000		2	SPRING, COMPRESSION		
9	FU5-1030-000		1	BUSHING		
10	XA9-1567-000		AR	SCREW, RS, M3X8.5		
11	WE8-6823-000		1	CORE, FERRITE		
12	VS1-7173-010		1	CONNECTOR, SNAP TIGHT, 10P, W		

FIGURE 106 INTERNAL COMPONENTS 3

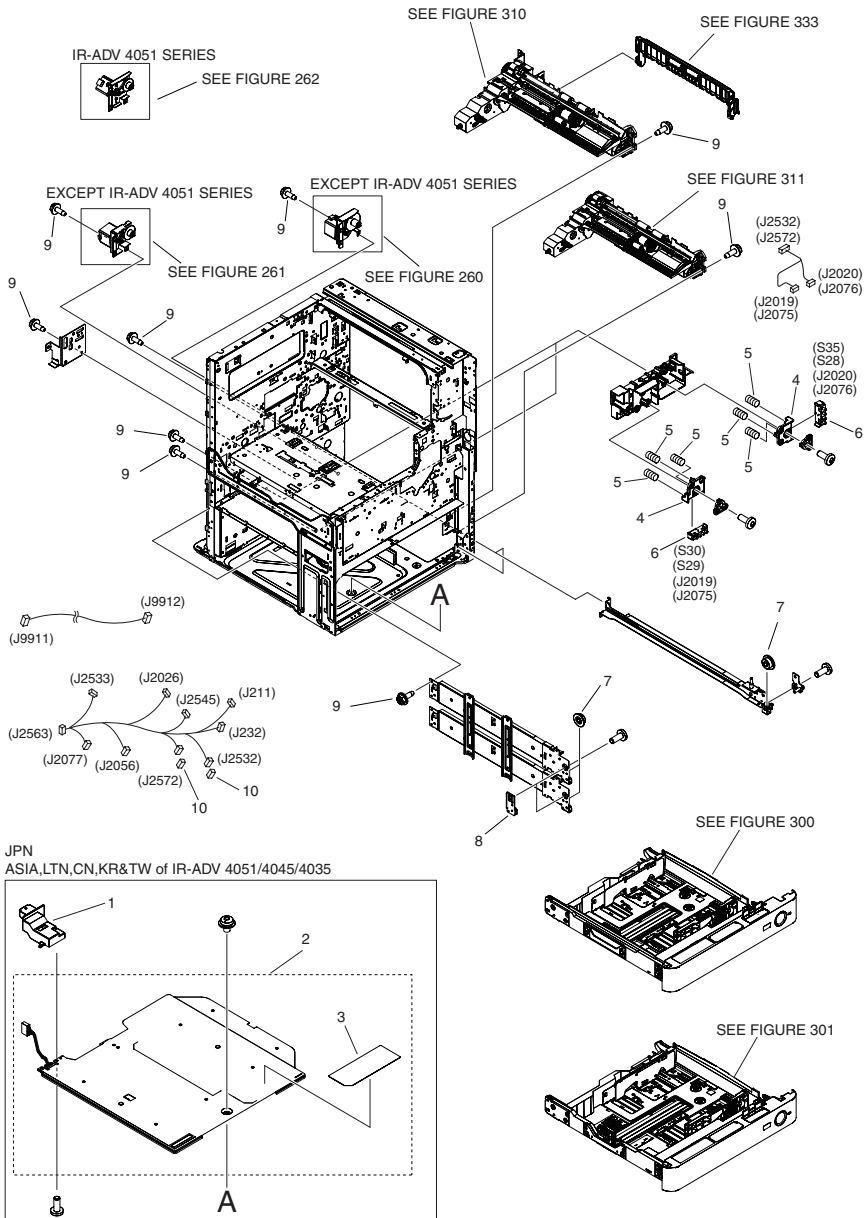


FIGURE & KEY NO.	PARTS NUMBER	R A N K	Q'TY	DESCRIPTION	SERIAL NUMBER/ REMARKS	S V C
Fig.106	NPN		RF	INTERNAL COMPONENTS 3		
1	FC9-4691-000		1	COVER, HEATER CONNECTOR	JAPASIA,LTN,CN,KR&TW of IR-ADV 4051,4045,4035	
2	FM3-8915-000		1	CASSETTE HEATER ASSEMBLY	JAPASIA,LTN,CN,KR&TW of IR-ADV 4051,4045,4035	
3	FU6-8647-000		1	LABEL, HIGH TMP. CAUTION	JAPASIA,LTN,CN,KR&TW of IR-ADV 4051,4045,4035	
4	FC8-2478-000		4	HOLDER, SWITCH		
5	FU7-2332-000		12	SPRING, COMPRESSION		
6	WC2-5680-000		4	SWITCH, DETECT PUSH	S28,S29,S30,S35	
7	FC8-4999-000		4	ROLLER, RAIL		
8	FL3-1456-000		2	RAIL, ROLLER SHAFT PLATE, LEFT		
9	XA9-1567-000		AR	SCREW, RS, M3X8.5		
10	VS1-7173-010		2	CONNECTOR, SNAP TIGHT, 10P, W		

FIGURE 107 INTERNAL COMPONENTS 4

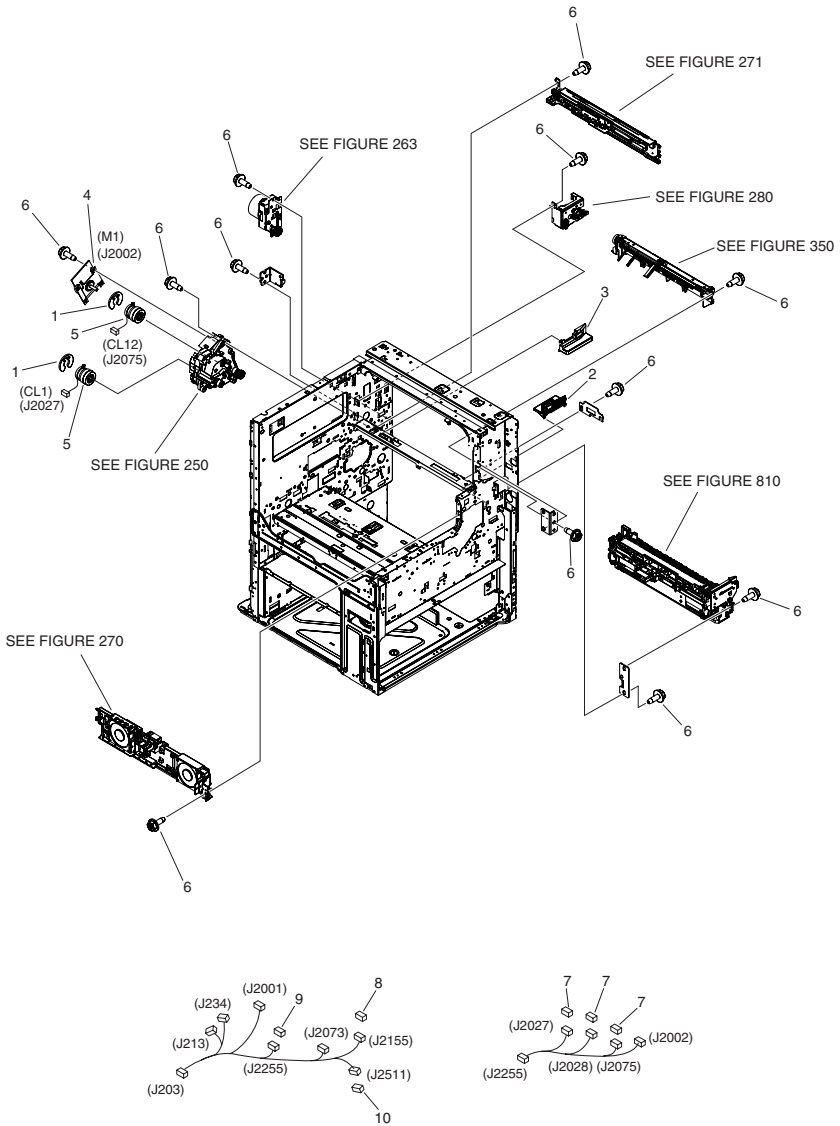


FIGURE & KEY NO.	PARTS NUMBER	RANK	Q'TY	DESCRIPTION	SERIAL NUMBER/REMARKS	SVC
Fig.107	NPN		RF	INTERNAL COMPONENTS 4		
1	FC8-6380-000		2	CLIP		
2	FC9-0535-000		1	RAIL, FIXING, FRONT		
3	FC9-0536-000		1	RAIL, FIXING, REAR		
4	FK2-9141-000		1	MOTOR, DC	M1	
5	FK2-9154-000		2	CLUTCH	CL1,CL12	
6	XA9-1567-000		AR	SCREW, RS, M3X8.5		
7	VS1-7177-002		3	CONNECTOR, SNAP TIGHT, BK		
8	VS1-7173-010		1	CONNECTOR, SNAP TIGHT, 10P, W		
9	VS1-7173-013		1	CONNECTOR, SNAP TIGHT, 13P, W		
10	VS1-8412-015		1	CONNECTOR, SNAP TIGHT, BL		

FIGURE 108 INTERNAL COMPONENTS 5

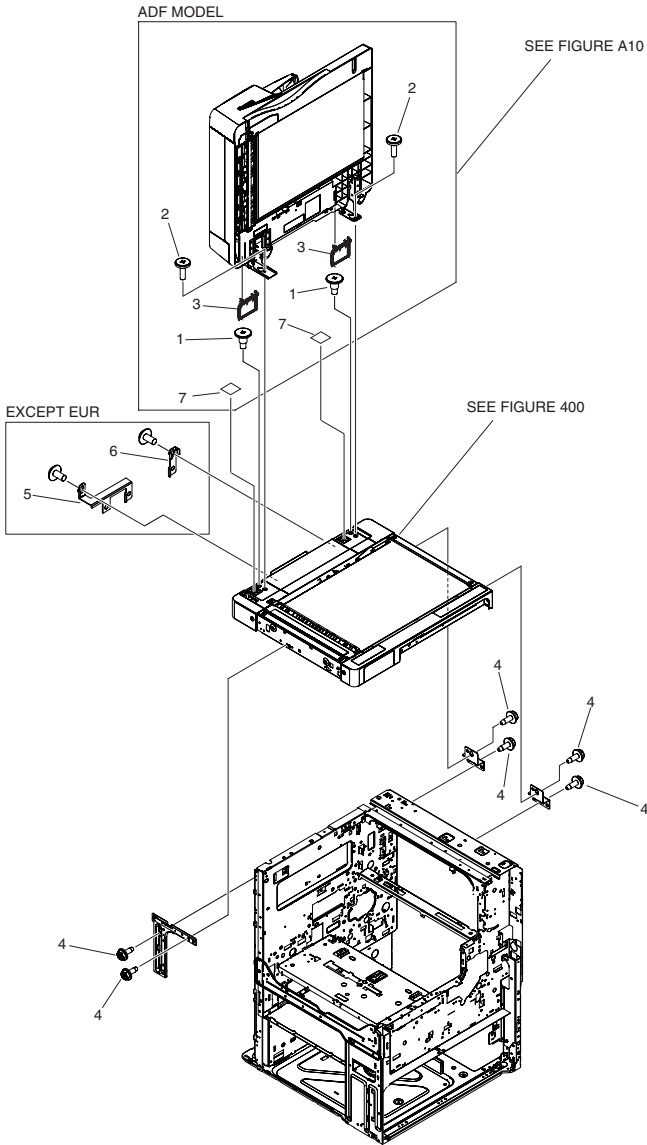


FIGURE & KEY NO.	PARTS NUMBER	RANK	Q'TY	DESCRIPTION	SERIAL NUMBER/REMARKS	SVC
Fig.108	NPN		RF	INTERNAL COMPONENTS 5		
1	FU5-9139-000		2	SCREW, STEPPED, M5X6	ADF MODEL	
2	FU5-9140-000		2	SCREW, STEPPED, M4X10	ADF MODEL	
3	FC9-6192-010		2	COVER, HINGE BLANKING	ADF MODEL	
4	XA9-1567-000		AR	SCREW, RS, M3X8.5		
5	FL3-5310-000		1	PLATE, READER JOINT, LEFT	EXCEPT EUR	
6	FC0-2499-000		1	PLATE, READER JOINT, RIGHT	EXCEPT EUR	
7	FC9-6193-000		2	SHEET, BLANKING	ADF MODEL	

FIGURE 109 MACHINE REAR PLATE 1

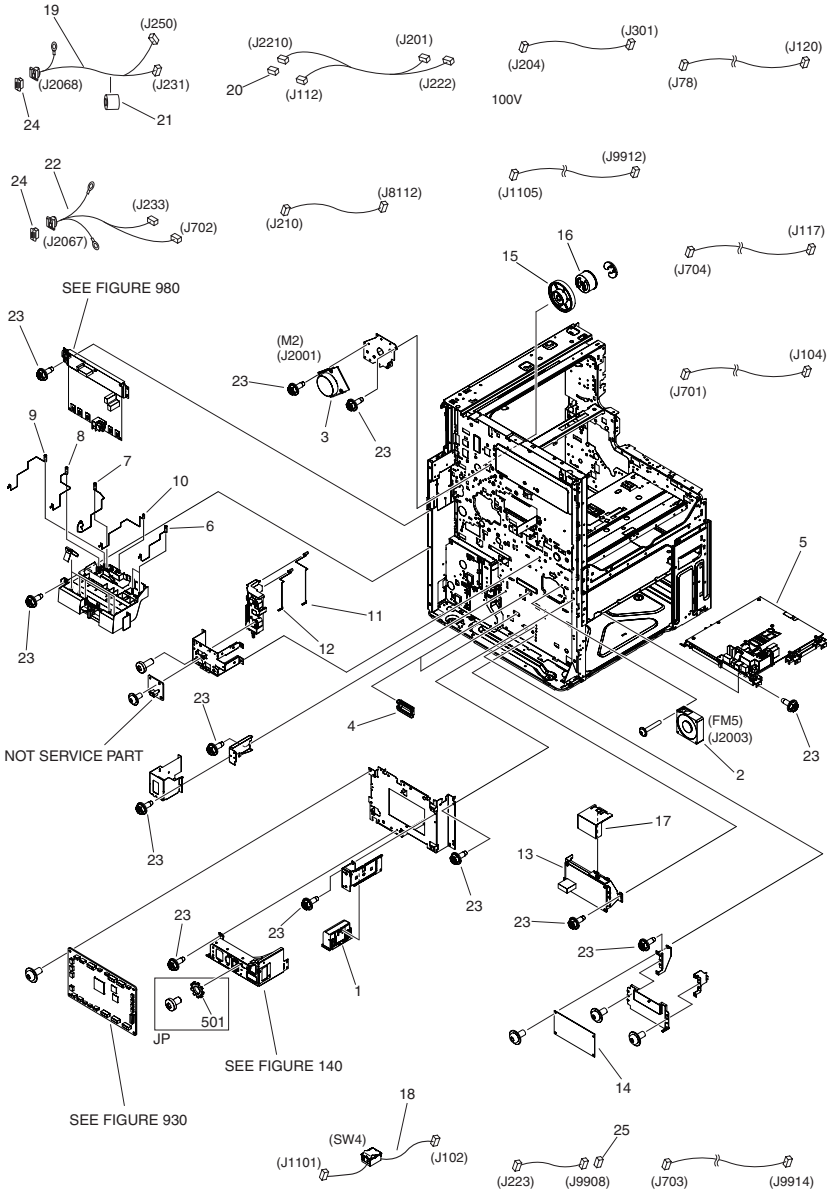


FIGURE & KEY NO.	PARTS NUMBER	R A N K	Q'TY	DESCRIPTION	SERIAL NUMBER/ REMARKS	S V C
Fig.109	NPN		RF	MACHINE REAR PLATE		
1	FC6-4689-000		1	HANDLE		
2	FK2-0360-000		1	FAN	FM5	
3	FK2-9145-000		1	MOTOR, DC	M2	
4	FC7-2409-000		2	BUSHING		
5	FM4-7876-000		1	POWER SUPPLY ASSEMBLY	100V	
5	FM4-7877-000		1	POWER SUPPLY ASSEMBLY	120V	
5	FM4-7878-000		1	POWER SUPPLY ASSEMBLY	230V	
6	FC0-2577-000		2	SPRING, CONTACT		
7	FC0-2578-000		1	SPRING, CONTACT		
8	FC0-2579-000		1	SPRING, CONTACT		
9	FC0-2580-000		1	SPRING, CONTACT		
10	FC0-2581-000		1	SPRING, CONTACT		
11	FC9-0992-000		1	SPRING, CONTACT		
12	FC9-0993-000		1	SPRING, CONTACT		
13	FM4-7892-000		1	ACC POWER SUPPLY ASSEMBLY	100V, 120V	
13	FM4-7893-000		1	ACC POWER SUPPLY ASSEMBLY	230V	
14	FM4-8593-000		1	CASSETTE HEATER PCB ASSEMBLY	100V	
14	FM4-8594-000		1	CASSETTE HEATER PCB ASSEMBLY	200V	
15	FU9-0324-000		1	GEAR, 106T		
16	FU9-0385-000		1	GEAR, 24T		
17	FC9-8970-000		1	COVER, POWER SUPPLY		
18	FM4-7627-000		1	CABLE, ENVIRONMENT SWITCH	SW4	
19	FM4-7681-000		1	CABLE, DECK LATTICE		
20	VS1-7177-003		1	CONNECTOR, SNAP TIGHT, BK		
21	WE8-6825-000		1	CORE, FERRITE		
22	FM4-8590-000		1	CABLE, FINISHER SIGNAL		
23	XA9-1567-000		AR	SCREW, RS, M3X8.5		
24	FC0-0205-000		2	COVER, CONNECTOR		
25	VS1-8412-015		1	CONNECTOR, SNAP TIGHT, BL		
501	XD1-4200-402		1	WASHER, TOOTHED LOCK, M4	JP	

FIGURE 110 MACHINE REAR PLATE 2

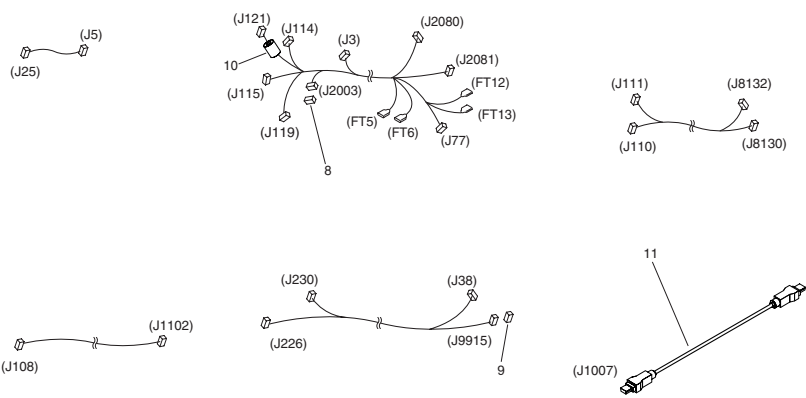
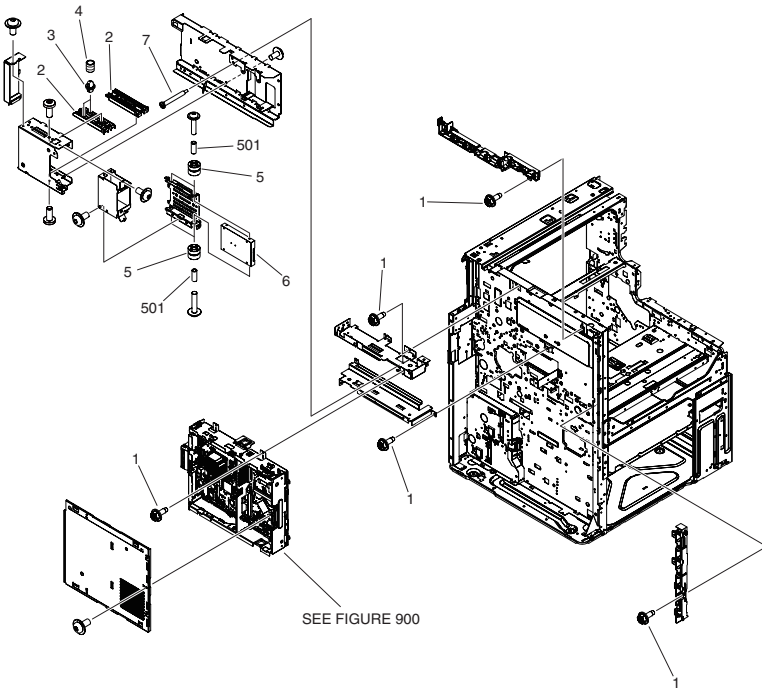


FIGURE & KEY NO.	PARTS NUMBER	R A N K	Q'TY	DESCRIPTION	SERIAL NUMBER/ REMARKS	S V C
Fig.110	NPN		RF	MACHINE REAR PLATE		
1	XA9-1567-000		AR	SCREW, RS, M3X8.5		
2	FC8-4051-000		2	RAIL, HARD DISK DRIVE GUIDE		
3	FC9-7865-000		2	PIN, LOCK		
4	FU8-2289-000		2	SPRING, COMPRESSION		
5	FE2-0465-000		4	DAMPER, BUSHING		
6	FK2-9316-000		1	HDD,MK1665GSX		
7	FE2-0468-000		1	SCREW, STEPPED, M3		
8	VS1-7177-003		1	CONNECTOR, SNAP TIGHT, BK		
9	VS1-8412-011		1	CONNECTOR, SNAP TIGHT, BL		
10	WE8-6817-000		1	CORE, FERRITE		
11	FK3-1554-000		1	CABLE, USB		
501	XZ1-1301-005		4	SPACER		

FIGURE & KEY NO.	PARTS NUMBER	R A N K	Q'TY	DESCRIPTION	SERIAL NUMBER/ REMARKS	S V C
Fig.130	FM4-9692-000		1	CONTROL PANEL ASSEMBLY	IR-ADV 4051 120V	
Fig.130	FM4-9696-000		1	CONTROL PANEL ASSEMBLY	IR-ADV 4051 230V	
Fig.130	FM4-9698-000		1	CONTROL PANEL ASSEMBLY	IR-ADV 4051I EUR 230V	
Fig.130	FM4-9699-000		1	CONTROL PANEL ASSEMBLY	IR-ADV 4045 100V	
Fig.130	FM4-9700-000		1	CONTROL PANEL ASSEMBLY	IR-ADV 4045 120V	
Fig.130	FM4-9704-000		1	CONTROL PANEL ASSEMBLY	IR-ADV 4045 230V	
Fig.130	FM4-9705-000		1	CONTROL PANEL ASSEMBLY	IR-ADV 4045F 100V	
Fig.130	FM4-9706-000		1	CONTROL PANEL ASSEMBLY	IR-ADV 4045I EUR 230V	
Fig.130	FM4-9707-000		1	CONTROL PANEL ASSEMBLY	IR-ADV 4035 100V	
Fig.130	FM4-9708-000		1	CONTROL PANEL ASSEMBLY	IR-ADV 4035 120V	
Fig.130	FM4-9712-000		1	CONTROL PANEL ASSEMBLY	IR-ADV 4035 230V	
Fig.130	FM4-9713-000		1	CONTROL PANEL ASSEMBLY	IR-ADV 4035F 100V	
Fig.130	FM4-9714-000		1	CONTROL PANEL ASSEMBLY	IR-ADV 4035I EUR 230V	
Fig.130	FM4-9715-000		1	CONTROL PANEL ASSEMBLY	IR-ADV 4025 100V	
Fig.130	FM4-9716-000		1	CONTROL PANEL ASSEMBLY	IR-ADV 4025 120V	
Fig.130	FM4-9720-000		1	CONTROL PANEL ASSEMBLY	IR-ADV 4025 230V	
Fig.130	FM4-9721-000		1	CONTROL PANEL ASSEMBLY	IR-ADV 4025F 100V	
Fig.130	FM4-9722-000		1	CONTROL PANEL ASSEMBLY	IR-ADV 4025I EUR 230V	
Fig.130	FM4-9693-000		1	CONTROL PANEL ASSEMBLY	IR-ADV 4051 CN 220V	
Fig.130	FM4-9694-000		1	CONTROL PANEL ASSEMBLY	IR-ADV 4051 KR 220V	
Fig.130	FM0-1876-000		1	CONTROL PANEL ASSEMBLY	IR-ADV 4051A KR 220V	
Fig.130	FM4-9695-000		1	CONTROL PANEL ASSEMBLY	IR-ADV 4051 TW 120V	
Fig.130	FM4-9701-000		1	CONTROL PANEL ASSEMBLY	IR-ADV 4045 CN 220V	
Fig.130	FM4-9702-000		1	CONTROL PANEL ASSEMBLY	IR-ADV 4045 KR 220V	
Fig.130	FM0-1877-000		1	CONTROL PANEL ASSEMBLY	IR-ADV 4045A KR 220V	
Fig.130	FM4-9703-000		1	CONTROL PANEL ASSEMBLY	IR-ADV 4045 TW 120V	
Fig.130	FM4-9709-000		1	CONTROL PANEL ASSEMBLY	IR-ADV 4035 CN 220V	
Fig.130	FM4-9710-000		1	CONTROL PANEL ASSEMBLY	IR-ADV 4035 KR 220V	
Fig.130	FM0-1878-000		1	CONTROL PANEL ASSEMBLY	IR-ADV 4035A KR 220V	
Fig.130	FM4-9711-000		1	CONTROL PANEL ASSEMBLY	IR-ADV 4035 TW 120V	
Fig.130	FM4-9717-000		1	CONTROL PANEL ASSEMBLY	IR-ADV 4025 CN 220V	
Fig.130	FM4-9718-000		1	CONTROL PANEL ASSEMBLY	IR-ADV 4025 KR 220V	

FIGURE & KEY NO.	PARTS NUMBER	R A N K	Q'TY	DESCRIPTION	SERIAL NUMBER/ REMARKS	S V C
Fig.130	FM4-9719-000		1	CONTROL PANEL ASSEMBLY	IR-ADV 4025A KR 220V	
1	FM4-9164-000		1	CONTROL PANEL ASSEMBLY, UPPER		
2	FC0-2531-000		1	COVER, CONTROL PANEL		
3	FC8-7823-000		1	COVER, LAMP		
4	FC8-7824-000		1	KEY TOP, BRIGHTNESS ADJUSTMENT		
5	FC8-7834-000		1	KEY TOP, VOLUME		
6	FE2-0750-000		1	TAPE, FIXED		
7	FC8-8649-000		1	KEY TOP, SETTINGS/REGISTRATION		
8	FC8-8650-000		1	KEY TOP, POWER		
9	FC8-8653-000		1	KEY TOP, STOP		
10	FC8-8655-000		1	KEY TOP, COUNTER CHECK		
11	FC8-8660-000		1	KEY TOP, NUMBERS		
12	FC8-8679-000		2	PLATE, GROUNDING		
13	FC9-4390-000		1	COVER, KEY TOP, LEFT		
14	FC9-4391-000		1	COVER, KEY TOP, RIGHT		
15	FC9-4408-000		1	COVER, PEN		
16	FC9-9237-000		1	KEY TOP, RESET		
17	FC9-9238-000		1	KEY TOP, CANCEL		
18	FC9-9239-000		1	KEY TOP, MAIN MENU		
19	FC9-9240-000		1	KEY TOP, PORTAL		
20	KE8-1168-100		1	GASKET		
21	FK3-1657-000		1	CABLE, USB		
22	FL3-0626-000		1	PEN, TOUCH PANEL		
23	KE8-1162-060		1	GASKET		
24	FL3-0833-000		1	KEY TOP, START		
25	FL3-5298-000		1	SHEET, CONTROL PANEL	IR-ADV 4045 100V	
25	FL3-5299-000		1	SHEET, CONTROL PANEL	IR-ADV 4045F 100V	
25	FL3-5303-000		1	SHEET, CONTROL PANEL	IR-ADV 4035 100V	
25	FL3-5304-000		1	SHEET, CONTROL PANEL	IR-ADV 4035F 100V	
25	FL3-5305-000		1	SHEET, CONTROL PANEL	IR-ADV 4025 100V	
25	FL3-5313-000		1	SHEET, CONTROL PANEL	IR-ADV 4025F 100V	

FIGURE & KEY NO.	PARTS NUMBER	RANK	Q'TY	DESCRIPTION	SERIAL NUMBER/REMARKS	SVC
25	FL3-5314-000		1	SHEET, CONTROL PANEL	IR-ADV 4051 120V, IR-ADV 4051 230V	
25	FL3-5315-000		1	SHEET, CONTROL PANEL	IR-ADV 4045 120V, IR-ADV 4045 230V	
25	FL3-5316-000		1	SHEET, CONTROL PANEL	IR-ADV 4035 120V, IR-ADV 4035 230V	
25	FL3-5322-000		1	SHEET, CONTROL PANEL	IR-ADV 4025 120V, IR-ADV 4025 230V	
25	FL3-5323-000		1	SHEET, CONTROL PANEL	IR-ADV 4051i EUR 230V	
25	FL3-5324-000		1	SHEET, CONTROL PANEL	IR-ADV 4045i EUR 230V	
25	FL3-5325-000		1	SHEET, CONTROL PANEL	IR-ADV 4035i EUR 230V	
25	FL3-5326-000		1	SHEET, CONTROL PANEL	IR-ADV 4025i EUR 230V	
25	FL3-5598-000		1	SHEET, CONTROL PANEL	IR-ADV 4051 CN 220V	
25	FL3-5599-000		1	SHEET, CONTROL PANEL	IR-ADV 4045 CN 220V	
25	FL3-5600-000		1	SHEET, CONTROL PANEL	IR-ADV 4035 CN 220V	
25	FL3-5601-000		1	SHEET, CONTROL PANEL	IR-ADV 4025 CN 220V	
25	FL3-5602-000		1	SHEET, CONTROL PANEL	IR-ADV 4051 KR 220V	
25	FL3-5603-000		1	SHEET, CONTROL PANEL	IR-ADV 4051A KR 220V	
25	FL3-5609-000		1	SHEET, CONTROL PANEL	IR-ADV 4045 KR 220V	
25	FL3-5610-000		1	SHEET, CONTROL PANEL	IR-ADV 4045A KR 220V	
25	FL3-6204-000		1	SHEET, CONTROL PANEL	IR-ADV 4035 KR 220V	
25	FL3-6205-000		1	SHEET, CONTROL PANEL	IR-ADV 4035A KR 220V	
25	FL3-6207-000		1	SHEET, CONTROL PANEL	IR-ADV 4025 KR	
25	FL3-6208-000		1	SHEET, CONTROL PANEL	IR-ADV 4025A KR 220V	
25	FL3-6210-000		1	SHEET, CONTROL PANEL	IR-ADV 4051 TW 120V	
25	FL3-6211-000		1	SHEET, CONTROL PANEL	IR-ADV 4045 TW 120V	
25	FL3-6212-000		1	SHEET, CONTROL PANEL	IR-ADV 4035 TW 120V	
26	FL3-6215-000		1	LCD UNIT		
27	FM4-1194-000		1	KEY TOP PCB ASSEMBLY		
28	FM4-1195-000		1	KEY TOP PCB ASSEMBLY, SUB		
29	FM4-1198-000		1	CONTROL PANEL VOLUME ASSEMBLY		
30	FM4-9739-000		1	CPU PCB ASSEMBLY		
31	WE8-5600-000		1	FERRITE CORE, RING TYPE		
32	WE8-5731-000		1	RING CORE		

FIGURE & KEY NO.	PARTS NUMBER	R A N K	Q'TY	DESCRIPTION	SERIAL NUMBER/ REMARKS	S V C
33	FK3-1555-000		1	CABLE, CONTROL PANEL	SEE NOTE	
34	FK2-8477-000		1	TOUCH PANEL ASSEMBLY		

FIGURE 140 POWER CORD TERMINAL ASSEMBLY

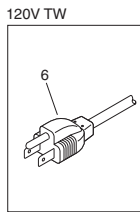
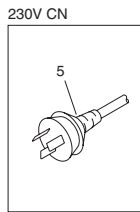
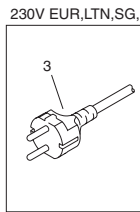
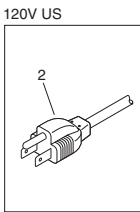
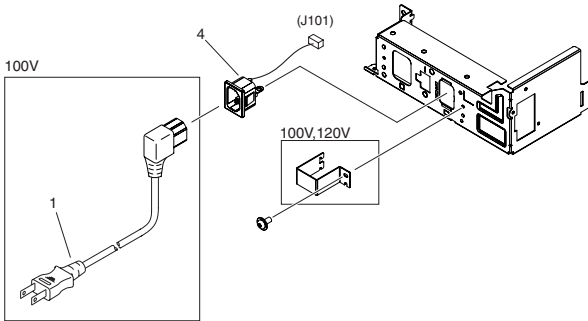


FIGURE & KEY NO.	PARTS NUMBER	RANK	QTY	DESCRIPTION	SERIAL NUMBER/REMARKS	SVC
Fig.140	NPN		RF	POWER CORD TERMINAL ASS'Y		
1	FM2-5951-000		1	CORD, POWER	100V	
2	FM4-0040-000		1	CORD, POWER	120V US	
3	FM2-4786-000		1	POWER CORD	230V EUR,LTN,SG,HK,AU,KR	
4	FM4-7621-000		1	CABLE, AC INLET	EXCEPT 100V	
4	FM4-7675-000		1	CABLE, AC INLET	100V	
5	FM2-4787-000		1	POWER CORD	230V CN	
6	FM4-7836-000		1	POWER CORD	120V TW	

FIGURE 250
MAIN DRIVE ASSEMBLY

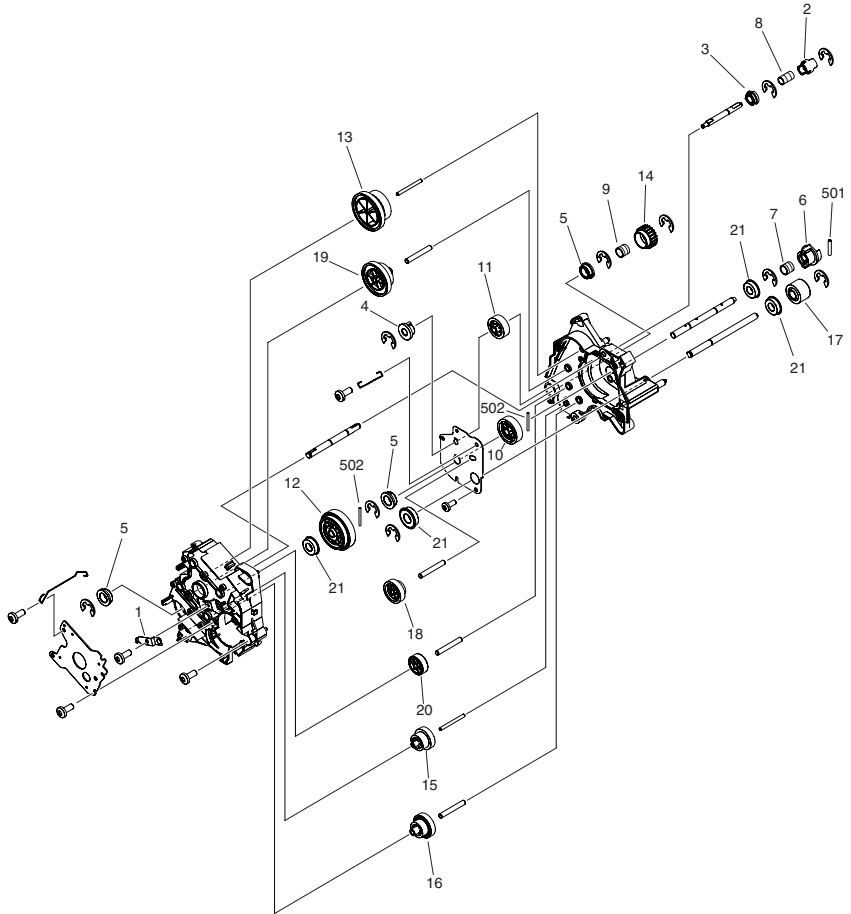


FIGURE & KEY NO.	PARTS NUMBER	R A N K	Q'TY	DESCRIPTION	SERIAL NUMBER/ REMARKS	S V C
Fig.250	FM4-9179-000		1	MAIN DRIVE ASSEMBLY		
1	FE2-0459-000		1	PLATE, GROUNDING		
2	FC9-0922-000		1	COUPLING		
3	FC9-0923-000		1	BUSHING		
4	FC9-0924-000		1	BUSHING		
5	FC9-1593-000		3	BUSHING		
6	FC7-2666-000		1	COUPLING, DRUM		
7	FU7-2962-000		1	SPRING, COMPRESSION		
8	FU7-2960-000		1	SPRING, COMPRESSION		
9	FU7-2961-000		1	SPRING, COMPRESSION		
10	FU8-0539-000		1	GEAR, 40T		
11	FU8-0540-000		1	GEAR, 25T		
12	FU8-0541-000		1	GEAR, 99T/52T		
13	FU8-0542-000		1	GEAR, 99T/75T		
14	FU8-0547-000		1	GEAR, 22T		
15	FU8-0555-000		1	GEAR, 35T/26T		
16	FU9-0378-000		1	GEAR, 24T/39T		
17	FU9-0379-000		1	GEAR, 21T		
18	FU9-0380-000		1	GEAR, 18T		
19	FU9-0381-000		1	GEAR, 37T/87T		
20	FU9-0382-000		1	GEAR, 29T		
21	XG9-0508-000		4	BEARING, BALL, F688ZZ		
501	XD3-2250-122		1	PIN, DOWELL, 2.5X12		
502	XD3-2200-222		2	PIN		

FIGURE 260
PAPER PICK-UP DRIVE ASSEMBLY
(UPPER)(EXCEPT IR-ADV 4051 SERIES)

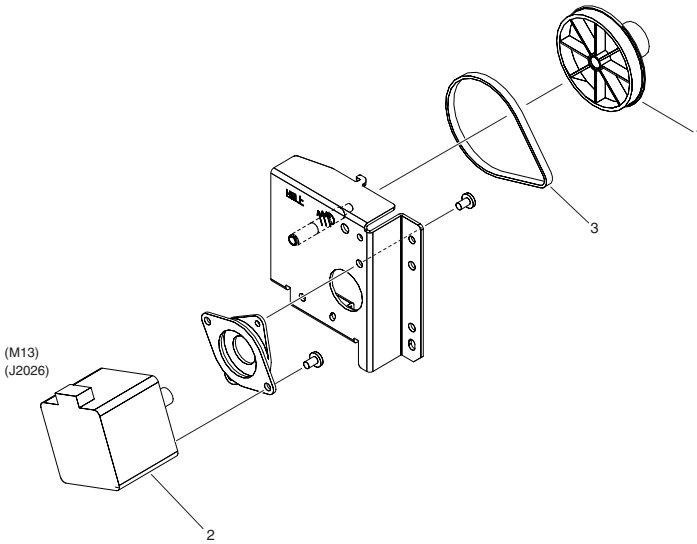


FIGURE & KEY NO.	PARTS NUMBER	RANK	Q'TY	DESCRIPTION	SERIAL NUMBER/REMARKS	SVC
Fig.260	FM4-7923-000		1	PAPER PICK-UP DRIVE ASS'Y	UPPER EXCEPT IR-ADV 4051 SERIES	
1	FC5-1516-000		1	PULLEY, 80T		
2	FK2-7327-000		1	MOTOR, STEPPING	M13	
3	XF2-1609-040		1	BELT, TIMING		

FIGURE 261 PAPER PICK-UP DRIVE ASSEMBLY (LOWER)(EXCEPT IR-ADV 4051 SERIES)

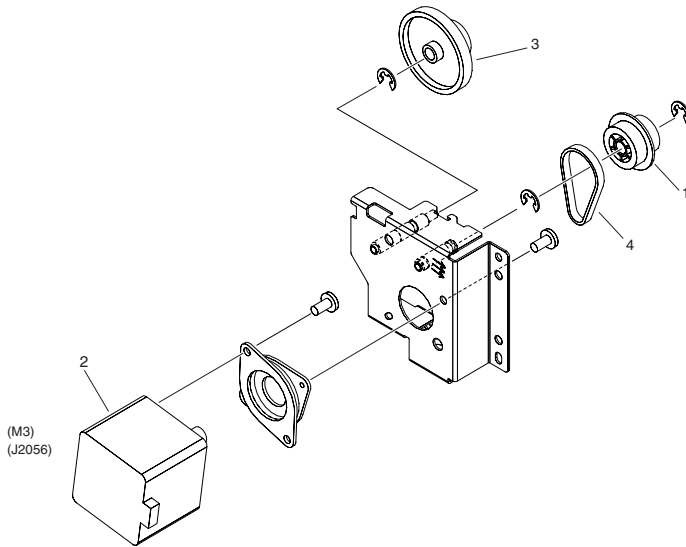


FIGURE & KEY NO.	PARTS NUMBER	RANK	Q'TY	DESCRIPTION	SERIAL NUMBER/REMARKS	SVC
Fig.261	FM4-7902-000		1	PAPER PICK-UP DRIVE ASS'Y	LOWER EXCEPT IR-ADV 4051 SERIES	
1	FC6-5022-000		1	PULLEY, 34T		
2	FK2-7327-000		1	MOTOR, STEPPING	M3	
3	FU3-0285-000		1	GEAR, 80T/16T		
4	XF2-1604-940		1	BELT, TIMING		

FIGURE 262 PAPER PICK-UP DRIVE ASSEMBLY (IR-ADV 4051 SERIES)

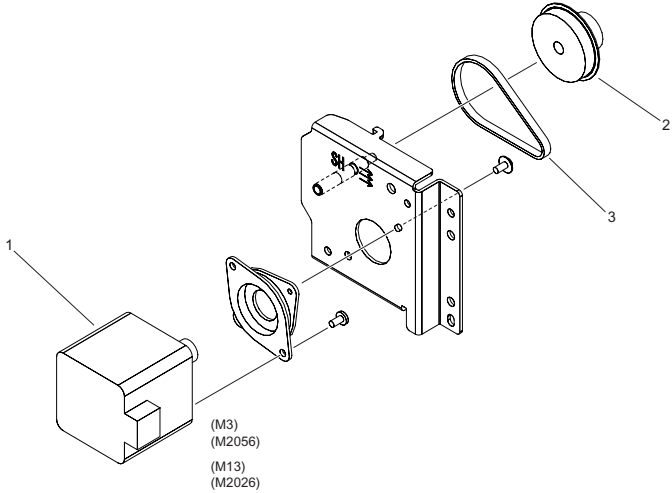


FIGURE & KEY NO.	PARTS NUMBER	RANK	Q'TY	DESCRIPTION	SERIAL NUMBER/REMARKS	SVC
Fig.262	FM4-7922-000		2	PAPER PICK-UP DRIVE ASSEMBLY	IR-ADV 4051 SERIES	
1	FK2-7326-000		1	MOTOR, DC	M3,M13	
2	FU7-0353-000		1	PULLEY, 53T/GEAR, 16T		
3	XF2-1607-340		1	BELT, TIMING		

FIGURE 263 DUPLEXING DRIVE ASSEMBLY

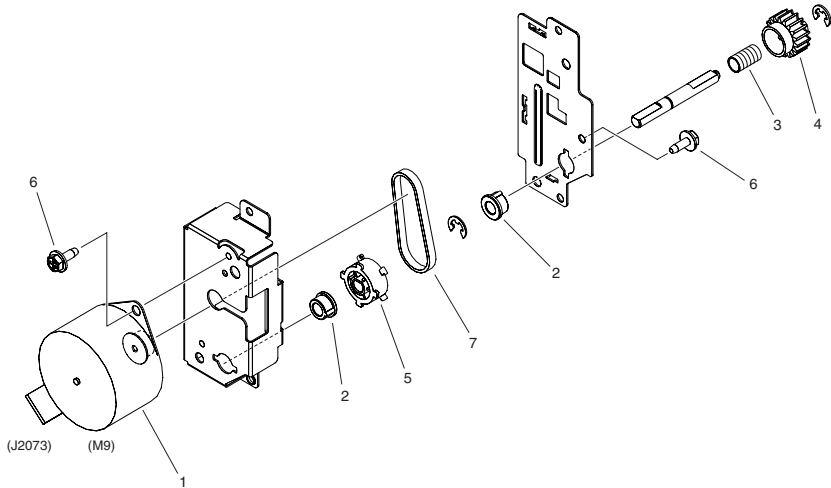


FIGURE & KEY NO.	PARTS NUMBER	RANK	QTY	DESCRIPTION	SERIAL NUMBER/REMARKS	SVC
Fig.263	FM4-7917-000		1	DUPLEXING DRIVE ASSEMBLY		
1	FK3-1307-000		1	MOTOR, STEPPING, DC	M9	
2	FS5-1943-000		2	BUSHING		
3	FU7-2960-000		1	SPRING, COMPRESSION		
4	FU8-0585-000		1	GEAR, 18T		
5	FU9-0375-000		1	PULLEY, 30T		
6	XA9-1567-000		4	SCREW, RS, M3X8.5		
7	XF2-1606-040		1	BELT, TIMING		

FIGURE 270 CARTRIDGE LEFT RAIL ASSEMBLY

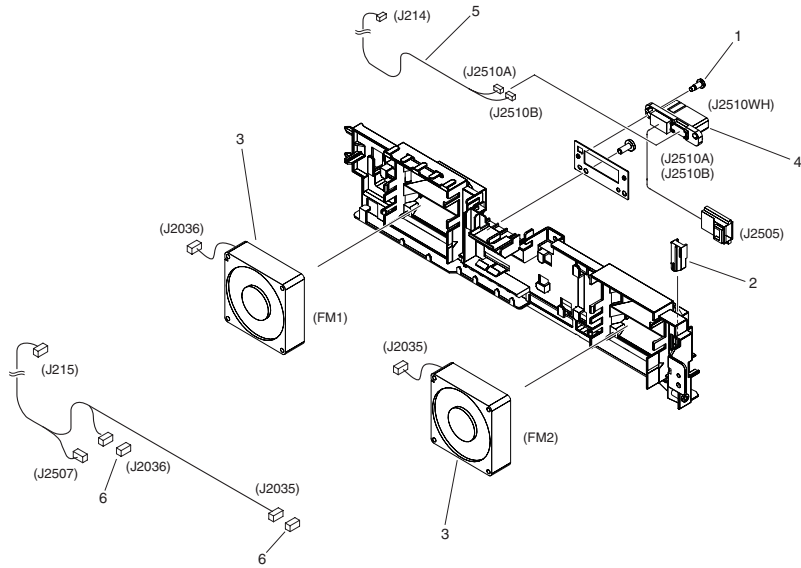


FIGURE & KEY NO.	PARTS NUMBER	RANK	Q'TY	DESCRIPTION	SERIAL NUMBER/REMARKS	SVC
Fig.270	NPN		RF	CARTRIDGE LEFT RAIL ASSEMBLY		
1	FC9-0795-000		2	SCREW, STEPPED		
2	FC9-1618-000		1	STOPPER, DRUM		
3	FK2-0360-000		2	FAN	FM1,FM2	
4	FM4-2918-000		1	CABLE, DRAWER		
5	FM4-7624-000		1	CABLE, ENGINE DRAWER DC		
6	VS1-7177-003		2	CONNECTOR, SNAP TIGHT, BK		

FIGURE 271 CARTRIDGE RIGHT RAIL ASSEMBLY

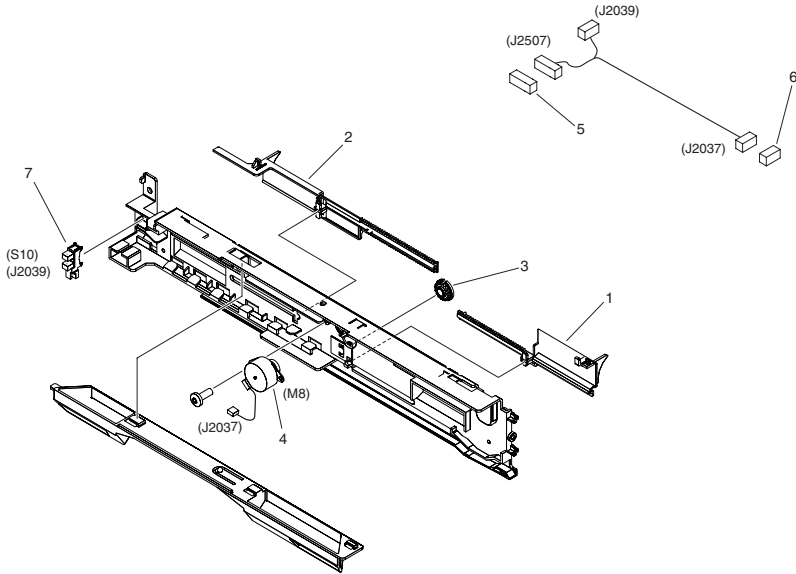


FIGURE & KEY NO.	PARTS NUMBER	RANK	Q'TY	DESCRIPTION	SERIAL NUMBER/REMARKS	SVC
Fig.271	NPN		RF	CARTRIDGE RIGHT RAIL ASSEMBLY		
1	FC9-0733-000		1	SHUTTER, FRONT		
2	FC9-0734-000		1	SHUTTER, REAR		
3	FC9-1683-000		1	PINION, 18T		
4	FK2-9148-000		1	MOTOR, STEPPING	M8	
5	VS1-7173-007		1	CONNECTOR, SNAP TIGHT, 7P		
6	VS1-7177-004		1	CONNECTOR, SNAP TIGHT, BK		
7	WG8-5836-000		1	IC PHOTOINTERRUPTER, HYBRID	S10	

FIGURE 280 FIRST DELIVERY DRIVE ASSEMBLY

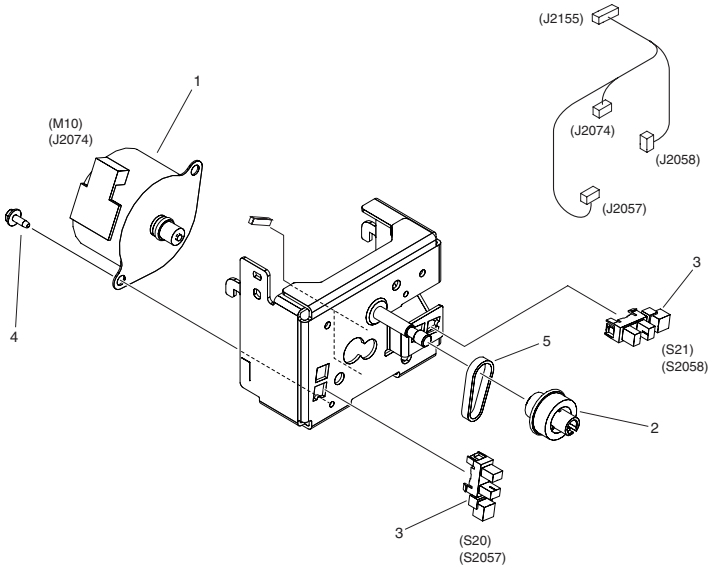


FIGURE & KEY NO.	PARTS NUMBER	RANK	Q'TY	DESCRIPTION	SERIAL NUMBER/REMARKS	SVC
Fig.280	FM4-7918-000		1	FIRST DELIVERY DRIVE ASSEMBLY		
1	FK3-1309-000		1	MOTOR, STEPPING, DC	M10	
2	FU9-0376-000		1	GEAR, 18T/PULLEY, 20T		
3	WG8-5836-000		2	IC PHOTOINTERRUPTER, HYBRID	S20,S21	
4	XA9-1567-000		2	SCREW, RS, M3X8.5		
5	XF2-1603-640		1	BELT, TIMING		

FIGURE 300 CASSETTE ASSEMBLY (UPPER)

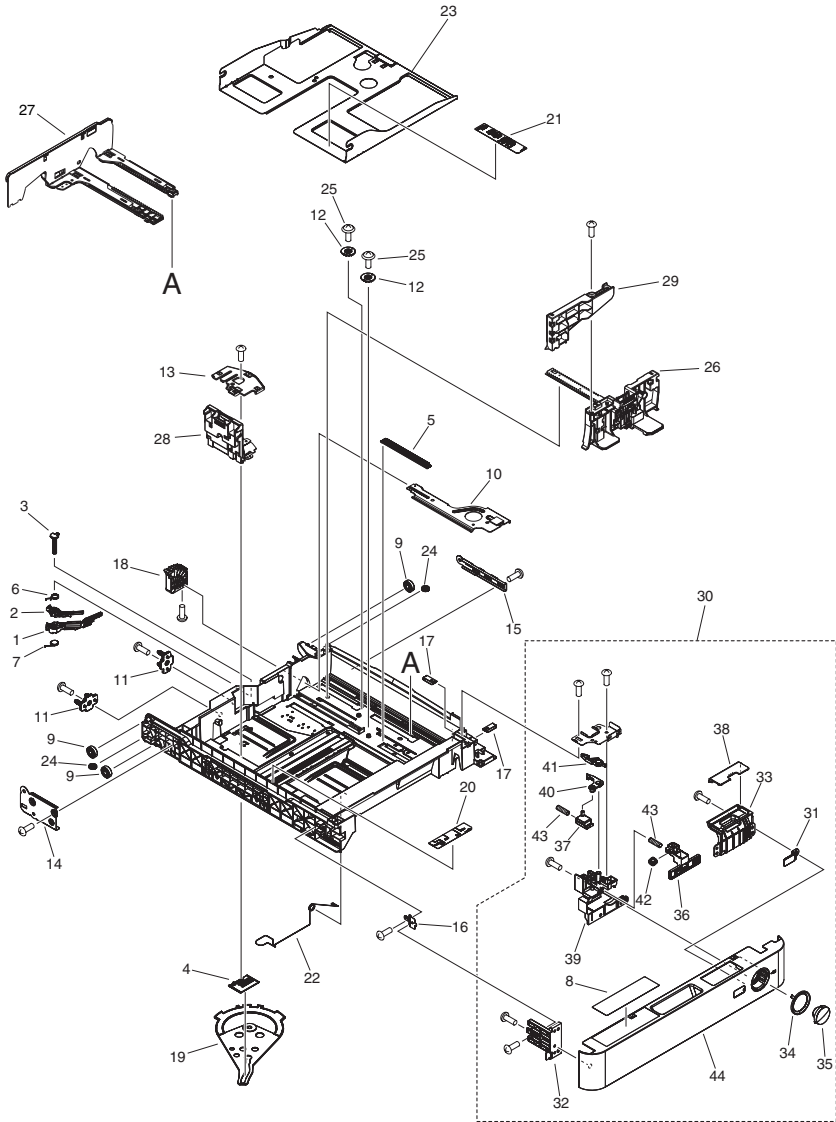


FIGURE & KEY NO.	PARTS NUMBER	R A N K	Q'TY	DESCRIPTION	SERIAL NUMBER/ REMARKS	S V C
Fig.300	FM4-7880-000		1	CASSETTE ASSEMBLY	UPPER	
1	FC8-2469-000		1	DIAL, DETECT, SMALL		
2	FC8-2470-000		1	DIAL, DETECT, LARGE		
3	FC8-2474-000		1	SHAFT		
4	FC8-2475-000		1	PLATE, JOINT		
5	FC8-2670-000		1	PLATE, FREE STOP		
6	FC8-2671-000		1	SPRING, TORSION		
7	FC8-2672-000		1	SPRING, TORSION		
8	FC8-4966-000		1	LABEL, PAPER PICK-UP OPERATION		
9	FC8-4970-000		3	ROLLER, CASSETTE SWING		
10	FL3-2859-000		1	PLATE, LIFTER		
11	FC8-4989-000		2	PIN, SIZE DETECT POSITIONING		
12	FC8-4990-000		2	GEAR, 14T		
13	FC8-4996-000		1	COVER, TOP		
14	FC9-0117-000		1	PLATE, CASSETTE ROLLER, LEFT		
15	FC9-0118-000		1	PLATE, CASSETTE ROLLER, RIGHT		
16	FC9-0127-000		1	PLATE, COVER MOUNTING, L		
17	FC9-0128-000		2	PLATE, COVER MOUNTING, R		
18	FC9-0129-000		1	GEAR, 9T		
19	FC9-0130-000		1	LINK, BACK END DETECT		
20	FC9-7243-000		1	LABEL, INDEX, SIZE M, BACK END		
21	FC9-7242-000		1	LABEL, INDEX, SIZE M, SIDE		
22	FC9-0140-000		1	SPRING, GROUNDING		
23	FL2-9472-000		1	PLATE, CENTER		
24	FS5-6945-000		2	COLLAR, REGISTRATION MULTI		
25	XA9-1523-000		2	SCREW, B, M4X8		
26	FM3-8905-010		1	SIDE END PLATE ASSEMBLY, FRONT		
27	FM3-8906-010		1	SIDE END PLATE ASSEMBLY, REAR		
28	FM3-8907-000		1	BACK END LIMIT PLATE ASSEMBLY		
29	FM3-8912-000		1	PAPER SIDE END EXTENSION ASS'Y		
30	FM4-7881-000		1	CASSETTE FRONT COVER ASS'Y		
31	FC8-4967-000		1	WINDOW, CST FR. COVER IND.		

FIGURE & KEY NO.	PARTS NUMBER	R A N K	Q'TY	DESCRIPTION	SERIAL NUMBER/ REMARKS	S V C
32	FC8-4993-000		1	PLATE, COVER ATTACHMENT, LEFT		
33	FC9-0136-000		1	HOLDER, SIZE INDEX		
34	FC8-8182-000		1	RING, BUTTON		
35	FC8-4985-000		1	BUTTON, PUSHING		
36	FC8-4986-000		1	LINK, BUTTON, UPPER, 2		
37	FC8-4987-000		1	LINK, BUTTON, LOWER		
38	FC9-4042-000		1	COVER, SIZEPLATE		
39	FC0-2590-000		1	HOLDER, LOCK ARM, RIGHT		
40	FC9-7259-000		1	ARM, LOCK, A		
41	FC9-7260-000		1	ARM, LOCK, B		
42	FC9-7261-000		1	ROLLER, LINK		
43	FU7-2518-000		2	SPRING, COMPRESSION		
44	FC8-8181-010		1	COVER, CASSETTE FRONT		

FIGURE 301 CASSETTE ASSEMBLY (LOWER)

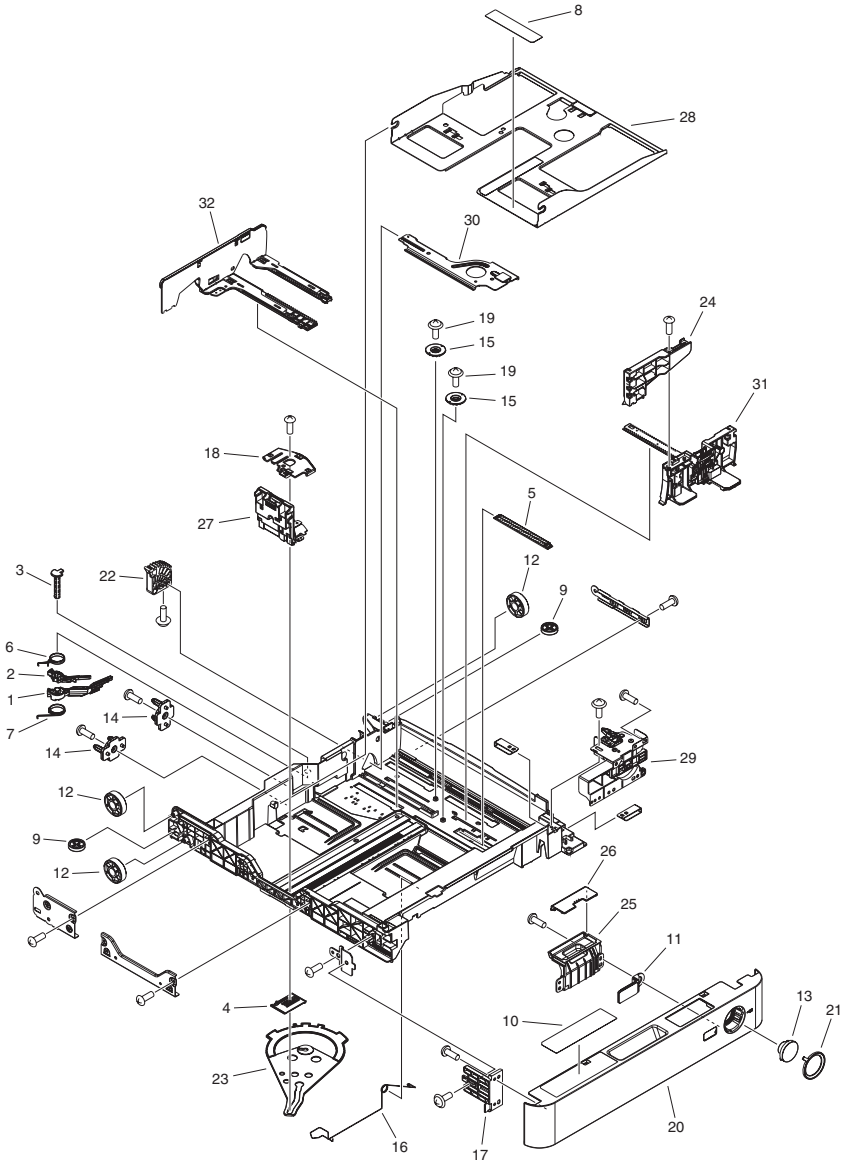


FIGURE & KEY NO.	PARTS NUMBER	R A N K	Q'TY	DESCRIPTION	SERIAL NUMBER/ REMARKS	S V C
Fig.301	FM3-8153-000		1	CASSETTE ASSEMBLY	LOWER	
1	FC8-2469-000		1	DIAL, DETECT, SMALL		
2	FC8-2470-000		1	DIAL, DETECT, LARGE		
3	FC8-2474-000		1	SHAFT, SUPPORT		
4	FC8-2475-000		1	PLATE, JOINT		
5	FC8-2670-000		1	PLATE, FREE STOP		
6	FC8-2671-000		1	SPRING, TORSION		
7	FC8-2672-000		1	SPRING, TORSION		
8	FC8-4962-000		1	LABEL, SIZE INDEX, SIDE, LARGE		
9	FS5-6945-000		2	COLLAR, REGISTRATION MULTI		
10	FC8-4966-000		1	LABEL, PAPER PICK-UP OPERATION		
11	FC8-4967-000		1	WINDOW, CST FR. COVER IND.		
12	FC8-4970-000		3	ROLLER, CASSETTE SWING		
13	FC8-4985-000		1	BUTTON, PUSHING		
14	FC8-4989-000		2	PIN, SIZE DETECT POSITIONING		
15	FC8-4990-000		2	GEAR, 14T		
16	FC8-4992-000		1	WIRE,CENTER PLATE GROUNDING,L		
17	FC8-4993-000		1	PLATE, COVER ATTACHMENT, LEFT		
18	FC8-4996-000		1	COVER, TOP		
19	XA9-1523-000		2	SCREW, B, M4X8		
20	FC8-8181-010		1	COVER, CASSETTE FRONT		
21	FC8-8182-000		1	RING, BUTTON		
22	FC9-0129-000		1	GEAR, 9T		
23	FC9-0130-000		1	LINK, BACK END DETECT		
24	FM3-8912-000		1	PAPER SIDE END EXTENSION ASS'Y		
25	FC9-0136-000		1	HOLDER, SIZE INDEX		
26	FC9-4042-000		1	COVER, SIZEPLATE		
27	FM3-8907-000		1	BACK END LIMIT PLATE ASSEMBLY		
28	FL2-9472-000		1	PLATE, CENTER		
29	FM3-8913-000		1	BUTTON LINK ASSEMBLY		
30	FL3-2859-000		1	PLATE, LIFTER		
31	FM3-8905-010		1	SIDE END PLATE ASSEMBLY, FRONT		

FIGURE & KEY NO.	PARTS NUMBER	R A N K	Q'TY	DESCRIPTION	SERIAL NUMBER/ REMARKS	S V C
32	FM3-8906-010		1	SIDE END PLATE ASSEMBLY, REAR		

FIGURE 310 PAPER PICK-UP ASSEMBLY (UPPER)

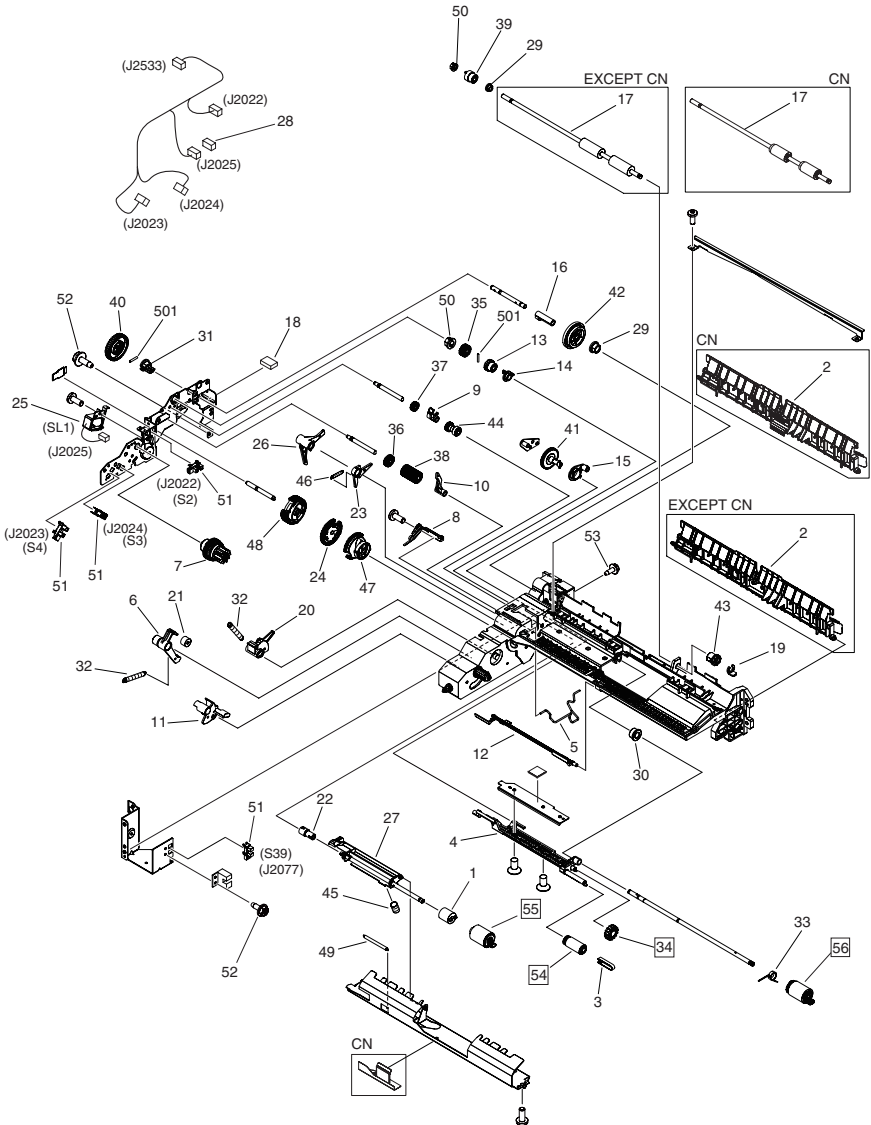


FIGURE & KEY NO.	PARTS NUMBER	R A N K	Q'TY	DESCRIPTION	SERIAL NUMBER/ REMARKS	S V C
Fig.310	FM4-9175-000		1	PAPER PICK-UP ASSEMBLY	UPPEREXCEPT CN	
Fig.310	FM4-9185-000		1	PAPER PICK-UP ASSEMBLY	UPPERCN	
1	FB6-3410-000		1	LIMITER, TORQUE		
2	FC5-0595-010		1	GUIDE, VERTICAL PATH	UPPEREXCEPT CN	
2	FL2-8283-000		1	GUIDE, VERTICAL PATH	UPPERCN	
3	FC7-5845-000		1	STOPPER, ROLLER		
4	FC0-6755-000		1	HOLDER, PAPER PICK-UP ROLLER		
5	FB6-3388-000		1	ROD, SEPARATION ROLLER RELEASE		
6	FB6-3389-000		1	CLAW, PICK-UP		
7	FB6-3391-000		1	GEAR, RATCHET		
8	FB6-3392-020		1	SPRING, LEAF		
9	FB6-3395-000		1	ARM, PAPER FEED SHAFT		
10	FB6-3396-010		1	LOCK, PICK-UP		
11	FB6-3397-000		1	FLAG, PAPER SENSOR		
12	FB6-3398-000		1	FLAG, PAPER DETECT SENSOR		
13	FB6-3402-000		1	GEAR, RATCHET		
14	FB6-3403-000		1	COUPLING, FEED SHAFT STOP		
15	FB6-3404-000		1	COUPLING, SEPARATION SHAFT		
16	FB6-3413-000		1	COLLAR, PAPER PICK-UP SHAFT		
17	FB6-4852-000		1	ROLLER, VERTICAL PATH	UPPEREXCEPT CN	
17	FM3-4150-000		1	ROLLER, VERTICAL PATH	UPPERCN	
18	VS1-7173-014		1	CONNECTOR, SNAP TIGHT, 14P, W		
19	FC6-9867-000		1	RING, RETAINING		
20	FC8-1178-000		1	CLAW, PAPER PICK-UP		
21	FC8-1202-000		1	DAMPER		
22	FC9-4290-000		1	JOINT, RETARD		
23	FC9-7253-000		1	ARM, LIFTING		
24	FL3-6661-000		1	GEAR, 46T		
25	FK2-0408-000		1	SOLENOID	SL1	
26	FM3-4146-000		1	PICK-UP ARM UNIT		
27	FM4-2525-000		1	HOLDER, SEPARATION ROLLER		
28	VS1-7177-002		1	CONNECTOR, SNAP TIGHT, BK		

FIGURE & KEY NO.	PARTS NUMBER	R A N K	Q'TY	DESCRIPTION	SERIAL NUMBER/ REMARKS	S V C
29	FS1-1205-000		2	BUSHING		
30	FS5-1943-000		1	BUSHING		
31	FS6-1063-000		1	BUSHING		
32	FS7-2800-000		2	SPRING, TENSION		
33	FS7-2801-000		1	SPRING, TORSION		
34	FU0-0043-000		1	GEAR, 15T	[DP]	
35	FU3-0282-000		1	GEAR, 21T		
36	FU3-0283-000		1	GEAR, 21T		
37	FU3-0284-000		1	GEAR, 16T		
38	FU3-0288-000		1	GEAR, 21T		
39	FU3-0289-000		1	GEAR, 14T		
40	FU3-0347-000		1	GEAR, 41T		
41	FU3-0349-000		1	GEAR, 41T		
42	FU3-0350-000		1	GEAR, 41T/41T		
43	FU5-1763-000		1	BUSHING		
44	FU6-0710-000		1	GEAR, 16T/16T		
45	FU6-2684-000		1	SPRING, COMPRESSION		
46	FU6-2784-000		1	SPRING, TENSION		
47	FU7-0445-000		1	GEAR, 42T		
48	FU8-0214-000		1	GEAR, 51T		
49	FU7-5378-000		1	SPRING, TENSION		
50	RS5-1567-000		2	BUSHING		
51	WG8-5836-000		4	IC PHOTOINTERRUPTER, HYBRID	S1,S2,S3,S4	
52	XA9-0656-000		1	SCREW,RS,M3X10		
53	XA9-1567-000		1	SCREW, RS, M3X8.5		
54	FB6-3405-000		1	ROLLER, PAPER PICK-UP	EXCEPT CN[DP]	
54	FC7-9381-000		1	ROLLER, PAPER PICK-UP	CN[DP]	
55	FC6-6661-000		1	ROLLER, SEPARATION	[DP]	
56	FC6-7083-000		1	ROLLER, FEED/SEPARATION	EXCEPT CN[DP]	
56	FC7-9502-000		1	ROLLER, FEED/SEPARATION	CN[DP]	
501	XD3-2200-122		3	PIN, DOWEL		

FIGURE 311 PAPER PICK-UP ASSEMBLY (LOWER)

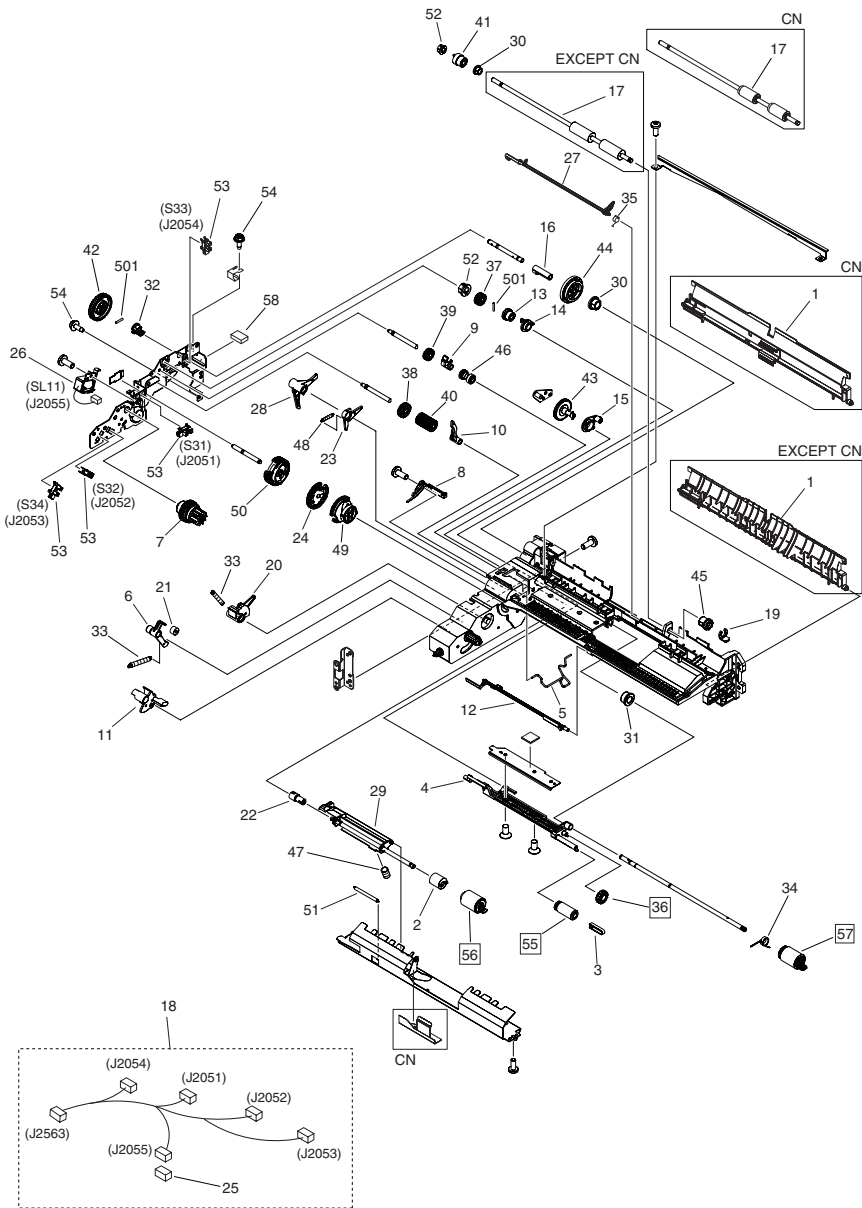
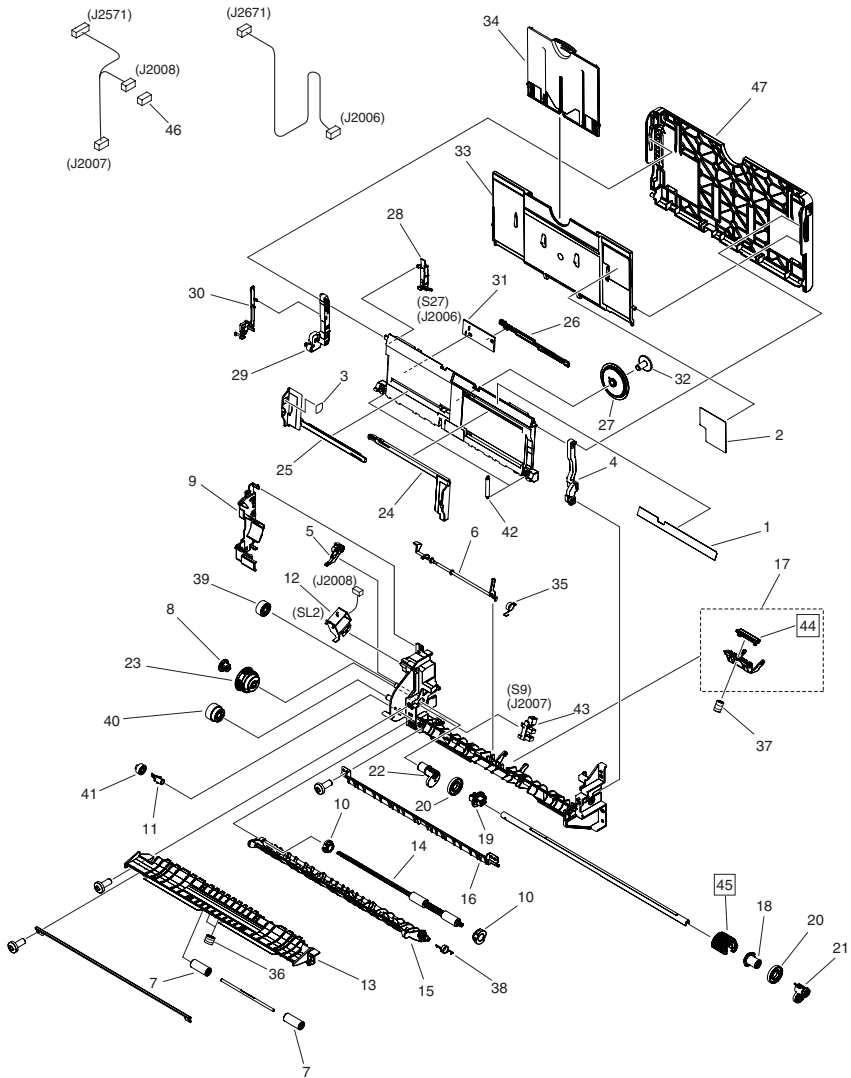


FIGURE & KEY NO.	PARTS NUMBER	R A N K	Q'TY	DESCRIPTION	SERIAL NUMBER/ REMARKS	S V C
Fig.311	FM4-9177-000		1	PAPER PICK-UP ASSEMBLY	LOWEREXCEPT CN	
Fig.311	FM4-9186-000		1	PAPER PICK-UP ASSEMBLY	LOWERCN	
1	FB6-3387-000		1	GUIDE, VERTICAL PATH	EXCEPT CN	
1	FL2-8282-000		1	GUIDE, VERTICAL PATH	CN	
2	FB6-3410-000		1	LIMITER, TORQUE		
3	FC7-5845-000		1	STOPPER, ROLLER		
4	FC0-6755-000		1	HOLDER, PAPER PICK-UP ROLLER		
5	FB6-3388-000		1	ROD, SEPARATION ROLLER RELEASE		
6	FB6-3389-000		1	CLAW, PICK-UP		
7	FB6-3391-000		1	GEAR, RATCHET		
8	FB6-3392-020		1	SPRING, LEAF		
9	FB6-3395-000		1	ARM, PAPER FEED SHAFT		
10	FB6-3396-010		1	LOCK, PICK-UP		
11	FB6-3397-000		1	FLAG, PAPER SENSOR		
12	FB6-3398-000		1	FLAG, PAPER DETECT SENSOR		
13	FB6-3402-000		1	GEAR, RATCHET		
14	FB6-3403-000		1	COUPLING, FEED SHAFT STOP		
15	FB6-3404-000		1	COUPLING, SEPARATION SHAFT		
16	FB6-3413-000		1	COLLAR, PAPER PICK-UP SHAFT		
17	FB6-4852-000		1	ROLLER, VERTICAL PATH	EXCEPT CN	
17	FM3-4150-000		1	ROLLER, VERTICAL PATH	CN	
18	FG3-2302-020		1	CABLE, PAPER PICK-UP UNIT		
19	FC6-9867-000		1	RING, RETAINING		
20	FC8-1178-000		1	CLAW, PAPER PICK-UP		
21	FC8-1202-000		1	DAMPER		
22	FC9-4290-000		1	JOINT, RETARD		
23	FC9-7253-000		1	ARM, LIFTING		
24	FL3-6661-000		1	GEAR, 46T		
25	VS1-7177-002		1	CONNECTOR, SNAP TIGHT, BK		
26	FK2-0408-000		1	SOLENOID	SL11	
27	FL2-6580-000		1	FLAG, REGISTRATION SENSOR		
28	FM3-4146-000		1	PICK-UP ARM UNIT		

FIGURE & KEY NO.	PARTS NUMBER	R A N K	Q'TY	DESCRIPTION	SERIAL NUMBER/ REMARKS	S V C
29	FM4-2525-000		1	HOLDER, SEPARATION ROLLER		
30	FS1-1205-000		2	BUSHING		
31	FS5-1943-000		1	BUSHING		
32	FS6-1063-000		1	BUSHING		
33	FS7-2800-000		2	SPRING, TENSION		
34	FS7-2801-000		1	SPRING, TORSION		
35	FS7-2803-000		1	SPRING, TORSION		
36	FU0-0043-000		1	GEAR, 15T	[DP]	
37	FU3-0282-000		1	GEAR, 21T		
38	FU3-0283-000		1	GEAR, 21T		
39	FU3-0284-000		1	GEAR, 16T		
40	FU3-0288-000		1	GEAR, 21T		
41	FU3-0289-000		1	GEAR, 14T		
42	FU3-0347-000		1	GEAR, 41T		
43	FU3-0349-000		1	GEAR, 41T		
44	FU3-0350-000		1	GEAR, 41T/41T		
45	FU5-1763-000		1	BUSHING		
46	FU6-0710-000		1	GEAR, 16T/16T		
47	FU6-2684-000		1	SPRING, COMPRESSION		
48	FU6-2784-000		1	SPRING, TENSION		
49	FU7-0445-000		1	GEAR, 42T		
50	FU8-0214-000		1	GEAR, 51T		
51	FU7-5378-000		1	SPRING, TENSION		
52	RS5-1567-000		2	BUSHING		
53	WG8-5836-000		4	IC PHOTOINTERRUPTER, HYBRID	S31,S32,S33,S34	
54	XA9-0656-000		1	SCREW,RS,M3X10		
55	FB6-3405-000		1	ROLLER, PAPER PICK-UP	EXCEPT CN[DP]	
55	FC7-9381-000		1	ROLLER, PAPER PICK-UP	CN[DP]	
56	FC6-6661-000		1	ROLLER, SEPARATION	[DP]	
57	FC6-7083-000		1	ROLLER, FEED/SEPARATION	EXCEPT CN[DP]	
57	FC7-9502-000		1	ROLLER, FEED/SEPARATION	CN[DP]	
58	VS1-7173-014		1	CONNECTOR, SNAP TIGHT, 14P, W		

FIGURE & KEY NO.	PARTS NUMBER	R A N K	Q'TY	DESCRIPTION	SERIAL NUMBER/ REMARKS	S V C
501	XD3-2200-122		3	PIN, DOWEL		

FIGURE 312 MULTI PAPER PICK-UP ASSEMBLY



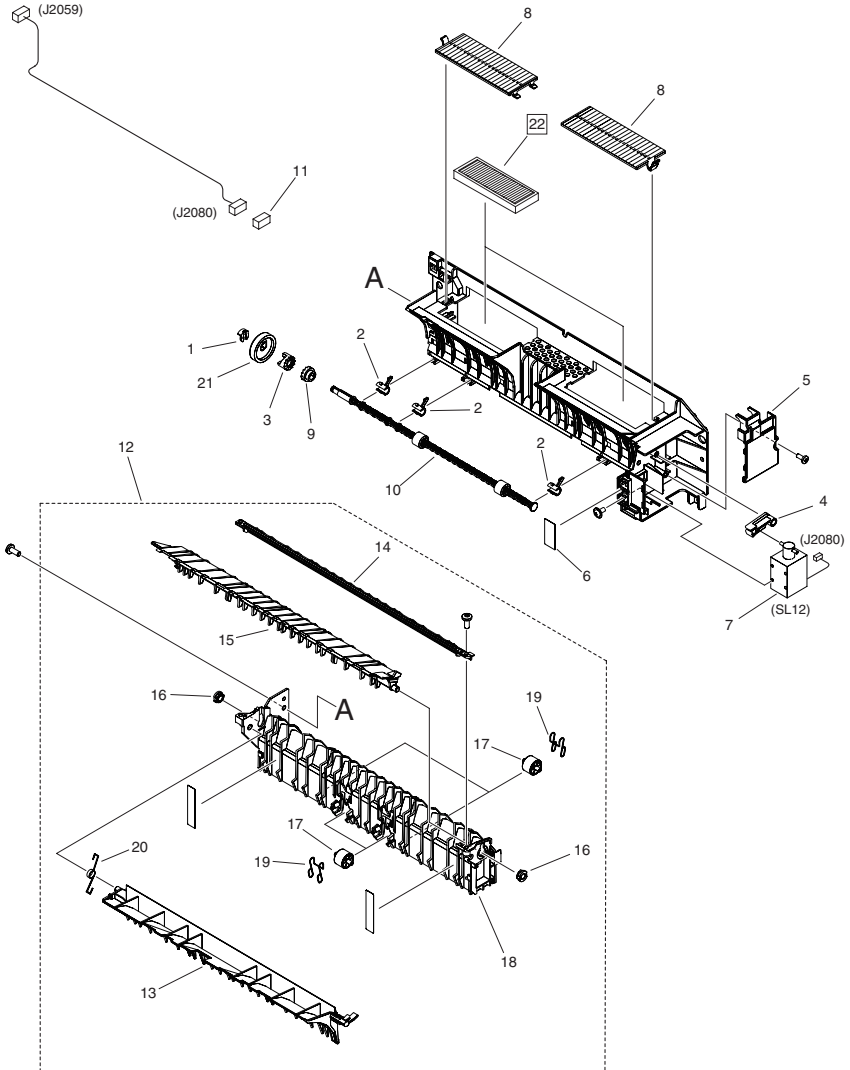
NOTE : This assembly is included in the assembly shown in Figure 102.
 注 : このユニットはFigure 102のユニットに含まれます。

NOTE : This assembly dose not include the parts shown with key No. 1, 2 and 3.
 注 : このユニットにKey No. 1, 2, 3の部品は含まれません。

FIGURE & KEY NO.	PARTS NUMBER	RANK	Q'TY	DESCRIPTION	SERIAL NUMBER/REMARKS	SVC
Fig.312	FM4-7333-000		1	MULTI PAPER PICK-UP ASSEMBLY		
1	FC0-4665-000		1	LABEL, DOCUMENT SIZE	SEE NOTEAB SIZE	
1	FC0-4666-000		1	LABEL, DOCUMENT SIZE	SEE NOTEA/INCH SIZE	
1	FC0-4667-000		1	LABEL, DOCUMENT SIZE	SEE NOTEA SIZE	
1	FC0-4668-000		1	LABEL, DOCUMENT SIZE	SEE NOTEAB/INCH SIZE	
2	FC0-4669-000		1	LABEL, PAPER SET INSTRUCTION	SEE NOTE	
3	FC0-4670-000		1	LABEL, DOCUMENT MAXIMUM LOAD	SEE NOTE	
4	FC0-2608-000		1	HINGE, MULTI PICK-UP, REAR		
5	FC0-2611-000		1	STOPPER		
6	FC0-5222-000		1	FLAG, MULTI PAPER SENSOR		
7	FC9-0670-000		2	ROLLER, EXTRACTION		
8	FC9-0671-000		1	CAP, SHAFT CONDUCTIVE		
9	FC9-0672-000		1	COVER, MULTI SENSOR		
10	FC9-0923-000		2	BUSHING		
11	FC9-1026-000		1	BUSHING		
12	FK2-1410-000		1	SOLENOID	SL2	
13	FL3-1348-000		1	GUIDE, MULTI, UPPER		
14	FL3-1349-000		1	ROLLER, MULTI EXTRACTION DRIVE		
15	FL3-3456-000		1	GUIDE, MULTI LOWER		
16	FL3-5605-000		1	GUIDE, VERTICAL PATH		
17	FM3-9287-010		1	MULTI SEPARATION PAD ASSEMBLY		
18	FC9-0684-000		1	BUSHING		
19	FC9-0685-000		1	BUSHING		
20	FC9-0687-000		2	ROLLER, MULTI		
21	FC9-0688-000		1	CAM, MULTI, FRONT		
22	FC9-0689-000		1	CAM, MULTI, REAR		
23	FM3-9293-000		1	MULTI PAPER PICK-UP GEAR ASS'Y		
24	FC0-2603-000		1	PLATE, PAPER SIDE END, FRONT		
25	FC0-2604-000		1	PLATE, PAPER SIDE END, REAR		
26	FC0-2605-000		1	RACK, PAPER SIDE END		
27	FC0-2606-000		1	GEAR, 54T/18T		
28	FC0-2607-000		1	COVER, CABLE		

FIGURE & KEY NO.	PARTS NUMBER	R A N K	Q'TY	DESCRIPTION	SERIAL NUMBER/ REMARKS	S V C
29	FC0-2609-000		1	HINGE, MULTI PICK-UP, FRONT		
30	FC0-2610-000		1	COVER, HINGE		
31	FM2-2768-000		1	MULTI FEED SIZE PCB ASSEMBLY	S27	
32	XA9-1523-000		1	SCREW, B, M4X8		
33	FC0-2525-000		1	TRAY, MULTI EXTENSION, 1		
34	FC0-2526-000		1	TRAY, MULTI EXTENSION, 2		
35	FU7-2925-000		1	SPRING, TORSION		
36	FU7-2926-000		2	SPRING, COMPRESSION		
37	FU7-2971-000		1	SPRING, COMPRESSION		
38	FU7-2974-000		1	SPRING, TORSION		
39	FU8-0525-000		1	GEAR, 21T		
40	FU8-0526-000		1	GEAR 27T/25T		
41	FU8-0527-000		1	GEAR, 19T		
42	FU8-2804-000		2	SPRING, TENSION		
43	WG8-5836-000		1	IC PHOTOINTERRUPTER, HYBRID	S9	
44	FL3-3469-000		1	PAD, SEPARATION	[DP]	
45	FL3-1352-000		1	ROLLER, PAPER PICK-UP	[DP]	
46	VS1-7507-002		1	CONNECTOR, 2P		
47	FC0-2527-000		1	COVER, MULTI		

FIGURE 313 DUPLEXING FEED GUIDE ASSEMBLY



NOTE : This assembly is included in the assembly shown in Figure 102.
 注 : このユニットはFigure 102のユニットに含まれます。

NOTE : This assembly does not include the parts shown with key No. 22
 注 : このユニットにKey No. 22の部品は含まれません。

FIGURE & KEY NO.	PARTS NUMBER	R A N K	Q'TY	DESCRIPTION	SERIAL NUMBER/ REMARKS	S V C
Fig.313	FM4-9157-000		1	DUPLEXING FEED GUIDE ASSEMBLY	SEE NOTE	
1	FC5-4425-000		1	CLIP		
2	FC9-0717-000		3	BUSHING		
3	FC9-0826-000		1	RATCHET, INTERMEDIATE		
4	FC5-1023-000		1	ARM, SOLENOID, 2		
5	FC9-0838-000		1	COVER, REVERSE SOLENOID		
6	FC9-8950-000		1	SHEET, REVERSE SOLENOID		
7	FH6-5095-000		1	SOLENOID	SL12	
8	FC0-3079-000		2	COVER, AIR FILTER		
9	FC9-0852-000		1	RATCHET, FEED		
10	FL3-1451-000		1	ROLLER, ENTRANCE		
11	VS1-7177-003		1	CONNECTOR, SNAP TIGHT, BK		
12	FM4-9740-000		1	DUPLEXING ENTRANCE GUIDE ASS'Y		
13	FC9-0841-000		1	FLAPPER, SECOND DELIVERY		
14	FC9-0843-000		1	GUIDE, REVERSE ENTRANCE		
15	FC9-0846-000		1	FLAPPER, REVERSE		
16	FC9-0923-000		2	BUSHING		
17	FC9-7720-000		4	COLLAR, FIXING DELIVERY		
18	FL3-1443-000		1	GUIDE, ENTRANCE		
19	FU7-2947-000		4	SPRING, RETAINING		
20	FU8-2805-000		1	SPRING, TORSION		
21	FU8-0607-000		1	GEAR, 35T		
22	FC0-3078-000		1	FILTER, AIR	[DP]	

FIGURE 316 PRE-REGISTRATION GUIDE ASS'Y

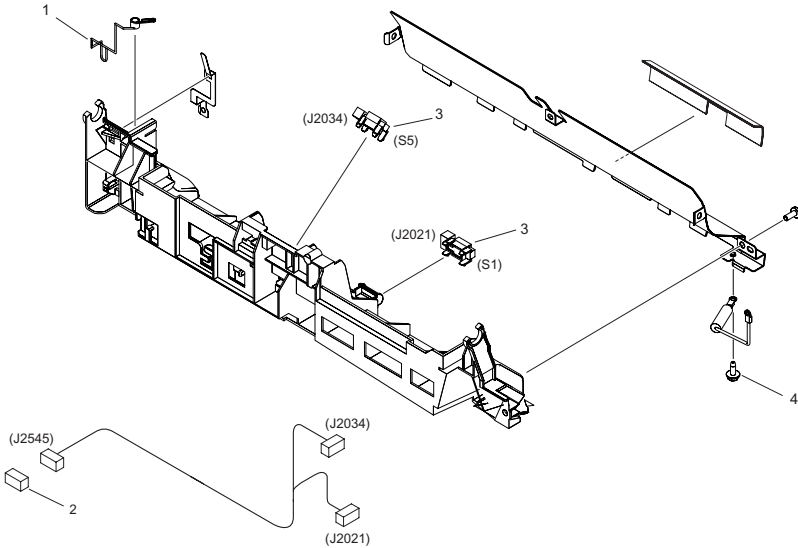
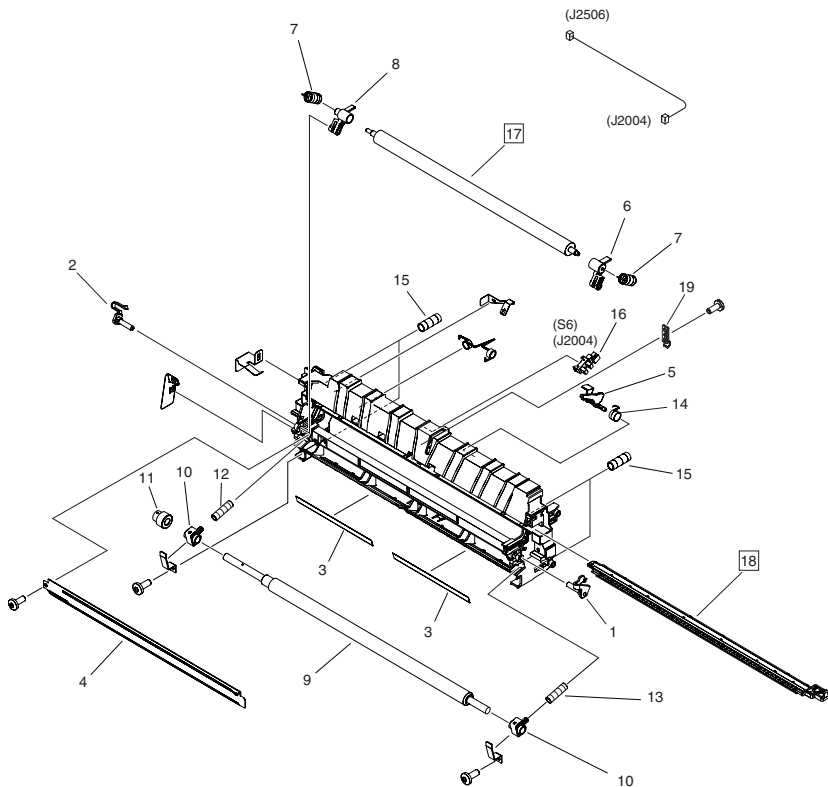


FIGURE & KEY NO.	PARTS NUMBER	RANK	QTY	DESCRIPTION	SERIAL NUMBER/REMARKS	SVC
Fig.316	FM4-7921-000		1	PRE-REGISTRATION GUIDE ASS'Y		
1	FC9-0557-000		1	CABLE, GROUNDING		
2	VS1-7173-006		1	CONNECTOR, SNAP TIGHT, 6P, W		
3	WG8-5927-000		2	PHOTOINTERRUPTER, PS122TL1-A	S1,S5	
4	XA9-1567-000		1	SCREW, RS, M3X8.5		

FIGURE 320 TRANSFER PAPER FEED ASSEMBLY



NOTE: This assembly is included in the assembly shown in Figure 102.
 注: このユニットはFigure 102のユニットに含まれます。

FIGURE & KEY NO.	PARTS NUMBER	R A N K	Q'TY	DESCRIPTION	SERIAL NUMBER/ REMARKS	S V C
Fig.320	FM4-9155-000		1	TRANSFER PAPER FEED ASSEMBLY	SEE NOTE	
1	FC0-4340-000		1	PIN, TRANSFER HINGE		
2	FC5-1536-000		1	PIN, TRANSFER HINGE		
3	FC9-0629-010		2	SHEET, PRE-REG. DOOR SIDE		
4	FC9-0702-000		1	GUIDE, ELIMINATOR		
5	FC9-0709-000		1	FLAG, LOOP SENSOR		
6	FC9-0699-000		1	ARM, TRANSFER, FRONT		
7	FU7-2928-000		2	SPRING, COMPRESSION		
8	FC9-0700-000		1	ARM, TRANSFER, REAR		
9	FC9-0704-000		1	ROLLER, REGISTRATION		
10	FU5-1009-000		2	BUSHING		
11	FU8-0528-000		1	GEAR, 21T		
12	FU7-2930-000		1	SPRING, COMPRESSION		
13	FU7-2931-000		1	SPRING, COMPRESSION		
14	FU8-2807-000		1	SPRING, TORSION		
15	FU7-2933-000		4	SPRING, COMPRESSION		
16	WG8-5836-000		1	IC PHOTOINTERRUPTER, HYBRID	S6	
17	FC9-0693-000		1	ROLLER, TRANSFER	[DP]	
18	FM3-9296-000		1	ELIMINATOR HOLDER ASSEMBLY	[DP]	
19	FE2-1943-000		1	SUPPORT, SENSOR FLAG		

FIGURE 330 RIGHT LOWER DOOR ASSEMBLY

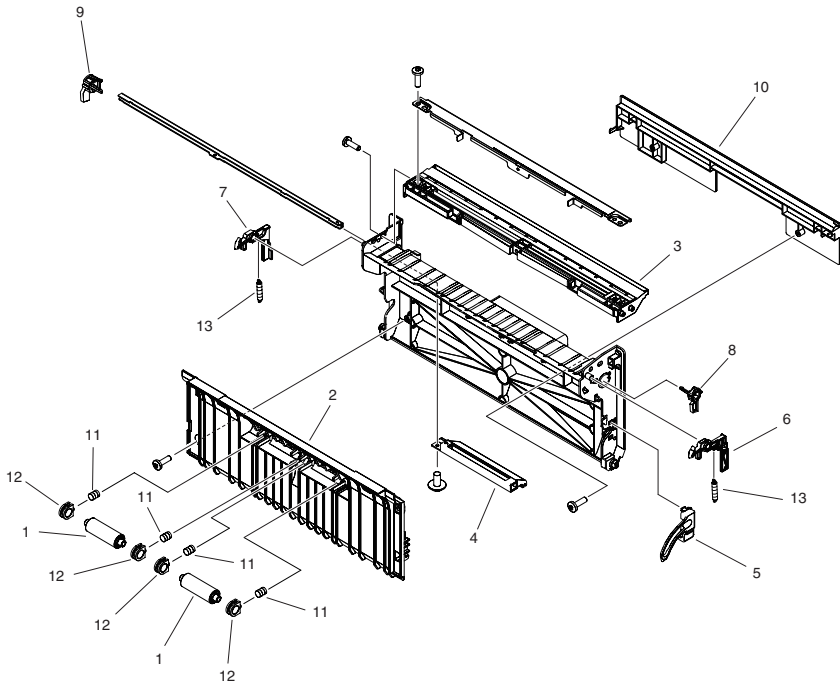


FIGURE & KEY NO.	PARTS NUMBER	RANK	Q'TY	DESCRIPTION	SERIAL NUMBER/REMARKS	SVC
Fig.330	NPN		RF	RIGHT LOWER DOOR ASSEMBLY		
1	FB6-3313-000		2	ROLLER, PAPER FEED		
2	FC0-2517-000		1	GUIDE, DOOR, RIGHT LOWER		
3	FC0-2518-000		1	GUIDE, DECK PATH		
4	FC0-2519-000		1	HANDLE, RIGHT DOOR, LOWER		
5	FC0-2520-000		1	STOPPER, DOOR, RIGHT LOWER		
6	FC0-2521-000		1	HOOK, RIGHT LOWER DOOR, FRONT		
7	FC0-2522-000		1	HOOK, RIGHT LOWER DOOR, REAR		
8	FC0-2528-000		1	CAM		
9	FC0-2529-000		1	CAM		
10	FC8-4861-000		1	COVER, DECK PATH		
11	FS7-2788-000		4	SPRING, COMPRESSION		
12	FU5-1035-000		4	BUSHING		
13	FU8-2796-000		2	SPRING, TENSION		

FIGURE 333 RIGHT LOWER INNER DOOR ASS'Y

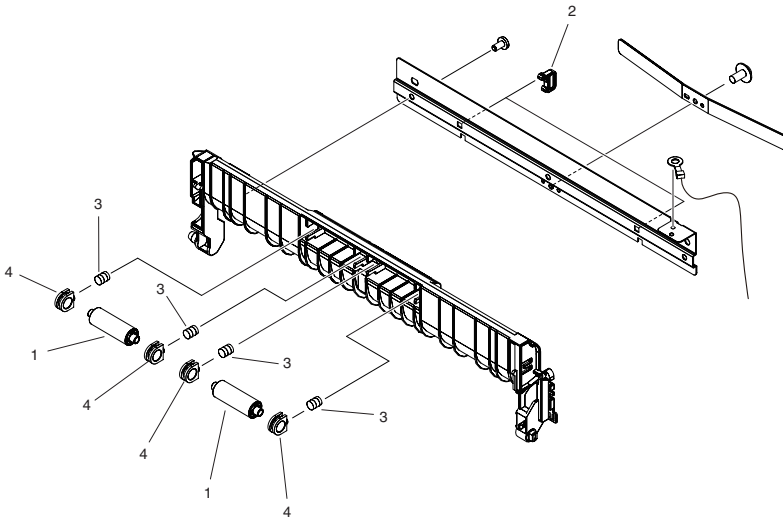


FIGURE & KEY NO.	PARTS NUMBER	RANK	Q'TY	DESCRIPTION	SERIAL NUMBER/REMARKS	SVC
Fig.333	FM3-1297-000		RF	RIGHT LOWER INNER DOOR ASSY		
1	FB6-3313-000		2	ROLLER, PAPER FEED		
2	FC7-5907-000		2	SPRING, GROUNDING		
3	FS7-2788-000		4	SPRING, COMPRESSION		
4	FU5-1035-000		4	BUSHING		

FIGURE 350 FIRST DELIVERY ASSEMBLY

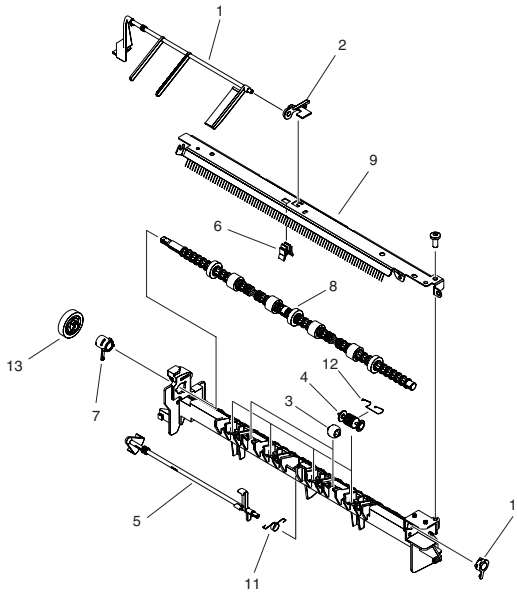


FIGURE & KEY NO.	PARTS NUMBER	RANK	QTY	DESCRIPTION	SERIAL NUMBER/REMARKS	SVC
Fig.350	FM4-7915-000		1	FIRST PAPER DELIVERY ASSEMBLY		
1	FC9-0806-010		1	LEVER, FULL DETECT		
2	FC0-3073-000		1	BUSHING		
3	FC0-4672-000		2	ROLLER, CURL		
4	FC8-0209-000		4	ROLLER, FD		
5	FC9-0802-000		1	LEVER, DELIVERY SENSOR		
6	FC9-0805-000		1	BUSHING		
7	FC9-8959-000		1	BUSHING		
8	FL3-7222-000		1	ROLLER, PAPER DELIVERY		
9	FL3-5302-000		1	PLATE, ELIMINATOR		
10	FU5-1522-000		1	BUSHING, DELIVERY ROLLER		
11	FU7-2925-000		1	SPRING, TORSION		
12	FU7-2968-000		4	SPRING, TORSION		
13	FU8-0538-000		1	GEAR, 26T		

FIGURE 351 SECOND DELIVERY ASSEMBLY

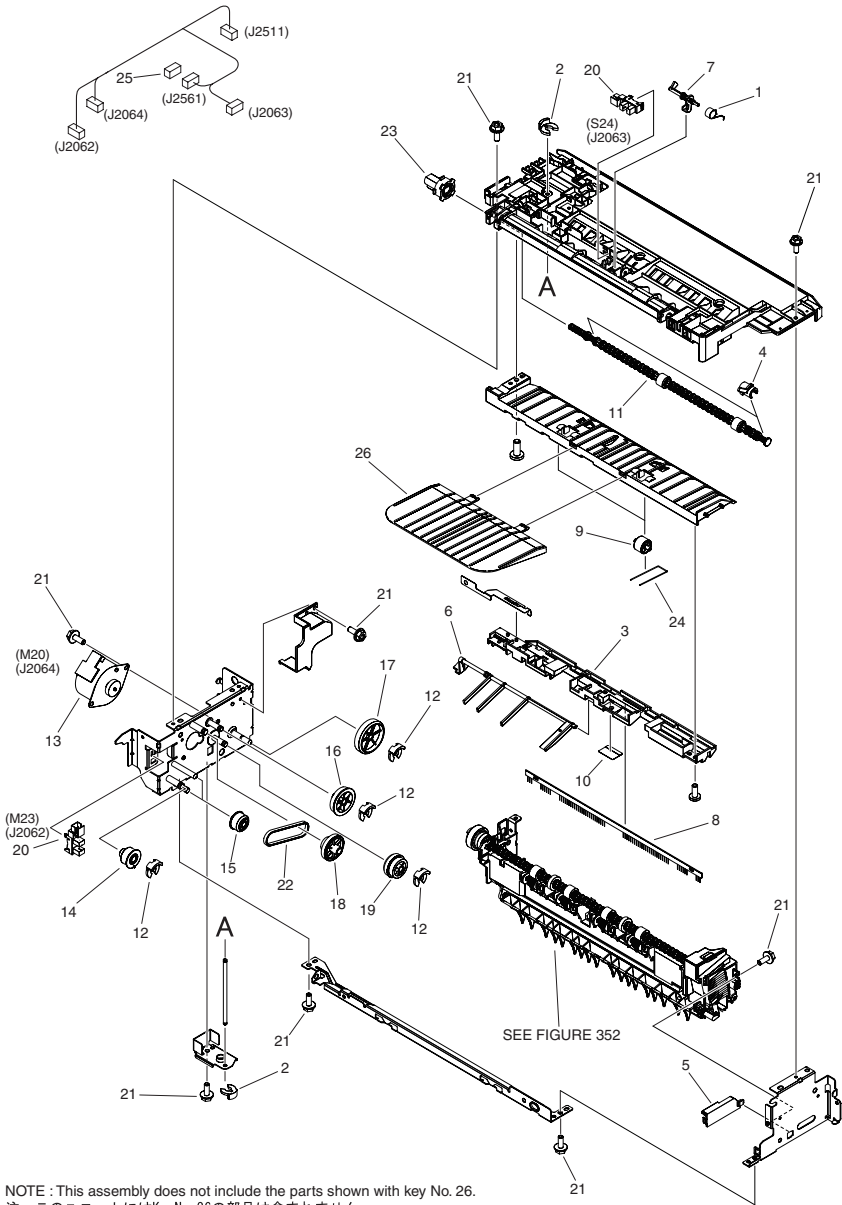


FIGURE & KEY NO.	PARTS NUMBER	RANK	Q'TY	DESCRIPTION	SERIAL NUMBER/REMARKS	SVC
Fig.351	FM4-7337-000		RF	SECOND PAPER DELIVERY ASSEMBLY		
1	FU7-2943-000		1	SPRING, TORSION		
2	FC5-4697-000		2	RING, RETAINING		
3	FC0-4692-000		1	GUIDE, REVERSE LW. AUXILIARY		
4	FC9-0717-000		2	BUSHING		
5	FC9-0814-000		1	GUIDE, SLIDE		
6	FC9-0816-010		1	FLAG, FULL SENSOR		
7	FC9-0822-000		1	LEVER, REVERSE SENSOR		
8	FC9-0836-000		1	ELIMINATOR, STATIC CHARGE		
9	FC9-7720-000		2	COLLAR, FIXING DELIVERY		
10	FC9-7723-000		1	SHEET, REVERSE AUXILIARY		
11	FL3-1450-000		1	ROLLER, REVERSE		
12	FC5-4425-000		4	CLIP		
13	FK3-1308-000		1	MOTOR, STEPPING, DC	M20	
14	FU8-0602-000		1	GEAR, 18T		
15	FU8-0603-000		2	GEAR, 18T		
16	FU8-0605-000		1	GEAR, 35T		
17	FU8-0606-000		1	GEAR, 46T		
18	FU8-0610-000		1	GEAR, 35T		
19	FU9-0328-000		1	GEAR, 26T/30T		
20	WG8-5836-000		2	IC PHOTOINTERRUPTER, HYBRID	S23,S24	
21	XA9-1567-000		11	SCREW, RS, M3X8.5		
22	XF2-1608-040		1	BELT, TIMING		
23	FU5-3796-000		1	PULLEY		
24	FU7-2934-000		2	SPRING, RETAINING		
25	VS1-7173-005		1	CONNECTOR, SNAP TIGHT		
26	FC0-4680-000		1	GUIDE, REVERSE BACK END	SEE NOTE	

FIGURE 352 SECOND DELIVERY FRAME ASSEMBLY

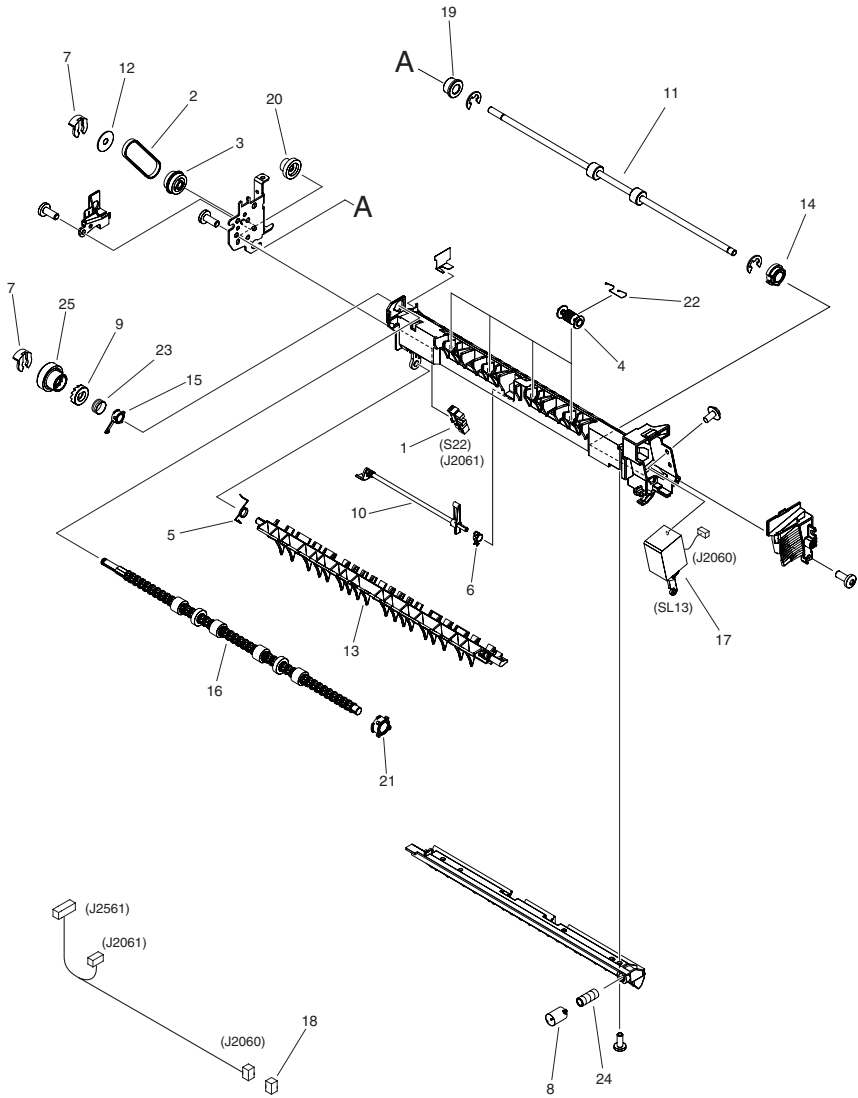


FIGURE & KEY NO.	PARTS NUMBER	R A N K	Q'TY	DESCRIPTION	SERIAL NUMBER/ REMARKS	S V C
Fig.352	FM4-7924-000		1	SECOND DELIVERY FRAME ASSEMBLY		
1	WG8-5836-000		1	IC PHOTOINTERRUPTER, HYBRID	S22	
2	XF2-1608-040		1	BELT, TIMING		
3	FU8-0609-000		1	GEAR, 24T		
4	FC0-5231-000		4	ROLLER, FD		
5	FC5-0974-000		1	SPRING, TORSION		
6	FC5-0997-000		1	SPRING, TORSION		
7	FC5-4425-000		2	CLIP		
8	FC5-6014-000		1	CAP, SPRING		
9	FC9-0854-000		1	RATCHET, FEED		
10	FC9-0856-000		1	FLAG, SENSOR		
11	FC9-0857-000		1	ROLLER, VERTICAL PASS		
12	FC9-0864-000		1	STOPPER, BELT		
13	FC9-0870-010		1	FLAPPER		
14	FC9-0923-000		1	BUSHING		
15	FC9-8967-000		1	BUSHING		
16	FL3-1454-000		1	ROLLER, SECOND DELIVERY		
17	FL3-3151-000		1	SOLENOID	SL13	
18	VS1-7177-002		1	CONNECTOR, SNAP TIGHT, BK		
19	FS5-1943-000		1	BUSHING		
20	FU5-0076-000		1	GEAR, 24T		
21	FU5-1522-000		1	BUSHING, DELIVERY ROLLER		
22	FU6-2189-000		4	SPRING, TORSION		
23	FU7-2946-000		1	SPRING, COMPRESSION		
24	FU7-2948-000		1	SPRING, COMPRESSION		
25	FU8-0608-000		1	GEAR, 26T		

FIGURE & KEY NO.	PARTS NUMBER	R A N K	Q'TY	DESCRIPTION	SERIAL NUMBER/ REMARKS	S V C
Fig.400	NPN		RF	READER ASSEMBLY		
1	FC9-7292-000		1	ARM, OPEN/CLOSE SENSOR		
2	FM4-8459-000		1	CORE HOLDER UNIT		
3	XA9-1567-000		AR	SCREW, RS, M3X8.5		
4	FC0-2491-000		1	COVER, READER SUB, FRONT		
5	FC0-2497-000		1	COVER, READER SUB, REAR		
6	FC0-2496-000		1	COVER, READER SUB, REAR		
7	FL3-5312-000		1	LABEL, SERVICE		
8	FM4-9642-000		1	CARRIAGE UNIT		
9	FC8-6188-010		1	CASE, OPEN/CLOSE SENSOR		
10	FC9-7284-000		1	CASE, PAPER SIZE SENSOR		
11	FL3-3207-000		1	CCD MIRROR CLEANING UNIT		
12	FC9-7297-000		6	SEAL, BLANKING		
13	XA9-1415-000		AR	SCREW, FLAT HEAD, M4		
14	FC0-2490-000		1	COVER, READER, FRONT		
15	FC9-7288-000		2	COVER, GLASS RETAINING		
16	FC0-2618-000		1	COVER, GLASS SUPPORT		
17	FL3-5465-000		1	COVER, HINGE, LEFT		
18	FL3-5309-000		1	COVER, HINGE, RIGHT		
19	FH7-7569-000		2	DOCUMENT SIZE SENSOR UNIT	S14,S15	
20	FM4-7702-000		1	CABLE, ADF I/F		
21	XA9-1469-000		13	SCREW, TP,M3X6		
22	FL3-3206-000		1	GLASS, READER		
23	XF2-4606-740		1	BELT, TIMING, COGGED		
24	FU8-2481-000		1	SPRING, TENSION		
25	FK3-1343-000		1	MOTOR, STEPPING, DC	M14	
26	FU8-2497-000		1	SPRING, TORSION		
27	WG8-5776-000		3	PHOTO-INTERRUPTER, SG2481	S11,S12,S13	
28	XF2-4668-040		1	BELT, TIMING		
29	FC9-7308-000		3	PLATE, SHAFT RETAINING		
30	FL3-6218-000		1	COVER, READER, REAR		
31	FC8-6163-000		4	PULLEY		

FIGURE & KEY NO.	PARTS NUMBER	R A N K	Q'TY	DESCRIPTION	SERIAL NUMBER/ REMARKS	S V C
32	FC8-6180-000		1	PULLEY		
33	FU5-3710-000		1	PULLEY, 24T/41T		
34	FU8-2470-000		1	SPRING, TENSION		
35	FU7-8084-000		1	LABEL, COPY PROHIBITION, JAPAN	Japanese	
35	FU7-8085-000		1	LABEL, COPY INHIBITED	English	
35	FU7-8086-000		1	LABEL, COPY INHIBITED	Canadian French	
35	FU7-8087-000		1	LABEL, COPY INHIBITED	Portuguese	
35	FU7-8227-000		1	LABEL, COPY INHIBITED	Spanish	
35	FU7-8232-000		1	LABEL, COPY INHIBITED	Simplified Chinese	
35	FU7-8233-000		1	LABEL, COPY INHIBITED	Korean	
35	FU7-8234-000		1	LABEL, COPY INHIBITED	Traditinal Chinese	
36	FL3-3591-000		1	GLASS, COPYBOARD	AB SIZE	
36	FL3-3593-000		1	GLASS, COPYBOARD	A/INCH SIZE	
36	FL3-3594-000		1	GLASS, COPYBOARD	AB/INCH SIZE	
37	FU7-8079-000		1	LABEL, CLEANING POSITION	Japanese	
37	FU7-8080-000		1	LABEL, CLEANING POSITION	EXCEPT Japanese	
37	FU7-8081-000		1	LABEL, CLEANING POSITION	Simplified Chinese	
37	FU7-8082-000		1	LABEL, CLEANING POSITION	Korean	
37	FU7-8083-000		1	LABEL, CLEANING POSITION	Traditinal Chinese	
38	FM4-7705-000		1	CABLE, READER FLAT		
39	FL3-6227-000		1	COVER, READER, LEFT		
40	FL3-6226-000		1	COVER, READER, RIGHT		
41	FE2-0755-000		1	SHEET, CONNECTOR COVER	EXCEPT ADF MODEL	

FIGURE 460 LASER SCANNER ASSEMBLY

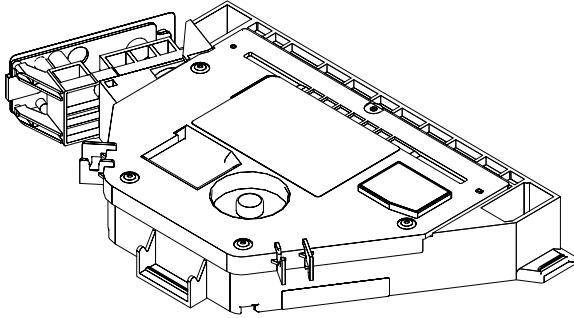


FIGURE & KEY NO.	PARTS NUMBER	RANK	QTY	DESCRIPTION	SERIAL NUMBER/REMARKS	SVC
Fig.460	FM3-9406-010		1	LASER SCANNER ASSEMBLY	IR-ADV 4025 SERIES	
Fig.460	FM3-9407-010		1	LASER SCANNER ASSEMBLY	IR-ADV 4051,4045,4035 SERIES	

FIGURE 620 HOPPER ASSEMBLY

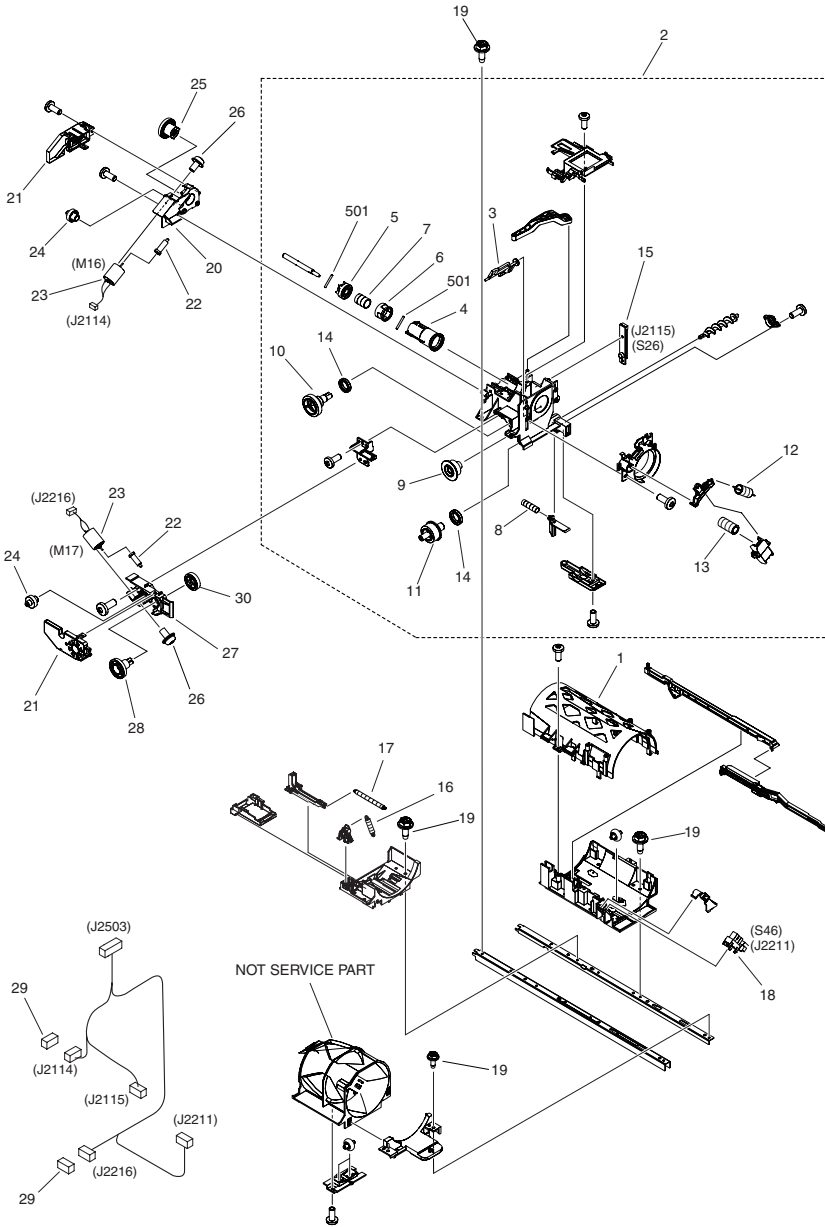


FIGURE & KEY NO.	PARTS NUMBER	R A N K	Q'TY	DESCRIPTION	SERIAL NUMBER/ REMARKS	S V C
Fig.620	FM4-7913-000		1	HOPPER ASSEMBLY	IR-ADV 4051,4045 SERIES	
Fig.620	FM4-7914-000		1	HOPPER ASSEMBLY	IR-ADV 4035,4025 SERIES	
1	FC0-2432-000		1	COVER, BOTTLE		
2	FM4-7304-000		1	SUB HOPPER ASSEMBLY		
3	FL3-6197-000		1	ROD, STIRRING, AUXILIARY		
4	FC0-2444-000		1	HOLDER, RELEASE		
5	FC0-2446-000		1	COUPLING		
6	FC0-9022-000		1	BUSHING		
7	FU8-2791-000		1	SPRING, COMPRESSION		
8	FU7-2919-000		1	SPRING, COMPRESSION		
9	FU8-0518-000		1	GEAR, 19T		
10	FU8-0519-000		1	GEAR, 23T		
11	FU8-0520-000		1	GEAR, 18T		
12	FU8-2793-000		1	SPRING, TENSION		
13	FU8-2806-000		1	SPRING, COMPRESSION		
14	MB4-8201-000		2	SEAL, OIL		
15	WP2-5282-000		1	SENSOR, ELECTROMAGNETIC	S26	
16	FU8-2800-000		1	SPRING, TENSION		
17	FU8-2803-000		1	SPRING, TENSION		
18	WG8-5836-000		1	IC PHOTOINTERRUPTER, HYBRID	S46	
19	XA9-1567-000		9	SCREW, RS, M3X8.5		
20	FC0-2452-000		1	BOX, DRIVE, FRONT		
21	FC0-2453-000		2	BOX, DRIVE, REAR		
22	FC9-0612-000		2	GEAR, WORM		
23	FM4-7707-000		2	MOTOR UNIT	M16,M17	
24	FU8-0514-000		2	GEAR, 43T/18T		
25	FU9-0326-000		1	GEAR, 73T		
26	XA9-0702-000		4	SCREW, W/WASHER, M3X6		
27	FC0-2454-000		1	BOX, DRIVE, FRONT		
28	FU9-0327-000		1	GEAR, 73T		
29	VS1-7177-002		2	CONNECTOR, SNAP TIGHT, BK		

FIGURE & KEY NO.	PARTS NUMBER	R A N K	Q'TY	DESCRIPTION	SERIAL NUMBER/ REMARKS	S V C
30	FU9-0377-000		1	GEAR, 25T		
501	XD3-2200-162		2	PIN, PARALLEL		

FIGURE 640 DEVELOPING ASSEMBLY

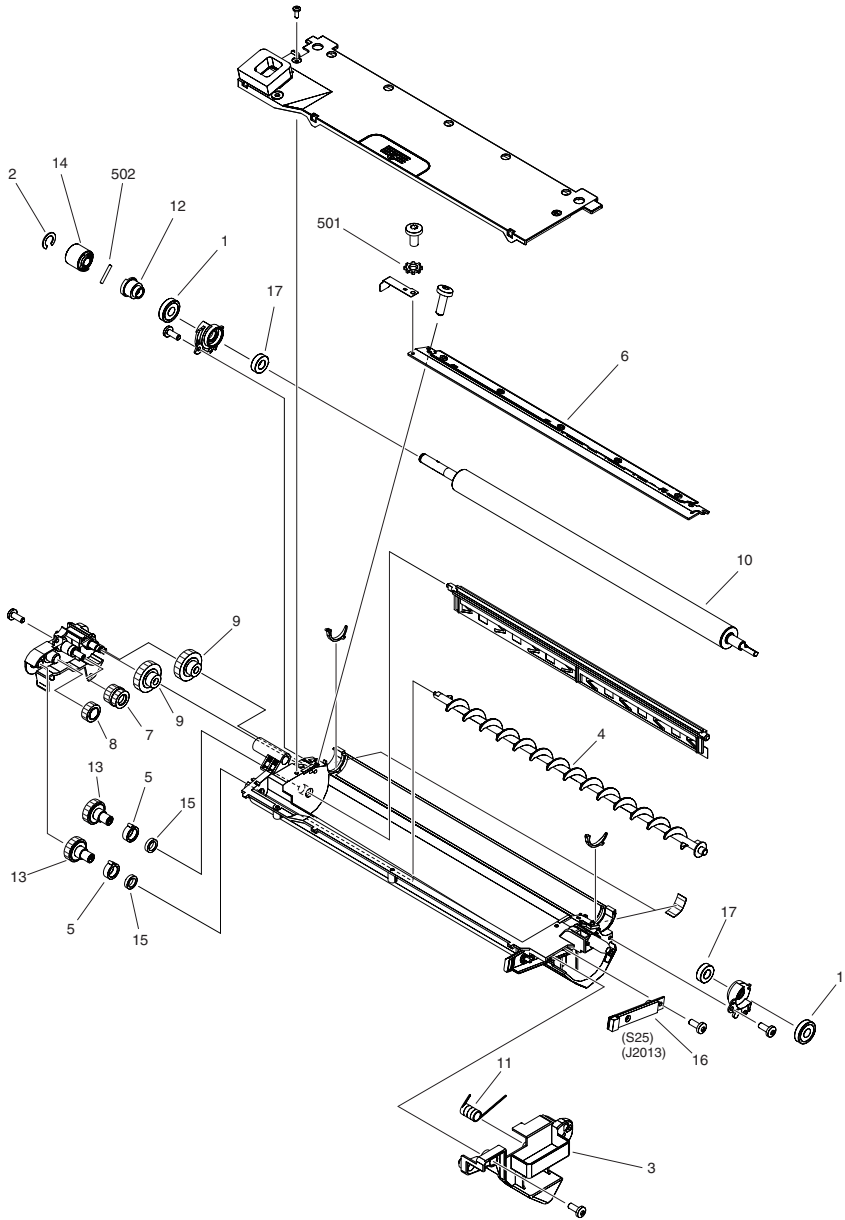


FIGURE & KEY NO.	PARTS NUMBER	R A N K	Q'TY	DESCRIPTION	SERIAL NUMBER/ REMARKS	S V C
Fig.640	FM4-9730-000		1	DEVELOPING ASSEMBLY	[DP]	
1	FC0-5122-000		2	ROLLER		
2	FC0-5242-000		1	RING, C		
3	FC9-0592-010		1	HOLDER, DEVELOPING FRONT		
4	FC9-1610-000		1	FEEDSCREW, TONER		
5	FC9-1613-000		2	BUSHING		
6	FM3-9265-000		1	BLADE ASSEMBLY		
7	FU8-0509-000		1	GEAR, 18T/18T		
8	FU8-0510-000		1	GEAR, 18T		
9	FU8-0512-000		2	GEAR, 31T/13T		
10	FM4-9170-000		1	DEVELOPING CYLINDER ASSEMBLY		
11	FU7-2916-000		1	SPRING, TORSION		
12	FU8-0511-000		1	GEAR, 16T		
13	FU8-0553-000		2	GEAR, 24T		
14	FU9-0383-000		1	GEAR, 20T		
15	MB4-8201-000		2	SEAL, OIL		
16	WP2-5282-000		1	SENSOR, ELECTROMAGNETIC	S25	
17	XG9-0387-000		2	BEARING, BALL, L-1680HH LY13		
501	XD1-4200-302		1	WASHER, TOOTHED LOCK, M3		
502	XD3-2200-142		1	PIN, PARALLEL		

FIGURE 770 WASTE TONER BOX ASSEMBLY

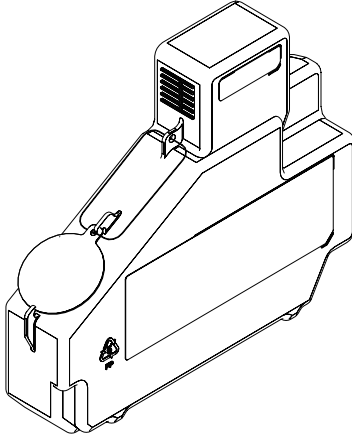


FIGURE & KEY NO.	PARTS NUMBER	RANK	QTY	DESCRIPTION	SERIAL NUMBER/REMARKS	SVC
Fig.770	FM3-9276-010		1	WASTE TONER BOX ASSEMBLY	[DP]	

FIGURE 810 FIXING ASSEMBLY

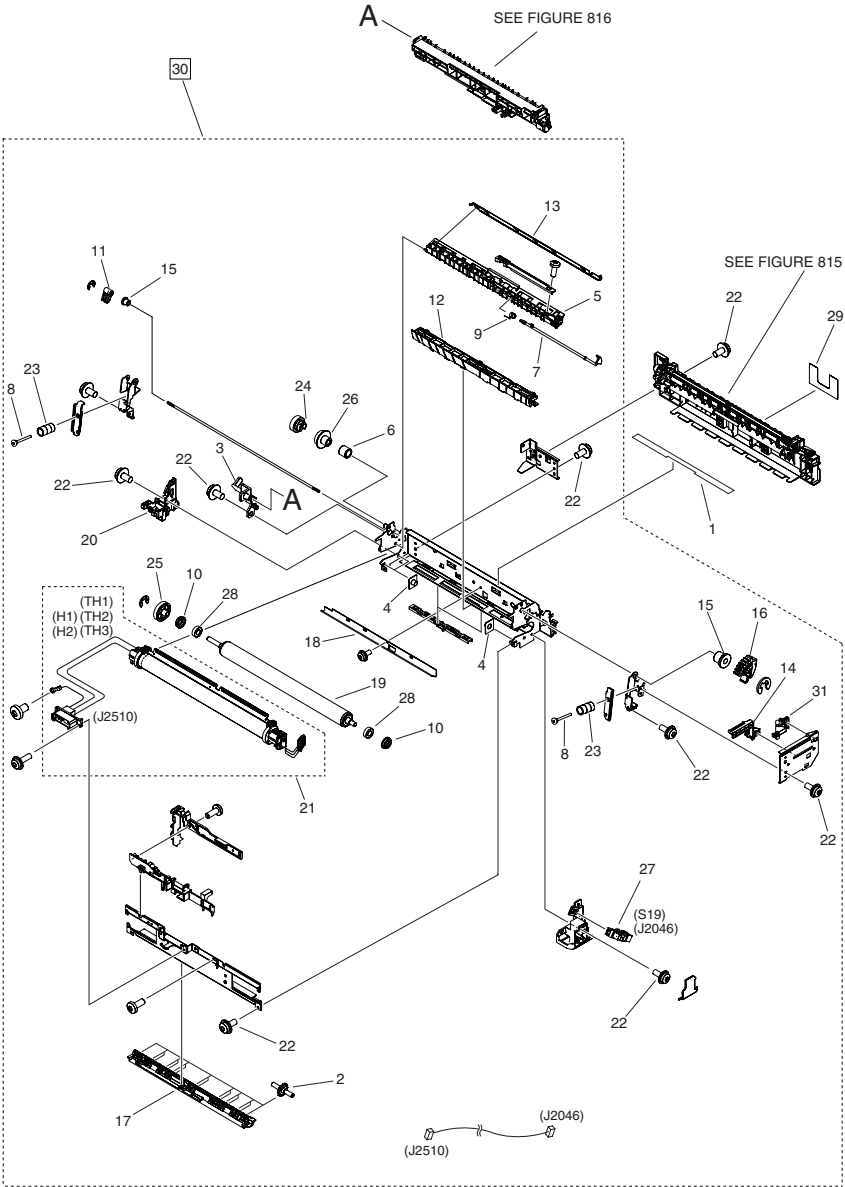


FIGURE & KEY NO.	PARTS NUMBER	R A N K	Q'TY	DESCRIPTION	SERIAL NUMBER/ REMARKS	S V C
Fig.810	NPN		RF	FIXING ASSEMBLY		
1	FE2-0466-000		1	LABEL, CAUTION		
2	FE2-2846-000		16	ROWEL		
3	FC0-3069-000		1	HOLDER, FIXING DELIVERY, UPPER		
4	FC0-0293-000		11	CAP,DUST		
5	FC0-2394-000		1	GUIDE, DELIVERY LOWER		
6	FC0-2406-000		1	COLLAR, FIXING DELIVERY		
7	FC0-2413-000		1	FLAG, SENSOR		
8	FC0-4356-000		2	SCREW, STEPPED		
9	FC5-1367-000		1	SPRING,SENSOR LEVER		
10	FC5-7182-000		2	HOUSING,BEARING		
11	FC9-0738-000		1	LEVER, PRESSURE RELEASE, REAR		
12	FC9-0781-010		1	GUIDE, FIXING ENTRANCE, 1		
13	FC9-0782-000		1	ELIMINATOR, STATIC CHARGE		
14	FC9-0787-010		1	RACK, PRESSURE RELEASE		
15	FC9-0790-000		2	BUSHING		
16	FC9-0792-000		1	GEAR, 7T		
17	FE2-0749-000		1	GUIDE, FIXING ENTRANCE, 2		
18	FC9-8968-000		1	ELIMINATOR, STATIC CHARGE		
19	FC9-8974-000		1	ROLLER, PRESSURE		
20	FM3-9401-000		1	H.V. CONTACT GUIDE ASSEMBLY		
21	FM4-7899-000		1	FIXING FILM ASSEMBLY	100V	
21	FM4-7897-000		1	FIXING FILM ASSEMBLY	120V of IR-ADV 4051	
21	FM4-7898-000		1	FIXING FILM ASSEMBLY	230V of IR-ADV 4051	
21	FM4-7900-000		1	FIXING FILM ASSEMBLY	EXCEPT 120V of IR-ADV 4051	
21	FM4-7901-000		1	FIXING FILM ASSEMBLY	EXCEPT 230V of IR-ADV 4051	
22	XA9-0702-000		14	SCREW, WWASHER, M3X6		
23	FU8-2881-000		2	SPRING, COMPRESSION	EXCEPT IR-ADV 4051	
23	FU8-2788-000		2	SPRING, COMPRESSION	IR-ADV 4051	
24	FU9-0386-000		1	GEAR, 18T		
25	FU9-0576-000		1	GEAR, 36T		

FIGURE & KEY NO.	PARTS NUMBER	RANK	Q'TY	DESCRIPTION	SERIAL NUMBER/REMARKS	SVC
26	FU9-0577-000		1	GEAR, 15T/22T		
27	WG8-5836-000		1	IC PHOTOINTERRUPTER, HYBRID	S19	
28	XG9-0172-000		2	BALL BEARING, NSK, 688AZZ1MC4E		
29	FU6-8898-000		1	LABEL,HIGH TEMPERATURE CAUTION		
30	FM4-9735-000		1	FIXING ASSEMBLY, MAIN	100V[DP]	
30	FM4-9733-000		1	FIXING ASSEMBLY, MAIN	120V of IR-ADV 4051[DP]	
30	FM4-9734-000		1	FIXING ASSEMBLY, MAIN	230V of IR-ADV 4051[DP]	
30	FM4-9736-000		1	FIXING ASSEMBLY, MAIN	EXCEPT 120V of IR-ADV 4051[DP]	
30	FM4-9737-000		1	FIXING ASSEMBLY, MAIN	EXCEPT 230V of IR-ADV 4051[DP]	
31	FC9-0785-000		1	GUIDE, RELEASE		

FIGURE 815 DELIVERY LOWER GUIDE ASSEMBLY

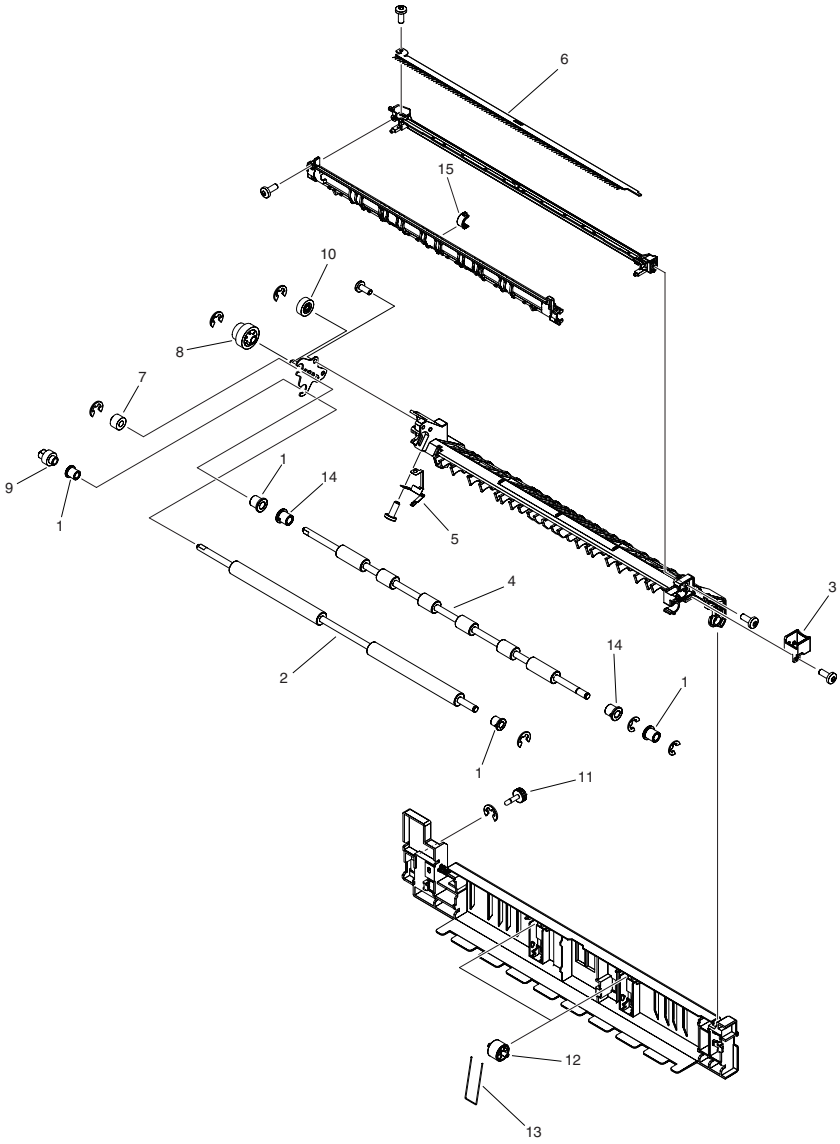


FIGURE & KEY NO.	PARTS NUMBER	R A N K	Q'TY	DESCRIPTION	SERIAL NUMBER/ REMARKS	S V C
Fig.815	FM4-7293-000		1	DELIVERY LOWER GUIDE UNIT		
1	FA9-4041-005		4	BUSHING		
2	FC0-3063-000		1	ROLLER, PAPER DELIVERY		
3	FC0-3074-000		1	HOLDER, FIXING PAPER DELIVERY		
4	FC0-3077-000		1	ROLLER, FIXING PAPER DELIVERY		
5	FC0-8273-000		1	PLATE, GROUNDING		
6	FL3-6225-000		1	ELIMINATOR, STATIC CHARGE		
7	FU9-0319-000		1	GEAR, 14T		
8	FU9-0320-000		1	GEAR, 18T/26T		
9	FU9-0321-000		1	GEAR, 15T		
10	FU9-0325-000		1	GEAR, 18T		
11	FE2-0464-000		1	SCREW, FIXED, M4		
12	FC9-7720-000		2	COLLAR, FIXING DELIVERY		
13	FU7-2934-000		2	SPRING, RETAINING		
14	FC9-1672-000		2	BUSHING		
15	FE2-0508-000		1	BUSHING		

FIGURE 816 DELIVERY UPPER GUIDE ASSEMBLY

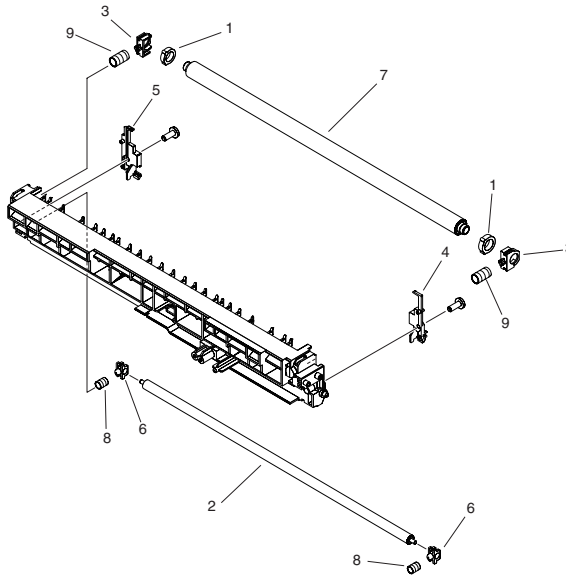


FIGURE & KEY NO.	PARTS NUMBER	RANK	QTY	DESCRIPTION	SERIAL NUMBER/REMARKS	SVC
Fig.816	FM4-7295-000		1	DELIVERY UPPER GUIDE ASSEMBLY		
1	FA9-4077-000		2	BUSHING		
2	FC0-3064-000		1	ROLLER, PAPER DELIVERY DRIVEN		
3	FC0-3066-000		2	HOLDER, BUSHING		
4	FC0-3067-000		1	HOLDER, BUSHING		
5	FC0-3068-000		1	HOLDER, BUSHING		
6	FC0-8277-000		2	BUSHING		
7	FL2-5277-000		1	ROLLER, SLEEVE		
8	FU5-2683-000		2	SPRING, COMPRESSION		
9	FU8-2787-000		2	SPRING, COMPRESSION		

FIGURE 900 CONTROLLER BOX ASSEMBLY

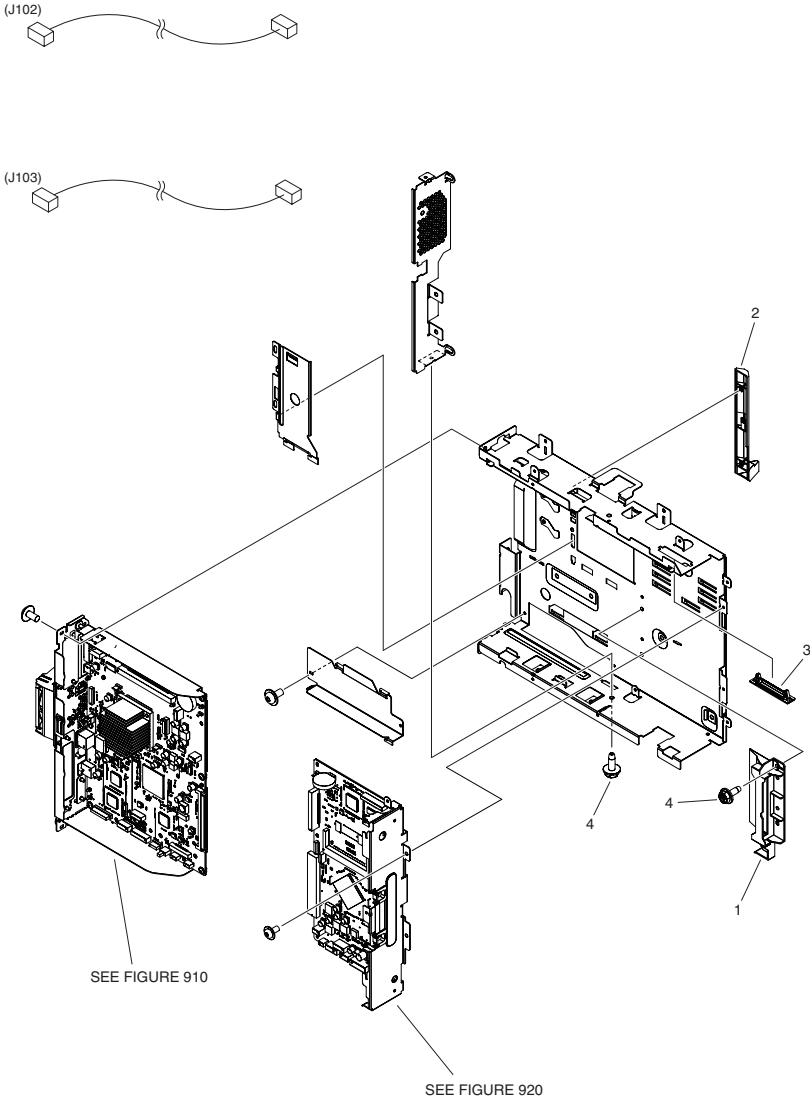


FIGURE & KEY NO.	PARTS NUMBER	RANK	Q'TY	DESCRIPTION	SERIAL NUMBER/REMARKS	SVC
Fig.900	NPN		RF	CONTROLLER BOX ASSEMBLY		
1	FC0-2548-000		1	HOLDER, PCB		
2	FC0-4359-000		1	COVER, HARD DISK DRIVE		
3	FC6-7576-000		1	BUSHING, FFC		
4	XA9-1567-000		4	SCREW, RS, M3X8.5		

FIGURE 910 MAIN CONTROLLER PCB ASS'Y, 1

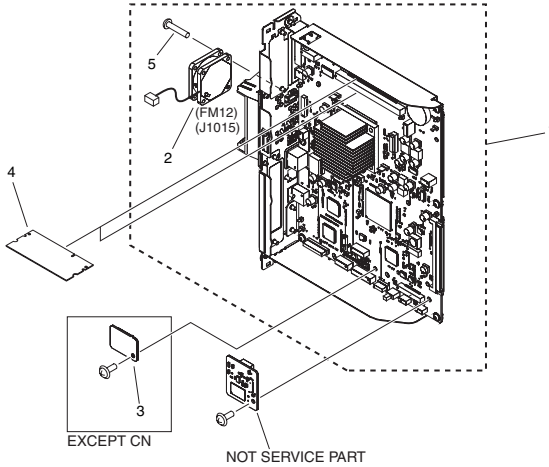


FIGURE & KEY NO.	PARTS NUMBER	RANK	Q'TY	DESCRIPTION	SERIAL NUMBER/REMARKS	SVC
Fig.910	NPN		RF	MAIN CONTROLLER PCB ASS'Y, 1		
1	FM4-9726-000		1	MAIN CONTROLLER PCB ASS'Y, 1	IR-ADV 4051 SERIES	
1	FM4-9727-000		1	MAIN CONTROLLER PCB ASS'Y, 1	IR-ADV 4045 SERIES	
1	FM4-9728-000		1	MAIN CONTROLLER PCB ASS'Y, 1	IR-ADV 4035 SERIES	
1	FM4-9729-000		1	MAIN CONTROLLER PCB ASS'Y, 1	IR-ADV 4025 SERIES	
2	FK2-8276-000		1	FAN	FM12	
3	FM4-0783-000		1	TPM PCB ASSEMBLY	EXCEPT CN	
4	FK2-8341-000		2	DIMM, SMD-E51288HG-6E, SDRAM		
5	XA9-1917-000		2	SCREW, MACH., PAN HEAD, M2X10		
IC	FK2-8272-000		1	IC, LE80578EG009C, MPU	IC3	

FIGURE 920 MAIN CONTROLLER PCB ASS'Y, 2

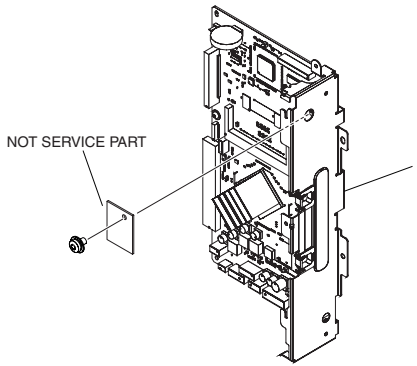


FIGURE & KEY NO.	PARTS NUMBER	RANK	Q'TY	DESCRIPTION	SERIAL NUMBER/REMARKS	SVC
Fig.920	NPN		RF	MAIN CONTROLLER PCB ASS'Y, 2		
1	FM4-7908-000		1	MAIN CONTROLLER PCB ASS'Y, 2	IR-ADV 4051,4045,4035 SERIES	
1	FM4-7909-000		1	MAIN CONTROLLER PCB ASS'Y, 2	IR-ADV 4025 SERIES	
IC	FK2-3218-000		1	IC, MB87L8650, GATE ARRAY	IC24	
IC	FK2-8988-000		1	IC, R8A03018ABG U200, ASIC	IC1	
IC	FK2-7852-000		1	IC, T6TH5EFG-0002(0), STANDARD	IC5	
IC	FK3-1553-000		1	IC, CLOCK GENERATOR, HYBRID	IC22	

FIGURE 930 ENGINE CONTROLLER PCB ASSEMBLY

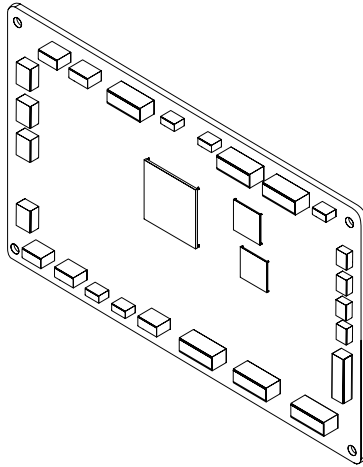


FIGURE & KEY NO.	PARTS NUMBER	RANK	QTY	DESCRIPTION	SERIAL NUMBER/REMARKS	SVC
Fig.930	FM4-7612-000		1	ENGINE CONTROLLER PCB ASSEMBLY	IR-ADV 4025 SERIES 100V,IR-ADV 4025 SERIES 120V	
Fig.930	FM4-7613-000		1	ENGINE CONTROLLER PCB ASSEMBLY	IR-ADV 4035 SERIES 100V and 120V,IR-ADV 4045 SERIES 100V and 120V	
Fig.930	FM4-7614-000		1	ENGINE CONTROLLER PCB ASSEMBLY	IR-ADV 4051 SERIES 120V	
Fig.930	FM4-8596-000		1	ENGINE CONTROLLER PCB ASSEMBLY	IR-ADV 4025 SERIES 230V	
Fig.930	FM4-8597-000		1	ENGINE CONTROLLER PCB ASSEMBLY	IR-ADV 4035 SERIES 230V,IR-ADV 4045 SERIES 230V	
Fig.930	FM4-8598-000		1	ENGINE CONTROLLER PCB ASSEMBLY	IR-ADV 4051 SERIES 230V	
IC	FK2-1773-000		2	IC,TC200GO2EFG-1031,GATE ARRAY	IC3,IC4	
IC	FK2-6450-000		1	IC, FSA0AC211AA	IC2	

FIGURE 980 HIGH VOLTAGE PCB ASSEMBLY

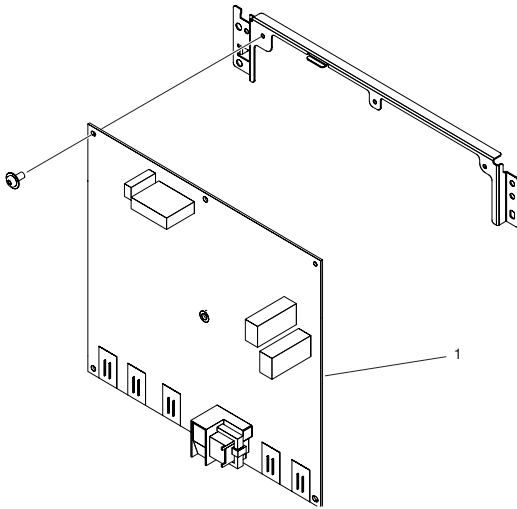


FIGURE & KEY NO.	PARTS NUMBER	RANK	QTY	DESCRIPTION	SERIAL NUMBER/REMARKS	SVC
Fig.980	NPN		RF	HIGH VOLTAGE PCB ASSEMBLY		
1	FM4-7615-000		1	H.V. TRANSFER PCB ASSEMBLY		

FIGURE B10 ADF MAIN BODY (ADF MODEL)

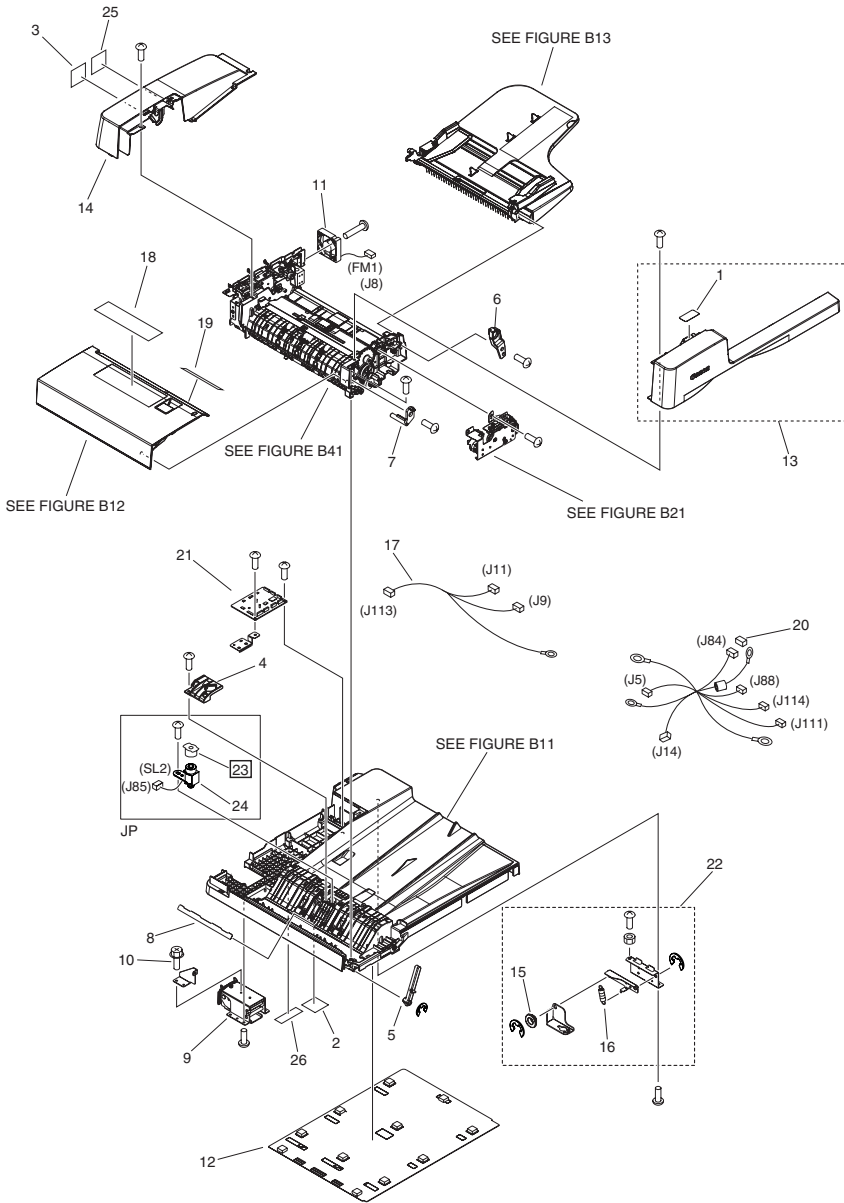


FIGURE & KEY NO.	PARTS NUMBER	R A N K	Q'TY	DESCRIPTION	SERIAL NUMBER/ REMARKS	S V C
Fig.B10	NPN		RF	ADF MAIN BODY (ADF MODEL)		
1	FS9-0203-000		1	LABEL, DIAL OPERATION		
2	FU7-8223-000		1	LABEL, HINGE CAUTION		
3	FU7-8452-000		1	LABEL, HINGE CAUTION, C		
4	FC8-6311-000		1	COVER, STAMP		
5	FC8-6330-000		1	LEVER, READ 1 ESTRANGEMENT		
6	FC8-6387-000		1	HOLDER, TRAY SUPPORT		
7	FC8-6388-000		1	HOLDER, FEEDER SHAFT		
8	FC8-6405-000		1	SHEET, READ 2 LEAD		
9	FC8-6420-000		1	HINGE, LEFT		
10	XA9-0732-000		3	SCREW,RS,M4		
11	FK2-6873-000		1	FAN	FM1	
12	FL2-9945-000		1	COVER, COPYBOARD		
13	FL3-2934-000		1	COVER, FRONT		
14	FL3-2935-000		1	COVER, REAR		
15	FU5-1173-000		1	BUSHING		
16	FU7-2651-000		1	SPRING, TENSION		
17	FM4-8149-000		1	CABLE, INTERFACE		
18	FU7-8444-000		1	LABEL, PROHIBITION DOCUMENT	JP	
18	FU7-8446-000		1	LABEL, PROHIBITION DOCUMENT	EXCEPT JP	
19	FU7-8447-000		1	LABEL, DOCUMENT SIZE	A/B SIZE	
19	FU7-8449-000		1	LABEL, DOCUMENT SIZE	A/INCH SIZE	
19	FU7-8450-000		1	LABEL, DOCUMENT SIZE	AB/K/INCH SIZE	
20	VS1-7177-002		1	CONNECTOR, SNAP TIGHT, BK		
21	FM4-8145-000		1	ADF PCB ASSEMBLY		
22	FM3-6893-000		1	RIGHT HINGE ASSEMBLY		
23	FB5-9410-000		1	STAMPER	JP[DP]	
24	FK2-0216-000		1	SOLENOID	JPSL2	
25	FU7-8453-000		1	LABEL, HINGE CAUTION, C	Japanese	
25	FU7-8454-000		1	LABEL, HINGE CAUTION, C	English	
25	FU7-8455-000		1	LABEL, HINGE CAUTION	French,Spanish,Portuguese	

FIGURE & KEY NO.	PARTS NUMBER	RANK	Q'TY	DESCRIPTION	SERIAL NUMBER/REMARKS	SVC
25	FU7-8457-000		1	LABEL, HINGE CAUTION, C	Simplified Chinese, Traditional Chinese, Korean	
26	FU7-8142-000		1	LABEL, HINGE CAUTION	Japanese	
26	FU7-8225-000		1	LABEL, HINGE CAUTION, A	English	
26	FU7-8226-000		1	LABEL, HINGE CAUTION	French, Spanish, Portuguese	
26	FU7-8401-000		1	LABEL, HINGE CAUTION	Simplified Chinese, Traditional Chinese, Korean	

FIGURE B11 BASE ASSEMBLY (ADF MODEL)

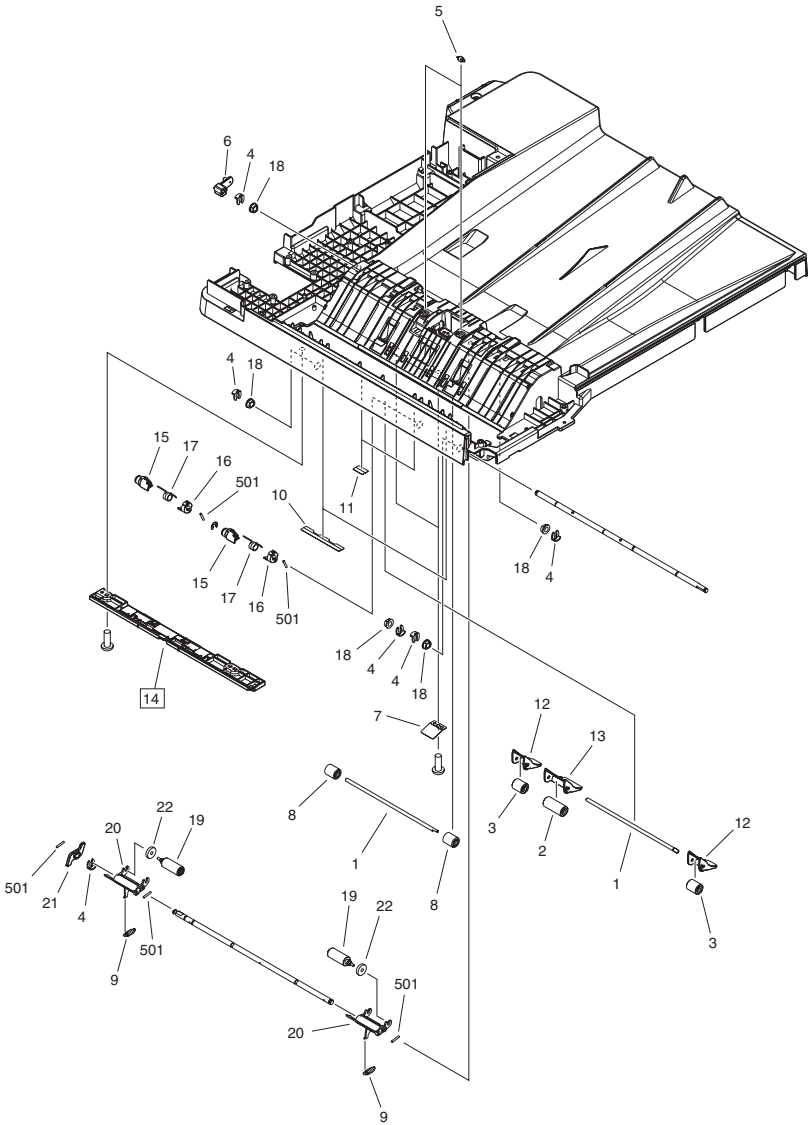


FIGURE & KEY NO.	PARTS NUMBER	R A N K	Q'TY	DESCRIPTION	SERIAL NUMBER/ REMARKS	S V C
Fig.B11	NPN		RF	BASE ASSEMBLY (ADF MODEL)		
1	FC5-4285-030		2	SHAFT, PAPER FEED ROLLER		
2	FC5-4286-000		1	ROLLER, PAPER FEED, 1		
3	FC5-4287-000		2	ROLLER, PAPER FEED, 2		
4	FC5-4425-000		6	CLIP		
5	FC6-8973-000		2	ROLLER, PLATEN		
6	FC8-6319-000		1	HOLDER, SOLENOID		
7	FC8-6322-000		2	SPRING, LEAF		
8	FC8-6404-000		2	ROLLER, READ 2 PINCH		
9	FU7-2652-000		2	SPRING, TENSION		
10	FC8-6422-000		2	SHEET, PAPER FEED		
11	FC8-6423-000		2	SHEET, PAPER FEED		
12	FL2-9933-000		2	HOLDER, ROLLER, SMALL		
13	FL2-9934-000		1	HOLDER, ROLLER, LARGE		
14	FL3-2942-000		1	COVER, BASE, LOWER	[DP]	
15	FC8-6331-000		2	LEVER, READ 1 PRESSURE		
16	FC8-6332-000		2	COLLAR, READ 1 PRESSURE		
17	FU7-2653-000		2	SPRING, TORSION		
18	FU5-1168-000		5	BUSHING		
19	FC8-6316-000		2	ROLLER, DELIVERY		
20	FC8-6317-000		2	HOLDER, DELIVERY ROLLER		
21	FC8-6318-000		1	CAM, DELIVERY ESTRANGEMENT		
22	FC8-6419-000		2	DAMPER, DELIVERY		
501	XD3-2200-122		5	PIN, DOWEL		

FIGURE B12 PAPER PICK-UP COVER ASSEMBLY (ADF MODEL)

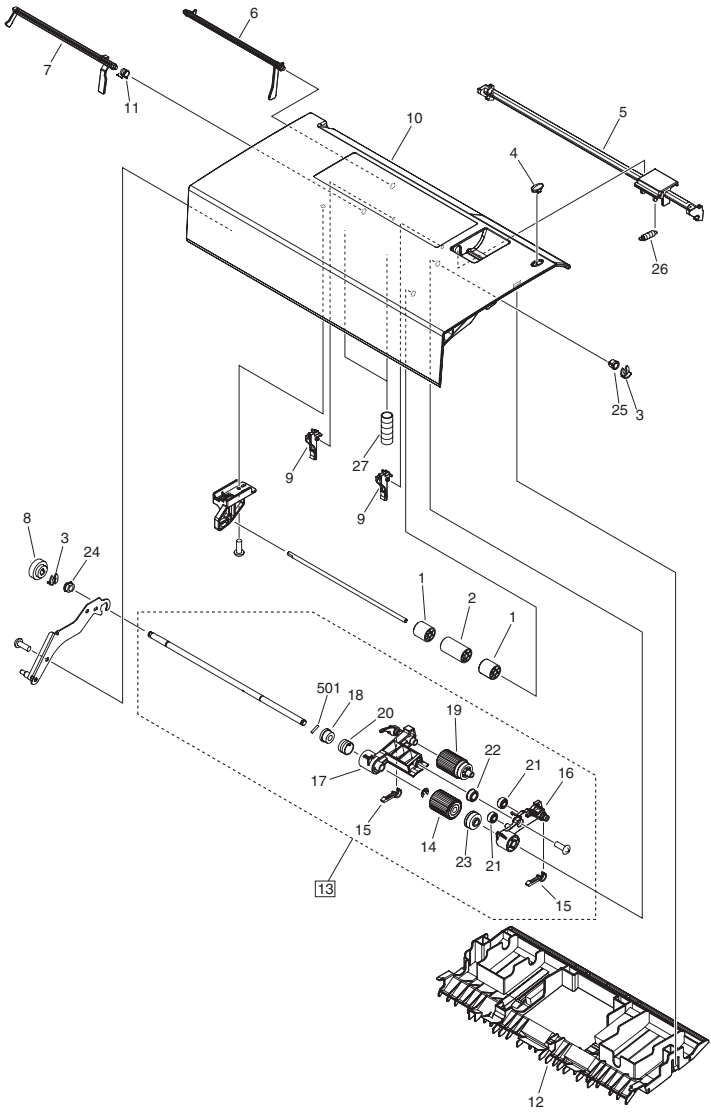


FIGURE & KEY NO.	PARTS NUMBER	R A N K	Q'TY	DESCRIPTION	SERIAL NUMBER/ REMARKS	S V C
Fig.B12	FM0-1208-000		1	PAPER PICK-UP COVER ASSEMBLY		
1	FC5-4323-000		2	ROLLER, REGISTRATION, 1		
2	FC5-4324-000		1	ROLLER, REGISTRATION, 2		
3	FC5-4425-000		2	CLIP		
4	FC8-6345-000		1	CASE, LED		
5	FC9-6190-000		1	KNOB, PAPER PICK-UP COVER		
6	FC8-6347-010		1	LEVER, EMPTY SENSOR		
7	FC8-6348-000		1	LEVER, TIMING SENSOR		
8	FU8-0302-000		1	GEAR, 24T		
9	FL2-9948-000		2	SHUTTER		
10	FL3-2940-000		1	COVER, PAPER PICK-UP		
11	FU7-2656-000		1	SPRING, TORSION		
12	FL3-5998-000		1	GUIDE, PAPER PICK-UP, LOWER		
13	FM3-6892-010		1	PAPER PICK-UP ROLLER UNIT	[DP]	
14	FC6-2784-000		1	ROLLER, PAPER SEPARATION		
15	FC6-8971-010		2	LEVER, STOP		
16	FC8-6351-000		1	ARM, PICK, FRONT		
17	FC8-6352-010		1	ARM, PICK, REAR		
18	FC8-6353-000		1	JOINT		
19	FC8-6355-000		1	ROLLER, PICK-UP		
20	FC8-6410-010		1	SPRING, TORSION		
21	FU8-0299-000		2	GEAR, 20T		
22	FU8-0300-000		1	GEAR, 22T		
23	FU8-0301-000		1	GEAR, 33T		
24	FU5-1172-000		1	BUSHING		
25	FU5-1626-000		1	BUSHING		
26	FU7-2654-000		1	SPRING, TENSION		
27	FU7-2655-000		2	SPRING, COMPRESSION		
501	XD3-2200-102		1	PIN, PARALLEL		

FIGURE B13 DOCUMENT TRAY ASSEMBLY (ADF MODEL)

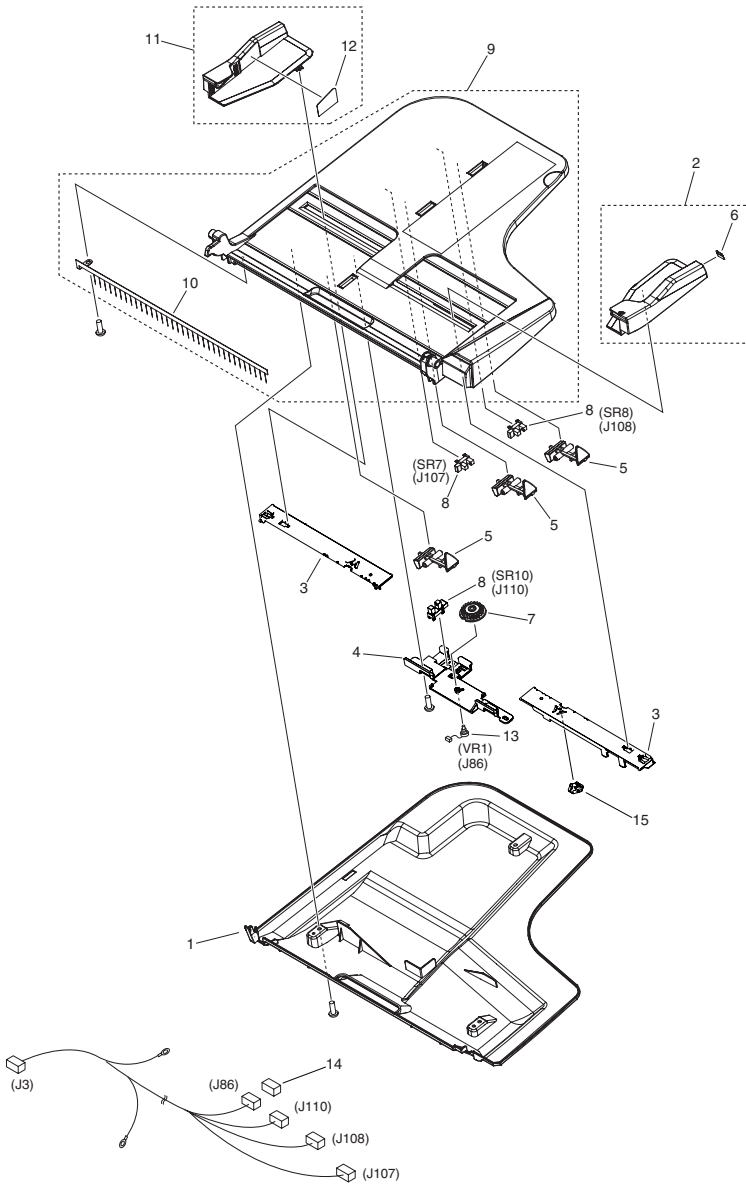


FIGURE & KEY NO.	PARTS NUMBER	R A N K	Q'TY	DESCRIPTION	SERIAL NUMBER/ REMARKS	S V C
Fig.B13	FM4-8978-000		1	DOCUMENT TRAY ASSEMBLY		
1	FL3-2450-000		1	COVER, TRAY, LOWER		
2	FL3-2451-000		1	GUIDE, TRAY, FRONT		
3	FC9-4983-000		2	RACK, TRAY		
4	FC8-6338-000		1	HOLDER, TRAY VOLUME		
5	FC8-6339-000		3	LEVER, TRAY SENSOR		
6	FU7-8133-000		1	LABEL, DOCUMENT MAXIMUM LOAD		
7	FC9-4984-000		1	GEAR, 50T		
8	WG8-5696-000		3	PHOTO INTERRUPTER, TLP1243	SR7,SR8,SR10	
9	FL3-2449-000		1	TRAY, DOCUMENT		
10	FC8-6341-000		1	ELIMINATOR, STATIC CHARGE		
11	FL3-2452-000		1	GUIDE, TRAY, REAR		
12	FU7-8134-000		1	LABEL, DOCUMENT MAXIMUM LOAD		
13	FG3-3757-000		1	VARIABLE RESISTOR UNIT	VR1	
14	VS1-7177-003		1	CONNECTOR, SNAP TIGHT, BK		
15	FC8-6340-000		1	RACK, TRAY		

FIGURE B21 ESTRANGEMENT DRIVE ASSEMBLY (ADF MODEL)

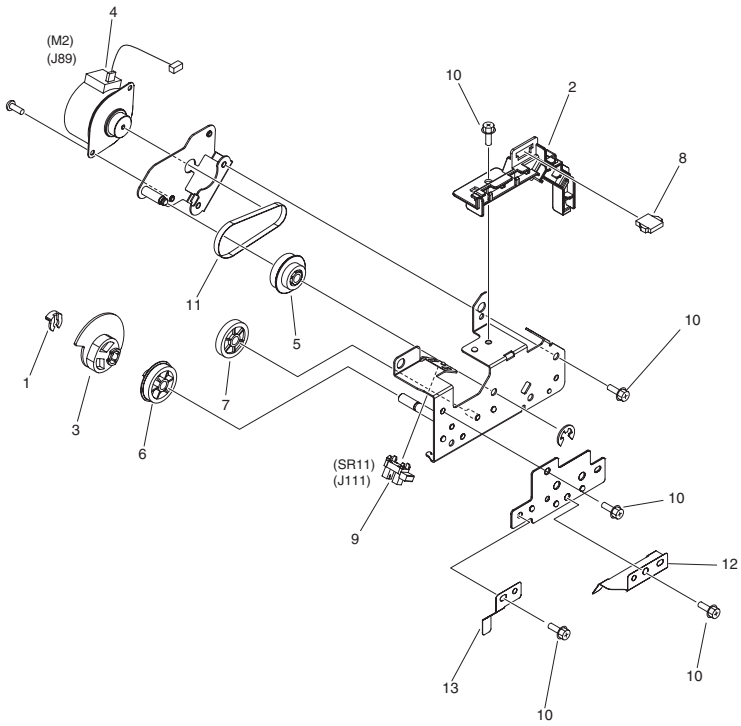
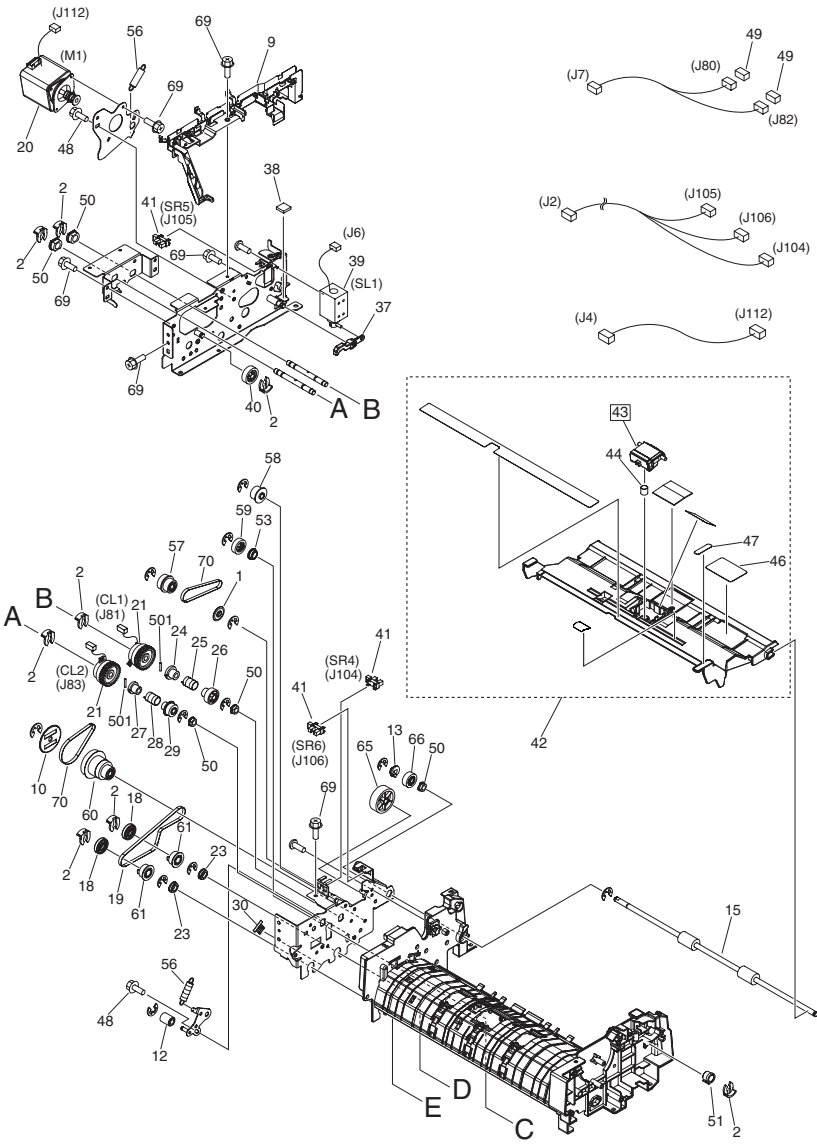


FIGURE & KEY NO.	PARTS NUMBER	RANK	Q'TY	DESCRIPTION	SERIAL NUMBER/REMARKS	SVC
Fig.B21	NPN		RF	ESTRANGEMENT DRIVE ASSEMBLY		
1	FC5-4425-000		1	CLIP		
2	FC8-6406-000		1	DUCT, ESTRANGEMENT HARNESS		
3	FC8-6407-000		1	CAM, ESTRANGEMENT		
4	FK2-0207-000		1	MOTOR, STEPPING, DC	M2	
5	FU8-0311-000		1	GEAR/PULLEY, 40T/20T		
6	FU8-0319-000		1	GEAR, 31T		
7	FU8-0320-000		1	GEAR, 30T		
8	VS1-7177-004		1	CONNECTOR, SNAP TIGHT, BK		
9	WG8-5696-000		1	PHOTO INTEUPTE, TLP1243	SR11	
10	XA9-0732-000		5	SCREW,RS,M4		
11	XF2-1607-640		1	BELT, TIMING		
12	FC0-4617-000		1	SPRING, LEAF		
13	FC0-9122-000		1	PLATE, GROUNDING		

FIGURE B41 PAPER FEED ASSEMBLY (ADF MODEL)



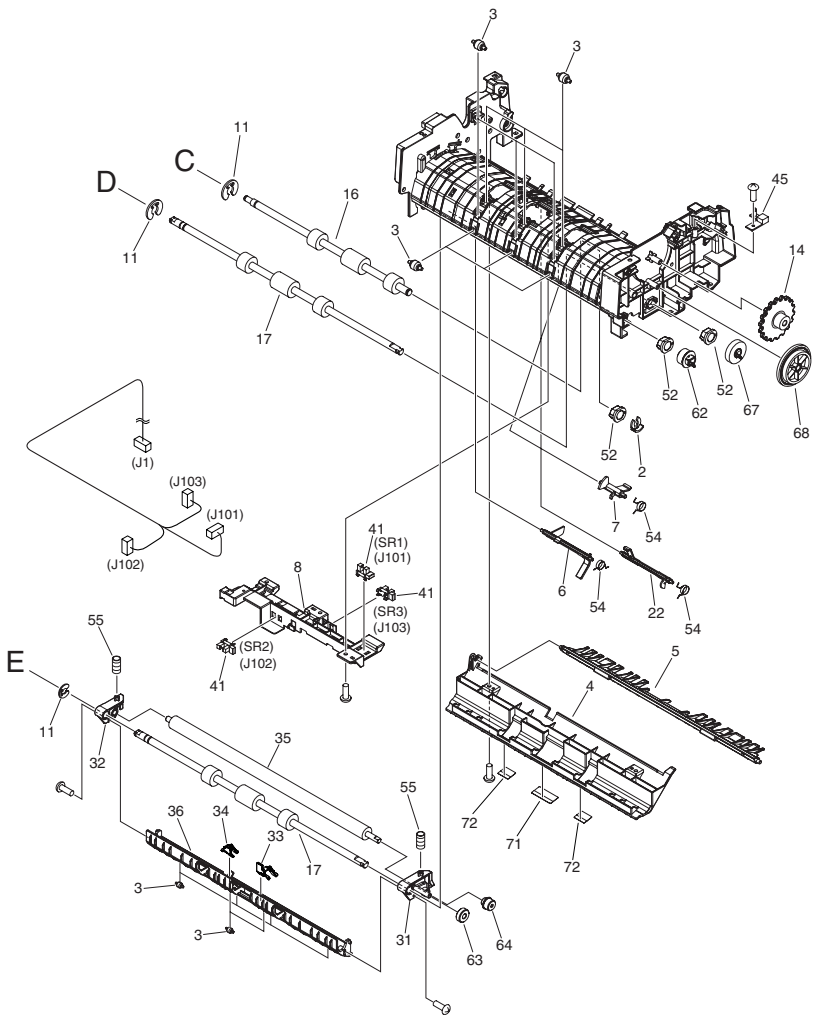


FIGURE & KEY NO.	PARTS NUMBER	R A N K	Q'TY	DESCRIPTION	SERIAL NUMBER/ REMARKS	S V C
Fig.B41	FM4-8976-000		1	PAPER FEED ASSEMBLY		
1	FC5-4353-000		1	FLANGE, BELT		
2	FC5-4425-000		9	CLIP		
3	FC6-8973-000		15	ROLLER, PLATEN		
4	FC8-6368-000		1	GUIDE, PLATEN, 2		
5	FL2-9949-000		1	FLAPPER, REVERSE		
6	FC8-6371-000		1	LEVER, READ SENSOR		
7	FC8-6372-000		1	LEVER, PAPER DELIVERY SENSOR		
8	FC8-6377-000		1	HOLDER, SENSOR		
9	FC8-6378-020		1	DUCT, HARNESS		
10	FC8-6379-000		1	FLANGE, PULLEY		
11	FC8-6380-000		3	CLIP		
12	FC8-6382-000		1	ROLLER, BELT TENSION		
13	FC8-6385-000		1	JOINT, DELIVERY GEAR		
14	FC0-4616-000		1	DIAL, JAM		
15	FC8-6395-010		1	ROLLER, DELIVERY		
16	FC8-6396-000		1	ROLLER, REGISTRATION		
17	FC0-4619-000		2	ROLLER, READ		
18	FC8-6418-000		2	JOINT, READ PULLEY		
19	FC8-6421-000		1	BELT, TIMING		
20	FK3-1613-000		1	MOTOR, STEPPING, DC	M1	
21	FK2-6870-000		2	CLUTCH, ELECTROMAGNETIC	CL1,CL2	
22	FL2-9937-000		1	FLAG, REGISTRATION SENSOR		
23	XG9-0507-000		2	BEARING, BALL, MF128ZZ		
24	FC8-6383-000		1	JOINT, PICK-UP		
25	FC8-6411-000		1	SPRING, TORSION		
26	FU8-0304-000		1	GEAR, 22T		
27	FC8-6384-000		1	JOINT, REGISTRATION		
28	FC8-6412-000		1	SPRING, TORSION		
29	FU8-0307-000		1	GEAR, 18T		
30	FC8-6399-000		1	ELIMINATOR, STATIC CHARGE		
31	FC8-6373-000		1	ARM, PLATEN, FRONT		

FIGURE & KEY NO.	PARTS NUMBER	R A N K	Q'TY	DESCRIPTION	SERIAL NUMBER/REMARKS	S V C
32	FC8-6374-000		1	ARM, PLATEN, REAR		
33	FC8-6375-000		1	SPACER, READ, FRONT		
34	FC8-6376-000		1	SPACER, READ, REAR		
35	FC8-6398-000		1	ROLLER, WHITE		
36	FL2-9939-000		1	GUIDE, PLATEN, 1		
36	FC8-6381-000		1	LINK, SOLENOID		
38	FC8-6403-000		1	DAMPER, REV. GUIDE RETAINING		
39	FK2-6871-000		1	SOLENOID	SL1	
40	FU8-0306-000		1	GEAR, 25T		
41	WG8-5696-000		6	PHOTO INTEUPTTE, TLP1243	SR1,SR2,SR3,SR4,SR5,SR6	
42	FM0-1209-000		1	SEPARATION REVERSE GUIDE ASS'Y		
43	FL3-5538-000		1	HOLDER, SEPARATION PAD UNIT	[DP]	
44	FU7-2657-000		1	SPRING, COMPRESSION		
45	FM4-8146-000		1	LED PCB UNIT		
46	FS9-0204-000		1	LABEL, JAM CLEARING OPERATION		
47	FS9-0205-000		1	LABEL, GREEN		
48	XA9-0702-000		4	SCREW, W/WASHER, M3X6		
49	VS1-7177-002		2	CONNECTOR, SNAP TIGHT, BK		
50	FU5-1172-000		5	BUSHING		
51	FU5-1626-000		1	BUSHING		
52	FU6-1088-000		3	BUSHING		
53	FU6-1089-000		1	BUSHING		
54	FU7-2658-000		3	SPRING, TORSION		
55	FU7-2659-000		2	SPRING, COMPRESSION		
56	FU7-2660-000		2	SPRING, TENSION		
57	FU8-0303-000		1	GEAR PULLEY, 27T/22T		
58	FU8-0305-000		1	GEAR, 18T		
59	FU8-0308-000		1	GEAR, 22T		
60	FU8-0309-000		1	GEAR PULLEY, 36T/54T/28T		
61	FU8-0310-000		2	PULLEY, 36T		
62	FU8-0312-000		1	GEAR, 18T		

FIGURE & KEY NO.	PARTS NUMBER	RANK	Q'TY	DESCRIPTION	SERIAL NUMBER/REMARKS	SVC
63	FU8-0313-000		1	GEAR, 18T		
64	FU8-0314-000		1	GEAR, 14T		
65	FU8-0315-000		1	GEAR, 39T		
66	FU8-0316-000		1	GEAR, 21T		
67	FU8-0317-000		1	GEAR, 32T		
68	FU8-0318-000		1	GEAR, 48T/62T		
69	XA9-1164-000		8	SCREW,RS,M3X6.5		
70	XF2-1607-640		2	BELT, TIMING		
71	FC8-6356-000		1	SHEET, CLEANING, LARGE		
72	FC8-6357-000		2	SHEET, CLEANING, SMALL		
501	XD3-2200-122		3	PIN, DOWEL		

FIGURE D90 READER CONTROLLER PCB ASSEMBLY

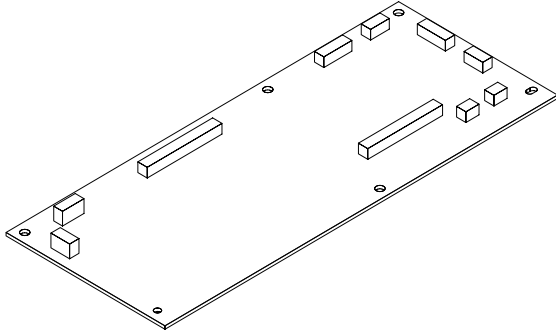


FIGURE & KEY NO.	PARTS NUMBER	RANK	Q'TY	DESCRIPTION	SERIAL NUMBER/REMARKS	SVC
Fig.D90	FM4-7697-000		1	READER CONTROLLER PCB ASSEMBLY	EXCEPT EUR	
IC	FK2-7574-000		1	IC, MB87Q1911, ASIC	IC3	

FIGURE T20 G3 FAX ASSEMBLY, 1 LINE (FAX)

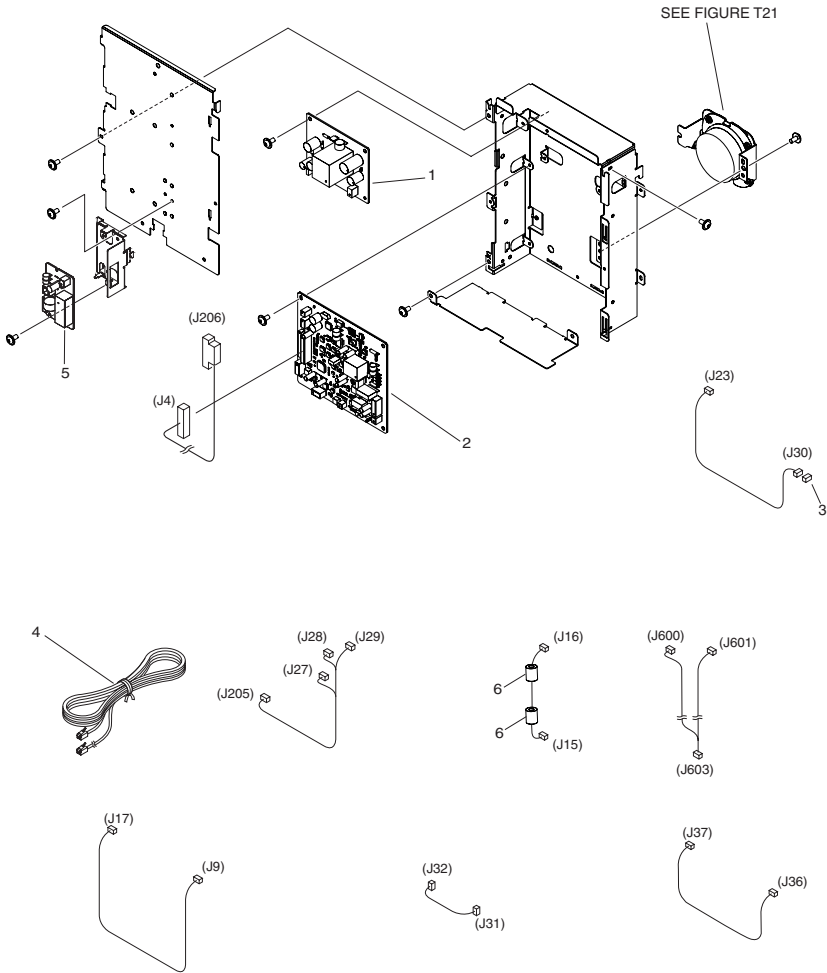


FIGURE & KEY NO.	PARTS NUMBER	RANK	Q'TY	DESCRIPTION	SERIAL NUMBER/REMARKS	SVC
Fig.T20	NPN		1	G3 FAX ASSEMBLY, 1 LINE (FAX)	FAX MODEL	
1	FM3-5580-000		1	PSEUDO CI2 PCB ASSEMBLY		
2	FM4-0838-000		1	1 LINE PCB ASSEMBLY		
3	VS1-7177-002		1	CONNECTOR, SNAP TIGHT, BK		
4	HH2-2824-000		1	MODULAR CORD, 2P		
5	FM4-0788-000		1	MODULAR PCB ASSEMBLY		
6	WE8-6823-000		2	CORE, FERRITE		

FIGURE T21 SPEAKER ASSEMBLY (FAX)

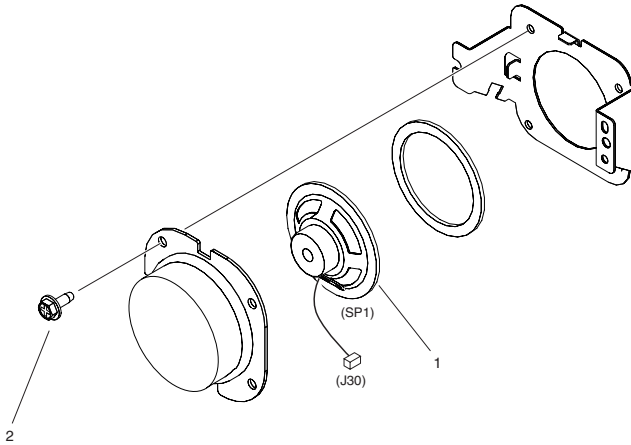


FIGURE & KEY NO.	PARTS NUMBER	RANK	QTY	DESCRIPTION	SERIAL NUMBER/REMARKS	SVC
Fig.T21	FM4-9135-000		1	SPEAKER ASSEMBLY		
1	FK2-0428-000		1	SPEAKER	SP1	
2	XA9-1386-000		4	SCREW,RS,M3X8		

FIGURE ZZA

MECHANICAL STANDARD PARTS (HOW TO USE)

Mechanical standard parts

機械標準部品

About a mechanical standard parts

A Mechanical standard parts is a mechanical part which not parts peculiar to a product. They are parts which are common to a Canon product and are used, such as a screw and a washer. The Fig No. and parts number of the mechanical standard parts are not listed in the product parts catalog. Refer to the parts catalog of mechanical standard parts when checking the parts number for screw or washer etc. and identify them by part shape or size.

機械標準部品とは

機械標準部品とは、製品特有の部品ではなく、ねじやワッシャなどキヤノン製品共通で使用されている機械部品（メカ部品）のことです。
製品のパーツカタログには、機械標準部品のFig No.や部品番号は記載しておりません。
ねじや、ワッシャ等の部品番号を調べるときは、機械標準部品のパーツカタログを参照し、部品の形状や大きさから判断し、使用している部品を調べてください。

Material and surface treatment of a mechanical standard parts

Material and surface treatment of mechanical standard parts are assigned commonly for each part. Refer to the Table 1 for the parts which material and surface treatment are assigned as numbers.

機械標準部品の材料および表面処理

機械標準部品の材料および表面処理については、各種部品共通で決められています。
材料および表面処理が番号で決められている部品については、表1を参照してください。

Table 1 Material and Surface treatment
表1 材料および表面処理

No. 番号	Material 材料	Surface treatment 表面処理	Color 色
1	Stainless steel ステンレス	Stainless steel black coloring (BC4) ステンレス黒着色(BC4)	Black 黒
2		not to be given なし	White 白
3	Brass 黄銅	Regular nickel plating (NL) 普通ニッケルメッキ(NL)	White 白
4		Black nickel plating (BN) 黒色ニッケルメッキ(BN)	Black 黒
5	Steel 鋼	White zinc trivalent chromate treating (ZC3) 白色亜鉛3価クロメート(ZC3)	White 白
6		Regular nickel chromium plating (NC) 普通ニッケルクロムメッキ(NC)	White 白
7		Regular nickel plating (NL) 普通ニッケルメッキ(NL)	White 白
8		Iron and steel phosphating (P1) 鉄鋼磷酸塩処理(P1)	Black 黒
9		Black zinc trivalent chromate treating (BZ3) 黒色亜鉛3価クロメート(BZ3)	Black 黒

FIGURE ZZB MECHANICAL STANDARD PARTS (SCREWS)

1. Screws ねじ

How to read Parts Numbers
部品番号の見方

Screws
ねじ

XB1-2400-609

Type No.
類別番号

Normal designation (d)
ねじの呼び(d)

Length (L)
ねじの長さ(L)

Material and Surface treatment
材料および表面処理

XB1-2 expresses Binding head machine screw.
XB1-2は、バインドねじを表す

40 expresses M4.0.
40は、M4.0を表す

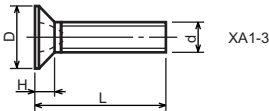
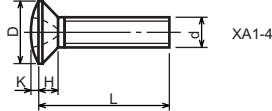
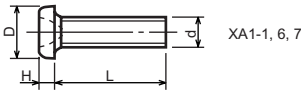
0-60 expresses a length of 6.0mm.
0-60は、6.0mmの長さを表す

9 expresses Steel (Black zinc trivalent chromate
treating) from Table 1.

9は、表1より鋼(黒色亜鉛3価クロメート)を表す

1-1. Cross Recessed Head Screws for Precision Equipments

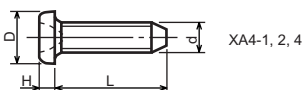
精密機器用十字穴付き小ねじ



Type No. 類別番号	Type 類別
XA1-1	Pan head Class 1 なべ1種
XA1-3	Countersunk head Class 1 さら1種
XA1-4	Oval countersunk head Class 1 丸さら1種
XA1-6	Pan head Class 3 なべ3種
XA1-7	Pan head Class 2 なべ2種

		Head size (mm) 頭部寸法 (mm)					
		M1.4	M1.6	M1.7	M2	M2.5	M2.6
D	XA1-1	2	2.4	2.5	3	3.8	4
H	XA1-1	0.5	0.55	0.5	0.6	0.9	0.8
D	XA1-3	2	2.4	2.5	3	3.8	4
H	XA1-3	0.48	0.55	0.58	0.73	0.85	0.93
D	XA1-4	2	2.4	2.5	3	3.8	4
H + K	XA1-4	0.68	0.8	0.88	1	1.25	1.3
D	XA1-6	2.5	2.8	3	3.5	4.3	4.5
H	XA1-6	0.8	0.85	0.9	1	1.3	1.2
D	XA1-7	2.5	2.8	3	3.5	4.3	4.5
H	XA1-7	0.5	0.55	0.5	0.6	0.9	0.8

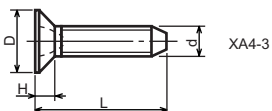
1-2. Precision Tapping Screws
精密用タッピンねじ



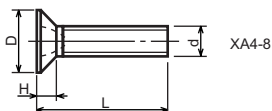
XA4-1, 2, 4



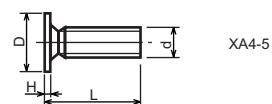
XA4-6, 7, 9



XA4-3



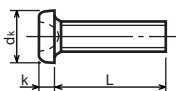
XA4-8



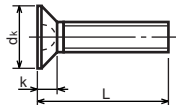
XA4-5

Type No. 類別番号	Type 類別	Head size (mm) 頭部寸法 (mm)						
		M1.4	M1.6	M1.7	M2	M2.5	M2.6	
XA4-1	With tapered end pan head Class 1 絞りなべ1種	D XA4-1	2	2.4	2.5	3	3.8	4
		H XA4-1	0.5	0.55	0.5	0.6	0.9	0.8
XA4-2	With tapered end pan head Class 3 絞りなべ3種	D XA4-2	2.5	2.8	3	3.5	4.3	4.5
		H XA4-2	0.8	0.85	0.9	1	1.3	1.2
XA4-3	With tapered end countersunk head 絞り-さら	D XA4-3	2	2.4	2.5	3	3.8	4
		H XA4-3	0.48	0.55	0.58	0.73	0.85	0.93
XA4-4	With tapered end pan head Class 2 絞りなべ2種	D XA4-4	2.5	2.8	3	3.5	4.3	4.5
		H XA4-4	0.5	0.55	0.5	0.6	0.9	0.8
XA4-5	With parallel end ultra thin head ストレート-超薄頭	D XA4-5	2.5	2.8	3	-	-	-
		H XA4-5	0.2	0.2	0.2	-	-	-
XA4-6	With parallel end pan head Class 1 ストレートなべ1種	D XA4-6	2	2.4	2.5	3	3.8	4
		H XA4-6	0.5	0.55	0.5	0.6	0.9	0.8
XA4-7	With parallel end pan head Class 3 ストレートなべ3種	D XA4-7	2.5	2.8	3	3.5	4.3	4.5
		H XA4-7	0.8	0.85	0.9	1	1.3	1.2
XA4-8	With parallel end countersunk head ストレート-さら	D XA4-8	2	2.4	2.5	3	3.8	4
		H XA4-8	0.48	0.55	0.58	0.73	0.85	0.93
XA4-9	With parallel end pan head Class 2 ストレートなべ2種	D XA4-9	2.5	2.8	3	3.5	4.3	4.5
		H XA4-9	0.5	0.55	0.5	0.6	0.9	0.8

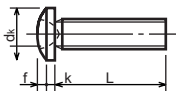
1-3. Cross Recessed Head Screws
 一般用十字穴付き小ねじ



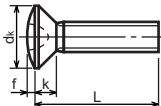
XB1-1



XB1-3



XB1-2

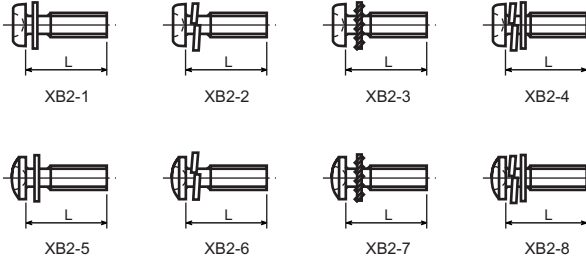


XB1-4

Type No. 類別番号	Type 類別
XB1-1	Pan head なべ
XB1-2	Binding head バインド
XB1-3	Countersunk head さら
XB1-4	Oval countersunk head 丸さら

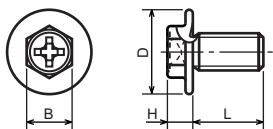
		Head size (mm) 頭部寸法 (mm)					
		M2	M2.5	M2.6	M3	M4	M5
dk	XB1-1	3.5	4.5	4.5	5.5	7	9
k	XB1-1	1.3	1.7	1.7	2	2.6	3.3
dk	XB1-2	4.3	5.3	5.5	6.3	8.3	10.3
k+f	XB1-2	1.2	1.5	1.6	1.9	2.5	3.1
dk	XB1-3	4	5	-	6	8	10
k	XB1-3	1.2	1.45	-	1.75	2.3	2.8
dk	XB1-4	4	5	-	6	8	10
k+f	XB1-4	1.6	2	-	2.45	3.2	4
Screw part length ねじ部長さ b		8	12	12	12	16	20

1-4. Cross Recessed Head Screws with Captive Washer
座金組込み十字穴付き小ねじ



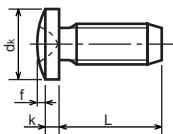
Type No. 類別番号	Type 類別
XB2-1	Pan head + Plain washer (circular bright) なべねじ+平座金
XB2-2	Pan head + Spring washer なべねじ+ばね座金
XB2-3	Pan head + Toothed lock washer なべねじ+歯付座金
XB2-4	Pan head + Spring washer and plain washer (circular bright) なべねじ+(ばね+平)座金
XB2-5	Binding head + Plain washer (circular bright) バインドねじ+平座金
XB2-6	Binding head + Spring washer バインドねじ+ばね座金
XB2-7	Binding head + Toothed lock washer バインドねじ+歯付座金
XB2-8	Binding head + Spring washer and plain washer (circular bright) バインドねじ+(ばね+平)座金

1-5. Hexagon Head Tapping Screws for Metallic Materials
 金属用六角タッピンねじ



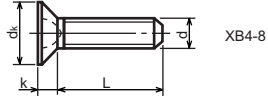
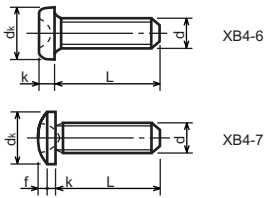
Type No. 類別番号	Type 類別	Head size (mm) 頭部寸法 (mm)	
		M3	M4
XB3-6	For metallic materials 金属用タッピン	D	8 10
		B	5.5 5.5
XB3-7	For metallic materials with clawed 金属用タッピン-つめ付き	H XB3-6	3.1 3.1
		H XB3-7	3.2 3.2

1-6. Special Tapping Screws
 特殊タッピンねじ



Type No. 類別番号	Type 類別	Head size (mm) 頭部寸法 (mm)	
		M3	M4
XB4-5	Binding head バインド	d _k	6.3 8.3
		k	1.3 1.7
		k+f	1.9 2.5

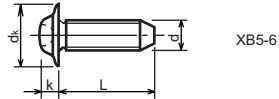
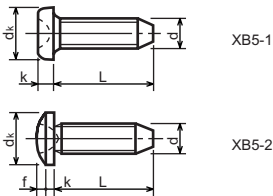
1-7. General Head Tapping Screws
一般用タッピンねじ



Type No. 類別番号	Type 類別
XB4-6	Pan head なべ
XB4-7	Binding head バインド
XB4-8	Countersunk head さら

		Head size (mm) 頭部寸法 (mm)					
		M2	M2.5	M2.6	M3	M4	M5
dk	XB4-6	3.5	4.5	4.5	5.5	7	9
k	XB4-6	1.3	1.7	1.7	2	2.6	3.3
dk	XB4-7	4.3	5.3	5.5	6.3	8.3	10.3
k+f	XB4-7	1.2	1.5	1.6	1.9	2.5	3.1
dk	XB4-8	4	5	5.2	6	8	10
k	XB4-8	1.2	1.45	1.5	1.75	2.3	2.8

1-8. Tapping Screws for Metallic Materials
金属用タッピンねじ

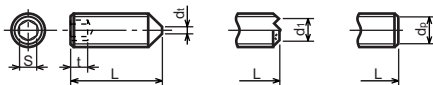


Type No. 類別番号	Type 類別
XB5-1	Pan head なべ
XB5-2	Binding head バインド
XB5-6	Flanged pan head つば付きなべ

		Head size (mm) 頭部寸法 (mm)				
		M2.5	M2.6	M3	M4	M5
dk	XB5-1	4.5	4.5	5.5	7	9
k	XB5-1	1.7	1.7	2	2.6	3.3
dk	XB5-2	5.5	5.5	6.3	8.3	10.3
k+f	XB5-2	1.6	1.6	1.9	2.5	3.1
dk	XB5-6	6.5	6.5	8	10	12
k	XB5-6	2.1	2.1	1.75	3.2	4

1-9. Hexagon Socket Set Screws

六角穴付止めねじ



XB6-1

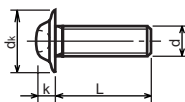
XB6-2

XB6-3

Type No. 類別番号	Type 類別	Head size (mm) 頭部寸法 (mm)							
		M1.6 M1.7	M2	M2.5 M2.6	M3	M5	M5	M6	
XB6-1	Cone point とがり先	S	0.7	0.9	1.3	1.5	2	2.5	3
		t	1.5	1.7	2	2	2.5	3	3.5
		$d_{t \max}$ XB6-1	0.4	0.5	0.65	0.75	1	1.25	1.5
		$d_{l \max}$ XB6-2	-	1.2	1.5	1.7	2.2	2.8	3.3
		$d_{l \min}$ XB6-2	-	1	1.2	1.4	1.9	2.4	2.9
XB6-3	Flat point 平先	$d_{p \max}$ XB6-3	0.8	1	1.5	2	2.5	3.5	4
		$d_{p \min}$ XB6-3	0.55	0.75	1.25	1.75	2.25	3.2	3.7

1-10. Flanged Pan Head Machine Screws

つば付きなべ小ねじ



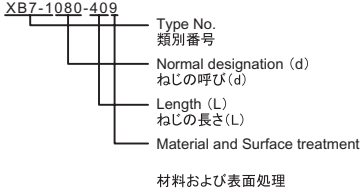
Type No. 類別番号	Type 類別	Head size (mm) 頭部寸法 (mm)					
		M2	M2.5 M2.6	M3	M5	M5	
XB6-7	Flanged pan head つば付きなべ	d_k	5	6.5	8	10	12
		k	1.7	2.1	2.5	3.2	4

FIGURE ZZC MECHANICAL STANDARD PARTS (BOLTS)

2. Bolts (Socket head cap screw) ボルト

How to read Parts Numbers
部品番号の見方

Bolt (Socket head cap screw)
ボルト



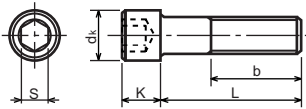
XB7-1 expresses Hexagon socket head cap screws.
XB7-1は、六角穴付きボルトを表す

080 expresses M8.0.
080は、M8.0を表す

40 expresses a length of 40mm.
40は、40mmの長さを表す

9 expresses Steel (Black zinc trivalent chromate treating) from Table 1.
9は、表1より鋼(黒色亜鉛3価クロメート)を表す

2-1. Hexagon socket head cap screws 六角穴付きボルト



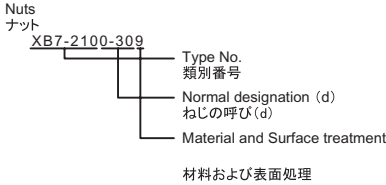
Type No. 類別番号	Type 類別
XB7-1	Hexagon socket head cap screws 六角穴付きボルト

	Head size (mm) 頭部寸法 (mm)						
	M3	M4	M5	M6	M8	M10	M12
S	2.5	3	4	5	6	8	10
d _k	5.5	7	8.5	10	13	16	18
K	3	4	5	6	8	10	12
Screw part length ねじ部長さ b _{max}	18	20	22	24	28	32	36

FIGURE ZZD MECHANICAL STANDARD PARTS (NUTS)

3. Nuts ナット

How to read Parts Numbers
部品番号の見方

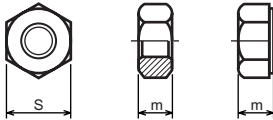


XB7-210 expresses Hexagon nut class 1.
XB7-210は、六角ナット1種を表す

0-30 expresses M3.0.
0-30は、M3.0を表す

9 expresses Steel (Black zinc trivalent chromate treating) from Table 1.
9は、表1より鋼(黒色亜鉛3価クロメート)を表す

3-1. Hexagon Nuts and Hexagon Thin Nuts 六角ナット



Type No. 類別番号	Type 類別
XB7-210	Hexagon nut Class 1 六角ナット-1種
XB7-220	Hexagon nut Class 3 六角ナット-3種
XB7-230	Hexagon nut Style 1 double chamfered 六角ナット-スタイル1-両面とり
XB7-231	Hexagon nut Style 1 washer faced 六角ナット-スタイル1-座付き
XB7-240	Hexagon nut Style 2 double chamfered 六角ナット-スタイル2-両面とり
XB7-241	Hexagon nut Style 2 washer faced 六角ナット-スタイル2-座付き
XB7-250	Hexagon nut 六角ナット
XB7-260	Hexagon thin nut double chamfered 六角低ナット-両面とり
XB7-270	Hexagon thin nut not chamfered 六角低ナット-面とり無し

	Head size (mm) 頭部寸法 (mm)						
	M2	M2.5	M3	M4	M5	M6	M8
S	4	5	5.5	7	8	10	13
m XB7-210	1.6	2	2.4	3.2	4	5	6.5
m XB7-220	1.2	1.6	1.8	2.4	3.2	3.6	5
m XB7-230, 231	1.6	2	2.4	3.2	4.7	5.2	6.8
m XB7-240, 241	-	-	-	-	5.1	5.7	7.5
m XB7-250	-	-	-	-	5.6	6.1	7.9
m XB7-260	1.2	1.6	1.8	2.2	2.7	3.2	4
m XB7-270	1.2	1.6	1.8	2.2	2.7	3.2	4

FIGURE ZZE MECHANICAL STANDARD PARTS (RETAINING RINGS)

5. Retaining Rings

止め輪

How to read Parts Numbers
部品番号の見方

Retaining Rings

止め輪

XD2-1100-202

Type No.
類別番号

Nominal designation
呼び

Material and Surface treatment
材料および表面処理

XD2-110 expresses retaining ring-E type (Type1).
XD2-110は、E形止め輪(1種)を表す

0-20 expresses a 020 of nominal designation.
(See Table 5)

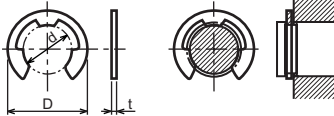
0-20は、呼び020を表す(表5参照)

2 expresses Stainless steel (Surface treatment is not to be given) from Table 1.

2は、表1よりステンレス(表面処理なし)を表す

5-1. Retaining Rings - E type

E形止め輪

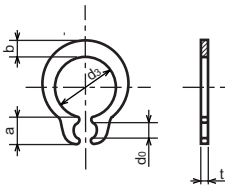


Type No. 類別番号	Type 類別
XD2-110	Retaining ring - E type (Type 1) E形止め輪(1種)
XD2-120	Retaining ring - E type (Type 2) E形止め輪(2種)

Table 5 表5

Type 種類	Nominal designation 呼び	d (mm)	D (mm)	t (mm)
Type 1 1種	007	0.65	2	0.2
	010	0.95	2.8	0.2
	013	1.25	3.3	0.3
	017	1.65	4.2	0.4
	020	1.95	4.6	0.5
	024	2.35	6	0.6
	028	2.74	6.5	0.6
	032	3.14	7.2	0.6
	037	3.64	8	0.7
	040	3.93	10	0.7
	042	4.13	10	0.7
	050	4.93	11	0.7
	058	5.73	12	0.7
	060	5.93	12.7	0.9
	064	6.32	13.5	0.9
	074	7.31	15	0.9
080	7.91	16.5	1	
Type 2 2種	008	0.8	2	0.2
	012	1.2	3	0.3
	015	1.5	4	0.4
	020	2	5	0.4
	025	2.5	6	0.4
	030	3	7	0.6
	040	4	9	0.6
	050	5	11	0.6
	060	6	12	0.8
	070	7	14	0.8
	080	8	16	0.8
	090	9	18	0.8
	100	10	20	1

5-2. Grip Rings
グリップ止め輪

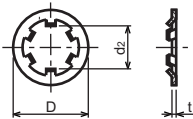


Type No. 類別番号	Type 類別
XD2-210	Grip ring グリップ止め輪

Table 5 表5

Nominal designation 呼び	d ₃ (mm)	t (mm)	b (mm)	a (mm)	d ₀ (mm)
020	1.9	0.5	1	1.8	0.8
025	2.35	0.5	1.2	1.9	0.9
030	2.85	0.6	1.4	1.9	0.9
035	3.3	0.6	1.6	2	0.9
040	3.8	0.8	1.8	2.8	1.2
045	4.25	0.8	2	2.9	1.3
050	4.75	0.8	2.2	2.9	1.3
060	5.7	1	2.4	3.1	1.4
070	6.7	1	2.7	3.3	1.4
080	7.7	1	3	3.5	1.4
090	8.65	1.2	3.3	4.7	1.5
100	9.65	1.2	3.5	4.7	2

5-3. Toothed Retaining Rings
歯付き形止め輪



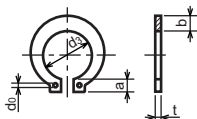
Type No. 類別番号	Type 類別
XD2-230	Toothed retaining ring 歯付き形止め輪

Table 5 表5

Nominal designation 呼び	d _z (mm)	D (mm)	t (mm)	No of teeth 歯数
015	1.4	5.2	0.25	3
020	1.9	6	0.25	3
024	2.3	6.4	0.25	3
030	2.8	8	0.25	4
040	3.8	9	0.25	4
050	4.8	10	0.25	5
060	5.8	11	0.25	5
080	7.8	13	0.25	5
100	9.8	15.4	0.25	6

5-4. Retaining Rings - C Type

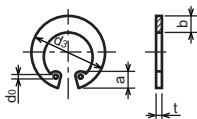
C形止め輪



Type No. 類別番号	Type 類別
XD2-310	Retaining ring - C type for shaft C形止め輪 軸用

Table 5 表5

Nominal designation 呼び	d ₃ (mm)	t (mm)	b (mm)	a (mm)	d ₀ (mm)
010	9.3	1	1.6	3	1.2
012	11.1	1	1.8	3.2	1.5
014	12.9	1	2	3.4	1.7
015	13.8	1	2.1	3.5	1.7
016	14.7	1	2.2	3.6	1.7
017	15.7	1	2.2	3.7	1.7
018	16.5	1.2	2.6	3.8	1.7
020	18.5	1.2	2.7	3.9	2
022	20.5	1.2	2.7	4.1	2
025	23.2	1.2	3.1	4.3	2
028	25.9	1.5	3.1	4.6	2
030	27.9	1.5	3.5	4.8	2
032	29.6	1.5	3.5	5	2.5
035	32.2	1.5	4	5.4	2.5



Type No. 類別番号	Type 類別
XD2-320	Retaining ring - C type for hole C形止め輪 穴用

Table 5 表5

Nominal designation 呼び	d ₃ (mm)	t (mm)	b (mm)	a (mm)	d ₀ (mm)
010	10.7	1	1.8	3.1	1.2
011	11.8	1	1.8	3.2	1.2
012	13	1	1.8	3.3	1.5
014	15.1	1	2	3.6	1.7
016	17.3	1	2	3.7	1.7
018	19.5	1	2.5	4	1.7
019	20.5	1	2.5	4	2
020	21.5	1	2.5	4	2
022	23.5	1	2.5	4.1	2
025	26.9	1.2	3	4.4	2
028	30.1	1.2	3	4.6	2
030	32.1	1.2	3	4.7	2
032	34.4	1.2	3.5	5.2	2.5
035	37.8	1.5	3.5	5.2	2.5
037	39.8	1.5	3.5	5.2	2.5
040	43.5	1.8	4	5.7	2.5
042	45.5	1.8	4	5.8	2.5
045	48.5	1.8	4.5	5.9	2.5
047	50.5	1.8	4.5	6.1	2.5
050	54.2	2	4.5	6.5	2.5
052	56.2	2	5.1	6.5	2.5
055	59.2	2	5.1	6.5	2.5
060	64.2	2	5.1	6.8	2.5
062	66.2	2	5.5	6.9	2.5
068	72.5	2.5	6	7.4	2.5
072	76.5	2.5	6.6	7.4	2.5
075	79.5	2.5	6.6	7.8	2.5
080	85.5	2.5	7	8	2.5
085	90.5	3	7	8	3
090	95.5	3	7.6	8.3	3
095	100.5	3	8	8.5	3

Prepared by
OIP Business Support Group
CANON INC.

Canon