

# **PARTS CATALOG**

**iR2270/2270F/2870/2870F/  
3570/3570F/4570/4570F**

**Canon**

**Sep 13 2004**



## **PREFACE**

This Parts Catalog contains listings of parts used

Diagrams are provided with the listings to aid the service technician in identifying clearly, the item to be ordered.

Whenever ordering parts, consult this Parts Catalog for all of the information pertaining to each item. Be sure to include, in the Parts Request, the full item description, the item part number, and the quantity.

***COPYRIGHT (C) 1999 CANON INC.***

Use of this manual should be strictly supervised to avoid disclosure of confidential information.



# Contents

## Parts List Index

iR2270/2270F/2870/2870F/3570/3570F/4570/4570F ..... 1-1

## iR2270/2270F/2870/2870F/3570/3570F/4570/4570F

A	ASSEMBLY LOCATION DIAGRAM .....	2-1
001	ACCESSORIES .....	2-7
100	EXTERNAL COVERS, PANELS, ETC. ....	2-9
101	MACHINE FRONT PLATE .....	2-13
102	INTERNAL COMPONENTS 1 .....	2-15
103	INTERNAL COMPONENTS 2 .....	2-19
104	INTERNAL COMPONENTS 3 .....	2-21
105	MACHINE REAR PLATE 1 .....	2-23
106	MACHINE REAR PLATE 2 .....	2-25
107	MACHINE REAR PLATE 3 .....	2-27
110	POWER CORD TERMINAL ASSEMBLY .....	2-29
130	CONTROL PANEL ASSEMBLY .....	2-31
140	RIGHT DOOR ASSEMBLY .....	2-33
141	PAPER FEEDER FRAME ASSEMBLY .....	2-37
145	RIGHT LOWER DOOR ASSEMBLY .....	2-39
160	DADF MOUNTING HARDWARE .....	2-41
161	DADF ASSEMBLY .....	2-43
162	DOCUMENT TRAY ASSEMBLY .....	2-50
163	OPEN/CLOSE PANEL ASSEMBLY .....	2-53
164	PAPER FEEDER ASSEMBLY .....	2-57
210	READER ASSEMBLY .....	2-66
250	MAIN DRIVE ASSEMBLY .....	2-71
251	MAIN DRIVE ASSEMBLY .....	2-73
261	FIXING PAPER DELIVERY DRIVE ASS'Y .....	2-75
281	FIXING DELIVERY DRIVE ASSEMBLY .....	2-77
300	CASSETTE(MIDDLE) .....	2-79
301	CASSETTE (LARGE) .....	2-82
310	PAPER PICK-UP ASSEMBLY (MIDDLE) .....	2-85
311	PAPER PICK-UP ASSEMBLY (LARGE) .....	2-89
315	MULTI FEED TRAY ASSEMBLY .....	2-93
350	PAPER DELIVERY ASSEMBLY .....	2-95
351	2ND 3RD DELIVERY ASSEMBLY .....	2-97
352	2ND UPPER DELIVERY ASSEMBLY .....	2-99
353	2ND DELIVERY FRAME ASSEMBLY .....	2-102
354	3RD DELIVERY FRAME ASSEMBLY .....	2-106
460	LASER SCANNER ASSEMBLY .....	2-111
500	DRUM CARTRIDGE ASSEMBLY .....	2-112

# Contents

621	HOPPER ASSEMBLY .....	2-113
640	DEVELOPING ASSEMBLY .....	2-116
810	FIXING ASSEMBLY .....	2-118
900	CONTROLLER BOX ASSEMBLY .....	2-122
910	MAIN POWER SUPPLY PCB ASSEMBLY .....	2-124
930	DC CONTROLLER PCB ASSEMBLY .....	2-125
931	READER CONTROLLER PCB ASSEMBLY .....	2-126
990	FAX ASSEMBLY .....	2-127
991	SPEAKER ASSEMBLY .....	2-129
992	FAX BOARD PCB ASSEMBLY .....	2-131
994	DELIVERY CONTROLLER PCB ASS'Y .....	2-133

# NUMERICAL INDEX

iR2270/2270F/2870/2870F/3570/3570F/4570/4570F

PARTS NUMBER	FIGURE & KEY NO.	PARTS NUMBER	FIGURE & KEY NO.	PARTS NUMBER	FIGURE & KEY NO.
FA3-8727-000	621 - 8	FB5-9803-000	353 - 3	FB6-3410-000	310 - 21
FA4-1159-000	140 - 22	FB5-9803-000	354 - 28	FB6-3410-000	311 - 21
FA9-2112-000	250 - 6	FB6-1321-000	210 - 1	FB6-3411-000	310 - 22
FA9-2112-000	251 - 6	FB6-1339-000	210 - 47	FB6-3411-000	311 - 22
FA9-2112-000	261 - 1	FB6-2703-040	161 - 38	FB6-3413-000	310 - 23
FA9-2112-000	621 - 28	FB6-2705-000	164 - 22	FB6-3413-000	311 - 23
FA9-3988-000	100 - 1	FB6-3313-000	104 - 2	FB6-3478-000	300 - 1
FBI-6715-000	640 - 1	FB6-3313-000	145 - 1	FB6-3478-000	301 - 1
FBI-8581-000	140 - 23	FB6-3380-000	310 - 1	FB6-3479-000	300 - 2
FB3-2224-000	100 - 23	FB6-3380-000	311 - 1	FB6-3479-000	301 - 2
FB3-2411-000	210 - 37	FB6-3386-000	310 - 2	FB6-3480-000	300 - 3
FB3-3192-020	102 - 1	FB6-3386-000	311 - 2	FB6-3480-000	301 - 3
FB4-2930-000	140 - 40	FB6-3388-000	310 - 3	FB6-3481-000	300 - 4
FB4-2930-000	810 - 29	FB6-3388-000	311 - 3	FB6-3481-000	301 - 4
FB5-4754-000	352 - 7	FB6-3389-000	310 - 4	FB6-3482-000	300 - 5
FB5-4754-000	353 - 1	FB6-3389-000	311 - 4	FB6-3482-000	301 - 5
FB5-4773-000	140 - 41	FB6-3390-000	310 - 5	FB6-3483-000	300 - 6
FB5-4773-000	810 - 30	FB6-3390-000	311 - 5	FB6-3483-000	301 - 6
FB5-4858-000	350 - 7	FB6-3391-000	310 - 6	FB6-3484-000	300 - 7
FB5-4930-000	810 - 39	FB6-3391-000	311 - 6	FB6-3484-000	301 - 7
FB5-4931-000	810 - 1	FB6-3392-000	310 - 7	FB6-3486-000	300 - 8
FB5-5039-000	250 - 12	FB6-3392-000	311 - 7	FB6-3486-000	301 - 8
FB5-5039-000	251 - 11	FB6-3393-000	310 - 8	FB6-3490-000	300 - 9
FB5-5130-000	991 - 4	FB6-3393-000	311 - 8	FB6-3490-000	301 - 9
FB5-5150-000	350 - 15	FB6-3394-000	310 - 9	FB6-3499-000	300 - 30
FB5-5279-000	500 - 2	FB6-3394-000	311 - 9	FB6-3499-000	301 - 12
FB5-9325-000	354 - 1	FB6-3395-000	310 - 10	FB6-3506-000	300 - 10
FB5-9401-000	161 - 23	FB6-3395-000	311 - 10	FB6-3506-000	301 - 10
FB5-9410-000	161 - 1	FB6-3396-010	310 - 11	FB6-3507-000	102 - 2
FB5-9414-000	162 - 14	FB6-3396-010	311 - 11	FB6-3524-000	301 - 30
FB5-9417-000	162 - 16	FB6-3397-000	310 - 12	FB6-4852-000	310 - 24
FB5-9427-000	162 - 21	FB6-3397-000	311 - 12	FB6-4852-000	311 - 24
FB5-9434-000	163 - 1	FB6-3399-000	310 - 14	FB6-5796-000	353 - 4
FB5-9438-000	163 - 4	FB6-3399-000	311 - 14	FB6-5796-000	354 - 29
FB5-9440-000	163 - 6	FB6-3402-000	310 - 15	FC5-0166-000	100 - 32
FB5-9460-009	164 - 28	FB6-3402-000	311 - 15	FC5-0166-000	210 - 7
FB5-9466-000	164 - 10	FB6-3403-000	310 - 16	FC5-0191-000	104 - 6
FB5-9467-000	164 - 11	FB6-3403-000	311 - 16	FC5-0195-000	104 - 7
FB5-9468-000	164 - 12	FB6-3404-000	310 - 17	FC5-0477-000	315 - 3
FB5-9469-000	164 - 13	FB6-3404-000	311 - 17	FC5-0478-000	315 - 4
FB5-9471-009	164 - 15	FB6-3405-000	310 - 18	FC5-0479-000	315 - 5
FB5-9477-000	164 - 20	FB6-3405-000	311 - 18	FC5-0480-000	315 - 6
FB5-9504-000	160 - 5	FB6-3408-000	310 - 20	FC5-0481-000	315 - 7
FB5-9505-000	160 - 6	FB6-3408-000	311 - 20	FC5-0484-000	102 - 37

# NUMERICAL INDEX

iR2270/2270F/2870/2870F/3570/3570F/4570/4570F

PARTS NUMBER	FIGURE & KEY NO.	PARTS NUMBER	FIGURE & KEY NO.	PARTS NUMBER	FIGURE & KEY NO.
FC5-0488-000	140 - 24	FC5-0624-000	301 - 15	FC5-0953-000	100 - 3
FC5-0489-000	140 - 25	FC5-0635-000	300 - 16	FC5-0954-000	100 - 37
FC5-0490-000	140 - 26	FC5-0636-000	300 - 17	FC5-0956-000	100 - 4
FC5-0496-000	140 - 38	FC5-0637-000	301 - 17	FC5-0957-000	100 - 18
FC5-0497-000	315 - 8	FC5-0641-000	102 - 3	FC5-0958-000	102 - 49
FC5-0520-000	315 - 2	FC5-0652-000	140 - 6	FC5-0959-000	103 - 1
FC5-0521-000	140 - 2	FC5-0653-000	140 - 7	FC5-0972-000	140 - 16
FC5-0522-000	140 - 3	FC5-0655-000	810 - 26	FC5-0974-000	353 - 5
FC5-0524-000	140 - 4	FC5-0657-000	140 - 42	FC5-0976-000	354 - 14
FC5-0525-000	140 - 5	FC5-0658-000	140 - 43	FC5-0977-000	354 - 10
FC5-0526-000	315 - 9	FC5-0659-000	140 - 8	FC5-0978-000	351 - 3
FC5-0527-000	315 - 10	FC5-0673-000	101 - 7	FC5-0985-000	352 - 20
FC5-0529-000	140 - 30	FC5-0674-000	140 - 10	FC5-0987-000	352 - 1
FC5-0530-000	315 - 17	FC5-0676-000	140 - 11	FC5-0988-000	352 - 2
FC5-0539-000	102 - 38	FC5-0677-000	140 - 12	FC5-0989-000	352 - 3
FC5-0540-000	102 - 39	FC5-0682-000	140 - 13	FC5-0991-000	352 - 21
FC5-0541-000	315 - 11	FC5-0685-000	140 - 14	FC5-0992-000	351 - 4
FC5-0542-000	140 - 32	FC5-0686-000	101 - 8	FC5-0996-000	353 - 6
FC5-0543-000	140 - 31	FC5-0687-000	101 - 9	FC5-0997-000	353 - 7
FC5-0544-000	315 - 18	FC5-0688-000	101 - 10	FC5-0998-000	353 - 18
FC5-0546-000	315 - 15	FC5-0689-000	101 - 11	FC5-1003-000	354 - 15
FC5-0547-000	102 - 40	FC5-0690-000	140 - 15	FC5-1005-000	354 - 16
FC5-0548-000	141 - 1	FC5-0691-000	140 - 44	FC5-1006-000	354 - 17
FC5-0549-000	141 - 13	FC5-0697-000	810 - 32	FC5-1009-000	354 - 11
FC5-0567-000	102 - 17	FC5-0703-000	140 - 46	FC5-1010-000	354 - 30
FC5-0568-000	102 - 18	FC5-0792-000	210 - 5	FC5-1011-000	354 - 31
FC5-0576-000	100 - 2	FC5-0798-000	350 - 2	FC5-1012-000	354 - 3
FC5-0583-000	300 - 11	FC5-0799-000	350 - 3	FC5-1013-000	352 - 22
FC5-0583-000	301 - 11	FC5-0800-000	350 - 4	FC5-1013-000	354 - 18
FC5-0584-000	301 - 13	FC5-0803-000	100 - 35	FC5-1014-000	354 - 19
FC5-0585-000	300 - 12	FC5-0805-000	353 - 17	FC5-1017-000	353 - 8
FC5-0588-000	145 - 2	FC5-0806-000	350 - 6	FC5-1019-000	351 - 5
FC5-0590-000	145 - 4	FC5-0807-000	100 - 36	FC5-1020-000	354 - 4
FC5-0591-000	300 - 13	FC5-0812-000	100 - 17	FC5-1023-000	354 - 5
FC5-0592-000	145 - 5	FC5-0859-000	351 - 1	FC5-1024-000	354 - 35
FC5-0593-000	145 - 6	FC5-0860-000	100 - 43	FC5-1025-000	352 - 4
FC5-0594-000	145 - 7	FC5-0862-000	354 - 9	FC5-1038-000	352 - 5
FC5-0595-000	310 - 25	FC5-0870-000	352 - 8	FC5-1053-000	353 - 9
FC5-0595-000	311 - 25	FC5-0871-000	353 - 19	FC5-1054-000	354 - 36
FC5-0596-000	104 - 3	FC5-0872-000	354 - 2	FC5-1056-000	130 - 3
FC5-0598-000	300 - 14	FC5-0873-000	353 - 20	FC5-1057-000	130 - 13
FC5-0598-000	301 - 14	FC5-0888-000	351 - 2	FC5-1059-000	130 - 14
FC5-0605-000	301 - 16	FC5-0889-000	100 - 20	FC5-1061-000	130 - 16
FC5-0622-000	300 - 15	FC5-0942-000	100 - 21	FC5-1064-000	130 - 17



# NUMERICAL INDEX

iR2270/2270F/2870/2870F/3570/3570F/4570/4570F

PARTS NUMBER	FIGURE & KEY NO.	PARTS NUMBER	FIGURE & KEY NO.	PARTS NUMBER	FIGURE & KEY NO.
FC5-1065-000	130 - 18	FC5-1251-000	640 - 21	FC5-1446-000	210 - 13
FC5-1066-000	130 - 19	FC5-1262-000	102 - 30	FC5-1447-000	210 - 14
FC5-1067-000	130 - 1	FC5-1265-000	621 - 12	FC5-1473-000	210 - 15
FC5-1093-000	100 - 33	FC5-1268-000	621 - 33	FC5-1492-000	210 - 28
FC5-1094-000	100 - 28	FC5-1269-000	621 - 30	FC5-1499-000	210 - 16
FC5-1100-000	100 - 24	FC5-1274-000	621 - 13	FC5-1506-000	130 - 15
FC5-1101-000	100 - 5	FC5-1277-000	100 - 12	FC5-1516-000	106 - 4
FC5-1103-000	100 - 6	FC5-1278-000	100 - 13	FC5-1517-000	106 - 5
FC5-1104-000	100 - 7	FC5-1280-000	100 - 22	FC5-1518-000	106 - 6
FC5-1106-000	100 - 8	FC5-1282-000	100 - 14	FC5-1527-000	141 - 16
FC5-1108-000	100 - 9	FC5-1307-000	101 - 5	FC5-1535-000	101 - 17
FC5-1109-000	100 - 10	FC5-1341-000	810 - 3	FC5-1535-000	104 - 8
FC5-1111-000	100 - 29	FC5-1343-000	810 - 54	FC5-1536-000	141 - 8
FC5-1113-000	101 - 1	FC5-1345-000	810 - 57	FC5-1539-000	102 - 23
FC5-1114-000	100 - 19	FC5-1346-000	810 - 50	FC5-1540-000	102 - 24
FC5-1115-000	100 - 25	FC5-1348-000	810 - 51	FC5-1541-000	102 - 25
FC5-1117-000	100 - 11	FC5-1351-000	810 - 4	FC5-1545-000	102 - 26
FC5-1118-000	101 - 20	FC5-1353-000	810 - 52	FC5-1546-000	140 - 60
FC5-1120-000	141 - 2	FC5-1354-000	140 - 17	FC5-1552-000	141 - 14
FC5-1124-000	141 - 4	FC5-1356-000	810 - 21	FC5-1558-000	141 - 9
FC5-1125-000	141 - 5	FC5-1358-000	810 - 6	FC5-1559-000	141 - 10
FC5-1126-000	141 - 6	FC5-1360-000	810 - 7	FC5-1560-000	141 - 17
FC5-1127-000	141 - 7	FC5-1367-000	810 - 8	FC5-1562-000	102 - 34
FC5-1130-000	104 - 1	FC5-1368-000	810 - 9	FC5-1564-000	102 - 41
FC5-1131-000	810 - 2	FC5-1382-000	810 - 53	FC5-2804-000	164 - 21
FC5-1146-000	102 - 52	FC5-1383-000	810 - 10	FC5-4264-000	161 - 8
FC5-1152-000	100 - 30	FC5-1384-000	810 - 11	FC5-4273-000	161 - 33
FC5-1168-000	110 - 1	FC5-1400-000	130 - 21	FC5-4274-000	161 - 29
FC5-1201-000	621 - 29	FC5-1407-000	103 - 2	FC5-4278-000	161 - 34
FC5-1205-000	621 - 24	FC5-1413-000	101 - 2	FC5-4279-000	161 - 4
FC5-1206-000	621 - 25	FC5-1420-000	102 - 15	FC5-4280-000	161 - 18
FC5-1208-000	621 - 1	FC5-1422-020	300 - 18	FC5-4281-000	161 - 19
FC5-1209-000	621 - 2	FC5-1422-020	301 - 18	FC5-4285-000	161 - 24
FC5-1210-000	621 - 10	FC5-1423-000	300 - 19	FC5-4286-000	161 - 21
FC5-1211-000	621 - 11	FC5-1423-000	301 - 19	FC5-4287-000	161 - 22
FC5-1214-000	621 - 9	FC5-1424-020	300 - 20	FC5-4289-000	161 - 39
FC5-1215-000	621 - 31	FC5-1424-020	301 - 20	FC5-4291-000	161 - 25
FC5-1217-000	621 - 32	FC5-1425-000	300 - 21	FC5-4292-000	161 - 28
FC5-1218-000	621 - 34	FC5-1425-000	301 - 21	FC5-4293-000	161 - 26
FC5-1221-000	621 - 3	FC5-1426-000	210 - 8	FC5-4295-000	161 - 20
FC5-1239-000	640 - 2	FC5-1427-000	210 - 9	FC5-4302-000	162 - 15
FC5-1243-000	102 - 29	FC5-1439-000	210 - 10	FC5-4305-000	162 - 2
FC5-1246-000	640 - 3	FC5-1442-000	210 - 52	FC5-4306-000	162 - 3
FC5-1249-000	640 - 4	FC5-1443-000	210 - 53	FC5-4307-000	162 - 4

# NUMERICAL INDEX

iR2270/2270F/2870/2870F/3570/3570F/4570/4570F

PARTS NUMBER	FIGURE & KEY NO.	PARTS NUMBER	FIGURE & KEY NO.	PARTS NUMBER	FIGURE & KEY NO.
FC5-4308-000	162 - 6	FC5-5089-000	900 - 10	FC6-2797-000	164 - 34
FC5-4309-000	162 - 20	FC5-5457-000	130 - 21	FC6-2798-000	164 - 37
FC5-4323-000	163 - 2	FC5-5472-000	991 - 1	FC6-2899-000	621 - 39
FC5-4324-000	163 - 3	FC5-5473-000	991 - 2	FC6-2900-000	621 - 37
FC5-4326-000	163 - 5	FC5-5474-000	353 - 10	FC6-2902-000	140 - 18
FC5-4327-000	163 - 7	FC5-6003-000	352 - 24	FC6-2903-000	130 - 21
FC5-4329-000	163 - 8	FC5-6003-000	354 - 12	FC6-2904-000	106 - 2
FC5-4336-000	163 - 9	FC5-6004-000	352 - 27	FC6-2909-000	640 - 5
FC5-4338-000	163 - 26	FC5-6006-000	354 - 6	FC6-2911-000	141 - 3
FC5-4341-000	163 - 24	FC5-6008-000	354 - 20	FC6-2915-000	350 - 13
FC5-4353-000	164 - 23	FC5-6010-000	352 - 9	FC6-2915-000	353 - 2
FC5-4354-000	164 - 8	FC5-6011-000	351 - 6	FC6-2915-000	354 - 27
FC5-4356-000	164 - 24	FC5-6012-000	354 - 32	FC6-2918-000	101 - 18
FC5-4358-000	164 - 17	FC5-6014-000	353 - 21	FC6-2920-000	810 - 13
FC5-4359-000	164 - 18	FC5-6019-000	354 - 21	FC6-2924-000	810 - 14
FC5-4362-000	164 - 32	FC5-6540-000	100 - 15	FC6-2925-000	810 - 15
FC5-4363-000	164 - 25	FC5-6578-000	102 - 47	FC6-2927-000	810 - 16
FC5-4365-000	164 - 65	FC5-6934-000	310 - 19	FC6-2928-000	810 - 45
FC5-4367-000	164 - 59	FC5-6934-000	311 - 19	FC6-2929-000	810 - 17
FC5-4368-000	164 - 48	FC5-7156-000	810 - 33	FC6-2937-000	640 - 6
FC5-4372-000	164 - 64	FC5-7160-000	810 - 12	FC6-2941-000	810 - 22
FC5-4373-000	164 - 61	FC5-7182-000	810 - 56	FC6-2942-000	810 - 5
FC5-4374-000	164 - 62	FC5-7206-000	621 - 37	FC6-2943-000	810 - 23
FC5-4376-000	164 - 26	FC5-7208-000	261 - 4	FC6-4624-000	103 - 9
FC5-4381-000	164 - 27	FC5-7210-000	100 - 38	FC6-4627-000	810 - 49
FC5-4382-000	164 - 33	FC5-7211-000	100 - 38	FC6-4815-000	140 - 9
FC5-4391-000	161 - 43	FC5-7212-000	100 - 38	FC6-4820-000	103 - 8
FC5-4396-000	161 - 44	FC5-7213-000	100 - 38	FC6-4824-000	101 - 21
FC5-4399-000	161 - 27	FC5-7214-000	100 - 38	FC6-4832-000	100 - 38
FC5-4400-000	161 - 3	FC5-7215-000	100 - 38	FC6-4833-000	100 - 38
FC5-4402-000	161 - 41	FC5-7216-000	300 - 31	FC6-4834-000	100 - 38
FC5-4406-000	162 - 19	FC5-7216-000	301 - 31	FC6-4837-000	100 - 38
FC5-4408-000	161 - 42	FC5-7217-000	315 - 19	FC6-4838-000	100 - 38
FC5-4410-000	160 - 7	FC5-7228-000	810 - 50	FC6-4839-000	100 - 38
FC5-4421-000	162 - 7	FC5-7413-000	145 - 12	FC6-5067-000	100 - 41
FC5-4422-000	162 - 8	FC6-2759-000	210 - 2	FC6-5075-000	100 - 40
FC5-4424-000	163 - 10	FC6-2763-000	210 - 35	FC6-5076-000	100 - 40
FC5-4424-000	164 - 73	FC6-2764-000	210 - 38	FC6-5085-000	810 - 20
FC5-4425-000	163 - 11	FC6-2765-000	210 - 3	FC6-5087-000	621 - 36
FC5-4425-000	164 - 74	FC6-2778-000	161 - 10	FC6-7207-000	810 - 5
FC5-4427-000	160 - 1	FC6-2781-000	164 - 5	FF3-4303-000	164 - 39
FC5-4427-000	210 - 51	FC6-2784-000	163 - 25	FF3-4306-000	161 - 11
FC5-4428-000	161 - 17	FC6-2785-000	164 - 1	FF3-4526-000	110 - 6
FC5-4458-000	130 - 2	FC6-2791-000	164 - 6	FF3-4527-000	110 - 7

# NUMERICAL INDEX

iR2270/2270F/2870/2870F/3570/3570F/4570/4570F

PARTS NUMBER	FIGURE & KEY NO.	PARTS NUMBER	FIGURE & KEY NO.	PARTS NUMBER	FIGURE & KEY NO
FF3-4529-000	103 - 5	FG6-8939-000	130 - 12	FK2-0149-000	353 - 12
FF3-4607-000	161 - 14	FH2-6552-000	100 - 16	FK2-0149-000	354 - 22
FF3-4608-000	161 - 2	FH2-7037-000	130 - 4	FK2-0149-000	621 - 4
FF3-4609-000	162 - 9	FH2-7061-000	104 - 16	FK2-0149-000	810 - 18
FF6-0345-000	350 - 5	FH2-7072-000	992 - 2	FK2-0160-000	101 - 6
FF6-2058-000	310 - 26	FH2-7174-000	210 - 17	FK2-0216-000	161 - 32
FF6-2058-000	311 - 26	FH4-1429-000	931 - IC522	FK2-0246-000	130 - 5
FF6-2059-000	310 - 27	FH4-6145-000	900 - IC1005	FK2-0338-000	105 - 2
FF6-2059-000	311 - 27	FH4-6204-000	930 - IC2	FK2-0339-000	105 - 2
FF6-2064-000	300 - 22	FH4-6204-000	994 - IC10	FK2-0340-000	105 - 1
FF6-2064-000	301 - 22	FH4-6218-000	900 - IC1006	FK2-0341-000	105 - 1
FF6-2363-000	310 - 13	FH4-6300-000	900 - IC1003	FK2-0358-000	621 - 14
FF6-2363-000	311 - 13	FH4-6300-000	930 - IC8	FK2-0358-000	640 - 7
FG3-2302-000	310 - 28	FH4-6302-000	900 - IC1009	FK2-0360-000	140 - 20
FG3-2302-000	311 - 28	FH4-6313-000	931 - IC520	FK2-0361-000	102 - 7
FG3-2826-000	992 - 1	FH5-1021-000	352 - 10	FK2-0362-000	251 - 2
FG3-2834-000	130 - 7	FH5-1028-000	210 - 48	FK2-0365-000	281 - 2
FG3-2835-000	130 - 8	FH5-1108-000	352 - 11	FK2-0367-000	106 - 1
FG3-2836-000	130 - 9	FH5-1128-000	164 - 71	FK2-0368-000	103 - 6
FG3-3125-000	161 - 16	FH5-1129-000	164 - 70	FK2-0379-000	621 - 5
FG3-3152-000	210 - 26	FH5-3550-000	991 - 3	FK2-0384-000	102 - 27
FG3-3153-000	210 - 29	FH6-5005-000	250 - 7	FK2-0385-000	250 - 2
FG3-3153-000	210 - 44	FH6-5055-000	310 - 29	FK2-0404-000	250 - 8
FG3-3158-000	210 - 45	FH6-5055-000	311 - 29	FK2-0404-000	251 - 7
FG3-3178-000	105 - 3	FH6-5075-000	102 - 7	FK2-0405-000	900 - 9
FG3-3187-000	315 - 1	FH6-5076-000	250 - 1	FK2-0407-000	900 - 8
FG3-3188-000	140 - 27	FH6-5076-000	251 - 1	FK2-0643-000	001 - 2
FG3-3189-000	140 - 19	FH6-5128-000	164 - 7	FK2-0646-000	001 - 3
FG3-3294-000	351 - 7	FH7-7312-000	310 - 30	FK2-0695-000	001 - 4
FG3-3295-000	354 - 7	FH7-7312-000	311 - 30	FK2-0696-000	001 - 5
FG3-3297-000	351 - 8	FH7-7569-000	210 - 20	FK2-0920-000	001 - 1
FG3-3299-000	353 - 11	FH7-7625-000	110 - 3	FK2-0921-000	001 - 2
FG3-3301-000	351 - 9	FH7-7626-000	110 - 3	FK2-0923-000	001 - 3
FG3-3303-000	164 - 40	FH7-9334-000	210 - 31	FK2-0930-000	001 - 5
FG3-3757-000	162 - 18	FK2-0015-000	106 - 12	FL2-0101-000	140 - 29
FG3-3758-000	162 - 5	FK2-0140-000	110 - 4	FL2-0106-000	140 - 1
FG3-3765-000	931 -	FK2-0146-000	110 - 9	FL2-0116-000	102 - 21
FG3-3766-000	210 - 46	FK2-0148-000	110 - 8	FL2-0126-000	145 - 3
FG3-3767-000	210 - 39	FK2-0149-000	101 - 16	FL2-0127-000	210 - 21
FG3-3768-000	210 - 34	FK2-0149-000	102 - 44	FL2-0128-000	210 - 22
FG3-3793-000	210 - 39	FK2-0149-000	140 - 28	FL2-0143-000	140 - 45
FG3-3794-000	210 - 39	FK2-0149-000	281 - 1	FL2-0178-000	350 - 8
FG3-3795-000	210 - 34	FK2-0149-000	351 - 10	FL2-0203-000	101 - 19
FG3-3965-000	130 - 11	FK2-0149-000	352 - 6	FL2-0203-000	106 - 14

# NUMERICAL INDEX

iR2270/2270F/2870/2870F/3570/3570F/4570/4570F

PARTS NUMBER	FIGURE & KEY NO.	PARTS NUMBER	FIGURE & KEY NO.	PARTS NUMBER	FIGURE & KEY NO.
FL2-0237-000	100 - 31	FL2-0982-000	110 - 5	FM2-0296-000	810 - 28
FL2-0245-000	102 - 42	FL2-1092-000	130 - 6	FM2-0299-000	810 - 35
FL2-0246-000	141 - 18	FL2-1200-000	352 - 23	FM2-0300-000	810 - 38
FL2-0247-000	141 - 11	FL2-1201-000	353 - 13	FM2-0303-000	101 - 4
FL2-0250-000	141 - 12	FL2-1202-000	353 - 14	FM2-0334-000	460 -
FL2-0251-000	141 - 15	FL2-1203-000	353 - 15	FM2-0338-000	106 - 7
FL2-0267-000	101 - 3	FL2-1205-000	354 - 37	FM2-0339-000	106 - 3
FL2-0279-000	210 - 25	FL2-1206-000	354 - 8	FM2-0342-000	991 -
FL2-0290-000	640 - 10	FL2-1207-000	354 - 23	FM2-0343-000	990 - 2
FL2-0291-000	640 - 8	FL2-1208-000	354 - 13	FM2-0353-000	110 -
FL2-0292-000	640 - 9	FL2-1209-000	354 - 24	FM2-0354-000	110 -
FL2-0295-000	621 - 26	FL2-1210-000	354 - 33	FM2-0355-000	140 - 58
FL2-0298-000	140 - 59	FL2-1212-030	353 - 16	FM2-0356-000	810 -
FL2-0303-000	640 - 22	FL2-1517-000	102 - 8	FM2-0357-000	810 -
FL2-0307-000	621 - 15	FL2-1518-000	102 - 13	FM2-0358-000	810 - 19
FL2-0308-000	621 - 27	FL2-2942-000	210 - 23	FM2-0359-000	810 - 19
FL2-0309-000	621 - 6	FL2-2943-000	210 - 24	FM2-0360-000	130 -
FL2-0313-000	621 - 16	FL2-2944-000	210 - 24	FM2-0361-000	130 -
FL2-0314-000	102 - 50	FL2-2945-000	210 - 24	FM2-0362-000	130 -
FL2-0315-000	100 - 26	FL2-2946-000	210 - 24	FM2-0384-000	110 -
FL2-0322-000	500 - 1	FL2-2952-000	164 - 9	FM2-0387-000	315 -
FL2-0330-000	102 - 48	FL2-2954-000	161 - 6	FM2-0389-000	102 - 14
FL2-0352-000	100 - 39	FL2-2997-000	210 - 18	FM2-0860-000	992 - 8
FL2-0941-000	161 - 12	FL2-2999-000	210 - 4	FM2-1116-000	130 - 20
FL2-0943-000	161 - 35	FL2-3265-000	102 - 45	FM2-1328-000	352 -
FL2-0945-000	161 - 30	FL2-3266-000	261 - 2	FM2-1335-000	354 -
FL2-0946-000	161 - 31	FM2-0111-000	140 - 21	FM2-1340-000	354 - 26
FL2-0947-000	161 - 13	FM2-0131-000	145 -	FM2-1577-000	310 -
FL2-0948-000	163 - 12	FM2-0177-000	350 - 14	FM2-1578-000	311 -
FL2-0949-000	162 - 10	FM2-0241-000	250 -	FM2-1771-000	281 -
FL2-0950-000	162 - 11	FM2-0242-000	281 -	FM2-1772-000	251 -
FL2-0951-000	162 - 1	FM2-0244-000	992 -	FM2-1774-000	810 -
FL2-0952-000	162 - 12	FM2-0245-000	910 -	FM2-1786-000	810 -
FL2-0953-000	163 - 13	FM2-0250-000	140 -	FM2-1787-000	810 -
FL2-0955-000	163 - 14	FM2-0252-000	141 -	FM2-1792-000	810 - 19
FL2-0958-000	164 - 29	FM2-0260-000	910 -	FM2-1793-000	810 - 19
FL2-0959-000	164 - 30	FM2-0261-000	104 - 14	FM2-1794-000	810 - 19
FL2-0960-000	164 - 31	FM2-0276-000	460 -	FM2-2758-000	130 - 10
FL2-0961-000	161 - 7	FM2-0286-000	621 -	FM2-2764-000	105 - 7
FL2-0962-000	164 - 51	FM2-0287-000	640 -	FM2-2767-000	930 - 1
FL2-0963-000	164 - 52	FM2-0289-000	640 - 11	FM2-2768-000	315 - 14
FL2-0964-000	164 - 53	FM2-0290-000	621 - 7	FM2-2769-000	810 - 40
FL2-0965-000	164 - 16	FM2-0292-000	810 -	FM2-2770-000	102 - 16
FL2-0968-000	164 - 58	FM2-0293-000	810 - 19	FM2-2771-000	102 - 22

# NUMERICAL INDEX

iR2270/2270F/2870/2870F/3570/3570F/4570/4570F

PARTS NUMBER	FIGURE & KEY NO.	PARTS NUMBER	FIGURE & KEY NO.	PARTS NUMBER	FIGURE & KEY NO.
FM2-2773-000	992 - 4	FM2-2973-000	990 - 1	FS6-8116-000	301 - 23
FM2-2774-000	930 - 2	FM2-3120-000	990 - 6	FS6-8992-000	100 - 46
FM2-2776-000	103 - 7	FM2-3122-000	992 - 3	FS7-2660-000	161 - 36
FM2-2779-000	930 - 1	FM2-3123-000	992 - 5	FS7-2662-000	161 - 5
FM2-2789-000	992 - 12	FM2-3124-000	992 - 6	FS7-2663-000	163 - 16
FM2-2790-000	992 - 10	FM2-3127-000	992 - 7	FS7-2664-000	164 - 66
FM2-2799-000	900 - 1	FM2-3128-000	992 - 9	FS7-2666-000	164 - 43
FM2-2815-000	105 - 13	FM2-3129-000	990 - 7	FS7-2788-000	104 - 5
FM2-2816-000	281 - 3	FM2-3130-000	990 - 8	FS7-2788-000	145 - 9
FM2-2817-000	107 - 1	FM2-3221-000	994 -	FS7-2797-000	310 - 36
FM2-2818-000	106 - 13	FM2-3226-000	900 - 2	FS7-2797-000	311 - 36
FM2-2819-000	105 - 9	FM2-3265-000	350 - 1	FS7-2798-000	310 - 37
FM2-2820-000	105 - 10	FM2-4471-000	353 -	FS7-2798-000	311 - 37
FM2-2824-000	105 - 8	FS1-1205-000	310 - 32	FS7-2800-000	310 - 38
FM2-2826-000	107 - 2	FS1-1205-000	311 - 32	FS7-2800-000	311 - 38
FM2-2830-000	105 - 11	FS1-1213-000	310 - 33	FS7-2801-000	310 - 39
FM2-2831-000	104 - 9	FS1-1213-000	311 - 33	FS7-2801-000	311 - 39
FM2-2833-000	105 - 11	FS1-1512-000	810 - 55	FS7-2802-000	310 - 40
FM2-2838-000	261 - 3	FS1-9009-020	810 - 27	FS7-2802-000	311 - 40
FM2-2839-000	621 - 35	FS1-9010-000	164 - 63	FS7-2803-000	310 - 41
FM2-2840-000	105 - 12	FS2-1014-000	621 - 17	FS7-2803-000	311 - 41
FM2-2841-000	105 - 12	FS2-9010-000	164 - 60	FS7-2805-000	300 - 24
FM2-2842-000	250 - 3	FSS-1209-000	140 - 33	FS7-2805-000	301 - 24
FM2-2842-000	251 - 3	FSS-1377-000	354 - 25	FS7-2859-000	353 - 24
FM2-2843-000	105 - 4	FSS-1595-000	104 - 4	FS7-2859-000	354 - 34
FM2-2845-000	102 - 51	FSS-1595-000	145 - 8	FS7-5909-000	310 - 42
FM2-2847-000	810 - 43	FSS-1597-000	310 - 34	FS7-5909-000	311 - 42
FM2-2851-000	102 - 9	FSS-1597-000	311 - 34	FS7-5910-000	310 - 43
FM2-2853-000	102 - 53	FSS-1943-000	350 - 9	FS7-5910-000	311 - 43
FM2-2856-000	100 - 44	FSS-1943-000	352 - 25	FS7-8143-020	100 - 48
FM2-2857-000	810 - 44	FSS-1943-000	353 - 22	FU3-0280-000	310 - 44
FM2-2858-000	102 - 46	FSS-1943-000	354 - 38	FU3-0280-000	311 - 44
FM2-2859-000	100 - 47	FSS-1945-000	810 - 36	FU3-0282-000	310 - 45
FM2-2862-000	101 - 14	FSS-1947-000	250 - 4	FU3-0282-000	311 - 45
FM2-2863-000	990 - 5	FSS-1947-000	251 - 4	FU3-0283-000	310 - 46
FM2-2868-000	110 - 2	FSS-6448-000	640 - 12	FU3-0283-000	311 - 46
FM2-2954-000	163 -	FSS-6488-000	353 - 23	FU3-0284-000	310 - 47
FM2-2955-000	163 - 15	FSS-9227-020	210 - 11	FU3-0284-000	311 - 47
FM2-2956-000	163 - 27	FSS-9664-000	104 - 15	FU3-0285-000	106 - 8
FM2-2957-000	163 - 23	FS6-1063-000	310 - 35	FU3-0288-000	310 - 48
FM2-2958-000	163 - 18	FS6-1063-000	311 - 35	FU3-0288-000	311 - 48
FM2-2959-000	164 -	FS6-2790-000	140 - 34	FU3-0289-000	310 - 49
FM2-2961-000	164 - 14	FS6-2791-000	140 - 35	FU3-0289-000	311 - 49
FM2-2964-000	162 -	FS6-8116-000	300 - 23	FU3-0290-000	310 - 50

# NUMERICAL INDEX

iR2270/2270F/2870/2870F/3570/3570F/4570/4570F

PARTS NUMBER	FIGURE & KEY NO.	PARTS NUMBER	FIGURE & KEY NO.	PARTS NUMBER	FIGURE & KEY NO.
FU3-0290-000	311 - 50	FU5-0129-000	810 - 46	FU5-2103-000	210 - 27
FU3-0291-000	310 - 51	FU5-0628-000	163 - 20	FU5-2104-000	300 - 29
FU3-0291-000	311 - 51	FU5-0629-000	164 - 44	FU5-2104-000	301 - 29
FU3-0292-000	310 - 52	FU5-0630-000	164 - 45	FU5-2105-000	210 - 41
FU3-0292-000	311 - 52	FU5-0633-000	162 - 17	FU5-2364-000	164 - 41
FU3-0293-000	300 - 25	FU5-1006-000	140 - 49	FU5-2611-000	141 - 22
FU3-0293-000	301 - 25	FU5-1026-000	640 - 18	FU5-2652-000	102 - 10
FU3-0294-000	300 - 26	FU5-1028-000	102 - 36	FU5-2653-000	104 - 11
FU3-0294-000	301 - 26	FU5-1029-000	102 - 35	FU5-3016-000	140 - 51
FU3-0347-000	310 - 53	FU5-1030-000	102 - 31	FU5-3018-000	354 - 39
FU3-0347-000	311 - 53	FU5-1031-000	640 - 19	FU5-3019-000	353 - 26
FU3-0349-000	310 - 54	FU5-1168-000	163 - 19	FU5-3020-000	352 - 15
FU3-0349-000	311 - 54	FU5-1169-000	164 - 46	FU5-3020-000	353 - 27
FU3-0350-000	310 - 55	FU5-1170-000	164 - 47	FU5-3021-000	352 - 26
FU3-0350-000	311 - 55	FU5-1171-000	164 - 42	FU5-3021-000	354 - 40
FU3-0352-000	310 - 56	FU5-1172-000	163 - 21	FU5-3022-000	352 - 16
FU3-0352-000	311 - 56	FU5-1172-000	164 - 72	FU5-3030-000	210 - 49
FU5-0006-000	140 - 48	FU5-1173-000	161 - 37	FU5-3146-000	164 - 50
FU5-0054-000	352 - 12	FU5-2030-000	145 - 10	FU5-3147-000	164 - 35
FU5-0061-000	140 - 36	FU5-2032-000	300 - 27	FU5-3148-000	164 - 36
FU5-0062-000	315 - 12	FU5-2033-000	301 - 27	FU5-3149-000	164 - 69
FU5-0063-000	315 - 13	FU5-2034-000	140 - 37	FU5-3150-000	164 - 38
FU5-0076-000	353 - 25	FU5-2035-000	102 - 43	FU5-3178-000	102 - 11
FU5-0077-000	352 - 13	FU5-2037-000	141 - 20	FU5-3179-000	102 - 12
FU5-0078-000	352 - 14	FU5-2038-000	104 - 10	FU5-3180-000	102 - 20
FU5-0087-000	250 - 9	FU5-2044-000	140 - 55	FU5-3328-000	210 - 43
FU5-0087-000	251 - 8	FU5-2045-000	140 - 56	FU5-3333-000	163 - 17
FU5-0095-000	281 - 4	FU5-2057-000	210 - 42	FU5-3336-000	164 - 67
FU5-0096-000	281 - 5	FU5-2063-000	140 - 50	FU5-3337-000	164 - 54
FU5-0097-000	281 - 6	FU5-2064-000	101 - 12	FU5-6014-000	140 - 57
FU5-0098-000	250 - 10	FU5-2066-000	104 - 13	FU5-8001-000	210 - 36
FU5-0098-000	251 - 9	FU5-2067-000	140 - 47	FU5-8003-000	210 - 36
FU5-0101-000	281 - 7	FU5-2068-000	350 - 11	FU5-8005-000	210 - 36
FU5-0108-000	621 - 18	FU5-2073-000	810 - 34	FU5-8007-000	210 - 36
FU5-0109-000	621 - 19	FU5-2074-000	350 - 12	FU5-8011-000	145 - 11
FU5-0110-000	640 - 13	FU5-2076-000	141 - 21	FU5-8021-000	100 - 45
FU5-0111-000	640 - 14	FU5-2079-000	250 - 11	FU5-8550-000	210 - 50
FU5-0112-000	640 - 15	FU5-2079-000	251 - 10	FU5-8551-000	210 - 50
FU5-0113-000	640 - 16	FU5-2089-000	621 - 21	FU5-8552-000	210 - 50
FU5-0114-000	640 - 17	FU5-2090-000	102 - 32	FU5-8553-000	210 - 50
FU5-0115-000	621 - 20	FU5-2096-000	101 - 15	FU5-9006-000	210 - 30
FU5-0126-000	281 - 8	FU5-2097-000	300 - 28	FU5-9139-000	160 - 2
FU5-0127-000	810 - 48	FU5-2097-000	301 - 28	FU5-9140-000	160 - 3
FU5-0128-000	350 - 10	FU5-2102-000	810 - 37	FU6-0019-000	281 - 10

# NUMERICAL INDEX

iR2270/2270F/2870/2870F/3570/3570F/4570/4570F

PARTS NUMBER	FIGURE & KEY NO.	PARTS NUMBER	FIGURE & KEY NO.	PARTS NUMBER	FIGURE & KEY NO.
FU6-0020-000	281 - 11	VS1-7177-002	161 - 40	XA9-1386-000	992 - 11
FU6-0021-000	810 - 48	VS1-7177-004	210 - 54	XA9-1415-000	210 - 32
FU6-0023-000	810 - 24	VS1-7177-006	210 - 55	XA9-1468-000	102 - 5
FU6-0024-000	261 - 5	VT2-5018-000	900 - 4	XB1-2300-306	161 - 504
FU6-0029-000	261 - 6	WA7-3296-000	900 - 5	XB1-2300-306	164 - 506
FU6-0673-000	164 - 55	WE8-5689-000	001 - 6	XB1-2300-405	353 - 501
FU6-2009-000	102 - 28	WE8-5764-000	900 - 7	XB1-2300-405	354 - 502
FU6-2010-000	141 - 19	WG8-5624-000	162 - 13	XB1-2300-407	103 - 4
FU6-2011-000	102 - 33	WG8-5624-000	164 - 56	XB1-2300-409	810 - 501
FU6-2012-000	621 - 38	WG8-5624-000	210 - 19	XB1-2300-605	210 - 504
FU6-2014-000	141 - 23	WM2-5216-000	900 - 3	XB1-2300-607	106 - 501
FU6-2016-000	101 - 22	WT2-5565-000	315 - 16	XB1-2300-607	310 - 501
FU6-2021-000	810 - 47	X71-9310-000	640 - 20	XB1-2300-607	311 - 501
FU6-2236-000	210 - 40	XA9-0265-000	105 - 5	XB1-2300-607	900 - 503
HH2-2830-000	990 - 4	XA9-0465-000	900 - 6	XB1-2301-407	102 - 503
NPN	001 -	XA9-0605-000	100 - 42	XB1-2400-603	110 - 501
NPN	100 -	XA9-0656-000	311 - 60	XB1-2400-606	164 - 505
NPN	101 -	XA9-0702-000	810 - 31	XB1-2400-607	310 - 508
NPN	102 -	XA9-0874-000	160 - 4	XB1-2400-607	311 - 508
NPN	103 -	XA9-0894-000	140 - 39	XB1-2400-807	100 - 502
NPN	104 -	XA9-0894-000	161 - 15	XB1-2401-406	161 - 507
NPN	105 -	XA9-0894-000	164 - 75	XB1-2402-007	110 - 502
NPN	106 -	XA9-0962-000	310 - 60	XB1-2500-603	110 - 505
NPN	107 -	XA9-1164-000	104 - 17	XB1-3300-607	310 - 502
NPN	160 -	XA9-1164-000	250 - 5	XB1-3300-607	311 - 502
NPN	161 -	XA9-1164-000	251 - 5	XB2-8300-607	300 - 501
NPN	210 -	XA9-1164-000	281 - 9	XB2-8300-607	301 - 501
NPN	261 -	XA9-1297-000	141 - 24	XB2-8300-607	900 - 501
NPN	300 -	XA9-1386-000	100 - 34	XB2-8300-805	210 - 501
NPN	301 -	XA9-1386-000	101 - 13	XB3-6300-600	310 - 503
NPN	350 -	XA9-1386-000	102 - 6	XB3-6300-600	311 - 503
NPN	351 -	XA9-1386-000	103 - 3	XB4-5300-607	141 - 501
NPN	500 -	XA9-1386-000	104 - 12	XB4-5300-607	621 - 501
NPN	900 -	XA9-1386-000	105 - 6	XB4-5300-607	640 - 501
NPN	930 -	XA9-1386-000	106 - 11	XB4-5300-607	810 - 502
NPN	990 -	XA9-1386-000	140 - 52	XB4-5300-805	351 - 502
RB1-6539-000	310 - 57	XA9-1386-000	210 - 12	XB4-5300-805	354 - 501
RB1-6539-000	311 - 57	XA9-1386-000	310 - 31	XB4-5300-806	161 - 502
RB1-8945-000	310 - 58	XA9-1386-000	351 - 11	XB4-5300-806	163 - 502
RB1-8945-000	311 - 58	XA9-1386-000	352 - 17	XB4-5300-807	300 - 502
RS1-1087-000	810 - 25	XA9-1386-000	354 - 41	XB4-5300-807	301 - 502
RS5-1446-000	810 - 41	XA9-1386-000	621 - 22	XB4-5301-007	130 - 501
RS5-1567-000	310 - 59	XA9-1386-000	990 - 3	XB4-5400-807	101 - 501
RS5-1567-000	311 - 59	XA9-1386-000	991 - 5	XB4-5400-807	102 - 505

# NUMERICAL INDEX

iR2270/2270F/2870/2870F/3570/3570F/4570/4570F

PARTS NUMBER	FIGURE & KEY NO.	PARTS NUMBER	FIGURE & KEY NO.	PARTS NUMBER	FIGURE & KEY NO.
XB4-5400-807	145 - 501	XD2-1100-242	810 - 505	XD3-2200-182	261 - 504
XB4-5400-807	310 - 504	XD2-1100-322	164 - 504	XD3-2300-142	621 - 502
XB4-5400-807	311 - 504	XD2-1100-402	102 - 501	XF2-1604-435	164 - 57
XB4-5400-807	350 - 501	XD2-1100-402	161 - 511	XF2-1605-760	261 - 505
XB4-5400-809	161 - 506	XD2-1100-422	140 - 502	XF2-1605-940	164 - 2
XB4-5400-809	164 - 503	XD2-1100-502	102 - 502	XF2-1606-135	163 - 22
XB4-5401-007	100 - 501	XD2-1100-502	161 - 505	XF2-1607-440	164 - 3
XB4-5401-007	140 - 501	XD2-1100-502	210 - 505	XF2-1607-640	164 - 68
XB4-5401-007	141 - 502	XD2-1100-502	250 - 502	XF2-1607-840	106 - 9
XB4-5401-007	315 - 501	XD2-1100-502	251 - 501	XF2-1608-860	102 - 19
XB4-5401-205	161 - 503	XD2-1100-502	281 - 502	XF2-1609-040	106 - 10
XB4-5401-205	352 - 502	XD2-1100-502	310 - 506	XF2-3616-660	164 - 19
XB4-5401-205	353 - 502	XD2-1100-502	311 - 506	XF2-4104-040	281 - 504
XB4-5401-205	354 - 503	XD2-1100-502	350 - 502	XF2-4104-240	352 - 18
XB4-5401-207	310 - 505	XD2-1100-502	351 - 501	XF2-4107-940	353 - 28
XB4-5401-207	311 - 505	XD2-1100-502	352 - 501	XF2-4108-240	352 - 19
XB4-7300-809	162 - 501	XD2-1100-502	353 - 503	XF2-4109-240	354 - 42
XB6-2300-409	250 - 501	XD2-1100-502	354 - 504	XF2-4112-240	140 - 53
XB6-2300-409	251 - 503	XD2-1100-502	640 - 507	XF2-4606-740	210 - 503
XB6-7300-000	900 - 502	XD2-1100-502	810 - 503	XF9-0727-000	164 - 4
XB6-7300-407	210 - 507	XD2-1100-642	102 - 504	XF9-0743-000	210 - 33
XB6-7300-607	105 - 501	XD2-1100-642	164 - 501	XG9-0111-000	621 - 23
XB6-7300-607	106 - 503	XD2-1100-642	250 - 503	XG9-0387-000	810 - 42
XB6-7300-607	110 - 503	XD2-1100-642	251 - 502	XG9-0507-000	164 - 49
XB6-7300-607	130 - 502	XD2-1100-642	261 - 502	XG9-0520-000	353 - 29
XB6-7300-607	261 - 501	XD2-1100-642	281 - 503	XG9-0521-000	640 - 510
XB6-7300-607	640 - 502	XD2-1100-642	621 - 504	XH9-0125-000	102 - 4
XB6-7300-607	990 - 501	XD2-1100-642	810 - 504	XH9-0126-000	161 - 9
XB6-7300-607	992 - 501	XD2-1200-502	163 - 503	XZ9-0582-000	100 - 27
XB6-7300-609	281 - 501	XD2-2100-502	164 - 502		
XB6-7300-807	300 - 503	XD2-2100-802	640 - 508		
XB6-7300-807	301 - 503	XD3-1200-102	161 - 509		
XB7-2100-405	161 - 508	XD3-1300-162	161 - 510		
XBI-2400-606	161 - 501	XD3-2160-162	140 - 504		
XD1-1104-135	300 - 504	XD3-2200-102	140 - 503		
XD1-1104-135	301 - 504	XD3-2200-102	163 - 501		
XD1-1104-634	640 - 503	XD3-2200-102	164 - 507		
XD1-1106-215	640 - 505	XD3-2200-122	261 - 503		
XD1-1106-219	141 - 503	XD3-2200-122	310 - 507		
XD1-1108-215	102 - 506	XD3-2200-122	311 - 507		
XD1-1108-215	640 - 506	XD3-2200-122	352 - 503		
XD1-1108-218	621 - 503	XD3-2200-122	354 - 505		
XD1-4200-402	110 - 504	XD3-2200-142	640 - 509		
XD1-4200-502	110 - 506	XD3-2200-162	350 - 503		



# **iR2270/2270F/2870/2870F/3570/3570F/ 4570/4570F**

100V	F14-3211-000KGG00001-
100V	F14-3218-000KBR00001-
100V	F14-3221-000KGGH00001-
100V	F14-3228-000KBS00001-
120V UL	F14-3231-000KGGJ00001-
120V UL	F14-3238-000KGBT00001-
230V	F14-3241-000KGM00001-
230V	F14-3248-000KGBX00001-
230V CA	F14-3261-000KGN00001-
230V CA	F14-3268-000KGBY00001-
230V EUR	F14-3291-000KGL00001-
230V EUR	F14-3298-000KBU00001-
100V	F14-3311-000KFZ00001-
100V	F14-3318-000KBBK00001-
100V	F14-3321-000KGB00001-
100V	F14-3328-000KBL00001-
120V UL	F14-3331-000KGC00001-
120V UL	F14-3338-000KBM00001-
230V	F14-3341-000KGE00001-
230V	F14-3348-000KBP00001-
230V CA	F14-3361-000KGF00001-
230V CA	F14-3368-000KBBQ00001-
230V EUR	F14-3391-000KGD00001-
230V EUR	F14-3398-000KBN00001-
100V	F14-5411-000KFM00001-
100V	F14-5418-000KAW00001-

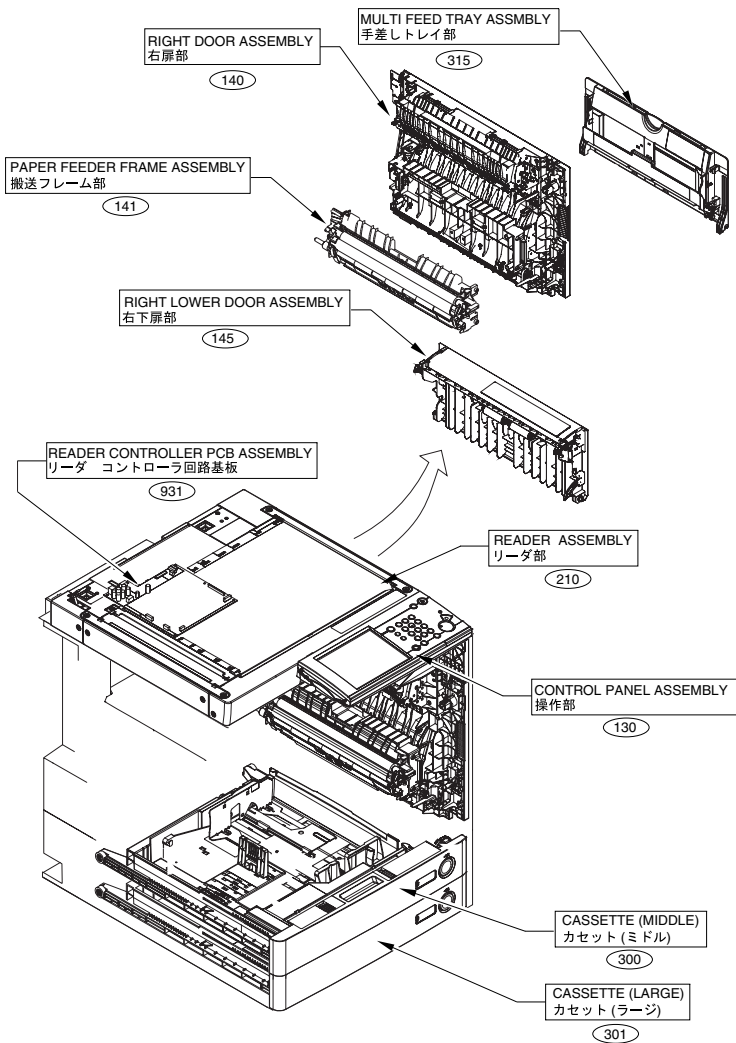
100V	F14-5421-000KFN00001-
100V	F14-5428-000KAX00001-
120V UL	F14-5431-000KFP00001-
120V UL	F14-5438-000KAY00001-
230V	F14-5441-000KFR00001-
230V	F14-5448-000KBB00001-
230V CA	F14-5461-000KFS00001-
230V CA	F14-5468-000KBC00001-
230V EUR	F14-5491-000KFQ00001-
230V EUR	F14-5498-000KAZ00001-
100V	F14-6711-000KFT00001-
100V	F14-6718-000KBD00001-
100V	F14-6721-000KFU00001-
100V	F14-6728-000KBE00001-
120V UL	F14-6731-000KFV00001-
120V UL	F14-6738-000KBF00001-
230V	F14-6741-000KFX00001-
230V	F14-6748-000KBH00001-
230V CA	F14-6761-000KFY00001-
230V CA	F14-6768-000KBJ00001-
230V EUR	F14-6791-000KFW00001-
230V EUR	F14-6798-000KBG00001-

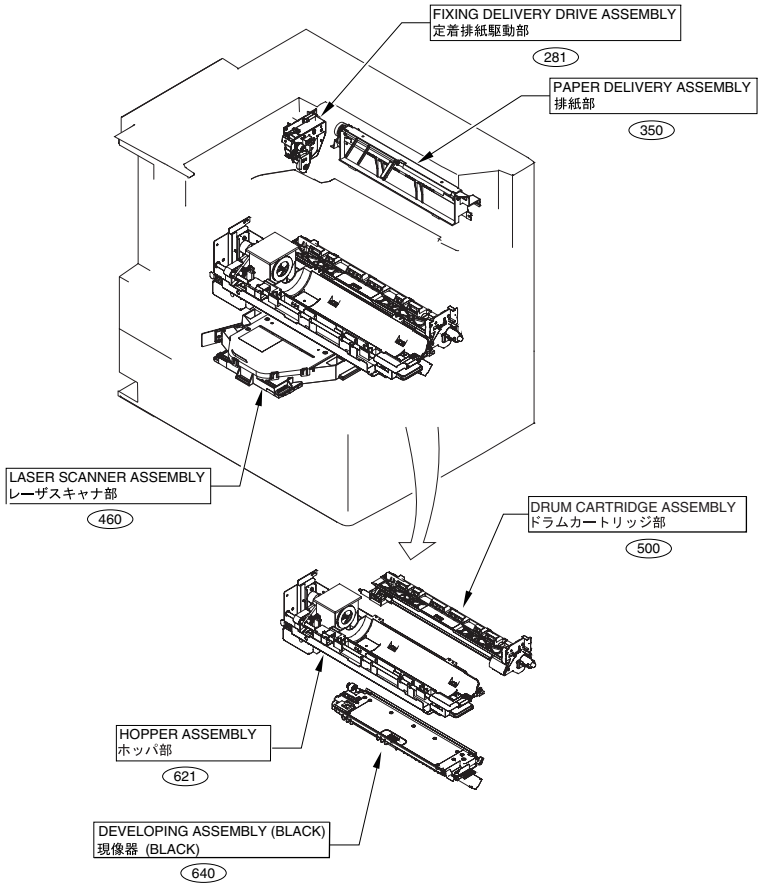
# Contents

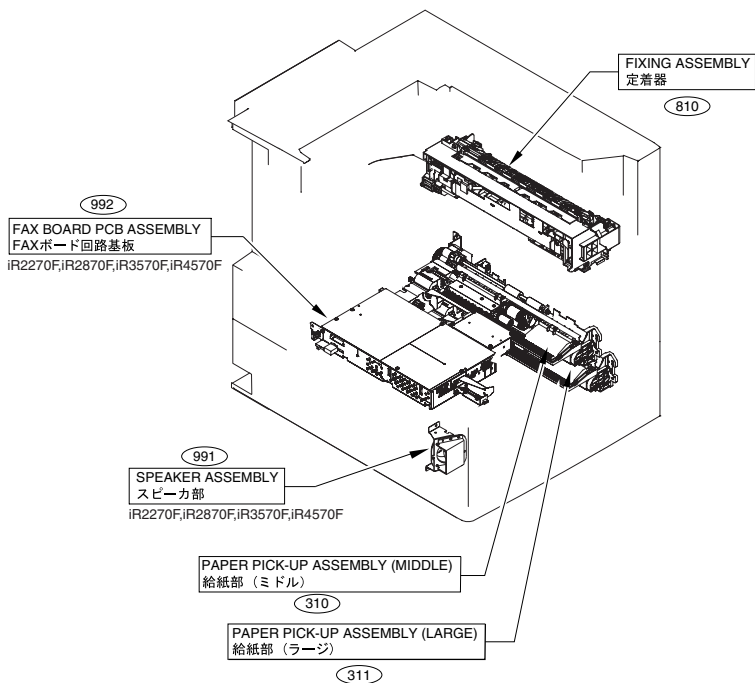
A	ASSEMBLY LOCATION DIAGRAM .....	2-1
001	ACCESSORIES .....	2-7
100	EXTERNAL COVERS, PANELS, ETC. ....	2-9
101	MACHINE FRONT PLATE .....	2-13
102	INTERNAL COMPONENTS 1 .....	2-15
103	INTERNAL COMPONENTS 2 .....	2-19
104	INTERNAL COMPONENTS 3 .....	2-21
105	MACHINE REAR PLATE 1 .....	2-23
106	MACHINE REAR PLATE 2 .....	2-25
107	MACHINE REAR PLATE 3 .....	2-27
110	POWER CORD TERMINAL ASSEMBLY .....	2-29
130	CONTROL PANEL ASSEMBLY .....	2-31
140	RIGHT DOOR ASSEMBLY .....	2-33
141	PAPER FEEDER FRAME ASSEMBLY .....	2-37
145	RIGHT LOWER DOOR ASSEMBLY .....	2-39
160	DADF MOUNTING HARDWARE .....	2-41
161	DADF ASSEMBLY .....	2-43
162	DOCUMENT TRAY ASSEMBLY .....	2-50
163	OPEN/CLOSE PANEL ASSEMBLY .....	2-53
164	PAPER FEEDER ASSEMBLY .....	2-57
210	READER ASSEMBLY .....	2-66
250	MAIN DRIVE ASSEMBLY .....	2-71
251	MAIN DRIVE ASSEMBLY .....	2-73
261	FIXING PAPER DELIVERY DRIVE ASS'Y .....	2-75
281	FIXING DELIVERY DRIVE ASSEMBLY .....	2-77
300	CASSETTE (MIDDLE) .....	2-79
301	CASSETTE (LARGE) .....	2-82
310	PAPER PICK-UP ASSEMBLY (MIDDLE) .....	2-85
311	PAPER PICK-UP ASSEMBLY (LARGE) .....	2-89
315	MULTI FEED TRAY ASSEMBLY .....	2-93
350	PAPER DELIVERY ASSEMBLY .....	2-95
351	2ND 3RD DELIVERY ASSEMBLY .....	2-97
352	2ND UPPER DELIVERY ASSEMBLY .....	2-99
353	2ND DELIVERY FRAME ASSEMBLY .....	2-102
354	3RD DELIVERY FRAME ASSEMBLY .....	2-106
460	LASER SCANNER ASSEMBLY .....	2-111
500	DRUM CARTRIDGE ASSEMBLY .....	2-112
621	HOPPER ASSEMBLY .....	2-113
640	DEVELOPING ASSEMBLY .....	2-116
810	FIXING ASSEMBLY .....	2-118
900	CONTROLLER BOX ASSEMBLY .....	2-122
910	MAIN POWER SUPPLY PCB ASSEMBLY .....	2-124
930	DC CONTROLLER PCB ASSEMBLY .....	2-125
931	READER CONTROLLER PCB ASSEMBLY .....	2-126
990	FAX ASSEMBLY .....	2-127

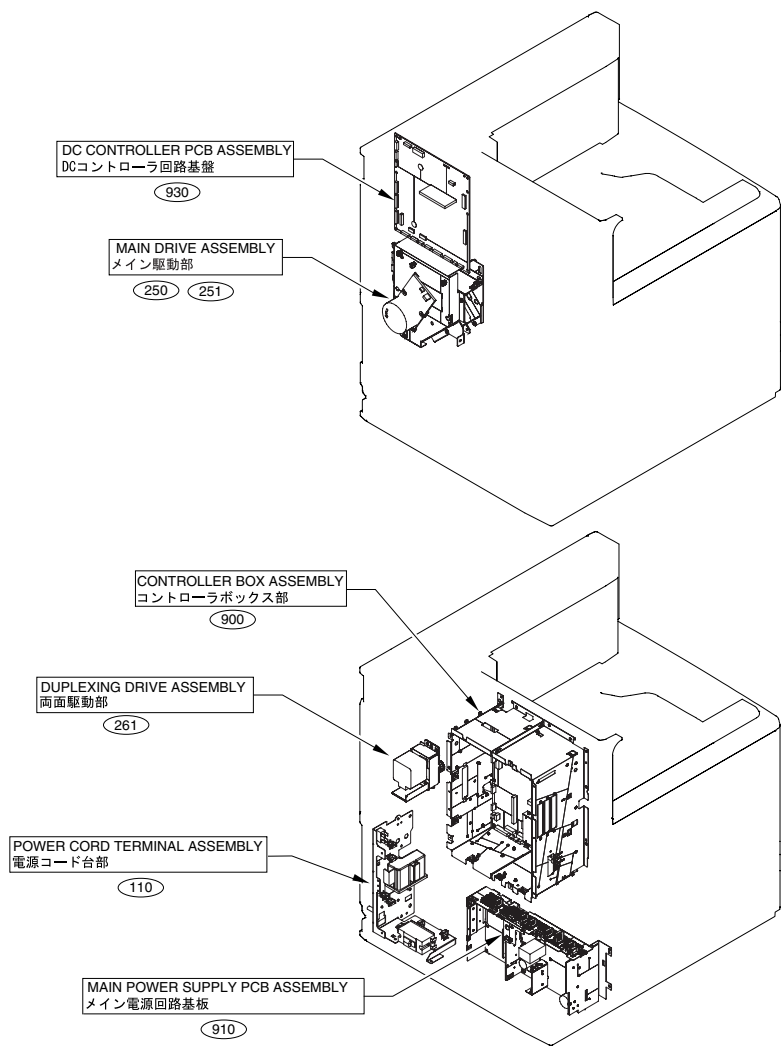
991	SPEAKER ASSEMBLY.....	2-129
992	FAX BOARD PCB ASSEMBLY .....	2-131
994	DELIVERY CONTROLLER PCB ASS'Y .....	2-133

# FIGURE A ASSEMBLY LOCATION DIAGRAM

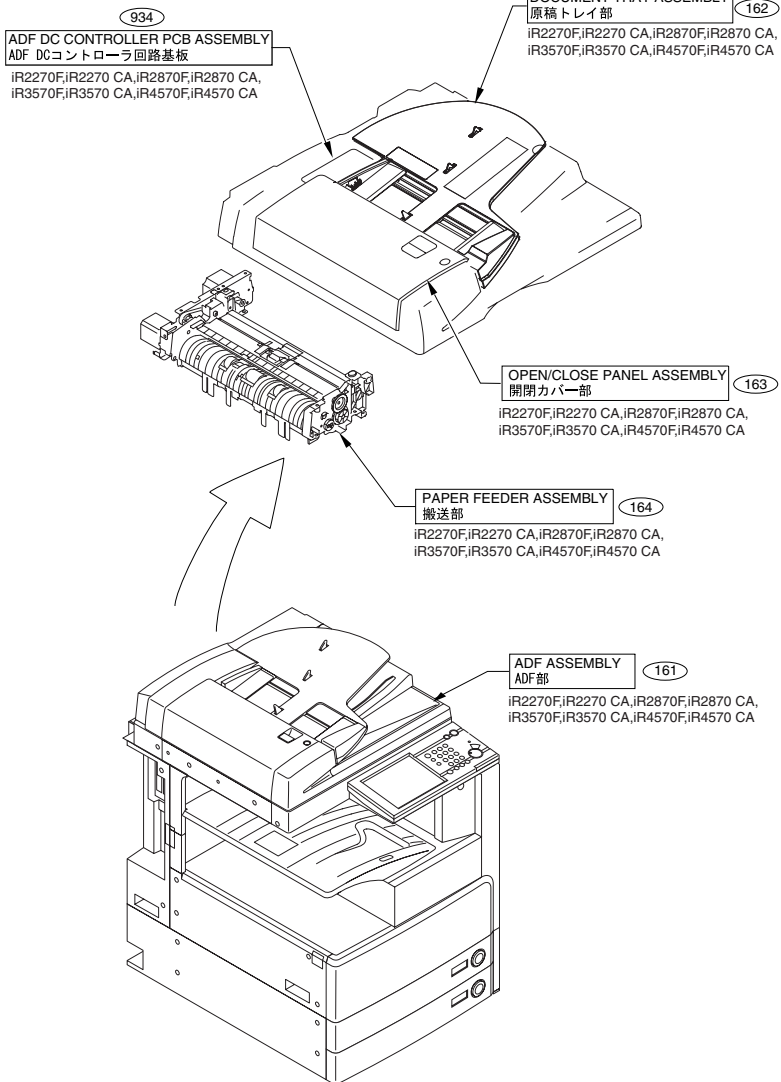


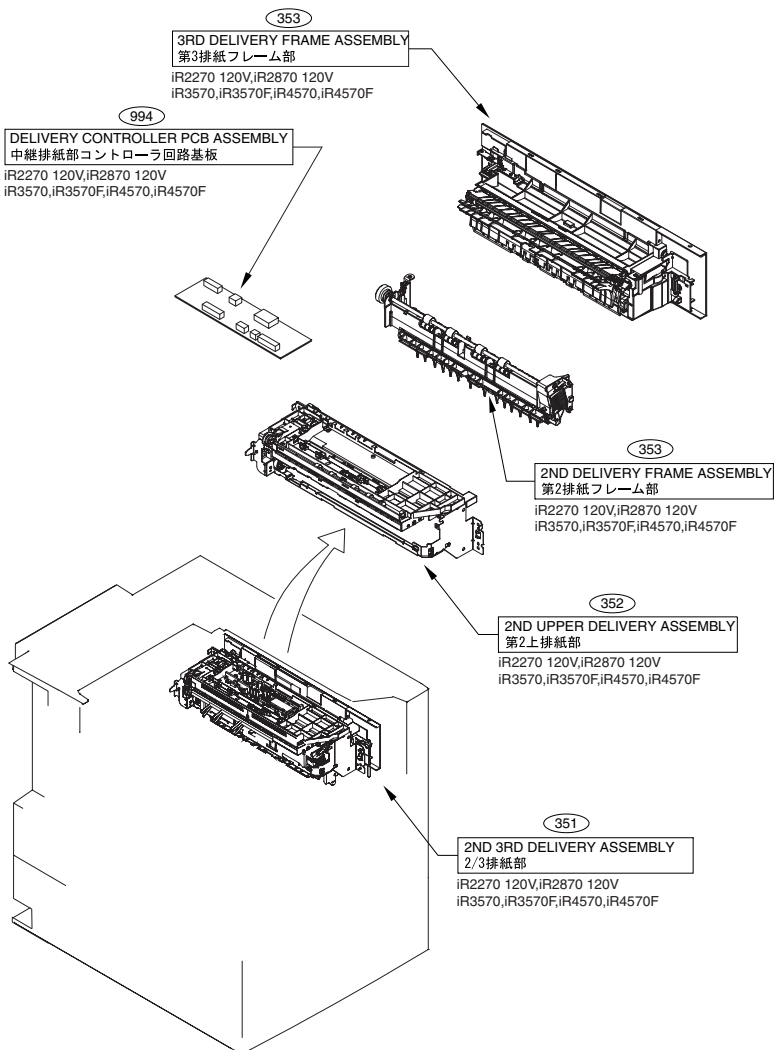




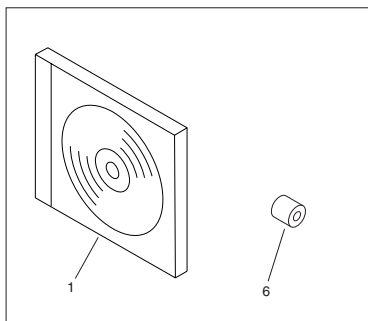




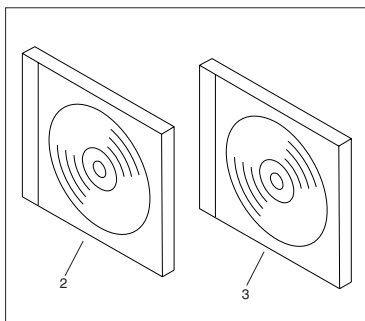




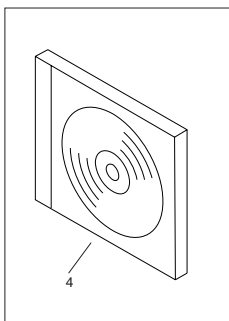
# FIGURE 001 ACCESSORIES



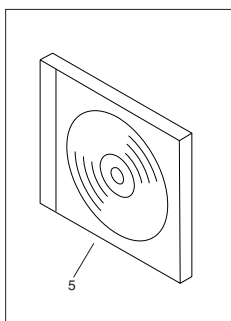
IR2270 100V,IR2270F,IR2870 100V,IR2870F  
IR4570 100V,IR4570F,IR3570 100V,IR3570F



IR2270F,IR2870F,IR4570F,IR3570F



IR2270,IR2270F,IR2870F,IR4570,IR4570F,IR3570,IR3570F



IR2270,IR2870,IR4570,IR3570

FIGURE & KEY NO.	PARTS NUMBER	RANK	Q'TY	DESCRIPTION	SERIAL NUMBER/REMARKS	SVC
Fig.001	NPN		RF	ACCESSORIES		
1	FK2-0920-000		1	MEAP SOFTWARE CD-ROM	iR2270 100V&iR2270F&iR2870 100V&iR2870F&iR4570 100V&iR4570F&iR3570 100V&iR3570F	
2	FK2-0643-000		1	BDL SOFTWARE CD-ROM	iR2270F&iR2870F&iR4570F&iR3570F	
2	FK2-0921-000		1	BDL SOFTWARE CD-ROM	iR2270F&iR2870F&iR4570F&iR3570F	
3	FK2-0923-000		1	FAX SOFTWARE CD-ROM	iR2270F&iR2870F&iR4570F&iR3570F	
3	FK2-0646-000		1	FAX SOFTWARE CD-ROM	iR2270F&iR2870F&iR4570F&iR3570F	
4	FK2-0695-000		1	MEAP SOFTWARE CD-ROM	iR2270&iR2270F&iR2870F&iR4570&iR4570F&iR3570&iR3570F	
5	FK2-0930-000		1	MEAP SOFTWARE CD-ROM	iR2270&iR2870&iR4570&iR3570	
5	FK2-0696-000		1	MEAP SOFTWARE CD-ROM	iR2270&iR2870&iR4570&iR3570	
6	WE8-5689-000		1	CORE, FERRITE	iR2270&iR2270F&iR2870&iR2870F&iR4570&iR4570F	

# FIGURE 100 EXTERNAL COVERS, PANELS, ETC.

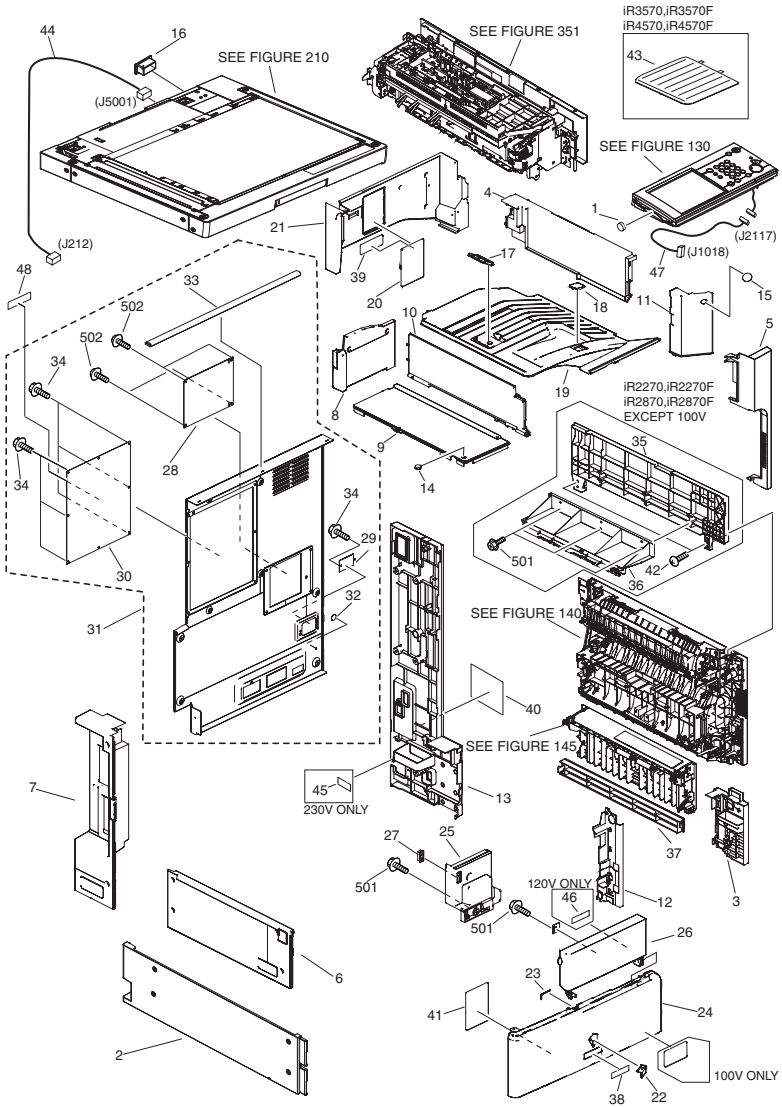


FIGURE & KEY NO.	PARTS NUMBER	R A N K	Q'TY	DESCRIPTION	SERIAL NUMBER/ REMARKS	S V C
Fig.100	NPN		RF	EXTERNAL COVERS, PANELS, ETC.		
1	FA9-3988-000		1	RUBBER, COVER		
2	FC5-0576-000		1	PANEL, LEFT		
3	FC5-0953-000		1	PANEL, RIGHT, FRONT LOWER		
4	FC5-0956-000		1	PANEL, INNER, RIGHT MIDDLE		
5	FC5-1101-000		1	PANEL, RIGHT, FRONT		
6	FC5-1103-000		1	PANEL, LEFT, MIDDLE		
7	FC5-1104-000		1	PANEL, LEFT, REAR		
8	FC5-1106-000		1	PANEL, INNER, REAR LOWER		
9	FC5-1108-000		1	PANEL, INNER, LEFT LOWER		
10	FC5-1109-000		1	PANEL, INNER, MIDDLE		
11	FC5-1117-000		1	PANEL, INNER, RIGHT		
12	FC5-1277-000		1	PANEL, INNER, RIGHT		
13	FC5-1278-000		1	PANEL, RIGHT, REAR		
14	FC5-1282-000		1	RUBBER, COVER		
15	FC5-6540-000		1	COVER, SCREW		
16	FH2-6552-000		1	COVER, CONNECTOR		
17	FC5-0812-000		1	STOPPER, PUSHING		
18	FC5-0957-000		1	CAP, INTERNAL PAPER DELIVERY		
19	FC5-1114-000		1	COVER, INTERNAL PAPER DELIVERY		
20	FC5-0889-000		1	COVER, BLANKING		
21	FC5-0942-000		1	PANEL, INNER, REAR		
22	FC5-1280-000		1	EMBLEM		
23	FB3-2224-000		1	PIN, HINGE		
24	FC5-1100-000		1	COVER, FRONT		
25	FC5-1115-000		1	COVER, FRONT, SMALL		
26	FL2-0315-000		1	DOOR, SUPPLY		
27	XZ9-0582-000		1	CATCH, MAGNET		
28	FC5-1094-000		1	LID, ASSIST		
29	FC5-1111-000		1	COVER, OUTLET		
30	FC5-1152-000		1	PANEL, CONTROLLER BOX		
31	FL2-0237-000		1	COVER, REAR		

FIGURE & KEY NO.	PARTS NUMBER	RANK	Q'TY	DESCRIPTION	SERIAL NUMBER/REMARKS	SVC
32	FC5-0166-000		1	SEAL, BLANKING		
33	FC5-1093-000		1	SEAL		
34	XA9-1386-000		4	SCREW, RS, M3X8		
35	FC5-0803-000		1	PANEL, RIGHT UPPER	iR2270&iR2270F&iR2870 &iR2870F EXCEPT 100V	
36	FC5-0807-000		1	GUIDE, 1ST DELIVERY FIXING	iR2270&iR2270F&iR2870 &iR2870F EXCEPT 100V	
37	FC5-0954-000		1	PANEL, RIGHT, LOWER		
38	FC6-4832-000		1	PLATE, NAME	iR2270	
38	FC6-4834-000		1	PLATE, NAME	iR2270	
38	FC6-4833-000		1	PLATE, NAME	iR2270F	
38	FC6-4837-000		1	PLATE, NAME	iR2870	
38	FC6-4839-000		1	PLATE, NAME	iR2870	
38	FC6-4838-000		1	PLATE, NAME	iR2870F	
38	FC5-7210-000		1	PLATE, NAME	iR3570	
38	FC5-7212-000		1	PLATE, NAME	iR3570	
38	FC5-7211-000		1	PLATE, NAME	iR3570F	
38	FC5-7213-000		1	PLATE, NAME	iR4570	
38	FC5-7215-000		1	PLATE, NAME	iR4570	
38	FC5-7214-000		1	PLATE, NAME	iR4570F	
39	FL2-0352-000		1	SHEET, PETAINING		
40	FC6-5076-000		1	LABEL, SHUT, DOWN B	iR2270&iR2270F&iR2870 &iR2870F&iR3570&iR3570F &iR4570&iR4570F	
40	FC6-5075-000		1	LABEL, SHUT, DOWN A	iR2270&iR2870&iR3570&iR4570	
41	FC6-5067-000		1	LABEL, TONER BOTTLE CAUTION		
42	XA9-0605-000		2	SCREW, M4X8	iR2270&iR2270F&iR2870 &iR2870F EXCEPT 100V	
43	FC5-0860-000		1	GUIDE, REVERSE BACK END	iR3570&iR3570F&iR4570 &iR4570F	
44	FM2-2856-000		1	CABLE, READER AC	J212,5001	
45	FU5-8021-000		1	LABEL, GROUNDING CAUTION	230V ONLY	
46	FS6-8992-000		1	LABEL, GENUINE	120V ONLY	
47	FM2-2859-000		1	CABLE, CONTROL PANEL		
48	FS7-8143-020		1	LABEL, COUNTER		

FIGURE & KEY NO.	PARTS NUMBER	R A N K	Q'TY	DESCRIPTION	SERIAL NUMBER/ REMARKS	S V C
501	XB4-5401-007		5	SCREW, M4X10		
502	XB1-2400-807		4	SCREW, M4X8		



FIGURE 101  
MACHINE FRONT PLATE

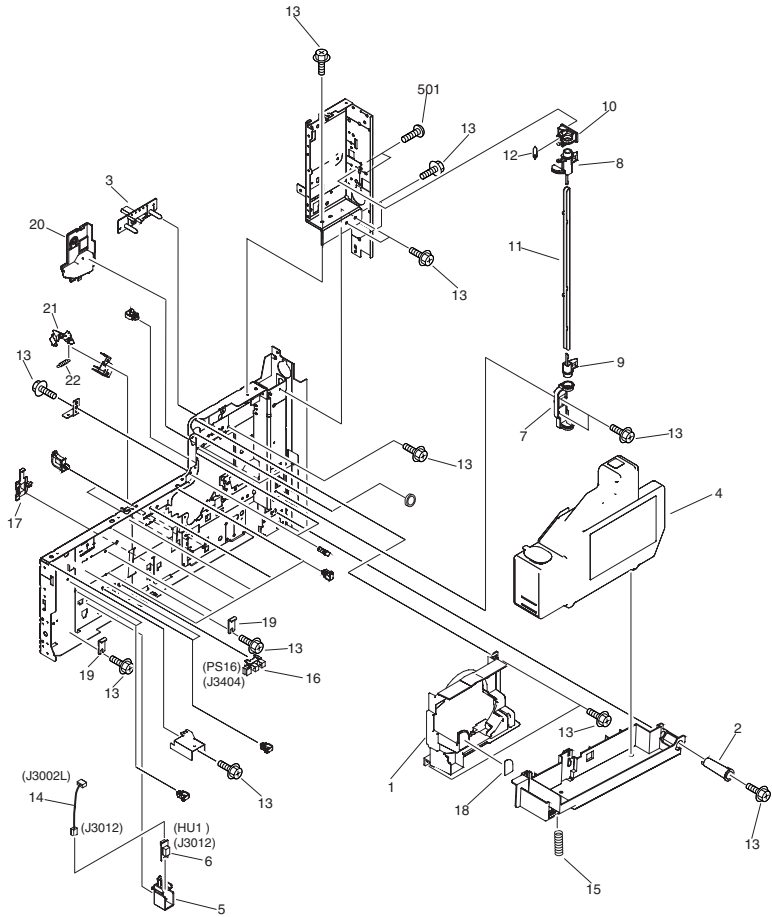


FIGURE & KEY NO.	PARTS NUMBER	R A N K	Q'TY	DESCRIPTION	SERIAL NUMBER/ REMARKS	S V C
Fig.101	NPN		RF	MACHINE FRONT PLATE		
1	FC5-1113-000		1	PANEL,INNER		
2	FC5-1413-000		1	PIN STAY		
3	FL2-0267-000		1	PIN, POSITIONING		
4	FM2-0303-000		1	BOX, WASTE TONER		
5	FC5-1307-000		1	MOUNT, ENVIRONMENT SENSOR		
6	FK2-0160-000		1	ENVIRONMENTAL SENSOR UNIT	HUI J3012	
7	FC5-0673-000		1	SUPPORT, HOOK POSITIONING		
8	FC5-0686-000		1	HOOK, RIGHT DOOR, UPPER		
9	FC5-0687-000		2	HOOK, RIGHT DOOR, LOWER		
10	FC5-0688-000		1	BUSHING		
11	FC5-0689-000		1	SHAFT, HOOK		
12	FU5-2064-000		1	SPRING, TENSION		
13	XA9-1386-000		19	SCREW, RS, M3X8		
14	FM2-2862-000		1	CABLE, ENVIRONMENT HEATER	J3002L,3012	
15	FU5-2096-000		1	SPRING		
16	FK2-0149-000		1	PHOTO-INTERRUPTRE, TLP1253(C6)	PS16 J3404	
17	FC5-1535-000		1	GUIDE, WIRE		
18	FC6-2918-000		1	LABEL, LOCK UNLOCK		
19	FL2-0203-000		2	PIN, POSITIONING		
20	FC5-1118-000		1	COVER, RIGHT IN, SMALL		
21	FC6-4824-000		1	STOPPER, BOX		
22	FU6-2016-000		1	SPRING, STOPPER		
501	XB4-5400-807		2	SCREW, P, M4X8		

# FIGURE 102 INTERNAL COMPONENTS 1

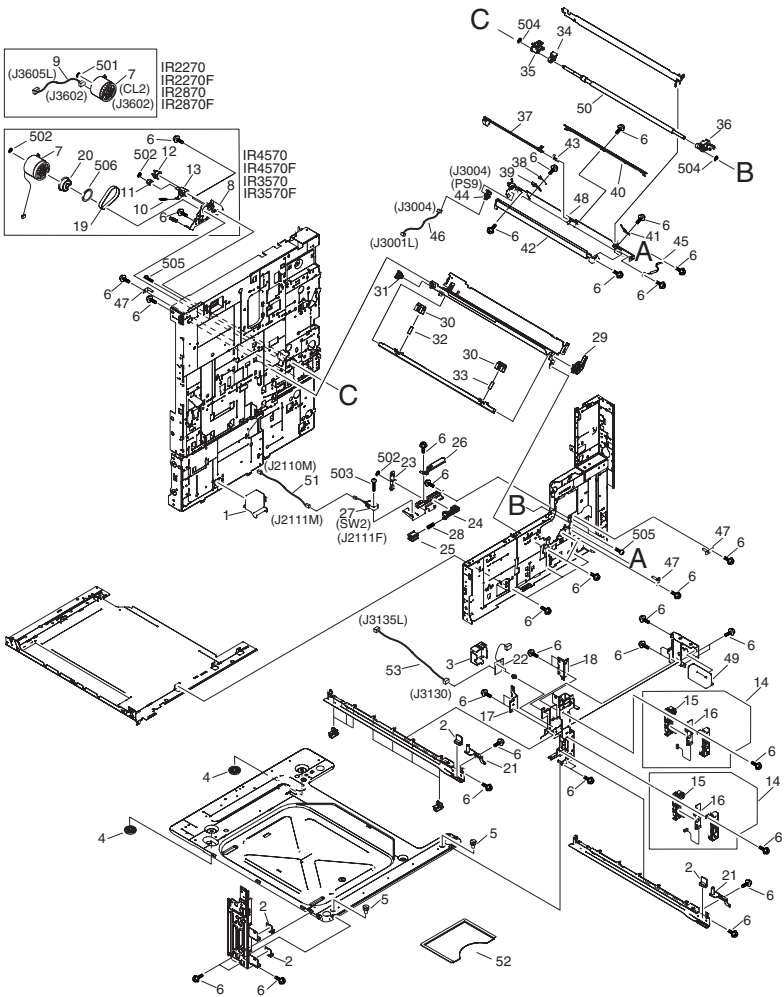


FIGURE & KEY NO.	PARTS NUMBER	R A N K	Q'TY	DESCRIPTION	SERIAL NUMBER/ REMARKS	S V C
Fig.102	NPN		RF	INTERNAL COMPONENTS 1		
1	FB3-3192-020		1	COVER, HEATER CONNECTOR		
2	FB6-3507-000		4	BLOCK, SWING		
3	FC5-0641-000		1	COVER, PCB		
4	XH9-0125-000		2	FOOT		
5	XA9-1468-000		2	SCREW, KNURLED, M6X10		
6	XA9-1386-000		40	SCREW,RS,M3X8		
7	FH6-5075-000		1	CLUTCH, ELECTROMAGNETIC	iR2270&iR2270F&iR2870 &iR2870F CL2 J3602	
7	FK2-0361-000		1	CLUTCH,ELECTROMAGNETIC	IR4570&iR4570F&iR3570 &iR3570F	
8	FL2-1517-000		1	SUPPORT, REGIST. CLUTCH	iR4570&iR4570F&iR3570 &iR3570F	
9	FM2-2851-000		1	CABLE, REGISTRATION CLUTCH	iR2270&iR2270F&iR2870 &iR2870F J3602,3605L	
10	FU5-2652-000		1	SPRING	iR4570&iR4570F&iR3570 &iR3570F	
11	FU5-3178-000		1	PULLEY, 20T	IR4570&iR4570F&iR3570 &iR3570F	
12	FU5-3179-000		1	PULLEY, 28T	iR4570&iR4570F&iR3570 &iR3570F	
13	FL2-1518-000		1	SUPPORT, REGIST. TENSION	iR4570&iR4570F&iR3570 &iR3570F	
14	FM2-0389-000		2	CASSETTE SIZE DETECT ASSEMBLY		
15	FC5-1420-000		2	HOLDER, SIZE DETECT		
16	FM2-2770-000		2	SIZE SENSOR PCB ASSEMBLY		
17	FC5-0567-000		1	PLATE, PICK-UP ASSY MOUNT, U		
18	FC5-0568-000		1	PLATE, PICK-UP ASSY MOUNT, L		
19	XF2-1608-860		1	BELT, TIMING	IR4570&iR4570F&iR3570 &iR3570F	
20	FU5-3180-000		1	PULLEY,36T	IR4570&iR4570F&iR3570 &iR3570F	
21	FL2-0116-000		2	PIN, SIDE REGIST. POSITIONING		
22	FM2-2771-000		1	SIZE DETECT CONNECT PCB ASS'Y		
23	FC5-1539-000		1	PLATE, ACTUATOR		
24	FC5-1540-000		1	SLIDER		
25	FC5-1541-000		1	BLOCK, SWITCH PRESSURE		

FIGURE & KEY NO.	PARTS NUMBER	R A N K	Q'TY	DESCRIPTION	SERIAL NUMBER/ REMARKS	S V C
26	FC5-1545-000		1	GUIDE, ACTUATOR		
27	FK2-0384-000		1	SWITCH, MICRO	SW2 J2111F	
28	FU6-2009-000		1	SPRING, LEAF		
29	FC5-1243-000		1	HANDLE, PRESSURE		
30	FC5-1262-000		2	CAM, DEVELOPING PRESSURE		
31	FU5-1030-000		1	BUSHING		
32	FU5-2090-000		1	SPRING		
33	FU6-2011-000		1	SPRING		
34	FC5-1562-000		1	HOLDER, TRANSFER GUIDE, UPPER		
35	FU5-1029-000		1	BUSHING		
36	FU5-1028-000		1	BUSHING		
37	FC5-0484-000		1	FLAG, PRE-REGISTRATION SENSOR		
38	FC5-0539-000		1	SPRING, GROUNDING		
39	FC5-0540-000		1	HOLDER, GROUNDING SPRING		
40	FC5-0547-000		1	GUIDE, PRE-REGISTRATION PAPER		
41	FC5-1564-000		1	SPRING, LEAF		
42	FL2-0245-000		1	SHEET, PAPER DUST RELEASE		
43	FU5-2035-000		1	SPRING, TORSION		
44	FK2-0149-000		1	PHOTO-INTERRUPTER, TLP1253(C6)	PS9 J3004	
45	FL2-3265-000		1	H.V. RESISTOR UNIT		
46	FM2-2858-000		1	CABLE, PRE-REGISTRATION SENSOR	J3004,3001L	
47	FC5-6578-000		3	PIN, POSITIONING		
48	FL2-0330-000		1	GUIDE, PRE-REGIST. MAIN BODY		
49	FC5-0958-000		1	GRIP, RIGHT FRONT		
50	FL2-0314-000		1	ROLLER, REGISTRATION HARD		
51	FM2-2845-000		1	CABLE, I.L. SWITCH CONNECT	J2110M,2111M	
52	FC5-1146-000		1	HOLDER, SERVICE BOOK		
53	FM2-2853-000		1	CABLE,CST. SIZE DETECT CONNECT	J3130,3135L	
501	XD2-1100-402		1	RETAINING RING (E-TYPE)		
502	XD2-1100-502		3	RETAINING RING (E-TYPE)		
503	XB1-2301-407		1	SCREW, MACH.,TRUS HEAD, M3X14		
504	XD2-1100-642		2	RING,E		

FIGURE & KEY NO.	PARTS NUMBER	R A N K	Q'TY	DESCRIPTION	SERIAL NUMBER/ REMARKS	S V C
505	XB4-5400-807		4	SCREW,P,M4X8		
506	XD1-1108-215		1	WASHER,COP		

# FIGURE 103 INTERNAL COMPONENTS 2

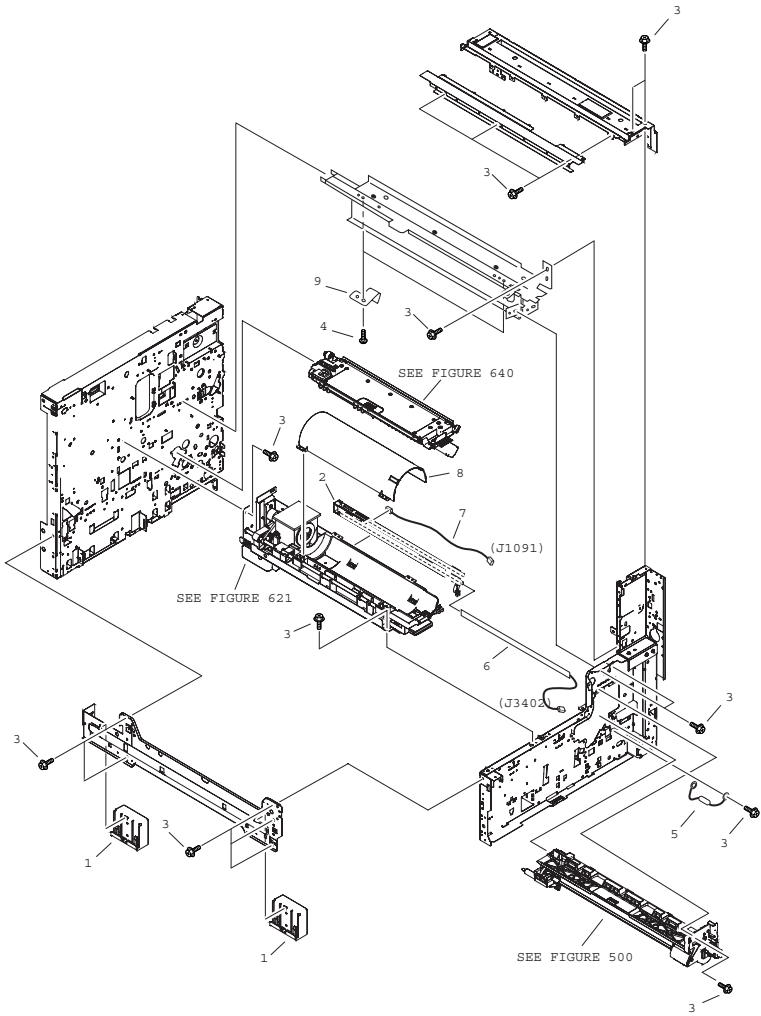


FIGURE & KEY NO.	PARTS NUMBER	RANK	Q'TY	DESCRIPTION	SERIAL NUMBER/REMARKS	SVC
Fig.103	NPN		RF	INTERNAL COMPONENTS 2		
1	FC5-0959-000		2	GRIP, LEFT		
2	FC5-1407-000		1	HOLDER, PRECONDITIONING		
3	XA9-1386-000		8	SCREW,RS,M3X8		
4	XB1-2300-407		2	SCREW, BH3X4 (S)		
5	FF3-4529-000		1	CABLE, VARISTOR		
6	FK2-0368-000		1	LED ARRAY	J3402	
7	FM2-2776-000		1	BOARD, DRUM THERMISTOR	J1091	
8	FC6-4820-000		1	COVER, BOTTLE		
9	FC6-4624-000		2	SPRING,LEAF		



# FIGURE 104 INTERNAL COMPONENTS 3

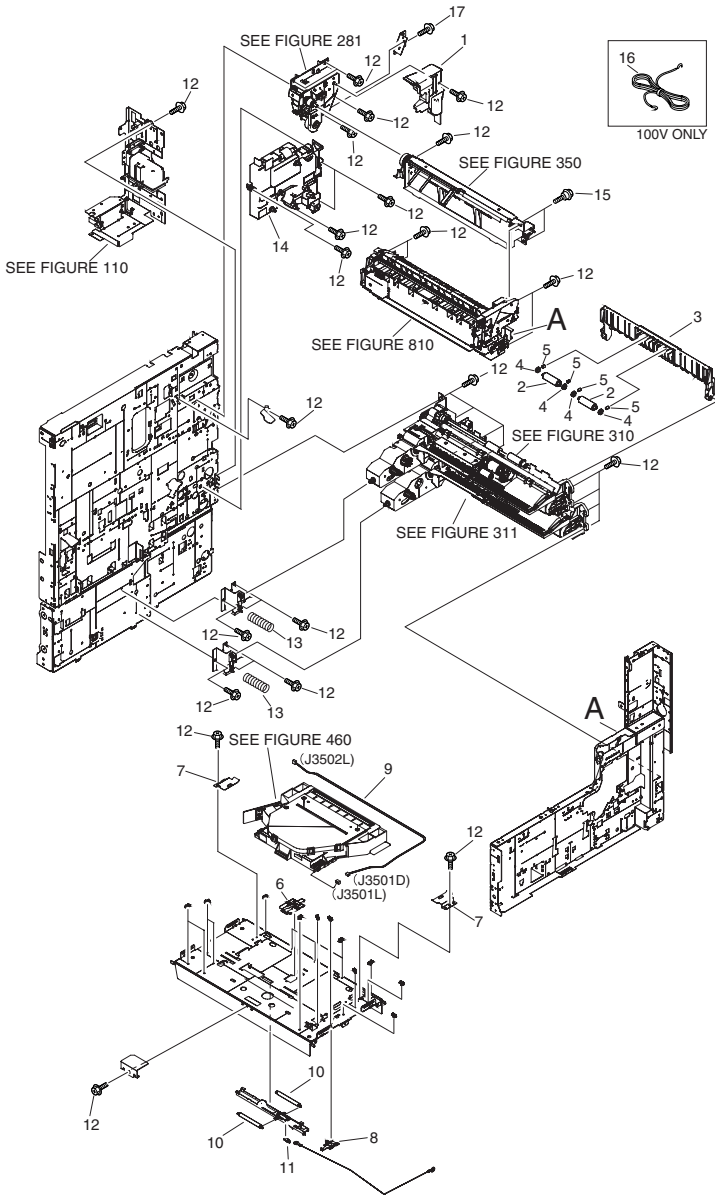


FIGURE & KEY NO.	PARTS NUMBER	RANK	Q'TY	DESCRIPTION	SERIAL NUMBER/REMARKS	SVC
Fig.104	NPN		RF	INTERNAL COMPONENTS 3		
1	FC5-1130-000		1	COVER, FIXING CONNECTOR		
2	FB6-3313-000		2	ROLLER, PAPER FEED		
3	FC5-0596-000		1	DOOR, RIGHT LOWER INNER		
4	FS5-1595-000		4	BUSHING, VERTICAL ROLLER		
5	FS7-2788-000		4	SPRING, COMPRESSION		
6	FC5-0191-000		1	GUIDE, POSITIONING		
7	FC5-0195-000		2	SPRING, LEAF		
8	FC5-1535-000		1	GUIDE, WIRE		
9	FM2-2831-000		1	CABLE, BEAM DETECTOR DOCKING	J3501D,3502L	
10	FU5-2038-000		2	SPRING, TORSION		
11	FU5-2653-000		1	SPRING		
12	XA9-1386-000		33	SCREW, RS, M3X8		
13	FU5-2066-000		2	SPRING, COMPRESSION		
14	FM2-0261-000		1	H.V. TRANSFER PCB ASSEMBLY		
15	FS5-9664-000		2	SCREW,RS STEPPED,M3		
16	FH2-7061-000		1	CORD, GROUNDING	100V ONLY	
17	XA9-1164-000		1	SCREW, RS, M3X6.5		

# FIGURE 105 MACHINE REAR PLATE 1

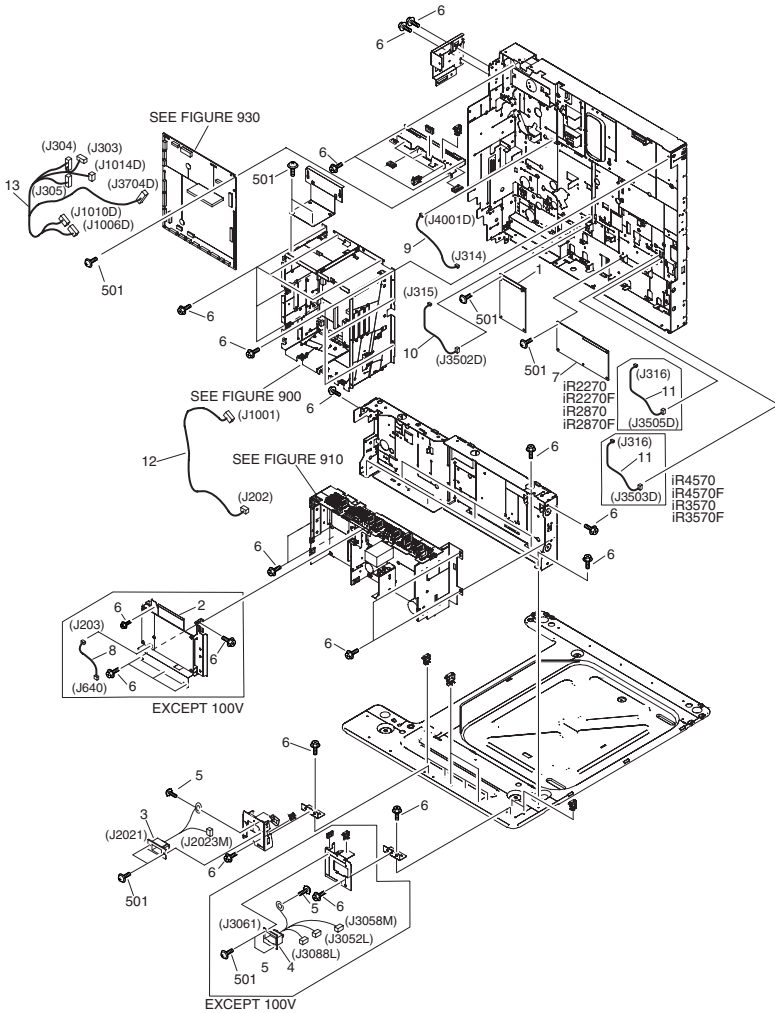


FIGURE & KEY NO.	PARTS NUMBER	R A N K	Q'TY	DESCRIPTION	SERIAL NUMBER/ REMARKS	S V C
Fig.105	NPN		RF	MACHINE REAR PLATE 1		
1	FK2-0340-000		1	ALL DAY POWER PCB ASSEMBLY	100V&120V	
1	FK2-0341-000		1	ALL DAY POWER PCB ASSEMBLY	230V	
2	FK2-0338-000		1	ACC POWER SUPPLY UNIT	120V	
2	FK2-0339-000		1	ACC POWER SUPPLY UNIT	230V	
3	FG3-3178-000		1	CABLE, LATTICE	J2021,2023M	
4	FM2-2843-000		1	CABLE, FINISHER LATTICE	EXCEPT 100V J3061,3052L,3088L,3058 M	
5	XA9-0265-000		2	SCREW, W/TOOTHED WASHER, (S)		
6	XA9-1386-000		33	SCREW,RS,M3X8		
7	FM2-2764-000		1	PS CONTROLLER ASSEMBLY		
8	FM2-2824-000		1	CABLE,ACCESSORY POWER SUPPLY	EXCEPT 100V J203,640	
9	FM2-2819-000		1	CABLE, HIGH VOLTAGE CONNECT	J314,4001D	
10	FM2-2820-000		1	CABLE, BEAM DETECTOR DOCKING	J315,3502D	
11	FM2-2833-000		1	CABLE, POLYGON	iR2270&iR2270F&iR2870 &iR2870F J316,3505D	
11	FM2-2830-000		1	CABLE, POLYGON	iR4570&iR4570F&iR3570 &iR3570F J316,3503D	
12	FM2-2841-000		1	CABLE, FIXING AC	iR2270&iR2270F&iR2870 &iR2870F	
12	FM2-2840-000		1	CABLE, FIXING AC	iR4570&iR4570F&iR3570 &iR3570F J202,1001M	
13	FM2-2815-000		1	CABLE, FIXING CONNECT	J303,304,305,1006D,1010 D,1014D,3704D	
501	XB6-7300-607		AR	SCREW, TP, M3X6		

# FIGURE 106 MACHINE REAR PLATE 2

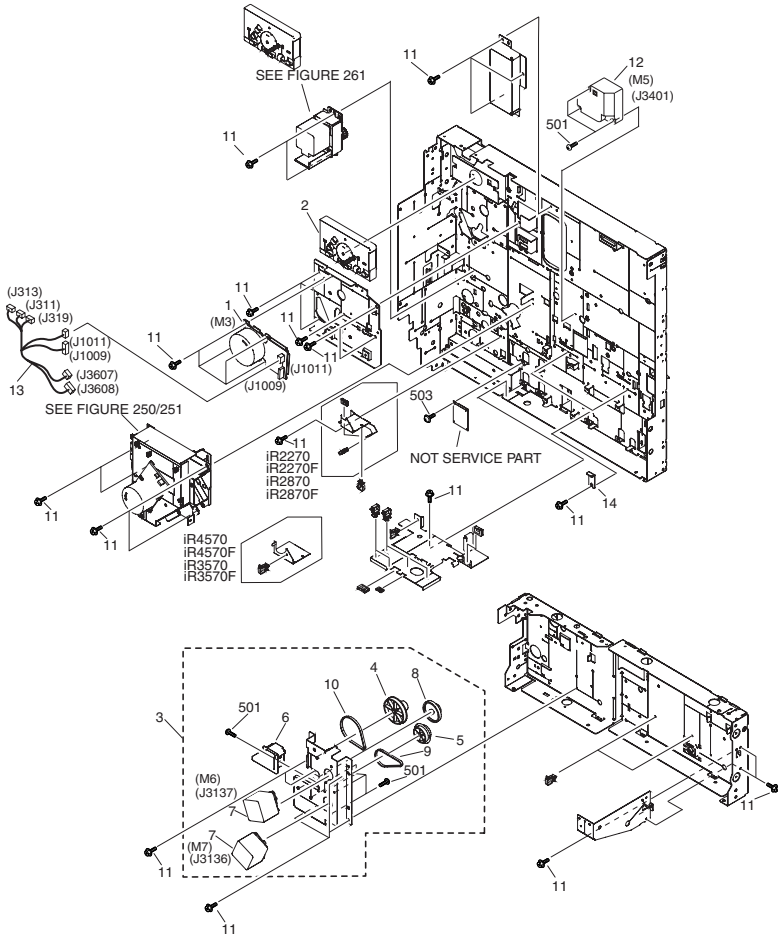


FIGURE & KEY NO.	PARTS NUMBER	RANK	Q'TY	DESCRIPTION	SERIAL NUMBER/REMARKS	SVC
Fig.106	NPN		RF	MACHINE REAR PLATE 2		
1	FK2-0367-000		1	MOTOR, DC	M3 J1009,1011	
2	FC6-2904-000		0	COVER, DC NETWORK BACK		
3	FM2-0339-000		1	PAPER PICK-UP MOTOR UNIT		
4	FC5-1516-000		1	PULLEY, 80T		
5	FC5-1517-000		1	PULLEY, 50T		
6	FC5-1518-000		1	COVER, PICK-UP MOTOR SUPPORT		
7	FM2-0338-000		2	MOTOR, DC	M6,7 J3136,3137	
8	FU3-0285-000		1	GEAR, 80T/16T		
9	XF2-1607-840		1	BELT, TIMING		
10	XF2-1609-040		1	BELT,TIMING		
11	XA9-1386-000		34	SCREW,RS,M3X8		
12	FK2-0015-000		1	MOTOR, DC24V	M5 J3401	
13	FM2-2818-000		1	CABLE, MOTOR	J311,313,319,1009,1011,3607,3608	
14	FL2-0203-000		2	PIN, POSITIONING		
501	XB1-2300-607		AR	SCREW, BH3X6(S)		
503	XB6-7300-607		AR	SCREW, TP, M3X6		

**FIGURE 107**  
**MACHINE REAR PLATE 3**

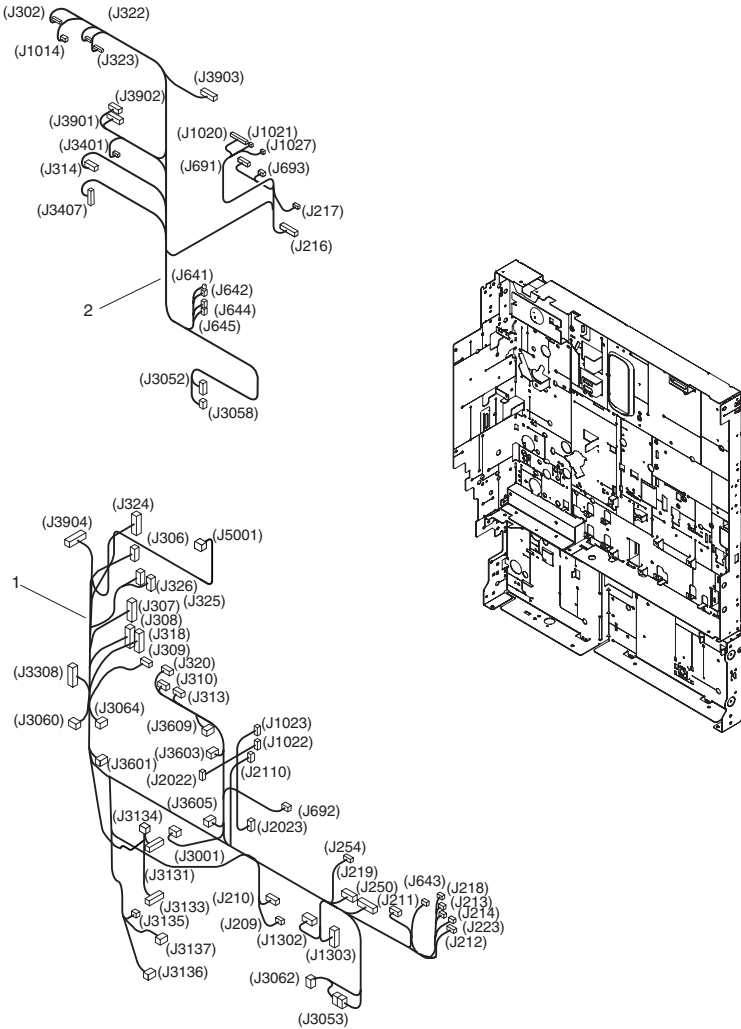


FIGURE & KEY NO.	PARTS NUMBER	RANK	Q'TY	DESCRIPTION	SERIAL NUMBER/REMARKS	SVC
Fig.107	NPN		RF	MACHINE REAR PLATE 3		
1	FM2-2817-000		1	CABLE, MAIN		
2	FM2-2826-000		1	CABLE, CONTROLLER		



# FIGURE 110 POWER CORD TERMINAL ASSEMBLY

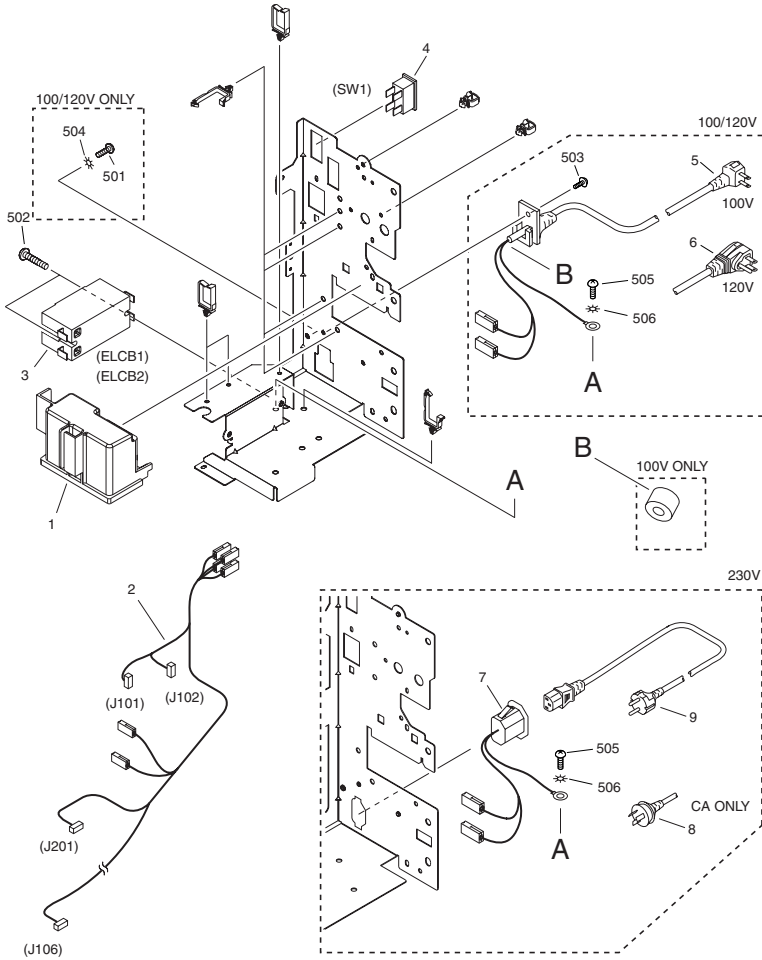


FIGURE & KEY NO.	PARTS NUMBER	R A N K	Q'TY	DESCRIPTION	SERIAL NUMBER/ REMARKS	S V C
Fig.110	FM2-0384-000		1	POWER CORD TERMINAL ASSEMBLY	100V	
Fig.110	FM2-0353-000		1	POWER CORD TERMINAL ASSEMBLY	120V	
Fig.110	FM2-0354-000		1	POWER CORD TERMINAL ASSEMBLY	230V	
1	FC5-1168-000		1	HANDLE, RIGHT REAR		
2	FM2-2868-000		1	CABLE,AC POWER SUPPLY	J101,102,201,106	
3	FH7-7626-000		1	BREAKER,ELECTRIC LEAKAGE	100V&120V	
3	FH7-7625-000		1	BREAKER,ELECTRIC LEAKAGE	230V	
4	FK2-0140-000		1	SWITCH, TOGGLE		
5	FL2-0982-000		1	CORD, POWER SUPPLY	100V	
6	FF3-4526-000		1	CORD, POWER SUPPLY	120V	
7	FF3-4527-000		1	CABLE, SOCKET	230V	
8	FK2-0148-000		1	CORD, POWER SUPPLY	230V CA ONLY	
9	FK2-0146-000		1	CORD, POWER SUPPLY	230V	
501	XB1-2400-603		1	SCREW, MACHINE M4X6 (COP)	100V&120V	
502	XB1-2402-007		2	SCREW, BH4X20 (S)		
503	XB6-7300-607		1	SCREW, TP, M3X6	100V&120V	
504	XD1-4200-402		1	WASHER, TOOTHED LOCK, M4	100V&120V	
505	XB1-2500-603		1	SCREW, MACHINE M5X6 (COP)	120V&230V	
506	XD1-4200-502		1	WASHER, TOOTHED LOCK, M5	120V&230V	

FIGURE 130  
CONTROL PANEL ASSEMBLY

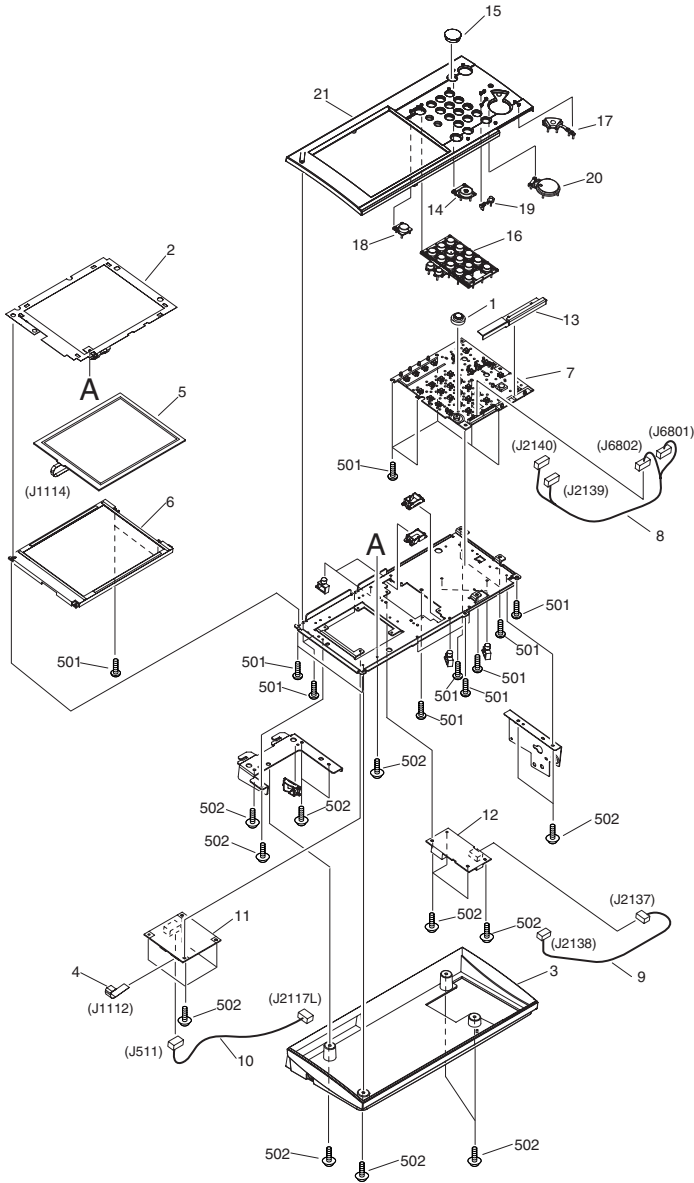
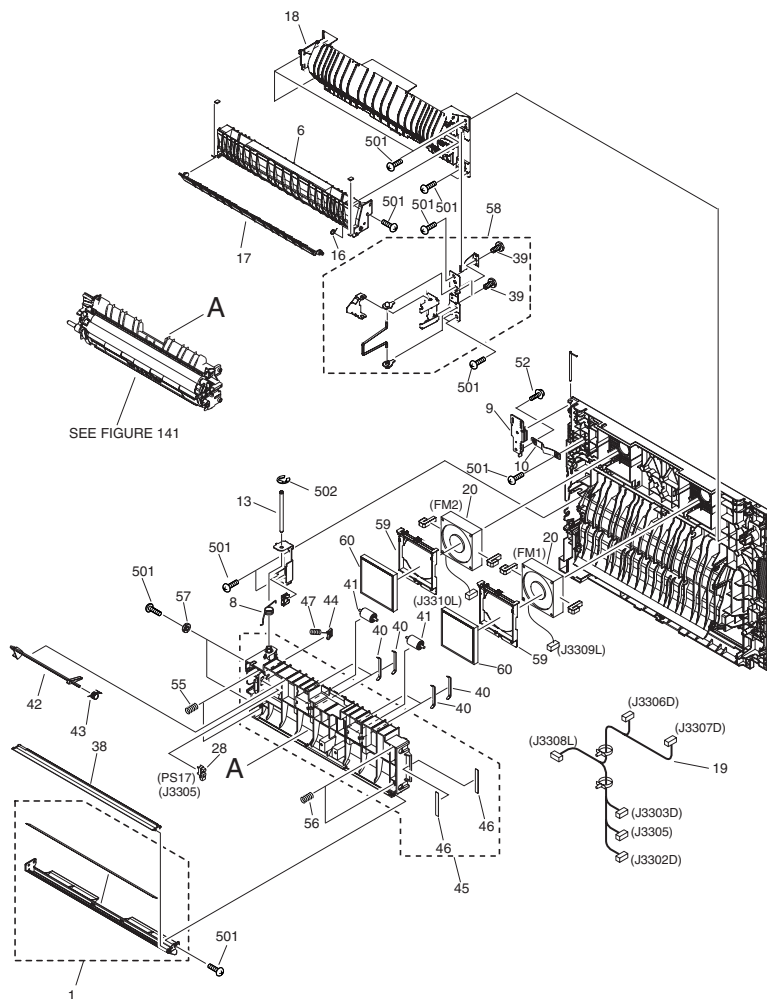


FIGURE & KEY NO.	PARTS NUMBER	R A N K	Q'TY	DESCRIPTION	SERIAL NUMBER/ REMARKS	S V C
Fig.130	FM2-0360-000		1	CONTROL PANEL ASSEMBLY	100V	
Fig.130	FM2-0361-000		1	CONTROL PANEL ASSEMBLY	120V	
Fig.130	FM2-0362-000		1	CONTROL PANEL ASSEMBLY	230V	
1	FC5-1067-000		1	KNOB, VOLUME		
2	FC5-4458-000		2	SHEET, LCD ELECTROSTATIC		
3	FC5-1056-000		1	COVER, CONTROL PANEL, LOWER		
4	FH2-7037-000		1	CABLE, FLAT	J1112	
5	FK2-0246-000		1	ANALOG TOUCH PANEL UNIT	J1114	
6	FL2-1092-000		1	LCD CONTROL PANEL UNIT		
7	FG3-2834-000		1	PANEL SWITCH PCB ASSEMBLY		
8	FG3-2835-000		1	CABLE, SWITCH	J2139,2140,6801,6802	
9	FG3-2836-000		1	CABLE, PANEL INVERTER	J2137,2138	
10	FM2-2758-000		1	CABLE, CONTROL PANEL CONNECT	J511,2117L	
11	FG3-3965-000		1	CONTROL PANEL CPU PCB ASSEMBLY		
12	FG6-8939-000		1	C. PANEL INVERTER PCB ASSEMBLY		
13	FC5-1057-000		1	WINDOW, LAMP		
14	FC5-1059-000		1	KEY TOP, POWER SUPPLY		
15	FC5-1506-000		1	CAP. ENERGY SAVE		
16	FC5-1061-000		1	KEY TOP, NUMBERS		
17	FC5-1064-000		1	KEY TOP, STOP		
18	FC5-1065-000		1	KEY TOP, RESET		
19	FC5-1066-000		1	KEY TOP, COUNTER		
20	FM2-1116-000		1	START KEY TOP ASSEMBLY		
21	FC6-2903-000		1	PANEL, CONTROL PANEL	100V	
21	FC5-1400-000		1	PANEL, CONTROL PANEL	120V	
21	FC5-5457-000		1	PANEL, CONTROL PANEL	230V	
501	XB4-5301-007		18	SCREW,P,M3X10		
502	XB6-7300-607		19	SCREW, TP, M3X6		

# FIGURE 140 RIGHT DOOR ASSEMBLY



NOTE : This assembly includes the assemblies shown in Figure 141 and 315.  
 注 : このユニットはFigure 141, 315のユニットを含みます。

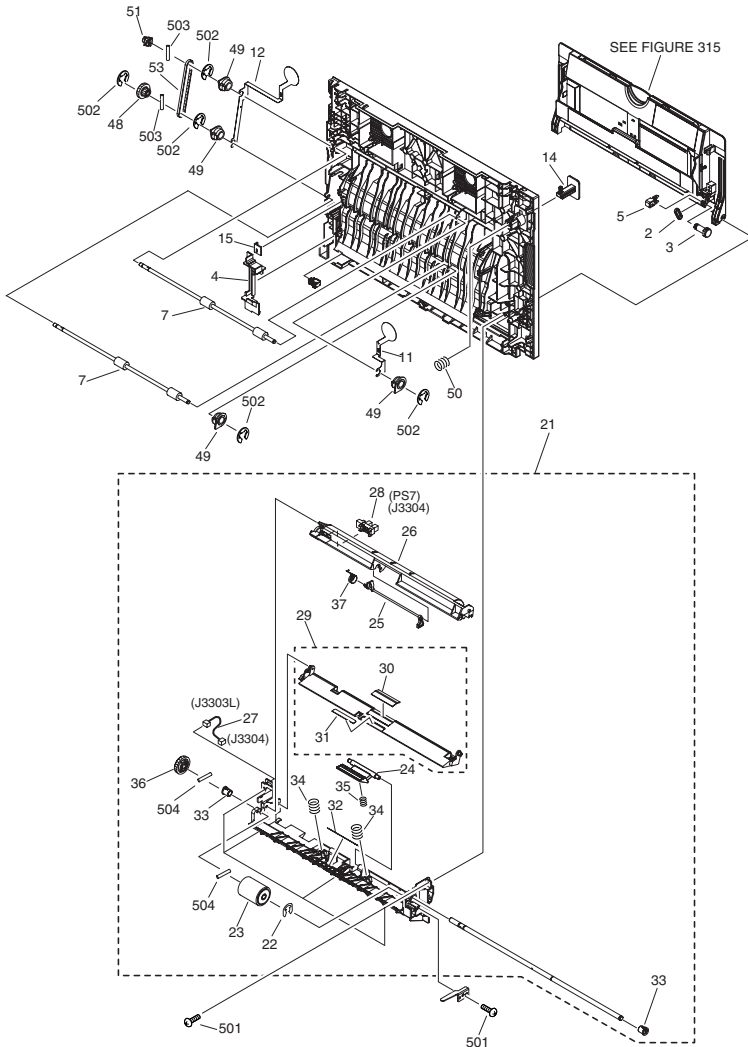


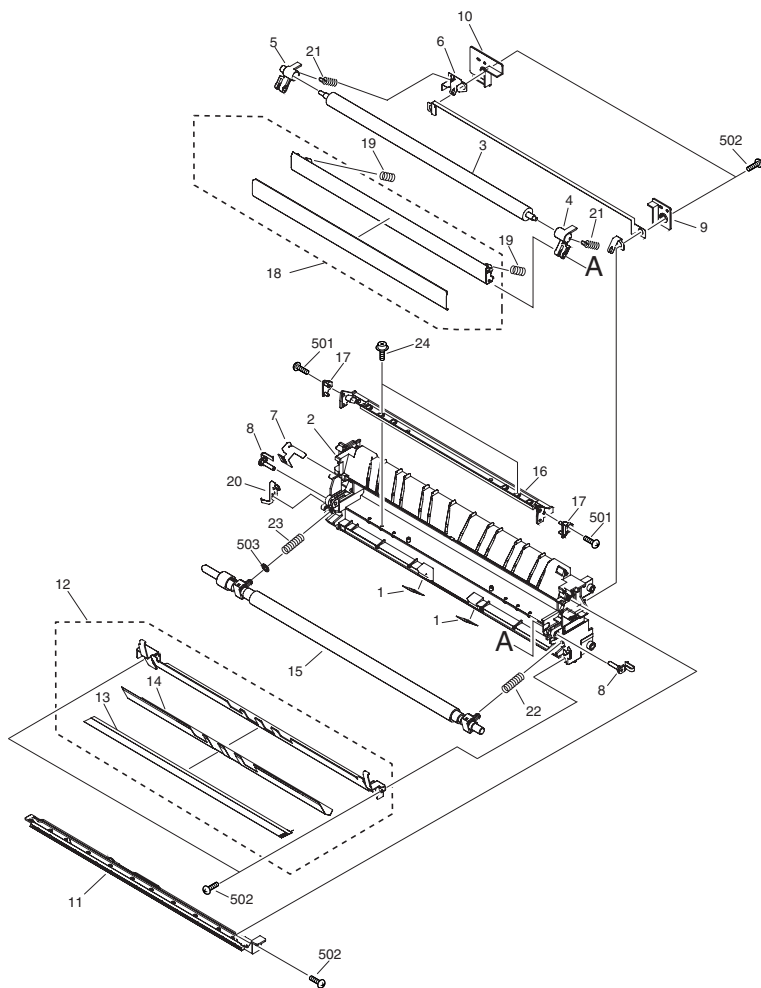
FIGURE & KEY NO.	PARTS NUMBER	R A N K	Q'TY	DESCRIPTION	SERIAL NUMBER/ REMARKS	S V C
Fig.140	FM2-0250-000		1	RIGHT DOOR ASSEMBLY	SEE NOTE	
1	FL2-0106-000		1	GUIDE, PRE-REGIST. AUXILIARY		
2	FC5-0521-000		1	LINK, MULTI FEED HAND LEVER		
3	FC5-0522-000		1	PIN, LEVER HINGE		
4	FC5-0524-000		1	COVER, MULTI FEED CONNECTOR		
5	FC5-0525-000		1	RING, RETAINING		
6	FC5-0652-000		1	GUIDE, DUPLEXING FEEDER, 2		
7	FC5-0653-000		2	ROLLER, DUPLEXING FEEDER		
8	FC5-0659-000		1	SPRING, TORSION		
9	FC6-4815-000		1	PLATE, HINGE, UPPER		
10	FC5-0674-000		1	STRAP, RIGHT DOOR		
11	FC5-0676-000		1	PLATE, GROUNDING		
12	FC5-0677-000		1	PLATE, GROUNDING		
13	FC5-0682-000		1	PIN, INNER DOOR HINGE		
14	FC5-0685-000		1	BUTTON, RIGHT DOOR		
15	FC5-0690-000		1	PLATE, SHOCK ABSORBER		
16	FC5-0972-000		1	SPRING, TORSION		
17	FC5-1354-000		1	FLAPPER, FIXING DELIVERY REV.		
18	FC6-2902-000		1	GUIDE, DUPLEXING FEEDER		
19	FG3-3189-000		1	CABLE, RIGHT DOOR UNIT	J3305,3302D,3303D,3306 D,3307D,3308L	
20	FK2-0360-000		2	FAN	FM1,2 J3309L,3310L	
21	FM2-0111-000		1	MULTI FEED FRAME ASSEMBLY		
22	FA4-1159-000		1	RETAINING RING		
23	FB1-8581-000		1	ROLLER		
24	FC5-0488-000		1	PAD, MULTI FEED SEPARATION		
25	FC5-0489-000		1	FLAG, MULTI FEED SENSOR		
26	FC5-0490-000		1	COVER, MULTI FEED ROLLER		
27	FG3-3188-000		1	CABLE, MULTI SENSOR	J3304,3303L	
28	FK2-0149-000		2	PHOTO-INTERRUPTER, TLP1253(C6)	PS7,17 J3304,3305	
29	FL2-0101-000		1	PLATE, MULTI FEED, LIFTER		
30	FC5-0529-000		1	SHEET, SEPARATION		
31	FC5-0543-000		1	SHEET, SEPARATION		

FIGURE & KEY NO.	PARTS NUMBER	R A N K	Q'TY	DESCRIPTION	SERIAL NUMBER/ REMARKS	S V C
32	FC5-0542-000		1	SHEET, MULTI FEED OUTLET		
33	FS5-1209-000		2	BUSHING		
34	FS6-2790-000		2	SPRING, COMPRESSION		
35	FS6-2791-000		1	SPRING, COMPRESSION		
36	FU5-0061-000		1	GEAR, 31T		
37	FU5-2034-000		1	SPRING, TORSION		
38	FC5-0496-000		1	GUIDE, PRE-REGIST. AUX., UPPER		
39	XA9-0894-000		3	SCREW,M3X6		
40	FB4-2930-000		8	SPRING, LEAF		
41	FB5-4773-000		2	ROLLER, DUPLEXING		
42	FC5-0657-000		1	FLAG, DUPLEXING FEEDER SENSOR		
43	FC5-0658-000		1	SPRING, TORSION		
44	FC5-0691-000		1	STOPPER, DOOR		
45	FL2-0143-000		1	GUIDE, DUPLEXING INTERNAL		
46	FC5-0703-000		2	LABEL, RIGHT INSIDE DOOR GRIP		
47	FU5-2067-000		1	SPRING, COMPRESSION		
48	FU5-0006-000		1	GEAR, 26T/PULLEY, 24T		
49	FU5-1006-000		4	BUSHING		
50	FU5-2063-000		1	SPRING, COMPRESSION		
51	FU5-3016-000		1	PULLEY, 24T		
52	XA9-1386-000		1	SCREW,RS,M3X8		
53	XF2-4112-240		1	BELT, TIMING, COGGED		
55	FU5-2044-000		2	SPRING, COMPRESSION		
56	FU5-2045-000		2	SPRING, COMPRESSION		
57	FU5-6014-000		2	COLLAR		
58	FM2-0355-000		1	HOOK HOLDER UNIT		
59	FL2-0298-000		2	HOLDER, FILTER		
60	FC5-1546-000		2	FILTER, VOC		
501	XB4-5401-007		20	SCREW, M4X10		
502	XD2-1100-422		5	RETAINING RING (E-TYPE)		
503	XD3-2200-102		2	PIN, PARALLEL		
504	XD3-2160-162		2	PIN,DOWEL		



# FIGURE 141

## PAPER FEEDER FRAME ASSEMBLY



NOTE : This assembly is included in the assembly shown in Figure 140.  
 注 : このユニットはFigure 140のユニットに含まれます。

FIGURE & KEY NO.	PARTS NUMBER	R A N K	Q'TY	DESCRIPTION	SERIAL NUMBER/ REMARKS	S V C
Fig.141	FM2-0252-000		1	PAPER FEEDER FRAME ASSEMBLY	SEE NOTE	
1	FC5-0548-000		2	SHEET, PRE-REGISTRATION		
2	FC5-1120-000		1	FRAME, FEEDER		
3	FC6-2911-000		1	ROLLER, TRANSFER		
4	FC5-1124-000		1	ARM, TRANSFER, FRONT		
5	FC5-1125-000		1	ARM, TRANSFER, REAR		
6	FC5-1126-000		1	PLATE, TRANSFER ELECTRODE, R.		
7	FC5-1127-000		1	PLATE, STATIC CHARGE ELECTRODE		
8	FC5-1536-000		2	PIN, TRANSFER HINGE		
9	FC5-1558-000		1	COVER,ELECTRODE PLATE,FRONT		
10	FC5-1559-000		1	COVER,ELECTRODE PLATE,REAR		
11	FL2-0247-000		1	HOLDER,STATIC CHARGE ELIMI.		
12	FL2-0250-000		1	GUIDE, PRE-REGIST. DOOR SIDE		
13	FC5-0549-000		1	ELIMINATOR, STATIC CHARGE		
14	FC5-1552-000		1	SHEET, PRE-REGIST. DOOR SIDE		
15	FL2-0251-000		1	ROLLER, REGISTRATION SOFT		
16	FC5-1527-000		1	GUIDE, SWING LOWER, LOWER		
17	FC5-1560-000		2	HOLDER, SWING GUIDE, LOWER		
18	FL2-0246-000		1	GUIDE, SWING LOWER, UPPER		
19	FU6-2010-000		2	SPRING		
20	FU5-2037-000		1	PLATE, GROUNDING		
21	FU5-2076-000		2	SPRING		
22	FU5-2611-000		1	SPRING, COMPRESSION		
23	FU6-2014-000		1	SPRING, COMPRESSION		
24	XA9-1297-000		2	SCREW, M3X10		
501	XB4-5300-607		2	SCREW,P,M3X6		
502	XB4-5401-007		5	SCREW, M4X10		
503	XD1-1106-219		1	SHIM, CIRCULAR		

FIGURE 145  
RIGHT LOWER DOOR ASSEMBLY

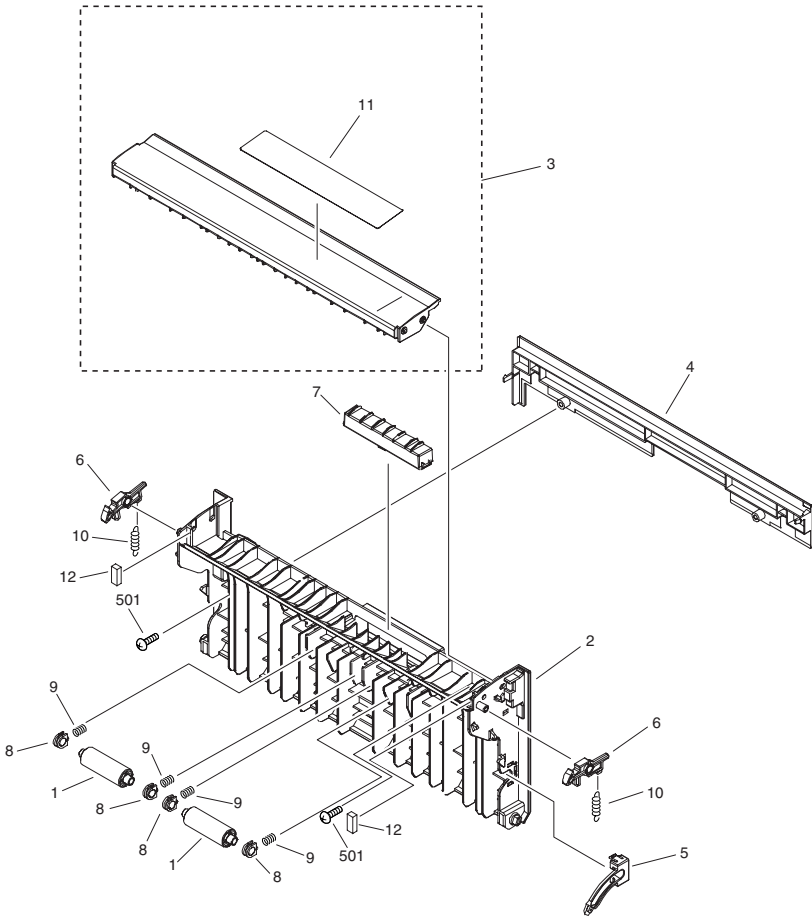


FIGURE & KEY NO.	PARTS NUMBER	R A N K	Q'TY	DESCRIPTION	SERIAL NUMBER/ REMARKS	S V C
Fig.145	FM2-0131-000		1	RIGHT LOWER DOOR ASSEMBLY		
1	FB6-3313-000		2	ROLLER, PAPER FEED		
2	FC5-0588-000		1	DOOR, RIGHT LOWER		
3	FL2-0126-000		1	GUIDE, DECK PATH		
4	FC5-0590-000		1	PANEL, BLANKING		
5	FC5-0592-000		1	STOPPER, RIGHT LOWER DOOR		
6	FC5-0593-000		2	HOOK, RIGHT LOWER DOOR		
7	FC5-0594-000		1	GRIP, RIGHT LOWER DOOR		
8	FS5-1595-000		4	BUSHING, VERTICAL ROLLER		
9	FS7-2788-000		4	SPRING, COMPRESSION		
10	FU5-2030-000		2	SPRING, TENSION		
11	FU5-8011-000		1	LABEL, LASER CAUTION		
12	FC5-7413-000		2	SHEET, RIGHT LOWER DOOR		
501	XB4-5400-807		2	SCREW,P,M4X8		

**FIGURE 160**  
**DADF MOUNTING HARDWARE**

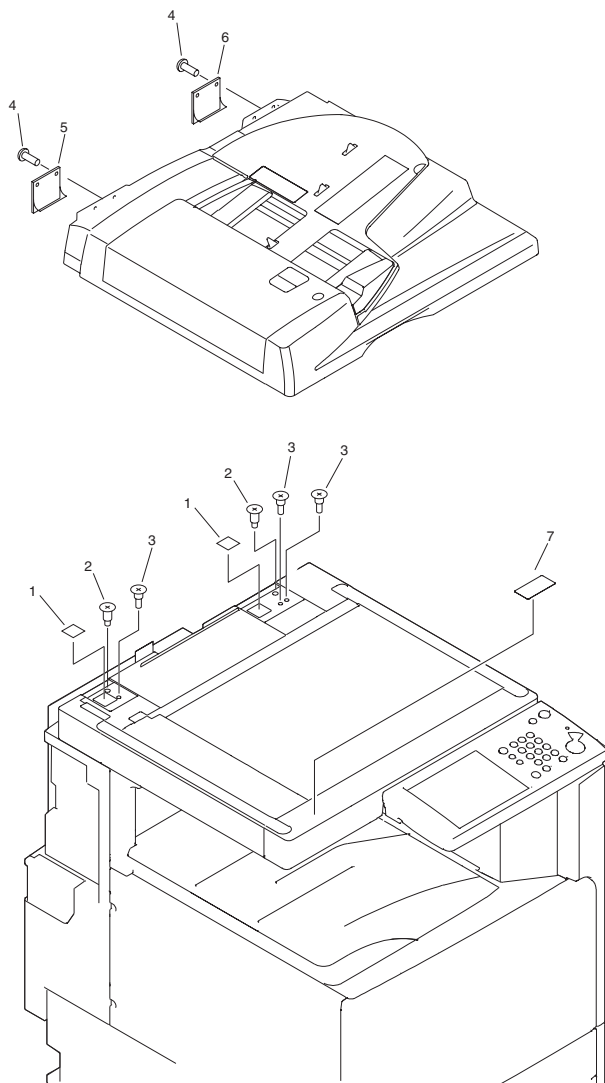
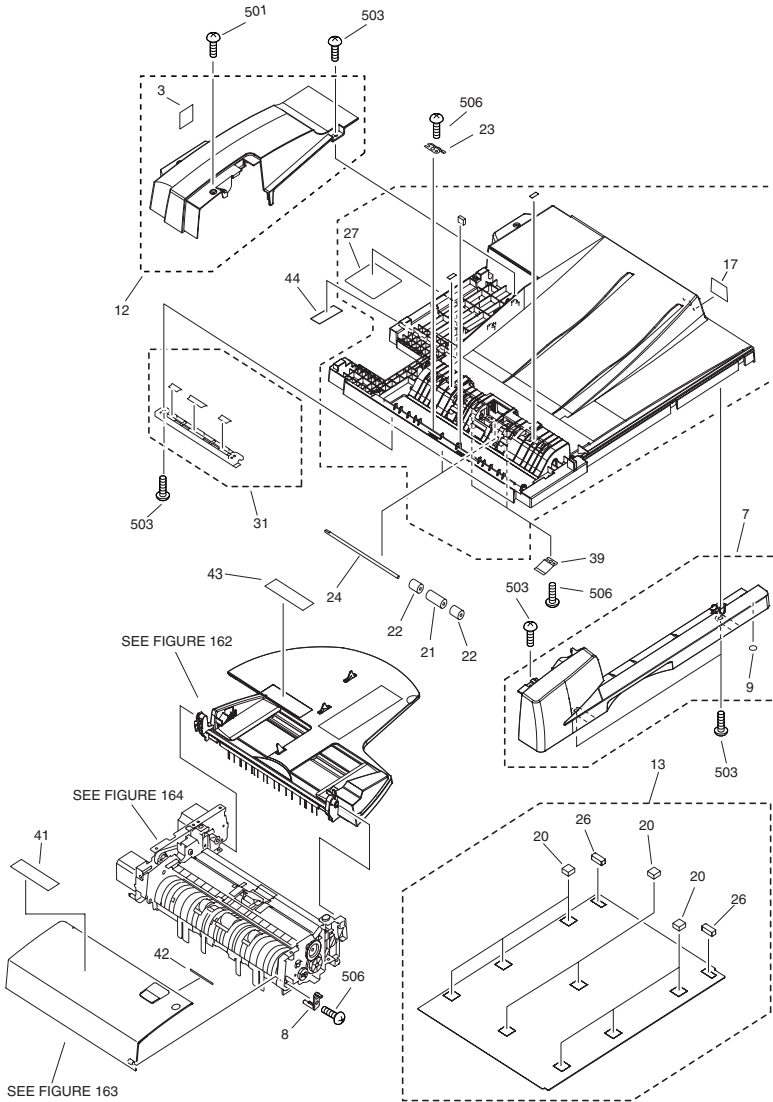


FIGURE & KEY NO.	PARTS NUMBER	R A N K	Q'TY	DESCRIPTION	SERIAL NUMBER/ REMARKS	S V C
Fig.160	NPN		1	DADF MOUNTING HARDWARE	iR2270F&iR2870F&iR4570F&iR3570F&iR2270CA&iR2870 CA&iR3570CA&iR4570 CA	
1	FC5-4427-000		2	SHEET, BLANKING	iR2270F&iR2870F&iR4570F&iR3570F&iR2270CA&iR2870 CA&iR3570CA&iR4570 CA	
2	FU5-9139-000		2	SCREW, STEPPED, 5X6	iR2270F&iR2870F&iR4570F&iR3570F&iR2270CA&iR2870 CA&iR3570CA&iR4570 CA	
3	FU5-9140-000		3	SCREW, STEPPED, M4X10	iR2270F&iR2870F&iR4570F&iR3570F&iR2270CA&iR2870 CA&iR3570CA&iR4570 CA	
4	XA9-0874-000		4	SCREW, M3X8	iR2270F&iR2870F&iR4570F&iR3570F&iR2270CA&iR2870 CA&iR3570CA&iR4570 CA	
5	FB5-9504-000		1	SHEET,HINGE GUIDE,LEFT	iR2270F&iR2870F&iR4570F&iR3570F&iR2270CA&iR2870 CA&iR3570CA&iR4570 CA	
6	FB5-9505-000		1	SHEET, HINGE GUIDE, RIGHT	iR2270F&iR2870F&iR4570F&iR3570F&iR2270CA&iR2870 CA&iR3570CA&iR4570 CA	
7	FC5-4410-000		1	LABEL, CLEANING	iR2270F&iR2870F&iR4570F&iR3570F&iR2270CA&iR2870 CA&iR3570CA&iR4570 CA	

# FIGURE 161 DADF ASSEMBLY



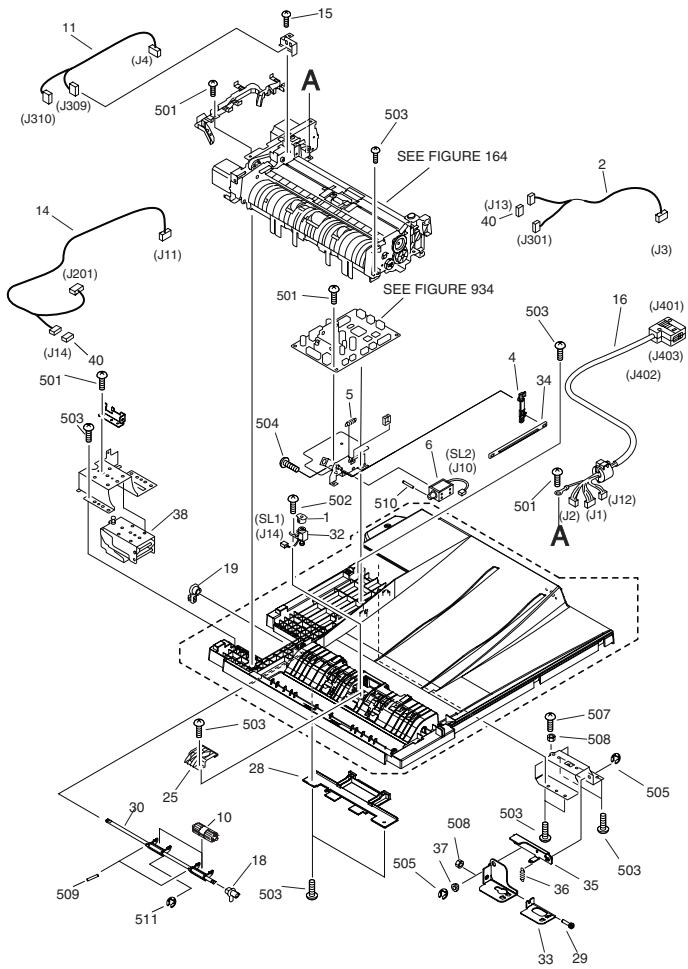




FIGURE & KEY NO.	PARTS NUMBER	RANK	Q'TY	DESCRIPTION	SERIAL NUMBER/REMARKS	SVC
Fig.161	NPN		1	DADF ASSEMBLY	iR2270F&iR2870F&iR4570F&iR3570F&iR2270CA&iR2870 CA&iR3570CA&iR4570 CA	
1	FB5-9410-000		1	STAMPER	iR2270F&iR2870F&iR4570F&iR3570F&iR2270CA&iR2870 CA&iR3570CA&iR4570 CA	
2	FF3-4608-000		1	CABLE, JOINT	iR2270F&iR2870F&iR4570F&iR3570F&iR2270CA&iR2870 CA&iR3570CA&iR4570 CA P12,3,4 J3,13,302,303,304	
3	FC5-4400-000		1	LABEL, HINGE CAUTION	iR2270F&iR2870F&iR4570F&iR3570F&iR2270CA&iR2870 CA&iR3570CA&iR4570 CA	
4	FC5-4279-000		1	LEVER, SOLENOID	iR2270F&iR2870F&iR4570F&iR3570F&iR2270CA&iR2870 CA&iR3570CA&iR4570 CA	
5	FS7-2662-000		1	SPRING, TENSION	iR2270F&iR2870F&iR4570F&iR3570F&iR2270CA&iR2870 CA&iR3570CA&iR4570 CA	
6	FL2-2954-000		1	SOLENOID	iR2270F&iR2870F&iR4570F&iR3570F&iR2270CA&iR2870 CA&iR3570CA&iR4570 CA SL2 J10	
7	FL2-0961-000		1	PANEL, FRONT	iR2270F&iR2870F&iR4570F&iR3570F&iR2270CA&iR2870 CA&iR3570CA&iR4570 CA	
8	FC5-4264-000		1	SHAFT, OPEN/CLOSE	iR2270F&iR2870F&iR4570F&iR3570F&iR2270CA&iR2870 CA&iR3570CA&iR4570 CA	
9	XH9-0126-000		1	SHEET, CLEAR DAMPER	iR2270F&iR2870F&iR4570F&iR3570F&iR2270CA&iR2870 CA&iR3570CA&iR4570 CA	
10	FC6-2778-000		2	ROLLER, DELIVERY REVERSE	iR2270F&iR2870F&iR4570F&iR3570F&iR2270CA&iR2870 CA&iR3570CA&iR4570 CA	
11	FF3-4306-000		1	CABLE, COVER/CLOSE SENSOR	iR2270F&iR2870F&iR4570F&iR3570F&iR2270CA&iR2870 CA&iR3570CA&iR4570 CA P19,10 J4,309,310	

FIGURE & KEY NO.	PARTS NUMBER	RANK	Q'TY	DESCRIPTION	SERIAL NUMBER/REMARKS	SVC
12	FL2-0941-000		1	PANEL, REAR	iR2270F&iR2870F&iR4570F&iR3570F&iR2270CA&iR2870CA&iR3570CA&iR4570CA	
13	FL2-0947-000		1	PANEL, COPYBOARD	iR2270F&iR2870F&iR4570F&iR3570F&iR2270CA&iR2870CA&iR3570CA&iR4570CA	
14	FF3-4607-000		1	CABLE, SOLENOID LED	iR2270F&iR2870F&iR4570F&iR3570F&iR2270CA&iR2870CA&iR3570CA&iR4570CA SL2 J11,14,201	
15	XA9-0894-000		1	SCREW,M3X6	iR2270F&iR2870F&iR4570F&iR3570F&iR2270CA&iR2870CA&iR3570CA&iR4570CA	
16	FG3-3125-000		1	CABLE, INTERFACE	iR2270F&iR2870F&iR4570F&iR3570F&iR2270CA&iR2870CA&iR3570CA&iR4570CA J1,2,12,401,402,403	
17	FC5-4428-000		1	SHEET, BLANKING	iR2270F&iR2870F&iR4570F&iR3570F&iR2270CA&iR2870CA&iR3570CA&iR4570CA	
18	FC5-4280-000		1	BUSHING	iR2270F&iR2870F&iR4570F&iR3570F&iR2270CA&iR2870CA&iR3570CA&iR4570CA	
19	FC5-4281-000		1	BUSHING	iR2270F&iR2870F&iR4570F&iR3570F&iR2270CA&iR2870CA&iR3570CA&iR4570CA	
20	FC5-4295-000		8	SHEET, COPYBOARD COVER, LARGE	iR2270F&iR2870F&iR4570F&iR3570F&iR2270CA&iR2870CA&iR3570CA&iR4570CA	
21	FC5-4286-000		2	ROLLER, PAPER FEED, 1	iR2270F&iR2870F&iR4570F&iR3570F&iR2270CA&iR2870CA&iR3570CA&iR4570CA	
22	FC5-4287-000		4	ROLLER, PAPER FEED, 2	iR2270F&iR2870F&iR4570F&iR3570F&iR2270CA&iR2870CA&iR3570CA&iR4570CA	
23	FB5-9401-000		2	SPRING, LEAF	iR2270F&iR2870F&iR4570F&iR3570F&iR2270CA&iR2870CA&iR3570CA&iR4570CA	

FIGURE & KEY NO.	PARTS NUMBER	R A N K	Q'TY	DESCRIPTION	SERIAL NUMBER/ REMARKS	S V C
24	FC5-4285-000		2	SHAFT, PAPER FEED ROLLER	iR2270F&iR2870F&iR4570F&iR3570F&iR2270CA&iR2870CA&iR3570CA&iR4570CA	
25	FC5-4291-000		1	GUIDE, STAMP	iR2270F&iR2870F&iR4570F&iR3570F&iR2270CA&iR2870CA&iR3570CA&iR4570CA	
26	FC5-4293-000		2	SPONGE, COPYBOARD PANEL	iR2270F&iR2870F&iR4570F&iR3570F&iR2270CA&iR2870CA&iR3570CA&iR4570CA	
27	FC5-4399-000		1	LABEL, HINGE CAUTION	iR2270F&iR2870F&iR4570F&iR3570F&iR2270CA&iR2870CA&iR3570CA&iR4570CA	
28	FC5-4292-000		1	GUIDE, PAPER FEED ROLLER, 2	iR2270F&iR2870F&iR4570F&iR3570F&iR2270CA&iR2870CA&iR3570CA&iR4570CA	
29	FC5-4274-000		1	SCREW, ADJUSTMENT, M4	iR2270F&iR2870F&iR4570F&iR3570F&iR2270CA&iR2870CA&iR3570CA&iR4570CA	
30	FL2-0945-000		1	SHAFT, DELIVERY REVERSE ROLLER	iR2270F&iR2870F&iR4570F&iR3570F&iR2270CA&iR2870CA&iR3570CA&iR4570CA	
31	FL2-0946-000		1	GUIDE, PAPER FEED ROLLER, 1	iR2270F&iR2870F&iR4570F&iR3570F&iR2270CA&iR2870CA&iR3570CA&iR4570CA	
32	FK2-0216-000		1	SOLENOID	iR2270F&iR2870F&iR4570F&iR3570F&iR2270CA&iR2870CA&iR3570CA&iR4570CA SL1 J14	
33	FC5-4273-000		1	PLATE, RIGHT HINGE ADJUSTMENT	iR2270F&iR2870F&iR4570F&iR3570F&iR2270CA&iR2870CA&iR3570CA&iR4570CA	
34	FC5-4278-000		1	LINK, SOLENOID	iR2270F&iR2870F&iR4570F&iR3570F&iR2270CA&iR2870CA&iR3570CA&iR4570CA	
35	FL2-0943-000		1	ARM, RIGHT HINGE	iR2270F&iR2870F&iR4570F&iR3570F&iR2270CA&iR2870CA&iR3570CA&iR4570CA	
36	FS7-2660-000		1	SPRING, TENSION	iR2270F&iR2870F&iR4570F&iR3570F&iR2270CA&iR2870CA&iR3570CA&iR4570CA	

FIGURE & KEY NO.	PARTS NUMBER	RANK	Q'TY	DESCRIPTION	SERIAL NUMBER/REMARKS	SVC
37	FU5-1173-000		1	BUSHING	iR2270F&iR2870F&iR4570F&iR3570F&iR2270CA&iR2870 CA&iR3570CA&iR4570 CA	
38	FB6-2703-040		1	LEFT HINGE UNIT	iR2270F&iR2870F&iR4570F&iR3570F&iR2270CA&iR2870 CA&iR3570CA&iR4570 CA	
39	FC5-4289-000		2	SPRING, LEAF	iR2270F&iR2870F&iR4570F&iR3570F&iR2270CA&iR2870 CA&iR3570CA&iR4570 CA	
40	VS1-7177-002		2	CONNECTOR, SNAP TIGHY, BK	iR2270F&iR2870F&iR4570F&iR3570F&iR2270CA&iR2870 CA&iR3570CA&iR4570 CA	
41	FC5-4402-000		1	LABEL, DOCUMENT PROHIBITION	AB SIZE iR2270F&iR2870F&iR4570F&iR3570F&iR2270CA&iR2870 CA&iR3570CA&iR4570 CA	
42	FC5-4408-000		1	LABEL,DOCUMENT SIZE	iR2270F&iR2870F&iR4570F&iR3570F&iR2270CA&iR2870 CA&iR3570CA&iR4570 CA	
43	FC5-4391-000		1	LABEL, DOCUMENT SIZE	AB SIZE iR2270F&iR2870F&iR4570F&iR3570F&iR2270CA&iR2870 CA&iR3570CA&iR4570 CA	
44	FC5-4396-000		1	LABEL, HINGE CAUTION	AB SIZE iR2270F&iR2870F&iR4570F&iR3570F&iR2270CA&iR2870 CA&iR3570CA&iR4570 CA	
501	XBI-2400-606		5	SCREW,MACH,TRUSS HEAD,M4X6	iR2270F&iR2870F&iR4570F&iR3570F&iR2270CA&iR2870 CA&iR3570CA&iR4570 CA	
502	XB4-5300-806		1	SCREW,P,M3X8	iR2270F&iR2870F&iR4570F&iR3570F&iR2270CA&iR2870 CA&iR3570CA&iR4570 CA	
503	XB4-5401-205		11	SCREW,P,M4X12	iR2270F&iR2870F&iR4570F&iR3570F&iR2270CA&iR2870 CA&iR3570CA&iR4570 CA	
504	XB1-2300-306		2	SCREW,MACH.,TRUSS HEAD,M3X3	iR2270F&iR2870F&iR4570F&iR3570F&iR2270CA&iR2870 CA&iR3570CA&iR4570 CA	

FIGURE & KEY NO.	PARTS NUMBER	R A N K	Q'TY	DESCRIPTION	SERIAL NUMBER/ REMARKS	S V C
505	XD2-1100-502		2	RETAINING RING (E-TYPE)	iR2270F&iR2870F&iR4570F&iR3570F&iR2270CA&iR2870CA&iR3570CA&iR4570CA	
506	XB4-5400-809		4	SCREW,P,M4X8	iR2270F&iR2870F&iR4570F&iR3570F&iR2270CA&iR2870CA&iR3570CA&iR4570CA	
507	XB1-2401-406		2	BINDING HEAD MACHINE SCREW	iR2270F&iR2870F&iR4570F&iR3570F&iR2270CA&iR2870CA&iR3570CA&iR4570CA	
508	XB7-2100-405		2	NUT, HEX M4	iR2270F&iR2870F&iR4570F&iR3570F&iR2270CA&iR2870CA&iR3570CA&iR4570CA	
509	XD3-1200-102		2	SPRING PIN	iR2270F&iR2870F&iR4570F&iR3570F&iR2270CA&iR2870CA&iR3570CA&iR4570CA	
510	XD3-1300-162		1	PIN,SPRING	iR2270F&iR2870F&iR4570F&iR3570F&iR2270CA&iR2870CA&iR3570CA&iR4570CA	
511	XD2-1100-402		1	RETAINING RING (E-TYPE)	iR2270F&iR2870F&iR4570F&iR3570F&iR2270CA&iR2870CA&iR3570CA&iR4570CA	

# FIGURE 162 DOCUMENT TRAY ASSEMBLY

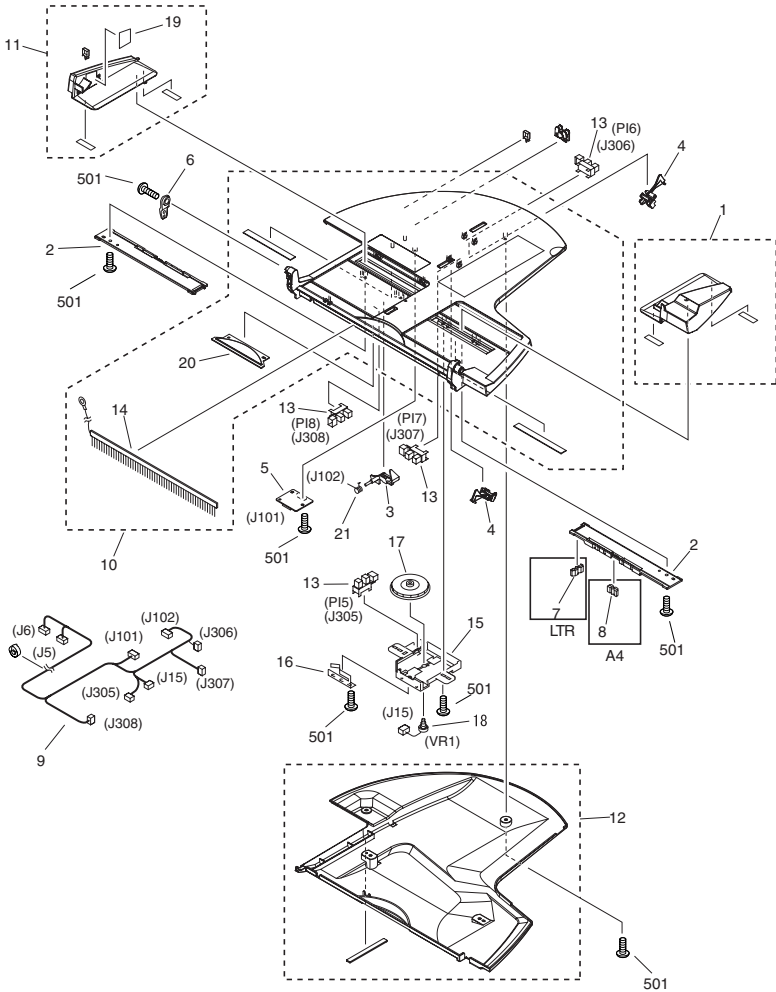


FIGURE & KEY NO.	PARTS NUMBER	R A N K	Q'TY	DESCRIPTION	SERIAL NUMBER/ REMARKS	S V C
Fig.162	FM2-2964-000		1	DOCUMENT TRAY ASSEMBLY	iR2270F&iR2870F&iR4570F&iR3570F&iR2270CA&iR2870 CA&iR3570CA&iR4570 CA	
1	FL2-0951-000		1	GUIDE, DOCUMENT, FRONT	iR2270F&iR2870F&iR4570F&iR3570F&iR2270CA&iR2870 CA&iR3570CA&iR4570 CA	
2	FC5-4305-000		2	RACK, DOCUMENT SIDE GUIDE	iR2270F&iR2870F&iR4570F&iR3570F&iR2270CA&iR2870 CA&iR3570CA&iR4570 CA	
3	FC5-4306-000		1	FLAG, CYCLE END	iR2270F&iR2870F&iR4570F&iR3570F&iR2270CA&iR2870 CA&iR3570CA&iR4570 CA	
4	FC5-4307-000		2	FLAG, DOCUMENT LENGTH SENSOR	iR2270F&iR2870F&iR4570F&iR3570F&iR2270CA&iR2870 CA&iR3570CA&iR4570 CA	
5	FG3-3758-000		1	CONNECTING PCB UNIT	iR2270F&iR2870F&iR4570F&iR3570F&iR2270CA&iR2870 CA&iR3570CA&iR4570 CA J101,102	
6	FC5-4308-000		1	HOLDER, DOCUMENT TRAY	iR2270F&iR2870F&iR4570F&iR3570F&iR2270CA&iR2870 CA&iR3570CA&iR4570 CA	
7	FC5-4421-000		1	RACK	iR2270F&iR2870F&iR4570F&iR3570F&iR2270CA&iR2870 CA&iR3570CA&iR4570 CA LTR	
8	FC5-4422-000		1	RACK	iR2270F&iR2870F&iR4570F&iR3570F&iR2270CA&iR2870 CA&iR3570CA&iR4570 CA A4	
9	FF3-4609-000		1	CABLE, DOCUMENT TRAY	iR2270F&iR2870F&iR4570F&iR3570F&iR2270CA&iR2870 CA&iR3570CA&iR4570 CA P15,6,7,8 VR1 J5,6,101,102,305,306,307,308,15	
10	FL2-0949-000		1	TRAY, DOCUMENT, UPPER	iR2270F&iR2870F&iR4570F&iR3570F&iR2270CA&iR2870 CA&iR3570CA&iR4570 CA	
11	FL2-0950-000		1	GUIDE, DOCUMENT, REAR	iR2270F&iR2870F&iR4570F&iR3570F&iR2270CA&iR2870 CA&iR3570CA&iR4570 CA	

FIGURE & KEY NO.	PARTS NUMBER	R A N K	Q'TY	DESCRIPTION	SERIAL NUMBER/ REMARKS	S V C
12	FL2-0952-000		1	GUIDE, DOCUMENT TRAY, LOWER	iR2270F&iR2870F&iR4570F&iR3570F&iR2270CA&iR2870CA&iR3570CA&iR4570CA	
13	WG8-5624-000		4	IC, PHOTO INTERRUPTER	iR2270F&iR2870F&iR4570F&iR3570F&iR2270CA&iR2870CA&iR3570CA&iR4570CA P15,16,17,18 J305,306,307,308	
14	FB5-9414-000		1	ELIMINATOR, STATIC CHARGE	iR2270F&iR2870F&iR4570F&iR3570F&iR2270CA&iR2870CA&iR3570CA&iR4570CA	
15	FC5-4302-000		1	HOLDER, VOLUME	iR2270F&iR2870F&iR4570F&iR3570F&iR2270CA&iR2870CA&iR3570CA&iR4570CA	
16	FB5-9417-000		1	SPRING, LEAF	iR2270F&iR2870F&iR4570F&iR3570F&iR2270CA&iR2870CA&iR3570CA&iR4570CA	
17	FU5-0633-000		1	GEAR, 62T	iR2270F&iR2870F&iR4570F&iR3570F&iR2270CA&iR2870CA&iR3570CA&iR4570CA	
18	FG3-3757-000		1	VARIABLE RESISTOR UNIT	iR2270F&iR2870F&iR4570F&iR3570F&iR2270CA&iR2870CA&iR3570CA&iR4570CA VR1 J15	
19	FC5-4406-000		1	LABEL, DOCUMENT HEIGHT LIMIT	iR2270F&iR2870F&iR4570F&iR3570F&iR2270CA&iR2870CA&iR3570CA&iR4570CA	
20	FC5-4309-000		1	WINDOW, DOCUMENT TRAY	iR2270F&iR2870F&iR4570F&iR3570F&iR2270CA&iR2870CA&iR3570CA&iR4570CA	
21	FB5-9427-000		1	SPRING, TORSION	iR2270F&iR2870F&iR4570F&iR3570F&iR2270CA&iR2870CA&iR3570CA&iR4570CA	
501	XB4-7300-809		AR	SCREW,TAP,BINDING HEAD,M3X8	iR2270F&iR2870F&iR4570F&iR3570F&iR2270CA&iR2870CA&iR3570CA&iR4570CA	



# FIGURE 163 OPEN/CLOSE PANEL ASSEMBLY

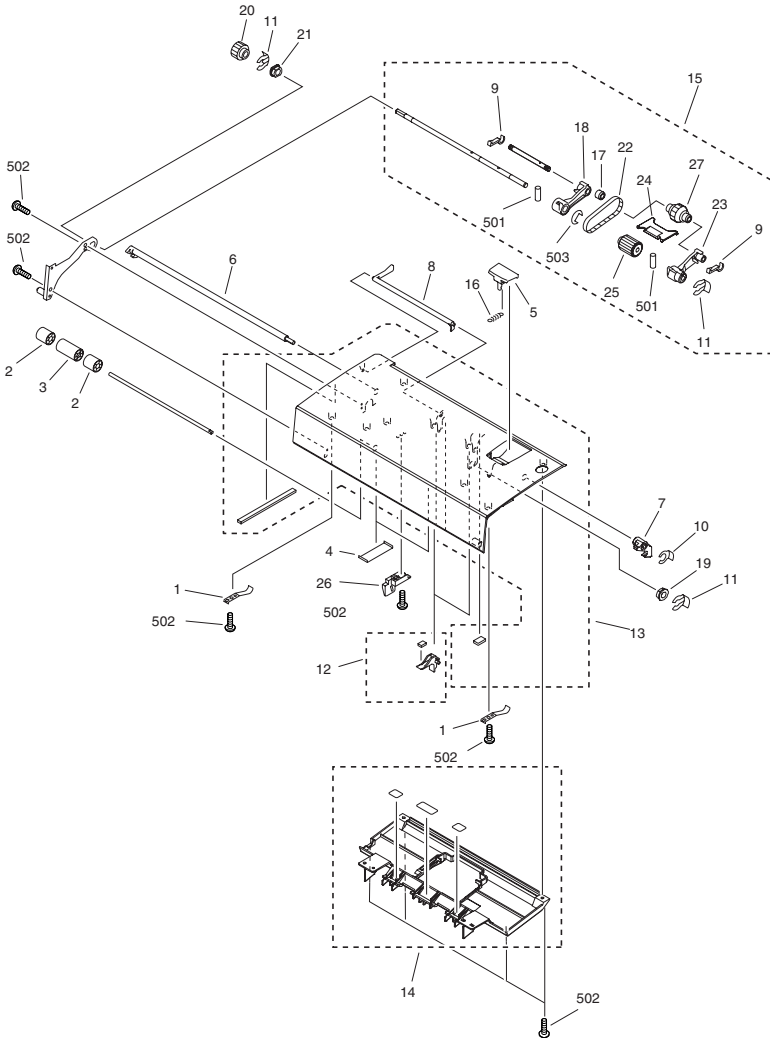
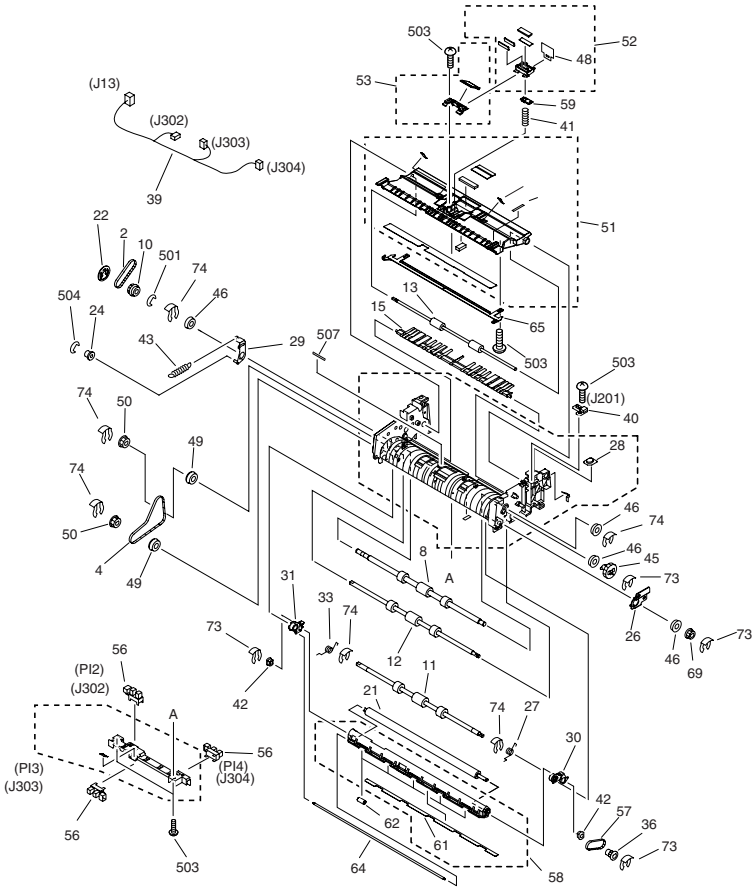


FIGURE & KEY NO.	PARTS NUMBER	R A N K	Q'TY	DESCRIPTION	SERIAL NUMBER/ REMARKS	S V C
Fig.163	FM2-2954-000		1	OPEN/CLOSE PANEL ASSEMBLY	iR2270F&iR2870F&iR4570F&iR3570F&iR2270CA&iR2870 CA&iR3570CA&iR4570 CA	
1	FB5-9434-000		2	SPRING, LEAF	iR2270F&iR2870F&iR4570F&iR3570F&iR2270CA&iR2870 CA&iR3570CA&iR4570 CA	
2	FC5-4323-000		2	ROLLER, REGISTRATION, 1	iR2270F&iR2870F&iR4570F&iR3570F&iR2270CA&iR2870 CA&iR3570CA&iR4570 CA	
3	FC5-4324-000		1	ROLLER, REGISTRATION, 2	iR2270F&iR2870F&iR4570F&iR3570F&iR2270CA&iR2870 CA&iR3570CA&iR4570 CA	
4	FB5-9438-000		2	SPRING, LEAF	iR2270F&iR2870F&iR4570F&iR3570F&iR2270CA&iR2870 CA&iR3570CA&iR4570 CA	
5	FC5-4326-000		1	LEVER, OPEN/CLOSE	iR2270F&iR2870F&iR4570F&iR3570F&iR2270CA&iR2870 CA&iR3570CA&iR4570 CA	
6	FB5-9440-000		1	SHAFT, LATCH	iR2270F&iR2870F&iR4570F&iR3570F&iR2270CA&iR2870 CA&iR3570CA&iR4570 CA	
7	FC5-4327-000		1	LEVER, LATCH	iR2270F&iR2870F&iR4570F&iR3570F&iR2270CA&iR2870 CA&iR3570CA&iR4570 CA	
8	FC5-4329-000		1	FLAG, DOCUMENT SENSOR	iR2270F&iR2870F&iR4570F&iR3570F&iR2270CA&iR2870 CA&iR3570CA&iR4570 CA	
9	FC5-4336-000		2	LEVER, STOP	iR2270F&iR2870F&iR4570F&iR3570F&iR2270CA&iR2870 CA&iR3570CA&iR4570 CA	
10	FC5-4424-000		1	CLIP	iR2270F&iR2870F&iR4570F&iR3570F&iR2270CA&iR2870 CA&iR3570CA&iR4570 CA	
11	FC5-4425-000		3	CLIP	iR2270F&iR2870F&iR4570F&iR3570F&iR2270CA&iR2870 CA&iR3570CA&iR4570 CA	
12	FL2-0948-000		2	SHUTTER	iR2270F&iR2870F&iR4570F&iR3570F&iR2270CA&iR2870 CA&iR3570CA&iR4570 CA	

FIGURE & KEY NO.	PARTS NUMBER	R A N K	Q'TY	DESCRIPTION	SERIAL NUMBER/ REMARKS	S V C
13	FL2-0953-000		1	PANEL, OPEN/CLOSE	iR2270F&iR2870F&iR4570F&iR3570F&iR2270CA&iR2870CA&iR3570CA&iR4570CA	
14	FL2-0955-000		1	GUIDE, OPEN/CLOSE	iR2270F&iR2870F&iR4570F&iR3570F&iR2270CA&iR2870CA&iR3570CA&iR4570CA	
15	FM2-2955-000		1	SEPARATION ROLLER ASSEMBLY	iR2270F&iR2870F&iR4570F&iR3570F&iR2270CA&iR2870CA&iR3570CA&iR4570CA	
16	FS7-2663-000		1	SPRING, TENSION	iR2270F&iR2870F&iR4570F&iR3570F&iR2270CA&iR2870CA&iR3570CA&iR4570CA	
17	FU5-3333-000		1	PULLEY	iR2270F&iR2870F&iR4570F&iR3570F&iR2270CA&iR2870CA&iR3570CA&iR4570CA	
18	FM2-2958-000		1	PICK-UP ARM UNIT,REAR	iR2270F&iR2870F&iR4570F&iR3570F&iR2270CA&iR2870CA&iR3570CA&iR4570CA	
19	FU5-1168-000		1	BUSHING	iR2270F&iR2870F&iR4570F&iR3570F&iR2270CA&iR2870CA&iR3570CA&iR4570CA	
20	FU5-0628-000		1	GEAR, 18T	iR2270F&iR2870F&iR4570F&iR3570F&iR2270CA&iR2870CA&iR3570CA&iR4570CA	
21	FU5-1172-000		1	BUSHING	iR2270F&iR2870F&iR4570F&iR3570F&iR2270CA&iR2870CA&iR3570CA&iR4570CA	
22	XF2-1606-135		1	BELT, TIMING	iR2270F&iR2870F&iR4570F&iR3570F&iR2270CA&iR2870CA&iR3570CA&iR4570CA	
23	FM2-2957-000		1	PICK-UP ARM UNIT,FRONT	iR2270F&iR2870F&iR4570F&iR3570F&iR2270CA&iR2870CA&iR3570CA&iR4570CA	
24	FC5-4341-000		1	GUIDE, SEPARATION ROLLER	iR2270F&iR2870F&iR4570F&iR3570F&iR2270CA&iR2870CA&iR3570CA&iR4570CA	
25	FC6-2784-000		1	ROLLER, PAPER SEPARATION	iR2270F&iR2870F&iR4570F&iR3570F&iR2270CA&iR2870CA&iR3570CA&iR4570CA	

FIGURE & KEY NO.	PARTS NUMBER	RANK	Q'TY	DESCRIPTION	SERIAL NUMBER/ REMARKS	S V C
26	FC5-4338-000		1	COVER, REGISTRATION ADJUSTMENT	iR2270F&iR2870F&iR4570F&iR3570F&iR2270CA&iR2870 CA&iR3570CA&iR4570 CA	
27	FM2-2956-000		1	PICK-UP ROLLER ASSEMBLY	iR2270F&iR2870F&iR4570F&iR3570F&iR2270CA&iR2870 CA&iR3570CA&iR4570 CA	
501	XD3-2200-102		2	PIN, PARALLEL	iR2270F&iR2870F&iR4570F&iR3570F&iR2270CA&iR2870 CA&iR3570CA&iR4570 CA	
502	XB4-5300-806		9	SCREW,TAPPING, TRUSS HEAD M3X8	iR2270F&iR2870F&iR4570F&iR3570F&iR2270CA&iR2870 CA&iR3570CA&iR4570 CA	
503	XD2-1200-502		1	RETAINING RING(E-TRPE)	iR2270F&iR2870F&iR4570F&iR3570F&iR2270CA&iR2870 CA&iR3570CA&iR4570 CA	

# FIGURE 164 PAPER FEEDER ASSEMBLY



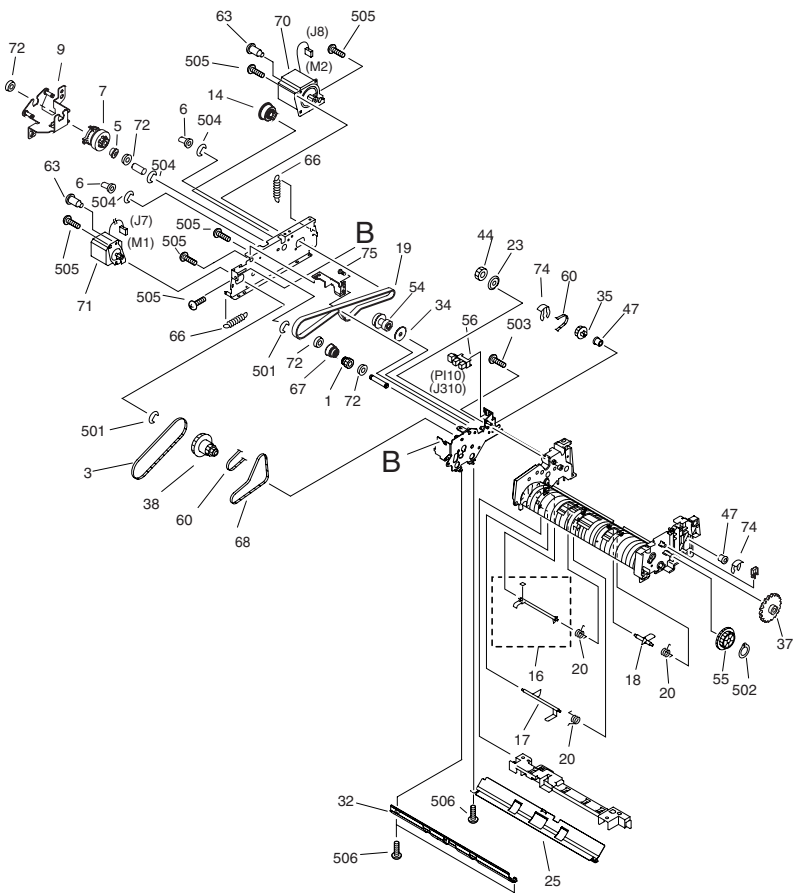


FIGURE & KEY NO.	PARTS NUMBER	R A N K	Q'TY	DESCRIPTION	SERIAL NUMBER/ REMARKS	S V C
Fig.164	FM2-2959-000		1	PAPER FEEDER ASSEMBLY	iR2270F&iR2870F&iR4570F&iR3570F&iR2270CA&iR2870 CA&iR3570CA&iR4570 CA	
1	FC6-2785-000		1	GEAR, 17T	iR2270F&iR2870F&iR4570F&iR3570F&iR2270CA&iR2870 CA&iR3570CA&iR4570 CA	
2	XF2-1605-940		1	BELT, TIMING	iR2270F&iR2870F&iR4570F&iR3570F&iR2270CA&iR2870 CA&iR3570CA&iR4570 CA	
3	XF2-1607-440		1	BELT, TIMING	iR2270F&iR2870F&iR4570F&iR3570F&iR2270CA&iR2870 CA&iR3570CA&iR4570 CA	
4	XF9-0727-000		1	BELT, TIMING	iR2270F&iR2870F&iR4570F&iR3570F&iR2270CA&iR2870 CA&iR3570CA&iR4570 CA	
5	FC6-2781-000		1	PULLEY, 28T	iR2270F&iR2870F&iR4570F&iR3570F&iR2270CA&iR2870 CA&iR3570CA&iR4570 CA	
6	FC6-2791-000		2	TENSIONER	iR2270F&iR2870F&iR4570F&iR3570F&iR2270CA&iR2870 CA&iR3570CA&iR4570 CA	
7	FH6-5128-000		1	CLUTCH	iR2270F&iR2870F&iR4570F&iR3570F&iR2270CA&iR2870 CA&iR3570CA&iR4570 CA	
8	FC5-4354-000		1	ROLLER, REGISTRATION	iR2270F&iR2870F&iR4570F&iR3570F&iR2270CA&iR2870 CA&iR3570CA&iR4570 CA	
9	FL2-2952-000		1	CLUTCH	iR2270F&iR2870F&iR4570F&iR3570F&iR2270CA&iR2870 CA&iR3570CA&iR4570 CA	
10	FB5-9466-000		1	PULLEY, ONE-WAY	iR2270F&iR2870F&iR4570F&iR3570F&iR2270CA&iR2870 CA&iR3570CA&iR4570 CA	
11	FB5-9467-000		1	ROLLER, PAPER FEEDER, 1	iR2270F&iR2870F&iR4570F&iR3570F&iR2270CA&iR2870 CA&iR3570CA&iR4570 CA	
12	FB5-9468-000		1	ROLLER, PAPER FEEDER, 2	iR2270F&iR2870F&iR4570F&iR3570F&iR2270CA&iR2870 CA&iR3570CA&iR4570 CA	

FIGURE & KEY NO.	PARTS NUMBER	R A N K	Q'TY	DESCRIPTION	SERIAL NUMBER/ REMARKS	S V C
13	FB5-9469-000		1	ROLLER, PAPER DELIVERY	iR2270F&iR2870F&iR4570F&iR3570F&iR2270CA&iR2870CA&iR3570CA&iR4570CA	
14	FM2-2961-000		1	ESTRANGEMENT CLT ASSEMBLY	iR2270F&iR2870F&iR4570F&iR3570F&iR2270CA&iR2870CA&iR3570CA&iR4570CA	
15	FB5-9471-009		1	DEFLECTOR, PAPER	iR2770F&iR2870F&iR4570F&iR3570F&iR2270CA&iR2870CA&iR3570CA&iR4570CA	
16	FL2-0965-000		1	FLAG, REGISTRATION SENSOR	iR2270F&iR2870F&iR4570F&iR3570F&iR2270CA&iR2870CA&iR3570CA&iR4570CA	
17	FC5-4358-000		1	FLAG, READ SENSOR	iR2270F&iR2870F&iR4570F&iR3570F&iR2270CA&iR2870CA&iR3570CA&iR4570CA	
18	FC5-4359-000		1	FLAG, PAPER DELIVERY SENSOR	iR2270F&iR2870F&iR4570F&iR3570F&iR2270CA&iR2870CA&iR3570CA&iR4570CA	
19	XF2-3616-660		1	BELT	iR2270F&iR2870F&iR4570F&iR3570F&iR2270CA&iR2870CA&iR3570CA&iR4570CA	
20	FB5-9477-000		3	SPRING, TORSION	iR2270F&iR2870F&iR4570F&iR3570F&iR2270CA&iR2870CA&iR3570CA&iR4570CA	
21	FC5-2804-000		1	ROLLER, PLATEN	iR2270F&iR2870F&iR4570F&iR3570F&iR2270CA&iR2870CA&iR3570CA&iR4570CA	
22	FB6-2705-000		1	RING,E,FRANGE	iR2270F&iR2870F&iR4570F&iR3570F&iR2270CA&iR2870CA&iR3570CA&iR4570CA	
23	FC5-4353-000		1	FLANGE, BELT	iR2270F&iR2870F&iR4570F&iR3570F&iR2270CA&iR2870CA&iR3570CA&iR4570CA	
24	FC5-4356-000		1	PULLEY, TENSIONER	iR2270F&iR2870F&iR4570F&iR3570F&iR2270CA&iR2870CA&iR3570CA&iR4570CA	
25	FC5-4363-000		1	GUIDE, PLATEN ROLLER, RIGHT	iR2270F&iR2870F&iR4570F&iR3570F&iR2270CA&iR2870CA&iR3570CA&iR4570CA	



FIGURE & KEY NO.	PARTS NUMBER	R A N K	Q'TY	DESCRIPTION	SERIAL NUMBER/ REMARKS	S V C
26	FC5-4376-000		1	GUIDE, PLATEN	iR2270F&iR2870F&iR4570F&iR3570F&iR2270CA&iR2870CA&iR3570CA&iR4570CA	
27	FC5-4381-000		1	SPRING, TORSION	iR2270F&iR2870F&iR4570F&iR3570F&iR2270CA&iR2870CA&iR3570CA&iR4570CA	
28	FB5-9460-009		1	WINDOW, LED	iR2270F&iR2870F&iR4570F&iR3570F&iR2270CA&iR2870CA&iR3570CA&iR4570CA	
29	FL2-0958-000		1	PLATE, TENSIONER	iR2270F&iR2870F&iR4570F&iR3570F&iR2270CA&iR2870CA&iR3570CA&iR4570CA	
30	FL2-0959-000		1	ARM, SWING BUSHING, FRONT	iR2270F&iR2870F&iR4570F&iR3570F&iR2270CA&iR2870CA&iR3570CA&iR4570CA	
31	FL2-0960-000		1	ARM, SWING BUSHING, REAR	iR2270F&iR2870F&iR4570F&iR3570F&iR2270CA&iR2870CA&iR3570CA&iR4570CA	
32	FC5-4362-000		1	GUIDE, PLATEN ROLLER, LEFT	iR2270F&iR2870F&iR4570F&iR3570F&iR2270CA&iR2870CA&iR3570CA&iR4570CA	
33	FC5-4382-000		1	SPRING, TORSION	iR2270F&iR2870F&iR4570F&iR3570F&iR2270CA&iR2870CA&iR3570CA&iR4570CA	
34	FC6-2797-000		1	FLANGE	iR2270F&iR2870F&iR4570F&iR3570F&iR2270CA&iR2870CA&iR3570CA&iR4570CA	
35	FU5-3147-000		1	PULLEY, 28T	iR2270F&iR2870F&iR4570F&iR3570F&iR2270CA&iR2870CA&iR3570CA&iR4570CA	
36	FU5-3148-000		1	PULLEY, 18T	iR2270F&iR2870F&iR4570F&iR3570F&iR2270CA&iR2870CA&iR3570CA&iR4570CA	
37	FC6-2798-000		1	KNOB, JAM CLEARING	iR2270F&iR2870F&iR4570F&iR3570F&iR2270CA&iR2870CA&iR3570CA&iR4570CA	
38	FU5-3150-000		1	PULLEY, 56T/29T/21T	iR2270F&iR2870F&iR4570F&iR3570F&iR2270CA&iR2870CA&iR3570CA&iR4570CA	

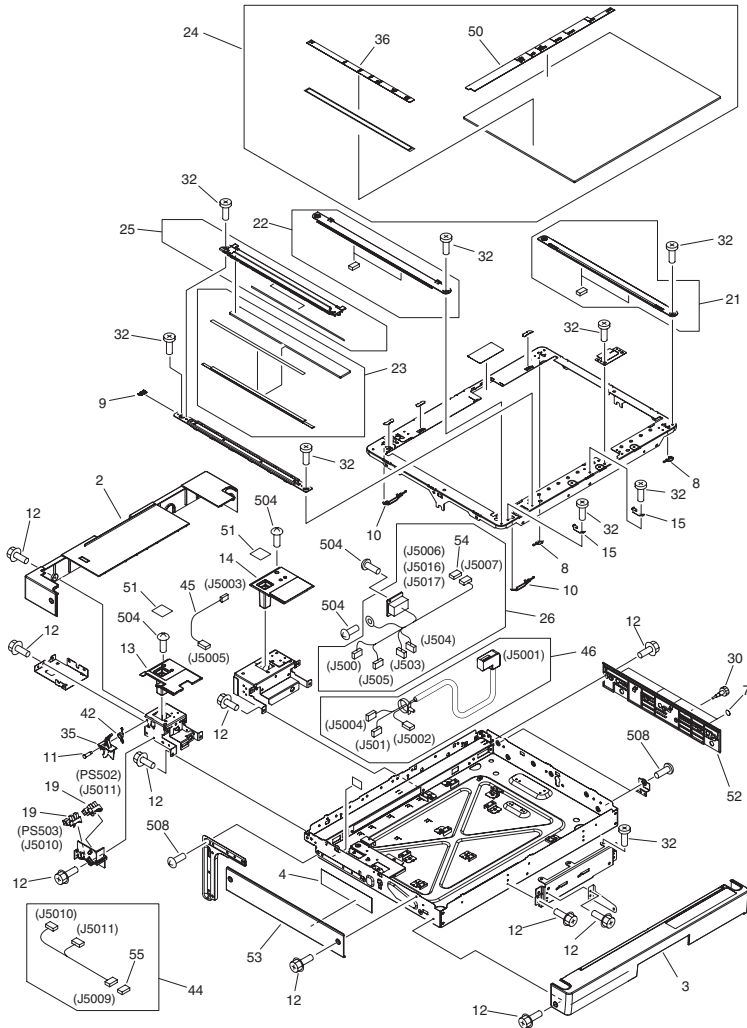
FIGURE & KEY NO.	PARTS NUMBER	R A N K	Q'TY	DESCRIPTION	SERIAL NUMBER/ REMARKS	S V C
39	FF3-4303-000		1	CABLE, PATH SENSOR	iR2270F&iR2870F&iR4570F&iR3570F&iR2270CA&iR2870CA&iR3570CA&iR4570CA J13,302,303,304	
40	FG3-3303-000		1	LED PCB UNIT	iR2270F&iR2870F&iR4570F&iR3570F&iR2270CA&iR2870CA&iR3570CA&iR4570CA J201	
41	FU5-2364-000		1	SPRING, COMPRESSION	iR2270F&iR2870F&iR4570F&iR3570F&iR2270CA&iR2870CA&iR3570CA&iR4570CA	
42	FU5-1171-000		2	BUSHING	iR2270F&iR2870F&iR4570F&iR3570F&iR2270CA&iR2870CA&iR3570CA&iR4570CA	
43	FS7-2666-000		1	SPRING, TENSION	iR2270F&iR2870F&iR4570F&iR3570F&iR2270CA&iR2870CA&iR3570CA&iR4570CA	
44	FU5-0629-000		1	GEAR, 19T	iR2270F&iR2870F&iR4570F&iR3570F&iR2270CA&iR2870CA&iR3570CA&iR4570CA	
45	FU5-0630-000		1	GEAR, 30T	iR2270F&iR2870F&iR4570F&iR3570F&iR2270CA&iR2870CA&iR3570CA&iR4570CA	
46	FU5-1169-000		4	BUSHING	iR2270F&iR2870F&iR4570F&iR3570F&iR2270CA&iR2870CA&iR3570CA&iR4570CA	
47	FU5-1170-000		2	BUSHING	iR2270F&iR2870F&iR4570F&iR3570F&iR2270CA&iR2870CA&iR3570CA&iR4570CA	
48	FC5-4368-000		1	PAD, PAPER SEPARATION	iR2270F&iR2870F&iR4570F&iR3570F&iR2270CA&iR2870CA&iR3570CA&iR4570CA	
49	XG9-0507-000		2	BEARING, BALL, MF128ZZ	iR2270F&iR2870F&iR4570F&iR3570F&iR2270CA&iR2870CA&iR3570CA&iR4570CA	
50	FU5-3146-000		2	PULLEY, 27T	iR2270F&iR2870F&iR4570F&iR3570F&iR2270CA&iR2870CA&iR3570CA&iR4570CA	

FIGURE & KEY NO.	PARTS NUMBER	RANK	Q'TY	DESCRIPTION	SERIAL NUMBER/REMARKS	SVC
51	FL2-0962-000		1	GUIDE, PAPER SEPARATION	iR2270F&iR2870F&iR4570F&iR3570F&iR2270CA&iR2870 CA&iR3570CA&iR4570 CA	
52	FL2-0963-000		1	HOLDER, SEPARATION PAD,1	iR2270F&iR2870F&iR4570F&iR3570F&iR2270CA&iR2870 CA&iR3570CA&iR4570 CA	
53	FL2-0964-000		1	HOLDER, SEPARATION PAD, 2	iR2270F&iR2870F&iR4570F&iR3570F&iR2270CA&iR2870 CA&iR3570CA&iR4570 CA	
54	FU5-3337-000		1	PULLEY, 28T,GEAR, 15T	iR2270F&iR2870F&iR4570F&iR3570F&iR2270CA&iR2870 CA&iR3570CA&iR4570 CA	
55	FU6-0673-000		1	GEAR, 54T/39T	iR2270F&iR2870F&iR4570F&iR3570F&iR2270CA&iR2870 CA&iR3570CA&iR4570 CA	
56	WG8-5624-000		4	IC, PHOTO INTERRUPTER	iR2270F&iR2870F&iR4570F&iR3570F&iR2270CA&iR2870 CA&iR3570CA&iR4570 CA PI2,3,4 J302,303,304	
57	XF2-1604-435		1	BELT, TIMING	iR2270F&iR2870F&iR4570F&iR3570F&iR2270CA&iR2870 CA&iR3570CA&iR4570 CA	
58	FL2-0968-000		1	HOLDER, GUIDE ROLLER	iR2270F&iR2870F&iR4570F&iR3570F&iR2270CA&iR2870 CA&iR3570CA&iR4570 CA	
59	FC5-4367-000		1	MOUNT, SPRING, PAD	iR2270F&iR2870F&iR4570F&iR3570F&iR2270CA&iR2870 CA&iR3570CA&iR4570 CA	
60	FS2-9010-000		1	BELT, TIMING	iR2270F&iR2870F&iR4570F&iR3570F&iR2270CA&iR2870 CA&iR3570CA&iR4570 CA	
61	FC5-4373-000		1	SHEET, PAPER FEED	iR2270F&iR2870F&iR4570F&iR3570F&iR2270CA&iR2870 CA&iR3570CA&iR4570 CA	
62	FC5-4374-000		5	ROLLER, GUIDE	iR2270F&iR2870F&iR4570F&iR3570F&iR2270CA&iR2870 CA&iR3570CA&iR4570 CA	

FIGURE & KEY NO.	PARTS NUMBER	R A N K	Q'TY	DESCRIPTION	SERIAL NUMBER/ REMARKS	S V C
63	FS1-9010-000		2	SCREW, STEPPED, M3	iR2270F&iR2870F&iR4570F&iR3570F&iR2270CA&iR2870CA&iR3570CA&iR4570CA	
64	FC5-4372-000		1	SHAFT, GUIDE ROLLER	iR2270F&iR2870F&iR4570F&iR3570F&iR2270CA&iR2870CA&iR3570CA&iR4570CA	
65	FC5-4365-000		1	PLATE, SEPARATION GUIDE	iR2270F&iR2870F&iR4570F&iR3570F&iR2270CA&iR2870CA&iR3570CA&iR4570CA	
66	FS7-2664-000		2	SPRING, TENSION	iR2270F&iR2870F&iR4570F&iR3570F&iR2270CA&iR2870CA&iR3570CA&iR4570CA	
67	FU5-3336-000		1	PULLEY,36T/28T	iR2270F&iR2870F&iR4570F&iR3570F&iR2270CA&iR2870CA&iR3570CA&iR4570CA	
68	XF2-1607-640		1	BELT, TIMING	iR2270F&iR2870F&iR4570F&iR3570F&iR2270CA&iR2870CA&iR3570CA&iR4570CA	
69	FU5-3149-000		1	PULLEY, 23T	iR2270F&iR2870F&iR4570F&iR3570F&iR2270CA&iR2870CA&iR3570CA&iR4570CA	
70	FH5-1129-000		1	MOTOR, STEPPING, DC	iR2270F&iR2870F&iR4570F&iR3570F&iR2270CA&iR2870CA&iR3570CA&iR4570CA M2 J8	
71	FH5-1128-000		1	MOTOR, STEPPING, DC	iR2270F&iR2870F&iR4570F&iR3570F&iR2270CA&iR2870CA&iR3570CA&iR4570CA M1 J7	
72	FU5-1172-000		4	BUSHING	iR2270F&iR2870F&iR4570F&iR3570F&iR2270CA&iR2870CA&iR3570CA&iR4570CA	
73	FC5-4424-000		4	CLIP	iR2270F&iR2870F&iR4570F&iR3570F&iR2270CA&iR2870CA&iR3570CA&iR4570CA	
74	FC5-4425-000		8	CLIP	iR2270F&iR2870F&iR4570F&iR3570F&iR2270CA&iR2870CA&iR3570CA&iR4570CA	
75	XA9-0894-000		1	SCREW,M3X6	iR2270F&iR2870F&iR4570F&iR3570F&iR2270CA&iR2870CA&iR3570CA&iR4570CA	

FIGURE & KEY NO.	PARTS NUMBER	R A N K	Q'TY	DESCRIPTION	SERIAL NUMBER/ REMARKS	S V C
501	XD2-1100-642		3	RING,E	iR2270F&iR2870F&iR4570F&iR3570F&iR2270CA&iR2870 CA&iR3570CA&iR4570 CA	
502	XD2-2100-502		1	GRIP RING	iR2270F&iR2870F&iR4570F&iR3570F&iR2270CA&iR2870 CA&iR3570CA&iR4570 CA	
503	XB4-5400-809		4	SCREW, TAP, BINDING HEAD, M3X8	iR2270F&iR2870F&iR4570F&iR3570F&iR2270CA&iR2870 CA&iR3570CA&iR4570 CA	
504	XD2-1100-322		4	RETAINING RING (E-TYPE)	iR2270F&iR2870F&iR4570F&iR3570F&iR2270CA&iR2870 CA&iR3570CA&iR4570 CA	
505	XB1-2400-606		6	SCREW, MACHINE MX6	iR2270F&iR2870F&iR4570F&iR3570F&iR2270CA&iR2870 CA&iR3570CA&iR4570 CA	
506	XB1-2300-306		2	SCREW,MACH.,TRUSS HEAD,M3X3	iR2270F&iR2870F&iR4570F&iR3570F&iR2270CA&iR2870 CA&iR3570CA&iR4570 CA	
507	XD3-2200-102		1	PIN, PARALLEL	iR2270F&iR2870F&iR4570F&iR3570F&iR2270CA&iR2870 CA&iR3570CA&iR4570 CA	

# FIGURE 210 READER ASSEMBLY



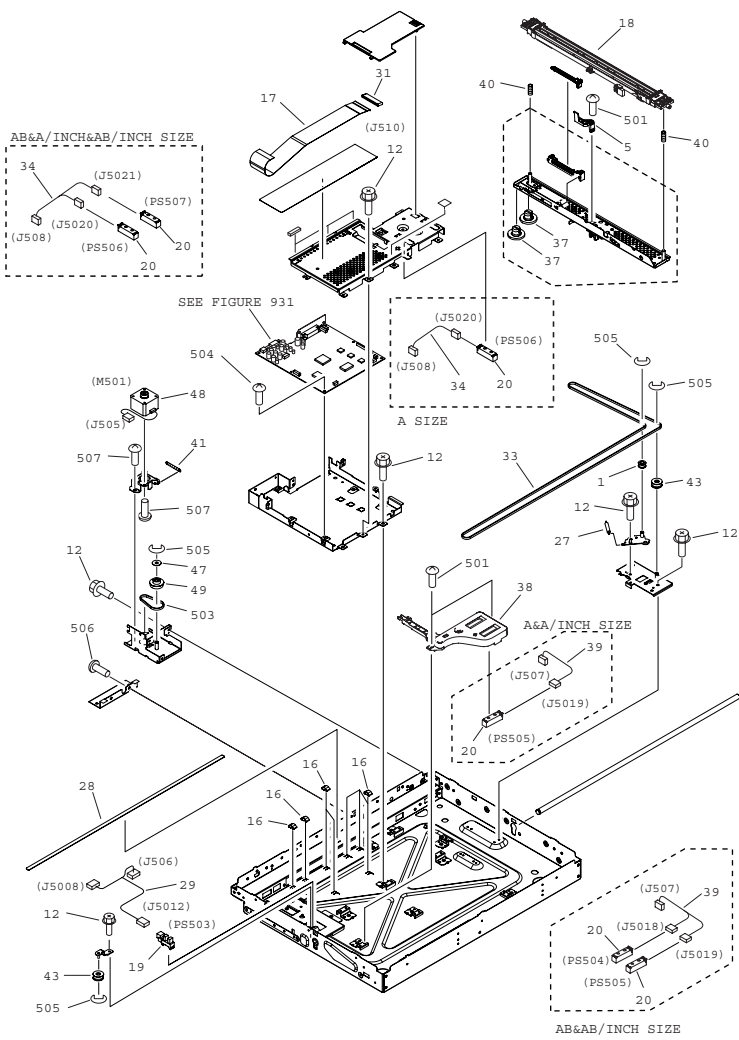


FIGURE & KEY NO.	PARTS NUMBER	RANK	Q'TY	DESCRIPTION	SERIAL NUMBER/REMARKS	SVC
Fig.210	NPN		RF	READER ASSEMBLY		
1	FB6-1321-000		1	PULLEY, TENSION		
2	FC6-2759-000		1	PANEL, READER, REAR		
3	FC6-2765-000		1	PANEL, READER, FRONT		
4	FL2-2999-000		1	LABEL, SERVICE		
5	FC5-0792-000		1	RETAINER, BELT		
7	FC5-0166-000		4	SEAL, BLANKING		
8	FC5-1426-000		2	GUIDE, CARRIAGE, RIGHT		
9	FC5-1427-000		1	COVER, EDGE		
10	FC5-1439-000		2	GUIDE, CARRIAGE, LEFT		
11	FS5-9227-020		1	SCREW, STEPPED, M4		
12	XA9-1386-000		69	SCREW, RS, M3X8		
13	FC5-1446-000		1	PANEL, DF SUPPORT, LEFT		
14	FC5-1447-000		1	PANEL, DF SUPPORT, RIGHT		
15	FC5-1473-000		2	RETAINER, GLASS		
16	FC5-1499-000		7	PLATE, GROUNDING		
17	FH2-7174-000		1	CABLE, FLEXIBLE FLAT		
18	FL2-2997-000		1	CONTACT IMAGE SENSOR UNIT		
19	WG8-5624-000		3	IC, PHOTO INTERRUPTER		
20	FH7-7569-000		4	DOCUMENT SIZE SENSOR UNIT		
21	FL2-0127-000		1	RETAINER, GLASS, RIGHT		
22	FL2-0128-000		1	RETAINER, GLASS, LEFT		
23	FL2-2942-000		1	GLASS, READER		
24	FL2-2944-000		1	GLASS, COPYBOARD	A INCH SIZE	
24	FL2-2945-000		1	GLASS, COPYBOARD	A SIZE	
24	FL2-2946-000		1	GLASS, COPYBOARD	AB INCH SIZE	
24	FL2-2943-000		1	GLASS, COPYBOARD	AB SIZE	
25	FL2-0279-000		1	GUIDE, PAPER		
26	FG3-3152-000		1	CABLE, READER		
27	FU5-2103-000		1	SPRING, TENSION		
28	FC5-1492-000		1	PLATE, RAIL		
29	FG3-3153-000		1	CABLE, HOME POSITION SENSOR		



FIGURE & KEY NO.	PARTS NUMBER	R A N K	Q'TY	DESCRIPTION	SERIAL NUMBER/ REMARKS	S V C
30	FU5-9006-000		1	SCREW, FIXED, M4		
31	FH7-9334-000		1	CORE, FERRITE		
32	XA9-1415-000		15	SCREW, FLAT HEAD, M4		
33	XF9-0743-000		1	BELT, TIMING		
34	FG3-3795-000		1	CABLE, SIZE DETECT	A SIZE	
34	FG3-3768-000		1	CABLE, SIZE DETECT	AB SIZE&A INCH SIZE&AB INCH SIZE	
35	FC6-2763-000		1	FLAG, SENSOR		
36	FU5-8003-000		1	PLATE, WIDTH INDEX	A INCH SIZE	
36	FU5-8005-000		1	PLATE, WIDTH INDEX	A SIZE	
36	FU5-8007-000		1	PLATE, WIDTH INDEX	AB INCH SIZE	
36	FU5-8001-000		1	PLATE, WIDTH INDEX	AB SIZE	
37	FB3-2411-000		2	PIN, SLIDE		
38	FC6-2764-000		1	HOLDER, SIZE DETECT		
39	FG3-3793-000		1	CABLE, MAIN SIZE DETECT	A INCH SIZE	
39	FG3-3794-000		1	CABLE, MAIN SIZE DETECT	A SIZE	
39	FG3-3767-000		1	CABLE, MAIN SIZE DETECT	AB SIZE&AB INCH SIZE	
40	FU6-2236-000		2	SPRING, OMPRESSION		
41	FU5-2105-000		1	SPRING, TENSION		
42	FU5-2057-000		1	SPRING, TORSION		
43	FU5-3328-000		2	PULLEY,FOLLOWER		
44	FG3-3153-000		1	CABLE, HOME POSITION SENSOR		
45	FG3-3158-000		1	CABLE, HEATER CONNECTING		
46	FG3-3766-000		1	CABLE, POWER SUPPLY		
47	FB6-1339-000		1	FLANGE		
48	FH5-1028-000		1	MOTOR, STEPPING, DC		
49	FU5-3030-000		1	PULLEY, 24T/41T		
50	FU5-8551-000		1	PLATE, LENGTH INDEX	A INCH SIZE	
50	FU5-8552-000		1	PLATE, LENGTH INDEX	A SIZE	
50	FU5-8553-000		1	PLATE, LENGTH INDEX	AB INCH SIZE	
50	FU5-8550-000		1	PLATE, LENGTH INDEX	AB SIZE	
51	FC5-4427-000		1	SEAT, BLANKING		
52	FC5-1442-000		1	PANEL, READER, RIGHT		

FIGURE & KEY NO.	PARTS NUMBER	R A N K	Q'TY	DESCRIPTION	SERIAL NUMBER/ REMARKS	S V C
53	FC5-1443-000		1	PANEL, READER, LEFT		
54	VS1-7177-004		1	CONNECTOR, SNAP TIGHT, BK		
55	VS1-7177-006		1	CONNECTOR, SNAP TIGHT, BK		
501	XB2-8300-805		1	SCREW, MACH, PAN HEAD, M3X8		
503	XF2-4606-740		1	BELT, TIMING, COGGED		
504	XB1-2300-605		3	SCREW, MACHINE M3X6		
505	XD2-1100-502		4	RETAINING RING (E-TYPE)		
507	XB6-7300-407		4	SCREW, TP, M3X4		

FIGURE 250  
MAIN DRIVE ASSEMBLY

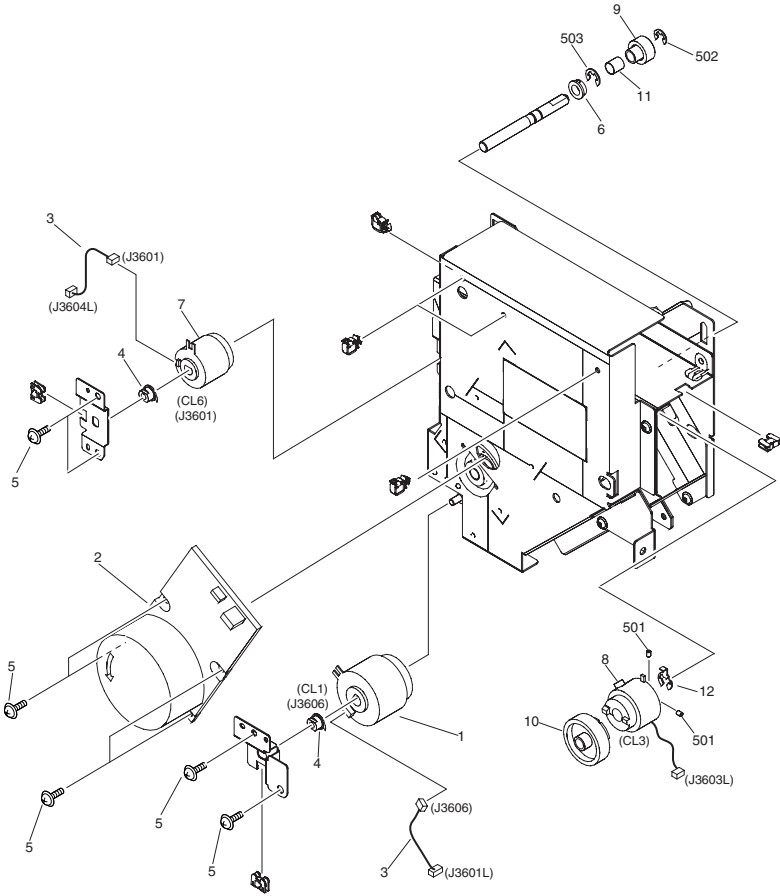


FIGURE & KEY NO.	PARTS NUMBER	R A N K	Q'TY	DESCRIPTION	SERIAL NUMBER/ REMARKS	S V C
Fig.250	FM2-0241-000		1	MAIN DRIVE ASSEMBLY		
1	FH6-5076-000		1	CLUTCH, ELECTRO MAGNETIC	CL1 J3606	
2	FK2-0385-000		1	MOTOR, DC		
3	FM2-2842-000		2	CABLE, CLUTCH	J3606,3601L,3601,3604L	
4	FS5-1947-000		2	BUSHING		
5	XA9-1164-000		8	SCREW, RS, M3X6.5		
6	FA9-2112-000		1	BUSHING, PL		
7	FH6-5005-000		1	CLUTCH, ELECTRO MAGNETIC	CL6 J3601	
8	FK2-0404-000		1	CLUTCH, ELECTRO MAGNETIC	CL3 J3603L	
9	FU5-0087-000		1	GEAR, 20T		
10	FU5-0098-000		1	GEAR, 43T		
11	FU5-2079-000		1	SPRING		
12	FB5-5039-000		1	RING, E		
501	XB6-2300-409		2	SETSCREW, M3X4		
502	XD2-1100-502		1	RETAINING RING(E-TYPE)		
503	XD2-1100-642		1	RING, E		

FIGURE 251  
MAIN DRIVE ASSEMBLY

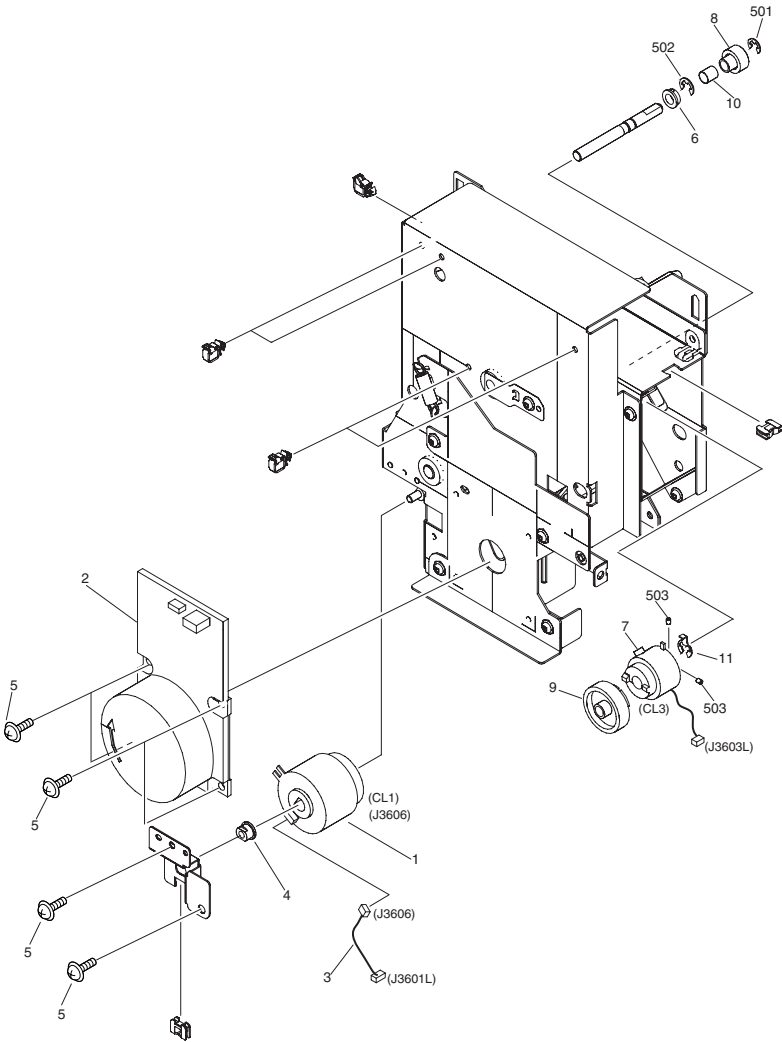


FIGURE & KEY NO.	PARTS NUMBER	RANK	Q'TY	DESCRIPTION	SERIAL NUMBER/REMARKS	SVC
Fig.251	FM2-1772-000		1	MAIN DRIVE ASSEMBLY		
1	FH6-5076-000		1	CLUTCH, ELECTRO MAGNETIC	CL1 J3606	
2	FK2-0362-000		1	MOTOR, DC		
3	FM2-2842-000		1	CABLE, CLUTCH	J3606,3601L	
4	FS5-1947-000		1	BUSHING		
5	XA9-1164-000		6	SCREW, RS, M3X6.5		
6	FA9-2112-000		1	BUSHING, PL		
7	FK2-0404-000		1	CLUTCH, ELECTRO MAGNETIC	CL3 3603L	
8	FU5-0087-000		1	GEAR, 20T		
9	FU5-0098-000		1	GEAR, 43T		
10	FU5-2079-000		1	SPRING		
11	FB5-5039-000		1	RING, E		
501	XD2-1100-502		1	RETAINING RING(E-TYPE)		
502	XD2-1100-642		1	RING, E		
503	XB6-2300-409		2	SETSCREW, M3X4		

FIGURE 261  
FIXING PAPER DELIVERY DRIVE ASS'Y

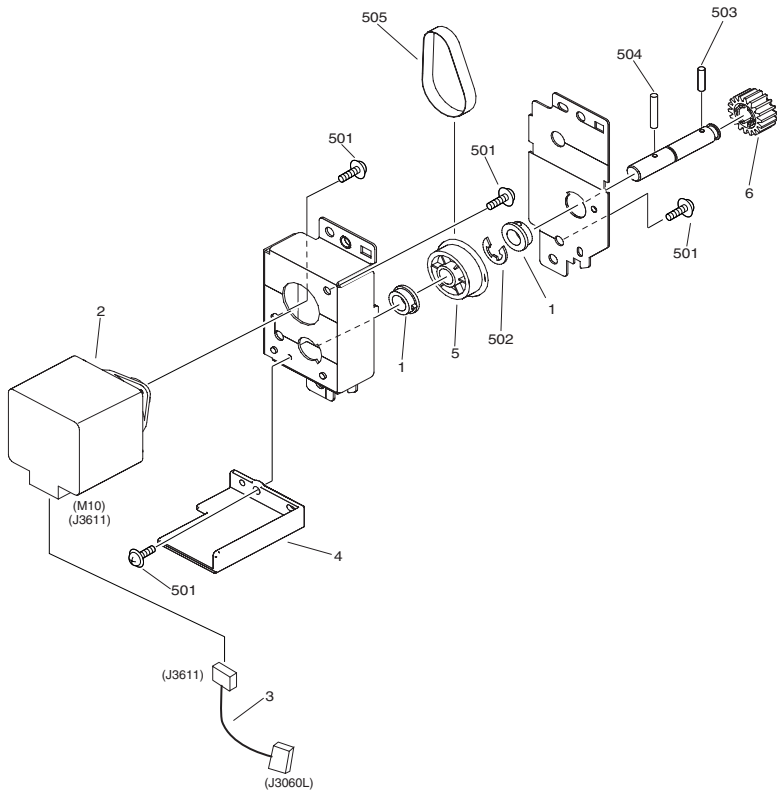


FIGURE & KEY NO.	PARTS NUMBER	RANK	Q'TY	DESCRIPTION	SERIAL NUMBER/REMARKS	SVC
Fig.261	NPN		RF	FIXINGPAPERDELIVERY,DRIVEASSY		
1	FA9-2112-000		2	BUSHING, PL	iR4570&iR4570F&iR3570 &iR3570F	
2	FL2-3266-000		1	MOTOR, STEPPING, DC	iR4570&iR4570F&iR3570 &iR3570F M10 J3611	
3	FM2-2838-000		1	CABLE, DUPLEXING MOTOR	iR4570&iR4570F&iR3570 &iR3570F J3060L,3611	
4	FC5-7208-000		1	COVER, DUPLEX CONNECTOR	iR4570&iR4570F&iR3570 &iR3570F	
5	FU6-0024-000		1	PULLEY, 40T	iR4570&iR4570F&iR3570 &iR3570F	
6	FU6-0029-000		1	GEAR, 18T	iR4570&iR4570F&iR3570 &iR3570F	
501	XB6-7300-607		4	SCREW, TP, M3X6	iR4570&iR4570F&iR3570 &iR3570F	
502	XD2-1100-642		1	RING,E	iR4570&iR4570F&iR3570 &iR3570F	
503	XD3-2200-122		1	PIN, DOWEL	iR4570&iR4570F&iR3570 &iR3570F	
504	XD3-2200-182		1	PIN, DOWEL	iR4570&iR4570F&iR3570 &iR3570F	
505	XF2-1605-760		1	BELT, TIMING	iR4570&iR4570F&iR3570 &iR3570F	



# FIGURE 281 FIXING DELIVERY DRIVE ASSEMBLY

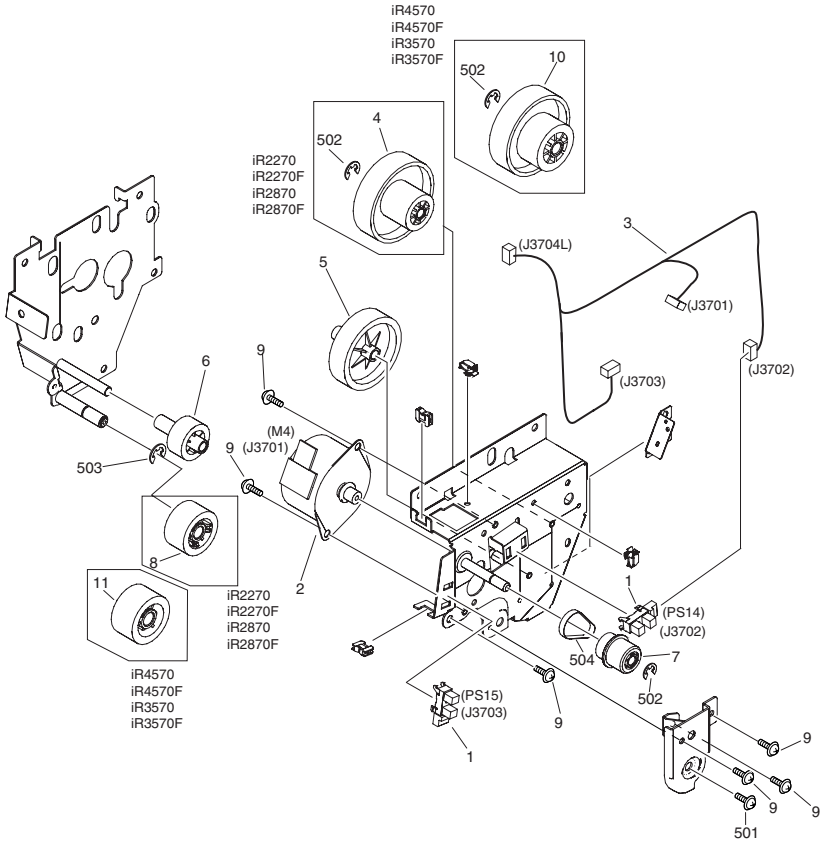


FIGURE & KEY NO.	PARTS NUMBER	R A N K	Q'TY	DESCRIPTION	SERIAL NUMBER/ REMARKS	S V C
Fig.281	FM2-0242-000		1	FIXING DELIVERY DRIVE ASSEMBLY	iR2270&iR2270F&iR2870 &iR2870F	
Fig.281	FM2-1771-000		1	FIXING DELIVERY DRIVE ASSEMBLY	iR4570&iR4570F&iR3570 &iR3570F	
1	FK2-0149-000		2	PHOTO-INTERRUPTER, TLP1253(C6)	PS14 J3702,PS15 J3703	
2	FK2-0365-000		1	MOTOR, STEPPING, DC	M4 J3701	
3	FM2-2816-000		1	CABLE, FIXING DRIVE	J3701,3702,3703,3704L	
4	FU5-0095-000		1	GEAR, 17T/103T	iR2270&iR2270F&iR2870 &iR2870F	
5	FU5-0096-000		1	GEAR, 36T		
6	FU5-0097-000		1	GEAR, 17T		
7	FU5-0101-000		1	GEAR, 20T/PULLEY 28T		
8	FU5-0126-000		1	GEAR, 21T	iR2270&iR2270F&iR2870 &iR2870F	
9	XA9-1164-000		6	SCREW,RS,M3X6.5		
10	FU6-0019-000		1	GEAR, 24T/103T	iR4570&iR4570F&iR3570 &iR3570F	
11	FU6-0020-000		1	GEAR, 24T	iR4570&iR4570F&iR3570 &iR3570F	
501	XB6-7300-609		1	SCREW, MACH,PAN HEAD, M3X8		
502	XD2-1100-502		2	RETAINING RING(E-TYPE)		
503	XD2-1100-642		1	RING,E		
504	XF2-4104-040		1	BELT, TIMING		

# FIGURE 300 CASSETTE(MIDDLE)

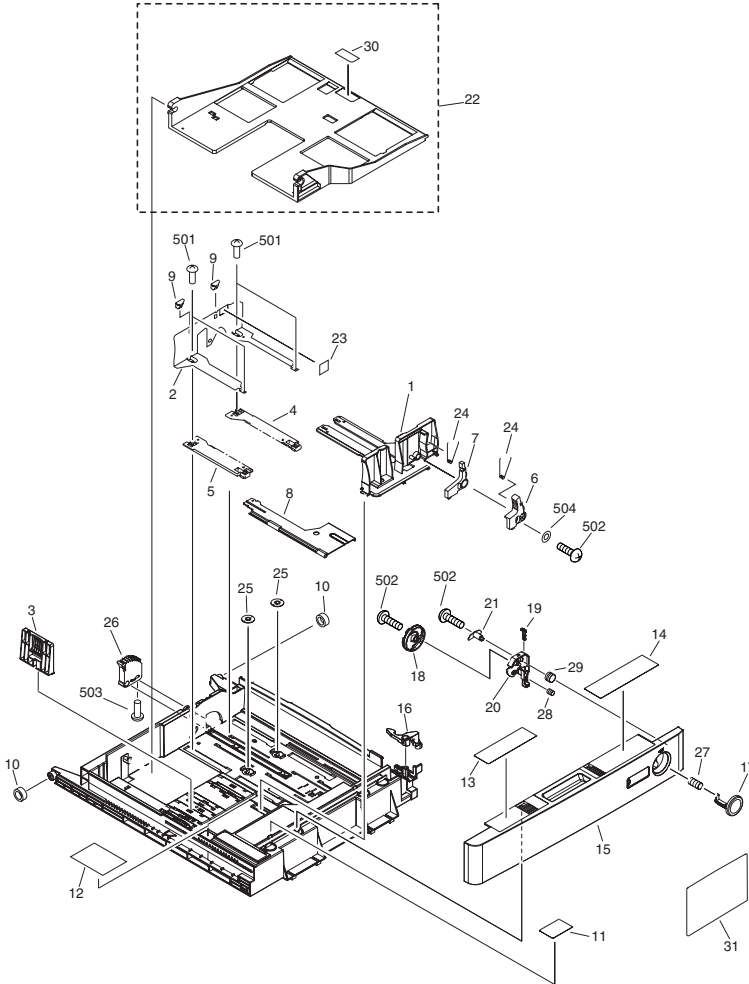


FIGURE & KEY NO.	PARTS NUMBER	R A N K	Q'TY	DESCRIPTION	SERIAL NUMBER/ REMARKS	S V C
Fig.300	NPN		RF	CASSETTE	MIDDLE	
1	FB6-3478-000		1	PLATE, SIDE GUIDE, FRONT		
2	FB6-3479-000		1	PLATE, SIDE GUIDE, REAR		
3	FB6-3480-000		1	PLATE, END GUIDE		
4	FB6-3481-000		1	RACK, 1		
5	FB6-3482-000		1	RACK, 2		
6	FB6-3483-000		1	KNOB, SIDE GUIDE PLATE, 1		
7	FB6-3484-000		1	KNOB, SIDE GUIDE PLATE, 2		
8	FB6-3486-000		1	PLATE, LIFTER		
9	FB6-3490-000		2	CLAW, SIDE PLATE GUIDE		
10	FB6-3506-000		2	COLLAR, CASSETTE SWING		
11	FC5-0583-000		1	LABEL, PAPER SET		
12	FC5-0585-000		1	LABEL, PAPER SET CAUTION		
13	FC5-0591-000		1	LABEL, SIZE CHANGE		
14	FC5-0598-000		1	LABEL, DIAL SET		
15	FC5-0622-000		1	PANEL, CASSETTE FRONT		
16	FC5-0635-000		1	ARM, LOCK		
17	FC5-0636-000		1	BUTTON, PUSH		
18	FC5-1422-020		1	DIAL, SIZE DETECT		
19	FC5-1423-000		1	SLIDER, CONVERT		
20	FC5-1424-020		1	HOLDER, DIAL		
21	FC5-1425-000		1	PIN, FLOAT GUIDE		
22	FF6-2064-000		1	PLATE, PAPER LIFTING		
23	FS6-8116-000		1	LABEL, 'PAPER HEIGHT'		
24	FS7-2805-000		2	SPRING, TORSION		
25	FU3-0293-000		2	GEAR, 16T		
26	FU3-0294-000		1	GEAR, 7T		
27	FU5-2032-000		1	SPRING, COMPRESSION		
28	FU5-2097-000		1	SPRING, COMPRESSION		
29	FU5-2104-000		1	SPRING, COMPRESSION		
30	FB6-3499-000		1	SHEET, SEPARATION		
31	FC5-7216-000		1	LABEL, CASSETTE SIZE, DIAL		

FIGURE & KEY NO.	PARTS NUMBER	R A N K	Q'TY	DESCRIPTION	SERIAL NUMBER/ REMARKS	S V C
501	XB2-8300-607		4	SCREW, M3X6, S		
502	XB4-5300-807		3	SCREW, P, M3X8		
503	XB6-7300-807		1	SCREW, TP, M3X8		
504	XD1-1104-135		1	WASHER,COP		

# FIGURE 301 CASSETTE (LARGE)

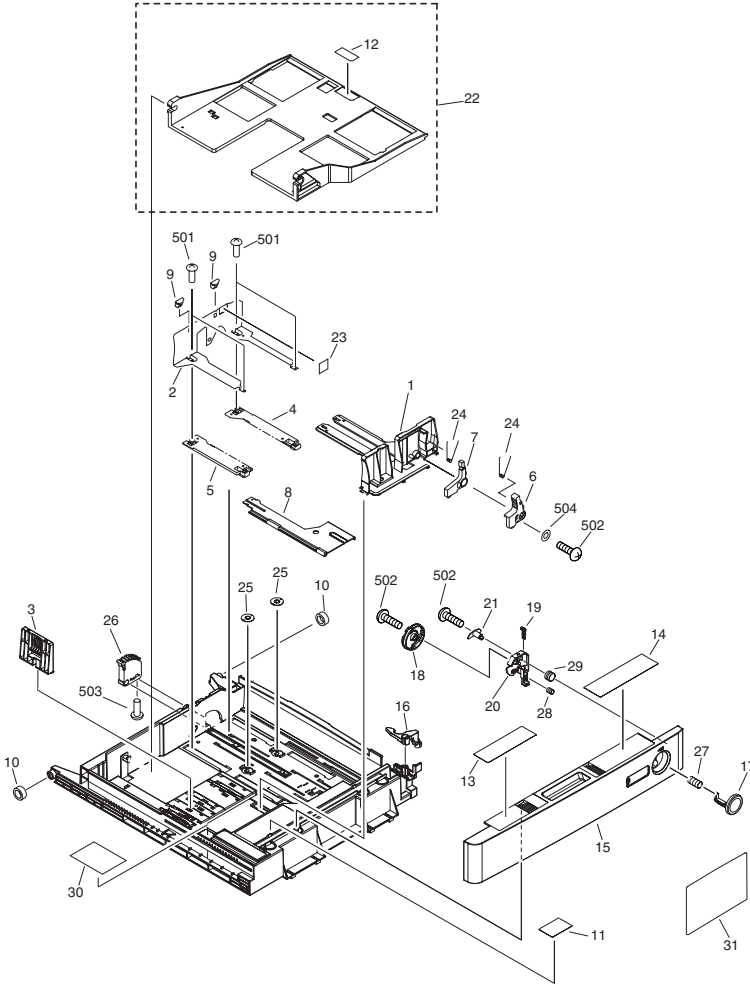


FIGURE & KEY NO.	PARTS NUMBER	R A N K	Q'TY	DESCRIPTION	SERIAL NUMBER/ REMARKS	S V C
Fig.301	NPN		RF	CASSETTE	LARGE	
1	FB6-3478-000		1	PLATE, SIDE GUIDE, FRONT		
2	FB6-3479-000		1	PLATE, SIDE GUIDE, REAR		
3	FB6-3480-000		1	PLATE, END GUIDE		
4	FB6-3481-000		1	RACK, 1		
5	FB6-3482-000		1	RACK, 2		
6	FB6-3483-000		1	KNOB, SIDE GUIDE PLATE, 1		
7	FB6-3484-000		1	KNOB, SIDE GUIDE PLATE, 2		
8	FB6-3486-000		1	PLATE, LIFTER		
9	FB6-3490-000		2	CLAW, SIDE PLATE GUIDE		
10	FB6-3506-000		2	COLLAR, CASSETTE SWING		
11	FC5-0583-000		1	LABEL, PAPER SET		
12	FB6-3499-000		1	SHEET, SEPARATION		
13	FC5-0584-000		1	LABEL, SIZE CHANGE		
14	FC5-0598-000		1	LABEL, DIAL SET		
15	FC5-0624-000		1	PANEL, CASSETTE FRONT		
16	FC5-0605-000		1	ARM, LOCK		
17	FC5-0637-000		1	BUTTON, PUSH		
18	FC5-1422-020		1	DIAL, SIZE DETECT		
19	FC5-1423-000		1	SLIDER, CONVERT		
20	FC5-1424-020		1	HOLDER, DIAL		
21	FC5-1425-000		1	PIN, FLOAT GUIDE		
22	FF6-2064-000		1	PLATE, PAPER LIFTING		
23	FS6-8116-000		1	LABEL, 'PAPER HEIGHT'		
24	FS7-2805-000		2	SPRING, TORSION		
25	FU3-0293-000		2	GEAR, 16T		
26	FU3-0294-000		1	GEAR, 7T		
27	FU5-2033-000		1	SPRING, COMPRESSION		
28	FU5-2097-000		1	SPRING, COMPRESSION		
29	FU5-2104-000		1	SPRING, COMPRESSION		
30	FB6-3524-000		1	LABEL, PAPER SIZE SELECT		
31	FC5-7216-000		1	LABEL, CASSETTE SIZE, DIAL		

FIGURE & KEY NO.	PARTS NUMBER	R A N K	Q'TY	DESCRIPTION	SERIAL NUMBER/ REMARKS	S V C
501	XB2-8300-607		4	SCREW, M3X6, S		
502	XB4-5300-807		3	SCREW, P, M3X8		
503	XB6-7300-807		1	SCREW, TP, M3X8		
504	XD1-1104-135		1	WASHER,COP		



FIGURE 310  
 PAPER PICK-UP ASSEMBLY (MIDDLE)

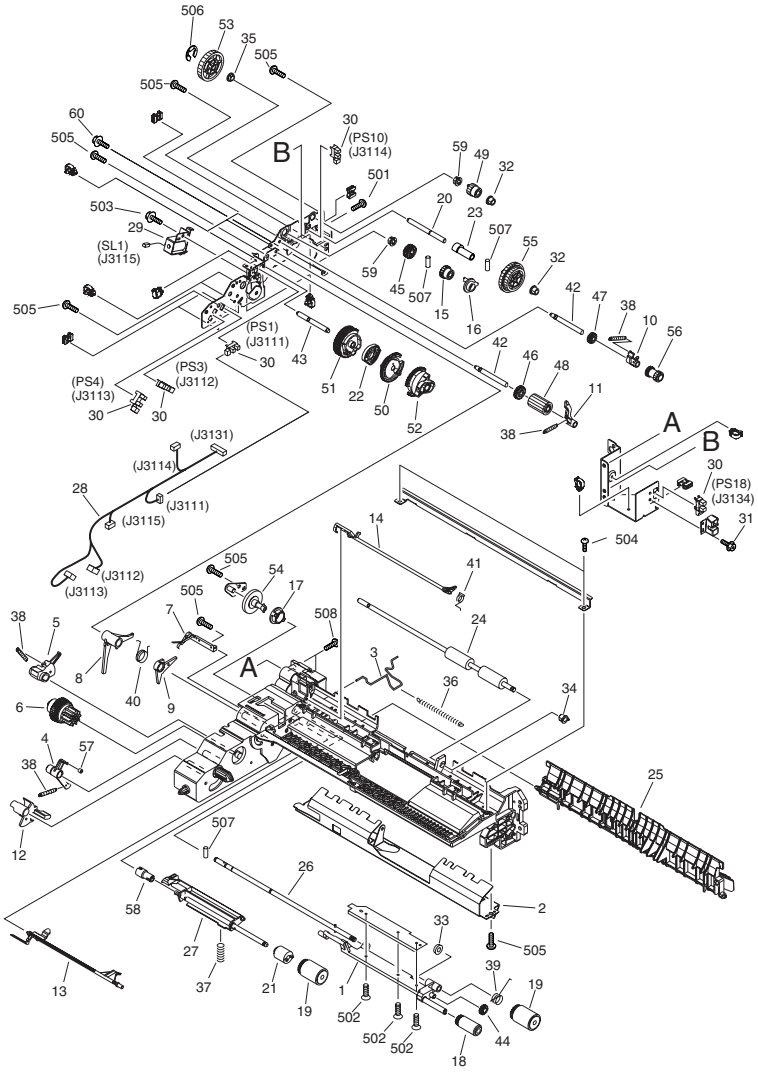


FIGURE & KEY NO.	PARTS NUMBER	R A N K	Q'TY	DESCRIPTION	SERIAL NUMBER/ REMARKS	S V C
Fig.310	FM2-1577-000		1	PAPER PICK-UP ASSEMBLY	MIDDLE	
1	FB6-3380-000		1	HOLDER, PAPER PICK-UP ROLLER		
2	FB6-3386-000		1	GUIDE, RETARD		
3	FB6-3388-000		1	ROD, SEPARATION ROLLER RELEASE		
4	FB6-3389-000		1	CLAW, PICK-UP		
5	FB6-3390-000		1	CLAW, PAPER PICK-UP		
6	FB6-3391-000		1	GEAR, RATCHET		
7	FB6-3392-000		1	SPRING, LEAF		
8	FB6-3393-000		1	ARM, PICK-UP		
9	FB6-3394-000		1	ARM, LIFTING		
10	FB6-3395-000		1	ARM, PAPER FEED SHAFT		
11	FB6-3396-010		1	LOCK, PICK-UP		
12	FB6-3397-000		1	FLAG, PAPER SENSOR		
13	FF6-2363-000		1	FLAG, PAPER DETECT SENSOR		
14	FB6-3399-000		1	FLAG, REGISTRATION SENSOR		
15	FB6-3402-000		1	GEAR, RATCHET		
16	FB6-3403-000		1	COUPLING, FEED SHAFT STOP		
17	FB6-3404-000		1	COUPLING, SEPARATION SHAFT		
18	FB6-3405-000		1	ROLLER, PAPER PICK-UP		
19	FC5-6934-000		2	ROLLER, FEED/SEPARATION		
20	FB6-3408-000		1	SHAFT, PAPER PICK-UP DRIVE		
21	FB6-3410-000		1	LIMITER, TORQUE		
22	FB6-3411-000		1	CAM, LOCK		
23	FB6-3413-000		1	COLLAR, PAPER PICK-UP SHAFT		
24	FB6-4852-000		1	ROLLER, VERTICAL PATH		
25	FC5-0595-000		1	GUIDE, VERTICAL PATH		
26	FF6-2058-000		1	SHAFT, PAPER FEED ROLLER		
27	FF6-2059-000		1	HOLDER, SEPARATION ROLLER		
28	FG3-2302-000		1	CABLE, PAPER PICK-UP	J3111,3112,3113,3114,3115,3131	
29	FH6-5055-000		1	SOLENOID	SL1 J3115	
30	FH7-7312-000		5	IC, EE-SX4235A-P2,	PS1,3,4,10,18 J3111,3112,3113,3114,3134	

FIGURE & KEY NO.	PARTS NUMBER	R A N K	Q'TY	DESCRIPTION	SERIAL NUMBER/ REMARKS	S V C
31	XA9-1386-000		1	SCREW,RS,M3X8		
32	FS1-1205-000		2	BUSHING		
33	FS1-1213-000		1	BUSHING		
34	FS5-1597-000		1	BUSHING		
35	FS6-1063-000		1	BUSHING		
36	FS7-2797-000		1	SPRING, TENSION		
37	FS7-2798-000		1	SPRING, COMPRESSION		
38	FS7-2800-000		4	SPRING, TENSION		
39	FS7-2801-000		1	SPRING, TORSION		
40	FS7-2802-000		1	SPRING, TORSION		
41	FS7-2803-000		1	SPRING, TORSION		
42	FS7-5909-000		2	SHAFT, IDLER, 2		
43	FS7-5910-000		1	SHAFT, IDLER, 3		
44	FU3-0280-000		1	GEAR, 15T		
45	FU3-0282-000		1	GEAR, 21T		
46	FU3-0283-000		1	GEAR, 21T		
47	FU3-0284-000		1	GEAR, 16T		
48	FU3-0288-000		1	GEAR, 21T		
49	FU3-0289-000		1	GEAR, 14T		
50	FU3-0290-000		1	GEAR, 46T		
51	FU3-0291-000		1	GEAR, 51T		
52	FU3-0292-000		1	GEAR, 42T		
53	FU3-0347-000		1	GEAR, 41T		
54	FU3-0349-000		1	GEAR, 41T		
55	FU3-0350-000		1	GEAR, 41T/41T		
56	FU3-0352-000		1	GEAR, 16T/16T		
57	RB1-6539-000		1	DAMPER		
58	RB1-8945-000		1	JOINT		
59	RS5-1567-000		2	BUSHING		
60	XA9-0962-000		1	SCREW, RS, M3X10		
501	XB1-2300-607		1	SCREW, BH3X6(S)		
502	XB1-3300-607		3	SCREW, FTH3X6		

FIGURE & KEY NO.	PARTS NUMBER	R A N K	Q'TY	DESCRIPTION	SERIAL NUMBER/ REMARKS	S V C
503	XB3-6300-600		2	SCREW,RS,M3X6		
504	XB4-5400-807		2	SCREW,P,M4X8		
505	XB4-5401-207		7	SCREW,P,M4X12		
506	XD2-1100-502		1	RETAINING RING (E-TYPE)		
507	XD3-2200-122		3	PIN, DOWEL		
508	XB1-2400-607		2	SCREW, CROSS-RECESS, FCH		

**FIGURE 311**  
**PAPER PICK-UP ASSEMBLY (LARGE)**

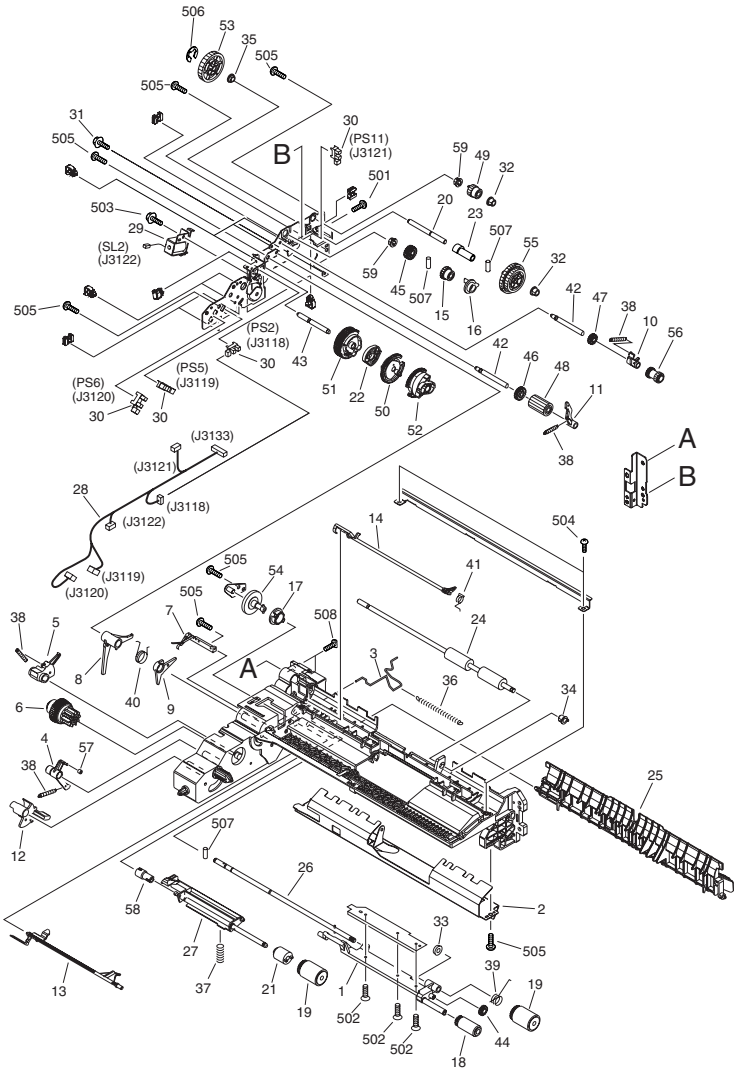


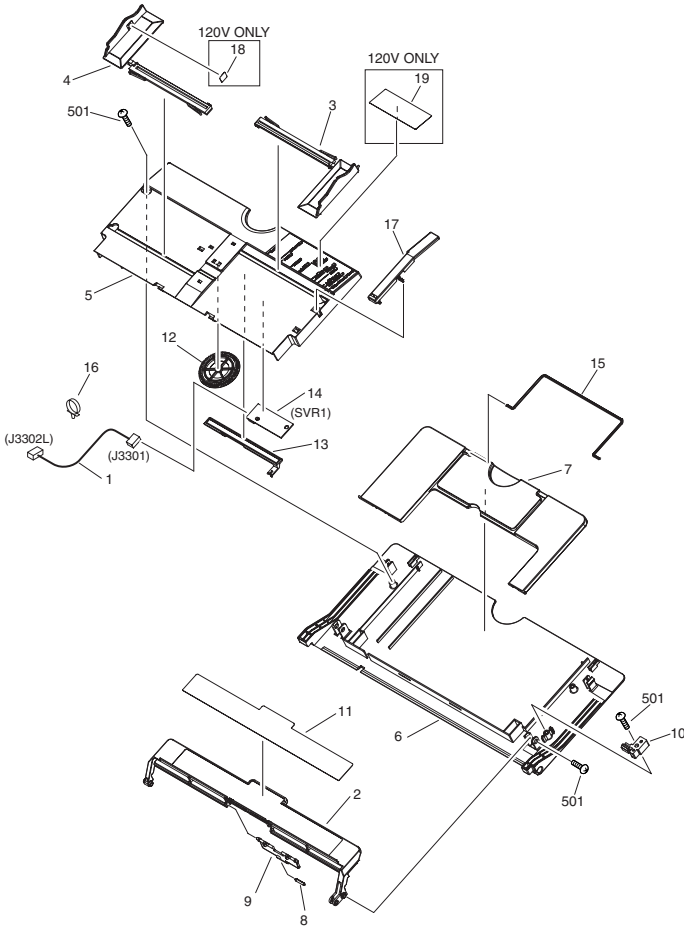
FIGURE & KEY NO.	PARTS NUMBER	R A N K	Q'TY	DESCRIPTION	SERIAL NUMBER/ REMARKS	S V C
Fig.311	FM2-1578-000		1	PAPER PICK-UP ASSEMBLY	LARGE	
1	FB6-3380-000		1	HOLDER, PAPER PICK-UP ROLLER		
2	FB6-3386-000		1	GUIDE, RETARD		
3	FB6-3388-000		1	ROD, SEPARATION ROLLER RELEASE		
4	FB6-3389-000		1	CLAW, PICK-UP		
5	FB6-3390-000		1	CLAW, PAPER PICK-UP		
6	FB6-3391-000		1	GEAR, RATCHET		
7	FB6-3392-000		1	SPRING, LEAF		
8	FB6-3393-000		1	ARM, PICK-UP		
9	FB6-3394-000		1	ARM, LIFTING		
10	FB6-3395-000		1	ARM, PAPER FEED SHAFT		
11	FB6-3396-010		1	LOCK, PICK-UP		
12	FB6-3397-000		1	FLAG, PAPER SENSOR		
13	FF6-2363-000		1	FLAG, PAPER DETECT SENSOR		
14	FB6-3399-000		1	FLAG, REGISTRATION SENSOR		
15	FB6-3402-000		1	GEAR, RATCHET		
16	FB6-3403-000		1	COUPLING, FEED SHAFT STOP		
17	FB6-3404-000		1	COUPLING, SEPARATION SHAFT		
18	FB6-3405-000		1	ROLLER, PAPER PICK-UP		
19	FC5-6934-000		2	ROLLER, FEED/SEPARATION		
20	FB6-3408-000		1	SHAFT, PAPER PICK-UP DRIVE		
21	FB6-3410-000		1	LIMITER, TORQUE		
22	FB6-3411-000		1	CAM, LOCK		
23	FB6-3413-000		1	COLLAR, PAPER PICK-UP SHAFT		
24	FB6-4852-000		1	ROLLER, VERTICAL PATH		
25	FC5-0595-000		1	GUIDE, VERTICAL PATH		
26	FF6-2058-000		1	SHAFT, PAPER FEED ROLLER		
27	FF6-2059-000		1	HOLDER, SEPARATION ROLLER		
28	FG3-2302-000		1	CABLE, PAPER PICK-UP	J3118,3119,3120,3121,3122,3133	
29	FH6-5055-000		1	SOLENOID	SL2 J3122	
30	FH7-7312-000		4	IC, EE-SX4235A-P2,	PS2,5,6,11 J3118,3119,3120,3121	

FIGURE & KEY NO.	PARTS NUMBER	R A N K	Q'TY	DESCRIPTION	SERIAL NUMBER/ REMARKS	S V C
32	FS1-1205-000		2	BUSHING		
33	FS1-1213-000		1	BUSHING		
34	FS5-1597-000		1	BUSHING		
35	FS6-1063-000		1	BUSHING		
36	FS7-2797-000		1	SPRING, TENSION		
37	FS7-2798-000		1	SPRING, COMPRESSION		
38	FS7-2800-000		4	SPRING, TENSION		
39	FS7-2801-000		1	SPRING, TORSION		
40	FS7-2802-000		1	SPRING, TORSION		
41	FS7-2803-000		1	SPRING, TORSION		
42	FS7-5909-000		2	SHAFT, IDLER, 2		
43	FS7-5910-000		1	SHAFT, IDLER, 3		
44	FU3-0280-000		1	GEAR, 15T		
45	FU3-0282-000		1	GEAR, 21T		
46	FU3-0283-000		1	GEAR, 21T		
47	FU3-0284-000		1	GEAR, 16T		
48	FU3-0288-000		1	GEAR, 21T		
49	FU3-0289-000		1	GEAR, 14T		
50	FU3-0290-000		1	GEAR, 46T		
51	FU3-0291-000		1	GEAR, 51T		
52	FU3-0292-000		1	GEAR, 42T		
53	FU3-0347-000		1	GEAR, 41T		
54	FU3-0349-000		1	GEAR, 41T		
55	FU3-0350-000		1	GEAR, 41T/41T		
56	FU3-0352-000		1	GEAR, 16T/16T		
57	RB1-6539-000		1	DAMPER		
58	RB1-8945-000		1	JOINT		
59	RS5-1567-000		2	BUSHING		
60	XA9-0656-000		1	SCREW,RS,M3X10		
501	XB1-2300-607		1	SCREW, BH3X6(S)		
502	XB1-3300-607		3	SCREW, FTH3X6		
503	XB3-6300-600		2	SCREW,RS,M3X6		

FIGURE & KEY NO.	PARTS NUMBER	R A N K	Q'TY	DESCRIPTION	SERIAL NUMBER/ REMARKS	S V C
504	XB4-5400-807		2	SCREW,P,M4X8		
505	XB4-5401-207		7	SCREW,P,M4X12		
506	XD2-1100-502		1	RETAINING RING (E-TYPE)		
507	XD3-2200-122		3	PIN, DOWEL		
508	XB1-2400-607		2	SCREW, CROSS-RECESS, FCH		



# FIGURE 315 MULTI FEED TRAY ASSEMBLY



NOTE 1 : This assembly is included in the assembly shown in Figure 140.  
 NOTE 2 : This assembly does not include the part shown with key No. 17,18 and 19.  
 注 1 : このユニットはFigure 140のユニットに含まれます。  
 注 2 : このユニットにKey No. 17, 18, 19の部品は含まれません。

FIGURE & KEY NO.	PARTS NUMBER	R A N K	Q'TY	DESCRIPTION	SERIAL NUMBER/ REMARKS	S V C
Fig.315	FM2-0387-000		1	MULTI FEED TRAY ASSEMBLY	SEE NOTE 1	
1	FG3-3187-000		1	CABLE, PAPER WIDTH SENSOR	J3301,3302L	
2	FC5-0520-000		1	LEVER, MULTI FEED		
3	FC5-0477-000		1	PLATE, PAPER SIDE END, FRONT		
4	FC5-0478-000		1	PLATE, PAPER SIDE END, REAR		
5	FC5-0479-000		1	TRAY, MULTI FEED, UPPER		
6	FC5-0480-000		1	TRAY, MULTI FEED, LOWER		
7	FC5-0481-000		1	TRAY, MULTI FEED AUXILIARY		
8	FC5-0497-000		1	ROLLER, NEEDLE		
9	FC5-0526-000		1	STOPPER, MULTI FEED SHEET		
10	FC5-0527-000		1	STOPPER, MULTI FEED HANDLE		
11	FC5-0541-000		1	LABEL, PAPER SET INDICATION		
12	FU5-0062-000		1	GEAR, 18T/62T		
13	FU5-0063-000		1	RACK, MULTI FEED SIZE DETECT		
14	FM2-2768-000		1	MULTI FEED SIZE PCB ASSEMBLY	SVR1	
15	FC5-0546-000		1	TRAY, WIRE AUXILIARY		
16	WT2-5565-000		1	CLAMP, CABLE		
17	FC5-0530-000		1	COVER	SEE NOTE 2	
18	FC5-0544-000		1	LABEL, MAXIMUM LOAD	SEE NOTE 2 120V ONLY	
19	FC5-7217-000		1	LABEL, PAPER SIZE	SEE NOTE 2 120V ONLY	
501	XB4-5401-007		3	SCREW, M4X10		

# FIGURE 350 PAPER DELIVERY ASSEMBLY

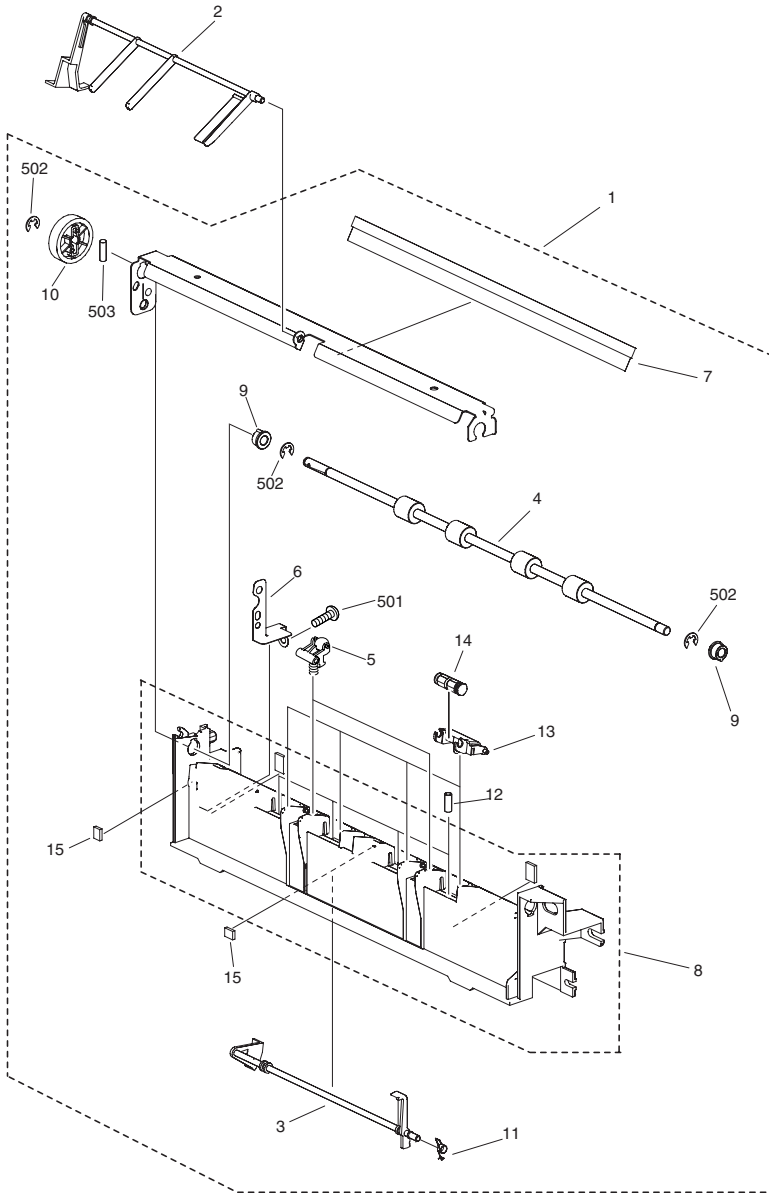


FIGURE & KEY NO.	PARTS NUMBER	RANK	Q'TY	DESCRIPTION	SERIAL NUMBER/REMARKS	SVC
Fig.350	NPN		RF	PAPER DELIVERY ASSEMBLY		
1	FM2-3265-000		1	PAPER DELIVERY ASSEMBLY		
2	FC5-0798-000		1	FLAG, FULL DETECT		
3	FC5-0799-000		1	FLAG, 1ST DELIVERY SENSOR		
4	FC5-0800-000		1	ROLLER, PAPER DELIVERY		
5	FF6-0345-000		2	DELIVERY COLLAR UNIT		
6	FC5-0806-000		1	PLATE, GROUNDING		
7	FB5-4858-000		1	ELIMINATOR, STATIC CHARGE		
8	FL2-0178-000		1	GUIDE, PAPER DELIVERY		
9	FS5-1943-000		2	BUSHING		
10	FU5-0128-000		1	GEAR, 35T		
11	FU5-2068-000		1	SPRING, TORSION		
12	FU5-2074-000		4	SPRING, COMPRESSION		
13	FC6-2915-000		4	HOLDER,ROLLER		
14	FM2-0177-000		4	O RING ROLLER UNIT		
15	FB5-5150-000		2	RUBBER, NOISE PREVENTION		
501	XB4-5400-807		1	SCREW, P, M4X8		
502	XD2-1100-502		3	RETAINING RING(E-TYPE)		
503	XD3-2200-162		1	PIN, PARALLEL		

# FIGURE 351 2ND 3RD DELIVERY ASSEMBLY

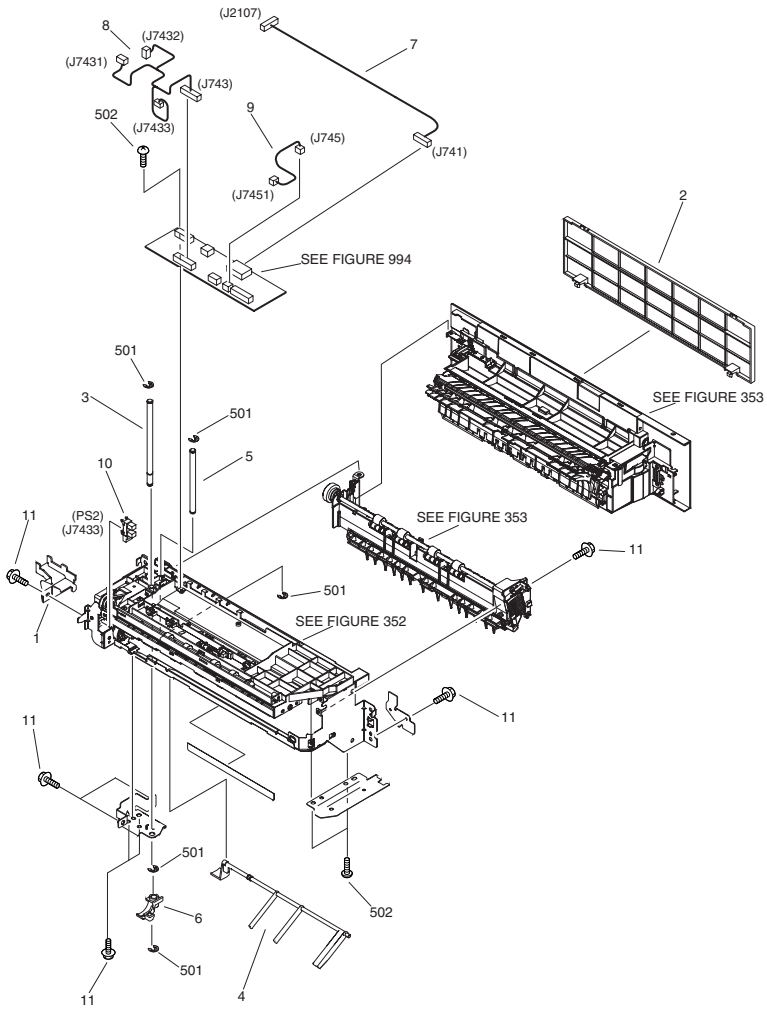


FIGURE & KEY NO.	PARTS NUMBER	R A N K	Q'TY	DESCRIPTION	SERIAL NUMBER/ REMARKS	S V C
Fig.351	NPN		RF	2ND 3RD DELIVERY ASSEMBLY		
1	FC5-0859-000		1	COVER, CONNECTOR	iR2270 120V&iR2870 120V&iR3570&iR3570F&i R4570&iR4570F	
2	FC5-0888-000		1	PANEL, 2ND DELIVERY BLANKING	iR2270 120V&iR2870 120V&iR3570&iR3570F&i R4570&iR4570F	
3	FC5-0978-000		1	SHAFT, 2ND DELIVERY HINGE	iR2270 120V&iR2870 120V&iR3570&iR3570F&i R4570&iR4570F	
4	FC5-0992-000		1	FLAG, PAPER FULL SENSOR	iR2270 120V&iR2870 120V&iR3570&iR3570F&i R4570&iR4570F	
5	FC5-1019-000		1	SHAFT, 3RD DELIVERY HINGE	iR2270 120V&iR2870 120V&iR3570&iR3570F&i R4570&iR4570F	
6	FC5-6011-000		1	COVER, GEAR	iR2270 120V&iR2870 120V&iR3570&iR3570F&i R4570&iR4570F	
7	FG3-3294-000		1	CABLE, INTERFACE	J741,2107 iR2270 120V&iR2870 120V&iR3570&iR3570F&i R4570&iR4570F	
8	FG3-3297-000		1	CABLE, MOTOR	J743,7431,7432,7433 iR2270 120V&iR2870 120V&iR3570&iR3570F&i R4570&iR4570F	
9	FG3-3301-000		1	CABLE, SENSOR	J745,7451 iR2270 120V&iR2870 120V&iR3570&iR3570F&i R4570&iR4570F	
10	FK2-0149-000		1	PHOTO-INTERRUPTER, TLP1253(C6)	PS2 J7433 iR2270 120V&iR2870 120V&iR3570&iR3570F&i R4570&iR4570F	
11	XA9-1386-000		5	SCREW, RS, M3X8	iR2270 120V&iR2870 120V&iR3570&iR3570F&i R4570&iR4570F	
501	XD2-1100-502		5	RING, E	iR2270 120V&iR2870 120V&iR3570&iR3570F&i R4570&iR4570F	
502	XB4-5300-805		4	SCREW, P, M3X8	iR2270 120V&iR2870 120V&iR3570&iR3570F&i R4570&iR4570F	

# FIGURE 352

## 2ND UPPER DELIVERY ASSEMBLY

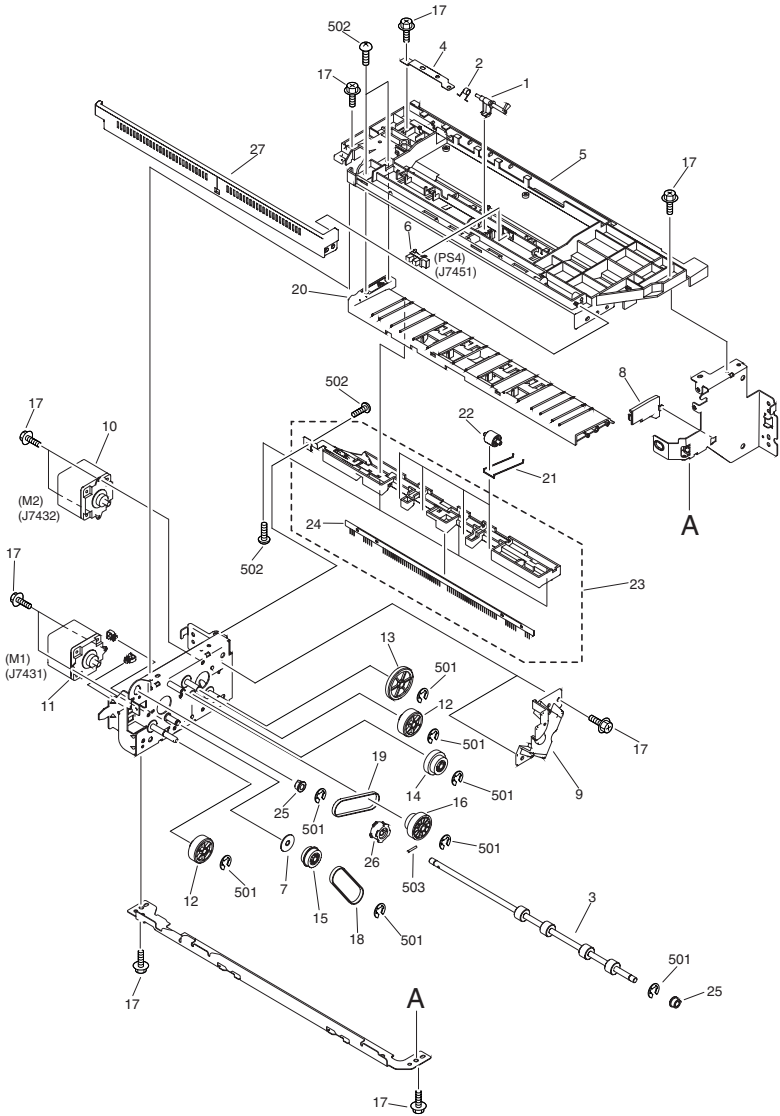


FIGURE & KEY NO.	PARTS NUMBER	R A N K	Q'TY	DESCRIPTION	SERIAL NUMBER/ REMARKS	S V C
Fig.352	FM2-1328-000		1	2ND UPPER DELIVERY ASSEMBLY	iR2270 120V&iR2870 120V&iR3570&iR3570F&i R4570&iR4570F	
1	FC5-0987-000		1	FLAG, REVERSE SENSOR	iR2270 120V&iR2870 120V&iR3570&iR3570F&i R4570&iR4570F	
2	FC5-0988-000		1	SPRING, TORSION	iR2270 120V&iR2870 120V&iR3570&iR3570F&i R4570&iR4570F	
3	FC5-0989-000		1	ROLLER, REVERSE	iR2270 120V&iR2870 120V&iR3570&iR3570F&i R4570&iR4570F	
4	FC5-1025-000		1	PLATE, GROUNDING	iR2270 120V&iR2870 120V&iR3570&iR3570F&i R4570&iR4570F	
5	FC5-1038-000		1	GUIDE, 2ND DELIVERY, UPPER	iR2270 120V&iR2870 120V&iR3570&iR3570F&i R4570&iR4570F	
6	FK2-0149-000		1	PHOTO-INTERRUPTER, TLP1253(C6)	PS4 J7451 iR2270 120V&iR2870 120V&iR3570&iR3570F&i R4570&iR4570F	
7	FB5-4754-000		1	SPACER	iR2270 120V&iR2870 120V&iR3570&iR3570F&i R4570&iR4570F	
8	FC5-0870-000		1	GUIDE, SLIDE	iR2270 120V&iR2870 120V&iR3570&iR3570F&i R4570&iR4570F	
9	FC5-6010-000		1	COVER, GEAR, 1	iR2270 120V&iR2870 120V&iR3570&iR3570F&i R4570&iR4570F	
10	FH5-1021-000		1	MOTOR, STEPPING, AC	M2 J7432 iR2270 120V&iR2870 120V&iR3570&iR3570F&i R4570&iR4570F	
11	FH5-1108-000		1	MOTOR, STEPPING, AC	M1 J7431 iR2270 120V&iR2870 120V&iR3570&iR3570F&i R4570&iR4570F	
12	FU5-0054-000		2	GEAR, 35T	iR2270 120V&iR2870 120V&iR3570&iR3570F&i R4570&iR4570F	
13	FU5-0077-000		1	GEAR, 46T	iR2270 120V&iR2870 120V&iR3570&iR3570F&i R4570&iR4570F	
14	FU5-0078-000		1	GEAR, 30T/24T	iR2270 120V&iR2870 120V&iR3570&iR3570F&i R4570&iR4570F	



FIGURE & KEY NO.	PARTS NUMBER	RANK	Q'TY	DESCRIPTION	SERIAL NUMBER/REMARKS	SVC
15	FU5-3020-000		1	GEAR, 24T/PULLEY, 30T	iR2270 120V&iR2870 120V&iR3570&iR3570F&i R4570&iR4570F	
16	FU5-3022-000		1	PULLEY, 30T/GEAR, 35T	iR2270 120V&iR2870 120V&iR3570&iR3570F&i R4570&iR4570F	
17	XA9-1386-000		12	SCREW, RS, M3X8	iR2270 120V&iR2870 120V&iR3570&iR3570F&i R4570&iR4570F	
18	XF2-4104-240		1	BELT, TIMING, COGGED	iR2270 120V&iR2870 120V&iR3570&iR3570F&i R4570&iR4570F	
19	XF2-4108-240		1	BELT, TIMING, COGGED	iR2270 120V&iR2870 120V&iR3570&iR3570F&i R4570&iR4570F	
20	FC5-0985-000		1	GUIDE, REVERSE LOWER	iR2270 120V&iR2870 120V&iR3570&iR3570F&i R4570&iR4570F	
21	FC5-0991-000		4	SPRING	iR2270 120V&iR2870 120V&iR3570&iR3570F&i R4570&iR4570F	
22	FC5-1013-000		4	ROLLER	iR2270 120V&iR2870 120V&iR3570&iR3570F&i R4570&iR4570F	
23	FL2-1200-000		1	GUIDE, REVERSE LOWER AUXILIARY	iR2270 120V&iR2870 120V&iR3570&iR3570F&i R4570&iR4570F	
24	FC5-6003-000		1	ELIMINATOR, STATIC-CHARGE	iR2270 120V&iR2870 120V&iR3570&iR3570F&i R4570&iR4570F	
25	FS5-1943-000		2	BUSHING	iR2270 120V&iR2870 120V&iR3570&iR3570F&i R4570&iR4570F	
26	FU5-3021-000		1	PULLEY, 30T	iR2270 120V&iR2870 120V&iR3570&iR3570F&i R4570&iR4570F	
27	FC5-6004-000		1	COVER, PROTECTIVE	iR2270 120V&iR2870 120V&iR3570&iR3570F&i R4570&iR4570F	
501	XD2-1100-502		8	RING, E	iR2270 120V&iR2870 120V&iR3570&iR3570F&i R4570&iR4570F	
502	XB4-5401-205		6	SCREW, P, M4X12	iR2270 120V&iR2870 120V&iR3570&iR3570F&i R4570&iR4570F	
503	XD3-2200-122		1	PIN, DOWEL	iR2270 120V&iR2870 120V&iR3570&iR3570F&i R4570&iR4570F	

# FIGURE 353

## 2ND DELIVERY FRAME ASSEMBLY

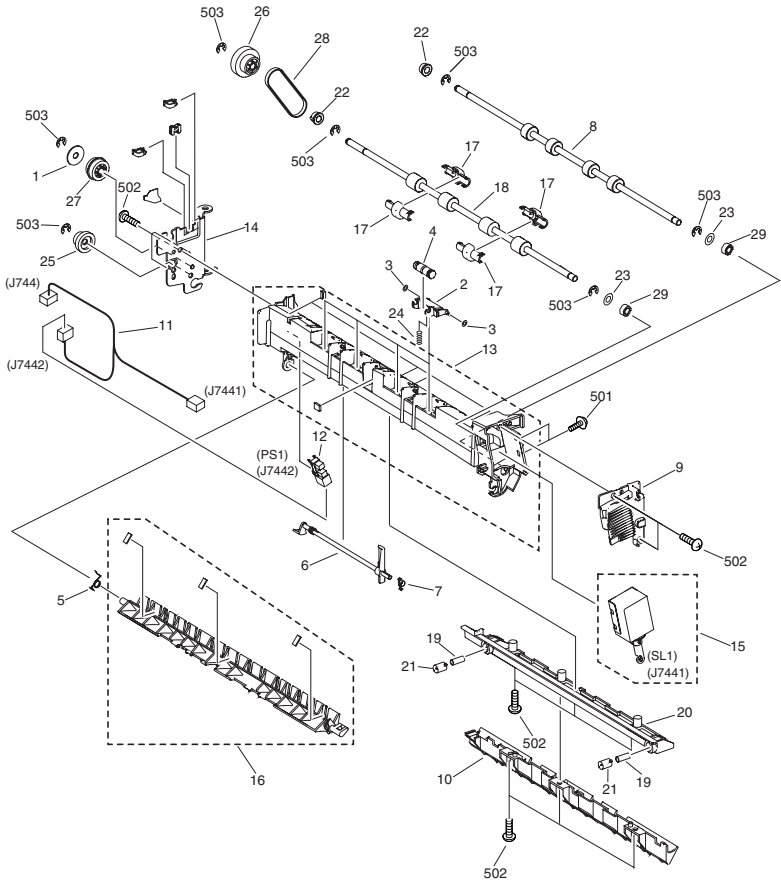


FIGURE & KEY NO.	PARTS NUMBER	R A N K	Q'TY	DESCRIPTION	SERIAL NUMBER/ REMARKS	S V C
Fig.353	FM2-4471-000		1	2ND DELIVERY FRAME ASSEMBLY	iR2270 120V&iR2870 120V&iR3570&iR3570F&i R4570&iR4570F	
1	FB5-4754-000		1	SPACER	iR2270 120V&iR2870 120V&iR3570&iR3570F&i R4570&iR4570F	
2	FC6-2915-000		4	HOLDER, ROLLER	iR2270 120V&iR2870 120V&iR3570&iR3570F&i R4570&iR4570F	
3	FB5-9803-000		8	RING	iR2270 120V&iR2870 120V&iR3570&iR3570F&i R4570&iR4570F	
4	FB6-5796-000		4	ROLLER, PAPER DELIVERY	iR2270 120V&iR2870 120V&iR3570&iR3570F&i R4570&iR4570F	
5	FC5-0974-000		1	SPRING, TORSION	iR2270 120V&iR2870 120V&iR3570&iR3570F&i R4570&iR4570F	
6	FC5-0996-000		1	FLAG, 2ND DELIVERY SENSOR	iR2270 120V&iR2870 120V&iR3570&iR3570F&i R4570&iR4570F	
7	FC5-0997-000		1	SPRING, TORSION	iR2270 120V&iR2870 120V&iR3570&iR3570F&i R4570&iR4570F	
8	FC5-1017-000		1	ROLLER, 2ND VERTICAL PATH	iR2270 120V&iR2870 120V&iR3570&iR3570F&i R4570&iR4570F	
9	FC5-1053-000		1	COVER, SOLENOID, 1	iR2270 120V&iR2870 120V&iR3570&iR3570F&i R4570&iR4570F	
10	FC5-5474-000		1	GUIDE, 2ND DELIVERY ENTRANCE	iR2270 120V&iR2870 120V&iR3570&iR3570F&i R4570&iR4570F	
11	FG3-3299-000		1	CABLE, 2ND PAPER DELIVERY	J744,7441,7442 iR2270 120V&iR2870 120V&iR3570&iR3570F&i R4570&iR4570F	
12	FK2-0149-000		1	PHOTO-INTERRUPTER, TLP1253(C6)	PS1 J7442 iR2270 120V&iR2870 120V&iR3570&iR3570F&i R4570&iR4570F	
13	FL2-1201-000		1	GUIDE, 2ND PAPER DELIVERY	iR2270 120V&iR2870 120V&iR3570&iR3570F&i R4570&iR4570F	
14	FL2-1202-000		1	HINGE, 2ND DELIVERY	iR2270 120V&iR2870 120V&iR3570&iR3570F&i R4570&iR4570F	

FIGURE & KEY NO.	PARTS NUMBER	R A N K	Q'TY	DESCRIPTION	SERIAL NUMBER/ REMARKS	S V C
15	FL2-1203-000		1	SOLENOID	SL1 L7441 iR2270 120V&iR2870 120V&iR3570&iR3570F&i R4570&iR4570F	
16	FL2-1212-030		1	FLAPPER, 1ST PAPER DELIVERY	iR2270 120V&iR2870 120V&iR3570&iR3570F&i R4570&iR4570F	
17	FC5-0805-000		4	ROLLER, REFORM	iR2270 120V&iR2870 120V&iR3570&iR3570F&i R4570&iR4570F	
18	FC5-0998-000		1	ROLLER, 2ND PAPER DELIVERY	iR2270 120V&iR2870 120V&iR3570&iR3570F&i R4570&iR4570F	
19	FC5-0871-000		2	SPRING, COMPRESSION	iR2270 120V&iR2870 120V&iR3570&iR3570F&i R4570&iR4570F	
20	FC5-0873-000		1	COVER, 2ND DELIVERY FRAME	iR2270 120V&iR2870 120V&iR3570&iR3570F&i R4570&iR4570F	
21	FC5-6014-000		2	CAP, SPRING	iR2270 120V&iR2870 120V&iR3570&iR3570F&i R4570&iR4570F	
22	FS5-1943-000		2	BUSHING	iR2270 120V&iR2870 120V&iR3570&iR3570F&i R4570&iR4570F	
23	FS5-6488-000		2	WASHER	iR2270 120V&iR2870 120V&iR3570&iR3570F&i R4570&iR4570F	
24	FS7-2859-000		4	SPRING, COMPRESSION	iR2270 120V&iR2870 120V&iR3570&iR3570F&i R4570&iR4570F	
25	FU5-0076-000		1	GEAR, 24T	iR2270 120V&iR2870 120V&iR3570&iR3570F&i R4570&iR4570F	
26	FU5-3019-000		1	PULLEY, 30T/GEAR, 35T	iR2270 120V&iR2870 120V&iR3570&iR3570F&i R4570&iR4570F	
27	FU5-3020-000		1	GEAR, 24T/PULLEY, 30T	iR2270 120V&iR2870 120V&iR3570&iR3570F&i R4570&iR4570F	
28	XF2-4107-940		1	BELT, TIMING. COGGED	iR2270 120V&iR2870 120V&iR3570&iR3570F&i R4570&iR4570F	
29	XG9-0520-000		2	BEARING, BALL	iR2270 120V&iR2870 120V&iR3570&iR3570F&i R4570&iR4570F	
501	XB1-2300-405		2	SCREW, MACH, BH, M3X4	iR2270 120V&iR2870 120V&iR3570&iR3570F&i R4570&iR4570F	

FIGURE & KEY NO.	PARTS NUMBER	R A N K	Q'TY	DESCRIPTION	SERIAL NUMBER/ REMARKS	S V C
502	XB4-5401-205		11	SCREW, P, M4X12	iR2270 120V&iR2870 120V&iR3570&iR3570F&i R4570&iR4570F	
503	XD2-1100-502		7	RING, E	iR2270 120V&iR2870 120V&iR3570&iR3570F&i R4570&iR4570F	

# FIGURE 354

## 3RD DELIVERY FRAME ASSEMBLY

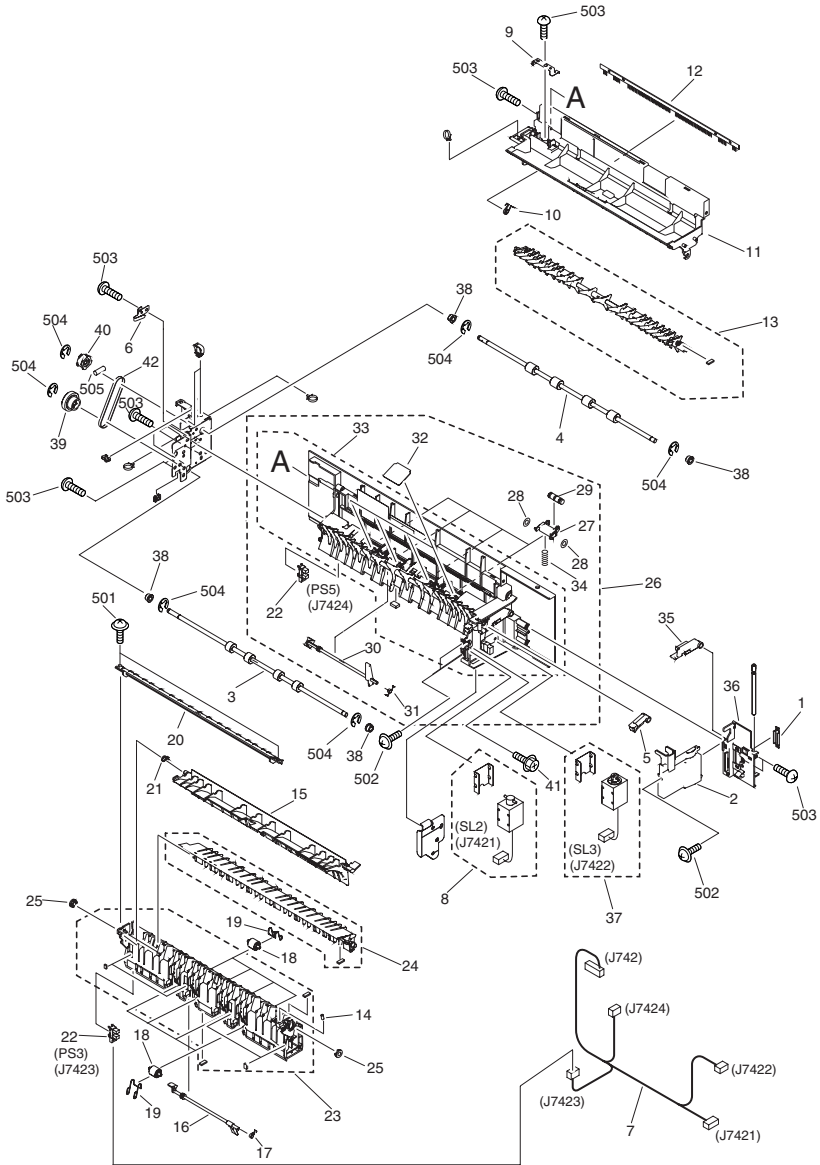


FIGURE & KEY NO.	PARTS NUMBER	R A N K	Q'TY	DESCRIPTION	SERIAL NUMBER/ REMARKS	S V C
Fig.354	FM2-1335-000		1	3RD DELIVERY FRAME ASSEMBLY	iR2270 120V&iR2870 120V&iR3570&iR3570F&i R4570&iR4570F	
1	FB5-9325-000		1	MAGNET, 3RD	iR2270 120V&iR2870 120V&iR3570&iR3570F&i R4570&iR4570F	
2	FC5-0872-000		1	COVER, DELIVERY SOLENOID, 2	iR2270 120V&iR2870 120V&iR3570&iR3570F&i R4570&iR4570F	
3	FC5-1012-000		1	ROLLER, DUPLEXING ENTRANCE	iR2270 120V&iR2870 120V&iR3570&iR3570F&i R4570&iR4570F	
4	FC5-1020-000		1	ROLLER, 3RD DELIVERY	iR2270 120V&iR2870 120V&iR3570&iR3570F&i R4570&iR4570F	
5	FC5-1023-000		1	ARM, SOLENOID, 2	iR2270 120V&iR2870 120V&iR3570&iR3570F&i R4570&iR4570F	
6	FC5-6006-000		1	PLATE, GROUNDING	iR2270 120V&iR2870 120V&iR3570&iR3570F&i R4570&iR4570F	
7	FG3-3295-000		1	CABLE, 3RD DELIVERY	J742,7421,7422,7423,742 4 iR2270 120V&iR2870 120V&iR3570&iR3570F&i R4570&iR4570F	
8	FL2-1206-000		1	SOLENOID	SL2 J7421 iR2270 120V&iR2870 120V&iR3570&iR3570F&i R4570&iR4570F	
9	FC5-0862-000		1	PLATE, GROUNDING	iR2270 120V&iR2870 120V&iR3570&iR3570F&i R4570&iR4570F	
10	FC5-0977-000		1	SPRING, TORSION	iR2270 120V&iR2870 120V&iR3570&iR3570F&i R4570&iR4570F	
11	FC5-1009-000		1	GUIDE, 3RD DELIVERY, UPPER	iR2270 120V&iR2870 120V&iR3570&iR3570F&i R4570&iR4570F	
12	FC5-6003-000		1	ELIMINATOR, STATIC-CHARGE	iR2270 120V&iR2870 120V&iR3570&iR3570F&i R4570&iR4570F	
13	FL2-1208-000		1	FLAPPER, 3RD PAPER DELIVERY	iR2270 120V&iR2870 120V&iR3570&iR3570F&i R4570&iR4570F	
14	FC5-0976-000		1	SPRING, TENSION	iR2270 120V&iR2870 120V&iR3570&iR3570F&i R4570&iR4570F	

FIGURE & KEY NO.	PARTS NUMBER	R A N K	Q'TY	DESCRIPTION	SERIAL NUMBER/ REMARKS	S V C
15	FC5-1003-000		1	FLAPPER, 2ND PAPER DELIVERY	iR2270 120V&iR2870 120V&iR3570&iR3570F&i R4570&iR4570F	
16	FC5-1005-000		1	FLAG, DUPLEX ENTRANCE SENSOR	iR2270 120V&iR2870 120V&iR3570&iR3570F&i R4570&iR4570F	
17	FC5-1006-000		1	SPRING, TORSION	iR2270 120V&iR2870 120V&iR3570&iR3570F&i R4570&iR4570F	
18	FC5-1013-000		8	ROLLER	iR2270 120V&iR2870 120V&iR3570&iR3570F&i R4570&iR4570F	
19	FC5-1014-000		8	SPRING	iR2270 120V&iR2870 120V&iR3570&iR3570F&i R4570&iR4570F	
20	FC5-6008-000		1	GUIDE, DUPLEXING ENTRANCE, 2	iR2270 120V&iR2870 120V&iR3570&iR3570F&i R4570&iR4570F	
21	FC5-6019-000		1	SPRING, TORSION	iR2270 120V&iR2870 120V&iR3570&iR3570F&i R4570&iR4570F	
22	FK2-0149-000		2	PHOTO-INTERRUPTER, TLP1253(C6)	PS3 J7423,PS5 J7424 iR2270 120V&iR2870 120V&iR3570&iR3570F&i R4570&iR4570F	
23	FL2-1207-000		1	GUIDE, DUPLEXING ENTRANCE	iR2270 120V&iR2870 120V&iR3570&iR3570F&i R4570&iR4570F	
24	FL2-1209-000		1	FLAPPER, REVERSE	iR2270 120V&iR2870 120V&iR3570&iR3570F&i R4570&iR4570F	
25	FS5-1377-000		2	BUSHING	iR2270 120V&iR2870 120V&iR3570&iR3570F&i R4570&iR4570F	
26	FM2-1340-000		1	3RD DELIVERY FRAME ASSEMBLY	iR2270 120V&iR2870 120V&iR3570&iR3570F&i R4570&iR4570F	
27	FC6-2915-000		4	ROLLER, PAPER DELIVERY	iR2270 120V&iR2870 120V&iR3570&iR3570F&i R4570&iR4570F	
28	FB5-9803-000		8	RING	iR2270 120V&iR2870 120V&iR3570&iR3570F&i R4570&iR4570F	
29	FB6-5796-000		4	ROLLER, PAPER DELIVERY	iR2270 120V&iR2870 120V&iR3570&iR3570F&i R4570&iR4570F	
30	FC5-1010-000		1	FLAG, 3RD DELIVERY SENSOR	iR2270 120V&iR2870 120V&iR3570&iR3570F&i R4570&iR4570F	



FIGURE & KEY NO.	PARTS NUMBER	R A N K	Q'TY	DESCRIPTION	SERIAL NUMBER/ REMARKS	S V C
31	FC5-1011-000		1	SPRING, TORSION	iR2270 120V&iR2870 120V&iR3570&iR3570F&i R4570&iR4570F	
32	FC5-6012-000		4	SHEET, HOLDER	iR2270 120V&iR2870 120V&iR3570&iR3570F&i R4570&iR4570F	
33	FL2-1210-000		1	FRAME, 3RD DELIVERY	iR2270 120V&iR2870 120V&iR3570&iR3570F&i R4570&iR4570F	
34	FS7-2859-000		4	SPRING, COMPRESSION	iR2270 120V&iR2870 120V&iR3570&iR3570F&i R4570&iR4570F	
35	FC5-1024-000		1	ARM, SOLENOID, 3	iR2270 120V&iR2870 120V&iR3570&iR3570F&i R4570&iR4570F	
36	FC5-1054-000		1	COVER, DELIVERY SOLENOID, 1	iR2270 120V&iR2870 120V&iR3570&iR3570F&i R4570&iR4570F	
37	FL2-1205-000		1	SOLENOID	SL3 J7422 iR2270 120V&iR2870 120V&iR3570&iR3570F&i R4570&iR4570F	
38	FS5-1943-000		4	BUSHING	iR2270 120V&iR2870 120V&iR3570&iR3570F&i R4570&iR4570F	
39	FU5-3018-000		1	PULLEY, 30T/GEAR, 35T	iR2270 120V&iR2870 120V&iR3570&iR3570F&i R4570&iR4570F	
40	FU5-3021-000		1	PULLEY, 30T	iR2270 120V&iR2870 120V&iR3570&iR3570F&i R4570&iR4570F	
41	XA9-1386-000		1	SCREW, RS, M3X8	iR2270 120V&iR2870 120V&iR3570&iR3570F&i R4570&iR4570F	
42	XF2-4109-240		1	BELT, TIMING, COGGED	iR2270 120V&iR2870 120V&iR3570&iR3570F&i R4570&iR4570F	
501	XB4-5300-805		2	SCREW, P, M3X8	iR2270 120V&iR2870 120V&iR3570&iR3570F&i R4570&iR4570F	
502	XB1-2300-405		3	SCREW, MACH, BH, M3X4	iR2270 120V&iR2870 120V&iR3570&iR3570F&i R4570&iR4570F	
503	XB4-5401-205		10	SCREW, P, M4X12	iR2270 120V&iR2870 120V&iR3570&iR3570F&i R4570&iR4570F	
504	XD2-1100-502		6	RING, E	iR2270 120V&iR2870 120V&iR3570&iR3570F&i R4570&iR4570F	

FIGURE & KEY NO.	PARTS NUMBER	R A N K	Q'TY	DESCRIPTION	SERIAL NUMBER/ REMARKS	S V C
505	XD3-2200-122		1	PIN. DOWEL	iR2270 120V&iR2870 120V&iR3570&iR3570F&i R4570&iR4570F	

**FIGURE 460**  
**LASER SCANNER ASSEMBLY**

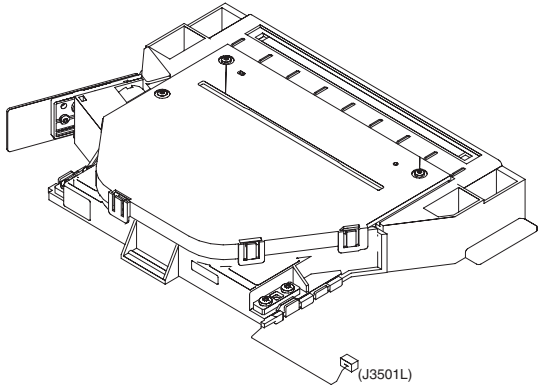


FIGURE & KEY NO.	PARTS NUMBER	RANK	Q'TY	DESCRIPTION	SERIAL NUMBER/REMARKS	SVC
Fig.460	FM2-0276-000		1	LASER SCANNER ASSEMBLY	iR2270&iR2270F&iR2870 &iR2870F J3501L	
Fig.460	FM2-0334-000		1	LASER SCANNER ASSEMBLY	iR4570&iR4570F&iR3570 &iR3570F J3501L	

# FIGURE 500 DRUM CARTRIDGE ASSEMBLY

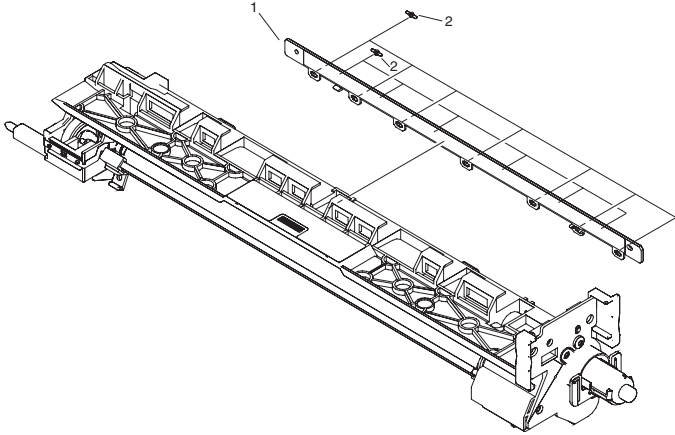


FIGURE & KEY NO.	PARTS NUMBER	RANK	Q'TY	DESCRIPTION	SERIAL NUMBER/REMARKS	SVC
Fig.500	NPN		RF	DRUM CARTRIDGE ASSEMBLY		
1	FL2-0322-000		1	MOUNT, ROWEL		
2	FB5-5279-000		13	ROWEL, 4		

# FIGURE 621 HOPPER ASSEMBLY

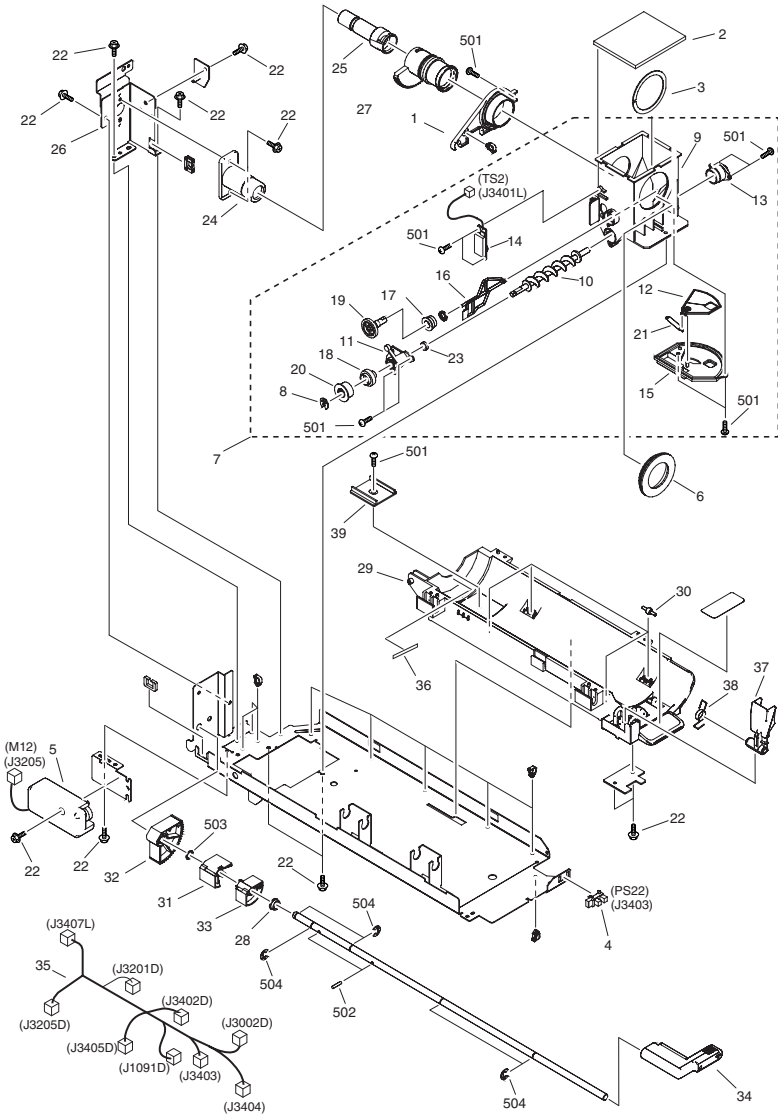


FIGURE & KEY NO.	PARTS NUMBER	R A N K	Q'TY	DESCRIPTION	SERIAL NUMBER/ REMARKS	S V C
Fig.621	FM2-0286-000		1	HOPPER ASSEMBLY		
1	FC5-1208-000		1	HOLDER, GUIDE		
2	FC5-1209-000		1	COVER, HOPPER		
3	FC5-1221-000		1	RING, SEAL		
4	FK2-0149-000		1	PHOTO-INTERRUPTER, TLP1253(C6)	PS22 J3403	
5	FK2-0379-000		1	MOTOR, DC	M12 J3205	
6	FL2-0309-000		1	BASE, SEAL		
7	FM2-0290-000		1	SUB HOPPER UNIT		
8	FA3-8727-000		1	RETAINING RING		
9	FC5-1214-000		1	HOPPER, SUB		
10	FC5-1210-000		1	SCREW		
11	FC5-1211-000		1	FRANGE, SCREW		
12	FC5-1265-000		1	SHUTTER		
13	FC5-1274-000		1	CAP, SCREW		
14	FK2-0358-000		1	SENSOR, TONER	TS2 J3201L	
15	FL2-0307-000		1	MOUNT, SHUTTER		
16	FL2-0313-000		1	ROD, STIRRING		
17	FS2-1014-000		1	BUSHING, PL		
18	FU5-0108-000		1	GEAR, 18T		
19	FU5-0109-000		1	GEAR, 22T		
20	FU5-0115-000		1	GEAR, 17T		
21	FU5-2089-000		1	SPRING		
22	XA9-1386-000		10	SCREW,RS,M3X8		
23	XG9-0111-000		1	SEAL, OIL		
24	FC5-1205-000		1	BUSHING		
25	FC5-1206-000		1	SHAFT, COUPLING		
26	FL2-0295-000		1	MOUNT, BUSHING		
27	FL2-0308-000		1	HOLDER, RELEASE		
28	FA9-2112-000		2	BUSHING, PL		
29	FC5-1201-000		1	BASE, BOTTLE		
30	FC5-1269-000		4	ROLLER		
31	FC5-1215-000		1	CAM, BOTTLE SLIDE		

FIGURE & KEY NO.	PARTS NUMBER	RANK	Q'TY	DESCRIPTION	SERIAL NUMBER/REMARKS	SVC
32	FC5-1217-000		1	GEAR,		
33	FC5-1268-000		1	CAM, BOTTLE SLIDE		
34	FC5-1218-000		1	LEVER, SET		
35	FM2-2839-000		1	HARNES HOPPER	J1091D,J3002D,J3201D,J3205D,J3402D,J3403,J3404,J3405D,J3407L	
36	FC6-5087-000		1	SHEET, BOTTLE LIMIT		
37	FC5-7206-000		1	ARM, LOCK	iR2270&iR2270F&iR2870&iR2870F	
37	FC6-2900-000		1	ARM, LOCK	iR4570&iR4570F&iR3570&iR3570F	
38	FU6-2012-000		1	SPRING		
39	FC6-2899-000		1	BASE, BOTTLE	iR2270&iR2270F&iR2870&iR2870F	
501	XB4-5300-607		10	SCREW,P,M3X6		
502	XD3-2300-142		2	PIN, DOWEL		
503	XD1-1108-218		1	SHIM		
504	XD2-1100-642		5	RING,E		

FIGURE 640  
DEVELOPING ASSEMBLY

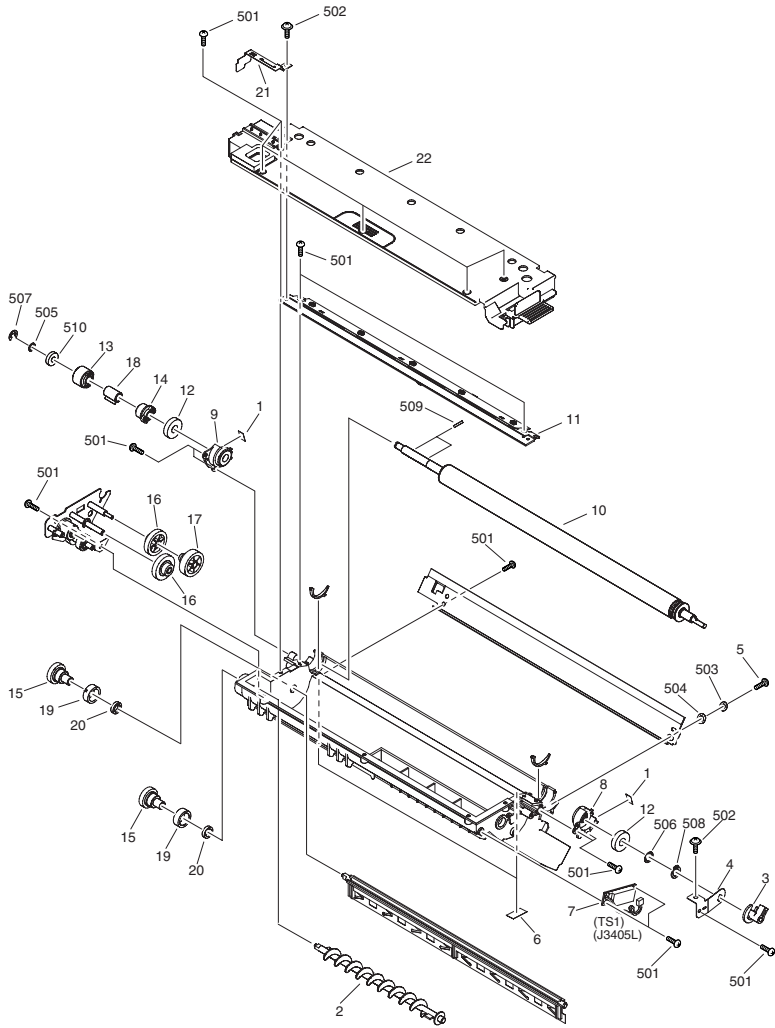




FIGURE & KEY NO.	PARTS NUMBER	R A N K	Q'TY	DESCRIPTION	SERIAL NUMBER/ REMARKS	S V C
Fig.640	FM2-0287-000		1	DEVELOPING ASSEMBLY	TS1 J3405L	
1	FB1-6715-000		2	SHEET		
2	FC5-1239-000		1	SCREW		
3	FC5-1246-000		1	GUIDE, SLEEVE, FRONT		
4	FC5-1249-000		1	PLATE, ANGLE ADJUSTMENT		
5	FC6-2909-000		1	SCREW, STEPPED, M3		
6	FC6-2937-000		2	TAPE,PLATE END SEAL		
7	FK2-0358-000		1	SENSOR, TONER		
8	FL2-0291-000		1	HOLDER, SLEEVE, FRONT		
9	FL2-0292-000		1	HOLDER, SLEEVE, REAR		
10	FL2-0290-000		1	DEVELOPING CYLINDER UNIT		
11	FM2-0289-000		1	BLADE UNIT		
12	FS5-6448-000		2	ROLLER, 1		
13	FU5-0110-000		1	GEAR, 20T		
14	FU5-0111-000		1	GEAR, 16T		
15	FU5-0112-000		2	GEAR, 24T		
16	FU5-0113-000		2	GEAR, 31T/13T		
17	FU5-0114-000		1	GEAR, 31T/13T		
18	FU5-1026-000		1	BUSHING		
19	FU5-1031-000		2	BUSHING		
20	X71-9310-000		2	SEAL, OIL		
21	FC5-1251-000		1	PLATE, DEVELOPING CONTACT		
22	FL2-0303-000		1	COVER, TOP		
501	XB4-5300-607		16	SCREW,P,M3X6		
502	XB6-7300-607		2	SCREW, TP, M3X6		
503	XD1-1104-634		1	WASHER,COP		
505	XD1-1106-215		1	WASHER,COP		
506	XD1-1108-215		1	WASHER,COP		
507	XD2-1100-502		1	RETAINING RING (E-TYPE)		
508	XD2-2100-802		1	GRIP RING (D=8)		
509	XD3-2200-142		1	PIN, PARALLEL		
510	XG9-0521-000		1	BALL BEARING, MR126ZZ		

# FIGURE 810 FIXING ASSEMBLY

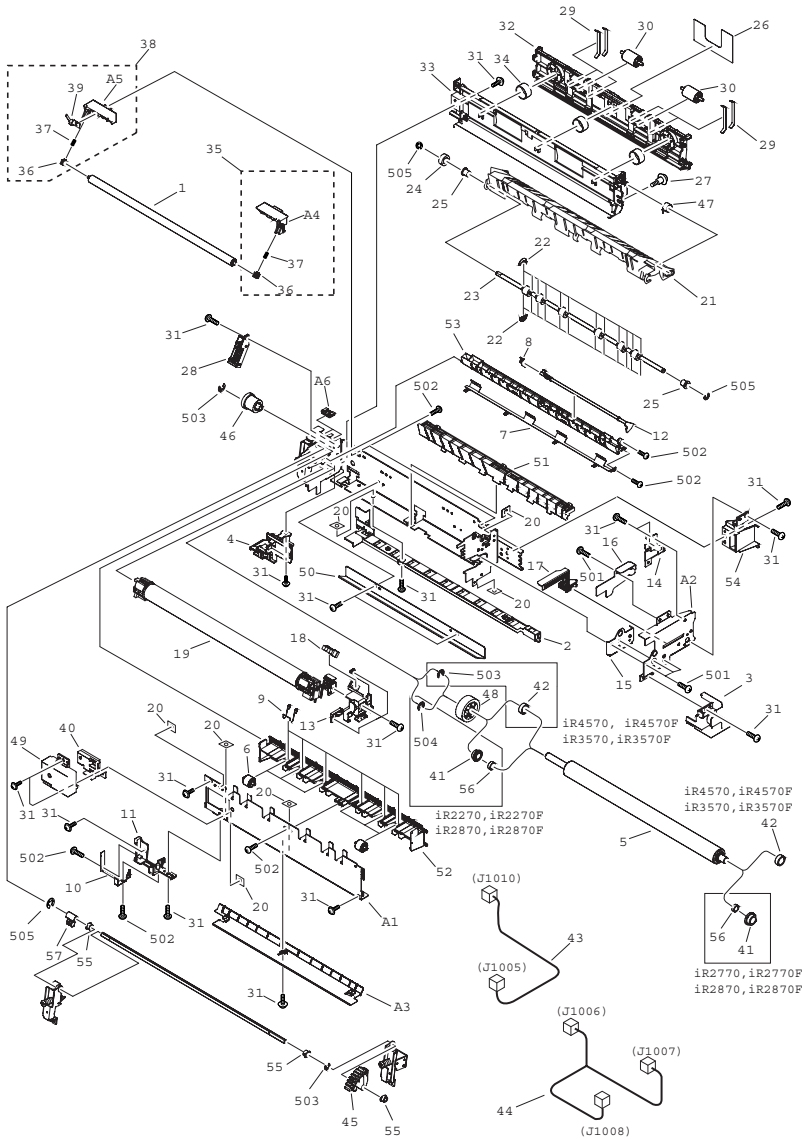


FIGURE & KEY NO.	PARTS NUMBER	R A N K	Q'TY	DESCRIPTION	SERIAL NUMBER/ REMARKS	S V C
Fig.810	FM2-0292-000		1	FIXING ASSEMBLY	iR2270&iR2270F&iR2870 &iR2870F&100V	
Fig.810	FM2-0356-000		1	FIXING ASSEMBLY	iR2270&iR2870&120V	
Fig.810	FM2-0357-000		1	FIXING ASSEMBLY	iR2270&iR2870&230V	
Fig.810	FM2-1786-000		1	FIXING ASSEMBLY	iR4570&iR3570&120V	
Fig.810	FM2-1787-000		1	FIXING ASSEMBLY	iR4570&iR3570&230V	
Fig.810	FM2-1774-000		1	FIXING ASSEMBLY	iR4570&iR4570F&iR3570 &iR3570F&100V	
1	FB5-4931-000		1	ROLLER, FIXING HEATSINK		
2	FC5-1131-000		1	GUIDE, FIXING CABLE, LOWER		
3	FC5-1341-000		1	GUIDE, FIXING CABLE, FRONT		
4	FC5-1351-000		1	GUARD, FILM SENSOR		
5	FC6-2942-000		1	ROLLER, PRESSURE	iR2270&iR2270F&iR2870 &iR2870F	
5	FC6-7207-000		1	ROLLER, PRESSURE	iR4570&iR4570F&iR3570 &iR3570F	
6	FC5-1358-000		6	COLLAR, FIXING DELIVERY		
7	FC5-1360-000		1	ELIMINATOR, STATIC CHARGE		
8	FC5-1367-000		1	SPRING,SENSOR LEVER		
9	FC5-1368-000		6	SPRING		
10	FC5-1383-000		1	BRUSH, FILM BIAS		
11	FC5-1384-000		1	GUIDE, FILM BIAS		
12	FC5-7160-000		1	LEVER, SENSOR		
13	FC6-2920-000		1	COVER, AC CONNECTOR		
14	FC6-2924-000		1	GUIDE, RELEASE		
15	FC6-2925-000		1	PLATE, PRESSURE ADJUST, SMALL		
16	FC6-2927-000		1	PLATE, RACK AUXILIARY		
17	FC6-2929-000		1	RACK, PRESSURE RELEASE		
18	FK2-0149-000		1	PHOTO-INTERRUPTER, TLP1253(C6)		
19	FM2-0293-000		1	FIXING FILM UNIT	iR2270&iR2270F&iR2870 &iR2870F&100V	
19	FM2-0358-000		1	FIXING FILM UNIT	iR2270&iR2870&120V	
19	FM2-0359-000		1	FIXING FILM UNIT	iR2270&iR2870&230V	
19	FM2-1793-000		1	FIXING FILM UNIT	iR4570&iR3570&120V	
19	FM2-1794-000		1	FIXING FILM UNIT	iR4570&iR3570&230V	

FIGURE & KEY NO.	PARTS NUMBER	R A N K	Q'TY	DESCRIPTION	SERIAL NUMBER/ REMARKS	S V C
19	FM2-1792-000		1	FIXING FILM UNIT	iR4570&iR4570F&iR3570 &iR3570F&100V	
20	FC6-5085-000		7	CAP, DUST		
21	FC5-1356-000		1	GUIDE, FIXING DELIVERY, LOWER		
22	FC6-2941-000		24	ROLLER		
23	FC6-2943-000		1	ROLLER, FIXING DELIVERY		
24	FU6-0023-000		1	GEAR, 15T		
25	RS1-1087-000		1	BUSHING		
26	FC5-0655-000		1	LABEL, HIGH TEMP. CAUTION		
27	FS1-9009-020		1	SCREW, STEPPED, M3		
28	FM2-0296-000		1	RESISTOR HOLDER MOUNTING UNIT		
29	FB4-2930-000		8	SPRING, LEAF		
30	FB5-4773-000		2	ROLLER, DUPLEXING		
31	XA9-0702-000		20	SCREW, WWASHER, M3X6		
32	FC5-0697-000		1	GUIDE, DUPLEXINNG FEEDER, UPPE		
33	FC5-7156-000		1	MOUNT, DUPLEXING FEEDER		
34	FU5-2073-000		3	SPRING, COMPRESSION		
35	FM2-0299-000		1	CLEANING ROLLER MOUNT UNIT,F.		
36	FS5-1945-000		2	BUSHING		
37	FU5-2102-000		2	SPRING		
38	FM2-0300-000		1	CLEANING ROLLER MOUNT UNIT,R.		
39	FB5-4930-000		1	PLATE, CLEANING ROLLER		
40	FM2-2769-000		1	FIXING SPEED SENSOR PCB UNIT		
41	RS5-1446-000		2	BUSHING	iR2270&iR2270F&iR2870 &iR2870F	
42	XG9-0387-000		2	BEARING, BALL, L-1680HH LY13	iR4570&iR4570F&iR3570 &iR3570F	
43	FM2-2847-000		1	CABLE, THERMISTOR CONNECTING	J1010,J1005	
44	FM2-2857-000		1	CABLE, FIXING	J1006,J1007,J1008	
45	FC6-2928-000		1	GEAR, 36T		
46	FU5-0129-000		1	GEAR, 17T/19T		
47	FU6-2021-000		1	SPRING, FIXING GUIDE, LOWER		
48	FU5-0127-000		1	GEAR, 27T	iR2270&iR2270F&iR2870 &iR2870F	

FIGURE & KEY NO.	PARTS NUMBER	R A N K	Q'TY	DESCRIPTION	SERIAL NUMBER/ REMARKS	S V C
48	FU6-0021-000		1	GEAR, 27T	iR4570&iR4570F&iR3570 &iR3570F	
49	FC6-4627-000		1	COVER, SENSOR		
50	FC5-1346-000		1	ELIMINATOR, STATIC CHARGE	iR2270&iR2270F&iR2870 &iR2870F	
50	FC5-7228-000		1	ELIMINATOR, STATIC CHARGE	iR4570&iR4570F&iR3570 &iR3570F	
51	FC5-1348-000		1	GUIDE, FIXING INLET		
52	FC5-1353-000		1	GUIDE, FIXING DELIVERY, UPPER		
53	FC5-1382-000		1	GUIDE, FIXING DELIVERY FIX, L.		
54	FC5-1343-000		1	COVER, FIXING FRAME		
55	FS1-1512-000		3	BUSHING, PL		
56	FC5-7182-000		2	HOUSING, BEARING		
57	FC5-1345-000		1	LEVER, PRESSURE		
501	XB1-2300-409		6	SCREW, MACHINE M3X4		
502	XB4-5300-607		7	SCREW,P,M3X6		
503	XD2-1100-502		3	RETAINING RING (E-TYPE)		
504	XD2-1100-642		1	RING,E	iR2270&iR2270F&iR2870 &iR2870F	
505	XD2-1100-242		3	WASHER, RETAINING		

# FIGURE 900 CONTROLLER BOX ASSEMBLY

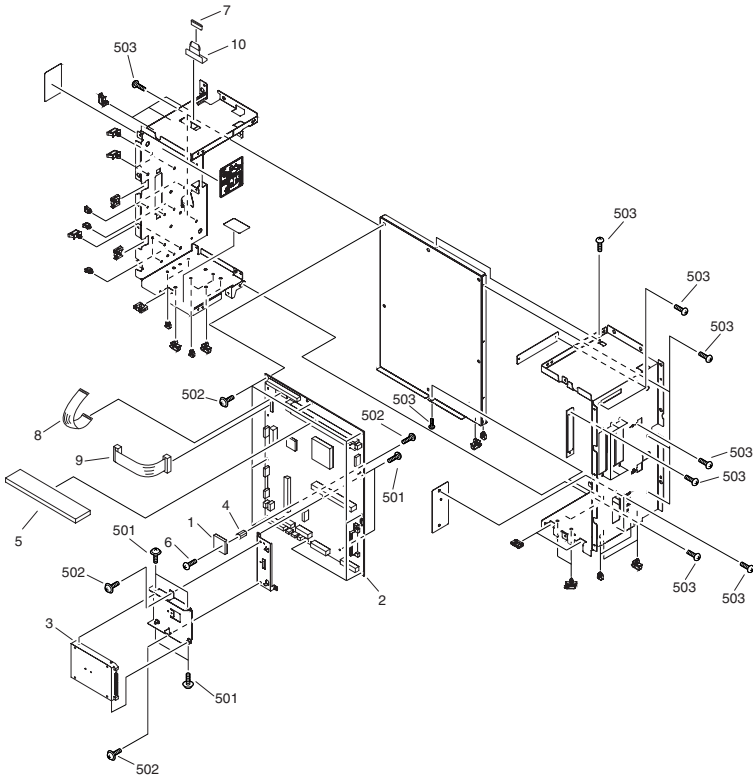


FIGURE & KEY NO.	PARTS NUMBER	RANK	Q'TY	DESCRIPTION	SERIAL NUMBER/REMARKS	SVC
Fig.900	NPN		RF	CONTROLLER BOX ASSEMBLY		
1	FM2-2799-000		1	COUNTER PCB ASSEMBLY		
2	FM2-3226-000		1	BOARD, BW3 CONTROLLER		
3	WM2-5216-000		1	HDD, HTS541020G9AT00		
4	VT2-5018-000		1	SPACER		
5	WA7-3296-000		2	DIMM, MT8LSDT3264AY-133, SDRAM	J1004	
6	XA9-0465-000		1	SCREW, W/WASHER, M3X4		
7	WE8-5764-000		1	CORE, FERRITE		
8	FK2-0407-000		1	CABLE, FLAT		
9	FK2-0405-000		1	CABLE, FLAT		
10	FC5-5089-000		1	SHEET, CORE SUPPORT		
501	XB2-8300-607		4	SCREW, M3X6, S		
502	XB6-7300-000		11	SCREW, TP, M3X6		
503	XB1-2300-607		25	SCREW, BH3X6(S)		
IC1003	FH4-6300-000		1	IC, M38871M2-010GP, MCU		
IC1005	FH4-6145-000		1	IC, GATE ARRAY		
IC1006	FH4-6218-000		1	IC, UPD89410S1, STANDARD CELL		
IC1009	FH4-6302-000		1	IC,S1L50552F32L000,ASIC		

**FIGURE 910**  
**MAIN POWER SUPPLY PCB ASSEMBLY**

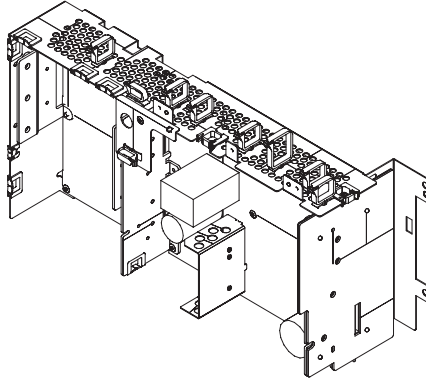


FIGURE & KEY NO.	PARTS NUMBER	RANK	Q'TY	DESCRIPTION	SERIAL NUMBER/REMARKS	SVC
Fig.910	FM2-0260-000		1	MAIN POWER SUPPLY PCB ASSEMBLY	100V&120V	
Fig.910	FM2-0245-000		1	MAIN POWER SUPPLY PCB ASSEMBLY	230V	



# FIGURE 930 DC CONTROLLER PCB ASSEMBLY

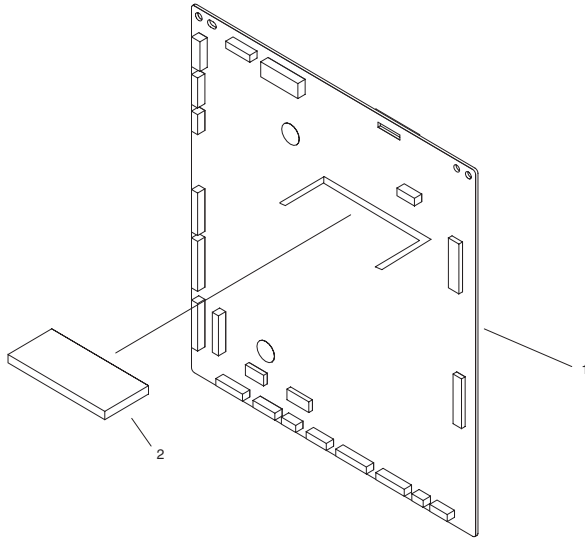


FIGURE & KEY NO.	PARTS NUMBER	RANK	Q'TY	DESCRIPTION	SERIAL NUMBER/REMARKS	SVC
Fig.930	NPN		RF	DC CONTROLLER PCB ASSEMBLY		
1	FM2-2767-000		1	DC CONTROLLER PCB ASSEMBLY	iR2270&iR2270F&iR2870 &iR2870F	
1	FM2-2779-000		1	DC CONTROLLER PCB ASSEMBLY	iR4570&iR4570F&iR3570 &iR3570F	
2	FM2-2774-000		1	FLASH DIMM PCB ASSEMBLY	J381	
IC2	FH4-6204-000		1	IC, S1L50993F22H000,GATE-ARRAY		
IC8	FH4-6300-000		1	IC, M38871M2-010GP, MCU		

# FIGURE 931 READER CONTROLLER PCB ASSEMBLY

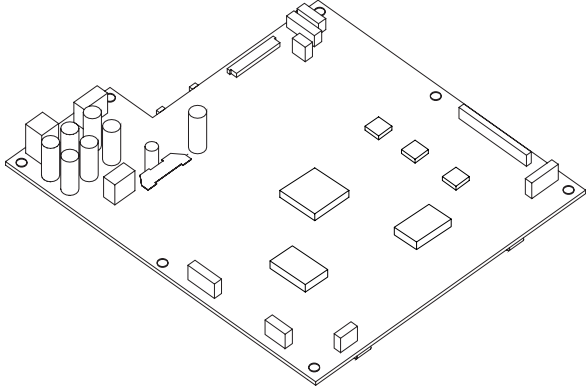


FIGURE & KEY NO.	PARTS NUMBER	RANK	Q'TY	DESCRIPTION	SERIAL NUMBER/REMARKS	SVC
Fig.931	FG3-3765-000		1	READER CONTROLLER PCB ASSEMBLY		
IC520	FH4-6313-000		1	IC,MB87M4560PMT, ASIC		
IC522	FH4-1429-000		1	IC, HD6432323A01F, MCU		

# FIGURE 990 FAX ASSEMBLY

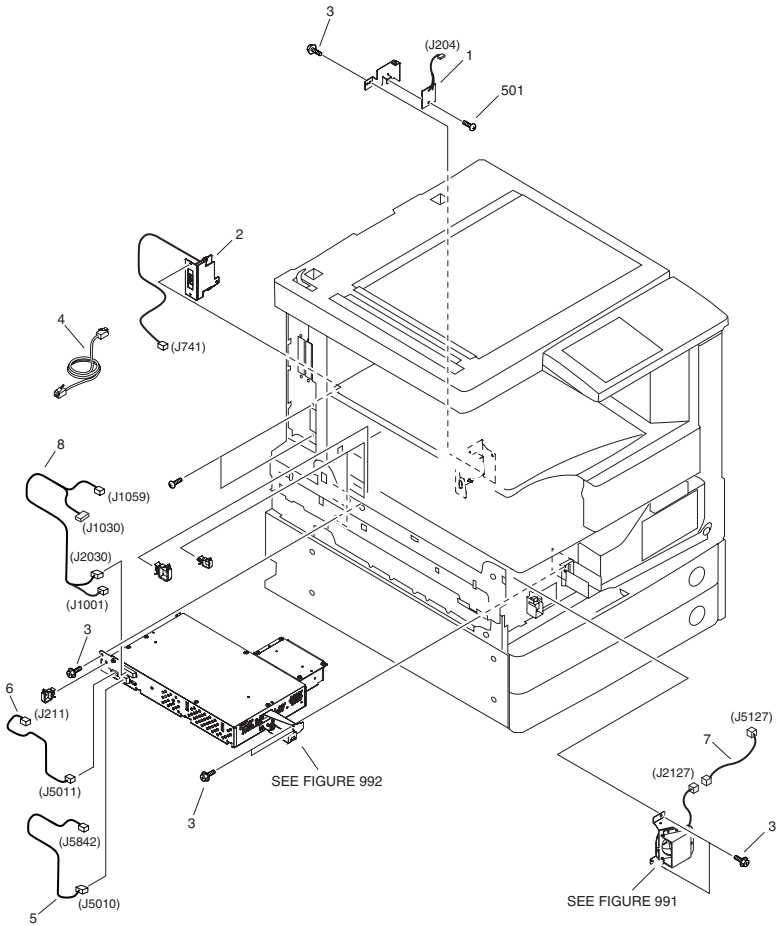


FIGURE & KEY NO.	PARTS NUMBER	R A N K	Q'TY	DESCRIPTION	SERIAL NUMBER/ REMARKS	S V C
Fig.990	NPN		RF	FAX ASSEMBLY	iR2270F&iR2870F&iR4570F&iR3570F	
1	FM2-2973-000		1	ARRESTER PCB ASSEMBLY	iR2270F&iR2870F&iR4570F&iR3570F J204	
2	FM2-0343-000		1	G3 MODULAR PCB ASSEMBLY	iR2270F&iR2870F&iR4570F&iR3570F J741	
3	XA9-1386-000		5	SCREW,RS,M3X8	iR2270F&iR2870F&iR4570F&iR3570F	
4	HH2-2830-000		1	CORD, MODULAR	iR2270F&iR2870F&iR4570F&iR3570F	
5	FM2-2863-000		1	CABLE, POWER SUPPLY	iR2270F&iR2870F&iR4570F&iR3570F J5010,5842	
6	FM2-3120-000		1	CABLE, FAX INNER ARRESTER/MJ	iR2270F&iR2870F&iR4570F&iR3570F J211,5011	
7	FM2-3129-000		1	CABLE, SPEAKER CONNECT	iR2270F&iR2870F&iR4570F&iR3570F J2127,5127	
8	FM2-3130-000		1	CABLE, FAX INNER CONTROL	iR2270F&iR2870F&iR4570F&iR3570F J1001,1030,1059,2030	
501	XB6-7300-607		1	SCREW, TP, M3X6	iR2270F&iR2870F&iR4570F&iR3570F	

# FIGURE 991 SPEAKER ASSEMBLY

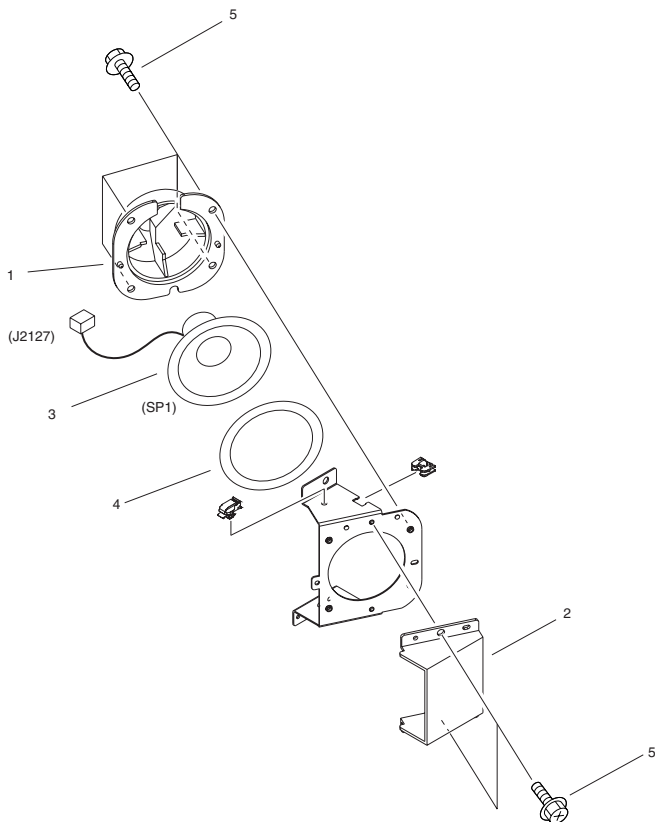


FIGURE & KEY NO.	PARTS NUMBER	RANK	Q'TY	DESCRIPTION	SERIAL NUMBER/REMARKS	SVC
Fig.991	FM2-0342-000		1	SPEAKER ASSEMBLY	iR2270F&iR2870F&iR4570F&iR3570F	
1	FC5-5472-000		1	HOLDER, SPEAKER	iR2270F&iR2870F&iR4570F&iR3570F	
2	FC5-5473-000		1	DUCT, SPEAKER	iR2270F&iR2870F&iR4570F&iR3570F	
3	FH5-3550-000		1	SPEAKER	iR2270F&iR2870F&iR4570F&iR3570F SP1 J2127	
4	FB5-5130-000		1	DAMPER, RUBBER	iR2270F&iR2870F&iR4570F&iR3570F	
5	XA9-1386-000		6	SCREW,RS,M3X8	iR2270F&iR2870F&iR4570F&iR3570F	

# FIGURE 992 FAX BOARD PCB ASSEMBLY

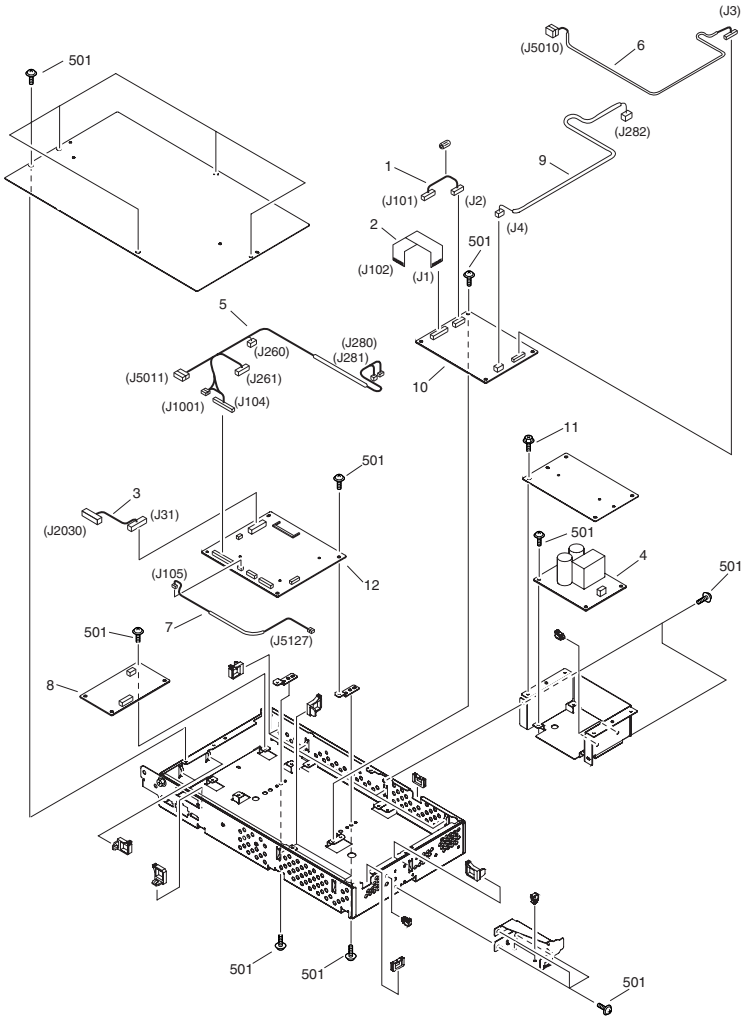


FIGURE & KEY NO.	PARTS NUMBER	R A N K	Q'TY	DESCRIPTION	SERIAL NUMBER/ REMARKS	S V C
Fig.992	FM2-0244-000		1	FAX BOARD PCB ASSEMBLY	iR2270F&iR2870F&iR457 0F&iR3570F	
1	FG3-2826-000		1	CABLE, G3 ANALOG	iR2270F&iR2870F&iR457 0F&iR3570F J2,101	
2	FH2-7072-000		1	CABLE, FLEXIBLE	iR2270F&iR2870F&iR457 0F&iR3570F J1,102	
3	FM2-3122-000		1	CABLE, MODEM	iR2270F&iR2870F&iR457 0F&iR3570F J31,2030	
4	FM2-2773-000		1	PSEUDO CI PCB ASSEMBLY	iR2270F&iR2870F&iR457 0F&iR3570F	
5	FM2-3123-000		1	CABLE, FAX INNER POWER SUPPLY	iR2270F&iR2870F&iR457 0F&iR3570F J104,260,261,280,281,10 01,5011	
6	FM2-3124-000		1	CABLE, FAX INNER M.J.	iR2270F&iR2870F&iR457 0F&iR3570F J3,5010	
7	FM2-3127-000		1	CABLE, SPEAKER	iR2270F&iR2870F&iR457 0F&iR3570F J105,5127	
8	FM2-0860-000		1	G3 FAX PS PCB ASSEMBLY	iR2270F&iR2870F&iR457 0F&iR3570F	
9	FM2-3128-000		1	CABLE, PSEUDO CI HIGH VOLTAGE	iR2270F&iR2870F&iR457 0F&iR3570F J4,282	
10	FM2-2790-000		1	NCU PCB ASSEMBLY	iR2270F&iR2870F&iR457 0F&iR3570F	
11	XA9-1386-000		5	SCREW,RS,M3X8	iR2270F&iR2870F&iR457 0F&iR3570F	
12	FM2-2789-000		1	MODEM PCB ASSEMBLY	iR2270F&iR2870F&iR457 0F&iR3570F	
501	XB6-7300-607		28	SCREW, TP, M3X6	iR2270F&iR2870F&iR457 0F&iR3570F	



**FIGURE 994**  
**DELIVERY CONTROLLER PCB ASS'Y**

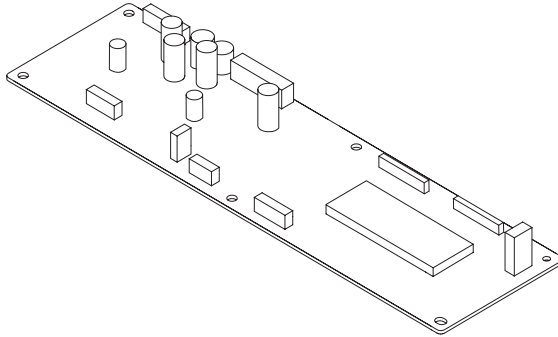


FIGURE & KEY NO.	PARTS NUMBER	RANK	Q'TY	DESCRIPTION	SERIAL NUMBER/REMARKS	SVC
Fig.994	FM2-3221-000		1	DELIVERY CONTROLLER PCB ASS'Y	iR2270 120V&iR2870 120V&iR3570&iR3570F&iR4570&iR4570F	
IC10	FH4-6204-000		1	IC, S1L50993F22H000, GATE-ARRA	iR2270 120V&iR2870 120V&iR3570&iR3570F&iR4570&iR4570F	



Prepared by  
OFFICE IMAGING PRODUCTS QUALITY ASSURANCE CENTER  
CANON INC.

**Canon**