

Issued by Canon Europa N.V.

**Model:**

iR2230  
iR2270  
iR2870  
iR3530  
iR3570  
iR4570

**Ref No.:**

iR4570-009  
(F1-T01-0M4-10021-01)

**Date:**

28-01-05

**Location:**

Fixing assembly (Removal of the inside delivery cover unit)

**Subject:**

Addition of the points to note in disassembly/assembly

**1. Detail**

Points to note when the inside delivery cover unit of the fixing assembly is disassembled and assembled have been added as follows.

- A point to note when the inside delivery cover unit is removed

A point to note has been added in order to prevent a guide from detaching from the inside delivery cover unit.

- A procedure to attach the guide

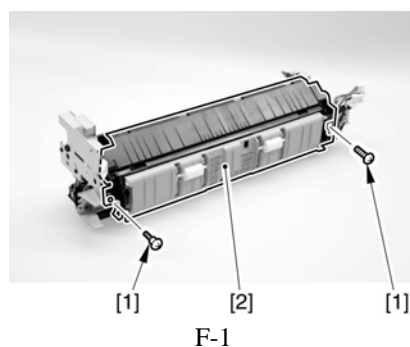
A procedure to attach the guide has been added for the case of dropping off.

- Installation of the inside delivery cover unit

Points to note have been added in order to prevent the guide from dropping off and to prevent the duplexing feeder mount from damaging.

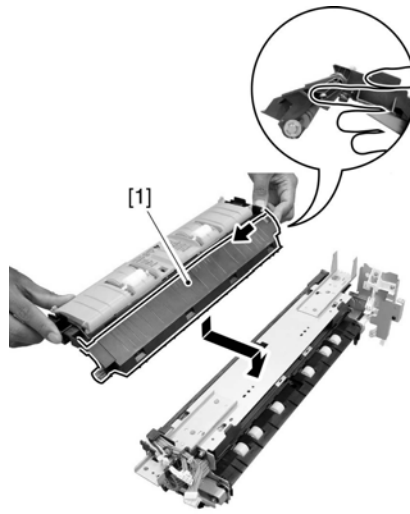
Old procedure is described below.

1) Remove the 2 screws [1], and detach the inside delivery cover unit [2].





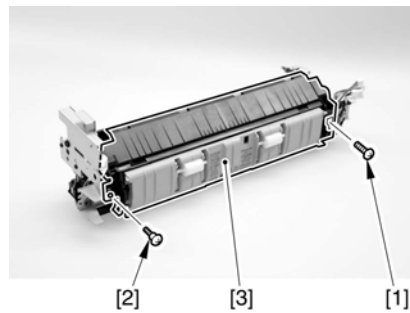
If you are mounting the inside delivery cover while assembling the fixing assembly, be sure to keep the guide [1] butted during the work. After mounting it, check to make sure that the guide [1] rotates smoothly.



F-2

New procedure is described below.

1) Remove the screw [1] and the stepped screw [2], and detach the inside delivery cover unit [3].

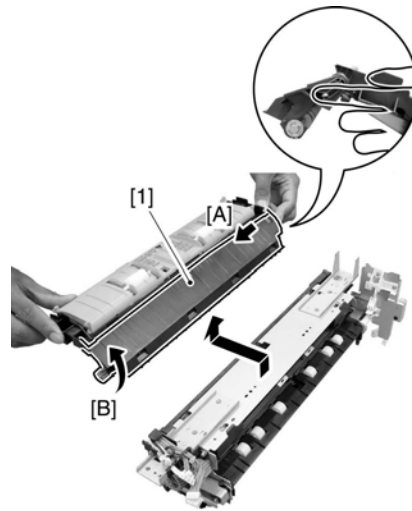


F-3

Note 1

Point to note when removing the inside delivery cover unit

Remove the inside delivery cover unit while supporting the guide [1] in the arrow direction A and opening it in the arrow direction B in the figure. Otherwise, the guide may come off the inside delivery cover unit.



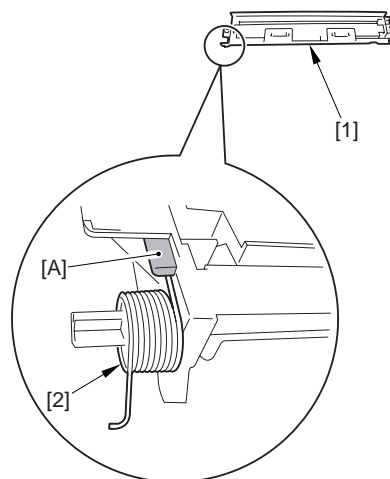
F-4

Note 2

Procedure for attaching the guide

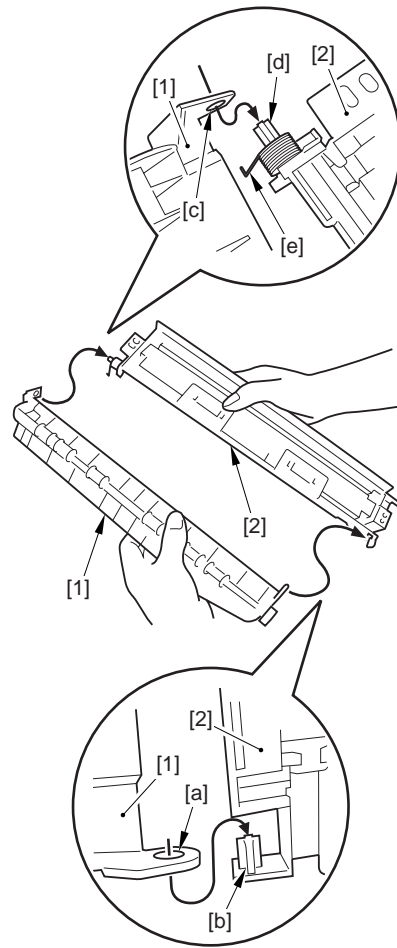
Perform the following steps if the guide has come off the inside delivery cover unit.

- 1) Attach the torsion spring [2] to the duplexing support feeder mount [1]. At this time, hook the edge of the torsion spring on the area A of the duplexing support feeder mount.



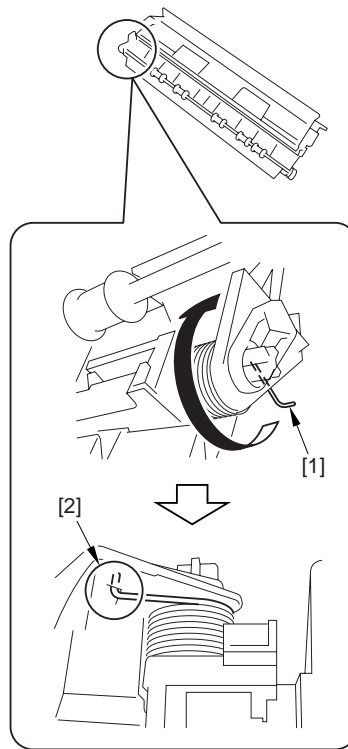
F-5

2) Attach the guide [1] to the duplexing support feeder mount [2]. At this time, fit [b] into [a] and [d] into [c]. Make sure that the edge [e] of the torsion spring is outside the guide.



F-6

3) Hook the edge [1] of the torsion spring on the spring-hook area [2] of the inside delivery cover.

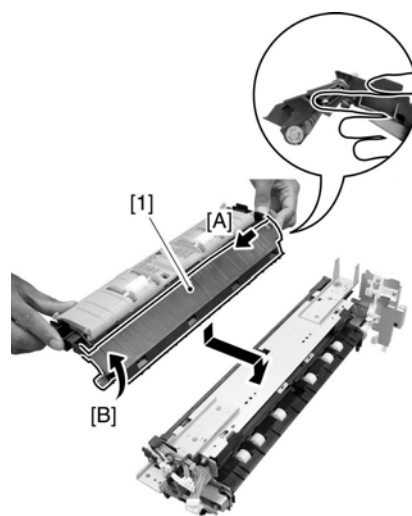


F-7

### Note 3

#### Attaching the inside delivery cover unit

1) Attach the inside delivery cover unit while supporting the guide [1] in the arrow direction A and opening it in the arrow direction B. Opening the guide can prevent it from coming off the inside delivery cover unit. After attaching, make sure that the guide [1] rotates smoothly.



F-8

2) Attach the screw [1] and the stepped screw [2], and fix the inside delivery cover unit [3].

