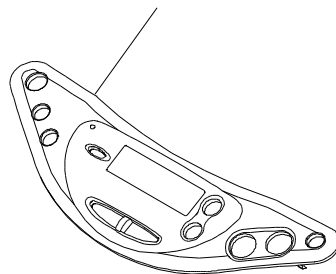
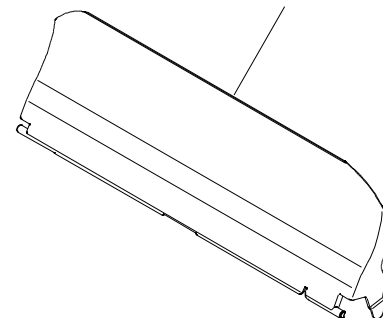


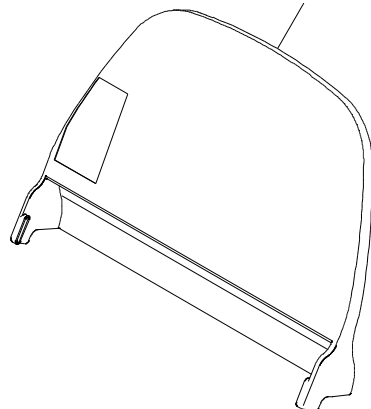
102 except for EURO CONTI.model



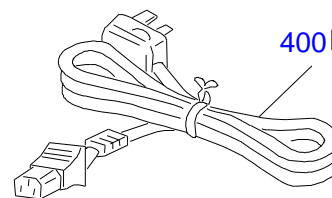
131

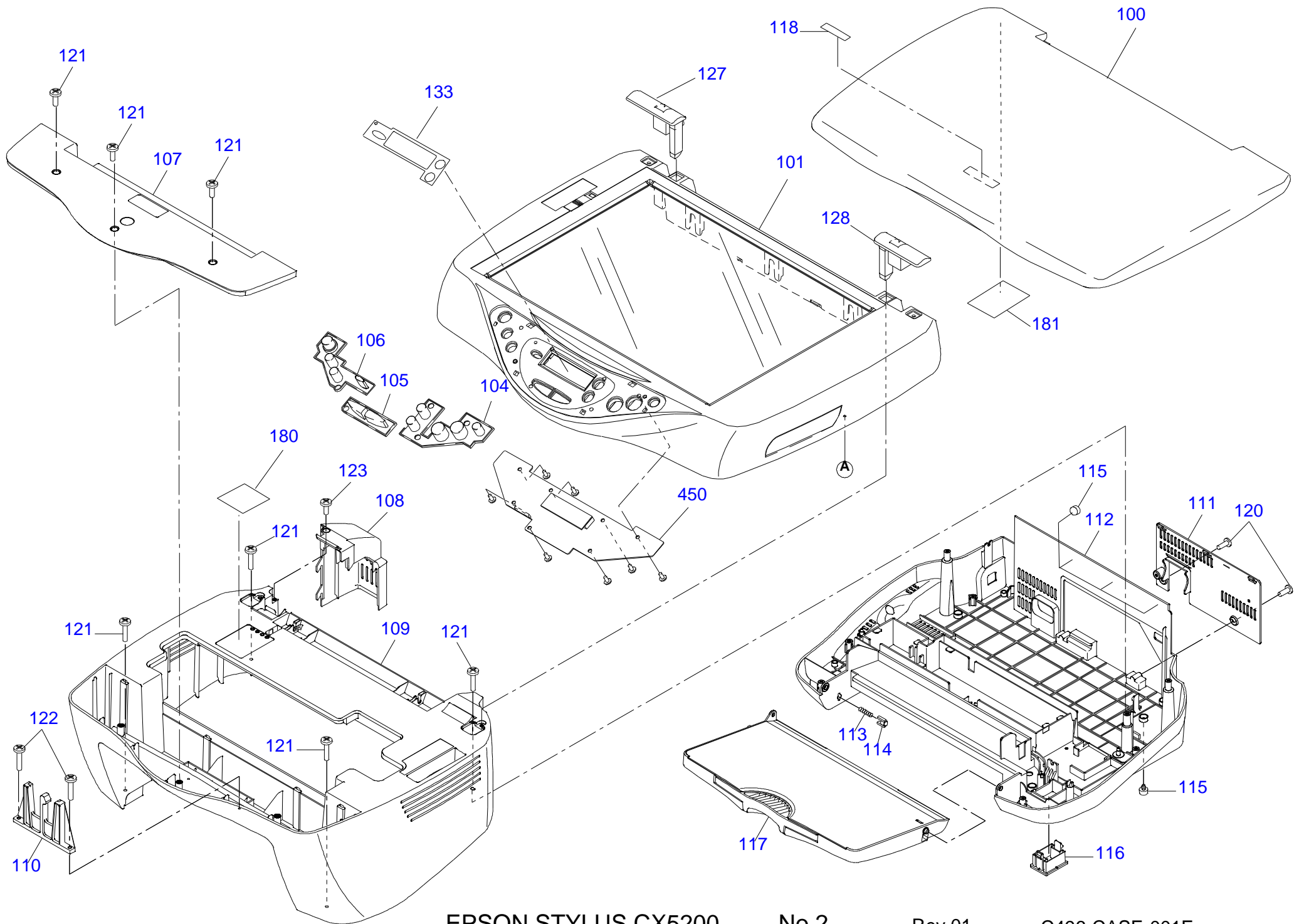


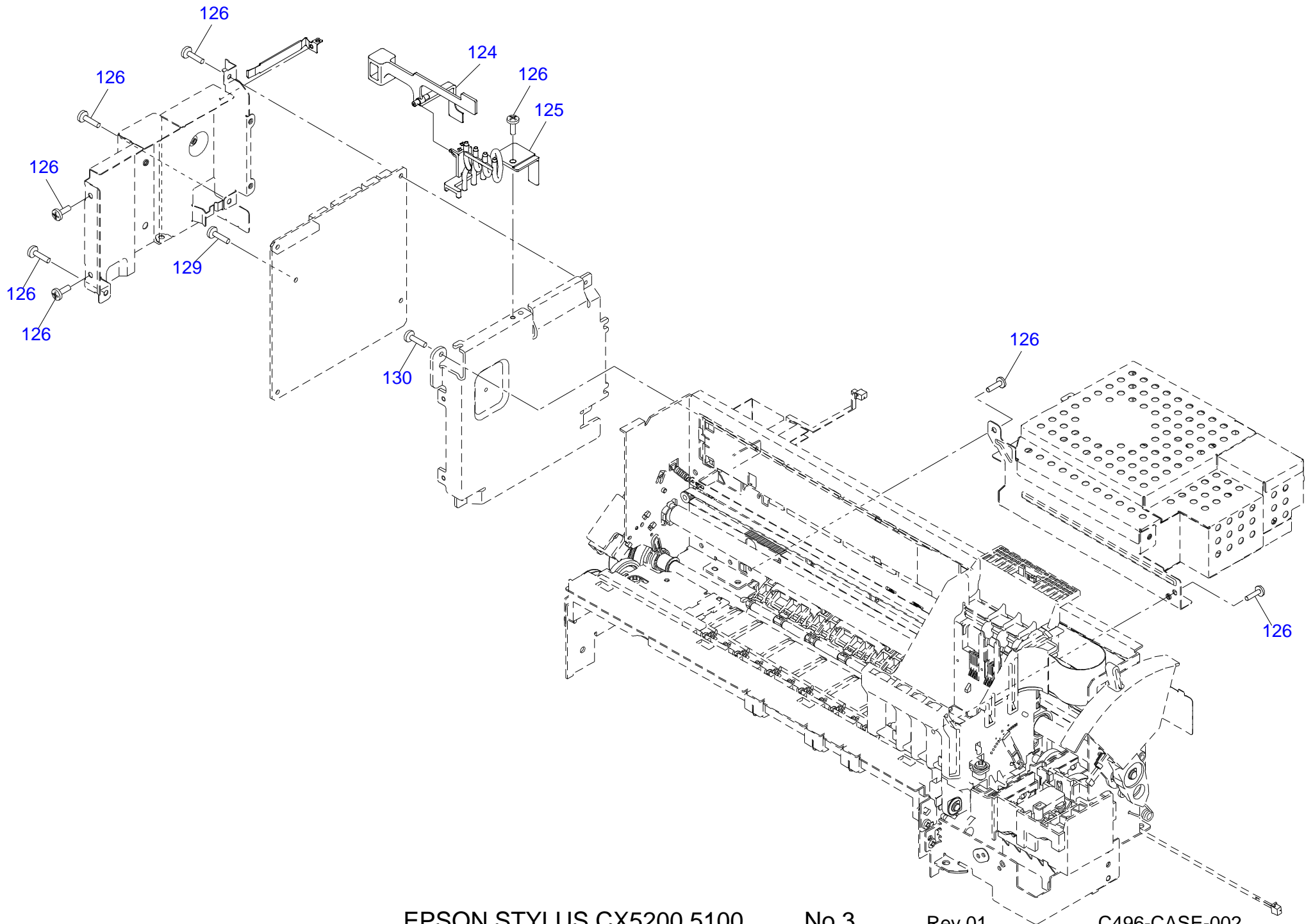
132



400 For 220V,240V





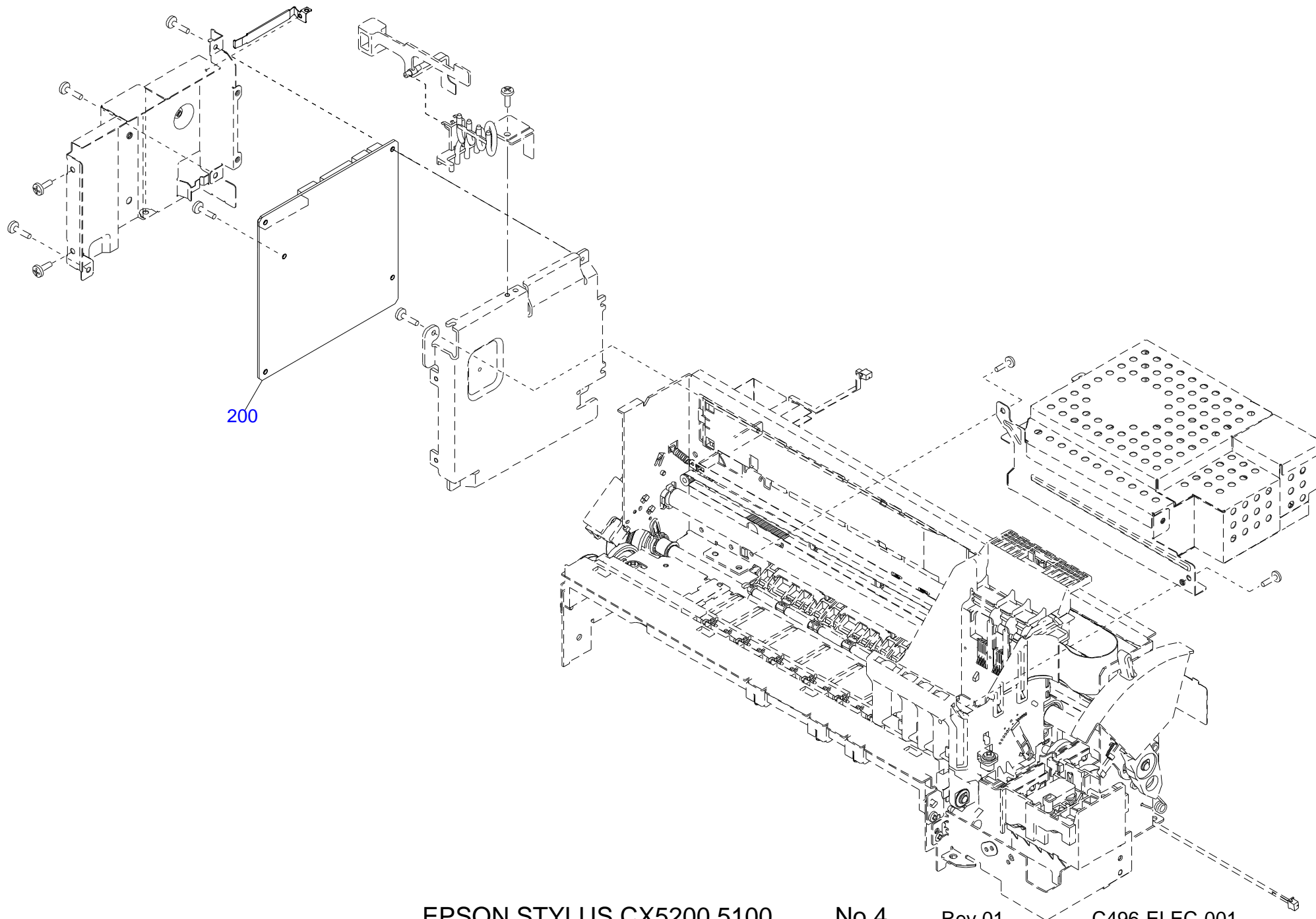


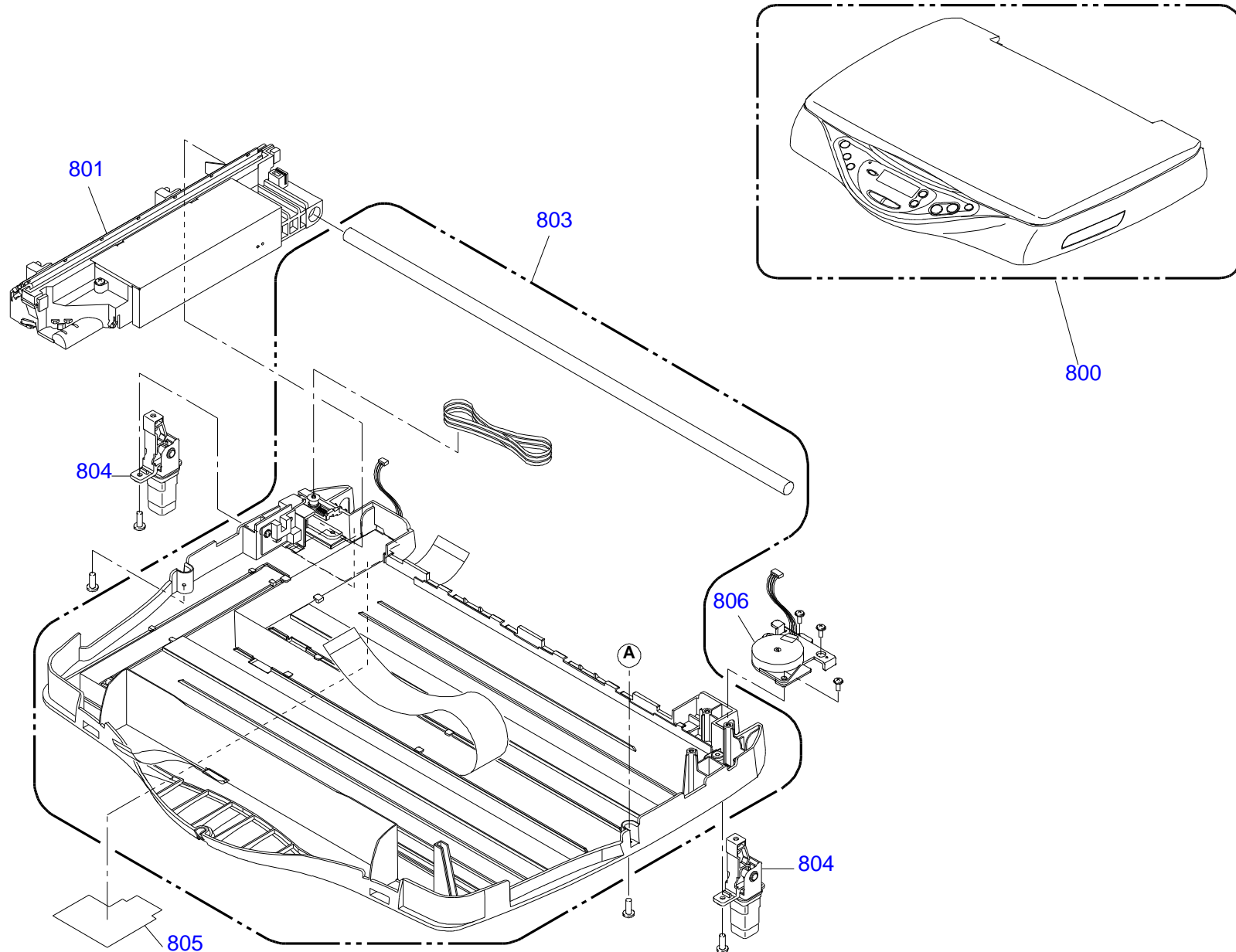
EPSON STYLUS CX5200,5100

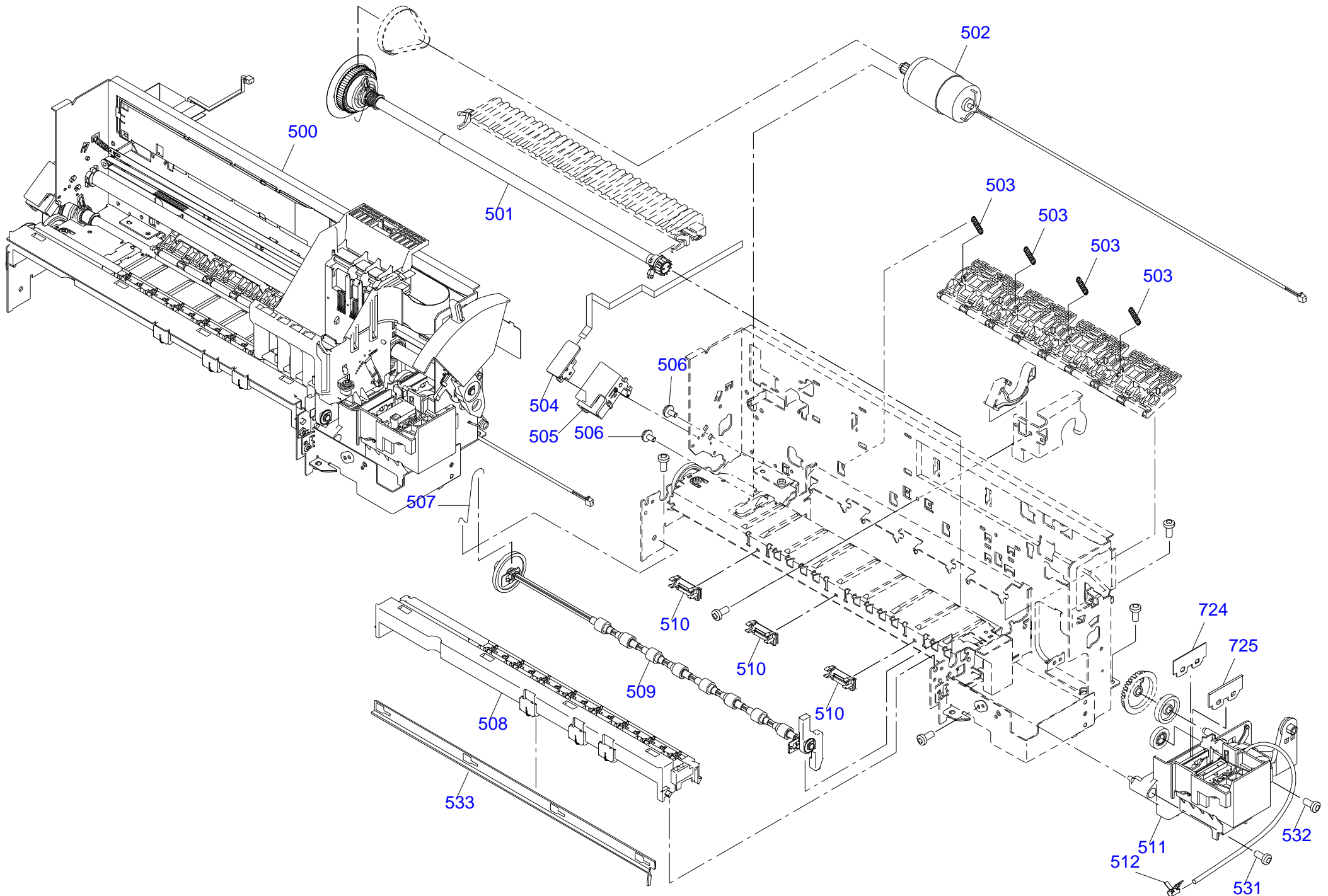
No.3

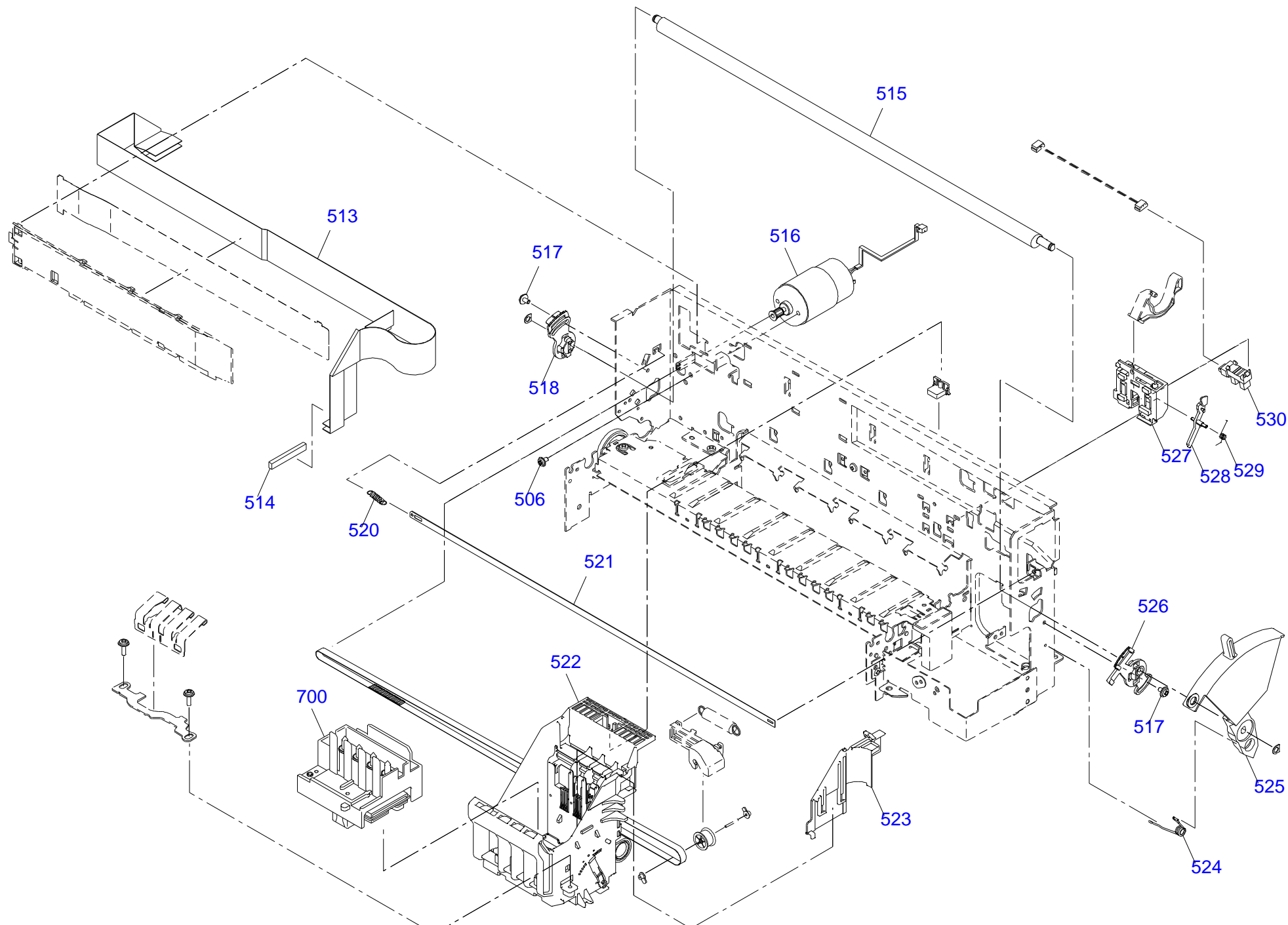
Rev.01

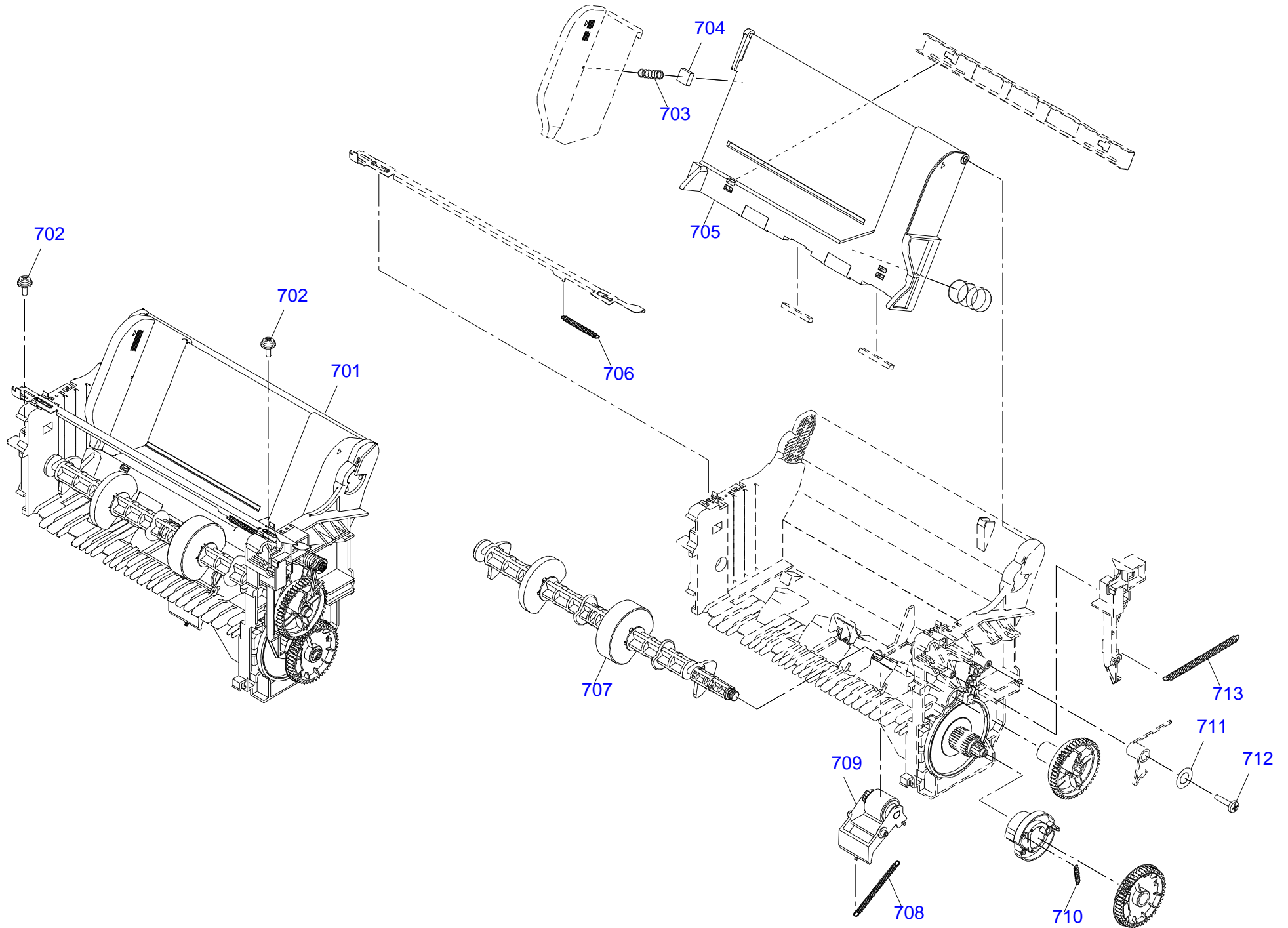
C496-CASE-002



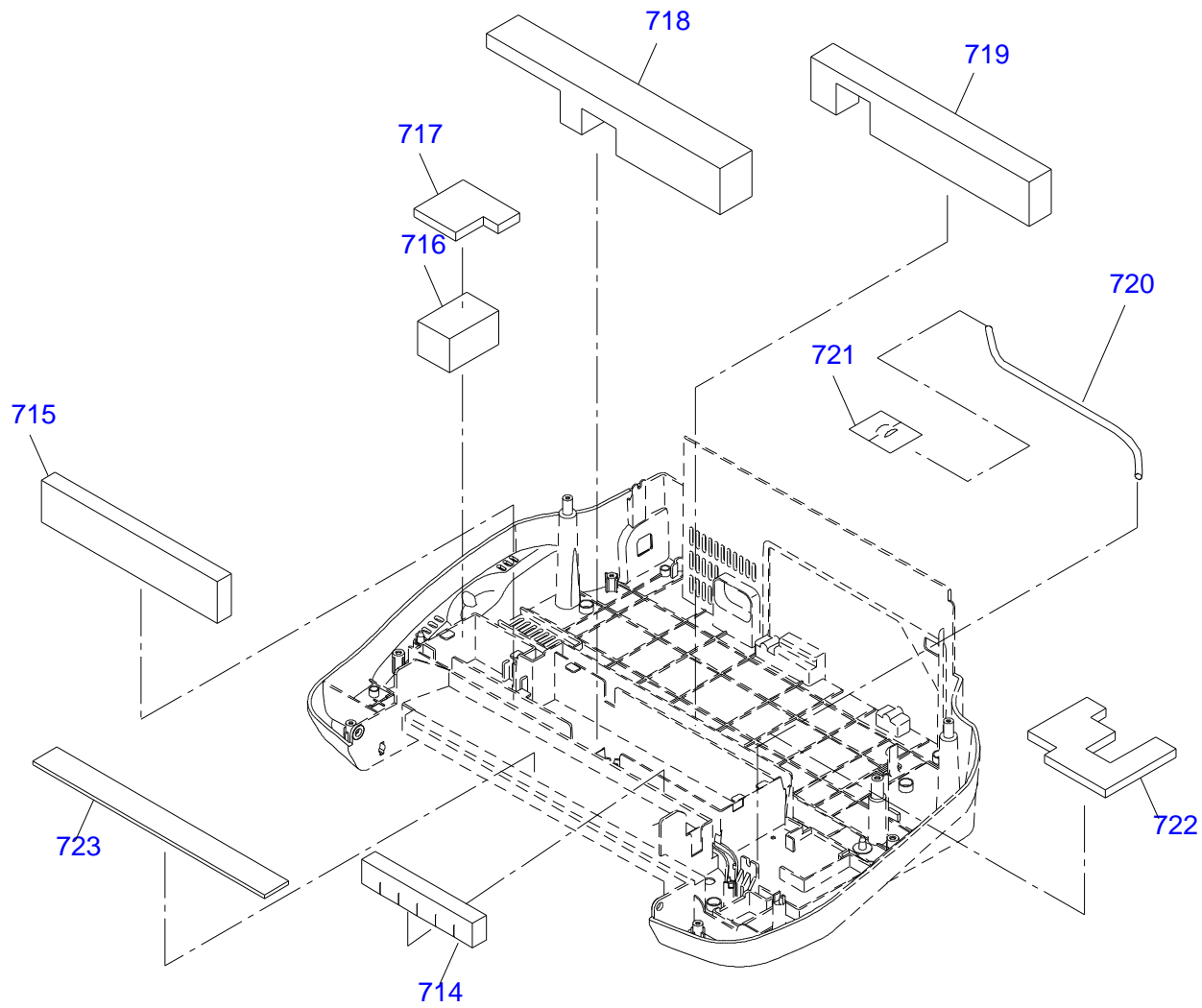




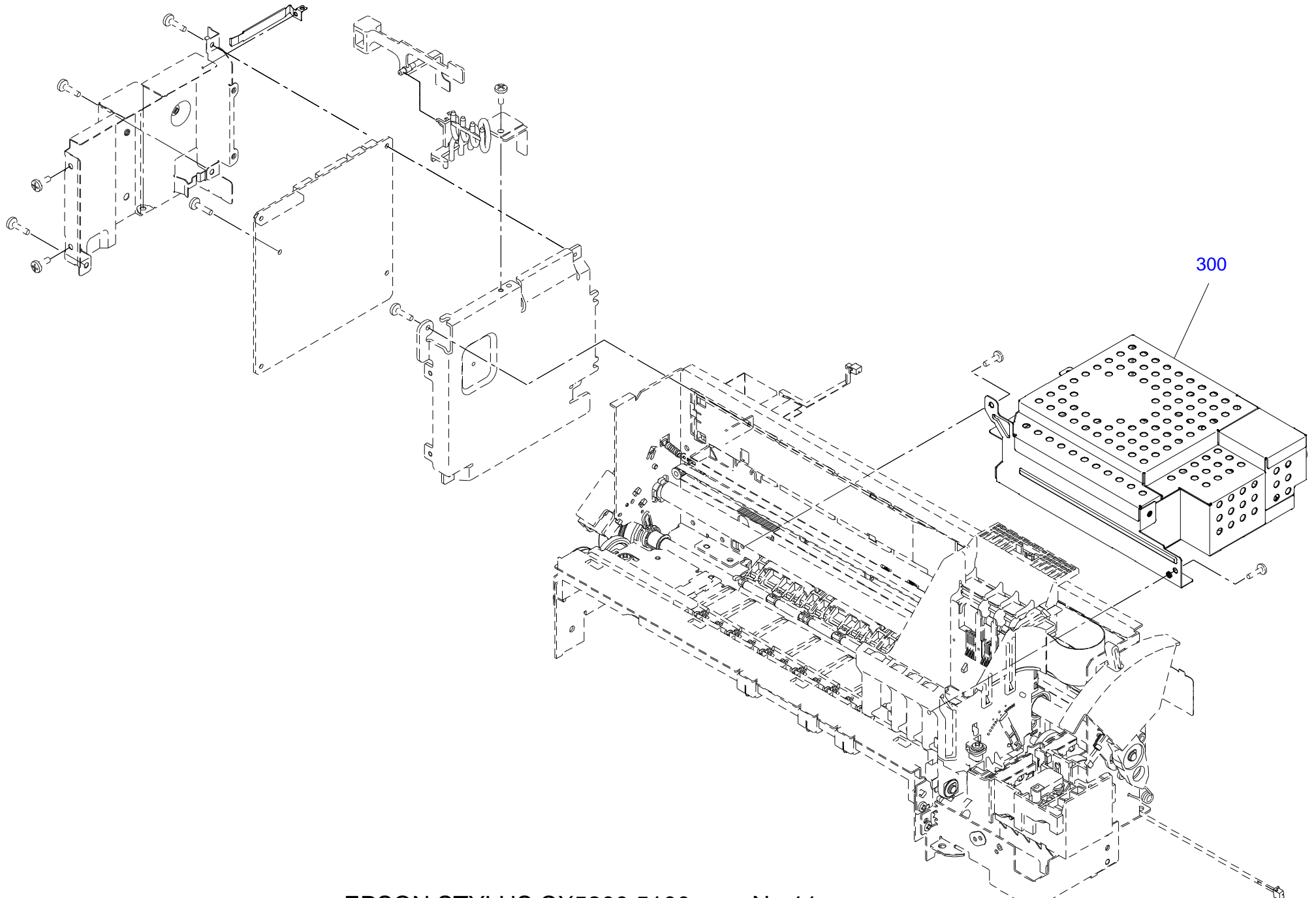












Part Code	Part Name	Ref No.	Category	Qty
<a href="#">1113235</a>	COVER,ENTRANCE;EFS	<a href="#">131</a>	Accessories	1
<a href="#">1113233</a>	PAPER SUPPORT;ECG	<a href="#">132</a>	Accessories	1
<a href="#">2002364</a>	POWER CABLE,(VD31303SA-10A)	<a href="#">400</a>	Accessories	1
<a href="#">1092331</a>	BUNDLE PACK,018,ABROAD	<a href="#">NON FIG</a>	Accessories	1
<a href="#">1218433</a>	I/C WITHOUT INDIVIDUAL BOX,C,OVERSEAS,AS,4CA83C	<a href="#">NON FIG</a>	Accessories	1
<a href="#">1218434</a>	I/C WITHOUT INDIVIDUAL BOX,M,OVERSEAS,AS,4CA83C	<a href="#">NON FIG</a>	Accessories	1
<a href="#">1218435</a>	I/C WITHOUT INDIVIDUAL BOX,Y,OVERSEAS,AS,4CA83C	<a href="#">NON FIG</a>	Accessories	1
<a href="#">1219447</a>	I/C WITHOUT INDIVIDUAL BOX,B,OVERSEAS,AS,4C784B	<a href="#">NON FIG</a>	Accessories	1
<a href="#">2069716</a>	HARNESS,USB 2.0	<a href="#">NON FIG</a>	Accessories	1
<a href="#">4033231</a>	USER'S GUIDE	<a href="#">NON FIG</a>	Accessories	1
<a href="#">4033395</a>	SETTING UP MANUAL	<a href="#">NON FIG</a>	Accessories	1
<a href="#">4033396</a>	SETTING UP MANUAL	<a href="#">NON FIG</a>	Accessories	1
<a href="#">4033397</a>	SETTING UP MANUAL	<a href="#">NON FIG</a>	Accessories	1
<a href="#">4033398</a>	SETTING UP MANUAL	<a href="#">NON FIG</a>	Accessories	1
<a href="#">1230245</a>	BOOK COVER ASSY., 6611;EUW	<a href="#">100</a>	Case	1
<a href="#">1230246</a>	UPPER CASE ASSY.,6611	<a href="#">101</a>	Case	1
<a href="#">1230251</a>	PANEL BUTTOM,R(RUBBER)6611	<a href="#">104</a>	Case	1
<a href="#">1230250</a>	PANEL BUTTOM,M(RUBBER)6611	<a href="#">105</a>	Case	1
<a href="#">1230249</a>	PANEL BUTTOM,L(RUBBER)6611	<a href="#">106</a>	Case	1
<a href="#">1113221</a>	COVER,MIDDLE;ECG	<a href="#">107</a>	Case	1
<a href="#">1113223</a>	COVER,FFC;ECG	<a href="#">108</a>	Case	1
<a href="#">1218549</a>	HOUSING,MIDDLE;CX5200	<a href="#">109</a>	Case	1
<a href="#">1113226</a>	LOCK,SCANNER	<a href="#">110</a>	Case	1
<a href="#">1113225</a>	COVER,INK TUBE;EDG2	<a href="#">111</a>	Case	1
<a href="#">1113229</a>	HOUSING,LOWER;EDG2	<a href="#">112</a>	Case	1
<a href="#">1213017</a>	COMPRESSION SPRING,6.0	<a href="#">113</a>	Case	1
<a href="#">1040649</a>	LOCK,STACKER	<a href="#">114</a>	Case	1
<a href="#">1217084</a>	FOOT	<a href="#">115</a>	Case	13
<a href="#">1212491</a>	COVER,LOWER;EDG2	<a href="#">116</a>	Case	1
<a href="#">1230261</a>	STACKER ASSY,ASP	<a href="#">117</a>	Case	1
<a href="#">1153811</a>	LOGO PLATE,10X40;G	<a href="#">118</a>	Case	1
<a href="#">1005019</a>	C.B.P-TITE SCREW,3X8,F/ZN	<a href="#">120</a>	Case	2
<a href="#">1012350</a>	C.B.P-TITE,3X10,F/ZN	<a href="#">121</a>	Case	7
<a href="#">1048799</a>	C.B.P-TITE SCREW,3X16,F/ZN	<a href="#">122</a>	Case	2
<a href="#">1001533</a>	C.B.S. SCREW	<a href="#">123</a>	Case	1
<a href="#">1243685</a>	LEVER OPEN;B	<a href="#">124</a>	Case	1
<a href="#">1113224</a>	OPTICAL TUBE	<a href="#">125</a>	Case	1
<a href="#">1073165</a>	C.B.S. SCREW(B300204211)	<a href="#">126</a>	Case	8
<a href="#">1230252</a>	HINGE DOCUMENT,L,6611	<a href="#">127</a>	Case	1
<a href="#">1230253</a>	HINGE DOCUMENT,R,6611	<a href="#">128</a>	Case	1
<a href="#">1073172</a>	C.B.S. SCREW(B300204411)	<a href="#">129</a>	Case	1
<a href="#">1073171</a>	C.B.S. SCREW(B300204311)	<a href="#">130</a>	Case	1
<a href="#">1218417</a>	SHEET,LCD	<a href="#">133</a>	Case	1
<a href="#">1213022</a>	LABEL,INK MARK	<a href="#">180</a>	Case	1
<a href="#">1230931</a>	LABEL,HEAD CLEANING	<a href="#">181</a>	Case	1
<a href="#">2080377</a>	PANEL BOARD 6611	<a href="#">450</a>	Case	1
<a href="#">2087940</a>	BOARD ASSY.,MAIN	<a href="#">200</a>	Electronic Parts	1
<a href="#">2068821</a>	FUSE	<a href="#">F2</a>	Electronic Parts	1
<a href="#">2049658</a>	OTP-ROM(BLANK)	<a href="#">IC5</a>	Electronic Parts	1
<a href="#">2090988</a>	PRINTER MECHANISM(ASP)	<a href="#">500</a>	Mechanism Parts	1

<a href="#">1213602</a>	ROLLER,PF ASSY.,ASP	<a href="#">501</a>	Mechanism Parts	1
<a href="#">1213615</a>	MOTOR ASSY.,PF ASP	<a href="#">502</a>	Mechanism Parts	1
<a href="#">1108712</a>	EXTENTION SPRING,4.07	<a href="#">503</a>	Mechanism Parts	4
<a href="#">2071787</a>	BOARD ASSY.,ENCODER,PF	<a href="#">504</a>	Mechanism Parts	1
<a href="#">1108620</a>	MOUNTING PLATE,BOARD ASSY.,ENCODER	<a href="#">505</a>	Mechanism Parts	1
<a href="#">1214696</a>	MOUNTING PLATE,BOARD ASSY.,ENCORDER;B	<a href="#">505</a>	Mechanism Parts	1
<a href="#">1006058</a>	CUP SCREW(B040302311)	<a href="#">506</a>	Mechanism Parts	2
<a href="#">1006058</a>	CUP SCREW(B040302311)	<a href="#">506</a>	Mechanism Parts	1
<a href="#">1042582</a>	GROUNDING WIRE,EJ	<a href="#">507</a>	Mechanism Parts	1
<a href="#">1215249</a>	EJ ASSY.,ASP	<a href="#">508</a>	Mechanism Parts	1
<a href="#">1213603</a>	ROLLER,EJ ASSY.,ASP	<a href="#">509</a>	Mechanism Parts	1
<a href="#">1108633</a>	HOLDER,ROLLER ASSY.,EJ	<a href="#">510</a>	Mechanism Parts	3
<a href="#">1295599</a>	INK SYSTEM ASSY.,ASP;D	<a href="#">511</a>	Mechanism Parts	1
<a href="#">1175070</a>	CLAMP,TUBE	<a href="#">512</a>	Mechanism Parts	1
<a href="#">2071401</a>	CABLE,HEAD	<a href="#">513</a>	Mechanism Parts	1
<a href="#">1080394</a>	POROUS PAD,CABLE,HEAD	<a href="#">514</a>	Mechanism Parts	1
<a href="#">1108672</a>	SHAFT,CR,GUIDE	<a href="#">515</a>	Mechanism Parts	1
<a href="#">1213614</a>	MOTOR ASSY.,CR ASP	<a href="#">516</a>	Mechanism Parts	1
<a href="#">1032300</a>	C.B.S-TITE(P4),3X6,F/ZN	<a href="#">517</a>	Mechanism Parts	2
<a href="#">1108681</a>	BUSHING,PARALLER ADJUST,LEFT	<a href="#">518</a>	Mechanism Parts	1
<a href="#">1154212</a>	EXTENSION SPRING,2.94	<a href="#">520</a>	Mechanism Parts	1
<a href="#">1048921</a>	SCALE,CR	<a href="#">521</a>	Mechanism Parts	1
<a href="#">1293623</a>	CARRIAGE ASSY.,ASP;C	<a href="#">522</a>	Mechanism Parts	1
<a href="#">1112562</a>	HOLDER,HEAD,CABLE	<a href="#">523</a>	Mechanism Parts	1
<a href="#">1108718</a>	TORSION SPRING,67.87	<a href="#">524</a>	Mechanism Parts	1
<a href="#">1154730</a>	LEVER,PG	<a href="#">525</a>	Mechanism Parts	1
<a href="#">1108682</a>	BUSHING,PARALLER ADJUST,RIGHT	<a href="#">526</a>	Mechanism Parts	1
<a href="#">1108612</a>	HOLDER,DETECTOR,PE	<a href="#">527</a>	Mechanism Parts	1
<a href="#">1108623</a>	LEVER,DETECTOR,PE	<a href="#">528</a>	Mechanism Parts	1
<a href="#">1108714</a>	TORSION SPRING,0.28	<a href="#">529</a>	Mechanism Parts	1
<a href="#">2032843</a>	DETECTOR,HP;F	<a href="#">530</a>	Mechanism Parts	1
<a href="#">1073165</a>	C.B.S. SCREW(B300204211)	<a href="#">531</a>	Mechanism Parts	1
<a href="#">1073171</a>	C.B.S. SCREW(B300204311)	<a href="#">532</a>	Mechanism Parts	1
<a href="#">1232850</a>	SUPPORT PLATE,HOLDER, STAR WHEEL	<a href="#">533</a>	Mechanism Parts	1
<a href="#">F146010</a>	PRINT HEAD	<a href="#">700</a>	Mechanism Parts	1
<a href="#">1230257</a>	ASF UNIT,ASP	<a href="#">701</a>	Mechanism Parts	1
<a href="#">1024130</a>	C.B.P-TITE SCREW,3X6,F/ZN	<a href="#">702</a>	Mechanism Parts	2
<a href="#">1082065</a>	COMPRESSION SPRING,5.61	<a href="#">703</a>	Mechanism Parts	1
<a href="#">1084662</a>	FOOT,B	<a href="#">704</a>	Mechanism Parts	1
<a href="#">1230259</a>	HOPPER ASSY,ASP	<a href="#">705</a>	Mechanism Parts	1
<a href="#">1108716</a>	EXTENTION SPRING,1.19	<a href="#">706</a>	Mechanism Parts	1
<a href="#">1213610</a>	ROLLER,LD ASSY.,ASP	<a href="#">707</a>	Mechanism Parts	1
<a href="#">1218042</a>	EXTENTION SPRING,2.25	<a href="#">708</a>	Mechanism Parts	1
<a href="#">1213636</a>	RETARD ASSY.,ASP	<a href="#">709</a>	Mechanism Parts	1
<a href="#">1052673</a>	EXTENSION SPRING,0.143	<a href="#">710</a>	Mechanism Parts	1
<a href="#">1076263</a>	P.W.,3.1X0.5X12,F/ZN(B100165911)	<a href="#">711</a>	Mechanism Parts	1
<a href="#">1005019</a>	C.B.P-TITE SCREW,3X8,F/ZN	<a href="#">712</a>	Mechanism Parts	1
<a href="#">1108715</a>	EXTENTION SPRING,0.99	<a href="#">713</a>	Mechanism Parts	1
<a href="#">1114069</a>	PORUS PAD,INK EJECT;D	<a href="#">714</a>	Mechanism Parts	1
<a href="#">1108695</a>	PORUS PAD,INK EJECT;C	<a href="#">715</a>	Mechanism Parts	1
<a href="#">1114071</a>	PORUS PAD,INK EJECT;F	<a href="#">716</a>	Mechanism Parts	1
<a href="#">1114072</a>	PORUS PAD,INK EJECT;G	<a href="#">717</a>	Mechanism Parts	1

<a href="#">1265054</a>	PORUS PAD,INK EJECT;J	<a href="#">718</a>	Mechanism Parts	1
<a href="#">1265053</a>	PORUS PAD,INK EJECT;I	<a href="#">719</a>	Mechanism Parts	1
<a href="#">1265055</a>	TUBE,INK EJECT;B	<a href="#">720</a>	Mechanism Parts	1
<a href="#">1214680</a>	POROUS PAD,INK EJECT;H	<a href="#">721</a>	Mechanism Parts	1
<a href="#">1108693</a>	PORUS PAD,INK EJECT	<a href="#">722</a>	Mechanism Parts	1
<a href="#">1215444</a>	STOPPER,PAPER,STACKER	<a href="#">723</a>	Mechanism Parts	1
<a href="#">1214679</a>	CLEANER,HEAD;B,ASP	<a href="#">724</a>	Mechanism Parts	1
<a href="#">1214678</a>	CLEANER,HEAD,ASP	<a href="#">725</a>	Mechanism Parts	1
<a href="#">1261463</a>	SCANNER UNIT 6611;EUW;B,ASP	<a href="#">800</a>	Mechanism Parts	1
<a href="#">1261465</a>	CCD MODULE 6611;B,ASP	<a href="#">801</a>	Mechanism Parts	1
<a href="#">1230247</a>	LOW CASE ASSY.,6611	<a href="#">803</a>	Mechanism Parts	1
<a href="#">1196514</a>	HINGE ASSY.	<a href="#">804</a>	Mechanism Parts	2
<a href="#">1230254</a>	CABLE COVER,PET	<a href="#">805</a>	Mechanism Parts	1
<a href="#">1230248</a>	MOTOR SET ASSY.,6611	<a href="#">806</a>	Mechanism Parts	1
<a href="#">5011655</a>	PLASTIC SHEET,1300X1300X0.04T	<a href="#">2</a>	Packing Material	1
<a href="#">5030035</a>	PAD,ACCESSORY	<a href="#">7</a>	Packing Material	1
<a href="#">1220031</a>	SHEET,CR LOCK	<a href="#">8</a>	Packing Material	1
<a href="#">5030172</a>	PAD,HOUSING	<a href="#">9</a>	Packing Material	1
<a href="#">1230266</a>	P/S BOARD ASSY.220,ASP	<a href="#">300</a>	Power Supply	1
<a href="#">1079421</a>	I PACK,PIC006KGP	<a href="#">NON FIG</a>	Tools	1
<a href="#">1214683</a>	INK SUPPLY TOOL	<a href="#">NON FIG</a>	Tools	1
<a href="#">1214684</a>	S46 EXCHANGE TOOL	<a href="#">NON FIG</a>	Tools	1
<a href="#">1218235</a>	GREASE G-63	<a href="#">NON FIG</a>	Tools	1
<a href="#">1294120</a>	SONIC TENSION METER U507	<a href="#">NON FIG</a>	Tools	1
<a href="#">6022798</a>	Shipping Cleaning Liquid,CR02,18kg	<a href="#">NON FIG</a>	Tools	1
<a href="#">6022805</a>	Shipping Cleaning Liquid,CR02,1kg	<a href="#">NON FIG</a>	Tools	1

Part Code	Part Name	Ref No.	Category	Qty
-----------	-----------	---------	----------	-----