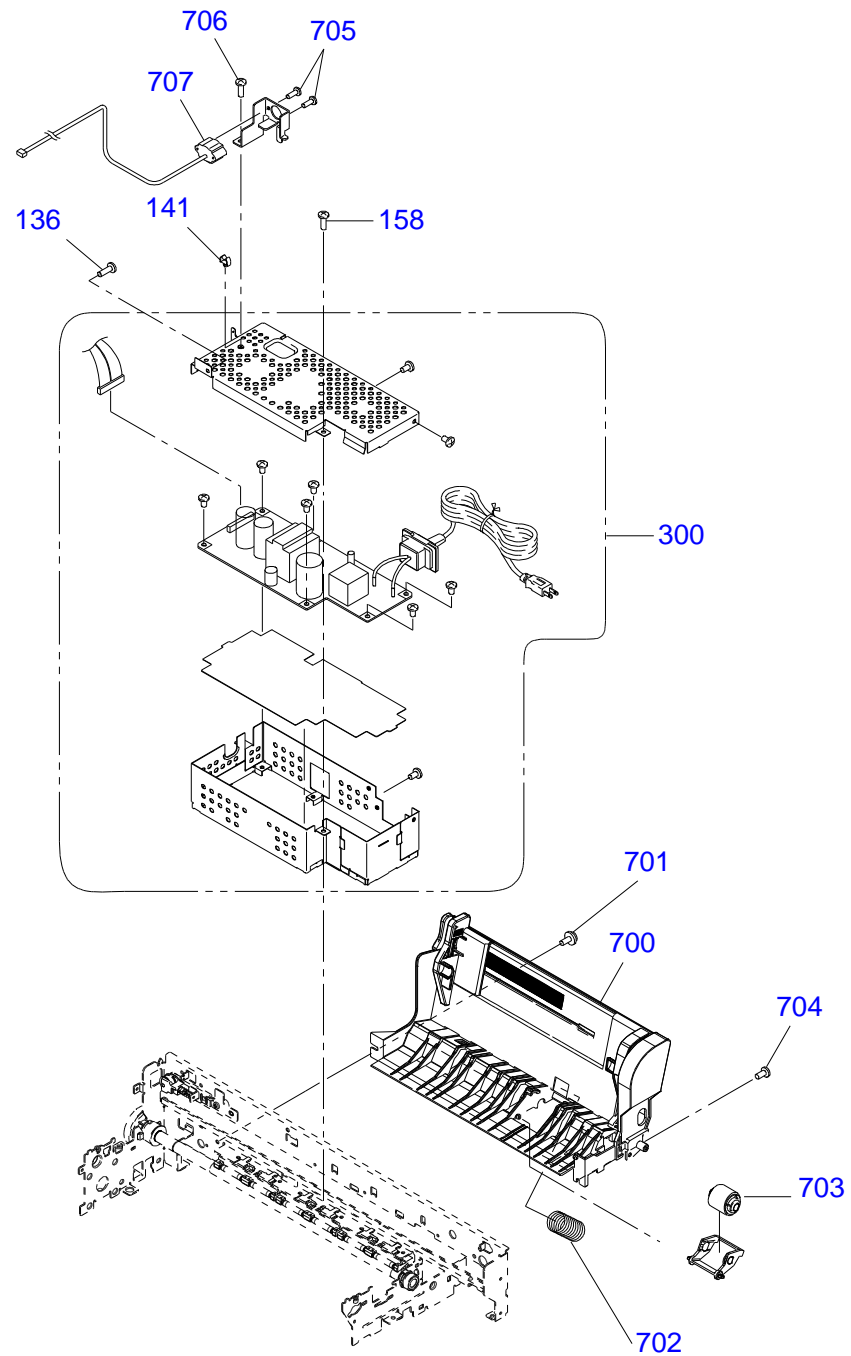


EPSON STYLUS PHOTO RX500/510

NO.5

Rev.01 C544-MECH-002-S



Part Code	Part Name	Ref No.	Category	Qty
<a href="#">1259621</a>	PAPER,SUPPORT;EDG	<a href="#">100</a>	Accessories	1
<a href="#">1213656</a>	COVER,FILM,35	<a href="#">155</a>	Accessories	1
<a href="#">1276419</a>	HOLDER,FILM,SLIDE,35	<a href="#">156</a>	Accessories	1
<a href="#">1258902</a>	I/C WITHOUT INDIVIDUAL BOX B,WST,AS,4CD01C	<a href="#">NON FIG</a>	Accessories	1
<a href="#">1258903</a>	I/C WITHOUT INDIVIDUAL BOX C,WST,AS,4CD01C	<a href="#">NON FIG</a>	Accessories	1
<a href="#">1258904</a>	I/C WITHOUT INDIVIDUAL BOX M,WST,AS,4CD01C	<a href="#">NON FIG</a>	Accessories	1
<a href="#">1258905</a>	I/C WITHOUT INDIVIDUAL BOX Y,WST,AS,4CD01C	<a href="#">NON FIG</a>	Accessories	1
<a href="#">1258906</a>	I/C WITHOUT INDIVIDUAL BOX LC,WST,AS,4CD01C	<a href="#">NON FIG</a>	Accessories	1
<a href="#">1258907</a>	I/C WITHOUT INDIVIDUAL BOX LM,WST,AS,4CD01C	<a href="#">NON FIG</a>	Accessories	1
<a href="#">1259620</a>	COVER,ASF;EFS2	<a href="#">101</a>	Case	1
<a href="#">1273183</a>	HOUSING,MIDDLE ASSY.,B;EBM	<a href="#">102</a>	Case	1
<a href="#">1259619</a>	COVER,FFC;EPAG	<a href="#">103</a>	Case	1
<a href="#">1113226</a>	LOCK,SCANNER	<a href="#">104</a>	Case	1
<a href="#">1260530</a>	LEVER,DETECTOR,SC	<a href="#">105</a>	Case	1
<a href="#">1270622</a>	HOUSING,MIDDLE,B;EBM	<a href="#">106</a>	Case	1
<a href="#">2014112</a>	FERRITE CORE,SSC-40-12-F	<a href="#">107</a>	Case	3
<a href="#">1269884</a>	CLAMP,FFC	<a href="#">108</a>	Case	1
<a href="#">1269885</a>	CLAMP,FERRITE	<a href="#">109</a>	Case	1
<a href="#">1270282</a>	TAPE,FIX,PAPER GUIDE,FRONT;SUPPORT	<a href="#">110</a>	Case	1
<a href="#">1260531</a>	LEVER,DETECTOR,STACKER	<a href="#">111</a>	Case	1
<a href="#">1260538</a>	DUMPER,COVER,SLOT	<a href="#">112</a>	Case	1
<a href="#">1261706</a>	BUSHING,COVER,SLOT	<a href="#">113</a>	Case	1
<a href="#">1269338</a>	LOCK,COVER,SLOT	<a href="#">114</a>	Case	1
<a href="#">1259625</a>	COVER,SLOT	<a href="#">115</a>	Case	1
<a href="#">1259606</a>	DECORATION PLATE;EDG	<a href="#">117</a>	Case	1
<a href="#">1273339</a>	STACKER ASSY.,EDG	<a href="#">118</a>	Case	1
<a href="#">1271415</a>	STOPPER,CR	<a href="#">119</a>	Case	1
<a href="#">1259602</a>	COVER,MIDDLE,REAR;EPAG	<a href="#">120</a>	Case	1
<a href="#">1259637</a>	COVER,MIDDLE,FRONT;EBM	<a href="#">122</a>	Case	1
<a href="#">1259631</a>	BUTTON,L	<a href="#">123</a>	Case	1
<a href="#">1259633</a>	BUTTON,M	<a href="#">124</a>	Case	1
<a href="#">1259632</a>	BUTTON,R	<a href="#">125</a>	Case	1
<a href="#">2083921</a>	HARNESS	<a href="#">126</a>	Case	1
<a href="#">1269337</a>	GROUNDING PLATE,PANEL	<a href="#">127</a>	Case	1
<a href="#">1259609</a>	OPTICAL TUBE,ERROR,LED	<a href="#">128</a>	Case	1
<a href="#">1273174</a>	PANEL ASSY.	<a href="#">129</a>	Case	1
<a href="#">1260525</a>	SHIELD PLATE,M/B,LOWER	<a href="#">131</a>	Case	1
<a href="#">1273725</a>	SPACER,CARD SLOT	<a href="#">132</a>	Case	1
<a href="#">1259626</a>	OPTICAL TUBE,ACCESS,LED	<a href="#">133</a>	Case	1
<a href="#">1260526</a>	SHIELD PLATE,M/B,UPPER	<a href="#">135</a>	Case	1
<a href="#">1004635</a>	C.B.SCREW(B010303311)	<a href="#">136</a>	Case	16
<a href="#">1012350</a>	C.B.P-TITE,3X10,F/ZN	<a href="#">137</a>	Case	5
<a href="#">1261705</a>	SHAFT,COVER,SLOT	<a href="#">138</a>	Case	2
<a href="#">1004635</a>	C.B.SCREW(B010303311)	<a href="#">139</a>	Case	9
<a href="#">1071083</a>	C.B.SCREW(B010303611)	<a href="#">140</a>	Case	1
<a href="#">1259608</a>	COVER,TUBE;EBM	<a href="#">144</a>	Case	1
<a href="#">1271177</a>	LABEL,CARD,SROT	<a href="#">154</a>	Case	1
<a href="#">1005019</a>	C.B.P-TITE SCREW,3X8,F/ZN	<a href="#">158</a>	Case	12



<a href="#">2083679</a>	BOARD ASSY.,PANEL	<a href="#">450</a>	Case	1
<a href="#">2088160</a>	BOARD ASSY.,MAIN	<a href="#">200</a>	Electronic Parts	1
<a href="#">1266941</a>	LABEL,POSITION,CARTRIDGE	<a href="#">134</a>	Mechanism Parts	1
<a href="#">1012350</a>	C.B.P-TITE,3X10,F/ZN	<a href="#">137</a>	Mechanism Parts	8
<a href="#">1214742</a>	MINI CRAMP,UAMS-05-0 V0	<a href="#">141</a>	Mechanism Parts	1
<a href="#">1271178</a>	LABEL,TYPE,IC;WST	<a href="#">142</a>	Mechanism Parts	1
<a href="#">1271173</a>	LABEL,HEAD CLEANING	<a href="#">143</a>	Mechanism Parts	1
<a href="#">2087963</a>	PRINTER MECHANISM(ASP)MAF11-104	<a href="#">500</a>	Mechanism Parts	1
<a href="#">1290552</a>	CARRIAGE ASSY.,ASP;B	<a href="#">501</a>	Mechanism Parts	1
<a href="#">2036378</a>	BOARD ASSY.,DETECTOR,PH	<a href="#">502</a>	Mechanism Parts	1
<a href="#">1260533</a>	COVER,CABLE,HEAD	<a href="#">503</a>	Mechanism Parts	1
<a href="#">1274963</a>	TORSION SPRING,LEVER,CARTRIDGE;B	<a href="#">504</a>	Mechanism Parts	1
<a href="#">1262791</a>	COVER,TIMINGBELT,PF	<a href="#">505</a>	Mechanism Parts	1
<a href="#">1260529</a>	CONECTING PLATE,FRAME,L	<a href="#">506</a>	Mechanism Parts	1
<a href="#">1214742</a>	MINI CRAMP,UAMS-05-0 V0	<a href="#">508</a>	Mechanism Parts	3
<a href="#">1244295</a>	TIMING BELT,PF	<a href="#">509</a>	Mechanism Parts	1
<a href="#">1024352</a>	SPACER,INSULATOR	<a href="#">510</a>	Mechanism Parts	4
<a href="#">1273812</a>	CLUTCH	<a href="#">511</a>	Mechanism Parts	1
<a href="#">1295991</a>	STOPPER,PAPER,STACKER	<a href="#">512</a>	Mechanism Parts	1
<a href="#">1265653</a>	SPACER,4.1X0.5X7.5,L/NA	<a href="#">513</a>	Mechanism Parts	2
<a href="#">1272899</a>	PULLEY,EJECT,DRIVE;C	<a href="#">514</a>	Mechanism Parts	1
<a href="#">1024505</a>	HEXAGON NUT,NORMAL,M3	<a href="#">515</a>	Mechanism Parts	4
<a href="#">1250428</a>	SCREW,FRAME,MAIN	<a href="#">517</a>	Mechanism Parts	1
<a href="#">1244348</a>	EXTENSION SPRING,1.494	<a href="#">518</a>	Mechanism Parts	1
<a href="#">2084071</a>	MOTOR,ASSY.,CR	<a href="#">519</a>	Mechanism Parts	1
<a href="#">1265515</a>	SHEET,PROTECT,SPLASH	<a href="#">520</a>	Mechanism Parts	1
<a href="#">1250632</a>	COMPRESSION SPRING,2.36	<a href="#">521</a>	Mechanism Parts	1
<a href="#">1260522</a>	LEVER,I/C	<a href="#">522</a>	Mechanism Parts	1
<a href="#">1244305</a>	COMBINATION GEAR,27.2,19.2	<a href="#">523</a>	Mechanism Parts	1
<a href="#">1250989</a>	SPUR GEAR,25.6	<a href="#">524</a>	Mechanism Parts	1
<a href="#">1275191</a>	LEVER,CHANGE;B	<a href="#">525</a>	Mechanism Parts	1
<a href="#">1244303</a>	COMBINATION GEAR,21,24	<a href="#">526</a>	Mechanism Parts	1
<a href="#">1244304</a>	SPUR GEAR,27.2	<a href="#">527</a>	Mechanism Parts	1
<a href="#">1279326</a>	INK SYSTEM ASSY.;C	<a href="#">528</a>	Mechanism Parts	1
<a href="#">1299381</a>	TIMING BELT;E	<a href="#">530</a>	Mechanism Parts	1
<a href="#">1244345</a>	SCALE,CR	<a href="#">531</a>	Mechanism Parts	1
<a href="#">1272898</a>	ROLLER,EJECT;C	<a href="#">532</a>	Mechanism Parts	1
<a href="#">1265651</a>	BUSHING,6	<a href="#">533</a>	Mechanism Parts	1
<a href="#">1074107</a>	E-RING,4,F/UC	<a href="#">535</a>	Mechanism Parts	1
<a href="#">1272900</a>	BUSHING,6,LEFT	<a href="#">536</a>	Mechanism Parts	1
<a href="#">1244246</a>	POROUS PAD,CAP,LOWER,LARGE	<a href="#">540</a>	Mechanism Parts	1
<a href="#">1259682</a>	PROUS PAD,CAP,LOWER,SMALL	<a href="#">541</a>	Mechanism Parts	1
<a href="#">1259598</a>	HOUSING,LOWER;EDG	<a href="#">542</a>	Mechanism Parts	1
<a href="#">1217084</a>	FOOT	<a href="#">543</a>	Mechanism Parts	4
<a href="#">1244284</a>	INSULATOR,FRAME,MAIN	<a href="#">544</a>	Mechanism Parts	2
<a href="#">1273172</a>	PAPER GUIDE,FRONT ASSY.	<a href="#">545</a>	Mechanism Parts	1
<a href="#">1260532</a>	GUIDE PLATE,CABLE,HEAD	<a href="#">546</a>	Mechanism Parts	1
<a href="#">1273170</a>	FRAME,FRONT ASSY.	<a href="#">547</a>	Mechanism Parts	1
<a href="#">1073165</a>	C.B.S. SCREW(B300204211)	<a href="#">548</a>	Mechanism Parts	10
<a href="#">1005019</a>	C.B.P-TITE SCREW,3X8,F/ZN	<a href="#">549</a>	Mechanism Parts	3



<a href="#">2084072</a>	MOTOR,ASSY.,PF	<a href="#">550</a>	Mechanism Parts	1
<a href="#">2084075</a>	CABLE,HEAD	<a href="#">551</a>	Mechanism Parts	1
<a href="#">1267937</a>	POROUS PAD,INK EJECT,UPPER LEFT;B	<a href="#">553</a>	Mechanism Parts	1
<a href="#">1267936</a>	POROUS PAD,INK EJECT,LOWER LEFT;B	<a href="#">554</a>	Mechanism Parts	1
<a href="#">1267935</a>	POROUS PAD,INK EJECT,UPPER RIGHT;B	<a href="#">555</a>	Mechanism Parts	1
<a href="#">1267934</a>	POROUS PAD,INK EJECT,LOWER RIGHT;B	<a href="#">556</a>	Mechanism Parts	1
<a href="#">1274181</a>	POROUS PAD,PUMP,LOWER	<a href="#">557</a>	Mechanism Parts	1
<a href="#">1275202</a>	PROUS PAD,PUMP,REAR	<a href="#">558</a>	Mechanism Parts	1
<a href="#">1276304</a>	SHEET,GUIDE PLATE,CABLE,HEAD	<a href="#">560</a>	Mechanism Parts	1
<a href="#">1273165</a>	HOLDER,SHAFT ASSY.	<a href="#">561</a>	Mechanism Parts	1
<a href="#">1052673</a>	EXTENSION SPRING,0.143	<a href="#">563</a>	Mechanism Parts	1
<a href="#">1244332</a>	TORSION SPRING,0.22	<a href="#">564</a>	Mechanism Parts	1
<a href="#">1244325</a>	LEVER,DETECTOR,PE	<a href="#">566</a>	Mechanism Parts	1
<a href="#">1279248</a>	COVER,FRAME,PUMP;B	<a href="#">567</a>	Mechanism Parts	1
<a href="#">1278794</a>	COVER,FRAME,PUMP,LEFT	<a href="#">568</a>	Mechanism Parts	1
<a href="#">1278795</a>	COVER,FRAME,PUMP,RIGHT	<a href="#">569</a>	Mechanism Parts	1
<a href="#">1261714</a>	ASF UNIT	<a href="#">700</a>	Mechanism Parts	1
<a href="#">1032300</a>	C.B.S-TITE(P4),3X6,F/ZN	<a href="#">701</a>	Mechanism Parts	1
<a href="#">1244330</a>	COMPRESSION SPRING,2.53	<a href="#">702</a>	Mechanism Parts	1
<a href="#">1268020</a>	RETURD ASSY.	<a href="#">703</a>	Mechanism Parts	1
<a href="#">1073165</a>	C.B.S. SCREW(B300204211)	<a href="#">704</a>	Mechanism Parts	1
<a href="#">1020896</a>	C.B(P)SCREW	<a href="#">705</a>	Mechanism Parts	2
<a href="#">1005019</a>	C.B.P-TITE SCREW,3X8,F/ZN	<a href="#">706</a>	Mechanism Parts	1
<a href="#">2083920</a>	HARNESS	<a href="#">707</a>	Mechanism Parts	1
<a href="#">2089190</a>	SCANNER ASSY.	<a href="#">800</a>	Mechanism Parts	1
<a href="#">2086254</a>	TPU ASSY.,Lid,ASP	<a href="#">801</a>	Mechanism Parts	1
<a href="#">1261428</a>	HOUSING,TOP,TPU	<a href="#">802</a>	Mechanism Parts	1
<a href="#">1260787</a>	LOGO PLATE	<a href="#">803</a>	Mechanism Parts	1
<a href="#">1261422</a>	HOUSING,UPPER,TPU	<a href="#">804</a>	Mechanism Parts	1
<a href="#">1079943</a>	HOLDER,HINGE;R	<a href="#">805</a>	Mechanism Parts	1
<a href="#">1079944</a>	HOLDER,HINGE;L	<a href="#">806</a>	Mechanism Parts	1
<a href="#">1079945</a>	GUIDE,HINGE	<a href="#">807</a>	Mechanism Parts	2
<a href="#">2070834</a>	BOARD ASSY.,INVERTOR	<a href="#">808</a>	Mechanism Parts	1
<a href="#">1079891</a>	SHEET,COVER BOARD	<a href="#">809</a>	Mechanism Parts	1
<a href="#">2085677</a>	HARNESS,TPU;BLACK	<a href="#">810</a>	Mechanism Parts	1
<a href="#">1104859</a>	STOPPER,LAMP ASSY.,TPU	<a href="#">811</a>	Mechanism Parts	2
<a href="#">1261423</a>	HOUSING,LOWER,TPU	<a href="#">812</a>	Mechanism Parts	1
<a href="#">1261425</a>	HOUSING,MAT	<a href="#">813</a>	Mechanism Parts	1
<a href="#">1254874</a>	MAT,COVER,DOCUMENT	<a href="#">814</a>	Mechanism Parts	1
<a href="#">1271111</a>	HOUSING ASSY.,UPPER,ASP	<a href="#">815</a>	Mechanism Parts	1
<a href="#">2084288</a>	GROUNDING CABLE, SCANNER	<a href="#">816</a>	Mechanism Parts	1
<a href="#">1074107</a>	E-RING,4,F/UC	<a href="#">817</a>	Mechanism Parts	1
<a href="#">1104835</a>	PULLEY,IDLE	<a href="#">818</a>	Mechanism Parts	1
<a href="#">1038484</a>	PLANE WASHER,4.5X0.5X8,L/NA	<a href="#">819</a>	Mechanism Parts	1
<a href="#">1104834</a>	PULLEY,DRIVE	<a href="#">820</a>	Mechanism Parts	1
<a href="#">1041592</a>	6N,3,F/ZN	<a href="#">821</a>	Mechanism Parts	3
<a href="#">2088253</a>	MOTOR	<a href="#">822</a>	Mechanism Parts	1
<a href="#">2089197</a>	CARRIAGE ASSY.,ASP	<a href="#">823</a>	Mechanism Parts	1
<a href="#">1108098</a>	SHAFT,CR	<a href="#">824</a>	Mechanism Parts	1
<a href="#">1079742</a>	TIMING BELT	<a href="#">825</a>	Mechanism Parts	1

<a href="#">1079738</a>	PULLEY,DRIVEN	<a href="#">826</a>	Mechanism Parts	1
<a href="#">1054600</a>	TORSION SPRING,238	<a href="#">827</a>	Mechanism Parts	1
<a href="#">1261403</a>	HOUSING,LOWER	<a href="#">829</a>	Mechanism Parts	1
<a href="#">1261410</a>	GROUNDING PLATE,FFC	<a href="#">831</a>	Mechanism Parts	1
<a href="#">2083938</a>	BOARD ASSY., SUB	<a href="#">832</a>	Mechanism Parts	1
<a href="#">1264077</a>	DOUBLE SIDED TAPE,164X10X0.16	<a href="#">833</a>	Mechanism Parts	1
<a href="#">1264076</a>	DOUBLE SIDED TAPE,115X10X0.16	<a href="#">834</a>	Mechanism Parts	1
<a href="#">1264078</a>	DOUBLE SIDED TAPE,52X10X0.16	<a href="#">835</a>	Mechanism Parts	1
<a href="#">1290673</a>	SHEET,COVER BOTTOM	<a href="#">836</a>	Mechanism Parts	1
<a href="#">1290672</a>	FOAM,DUSTPROOF	<a href="#">837</a>	Mechanism Parts	1
<a href="#">1276922</a>	CLAMP,TIMING BELT	<a href="#">838</a>	Mechanism Parts	1
<a href="#">2085704</a>	FERRITE CORE	<a href="#">839</a>	Mechanism Parts	1
<a href="#">1078571</a>	FOOT,SCANNER	<a href="#">840</a>	Mechanism Parts	2
<a href="#">1005019</a>	C.B.P-TITE SCREW,3X8,F/ZN	<a href="#">841</a>	Mechanism Parts	8
<a href="#">1073317</a>	C.B.P. SCREW(B320204312)	<a href="#">842</a>	Mechanism Parts	2
<a href="#">1196514</a>	HINGE ASSY.	<a href="#">844</a>	Mechanism Parts	2
<a href="#">1024145</a>	C.B.P.SCREW,4X12,F/ZN	<a href="#">845</a>	Mechanism Parts	4
<a href="#">1273584</a>	SHEET,HOLDER ASSY.,PULLEY,DRIVE	<a href="#">846</a>	Mechanism Parts	1
<a href="#">1003164</a>	C.B.P-TITE SCREW,3X12,F/ZN	<a href="#">847</a>	Mechanism Parts	2
<a href="#">1278384</a>	DOUBLE SIDED TAPE,27X10X0.16	<a href="#">848</a>	Mechanism Parts	1
<a href="#">1080416</a>	FOOT	<a href="#">849</a>	Mechanism Parts	2
<a href="#">1283207</a>	POWER SUPPLY ASSY.;220V	<a href="#">300</a>	Power Supply	1
<a href="#">1280923</a>	INK SUPPLY FIXTURE	<a href="#">NON FIG</a>	Tools	1
<a href="#">6022798</a>	Shipping Cleaning Liquid,CR02,18kg	<a href="#">NON FIG</a>	Tools	1
<a href="#">6022805</a>	Shipping Cleaning Liquid,CR02,1kg	<a href="#">NON FIG</a>	Tools	1

Part Code	Part Name	Ref No.	Category	Qty
-----------	-----------	---------	----------	-----