

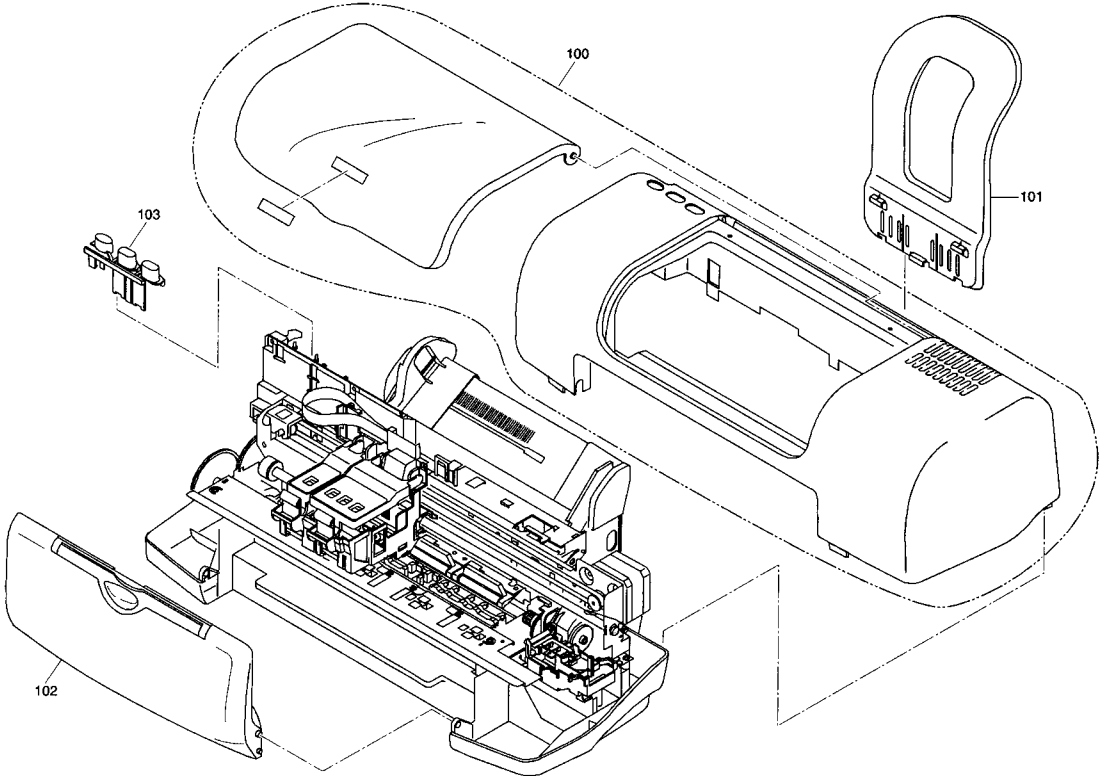
NB: PART NO. RATIONALISATION –10 digit part nos. in brackets are the old numbers for otherwise identical items

STYLUS PHOTO 810

Page 1

REF	PART NO	DESCRIPTION	SPEC	QTY
100	1084497	HOUSING,UPPER ASSY.,C417	INC.COVER & LOGO PLATE	1
101	1081268	PAPER SUPPORT;ENB-4		1
102	1084501	STACKER ASSY.,C417	INC STACKER SUPPORTS UPPER & MID & SHAFT	1
103	1079301	BUTTON,SW		1
200	2055740	BOARD ASSY.,MAIN	5759B,AMP ONLY WITH IC SOCKET	1
300	1083452	POWER SUPPLY ASSY.,C418;220V		1
400	2006741	POWER CABLE,BS31303SA-SR-10A	240V	1
500	2056173	PRINTER MECHANISM(ASP)MA611-100		1
501	F095000	PRINT HEAD	288	1
502	1063419	CARRIAGE		1
503	1057623	COVER,CARTRIDGE,BK;B		1
504	1057624	COVER,CARTRIDGE,C;B		1
505	2048748	CABLE,HEAD		1
506	1059196	PLATE SPRING,COVER,CARTRIDGE		4
507	1063399	MOUNTING PLATE,M/B		1
508	1083451	HOLDER,SHAFT ASSY.,C418		1
509	2048184	MOTOR ASSY.,CR	,DC	1
510	1084499	HOUSING,LOWER ASSY.,C417	INC.REFS. 520:521:522:523	1
511	1063422	POROUS PAD,PAPER GUIDE,FRONT		1
512	1084395	STARWHEEL ASSY.,C417		1
513	1073165	C.B.S. SCREW(B300204211)		2
514	1082529	TORSION SPRING RIGHT,SHAFT,CR GUIDE		1
515	1082530	TORSION SPRING LEFT,SHAFT,CR GUIDE		1
516	1063405	SHAFT,CR,GUIDE		1
517	1079411	SPACER,FFC		1
518	1073171	C.B.S-TITE.SCREW,3X8,F/ZN		1
519	1023043	+.BIND B-TITE SEMS W2,2.5X5,F/ZB		1
520	1063714	POROUS PAD,INK EJECT,SMALL		1
521	1063416	POROUS PAD,INK EJECT		3
522	1063417	POROUS PAD,CAP,LOWER		1
523	1080427	FOOT		4
601	1070531	POROUS PAD,TUBE,STOPPER		1
602	1079907	SHIELD PLATE,M/B		1
603	1005019	C.B.P-TITE SCREW,3X8,F/ZN	M3X8 F/ZN	1
604	1073165	C.B.S. SCREW(B300204211)		3
605	1002097	C.B.S. SCREW	M3X12	2
700	1080055	EDGE GUIDE;B		1
701	1080056	HOPPER;B		1
702	1052694	PAD,HOPPER		1
703	1062972	COMPRESSION SPRING,2.50		1
704	1080057	FRAME,ASF;B		1
705	1062919	HOLDER,PAD		1
706	1057554	PAD,LD;D		1
707	1062965	TORSION SPRING,29.1		1
708	1073165	C.B.S. SCREW(B300204211)		1
709	1005019	C.B.P-TITE SCREW,3X8,F/ZN	M3X8 F/ZN	1
710	1032300	C.B.S-TITE(P4),3X6,F/ZN		1
NON FIG	1219814	INK CART.UNBOXED,BLACK,,AS		1
NON FIG	1219951	INK CART., UNBOXED COLOUR,,AS		1

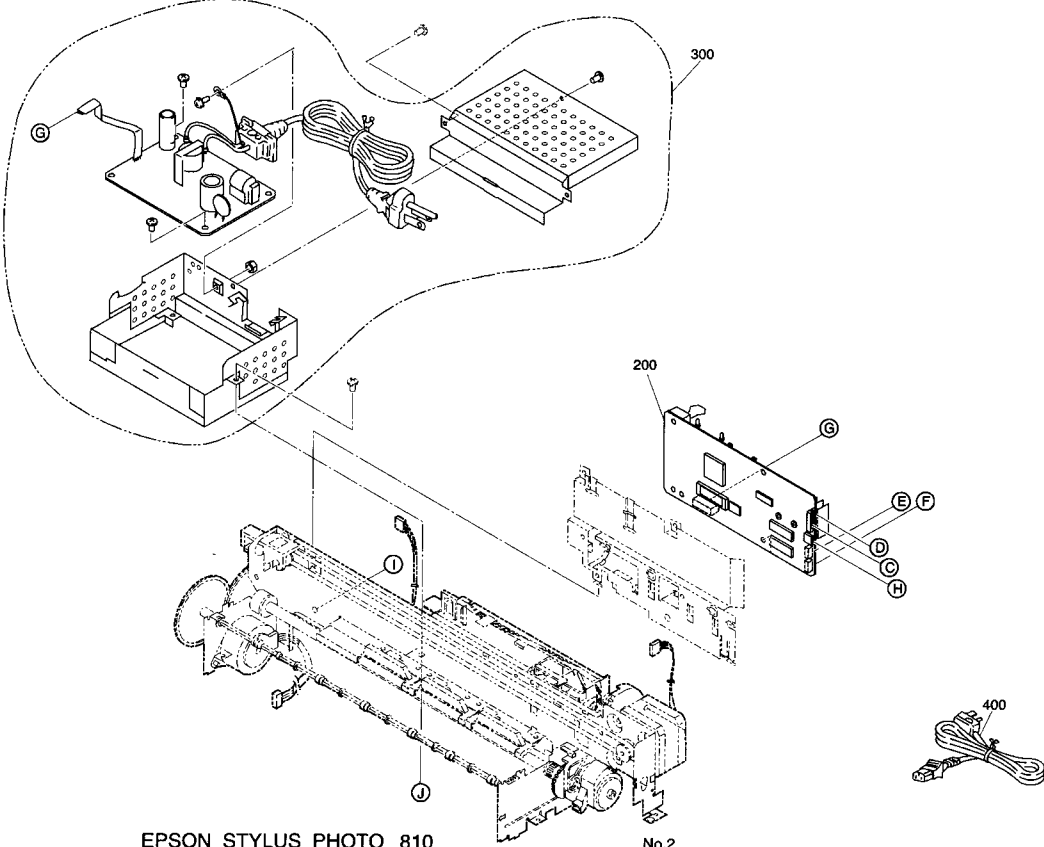
EPSON STYLUS PHOTO 810



EPSON STYLUS PHOTO 810

No.1

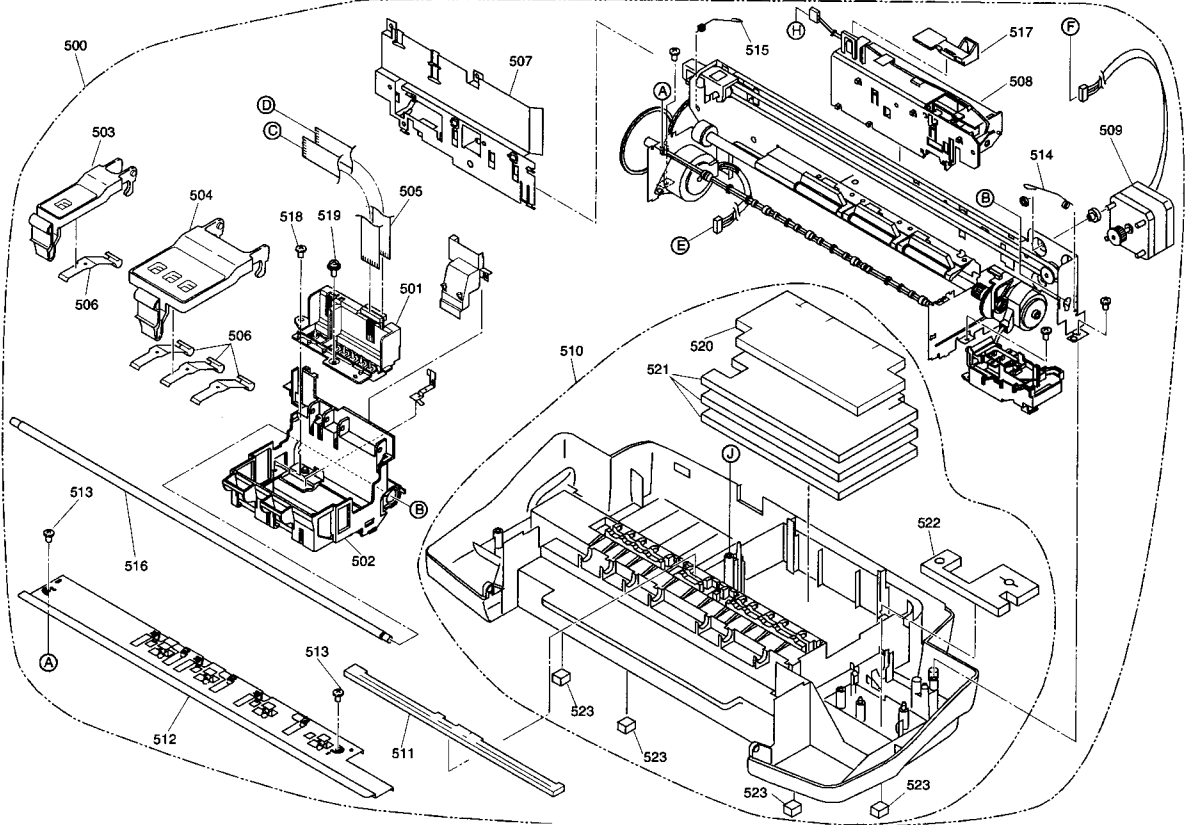
EPSON STYLUS PHOTO 810



EPSON STYLUS PHOTO 810

No.2

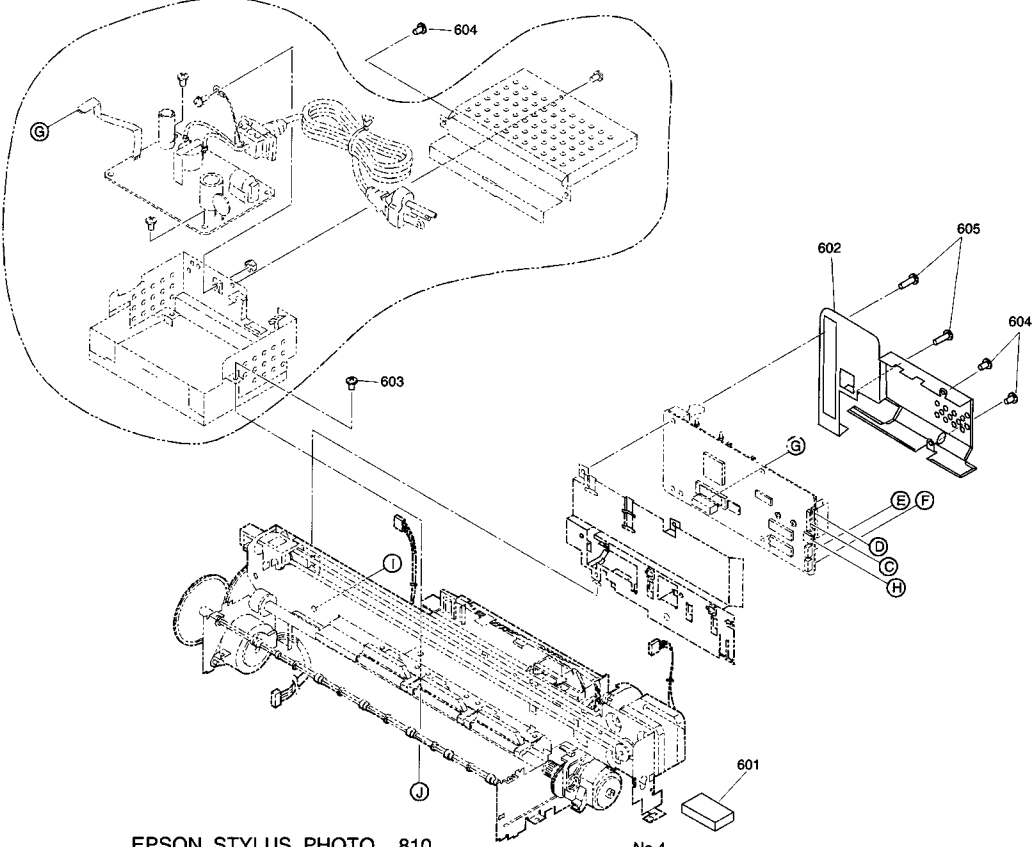
EPSON STYLUS PHOTO 810



EPSON STYLUS PHOTO 810

No.3

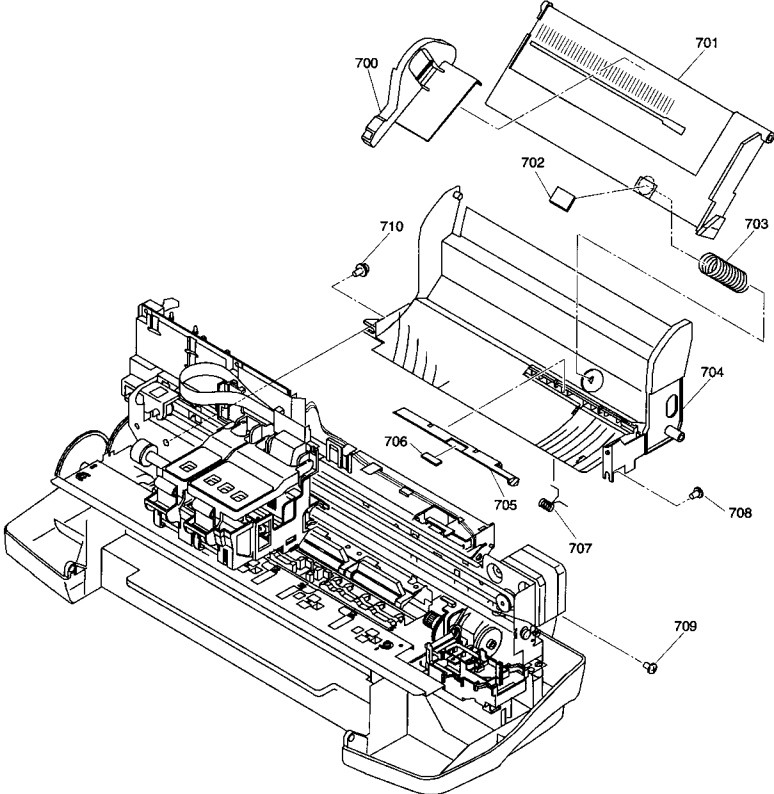
EPSON STYLUS PHOTO 810



EPSON STYLUS PHOTO 810

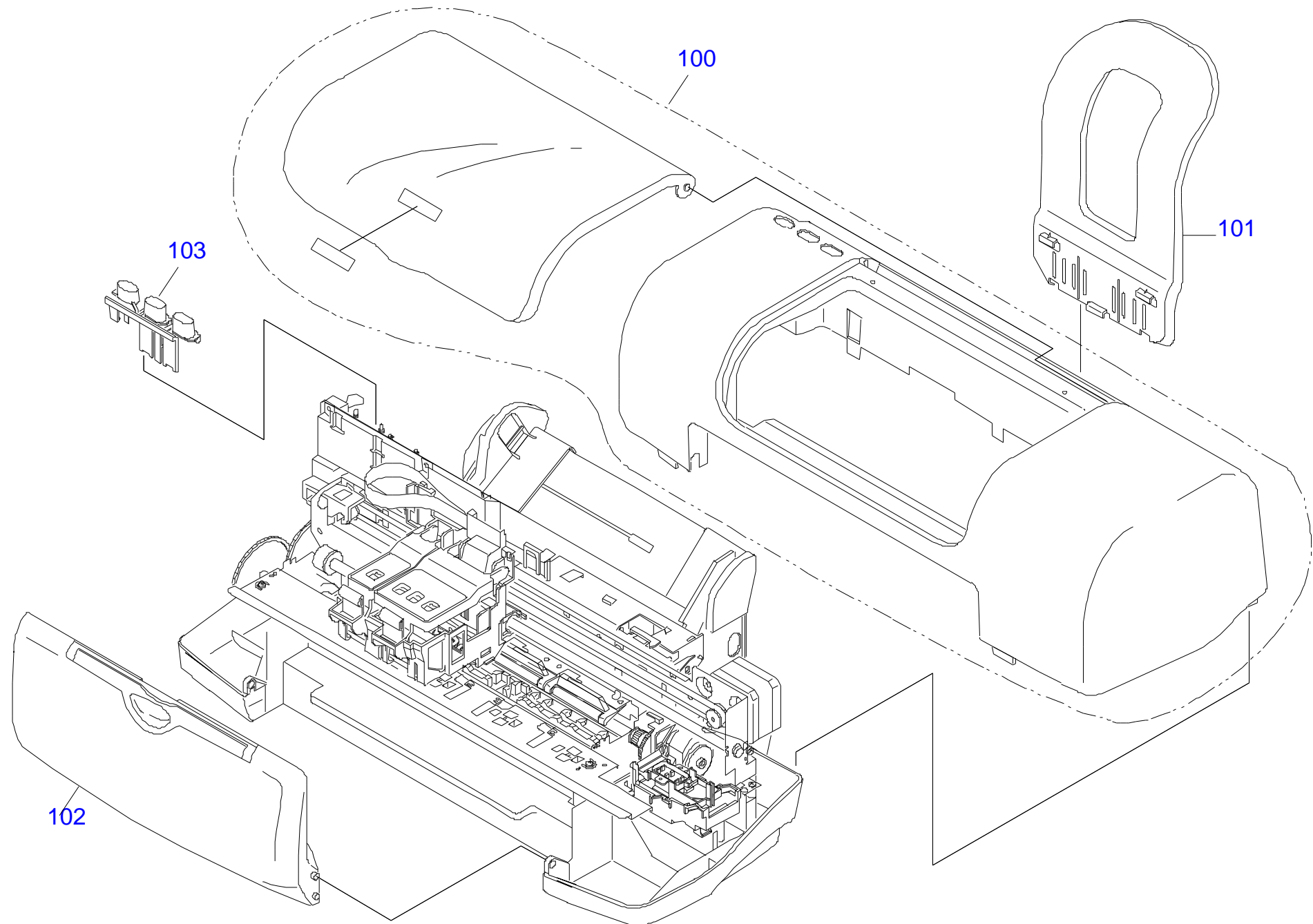
No.4

EPSON STYLUS PHOTO 810



EPSON STYLUS PHOTO 810

FIG. 5



EPSON STYLUS PHOTO 820 / 810

No.1 Rev.01 10330

