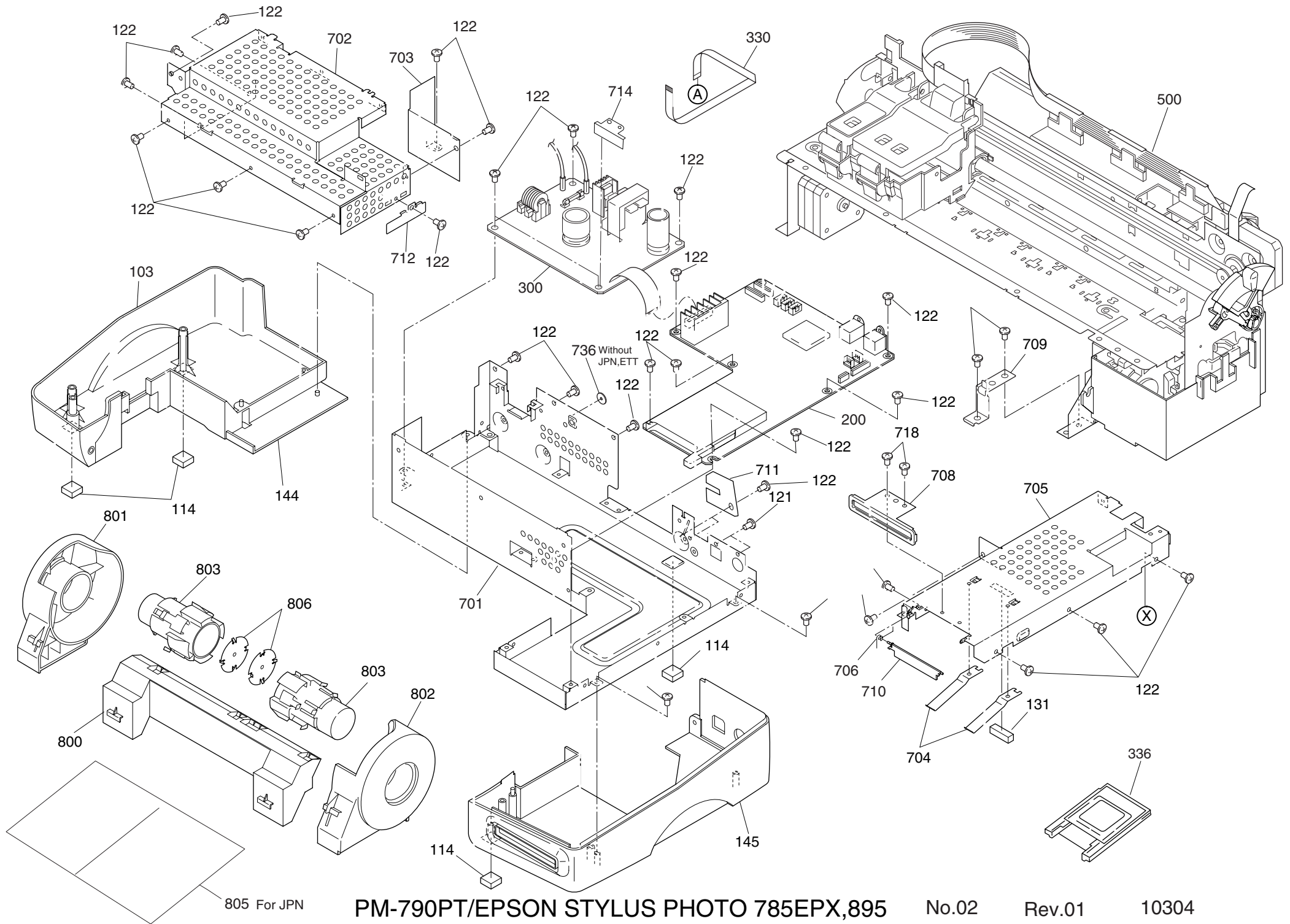


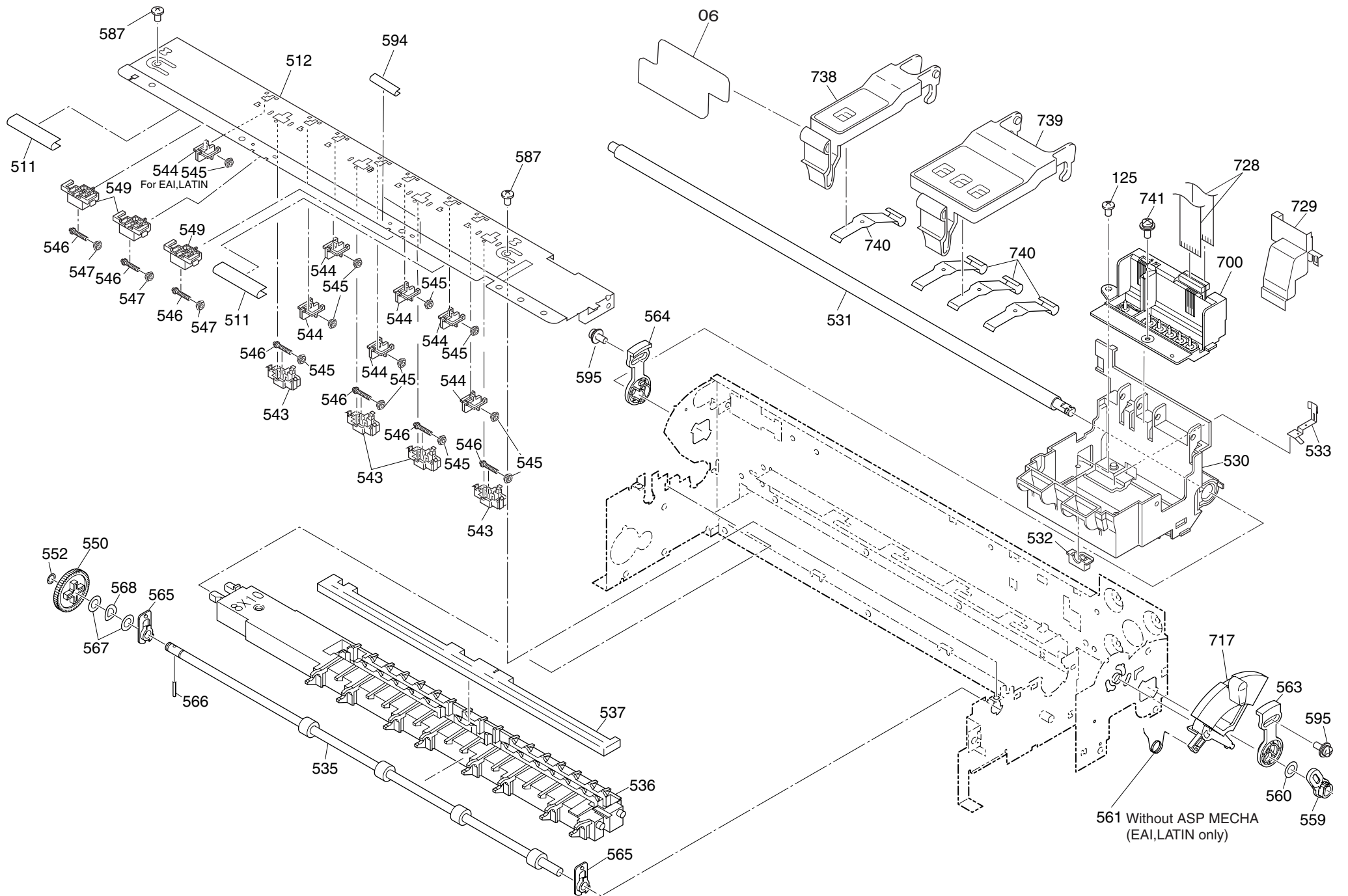
PM-790PT/EPSON STYLUS PHOTO 785EPX,895

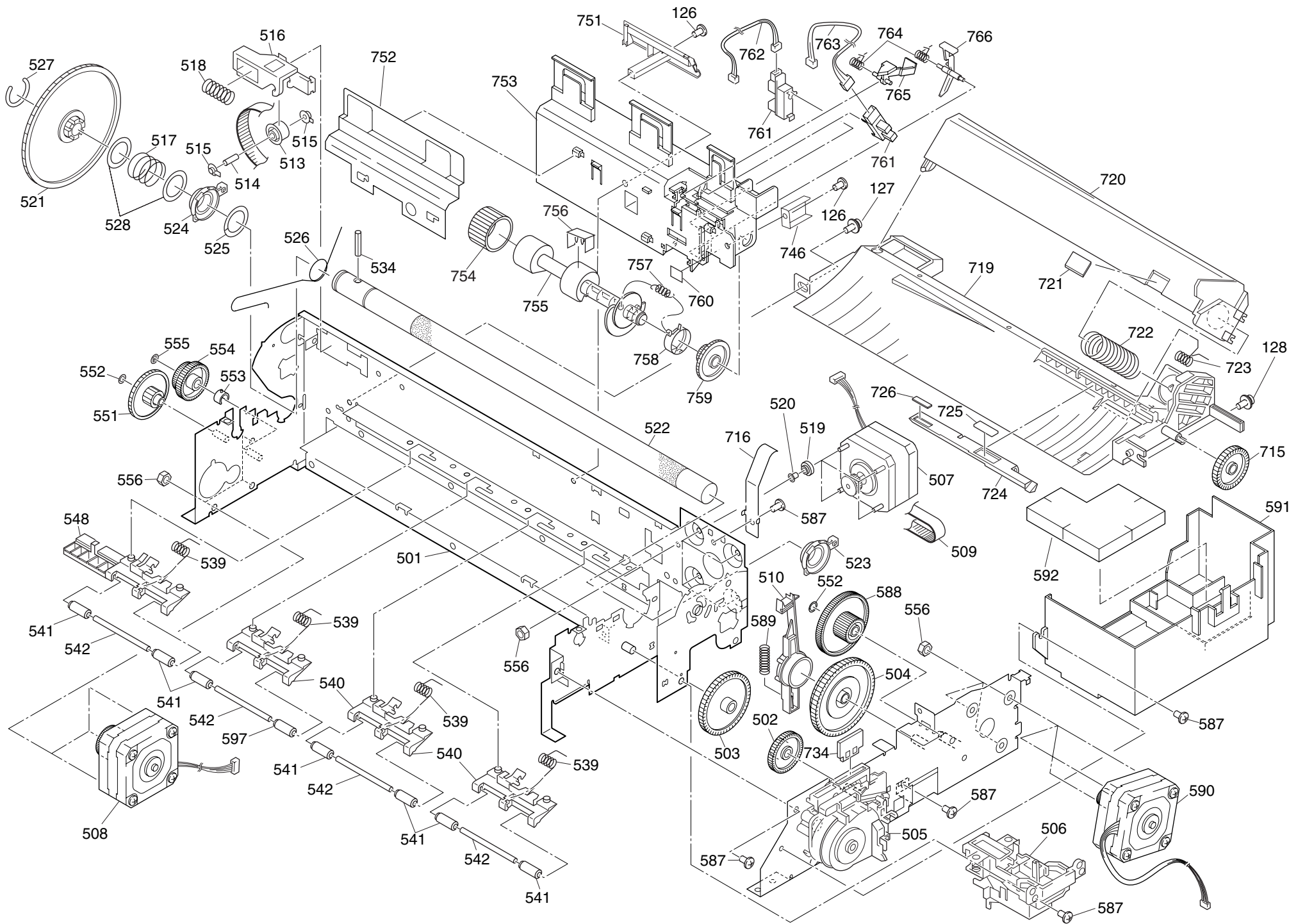
No.01

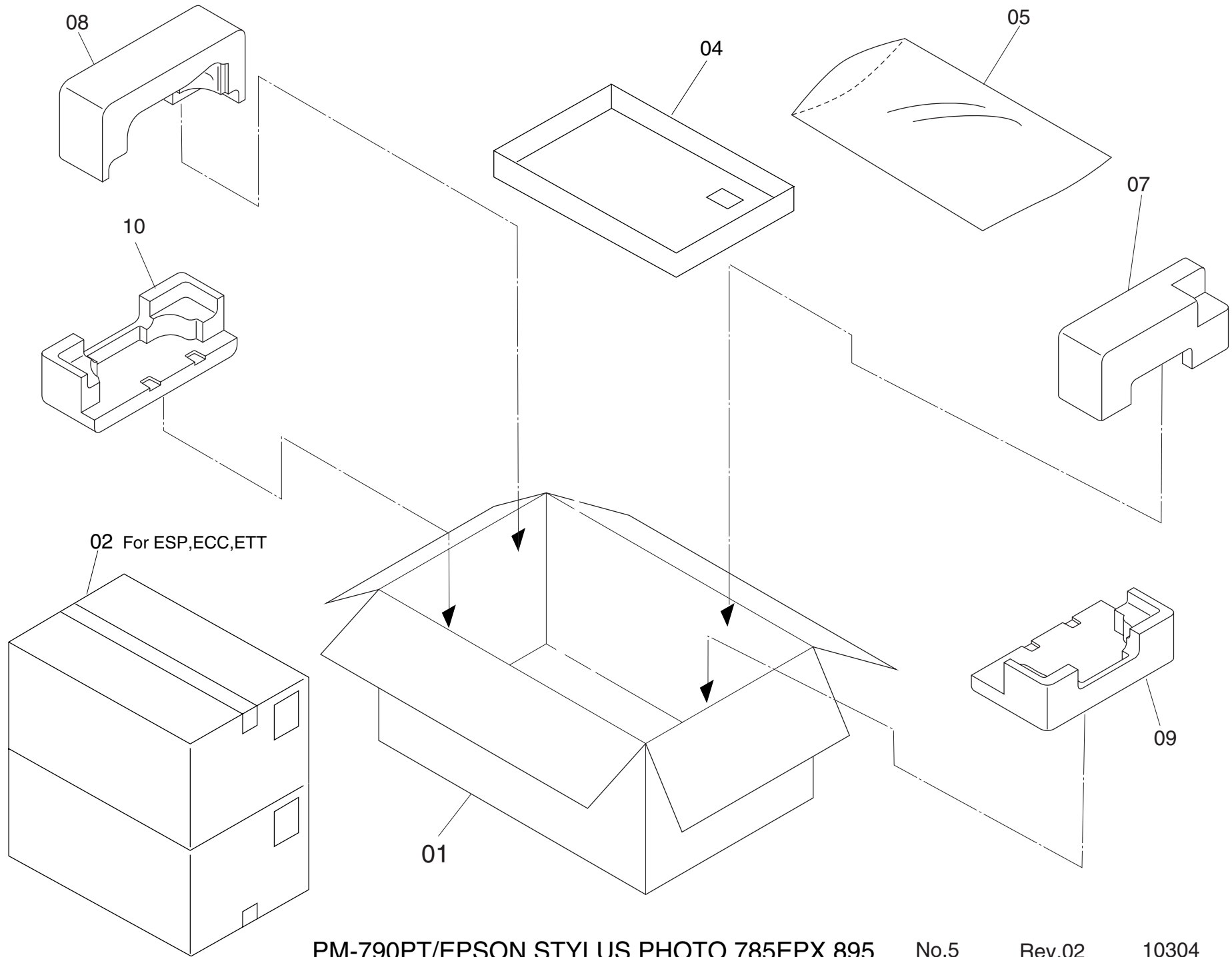
Rev.02

10304









Part Code	Part Name	Ref No.	Category	Qty	Remark
2002364	POWER CABLE,(VD31303SA-10A)	400	Cable	1	
2047320	BOARD ASSY.,PANEL	450	Cable	1	
2050994	BOARD ASSY.,PANEL	451	Cable	1	
1082890	HOUSING;B	100	Case	1	
1061461	COVER,PRINTER	101	Case	1	
1070491	PAPER SUPPORT;B;ENB-7	102	Case	1	
1061465	HOUSING,PANEL,LEFT	103	Case	1	
1083538	HOUSING,PANEL,RIGHT;F	104	Case	1	
1061468	BUTTON,PS	105	Case	1	
1061467	BUTTON,THREE TYPE	106	Case	1	
1061469	LENS	107	Case	1	
1058403	LOGO PLATE 10X40;C,2COLOR SEIKEI	109	Case	1	
1061475	OPTICAL TUBE,ACCESS	110	Case	1	
1061470	SHIELD PLATE,PANEL	111	Case	1	
1084154	STACKER ASSY.,ASP	113	Case	1	
1047689	FOOT	114	Case	4	
1058664	LOCK,STACKER;B	115	Case	1	
1058665	COMPRESSION SPRING,2.94	116	Case	1	
1033230	FOOT	117	Case	1	
1004539	C.P.SCREW(B010103311)	121	Case	2	
1073165	C.B.S. SCREW(B300204211)	122	Case	33	
1032538	C.B.(O) SCREW,4X5,F/ZG	123	Case	1	
1053639	C,B,S-TITE R.SCREW,3X6,F/UC	124	Case	2	
1005019	C.B.P-TITE SCREW,3X8,F/ZN	125	Case	18	
1073171	C.B.S. SCREW(B300204311)	126	Case	2	
1032300	C.B.S-TITE(P4),3X6,F/ZN	127	Case	1	
1059305	C.F.S-TITE,3X8,F/ZN	127	Case	2	
1045787	C.B.S-TITE(P4),3X8,F/ZN	128	Case	1	
1069708	GASKET,PC CARD	131	Case	1	
1082887	BUTTON,PRINT START;B	132	Case	1	
1061471	BUTTON,STOP	133	Case	1	
1061473	BUTTON,FRAME	134	Case	1	
1061472	BUTTON,CROSS KEY	135	Case	1	
1080488	SHIELD PLATE,PANEL,LCD;B	136	Case	1	
1063754	HOUSING,PANEL,SUPPORT,RIGHT	137	Case	1	
1063755	HOUSING,PANEL,SUPPORT,LEFT	138	Case	1	
1082888	COVER,COLOR,LCD;B	139	Case	1	
1080517	COVER,LCD;O	140	Case	1	
1078533	TAPE,21X62	141	Case	1	
1081271	TAPE,3.3X35	142	Case	1	
1081272	TAPE,3.3X45	143	Case	1	
1061463	HOUSING,SUPPORT,LEFT	144	Case	1	
1061464	HOUSING,SUPPORT,RIGHT	145	Case	1	
1082886	SPRING,BUTTON,PRINT START	146	Case	1	
1069835	SHEET,LCD;B	181	Case	1	
1069839	SHEET,LCD,UPPER;B	182	Case	1	
1069848	SHEET,LCD,MIDDLE;B	183	Case	1	
1069849	SHEET,LCD,LOWER;B	184	Case	1	

2055953	BOARD ASSY., MAIN	200	Electronic Parts	1
2026113	BEADS CORE	B1	Electronic Parts	1
2031072	BEADS CORE	B10	Electronic Parts	1
2028522	BEADS CORE	B11	Electronic Parts	1
2028522	BEADS CORE	B12	Electronic Parts	1
2028522	BEADS CORE	B13	Electronic Parts	1
2028522	BEADS CORE	B14	Electronic Parts	1
2028522	BEADS CORE	B15	Electronic Parts	1
2031072	BEADS CORE	B2	Electronic Parts	1
2030330	BEDS CORE	B3	Electronic Parts	1
2030330	BEDS CORE	B4	Electronic Parts	1
2031072	BEADS CORE	B6	Electronic Parts	1
2031072	BEADS CORE	B7	Electronic Parts	1
2031072	BEADS CORE	B8	Electronic Parts	1
2031072	BEADS CORE	B9	Electronic Parts	1
2037990	GOLD CAPACITOR	C13	Electronic Parts	1
2048854	ALMINIUM ELECTOROLYTIC CAPACITOR	C203	Electronic Parts	1
2035107	ALMINIUM ELECTOROLYTIC CAPACITOR	C55	Electronic Parts	1 UNIQUE PARTS
2035107	ALMINIUM ELECTOROLYTIC CAPACITOR	C59	Electronic Parts	1 UNIQUE PARTS
2035107	ALMINIUM ELECTOROLYTIC CAPACITOR	C60	Electronic Parts	1 UNIQUE PARTS
2035097	ALMINIUM ELECTOROLYTIC CAPACITOR	C65	Electronic Parts	1 UNIQUE PARTS
2035106	ALMINIUM ELECTOROLYTIC CAPACITOR	C66	Electronic Parts	1 UNIQUE PARTS
2035095	ALMINIUM ELECTOROLYTIC CAPACITOR	C80	Electronic Parts	1
2035107	ALMINIUM ELECTOROLYTIC CAPACITOR	C82	Electronic Parts	1 UNIQUE PARTS
2035095	ALMINIUM ELECTOROLYTIC CAPACITOR	C94	Electronic Parts	1
2047251	CONNECTOR	CN1	Electronic Parts	1
2047254	CONNECTOR	CN1	Electronic Parts	1
1043112	C.B.SCREW,2X10,F/ZN	CN1-1	Electronic Parts	1
1043112	C.B.SCREW,2X10,F/ZN	CN1-2	Electronic Parts	1
2006205	CONNECTOR	CN10	Electronic Parts	1
2029530	CONNECTOR	CN11	Electronic Parts	1
2029529	CONNECTOR	CN12	Electronic Parts	1
2029528	CONNECTOR	CN13	Electronic Parts	1
2036823	CONNECTOR	CN14	Electronic Parts	1
2015275	CONNECTOR	CN2	Electronic Parts	1
2027835	CONNECTOR	CN3	Electronic Parts	1
2007096	CONNECTOR(X600440310)	CN4	Electronic Parts	1
2022864	CONNECTOR	CN5	Electronic Parts	1
2036062	CONNECTOR	CN7	Electronic Parts	1
2036823	CONNECTOR	CN8	Electronic Parts	1
2036823	CONNECTOR	CN9	Electronic Parts	1
2047256	CRYSTAL	CR2	Electronic Parts	1
2027833	CR NETWORK	CRM1	Electronic Parts	1
2027833	CR NETWORK	CRM2	Electronic Parts	1
2027833	CR NETWORK	CRM3	Electronic Parts	1
2027799	CRYSTAL OSCILLATOR	CRU1	Electronic Parts	1
2012708	DIODE	D1	Electronic Parts	1
2021266	DIODE	D10	Electronic Parts	1
2021266	DIODE	D11	Electronic Parts	1
2021266	DIODE	D12	Electronic Parts	1

2012708	DIODE	D13	Electronic Parts	1
2021266	DIODE	D14	Electronic Parts	1
2021266	DIODE	D15	Electronic Parts	1
2036316	SHOT KEY BARRIER DIODE	D2	Electronic Parts	1
2021266	DIODE	D3	Electronic Parts	1
2021266	DIODE	D4	Electronic Parts	1
2021266	DIODE	D5	Electronic Parts	1
2021266	DIODE	D6	Electronic Parts	1
2021266	DIODE	D7	Electronic Parts	1
2021266	DIODE	D8	Electronic Parts	1
2021266	DIODE	D9	Electronic Parts	1
2014597	DIODE ARRAY	DM1	Electronic Parts	1
2027798	DIODE ARRAY	DM2	Electronic Parts	1
2012633	FUSE	F1	Electronic Parts	1
1053938	HEAT SINK	HT1	Electronic Parts	1 UNIQUE PARTS
2033889	HYBRID IC	IC10	Electronic Parts	1
2033889	HYBRID IC	IC11	Electronic Parts	1
2032152	ANALOG IC	IC12	Electronic Parts	1 UNIQUE PART
2047257	MICROCONTROLLER	IC15	Electronic Parts	1
2047258	ASIC	IC17	Electronic Parts	1
2037353	SD-RAM	IC18	Electronic Parts	1
2048889	ASIC	IC2	Electronic Parts	1
2037152	INTERFACE IC	IC20	Electronic Parts	1
2033569	COMPARATOR	IC23	Electronic Parts	1
2054456	FLASH-ROM	IC24	Electronic Parts	1
2047259	VOLTAGE REGULATOR	IC26	Electronic Parts	1
2036293	IC SOCKET	IC3	Electronic Parts	1 UNIQUE PARTS
2054129	PRINTER ROM FOR TALBOT	IC3	Electronic Parts	1
2032276	DRAM	IC5	Electronic Parts	1
2033889	HYBRID IC	IC9	Electronic Parts	1
2026254	TRANSISTOR	Q1	Electronic Parts	1
2026133	TRANSISTOR	Q201	Electronic Parts	1
2019965	TRANSISTOR	Q3	Electronic Parts	1
2017978	TRANSISTOR	Q4	Electronic Parts	1
1049060	C.B.SCREW,2.6X6,F/ZN	Q5	Electronic Parts	1
2034685	NPN TRANSISTOR	Q5	Electronic Parts	1 UNIQUE PARTS
1049060	C.B.SCREW,2.6X6,F/ZN	Q6	Electronic Parts	1
2034686	NPN TRANSISTOR	Q6	Electronic Parts	1 UNIQUE PARTS
2017978	TRANSISTOR	Q7	Electronic Parts	1
2026133	TRANSISTOR	Q8	Electronic Parts	1
2019965	TRANSISTOR	Q9	Electronic Parts	1
2028576	FET	QF201	Electronic Parts	1
2047263	PNP TRANSISTOR	QM201	Electronic Parts	1
2055756	CHIP RESISTOR	R14	Electronic Parts	1
2055755	CHIP RESISTOR	R15	Electronic Parts	1
2049360	PRINTER MECHANISM(ASP),M-A210-100	500	Mechanism Parts	1
1070530	FRAME ASSY.,MAIN;C	501	Mechanism Parts	1
1056427	COMBINATION GEAR,9.6,24	502	Mechanism Parts	1
1056426	SPUR GEAR,36.8	503	Mechanism Parts	1
1056429	COMBINATION GEAR,37.6,44.4	504	Mechanism Parts	1

1113412	PUNP ASSY.;C	505	Mechanism Parts	1
1113411	CAP ASSY.	506	Mechanism Parts	1
2035632	MOTOR ASSY.,CR	507	Mechanism Parts	1
2035634	MOTOR ASSY.,PF	508	Mechanism Parts	1
1056415	TIMING BELT	509	Mechanism Parts	1
1056423	LEVER,CHANGE	510	Mechanism Parts	1
1060089	SHEET,PROTECTION	511	Mechanism Parts	2
1104889	FRAME,FRONT;D	512	Mechanism Parts	1
1077665	PULLEY,DRIVEN	513	Mechanism Parts	1
1050347	SHAFT,PULLEY,DRIVEN	514	Mechanism Parts	1
1050346	BUSHING,PULLEY,DRIVEN	515	Mechanism Parts	2
1056418	HOLDER,PULLEY,DRIVEN	516	Mechanism Parts	1
1030957	COMPRESSION SPRING,5.85	517	Mechanism Parts	1
1058404	COMPRESSION SPRING,19.6	518	Mechanism Parts	1
1036680	INSULATOR,MOTOR,CR	519	Mechanism Parts	4
1024352	SPACER,INSULATOR	520	Mechanism Parts	4
1040582	SPURGEAR,73.6	521	Mechanism Parts	1
1061735	ROLLER,PF	522	Mechanism Parts	1
1216068	BUSH,ROLLER,PF,RIGHT	523	Mechanism Parts	1
1079298	BUSH,ROLLER,PF,LEFT;B	524	Mechanism Parts	1
1037094	SPACER,FASTEN,ROLLER,PF	525	Mechanism Parts	1
1058563	GROUNDINGWIRE,PF	526	Mechanism Parts	1
1031164	C-RING	527	Mechanism Parts	1
1030967	PLANE WASHER,12.2X0.5X15	528	Mechanism Parts	2
1078973	CARRIAGE;C	530	Mechanism Parts	1
1056416	SHAFT,CR,GUIDE	531	Mechanism Parts	1
1056410	SLIDER,CR	532	Mechanism Parts	1
1056412	GROUNDING PLATE,HEAD	533	Mechanism Parts	1
1032301	SCALLOP SPRING PIN-AW,2X16,F/B	534	Mechanism Parts	1
1079167	ROLLER,ASSY.,EJ	535	Mechanism Parts	1
1059402	PAPER GUIDE,FRONT	536	Mechanism Parts	1
1060282	POROUS PAD,PAPER GUIDE,FRONT	537	Mechanism Parts	1
1079238	TORSION SPRING,87.9	539	Mechanism Parts	4
1090180	PAPER GUIDE,UPPER;B	540	Mechanism Parts	3
1052669	ROLLER,DRIVEN	541	Mechanism Parts	7
1052670	SHAFT,ROLLER,DRIVEN	542	Mechanism Parts	4
1080779	HOLDER,STARWHEEL,FRONT;B	543	Mechanism Parts	4
1071406	HOLDER,STARWHEEL,REAR	544	Mechanism Parts	6
1045223	STARWHEEL ASSY.,8;E	545	Mechanism Parts	10
1032244	ROD SPRING,STAR WHEEL	546	Mechanism Parts	7
1033652	STARWHEEL,8;B	547	Mechanism Parts	3
1090179	PAPER GUIDE,LEFT;B	548	Mechanism Parts	1
1091328	HOLDER,STARWHEEL,EJ;B	549	Mechanism Parts	3
1056442	SPUR GEAR,25.6	550	Mechanism Parts	1
1056424	COMBINATION GEAR,11.6,36.8	551	Mechanism Parts	1
1030971	PLANE WASHER,4.1X0.5X6.5	552	Mechanism Parts	3
1040644	BUSHING,FASTEN,COMBINATION GEAR	553	Mechanism Parts	1
1040581	COMBINATION GEAR,16,21.6	554	Mechanism Parts	1
1023219	PUSHING NUT,2	555	Mechanism Parts	1
1024505	HEXAGON NUT,NORMAL,M3	556	Mechanism Parts	10

1030395	LEVER,PG,SUPPORT	559	Mechanism Parts	1
1076289	LEAF SPRING(B101254590)	560	Mechanism Parts	1
1032240	TORSION SPRING,63.7	561	Mechanism Parts	1
1056414	BUSHING,PARALLELISM ADJUST,RIGHT	563	Mechanism Parts	1
1056413	BUSHING,PARALLELISM ADJUST,LEFT	564	Mechanism Parts	1
1056444	BUSHING,5	565	Mechanism Parts	2
1056717	SCALLOP S.P SP-AW,1.6X10,F/B	566	Mechanism Parts	1
1030821	PLANE WASHER,5.2X0.2X10,S/NA	567	Mechanism Parts	2
1048912	U-TYPE SPRING,5.2X0.13X10,S/NA	568	Mechanism Parts	1
1073165	C.B.S. SCREW(B300204211)	587	Mechanism Parts	10
1061405	COMBINATION GEAR,14.4,38.4	588	Mechanism Parts	1
1080777	COMPRESSION SPRING,2.94;B	589	Mechanism Parts	1
2043376	MOTOR ASSY.,ASF	590	Mechanism Parts	1
1232114	TRAY,IS;C,ASP	591	Mechanism Parts	1
1063064	POROUS PAD,INK EJECT,CAP,LOWER;D	592	Mechanism Parts	1
1079156	SHEET,PROTECTION;SMALL	594	Mechanism Parts	2
1032300	C.B.S-TITE(P4),3X6,F/ZN	595	Mechanism Parts	4
1080217	ROLLER,DRIVEN	597	Mechanism Parts	1
1154171	POROUS PAD,TRAY,IS,UPPER;B	598	Mechanism Parts	1
1154172	POROUS PAD,TRAY,IS,LOWER;B	599	Mechanism Parts	1
1104981	HOLD SPRING,FRAME,CAP;B	600	Mechanism Parts	1
F083010	PRINT HEAD	700	Mechanism Parts	1
1061414	SHIELD PLATE,M/B	701	Mechanism Parts	1
1061415	SHIELD PLATE,M/B,UPPER	702	Mechanism Parts	1
1061417	COVER,SHIELD PLATE,M/B	703	Mechanism Parts	1
1067890	GROUNDING PLATE,PC CARD	704	Mechanism Parts	2
1061416	SHIELD PLATE,P/B,UPPER	705	Mechanism Parts	1
1061421	SPRING,SHUTTER,PC CARD	706	Mechanism Parts	1
1059148	EDGE GUIDE;B	707	Mechanism Parts	1
1061418	HOUSING SUPPORT,PC CARD	708	Mechanism Parts	1
1067892	SHIELD PLATE,P/B,SUPPORT	709	Mechanism Parts	1
1050514	CAVER,PC CARD	710	Mechanism Parts	1
1067891	SHIELD PLATE,M/B,SUPPORT	712	Mechanism Parts	1
1053757	PAD,BRAKE,EDGE GUIDED	713	Mechanism Parts	1
1056408	COVER,SHIELD PLATE	714	Mechanism Parts	1
1039368	SPUR GEAR,23.2	715	Mechanism Parts	1
1067889	GROUNDING PLATE,LCD	716	Mechanism Parts	1
1061403	LEVER,PG	717	Mechanism Parts	1
1004527	C.P.SCREW(B010109511)	718	Mechanism Parts	2
1056439	FRAME,ASF	719	Mechanism Parts	1
1082038	HOPPER;B	720	Mechanism Parts	1
1052694	PAD,HOPPER	721	Mechanism Parts	1
1052693	COMPRESSION SPRING,4.80	722	Mechanism Parts	1
1060220	TORSION SPRING,36.8	723	Mechanism Parts	1
1057168	HOLDER,PAD	724	Mechanism Parts	1
1059009	PAD,LD,SMALL	725	Mechanism Parts	1
1057554	PAD,LD;D	726	Mechanism Parts	1
1060933	COMPRESSION SPRING,7.77	727	Mechanism Parts	1
2043872	CABLE,HEAD	728	Mechanism Parts	1
1078972	HOLDER,CABLE HEAD;B	729	Mechanism Parts	1

1082720	TRAY,POROUS PAD;B	730	Mechanism Parts	1
1063989	POROUS PAD,INK EJECT,LOWER;B	731	Mechanism Parts	1
1063991	POROUS PAD,INK EJECT,MIDDLE;B	732	Mechanism Parts	2
1050580	CLEANER HEAD,ASP	734	Mechanism Parts	1
1076213	HEXAGON NUT(B070200411)	736	Mechanism Parts	1
1056436	PAPER GUIDE,LOWER	737	Mechanism Parts	1
1082919	COVER,CARTRIDGE,BK;D	738	Mechanism Parts	1
1057624	COVER,CARTRIDGE,C;B	739	Mechanism Parts	1
1059196	PLATE SPRING,COVER,CARTRIDGE	740	Mechanism Parts	4
1023043	+ .BIND B-TITE SEMS W2,2.5X5,F/ZB	741	Mechanism Parts	2
1064000	POROUS PAD,INK EJECT,UPPER;B	743	Mechanism Parts	1
1069715	STOPPER,PAPER GUIDE,LOWER	744	Mechanism Parts	3
1080489	SUPPORT PLATE,HOLDER,SHAFT;C	746	Mechanism Parts	1
1055837	IDLE ROLLER	747	Mechanism Parts	2
1079695	HOLDER,IDLE ROLLER	748	Mechanism Parts	1
1079696	SPRING,HOLDER,IDLE ROLLER	749	Mechanism Parts	2
1079701	DOUBLE SIDED TAPE,88X20	750	Mechanism Parts	1
1079168	COVER,ROLLER,LD	751	Mechanism Parts	1
1059310	GROUNDING PLATE,HEAD FFC	752	Mechanism Parts	1
1061406	HOLDER,SHAFT	753	Mechanism Parts	1
1059633	ROLLER,LD	754	Mechanism Parts	1
1107943	SHAFT,ROLLER,LD;D	755	Mechanism Parts	1
1054820	SHAFT,ROLLER,LD,SUPPORT	756	Mechanism Parts	1
1052673	EXTENSION SPRING,0.143	757	Mechanism Parts	1
1107941	CLUTCH;B	758	Mechanism Parts	1
1052717	SPUR GEAR,35.2	759	Mechanism Parts	1
1080966	STOPPER,LEVER,CHANGE	760	Mechanism Parts	1
2021833	DETECTOR,HP;C	761	Mechanism Parts	2
2043873	HARNESS,DETECTOR,PE	762	Mechanism Parts	1
2037213	HARNESS,DETECTOR	763	Mechanism Parts	1
1052613	TORSIONSPRING,0.22	764	Mechanism Parts	2
1061404	LEVER,DETECTOR,HP	765	Mechanism Parts	1
1052595	LEVER,DETECTOR,PE	766	Mechanism Parts	1
1082600	GUIDE,TUBE	767	Mechanism Parts	1
1061409	MOUNTING PLATE,ROLL PAPER HOLDER	800	Mechanism Parts	1
1067883	FRAME,ROLL PAPER,LEFT;B	801	Mechanism Parts	1
1067884	FRAME,ROLL PAPER,RIGHT;B	802	Mechanism Parts	1
1067885	STOPPER,ROLL PAPER;B	803	Mechanism Parts	2
1075149	SUPPORT PLATE,STOPPER,ROLL PAPER	806	Mechanism Parts	2
5011446	PAD,ACCESSORY	4	Packing Material	1
5011450	PLASTIC PROTECTIVE BAG,460X800X0.03T	5	Packing Material	1
5011620	PAD,CR	6	Packing Material	1
1231089	I/C WITHOUT INDIVIDUAL BOX,C,OVERSEAS,AS,4C483P	NON FIG	Packing Material	1
1231147	I/C WITHOUT INDIVIDUAL BOX,B,OVERSEAS,AS,4C483B	NON FIG	Packing Material	1
1262115	CLEANING SHEET,POSTAL,ASP1ROLL	NON FIG	Packing Material	1
4014009	SUPPLEMENT	NON FIG	Packing Material	1
2047234	BOARD ASSY., POWER SUPPLY	300	Power Supply	1
2047355	WIRE HARNESS	330	Power Supply	1
2047354	WIRE HARNESS	331	Power Supply	1
2034142	COMPACT FLASH ADAPTER	336	Power Supply	1

6022796	Shipping Liquid,S46,18kg	NON FIG	Tools	1	
6022804	Shipping Liquid,S46,1kg	NON FIG	Tools	1	
Part Code	Part Name	Ref No.	Category	Qty	Remark