

EPSON

STYLUS PHOTO 925

(Part numbers in brackets are the old numbers for otherwise identical items)

Page No.:1

REF	PART NO	DESCRIPTION	SPEC	QTY
100	1109498	HOUSING;B		1
101	1112505	PAPER,SUPPORT; DARK GREY		1
102	1109500	HOUSING,COVER,RIGHT;B		1
103	1109502	HOUSING,COVER,LEFT;B		1
104	1154378	COVER,PRINTER ASSY.;B		1
105	1112506	COVER,ASF;EDG		1
106	1215827	COVER,CUTTER,LOWER; DARK GREY		1
107	1154379	STACKER ASSY.;B		1
108	1154381	HOUSING,SUPPORT,LEFT,FRONT ASSY.;B		1
109	1154380	HOUSING,SUPPORT,RIGHT,FRONT ASSY.;B		1
110	1084897	COVER,SLOT		1
111	1109522	HOUSING,SUPPORT,LEFT,REAR;B		1
112	1217972	EDGE GUIDE ASSY.;D		1
113	1109517	HOUSING,SUPPORT,RIGHT,REAR;B		1
120	1024130	C.B.P-TITE SCREW,3X6,F/ZN		2
121	1004539	C.P.SCREW(B010103311)	M3X6	1
122	1073165	C.B.S. SCREW(B300204211)	M3X6	5
122	1073165	C.B.S. SCREW(B300204211)	M3X6	38
124	1070802	C.P.SCREW(B010102311)	M2.5X6	1
125	1005019	C.B.P-TITE SCREW,3X8,F/ZN	M3X8 F/ZN	7
125	1005019	C.B.P-TITE SCREW,3X8,F/ZN	M3X8 F/ZN	9
126	1073162	C.B.S. SCREW(B300200111)	M3X4	4
126	1073162	C.B.S. SCREW(B300200111)	M3X4	1
127	1109511	BUTTON,MOVE;B		1
128	1109504	BUTTON,PANEL;B		1
129	1109510	BUTTON,PRINT;B		1
130	1109507	BUTTON,CANCEL;B		1
131	1109505	BUTTON,PS;B		1
132	1109509	BUTTON,MEMORY;B		1
133	1084901	OPTICAL TUBE,PANEL		1
134	1112507	COVER,COLOUR, LCD;C		1
135	1109304	COVER,LCD;B		1
136	1084904	DOUBLE SIDED TAPE,3.5X34		2
137	1084903	DOUBLE SIDED TAPE,4.5X55		2
138	1047689	FOOT		5
139	1104787	SHEET,PRINT;B		1
140	1104790	SHEET,CANCEL;B		1
141	1108263	SHEET,CUSTOM;B		1
142	1108265	SHEET,SELECT;C		1
143	1108264	SHEET,BACK;C		1
144	1217968	ARM,STACKER,SUPPORT ASSY.;EDG		1
148	1091819	GROUNDING PLATE,CONN		1
149	1109508	BUTTON,SET;B		1
200	2077642	BOARD ASSY.,MAIN 5865J, (ROM MOUNTING)	SEE NOTE BELOW	1
300	2060487	BOARD ASSY.,POWER SUPPLY	5875A,STANDARD	1
330	2075677	HARNESS		1
400	2002364	POWER CABLE,(VD31303SA-10A)	230V	1
450	1156274	PANEL,LCD ASSY.;B		1
500	2071485	PRINTER MECHANISM(ASP)MA212-100		1
501	1114059	FRAME ASSY.,MAIN;B		1
502	1056427	COMBINATION GEAR,9.6,24		1
503	1056426	SPUR GEAR,36.8		1

EPSON

STYLUS PHOTO 925

(Part numbers in brackets are the old numbers for otherwise identical items)

Page No.:2

REF	PART NO	DESCRIPTION	SPEC	QTY
504	1056429	COMBINATION GEAR,37.6,44.4		1
505	1213009	PUMP ASSY.;C		1
506	1212966	CAP ASSY.;B		1
507	2069113	MOTOR ASSY.,CARRIAGE	21W,	1
508	2069116	MOTOR ASSY.,PAPER FEED	21W,	1
509	1061405	COMBINATION GEAR,14.4,38.4		1
510	1056423	LEVER,CHANGE		1
511	1080777	COMPRESSION SPRING,2.94;B		1
512	2055436	MOTOR ASSEMBLY,ASF		1
513	1030392	BUSHING,PARALLELISM ADJUST,LEFT		1
514	1050347	SHAFT,PULLEY,DRIVEN		1
515	1050346	BUSHING,PULLEY,DRIVEN		2
516	1090129	MOUNTING PLATE,CUTTER,R		1
517	1030957	COMPRESSION SPRING,5.85		1
518	1050345	PULLEY,DRIVEN		1
519	1091442	COMPRESSION SPRING,21.56;B		1
520	1048810	HOLDER,PULLEY,DRIVEN		1
521	1080979	COMBINATION GEAR,13.6,33		1
522	1082548	EXTENSION SPRING,1.45		1
523	1048921	SCALE,CR		1
524	1079298	BUSH,ROLLER,PF,LEFT;B		1
525	1037094	SPACER,FASTEN,ROLLER,PF		1
526	1058563	GROUNDING WIRE,PF		1
527	1031164	C-RING		2
528	1108251	SLEEVE,ROLLER,PF		1
529	1080982	ROLLER,PF		1
530	1038159	PLAIN WASHER,12.2X0.5X17		2
531	1056416	SHAFT,CARRIAGE,GUIDE		1
532	1048928	SPUR GEAR,76		1
533	1048913	TAPE,D50		1
534	1032301	SCALLOP SPRING PIN-AW,2X16,F/B		1
536	1048923	SCALE,PAPER FEED		1
537	1214725	BUSHING,ROLLER,PF,RIGHT		1
539	1052671	TORSION SPRING,52.92		4
540	1090057	PAPER GUIDE ASSY.,LEFT		1
541	1090056	PAPER GUIDE ASSY.,UPPER		3
542	1215021	POROUS PAD,PAPER GUIDE,FRONT		1
543	1214729	PAPER GUIDE,FRONT		1
544	1090050	ROLLER EJECT ASSY.,		1
545	1214730	FRAME,FRONT;B		1
547	1090055	STAR WHEEL ASSY.,FRONT		7
548	1090054	STAR WHEEL ASSY.,REAR		7
549	1091337	SPUR GEAR,19.2		1
550	1090105	SHAFT,SPUR GEAR,CONNECT		1
551	1091338	SPUR GEAR,13.6		1
552	1030971	PLAIN WASHER,4.1X0.5X6.5		3
553	1090047	CARRIAGE ASSY.,		1
554	1073162	C.B.S. SCREW(B300200111)	M3X4	3
554	1073162	C.B.S. SCREW(B300200111)	M3X4	2
555	1073165	C.B.S. SCREW(B300204211)	M3X6	8
555	1073165	C.B.S. SCREW(B300204211)	M3X6	2
556	1004527	C.P.SCREW(B010109511)	M3X4	2

EPSON

STYLUS PHOTO 925

(Part numbers in brackets are the old numbers for otherwise identical items)

Page No.:3

REF	PART NO	DESCRIPTION	SPEC	QTY
557	1030393	BUSHING,PARALLELISM ADJUST,RIGHT		1
558	1056415	TIMING BELT		1
559	1030395	LEVER,PAPER GUIDE,SUPPORT		1
560	1076289	LEAF SPRING(B101254590)	6.2X0.15X11	1
561	1032240	TORSION SPRING,63.7		1
562	1091224	MOUNTING PLATE ASSY.,CUTTER,LEFT		1
564	1112089	PIPE,INK		1
565	1056444	BUSHING,5		1
566	1090137	GUIDE,TUBE		1
567	1032300	C.B.S-TITE(P4),3X6,F/ZN		2
568	1090106	COMBINATION GEAR,47,19.2		1
591	1090136	TRAY,IS		1
592	1091275	POROUS PAD,INK EJECT,CAP,LOWER		1
593	1104891	POROUS PAD,INK EJECT,CAP,UPPER		1
596	1230873	SUPPORT PLATE POROUS PAD		
700	F095001	PRINT HEAD	288	1
701	1090139	MOUNTING PLATE,ENCODER,PAPER FEED		1
702	2055067	BOARD ASSY.,ENCODER		1
703	2060534	FCC,ENCODER		1
704	1080991	GROUNDING PLATE,FFC,HEAD		1
705	1043627	C.B.P-TITE,2.5X5,F/ZN		1
706	1090052	ASF ASSY.,		1
707	1090937	GROUNDING PLATE,P/B,UPPER		1
708	1090935	CLEANER,HEAD,ASP		1
709	1084896	SHIELD PLATE,P/B,UPPER		1
710	1084895	SHIELD PLATE,M/B,UPPER		1
711	1056408	COVER,SHIELD PLATE		1
712	1084894	SHIELD PLATE,M/B		1
713	1084898	GROUNDING PLATE,P/B		1
714	1104419	COMPRESSION SPRING,3.91		1
715	1108015	COVER,FFC;B		1
716	1075955	ROLLER,LD;B		1
717	1052673	EXTENSION SPRING,0.143		1
718	1090051	HOLDER SHAFT ASSY.,		1
719	1091334	GROUNDING PLATE,SLOT		1
721	1039368	SPUR GEAR,23.2		1
722	1084883	GROUNDING PLATE,LCD		1
723	1005019	C.B.P-TITE SCREW,3X8,F/ZN	M3X8 F/ZN	2
724	1217148	CUTTER ASSY.;EDG		1
725	1073165	C.B.S. SCREW(B300204211)	M3X6	4
725	1073165	C.B.S. SCREW(B300204211)	M3X6	3
726	1109534	LEVER,PAPER GUIDE;B		1
727	1091222	COVER,HARNESS		1
728	1156275	CABLE,HEAD;B		1
729	1032300	C.B.S-TITE(P4),3X6,F/ZN		1
730	1084900	TRAY,POROUS PAD		1
731	1091942	POROUS PAD,INK EJECT,LOWER;D		1
732	1091943	POROUS PAD,INK EJECT,MIDDLE;D		2
733	1091763	POROUS PAD,INK EJECT;D		1
734	1090138	PAPER GUIDE,LOWER		1
735	1112590	SPACER,ASF		1
736	1113292	SHEET,PROTECTION,INK		1

EPSON

STYLUS PHOTO 925

(Part numbers in brackets are the old numbers for otherwise identical items)

Page No.:4

REF	PART NO	DESCRIPTION	SPEC	QTY
738	1082919	COVER,CARTRIDGE,BLACK;D		1
739	1057624	COVER,CARTRIDGE,COLOUR;B		1
740	1059196	PLATE SPRING,COVER,CARTRIDGE		4
741	1023043	+.BIND B-TITE SEMS W2,2.5X5,F/ZB		1
800	1059609	MOUNTING PLATE		1
801	1058169	FRAME ROLL PAPER LEFT		1
802	1058170	FRAME ROLL PAPER RIGHT		1
803	1058171	PLUG ROLL PAPER		2
804	NOT USED			
805	1113613	STACKER,A4 ROLL		1
806	1075149	LOCKING WASHER		2
807	1113868	FRAME,ROLL PAPER,LEFT;E ASSY		1
808	1113869	FRAME,ROLL PAPER,RIGHT;E ASSY		1
N/A	1081992	INK CARTRIDGE,BLACK,,AS		1
N/A	1081994	INK CARTRIDGE,COLOUR,,AS		1
NON FIG	1219814	INK CART.UNBOXED,BLACK,,AS		1
NON FIG	1219951	INK CART., UNBOXED COLOUR,,AS		1
END				

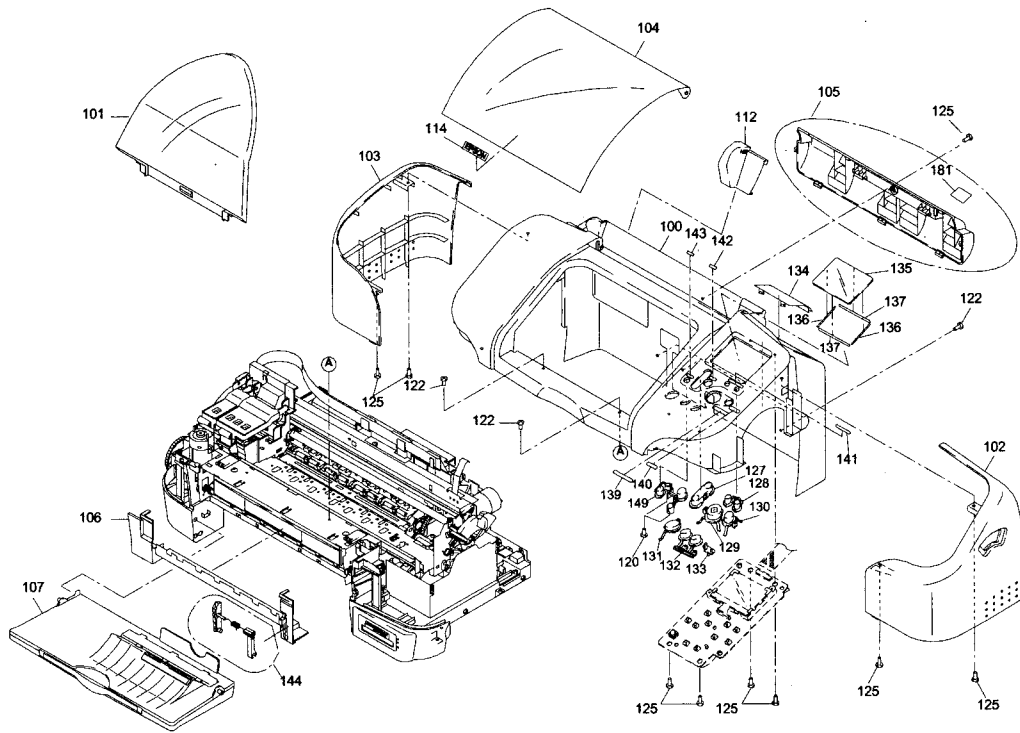
NOTE: REFER TO "TECHEXCHANGE" FOR INFORMATION ABOUT ORDERING IC'S

EPSON

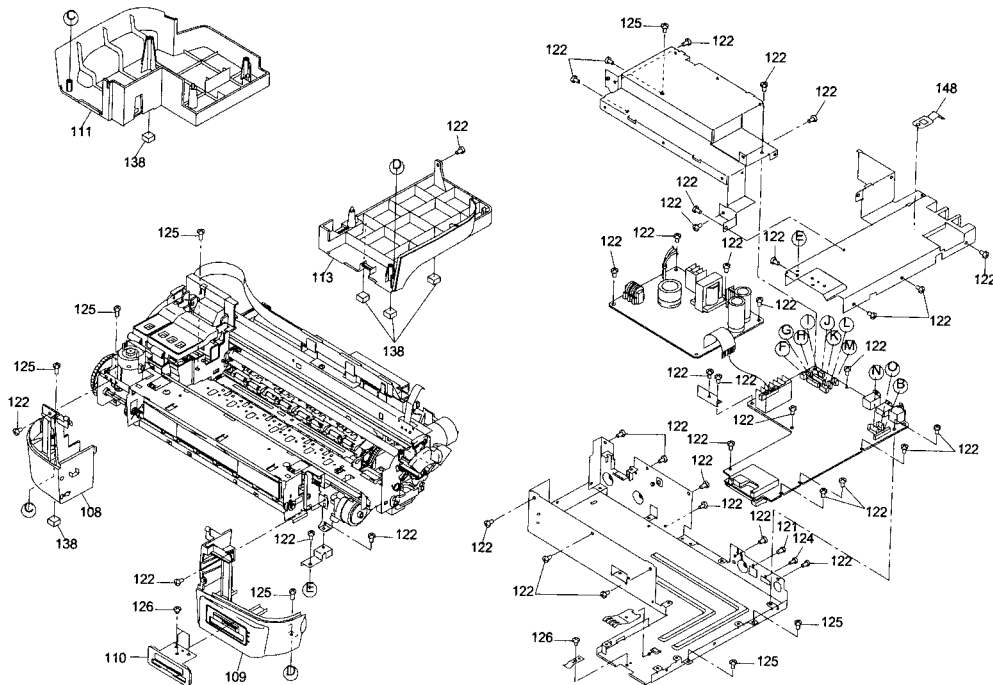
STYLUS PHOTO 925

(Part numbers in brackets are the old numbers for otherwise identical items)

Page No.:5



STYLUS PHOTO 925 No.1



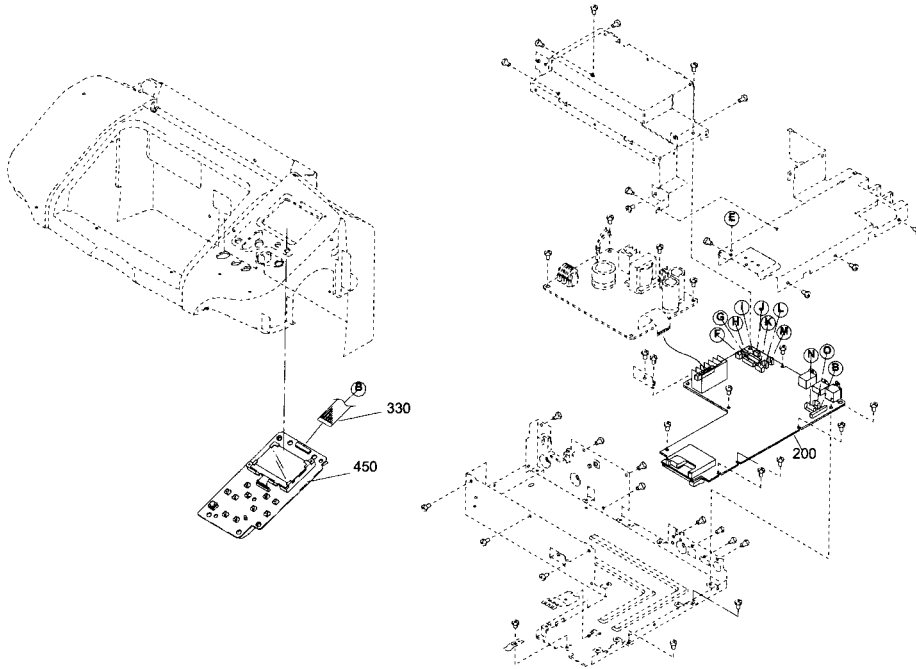
STYLUS PHOTO 925 No.2

EPSON

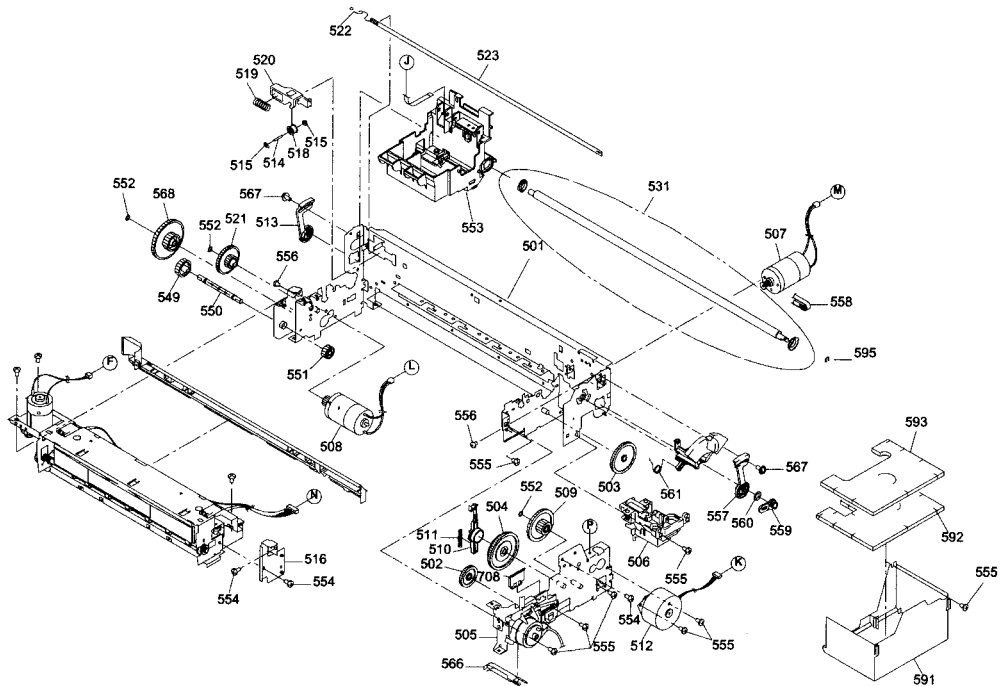
STYLUS PHOTO 925

(Part numbers in brackets are the old numbers for otherwise identical items)

Page No.:6



STYLUS PHOTO 925 No.3



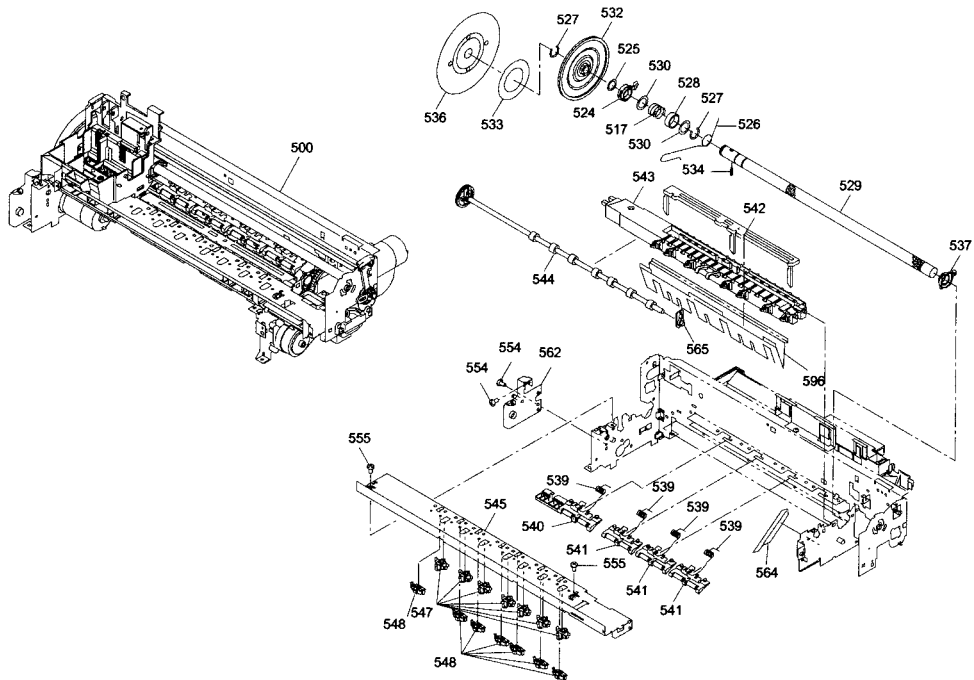
STYLUS PHOTO 925 No.4

EPSON

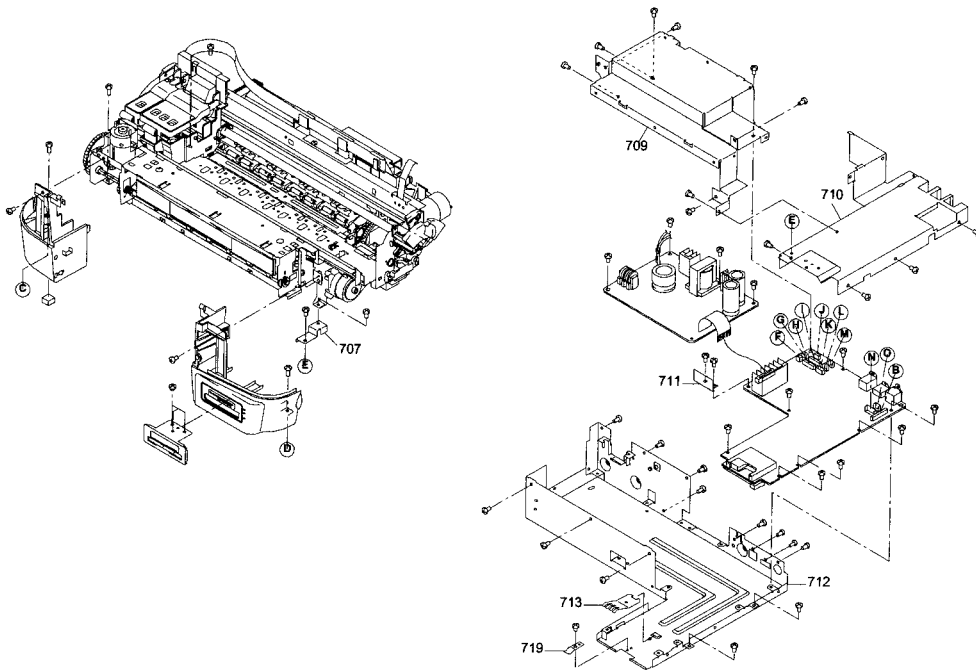
STYLUS PHOTO 925

(Part numbers in brackets are the old numbers for otherwise identical items)

Page No.:7



STYLUS PHOTO 925 No.5



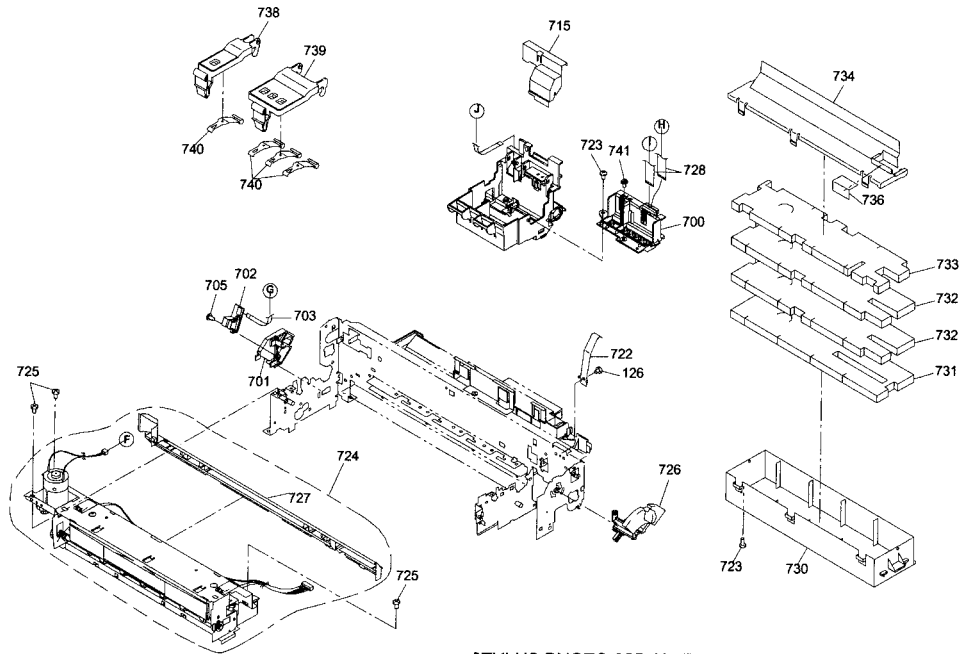
STYLUS PHOTO 925 No.6

EPSON

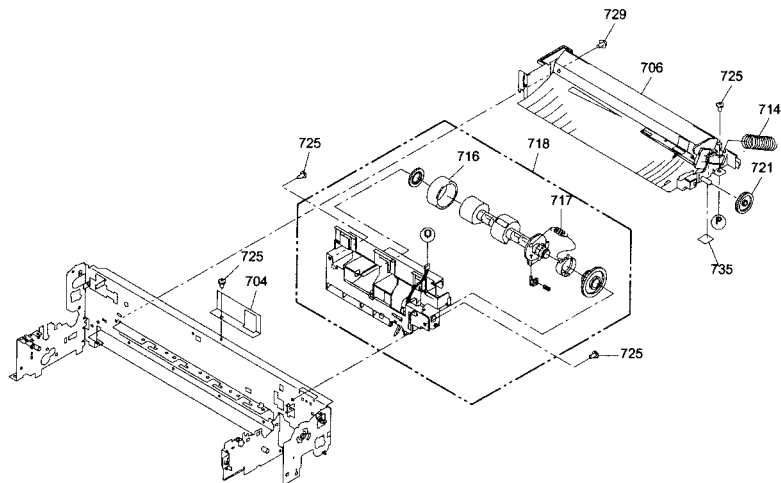
STYLUS PHOTO 925

(Part numbers in brackets are the old numbers for otherwise identical items)

Page No.:8



STYLUS PHOTO 925 No.7



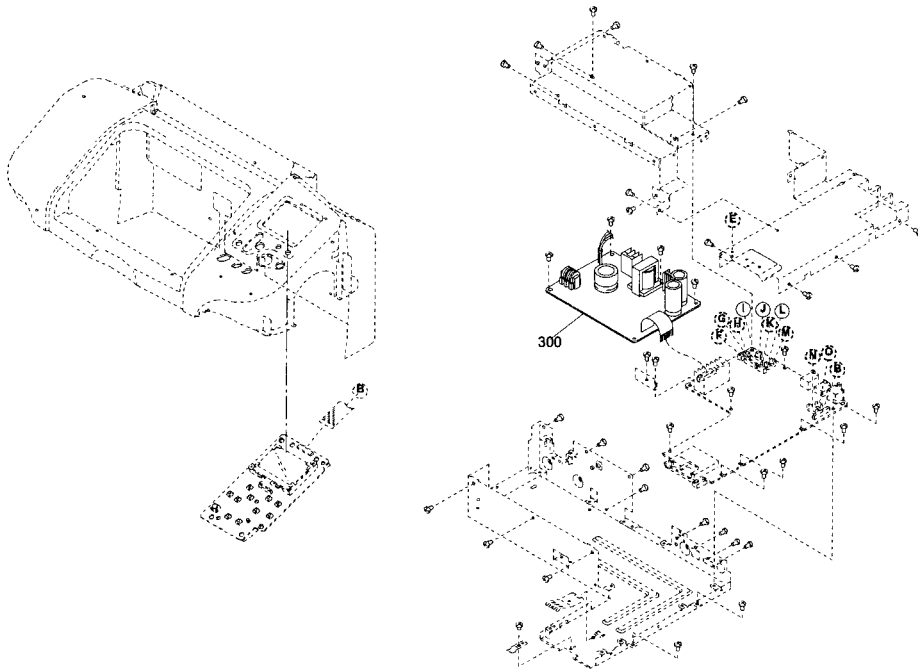
STYLUS PHOTO 925 No.8

EPSON

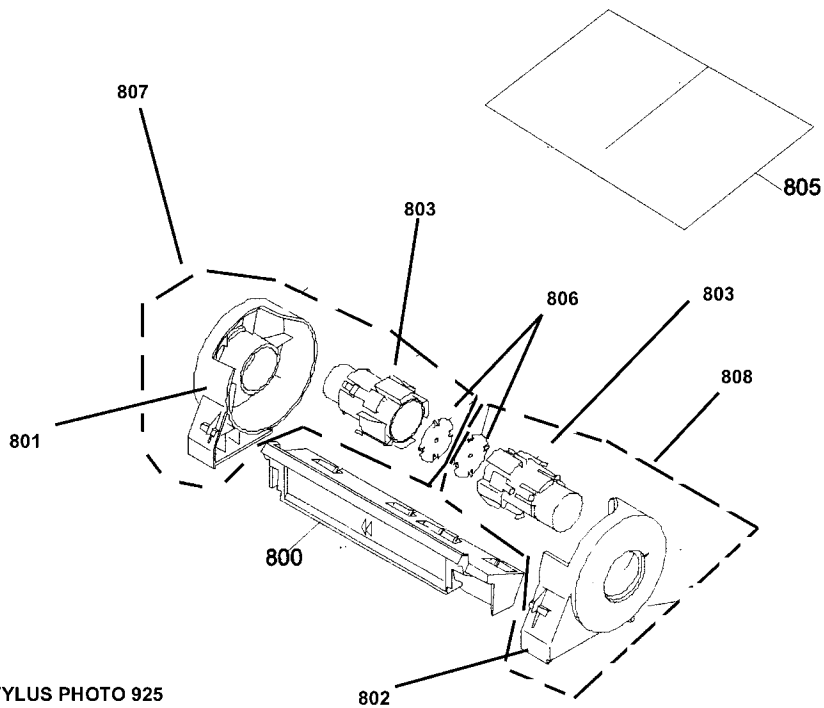
STYLUS PHOTO 925

(Part numbers in brackets are the old numbers for otherwise identical items)

Page No.:9



STYLUS PHOTO 925 No. 9



STYLUS PHOTO 925
FIG. 10

