



Color LaserJet Pro M252

Color LaserJet Pro MFP M274

Color LaserJet Pro MFP M277

Repair manual



M274
M277



M252n



M252dw

www.hp.com/support/colorljM252
www.hp.com/support/colorljM274MFP
www.hp.com/support/colorljMFPM277



For printer theory and problem solving information, see the Troubleshooting Manual.



**HP Color LaserJet Pro M252, HP Color
LaserJet Pro MFP M274 and HP Color
LaserJet Pro MFP M277**

Repair Manual

Copyright and License

© Copyright 2015 HP Development Company, L.P.


Reproduction, adaptation, or translation without prior written permission is prohibited, except as allowed under the copyright laws.

The information contained herein is subject to change without notice.


The only warranties for HP products and services are set forth in the express warranty statements accompanying such products and services. Nothing herein should be construed as constituting an additional warranty. HP shall not be liable for technical or editorial errors or omissions contained herein.


Edition 2, 6/2015

Conventions used in this guide


 **TIP:** Helpful hints or shortcuts.

Reinstallation tip: Reinstallation helpful hints, shortcuts, or considerations.

 **NOTE:** Information that explains a concept or how to complete a task.

 **IMPORTANT:** Information that help the user to avoid potential printer error conditions.

 **CAUTION:** Procedures that the user must follow to avoid losing data or damaging the printer.

 **WARNING!** Procedures that the user must follow to avoid personal injury, catastrophic loss of data, or extensive damage to the printer.

For additional service and support information

HP service personnel, go to the Service Access Work Bench (SAW) at <http://h41302.www4.hp.com/km/saw/home.do>.

Channel partners, go to HP Channel Services Network (CNS) at <https://h30125.www3.hp.com/hpcsn>.

- To access HP PartSurfer information from any mobile device, go to <http://partsurfermobile.hp.com/> or scan the Quick Response (QR) code below.



- Install and configure
- Printer specifications
- Up-to-date control panel message (CPMD) troubleshooting
- Solutions for printer issues and emerging issues
- Remove and replace part instructions and videos
- Service advisories
- Warranty and regulatory information

Table of contents

1 Removal and replacement	1
Related documentation and software	2
Removal and replacement strategy	3
Introduction	3
Considerations during removal and replacement	3
Electrostatic discharge	4
Required tools	4
Fasteners used in this printer	5
Service approach	6
Before performing service	6
Secondary service menu	6
After performing service	6
Post service tests	7
Print-quality test	7
Copy-quality test (M274 and M277 models)	7
Fax-quality test (M277 models)	7
Order parts by authorized service providers	8
Orderable parts	8
Whole unit replacement (WUR) part numbers	8
Supplies part numbers	9
Related documentation and software	9
Removal and replacement procedures	10
Customer self-repair (CSR) A parts and assemblies	10
Removal and replacement: Toner cartridges	11
Introduction	11
Step 1: Remove a toner cartridge	12
Step 2: Unpack a replacement toner cartridge	13
Step 3: Install a toner cartridge	14
Removal and replacement: Priority feed slot tray	17
Introduction	17
Step 1: Remove Tray 2	17
Step 2: Remove the priority feed slot tray	18

Step 3: Unpack a replacement priority feed slot tray	18
Step 4: Install the priority feed slot tray	18
Step 5: Install Tray 2	19
Removal and replacement: Tray 2	20
Introduction	20
Step 1: Remove Tray 2	20
Step 2: Unpack a replacement Tray 2	21
Step 3: Install Tray 2	21
Field replaceable units (FRUs)	22
Removal and replacement: Rollers	22
Removal and replacement: Tray 2 pickup roller and feed roller	23
Removal and replacement: Tray 2 separation roller	27
Removal and replacement: Secondary transfer roller	32
Removal and replacement: External panels, covers, and doors	35
Identification and location (printer base)	36
Removal and replacement: Right cover	39
Removal and replacement: Left cover	47
Removal and replacement: Top cover, M252n models	55
Removal and replacement: Top cover, M252dw models	70
Removal and replacement: Top cover, M274, M277 models	84
Removal and replacement: Duplexer door assembly (duplex models)	109
Removal and replacement: Rear cover (simplex models)	115
Removal and replacement: Rear door and rear door assembly (simplex models)	118
Removal and replacement: Rear bottom cover (simplex models)	122
Removal and replacement: Touchscreen control panel (M252dw models)	125
Removal and replacement: Touchscreen control panel (M274, M277 models)	142
Removal and replacement: Front-door assembly	149
Removal and replacement: Rear door assembly (duplex models)	153
Removal and replacement: Scanner (M274, M277 only)	158
Removal and replacement: Scanner	158
Removal and replacement: Internal parts and assemblies	173
Removal and replacement: Priority feed slot assembly	174
Removal and replacement: Wireless PCA (M252dw models)	180
Removal and replacement: Wireless PCA (M277dw models)	189
Removal and replacement: Fax PCA (fax models)	198
Removal and replacement: Formatter PCA (M252 models)	207
Removal and replacement: Formatter PCA (M274, M277 models)	218
Removal and replacement: Engine controller unit (M252 models)	229

Removal and replacement: Engine controller unit (M274, M277 models)	238
Removal and replacement: Intermediate transfer belt (ITB)	252
Removal and replacement: Pickup guide assembly	271
Removal and replacement: Registration density sensor assembly	288
Removal and replacement: Duplex drive assembly (duplex models)	309
Removal and replacement: Output sensor assembly (duplex models)	341
Removal and replacement: Power switch assembly	370
Removal and replacement: Low-voltage power supply (LVPS)	377
Removal and replacement: Fuser	388
Removal and replacement: Main motor	429
Removal and replacement: Fuser motor	438
Removal and replacement: Main fan	447
2 Parts and diagrams	459
Related documentation and software	460
Assembly locations	461
Introduction	461
M252 assembly locations	461
M274, M277 assembly locations	462
Parts and diagrams: Document feeder and scanner whole units	464
Parts and diagrams: Covers and control panels	466
M252 covers and control panels	466
M274, M277 covers and control panel	468
Parts and diagrams: Internal components	470
Internal components (1 of 3)	470
Internal components (2 of 3)	472
Internal components (3 of 3)	474
Alphabetical parts list	476
Numerical parts list	479
Index	483

List of tables

Table 1-1	Supplies part numbers	9
Table 2-1	M252 assembly locations	461
Table 2-2	M274, M277 assembly locations	462
Table 2-3	Document feeder and scanner whole units (M274, M277 models only)	465
Table 2-4	M252 covers and control panels	467
Table 2-5	M274, M277 covers and control panel	469
Table 2-6	Internal components (1 of 3)	471
Table 2-7	Internal components (2 of 3)	473
Table 2-8	Internal components (3 of 3)	475

List of figures

Figure 1-1	Screwdrivers	4
Figure 1-2	Remove Tray 2	17
Figure 1-3	Remove the priority feed slot tray	18
Figure 1-4	Recycle and unpack	18
Figure 1-5	Install the priority feed slot tray	19
Figure 1-6	Install Tray 2	19
Figure 1-7	Remove Tray 2	20
Figure 1-8	Recycle and unpack	21
Figure 1-9	Install Tray 2	21
Figure 1-10	Remove Tray 2	24
Figure 1-11	Remove the pickup and feed rollers	24
Figure 1-12	Recycle and unpack	25
Figure 1-13	Install the pickup and feed rollers	25
Figure 1-14	Install Tray 2	26
Figure 1-15	Remove Tray 2	28
Figure 1-16	Remove the separation roller (1 of 2)	28
Figure 1-17	Remove the separation roller (2 of 2)	29
Figure 1-18	Recycle and unpack	29
Figure 1-19	Remove the separation roller (1 of 2)	30
Figure 1-20	Install the separation roller (2 of 2)	30
Figure 1-21	Install Tray 2	31
Figure 1-22	Remove the secondary transfer roller	33
Figure 1-23	Recycle and unpack	33
Figure 1-24	Install the secondary transfer roller	34
Figure 1-25	Front view, M252	36
Figure 1-26	Back view, M252	36
Figure 1-27	Front view: M274, M277	37
Figure 1-28	Back view: M274, M277	38
Figure 1-29	Remove Tray 2	40
Figure 1-30	Open the front door and rear door or duplexer door (1 of 2)	40
Figure 1-31	Open the front door and rear door or duplexer door (2 of 2)	41
Figure 1-32	Remove the right cover (1 of 3)	41

Figure 1-33	Remove the right cover (2 of 3)	42
Figure 1-34	Remove the right cover (3 of 3)	42
Figure 1-35	Recycle and unpack	43
Figure 1-36	Install the right cover (1 of 3)	43
Figure 1-37	Install the right cover (2 of 3)	44
Figure 1-38	Install the right cover (3 of 3)	44
Figure 1-39	Close the front door and rear door or duplexer door (1 of 2)	45
Figure 1-40	Close the front door and rear door or duplexer door (2 of 2)	45
Figure 1-41	Install Tray 2	46
Figure 1-42	Remove Tray 2	48
Figure 1-43	Open the front door and rear door or duplexer door (1 of 2)	48
Figure 1-44	Open the front door and rear door or duplexer door (2 of 2)	49
Figure 1-45	Remove the left cover (1 of 3)	49
Figure 1-46	Remove the left cover (2 of 3)	50
Figure 1-47	Remove the left cover (3 of 3)	50
Figure 1-48	Recycle and unpack	51
Figure 1-49	Install the left cover (1 of 3)	51
Figure 1-50	Install the left cover (2 of 3)	52
Figure 1-51	Install the left cover (3 of 3)	52
Figure 1-52	Close the front door and rear door or duplexer door (1 of 2)	53
Figure 1-53	Close the front door and rear door or duplexer door (2 of 2)	53
Figure 1-54	Install Tray 2	54
Figure 1-55	Remove Tray 2	56
Figure 1-56	Open the front door and rear door or duplexer door (1 of 2)	56
Figure 1-57	Open the front door and rear door or duplexer door (2 of 2)	57
Figure 1-58	Remove the right cover (1 of 3)	57
Figure 1-59	Remove the right cover (2 of 3)	58
Figure 1-60	Remove the right cover (3 of 3)	58
Figure 1-61	Remove the left cover (1 of 3)	59
Figure 1-62	Remove the left cover (2 of 3)	59
Figure 1-63	Remove the left cover (3 of 3)	60
Figure 1-64	Remove the simplex model rear cover	60
Figure 1-65	Remove the M252n top cover (1 of 4)	61
Figure 1-66	Remove the M252n top cover (2 of 4)	61
Figure 1-67	Remove the M252n top cover (3 of 4)	62
Figure 1-68	Remove the M252n top cover (4 of 4)	62
Figure 1-69	Recycle and unpack	63
Figure 1-70	Install the M252n top cover (1 of 4)	63
Figure 1-71	Install the M252n top cover (2 of 4)	64
Figure 1-72	Install the M252n top cover (3 of 4)	64
Figure 1-73	Install the M252n top cover (4 of 4)	65

Figure 1-74	Install the left cover (1 of 3)	65
Figure 1-75	Install the left cover (2 of 3)	66
Figure 1-76	Install the left cover (3 of 3)	66
Figure 1-77	Install the right cover (1 of 3)	67
Figure 1-78	Install the right cover (2 of 3)	67
Figure 1-79	Install the right cover (3 of 3)	68
Figure 1-80	Close the front door and rear door or duplexer door (1 of 2)	68
Figure 1-81	Close the front door and rear door or duplexer door (2 of 2)	69
Figure 1-82	Install Tray 2	69
Figure 1-83	Remove Tray 2	71
Figure 1-84	Open the front door and rear door or duplexer door (1 of 2)	71
Figure 1-85	Open the front door and rear door or duplexer door (2 of 2)	72
Figure 1-86	Remove the right cover (1 of 3)	72
Figure 1-87	Remove the right cover (2 of 3)	73
Figure 1-88	Remove the right cover (3 of 3)	73
Figure 1-89	Remove the left cover (1 of 3)	74
Figure 1-90	Remove the left cover (2 of 3)	74
Figure 1-91	Remove the left cover (3 of 3)	75
Figure 1-92	Remove the M252dw top cover (1 of 3)	75
Figure 1-93	Remove the M252dw top cover (2 of 3)	76
Figure 1-94	Remove the M252dw top cover (3 of 3)	76
Figure 1-95	Recycle and unpack	77
Figure 1-96	Install the M252dw top cover (1 of 3)	77
Figure 1-97	Install the M252dw top cover (2 of 3)	78
Figure 1-98	Install the M252dw top cover (3 of 3)	78
Figure 1-99	Install the left cover (1 of 3)	79
Figure 1-100	Install the left cover (2 of 3)	79
Figure 1-101	Install the left cover (3 of 3)	80
Figure 1-102	Install the right cover (1 of 3)	80
Figure 1-103	Install the right cover (2 of 3)	81
Figure 1-104	Install the right cover (3 of 3)	81
Figure 1-105	Close the front door and rear door or duplexer door (1 of 2)	82
Figure 1-106	Close the front door and rear door or duplexer door (2 of 2)	82
Figure 1-107	Install Tray 2	83
Figure 1-108	Remove Tray 2	85
Figure 1-109	Open the front door and rear door or duplexer door (1 of 2)	85
Figure 1-110	Open the front door and rear door or duplexer door (2 of 2)	86
Figure 1-111	Remove the right cover (1 of 3)	86
Figure 1-112	Remove the right cover (2 of 3)	87
Figure 1-113	Remove the right cover (3 of 3)	87
Figure 1-114	Remove the left cover (1 of 3)	88

Figure 1-115	Remove the left cover (2 of 3)	88
Figure 1-116	Remove the left cover (3 of 3)	89
Figure 1-117	Remove the M274, M277 scanner (1 of 4)	89
Figure 1-118	Remove the M274, M277 scanner (2 of 4)	90
Figure 1-119	Remove the M274, M277 scanner (3 of 4)	90
Figure 1-120	Remove the M274, M277 scanner (4 of 4)	91
Figure 1-121	Remove the M274, M277 top cover (1 of 10)	91
Figure 1-122	Remove the M274, M277 top cover (2 of 10)	92
Figure 1-123	Remove the M274, M277 top cover (3 of 10)	92
Figure 1-124	Remove the M274, M277 top cover (4 of 10)	93
Figure 1-125	Remove the M274, M277 top cover (5 of 10)	93
Figure 1-126	Remove the M274, M277 top cover (6 of 10)	94
Figure 1-127	Remove the M274, M277 top cover (7 of 10)	94
Figure 1-128	Remove the M274, M277 top cover (8 of 10)	95
Figure 1-129	Remove the M274, M277 top cover (9 of 10)	95
Figure 1-130	Remove the M274, M277 top cover (10 of 10)	96
Figure 1-131	Recycle and unpack	96
Figure 1-132	Install the M274, M277 top cover (1 of 10)	97
Figure 1-133	Install the M274, M277 top cover (2 of 10)	97
Figure 1-134	Install the M274, M277 top cover (3 of 10)	98
Figure 1-135	Install the M274, M277 top cover (4 of 10)	98
Figure 1-136	Install the M274, M277 top cover (5 of 10)	99
Figure 1-137	Install the M274, M277 top cover (6 of 10)	99
Figure 1-138	Install the M274, M277 top cover (7 of 10)	100
Figure 1-139	Install the M274, M277 top cover (8 of 10)	100
Figure 1-140	Install the M274, M277 top cover (9 of 10)	101
Figure 1-141	Install the M274, M277 top cover (10 of 10)	101
Figure 1-142	Install the M274, M277 scanner (1 of 4)	102
Figure 1-143	Install the M274, M277 scanner (2 of 4)	102
Figure 1-144	Install the M274, M277 scanner (3 of 4)	103
Figure 1-145	Install the M274, M277 scanner (4 of 4)	103
Figure 1-146	Install the left cover (1 of 3)	104
Figure 1-147	Install the left cover (2 of 3)	104
Figure 1-148	Install the left cover (3 of 3)	105
Figure 1-149	Install the right cover (1 of 3)	105
Figure 1-150	Install the right cover (2 of 3)	106
Figure 1-151	Install the right cover (3 of 3)	106
Figure 1-152	Close the front door and rear door or duplexer door (1 of 2)	107
Figure 1-153	Close the front door and rear door or duplexer door (2 of 2)	107
Figure 1-154	Install Tray 2	108
Figure 1-155	Open the duplexer door	110

Figure 1-156	Remove the duplexer door (1 of 3)	110
Figure 1-157	Remove the duplexer door (2 of 3)	111
Figure 1-158	Remove the duplexer door (3 of 3)	111
Figure 1-159	Recycle and unpack	112
Figure 1-160	Install the duplexer door (1 of 3)	112
Figure 1-161	Install the duplexer door (2 of 3)	113
Figure 1-162	Install the duplexer door (3 of 3)	113
Figure 1-163	Close the duplexer door	114
Figure 1-164	Remove the simplex model rear cover	116
Figure 1-165	Recycle and unpack	116
Figure 1-166	Install the simplex model rear cover	117
Figure 1-167	Remove the simplex model rear bottom cover	119
Figure 1-168	Remove the simplex model rear door	119
Figure 1-169	Recycle and unpack	120
Figure 1-170	Install the rear door assembly (1 of 2)	120
Figure 1-171	Install the rear door assembly (2 of 2)	121
Figure 1-172	Install the simplex model rear bottom cover	121
Figure 1-173	Remove the simplex model rear bottom cover	123
Figure 1-174	Recycle and unpack	123
Figure 1-175	Install the simplex model rear bottom cover	124
Figure 1-176	Remove Tray 2	126
Figure 1-177	Open the front door and rear door or duplexer door (1 of 2)	126
Figure 1-178	Open the front door and rear door or duplexer door (2 of 2)	127
Figure 1-179	Remove the right cover (1 of 3)	127
Figure 1-180	Remove the right cover (2 of 3)	128
Figure 1-181	Remove the right cover (3 of 3)	128
Figure 1-182	Remove the left cover (1 of 3)	129
Figure 1-183	Remove the left cover (2 of 3)	129
Figure 1-184	Remove the left cover (3 of 3)	130
Figure 1-185	Remove the M252dw top cover (1 of 3)	130
Figure 1-186	Remove the M252dw top cover (2 of 3)	131
Figure 1-187	Remove the M252dw top cover (3 of 3)	131
Figure 1-188	Remove the M252dw control panel (1 of 3)	132
Figure 1-189	Remove the M252dw control panel (2 of 3)	132
Figure 1-190	Remove the M252dw control panel (3 of 3)	133
Figure 1-191	Recycle and unpack	133
Figure 1-192	Install the M252dw control panel (1 of 3)	134
Figure 1-193	Install the M252dw control panel (2 of 3)	134
Figure 1-194	Install the M252dw control panel (3 of 3)	135
Figure 1-195	Install the M252dw top cover (1 of 3)	135
Figure 1-196	Install the M252dw top cover (2 of 3)	136

Figure 1-197	Install the M252dw top cover (3 of 3)	136
Figure 1-198	Install the left cover (1 of 3)	137
Figure 1-199	Install the left cover (2 of 3)	137
Figure 1-200	Install the left cover (3 of 3)	138
Figure 1-201	Install the right cover (1 of 3)	138
Figure 1-202	Install the right cover (2 of 3)	139
Figure 1-203	Install the right cover (3 of 3)	139
Figure 1-204	Close the front door and rear door or duplexer door (1 of 2)	140
Figure 1-205	Close the front door and rear door or duplexer door (2 of 2)	140
Figure 1-206	Install Tray 2	141
Figure 1-207	Remove the M274, M277 control panel (1 of 6)	143
Figure 1-208	Remove the M274, M277 control panel (2 of 6)	143
Figure 1-209	Remove the M274, M277 control panel (3 of 6)	144
Figure 1-210	Remove the M274, M277 control panel (4 of 6)	144
Figure 1-211	Remove the M274, M277 control panel (5 of 6)	145
Figure 1-212	Remove the M274, M277 control panel (6 of 6)	145
Figure 1-213	Recycle and unpack	146
Figure 1-214	Install the M274, M277 control panel (1 of 4)	146
Figure 1-215	Install the M274, M277 control panel (2 of 4)	147
Figure 1-216	Install the M274, M277 control panel (3 of 4)	147
Figure 1-217	Install the M274, M277 control panel (4 of 4)	148
Figure 1-218	Remove Tray 2	150
Figure 1-219	Remove the front door (1 of 2)	150
Figure 1-220	Remove the front door (2 of 2)	151
Figure 1-221	Recycle and unpack	151
Figure 1-222	Install the front door	152
Figure 1-223	Install Tray 2	152
Figure 1-224	Open the duplexer door	154
Figure 1-225	Remove the rear door assembly (1 of 2)	154
Figure 1-226	Remove the rear door assembly (2 of 2)	155
Figure 1-227	Recycle and unpack	155
Figure 1-228	Install the rear door assembly (1 of 2)	156
Figure 1-229	Install the rear door assembly (2 of 2)	156
Figure 1-230	Close the duplexer door	157
Figure 1-231	Remove Tray 2	159
Figure 1-232	Open the front door and rear door or duplexer door (1 of 2)	159
Figure 1-233	Open the front door and rear door or duplexer door (2 of 2)	160
Figure 1-234	Remove the right cover (1 of 3)	160
Figure 1-235	Remove the right cover (2 of 3)	161
Figure 1-236	Remove the right cover (3 of 3)	161
Figure 1-237	Remove the left cover (1 of 3)	162

Figure 1-238	Remove the left cover (2 of 3)	162
Figure 1-239	Remove the left cover (3 of 3)	163
Figure 1-240	Remove the M274, M277 scanner (1 of 4)	163
Figure 1-241	Remove the M274, M277 scanner (2 of 4)	164
Figure 1-242	Remove the M274, M277 scanner (3 of 4)	164
Figure 1-243	Remove the M274, M277 scanner (4 of 4)	165
Figure 1-244	Recycle and unpack	165
Figure 1-245	Install the M274, M277 scanner (1 of 4)	166
Figure 1-246	Install the M274, M277 scanner (2 of 4)	166
Figure 1-247	Install the M274, M277 scanner (3 of 4)	167
Figure 1-248	Install the M274, M277 scanner (4 of 4)	167
Figure 1-249	Install the left cover (1 of 3)	168
Figure 1-250	Install the left cover (2 of 3)	168
Figure 1-251	Install the left cover (3 of 3)	169
Figure 1-252	Install the right cover (1 of 3)	169
Figure 1-253	Install the right cover (2 of 3)	170
Figure 1-254	Install the right cover (3 of 3)	170
Figure 1-255	Close the front door and rear door or duplexer door (1 of 2)	171
Figure 1-256	Close the front door and rear door or duplexer door (2 of 2)	171
Figure 1-257	Install Tray 2	172
Figure 1-258	Remove Tray 2	175
Figure 1-259	Remove the priority feed slot tray	175
Figure 1-260	Remove the priority feed slot assembly (1 of 2)	176
Figure 1-261	Remove the priority feed slot assembly (2 of 2)	176
Figure 1-262	Recycle and unpack	177
Figure 1-263	Install the priority feed slot assembly (1 of 2)	177
Figure 1-264	Install the priority feed slot assembly (2 of 2)	178
Figure 1-265	Install the priority feed slot tray	178
Figure 1-266	Install Tray 2	179
Figure 1-267	Remove Tray 2	181
Figure 1-268	Open the front door and rear door or duplexer door (1 of 2)	181
Figure 1-269	Open the front door and rear door or duplexer door (2 of 2)	182
Figure 1-270	Remove the left cover (1 of 3)	182
Figure 1-271	Remove the left cover (2 of 3)	183
Figure 1-272	Remove the left cover (3 of 3)	183
Figure 1-273	Remove the wireless PCA	184
Figure 1-274	Recycle and unpack	184
Figure 1-275	Install the wireless PCA	185
Figure 1-276	Install the left cover (1 of 3)	185
Figure 1-277	Install the left cover (2 of 3)	186
Figure 1-278	Install the left cover (3 of 3)	186

Figure 1-279	Close the front door and rear door or duplexer door (1 of 2)	187
Figure 1-280	Close the front door and rear door or duplexer door (2 of 2)	187
Figure 1-281	Install Tray 2	188
Figure 1-282	Remove Tray 2	190
Figure 1-283	Open the front door and rear door or duplexer door (1 of 2)	190
Figure 1-284	Open the front door and rear door or duplexer door (2 of 2)	191
Figure 1-285	Remove the left cover (1 of 3)	191
Figure 1-286	Remove the left cover (2 of 3)	192
Figure 1-287	Remove the left cover (3 of 3)	192
Figure 1-288	Remove the wireless PCA	193
Figure 1-289	Recycle and unpack	193
Figure 1-290	Install the wireless PCA	194
Figure 1-291	Install the left cover (1 of 3)	194
Figure 1-292	Install the left cover (2 of 3)	195
Figure 1-293	Install the left cover (3 of 3)	195
Figure 1-294	Close the front door and rear door or duplexer door (1 of 2)	196
Figure 1-295	Close the front door and rear door or duplexer door (2 of 2)	196
Figure 1-296	Install Tray 2	197
Figure 1-297	Remove Tray 2	199
Figure 1-298	Open the front door and rear door or duplexer door (1 of 2)	199
Figure 1-299	Open the front door and rear door or duplexer door (2 of 2)	200
Figure 1-300	Remove the left cover (1 of 3)	200
Figure 1-301	Remove the left cover (2 of 3)	201
Figure 1-302	Remove the left cover (3 of 3)	201
Figure 1-303	Remove the M277 fax PCA	202
Figure 1-304	Recycle and unpack	202
Figure 1-305	Install the M277 fax PCA	203
Figure 1-306	Install the left cover (1 of 3)	203
Figure 1-307	Install the left cover (2 of 3)	204
Figure 1-308	Install the left cover (3 of 3)	204
Figure 1-309	Close the front door and rear door or duplexer door (1 of 2)	205
Figure 1-310	Close the front door and rear door or duplexer door (2 of 2)	205
Figure 1-311	Install Tray 2	206
Figure 1-312	Remove Tray 2	208
Figure 1-313	Open the front door and rear door or duplexer door (1 of 2)	208
Figure 1-314	Open the front door and rear door or duplexer door (2 of 2)	209
Figure 1-315	Remove the left cover (1 of 3)	209
Figure 1-316	Remove the left cover (2 of 3)	210
Figure 1-317	Remove the left cover (3 of 3)	210
Figure 1-318	Remove the wireless PCA	211
Figure 1-319	Remove the formatter PCA (1 of 2)	211

Figure 1-320	Remove the formatter PCA (2 of 2)	212
Figure 1-321	Recycle and unpack	212
Figure 1-322	Install the formatter PCA (1 of 2)	213
Figure 1-323	Install the formatter PCA (2 of 2)	213
Figure 1-324	Install the wireless PCA	214
Figure 1-325	Install the left cover (1 of 3)	214
Figure 1-326	Install the left cover (2 of 3)	215
Figure 1-327	Install the left cover (3 of 3)	215
Figure 1-328	Close the front door and rear door or duplexer door (1 of 2)	216
Figure 1-329	Close the front door and rear door or duplexer door (2 of 2)	216
Figure 1-330	Install Tray 2	217
Figure 1-331	Remove Tray 2	219
Figure 1-332	Open the front door and rear door or duplexer door (1 of 2)	219
Figure 1-333	Open the front door and rear door or duplexer door (2 of 2)	220
Figure 1-334	Remove the left cover (1 of 3)	220
Figure 1-335	Remove the left cover (2 of 3)	221
Figure 1-336	Remove the left cover (3 of 3)	221
Figure 1-337	Remove the wireless PCA	222
Figure 1-338	Remove the formatter PCA (1 of 2)	222
Figure 1-339	Remove the formatter PCA (2 of 2)	223
Figure 1-340	Recycle and unpack	223
Figure 1-341	Install the formatter PCA (1 of 2)	224
Figure 1-342	Install the formatter PCA (2 of 2)	224
Figure 1-343	Install the wireless PCA	225
Figure 1-344	Install the left cover (1 of 3)	225
Figure 1-345	Install the left cover (2 of 3)	226
Figure 1-346	Install the left cover (3 of 3)	226
Figure 1-347	Close the front door and rear door or duplexer door (1 of 2)	227
Figure 1-348	Close the front door and rear door or duplexer door (2 of 2)	227
Figure 1-349	Install Tray 2	228
Figure 1-350	Remove Tray 2	230
Figure 1-351	Open the front door and rear door or duplexer door (1 of 2)	230
Figure 1-352	Open the front door and rear door or duplexer door (2 of 2)	231
Figure 1-353	Remove the left cover (1 of 3)	231
Figure 1-354	Remove the left cover (2 of 3)	232
Figure 1-355	Remove the left cover (3 of 3)	232
Figure 1-356	Remove the engine controller unit	233
Figure 1-357	Recycle and unpack	233
Figure 1-358	Install the M252 engine controller unit	234
Figure 1-359	Install the left cover (1 of 3)	234
Figure 1-360	Install the left cover (2 of 3)	235

Figure 1-361	Install the left cover (3 of 3)	235
Figure 1-362	Close the front door and rear door or duplexer door (1 of 2)	236
Figure 1-363	Close the front door and rear door or duplexer door (2 of 2)	236
Figure 1-364	Install Tray 2	237
Figure 1-365	Remove Tray 2	239
Figure 1-366	Open the front door and rear door or duplexer door (1 of 2)	240
Figure 1-367	Open the front door and rear door or duplexer door (2 of 2)	240
Figure 1-368	Remove the left cover (1 of 3)	241
Figure 1-369	Remove the left cover (2 of 3)	241
Figure 1-370	Remove the left cover (3 of 3)	242
Figure 1-371	Remove the wireless PCA	242
Figure 1-372	Remove the formatter PCA (1 of 2)	243
Figure 1-373	Remove the formatter PCA (2 of 2)	243
Figure 1-374	Remove the M277 fax PCA	244
Figure 1-375	Remove the M274, M277 engine controller unit (1 of 2)	244
Figure 1-376	Remove the M274, M277 engine controller unit (2 of 2)	245
Figure 1-377	Recycle and unpack	245
Figure 1-378	Install the M274, M277 engine controller unit (1 of 2)	246
Figure 1-379	Install the M274, M277 engine controller unit (2 of 2)	246
Figure 1-380	Install the M277 fax PCA	247
Figure 1-381	Install the formatter PCA (1 of 2)	247
Figure 1-382	Install the formatter PCA (2 of 2)	248
Figure 1-383	Install the wireless PCA	248
Figure 1-384	Install the left cover (1 of 3)	249
Figure 1-385	Install the left cover (2 of 3)	249
Figure 1-386	Install the left cover (3 of 3)	250
Figure 1-387	Close the front door and rear door or duplexer door (1 of 2)	250
Figure 1-388	Close the front door and rear door or duplexer door (2 of 2)	251
Figure 1-389	Install Tray 2	251
Figure 1-390	Remove Tray 2	253
Figure 1-391	Remove the priority feed slot tray	253
Figure 1-392	Open the front door and rear door or duplexer door (1 of 2)	254
Figure 1-393	Open the front door and rear door or duplexer door (2 of 2)	254
Figure 1-394	Remove the duplexer door (1 of 3)	255
Figure 1-395	Remove the duplexer door (2 of 3)	255
Figure 1-396	Remove the duplexer door (3 of 3)	256
Figure 1-397	Remove the rear door assembly (1 of 2)	256
Figure 1-398	Remove the rear door assembly (2 of 2)	257
Figure 1-399	Remove the ITB (1 of 8)	257
Figure 1-400	Remove the ITB (2 of 8)	258
Figure 1-401	Remove the ITB (3 of 8)	258

Figure 1-402	Remove the ITB (4 of 8)	259
Figure 1-403	Remove the ITB (5 of 8)	259
Figure 1-404	Remove the ITB (6 of 8)	260
Figure 1-405	Remove the ITB (7 of 8)	260
Figure 1-406	Remove the ITB (8 of 8)	261
Figure 1-407	Recycle and unpack	261
Figure 1-408	Install the ITB (1 of 8)	262
Figure 1-409	Install the ITB (2 of 8)	262
Figure 1-410	Install the ITB (3 of 8)	263
Figure 1-411	Install the ITB (4 of 8)	263
Figure 1-412	Install the ITB (5 of 8)	264
Figure 1-413	Install the ITB (6 of 8)	264
Figure 1-414	Install the ITB (7 of 8)	265
Figure 1-415	Install the ITB (8 of 8)	265
Figure 1-416	Install the rear door assembly (1 of 2)	266
Figure 1-417	Install the rear door assembly (2 of 2)	266
Figure 1-418	Install the duplexer door (1 of 3)	267
Figure 1-419	Install the duplexer door (2 of 3)	267
Figure 1-420	Install the duplexer door (3 of 3)	268
Figure 1-421	Close the front door and rear door or duplexer door (1 of 2)	268
Figure 1-422	Close the front door and rear door or duplexer door (2 of 2)	269
Figure 1-423	Install the priority feed slot tray	269
Figure 1-424	Install Tray 2	270
Figure 1-425	Remove Tray 2	272
Figure 1-426	Remove the priority feed slot tray	272
Figure 1-427	Open the front door and rear door or duplexer door (1 of 2)	273
Figure 1-428	Open the front door and rear door or duplexer door (2 of 2)	273
Figure 1-429	Remove the duplexer door (1 of 3)	274
Figure 1-430	Remove the duplexer door (2 of 3)	274
Figure 1-431	Remove the duplexer door (3 of 3)	275
Figure 1-432	Remove the rear door assembly (1 of 2)	275
Figure 1-433	Remove the rear door assembly (2 of 2)	276
Figure 1-434	Remove the pickup guide (1 of 6)	276
Figure 1-435	Remove the pickup guide (2 of 6)	277
Figure 1-436	Remove the pickup guide (3 of 6)	277
Figure 1-437	Remove the pickup guide (4 of 6)	278
Figure 1-438	Remove the pickup guide (5 of 6)	278
Figure 1-439	Remove the pickup guide (6 of 6)	279
Figure 1-440	Recycle and unpack	279
Figure 1-441	Install the pickup guide (1 of 6)	280
Figure 1-442	Remove the pickup guide (2 of 6)	280

Figure 1-443	Install the pickup guide (3 of 6)	281
Figure 1-444	Install the pickup guide (4 of 6)	281
Figure 1-445	Install the pickup guide (5 of 6)	282
Figure 1-446	Install the pickup guide (6 of 6)	282
Figure 1-447	Install the rear door assembly (1 of 2)	283
Figure 1-448	Install the rear door assembly (2 of 2)	283
Figure 1-449	Install the duplexer door (1 of 3)	284
Figure 1-450	Install the duplexer door (2 of 3)	284
Figure 1-451	Install the duplexer door (3 of 3)	285
Figure 1-452	Close the front door and rear door or duplexer door (1 of 2)	285
Figure 1-453	Close the front door and rear door or duplexer door (2 of 2)	286
Figure 1-454	Install the priority feed slot tray	286
Figure 1-455	Install Tray 2	287
Figure 1-456	Remove Tray 2	289
Figure 1-457	Remove the priority feed slot tray	289
Figure 1-458	Open the front door and rear door or duplexer door (1 of 2)	290
Figure 1-459	Open the front door and rear door or duplexer door (2 of 2)	290
Figure 1-460	Remove the duplexer door (1 of 3)	291
Figure 1-461	Remove the duplexer door (2 of 3)	291
Figure 1-462	Remove the duplexer door (3 of 3)	292
Figure 1-463	Remove the rear door assembly (1 of 2)	292
Figure 1-464	Remove the rear door assembly (2 of 2)	293
Figure 1-465	Remove the ITB (1 of 8)	293
Figure 1-466	Remove the ITB (2 of 8)	294
Figure 1-467	Remove the ITB (3 of 8)	294
Figure 1-468	Remove the ITB (4 of 8)	295
Figure 1-469	Remove the ITB (5 of 8)	295
Figure 1-470	Remove the ITB (6 of 8)	296
Figure 1-471	Remove the ITB (7 of 8)	296
Figure 1-472	Remove the ITB (8 of 8)	297
Figure 1-473	Remove the registration density sensor (1 of 2)	297
Figure 1-474	Remove the registration density sensor (2 of 2)	298
Figure 1-475	Recycle and unpack	298
Figure 1-476	Install the registration density sensor (1 of 2)	299
Figure 1-477	Install the registration density sensor (2 of 2)	299
Figure 1-478	Install the ITB (1 of 8)	300
Figure 1-479	Install the ITB (2 of 8)	300
Figure 1-480	Install the ITB (3 of 8)	301
Figure 1-481	Install the ITB (4 of 8)	301
Figure 1-482	Install the ITB (5 of 8)	302
Figure 1-483	Install the ITB (6 of 8)	302

Figure 1-484	Install the ITB (7 of 8)	303
Figure 1-485	Install the ITB (8 of 8)	303
Figure 1-486	Install the rear door assembly (1 of 2)	304
Figure 1-487	Install the rear door assembly (2 of 2)	304
Figure 1-488	Install the duplexer door (1 of 3)	305
Figure 1-489	Install the duplexer door (2 of 3)	305
Figure 1-490	Install the duplexer door (3 of 3)	306
Figure 1-491	Close the front door and rear door or duplexer door (1 of 2)	306
Figure 1-492	Close the front door and rear door or duplexer door (2 of 2)	307
Figure 1-493	Install the priority feed slot tray	307
Figure 1-494	Install Tray 2	308
Figure 1-495	Remove Tray 2	310
Figure 1-496	Open the front door and rear door or duplexer door (1 of 2)	310
Figure 1-497	Open the front door and rear door or duplexer door (2 of 2)	311
Figure 1-498	Remove the right cover (1 of 3)	311
Figure 1-499	Remove the right cover (2 of 3)	312
Figure 1-500	Remove the right cover (3 of 3)	312
Figure 1-501	Remove the left cover (1 of 3)	313
Figure 1-502	Remove the left cover (2 of 3)	313
Figure 1-503	Remove the left cover (3 of 3)	314
Figure 1-504	Remove the M274, M277 scanner (1 of 4)	314
Figure 1-505	Remove the M274, M277 scanner (2 of 4)	315
Figure 1-506	Remove the M274, M277 scanner (3 of 4)	315
Figure 1-507	Remove the M274, M277 scanner (4 of 4)	316
Figure 1-508	Remove the M252dw top cover (1 of 3)	316
Figure 1-509	Remove the M252dw top cover (2 of 3)	317
Figure 1-510	Remove the M252dw top cover (3 of 3)	317
Figure 1-511	Remove the M274, M277 top cover (1 of 10)	318
Figure 1-512	Remove the M274, M277 top cover (2 of 10)	318
Figure 1-513	Remove the M274, M277 top cover (3 of 10)	319
Figure 1-514	Remove the M274, M277 top cover (4 of 10)	319
Figure 1-515	Remove the M274, M277 top cover (5 of 10)	320
Figure 1-516	Remove the M274, M277 top cover (6 of 10)	320
Figure 1-517	Remove the M274, M277 top cover (7 of 10)	321
Figure 1-518	Remove the M274, M277 top cover (8 of 10)	321
Figure 1-519	Remove the M274, M277 top cover (9 of 10)	322
Figure 1-520	Remove the M274, M277 top cover (10 of 10)	322
Figure 1-521	Remove the duplex drive assembly (1 of 4)	323
Figure 1-522	Remove the duplex drive assembly (2 of 4)	323
Figure 1-523	Remove the duplex drive assembly (3 of 4)	324
Figure 1-524	Remove the duplex drive assembly (4 of 4)	324

Figure 1-525	Recycle and unpack	325
Figure 1-526	Install the duplex drive assembly (1 of 4)	325
Figure 1-527	Install the duplex drive assembly (2 of 4)	326
Figure 1-528	Install the duplex drive assembly (3 of 4)	326
Figure 1-529	Install the duplex drive assembly (4 of 4)	327
Figure 1-530	Install the M252dw top cover (1 of 3)	327
Figure 1-531	Install the M252dw top cover (2 of 3)	328
Figure 1-532	Install the M252dw top cover (3 of 3)	328
Figure 1-533	Install the M274, M277 top cover (1 of 10)	329
Figure 1-534	Install the M274, M277 top cover (2 of 10)	329
Figure 1-535	Install the M274, M277 top cover (3 of 10)	330
Figure 1-536	Install the M274, M277 top cover (4 of 10)	330
Figure 1-537	Install the M274, M277 top cover (5 of 10)	331
Figure 1-538	Install the M274, M277 top cover (6 of 10)	331
Figure 1-539	Install the M274, M277 top cover (7 of 10)	332
Figure 1-540	Install the M274, M277 top cover (8 of 10)	332
Figure 1-541	Install the M274, M277 top cover (9 of 10)	333
Figure 1-542	Install the M274, M277 top cover (10 of 10)	333
Figure 1-543	Install the M274, M277 scanner (1 of 4)	334
Figure 1-544	Install the M274, M277 scanner (2 of 4)	334
Figure 1-545	Install the M274, M277 scanner (3 of 4)	335
Figure 1-546	Install the M274, M277 scanner (4 of 4)	335
Figure 1-547	Install the left cover (1 of 3)	336
Figure 1-548	Install the left cover (2 of 3)	336
Figure 1-549	Install the left cover (3 of 3)	337
Figure 1-550	Install the right cover (1 of 3)	337
Figure 1-551	Install the right cover (2 of 3)	338
Figure 1-552	Install the right cover (3 of 3)	338
Figure 1-553	Close the front door and rear door or duplexer door (1 of 2)	339
Figure 1-554	Close the front door and rear door or duplexer door (2 of 2)	339
Figure 1-555	Install Tray 2	340
Figure 1-556	Remove Tray 2	342
Figure 1-557	Open the front door and rear door or duplexer door (1 of 2)	342
Figure 1-558	Open the front door and rear door or duplexer door (2 of 2)	343
Figure 1-559	Remove the right cover (1 of 3)	343
Figure 1-560	Remove the right cover (2 of 3)	344
Figure 1-561	Remove the right cover (3 of 3)	344
Figure 1-562	Remove the left cover (1 of 3)	345
Figure 1-563	Remove the left cover (2 of 3)	345
Figure 1-564	Remove the left cover (3 of 3)	346
Figure 1-565	Remove the M274, M277 scanner (1 of 4)	346

Figure 1-566	Remove the M274, M277 scanner (2 of 4)	347
Figure 1-567	Remove the M274, M277 scanner (3 of 4)	347
Figure 1-568	Remove the M274, M277 scanner (4 of 4)	348
Figure 1-569	Remove the M252dw top cover (1 of 3)	348
Figure 1-570	Remove the M252dw top cover (2 of 3)	349
Figure 1-571	Remove the M252dw top cover (3 of 3)	349
Figure 1-572	Remove the M274, M277 top cover (1 of 10)	350
Figure 1-573	Remove the M274, M277 top cover (2 of 10)	350
Figure 1-574	Remove the M274, M277 top cover (3 of 10)	351
Figure 1-575	Remove the M274, M277 top cover (4 of 10)	351
Figure 1-576	Remove the M274, M277 top cover (5 of 10)	352
Figure 1-577	Remove the M274, M277 top cover (6 of 10)	352
Figure 1-578	Remove the M274, M277 top cover (7 of 10)	353
Figure 1-579	Remove the M274, M277 top cover (8 of 10)	353
Figure 1-580	Remove the M274, M277 top cover (9 of 10)	354
Figure 1-581	Remove the M274, M277 top cover (10 of 10)	354
Figure 1-582	Remove the output sensor assembly	355
Figure 1-583	Recycle and unpack	355
Figure 1-584	Install the output sensor assembly	356
Figure 1-585	Install the M252dw top cover (1 of 3)	356
Figure 1-586	Install the M252dw top cover (2 of 3)	357
Figure 1-587	Install the M252dw top cover (3 of 3)	357
Figure 1-588	Install the M274, M277 top cover (1 of 10)	358
Figure 1-589	Install the M274, M277 top cover (2 of 10)	358
Figure 1-590	Install the M274, M277 top cover (3 of 10)	359
Figure 1-591	Install the M274, M277 top cover (4 of 10)	359
Figure 1-592	Install the M274, M277 top cover (5 of 10)	360
Figure 1-593	Install the M274, M277 top cover (6 of 10)	360
Figure 1-594	Install the M274, M277 top cover (7 of 10)	361
Figure 1-595	Install the M274, M277 top cover (8 of 10)	361
Figure 1-596	Install the M274, M277 top cover (9 of 10)	362
Figure 1-597	Install the M274, M277 top cover (10 of 10)	362
Figure 1-598	Install the M274, M277 scanner (1 of 4)	363
Figure 1-599	Install the M274, M277 scanner (2 of 4)	363
Figure 1-600	Install the M274, M277 scanner (3 of 4)	364
Figure 1-601	Install the M274, M277 scanner (4 of 4)	364
Figure 1-602	Install the left cover (1 of 3)	365
Figure 1-603	Install the left cover (2 of 3)	365
Figure 1-604	Install the left cover (3 of 3)	366
Figure 1-605	Install the right cover (1 of 3)	366
Figure 1-606	Install the right cover (2 of 3)	367

Figure 1-607	Install the right cover (3 of 3)	367
Figure 1-608	Close the front door and rear door or duplexer door (1 of 2)	368
Figure 1-609	Close the front door and rear door or duplexer door (2 of 2)	368
Figure 1-610	Install Tray 2	369
Figure 1-611	Remove Tray 2	371
Figure 1-612	Remove the right cover (1 of 3)	371
Figure 1-613	Remove the right cover (2 of 3)	372
Figure 1-614	Remove the right cover (3 of 3)	372
Figure 1-615	Remove the power supply switch	373
Figure 1-616	Recycle and unpack	373
Figure 1-617	Install the power supply switch	374
Figure 1-618	Install the right cover (1 of 3)	374
Figure 1-619	Install the right cover (2 of 3)	375
Figure 1-620	Install the right cover (3 of 3)	375
Figure 1-621	Install Tray 2	376
Figure 1-622	Remove Tray 2	378
Figure 1-623	Open the front door and rear door or duplexer door (1 of 2)	378
Figure 1-624	Open the front door and rear door or duplexer door (2 of 2)	379
Figure 1-625	Remove the right cover (1 of 3)	379
Figure 1-626	Remove the right cover (2 of 3)	380
Figure 1-627	Remove the right cover (3 of 3)	380
Figure 1-628	Remove the low-voltage power supply (1 of 3)	381
Figure 1-629	Remove the low-voltage power supply (2 of 3)	381
Figure 1-630	Remove the low-voltage power supply (3 of 3)	382
Figure 1-631	Recycle and unpack	382
Figure 1-632	Install the low-voltage power supply (1 of 3)	383
Figure 1-633	Install the low-voltage power supply (2 of 3)	383
Figure 1-634	Install the low-voltage power supply (3 of 3)	384
Figure 1-635	Install the right cover (1 of 3)	384
Figure 1-636	Install the right cover (2 of 3)	385
Figure 1-637	Install the right cover (3 of 3)	385
Figure 1-638	Close the front door and rear door or duplexer door (1 of 2)	386
Figure 1-639	Close the front door and rear door or duplexer door (2 of 2)	386
Figure 1-640	Install Tray 2	387
Figure 1-641	Remove Tray 2	389
Figure 1-642	Open the front door and rear door or duplexer door (1 of 2)	390
Figure 1-643	Open the front door and rear door or duplexer door (2 of 2)	390
Figure 1-644	Remove the right cover (1 of 3)	391
Figure 1-645	Remove the right cover (2 of 3)	391
Figure 1-646	Remove the right cover (3 of 3)	392
Figure 1-647	Remove the left cover (1 of 3)	392

Figure 1-648	Remove the left cover (2 of 3)	393
Figure 1-649	Remove the left cover (3 of 3)	393
Figure 1-650	Remove the M274, M277 scanner (1 of 4)	394
Figure 1-651	Remove the M274, M277 scanner (2 of 4)	394
Figure 1-652	Remove the M274, M277 scanner (3 of 4)	395
Figure 1-653	Remove the M274, M277 scanner (4 of 4)	395
Figure 1-654	Remove the M252n top cover (1 of 4)	396
Figure 1-655	Remove the M252n top cover (2 of 4)	396
Figure 1-656	Remove the M252n top cover (3 of 4)	397
Figure 1-657	Remove the M252n top cover (4 of 4)	397
Figure 1-658	Remove the M252dw top cover (1 of 3)	398
Figure 1-659	Remove the M252dw top cover (2 of 3)	398
Figure 1-660	Remove the M252dw top cover (3 of 3)	399
Figure 1-661	Remove the M274, M277 top cover (1 of 10)	399
Figure 1-662	Remove the M274, M277 top cover (2 of 10)	400
Figure 1-663	Remove the M274, M277 top cover (3 of 10)	400
Figure 1-664	Remove the M274, M277 top cover (4 of 10)	401
Figure 1-665	Remove the M274, M277 top cover (5 of 10)	401
Figure 1-666	Remove the M274, M277 top cover (6 of 10)	402
Figure 1-667	Remove the M274, M277 top cover (7 of 10)	402
Figure 1-668	Remove the M274, M277 top cover (8 of 10)	403
Figure 1-669	Remove the M274, M277 top cover (9 of 10)	403
Figure 1-670	Remove the M274, M277 top cover (10 of 10)	404
Figure 1-671	Remove the output sensor assembly	404
Figure 1-672	Remove the duplex drive assembly (1 of 4)	405
Figure 1-673	Remove the duplex drive assembly (2 of 4)	405
Figure 1-674	Remove the duplex drive assembly (3 of 4)	406
Figure 1-675	Remove the duplex drive assembly (4 of 4)	406
Figure 1-676	Remove the fuser (1 of 4)	407
Figure 1-677	Remove the fuser (2 of 4)	407
Figure 1-678	Remove the fuser (3 of 4)	408
Figure 1-679	Remove the fuser (4 of 4)	408
Figure 1-680	Recycle and unpack	409
Figure 1-681	Install the fuser (1 of 4)	409
Figure 1-682	Install the fuser (2 of 4)	410
Figure 1-683	Install the fuser (3 of 4)	410
Figure 1-684	Install the fuser (4 of 4)	411
Figure 1-685	Install the duplex drive assembly (1 of 4)	411
Figure 1-686	Install the duplex drive assembly (2 of 4)	412
Figure 1-687	Install the duplex drive assembly (3 of 4)	412
Figure 1-688	Install the duplex drive assembly (4 of 4)	413

Figure 1-689	Install the output sensor assembly	413
Figure 1-690	Install the M252n top cover (1 of 4)	414
Figure 1-691	Install the M252n top cover (2 of 4)	414
Figure 1-692	Install the M252n top cover (3 of 4)	415
Figure 1-693	Install the M252n top cover (4 of 4)	415
Figure 1-694	Install the M252dw top cover (1 of 3)	416
Figure 1-695	Install the M252dw top cover (2 of 3)	416
Figure 1-696	Install the M252dw top cover (3 of 3)	417
Figure 1-697	Install the M274, M277 top cover (1 of 10)	417
Figure 1-698	Install the M274, M277 top cover (2 of 10)	418
Figure 1-699	Install the M274, M277 top cover (3 of 10)	418
Figure 1-700	Install the M274, M277 top cover (4 of 10)	419
Figure 1-701	Install the M274, M277 top cover (5 of 10)	419
Figure 1-702	Install the M274, M277 top cover (6 of 10)	420
Figure 1-703	Install the M274, M277 top cover (7 of 10)	420
Figure 1-704	Install the M274, M277 top cover (8 of 10)	421
Figure 1-705	Install the M274, M277 top cover (9 of 10)	421
Figure 1-706	Install the M274, M277 top cover (10 of 10)	422
Figure 1-707	Install the M274, M277 scanner (1 of 4)	422
Figure 1-708	Install the M274, M277 scanner (2 of 4)	423
Figure 1-709	Install the M274, M277 scanner (3 of 4)	423
Figure 1-710	Install the M274, M277 scanner (4 of 4)	424
Figure 1-711	Install the left cover (1 of 3)	424
Figure 1-712	Install the left cover (2 of 3)	425
Figure 1-713	Install the left cover (3 of 3)	425
Figure 1-714	Install the right cover (1 of 3)	426
Figure 1-715	Install the right cover (2 of 3)	426
Figure 1-716	Install the right cover (3 of 3)	427
Figure 1-717	Close the front door and rear door or duplexer door (1 of 2)	427
Figure 1-718	Close the front door and rear door or duplexer door (2 of 2)	428
Figure 1-719	Install Tray 2	428
Figure 1-720	Remove Tray 2	430
Figure 1-721	Open the front door and rear door or duplexer door (1 of 2)	430
Figure 1-722	Open the front door and rear door or duplexer door (2 of 2)	431
Figure 1-723	Remove the right cover (1 of 3)	431
Figure 1-724	Remove the right cover (2 of 3)	432
Figure 1-725	Remove the right cover (3 of 3)	432
Figure 1-726	Remove the main motor	433
Figure 1-727	Recycle and unpack	433
Figure 1-728	Install the main motor	434
Figure 1-729	Install the right cover (1 of 3)	434

Figure 1-730	Install the right cover (2 of 3)	435
Figure 1-731	Install the right cover (3 of 3)	435
Figure 1-732	Close the front door and rear door or duplexer door (1 of 2)	436
Figure 1-733	Close the front door and rear door or duplexer door (2 of 2)	436
Figure 1-734	Install Tray 2	437
Figure 1-735	Remove Tray 2	439
Figure 1-736	Open the front door and rear door or duplexer door (1 of 2)	439
Figure 1-737	Open the front door and rear door or duplexer door (2 of 2)	440
Figure 1-738	Remove the right cover (1 of 3)	440
Figure 1-739	Remove the right cover (2 of 3)	441
Figure 1-740	Remove the right cover (3 of 3)	441
Figure 1-741	Remove the fuser motor	442
Figure 1-742	Recycle and unpack	442
Figure 1-743	Install the fuser motor	443
Figure 1-744	Install the right cover (1 of 3)	443
Figure 1-745	Install the right cover (2 of 3)	444
Figure 1-746	Install the right cover (3 of 3)	444
Figure 1-747	Close the front door and rear door or duplexer door (1 of 2)	445
Figure 1-748	Close the front door and rear door or duplexer door (2 of 2)	445
Figure 1-749	Install Tray 2	446
Figure 1-750	Remove Tray 2	448
Figure 1-751	Open the front door and rear door or duplexer door (1 of 2)	448
Figure 1-752	Open the front door and rear door or duplexer door (2 of 2)	449
Figure 1-753	Remove the right cover (1 of 3)	449
Figure 1-754	Remove the right cover (2 of 3)	450
Figure 1-755	Remove the right cover (3 of 3)	450
Figure 1-756	Remove the main fan (1 of 3)	451
Figure 1-757	Remove the main fan (2 of 3)	451
Figure 1-758	Remove the main fan (3 of 3)	452
Figure 1-759	Recycle and unpack	452
Figure 1-760	Install the main fan (1 of 3)	453
Figure 1-761	Install the main fan (2 of 3)	453
Figure 1-762	Install the main fan (3 of 3)	454
Figure 1-763	Install the right cover (1 of 3)	454
Figure 1-764	Install the right cover (2 of 3)	455
Figure 1-765	Install the right cover (3 of 3)	455
Figure 1-766	Close the front door and rear door or duplexer door (1 of 2)	456
Figure 1-767	Close the front door and rear door or duplexer door (2 of 2)	456
Figure 1-768	Install Tray 2	457
Figure 2-1	M252 assembly locations	461
Figure 2-2	M274, M277 assembly locations	462

Figure 2-3	Document feeder and scanner whole units (M274, M277 models only)	464
Figure 2-4	M252 covers and control panels	466
Figure 2-5	M274, M277 covers and control panel	468
Figure 2-6	Internal components (1 of 3)	470
Figure 2-7	Internal components (2 of 3)	472
Figure 2-8	Internal components (3 of 3)	474

1 Removal and replacement

- [Related documentation and software](#)
- [Removal and replacement strategy](#)
- [Service approach](#)
- [Order parts by authorized service providers](#)
- [Removal and replacement procedures](#)

Related documentation and software

HP service personnel, go to the Service Access Work Bench (SAW) at <http://h41302.www4.hp.com/km/saw/home.do>.

Channel partners, go to HP Channel Services Network (CSN) at <https://h30125.www3.hp.com/hpcsn>.

Removal and replacement strategy

Introduction

The printer uses a field repair strategy. Defective parts are diagnosed and replaced at the Field Replaceable Unit (FRU) assembly level. Repair normally begins by using the printer internal diagnostics and the following two-step process:

1. Isolate the problem to the major system (for example, the network or server, or the printer).
2. Troubleshoot the problem by using the procedures in the troubleshooting chapter.

After locating a faulty part, the printer can usually be repaired at the assembly level by replacing FRUs. Some mechanical assemblies might need to be repaired at the subassembly level. HP does not support replacement of components on the printed circuit assemblies.

The user replaces toner cartridges as they are depleted. Additional instructions about other user-replaceable parts are provided in this section.

The printer tracks the amount of use on the customer-replaceable supplies by keeping a page count. The printer prompts the user to replace certain items when a supply is depleted or a specific number of pages has been printed.


Swapping toner cartridges between printers might cause a misrepresentation of supply life values and is not recommended.

Considerations during removal and replacement

This chapter describes the removal and replacement of field-replaceable units (FRUs) only.


Replacing FRUs is generally the reverse of removal. Notes are included to provide directions for difficult or critical replacement procedures.

HP does not support repairing individual subassemblies or troubleshooting to the printed-circuit assembly (PCA) component level.

 **WARNING!** Never operate or service the printer with the protective cover removed from the laser scanner assembly. The reflected beam, although invisible, can cause damage the eyes.


The sheet-metal parts can have sharp edges. Be careful when handling sheet-metal parts.


Turn the printer off, wait 5 seconds, and then remove the power cord before attempting to service the printer. *If this warning is not followed, severe injury and damage to the printer can result.* The power must be on for certain functional checks during troubleshooting. However, the power cord must be disconnected during parts removal. AC voltage is still present inside the printer when the power switch is in the off position. The power cord must be *disconnected* before servicing the printer.

 **CAUTION:** Incorrectly routed or loose wire harnesses might interfere with other internal components or assemblies and be damaged, pinched, or frayed. Make sure that wire harnesses are correctly routed and retained when installing assemblies.

Do not bend or fold the flat cables during removal or installation.


Do not expose the toner cartridge (or toner cartridges), to strong light even for a short time.

 **IMPORTANT:** When an assembly is removed that includes a rating plate or tag (or a printer code label), make sure to transfer the plate or tag (or code label) to the replacement assembly.



 **NOTE:** During assembly removal and replacement, or if the printer is moved, remove the toner cartridge or cartridges.

Toner is a non-poisonous substance composed of plastic and a small number of colored components. If toner gets on the skin or clothing, wipe it off with dry tissue paper and wash in cold water. Hot water sets toner and it might be difficult, or impossible, to remove. Toner easily breaks down vinyl materials—avoid letting toner contact with vinyl.

During assembly removal and replacement, or if the printer is moved, remove the tray cassette or cassettes.

 **TIP:** For clarity, some figures in this chapter show assemblies removed that are not required to be removed to service the printer (for example, the scanner and document feeder assemblies). The procedures in this manual are correct for this printer.

Electrostatic discharge

 **CAUTION:**  Some parts are sensitive to electrostatic discharge (ESD). Look for the ESD reminder when removing printer parts. Always perform service work at an ESD-protected workstation or mat. If an ESD workstation or mat is not available, touch the sheet-metal chassis to provide a static ground *before* touching an ESD-sensitive assembly.

Protect the ESD-sensitive assemblies by placing them in ESD pouches when they are out of the printer.

Required tools

- #2 Phillips screwdriver with a magnetic tip and a 152-mm (6-in) shaft length
- Small, flat-blade screwdriver
- Needle-nose pliers
- ESD strap (if one is available)
- Penlight


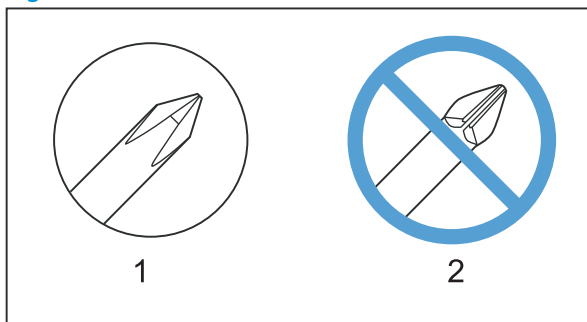


 **CAUTION:** Always use a Phillips screwdriver (callout 1). Do not use a Pozidriv screwdriver (callout 2) or any motorized screwdriver. These can damage screws or screw threads.

Figure 1-1 Screwdrivers



Fasteners used in this printer

 **WARNING!** Make sure that assemblies are replaced with the correct screw type. Using the incorrect screw (for example, substituting a long screw for the correct shorter screw) can cause damage to the printer or interfere with printer operation. Do not intermix screws that are removed from one assembly with the screws that are removed from another assembly.

 **NOTE:** To install a screw, first turn it counterclockwise to align it with the existing thread pattern, and then carefully turn it clockwise to tighten. Do not overtighten. If a self-tapping screw-hole becomes stripped, repair the screw-hole or replace the affected assembly.

Always take note of the length, diameter, color, type, and location of each removed screw. Make sure that screws are installed in the original location they were removed from during reinstallation.

Fasteners used in M252 models


- M3x10mm Plastite (metallic)
- M3x8mm Taptite (metallic)
- M3x6mm Taptite (black)

Fasteners used in M274 and M277 models

- M3x10mm Plastite (metallic)
- M3x8mm Taptite (metallic)
- M3x6mm Taptite (black)
- M4x13.3mm Plastite (black chrome)
- M3x14 Taptite (black)
- M3x8mm Plastite (metallic)

Service approach

Before performing service



 **WARNING!** Turn the printer off, wait 30 seconds, and then remove the power cord before attempting to service the printer. *If this warning is not followed, severe injury and damage to the printer can result.* The power must be on for certain functional checks during troubleshooting. However, the power supply should be disconnected during parts removal.

1. Remove all paper.
2. Place the printer on an ESD mat (if available). If an ESD workstation or mat is not available, touch the sheet-metal chassis to provide a static ground *before* touching an ESD-sensitive assembly.
3. Remove the toner cartridge or toner cartridges.
4. Remove the trays.






Secondary service menu

Use the secondary service menu to print service-related reports and to run special tests. Customers do not have access to this menu.

Two-line control panels

1. From the printer control panel, press the **OK** button.
2. Select the **Setup** menu, and then press the **OK** button.
3. Press the left arrow  button, and then quickly press the Cancel  button. The control panel returns to the **Ready** state.
4. Press the **OK** button, and then reopen the **Setup** menu.
5. Select the **2ndary Service** menu, and then press the **OK** button.

Touchscreen control panels

1. From the Home screen on the printer control panel, swipe to and touch the **Setup**  button.
2. Touch the space between the Home  and Help  control-panel buttons.
3. Touch the Back  button. The control panel returns to the Home screen.
4. From the Home screen on the printer control panel, swipe to and touch the **Setup**  button.
5. Touch the **2ndary Service** menu.

After performing service

1. Reinstall the toner cartridge or toner cartridges.
2. Reinstall the trays.
3. Return all paper to the trays.

4. Plug in the power cable and turn on the printer.
5. Perform print-quality tests by printing from a host computer.

Post service tests

After service has been completed, perform the following tests to verify that the repair or replacement was successful.

Print-quality test

1. Verify that you have completed the necessary reassembly steps.
2. Ensure that the input tray contains clean, unmarked paper.
3. With the power cord and interface cables attached, turn on the printer.
4. Verify that the expected start up sounds occur.
5. Print a configuration page, and then verify that the expected printing sounds occur.
6. Print a demo page, and then verify that the print quality is as expected.
7. Send a print job from the host computer, and then verify that the output meets expectations.
8. If necessary, restore any customer-specified settings.
9. Clean the outside of the printer with a damp cloth.

Copy-quality test (M274 and M277 models)

1. Verify that you have completed the necessary reassembly steps.
2. Ensure that the input tray contains clean, unmarked paper.
3. With the power cord attached, turn on the printer.
4. Verify that the expected start up sounds occur.
5. Print a configuration page, and then verify that the expected printing sounds occur.
6. Place the configuration page in the document feeder or on the flatbed glass.
7. Print a copy job, and then verify the results.
8. Clean the outside of the printer with a damp cloth.

Fax-quality test (M277 models)

1. Place the configuration page in the document feeder.
2. Type a valid fax number, and send the fax job.
3. Verify that the send quality and the receive quality meet expectations.

Order parts by authorized service providers

Order supplies and paper	www.hp.com/go/suresupply
Order genuine HP parts or accessories	www.hp.com/buy/parts
Order through service or support providers	Contact an HP-authorized service or support provider.
Order using the HP Embedded Web Server (EWS)	To access, in a supported Web browser on your computer, enter the printer IP address or host name in the address/URL field. The EWS contains a link to the HP SureSupply Web site, which provides options for purchasing Original HP supplies.

Orderable parts

Not all of the assemblies described in this chapter can be ordered. Use the parts chapter in this manual to determine if an assembly is orderable.

Whole unit replacement (WUR) part numbers

Part number	Description
B4A21-69003	220V M252n WUR EMEA
B4A21-67001	220V M252n WUR CN/MY
B4A22-69001	220V M252dw WUR AP/EMEA
B4A22-69004	110V M252dw WUR NAR/LA
M6D61-67018	220v M274n WUR CN
M6D61-67019	220v M274n WUR AP
M6D61-69001	220v M274n WUR EMEA
B3Q10-69001	220V M277n WUR AP
B3Q10-67001	220V M277n WUR CN
B3Q10-69003	220V M277n WUR EMEA
B3Q11-67001	220V M277dw WUR CN
B3Q11-69001	110V M277dw WUR NAR
B3Q11-69002	110V M277dw WUR BR
B3Q11-69003	220V M277dw WUR EMEA
B3Q11-69004	220V M277dw WUR AP
B3Q11-69005	220V M277dw WUR LAR

Supplies part numbers

Table 1-1 Supplies part numbers

Item	Description	Cartridge number	Part number
Supplies			
HP 201A Black Original LaserJet Toner Cartridge	Standard-capacity replacement black toner cartridge	201A	CF400-67901
HP 201X High Yield Black Original LaserJet Toner Cartridge	High-capacity replacement black toner cartridge	201X	CF400-67902
HP 201A Cyan Original LaserJet Toner Cartridge	Standard-capacity replacement cyan toner cartridge	201A	CF401-67901
HP 201X High Yield Cyan Original LaserJet Toner Cartridge	High-capacity replacement cyan toner cartridge	201X	CF401-67902
HP 201A Yellow Original LaserJet Toner Cartridge	Standard-capacity replacement yellow toner cartridge	201A	CF402-67901
HP 201X High Yield Yellow Original LaserJet Toner Cartridge	High-capacity replacement yellow toner cartridge	201X	CF402-67902
HP 201A Magenta Original LaserJet Toner Cartridge	Standard-capacity replacement magenta toner cartridge	201A	CF403-67901
HP 201X High Yield Magenta Original LaserJet Toner Cartridge	High-capacity replacement magenta toner cartridge	201X	CF403-67902
Accessories			
USB 2.0 printer cable	A-to-B cable (2-meter standard)		C6518A

Related documentation and software

HP service personnel, go to the Link Service Access Work Bench (SAW) at <http://h41302.www4.hp.com/km/saw/home.do>.

Channel partners, go to Link HP Channel Services Network (CNS) at <https://h30125.www3.hp.com/hpcsn>.

Removal and replacement procedures

Customer self-repair (CSR) A parts and assemblies

- [Removal and replacement: Toner cartridges](#)
- [Removal and replacement: Priority feed slot tray](#)
- [Removal and replacement: Tray 2](#)

The CSR level indicates the expected difficulty the customer will experience when removing and replacing an assembly. The CSR A assemblies in this section are easy for the customer to remove and replace.


Removal and replacement: Toner cartridges

- [Introduction](#)
- [Step 1: Remove a toner cartridge](#)
- [Step 2: Unpack a replacement toner cartridge](#)
- [Step 3: Install a toner cartridge](#)

Introduction

This document provides instructions about removing and replacing toner cartridges.

Before you begin

-  **CAUTION:** To prevent damage to the toner cartridge, do not expose it to light for more than a few minutes. Cover the green imaging drum if the toner cartridge must be removed from the printer for an extended period of time.

If toner gets on clothing, wipe it off by using a dry cloth and wash the clothes in cold water. Hot water sets toner into fabric.

- Use the table below to identify the correct part number for your printer. To order the part, go to www.hp.com/buy/parts.

Toner cartridge part numbers

CF400X: High-capacity replacement black (K) toner cartridge Black toner cartridge with instruction guide

CF400A: Standard-capacity replacement black (K) toner cartridge

CF401X: High-capacity replacement cyan (C) toner cartridge Cyan toner cartridge with instruction guide

CF401A: Standard-capacity replacement cyan (C) toner cartridge

CF402X: High-capacity replacement yellow (Y) toner cartridge Yellow toner cartridge with instruction guide

CF402A: Standard-capacity replacement yellow (Y) toner cartridge

CF403X: High-capacity replacement magenta (M) toner cartridge Magenta toner cartridge with instruction guide

CF403A: Standard-capacity replacement magenta (M) toner cartridge

Required tools

- No special tools are required to install this part.

After performing service

- Make sure that the front door is fully closed after replacing a toner cartridge.

Step 1: Remove a toner cartridge

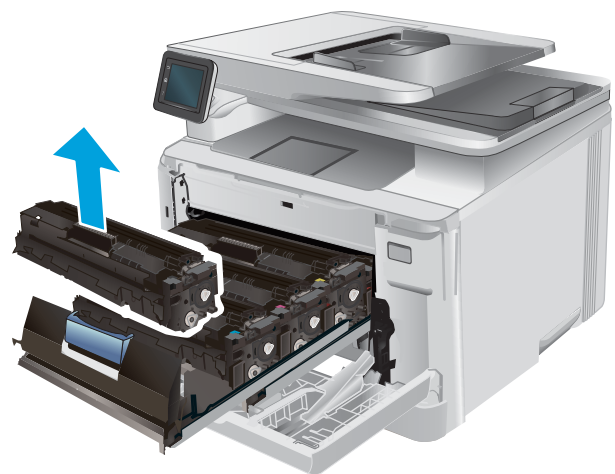
1. Open the front door.



2. Grasp the blue handle on the toner cartridge drawer, and then pull out the drawer.

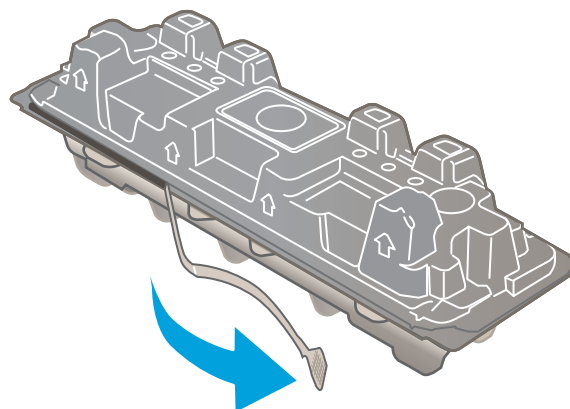


3. Grasp the handle on the toner cartridge, and then pull the toner cartridge straight up to remove it.

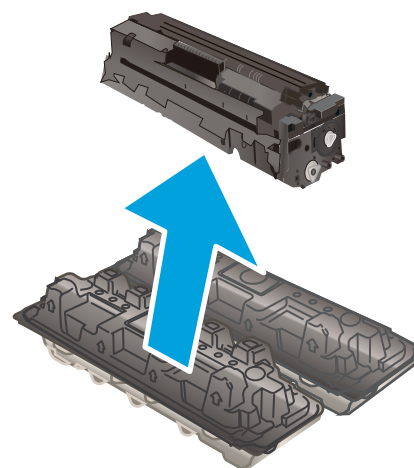


Step 2: Unpack a replacement toner cartridge

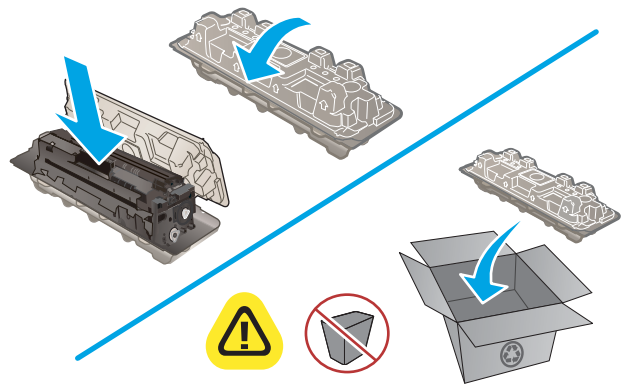
1. Remove the new toner cartridge package from the box, and then pull the release tab on the packaging.



2. Remove the toner cartridge from the opened packaging shell.

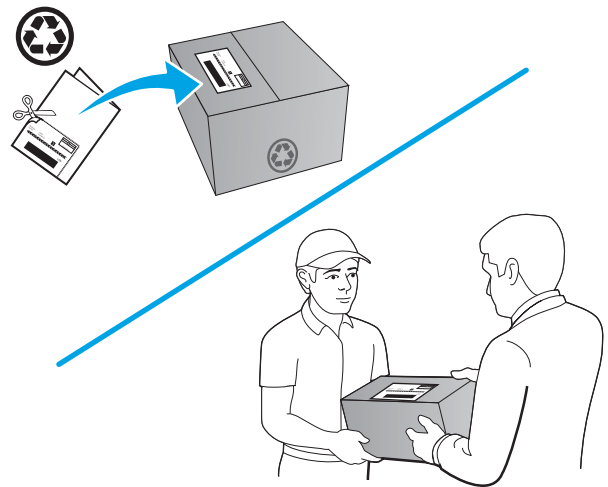


- 3. Place the used toner cartridge in the packaging from the new cartridge.



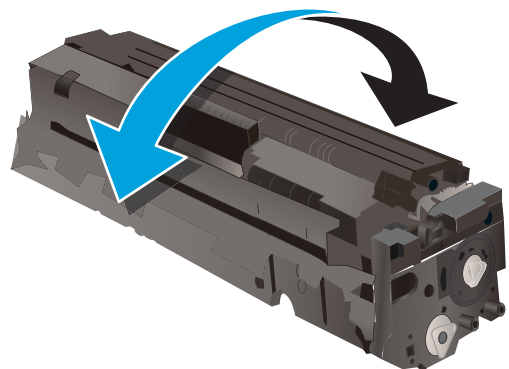
 <http://www.hp.com/recycle>

- 4. Use the pre-paid self-addressed label to return the used cartridge to HP for recycling (where available).

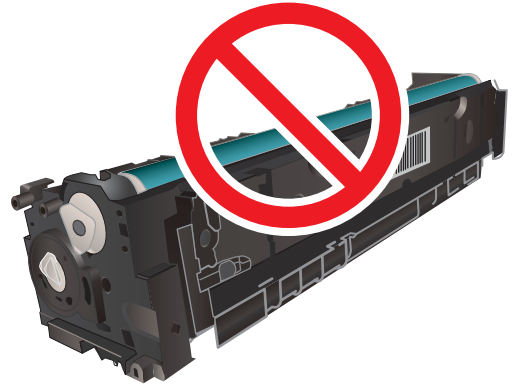


Step 3: Install a toner cartridge

- 1. Gently rock the toner cartridge from front to back to distribute the toner evenly inside the cartridge.



2. Do not touch the imaging drum on the bottom of the toner cartridge. Fingerprints on the imaging drum can cause print-quality problems.



3. Insert the new toner cartridge into the drawer. Make sure that the color chip on the cartridge matches the color chip on the drawer.



4. Close the toner cartridge drawer.



5. Close the front door.



Removal and replacement: Priority feed slot tray

- [Introduction](#)
- [Step 1: Remove Tray 2](#)
- [Step 2: Remove the priority feed slot tray](#)
- [Step 3: Unpack a replacement priority feed slot tray](#)
- [Step 4: Install the priority feed slot tray](#)
- [Step 5: Install Tray 2](#)

Introduction

This document provides the procedures to remove and replace the priority feed slot tray.

Before you begin

- Use the table below to identify the correct part number for your printer. To order the part, go to www.hp.com/buy/parts.

Priority feed slot tray part number	
-------------------------------------	--

RM2-5865-000CN

Priority feed slot tray

Required tools

- No special tools are required to install this part.

After performing service

- Make sure that the priority feed slot tray is fully seated in the slot after replacing it.

Step 1: Remove Tray 2

- ▲ Using the handle on the face of Tray 2, pull the tray completely out of the printer.

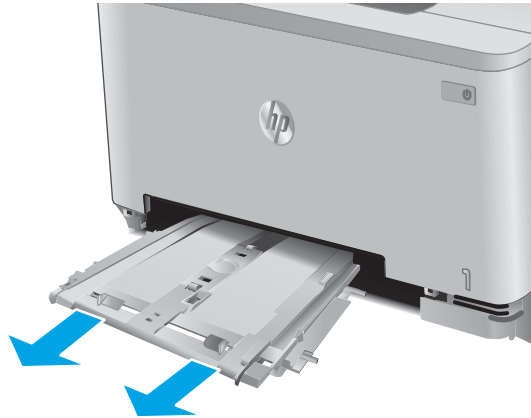
Figure 1-2 Remove Tray 2



Step 2: Remove the priority feed slot tray

- ▲ At the front of the printer, gently push down on the single-sheet priority feed slot tray, and then pull out the feed slot tray.

Figure 1-3 Remove the priority feed slot tray



Step 3: Unpack a replacement priority feed slot tray

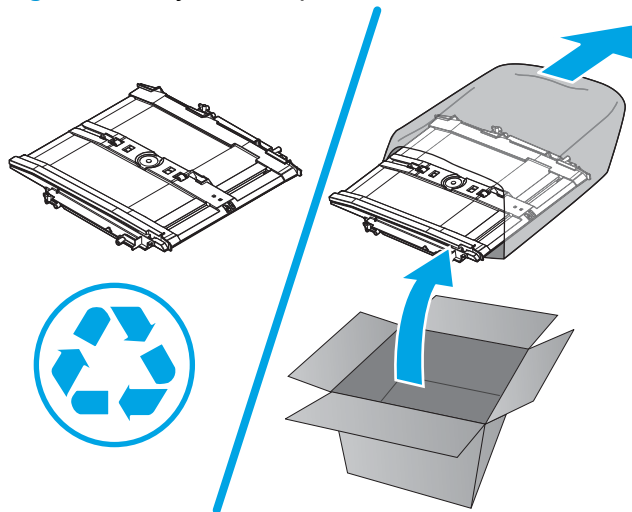
Remove the new priority feed slot tray from its package. Save all packaging for recycling the used part.

For complete information on HP's recycling programs, go to <http://www8.hp.com/us/en/hp-information/environment/product-recycling.html>.



NOTE: HP recommends responsible disposal of the defective assembly.

Figure 1-4 Recycle and unpack



Step 4: Install the priority feed slot tray

- ▲ Gently push the single-sheet priority feed slot tray into the feed slot.

Figure 1-5 Install the priority feed slot tray



Step 5: Install Tray 2

- ▲ Align Tray 2 with the tray cavity, and then push the tray into the printer.

Figure 1-6 Install Tray 2



Removal and replacement: Tray 2

- [Introduction](#)
- [Step 1: Remove Tray 2](#)
- [Step 2: Unpack a replacement Tray 2](#)
- [Step 3: Install Tray 2](#)

Introduction

This document provides the procedures to remove and replace Tray 2.

Before you begin

- Use the table below to identify the correct part number for your printer. To order the part, go to www.hp.com/buy/parts to order the part.

Tray 2 part numbers	
RM2-5885-000CN	M252 Tray 2
RM2-5886-000CN	M274, M277 Tray 2

Required tools

- No special tools are required to install this part.

After servicing

- Make sure that Tray 2 is fully closed after replacing it.

Step 1: Remove Tray 2

- ▲ Using the handle on the face of Tray 2, pull the tray completely out of the printer.

Figure 1-7 Remove Tray 2



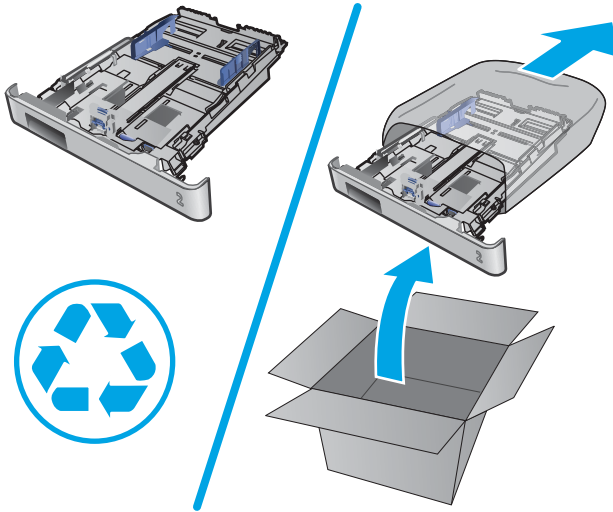
Step 2: Unpack a replacement Tray 2

Remove the new Tray 2 from its package. Save all packaging for recycling the used part.

For complete information on HP's recycling programs, go to <http://www8.hp.com/us/en/hp-information/environment/product-recycling.html>.

 **NOTE:** HP recommends responsible disposal of the defective assembly.

Figure 1-8 Recycle and unpack



Step 3: Install Tray 2

- ▲ Align Tray 2 with the tray cavity, and then push the tray into the printer.

Figure 1-9 Install Tray 2



Field replaceable units (FRUs)

Removal and replacement: Rollers

- [Removal and replacement: Tray 2 pickup roller and feed roller](#)
- [Removal and replacement: Tray 2 separation roller](#)
- [Removal and replacement: Secondary transfer roller](#)

Removal and replacement: Tray 2 pickup roller and feed roller


- [Introduction](#)
- [Step 1: Remove Tray 2](#)
- [Step 2: Remove the Tray 2 pickup roller and feed roller assembly](#)
- [Step 3: Unpack a replacement pickup roller and feed roller](#)
- [Step 4: Install the Tray 2 paper pickup roller and feed roller assembly](#)
- [Step 5: Install Tray 2](#)

Introduction

This document provides the procedures to remove and replace the Tray 2 pickup and feed rollers.

Before you begin

- Turn off the printer.
- Disconnect the power cable.

 **WARNING!** To avoid damage to the printer, turn the printer off, wait 30 seconds, and then remove the power cord before attempting to service the printer.

- Use the table below to identify the correct part number for your printer. To order the part, go to www.hp.com/buy/parts to order the part.

Tray 2 pickup and feed rollers part numbers

RM2-5576-000CN	Tray 2 pickup roller
RM2-5577-000CN	Tray 2 feed roller

Required tools

- #2 Phillips screwdriver with a magnetic tip

After performing service

- Connect the power cable.
- Use the power switch to turn the power on.

Step 1: Remove Tray 2

- ▲ Using the handle on the face of Tray 2, pull the tray completely out of the printer.

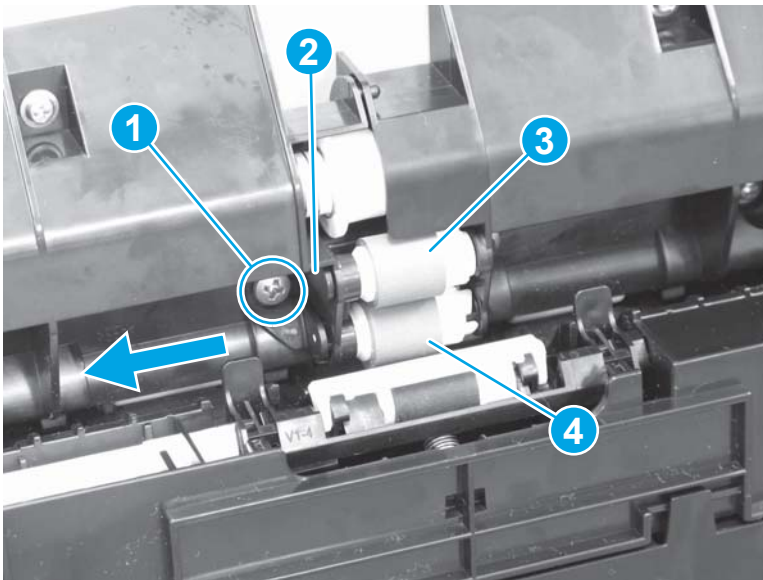
Figure 1-10 Remove Tray 2



Step 2: Remove the Tray 2 pickup roller and feed roller assembly

- ▲ Turn the printer front side up, so that it is resting on the rear door or duplexer. On the underside of the printer, remove one M4 tapping screw (callout 1), slide the two-pronged shaft assembly (callout 2) in the direction indicated, and then remove the pickup roller (callout 3) and the feed roller (callout 4).

Figure 1-11 Remove the pickup and feed rollers



Step 3: Unpack a replacement pickup roller and feed roller

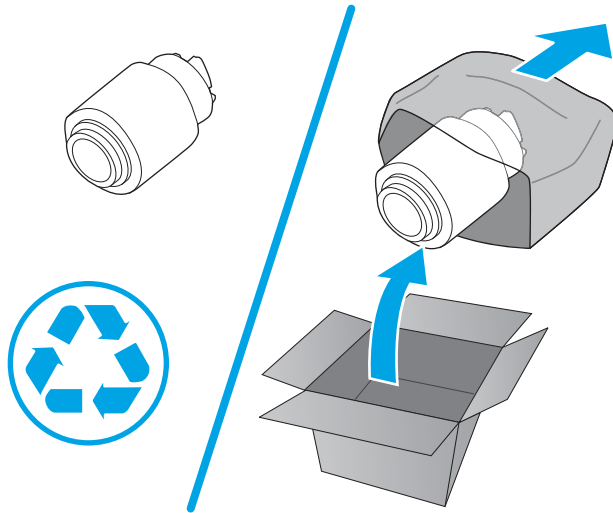
Remove the new pickup roller and feed roller from their package. Save all packaging for recycling the used parts.

For complete information on HP's recycling programs, go to <http://www8.hp.com/us/en/hp-information/environment/product-recycling.html>.



NOTE: HP recommends responsible disposal of the defective assembly.

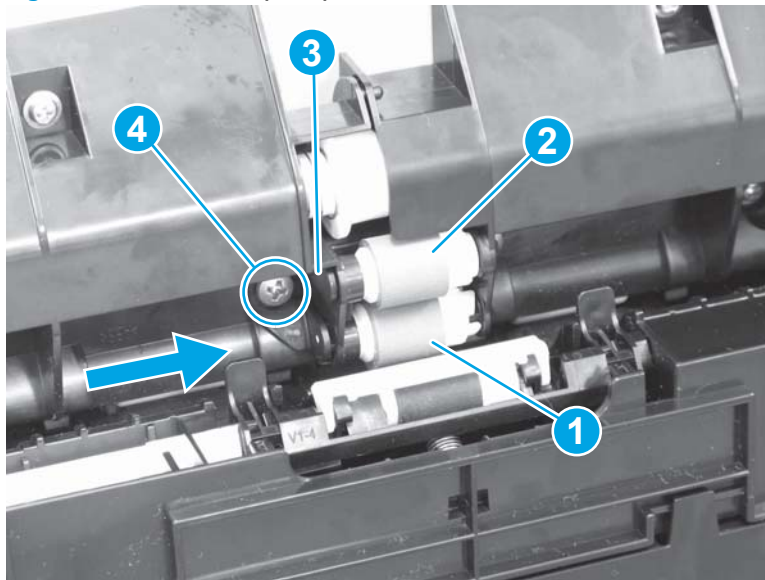
Figure 1-12 Recycle and unpack



Step 4: Install the Tray 2 paper pickup roller and feed roller assembly

- ▲ Turn the printer front side up, so that it is resting on the rear door or duplexer. On the underside of the printer, set the feed roller (callout 1) and the pickup roller (callout 2) in place. Slide the two-pronged shaft assembly (callout 3) in the direction indicated, and then install one M4 tapping screw (callout 4).

Figure 1-13 Install the pickup and feed rollers



Step 5: Install Tray 2

- ▲ Align Tray 2 with the tray cavity, and then push the tray into the printer.

Figure 1-14 Install Tray 2



Removal and replacement: Tray 2 separation roller


- [Introduction](#)
- [Step 1: Remove Tray 2](#)
- [Step 2: Remove the Tray 2 separation roller assembly](#)
- [Step 3: Unpack a replacement separation roller](#)
- [Step 4: Install the Tray 2 separation roller assembly](#)
- [Step 5: Install Tray 2](#)

Introduction

This document provides the procedures to remove and replace the Tray 2 separation roller.

Before you begin

- Turn off the printer.
- Disconnect the power cable.

 **WARNING!** To avoid damage to the printer, turn the printer off, wait 30 seconds, and then remove the power cord before attempting to service the printer.

- Use the table below to identify the correct part number for your printer. To order the part, go to www.hp.com/buy/parts to order the part.

Tray 2 separation roller kit part number	
--	--

RM2-5881-000CN	Tray 2 separation roller with instruction guide
----------------	---

Required tools

- #2 Phillips screwdriver with a magnetic tip

After performing service

- Connect the power cable.
- Use the power switch to turn the power on.

Step 1: Remove Tray 2

- ▲ Using the handle on the face of Tray 2, pull the tray completely out of the printer.

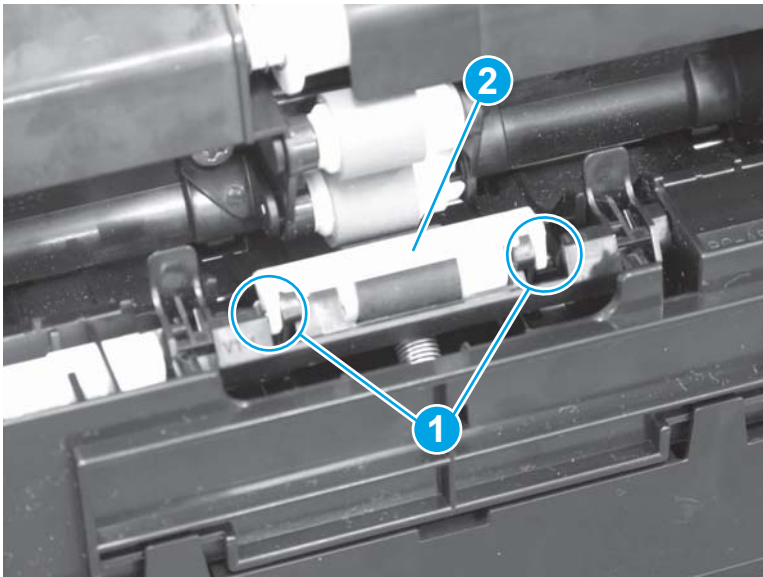
Figure 1-15 Remove Tray 2



Step 2: Remove the Tray 2 separation roller assembly

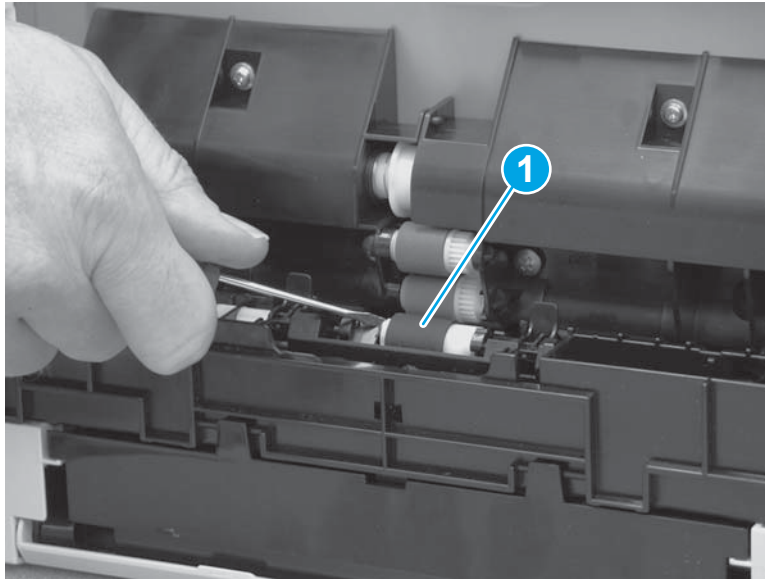
1. Turn the printer front side up, so that it is resting on the rear door or duplexer. On the underside of the printer, release two tabs (callout 1), and then remove the roller cover (callout 2).

Figure 1-16 Remove the separation roller (1 of 2)



2. Pull the left side of the roller (callout 1) first to remove it from the chassis.

Figure 1-17 Remove the separation roller (2 of 2)



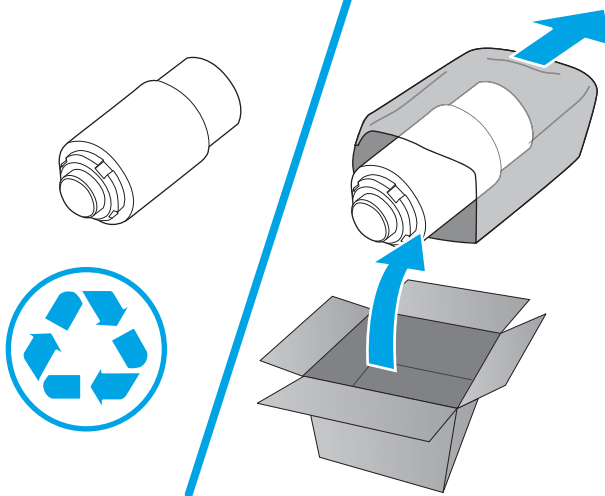
Step 3: Unpack a replacement separation roller

Remove the new separation roller from its package. Save all packaging for recycling the used part.

For complete information on HP's recycling programs, go to <http://www8.hp.com/us/en/hp-information/environment/product-recycling.html>.

 **NOTE:** HP recommends responsible disposal of the defective assembly.

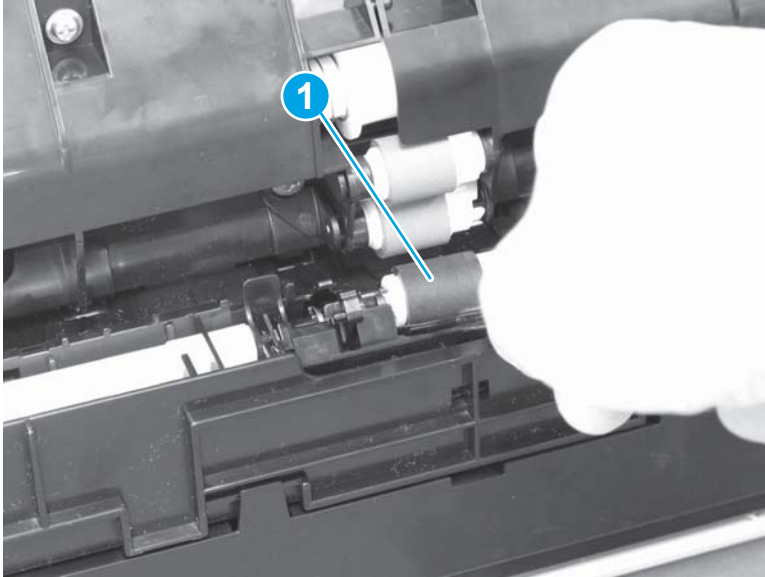
Figure 1-18 Recycle and unpack



Step 4: Install the Tray 2 separation roller assembly

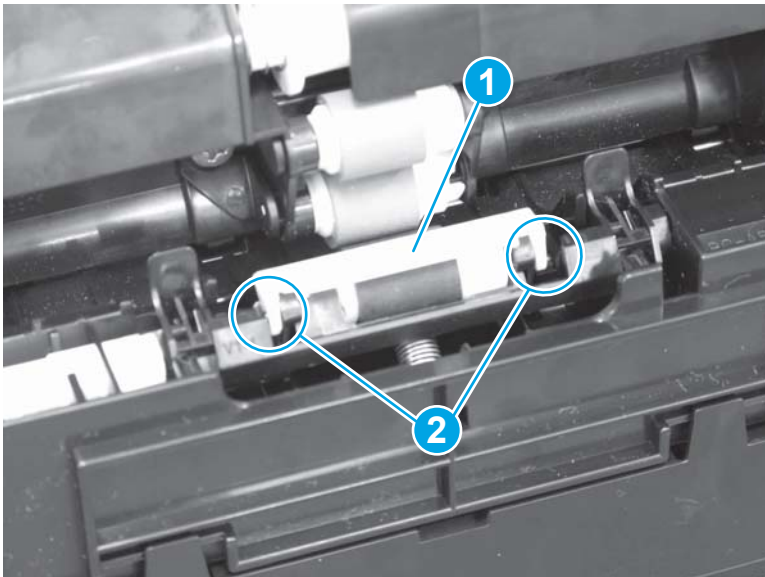
1. Turn the printer front side up, so that it is resting on the rear door or duplexer. On the underside of the printer, insert the right side of the roller (callout 1) first to set it in the chassis.

Figure 1-19 Remove the separation roller (1 of 2)



2. Set the roller cover (callout 1) in place, and then engage two tabs (callout 2) to affix the cover to the roller assembly.

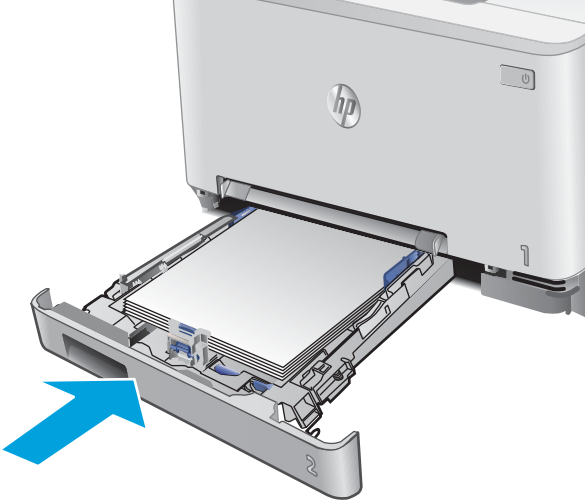
Figure 1-20 Install the separation roller (2 of 2)



Step 5: Install Tray 2

- ▲ Align Tray 2 with the tray cavity, and then push the tray into the printer.

Figure 1-21 Install Tray 2



Removal and replacement: Secondary transfer roller


- [Introduction](#)
- [Step 1: Remove the secondary transfer roller](#)
- [Step 2: Unpack a replacement secondary transfer roller](#)
- [Step 3: Install the secondary transfer roller](#)

Introduction

This document provides the procedures to remove and replace the secondary transfer roller.

Before you begin

- Turn off the printer.
- Disconnect the power cable.

 **WARNING!** To avoid damage to the printer, turn the printer off, wait 30 seconds, and then remove the power cord before attempting to service the printer.

- Use the table below to identify the correct part number for your printer. To order the part, go to www.hp.com/buy/parts to order the part.

Secondary transfer roller kit part number	
RM2-5906-000CN	Secondary transfer roller

Required tools

- #2 Phillips screwdriver with a magnetic tip

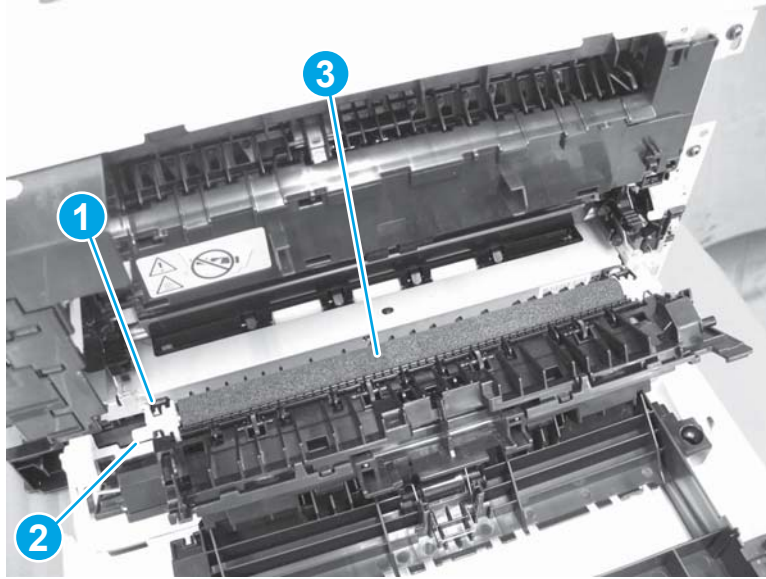
After performing service

- Connect the power cable.
- Use the power switch to turn the power on.

Step 1: Remove the secondary transfer roller

- ▲ Open the rear door assembly. Inside the door assembly, release two tabs (callout 1), remove one bushing (callout 2), and then pull the secondary transfer roller (callout 3) out of the door assembly.

Figure 1-22 Remove the secondary transfer roller



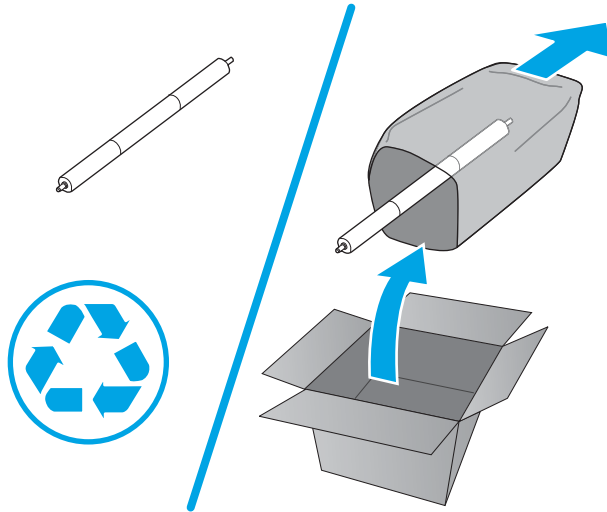
Step 2: Unpack a replacement secondary transfer roller

Remove the new secondary transfer roller from its package. Save all packaging for recycling the used part.

For complete information on HP's recycling programs, go to <http://www8.hp.com/us/en/hp-information/environment/product-recycling.html>.

 **NOTE:** HP recommends responsible disposal of the defective assembly.

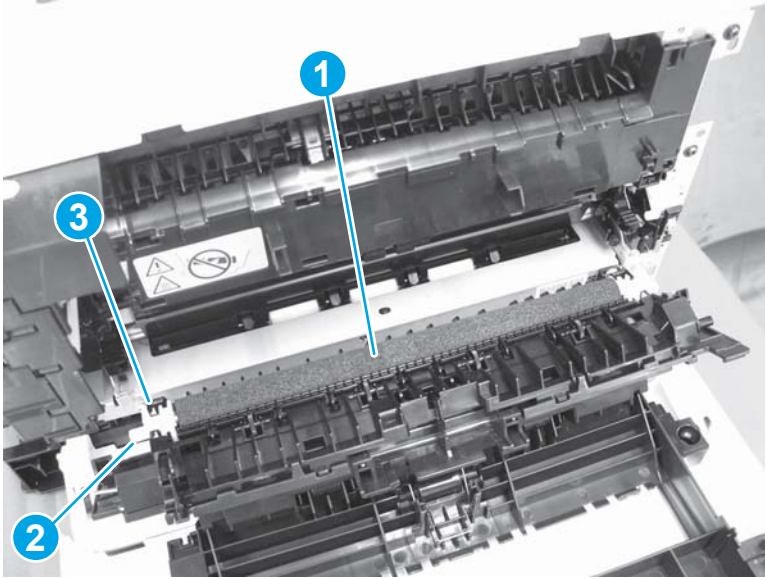
Figure 1-23 Recycle and unpack



Step 3: Install the secondary transfer roller

- ▲ Open the rear door assembly. Inside the door assembly, set the secondary transfer roller (callout 1) in place, set one bushing (callout 2) in place, and then engage two tabs (callout 3).

Figure 1-24 Install the secondary transfer roller



Removal and replacement: External panels, covers, and doors

- [Identification and location \(printer base\)](#)
- [Removal and replacement: Right cover](#)
- [Removal and replacement: Left cover](#)
- [Removal and replacement: Top cover, M252n models](#)
- [Removal and replacement: Top cover, M252dw models](#)
- [Removal and replacement: Top cover, M274, M277 models](#)
- [Removal and replacement: Duplexer door assembly \(duplex models\)](#)
- [Removal and replacement: Rear cover \(simplex models\)](#)
- [Removal and replacement: Rear door and rear door assembly \(simplex models\)](#)
- [Removal and replacement: Rear bottom cover \(simplex models\)](#)
- [Removal and replacement: Touchscreen control panel \(M252dw models\)](#)
- [Removal and replacement: Touchscreen control panel \(M274, M277 models\)](#)
- [Removal and replacement: Front-door assembly](#)
- [Removal and replacement: Rear door assembly \(duplex models\)](#)

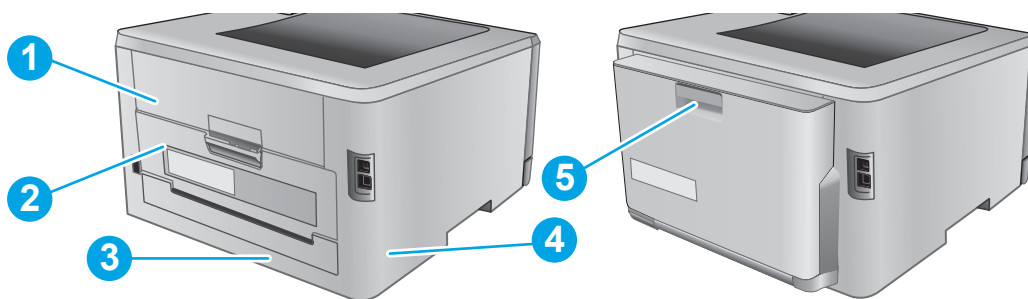
Identification and location (printer base)

Figure 1-25 Front view, M252



-
- | | |
|---|-------------|
| 1 | Top cover |
| 2 | Front door |
| 3 | Right cover |
-

Figure 1-26 Back view, M252



-
- | | |
|---|-----------------------------|
| 1 | Rear cover (simplex models) |
|---|-----------------------------|
-

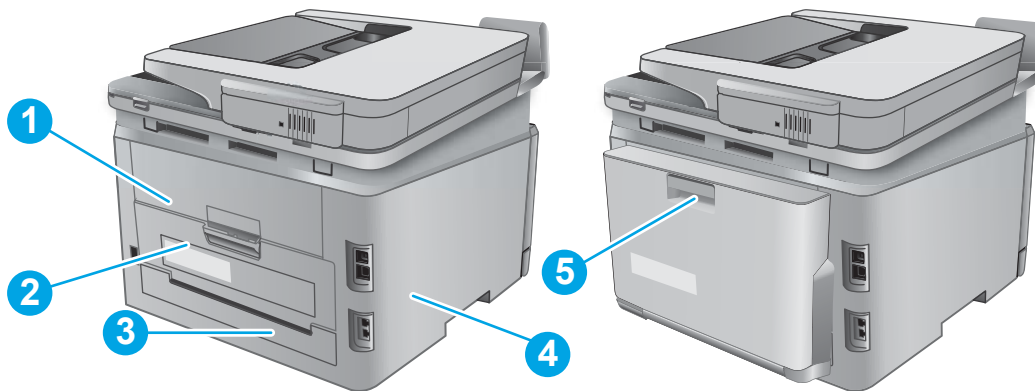
2	Rear door (simplex models)
3	Rear bottom cover (simplex models)
4	Left cover (M274 does not have fax port)
5	Duplexer (duplex models)

Figure 1-27 Front view: M274, M277



1	Top cover
2	Front door
3	Right cover

Figure 1-28 Back view: M274, M277



1	Rear cover (simplex models)
2	Rear door (simplex models)
3	Rear bottom cover (simplex models)
4	Left cover
5	Duplexer (duplex models)

Removal and replacement: Right cover


- [Introduction](#)
- [Step 1: Remove Tray 2](#)
- [Step 2: Open the front door and rear door or duplexer door](#)
- [Step 3: Remove the right cover](#)
- [Step 4: Unpack a replacement right cover](#)
- [Step 5: Install the right cover](#)
- [Step 6: Close the rear door or duplexer door and the front door](#)
- [Step 7: Install Tray 2](#)

Introduction

This document provides the procedures to remove and replace the right cover.

Before you begin

- Turn off the printer.
- Disconnect the power cable.

 **WARNING!** To avoid damage to the printer, turn the printer off, wait 30 seconds, and then remove the power cord before attempting to service the printer.

- Use the table below to identify the correct part number for your printer. To order the part, go to www.hp.com/buy/parts.

Right cover part number	
-------------------------	--

RC4-3816-000CN	Right cover
----------------	-------------

Required tools

- #2 Phillips screwdriver with a magnetic tip

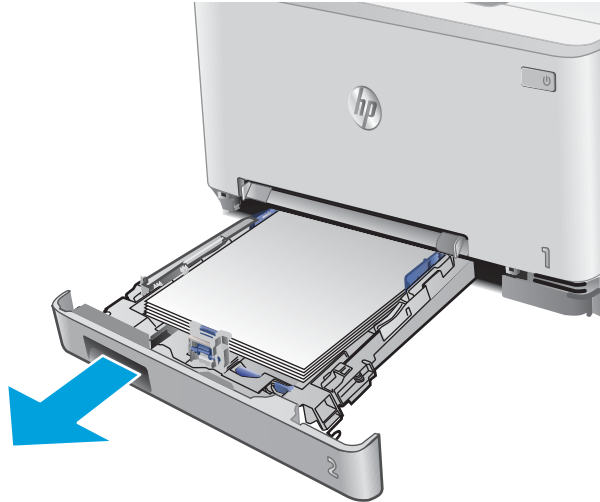
After performing service

- Connect the power cable.
- Use the power switch to turn the power on.

Step 1: Remove Tray 2

- ▲ Using the handle on the face of Tray 2, pull the tray completely out of the printer.

Figure 1-29 Remove Tray 2



Step 2: Open the front door and rear door or duplexer door

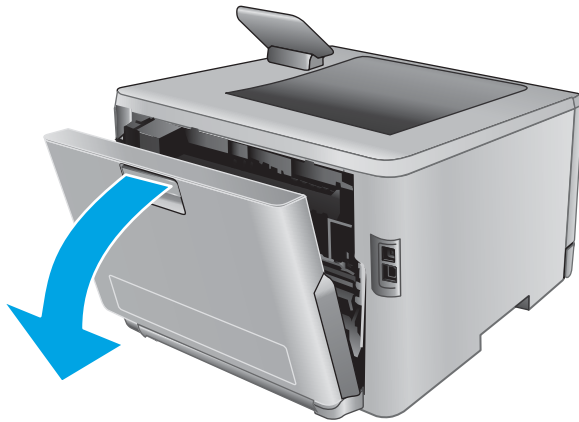
1. Open the front door.

Figure 1-30 Open the front door and rear door or duplexer door (1 of 2)



2. Use the latch release to open the rear door (simplex models) or duplexer door (duplex models).

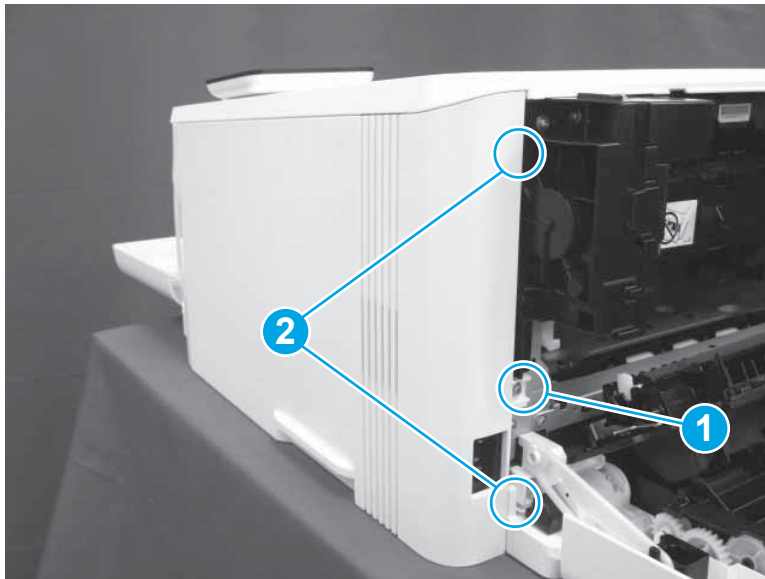
Figure 1-31 Open the front door and rear door or duplexer door (2 of 2)



Step 3: Remove the right cover

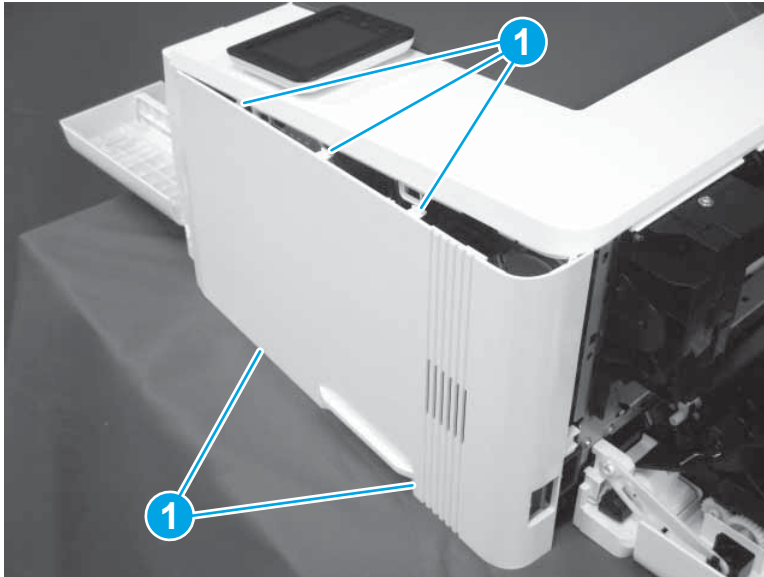
1. At the rear of the printer, remove one screw (callout 1), and then release two tabs (callout 2).

Figure 1-32 Remove the right cover (1 of 3)



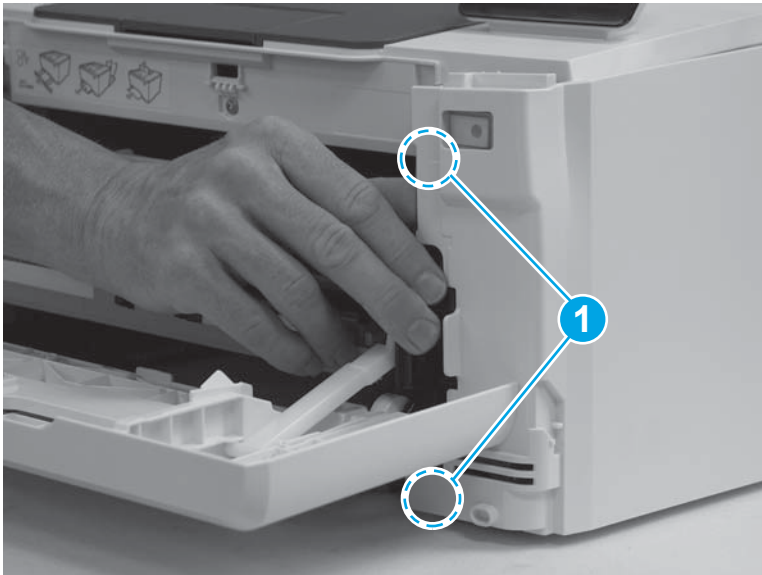
2. Release five tabs (callout 1) along the top and bottom of the cover. Releasing the top tabs first can ease this task.

Figure 1-33 Remove the right cover (2 of 3)



3. At the front of the printer, release two tabs (callout 1), and then remove the cover from the printer.

Figure 1-34 Remove the right cover (3 of 3)



Step 4: Unpack a replacement right cover

Remove the new right cover from its package. Save all packaging for recycling the used part.

For complete information on HP's recycling programs, go to <http://www8.hp.com/us/en/hp-information/environment/product-recycling.html>.


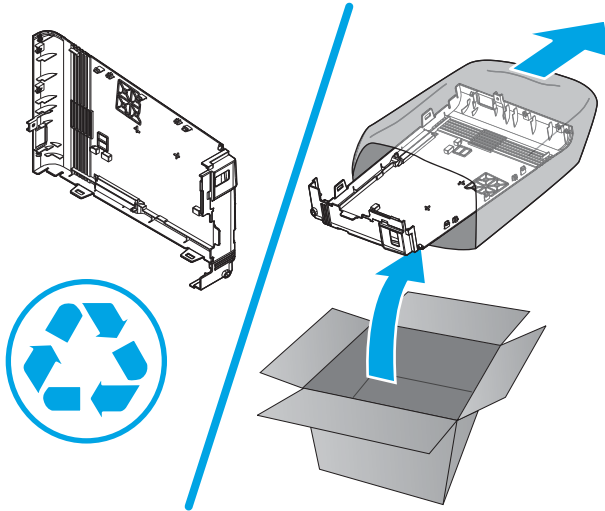
 **NOTE:** HP recommends responsible disposal of the defective assembly.

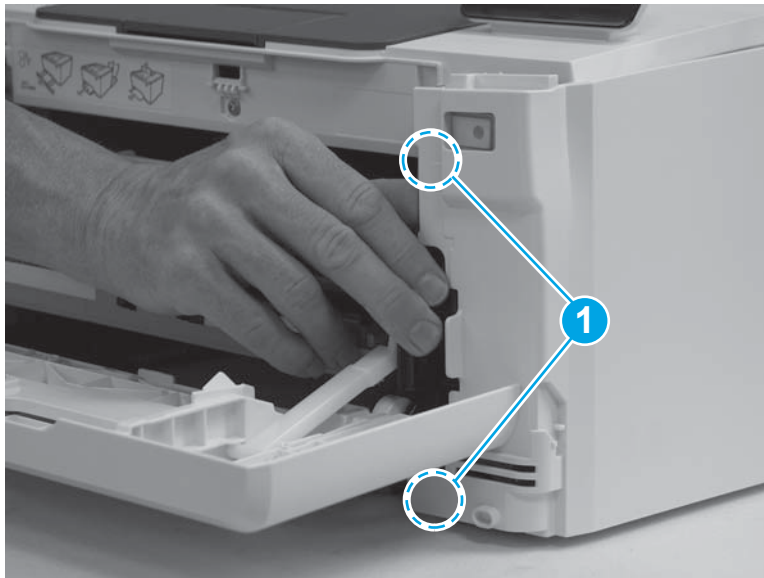
Figure 1-35 Recycle and unpack



Step 5: Install the right cover

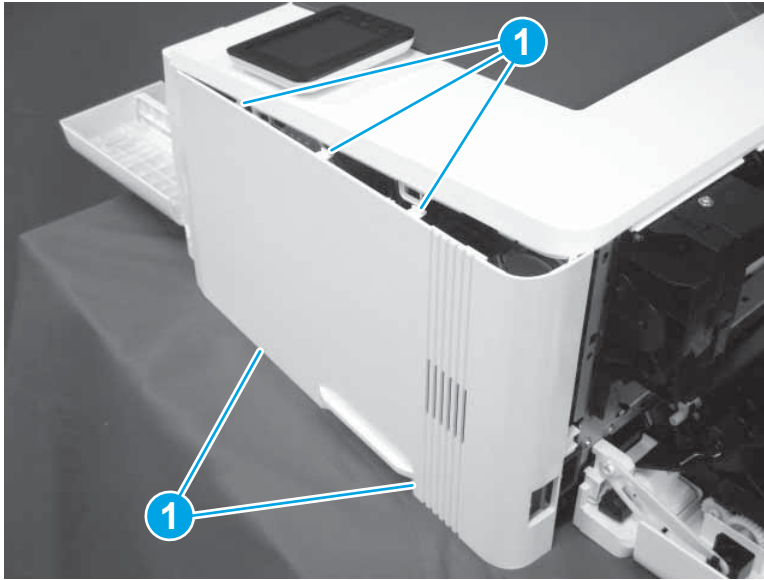
1. At the front of the printer, position two tabs (callout 1) in the chassis.

Figure 1-36 Install the right cover (1 of 3)



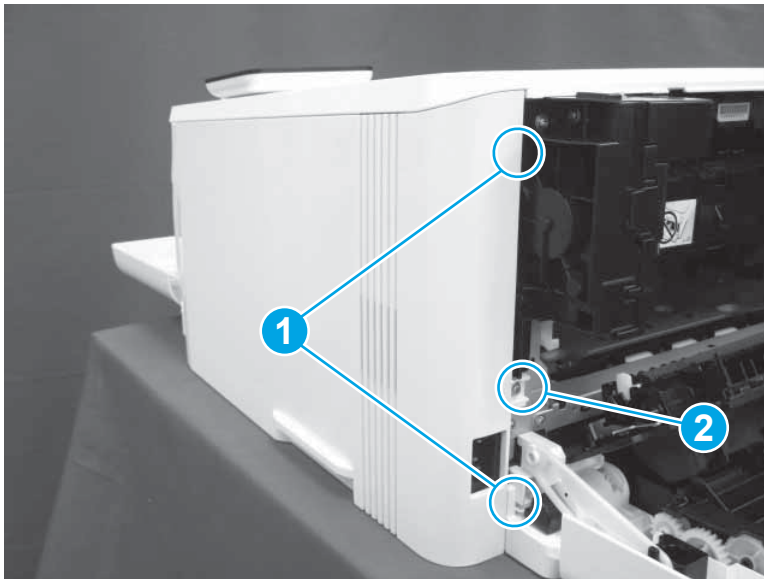
2. Moving from the front to the back, set five tabs (callout 1) along the top and bottom of the cover.

Figure 1-37 Install the right cover (2 of 3)



3. At the rear of the printer, set two tabs (callout 1), and then install one screw (callout 2).

Figure 1-38 Install the right cover (3 of 3)



Step 6: Close the rear door or duplexer door and the front door

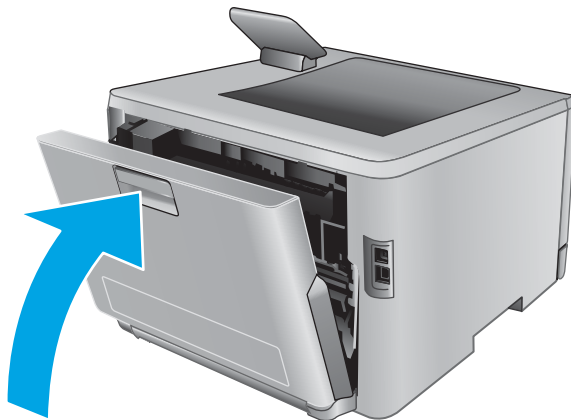
1. Close the front door.

Figure 1-39 Close the front door and rear door or duplexer door (1 of 2)



2. Close the rear door (simplex models) or duplexer door (duplex models).

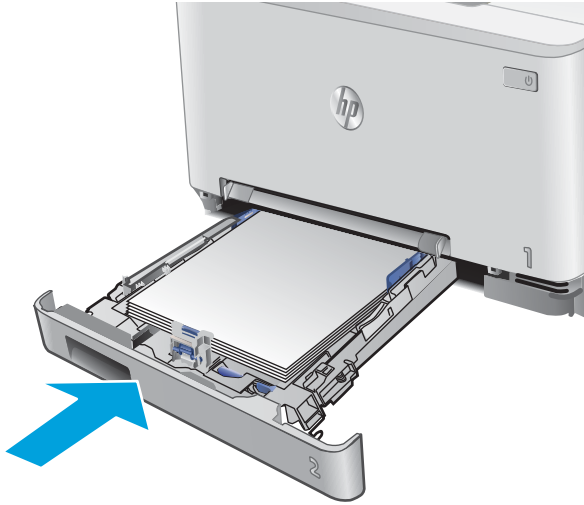
Figure 1-40 Close the front door and rear door or duplexer door (2 of 2)



Step 7: Install Tray 2

- ▲ Align Tray 2 with the tray cavity, and then push the tray into the printer.

Figure 1-41 Install Tray 2



Removal and replacement: Left cover


- [Introduction](#)
- [Step 1: Remove Tray 2](#)
- [Step 2: Open the front door and rear door or duplexer door](#)
- [Step 3: Remove the left cover](#)
- [Step 4: Unpack a replacement left cover](#)
- [Step 5: Install the left cover](#)
- [Step 6: Close the rear door or duplexer door and the front door](#)
- [Step 7: Install Tray 2](#)

Introduction

This document provides the procedures to remove and replace the left cover.

Before you begin

- Turn off the printer.
- Disconnect the power cable.

 **WARNING!** To avoid damage to the printer, turn the printer off, wait 30 seconds, and then remove the power cord before attempting to service the printer.

- Use the table below to identify the correct part number for your printer. To order the part, go to www.hp.com/buy/parts.

Left cover part numbers

RC4-3815-000CN	Left cover, M252 models
RC4-4000-000CN	Left cover, M274, M277 models

Required tools

- #2 Phillips screwdriver with a magnetic tip

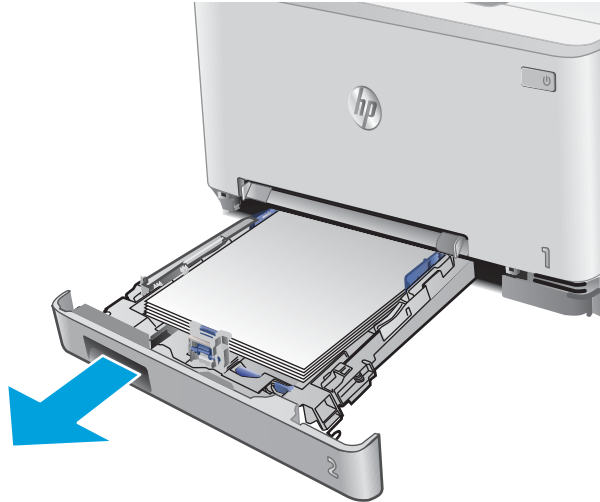
After performing service

- Connect the power cable.
- Use the power switch to turn the power on.

Step 1: Remove Tray 2

- ▲ Using the handle on the face of Tray 2, pull the tray completely out of the printer.

Figure 1-42 Remove Tray 2



Step 2: Open the front door and rear door or duplexer door

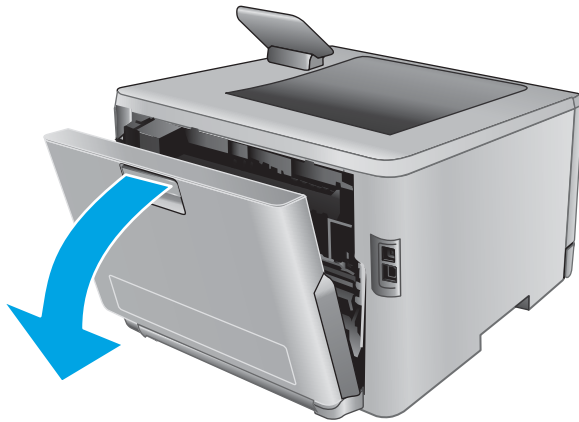
1. Open the front door.

Figure 1-43 Open the front door and rear door or duplexer door (1 of 2)



2. Use the latch release to open the rear door (simplex models) or duplexer door (duplex models).

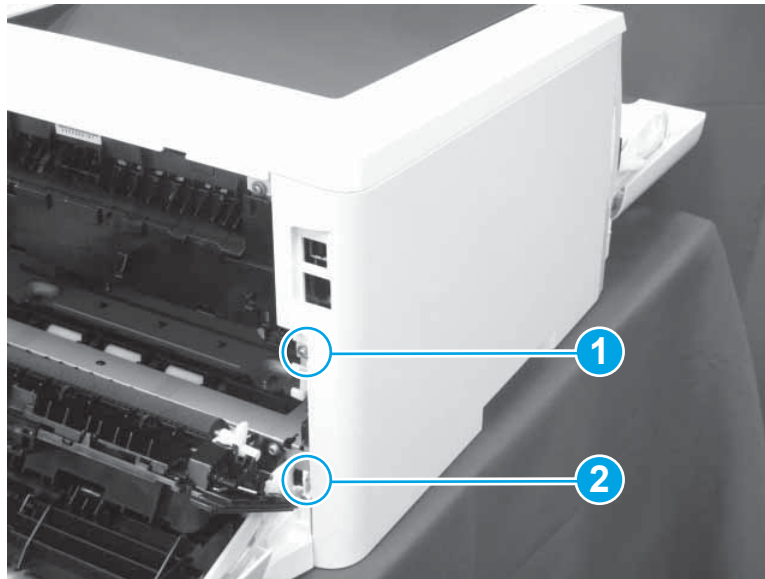
Figure 1-44 Open the front door and rear door or duplexer door (2 of 2)



Step 3: Remove the left cover

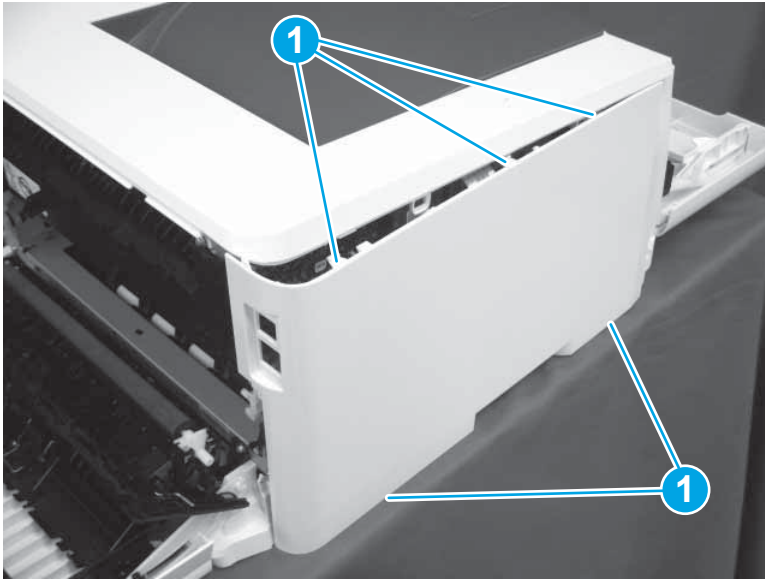
1. At the rear of the printer, remove one screw (callout 1), and then release one tab (callout 2).

Figure 1-45 Remove the left cover (1 of 3)



2. Starting at the top edge, release five tabs (callout 1)

Figure 1-46 Remove the left cover (2 of 3)



3. Move the printer so that the left cover is over the edge of the work surface. Pull the top of the cover down at approximately 45-degree angle to remove it.

Figure 1-47 Remove the left cover (3 of 3)



Step 4: Unpack a replacement left cover

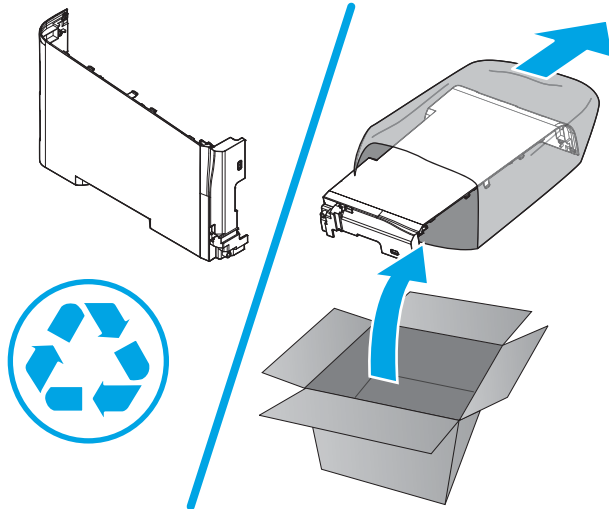
Remove the new left cover from its package. Save all packaging for recycling the used part.

For complete information on HP's recycling programs, go to <http://www8.hp.com/us/en/hp-information/environment/product-recycling.html>.



NOTE: HP recommends responsible disposal of the defective assembly.

Figure 1-48 Recycle and unpack



Step 5: Install the left cover

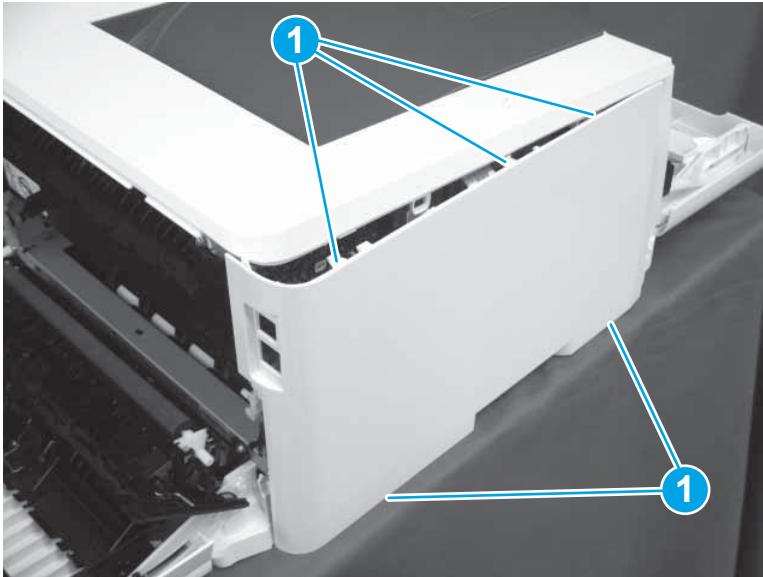
1. Engage the bottom front cover tab in the chassis, and then raise the top part of the cover to set the front tabs in place.

Figure 1-49 Install the left cover (1 of 3)



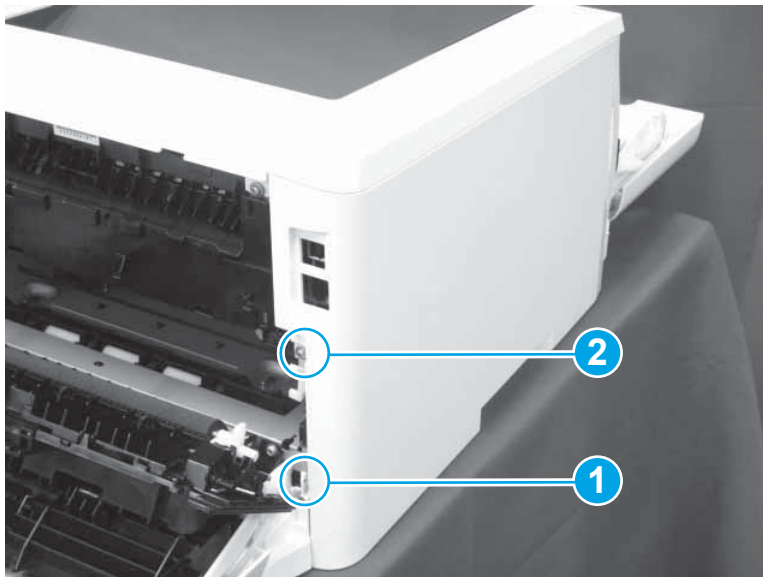
2. Working from the front edge to the back edge, engage five tabs (callout 1) along the top and bottom of the cover.

Figure 1-50 Install the left cover (2 of 3)



3. At the rear of the printer, engage one tab (callout 1), and then install one screw (callout 2).

Figure 1-51 Install the left cover (3 of 3)



Step 6: Close the rear door or duplexer door and the front door

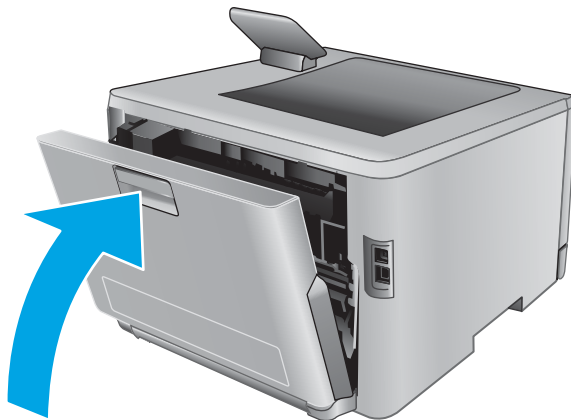
1. Close the front door.

Figure 1-52 Close the front door and rear door or duplexer door (1 of 2)



2. Close the rear door (simplex models) or duplexer door (duplex models).

Figure 1-53 Close the front door and rear door or duplexer door (2 of 2)



Step 7: Install Tray 2

- ▲ Align Tray 2 with the tray cavity, and then push the tray into the printer.

Figure 1-54 Install Tray 2



Removal and replacement: Top cover, M252n models

- [Introduction](#)
- [Step 1: Remove Tray 2](#)
- [Step 2: Open the front door and rear door](#)
- [Step 3: Remove the right cover](#)
- [Step 4: Remove the left cover](#)
- [Step 5: Remove the rear cover](#)
- [Step 6: Remove the M252n top cover](#)
- [Step 7: Unpack a replacement top cover](#)
- [Step 8: Install the M252n top cover](#)
- [Step 9: Install the left cover](#)
- [Step 10: Install the right cover](#)
- [Step 11: Close the front door and rear door](#)
- [Step 12: Install Tray 2](#)

Introduction

This document provides the procedures to remove and replace the M252n top cover.



NOTE: The M252n top cover assembly includes the 2-line control panel.

Before you begin

- Turn off the printer.
- Disconnect the power cable.

WARNING! To avoid damage to the printer, turn the printer off, wait 30 seconds, and then remove the power cord before attempting to service the printer.

- Use the table below to identify the correct part number for your printer. To order the part, go to www.hp.com/buy/parts.

M252n top cover part number	
-----------------------------	--

RM2-5596-000CN	M252n top cover
----------------	-----------------

Required tools

- #2 Phillips screwdriver with a magnetic tip
- Small flat-blade screwdriver

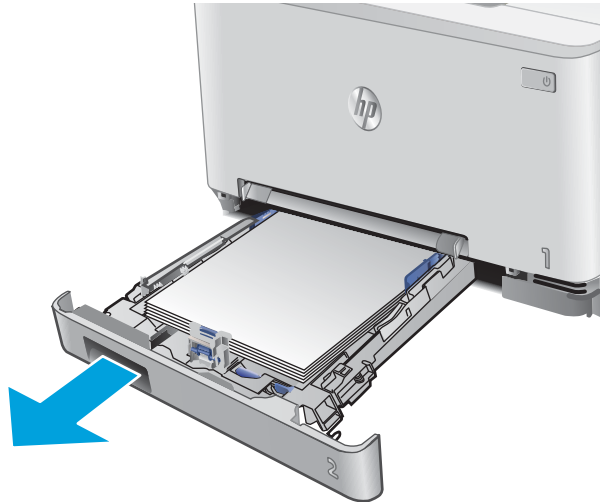
After performing service

- Connect the power cable.
- Use the power switch to turn the power on.

Step 1: Remove Tray 2

- ▲ Using the handle on the face of Tray 2, pull the tray completely out of the printer.

Figure 1-55 Remove Tray 2



Step 2: Open the front door and rear door

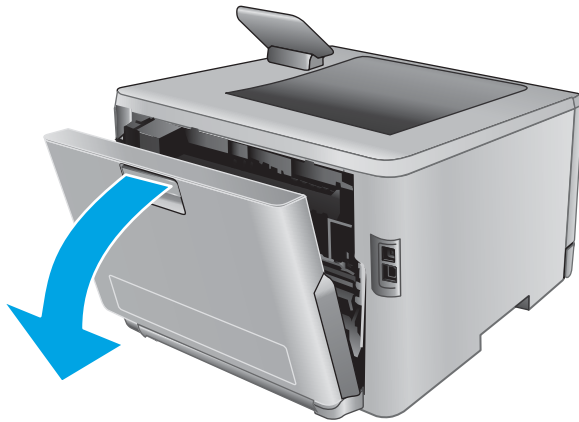
1. Open the front door.

Figure 1-56 Open the front door and rear door or duplexer door (1 of 2)



2. Use the latch release to open the rear door (simplex models) or duplexer door (duplex models).

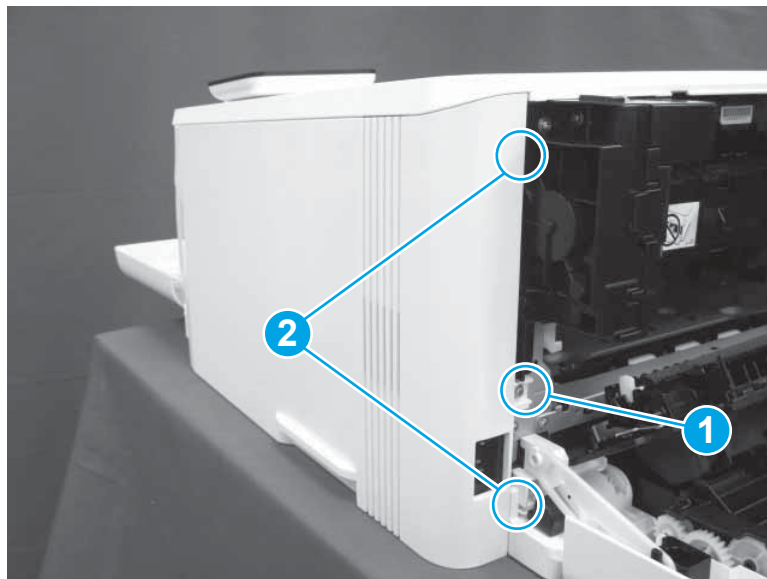
Figure 1-57 Open the front door and rear door or duplexer door (2 of 2)



Step 3: Remove the right cover

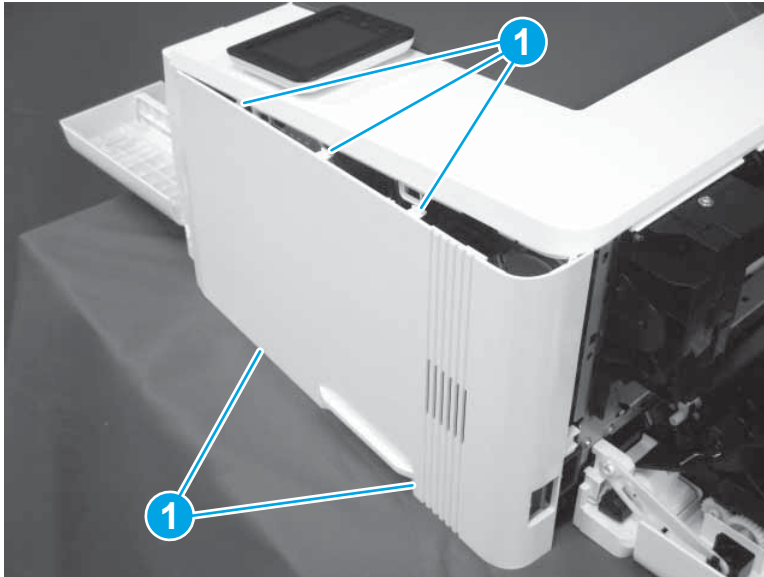
1. At the rear of the printer, remove one screw (callout 1), and then release two tabs (callout 2).

Figure 1-58 Remove the right cover (1 of 3)



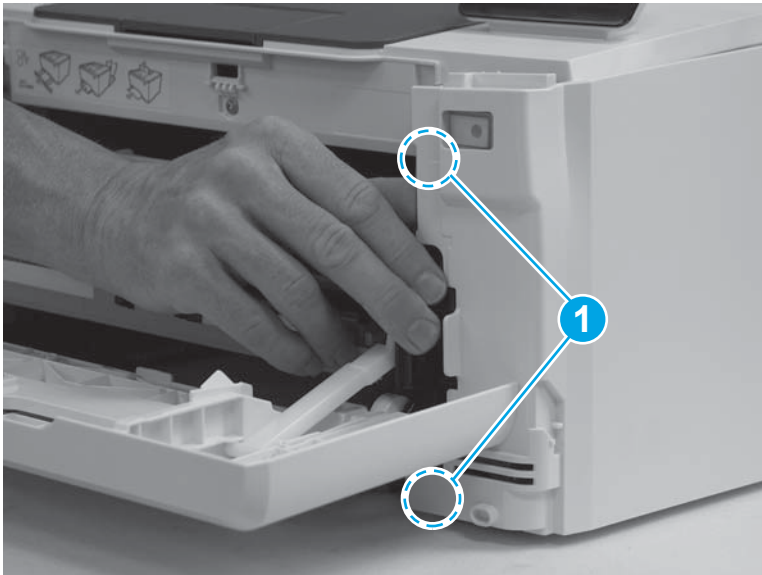
2. Release five tabs (callout 1) along the top and bottom of the cover. Releasing the top tabs first can ease this task.

Figure 1-59 Remove the right cover (2 of 3)



3. At the front of the printer, release two tabs (callout 1), and then remove the cover from the printer.

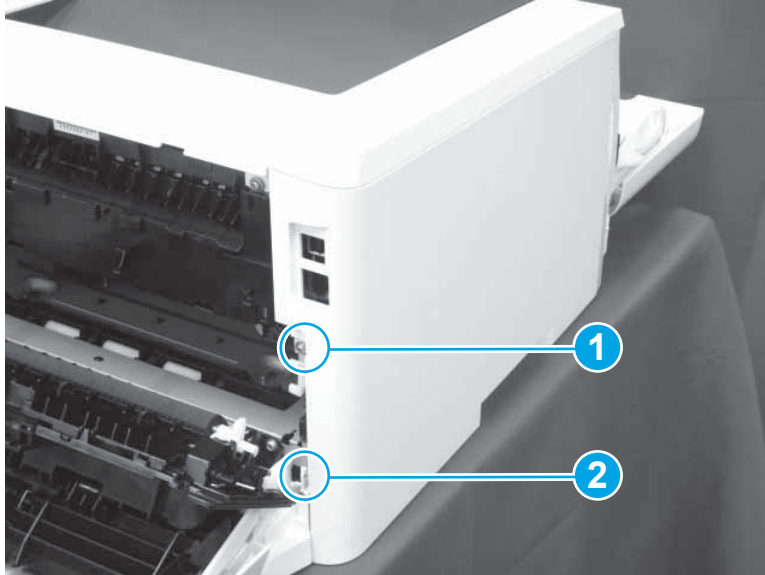
Figure 1-60 Remove the right cover (3 of 3)



Step 4: Remove the left cover

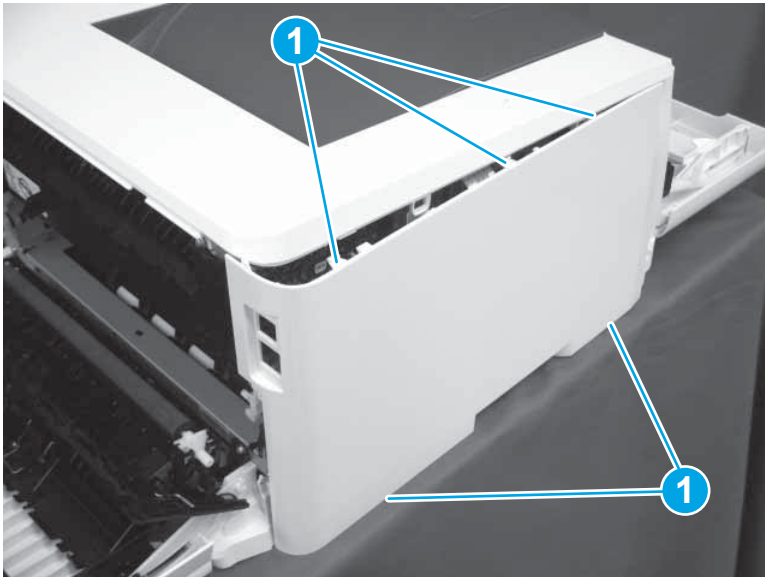
1. At the rear of the printer, remove one screw (callout 1), and then release one tab (callout 2).

Figure 1-61 Remove the left cover (1 of 3)



2. Starting at the top edge, release five tabs (callout 1)

Figure 1-62 Remove the left cover (2 of 3)



3. Move the printer so that the left cover is over the edge of the work surface. Pull the top of the cover down at approximately 45-degree angle to remove it.

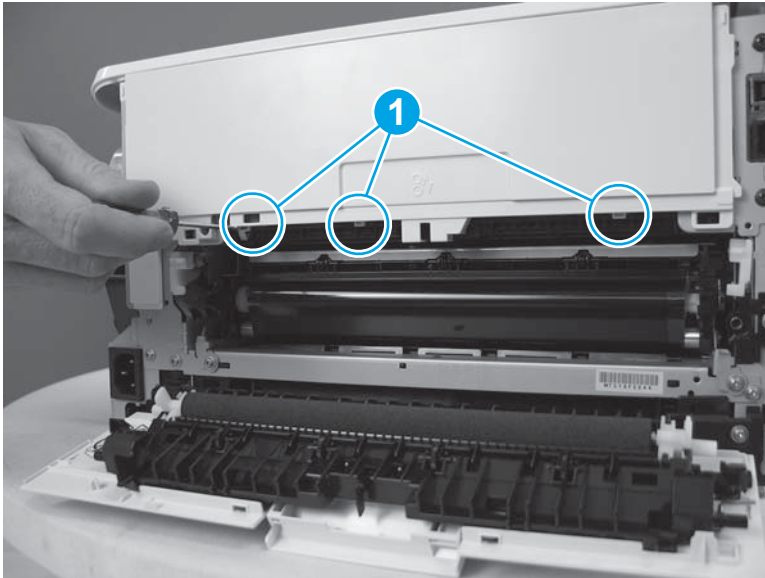
Figure 1-63 Remove the left cover (3 of 3)



Step 5: Remove the rear cover

- ▲ On the rear cover, open the rear door, and then use a small flat-blade screwdriver to release three tabs (callout 1) at the bottom of the cover, and then pull the cover down and away from the chassis.

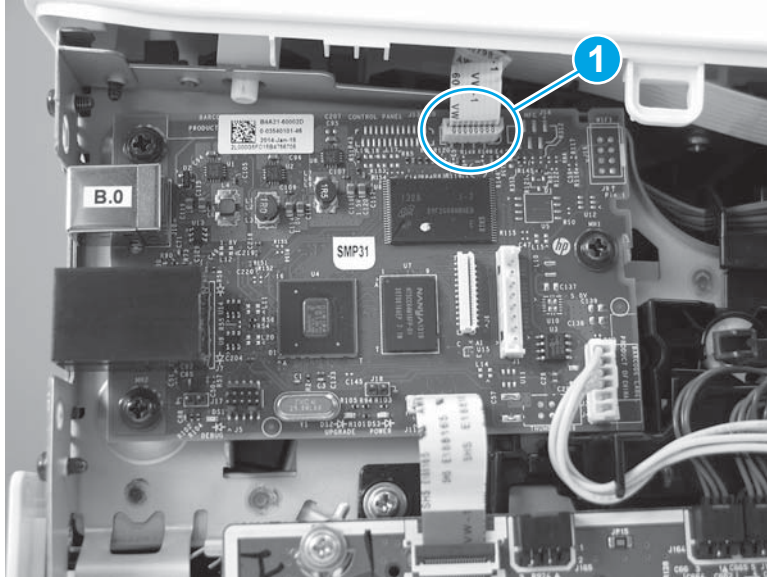
Figure 1-64 Remove the simplex model rear cover



Step 6: Remove the M252n top cover

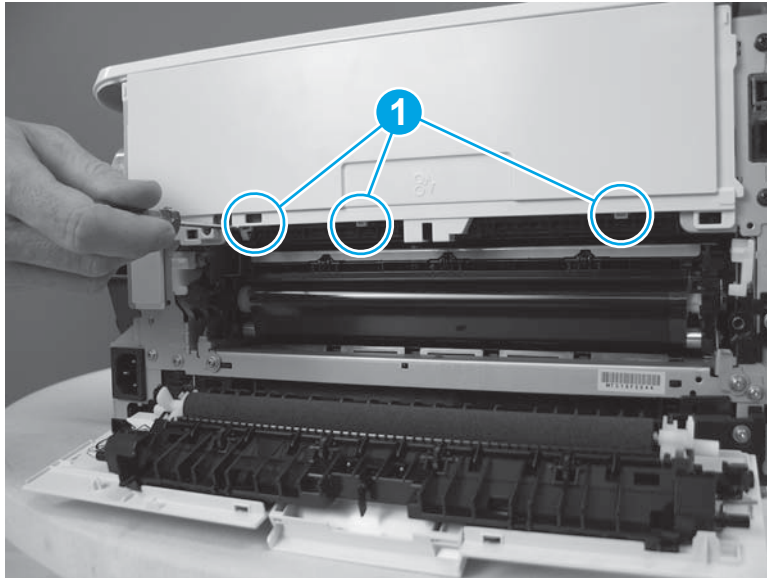
1. On the left side of the printer, on the formatter, disconnect one connector (callout 1).

Figure 1-65 Remove the M252n top cover (1 of 4)



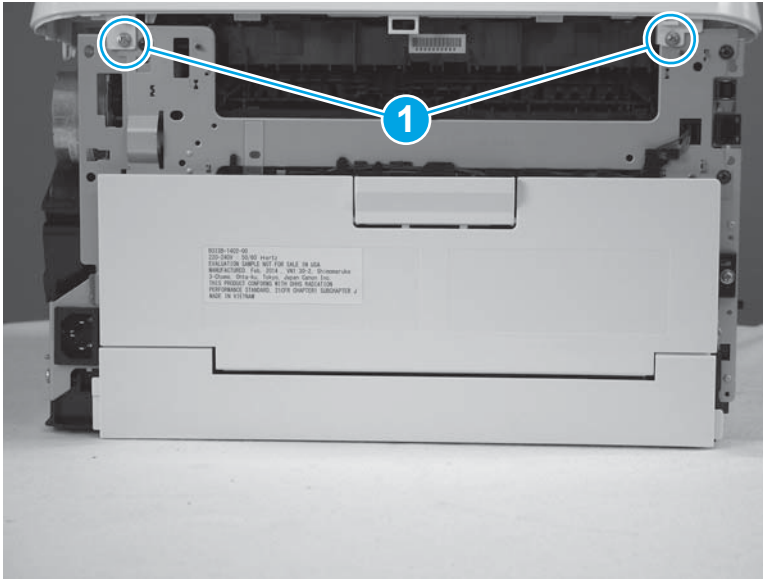
2. On the rear side of the printer, open the rear door, and then remove the upper rear cover by releasing three tabs (callout 1) with a flat-blade screwdriver.

Figure 1-66 Remove the M252n top cover (2 of 4)



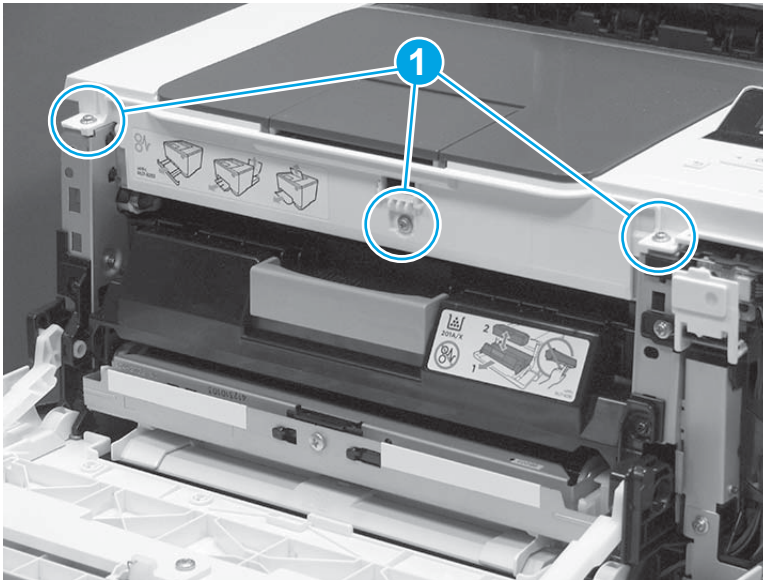
3. Remove two screws (callout 1).

Figure 1-67 Remove the M252n top cover (3 of 4)



4. At the front of the printer, remove three screws (callout 1), and then lift the cover away from the printer.

Figure 1-68 Remove the M252n top cover (4 of 4)



Step 7: Unpack a replacement top cover

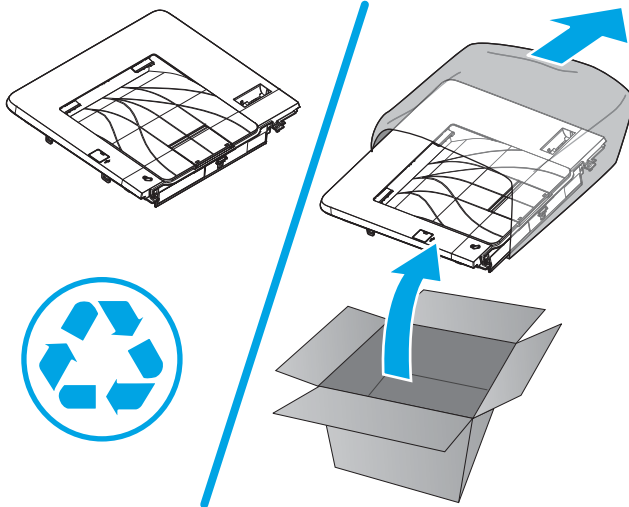
Remove the new top cover from its package. Save all packaging for recycling the used part.

For complete information on HP's recycling programs, go to <http://www8.hp.com/us/en/hp-information/environment/product-recycling.html>.



NOTE: HP recommends responsible disposal of the defective assembly.

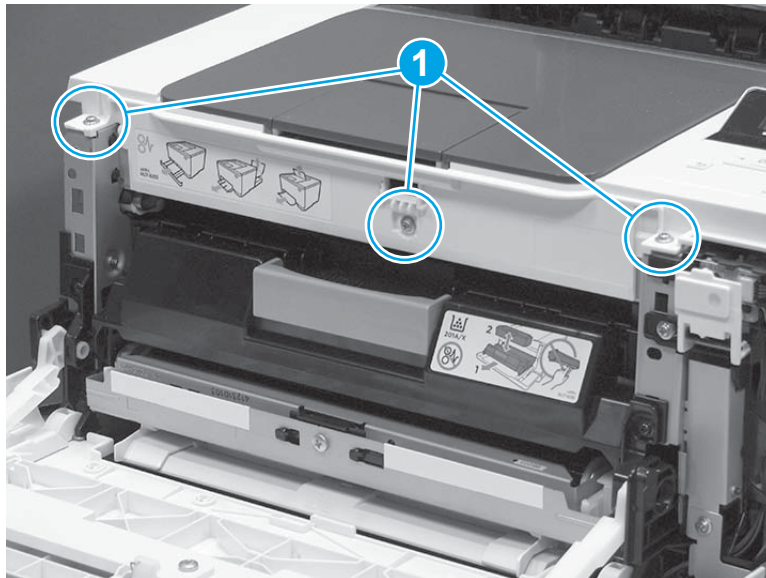
Figure 1-69 Recycle and unpack



Step 8: Install the M252n top cover

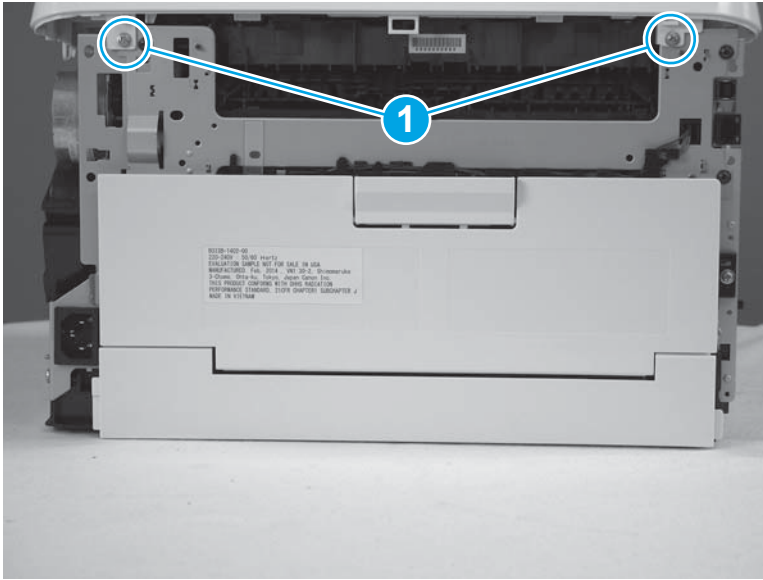
1. At the front of the printer, set the cover in place, and then install three screws (callout 1).

Figure 1-70 Install the M252n top cover (1 of 4)



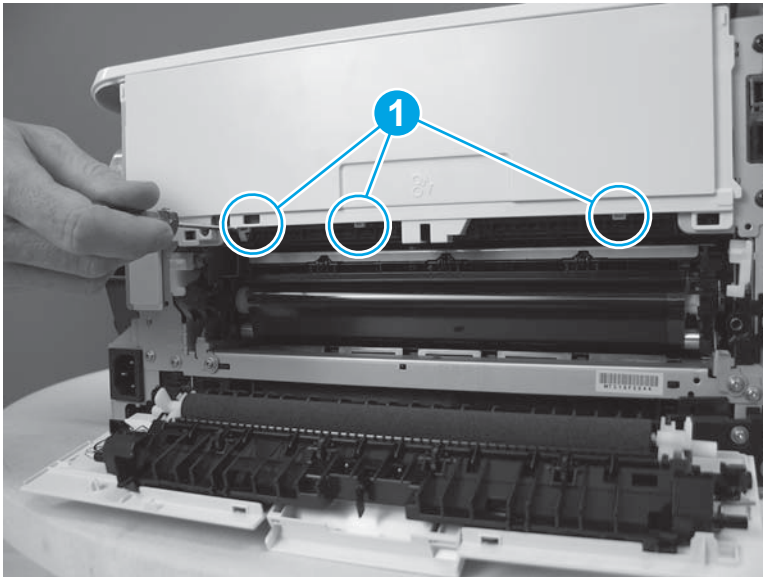
2. On the rear side of the printer, install two screws (callout 1).

Figure 1-71 Install the M252n top cover (2 of 4)



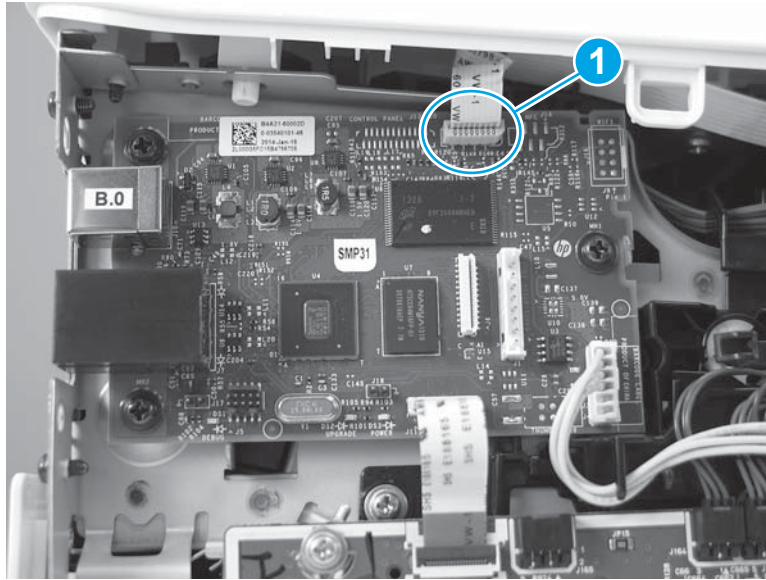
3. Open the rear door, and then install the upper rear cover by engaging three tabs (callout 1) at the bottom of the cover.

Figure 1-72 Install the M252n top cover (3 of 4)



4. On the left side of the printer, on the formatter, connect one connector (callout 1).

Figure 1-73 Install the M252n top cover (4 of 4)



Step 9: Install the left cover

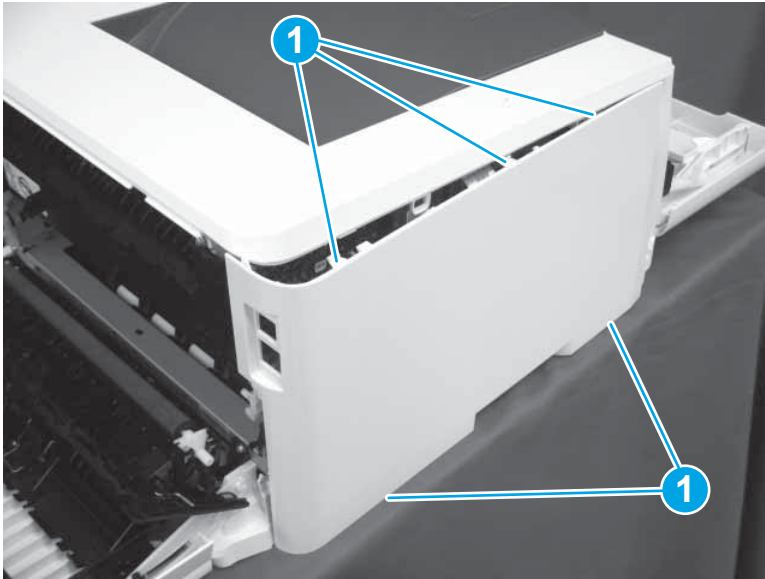
1. Engage the bottom front cover tab in the chassis, and then raise the top part of the cover to set the front tabs in place.

Figure 1-74 Install the left cover (1 of 3)



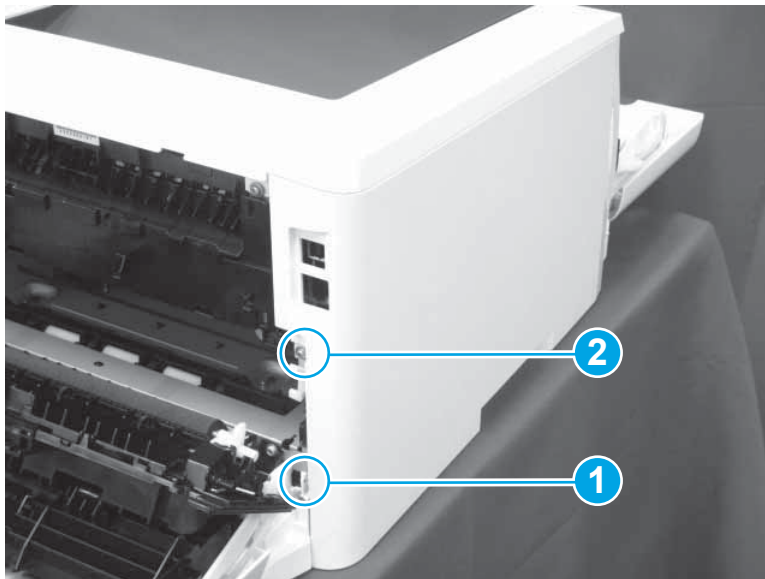
2. Working from the front edge to the back edge, engage five tabs (callout 1) along the top and bottom of the cover.

Figure 1-75 Install the left cover (2 of 3)



3. At the rear of the printer, engage one tab (callout 1), and then install one screw (callout 2).

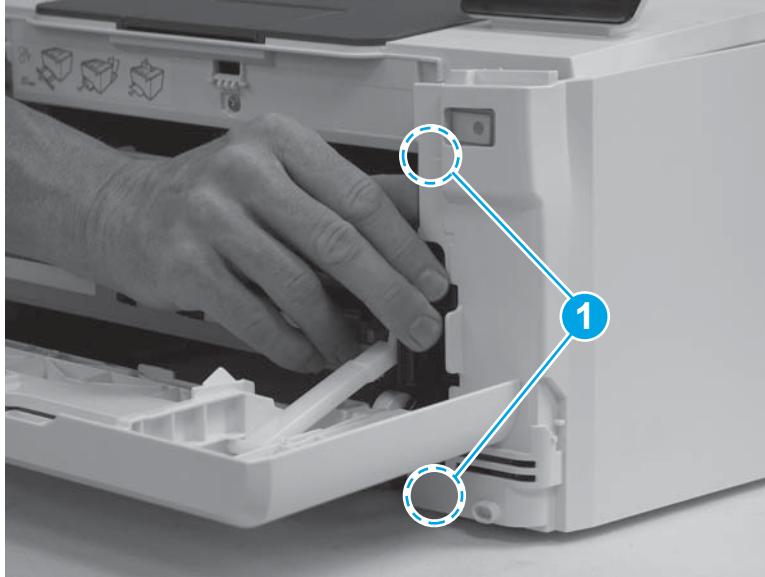
Figure 1-76 Install the left cover (3 of 3)



Step 10: Install the right cover

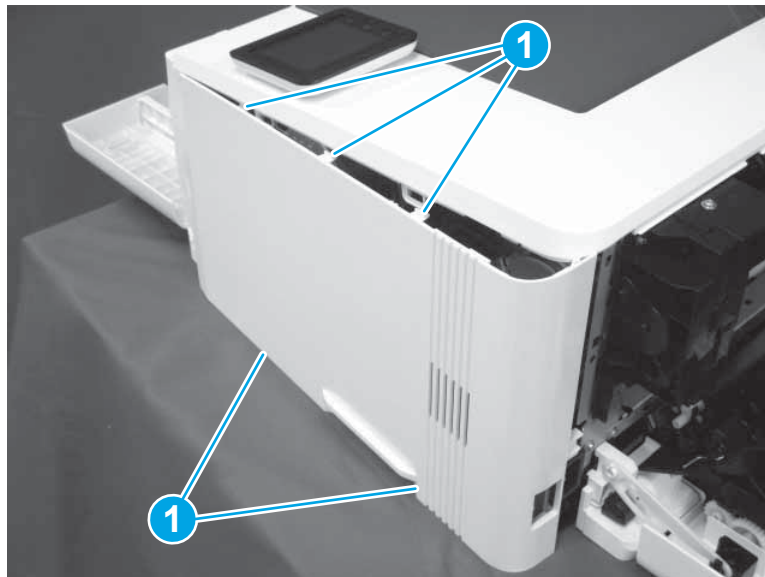
1. At the front of the printer, position two tabs (callout 1) in the chassis.

Figure 1-77 Install the right cover (1 of 3)



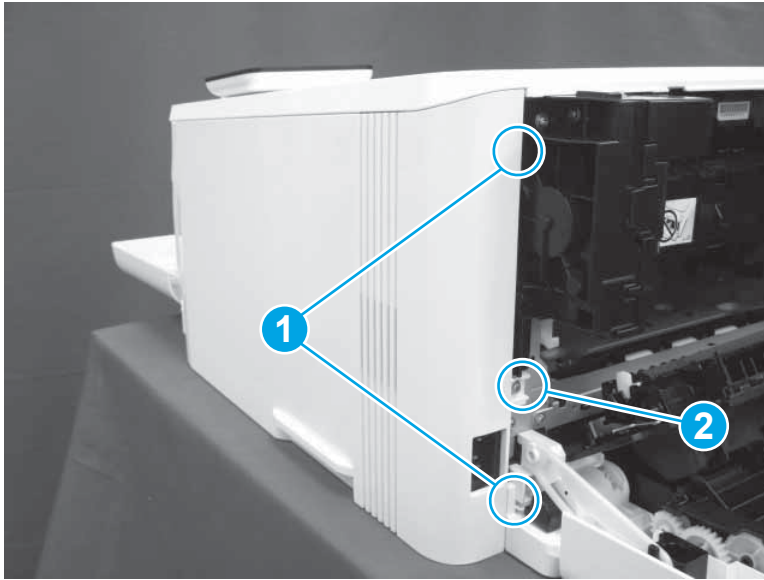
2. Moving from the front to the back, set five tabs (callout 1) along the top and bottom of the cover.

Figure 1-78 Install the right cover (2 of 3)



3. At the rear of the printer, set two tabs (callout 1), and then install one screw (callout 2).

Figure 1-79 Install the right cover (3 of 3)



Step 11: Close the front door and rear door

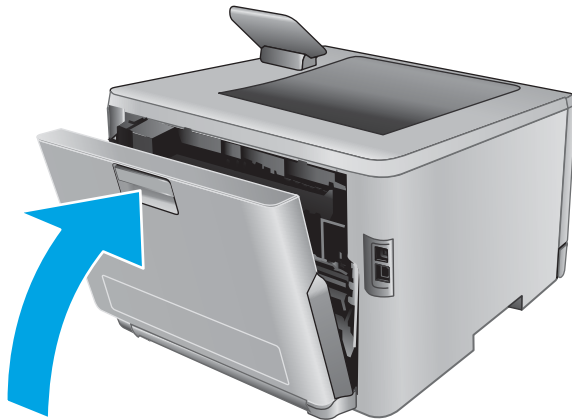
1. Close the front door.

Figure 1-80 Close the front door and rear door or duplexer door (1 of 2)



2. Close the rear door (simplex models) or duplexer door (duplex models).

Figure 1-81 Close the front door and rear door or duplexer door (2 of 2)



Step 12: Install Tray 2

- ▲ Align Tray 2 with the tray cavity, and then push the tray into the printer.

Figure 1-82 Install Tray 2



Removal and replacement: Top cover, M252dw models


- [Introduction](#)
- [Step 1: Remove Tray 2](#)
- [Step 2: Open the front door and rear door or duplexer door](#)
- [Step 3: Remove the right cover](#)
- [Step 4: Remove the left cover](#)
- [Step 5: Remove the M252dw top cover](#)
- [Step 6: Unpack a replacement top cover](#)
- [Step 7: Install the M252dw top cover](#)
- [Step 8: Install the left cover](#)
- [Step 9: Install the right cover](#)
- [Step 10: Close the front door and rear door or duplexer door](#)
- [Step 11: Install Tray 2](#)

Introduction

This document provides the procedures to remove and replace the M252dw top cover.

Before you begin

- Turn off the printer.
- Disconnect the power cable.

 **WARNING!** To avoid damage to the printer, turn the printer off, wait 30 seconds, and then remove the power cord before attempting to service the printer.

- Use the table below to identify the correct part number for your printer. To order the part, go to www.hp.com/buy/parts.

M252dw top cover part number	
RM2-5908-000CN	M252dw top cover

Required tools

- #2 Phillips screwdriver with a magnetic tip

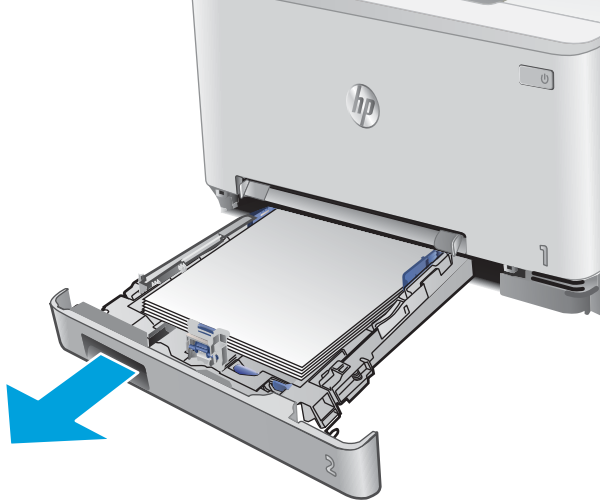
After performing service

- Connect the power cable.
- Use the power switch to turn the power on.

Step 1: Remove Tray 2

- ▲ Using the handle on the face of Tray 2, pull the tray completely out of the printer.

Figure 1-83 Remove Tray 2



Step 2: Open the front door and rear door or duplexer door

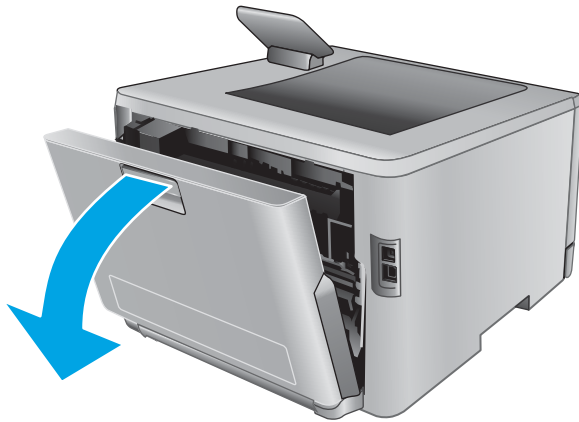
1. Open the front door.

Figure 1-84 Open the front door and rear door or duplexer door (1 of 2)



2. Use the latch release to open the rear door (simplex models) or duplexer door (duplex models).

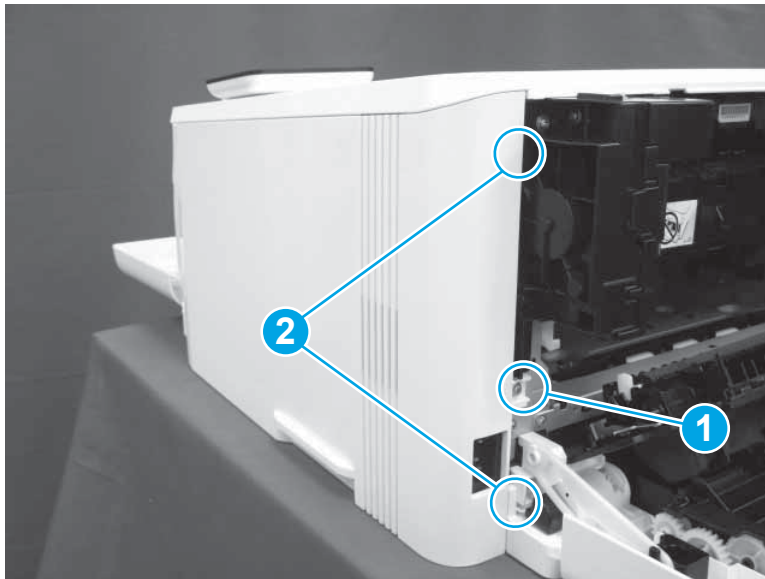
Figure 1-85 Open the front door and rear door or duplexer door (2 of 2)



Step 3: Remove the right cover

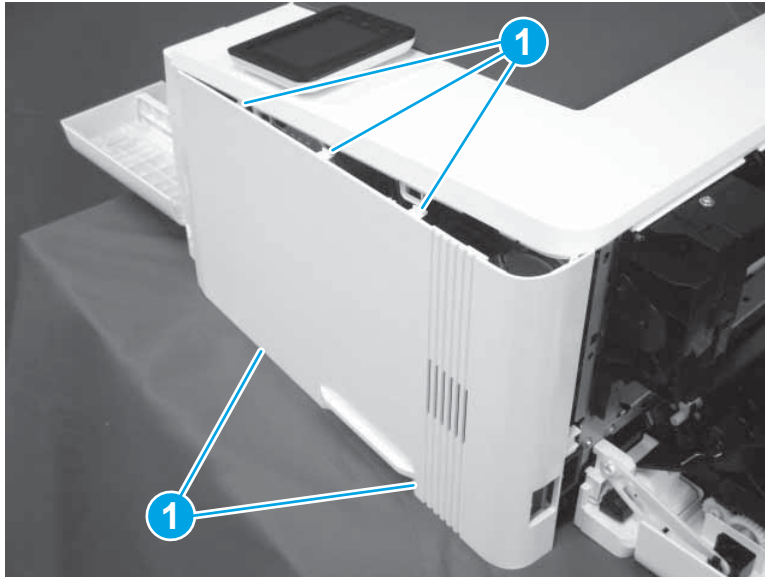
1. At the rear of the printer, remove one screw (callout 1), and then release two tabs (callout 2).

Figure 1-86 Remove the right cover (1 of 3)



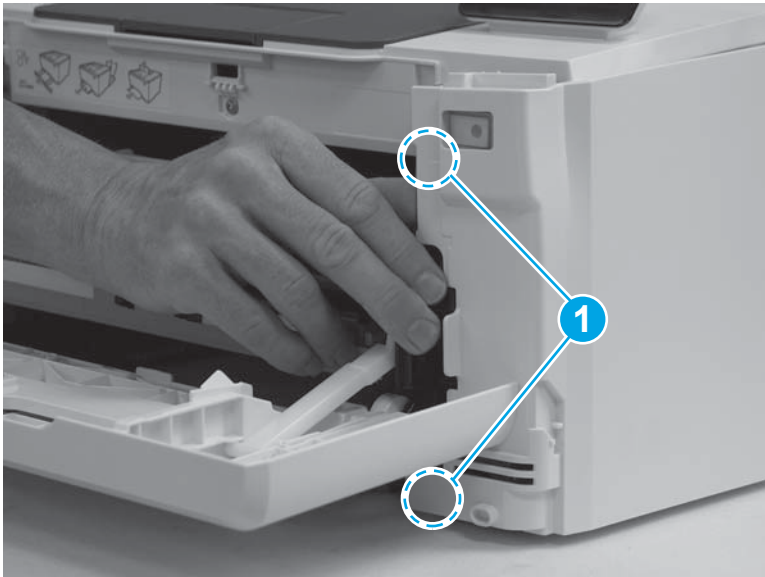
2. Release five tabs (callout 1) along the top and bottom of the cover. Releasing the top tabs first can ease this task.

Figure 1-87 Remove the right cover (2 of 3)



3. At the front of the printer, release two tabs (callout 1), and then remove the cover from the printer.

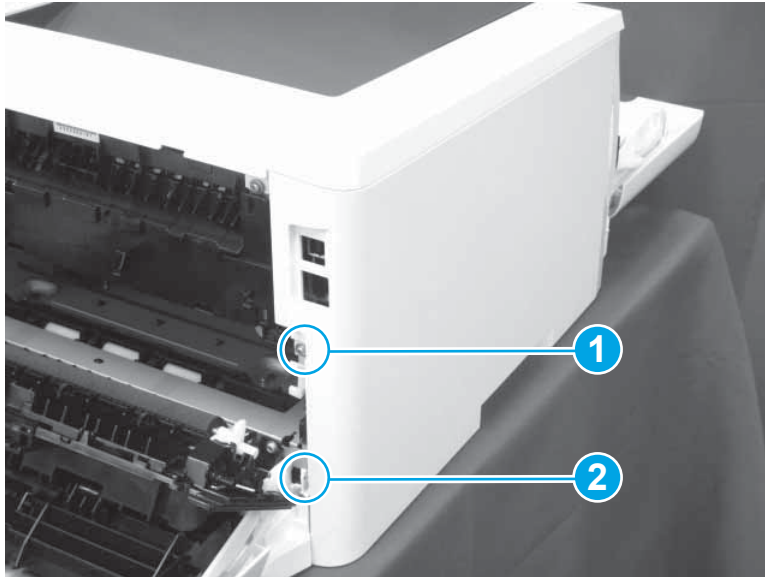
Figure 1-88 Remove the right cover (3 of 3)



Step 4: Remove the left cover

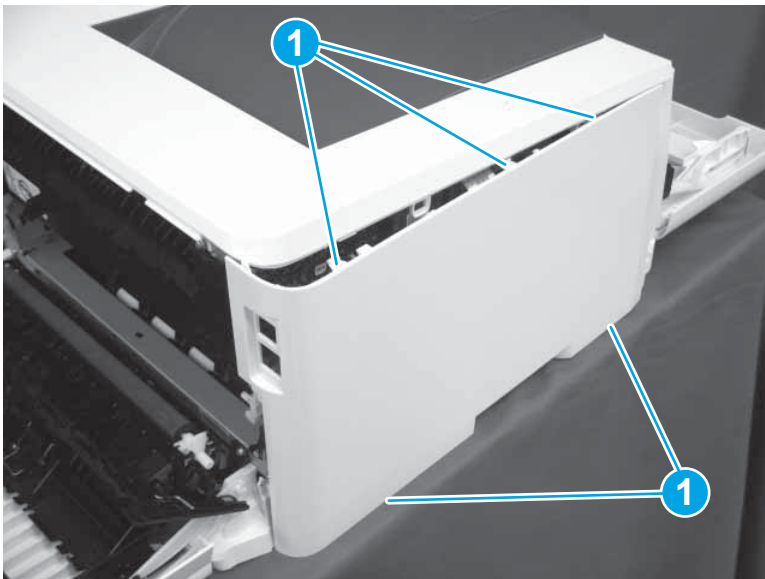
1. At the rear of the printer, remove one screw (callout 1), and then release one tab (callout 2).

Figure 1-89 Remove the left cover (1 of 3)



2. Starting at the top edge, release five tabs (callout 1)

Figure 1-90 Remove the left cover (2 of 3)



3. Move the printer so that the left cover is over the edge of the work surface. Pull the top of the cover down at approximately 45-degree angle to remove it.

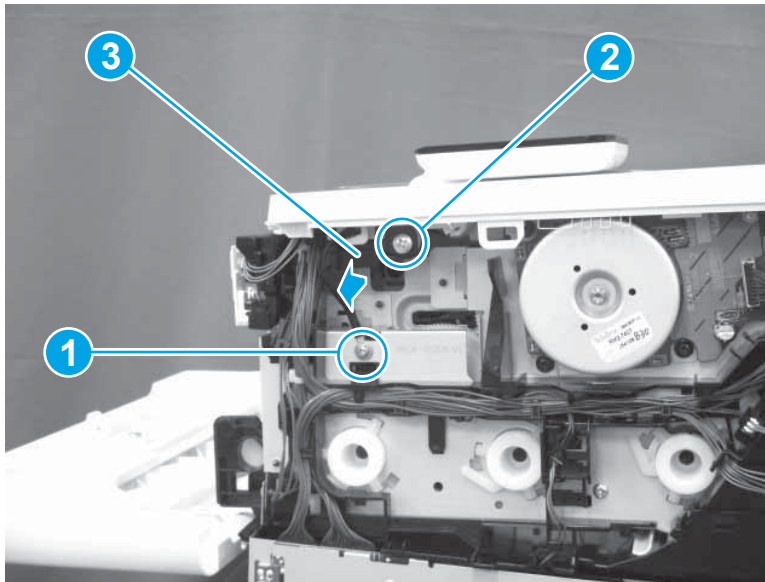
Figure 1-91 Remove the left cover (3 of 3)



Step 5: Remove the M252dw top cover

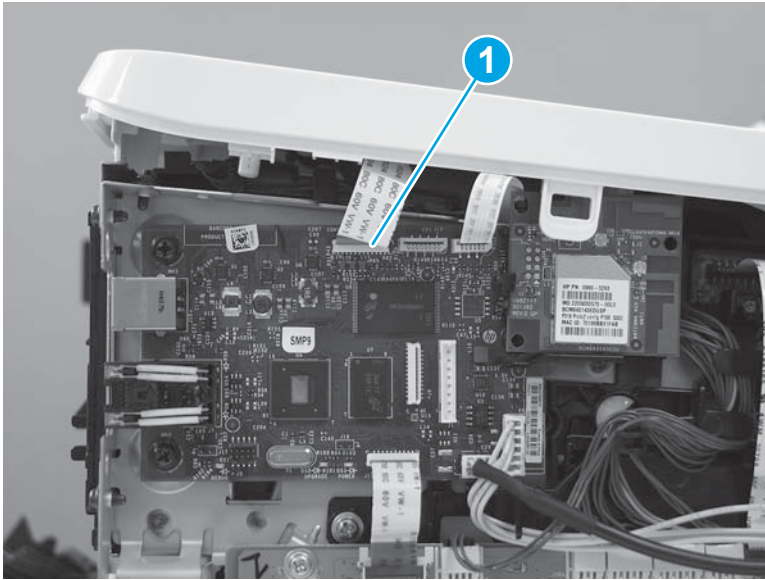
1. On the right side of the printer, remove one screw (callout 1), remove one larger M4 tapping screw (callout 2), and pull the plastic guide (callout 3) away from the printer to separate it from the chassis.

Figure 1-92 Remove the M252dw top cover (1 of 3)



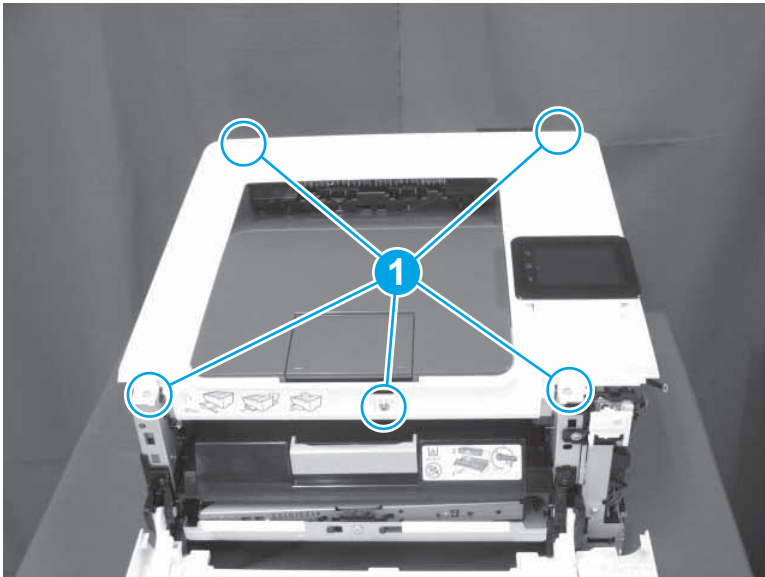
2. On the left side of the printer, on the formatter PCA, disconnect one flat cable (callout 1).

Figure 1-93 Remove the M252dw top cover (2 of 3)



3. Remove five screws (callout 1) — three screws at the front and two screws at the rear — and then remove the cover.

Figure 1-94 Remove the M252dw top cover (3 of 3)



Step 6: Unpack a replacement top cover

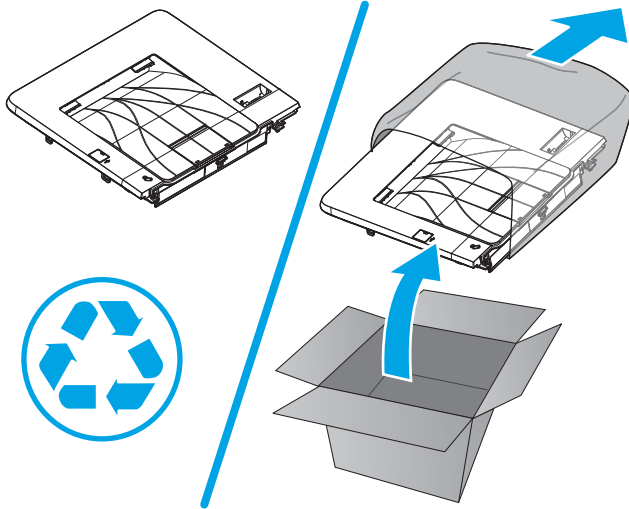
Remove the new top cover from its package. Save all packaging for recycling the used part.

For complete information on HP's recycling programs, go to <http://www8.hp.com/us/en/hp-information/environment/product-recycling.html>.



NOTE: HP recommends responsible disposal of the defective assembly.

Figure 1-95 Recycle and unpack



Step 7: Install the M252dw top cover

1. Set the cover in place, and then install five screws (callout 1) — three screws at the front and two screws at the rear.


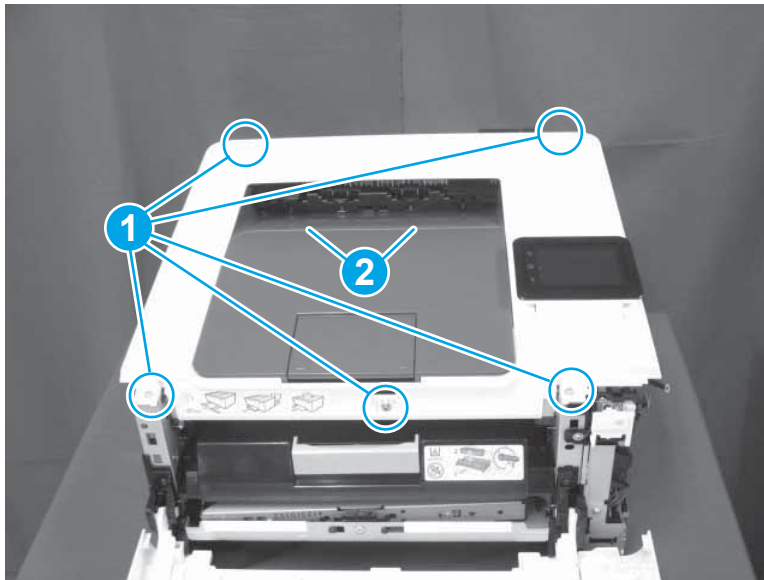
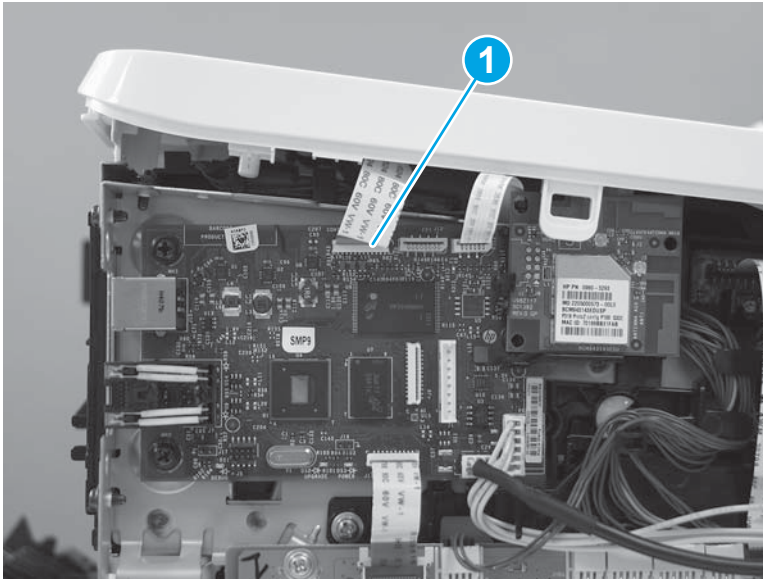
 **IMPORTANT:** Before installing the screws, press down along the rear edge of the cover (callout 2) to engage two retaining tabs (the tabs should snap into place).

Figure 1-96 Install the M252dw top cover (1 of 3)



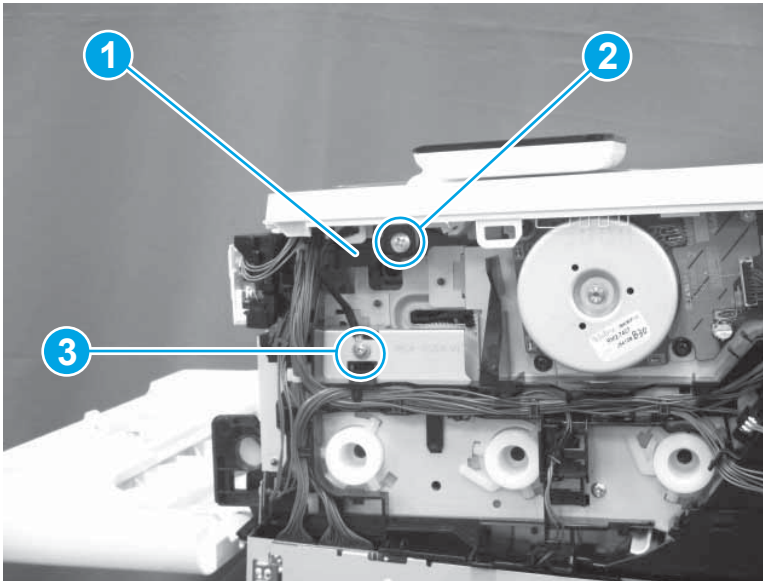
2. On the left side of the printer, on the formatter PCA, connect one flat cable (callout 1).

Figure 1-97 Install the M252dw top cover (2 of 3)



3. On the right side of the printer, push the plastic guide (callout 1) into the chassis, install one M4 tapping screw (callout 2), and install one screw (callout 3) to fasten the ground wire to the chassis.

Figure 1-98 Install the M252dw top cover (3 of 3)



Step 8: Install the left cover

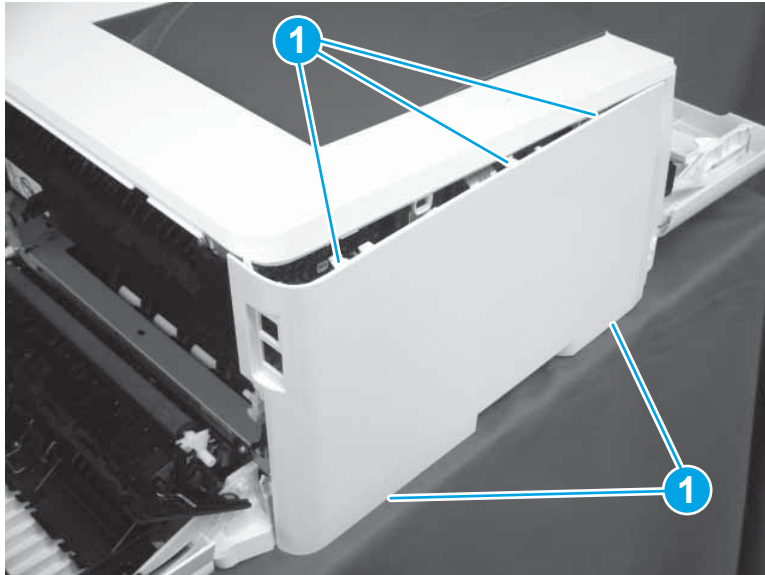
1. Engage the bottom front cover tab in the chassis, and then raise the top part of the cover to set the front tabs in place.

Figure 1-99 Install the left cover (1 of 3)



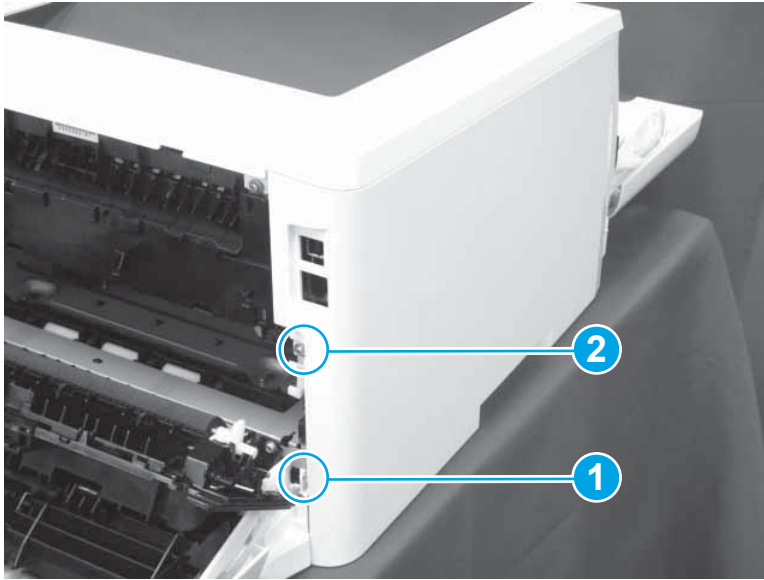
2. Working from the front edge to the back edge, engage five tabs (callout 1) along the top and bottom of the cover.

Figure 1-100 Install the left cover (2 of 3)



3. At the rear of the printer, engage one tab (callout 1), and then install one screw (callout 2).

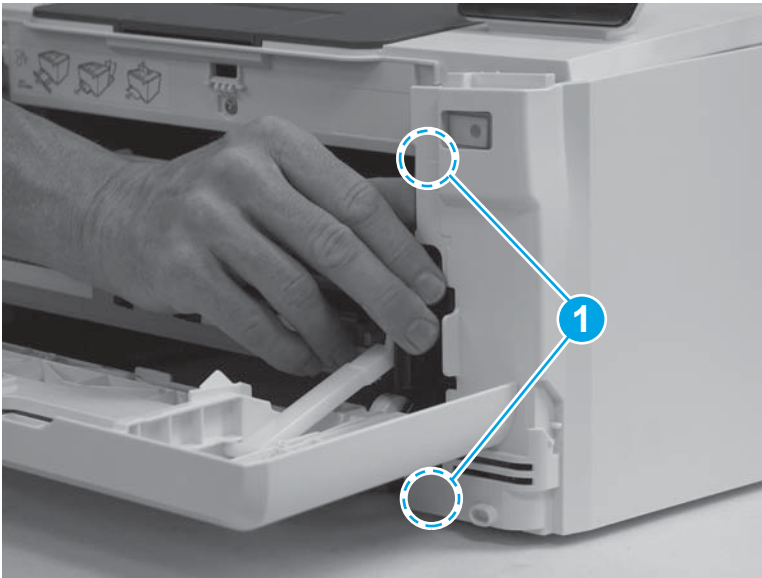
Figure 1-101 Install the left cover (3 of 3)



Step 9: Install the right cover

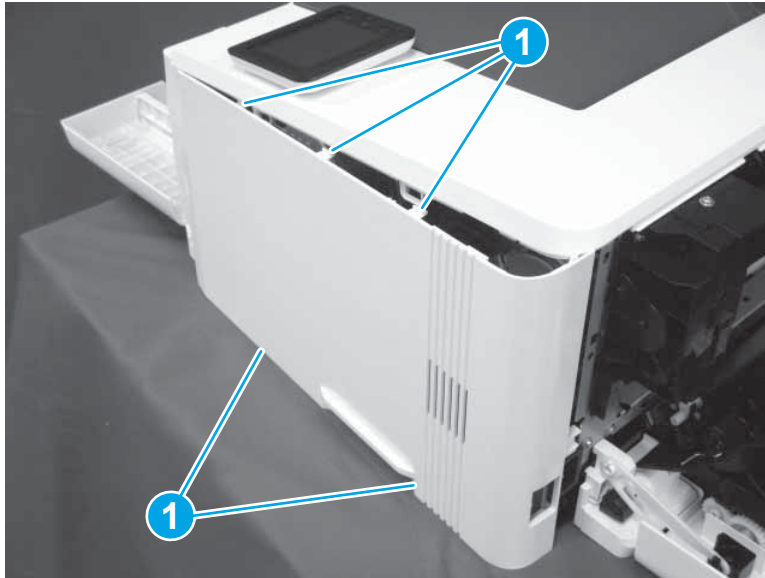
1. At the front of the printer, position two tabs (callout 1) in the chassis.

Figure 1-102 Install the right cover (1 of 3)



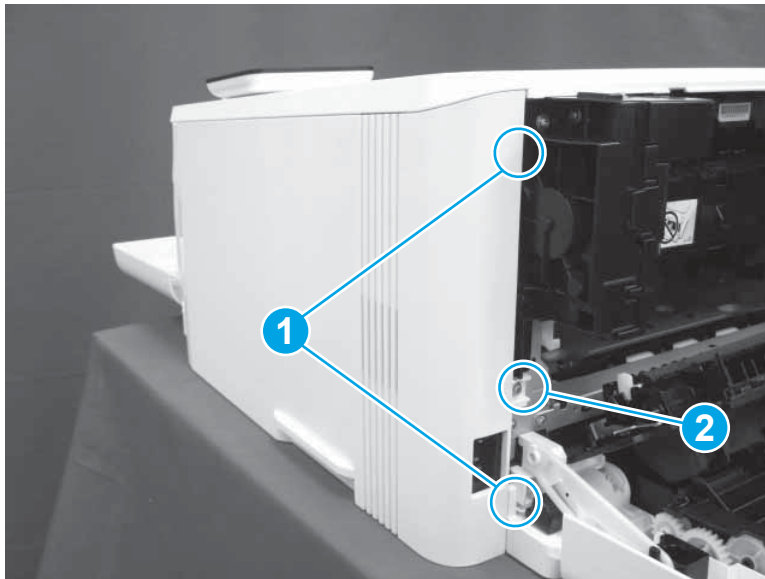
2. Moving from the front to the back, set five tabs (callout 1) along the top and bottom of the cover.

Figure 1-103 Install the right cover (2 of 3)



3. At the rear of the printer, set two tabs (callout 1), and then install one screw (callout 2).

Figure 1-104 Install the right cover (3 of 3)



Step 10: Close the front door and rear door or duplexer door

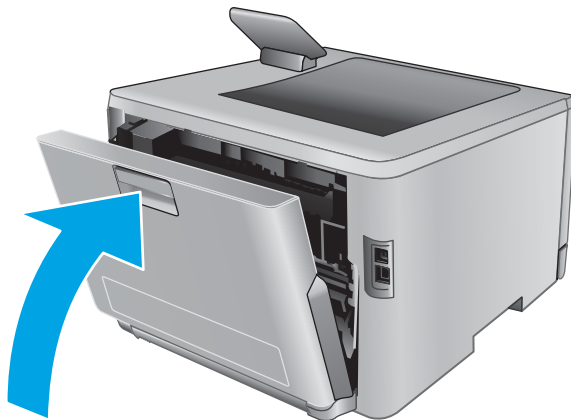
1. Close the front door.

Figure 1-105 Close the front door and rear door or duplexer door (1 of 2)



2. Close the rear door (simplex models) or duplexer door (duplex models).

Figure 1-106 Close the front door and rear door or duplexer door (2 of 2)



Step 11: Install Tray 2

- ▲ Align Tray 2 with the tray cavity, and then push the tray into the printer.

Figure 1-107 Install Tray 2



Removal and replacement: Top cover, M274, M277 models


- [Introduction](#)
- [Step 1: Remove Tray 2](#)
- [Step 2: Open the front door and rear door or duplexer door](#)
- [Step 3: Remove the right cover](#)
- [Step 4: Remove the left cover](#)
- [Step 5: Remove the scanner](#)
- [Step 6: Remove the M274, M277 top cover](#)
- [Step 7: Unpack a replacement top cover](#)
- [Step 8: Install the M274, M277 top cover](#)
- [Step 9: Install the scanner](#)
- [Step 10: Install the left cover](#)
- [Step 11: Install the right cover](#)
- [Step 12: Close the front door and rear door or duplexer door](#)
- [Step 13: Install Tray 2](#)

Introduction

This document provides the procedures to remove and replace the M274 and M277 top cover.

Before you begin

- Turn off the printer.
- Disconnect the power cable.

 **WARNING!** To avoid damage to the printer, turn the printer off, wait 30 seconds, and then remove the power cord before attempting to service the printer.

- Use the table below to identify the correct part number for your printer. To order the part, go to www.hp.com/buy/parts.

M274, M277 top cover part numbers	
RM2-5597-000CN	M274, M277n top cover
RM2-5598-000	M277dw top cover

Required tools

- #2 Phillips screwdriver with a magnetic tip
- Small flat-blade screwdriver
- Offset Phillips screwdriver

After performing service

- Connect the power cable.
- Use the power switch to turn the power on.

Step 1: Remove Tray 2

- ▲ Using the handle on the face of Tray 2, pull the tray completely out of the printer.

Figure 1-108 Remove Tray 2



Step 2: Open the front door and rear door or duplexer door

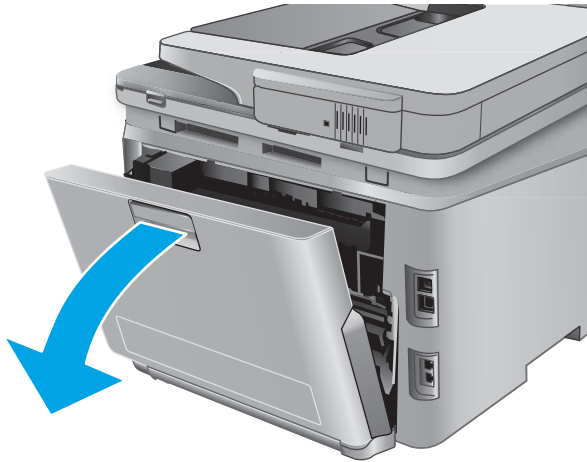
1. Open the front door.

Figure 1-109 Open the front door and rear door or duplexer door (1 of 2)



2. Use the latch release to open the rear door (simplex models) or duplexer door (duplex models).

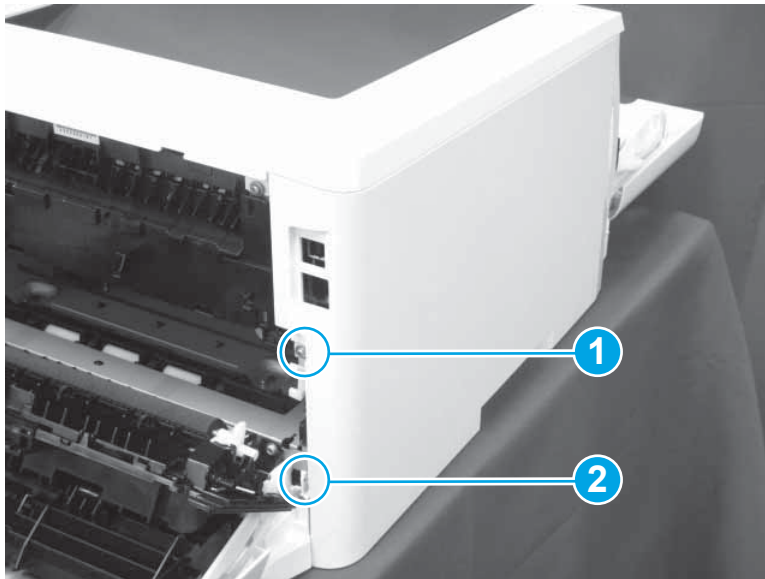
Figure 1-110 Open the front door and rear door or duplexer door (2 of 2)



Step 3: Remove the right cover

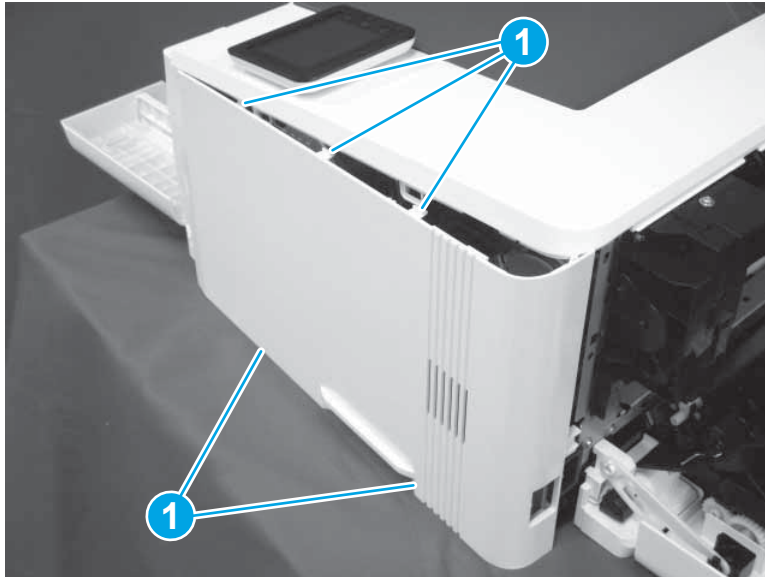
1. At the rear of the printer, remove one screw (callout 1), and then release two tabs (callout 2).

Figure 1-111 Remove the right cover (1 of 3)



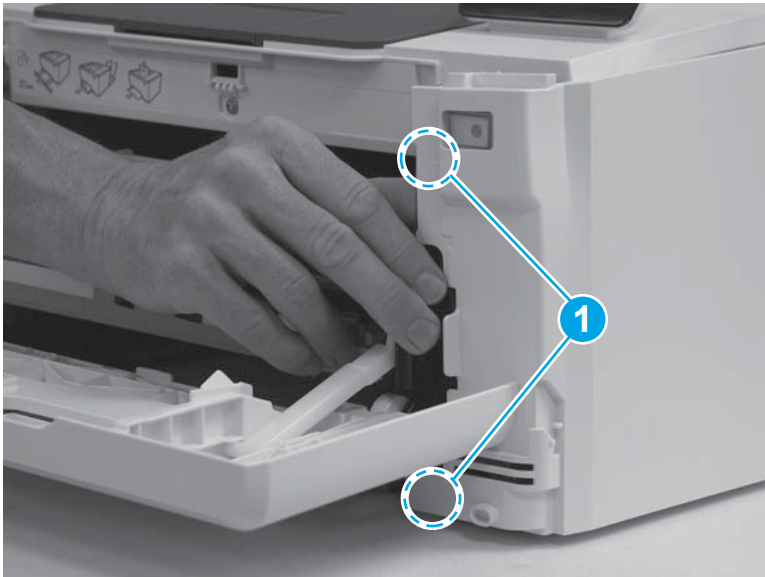
2. Release five tabs (callout 1) along the top and bottom of the cover. Releasing the top tabs first can ease this task.

Figure 1-112 Remove the right cover (2 of 3)



3. At the front of the printer, release two tabs (callout 1), and then remove the cover from the printer.

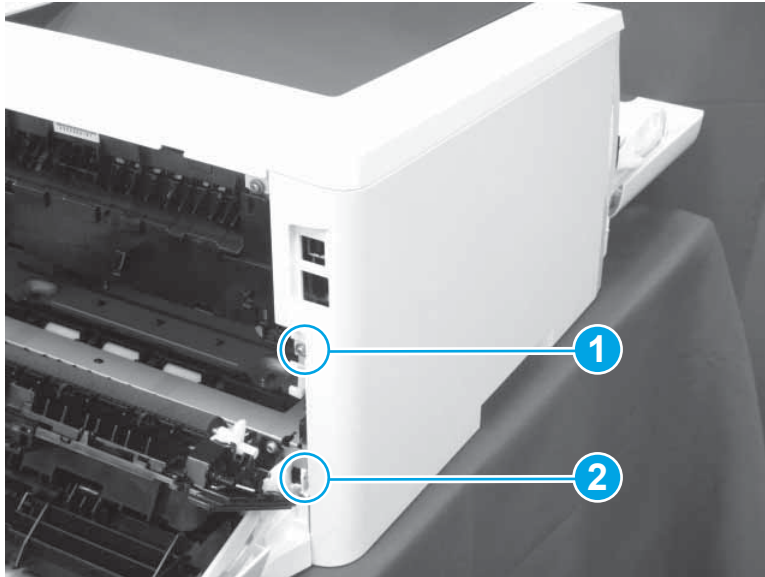
Figure 1-113 Remove the right cover (3 of 3)



Step 4: Remove the left cover

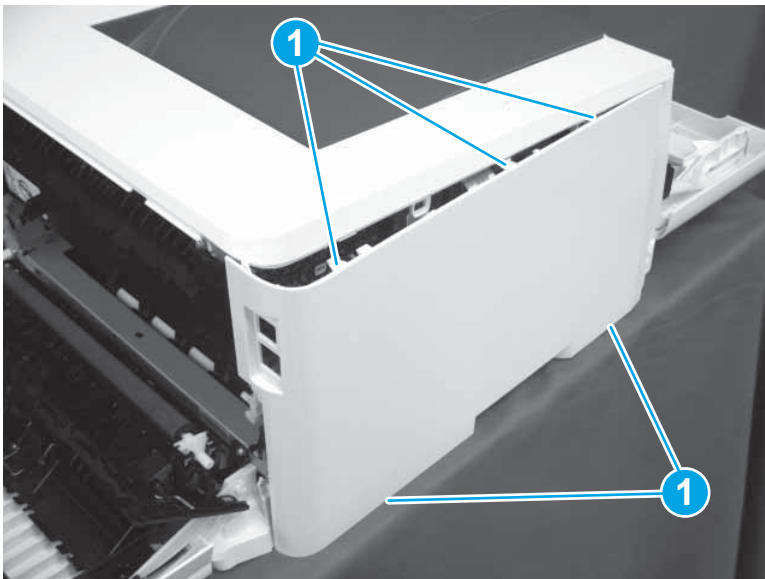
1. At the rear of the printer, remove one screw (callout 1), and then release one tab (callout 2).

Figure 1-114 Remove the left cover (1 of 3)



2. Starting at the top edge, release five tabs (callout 1)

Figure 1-115 Remove the left cover (2 of 3)



3. Move the printer so that the left cover is over the edge of the work surface. Pull the top of the cover down at approximately 45-degree angle to remove it.

Figure 1-116 Remove the left cover (3 of 3)



Step 5: Remove the scanner

1. With the scanner lid lifted, release the tab on the scanner support arm from the slot and rotate the support arm in the direction indicated, and then remove the pin (callout 1).

Figure 1-117 Remove the M274, M277 scanner (1 of 4)



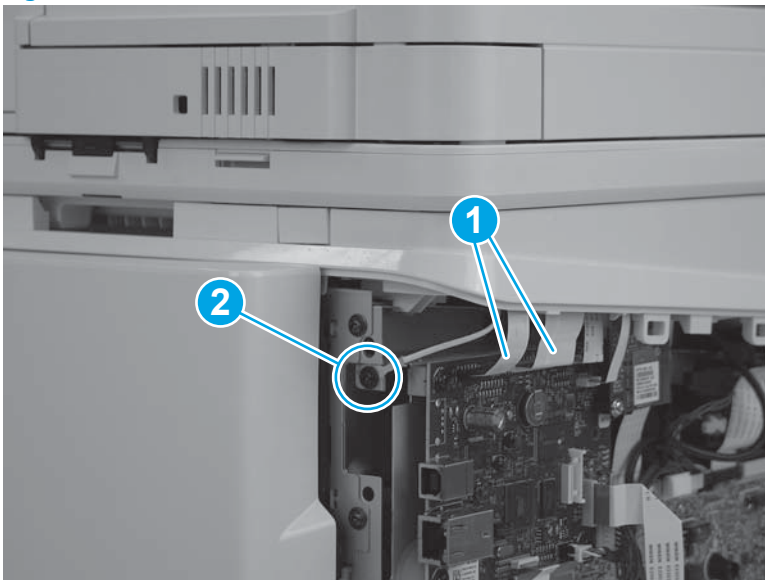
2. On the scanner bed, use a flat-blade screwdriver to remove the scanner cable cover.

Figure 1-118 Remove the M274, M277 scanner (2 of 4)



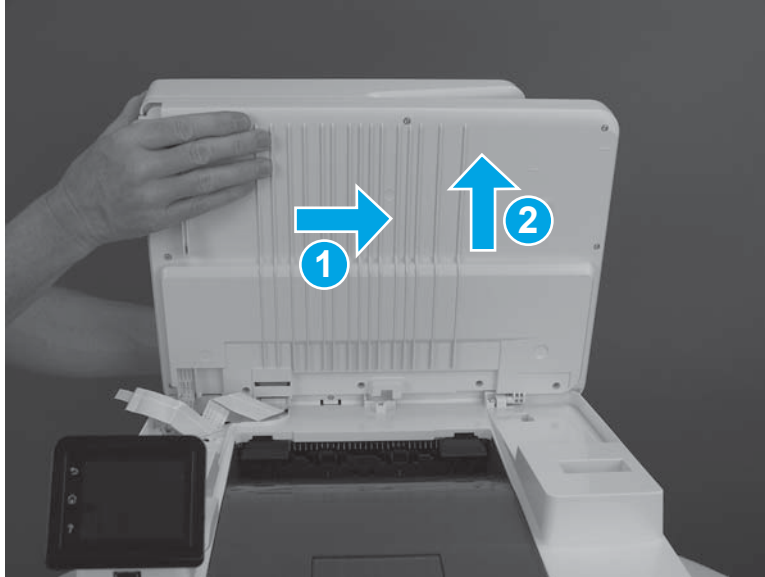
3. On the left side of the printer, disconnect two connectors (callout 1) and remove one screw (callout 2).

Figure 1-119 Remove the M274, M277 scanner (3 of 4)



4. Open the scanner assembly fully, slide the assembly in the direction indicated, and then lift the assembly off of the chassis.

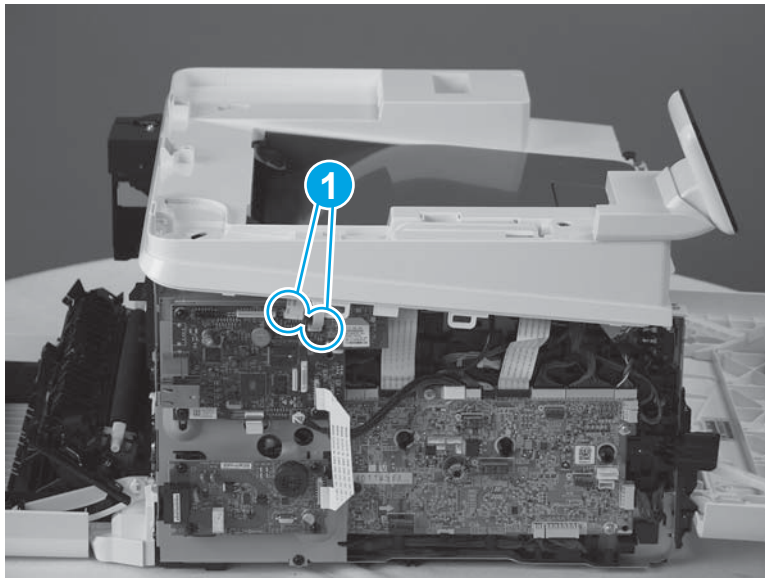
Figure 1-120 Remove the M274, M277 scanner (4 of 4)



Step 6: Remove the M274, M277 top cover

1. On the left side of the printer, on the formatter PCA, disconnect two connectors (callout 1).

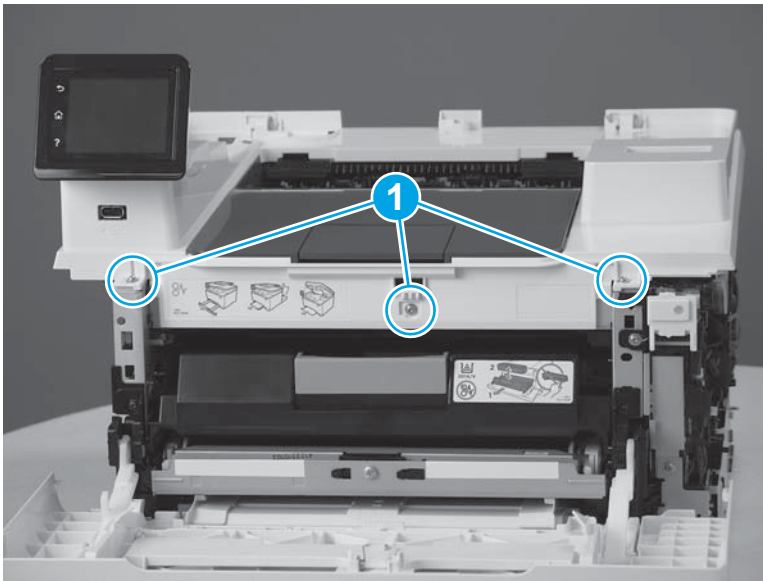
Figure 1-121 Remove the M274, M277 top cover (1 of 10)



2. At the front of the printer, remove three screws (callout 1).

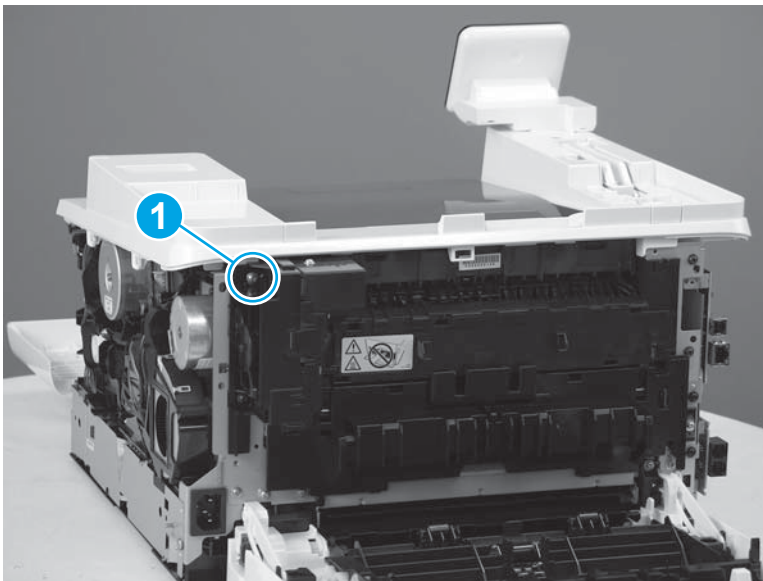
 **NOTE:** To remove the screw beneath the control panel, you might need to use an offset screwdriver.

Figure 1-122 Remove the M274, M277 top cover (2 of 10)



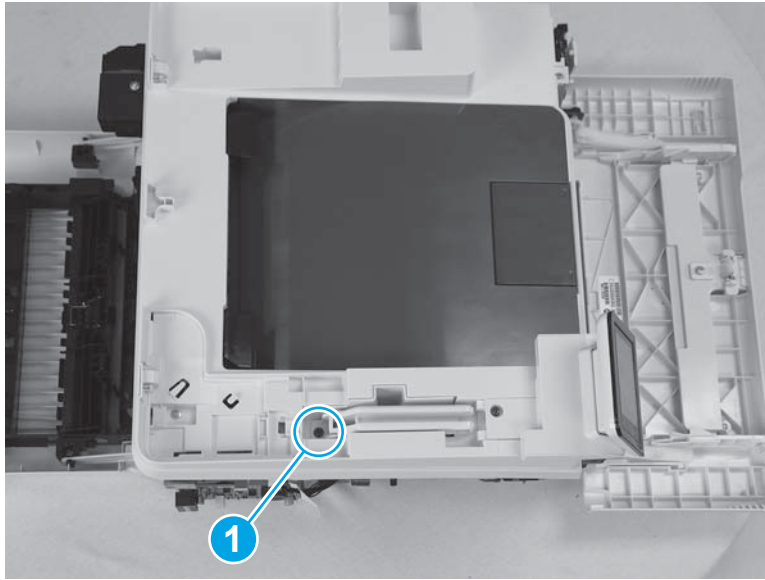
3. At the rear of the printer, remove one screw (callout 1).

Figure 1-123 Remove the M274, M277 top cover (3 of 10)



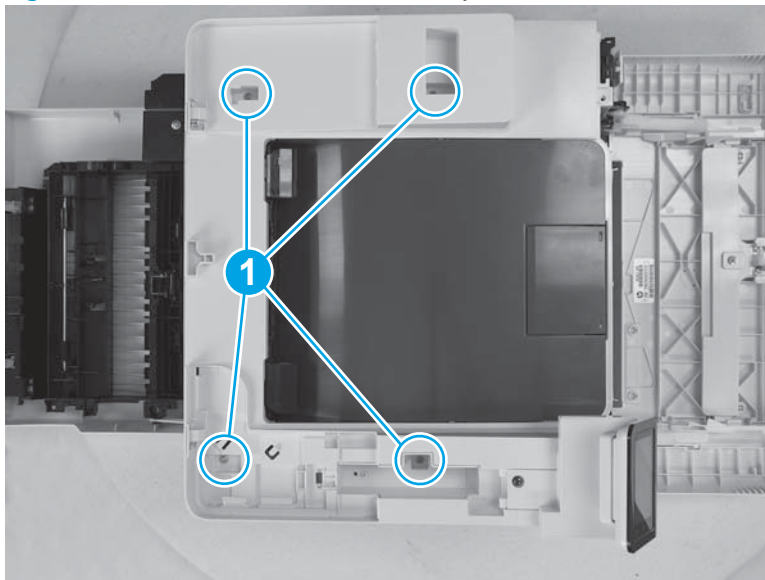
4. At the top of the printer, at the base of the scanner support arm, remove one screw (callout 1).

Figure 1-124 Remove the M274, M277 top cover (4 of 10)



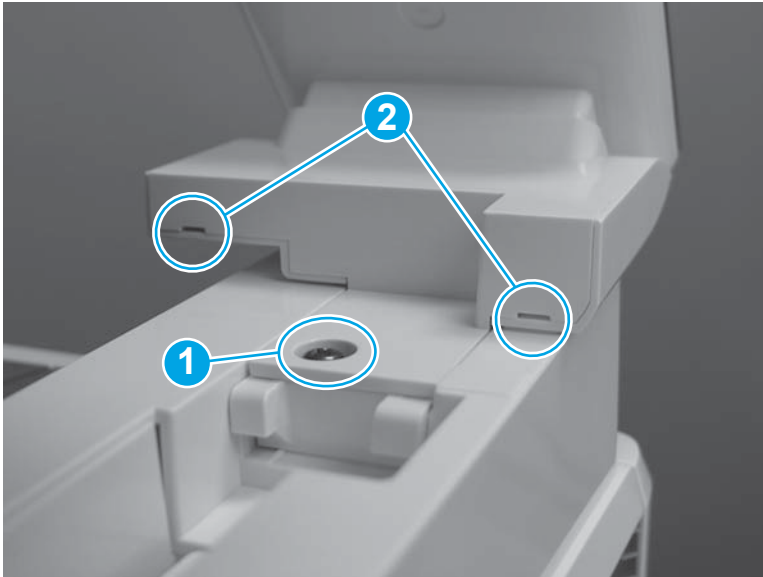
5. At the top of the printer, remove four more screws (callout 1).

Figure 1-125 Remove the M274, M277 top cover (5 of 10)



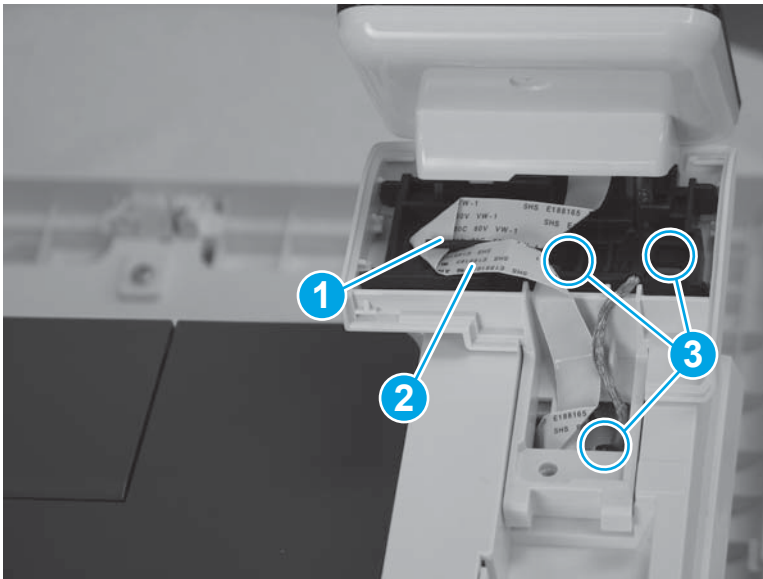
6. Behind the control panel, remove one screw (callout 1), and then use a small flat-blade screwdriver at two pry points (callout 2) to release the control-panel cover from the top cover.

Figure 1-126 Remove the M274, M277 top cover (6 of 10)



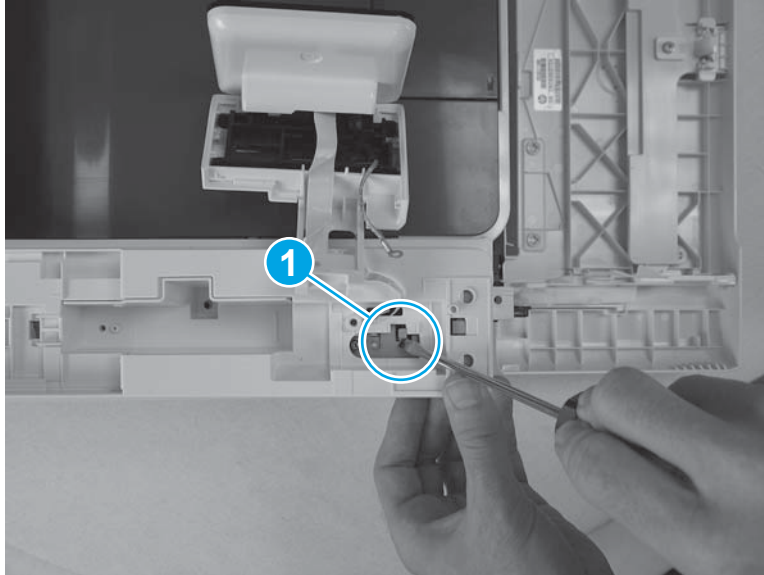
7. Unroute the flat cable (callout 1) from the wiring harness (callout 2), move the cable out of the way, and then remove three screws (callout 3).

Figure 1-127 Remove the M274, M277 top cover (7 of 10)



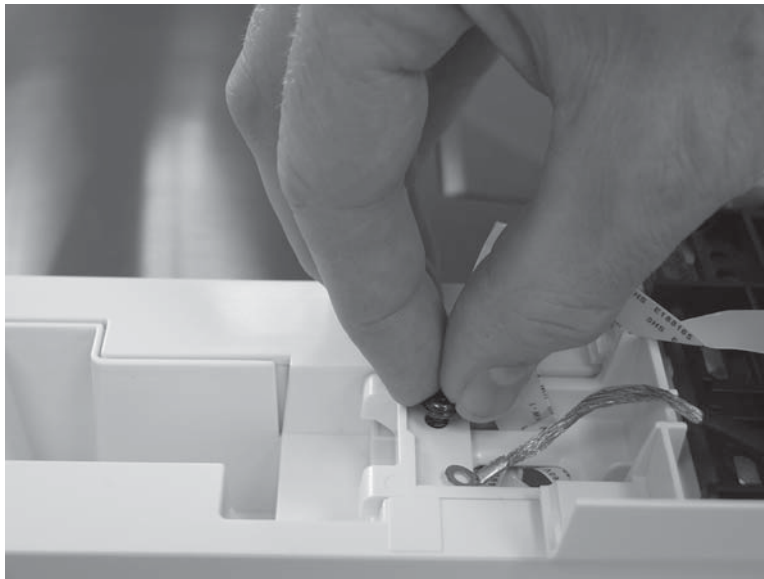
8. Use a small flat-blade screwdriver to release two tabs (callout 1) that connect the top cover to the chassis.

Figure 1-128 Remove the M274, M277 top cover (8 of 10)



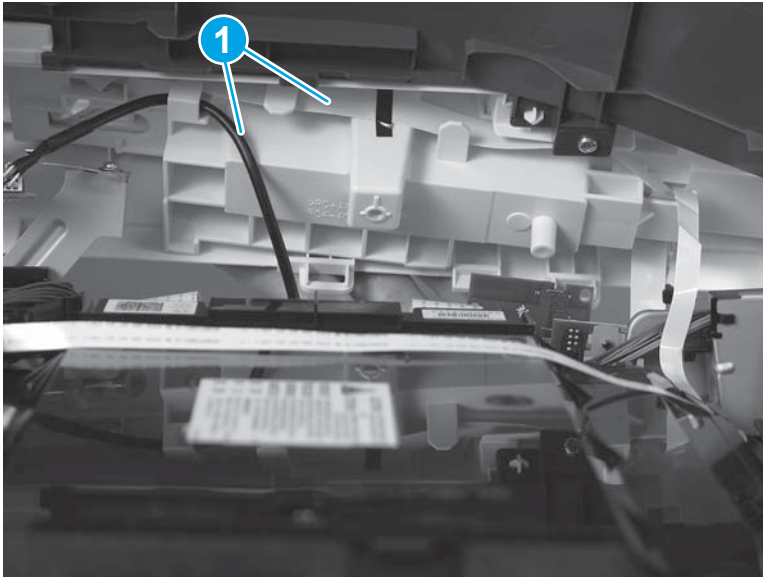
9. With your hand, refasten the screw that was previously removed to temporarily reattach the control panel to the top cover. Doing this should protect the flat cable from being damaged.

Figure 1-129 Remove the M274, M277 top cover (9 of 10)



10. Tilt the top cover. Underneath the cover, unroute the cables (callout 1), and then lift the cover away from the printer.

Figure 1-130 Remove the M274, M277 top cover (10 of 10)



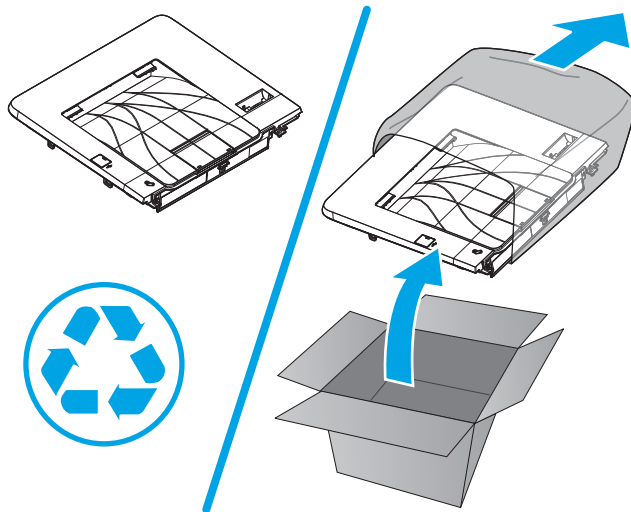
Step 7: Unpack a replacement top cover

Remove the new top cover from its package. Save all packaging for recycling the used part.

For complete information on HP's recycling programs, go to <http://www8.hp.com/us/en/hp-information/environment/product-recycling.html>.

 **NOTE:** HP recommends responsible disposal of the defective assembly.

Figure 1-131 Recycle and unpack



Step 8: Install the M274, M277 top cover

1. Set the cover in place on the chassis, and then tilt the top cover. Underneath the cover, route the cables (callout 1) through their respective guides.


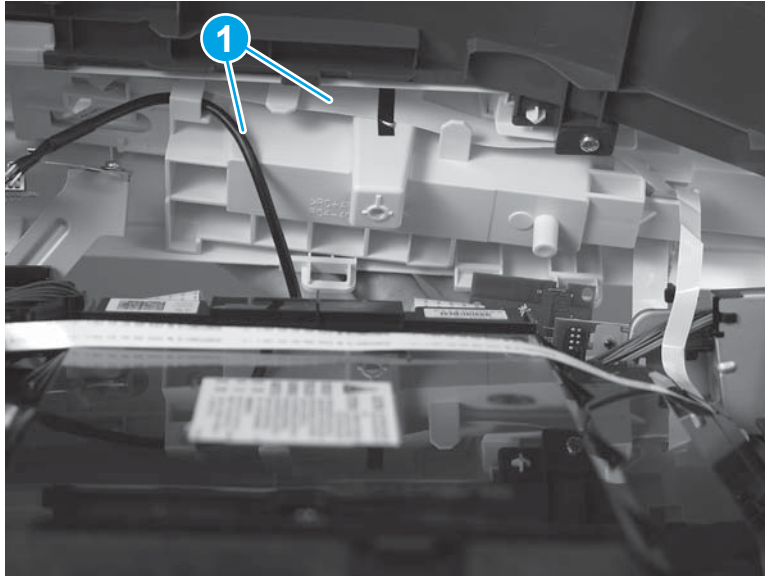
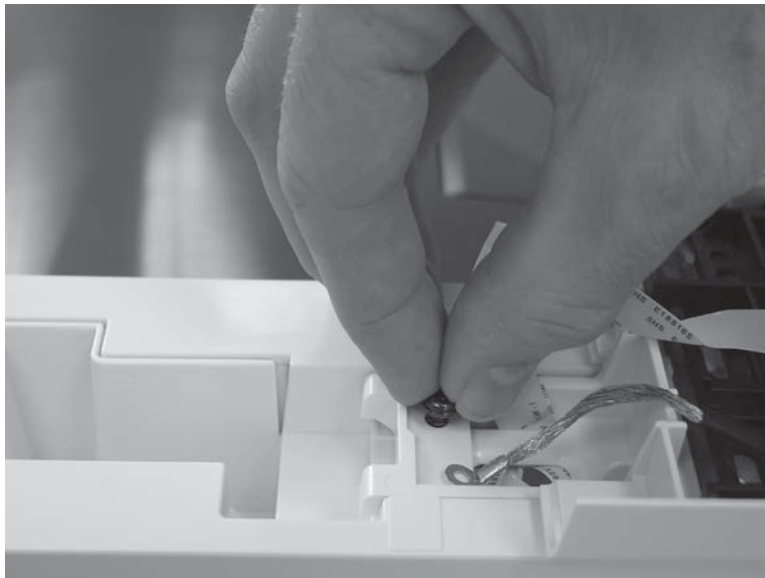
 **IMPORTANT:** After placing the cover on the printer, press down along the rear edge of the cover to engage two retaining tabs (the tabs should snap into place).

Figure 1-132 Install the M274, M277 top cover (1 of 10)



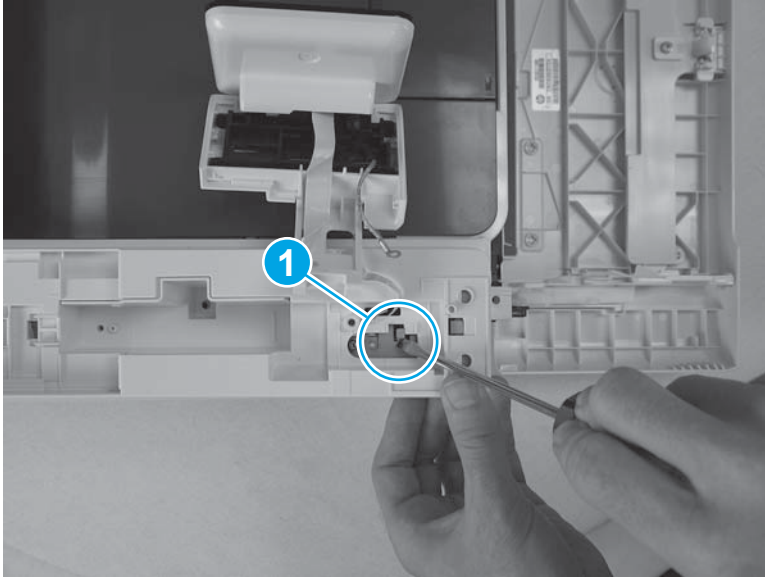
2. With your hand, unfasten the screw that was used to temporarily reattach the control panel to the top cover. Pull the control panel away from the cover to expose the tabs underneath.

Figure 1-133 Install the M274, M277 top cover (2 of 10)



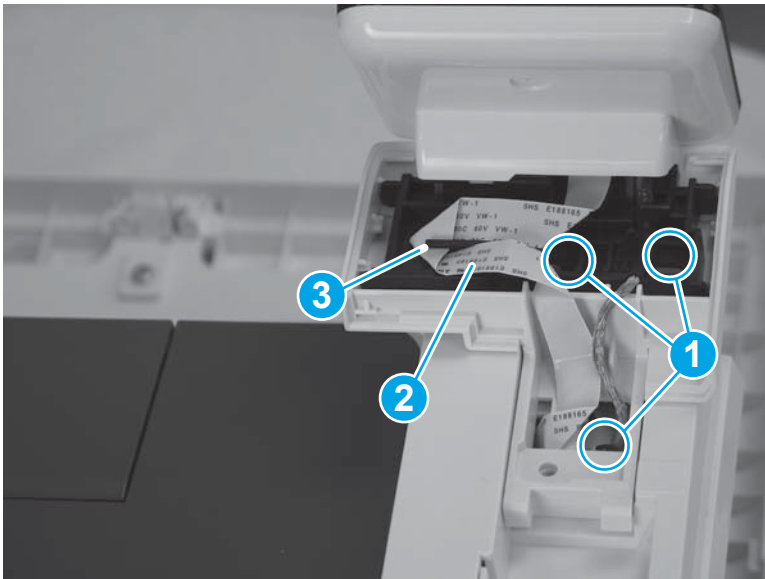
3. Use a small flat-blade screwdriver to engage two tabs (callout 1) that connect the top cover to the chassis.

Figure 1-134 Install the M274, M277 top cover (3 of 10)



4. Set the control-panel assembly in place, install three screws (callout 1), and then route the flat cable (callout 2) into the cable guide (callout 3).

Figure 1-135 Install the M274, M277 top cover (4 of 10)



5. Behind the control panel, set the control-panel cover in place, and then install one screw (callout 1).


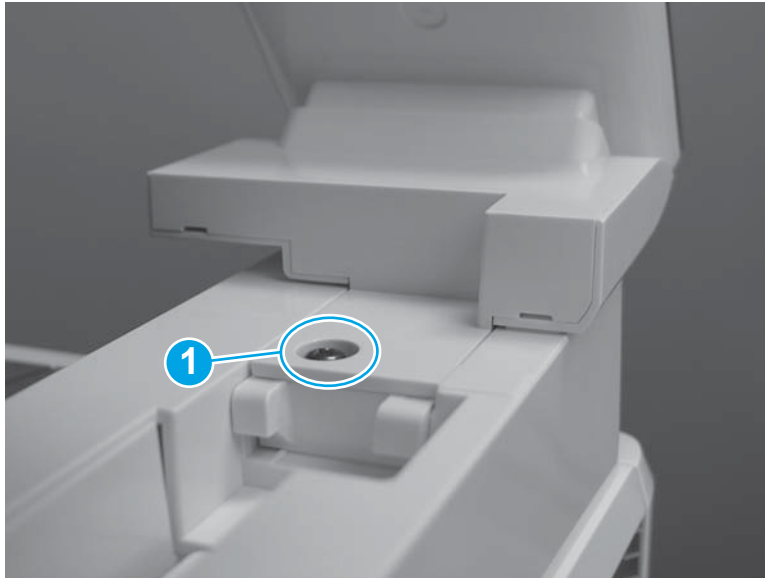
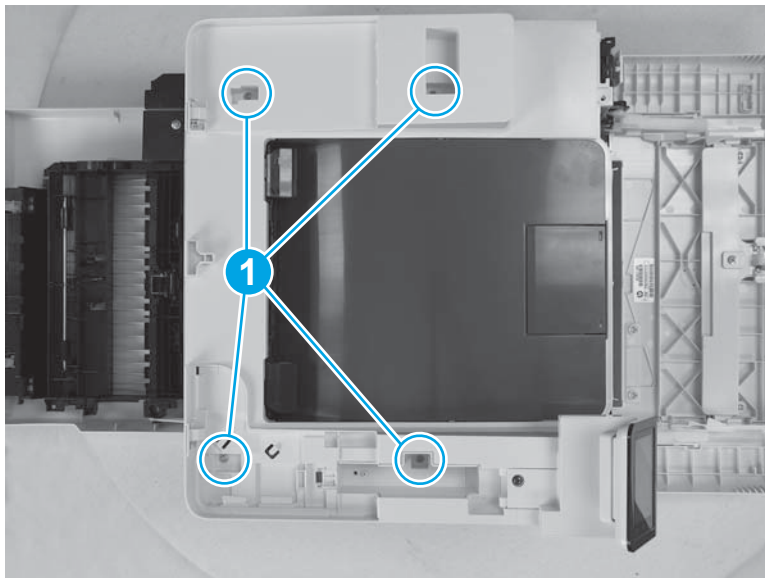
 **IMPORTANT:** Make sure that the front edge of the control panel is correctly installed and that it snaps into place.

Figure 1-136 Install the M274, M277 top cover (5 of 10)



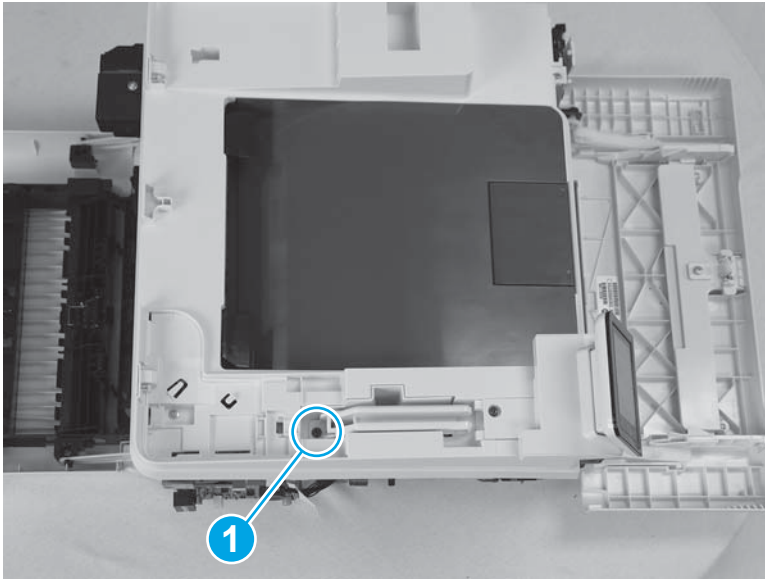
6. At the top of the printer, install four screws (callout 1).

Figure 1-137 Install the M274, M277 top cover (6 of 10)



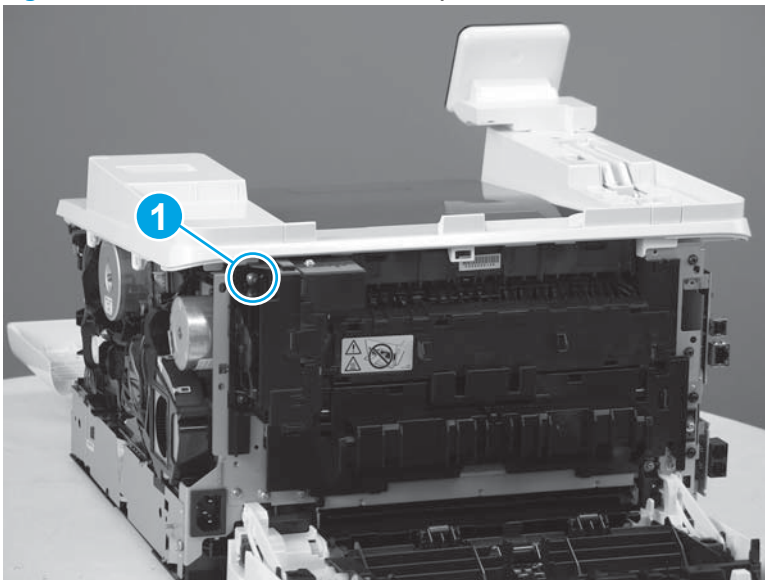
7. At the top of the printer, at the base of the scanner support arm, install one screw (callout 1).

Figure 1-138 Install the M274, M277 top cover (7 of 10)



8. At the rear of the printer, install one screw (callout 1).

Figure 1-139 Install the M274, M277 top cover (8 of 10)

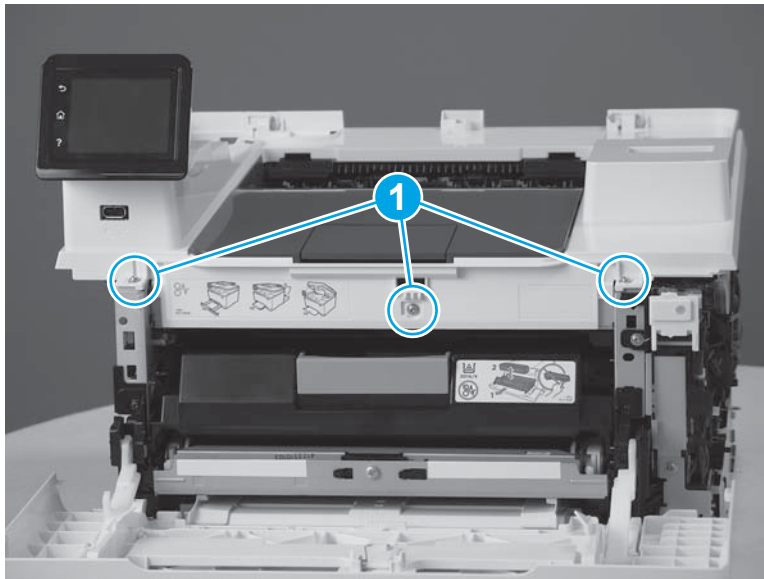


- At the front of the printer, install three screws (callout 1).



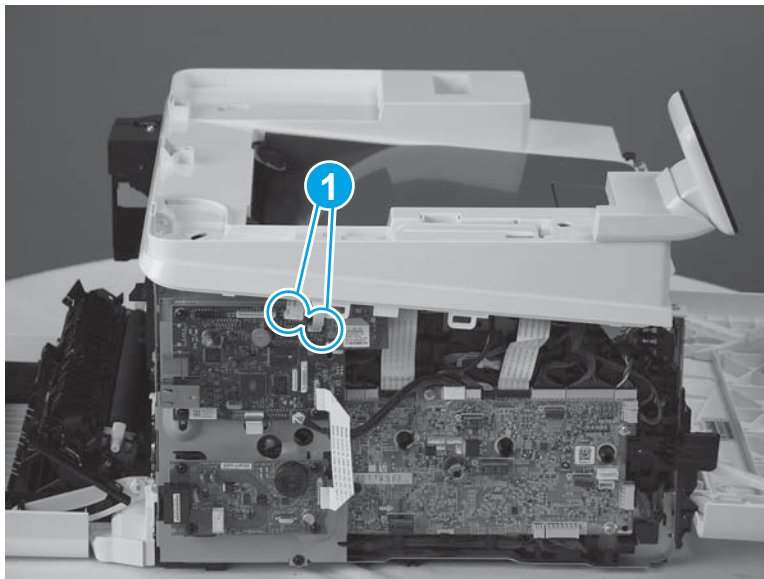
NOTE: To install the screw beneath the control panel, you might need to use an offset screwdriver.

Figure 1-140 Install the M274, M277 top cover (9 of 10)



- On the left side of the printer, on the formatter PCA, connect two connectors (callout 1).

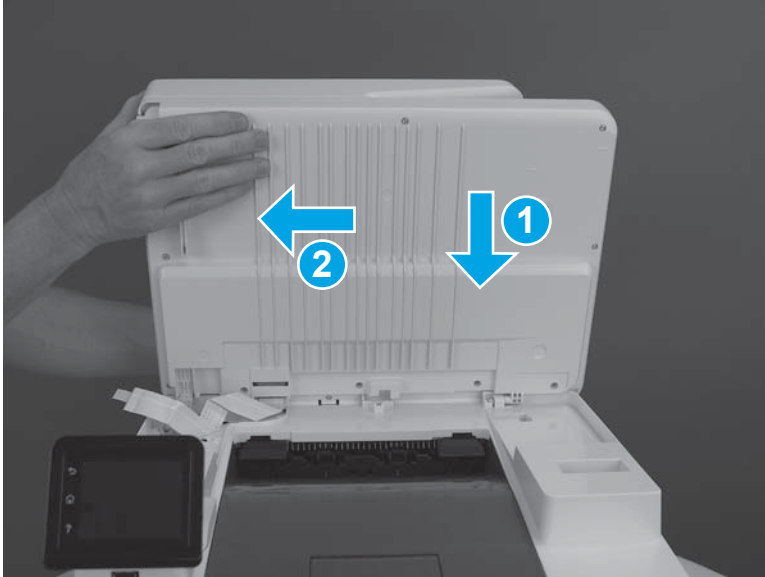
Figure 1-141 Install the M274, M277 top cover (10 of 10)



Step 9: Install the scanner

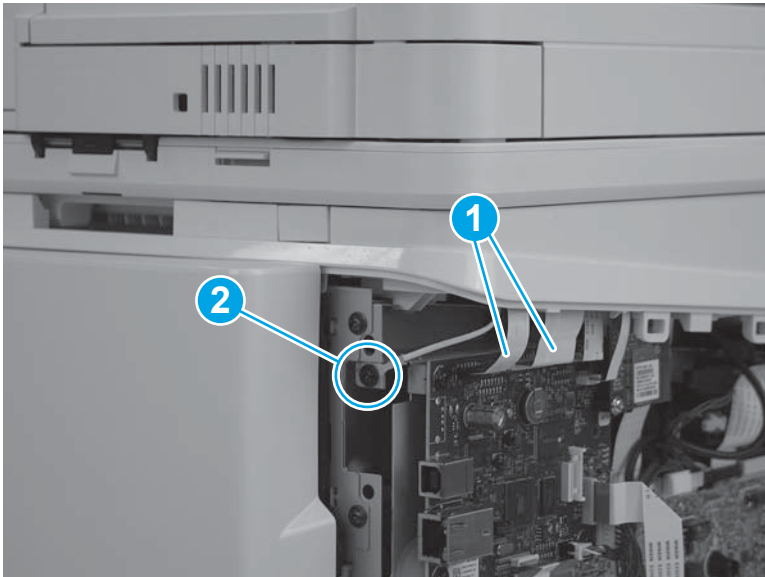
- Open the scanner assembly fully, lower the assembly onto the chassis, and then slide the assembly in the direction indicated.

Figure 1-142 Install the M274, M277 scanner (1 of 4)



2. On the left side of the printer, connect two connectors (callout 1) and install one screw (callout 2).

Figure 1-143 Install the M274, M277 scanner (2 of 4)



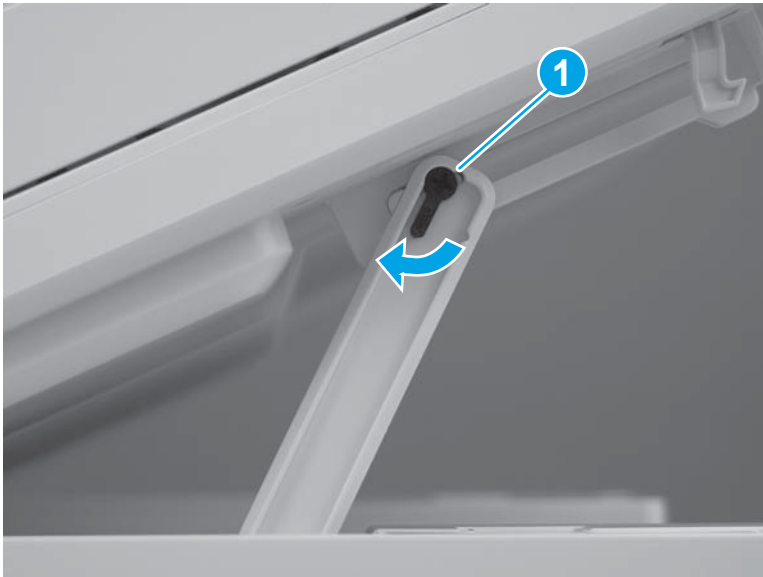
3. On the scanner bed, snap the scanner cable cover in place.

Figure 1-144 Install the M274, M277 scanner (3 of 4)



4. With the scanner lid lifted, inset the scanner support arm pin (callout 1), and then rotate the tab in the direction indicated until it snaps into the slot.

Figure 1-145 Install the M274, M277 scanner (4 of 4)



Step 10: Install the left cover

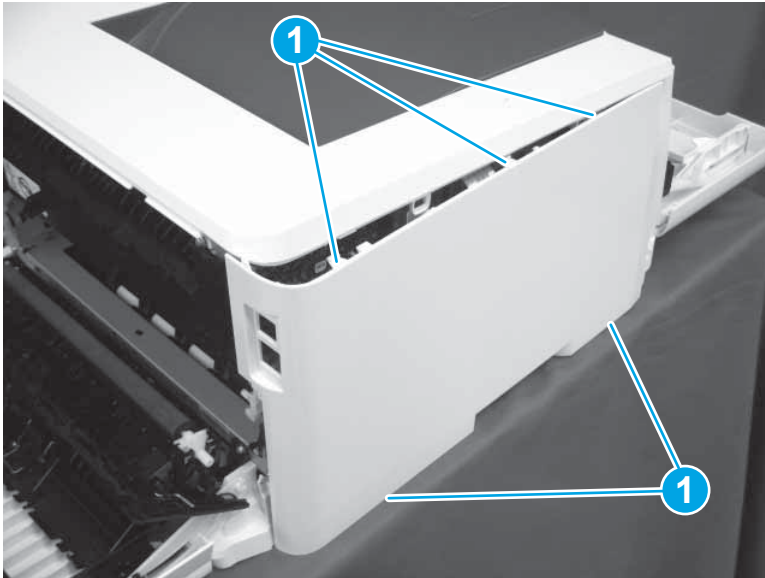
1. Engage the bottom front cover tab in the chassis, and then raise the top part of the cover to set the front tabs in place.

Figure 1-146 Install the left cover (1 of 3)



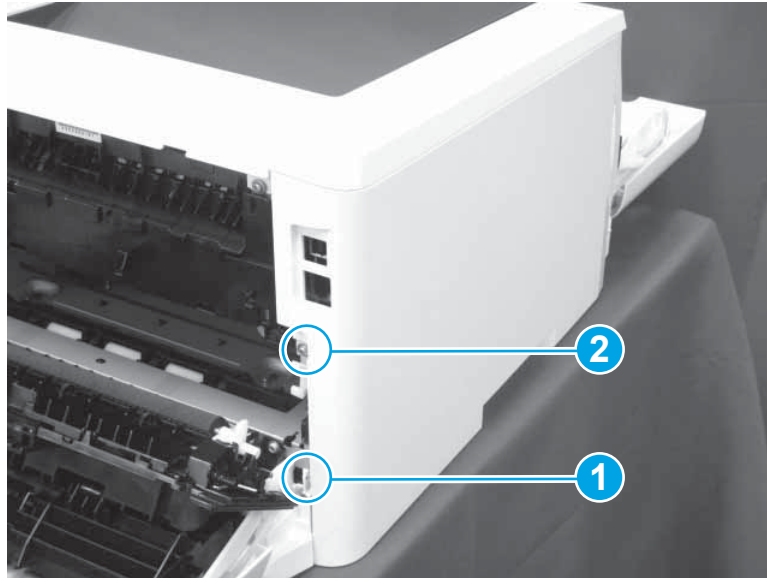
2. Working from the front edge to the back edge, engage five tabs (callout 1) along the top and bottom of the cover.

Figure 1-147 Install the left cover (2 of 3)



3. At the rear of the printer, engage one tab (callout 1), and then install one screw (callout 2).

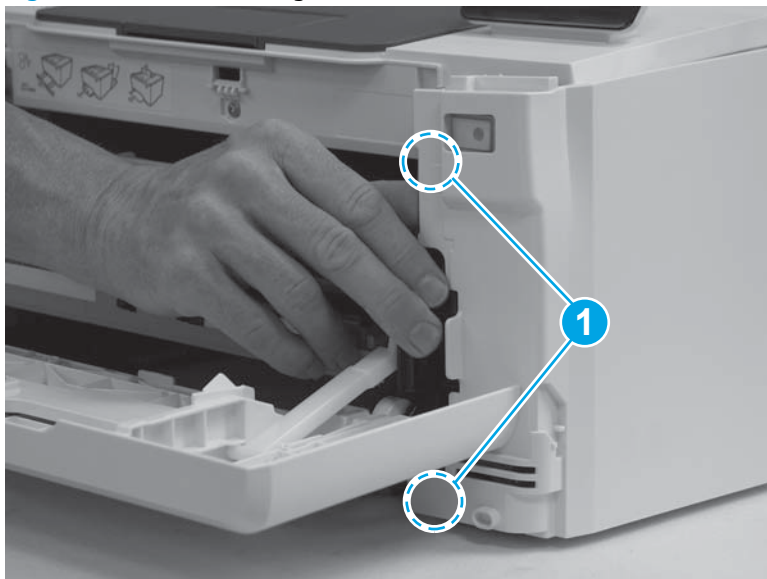
Figure 1-148 Install the left cover (3 of 3)



Step 11: Install the right cover

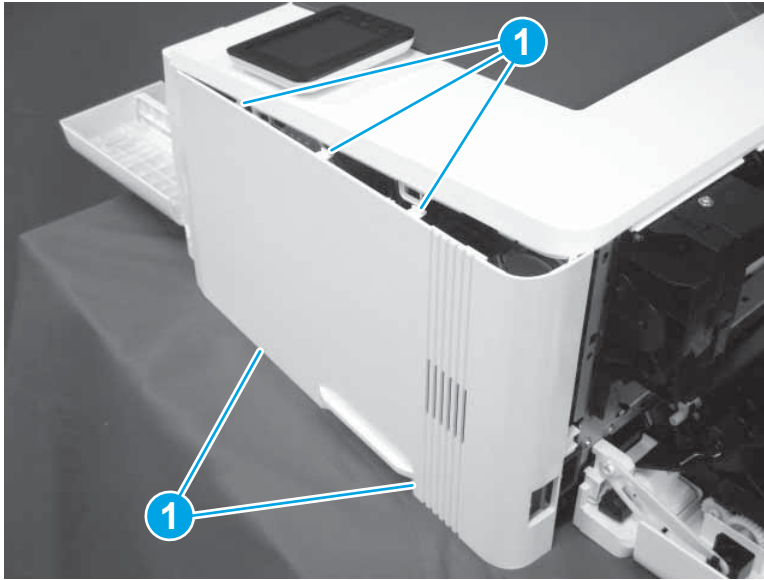
1. At the front of the printer, position two tabs (callout 1) in the chassis.

Figure 1-149 Install the right cover (1 of 3)



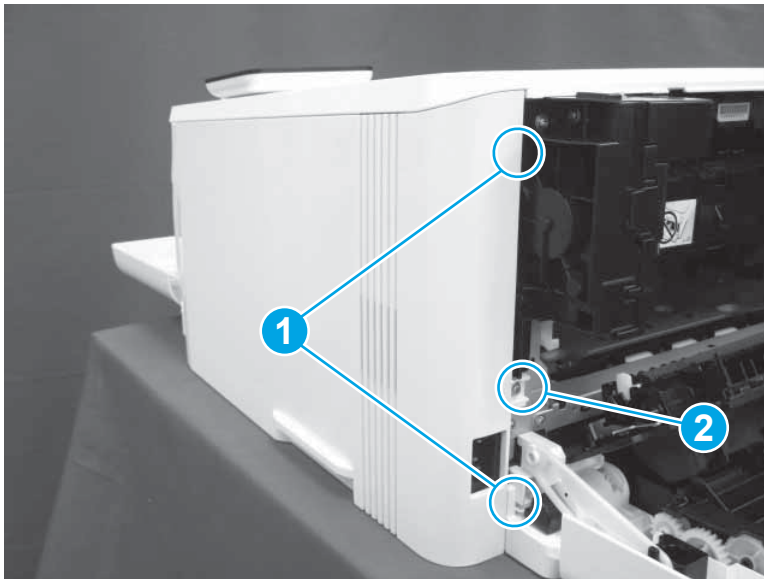
2. Moving from the front to the back, set five tabs (callout 1) along the top and bottom of the cover.

Figure 1-150 Install the right cover (2 of 3)



3. At the rear of the printer, set two tabs (callout 1), and then install one screw (callout 2).

Figure 1-151 Install the right cover (3 of 3)



Step 12: Close the front door and rear door or duplexer door

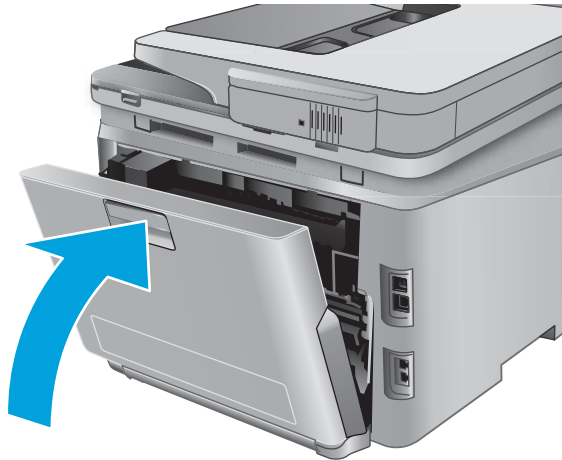
1. Close the front door.

Figure 1-152 Close the front door and rear door or duplexer door (1 of 2)



2. Close the rear door (simplex models) or duplexer door (duplex models).

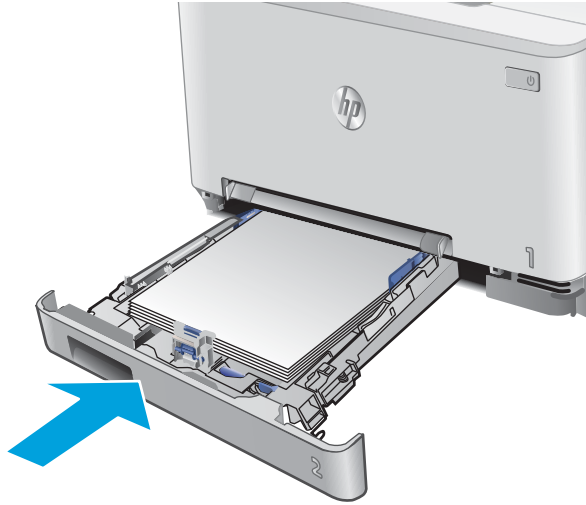
Figure 1-153 Close the front door and rear door or duplexer door (2 of 2)



Step 13: Install Tray 2

- ▲ Align Tray 2 with the tray cavity, and then push the tray into the printer.

Figure 1-154 Install Tray 2



Removal and replacement: Duplexer door assembly (duplex models)


- [Introduction](#)
- [Step 1: Open the duplexer door](#)
- [Step 2: Remove the duplexer door assembly](#)
- [Step 3: Unpack a replacement duplexer door assembly](#)
- [Step 4: Install the duplexer door assembly](#)
- [Step 5: Close the duplexer door](#)

Introduction

This document provides the procedures to remove and replace the duplexer door.

Before you begin

- Turn off the printer.
- Disconnect the power cable.

 **WARNING!** To avoid damage to the printer, turn the printer off, wait 30 seconds, and then remove the power cord before attempting to service the printer.

- Use the table below to identify the correct part number for your printer. To order the part, go to www.hp.com/buy/parts.

Duplexer door part number	
---------------------------	--

RM2-5867-000CN	Duplexer door
----------------	---------------

Required tools

- #2 Phillips screwdriver with a magnetic tip
- Small flat-blade screwdriver

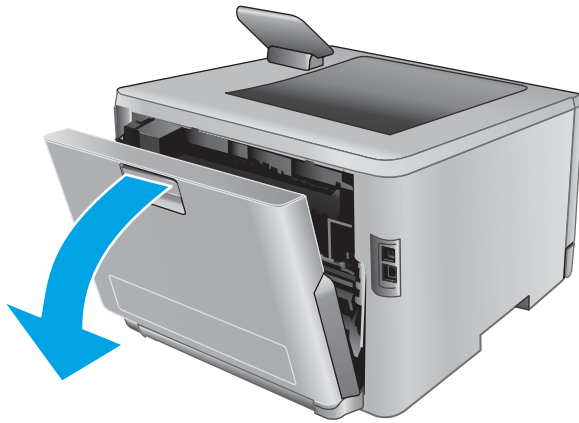
After performing service

- Connect the power cable.
- Use the power switch to turn the power on.

Step 1: Open the duplexer door

- ▲ Use the latch release to open the duplexer door.

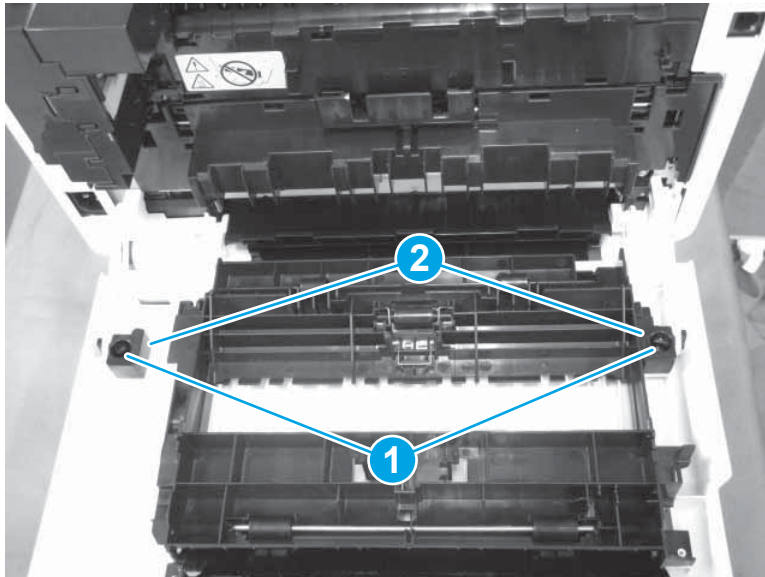
Figure 1-155 Open the duplexer door



Step 2: Remove the duplexer door assembly

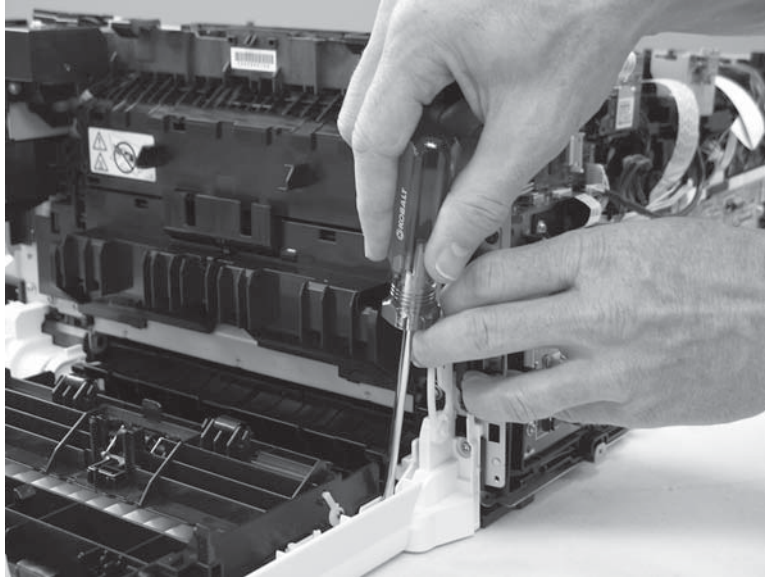
1. At the rear of the printer, at the bottom of the duplexer door, remove two larger M4 tapping screws (callout 1), and then remove the two holders (callout 2) from the door.

Figure 1-156 Remove the duplexer door (1 of 3)



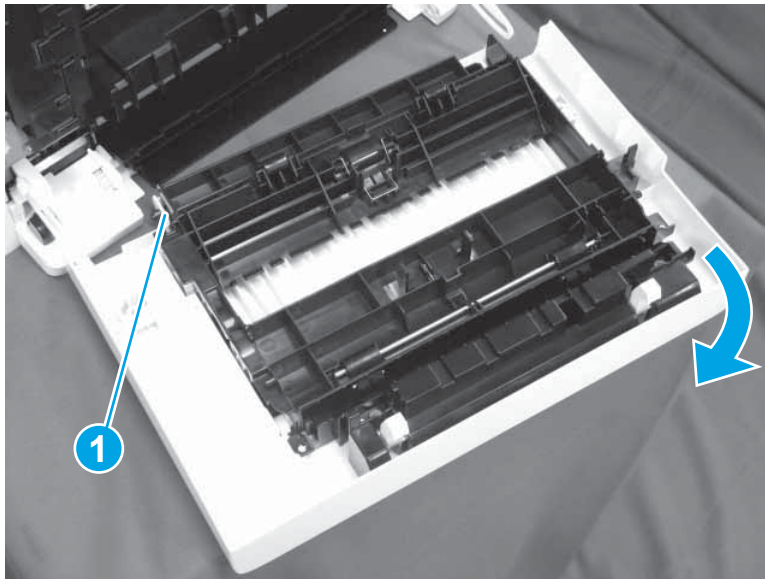
2. Use a small flat-blade screwdriver to unsnap the shaft, then rotate the shaft towards the front of the printer and slide it out of its mating pocket, releasing the shaft on the right side of the door.

Figure 1-157 Remove the duplexer door (2 of 3)



3. With the right shaft released, pull the right side of the door away from the chassis and then release the left shaft (callout 1) from the chassis.

Figure 1-158 Remove the duplexer door (3 of 3)



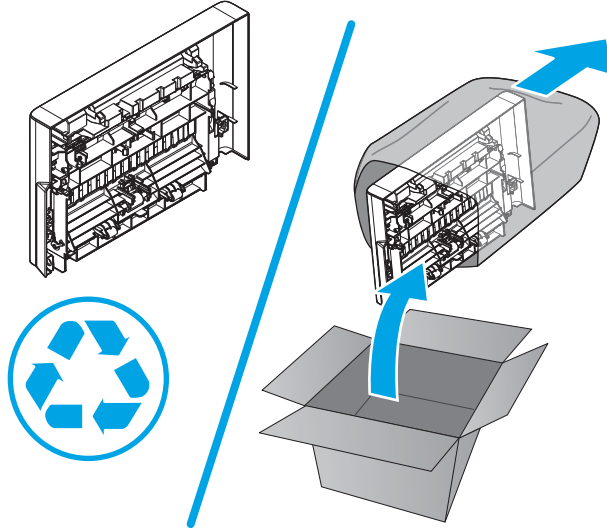
Step 3: Unpack a replacement duplexer door assembly

Remove the new duplexer door assembly from its package. Save all packaging for recycling the used part.

For complete information on HP's recycling programs, go to <http://www8.hp.com/us/en/hp-information/environment/product-recycling.html>.

 **NOTE:** HP recommends responsible disposal of the defective assembly.

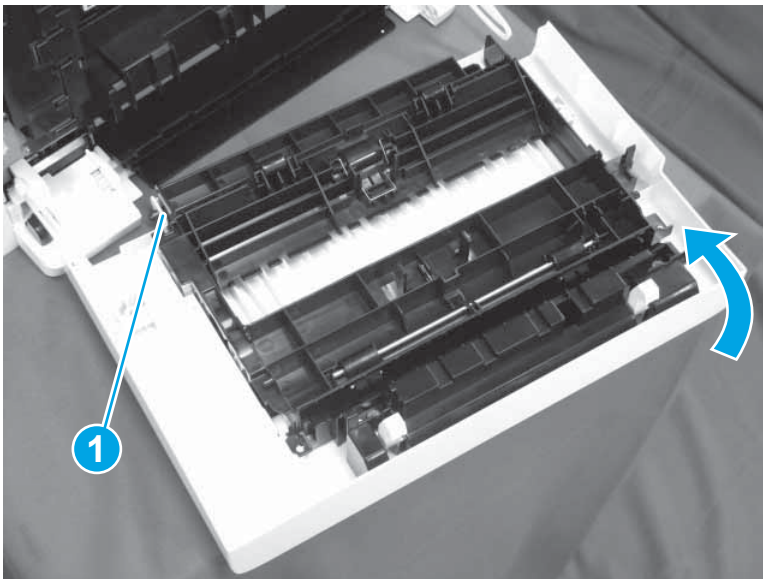
Figure 1-159 Recycle and unpack



Step 4: Install the duplexer door assembly

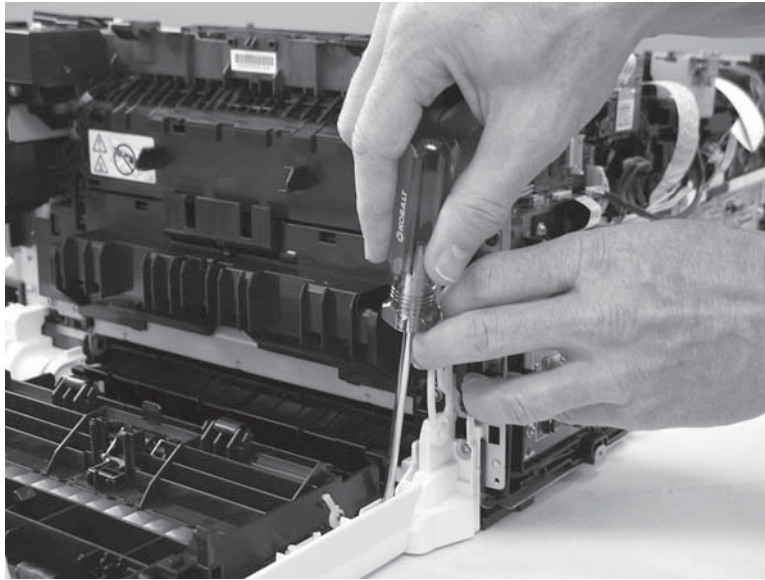
1. Insert the left shaft (callout 1) at the bottom of the door into the chassis, and then move the other side of the door into position.

Figure 1-160 Install the duplexer door (1 of 3)



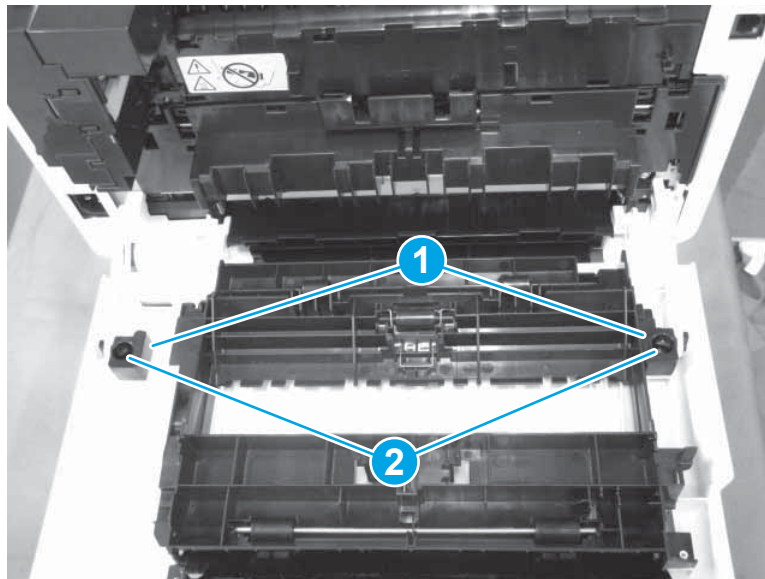
2. Use a small flat-blade screwdriver to insert the shaft on the right side of the door into the chassis.

Figure 1-161 Install the duplexer door (2 of 3)



3. At the bottom of the duplexer door, engage the two holders (callout 1), and then install two M4 tapping screws (callout 2).

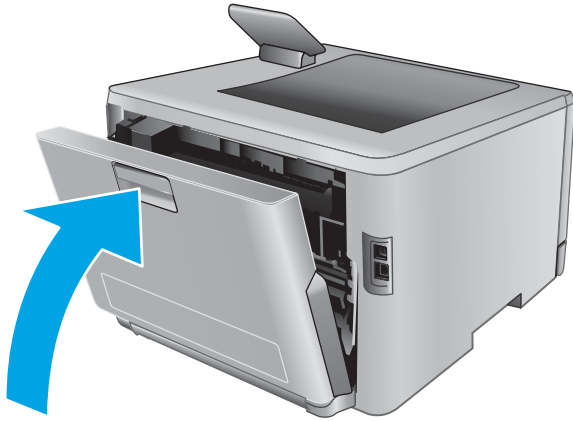
Figure 1-162 Install the duplexer door (3 of 3)



Step 5: Close the duplexer door

- ▲ Lift the top of the door to close the duplexer door.

Figure 1-163 Close the duplexer door



Removal and replacement: Rear cover (simplex models)


- [Introduction](#)
- [Step 1: Remove the rear cover](#)
- [Step 2: Unpack a replacement rear cover](#)
- [Step 3: Install the rear cover](#)

Introduction

This document provides the procedures to remove and replace the rear cover on simplex models.

Before you begin

- Turn off the printer.
- Disconnect the power cable.

 **WARNING!** To avoid damage to the printer, turn the printer off, wait 30 seconds, and then remove the power cord before attempting to service the printer.

- Use the table below to identify the correct part number for your printer. To order the part, go to www.hp.com/buy/parts.

Rear cover (simplex models) part number	
---	--

RC4-3817-000CN	Rear cover (simplex models)
----------------	-----------------------------

Required tools

- #2 Phillips screwdriver with a magnetic tip
- Small flat-blade screwdriver

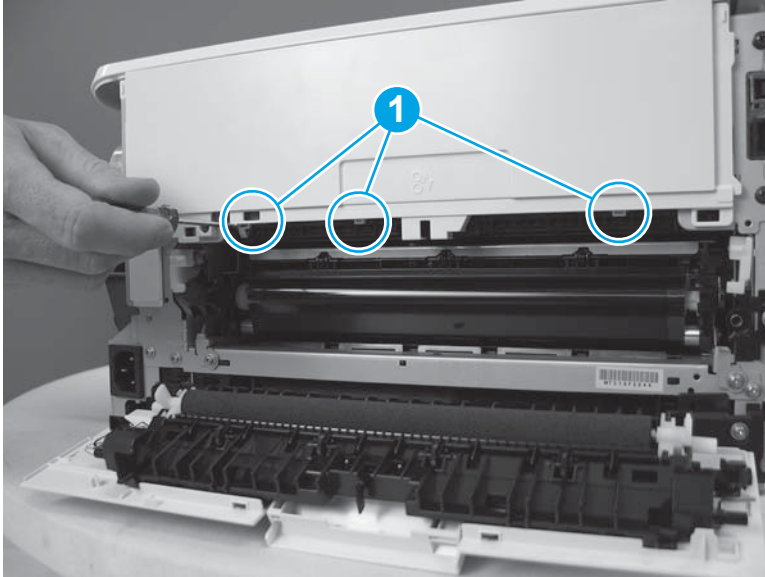
After performing service

- Connect the power cable.
- Use the power switch to turn the power on.

Step 1: Remove the rear cover

- ▲ On the rear cover, open the rear door, and then use a small flat-blade screwdriver to release three tabs (callout 1) at the bottom of the cover, and then pull the cover down and away from the chassis.

Figure 1-164 Remove the simplex model rear cover



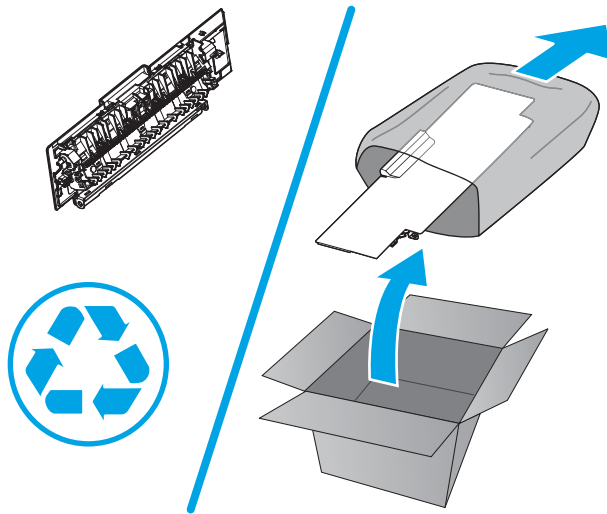
Step 2: Unpack a replacement rear cover

Remove the new rear cover from its package. Save all packaging for recycling the used part.

For complete information on HP's recycling programs, go to <http://www8.hp.com/us/en/hp-information/environment/product-recycling.html>.

 **NOTE:** HP recommends responsible disposal of the defective assembly.

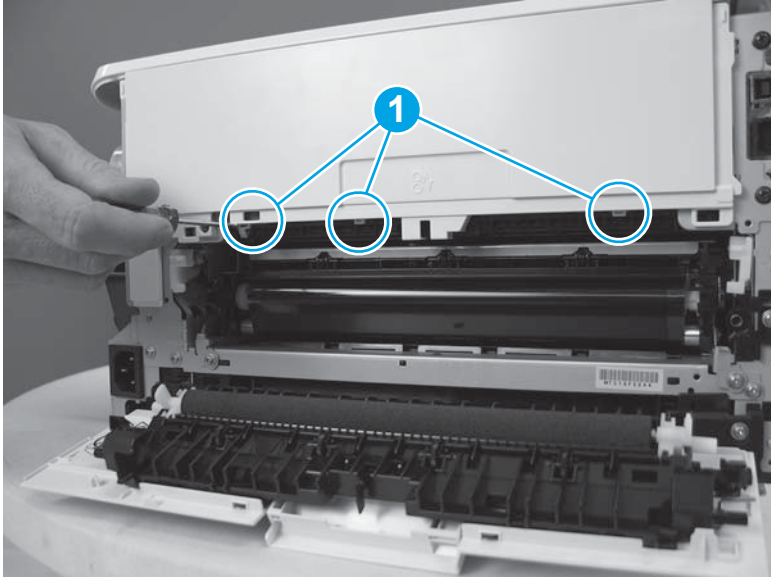
Figure 1-165 Recycle and unpack



Step 3: Install the rear cover

- ▲ On the rear cover, set the cover in place, and then engage three tabs (callout 1) at the bottom of the cover.

Figure 1-166 Install the simplex model rear cover



Removal and replacement: Rear door and rear door assembly (simplex models)


- [Introduction](#)
- [Step 1: Remove the rear bottom cover](#)
- [Step 2: Remove the rear door and rear door assembly](#)
- [Step 3: Unpack a replacement rear door assembly](#)
- [Step 4: Install the rear door assembly](#)
- [Step 5: Install the rear bottom cover](#)

Introduction

This document provides the procedures to remove and replace the rear door assembly.

Before you begin

- Turn off the printer.
- Disconnect the power cable.

 **WARNING!** To avoid damage to the printer, turn the printer off, wait 30 seconds, and then remove the power cord before attempting to service the printer.

- Use the table below to identify the correct part number for your printer. To order the part, go to www.hp.com/buy/parts.

Rear door assembly part number	
RM2-5579-000CN	Rear door assembly, simplex models
RM2-5580-000CN	Rear door assembly, duplex models

Required tools

- #2 Phillips screwdriver with a magnetic tip
- Small flat-blade screwdriver

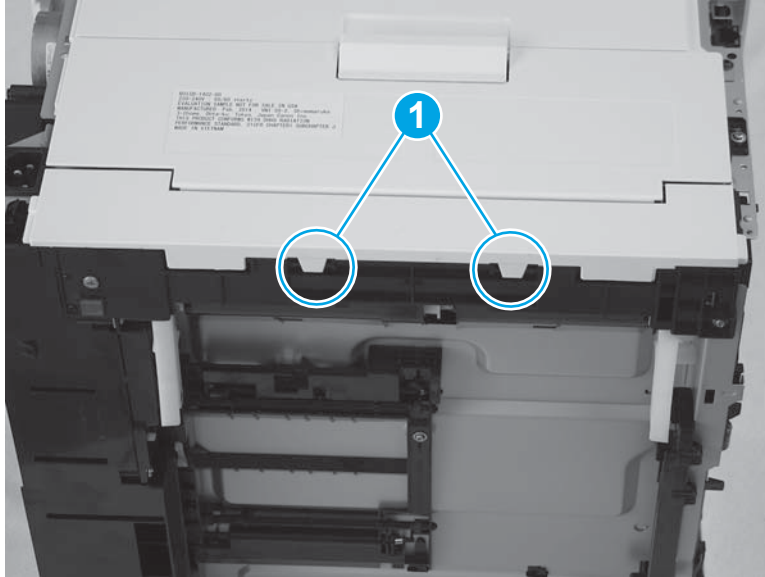
After performing service

- Connect the power cable.
- Use the power switch to turn the power on.

Step 1: Remove the rear bottom cover

- ▲ Turn the printer rear side up, so that it is resting on the closed front door. On the rear bottom cover, release two tabs (callout 1) at the bottom of the cover.

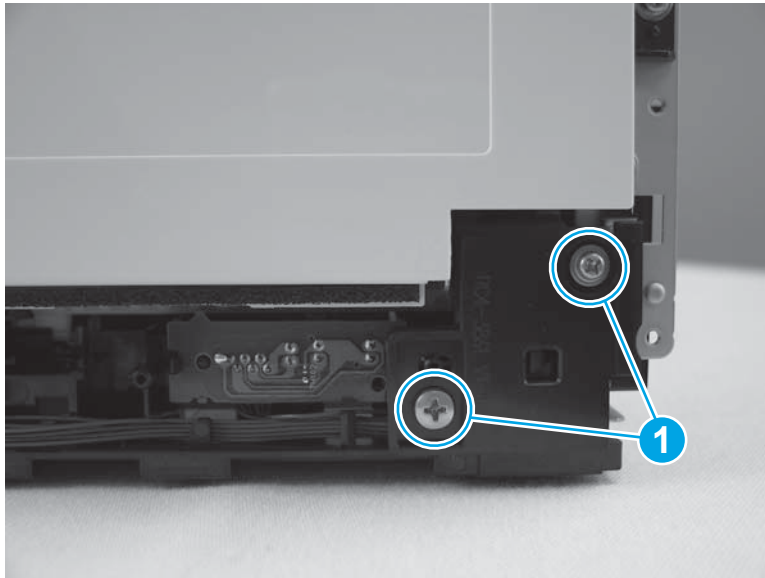
Figure 1-167 Remove the simplex model rear bottom cover



Step 2: Remove the rear door and rear door assembly

- ▲ On the lower right corner at the rear of the printer, remove two screws (callout 1), and then remove the rear door.

Figure 1-168 Remove the simplex model rear door



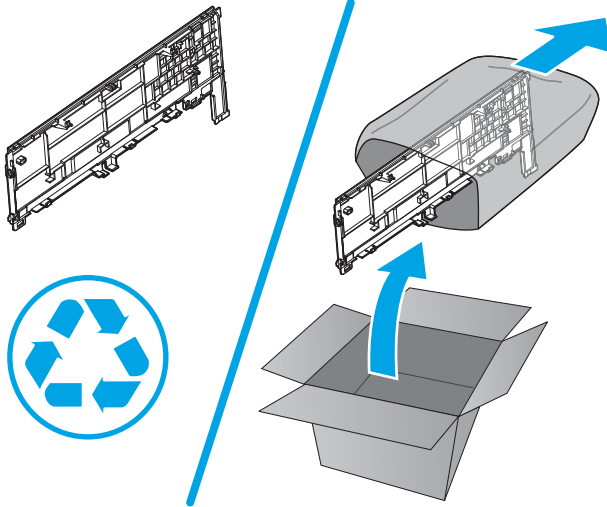
Step 3: Unpack a replacement rear door assembly

Remove the new rear door assembly from its package. Save all packaging for recycling the used part.

For complete information on HP's recycling programs, go to <http://www8.hp.com/us/en/hp-information/environment/product-recycling.html>.

 **NOTE:** HP recommends responsible disposal of the defective assembly.

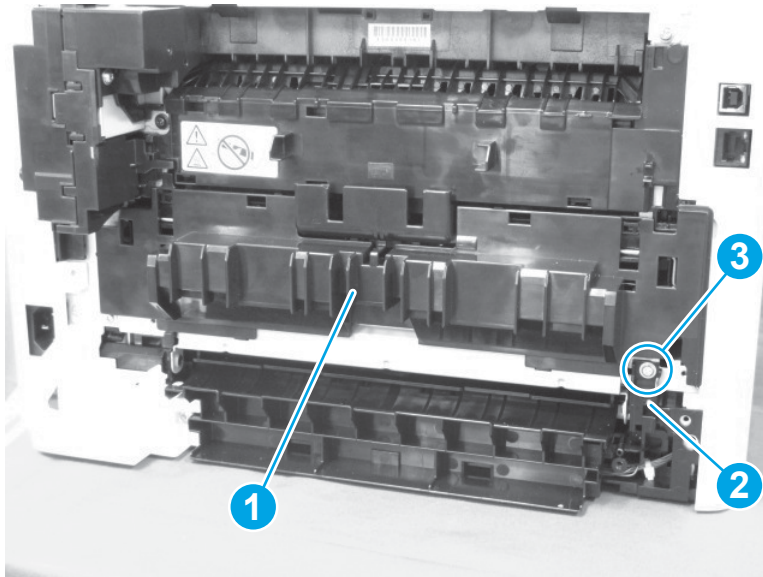
Figure 1-169 Recycle and unpack



Step 4: Install the rear door assembly

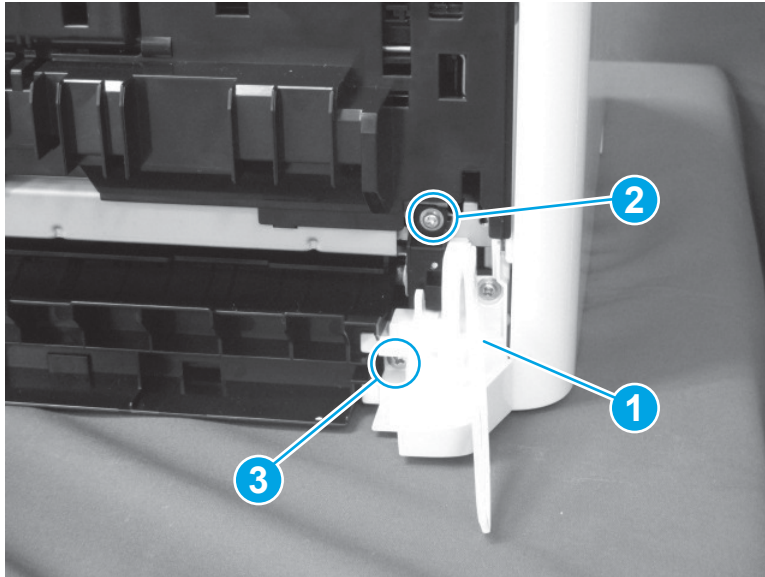
1. On the rear side of the printer, set the assembly (callout 1) in place on the chassis, set the holder (callout 2) in place, and then install one screw (callout 3).

Figure 1-170 Install the rear door assembly (1 of 2)



2. Set the holder (callout 1) in place, install one screw (callout 2), and then install one M4 tapping screw (callout 3).

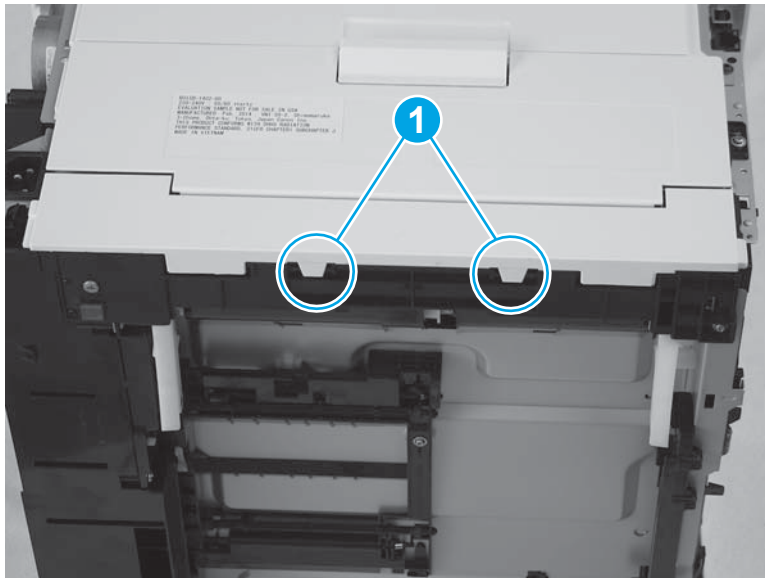
Figure 1-171 Install the rear door assembly (2 of 2)



Step 5: Install the rear bottom cover

- ▲ Turn the printer rear side up, so that it is resting on the closed front door. On the rear bottom cover, set the cover in place, and then engage two tabs (callout 1) at the bottom of the cover.

Figure 1-172 Install the simplex model rear bottom cover



Removal and replacement: Rear bottom cover (simplex models)


- [Introduction](#)
- [Step 1: Remove the rear bottom cover](#)
- [Step 2: Unpack a replacement rear bottom cover](#)
- [Step 3: Install the rear bottom cover](#)

Introduction

This document provides the procedures to remove and replace the rear bottom cover on simplex models.

Before you begin

- Turn off the printer.
- Disconnect the power cable.

 **WARNING!** To avoid damage to the printer, turn the printer off, wait 30 seconds, and then remove the power cord before attempting to service the printer.

- Use the table below to identify the correct part number for your printer. To order the part, go to www.hp.com/buy/parts.

Rear bottom cover (simplex models) part number	
RC4-3820-000CN	Rear bottom cover (simplex models)

Required tools

- #2 Phillips screwdriver with a magnetic tip

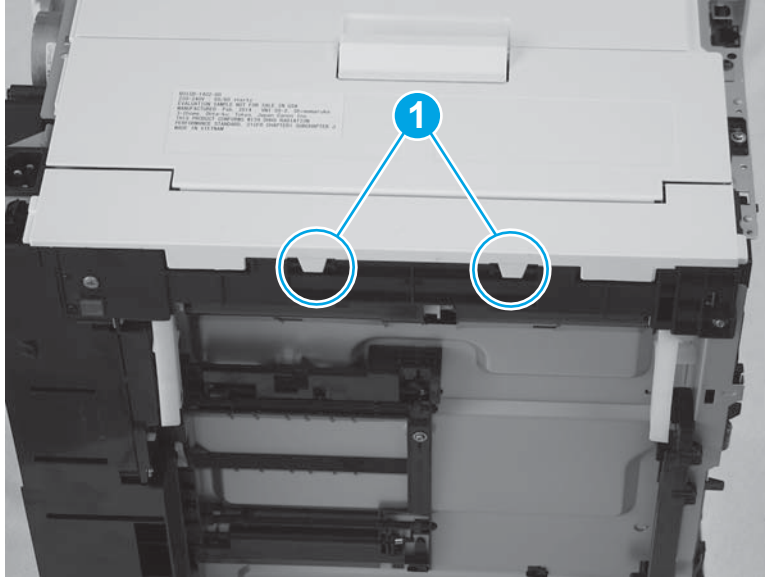
After performing service

- Connect the power cable.
- Use the power switch to turn the power on.

Step 1: Remove the rear bottom cover

- ▲ Turn the printer rear side up, so that it is resting on the closed front door. On the rear bottom cover, release two tabs (callout 1) at the bottom of the cover.

Figure 1-173 Remove the simplex model rear bottom cover



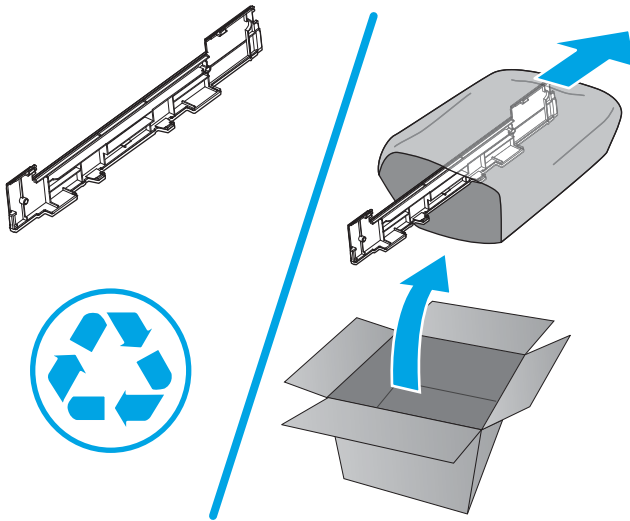
Step 2: Unpack a replacement rear bottom cover

Remove the new rear bottom cover from its package. Save all packaging for recycling the used part.

For complete information on HP's recycling programs, go to <http://www8.hp.com/us/en/hp-information/environment/product-recycling.html>.

 **NOTE:** HP recommends responsible disposal of the defective assembly.

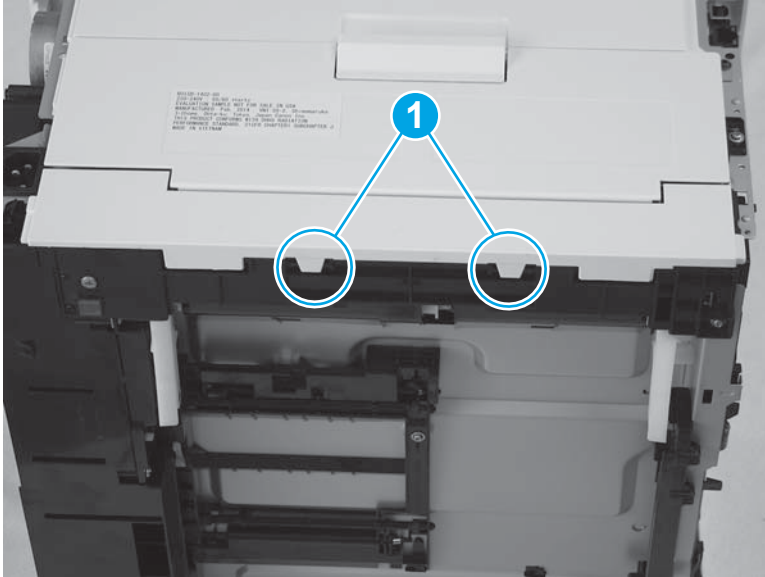
Figure 1-174 Recycle and unpack



Step 3: Install the rear bottom cover

- ▲ Turn the printer rear side up, so that it is resting on the closed front door. On the rear bottom cover, set the cover in place, and then engage two tabs (callout 1) at the bottom of the cover.

Figure 1-175 Install the simplex model rear bottom cover



Removal and replacement: Touchscreen control panel (M252dw models)


- [Introduction](#)
- [Step 1: Remove Tray 2](#)
- [Step 2: Open the front door and rear door or duplexer door](#)
- [Step 3: Remove the right cover](#)
- [Step 4: Remove the left cover](#)
- [Step 5: Remove the M252dw top cover](#)
- [Step 6: Remove the touchscreen control panel](#)
- [Step 7: Unpack a replacement touchscreen control panel](#)
- [Step 8: Install the touchscreen control panel](#)
- [Step 9: Install the M252dw top cover](#)
- [Step 10: Install the left cover](#)
- [Step 11: Install the right cover](#)
- [Step 12: Close the front door and rear door or duplexer door](#)
- [Step 13: Install Tray 2](#)

Introduction

This document provides instructions about removing and replacing the M252dw touchscreen control panel.

Before you begin

- Turn off the printer.
- Disconnect the power cable.

 **WARNING!** To avoid damage to the printer, turn the printer off, wait 30 seconds, and then remove the power cord before attempting to service the printer.

- Use the table below to identify the correct part number for your printer. To order the part, go to www.hp.com/buy/parts.

M252dw control panel kit part number	
--------------------------------------	--

CZ196-60301CN	M252dw control panel with instruction guide
---------------	---

Required tools

- #2 Phillips screwdriver with a magnetic tip

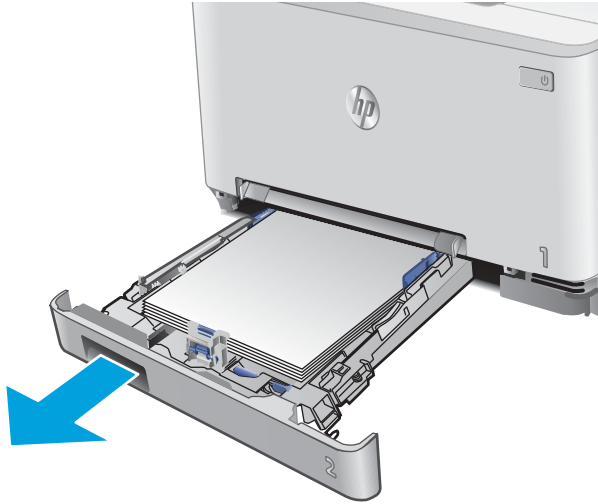
After performing service

- Connect the power cable.
- Use the power switch to turn the power on.

Step 1: Remove Tray 2

- ▲ Using the handle on the face of Tray 2, pull the tray completely out of the printer.

Figure 1-176 Remove Tray 2



Step 2: Open the front door and rear door or duplexer door

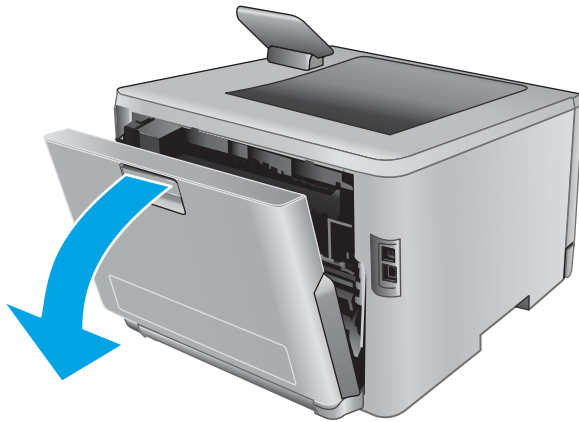
1. Open the front door.

Figure 1-177 Open the front door and rear door or duplexer door (1 of 2)



2. Use the latch release to open the rear door (simplex models) or duplexer door (duplex models).

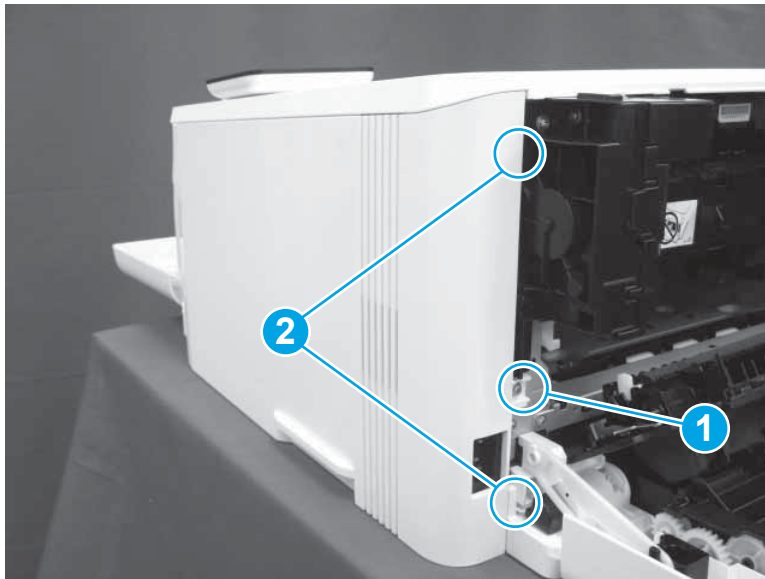
Figure 1-178 Open the front door and rear door or duplexer door (2 of 2)



Step 3: Remove the right cover

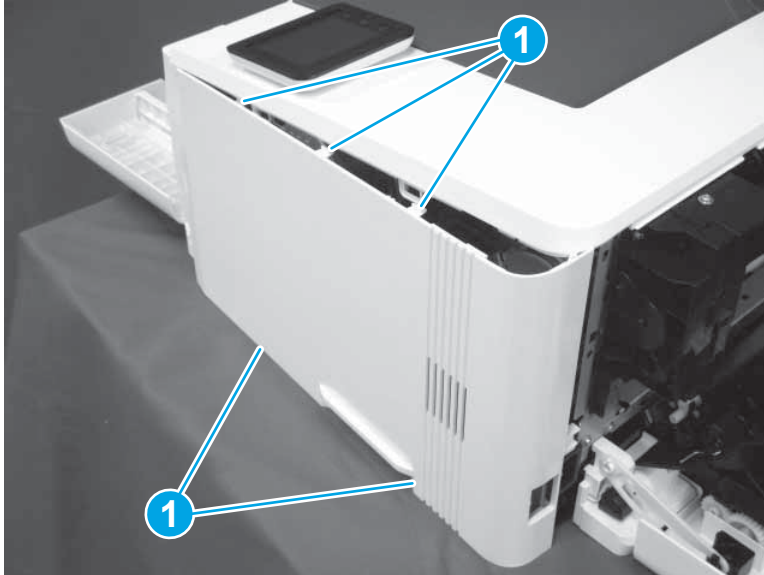
1. At the rear of the printer, remove one screw (callout 1), and then release two tabs (callout 2).

Figure 1-179 Remove the right cover (1 of 3)



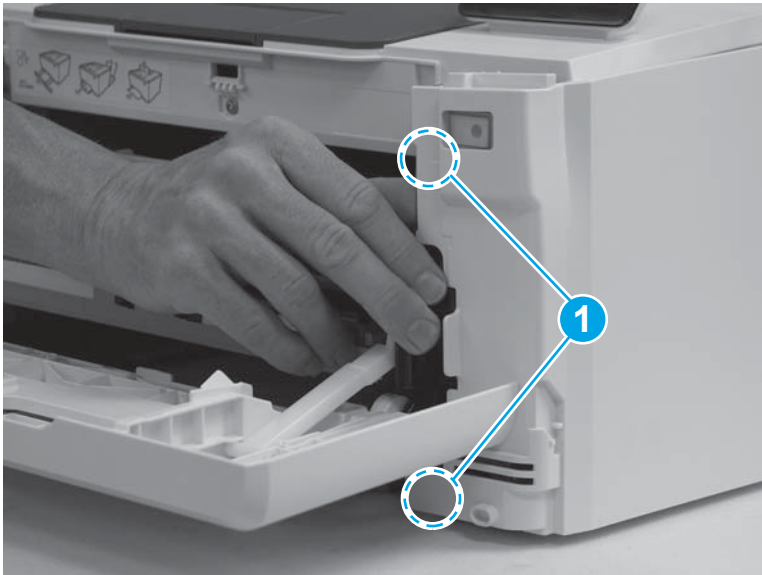
2. Release five tabs (callout 1) along the top and bottom of the cover. Releasing the top tabs first can ease this task.

Figure 1-180 Remove the right cover (2 of 3)



3. At the front of the printer, release two tabs (callout 1), and then remove the cover from the printer.

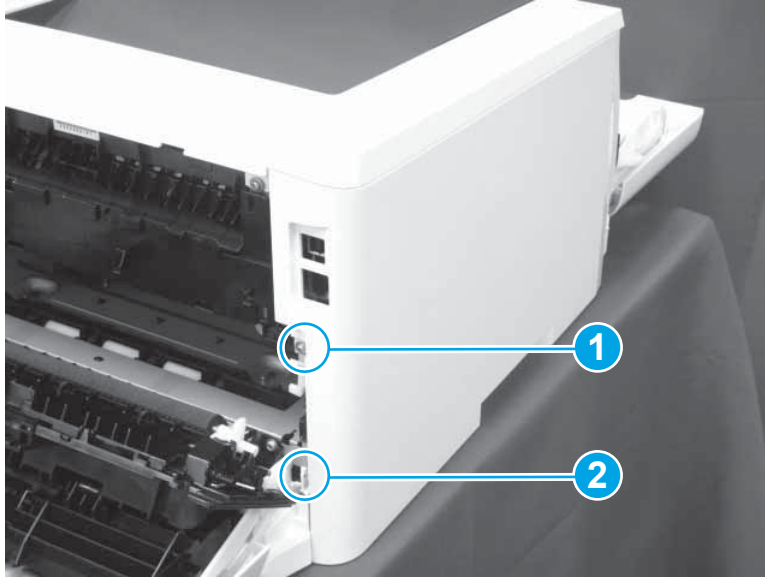
Figure 1-181 Remove the right cover (3 of 3)



Step 4: Remove the left cover

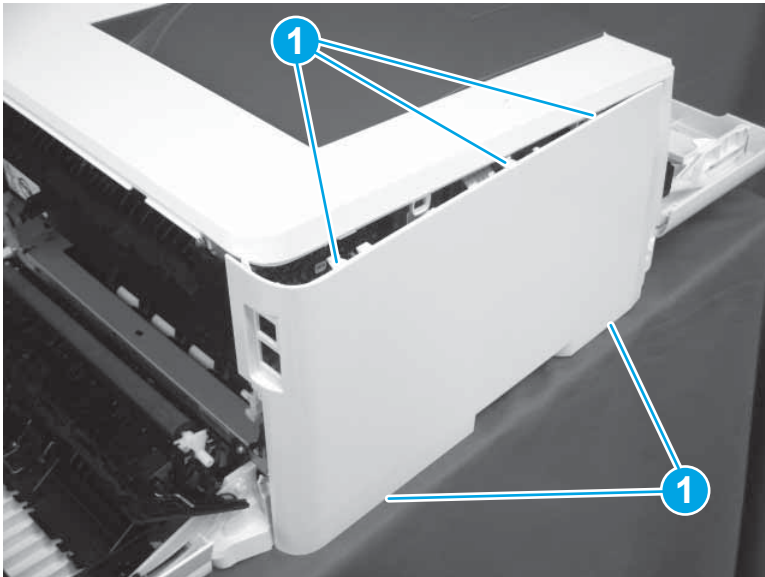
1. At the rear of the printer, remove one screw (callout 1), and then release one tab (callout 2).

Figure 1-182 Remove the left cover (1 of 3)



2. Starting at the top edge, release five tabs (callout 1)

Figure 1-183 Remove the left cover (2 of 3)



3. Move the printer so that the left cover is over the edge of the work surface. Pull the top of the cover down at approximately 45-degree angle to remove it.

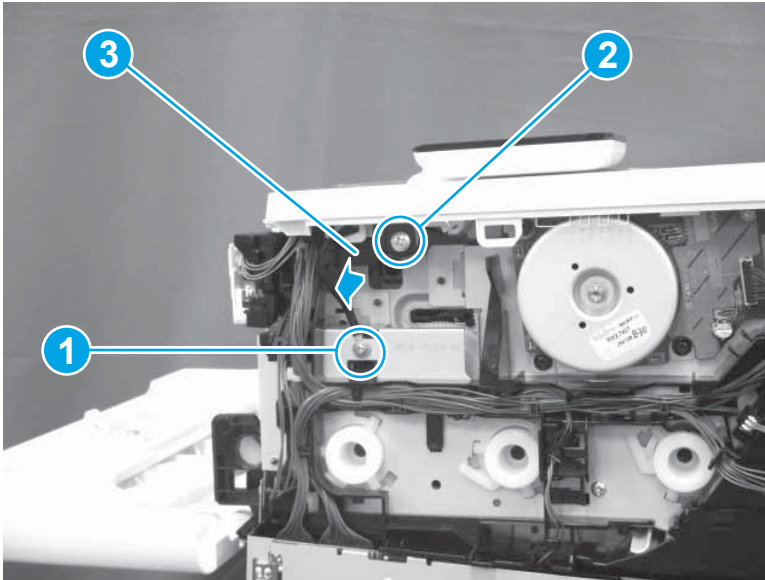
Figure 1-184 Remove the left cover (3 of 3)



Step 5: Remove the M252dw top cover

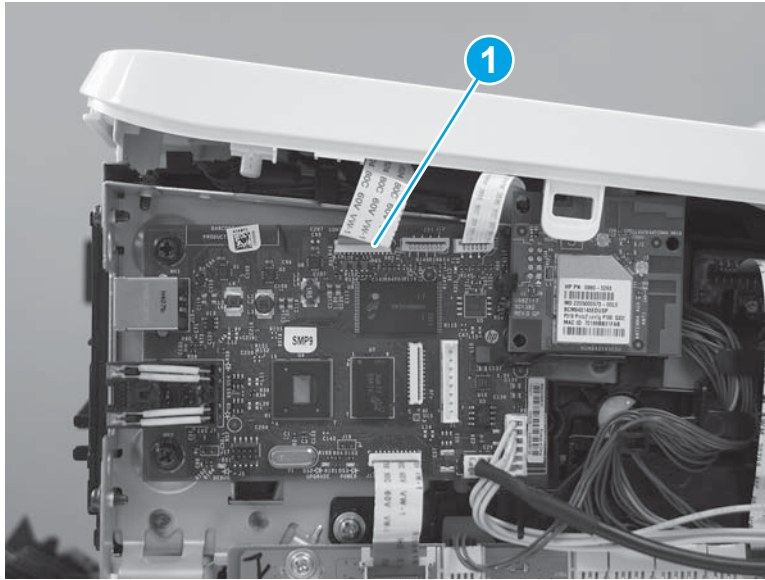
1. On the right side of the printer, remove one screw (callout 1), remove one larger M4 tapping screw (callout 2), and pull the plastic guide (callout 3) away from the printer to separate it from the chassis.

Figure 1-185 Remove the M252dw top cover (1 of 3)



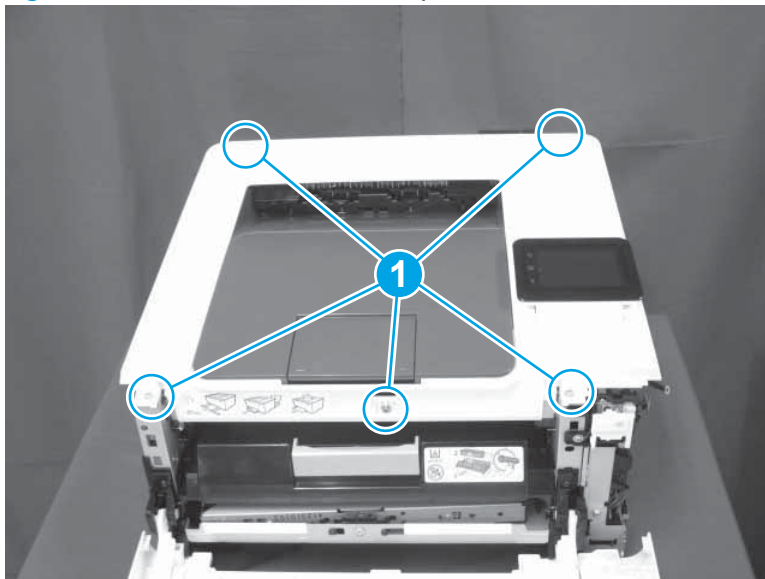
2. On the left side of the printer, on the formatter PCA, disconnect one flat cable (callout 1).

Figure 1-186 Remove the M252dw top cover (2 of 3)



3. Remove five screws (callout 1) — three screws at the front and two screws at the rear — and then remove the cover.

Figure 1-187 Remove the M252dw top cover (3 of 3)

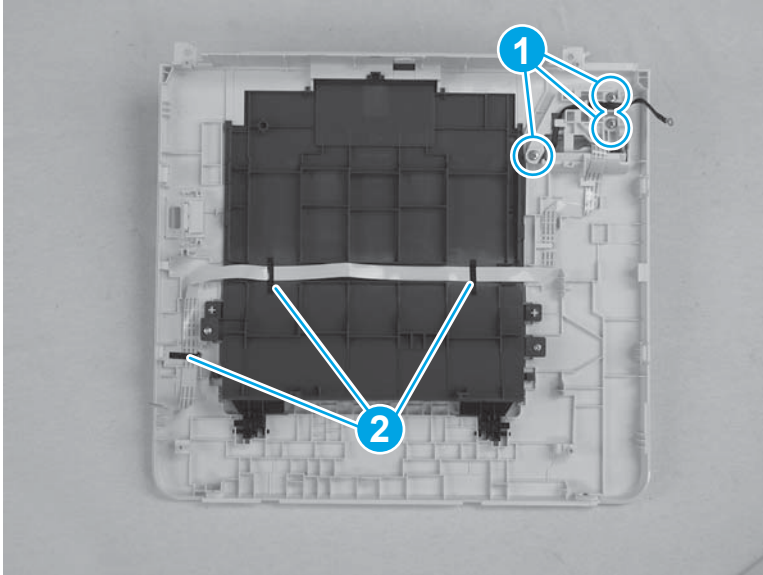


Step 6: Remove the touchscreen control panel

1. On the underside of the top cover, remove three screws (callout 1), and then carefully unfasten the tape strips (callout 2) to unroute the control-panel flat cable.

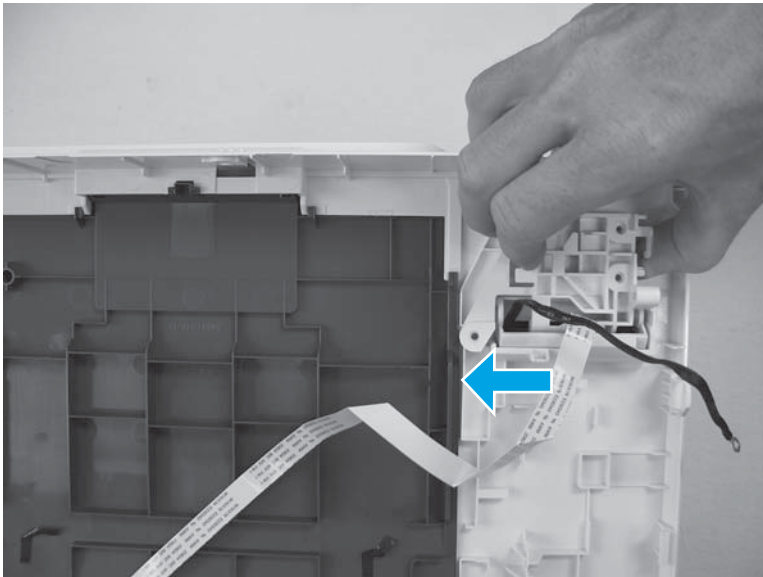
 **TIP:** HP recommends keeping the tape strips for reuse when the control panel is reinstalled.

Figure 1-188 Remove the M252dw control panel (1 of 3)



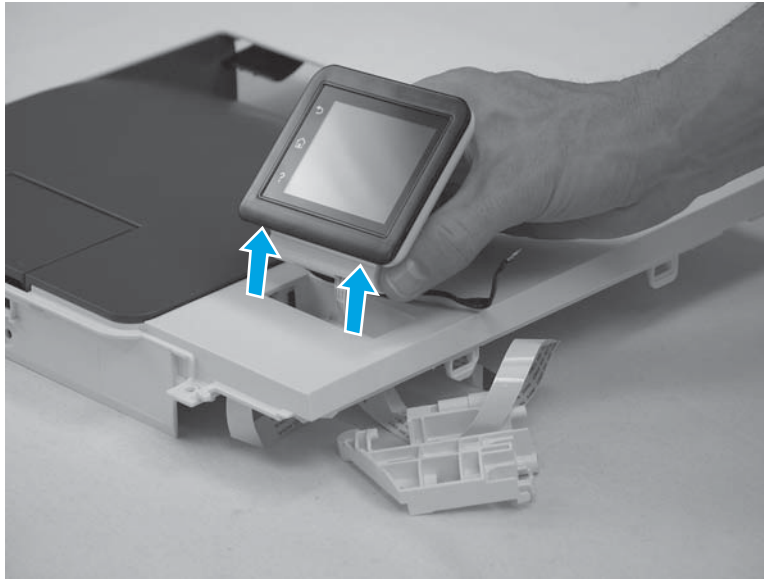
2. Move the control-panel assembly in the direction indicated.

Figure 1-189 Remove the M252dw control panel (2 of 3)



3. Pull the assembly away from the top side of the top cover to remove it.

Figure 1-190 Remove the M252dw control panel (3 of 3)



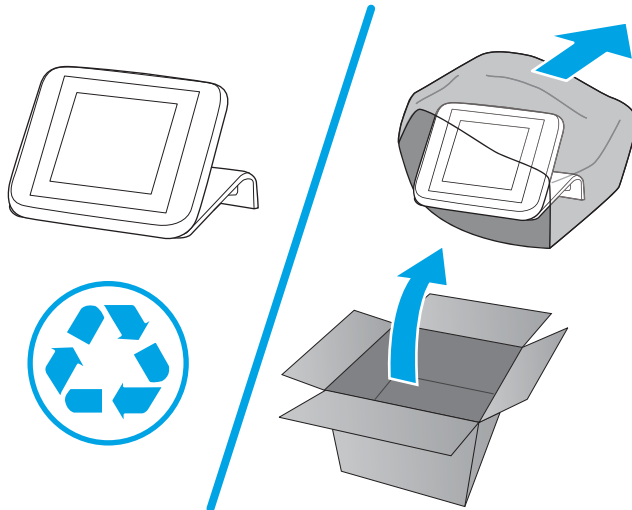
Step 7: Unpack a replacement touchscreen control panel

Remove the new touchscreen control panel from its package. Save all packaging for recycling the used part.

For complete information on HP's recycling programs, go to <http://www8.hp.com/us/en/hp-information/environment/product-recycling.html>.

 **NOTE:** HP recommends responsible disposal of the defective assembly.

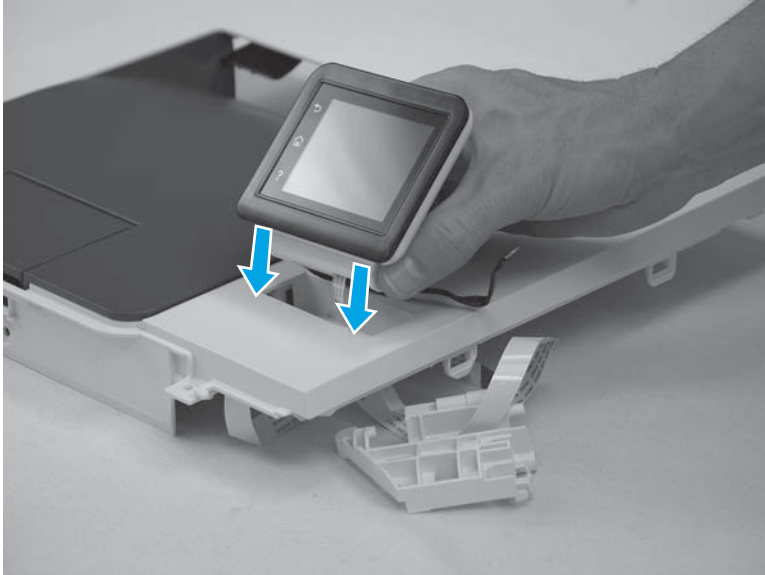
Figure 1-191 Recycle and unpack



Step 8: Install the touchscreen control panel

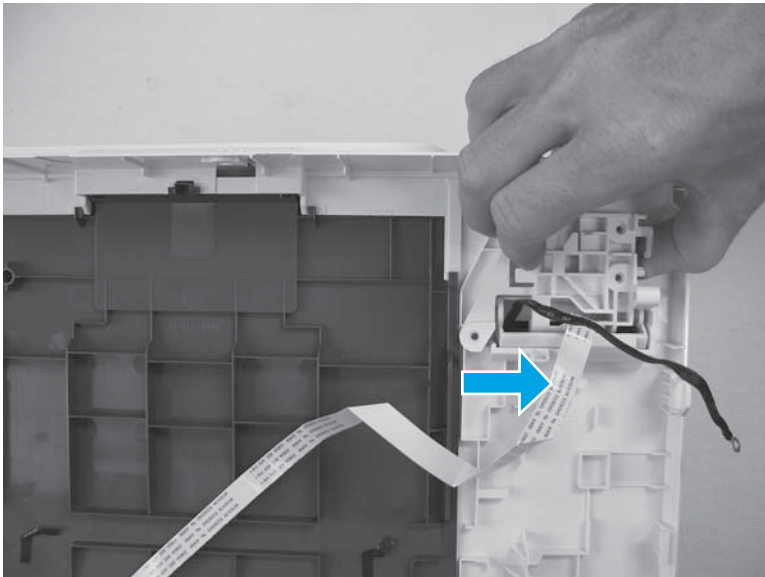
1. On the top side of the top cover, set the control panel assembly in place.

Figure 1-192 Install the M252dw control panel (1 of 3)



2. On the underside of the top cover, move the control-panel assembly in the direction indicated.

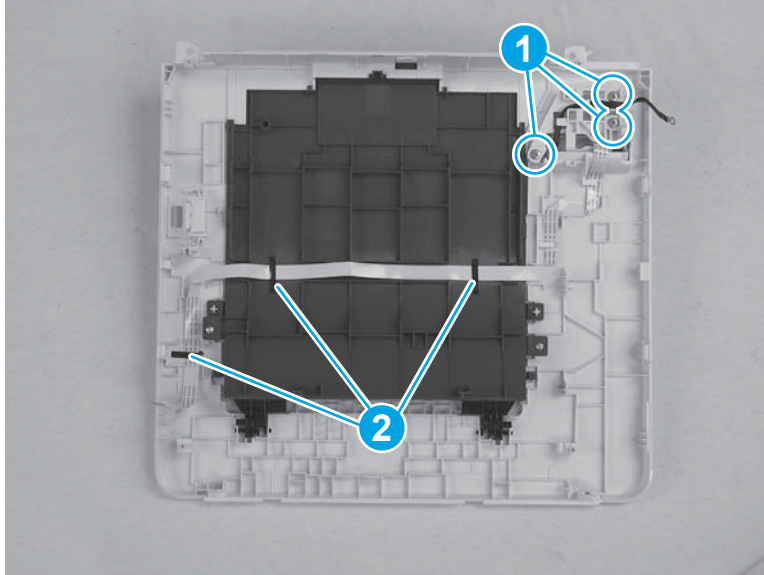
Figure 1-193 Install the M252dw control panel (2 of 3)



3. On the underside of the top cover, install three screws (callout 1), and then carefully fasten the tape strips (callout 2) to affix the control-panel flat cable to the cover.

CAUTION: Ensure that the control-panel cable is securely fastened to the control panel and the top cover. Pinching the cable between the cover and the chassis can damage the cable.

Figure 1-194 Install the M252dw control panel (3 of 3)

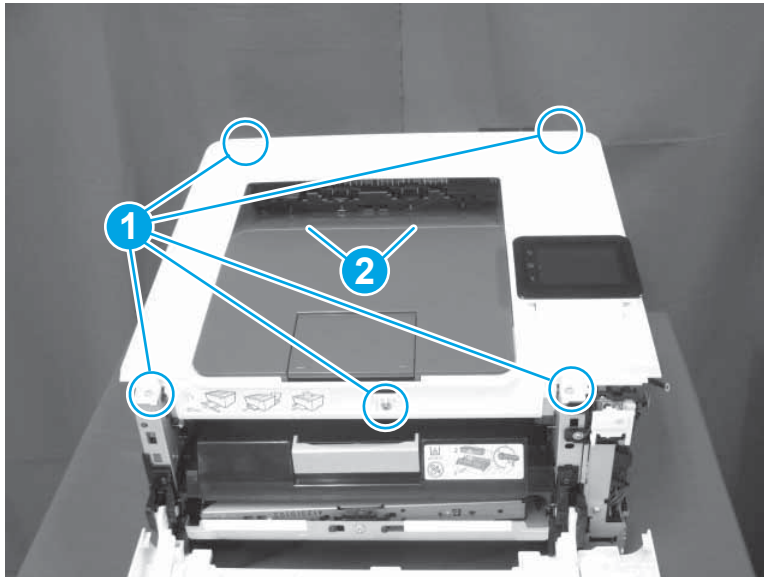


Step 9: Install the M252dw top cover

1. Set the cover in place, and then install five screws (callout 1) — three screws at the front and two screws at the rear.

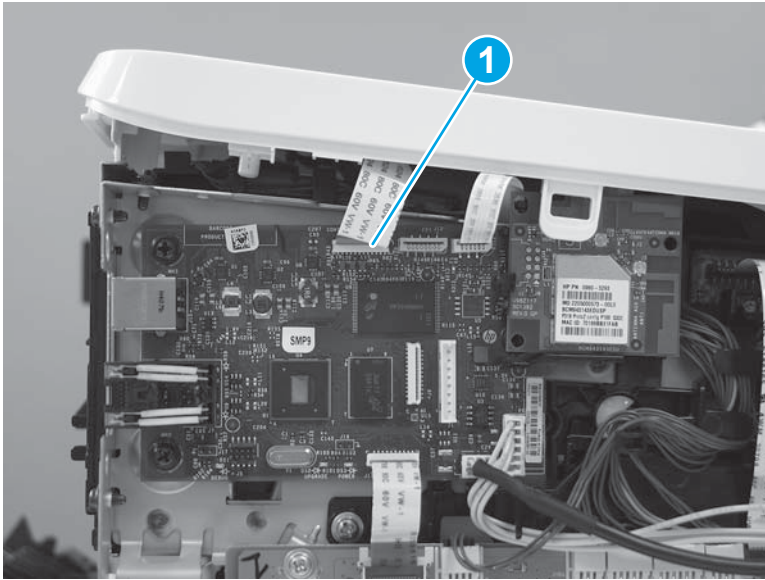
IMPORTANT: Before installing the screws, press down along the rear edge of the cover (callout 2) to engage two retaining tabs (the tabs should snap into place).

Figure 1-195 Install the M252dw top cover (1 of 3)



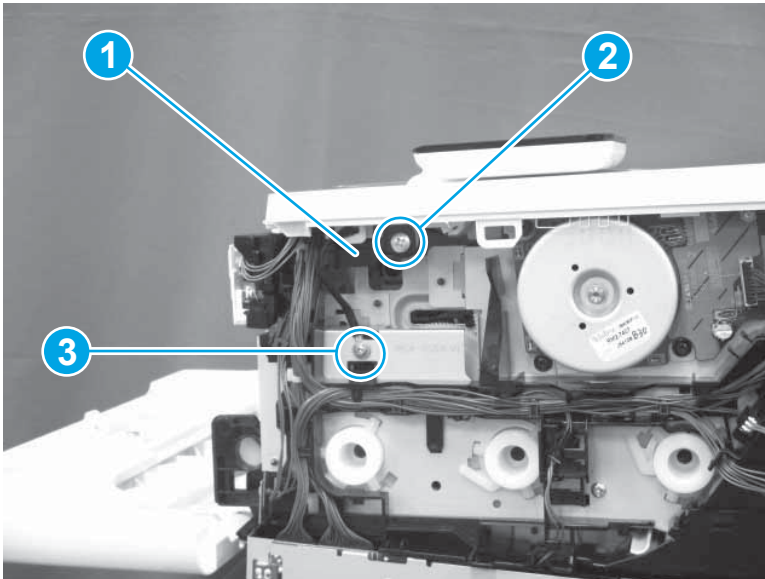
2. On the left side of the printer, on the formatter PCA, connect one flat cable (callout 1).

Figure 1-196 Install the M252dw top cover (2 of 3)



3. On the right side of the printer, push the plastic guide (callout 1) into the chassis, install one M4 tapping screw (callout 2), and install one screw (callout 3) to fasten the ground wire to the chassis.

Figure 1-197 Install the M252dw top cover (3 of 3)



Step 10: Install the left cover

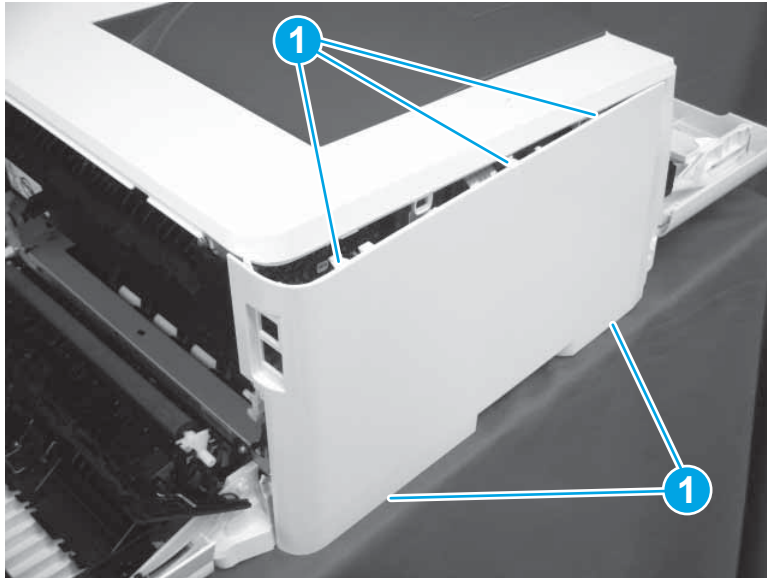
1. Engage the bottom front cover tab in the chassis, and then raise the top part of the cover to set the front tabs in place.

Figure 1-198 Install the left cover (1 of 3)



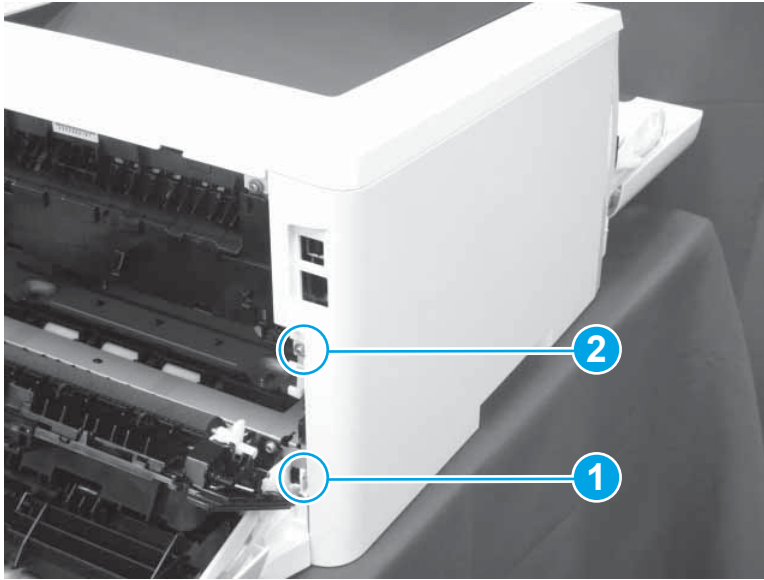
2. Working from the front edge to the back edge, engage five tabs (callout 1) along the top and bottom of the cover.

Figure 1-199 Install the left cover (2 of 3)



3. At the rear of the printer, engage one tab (callout 1), and then install one screw (callout 2).

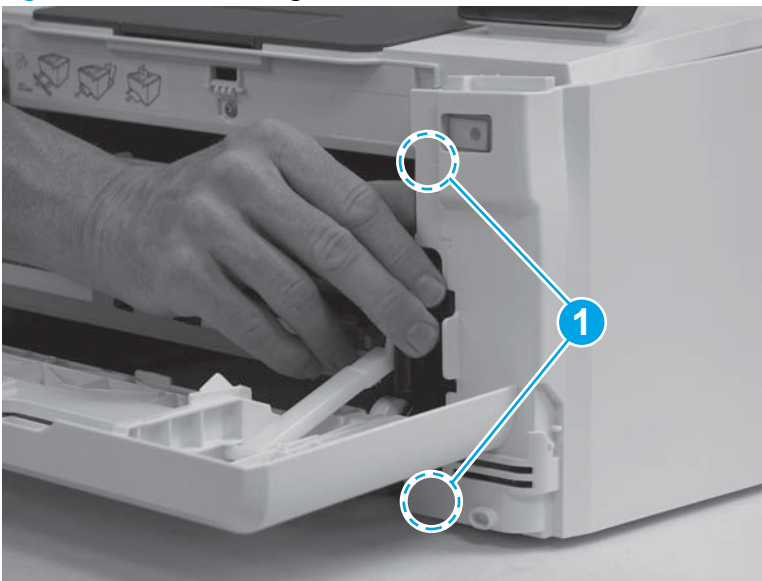
Figure 1-200 Install the left cover (3 of 3)



Step 11: Install the right cover

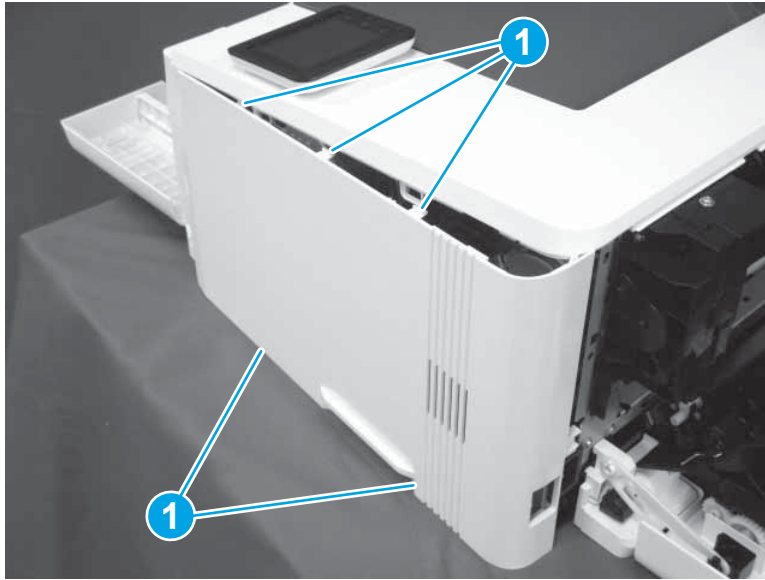
1. At the front of the printer, position two tabs (callout 1) in the chassis.

Figure 1-201 Install the right cover (1 of 3)



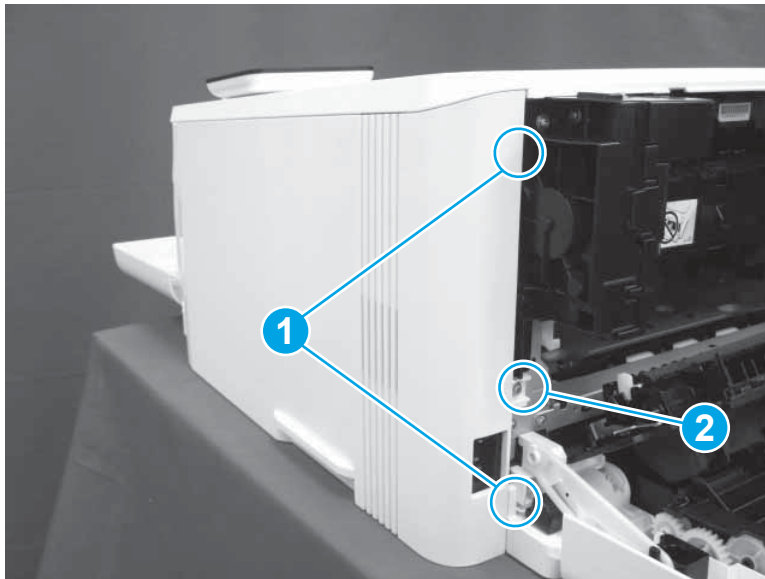
2. Moving from the front to the back, set five tabs (callout 1) along the top and bottom of the cover.

Figure 1-202 Install the right cover (2 of 3)



3. At the rear of the printer, set two tabs (callout 1), and then install one screw (callout 2).

Figure 1-203 Install the right cover (3 of 3)



Step 12: Close the front door and rear door or duplexer door

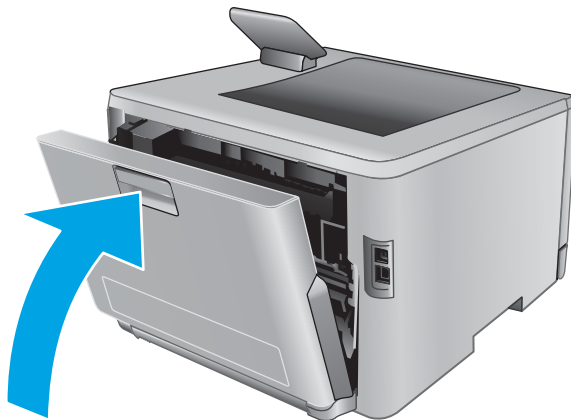
1. Close the front door.

Figure 1-204 Close the front door and rear door or duplexer door (1 of 2)



2. Close the rear door (simplex models) or duplexer door (duplex models).

Figure 1-205 Close the front door and rear door or duplexer door (2 of 2)



Step 13: Install Tray 2

- ▲ Align Tray 2 with the tray cavity, and then push the tray into the printer.

Figure 1-206 Install Tray 2



Removal and replacement: Touchscreen control panel (M274, M277 models)


- [Introduction](#)
- [Step 1: Remove the touchscreen control panel](#)
- [Step 2: Unpack a replacement touchscreen control panel](#)
- [Step 3: Install the touchscreen control panel](#)

Introduction

This document provides instructions about removing and replacing the M274 and M277 control panel.

Before you begin

- Turn off the printer.
- Disconnect the power cable.

 **WARNING!** To avoid damage to the printer, turn the printer off, wait 30 seconds, and then remove the power cord before attempting to service the printer.

- Use the table below to identify the correct part number for your printer. To order the part, go to www.hp.com/buy/parts.

M274, M277 control panel kit part number	
B3Q10-60139	M274, M277 control panel kit with instruction guide

Required tools

- #2 Phillips screwdriver with a magnetic tip
- Small flat-blade screwdriver

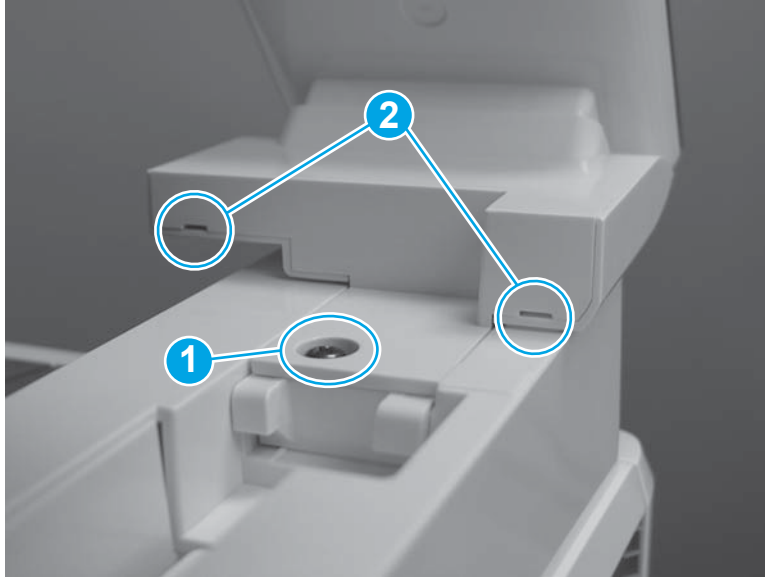
After performing service

- Connect the power cable.
- Use the power switch to turn the power on.

Step 1: Remove the touchscreen control panel

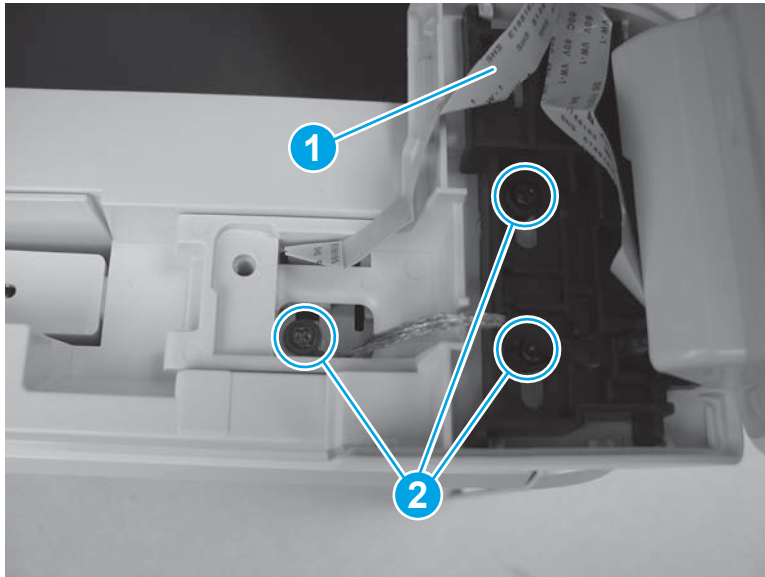
1. At the back of the control panel, remove one screw (callout 1), and then use a small flat-blade screwdriver in the two pry points (callout 2) to remove the cover.

Figure 1-207 Remove the M274, M277 control panel (1 of 6)



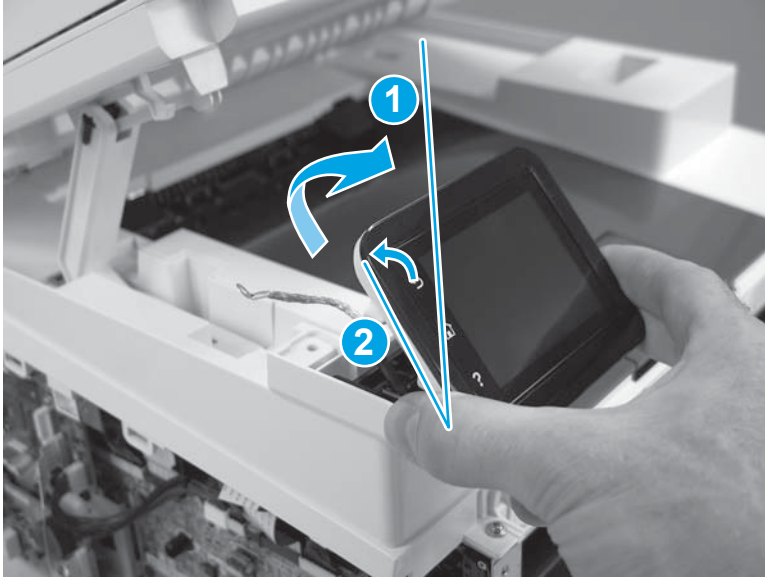
2. Unroute the flat cable (callout 1), and then remove three screws (callout 2).

Figure 1-208 Remove the M274, M277 control panel (2 of 6)



3. Move the control panel to the fully opened position (callout 1), and then rotate it back about 20 degrees (callout 2).

Figure 1-209 Remove the M274, M277 control panel (3 of 6)



4. Firmly move the assembly to the right 7-8 mm (0.26-0.31 in) (callout 1) to release two tabs from the posts at the base of the control panel.

Figure 1-210 Remove the M274, M277 control panel (4 of 6)



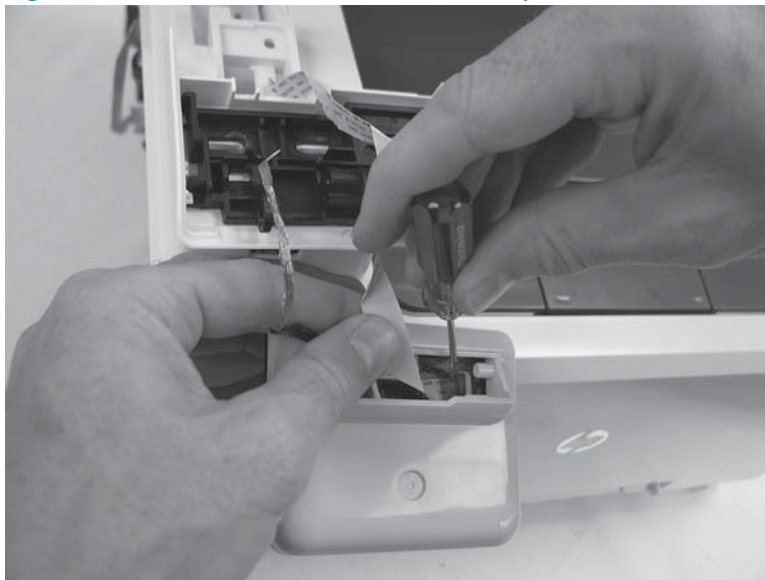
5. Rotate the control panel forward to release it (callout 1), and then remove it.

Figure 1-211 Remove the M274, M277 control panel (5 of 6)



6. Use the small flat-blade screw driver to unclasp the flat cable connector in the control panel.

Figure 1-212 Remove the M274, M277 control panel (6 of 6)



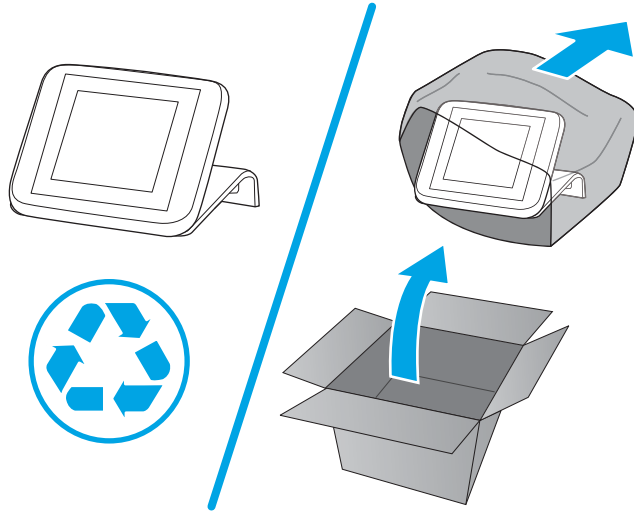
Step 2: Unpack a replacement touchscreen control panel

Remove the new touchscreen control panel from its package. Save all packaging for recycling the used part.

For complete information on HP's recycling programs, go to <http://www8.hp.com/us/en/hp-information/environment/product-recycling.html>.

 **NOTE:** HP recommends responsible disposal of the defective assembly.

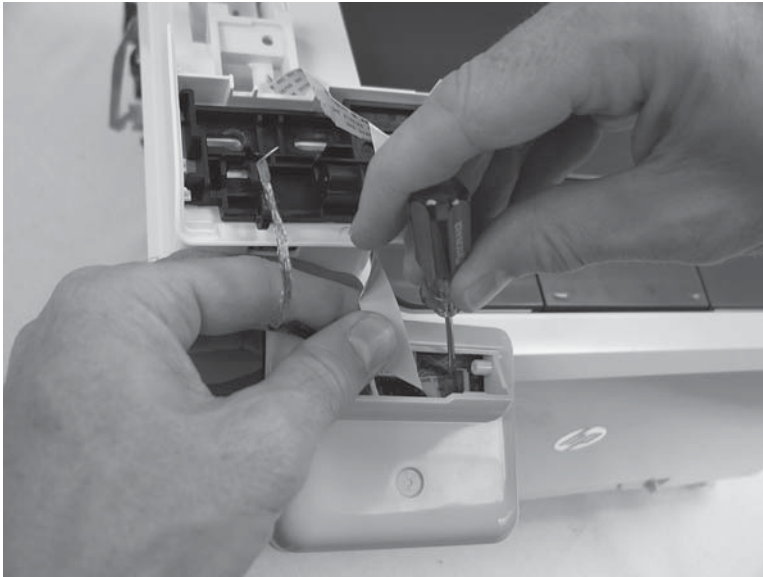
Figure 1-213 Recycle and unpack



Step 3: Install the touchscreen control panel

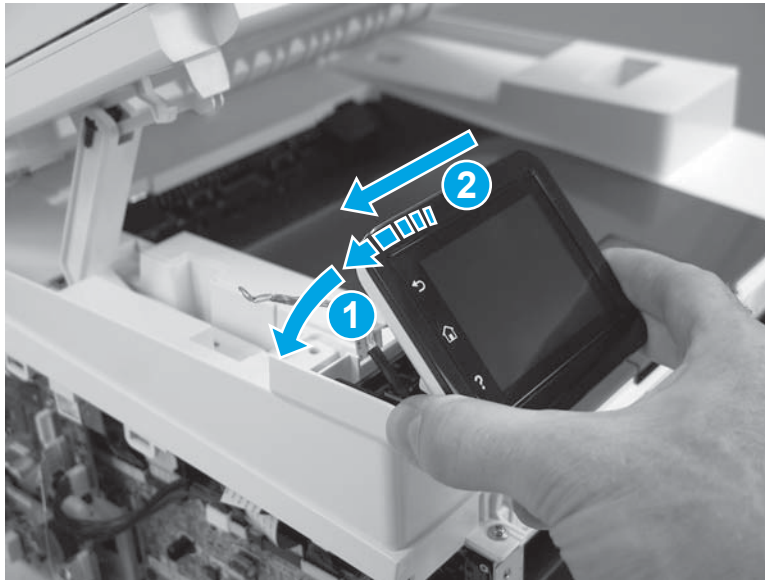
1. Use the small flat-blade screw driver to clasp the flat cable connector in the control panel. Ensure that the connection is solid.

Figure 1-214 Install the M274, M277 control panel (1 of 4)



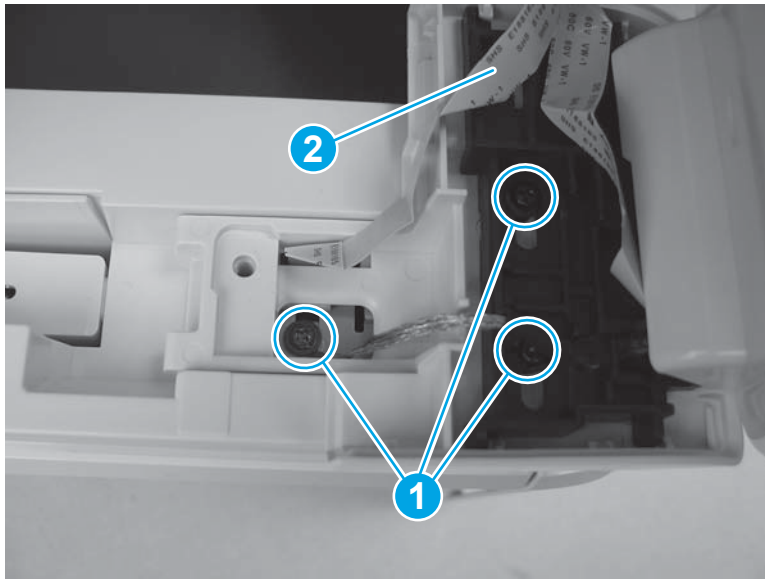
2. Position the control panel at about 20 degrees from the fully opened position (callout 1), and then carefully but firmly move the assembly to the left 7-8 mm (0.26-0.31 in) (callout 2) to engage the two tabs with the posts at the base of the control panel.

Figure 1-215 Install the M274, M277 control panel (2 of 4)



3. At the back of the control panel, install three screws (callout 1), and then fasten the flat cable (callout 2).

Figure 1-216 Install the M274, M277 control panel (3 of 4)



4. Snap the cover (callout 1) in place, and then install one screw (callout 2).


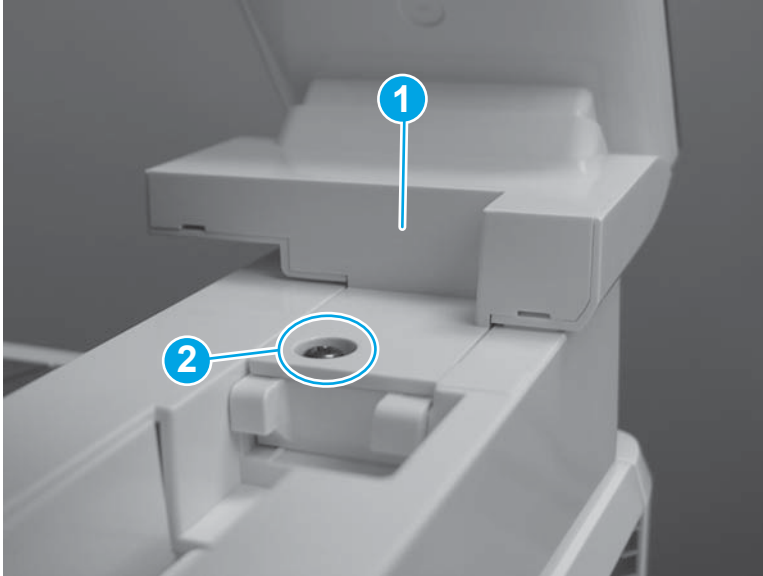
 **IMPORTANT:** Make sure that the front edge of the control panel is correctly installed and that it snaps into place.

Figure 1-217 Install the M274, M277 control panel (4 of 4)



Removal and replacement: Front-door assembly


- [Introduction](#)
- [Step 1: Remove Tray 2](#)
- [Step 2: Remove the front door](#)
- [Step 3: Unpack a replacement front door assembly](#)
- [Step 4: Install the front door](#)
- [Step 5: Install Tray 2](#)

Introduction

This document provides the procedures to remove and replace the front door.

Before you begin

- Turn off the printer.
- Disconnect the power cable.

 **WARNING!** To avoid damage to the printer, turn the printer off, wait 30 seconds, and then remove the power cord before attempting to service the printer.

- Use the table below to identify the correct part number for your printer. To order the part, go to www.hp.com/buy/parts.

Front door part numbers

RM2-5590-000CN	Front door, M252 models
RM2-5591-000CN	Front door, M274, M277 models

Required tools

- Small flat-blade screwdriver

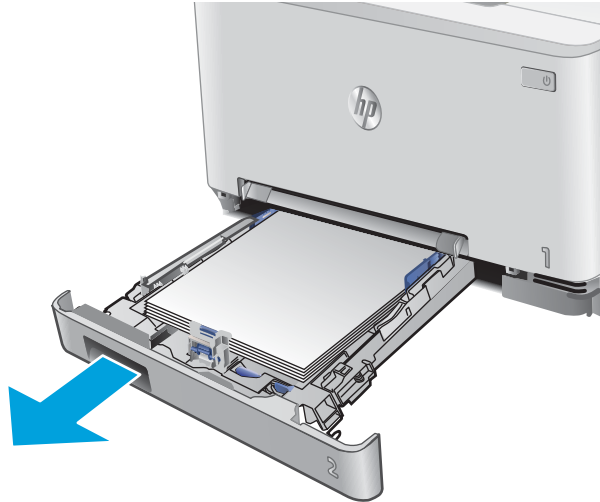
After performing service

- Connect the power cable.
- Use the power switch to turn the power on.

Step 1: Remove Tray 2

- ▲ Using the handle on the face of Tray 2, pull the tray completely out of the printer.

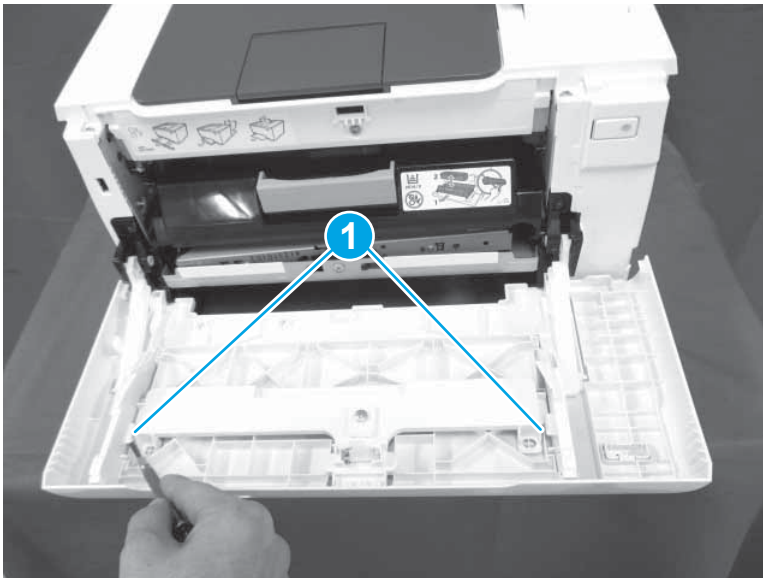
Figure 1-218 Remove Tray 2



Step 2: Remove the front door

1. On the inside of the door, locate the tabs (callout 1) that lock the door support arms to the door.

Figure 1-219 Remove the front door (1 of 2)



2. Use a small flat-blade screwdriver to release the tabs one side at a time by pressing them outward from the inside while firmly moving the door away from the printer until released. Pull the door away from the support arms.

Figure 1-220 Remove the front door (2 of 2)



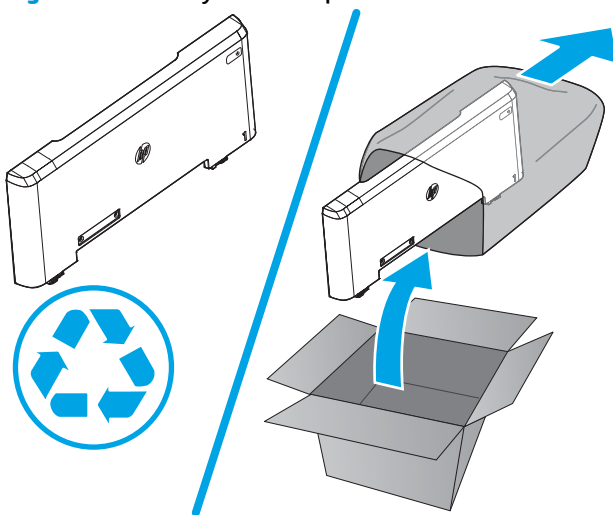
Step 3: Unpack a replacement front door assembly

Remove the new front door assembly from its package. Save all packaging for recycling the used part.

For complete information on HP's recycling programs, go to <http://www8.hp.com/us/en/hp-information/environment/product-recycling.html>.

 **NOTE:** HP recommends responsible disposal of the defective assembly.

Figure 1-221 Recycle and unpack



Step 4: Install the front door

- ▲ Engage the tabs on the support arms with the slots on the inside of the front door.

Figure 1-222 Install the front door



Step 5: Install Tray 2

- ▲ Align Tray 2 with the tray cavity, and then push the tray into the printer.

Figure 1-223 Install Tray 2



Removal and replacement: Rear door assembly (duplex models)


- [Introduction](#)
- [Step 1: Open the rear door or duplexer door](#)
- [Step 2: Remove the rear door assembly](#)
- [Step 3: Unpack a replacement rear door assembly](#)
- [Step 4: Install the rear door assembly](#)
- [Step 5: Close the duplexer door](#)

Introduction

This document provides the procedures to remove and replace the rear door assembly.

Before you begin

- Turn off the printer.
- Disconnect the power cable.

 **WARNING!** To avoid damage to the printer, turn the printer off, wait 30 seconds, and then remove the power cord before attempting to service the printer.

- Use the table below to identify the correct part number for your printer. To order the part, go to www.hp.com/buy/parts.

Rear door assembly part number	
--------------------------------	--

RM2-5579-000CN	Rear door assembly, simplex models
----------------	------------------------------------

RM2-5580-000CN	Rear door assembly, duplex models
----------------	-----------------------------------

Required tools

- #2 Phillips screwdriver with a magnetic tip
- Small flat-blade screwdriver

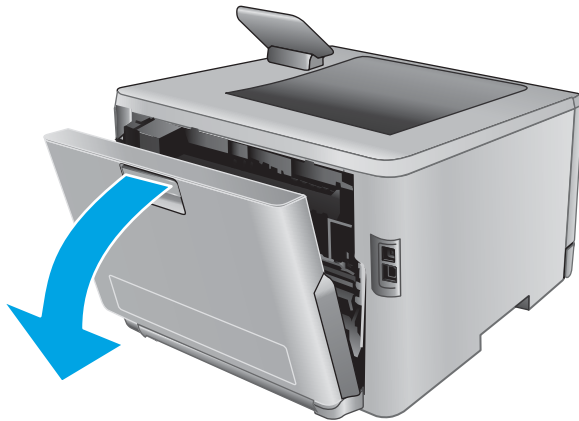
After performing service

- Connect the power cable.
- Use the power switch to turn the power on.

Step 1: Open the rear door or duplexer door

- ▲ Use the latch release to open the duplexer door.

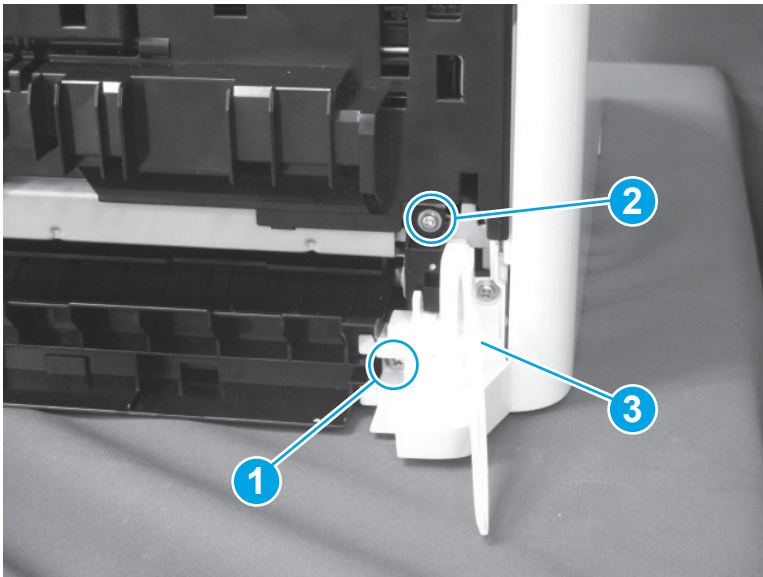
Figure 1-224 Open the duplexer door



Step 2: Remove the rear door assembly

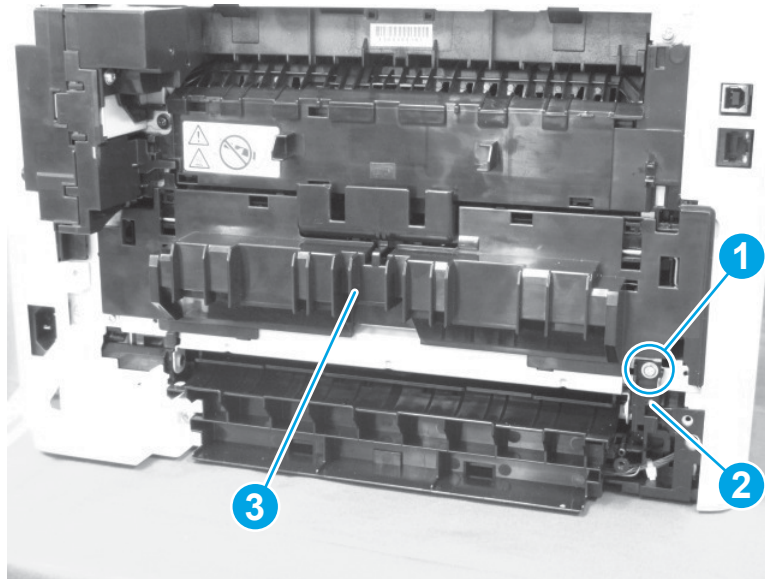
1. On the rear side of the printer, remove one M4 tapping screw (callout 1), remove one other screw (callout 2), and then remove the holder (callout 3).

Figure 1-225 Remove the rear door assembly (1 of 2)



2. Remove one screw (callout 1), remove the holder (callout 2), and then remove the assembly (callout 3) from the printer.

Figure 1-226 Remove the rear door assembly (2 of 2)



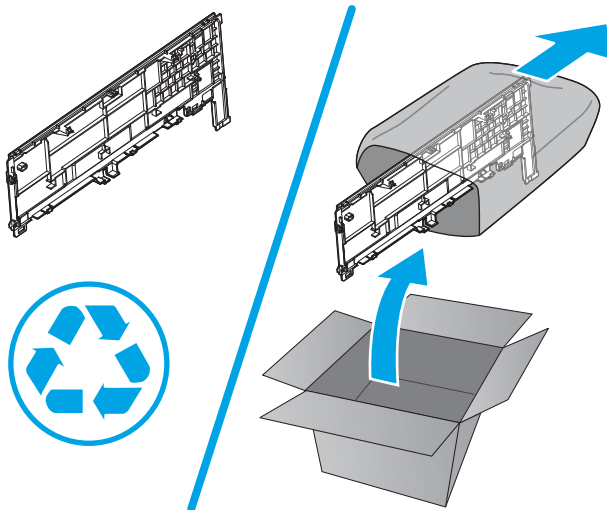
Step 3: Unpack a replacement rear door assembly

Remove the new rear door assembly from its package. Save all packaging for recycling the used part.

For complete information on HP's recycling programs, go to <http://www8.hp.com/us/en/hp-information/environment/product-recycling.html>.

 **NOTE:** HP recommends responsible disposal of the defective assembly.

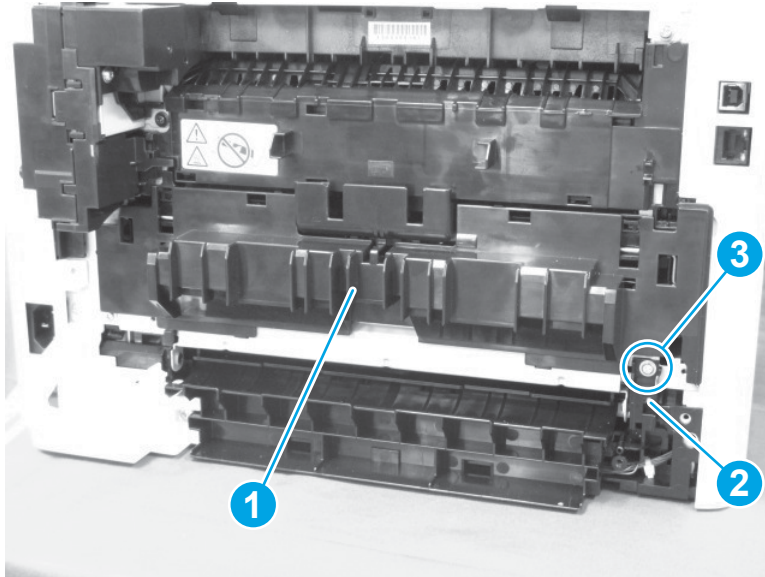
Figure 1-227 Recycle and unpack



Step 4: Install the rear door assembly

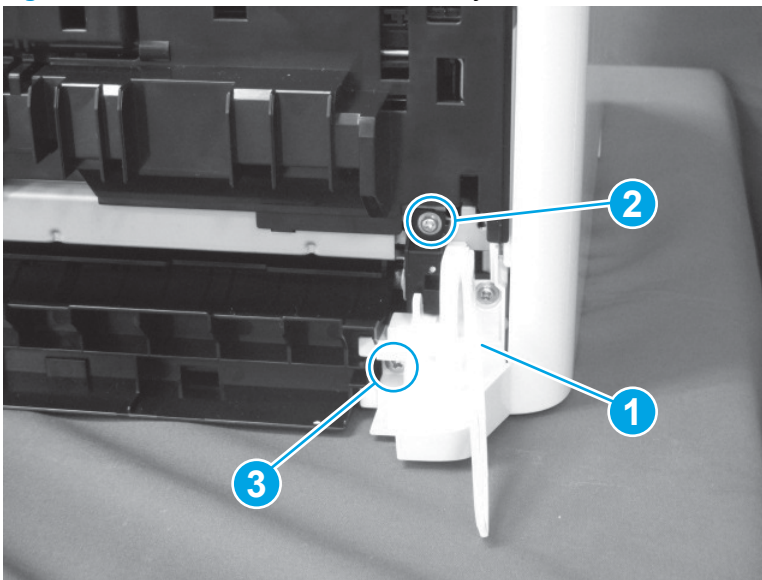
1. On the rear side of the printer, set the assembly (callout 1) in place on the chassis, set the holder (callout 2) in place, and then install one screw (callout 3).

Figure 1-228 Install the rear door assembly (1 of 2)



2. Set the holder (callout 1) in place, install one screw (callout 2), and then install one M4 tapping screw (callout 3).

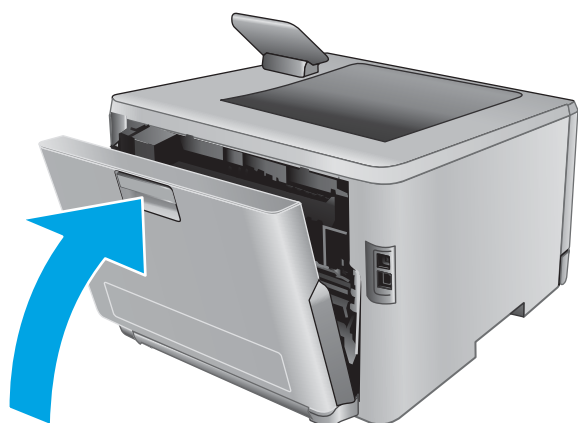
Figure 1-229 Install the rear door assembly (2 of 2)



Step 5: Close the duplexer door

- ▲ Lift the top of the door to close the duplexer door.

Figure 1-230 Close the duplexer door



Removal and replacement: Scanner (M274, M277 only)

Removal and replacement: Scanner


- [Introduction](#)
- [Step 1: Remove Tray 2](#)
- [Step 2: Open the front door and rear door or duplexer door](#)
- [Step 3: Remove the right cover](#)
- [Step 4: Remove the left cover](#)
- [Step 5: Remove the scanner](#)
- [Step 6: Unpack a replacement scanner assembly](#)
- [Step 7: Install the scanner](#)
- [Step 8: Install the left cover](#)
- [Step 9: Install the right cover](#)
- [Step 10: Close the front door and rear door or duplexer door](#)
- [Step 11: Install Tray 2](#)

Introduction

This document provides the procedures to remove and replace the scanner assembly.

Before you begin

- Turn off the printer.
- Disconnect the power cable.

 **WARNING!** To avoid damage to the printer, turn the printer off, wait 30 seconds, and then remove the power cord before attempting to service the printer.

- Use the table below to identify the correct part number for your printer. To order the part, go to www.hp.com/buy/parts.

Scanner assembly kit part number	
B3Q10-60125	Scanner assembly with instruction guide

Required tools

- #2 Phillips screwdriver with a magnetic tip
- Small flat-blade screwdriver

After performing service

- Connect the power cable.
- Use the power switch to turn the power on.

Step 1: Remove Tray 2

- ▲ Using the handle on the face of Tray 2, pull the tray completely out of the printer.

Figure 1-231 Remove Tray 2



Step 2: Open the front door and rear door or duplexer door

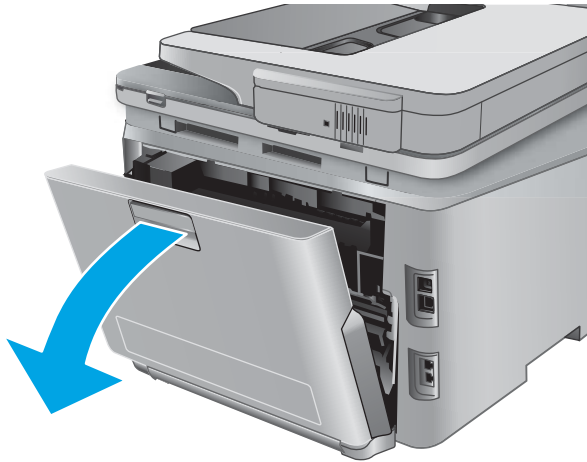
1. Open the front door.

Figure 1-232 Open the front door and rear door or duplexer door (1 of 2)



2. Use the latch release to open the rear door (simplex models) or duplexer door (duplex models).

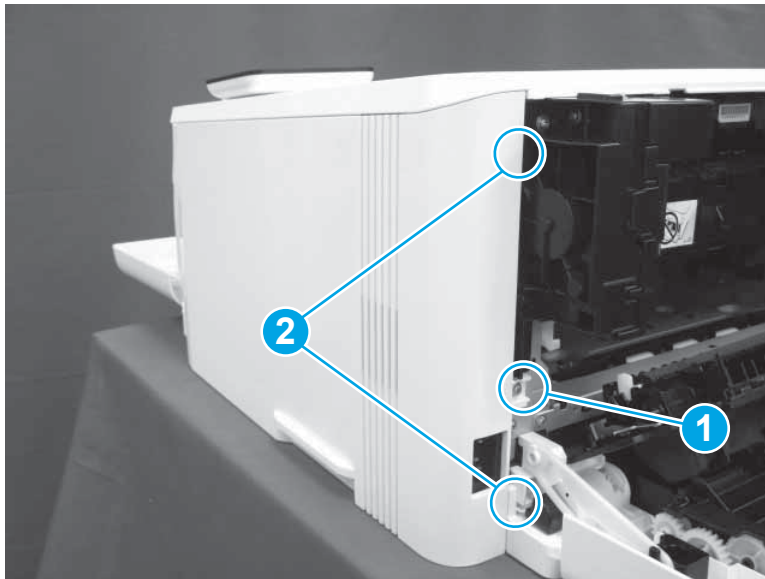
Figure 1-233 Open the front door and rear door or duplexer door (2 of 2)



Step 3: Remove the right cover

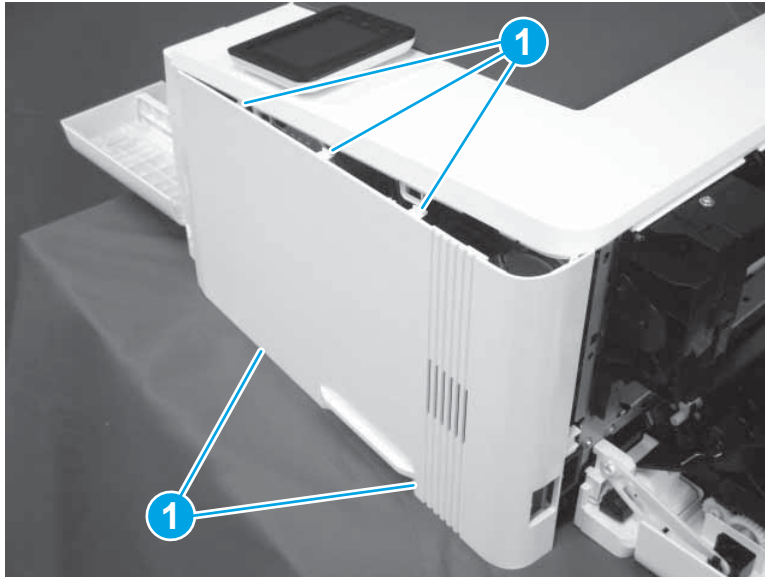
1. At the rear of the printer, remove one screw (callout 1), and then release two tabs (callout 2).

Figure 1-234 Remove the right cover (1 of 3)



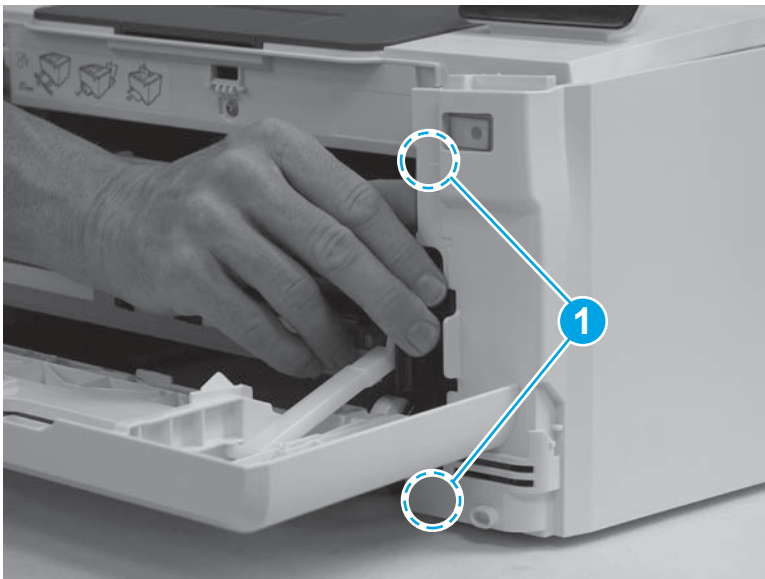
2. Release five tabs (callout 1) along the top and bottom of the cover. Releasing the top tabs first can ease this task.

Figure 1-235 Remove the right cover (2 of 3)



3. At the front of the printer, release two tabs (callout 1), and then remove the cover from the printer.

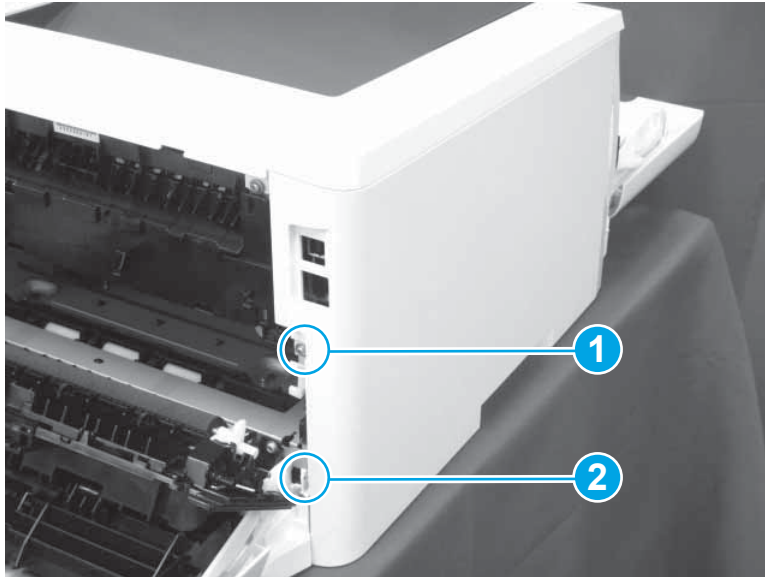
Figure 1-236 Remove the right cover (3 of 3)



Step 4: Remove the left cover

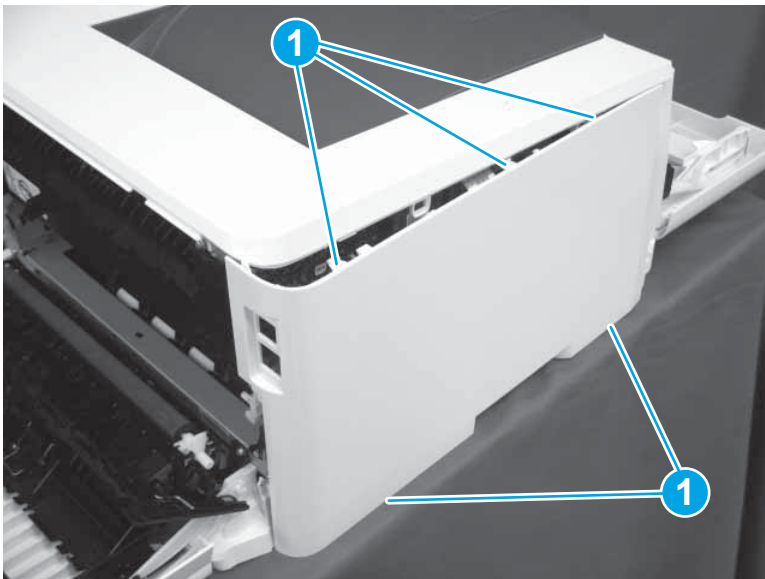
1. At the rear of the printer, remove one screw (callout 1), and then release one tab (callout 2).

Figure 1-237 Remove the left cover (1 of 3)



2. Starting at the top edge, release five tabs (callout 1)

Figure 1-238 Remove the left cover (2 of 3)



3. Move the printer so that the left cover is over the edge of the work surface. Pull the top of the cover down at approximately 45-degree angle to remove it.

Figure 1-239 Remove the left cover (3 of 3)



Step 5: Remove the scanner

1. With the scanner lid lifted, release the tab on the scanner support arm from the slot and rotate the support arm in the direction indicated, and then remove the pin (callout 1).

Figure 1-240 Remove the M274, M277 scanner (1 of 4)



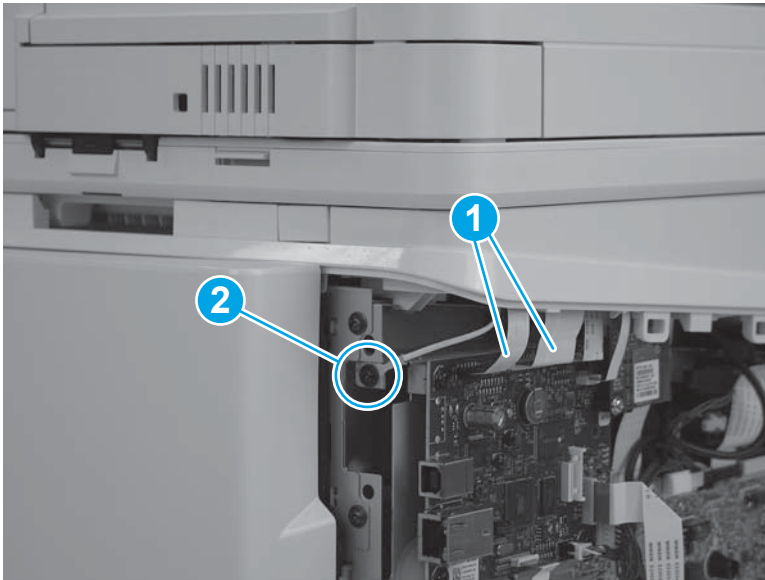
2. On the scanner bed, use a flat-blade screwdriver to remove the scanner cable cover.

Figure 1-241 Remove the M274, M277 scanner (2 of 4)



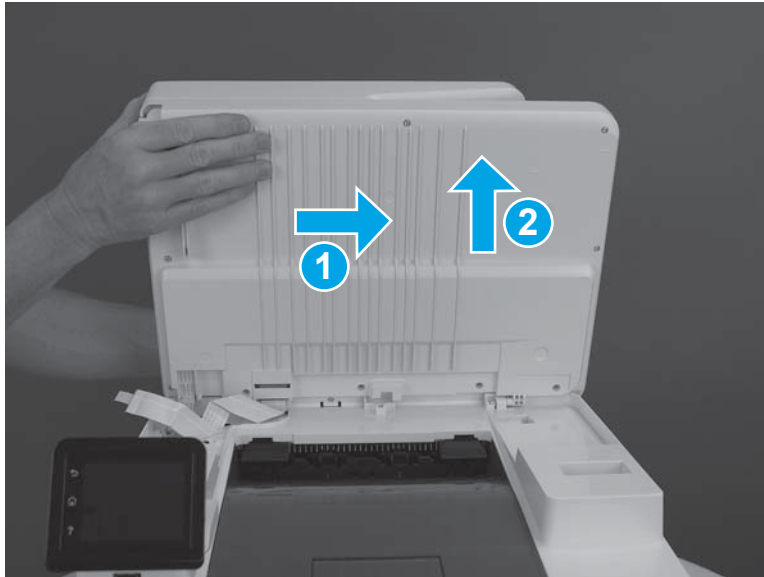
3. On the left side of the printer, disconnect two connectors (callout 1) and remove one screw (callout 2).

Figure 1-242 Remove the M274, M277 scanner (3 of 4)



4. Open the scanner assembly fully, slide the assembly in the direction indicated, and then lift the assembly off of the chassis.

Figure 1-243 Remove the M274, M277 scanner (4 of 4)



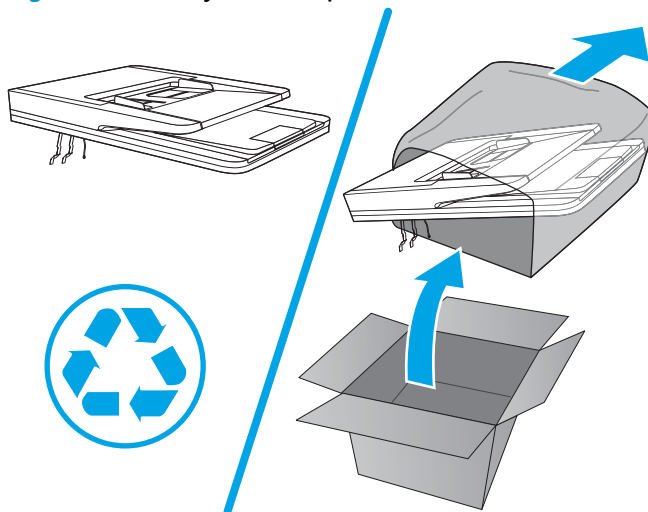
Step 6: Unpack a replacement scanner assembly

Remove the new scanner assembly from its package. Save all packaging for recycling the used part.

For complete information on HP's recycling programs, go to <http://www8.hp.com/us/en/hp-information/environment/product-recycling.html>.

 **NOTE:** HP recommends responsible disposal of the defective assembly.

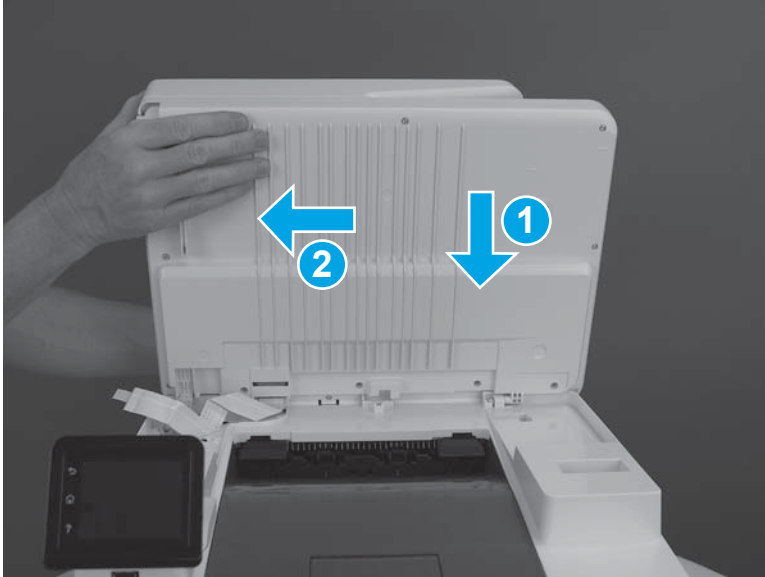
Figure 1-244 Recycle and unpack



Step 7: Install the scanner

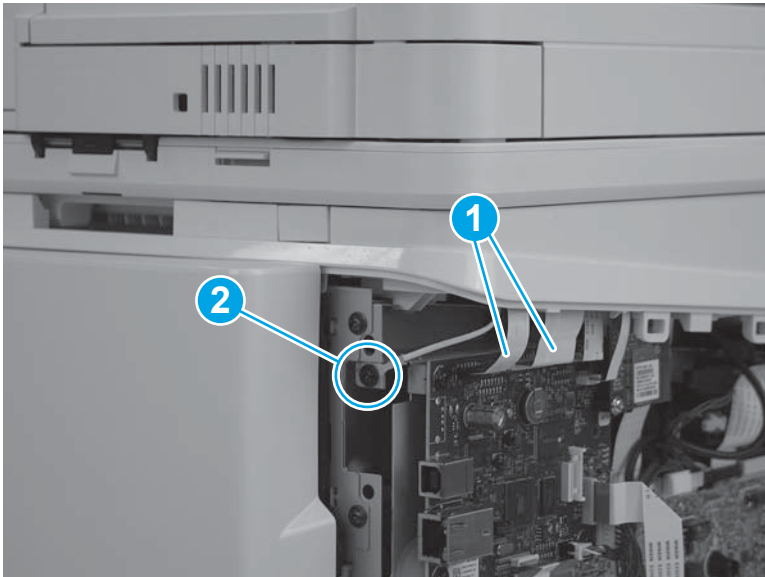
1. Open the scanner assembly fully, lower the assembly onto the chassis, and then slide the assembly in the direction indicated.

Figure 1-245 Install the M274, M277 scanner (1 of 4)



2. On the left side of the printer, connect two connectors (callout 1) and install one screw (callout 2).

Figure 1-246 Install the M274, M277 scanner (2 of 4)



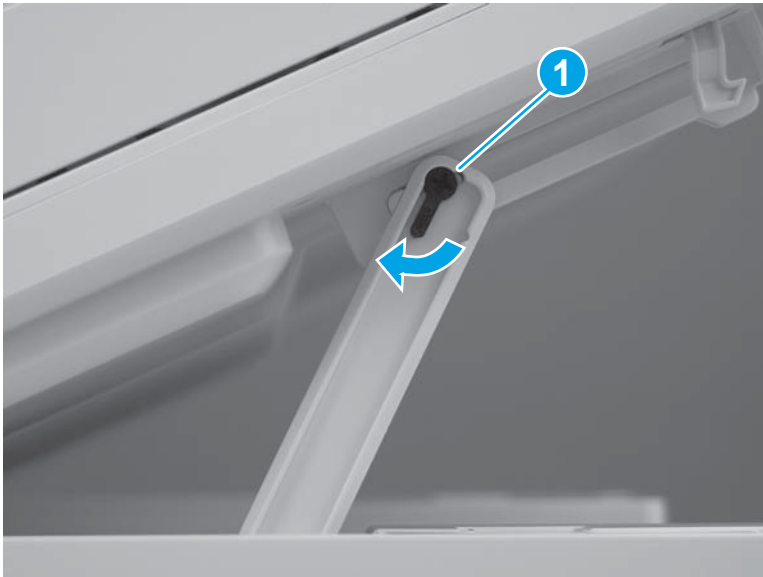
3. On the scanner bed, snap the scanner cable cover in place.

Figure 1-247 Install the M274, M277 scanner (3 of 4)



4. With the scanner lid lifted, inset the scanner support arm pin (callout 1), and then rotate the tab in the direction indicated until it snaps into the slot.

Figure 1-248 Install the M274, M277 scanner (4 of 4)



Step 8: Install the left cover

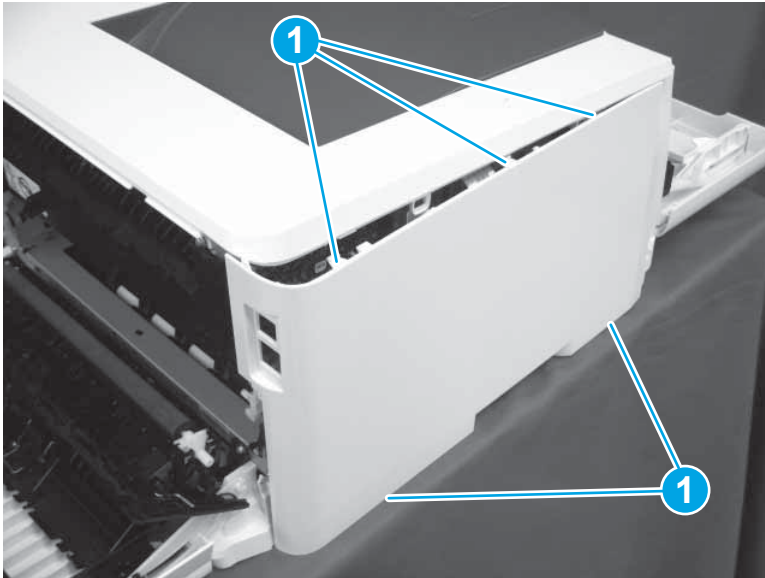
1. Engage the bottom front cover tab in the chassis, and then raise the top part of the cover to set the front tabs in place.

Figure 1-249 Install the left cover (1 of 3)



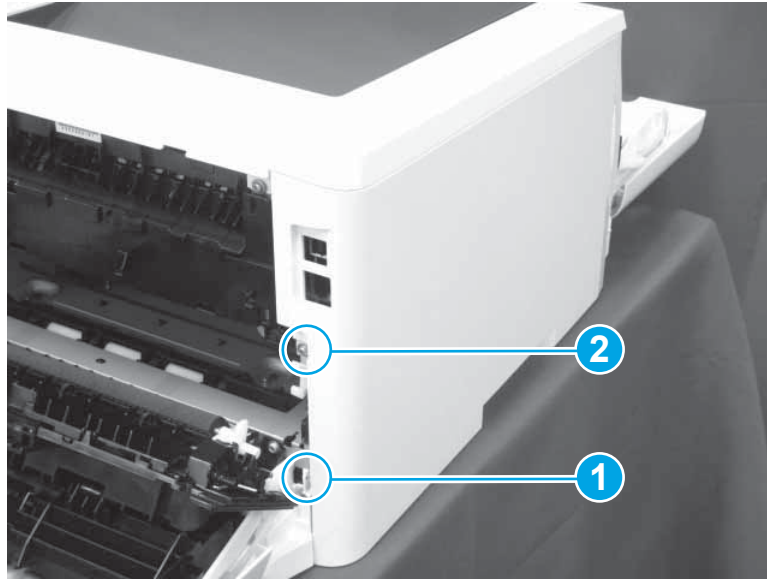
2. Working from the front edge to the back edge, engage five tabs (callout 1) along the top and bottom of the cover.

Figure 1-250 Install the left cover (2 of 3)



3. At the rear of the printer, engage one tab (callout 1), and then install one screw (callout 2).

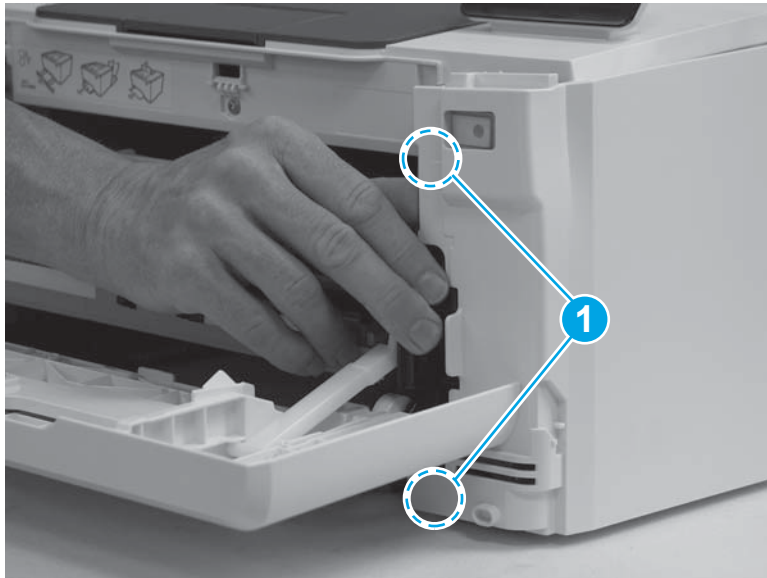
Figure 1-251 Install the left cover (3 of 3)



Step 9: Install the right cover

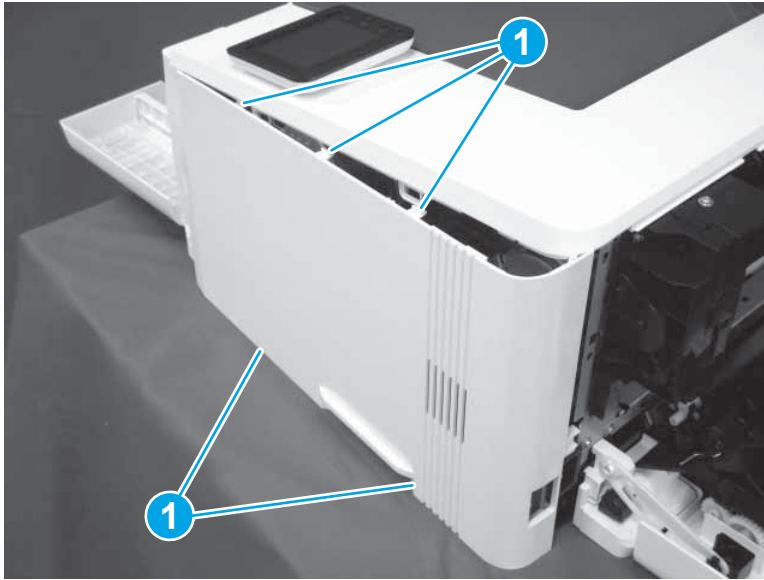
1. At the front of the printer, position two tabs (callout 1) in the chassis.

Figure 1-252 Install the right cover (1 of 3)



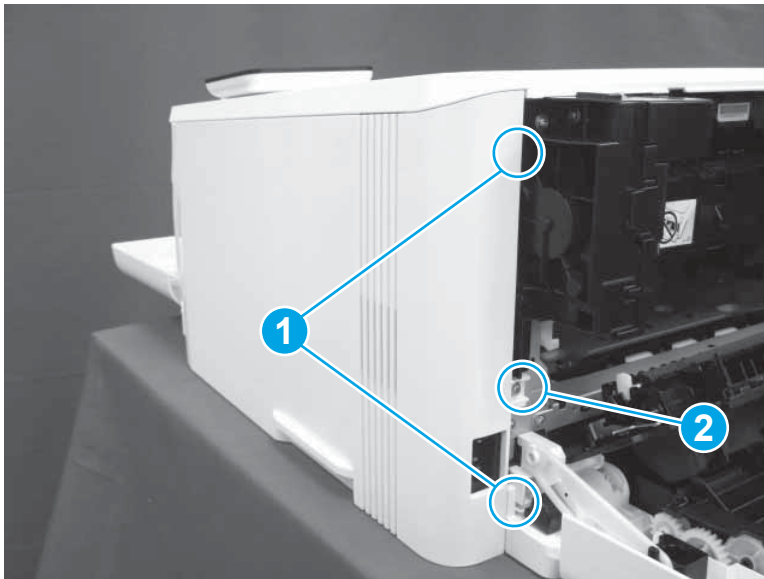
2. Moving from the front to the back, set five tabs (callout 1) along the top and bottom of the cover.

Figure 1-253 Install the right cover (2 of 3)



3. At the rear of the printer, set two tabs (callout 1), and then install one screw (callout 2).

Figure 1-254 Install the right cover (3 of 3)



Step 10: Close the front door and rear door or duplexer door

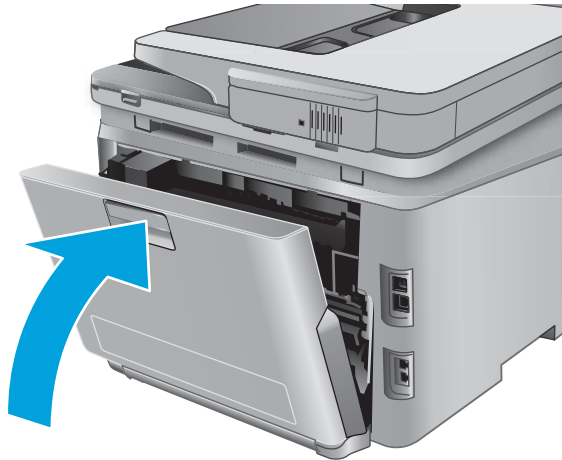
1. Close the front door.

Figure 1-255 Close the front door and rear door or duplexer door (1 of 2)



2. Close the rear door (simplex models) or duplexer door (duplex models).

Figure 1-256 Close the front door and rear door or duplexer door (2 of 2)



Step 11: Install Tray 2

- ▲ Align Tray 2 with the tray cavity, and then push the tray into the printer.

Figure 1-257 Install Tray 2



Removal and replacement: Internal parts and assemblies

- [Removal and replacement: Priority feed slot assembly](#)
- [Removal and replacement: Wireless PCA \(M252dw models\)](#)
- [Removal and replacement: Wireless PCA \(M277dw models\)](#)
- [Removal and replacement: Fax PCA \(fax models\)](#)
- [Removal and replacement: Formatter PCA \(M252 models\)](#)
- [Removal and replacement: Formatter PCA \(M274, M277 models\)](#)
- [Removal and replacement: Engine controller unit \(M252 models\)](#)
- [Removal and replacement: Engine controller unit \(M274, M277 models\)](#)
- [Removal and replacement: Intermediate transfer belt \(ITB\)](#)
- [Removal and replacement: Pickup guide assembly](#)
- [Removal and replacement: Registration density sensor assembly](#)
- [Removal and replacement: Duplex drive assembly \(duplex models\)](#)
- [Removal and replacement: Output sensor assembly \(duplex models\)](#)
- [Removal and replacement: Power switch assembly](#)
- [Removal and replacement: Low-voltage power supply \(LVPS\)](#)
- [Removal and replacement: Fuser](#)
- [Removal and replacement: Main motor](#)
- [Removal and replacement: Fuser motor](#)
- [Removal and replacement: Main fan](#)

Removal and replacement: Priority feed slot assembly


- [Introduction](#)
- [Step 1: Remove Tray 2](#)
- [Step 2: Remove the priority feed slot tray](#)
- [Step 3: Remove the priority feed slot assembly](#)
- [Step 4: Unpack a replacement priority feed slot assembly](#)
- [Step 5: Install the priority feed slot assembly](#)
- [Step 6: Install the priority feed slot tray](#)
- [Step 7: Install Tray 2](#)

Introduction

This document provides the procedures to remove and replace the priority feed slot assembly.

Before you begin

- Turn off the printer.
- Disconnect the power cable.

 **WARNING!** To avoid damage to the printer, turn the printer off, wait 30 seconds, and then remove the power cord before attempting to service the printer.

- Use the table below to identify the correct part number for your printer. To order the part, go to www.hp.com/buy/parts.

Priority feed slot assembly part number	
RM2-5866-000CN	Priority feed slot assembly

Required tools

- #2 Phillips screwdriver with a magnetic tip

After performing service

- Connect the power cable.
- Use the power switch to turn the power on.

Step 1: Remove Tray 2

- ▲ Using the handle on the face of Tray 2, pull the tray completely out of the printer.

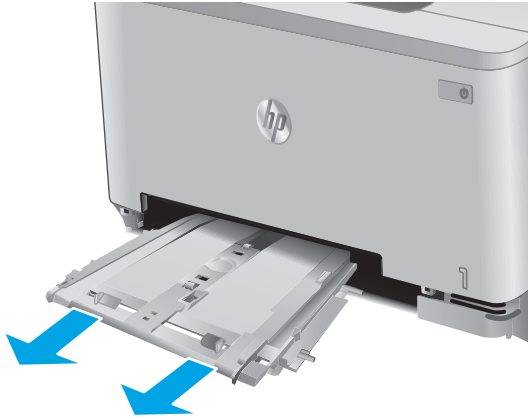
Figure 1-258 Remove Tray 2



Step 2: Remove the priority feed slot tray

- ▲ At the front of the printer, gently push down on the single-sheet priority feed slot tray, and then pull out the feed slot tray.

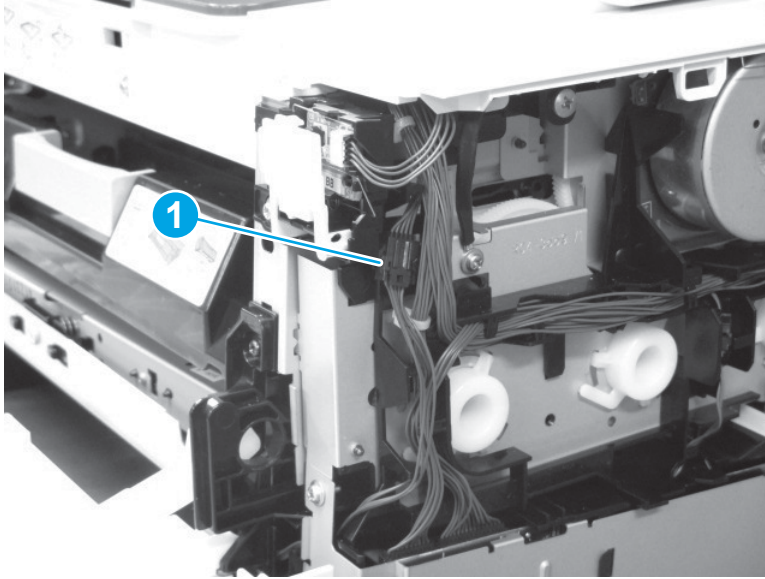
Figure 1-259 Remove the priority feed slot tray



Step 3: Remove the priority feed slot assembly

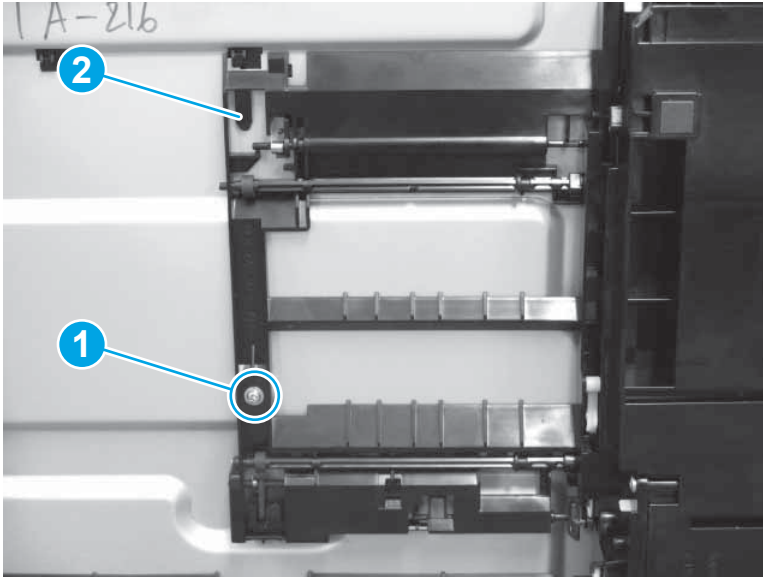
1. On the right side of the printer, disconnect one connector (callout 1).


Figure 1-260 Remove the priority feed slot assembly (1 of 2)



2. Turn the printer front-side up, so that it is resting on the rear side. On the bottom of the printer, remove one screw (callout 1) and release one tab (callout 2) from the plastic priority feed slot assembly, and then pull the assembly away from the printer.

Figure 1-261 Remove the priority feed slot assembly (2 of 2)



 **NOTE:** Removing the priority feed slot assembly might dislodge a non-attached spring. Make sure that the spring is reinstalled before installing the assembly.

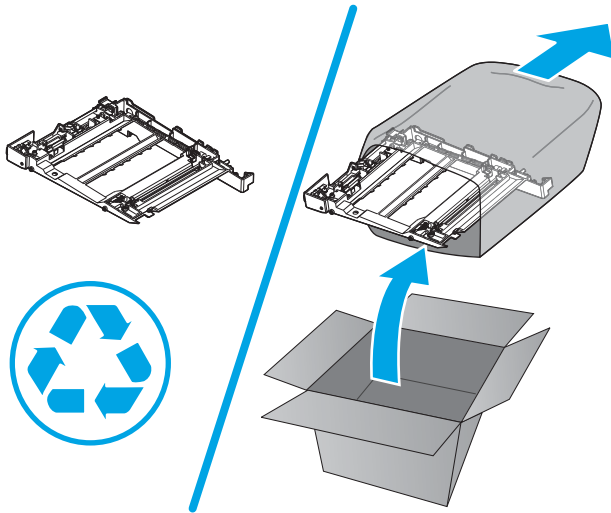
Step 4: Unpack a replacement priority feed slot assembly

Remove the new priority feed slot assembly from its package. Save all packaging for recycling the used part.

For complete information on HP's recycling programs, go to <http://www8.hp.com/us/en/hp-information/environment/product-recycling.html>.

 **NOTE:** HP recommends responsible disposal of the defective assembly.

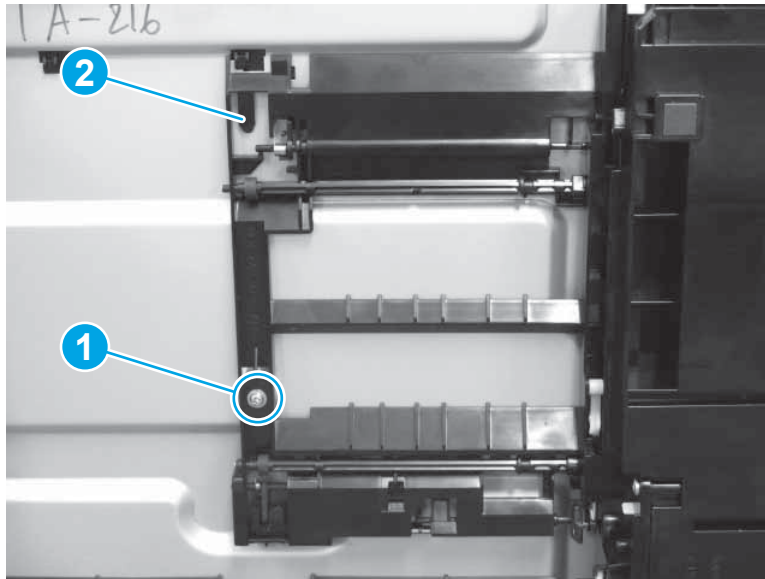
Figure 1-262 Recycle and unpack




Step 5: Install the priority feed slot assembly

1. Turn the printer front-side up, so that it is resting on the rear side. On the bottom of the printer, set the assembly in place, engage one tab (callout 1), and then install one screw (callout 2).

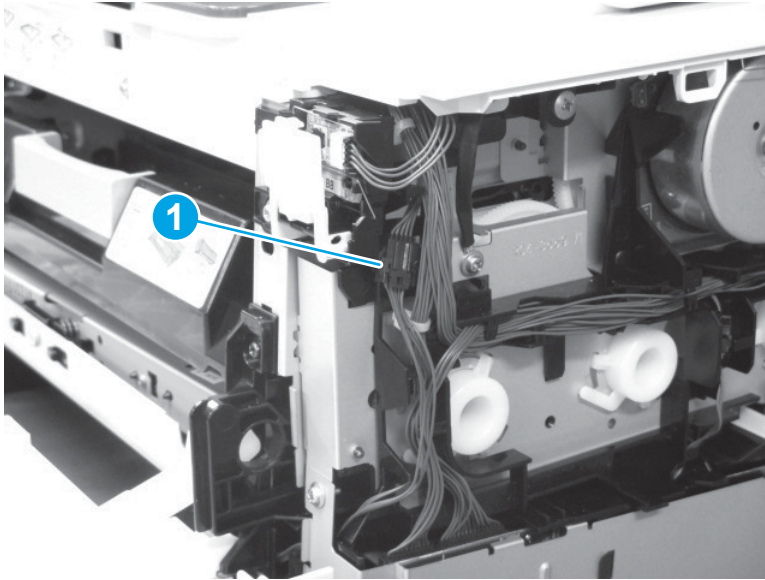
Figure 1-263 Install the priority feed slot assembly (1 of 2)



 **NOTE:** Ensure that the loose spring that might have fallen off the chassis during the removal process is reinstalled before installing the assembly.

2. Set the printer back on its underside. On the right side of the printer, connect one connector (callout 1).

Figure 1-264 Install the priority feed slot assembly (2 of 2)



Step 6: Install the priority feed slot tray

- ▲ Gently push the single-sheet priority feed slot tray into the feed slot.

Figure 1-265 Install the priority feed slot tray



Step 7: Install Tray 2

- ▲ Align Tray 2 with the tray cavity, and then push the tray into the printer.

Figure 1-266 Install Tray 2



Removal and replacement: Wireless PCA (M252dw models)


- [Introduction](#)
- [Step 1: Remove Tray 2](#)
- [Step 2: Open the front door and rear door or duplexer door](#)
- [Step 3: Remove the left cover](#)
- [Step 4: Remove the wireless PCA](#)
- [Step 5: Unpack a replacement wireless PCA](#)
- [Step 6: Install the wireless PCA](#)
- [Step 7: Install the left cover](#)
- [Step 8: Close the front door and rear door or duplexer door](#)
- [Step 9: Install Tray 2](#)

Introduction

This document provides the procedures to remove and replace the wireless PCA (wireless models only).

Before you begin

- Turn off the printer.
- Disconnect the power cable.



 **WARNING!** To avoid damage to the printer, turn the printer off, wait 30 seconds, and then remove the power cord before attempting to service the printer.

- Use the table below to identify the correct part number for your printer. To order the part, go to www.hp.com/buy/parts.

Wireless PCA part number	
0960-3293	Wireless PCA

Required tools

- #2 Phillips screwdriver with a magnetic tip

 **CAUTION:**  This printer contains components that can be damaged by electrostatic discharge (ESD). To reduce the chance of ESD damage, place the printer on an ESD mat (if available), and wear an ESD wrist strap connected to a grounded surface. If an ESD workstation or mat is not available, ground yourself by touching the sheet-metal chassis before touching an ESD-sensitive part.

After performing service

- Connect the power cable.
- Use the power switch to turn the power on.

Step 1: Remove Tray 2

- ▲ Using the handle on the face of Tray 2, pull the tray completely out of the printer.

Figure 1-267 Remove Tray 2



Step 2: Open the front door and rear door or duplexer door

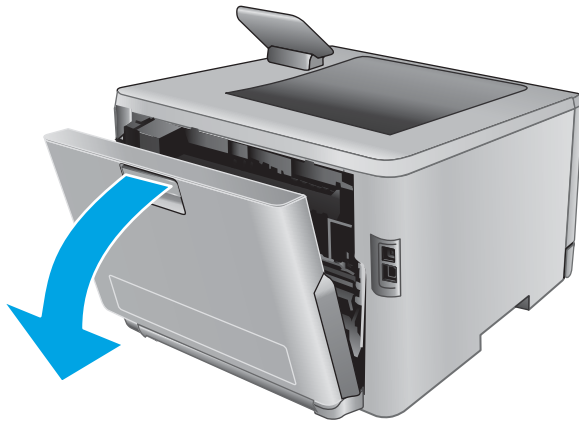
1. Open the front door.

Figure 1-268 Open the front door and rear door or duplexer door (1 of 2)



2. Use the latch release to open the rear door (simplex models) or duplexer door (duplex models).

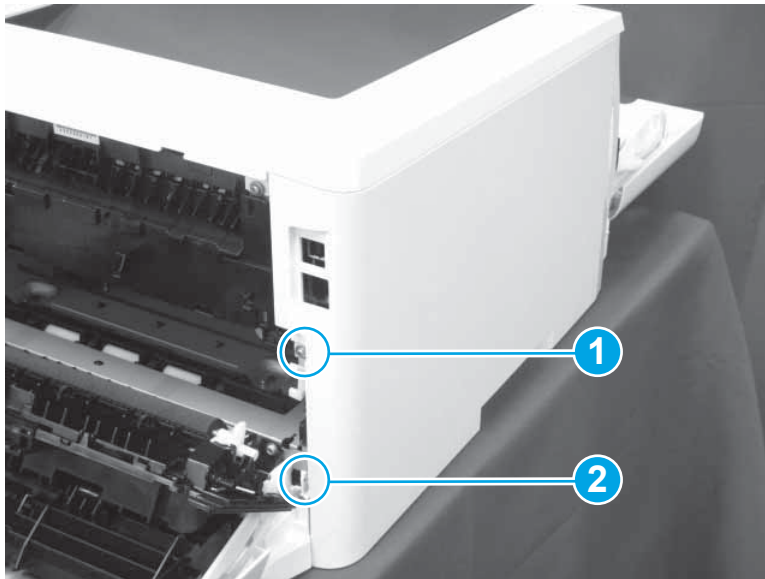
Figure 1-269 Open the front door and rear door or duplexer door (2 of 2)



Step 3: Remove the left cover

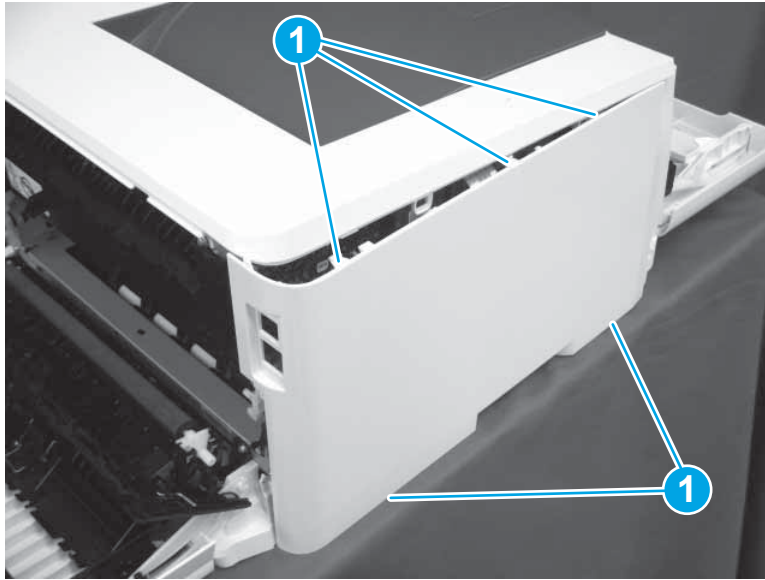
1. At the rear of the printer, remove one screw (callout 1), and then release one tab (callout 2).

Figure 1-270 Remove the left cover (1 of 3)



2. Starting at the top edge, release five tabs (callout 1)

Figure 1-271 Remove the left cover (2 of 3)



3. Move the printer so that the left cover is over the edge of the work surface. Pull the top of the cover down at approximately 45-degree angle to remove it.

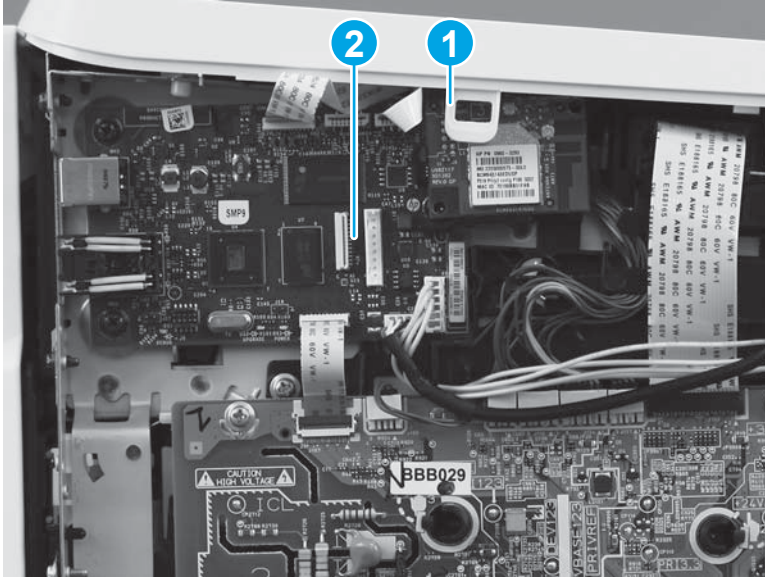
Figure 1-272 Remove the left cover (3 of 3)



Step 4: Remove the wireless PCA

- ▲ On the left side of the printer, disconnect the connector (callout 1) on the back of the wireless PCA by pulling the PCA away from the plastic holder on the formatter PCA (callout 2).

Figure 1-273 Remove the wireless PCA



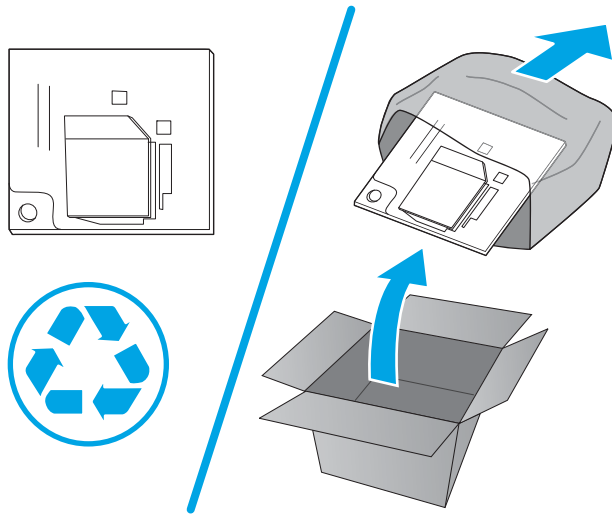
Step 5: Unpack a replacement wireless PCA

Remove the new wireless PCA from its package. Save all packaging for recycling the used part.

For complete information on HP's recycling programs, go to <http://www8.hp.com/us/en/hp-information/environment/product-recycling.html>.

 **NOTE:** HP recommends responsible disposal of the defective assembly.

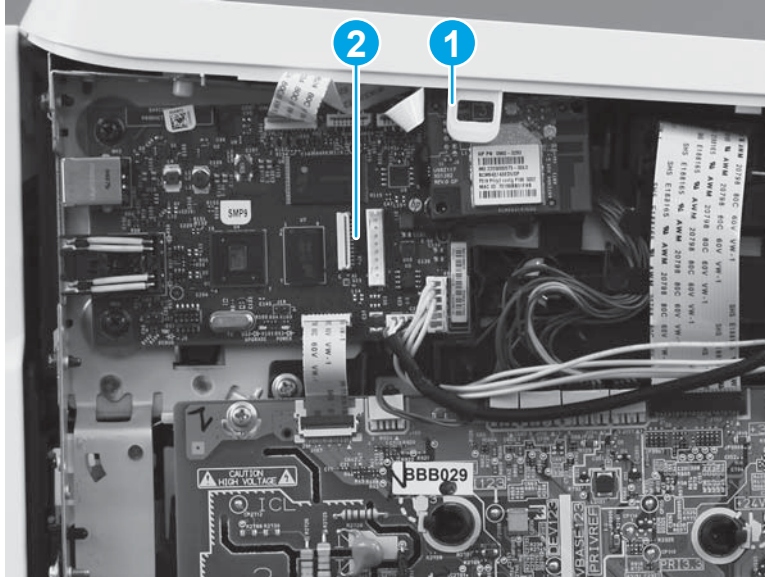
Figure 1-274 Recycle and unpack



Step 6: Install the wireless PCA

- ▲ On the left side of the printer, connect the connector (callout 1) on the back of the wireless PCA to the connector on the formatter PCA. Make sure that the PCA is set securely in the plastic holder on the formatter PCA (callout 2).

Figure 1-275 Install the wireless PCA



Step 7: Install the left cover

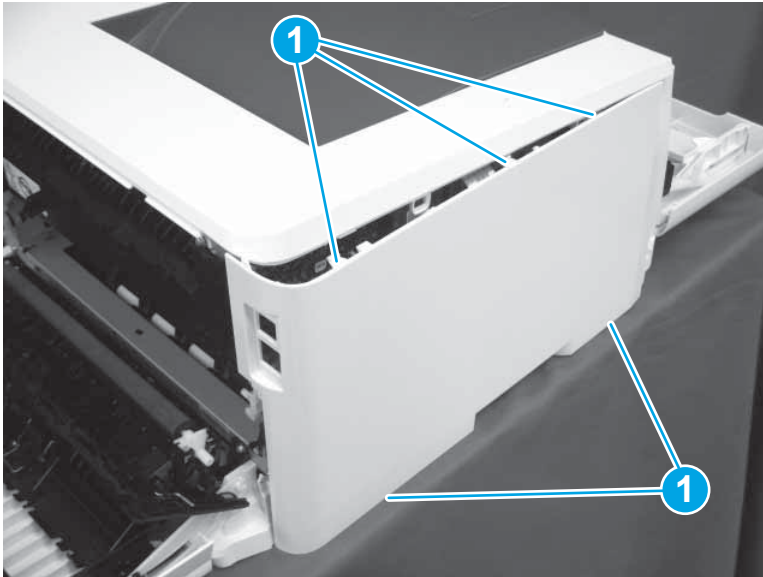
1. Engage the bottom front cover tab in the chassis, and then raise the top part of the cover to set the front tabs in place.

Figure 1-276 Install the left cover (1 of 3)



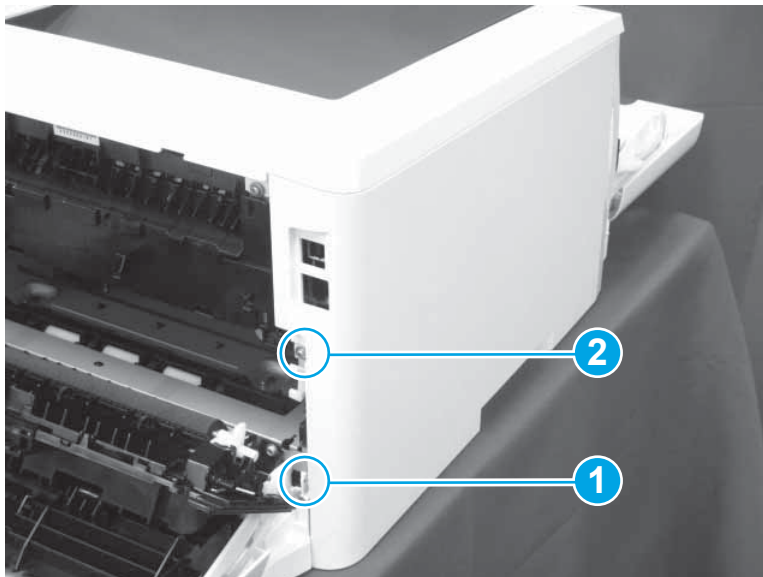
2. Working from the front edge to the back edge, engage five tabs (callout 1) along the top and bottom of the cover.

Figure 1-277 Install the left cover (2 of 3)



3. At the rear of the printer, engage one tab (callout 1), and then install one screw (callout 2).

Figure 1-278 Install the left cover (3 of 3)



Step 8: Close the front door and rear door or duplexer door

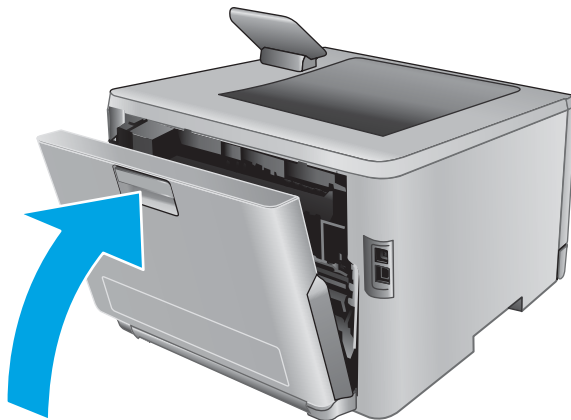
1. Close the front door.

Figure 1-279 Close the front door and rear door or duplexer door (1 of 2)



2. Close the rear door (simplex models) or duplexer door (duplex models).

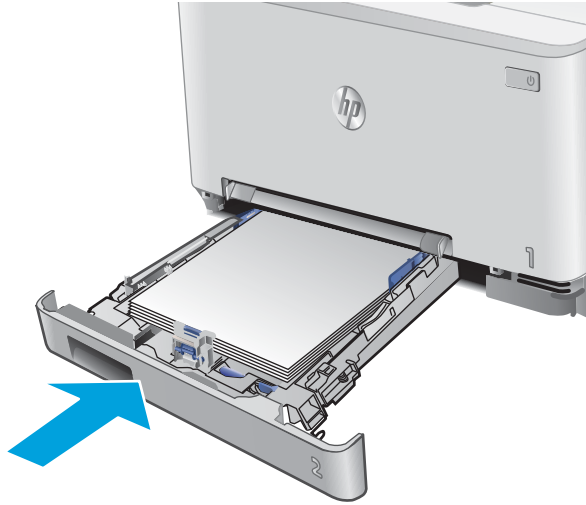
Figure 1-280 Close the front door and rear door or duplexer door (2 of 2)



Step 9: Install Tray 2

- ▲ Align Tray 2 with the tray cavity, and then push the tray into the printer.

Figure 1-281 Install Tray 2



Removal and replacement: Wireless PCA (M277dw models)


- [Introduction](#)
- [Step 1: Remove Tray 2](#)
- [Step 2: Open the front door and rear door or duplexer door](#)
- [Step 3: Remove the left cover](#)
- [Step 4: Remove the wireless PCA](#)
- [Step 5: Unpack a replacement wireless PCA](#)
- [Step 6: Install the wireless PCA](#)
- [Step 7: Install the left cover](#)
- [Step 8: Close the front door and rear door or duplexer door](#)
- [Step 9: Install Tray 2](#)

Introduction

This document provides the procedures to remove and replace the wireless PCA (wireless models only).

Before you begin

- Turn off the printer.
- Disconnect the power cable.

 **WARNING!** To avoid damage to the printer, turn the printer off, wait 30 seconds, and then remove the power cord before attempting to service the printer.

- Use the table below to identify the correct part number for your printer. To order the part, go to www.hp.com/buy/parts.



Wireless PCA part number

0960-3293

Wireless PCA

Required tools

- #2 Phillips screwdriver with a magnetic tip

 **CAUTION:**  This printer contains components that can be damaged by electrostatic discharge (ESD). To reduce the chance of ESD damage, place the printer on an ESD mat (if available), and wear an ESD wrist strap connected to a grounded surface. If an ESD workstation or mat is not available, ground yourself by touching the sheet-metal chassis before touching an ESD-sensitive part.

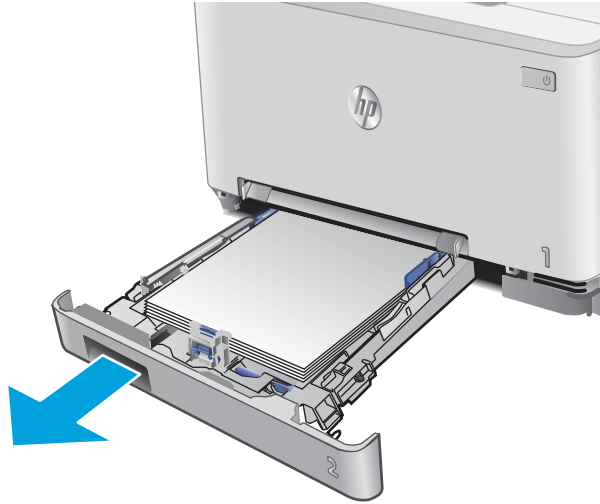
After performing service

- Connect the power cable.
- Use the power switch to turn the power on.

Step 1: Remove Tray 2

- ▲ Using the handle on the face of Tray 2, pull the tray completely out of the printer.

Figure 1-282 Remove Tray 2



Step 2: Open the front door and rear door or duplexer door

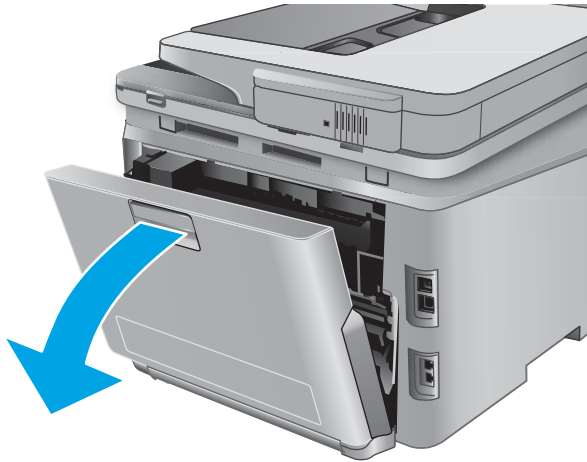
1. Open the front door.

Figure 1-283 Open the front door and rear door or duplexer door (1 of 2)



2. Use the latch release to open the rear door (simplex models) or duplexer door (duplex models).

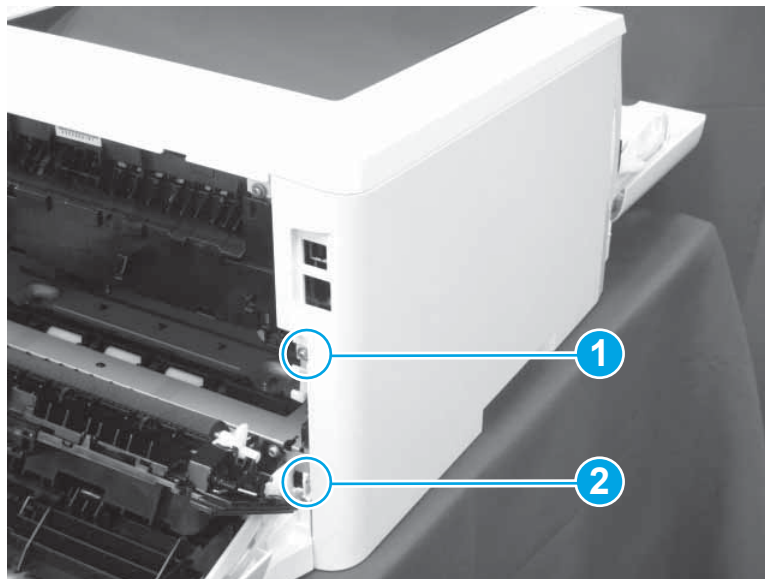
Figure 1-284 Open the front door and rear door or duplexer door (2 of 2)



Step 3: Remove the left cover

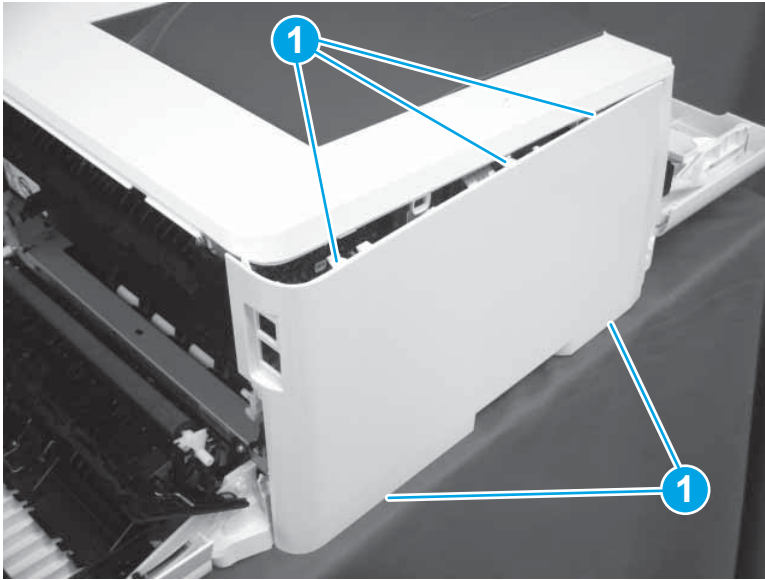
1. At the rear of the printer, remove one screw (callout 1), and then release one tab (callout 2).

Figure 1-285 Remove the left cover (1 of 3)



2. Starting at the top edge, release five tabs (callout 1)

Figure 1-286 Remove the left cover (2 of 3)



3. Move the printer so that the left cover is over the edge of the work surface. Pull the top of the cover down at approximately 45-degree angle to remove it.

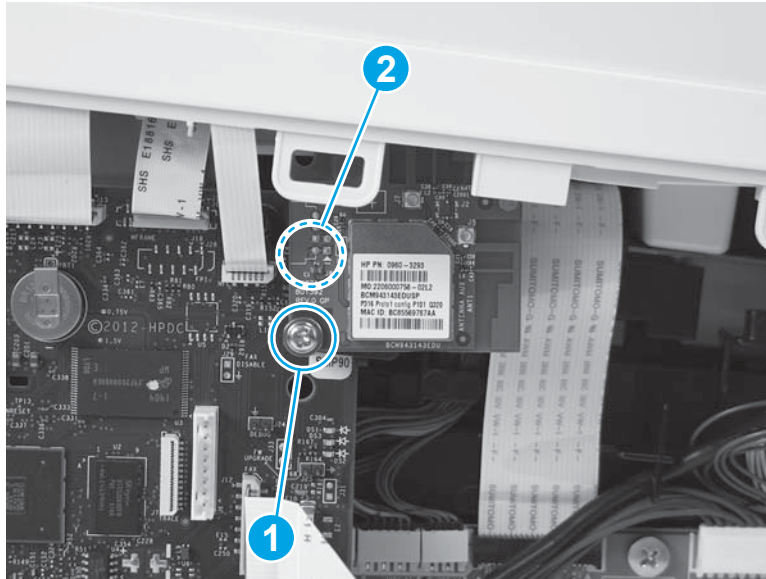
Figure 1-287 Remove the left cover (3 of 3)



Step 4: Remove the wireless PCA

- ▲ On the left side of the printer, remove one screw (callout 1), and then disconnect the connector (callout 2) on the back of the wireless PCA by pulling the PCA straight away from the formatter PCA.

Figure 1-288 Remove the wireless PCA



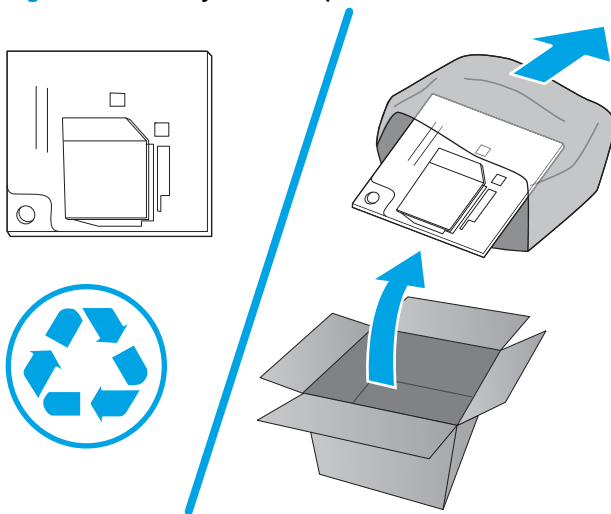
Step 5: Unpack a replacement wireless PCA

Remove the new wireless PCA from its package. Save all packaging for recycling the used part.

For complete information on HP's recycling programs, go to <http://www8.hp.com/us/en/hp-information/environment/product-recycling.html>.

 **NOTE:** HP recommends responsible disposal of the defective assembly.

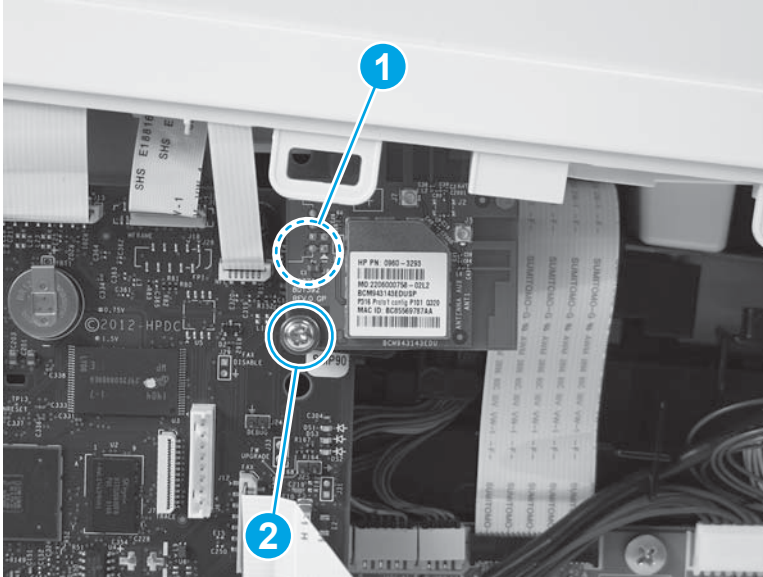
Figure 1-289 Recycle and unpack



Step 6: Install the wireless PCA

- ▲ On the left side of the printer, connect the connector (callout 1) on the back of the wireless PCA to the connector on the formatter PCA, and then install one screw (callout 2).

Figure 1-290 Install the wireless PCA



Step 7: Install the left cover

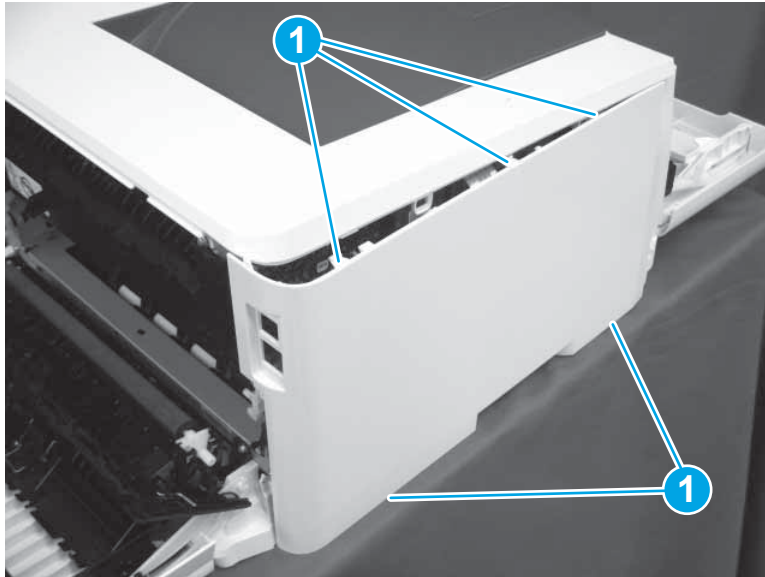
1. Engage the bottom front cover tab in the chassis, and then raise the top part of the cover to set the front tabs in place.

Figure 1-291 Install the left cover (1 of 3)



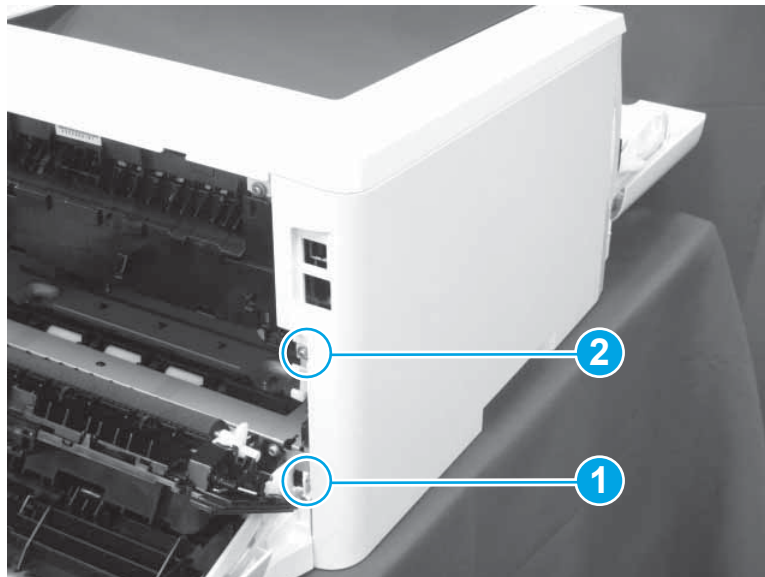
2. Working from the front edge to the back edge, engage five tabs (callout 1) along the top and bottom of the cover.

Figure 1-292 Install the left cover (2 of 3)



3. At the rear of the printer, engage one tab (callout 1), and then install one screw (callout 2).

Figure 1-293 Install the left cover (3 of 3)



Step 8: Close the front door and rear door or duplexer door

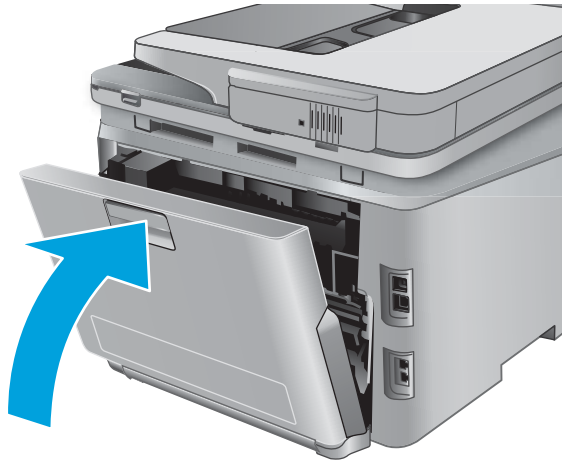
1. Close the front door.

Figure 1-294 Close the front door and rear door or duplexer door (1 of 2)



2. Close the rear door (simplex models) or duplexer door (duplex models).

Figure 1-295 Close the front door and rear door or duplexer door (2 of 2)



Step 9: Install Tray 2

- ▲ Align Tray 2 with the tray cavity, and then push the tray into the printer.

Figure 1-296 Install Tray 2



Removal and replacement: Fax PCA (fax models)


- [Introduction](#)
- [Step 1: Remove Tray 2](#)
- [Step 2: Open the front door and rear door or duplexer door](#)
- [Step 3: Remove the left cover](#)
- [Step 4: Remove the fax PCA](#)
- [Step 5: Unpack a replacement fax PCA](#)
- [Step 6: Install the fax PCA](#)
- [Step 7: Install the left cover](#)
- [Step 8: Close the front door and rear door or duplexer door](#)
- [Step 9: Install Tray 2](#)

Introduction

This document provides the procedures to remove and replace the fax PCA.

Before you begin

- Turn off the printer.
- Disconnect the power cable.

 **WARNING!** To avoid damage to the printer, turn the printer off, wait 30 seconds, and then remove the power cord before attempting to service the printer.

- Use the table below to identify the correct part number for your printer. To order the part, go to www.hp.com/buy/parts.


Fax PCA part number	
CF206-60001	Fax PCA with instruction guide, United States
CF207-60001	Fax PCA with instruction guide, Europe
CF208-60001	Fax PCA with instruction guide, Brazil

Required tools

- #2 Phillips screwdriver with a magnetic tip

After performing service

- Connect the power cable.
- Use the power switch to turn the power on.

CAUTION:  This printer contains components that can be damaged by electrostatic discharge (ESD). To reduce the chance of ESD damage, place the printer on an ESD mat (if available), and wear an ESD wrist strap connected to a grounded surface. If an ESD workstation or mat is not available, ground yourself by touching the sheet-metal chassis before touching an ESD-sensitive part.

Step 1: Remove Tray 2

- ▲ Using the handle on the face of Tray 2, pull the tray completely out of the printer.

Figure 1-297 Remove Tray 2



Step 2: Open the front door and rear door or duplexer door

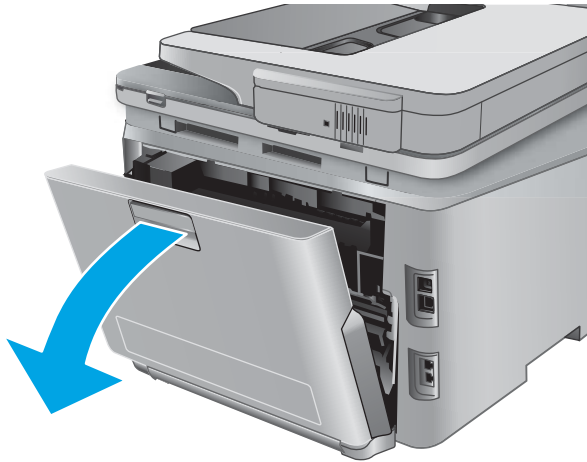
1. Open the front door.

Figure 1-298 Open the front door and rear door or duplexer door (1 of 2)



2. Use the latch release to open the rear door (simplex models) or duplexer door (duplex models).

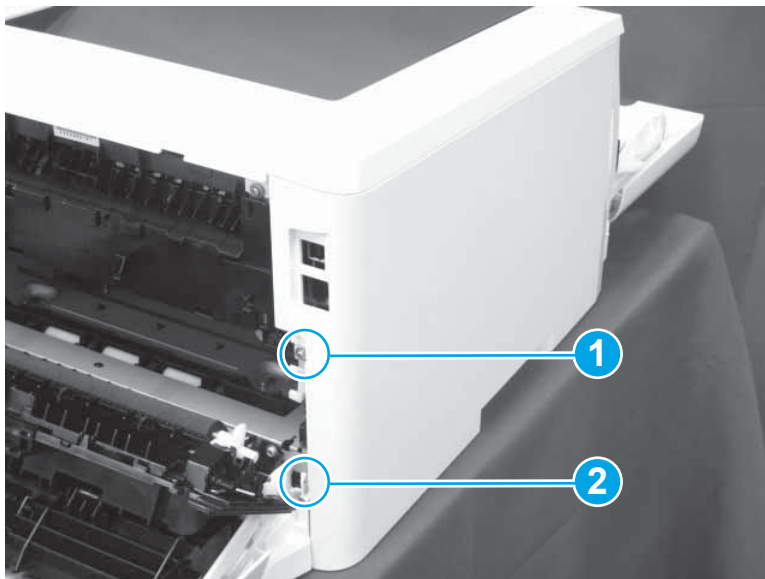
Figure 1-299 Open the front door and rear door or duplexer door (2 of 2)



Step 3: Remove the left cover

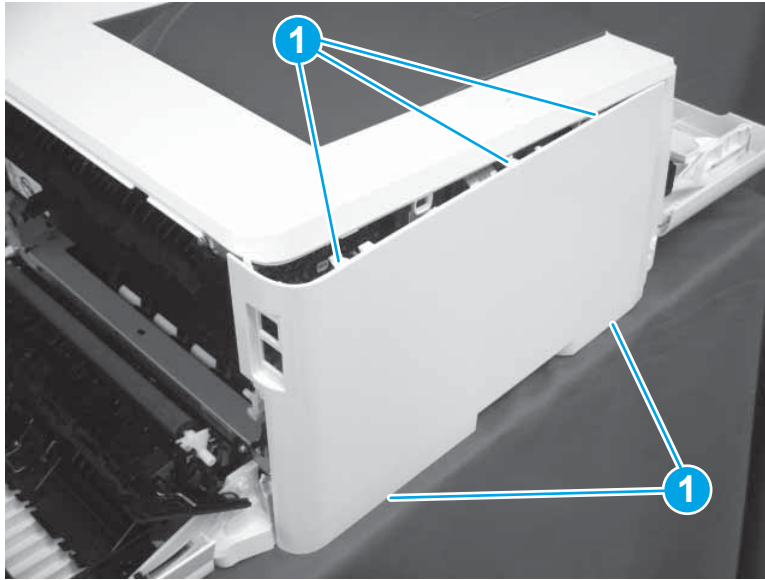
1. At the rear of the printer, remove one screw (callout 1), and then release one tab (callout 2).

Figure 1-300 Remove the left cover (1 of 3)



2. Starting at the top edge, release five tabs (callout 1)

Figure 1-301 Remove the left cover (2 of 3)



3. Move the printer so that the left cover is over the edge of the work surface. Pull the top of the cover down at approximately 45-degree angle to remove it.

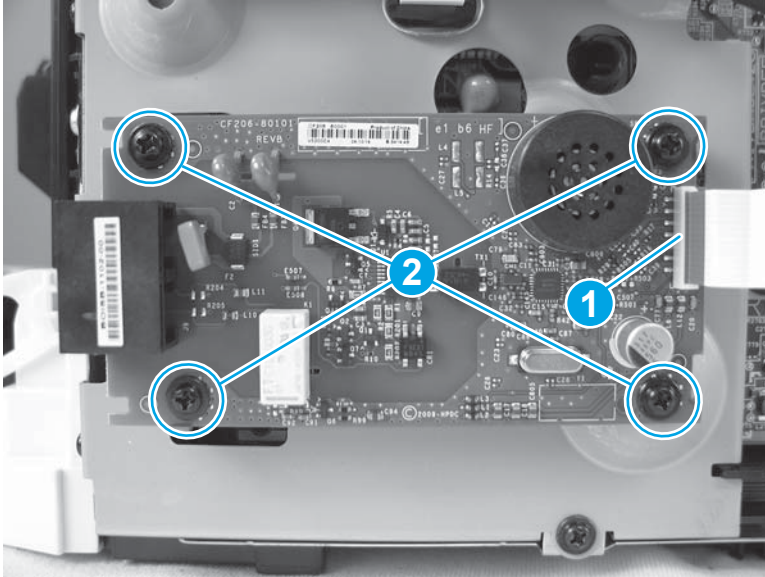
Figure 1-302 Remove the left cover (3 of 3)



Step 4: Remove the fax PCA

- ▲ On the left side of the printer, disconnect one connector (callout 1), and then remove four screws (callout 2) to remove the fax PCA.

Figure 1-303 Remove the M277 fax PCA



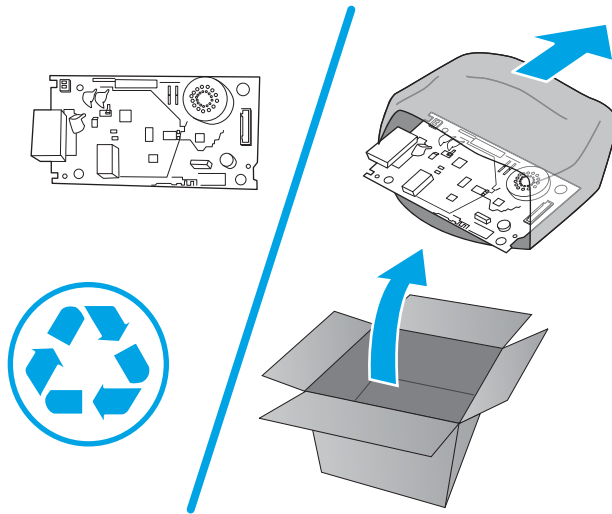
Step 5: Unpack a replacement fax PCA

Remove the new fax PCA from its package. Save all packaging for recycling the used part.

For complete information on HP's recycling programs, go to <http://www8.hp.com/us/en/hp-information/environment/product-recycling.html>.

 **NOTE:** HP recommends responsible disposal of the defective assembly.

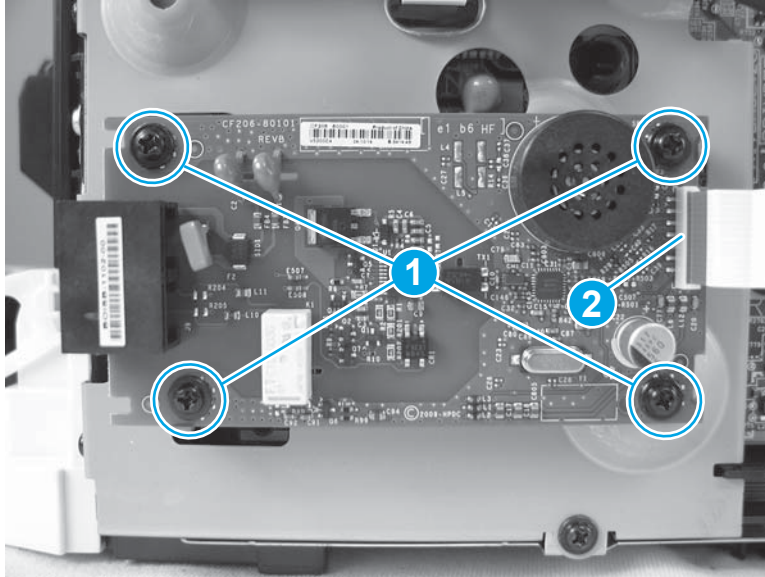
Figure 1-304 Recycle and unpack



Step 6: Install the fax PCA

- ▲ On the left side of the printer, set the fax PCA in place, install four screws (callout 1), and then connect one connector (callout 2).

Figure 1-305 Install the M277 fax PCA



Step 7: Install the left cover

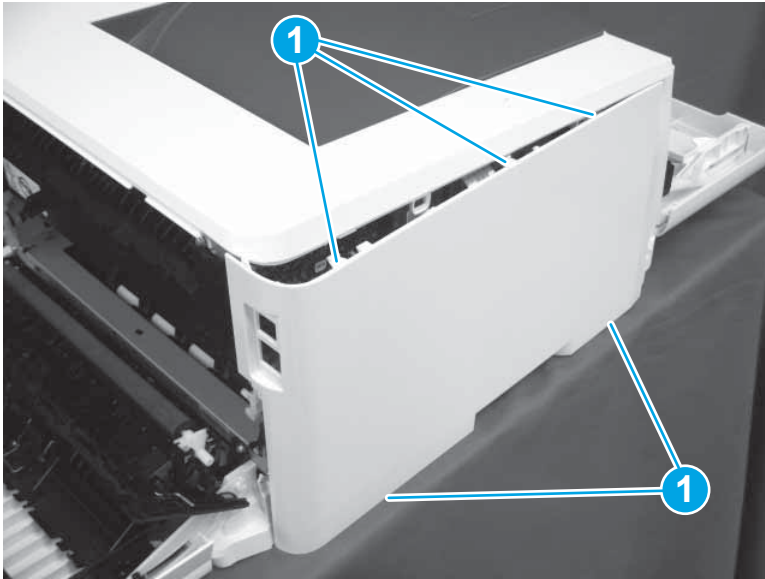
1. Engage the bottom front cover tab in the chassis, and then raise the top part of the cover to set the front tabs in place.

Figure 1-306 Install the left cover (1 of 3)



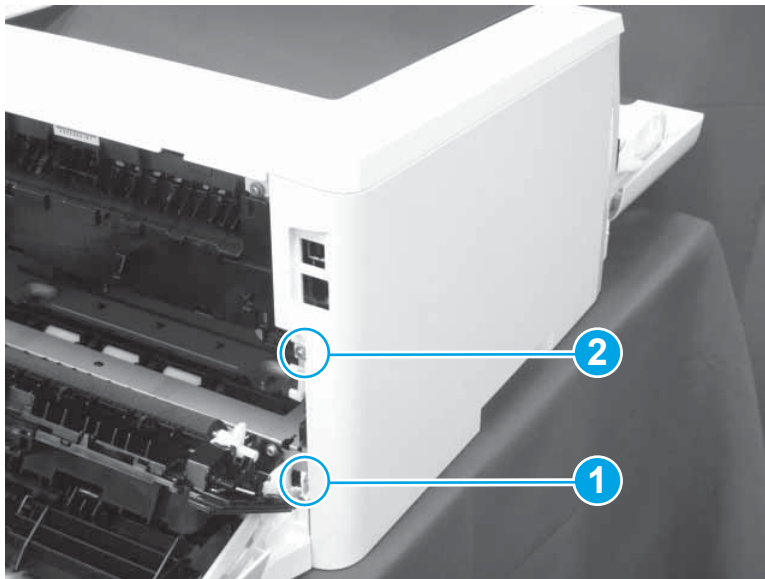
2. Working from the front edge to the back edge, engage five tabs (callout 1) along the top and bottom of the cover.

Figure 1-307 Install the left cover (2 of 3)



3. At the rear of the printer, engage one tab (callout 1), and then install one screw (callout 2).

Figure 1-308 Install the left cover (3 of 3)



Step 8: Close the front door and rear door or duplexer door

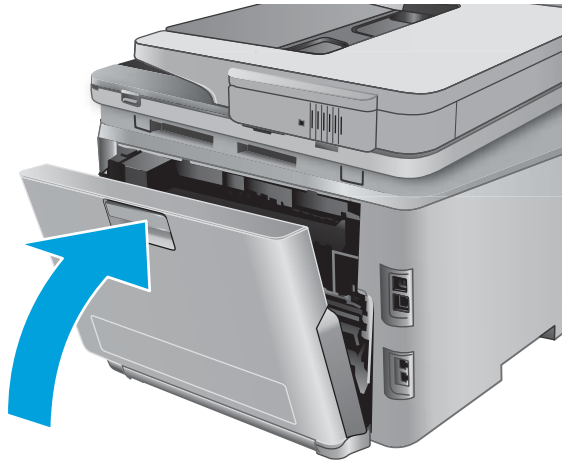
1. Close the front door.

Figure 1-309 Close the front door and rear door or duplexer door (1 of 2)



2. Close the rear door (simplex models) or duplexer door (duplex models).

Figure 1-310 Close the front door and rear door or duplexer door (2 of 2)



Step 9: Install Tray 2

- ▲ Align Tray 2 with the tray cavity, and then push the tray into the printer.

Figure 1-311 Install Tray 2



Removal and replacement: Formatter PCA (M252 models)

- [Introduction](#)
- [Step 1: Remove Tray 2](#)
- [Step 2: Open the front door and rear door or duplexer door](#)
- [Step 3: Remove the left cover](#)
- [Step 4: Remove the wireless PCA \(wireless models\)](#)
- [Step 5: Remove the formatter](#)
- [Step 6: Unpack a replacement formatter PCA](#)
- [Step 7: Install the formatter](#)
- [Step 8: Install the wireless PCA \(wireless models\)](#)
- [Step 9: Install the left cover](#)
- [Step 10: Close the front door and rear door or duplexer door](#)
- [Step 11: Install Tray 2](#)


Introduction

This document provides the procedures to remove and replace the formatter.

To replace the formatter, remove the fax printed-circuit assembly (PCA) (fax models only) from the defective formatter and then install it on the replacement formatter.

Before you begin

- Turn off the printer.
- Disconnect the power cable.

 **WARNING!** To avoid damage to the printer, turn the printer off, wait 30 seconds, and then remove the power cord before attempting to service the printer.

- Use the table below to identify the correct part number for your printer. To order the part, go to www.hp.com/buy/parts.

Formatter kit part numbers


B4A21-60002	Formatter PCA with instruction guide, M252n
B4A22-60001	Formatter PCA with instruction guide, M252dw


Required tools

- #2 Phillips screwdriver with a magnetic tip

After performing service

- Connect the power cable.
- Use the power switch to turn the power on.

CAUTION:  This printer contains components that can be damaged by electrostatic discharge (ESD). To reduce the chance of ESD damage, place the printer on an ESD mat (if available), and wear an ESD wrist strap connected to a grounded surface. If an ESD workstation or mat is not available, ground yourself by touching the sheet-metal chassis before touching an ESD-sensitive part.

IMPORTANT:  Do not replace the formatter and engine controller unit simultaneously during a single printer servicing. Doing so might cause the printer to become unstable or inoperable.

Step 1: Remove Tray 2

- ▲ Using the handle on the face of Tray 2, pull the tray completely out of the printer.

Figure 1-312 Remove Tray 2



Step 2: Open the front door and rear door or duplexer door

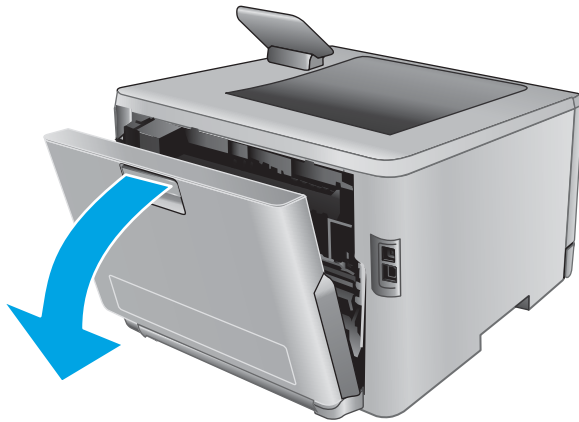
1. Open the front door.

Figure 1-313 Open the front door and rear door or duplexer door (1 of 2)



2. Use the latch release to open the rear door (simplex models) or duplexer door (duplex models).

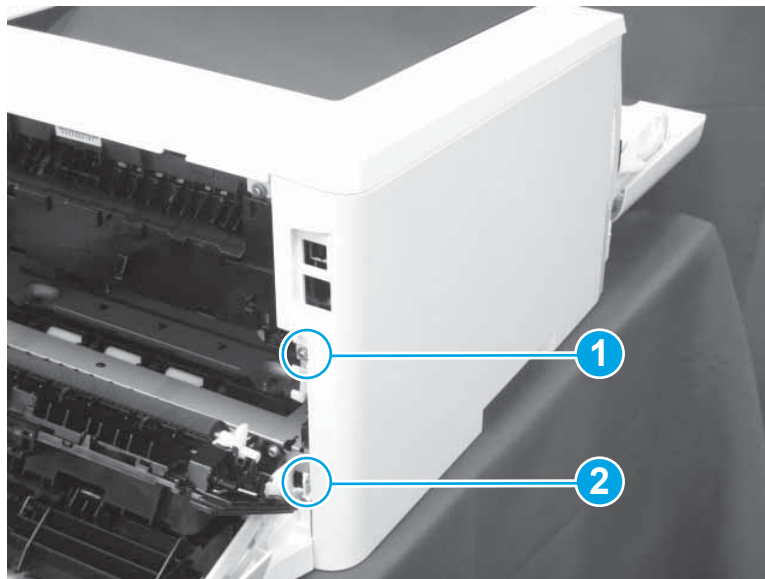
Figure 1-314 Open the front door and rear door or duplexer door (2 of 2)



Step 3: Remove the left cover

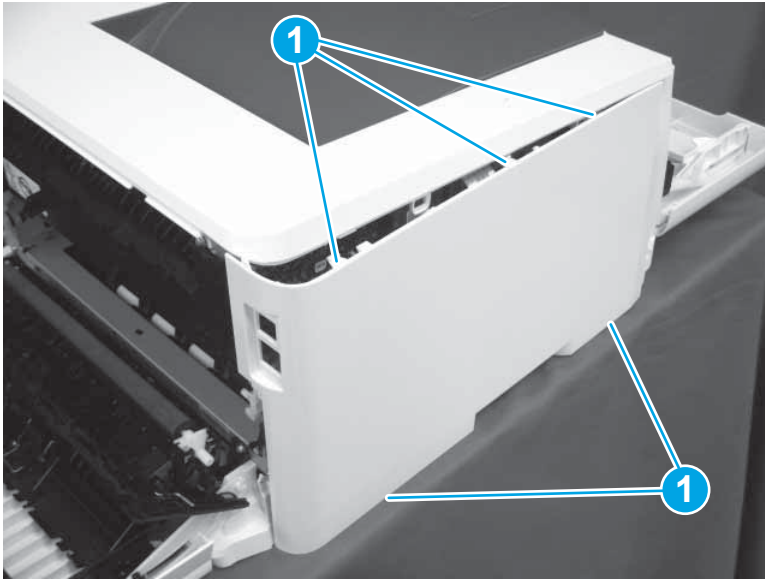
1. At the rear of the printer, remove one screw (callout 1), and then release one tab (callout 2).

Figure 1-315 Remove the left cover (1 of 3)



2. Starting at the top edge, release five tabs (callout 1)

Figure 1-316 Remove the left cover (2 of 3)



3. Move the printer so that the left cover is over the edge of the work surface. Pull the top of the cover down at approximately 45-degree angle to remove it.

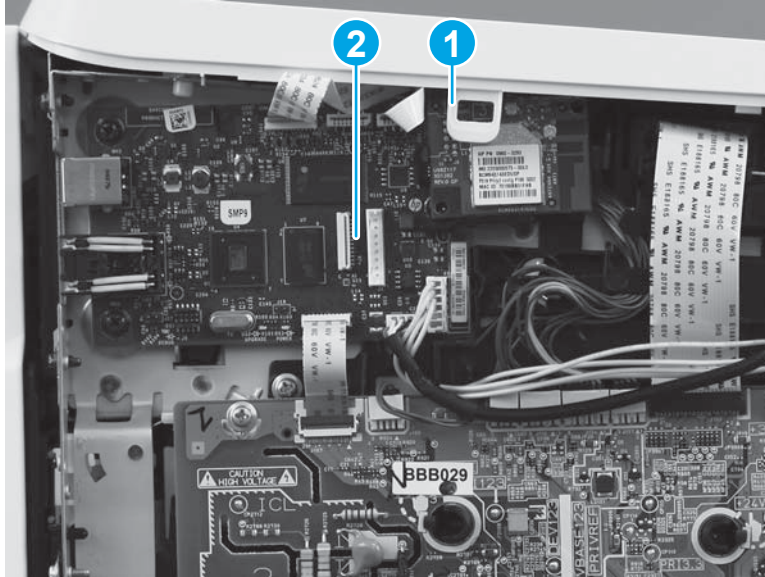
Figure 1-317 Remove the left cover (3 of 3)



Step 4: Remove the wireless PCA (wireless models)

- ▲ On the left side of the printer, disconnect the connector (callout 1) on the back of the wireless PCA by pulling the PCA away from the plastic holder on the formatter PCA (callout 2).

Figure 1-318 Remove the wireless PCA



Step 5: Remove the formatter

1. Disconnect all connectors on the formatter PCA.


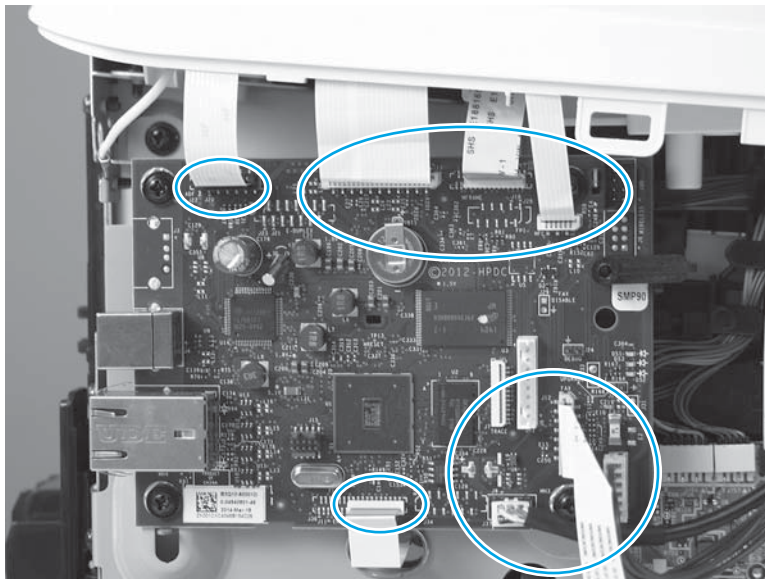
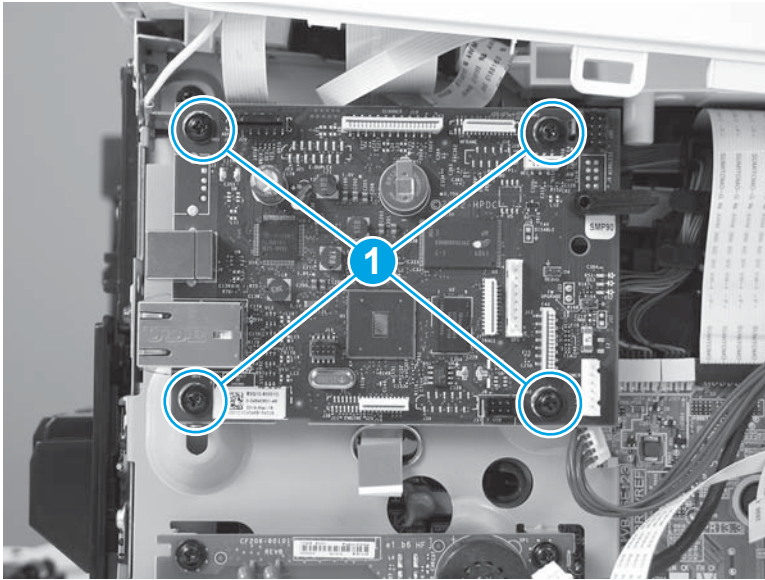
 **NOTE:** Depending on the model being serviced, the formatter might have a different number of connections than in the figure below.

Figure 1-319 Remove the formatter PCA (1 of 2)



2. Remove three black screws (callout 1), and then remove the PCA from the printer.

Figure 1-320 Remove the formatter PCA (2 of 2)



Step 6: Unpack a replacement formatter PCA

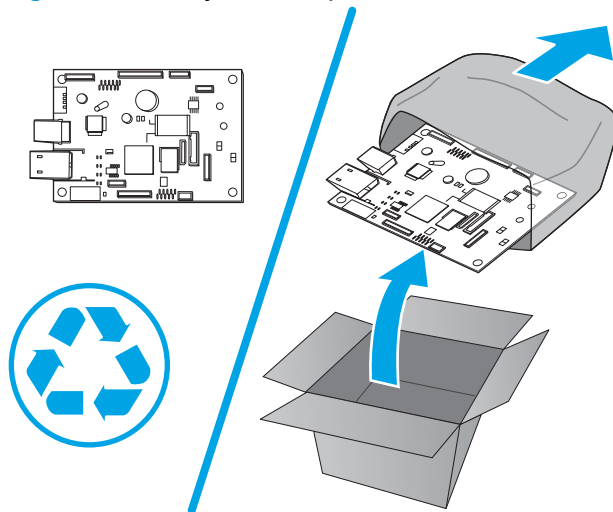
Remove the new formatter PCA from its package. Save all packaging for recycling the used part.

For complete information on HP's recycling programs, go to <http://www8.hp.com/us/en/hp-information/environment/product-recycling.html>.



NOTE: HP recommends responsible disposal of the defective assembly.

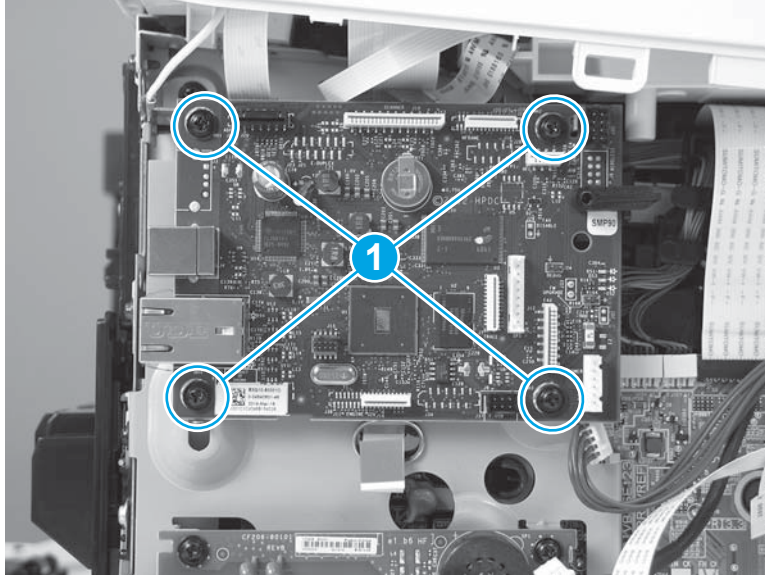
Figure 1-321 Recycle and unpack



Step 7: Install the formatter

1. Set the formatter PCA in place, and then install three black screws (callout 1).

Figure 1-322 Install the formatter PCA (1 of 2)



2. Connect all connectors on the formatter PCA.


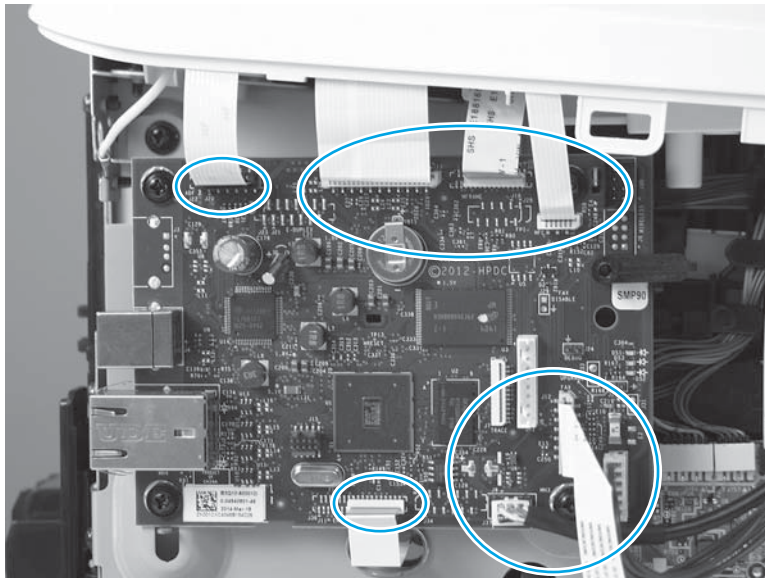
 **NOTE:** Depending on the model being serviced, the formatter might have a different number of connections than in the graphic below.

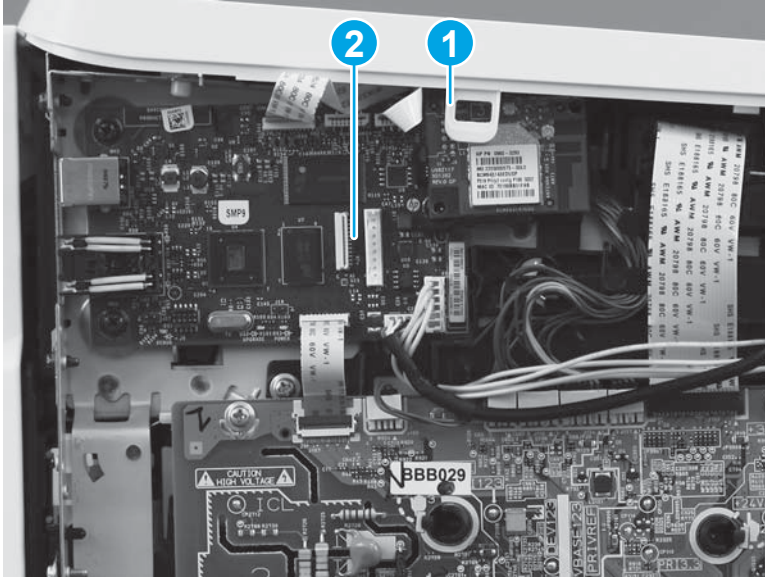
Figure 1-323 Install the formatter PCA (2 of 2)



Step 8: Install the wireless PCA (wireless models)

- ▲ On the left side of the printer, connect the connector (callout 1) on the back of the wireless PCA to the connector on the formatter PCA. Make sure that the PCA is set securely in the plastic holder on the formatter PCA (callout 2).

Figure 1-324 Install the wireless PCA



Step 9: Install the left cover

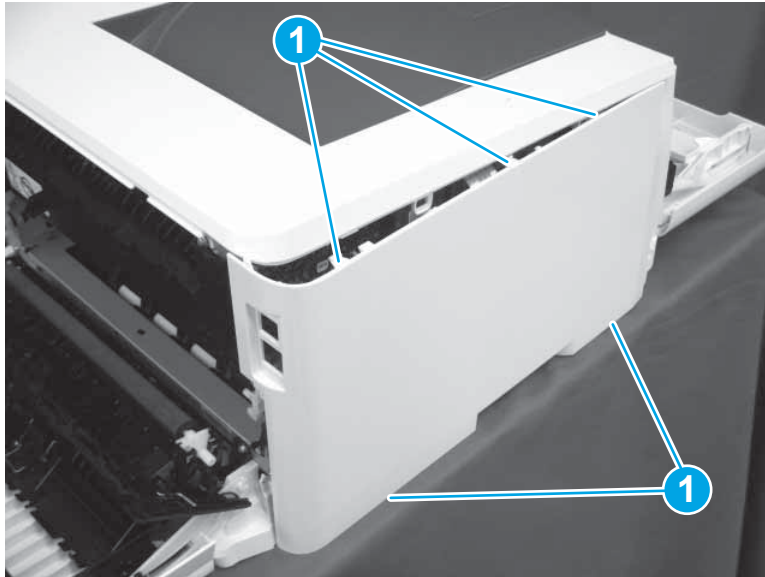
1. Engage the bottom front cover tab in the chassis, and then raise the top part of the cover to set the front tabs in place.

Figure 1-325 Install the left cover (1 of 3)



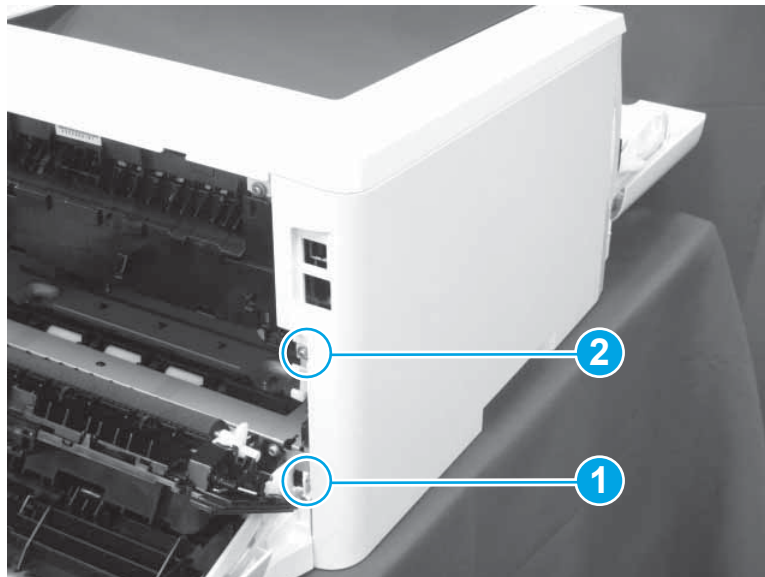
2. Working from the front edge to the back edge, engage five tabs (callout 1) along the top and bottom of the cover.

Figure 1-326 Install the left cover (2 of 3)



3. At the rear of the printer, engage one tab (callout 1), and then install one screw (callout 2).

Figure 1-327 Install the left cover (3 of 3)



Step 10: Close the front door and rear door or duplexer door

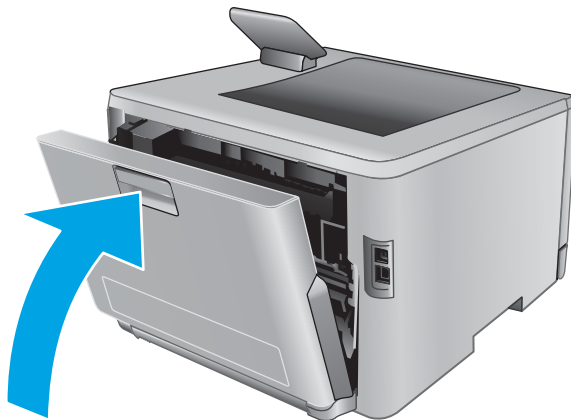
1. Close the front door.

Figure 1-328 Close the front door and rear door or duplexer door (1 of 2)



2. Close the rear door (simplex models) or duplexer door (duplex models).

Figure 1-329 Close the front door and rear door or duplexer door (2 of 2)



Step 11: Install Tray 2

- ▲ Align Tray 2 with the tray cavity, and then push the tray into the printer.

Figure 1-330 Install Tray 2



Removal and replacement: Formatter PCA (M274, M277 models)

- [Introduction](#)
- [Step 1: Remove Tray 2](#)
- [Step 2: Open the front door and rear door or duplexer door](#)
- [Step 3: Remove the left cover](#)
- [Step 4: Remove the wireless PCA \(wireless models\)](#)
- [Step 5: Remove the formatter](#)
- [Step 6: Unpack a replacement formatter PCA](#)
- [Step 7: Install the formatter](#)
- [Step 8: Install the wireless PCA \(wireless models\)](#)
- [Step 9: Install the left cover](#)
- [Step 10: Close the front door and rear door or duplexer door](#)
- [Step 11: Install Tray 2](#)


Introduction

This document provides the procedures to remove and replace the formatter.

To replace the formatter, remove the fax printed-circuit assembly (PCA) (fax models only) from the defective formatter and then install it on the replacement formatter.

Before you begin

- Turn off the printer.
- Disconnect the power cable.

 **WARNING!** To avoid damage to the printer, turn the printer off, wait 30 seconds, and then remove the power cord before attempting to service the printer.

- Use the table below to identify the correct part number for your printer. To order the part, go to www.hp.com/buy/parts.


Formatter kit part numbers	
B3Q10-60001	Formatter PCA with instruction guide, M274, M277n
B3Q11-60001	Formatter PCA with instruction guide, M277dw


Required tools

- #2 Phillips screwdriver with a magnetic tip

After performing service

- Connect the power cable.
- Use the power switch to turn the power on.

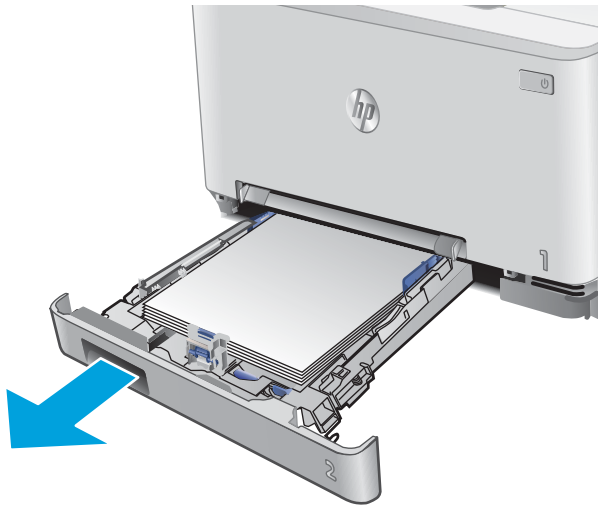
CAUTION:  This printer contains components that can be damaged by electrostatic discharge (ESD). To reduce the chance of ESD damage, place the printer on an ESD mat (if available), and wear an ESD wrist strap connected to a grounded surface. If an ESD workstation or mat is not available, ground yourself by touching the sheet-metal chassis before touching an ESD-sensitive part.

IMPORTANT:  Do not replace the formatter and engine controller unit simultaneously during a single printer servicing. Doing so might cause the printer to become unstable or inoperable.

Step 1: Remove Tray 2

- ▲ Using the handle on the face of Tray 2, pull the tray completely out of the printer.

Figure 1-331 Remove Tray 2



Step 2: Open the front door and rear door or duplexer door

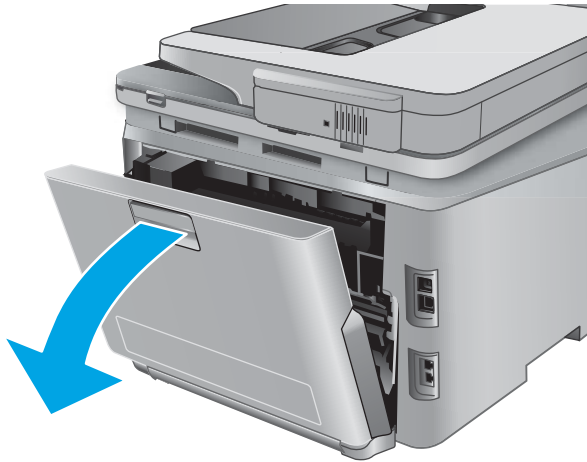
1. Open the front door.

Figure 1-332 Open the front door and rear door or duplexer door (1 of 2)



2. Use the latch release to open the rear door (simplex models) or duplexer door (duplex models).

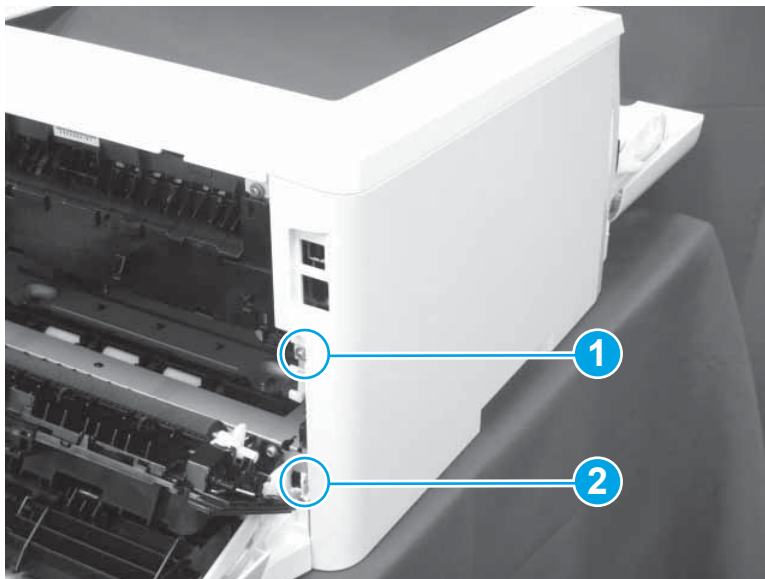
Figure 1-333 Open the front door and rear door or duplexer door (2 of 2)



Step 3: Remove the left cover

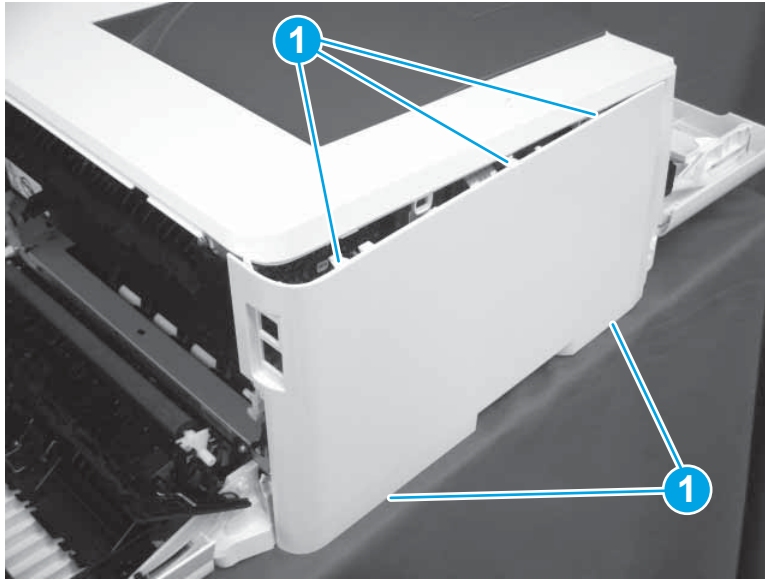
1. At the rear of the printer, remove one screw (callout 1), and then release one tab (callout 2).

Figure 1-334 Remove the left cover (1 of 3)



2. Starting at the top edge, release five tabs (callout 1)

Figure 1-335 Remove the left cover (2 of 3)



3. Move the printer so that the left cover is over the edge of the work surface. Pull the top of the cover down at approximately 45-degree angle to remove it.

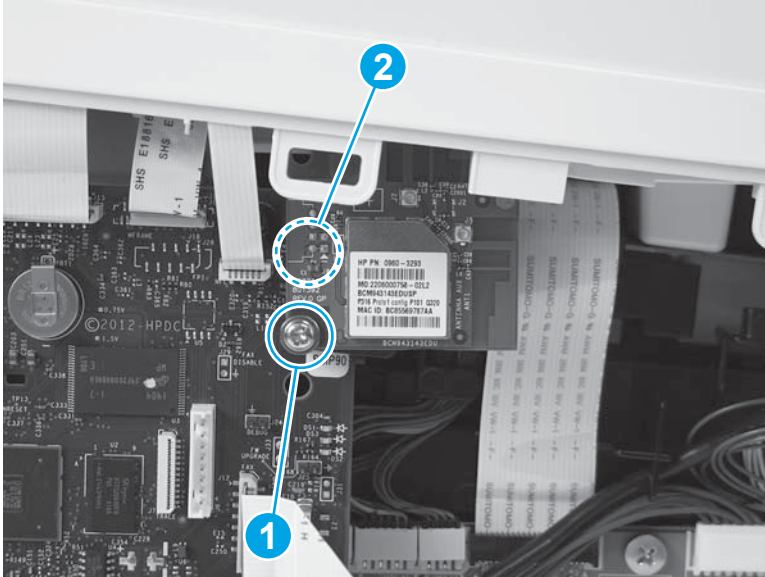
Figure 1-336 Remove the left cover (3 of 3)



Step 4: Remove the wireless PCA (wireless models)

- ▲ On the left side of the printer, remove one screw (callout 1), and then disconnect the connector (callout 2) on the back of the wireless PCA by pulling the PCA straight away from the formatter PCA.

Figure 1-337 Remove the wireless PCA



Step 5: Remove the formatter

1. Disconnect all connectors on the formatter PCA.


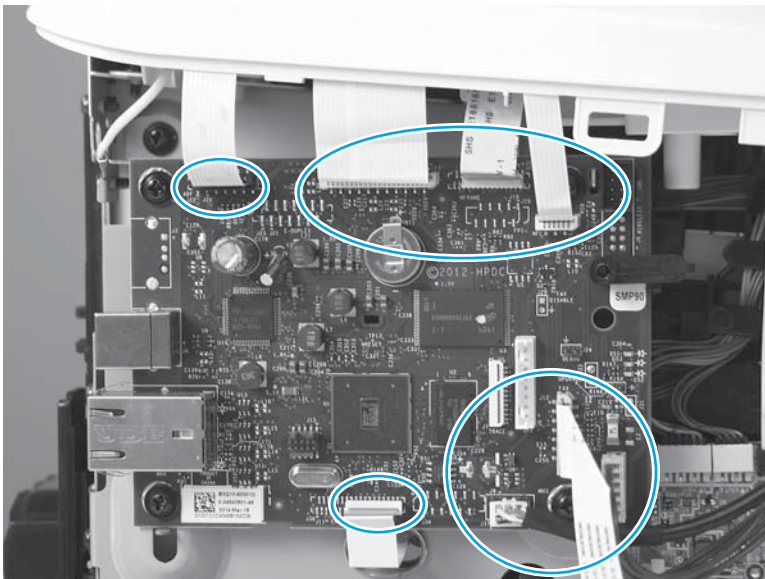
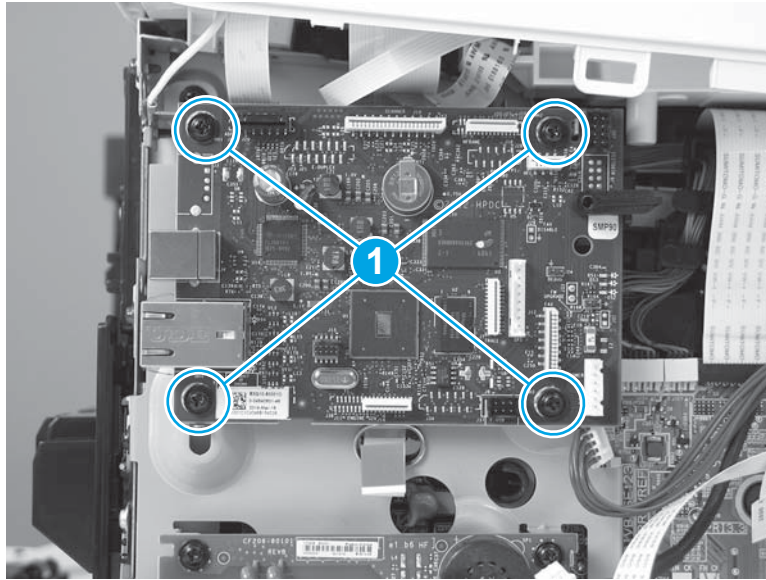
 **NOTE:** Depending on the model being serviced, the formatter might have a different number of connections than in the figure below.

Figure 1-338 Remove the formatter PCA (1 of 2)



2. Remove four black screws (callout 1), and then remove the PCA from the printer.

Figure 1-339 Remove the formatter PCA (2 of 2)



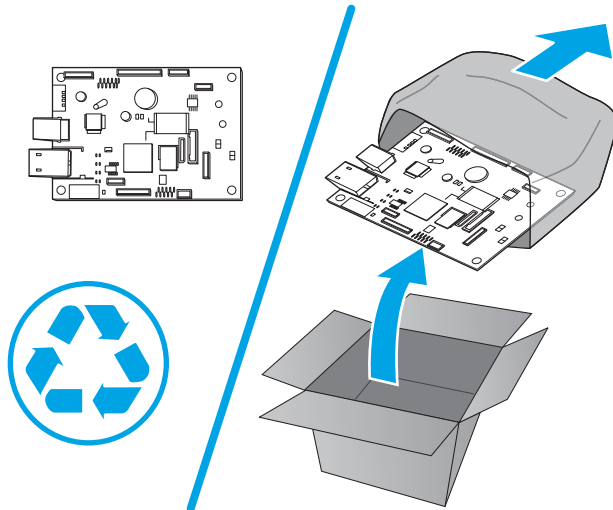
Step 6: Unpack a replacement formatter PCA

Remove the new formatter PCA from its package. Save all packaging for recycling the used part.

For complete information on HP's recycling programs, go to <http://www8.hp.com/us/en/hp-information/environment/product-recycling.html>.

 **NOTE:** HP recommends responsible disposal of the defective assembly.

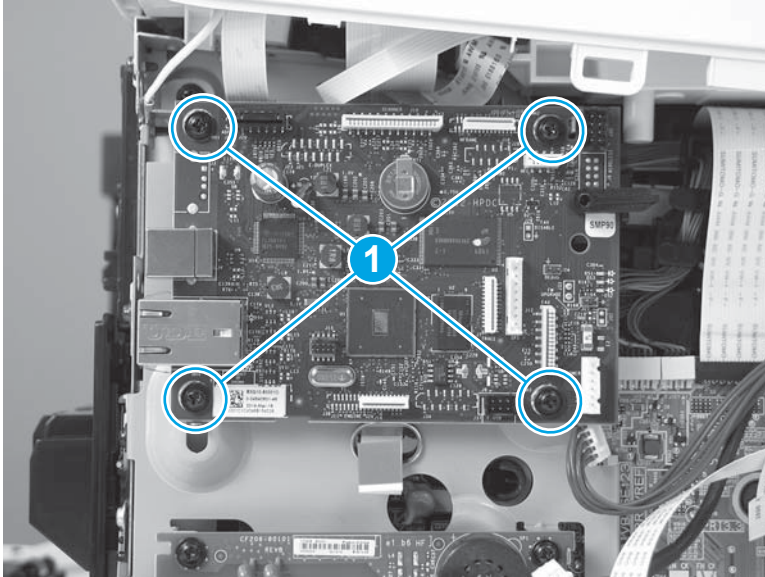
Figure 1-340 Recycle and unpack



Step 7: Install the formatter

1. Set the formatter PCA in place, and then install four black screws (callout 1).

Figure 1-341 Install the formatter PCA (1 of 2)

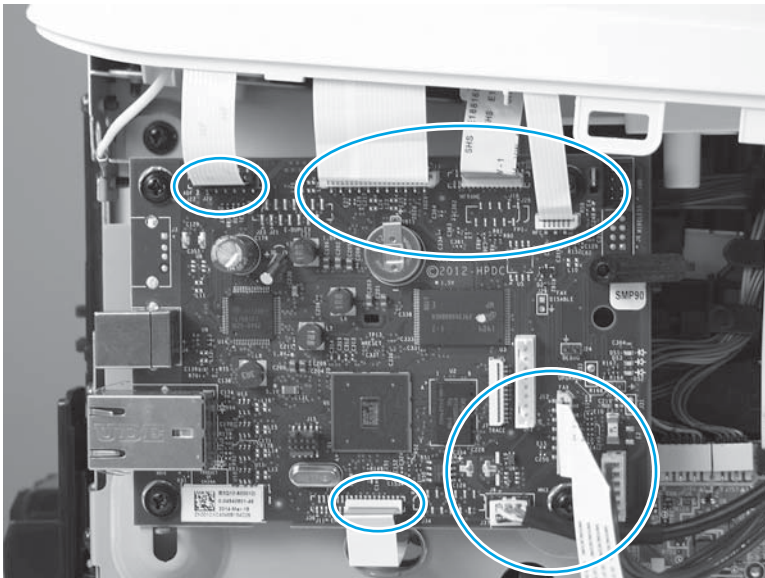


2. Connect all connectors on the formatter PCA.



NOTE: Depending on the model being serviced, the formatter might have a different number of connections than in the graphic below.

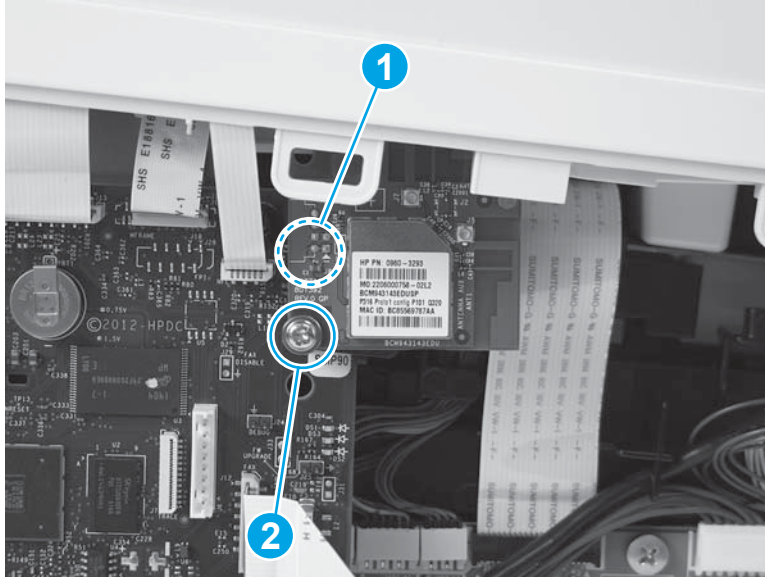
Figure 1-342 Install the formatter PCA (2 of 2)



Step 8: Install the wireless PCA (wireless models)

- ▲ On the left side of the printer, connect the connector (callout 1) on the back of the wireless PCA to the connector on the formatter PCA, and then install one screw (callout 2).

Figure 1-343 Install the wireless PCA



Step 9: Install the left cover

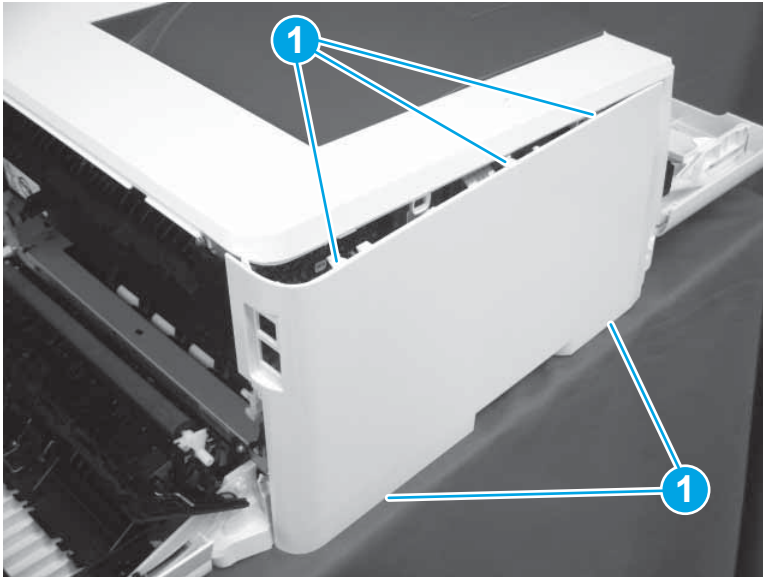
1. Engage the bottom front cover tab in the chassis, and then raise the top part of the cover to set the front tabs in place.

Figure 1-344 Install the left cover (1 of 3)



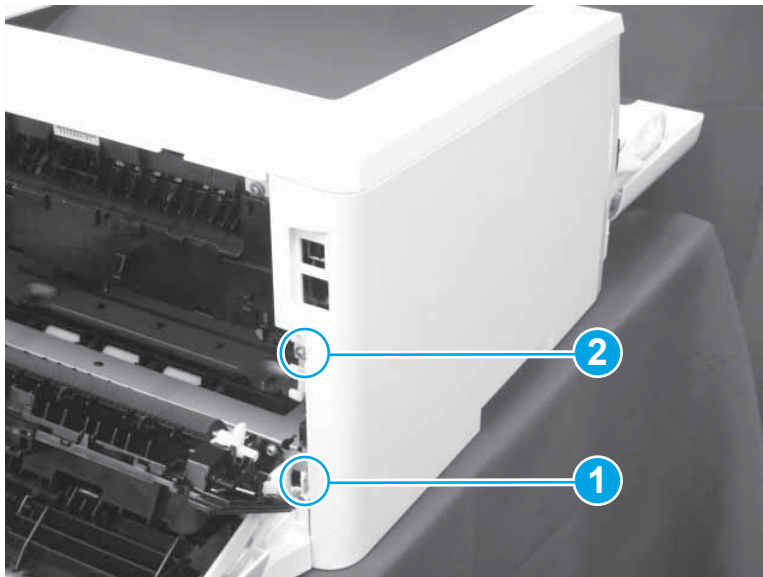
2. Working from the front edge to the back edge, engage five tabs (callout 1) along the top and bottom of the cover.

Figure 1-345 Install the left cover (2 of 3)



3. At the rear of the printer, engage one tab (callout 1), and then install one screw (callout 2).

Figure 1-346 Install the left cover (3 of 3)



Step 10: Close the front door and rear door or duplexer door

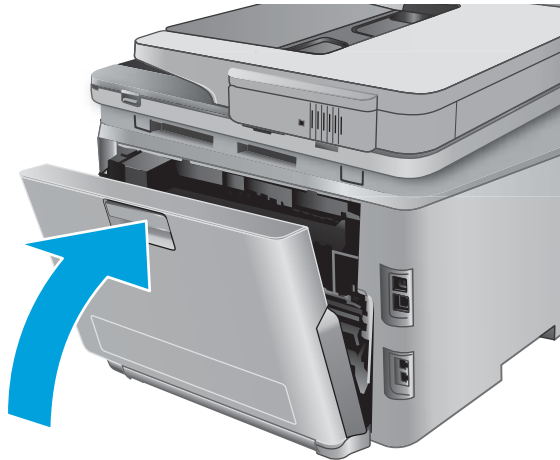
1. Close the front door.

Figure 1-347 Close the front door and rear door or duplexer door (1 of 2)



2. Close the rear door (simplex models) or duplexer door (duplex models).

Figure 1-348 Close the front door and rear door or duplexer door (2 of 2)



Step 11: Install Tray 2

- ▲ Align Tray 2 with the tray cavity, and then push the tray into the printer.

Figure 1-349 Install Tray 2



Removal and replacement: Engine controller unit (M252 models)


- [Introduction](#)
- [Step 1: Remove Tray 2](#)
- [Step 2: Open the front door and rear door or duplexer door](#)
- [Step 3: Remove the left cover](#)
- [Step 4: Remove the engine controller unit](#)
- [Step 5: Unpack a replacement engine controller unit](#)
- [Step 6: Install the engine controller unit](#)
- [Step 7: Install the left cover](#)
- [Step 8: Close the front door and rear door or duplexer door](#)
- [Step 9: Install Tray 2](#)

Introduction

This document provides the procedures to remove and replace the engine controller unit in the M274, M277 models.

Before you begin

- Turn off the printer.
- Disconnect the power cable.

 **WARNING!** To avoid damage to the printer, turn the printer off, wait 30 seconds, and then remove the power cord before attempting to service the printer.


- Use the table below to identify the correct part number for your printer. To order the part, go to www.hp.com/buy/parts.


Engine controller unit part numbers

RM2-8062-000CN	Engine controller unit, simplex models
-----------------------	--

RM2-8063-000CN	Engine controller unit, duplex models
-----------------------	---------------------------------------

 **CAUTION:**  ESD sensitive assembly.

 **IMPORTANT:** Do not replace the formatter and engine controller unit simultaneously during a single printer servicing. Doing so might cause the printer to become unstable or inoperable.

 **NOTE:** The engine controller unit (ECU) combines the digital controller (DCC) and high-voltage power supply (HVPS) on one printed circuit assembly.

Required tools

- #2 Phillips screwdriver with a magnetic tip

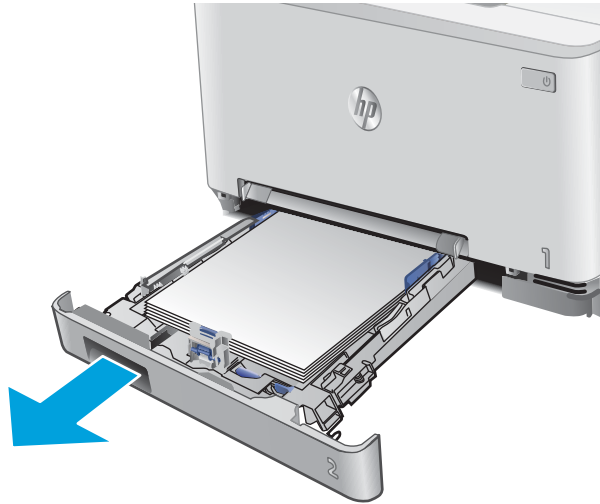
After performing service

- Connect the power cable.
- Use the power switch to turn the power on.

Step 1: Remove Tray 2

- ▲ Using the handle on the face of Tray 2, pull the tray completely out of the printer.

Figure 1-350 Remove Tray 2



Step 2: Open the front door and rear door or duplexer door

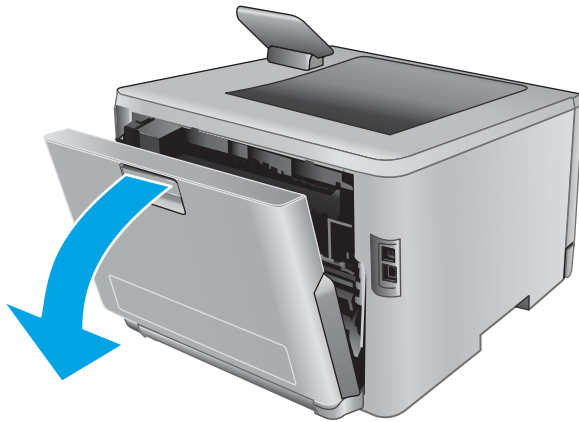
1. Open the front door.

Figure 1-351 Open the front door and rear door or duplexer door (1 of 2)



2. Use the latch release to open the rear door (simplex models) or duplexer door (duplex models).

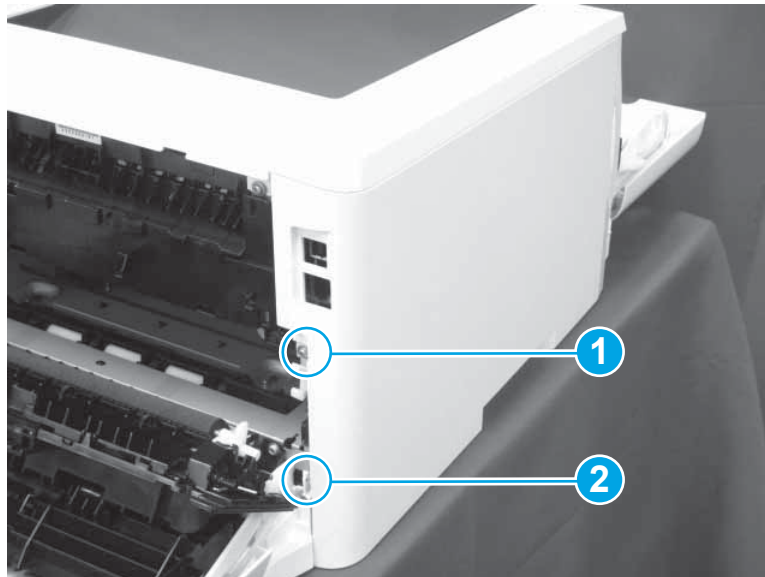
Figure 1-352 Open the front door and rear door or duplexer door (2 of 2)



Step 3: Remove the left cover

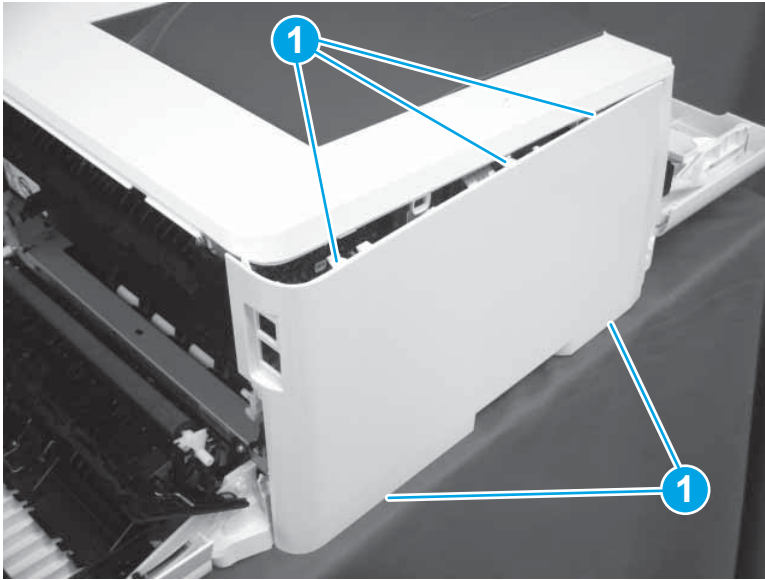
1. At the rear of the printer, remove one screw (callout 1), and then release one tab (callout 2).

Figure 1-353 Remove the left cover (1 of 3)



2. Starting at the top edge, release five tabs (callout 1)

Figure 1-354 Remove the left cover (2 of 3)



3. Move the printer so that the left cover is over the edge of the work surface. Pull the top of the cover down at approximately 45-degree angle to remove it.

Figure 1-355 Remove the left cover (3 of 3)

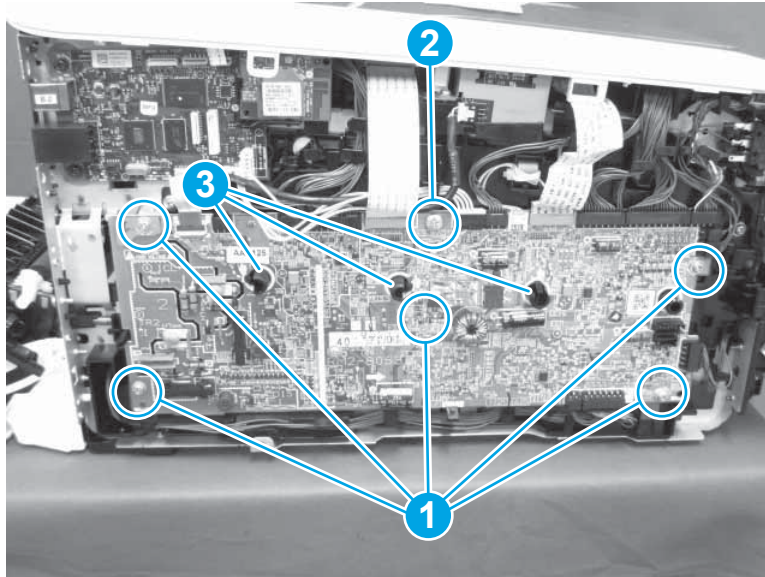


Step 4: Remove the engine controller unit

1. Disconnect all connectors on the engine controller unit.

2. Remove five screws (callout 1), remove one M4 tapping screw (callout 2), and then release three tabs (callout 3) to remove the engine controller unit from the chassis.

Figure 1-356 Remove the engine controller unit



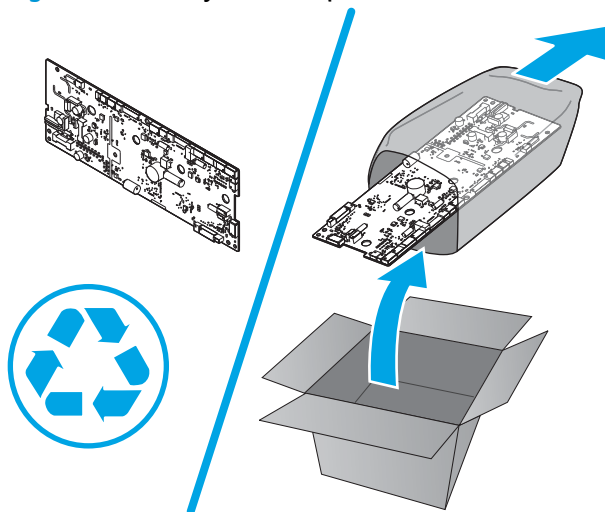
Step 5: Unpack a replacement engine controller unit

Remove the new DC controller PCA from its package. Save all packaging for recycling the used part.

For complete information on HP's recycling programs, go to <http://www8.hp.com/us/en/hp-information/environment/product-recycling.html>.

 **NOTE:** HP recommends responsible disposal of the defective assembly.

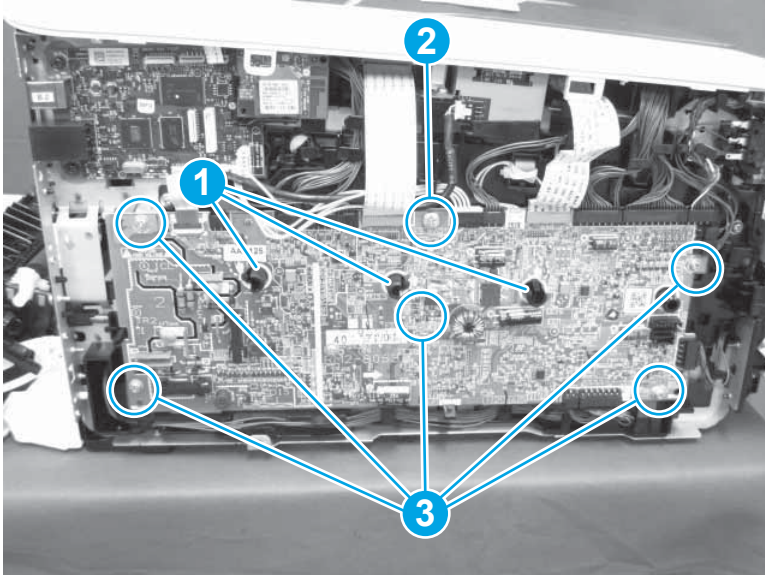
Figure 1-357 Recycle and unpack



Step 6: Install the engine controller unit

1. Set the engine controller unit in position, aligning the three posts (callout 1) with the slots in the PCA. Gently press the engine controller unit into place to engage the tabs on the posts, install one M4 tapping screw (callout 2), and then install five screws (callout 3).

Figure 1-358 Install the M252 engine controller unit



2. Connect all connectors on the engine controller unit.

Step 7: Install the left cover

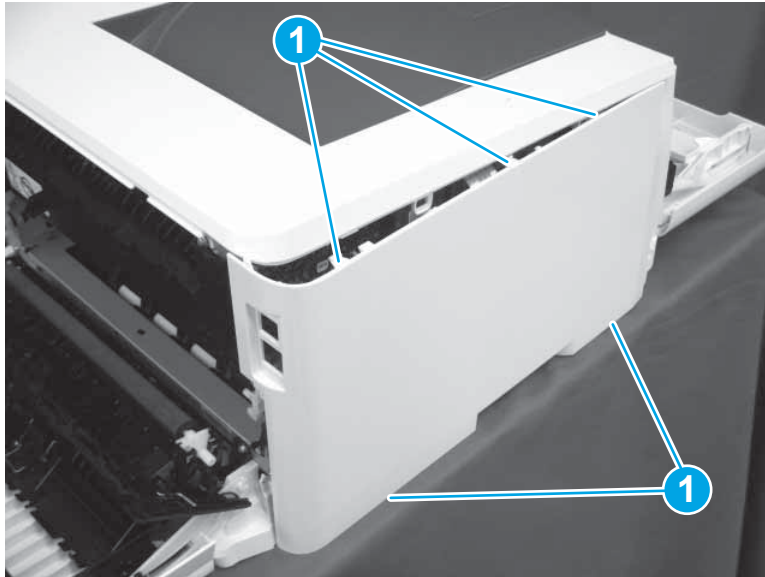
1. Engage the bottom front cover tab in the chassis, and then raise the top part of the cover to set the front tabs in place.

Figure 1-359 Install the left cover (1 of 3)



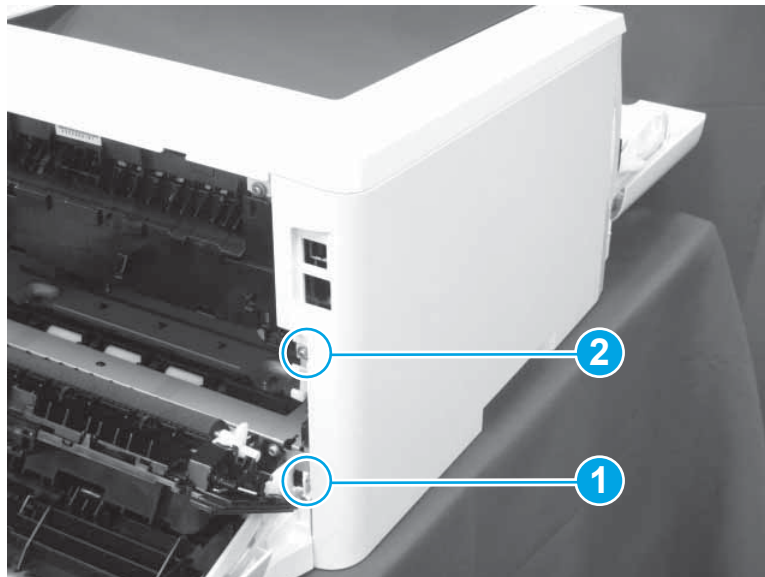
2. Working from the front edge to the back edge, engage five tabs (callout 1) along the top and bottom of the cover.

Figure 1-360 Install the left cover (2 of 3)



3. At the rear of the printer, engage one tab (callout 1), and then install one screw (callout 2).

Figure 1-361 Install the left cover (3 of 3)



Step 8: Close the front door and rear door or duplexer door

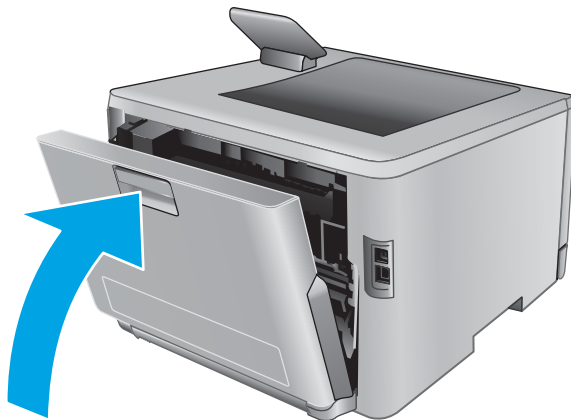
1. Close the front door.

Figure 1-362 Close the front door and rear door or duplexer door (1 of 2)



2. Close the rear door (simplex models) or duplexer door (duplex models).

Figure 1-363 Close the front door and rear door or duplexer door (2 of 2)



Step 9: Install Tray 2

- ▲ Align Tray 2 with the tray cavity, and then push the tray into the printer.

Figure 1-364 Install Tray 2



Removal and replacement: Engine controller unit (M274, M277 models)


- [Introduction](#)
- [Step 1: Remove Tray 2](#)
- [Step 2: Open the front door and rear door or duplexer door](#)
- [Step 3: Remove the left cover](#)
- [Step 4: Remove the wireless PCA \(wireless models\)](#)
- [Step 5: Remove the formatter](#)
- [Step 6: Remove the fax PCA \(fax models only\)](#)
- [Step 7: Remove the engine controller unit](#)
- [Step 8: Unpack a replacement engine controller unit](#)
- [Step 9: Install the engine controller unit](#)
- [Step 10: Install the fax PCA \(fax models only\)](#)
- [Step 11: Install the formatter](#)
- [Step 12: Install the wireless PCA \(wireless models\)](#)
- [Step 13: Install the left cover](#)
- [Step 14: Close the front door and rear door or duplexer door](#)
- [Step 15: Install Tray 2](#)

Introduction

This document provides the procedures to remove and replace the engine controller unit in the M274, M277 models.

Before you begin


- Turn off the printer.
- Disconnect the power cable.


 **WARNING!** To avoid damage to the printer, turn the printer off, wait 30 seconds, and then remove the power cord before attempting to service the printer.

- Use the table below to identify the correct part number for your printer. To order the part, go to www.hp.com/buy/parts.

Engine controller unit part numbers	
RM2-8062-000CN	Engine controller unit, simplex models
RM2-8063-000CN	Engine controller unit, duplex models

 **CAUTION:**  ESD sensitive assembly.

 **IMPORTANT:** Do not replace the formatter and engine controller unit simultaneously during a single printer servicing. Doing so might cause the printer to become unstable or inoperable.

 **NOTE:** The engine controller unit (ECU) combines the digital controller (DCC) and high-voltage power supply (HVPS) on one printed circuit assembly.

Required tools

- #2 Phillips screwdriver with a magnetic tip

After performing service

- Connect the power cable.
- Use the power switch to turn the power on.

Step 1: Remove Tray 2

- ▲ Using the handle on the face of Tray 2, pull the tray completely out of the printer.

Figure 1-365 Remove Tray 2



Step 2: Open the front door and rear door or duplexer door

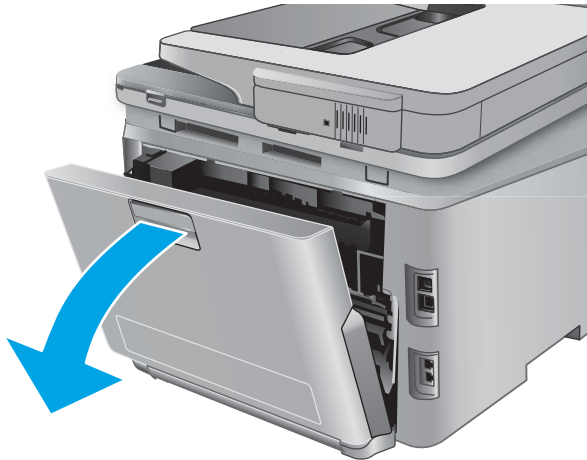
1. Open the front door.

Figure 1-366 Open the front door and rear door or duplexer door (1 of 2)



2. Use the latch release to open the rear door (simplex models) or duplexer door (duplex models).

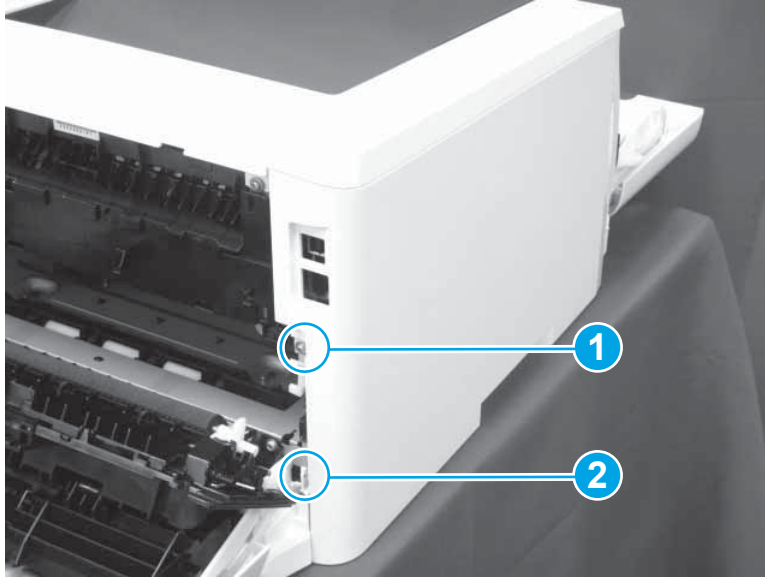
Figure 1-367 Open the front door and rear door or duplexer door (2 of 2)



Step 3: Remove the left cover

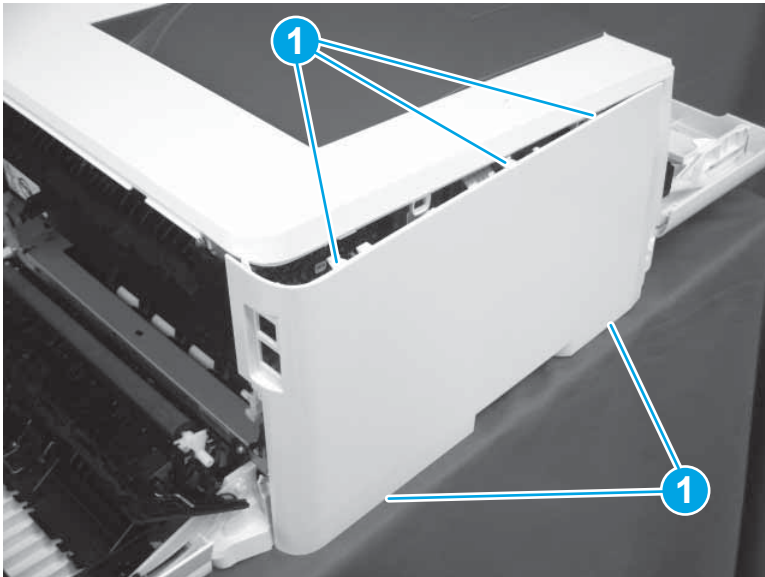
1. At the rear of the printer, remove one screw (callout 1), and then release one tab (callout 2).

Figure 1-368 Remove the left cover (1 of 3)



2. Starting at the top edge, release five tabs (callout 1)

Figure 1-369 Remove the left cover (2 of 3)



3. Move the printer so that the left cover is over the edge of the work surface. Pull the top of the cover down at approximately 45-degree angle to remove it.

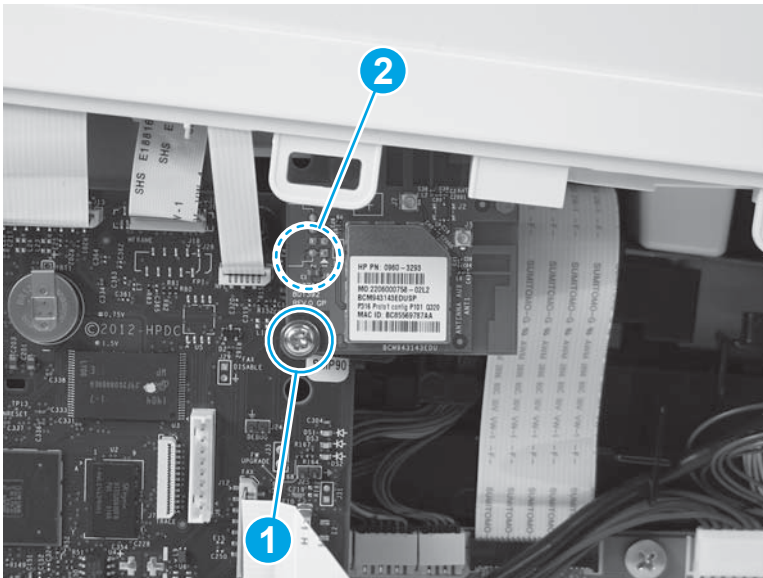
Figure 1-370 Remove the left cover (3 of 3)



Step 4: Remove the wireless PCA (wireless models)

- ▲ On the left side of the printer, remove one screw (callout 1), and then disconnect the connector (callout 2) on the back of the wireless PCA by pulling the PCA straight away from the formatter PCA.

Figure 1-371 Remove the wireless PCA



Step 5: Remove the formatter

1. Disconnect all connectors on the formatter PCA.


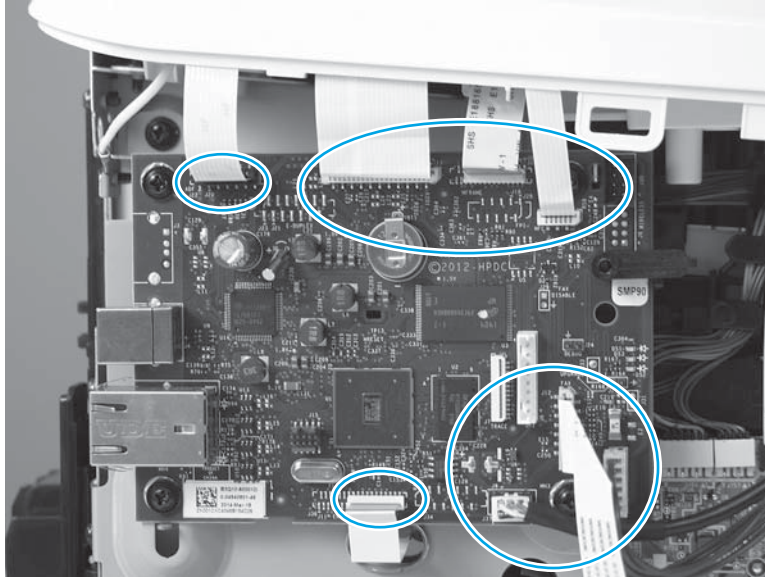
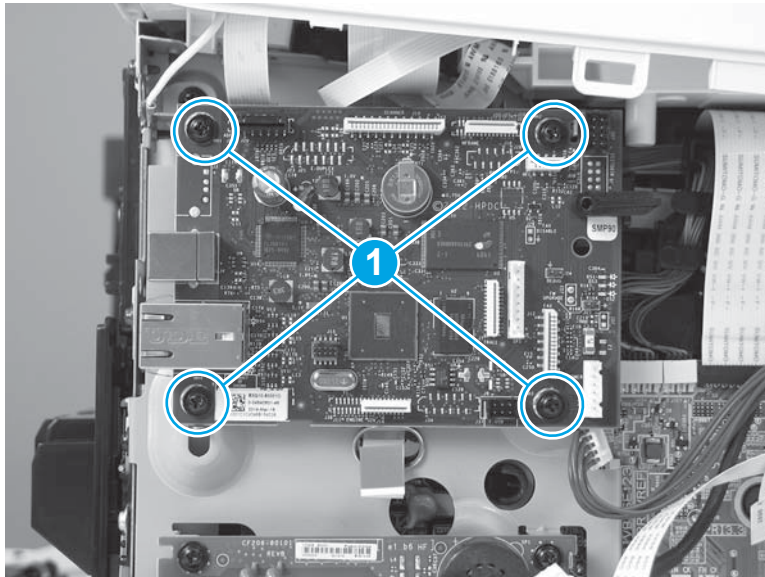
 **NOTE:** Depending on the model being serviced, the formatter might have a different number of connections than in the figure below.

Figure 1-372 Remove the formatter PCA (1 of 2)



2. Remove four black screws (callout 1), and then remove the PCA from the printer.

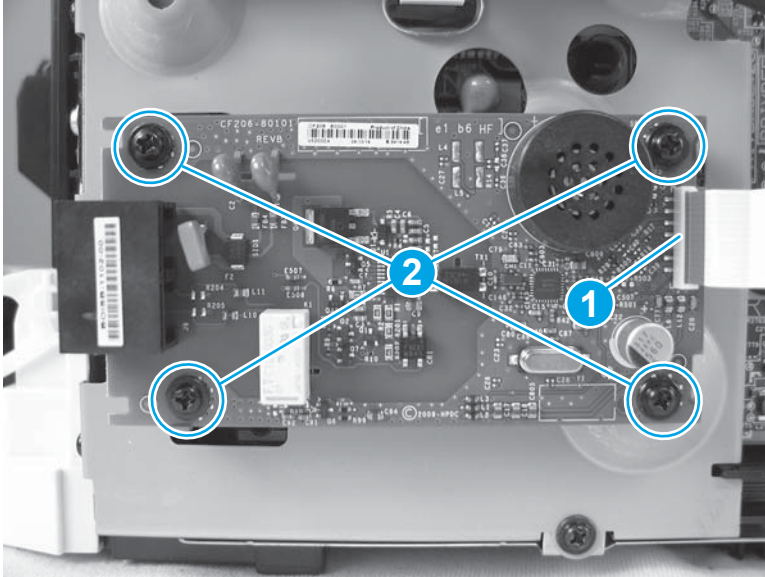
Figure 1-373 Remove the formatter PCA (2 of 2)



Step 6: Remove the fax PCA (fax models only)

- ▲ On the left side of the printer, disconnect one connector (callout 1), and then remove four screws (callout 2) to remove the fax PCA.

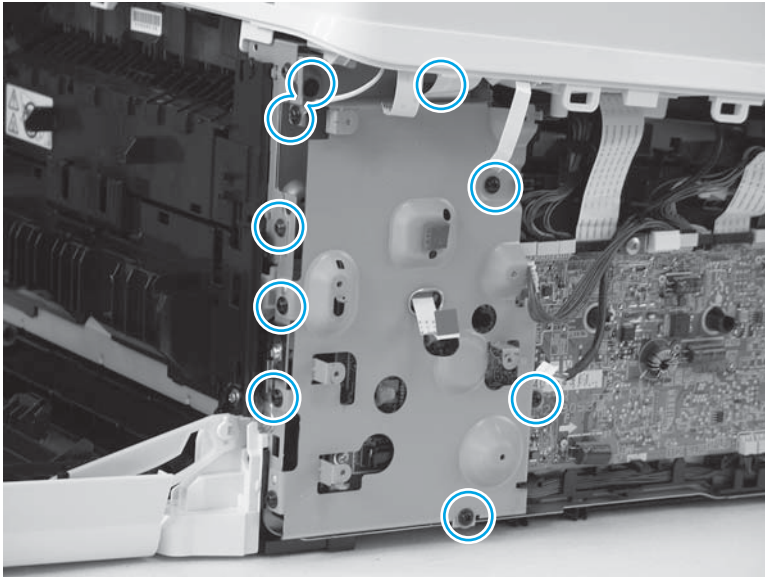
Figure 1-374 Remove the M277 fax PCA



Step 7: Remove the engine controller unit

1. Remove nine screws (callout 1) to remove the engine controller unit cover.

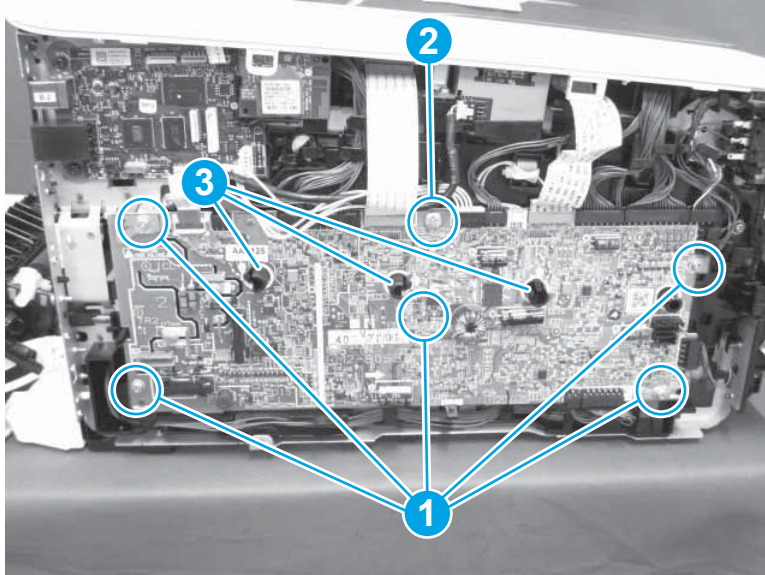
Figure 1-375 Remove the M274, M277 engine controller unit (1 of 2)



2. Disconnect all connectors on the engine controller unit.

3. Remove five screws (callout 1), remove one M4 tapping screw (callout 2), and then release three tabs (callout 3) to remove the engine controller unit from the chassis.

Figure 1-376 Remove the M274, M277 engine controller unit (2 of 2)



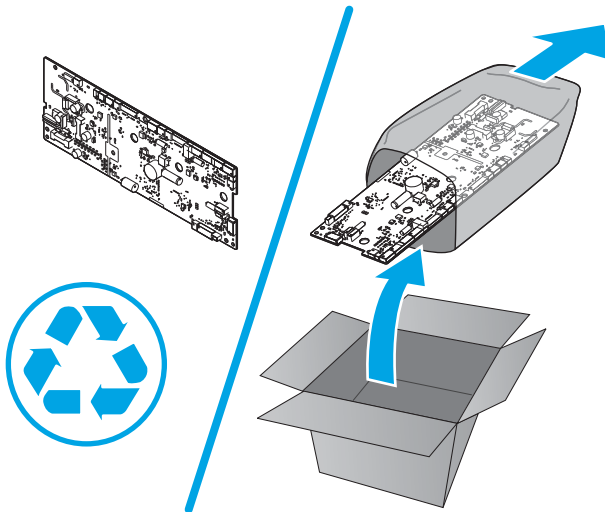
Step 8: Unpack a replacement engine controller unit

Remove the new DC controller PCA from its package. Save all packaging for recycling the used part.

For complete information on HP's recycling programs, go to <http://www8.hp.com/us/en/hp-information/environment/product-recycling.html>.

 **NOTE:** HP recommends responsible disposal of the defective assembly.

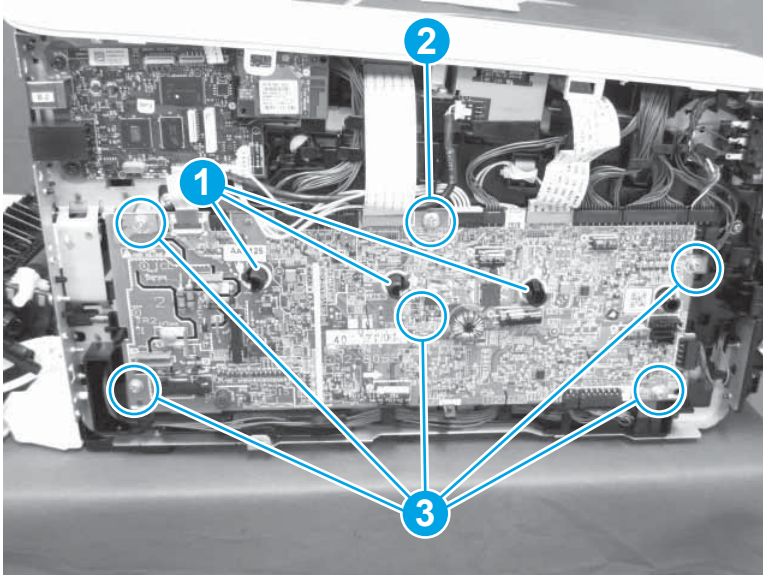
Figure 1-377 Recycle and unpack



Step 9: Install the engine controller unit

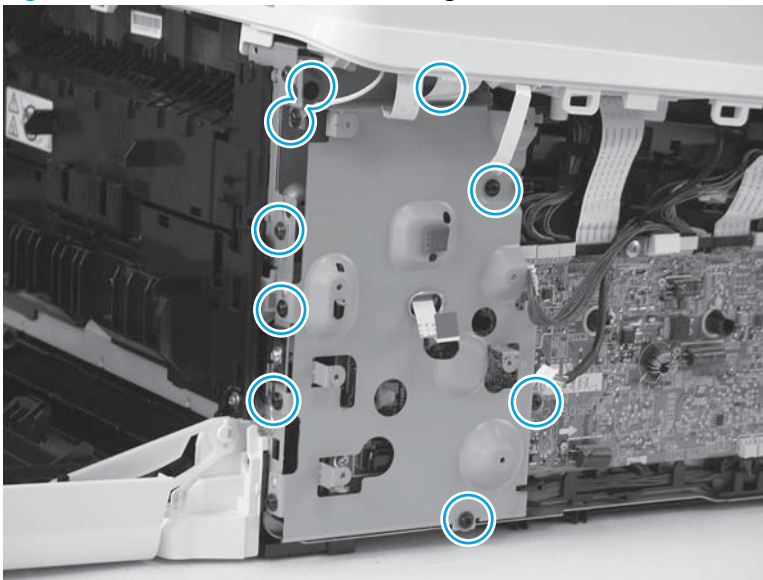
1. Set the engine controller unit in position, aligning the three posts (callout 1) with the slots in the PCA. Gently press the engine controller unit into place to engage the tabs on the posts, install one M4 tapping screw (callout 2), and then install five screws (callout 3).

Figure 1-378 Install the M274, M277 engine controller unit (1 of 2)



2. Connect all connectors on the engine controller unit.
3. Set the engine controller unit cover in place, and then install nine screws.

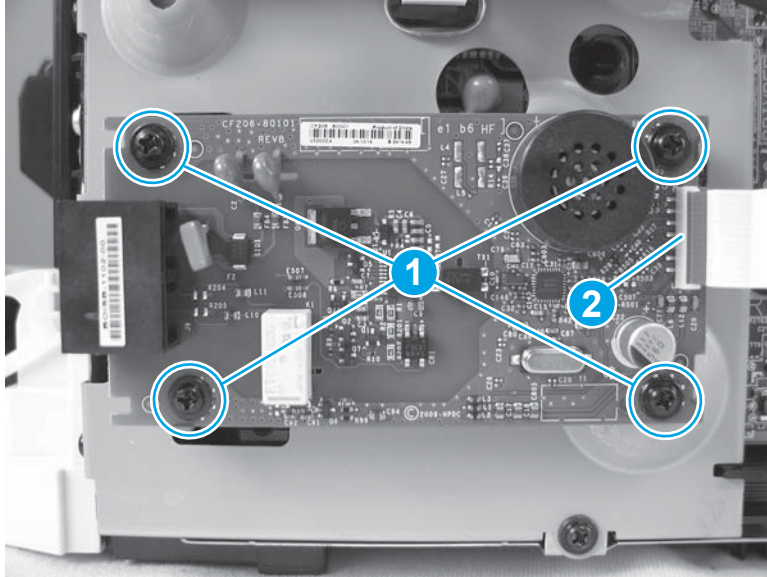
Figure 1-379 Install the M274, M277 engine controller unit (2 of 2)



Step 10: Install the fax PCA (fax models only)

- ▲ On the left side of the printer, set the fax PCA in place, install four screws (callout 1), and then connect one connector (callout 2).

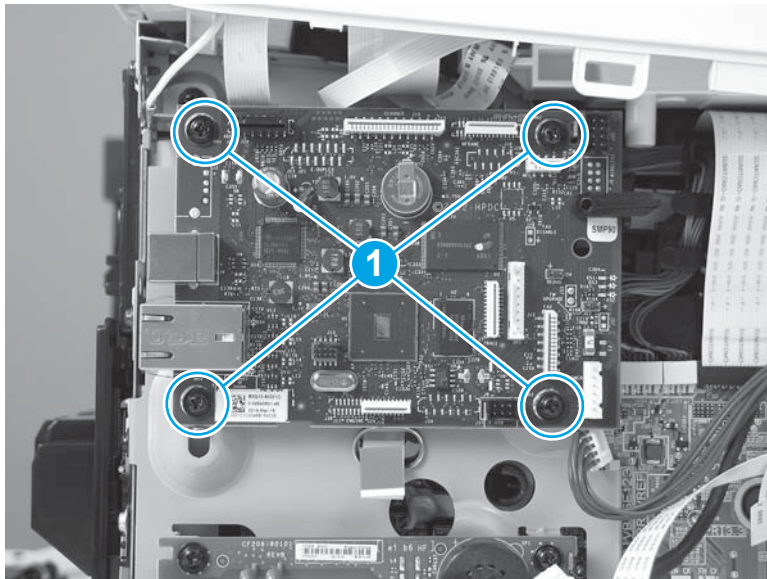
Figure 1-380 Install the M277 fax PCA



Step 11: Install the formatter

1. Set the formatter PCA in place, and then install four black screws (callout 1).

Figure 1-381 Install the formatter PCA (1 of 2)



2. Connect all connectors on the formatter PCA.


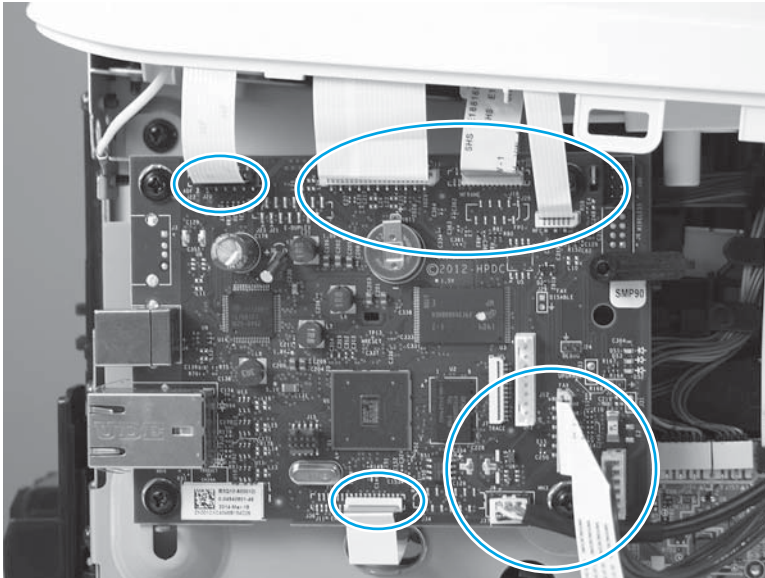
 **NOTE:** Depending on the model being serviced, the formatter might have a different number of connections than in the graphic below.

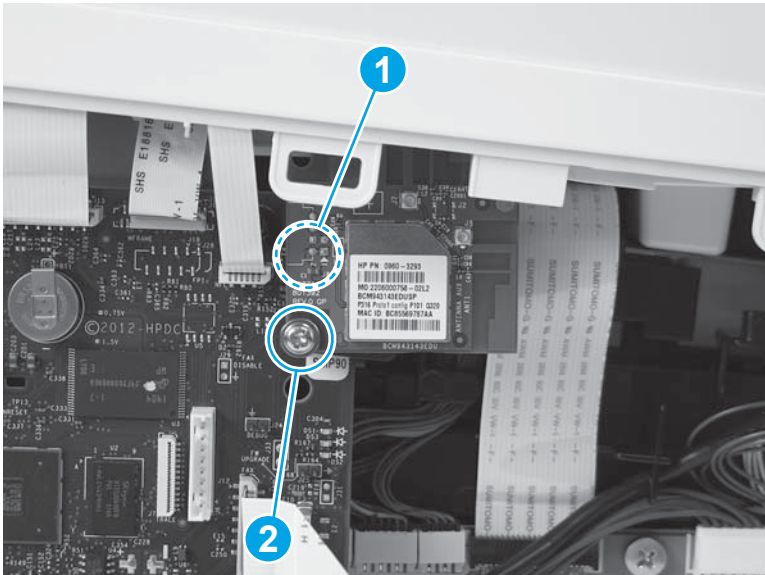
Figure 1-382 Install the formatter PCA (2 of 2)



Step 12: Install the wireless PCA (wireless models)

- ▲ On the left side of the printer, connect the connector (callout 1) on the back of the wireless PCA to the connector on the formatter PCA, and then install one screw (callout 2).

Figure 1-383 Install the wireless PCA



Step 13: Install the left cover

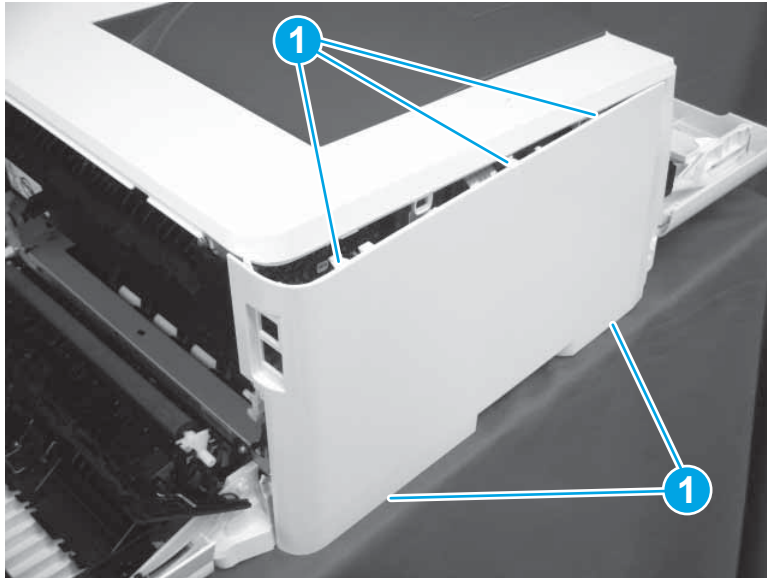
1. Engage the bottom front cover tab in the chassis, and then raise the top part of the cover to set the front tabs in place.

Figure 1-384 Install the left cover (1 of 3)



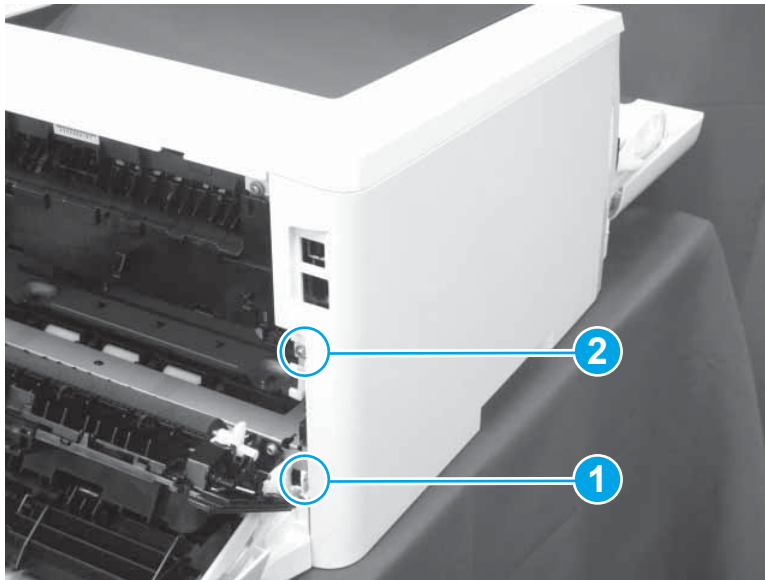
2. Working from the front edge to the back edge, engage five tabs (callout 1) along the top and bottom of the cover.

Figure 1-385 Install the left cover (2 of 3)



3. At the rear of the printer, engage one tab (callout 1), and then install one screw (callout 2).

Figure 1-386 Install the left cover (3 of 3)



Step 14: Close the front door and rear door or duplexer door

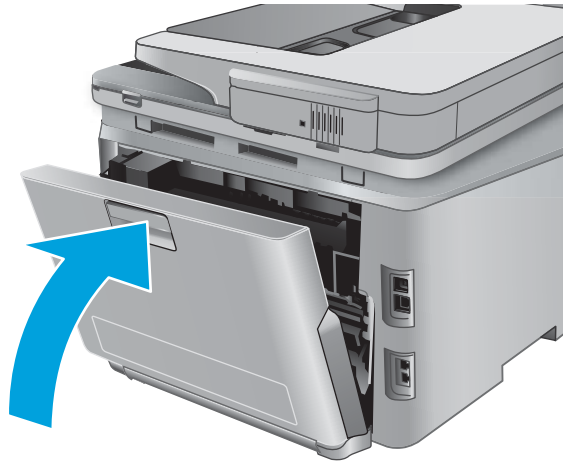
1. Close the front door.

Figure 1-387 Close the front door and rear door or duplexer door (1 of 2)



2. Close the rear door (simplex models) or duplexer door (duplex models).

Figure 1-388 Close the front door and rear door or duplexer door (2 of 2)



Step 15: Install Tray 2

- ▲ Align Tray 2 with the tray cavity, and then push the tray into the printer.

Figure 1-389 Install Tray 2



Removal and replacement: Intermediate transfer belt (ITB)


- [Introduction](#)
- [Step 1: Remove Tray 2](#)
- [Step 2: Remove the priority feed slot tray](#)
- [Step 3: Open the front door and rear door or duplexer door](#)
- [Step 4: Remove the duplexer door assembly \(duplex models\)](#)
- [Step 5: Remove the rear door assembly](#)
- [Step 6: Remove the ITB](#)
- [Step 7: Unpack a replacement ITB](#)
- [Step 8: Install the ITB](#)
- [Step 9: Install the rear door assembly](#)
- [Step 10: Install the duplexer door assembly \(duplex models\)](#)
- [Step 11: Close the front door and rear door or duplexer door](#)
- [Step 12: Install the priority feed slot tray](#)
- [Step 13: Install Tray 2](#)

Introduction

This document provides the procedures to remove and replace the intermediate transfer belt (ITB).

Before you begin

- Turn off the printer.
- Disconnect the power cable.

 **WARNING!** To avoid damage to the printer, turn the printer off, wait 30 seconds, and then remove the power cord before attempting to service the printer.

- Use the table below to identify the correct part number for your printer. To order the part, go to www.hp.com/buy/parts.

ITB part numbers	
RM2-5907-000CN	ITB

Required tools

- A special removal tool is provided with the ITB.
- #2 Phillips screwdriver with a magnetic tip

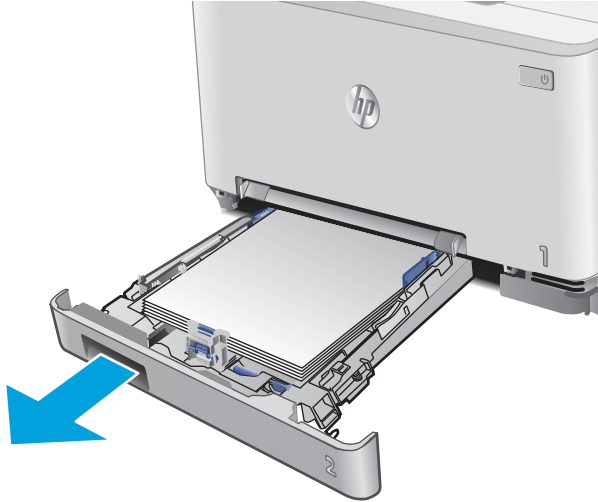
After performing service

- Connect the power cable.
- Use the power switch to turn the power on.

Step 1: Remove Tray 2

- ▲ Using the handle on the face of Tray 2, pull the tray completely out of the printer.

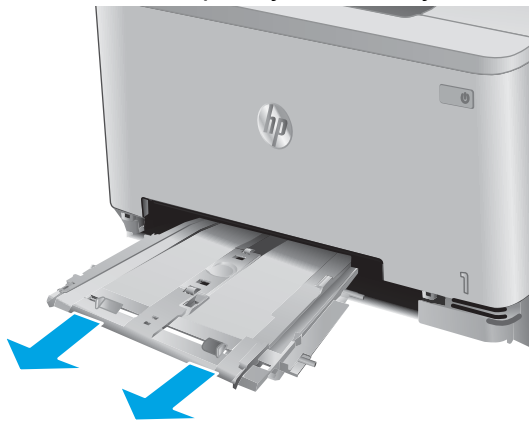
Figure 1-390 Remove Tray 2



Step 2: Remove the priority feed slot tray

- ▲ At the front of the printer, gently push down on the single-sheet priority feed slot tray, and then pull out the feed slot tray.

Figure 1-391 Remove the priority feed slot tray



Step 3: Open the front door and rear door or duplexer door

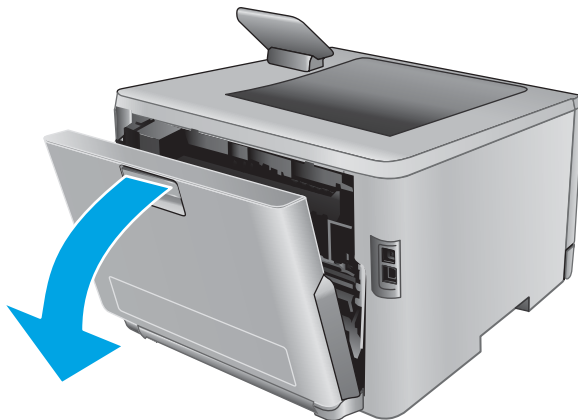
1. Open the front door.

Figure 1-392 Open the front door and rear door or duplexer door (1 of 2)



2. Use the latch release to open the rear door (simplex models) or duplexer door (duplex models).

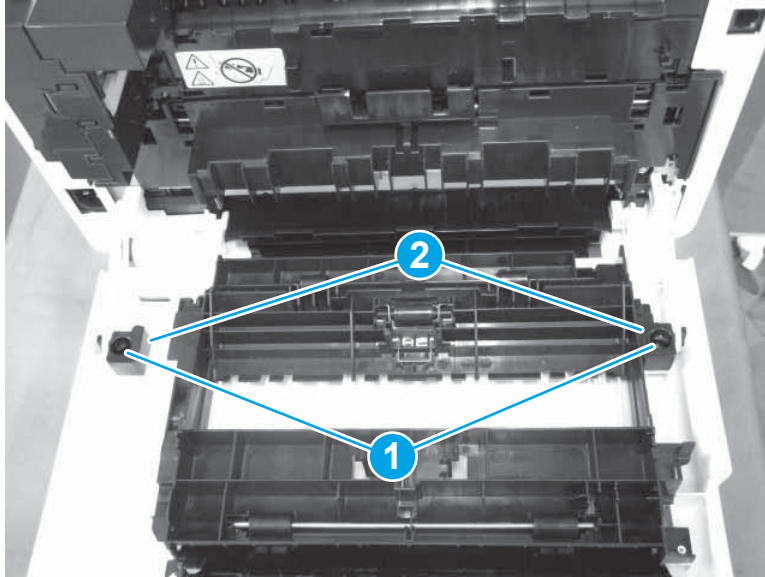
Figure 1-393 Open the front door and rear door or duplexer door (2 of 2)



Step 4: Remove the duplexer door assembly (duplex models)

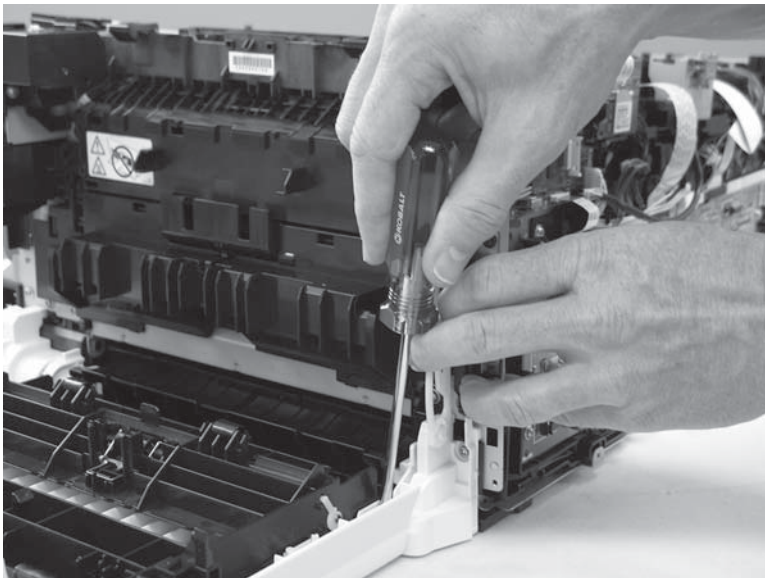
1. At the rear of the printer, at the bottom of the duplexer door, remove two larger M4 tapping screws (callout 1), and then remove the two holders (callout 2) from the door.

Figure 1-394 Remove the duplexer door (1 of 3)



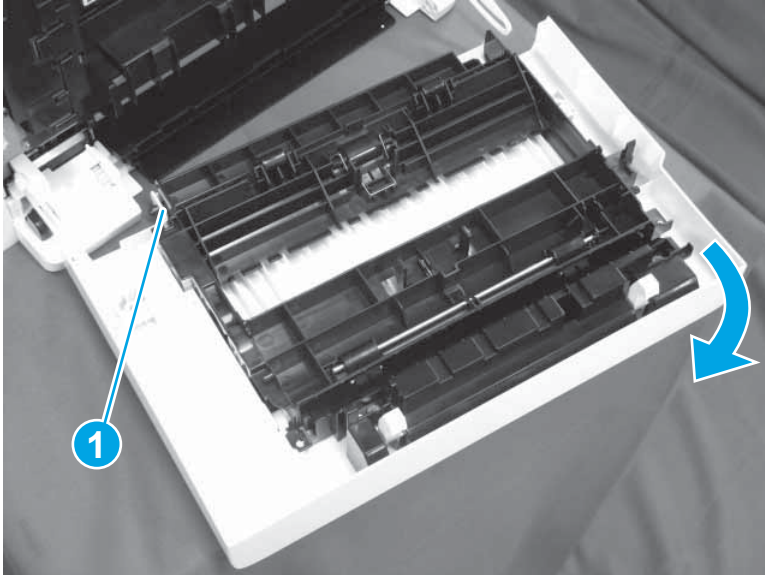
2. Use a small flat-blade screwdriver to unsnap the shaft, then rotate the shaft towards the front of the printer and slide it out of its mating pocket, releasing the shaft on the right side of the door.

Figure 1-395 Remove the duplexer door (2 of 3)



3. With the right shaft released, pull the right side of the door away from the chassis and then release the left shaft (callout 1) from the chassis.

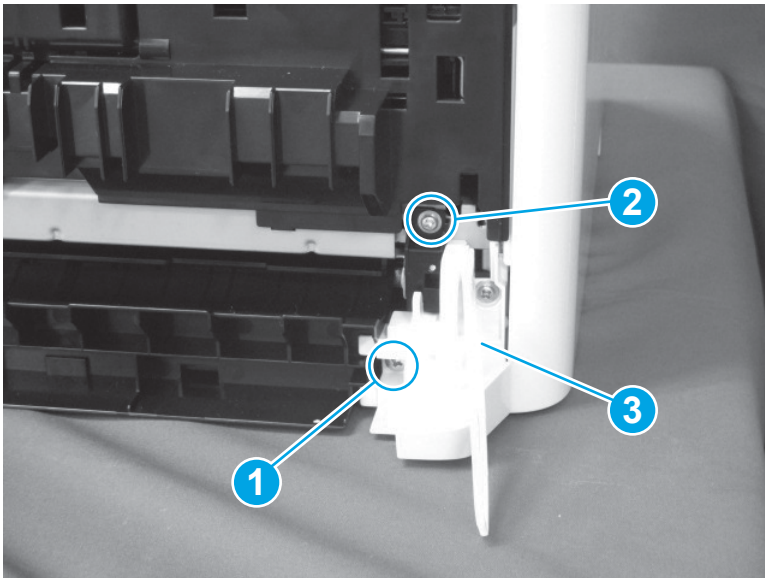
Figure 1-396 Remove the duplexer door (3 of 3)



Step 5: Remove the rear door assembly

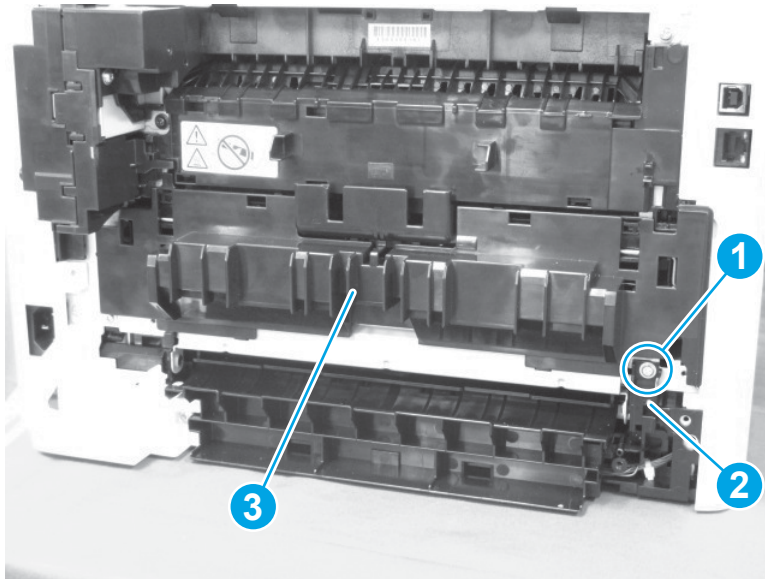
1. On the rear side of the printer, remove one M4 tapping screw (callout 1), remove one other screw (callout 2), and then remove the holder (callout 3).

Figure 1-397 Remove the rear door assembly (1 of 2)



2. Remove one screw (callout 1), remove the holder (callout 2), and then remove the assembly (callout 3) from the printer.

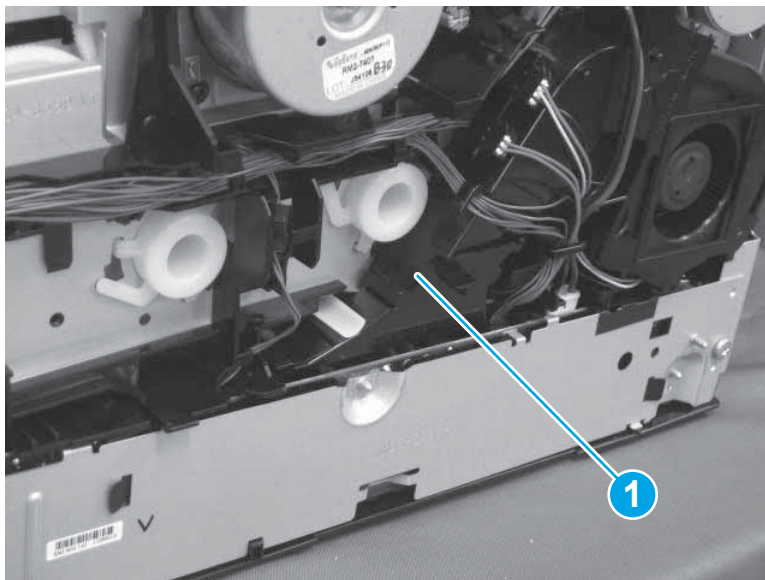
Figure 1-398 Remove the rear door assembly (2 of 2)



Step 6: Remove the ITB

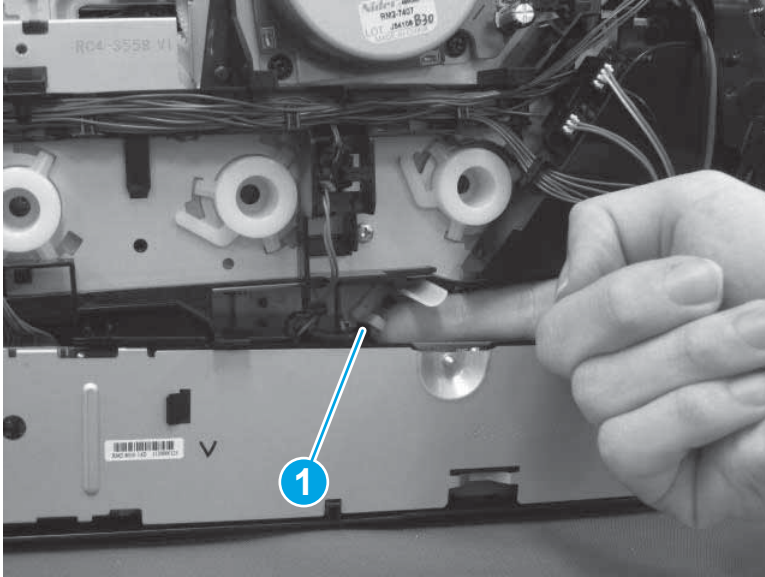
1. On the right side of the printer, remove the fan duct cover (callout 1).

Figure 1-399 Remove the ITB (1 of 8)



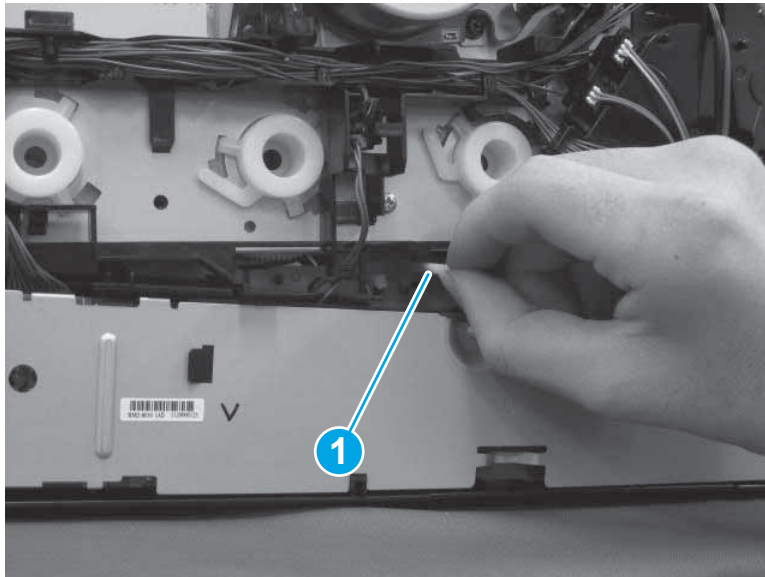
2. Next to the area where the duct cover was located, release the white plastic tab (callout 1). Rotate it toward the front of the printer.

Figure 1-400 Remove the ITB (2 of 8)



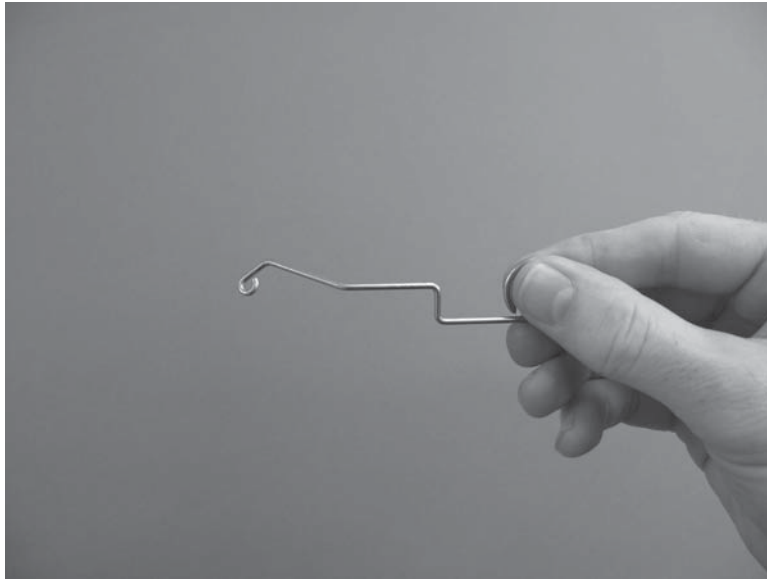
3. Pull the white plastic shaft (callout 1) away from the chassis to loosen it.

Figure 1-401 Remove the ITB (3 of 8)



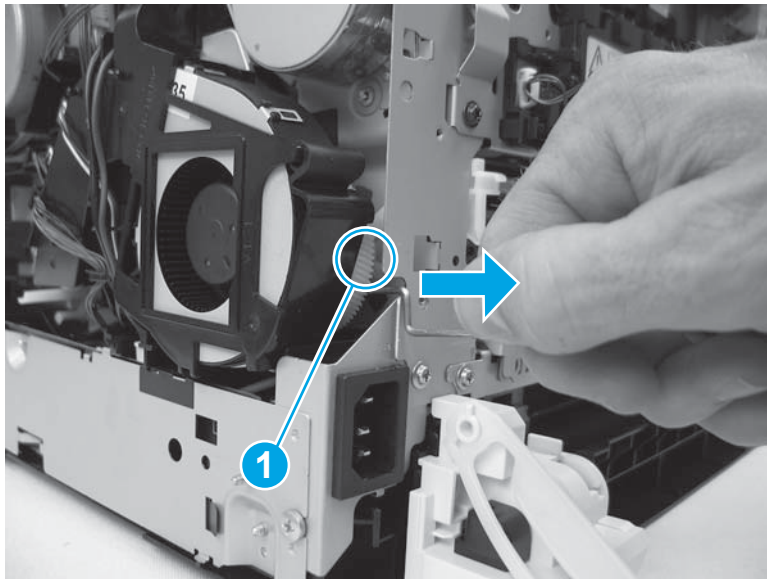
4. Find the ITB service tool and use the graphic below to see how to hold it correctly.

Figure 1-402 Remove the ITB (4 of 8)



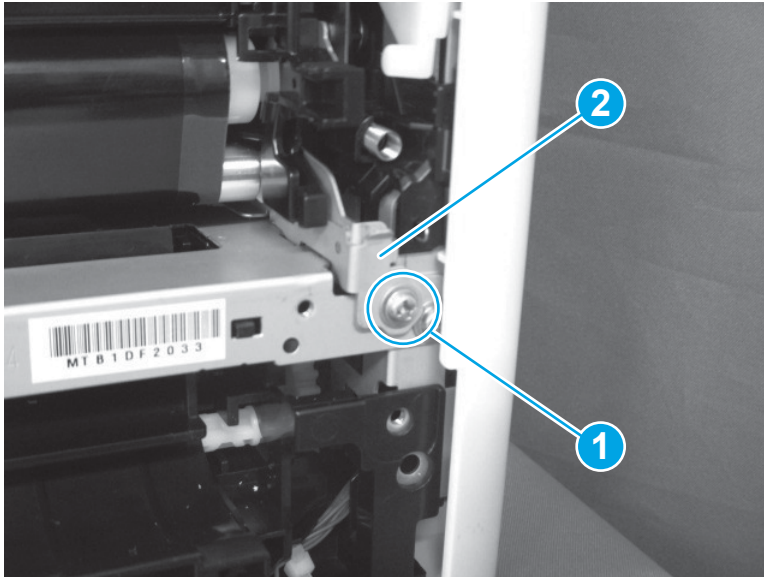
5. At the rear of the printer right side, position the ITB service tool to push the white plastic gear (callout 1) away from the chassis. Using a prying motion, press the ITB service tool toward the chassis to move the gear away from the ITB.

Figure 1-403 Remove the ITB (5 of 8)



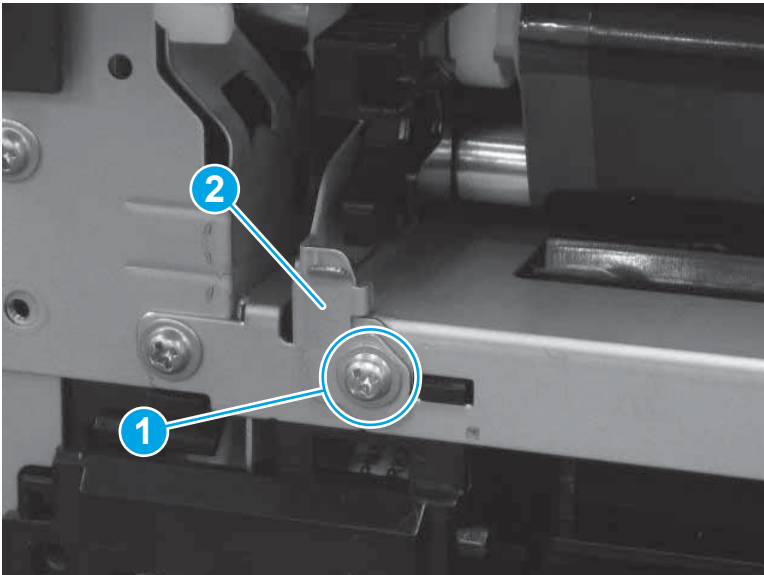
6. On the rear side of the printer, remove one screw (callout 1) on the right side of the ITB, and then flip up the holder (callout 2).

Figure 1-404 Remove the ITB (6 of 8)



7. Remove one screw (callout 1) on the left side of the ITB, and then flip up the holder (callout 2).

Figure 1-405 Remove the ITB (7 of 8)



- Using the two tabs (callout 1) that held the screws, pull the ITB assembly (callout 2) out towards you from the rear of the printer.


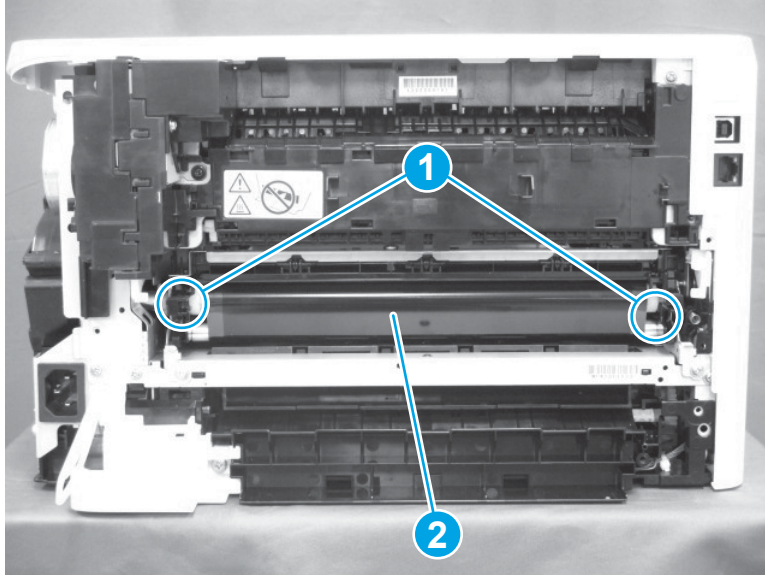
 **NOTE:** Depending on how much resistance you encounter when pulling the ITB, you might need to open or close the door to help the ITB move clear of some internal parts.

Figure 1-406 Remove the ITB (8 of 8)



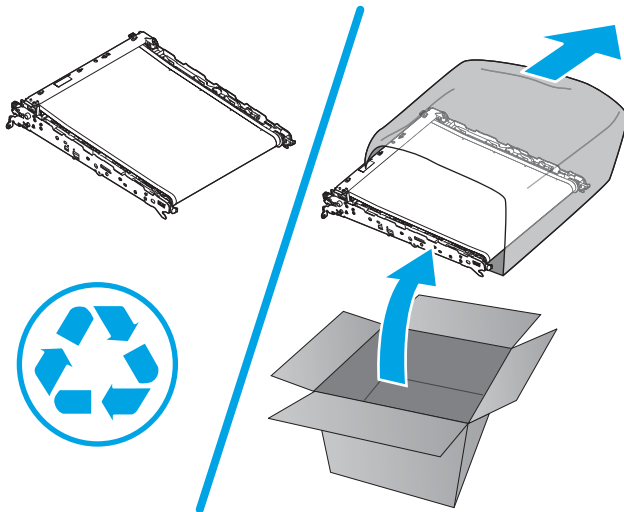
Step 7: Unpack a replacement ITB

Remove the new ITB from its package. Save all packaging for recycling the used part.

For complete information on HP's recycling programs, go to <http://www8.hp.com/us/en/hp-information/environment/product-recycling.html>.

 **NOTE:** HP recommends responsible disposal of the defective assembly.

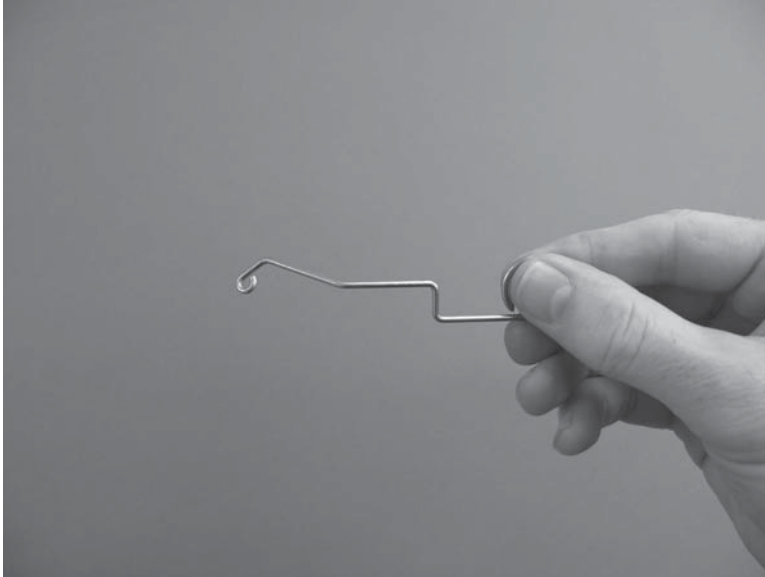
Figure 1-407 Recycle and unpack



Step 8: Install the ITB

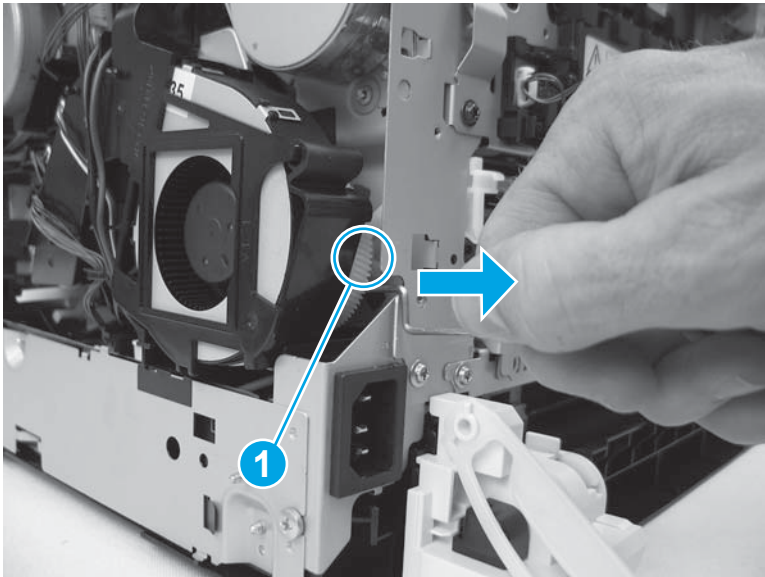
1. Find the ITB service tool and use the graphic below to see how to hold it correctly.

Figure 1-408 Install the ITB (1 of 8)



2. At the rear of the printer right side, position the ITB service tool to push the white plastic gear (callout 1) away from the chassis. Using a prying motion, press the ITB service tool toward the chassis to move the gear away from the chassis.

Figure 1-409 Install the ITB (2 of 8)



3. On the rear side of the printer, gently push the ITB assembly (callout 1) into the printer, holding the two tabs (callout 2) at either end of the ITB.


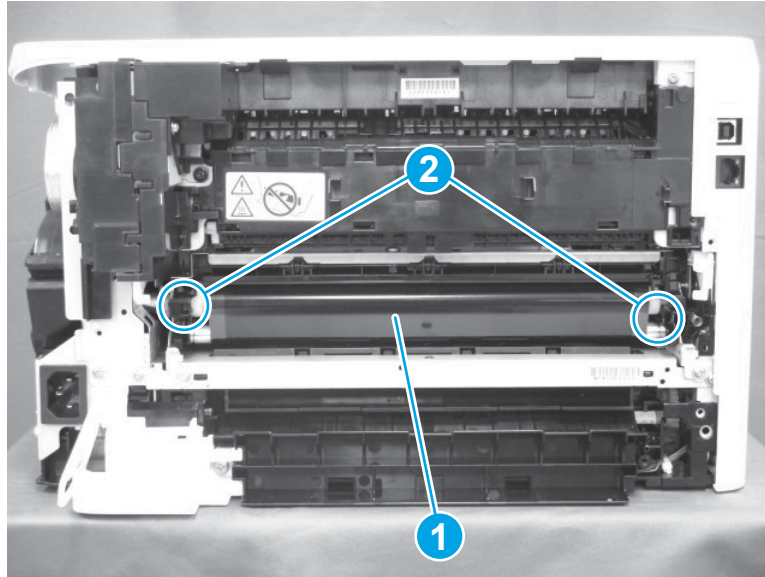
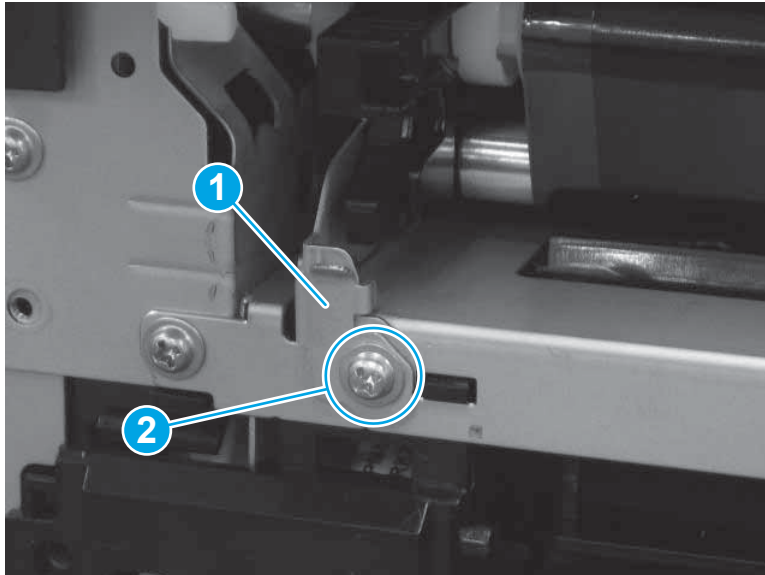
 **NOTE:** Depending on how much resistance you encounter when inserting the ITB, you might need to open or close the front door to help the ITB move clear of some internal parts.

Figure 1-410 Install the ITB (3 of 8)



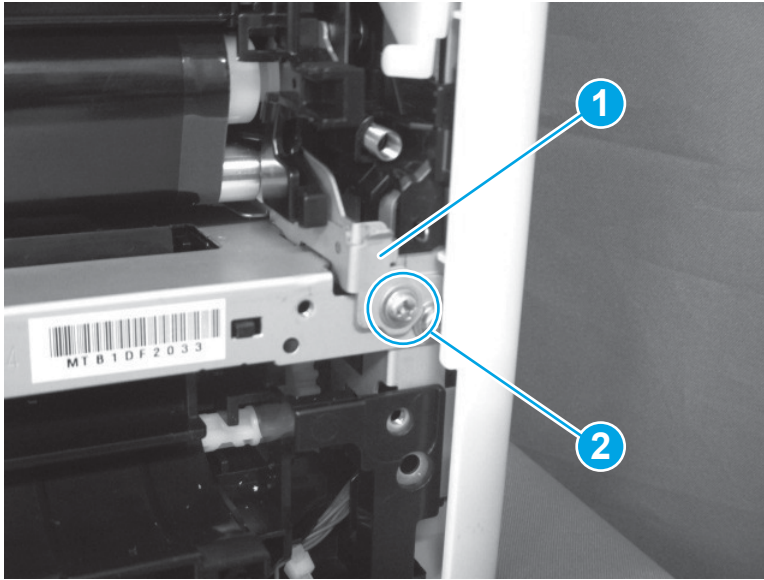
4. On the left side of the ITB, flip down the holder (callout 1), and then install one screw (callout 2).

Figure 1-411 Install the ITB (4 of 8)



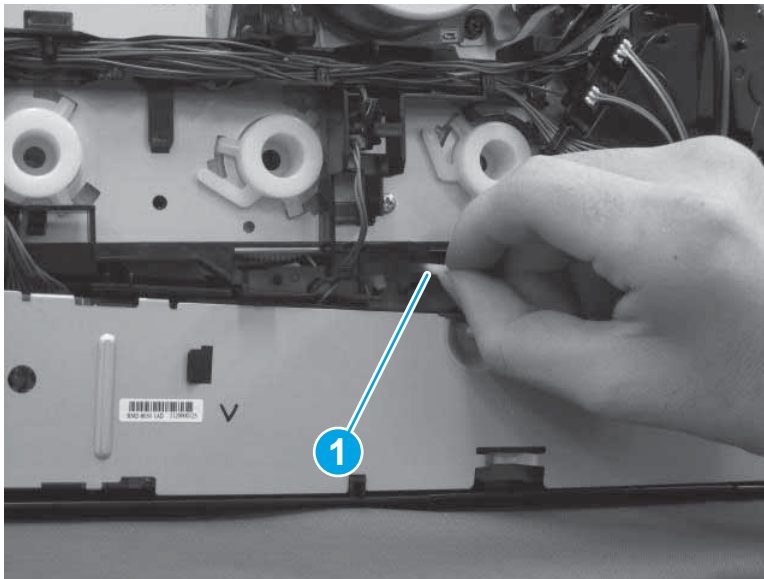
5. Flip down the holder (callout 1), and then install one screw (callout 2) on the right side of the ITB.

Figure 1-412 Install the ITB (5 of 8)



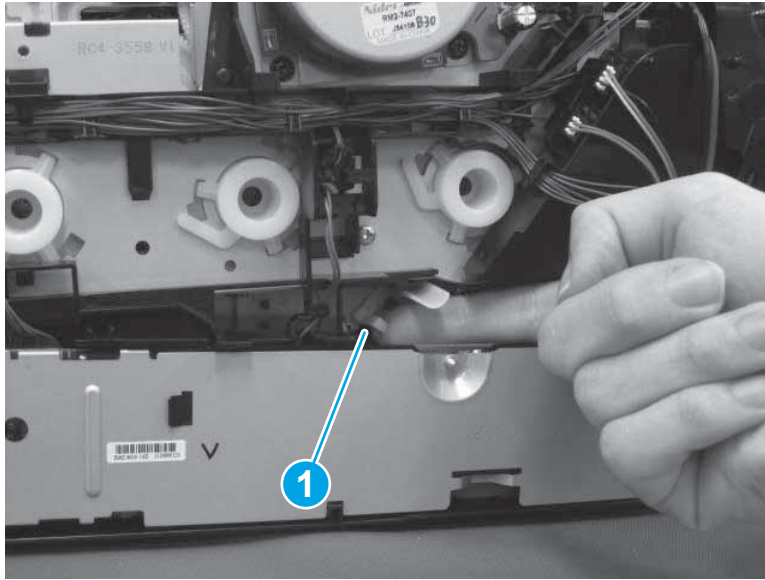
6. Push the white plastic shaft (callout 1) into the chassis to engage it.

Figure 1-413 Install the ITB (6 of 8)



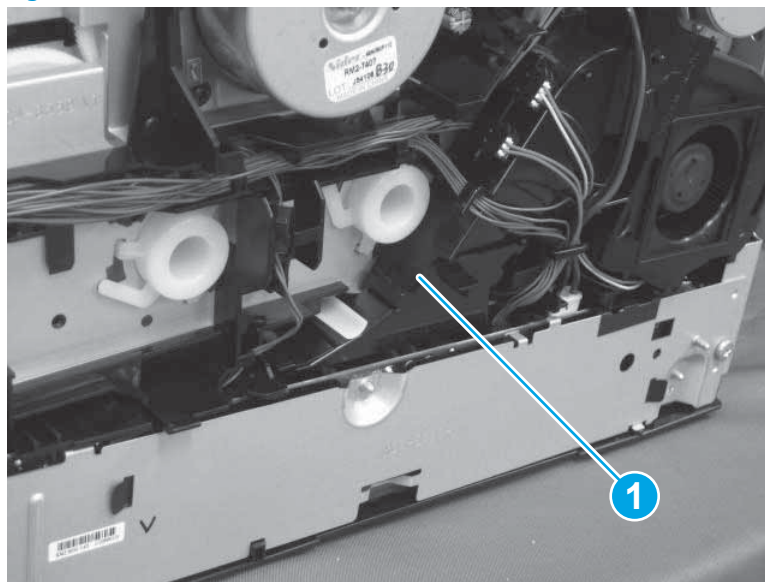
7. Engage the white plastic tab (callout 1) by rotating it toward the back of the printer.

Figure 1-414 Install the ITB (7 of 8)



8. On the right side of the printer, install the fan duct cover (callout 1).

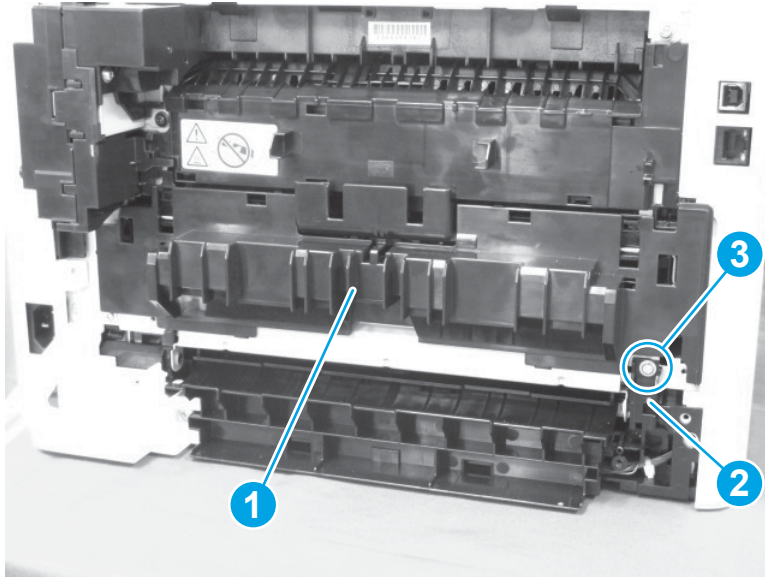
Figure 1-415 Install the ITB (8 of 8)



Step 9: Install the rear door assembly

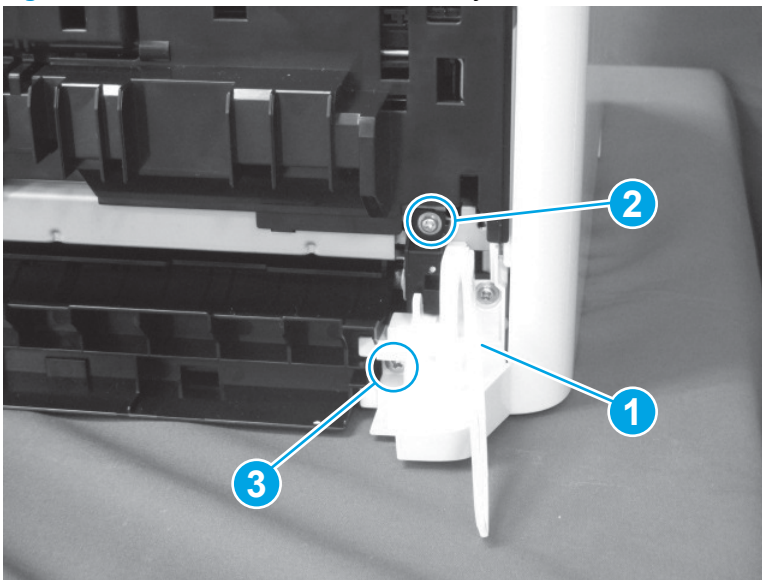
1. On the rear side of the printer, set the assembly (callout 1) in place on the chassis, set the holder (callout 2) in place, and then install one screw (callout 3).

Figure 1-416 Install the rear door assembly (1 of 2)



2. Set the holder (callout 1) in place, install one screw (callout 2), and then install one M4 tapping screw (callout 3).

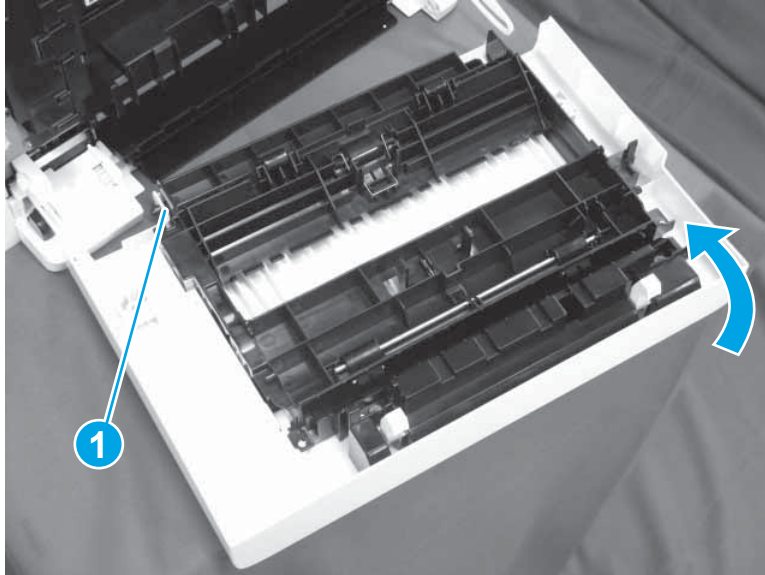
Figure 1-417 Install the rear door assembly (2 of 2)



Step 10: Install the duplexer door assembly (duplex models)

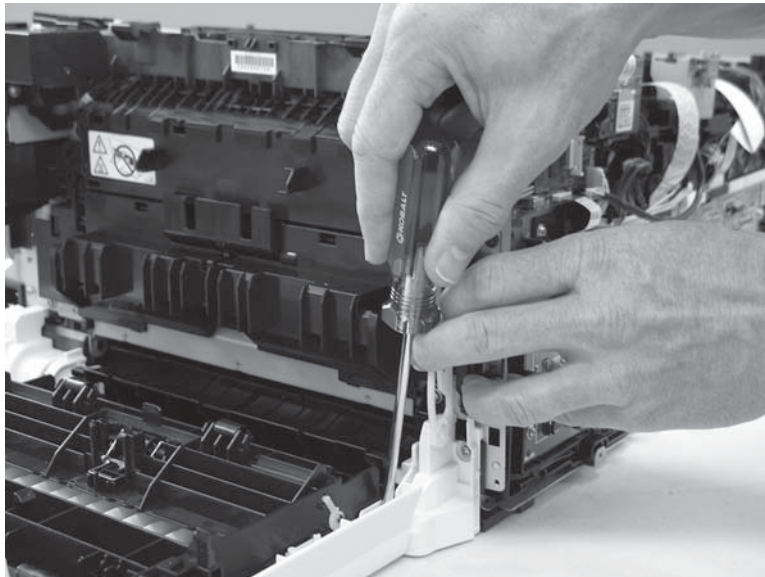
1. Insert the left shaft (callout 1) at the bottom of the door into the chassis, and then move the other side of the door into position.

Figure 1-418 Install the duplexer door (1 of 3)



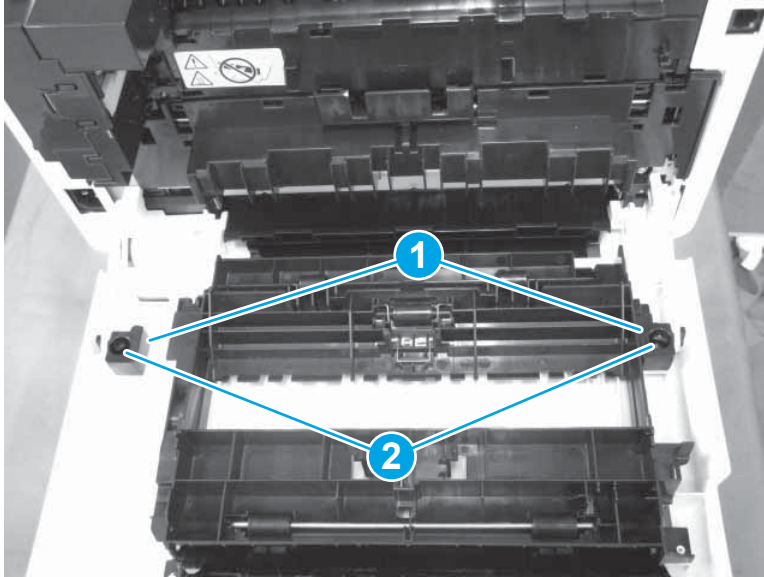
2. Use a small flat-blade screwdriver to insert the shaft on the right side of the door into the chassis.

Figure 1-419 Install the duplexer door (2 of 3)



3. At the bottom of the duplexer door, engage the two holders (callout 1), and then install two M4 tapping screws (callout 2).

Figure 1-420 Install the duplexer door (3 of 3)



Step 11: Close the front door and rear door or duplexer door

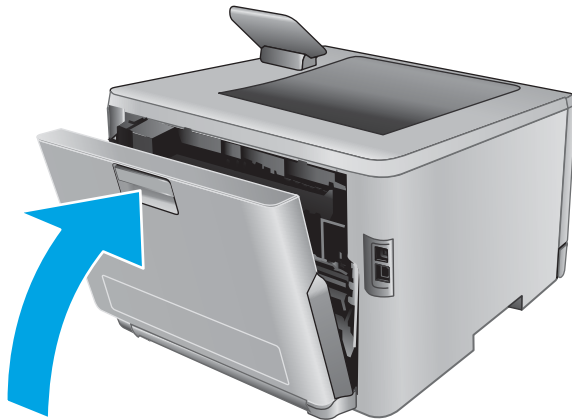
1. Close the front door.

Figure 1-421 Close the front door and rear door or duplexer door (1 of 2)



2. Close the rear door (simplex models) or duplexer door (duplex models).

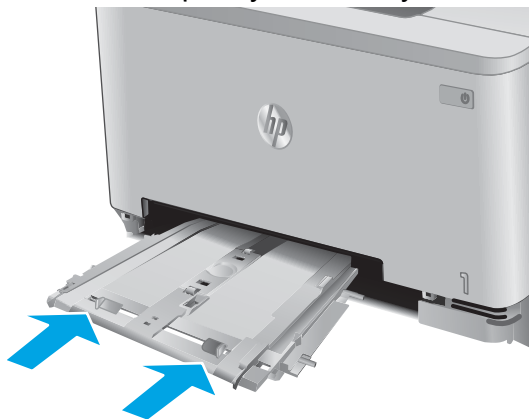
Figure 1-422 Close the front door and rear door or duplexer door (2 of 2)



Step 12: Install the priority feed slot tray

- ▲ Gently push the single-sheet priority feed slot tray into the feed slot.

Figure 1-423 Install the priority feed slot tray



Step 13: Install Tray 2

- ▲ Align Tray 2 with the tray cavity, and then push the tray into the printer.

Figure 1-424 Install Tray 2



Removal and replacement: Pickup guide assembly


- [Introduction](#)
- [Step 1: Remove Tray 2](#)
- [Step 2: Remove the priority feed slot tray](#)
- [Step 3: Open the front door and rear door or duplexer door](#)
- [Step 4: Remove the duplexer door assembly \(duplex models\)](#)
- [Step 5: Remove the rear door assembly](#)
- [Step 6: Remove the pickup guide assembly](#)
- [Step 7: Unpack a replacement pickup guide assembly](#)
- [Step 8: Install the pickup guide assembly](#)
- [Step 9: Install the rear door assembly](#)
- [Step 10: Install the duplexer door assembly \(duplex models\)](#)
- [Step 11: Close the front door and rear door or duplexer door](#)
- [Step 12: Install the priority feed slot tray](#)
- [Step 13: Install Tray 2](#)

Introduction

This document provides the procedures to remove and replace the pickup guide assembly.

Before you begin

- Turn off the printer.
- Disconnect the power cable.

 **WARNING!** To avoid damage to the printer, turn the printer off, wait 30 seconds, and then remove the power cord before attempting to service the printer.

- Use the table below to identify the correct part number for your printer. To order the part, go to www.hp.com/buy/parts.

Pickup guide assembly part number	
-----------------------------------	--

RM2-5578-000CN	Pickup guide assembly
----------------	-----------------------

Required tools

- #2 Phillips screwdriver with a magnetic tip

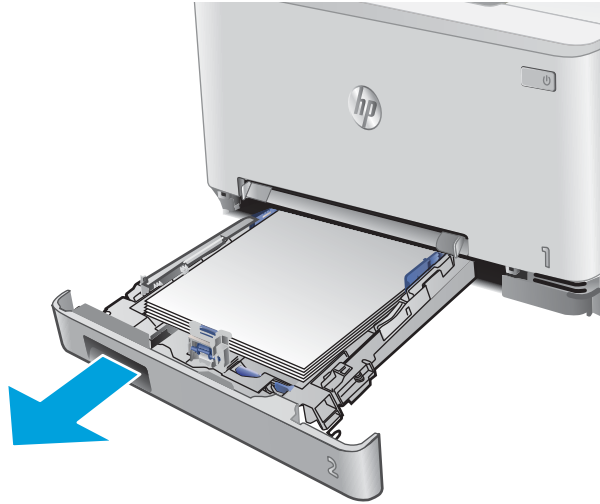
After performing service

- Connect the power cable.
- Use the power switch to turn the power on.

Step 1: Remove Tray 2

- ▲ Using the handle on the face of Tray 2, pull the tray completely out of the printer.

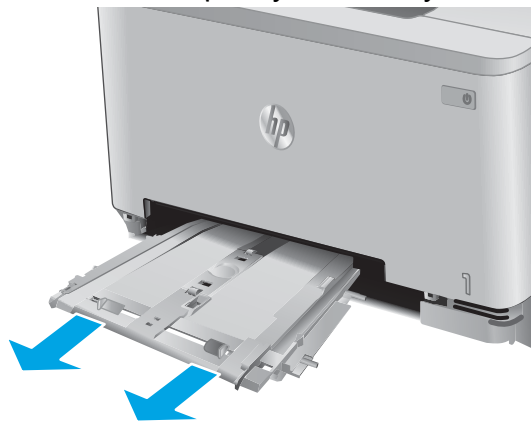
Figure 1-425 Remove Tray 2



Step 2: Remove the priority feed slot tray

- ▲ At the front of the printer, gently push down on the single-sheet priority feed slot tray, and then pull out the feed slot tray.

Figure 1-426 Remove the priority feed slot tray



Step 3: Open the front door and rear door or duplexer door

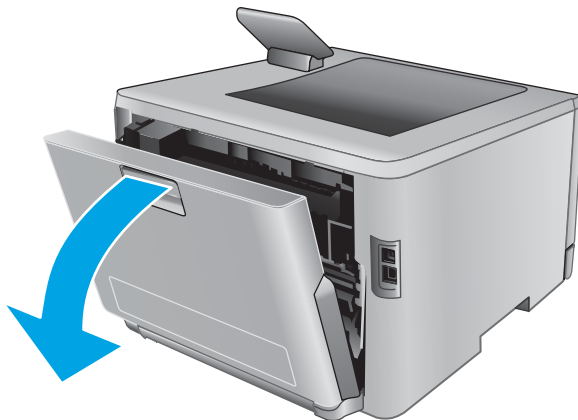
1. Open the front door.

Figure 1-427 Open the front door and rear door or duplexer door (1 of 2)



2. Use the latch release to open the rear door (simplex models) or duplexer door (duplex models).

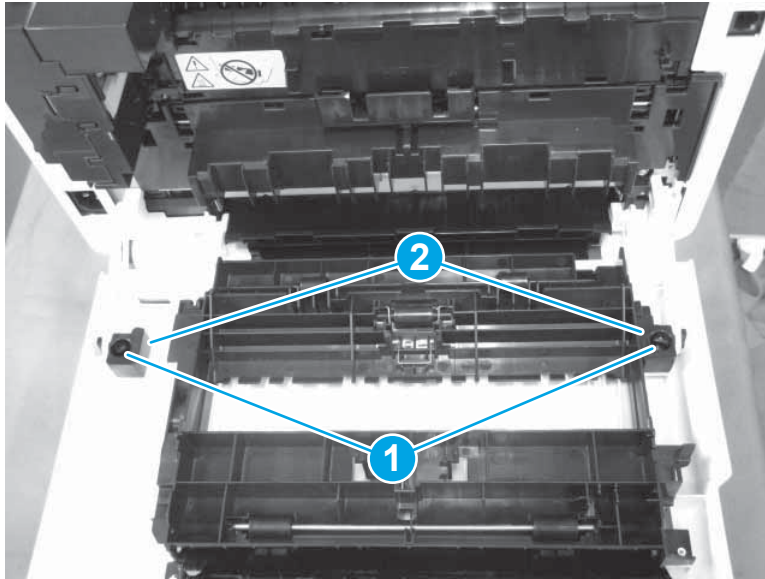
Figure 1-428 Open the front door and rear door or duplexer door (2 of 2)



Step 4: Remove the duplexer door assembly (duplex models)

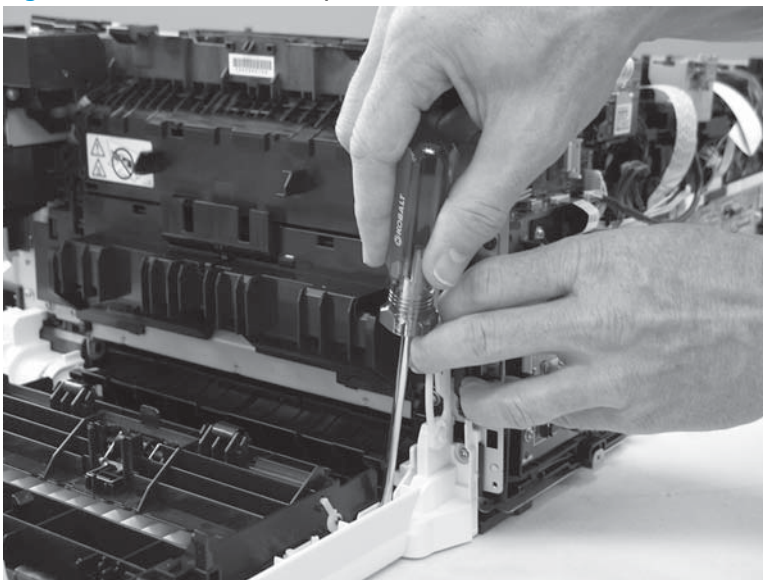
1. At the rear of the printer, at the bottom of the duplexer door, remove two larger M4 tapping screws (callout 1), and then remove the two holders (callout 2) from the door.

Figure 1-429 Remove the duplexer door (1 of 3)



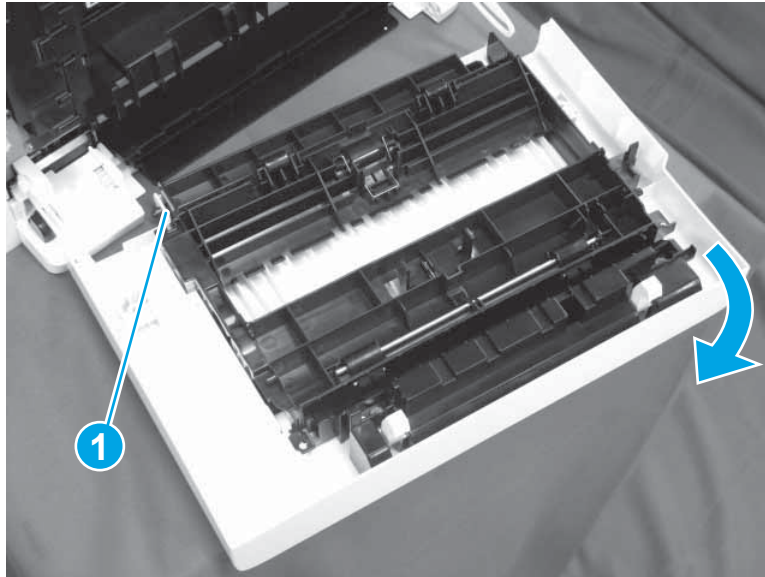
2. Use a small flat-blade screwdriver to unsnap the shaft, then rotate the shaft towards the front of the printer and slide it out of its mating pocket, releasing the shaft on the right side of the door.

Figure 1-430 Remove the duplexer door (2 of 3)



3. With the right shaft released, pull the right side of the door away from the chassis and then release the left shaft (callout 1) from the chassis.

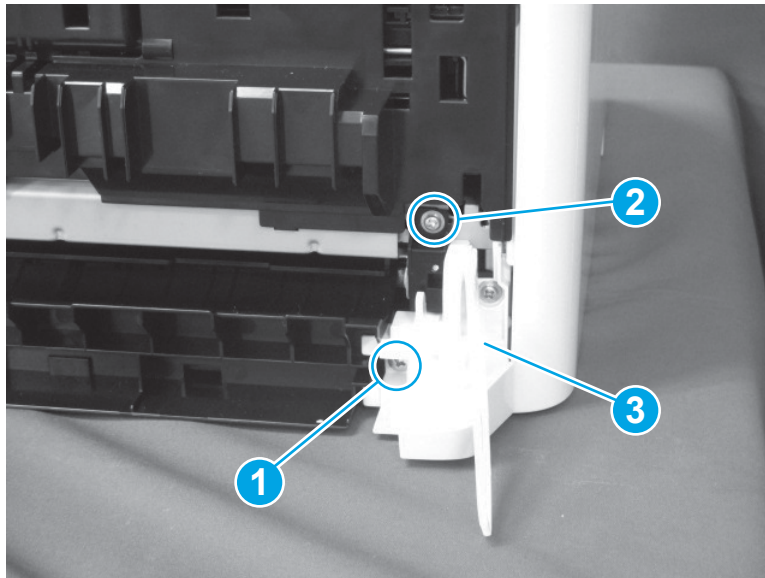
Figure 1-431 Remove the duplexer door (3 of 3)



Step 5: Remove the rear door assembly

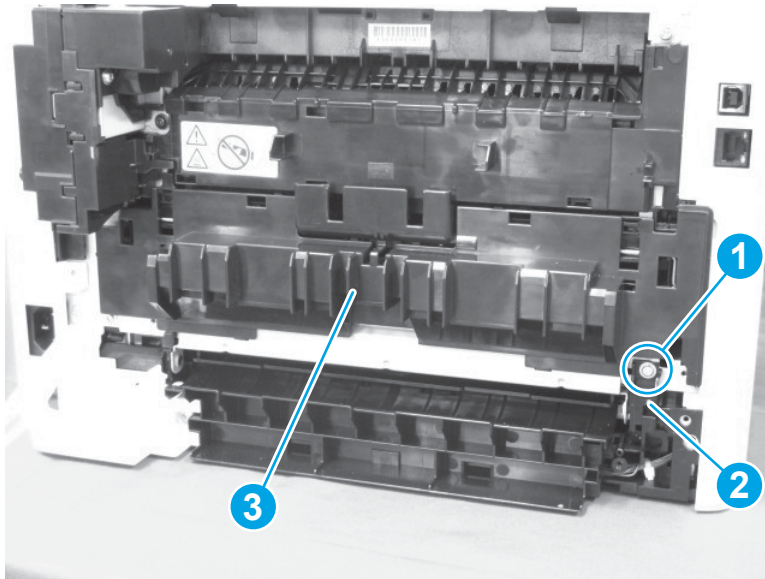
1. On the rear side of the printer, remove one M4 tapping screw (callout 1), remove one other screw (callout 2), and then remove the holder (callout 3).

Figure 1-432 Remove the rear door assembly (1 of 2)



2. Remove one screw (callout 1), remove the holder (callout 2), and then remove the assembly (callout 3) from the printer.

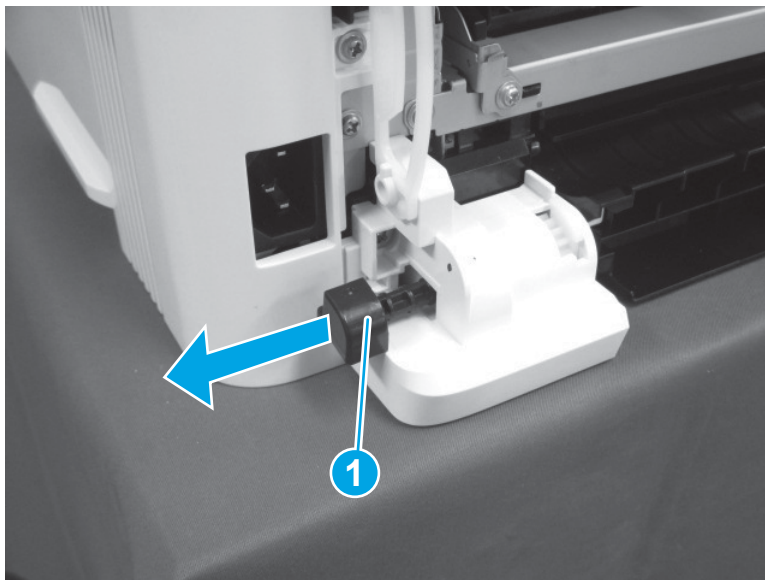
Figure 1-433 Remove the rear door assembly (2 of 2)



Step 6: Remove the pickup guide assembly

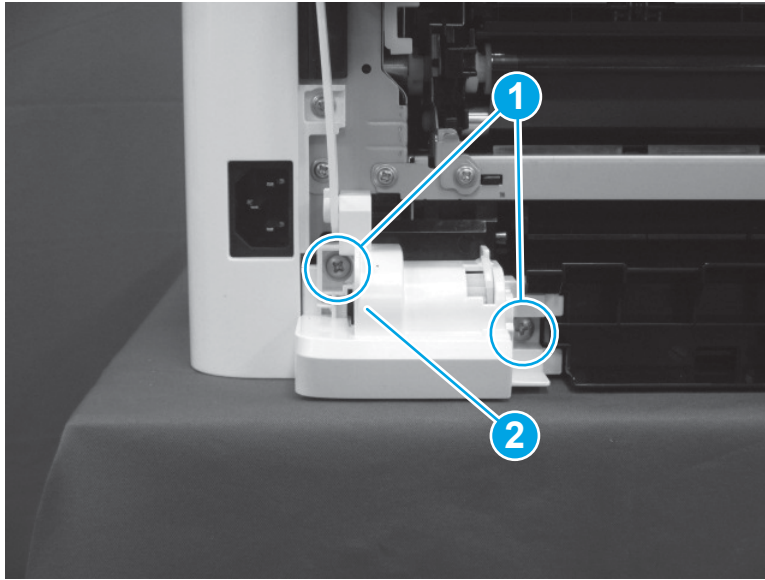
1. On the rear side of the printer, release and remove the shaft (callout 1) from the duplex gear assembly.

Figure 1-434 Remove the pickup guide (1 of 6)



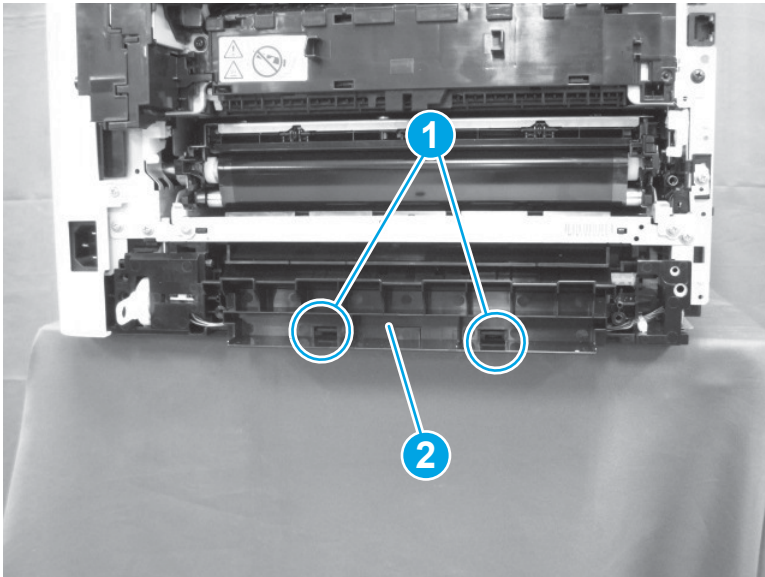
2. Remove two screws (callout 1), and then remove the duplex gear assembly (callout 2).

Figure 1-435 Remove the pickup guide (2 of 6)



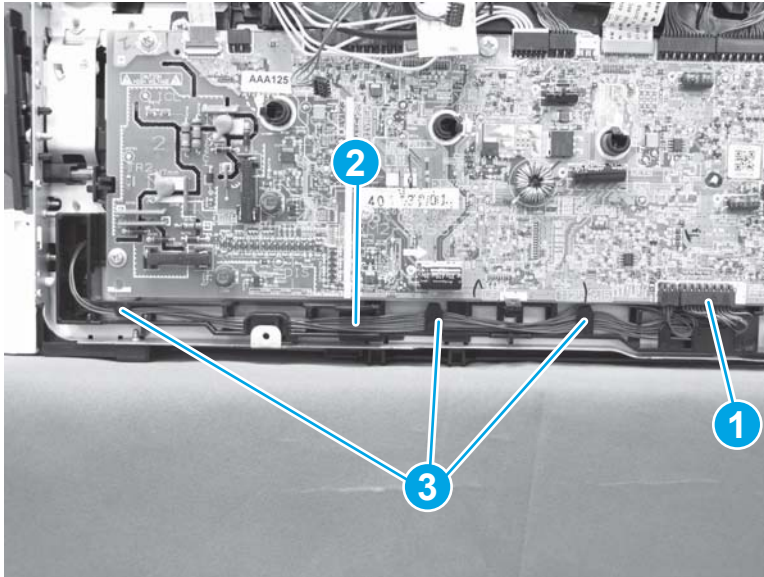
3. Lift the rear side of the printer slightly, and then release two tabs (callout 1) to remove the black plastic guide (callout 2) at the bottom of the unit.

Figure 1-436 Remove the pickup guide (3 of 6)



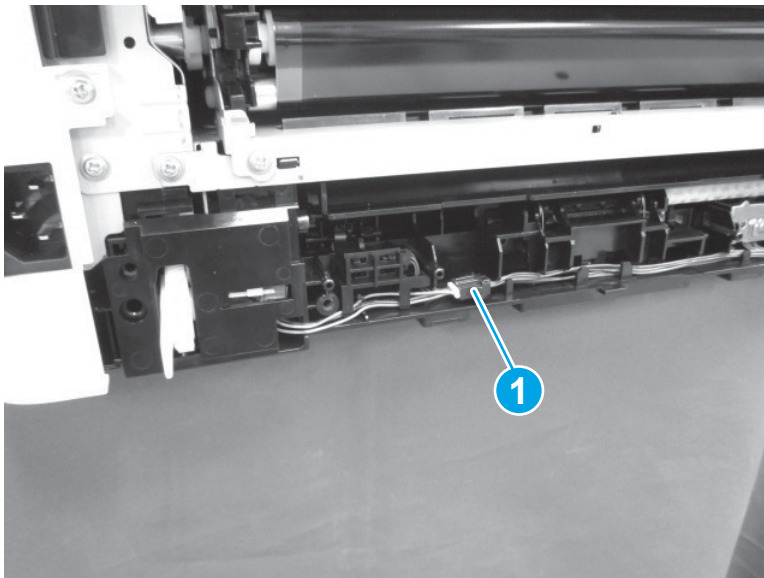
4. On the left side of the printer, disconnect one connector (callout 1) on the engine controller unit, and then unroute the cables (callout 2) from the cable guides (callout 3).

Figure 1-437 Remove the pickup guide (4 of 6)



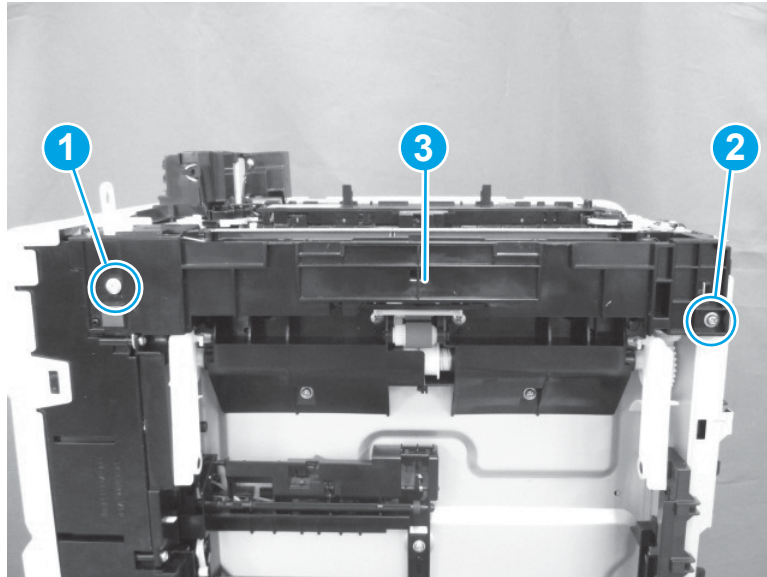
5. Place the printer rear side up, so that it is resting on the closed front door, and then, on the underside of the printer, disconnect one connector (callout 1).

Figure 1-438 Remove the pickup guide (5 of 6)



6. Remove an M4 tapping screw (callout 1), remove one other screw (callout 2), and then remove the paper guide assembly (callout 3).

Figure 1-439 Remove the pickup guide (6 of 6)



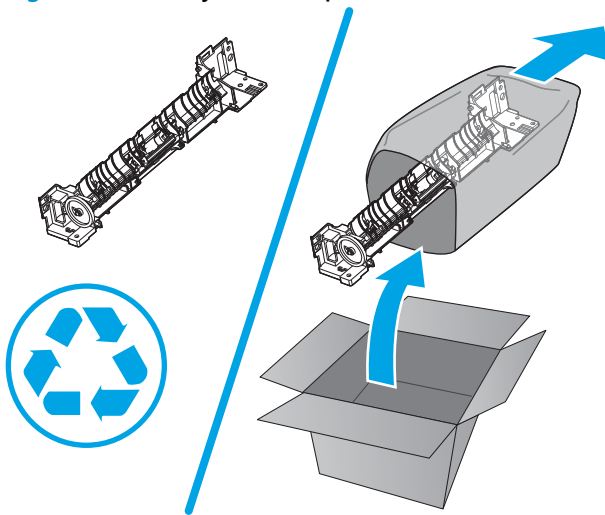
Step 7: Unpack a replacement pickup guide assembly

Remove the new pickup guide assembly from its package. Save all packaging for recycling the used part.

For complete information on HP's recycling programs, go to <http://www8.hp.com/us/en/hp-information/environment/product-recycling.html>.

 **NOTE:** HP recommends responsible disposal of the defective assembly.

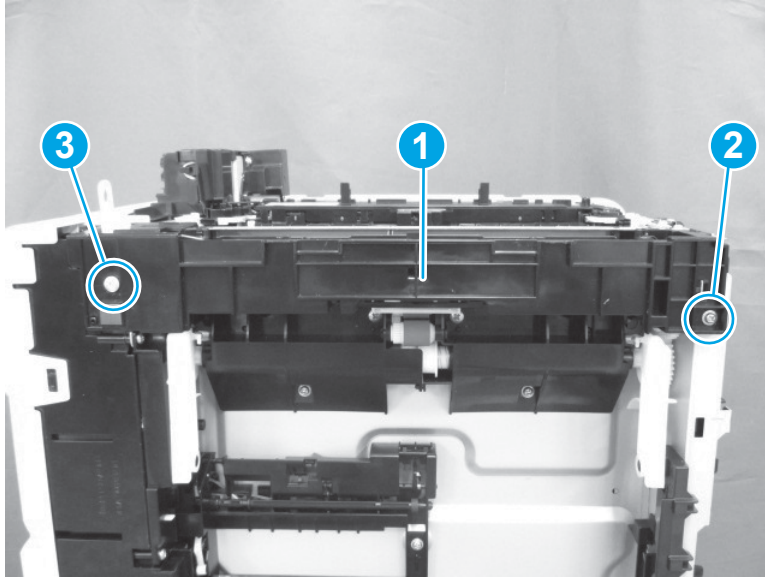
Figure 1-440 Recycle and unpack



Step 8: Install the pickup guide assembly

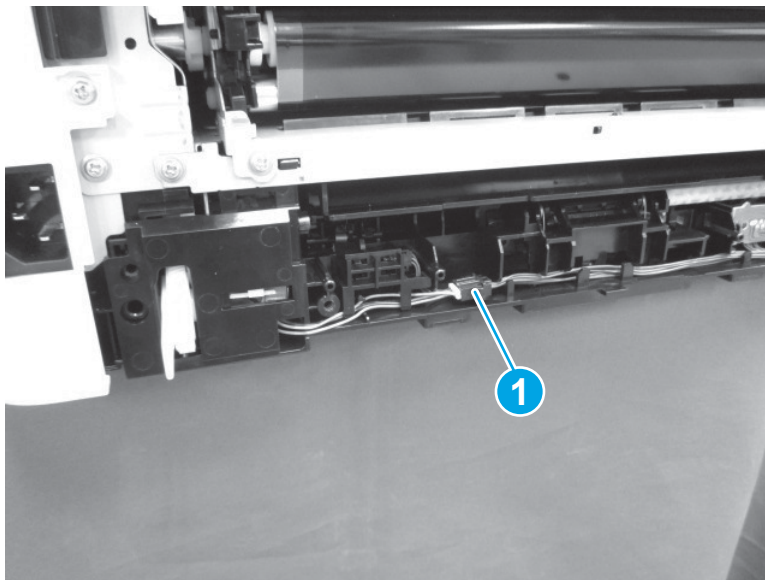
1. Set the printer rear side up, so that it is resting on the closed front door. On the underside of the printer, set the pickup guide assembly (callout 1) in place, install one screw (callout 2), and then install one M4 tapping screw (callout 3).

Figure 1-441 Install the pickup guide (1 of 6)



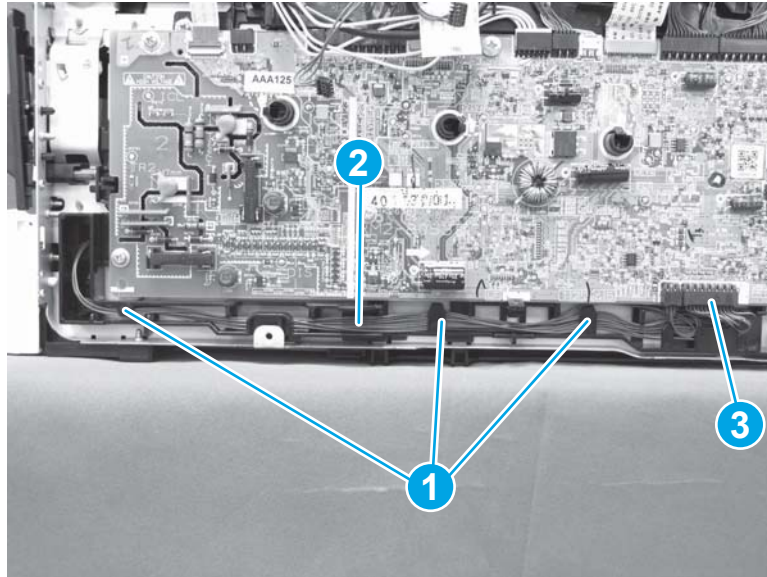
2. Set the printer so that it is resting on its underside. At the bottom of the rear side, connect one connector (callout 1).

Figure 1-442 Remove the pickup guide (2 of 6)



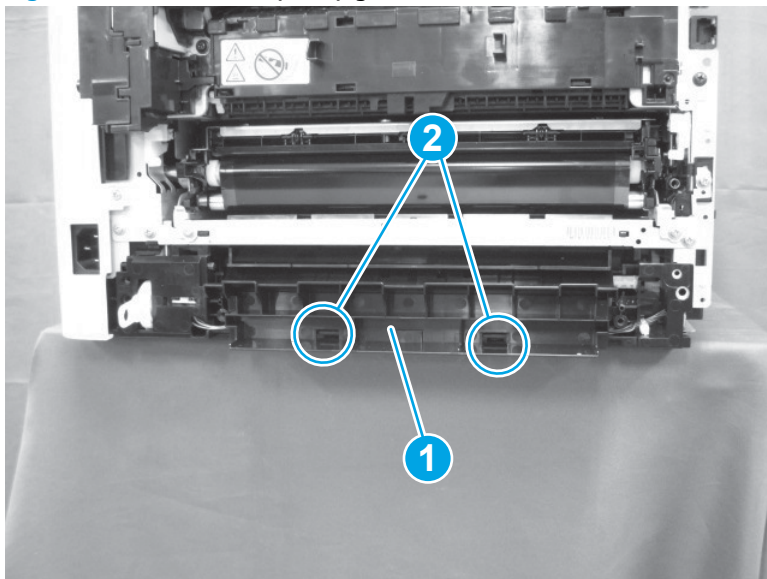
3. On the left side of the printer, route the cables (callout 1) in the cable guides (callout 2), and then connect one connector (callout 3) on the engine controller unit.

Figure 1-443 Install the pickup guide (3 of 6)



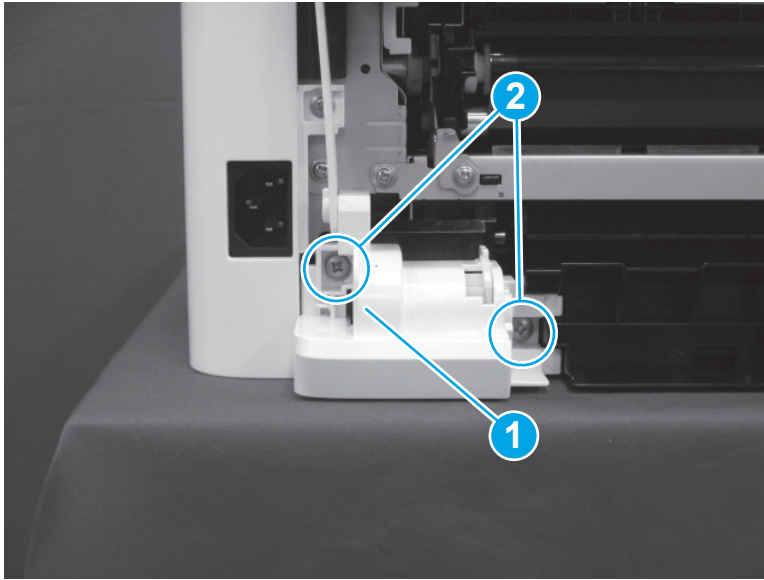
4. Lift the rear side of the printer slightly, set the black plastic guide (callout 2) in place, and then engage two tabs (callout 2) to affix guide to the bottom of the printer.

Figure 1-444 Install the pickup guide (4 of 6)



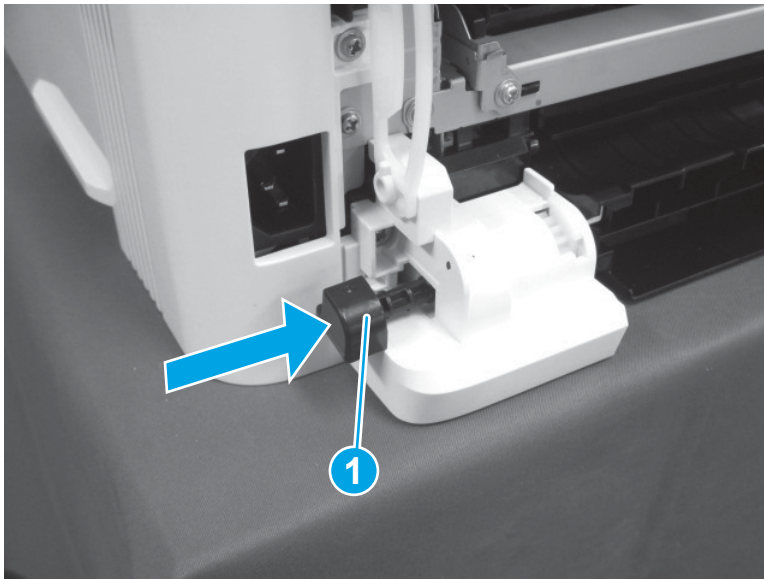
5. Set the duplex gear assembly (callout 1) in place, and then install two screws (callout 2).

Figure 1-445 Install the pickup guide (5 of 6)



6. Insert the shaft (callout 1) into the duplex gear assembly.

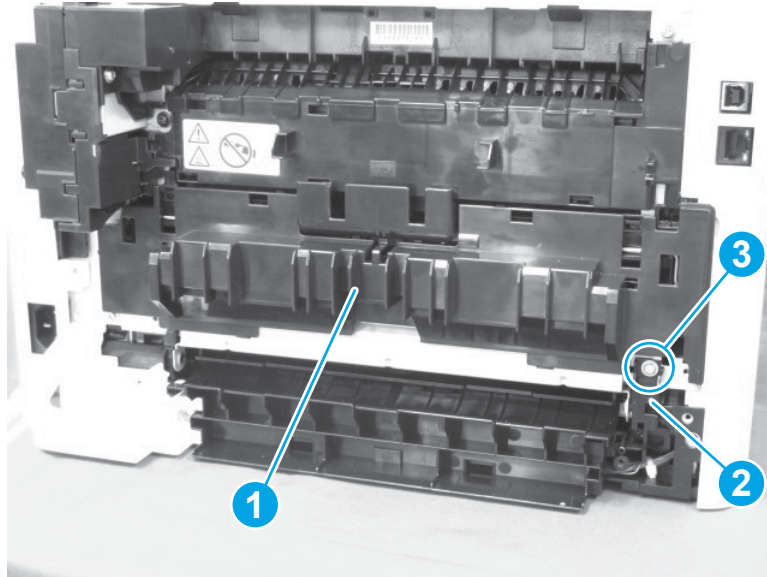
Figure 1-446 Install the pickup guide (6 of 6)



Step 9: Install the rear door assembly

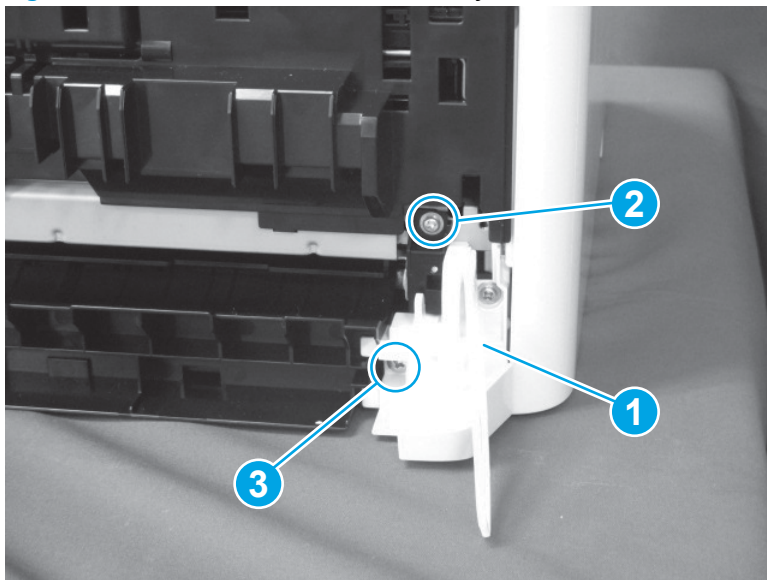
1. On the rear side of the printer, set the assembly (callout 1) in place on the chassis, set the holder (callout 2) in place, and then install one screw (callout 3).

Figure 1-447 Install the rear door assembly (1 of 2)



2. Set the holder (callout 1) in place, install one screw (callout 2), and then install one M4 tapping screw (callout 3).

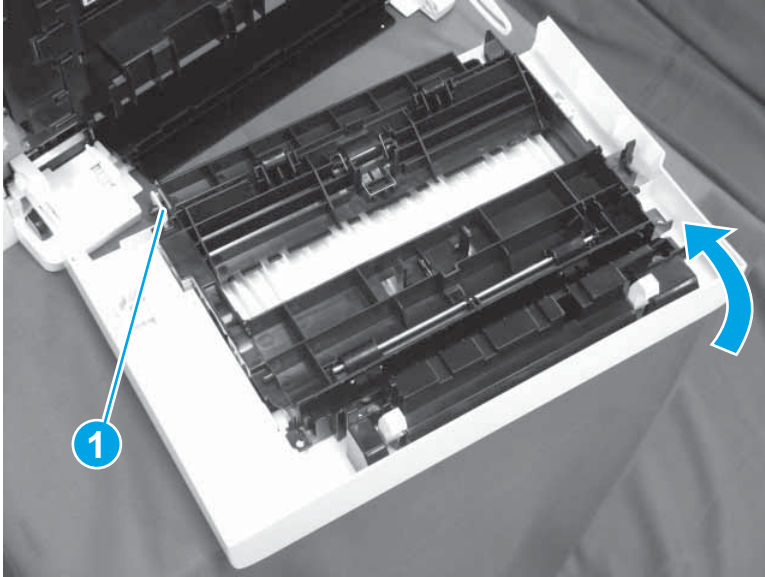
Figure 1-448 Install the rear door assembly (2 of 2)



Step 10: Install the duplexer door assembly (duplex models)

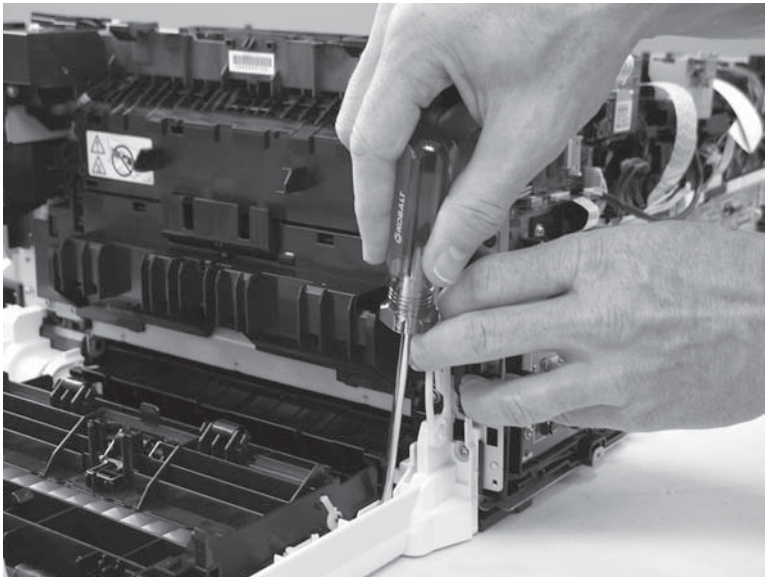
1. Insert the left shaft (callout 1) at the bottom of the door into the chassis, and then move the other side of the door into position.

Figure 1-449 Install the duplexer door (1 of 3)



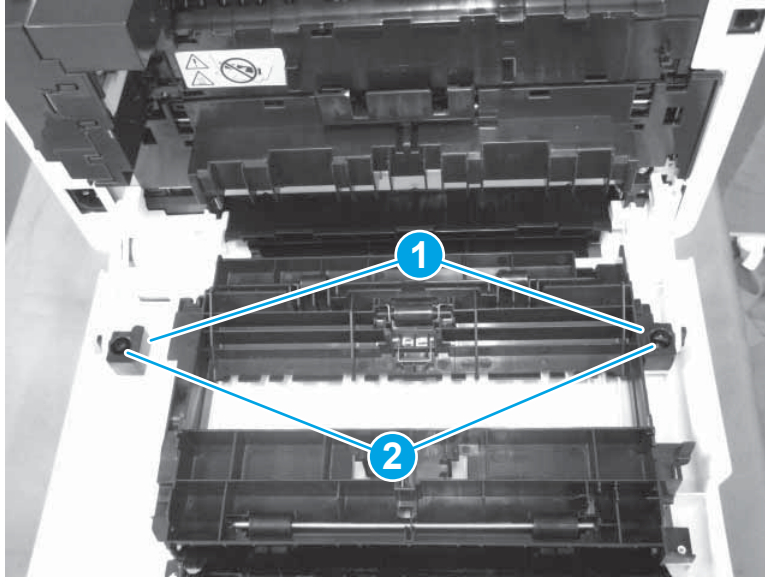
2. Use a small flat-blade screwdriver to insert the shaft on the right side of the door into the chassis.

Figure 1-450 Install the duplexer door (2 of 3)



3. At the bottom of the duplexer door, engage the two holders (callout 1), and then install two M4 tapping screws (callout 2).

Figure 1-451 Install the duplexer door (3 of 3)



Step 11: Close the front door and rear door or duplexer door

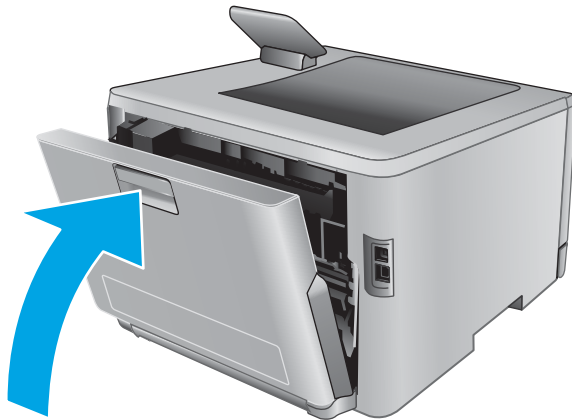
1. Close the front door.

Figure 1-452 Close the front door and rear door or duplexer door (1 of 2)



2. Close the rear door (simplex models) or duplexer door (duplex models).

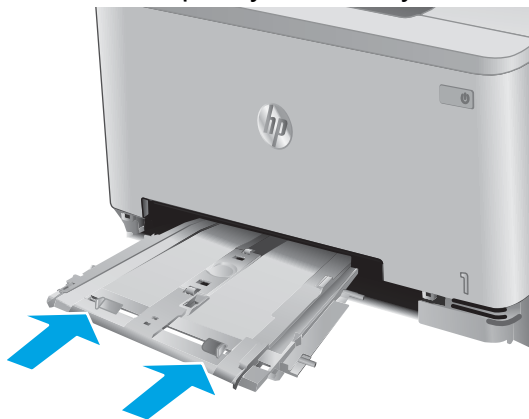
Figure 1-453 Close the front door and rear door or duplexer door (2 of 2)



Step 12: Install the priority feed slot tray

- ▲ Gently push the single-sheet priority feed slot tray into the feed slot.

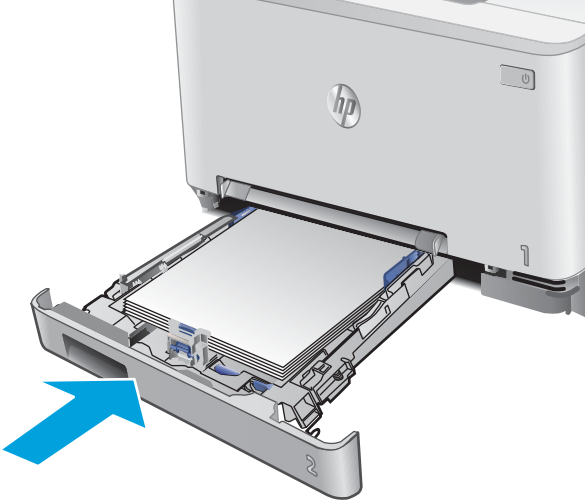
Figure 1-454 Install the priority feed slot tray



Step 13: Install Tray 2

- ▲ Align Tray 2 with the tray cavity, and then push the tray into the printer.

Figure 1-455 Install Tray 2



Removal and replacement: Registration density sensor assembly


- [Introduction](#)
- [Step 1: Remove Tray 2](#)
- [Step 2: Remove the priority feed slot tray](#)
- [Step 3: Open the front door and rear door or duplexer door](#)
- [Step 4: Remove the duplexer door assembly \(duplex models\)](#)
- [Step 5: Remove the rear door assembly](#)
- [Step 6: Remove the ITB](#)
- [Step 7: Remove the registration density sensor](#)
- [Step 8: Unpack a replacement registration density sensor assembly](#)
- [Step 9: Remove the registration density sensor](#)
- [Step 10: Install the ITB](#)
- [Step 11: Install the rear door assembly](#)
- [Step 12: Install the duplexer door assembly \(duplex models\)](#)
- [Step 13: Close the front door and rear door or duplexer door](#)
- [Step 14: Install the priority feed slot tray](#)
- [Step 15: Install Tray 2](#)

Introduction

This document provides the procedures to remove and replace the registration density sensor assembly.

Before you begin

- Turn off the printer.
- Disconnect the power cable.

 **WARNING!** To avoid damage to the printer, turn the printer off, wait 30 seconds, and then remove the power cord before attempting to service the printer.

- Use the table below to identify the correct part number for your printer. To order the part, go to www.hp.com/buy/parts.

Registration density assembly part number	
RM2-5874-000CN	Registration density assembly

Required tools

- #2 Phillips screwdriver with a magnetic tip

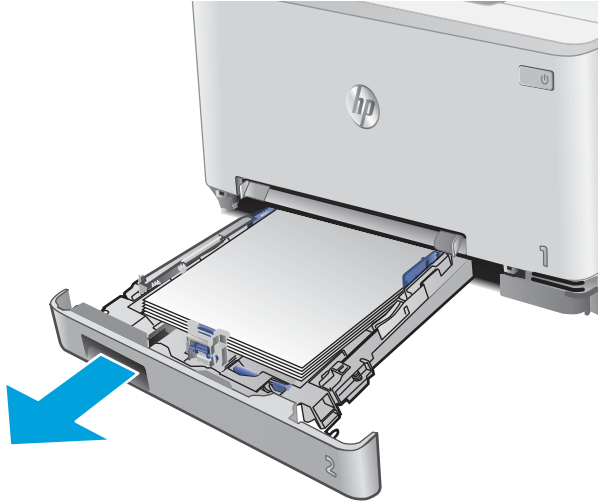
After performing service

- Connect the power cable.
- Use the power switch to turn the power on.

Step 1: Remove Tray 2

- ▲ Using the handle on the face of Tray 2, pull the tray completely out of the printer.

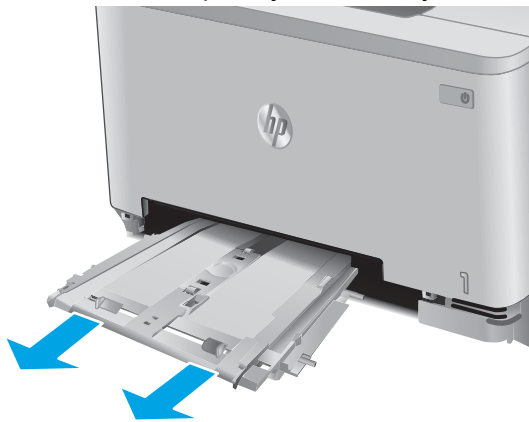
Figure 1-456 Remove Tray 2



Step 2: Remove the priority feed slot tray

- ▲ At the front of the printer, gently push down on the single-sheet priority feed slot tray, and then pull out the feed slot tray.

Figure 1-457 Remove the priority feed slot tray



Step 3: Open the front door and rear door or duplexer door

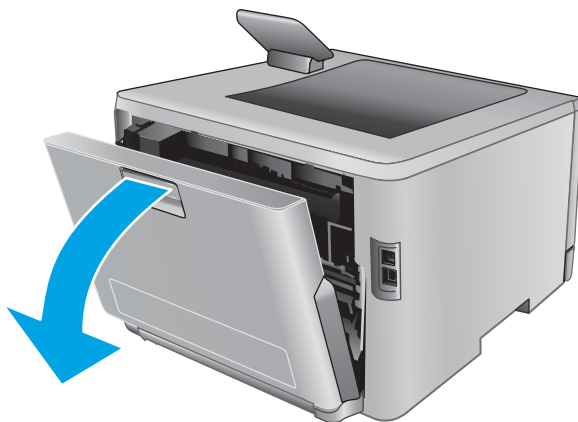
1. Open the front door.

Figure 1-458 Open the front door and rear door or duplexer door (1 of 2)



2. Use the latch release to open the rear door (simplex models) or duplexer door (duplex models).

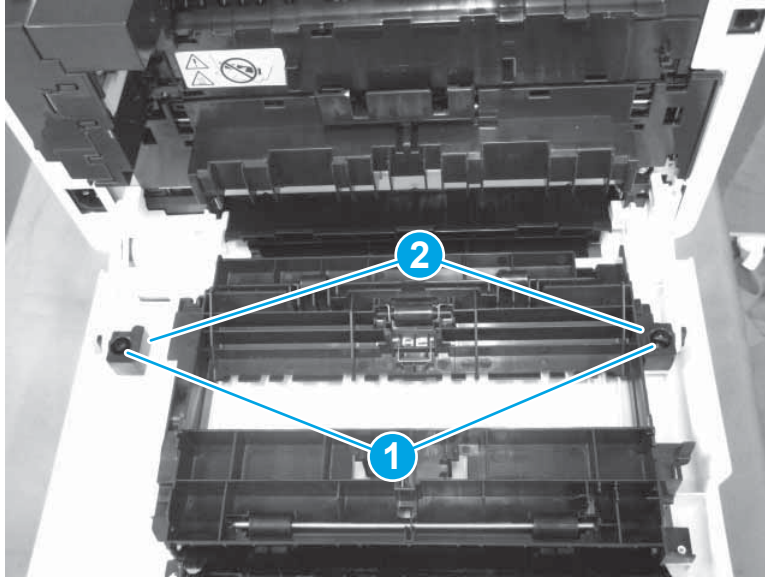
Figure 1-459 Open the front door and rear door or duplexer door (2 of 2)



Step 4: Remove the duplexer door assembly (duplex models)

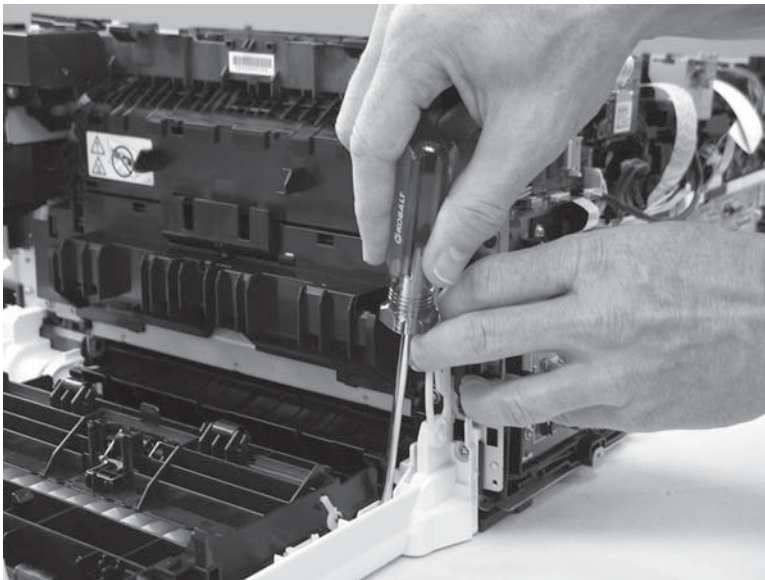
1. At the rear of the printer, at the bottom of the duplexer door, remove two larger M4 tapping screws (callout 1), and then remove the two holders (callout 2) from the door.

Figure 1-460 Remove the duplexer door (1 of 3)



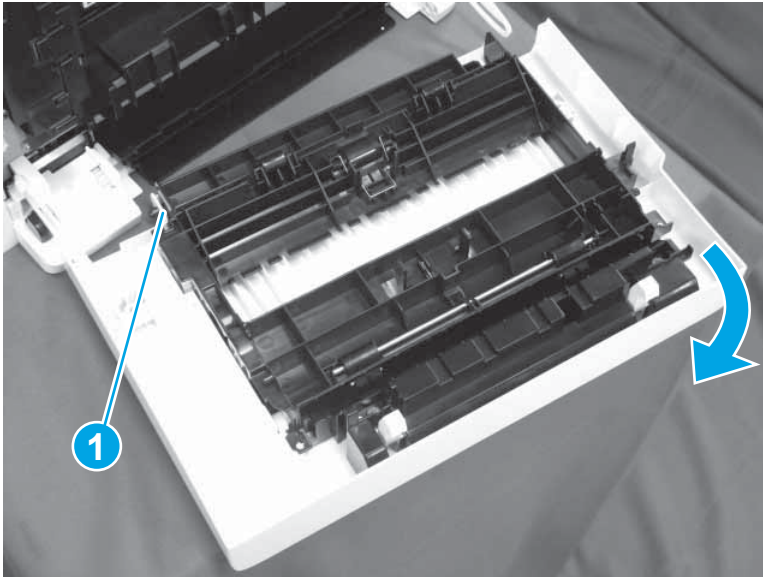
2. Use a small flat-blade screwdriver to unsnap the shaft, then rotate the shaft towards the front of the printer and slide it out of its mating pocket, releasing the shaft on the right side of the door.

Figure 1-461 Remove the duplexer door (2 of 3)



3. With the right shaft released, pull the right side of the door away from the chassis and then release the left shaft (callout 1) from the chassis.

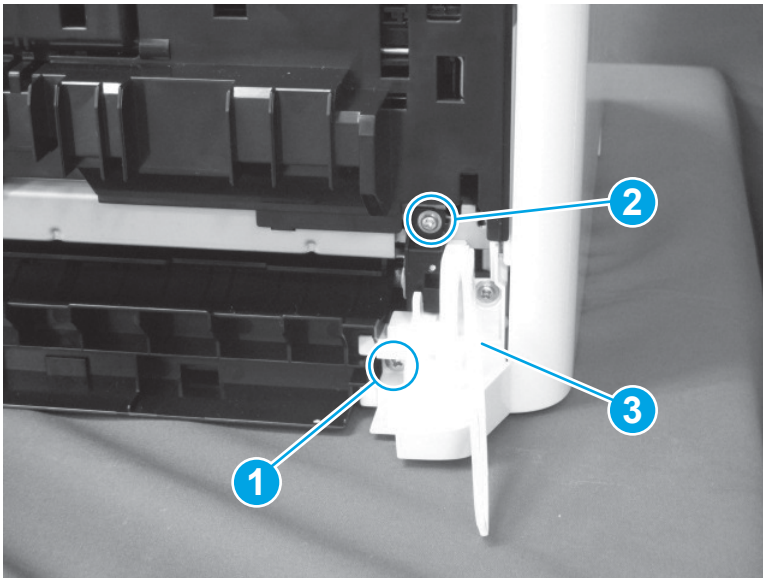
Figure 1-462 Remove the duplexer door (3 of 3)



Step 5: Remove the rear door assembly

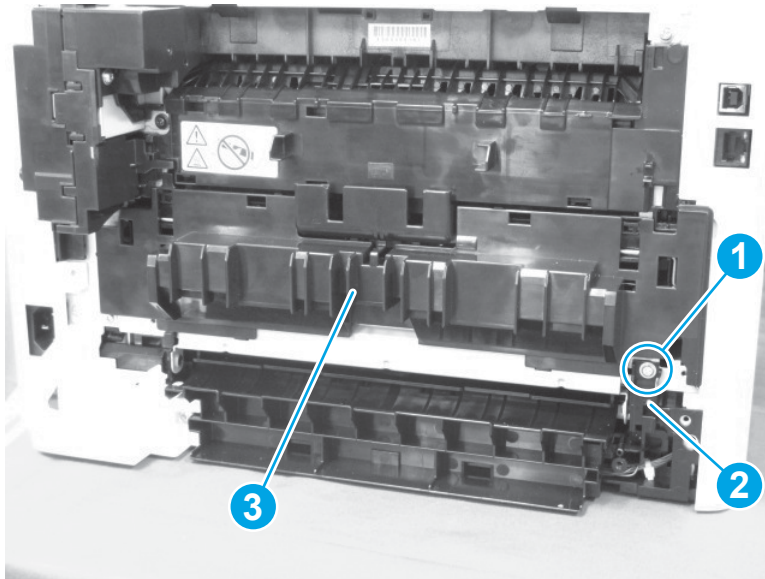
1. On the rear side of the printer, remove one M4 tapping screw (callout 1), remove one other screw (callout 2), and then remove the holder (callout 3).

Figure 1-463 Remove the rear door assembly (1 of 2)



2. Remove one screw (callout 1), remove the holder (callout 2), and then remove the assembly (callout 3) from the printer.

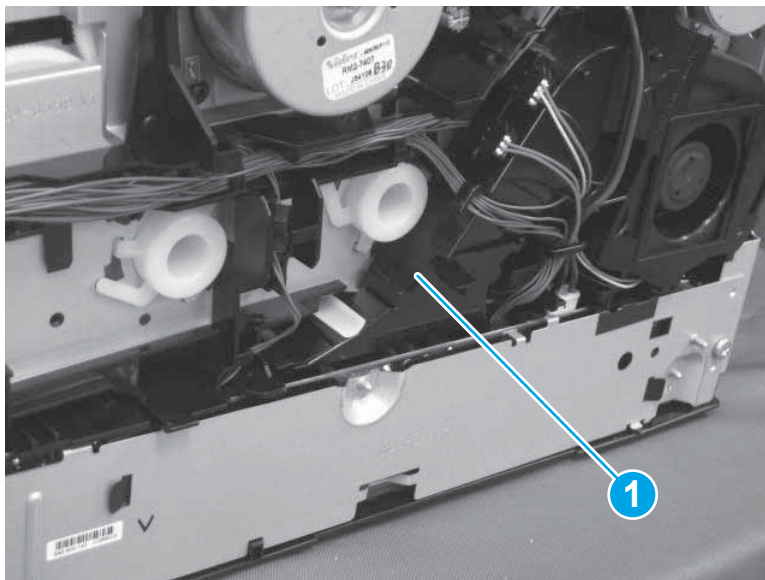
Figure 1-464 Remove the rear door assembly (2 of 2)



Step 6: Remove the ITB

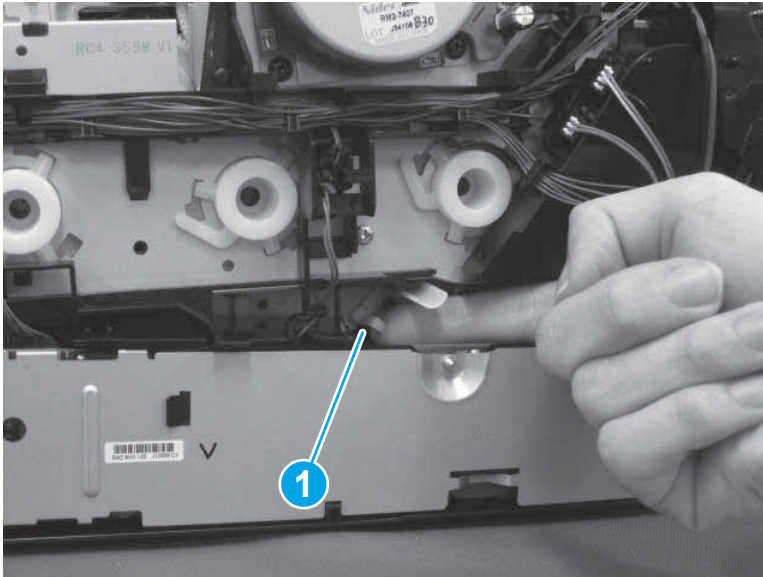
1. On the right side of the printer, remove the fan duct cover (callout 1).

Figure 1-465 Remove the ITB (1 of 8)



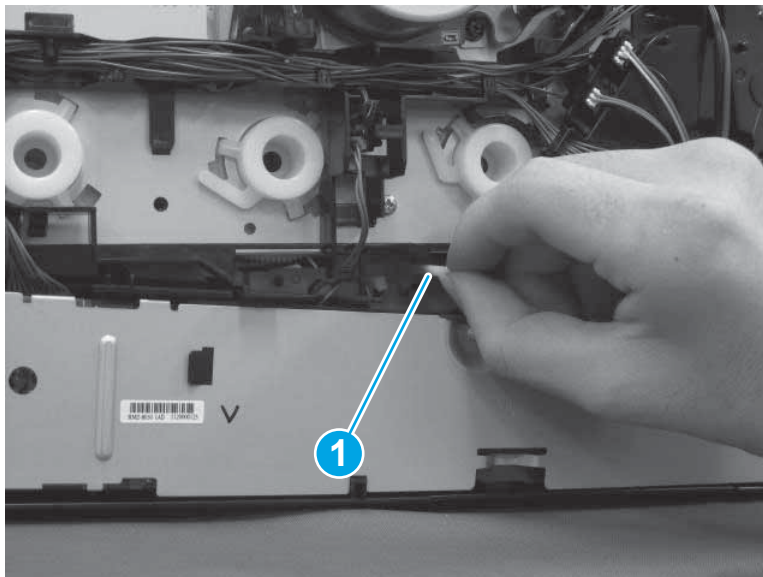
2. Next to the area where the duct cover was located, release the white plastic tab (callout 1). Rotate it toward the front of the printer.

Figure 1-466 Remove the ITB (2 of 8)



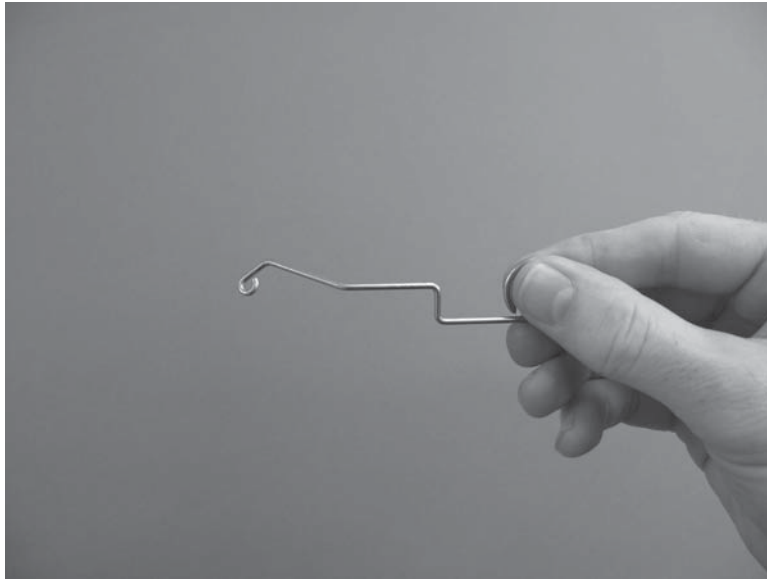
3. Pull the white plastic shaft (callout 1) away from the chassis to loosen it.

Figure 1-467 Remove the ITB (3 of 8)



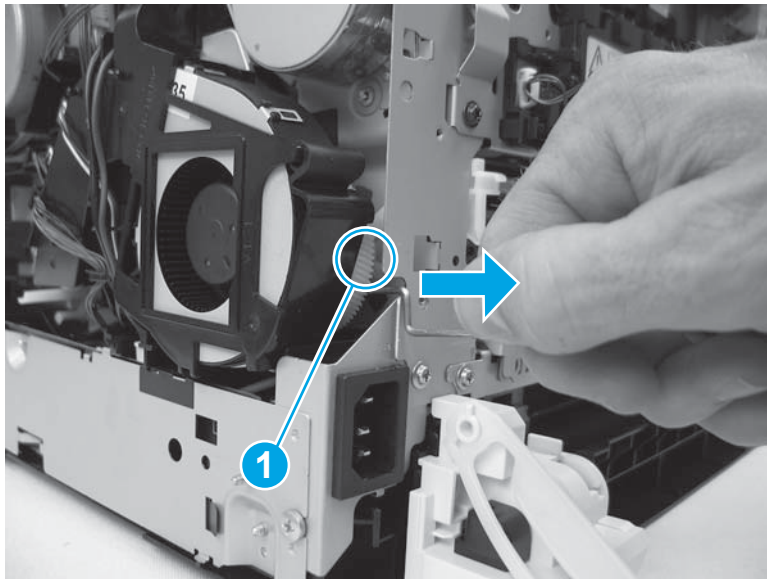
4. Find the ITB service tool and use the graphic below to see how to hold it correctly.

Figure 1-468 Remove the ITB (4 of 8)



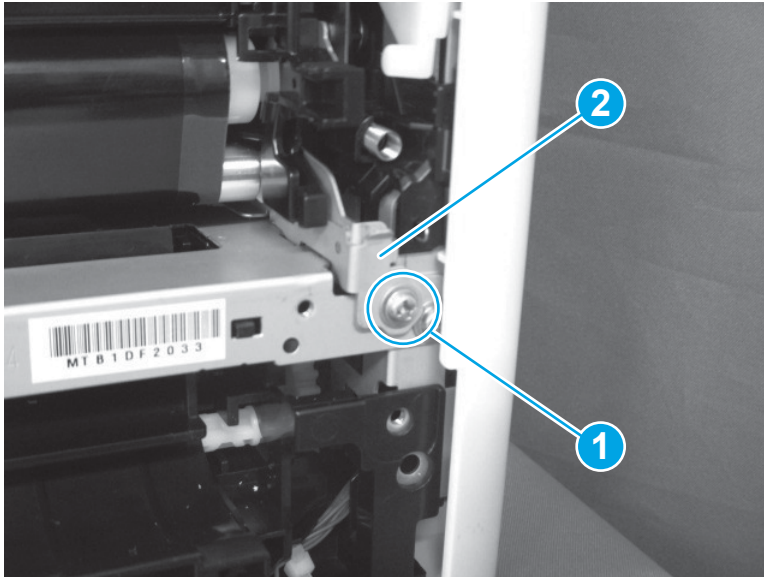
5. At the rear of the printer right side, position the ITB service tool to push the white plastic gear (callout 1) away from the chassis. Using a prying motion, press the ITB service tool toward the chassis to move the gear away from the ITB.

Figure 1-469 Remove the ITB (5 of 8)



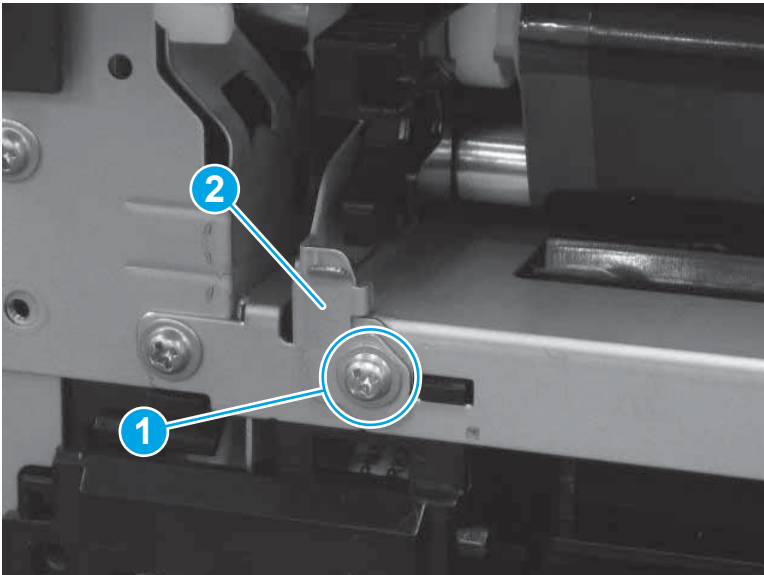
6. On the rear side of the printer, remove one screw (callout 1) on the right side of the ITB, and then flip up the holder (callout 2).

Figure 1-470 Remove the ITB (6 of 8)



7. Remove one screw (callout 1) on the left side of the ITB, and then flip up the holder (callout 2).

Figure 1-471 Remove the ITB (7 of 8)



- Using the two tabs (callout 1) that held the screws, pull the ITB assembly (callout 2) out towards you from the rear of the printer.


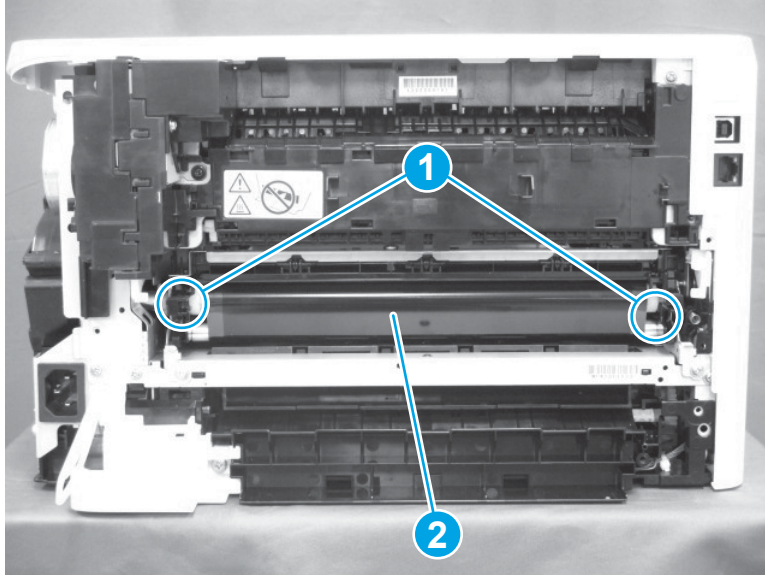
 **NOTE:** Depending on how much resistance you encounter when pulling the ITB, you might need to open or close the door to help the ITB move clear of some internal parts.

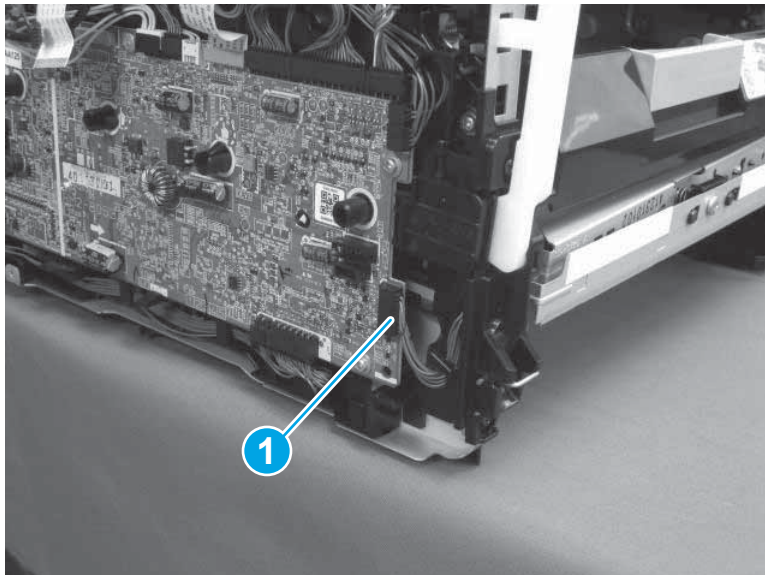
Figure 1-472 Remove the ITB (8 of 8)



Step 7: Remove the registration density sensor

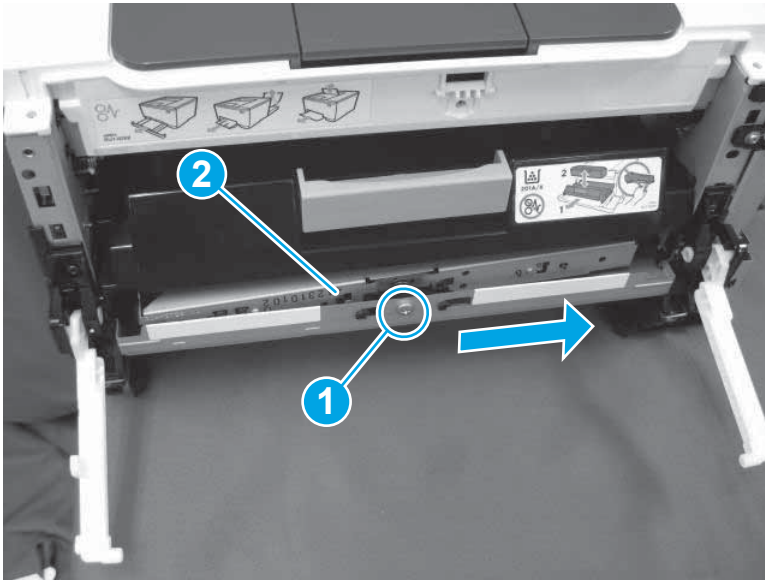
- On the left side of the printer, disconnect one connector (callout 1) on the engine controller unit.

Figure 1-473 Remove the registration density sensor (1 of 2)



2. On the front of the printer, remove one M4 tapping screw (callout 1), pull the cartridge door out partially, and then move the registration density sensor assembly (callout 2) in the direction indicated below to remove the assembly.

Figure 1-474 Remove the registration density sensor (2 of 2)



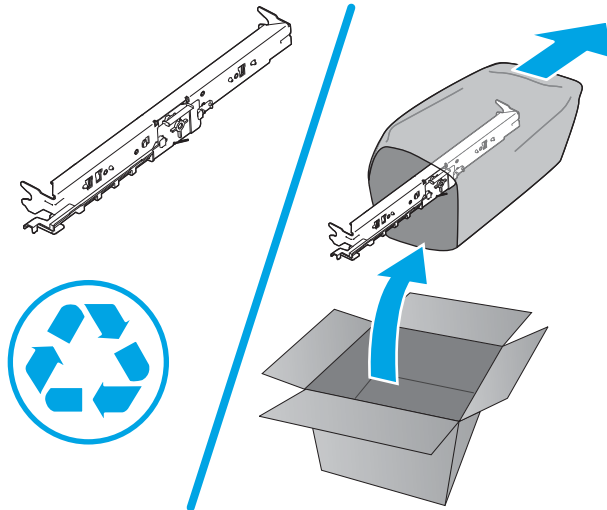
Step 8: Unpack a replacement registration density sensor assembly

Remove the new registration density sensor assembly from its package. Save all packaging for recycling the used part.

For complete information on HP's recycling programs, go to <http://www8.hp.com/us/en/hp-information/environment/product-recycling.html>.

 **NOTE:** HP recommends responsible disposal of the defective assembly.

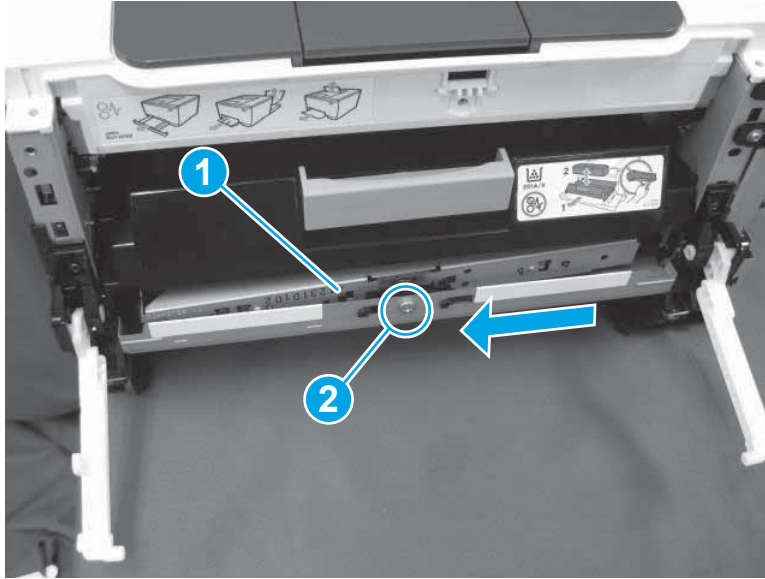
Figure 1-475 Recycle and unpack



Step 9: Remove the registration density sensor

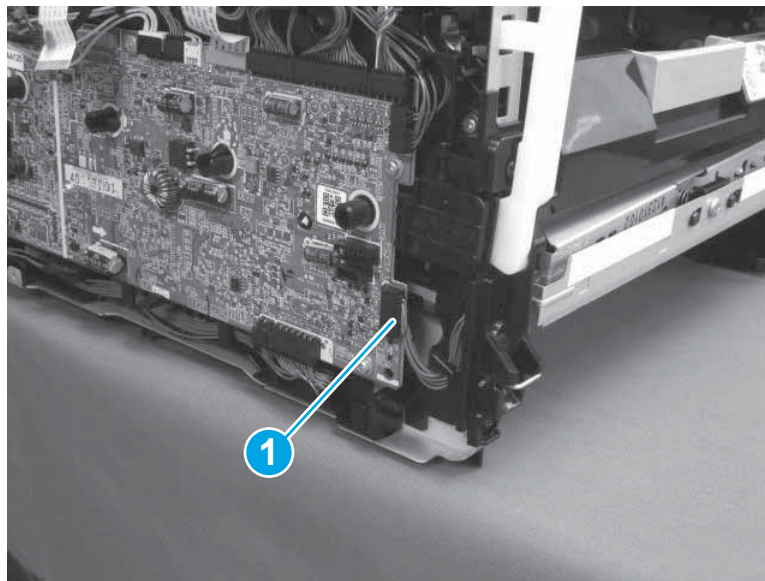
1. On the front of the printer, pull the cartridge door out partially, insert the registration density sensor assembly (callout 1) in the direction indicated below, and then install one M4 tapping screw (callout 2).

Figure 1-476 Install the registration density sensor (1 of 2)



2. On the left side of the printer, connect one connector (callout 1) on the engine controller unit.

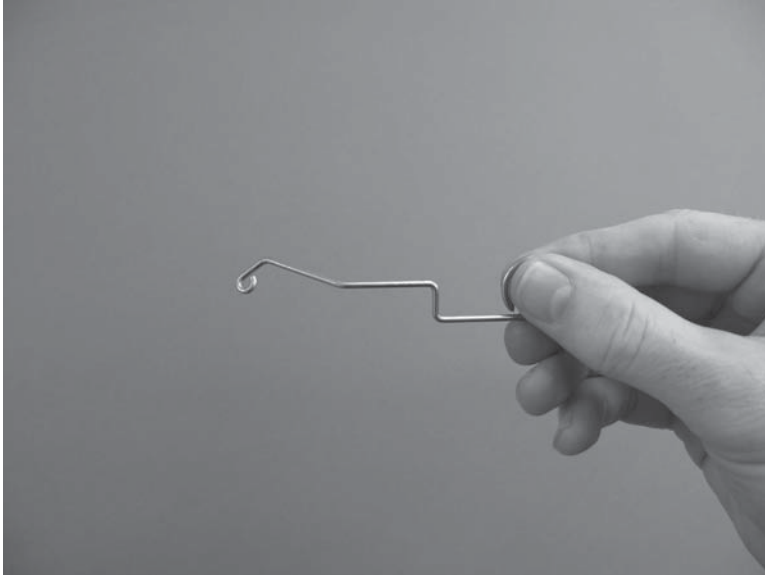
Figure 1-477 Install the registration density sensor (2 of 2)



Step 10: Install the ITB

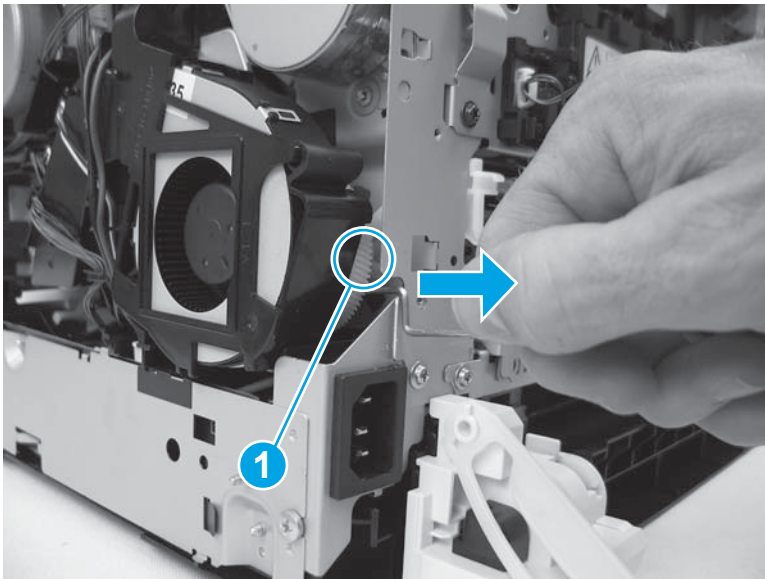
1. Find the ITB service tool and use the graphic below to see how to hold it correctly.

Figure 1-478 Install the ITB (1 of 8)



2. At the rear of the printer right side, position the ITB service tool to push the white plastic gear (callout 1) away from the chassis. Using a prying motion, press the ITB service tool toward the chassis to move the gear away from the chassis.

Figure 1-479 Install the ITB (2 of 8)



3. On the rear side of the printer, gently push the ITB assembly (callout 1) into the printer, holding the two tabs (callout 2) at either end of the ITB.


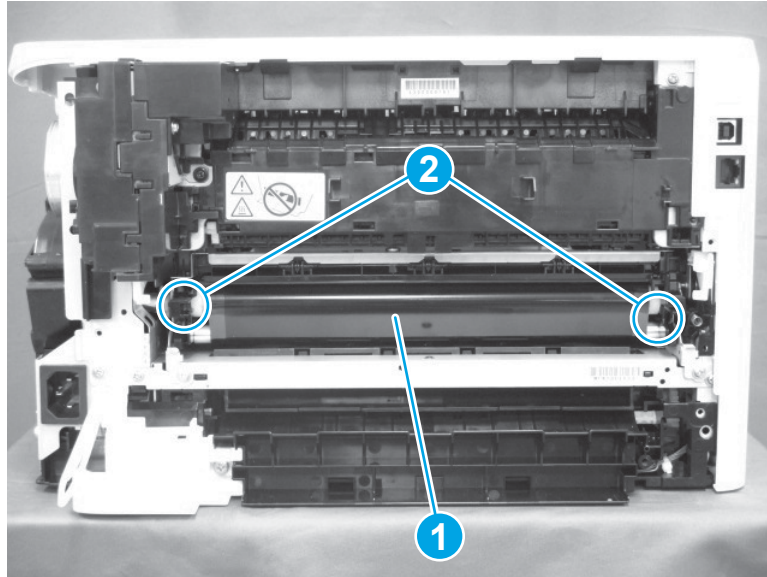
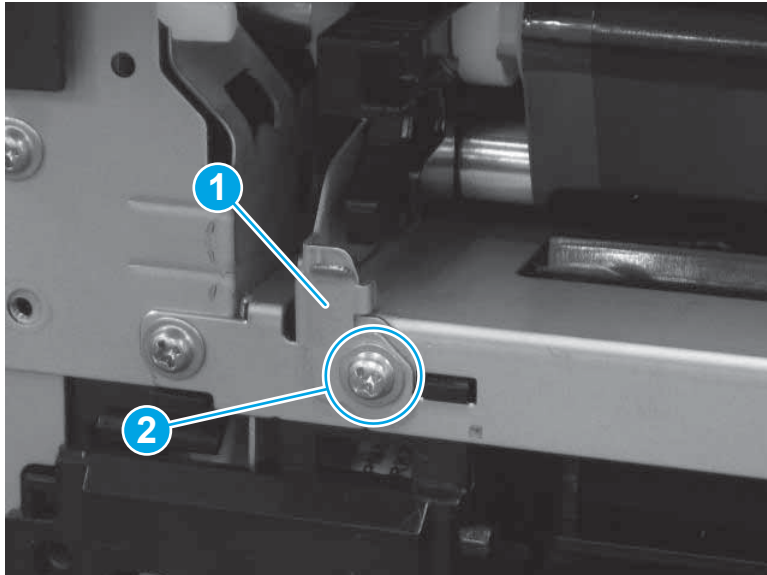
 **NOTE:** Depending on how much resistance you encounter when inserting the ITB, you might need to open or close the front door to help the ITB move clear of some internal parts.

Figure 1-480 Install the ITB (3 of 8)



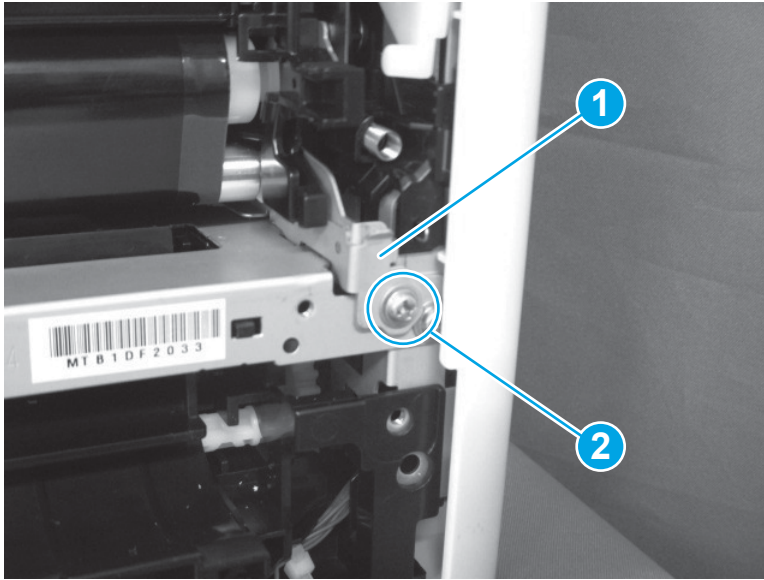
4. On the left side of the ITB, flip down the holder (callout 1), and then install one screw (callout 2).

Figure 1-481 Install the ITB (4 of 8)



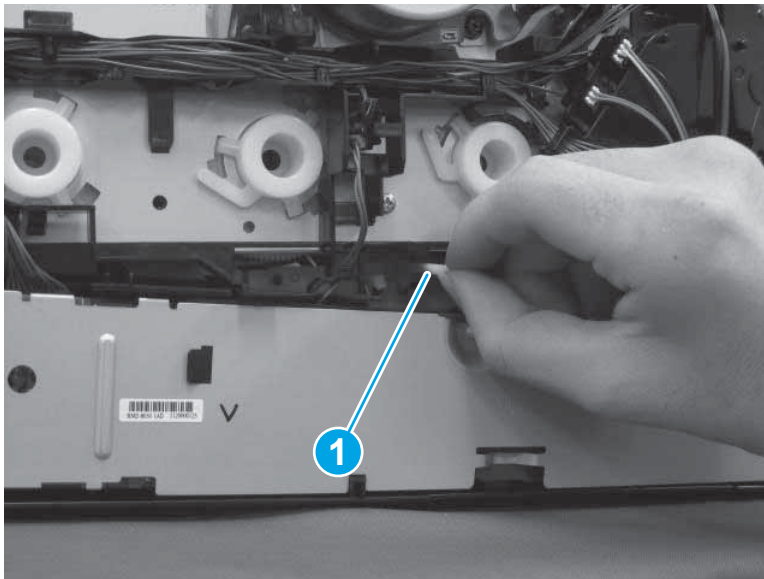
5. Flip down the holder (callout 1), and then install one screw (callout 2) on the right side of the ITB.

Figure 1-482 Install the ITB (5 of 8)



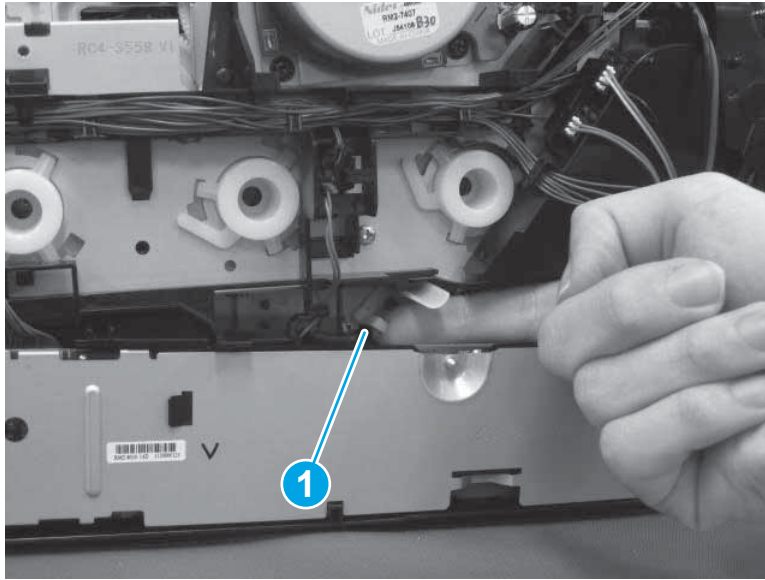
6. Push the white plastic shaft (callout 1) into the chassis to engage it.

Figure 1-483 Install the ITB (6 of 8)



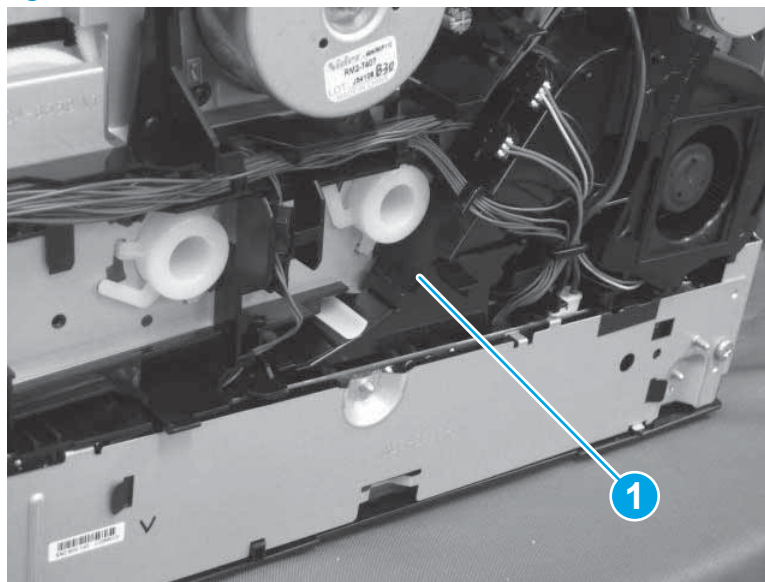
7. Engage the white plastic tab (callout 1) by rotating it toward the back of the printer.

Figure 1-484 Install the ITB (7 of 8)



8. On the right side of the printer, install the fan duct cover (callout 1).

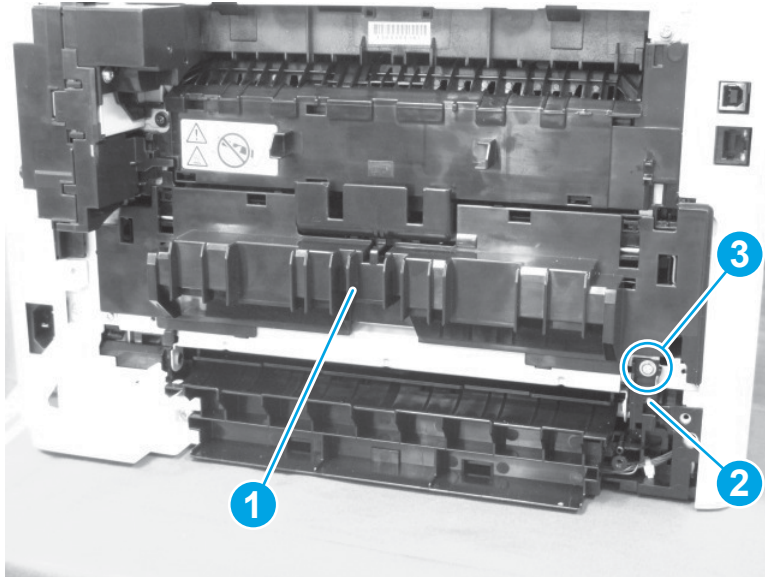
Figure 1-485 Install the ITB (8 of 8)



Step 11: Install the rear door assembly

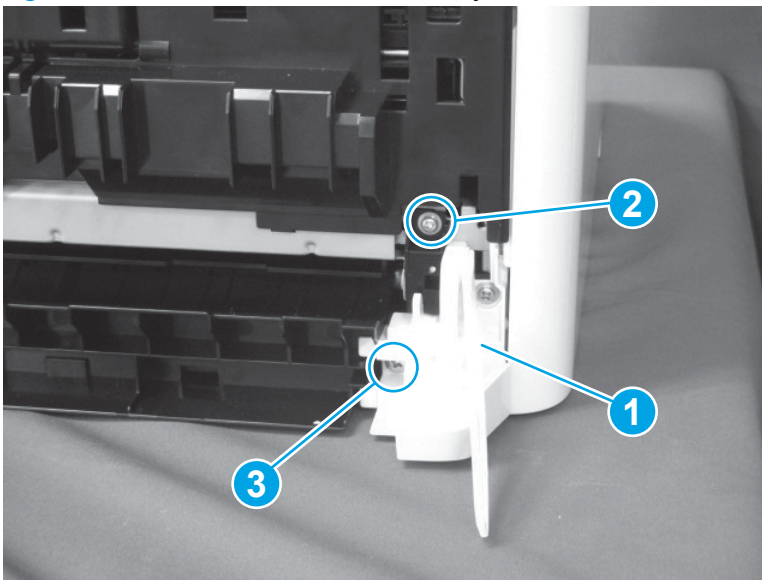
1. On the rear side of the printer, set the assembly (callout 1) in place on the chassis, set the holder (callout 2) in place, and then install one screw (callout 3).

Figure 1-486 Install the rear door assembly (1 of 2)



2. Set the holder (callout 1) in place, install one screw (callout 2), and then install one M4 tapping screw (callout 3).

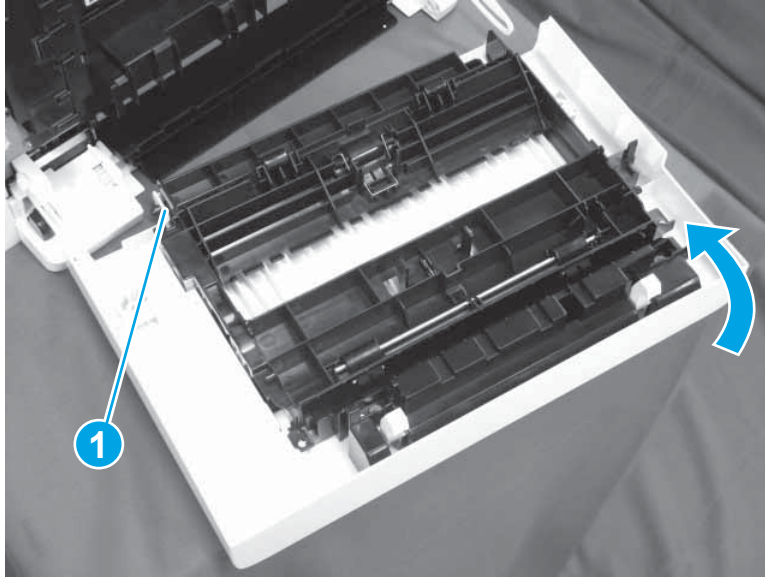
Figure 1-487 Install the rear door assembly (2 of 2)



Step 12: Install the duplexer door assembly (duplex models)

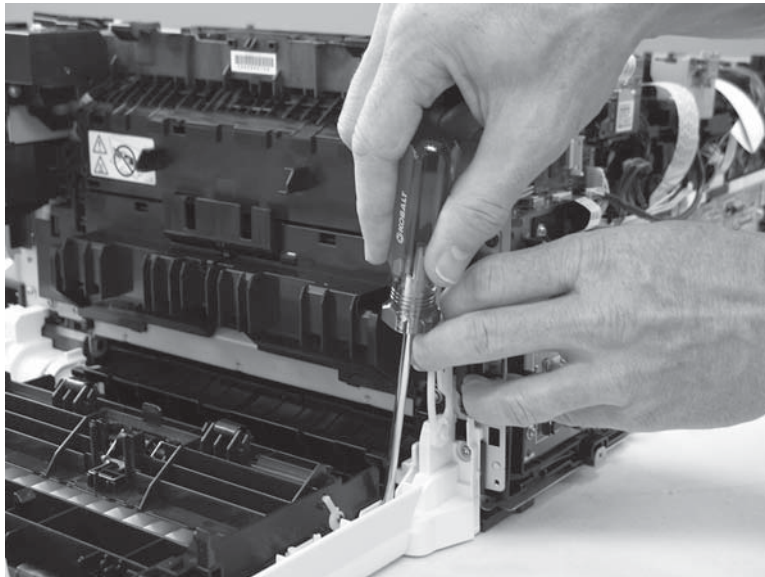
1. Insert the left shaft (callout 1) at the bottom of the door into the chassis, and then move the other side of the door into position.

Figure 1-488 Install the duplexer door (1 of 3)



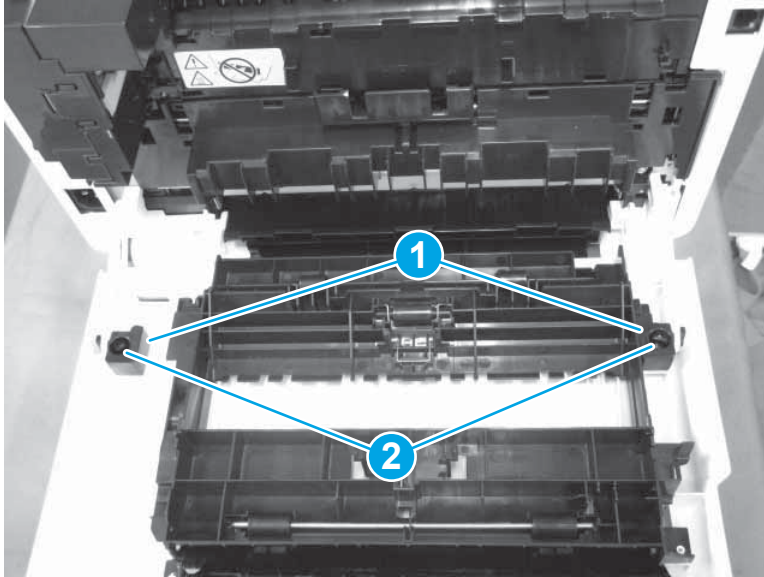
2. Use a small flat-blade screwdriver to insert the shaft on the right side of the door into the chassis.

Figure 1-489 Install the duplexer door (2 of 3)



3. At the bottom of the duplexer door, engage the two holders (callout 1), and then install two M4 tapping screws (callout 2).

Figure 1-490 Install the duplexer door (3 of 3)



Step 13: Close the front door and rear door or duplexer door

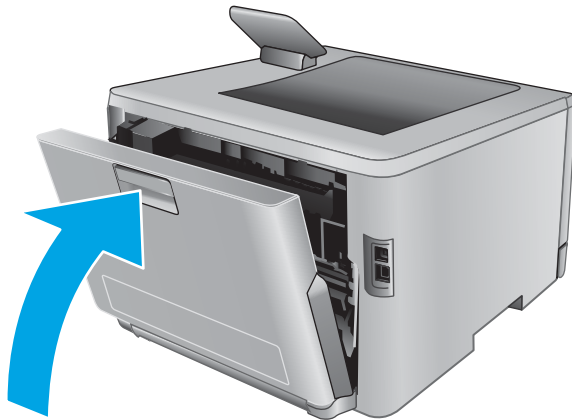
1. Close the front door.

Figure 1-491 Close the front door and rear door or duplexer door (1 of 2)



2. Close the rear door (simplex models) or duplexer door (duplex models).

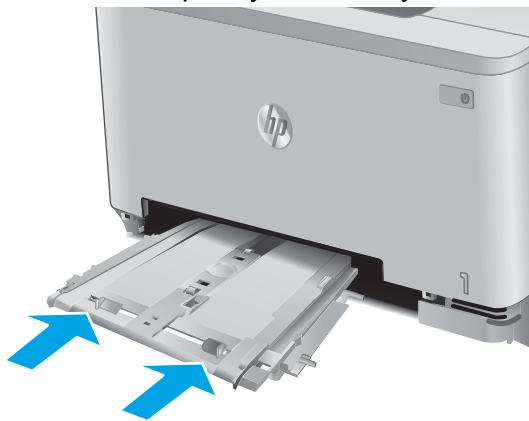
Figure 1-492 Close the front door and rear door or duplexer door (2 of 2)



Step 14: Install the priority feed slot tray

- ▲ Gently push the single-sheet priority feed slot tray into the feed slot.

Figure 1-493 Install the priority feed slot tray



Step 15: Install Tray 2

- ▲ Align Tray 2 with the tray cavity, and then push the tray into the printer.

Figure 1-494 Install Tray 2



Removal and replacement: Duplex drive assembly (duplex models)


- [Introduction](#)
- [Step 1: Remove Tray 2](#)
- [Step 2: Open the front door and rear door or duplexer door](#)
- [Step 3: Remove the right cover](#)
- [Step 4: Remove the left cover](#)
- [Step 5: Remove the scanner \(M274, M277 models\)](#)
- [Step 6: Remove the top cover](#)
- [Step 7: Remove the duplex drive assembly](#)
- [Step 8: Unpack a replacement duplex drive assembly](#)
- [Step 9: Install the duplex drive assembly](#)
- [Step 10: Install the top cover](#)
- [Step 11: Install the scanner \(M274, M277 models\)](#)
- [Step 12: Install the left cover](#)
- [Step 13: Install the right cover](#)
- [Step 14: Close the front door and rear door or duplexer door](#)
- [Step 15: Install Tray 2](#)

Introduction

This document provides the procedures to remove and replace the duplex drive assembly.

Before you begin

- Turn off the printer.
- Disconnect the power cable.

 **WARNING!** To avoid damage to the printer, turn the printer off, wait 30 seconds, and then remove the power cord before attempting to service the printer.

- Use the table below to identify the correct part number for your printer. To order the part, go to www.hp.com/buy/parts.

Duplex drive assembly part number	
-----------------------------------	--

RM2-5872-000CN	Duplex drive assembly
----------------	-----------------------

Required tools

- #2 Phillips screwdriver with a magnetic tip
- Small flat-blade screwdriver

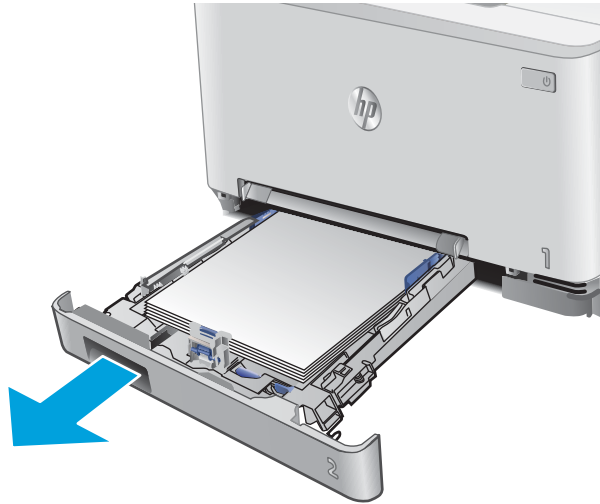
After performing service

- Connect the power cable.
- Use the power switch to turn the power on.

Step 1: Remove Tray 2

- ▲ Using the handle on the face of Tray 2, pull the tray completely out of the printer.

Figure 1-495 Remove Tray 2



Step 2: Open the front door and rear door or duplexer door

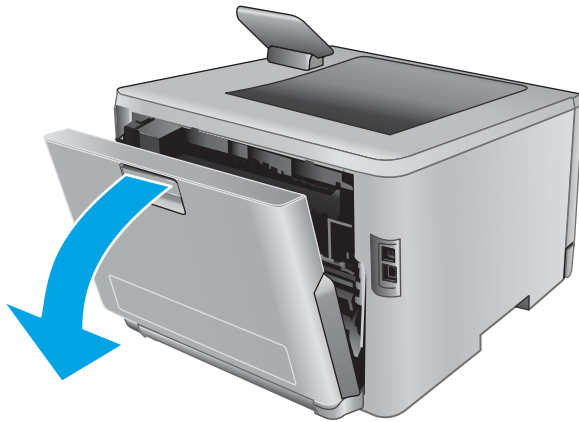
1. Open the front door.

Figure 1-496 Open the front door and rear door or duplexer door (1 of 2)



2. Use the latch release to open the rear door (simplex models) or duplexer door (duplex models).

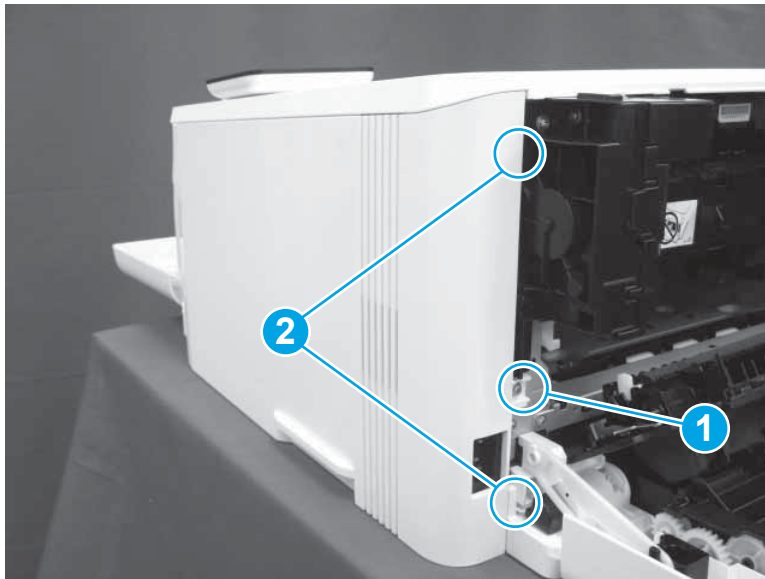
Figure 1-497 Open the front door and rear door or duplexer door (2 of 2)



Step 3: Remove the right cover

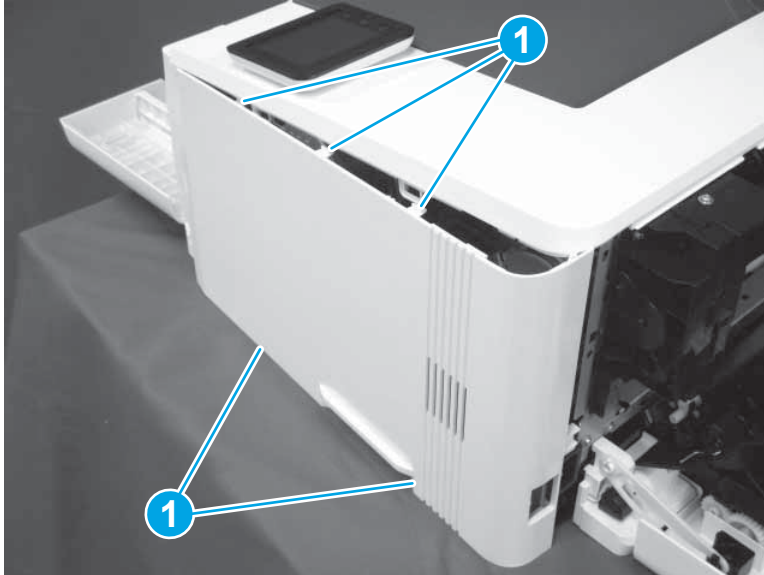
1. At the rear of the printer, remove one screw (callout 1), and then release two tabs (callout 2).

Figure 1-498 Remove the right cover (1 of 3)



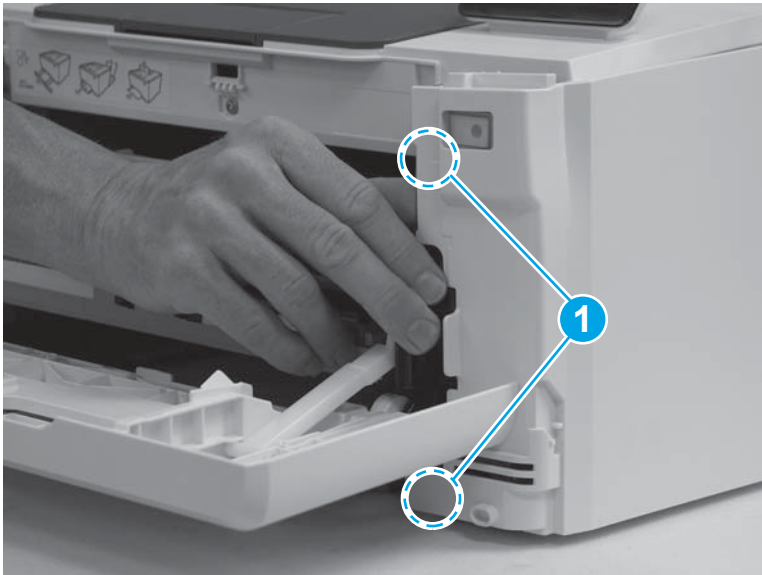
2. Release five tabs (callout 1) along the top and bottom of the cover. Releasing the top tabs first can ease this task.

Figure 1-499 Remove the right cover (2 of 3)



3. At the front of the printer, release two tabs (callout 1), and then remove the cover from the printer.

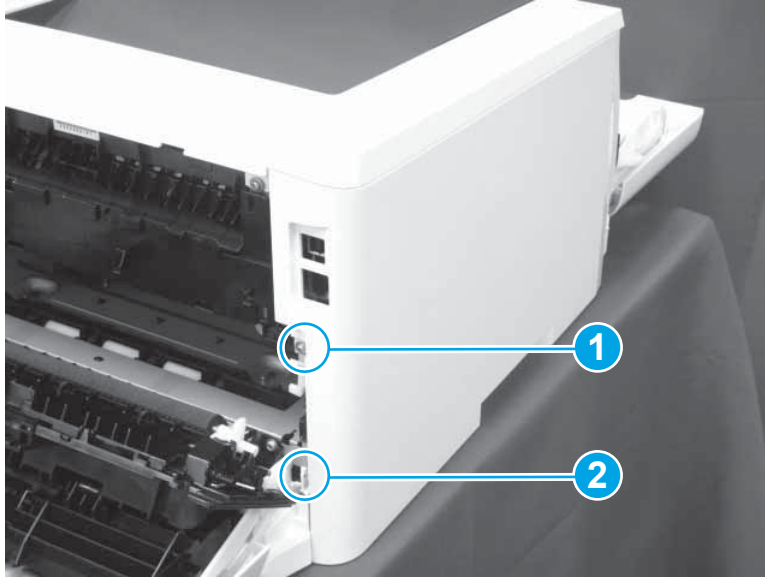
Figure 1-500 Remove the right cover (3 of 3)



Step 4: Remove the left cover

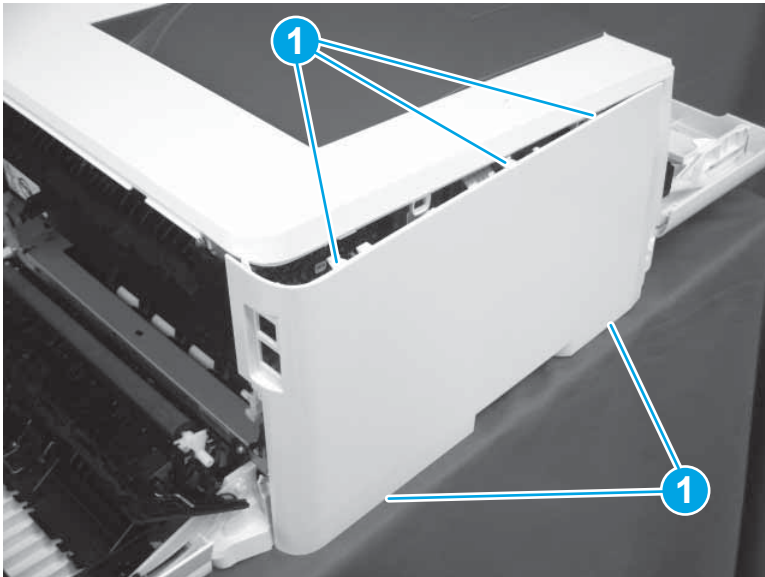
1. At the rear of the printer, remove one screw (callout 1), and then release one tab (callout 2).

Figure 1-501 Remove the left cover (1 of 3)



2. Starting at the top edge, release five tabs (callout 1)

Figure 1-502 Remove the left cover (2 of 3)



3. Move the printer so that the left cover is over the edge of the work surface. Pull the top of the cover down at approximately 45-degree angle to remove it.

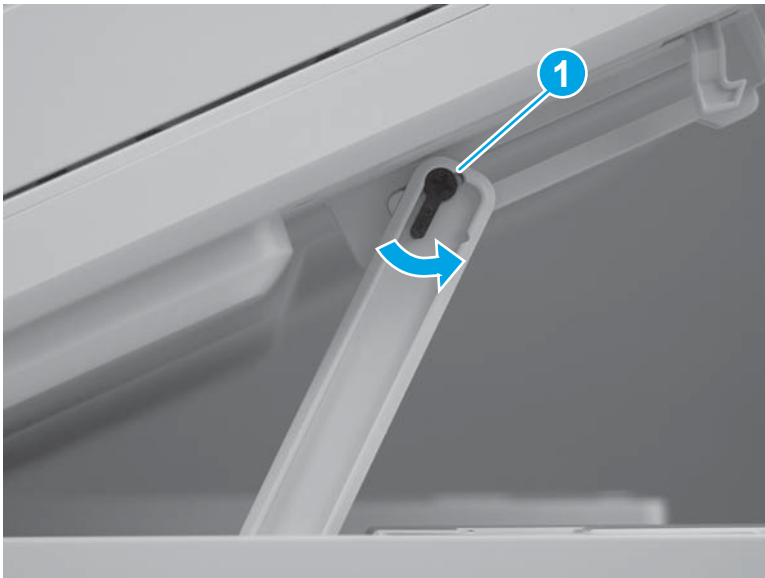
Figure 1-503 Remove the left cover (3 of 3)



Step 5: Remove the scanner (M274, M277 models)

1. With the scanner lid lifted, release the tab on the scanner support arm from the slot and rotate the support arm in the direction indicated, and then remove the pin (callout 1).

Figure 1-504 Remove the M274, M277 scanner (1 of 4)



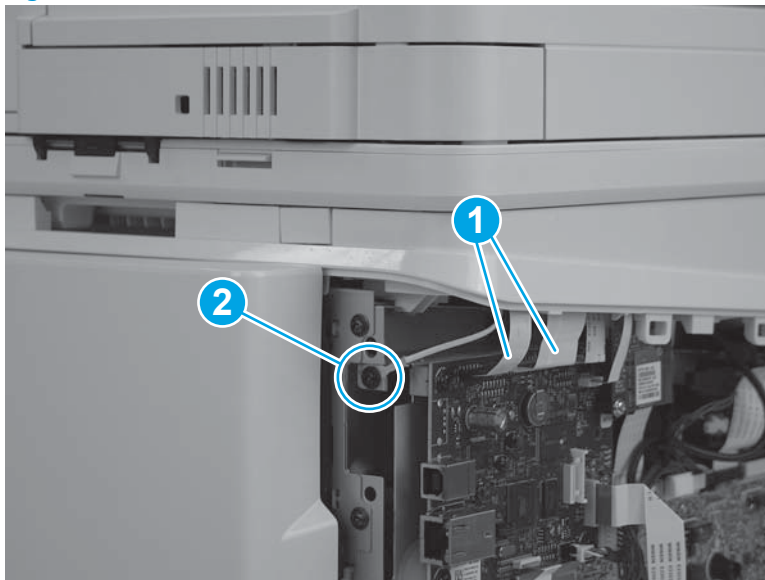
2. On the scanner bed, use a flat-blade screwdriver to remove the scanner cable cover.

Figure 1-505 Remove the M274, M277 scanner (2 of 4)



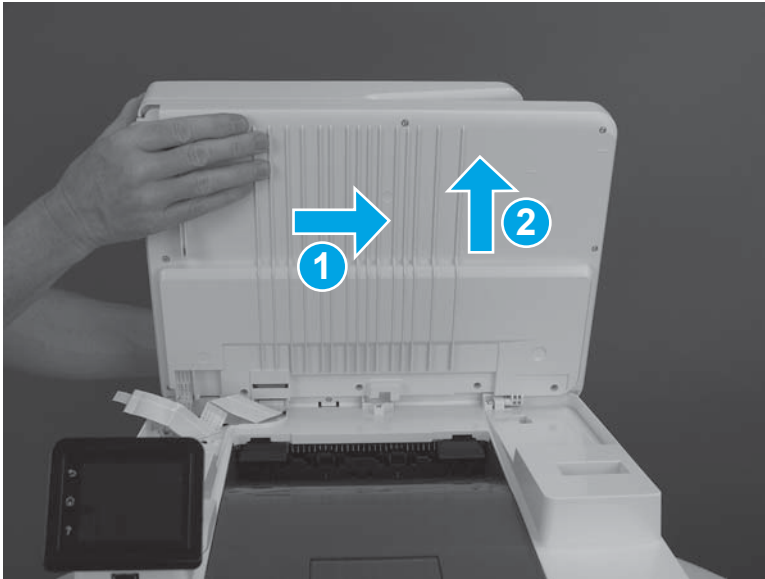
3. On the left side of the printer, disconnect two connectors (callout 1) and remove one screw (callout 2).

Figure 1-506 Remove the M274, M277 scanner (3 of 4)



4. Open the scanner assembly fully, slide the assembly in the direction indicated, and then lift the assembly off of the chassis.

Figure 1-507 Remove the M274, M277 scanner (4 of 4)

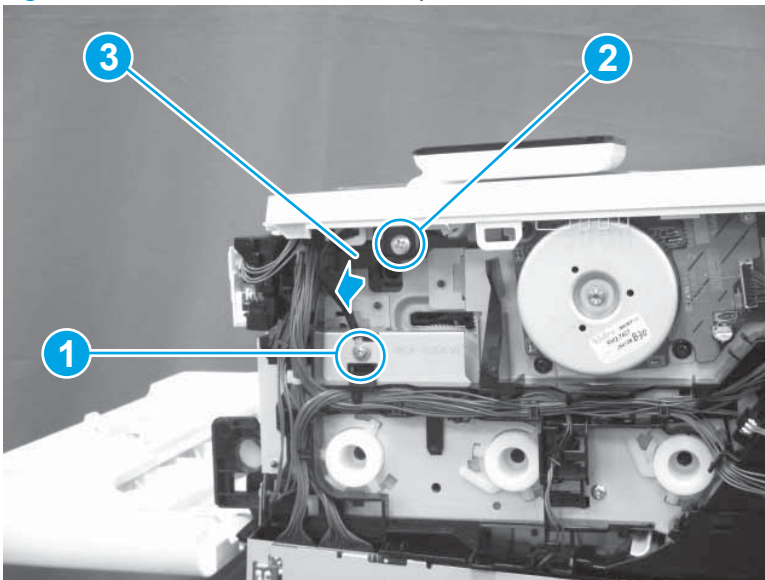


Step 6: Remove the top cover

Remove the M252dw top cover

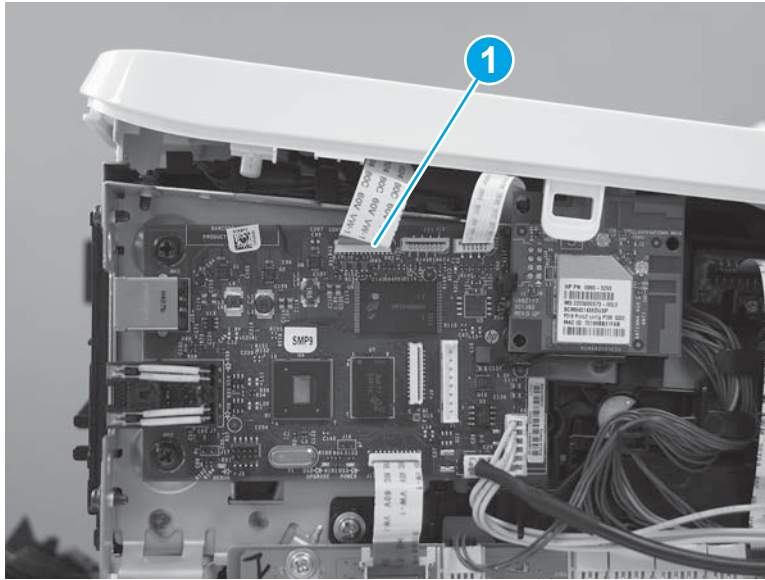
1. On the right side of the printer, remove one screw (callout 1), remove one larger M4 tapping screw (callout 2), and pull the plastic guide (callout 3) away from the printer to separate it from the chassis.

Figure 1-508 Remove the M252dw top cover (1 of 3)



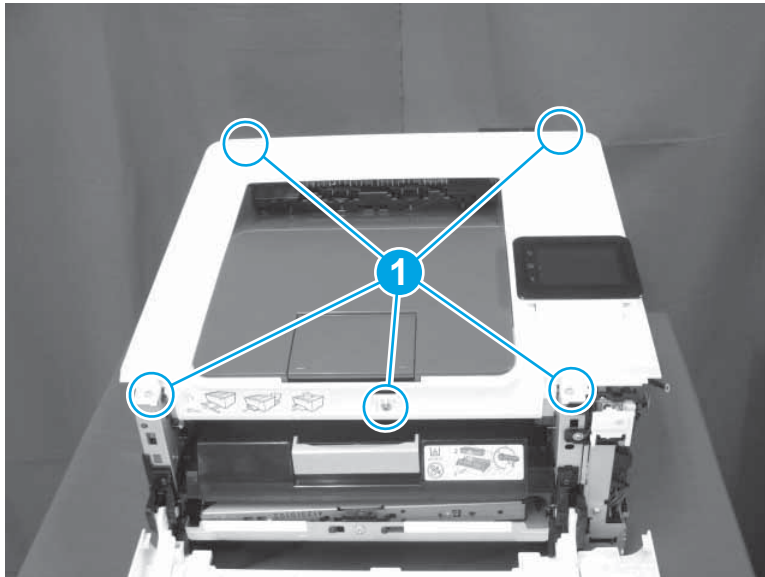
2. On the left side of the printer, on the formatter PCA, disconnect one flat cable (callout 1).

Figure 1-509 Remove the M252dw top cover (2 of 3)



3. Remove five screws (callout 1) — three screws at the front and two screws at the rear — and then remove the cover.

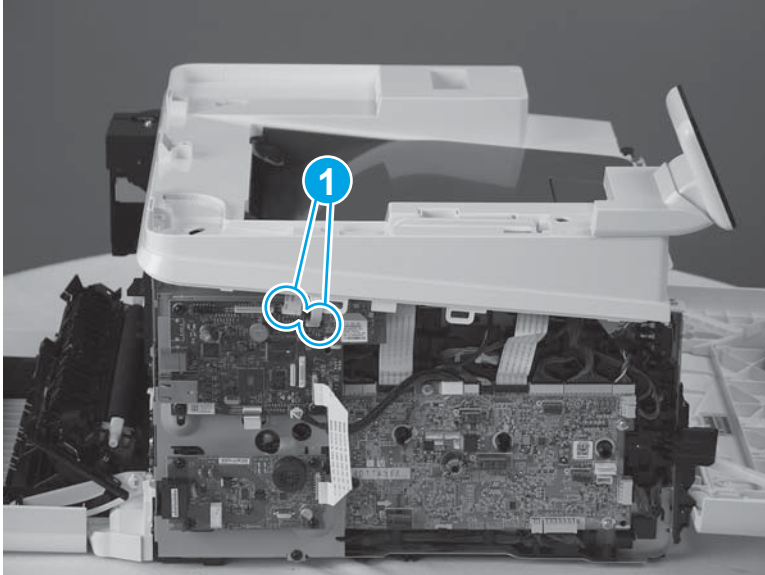
Figure 1-510 Remove the M252dw top cover (3 of 3)



Remove the M274, M277 top cover

1. On the left side of the printer, on the formatter PCA, disconnect two connectors (callout 1).

Figure 1-511 Remove the M274, M277 top cover (1 of 10)

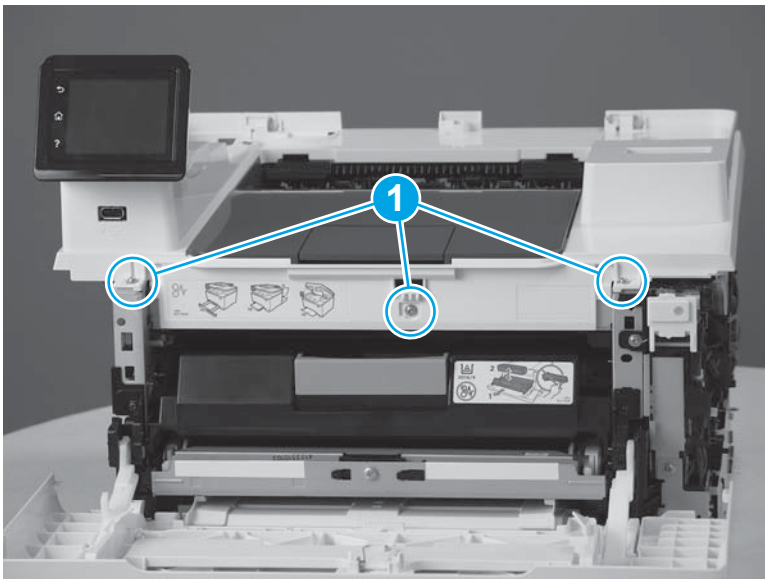


2. At the front of the printer, remove three screws (callout 1).



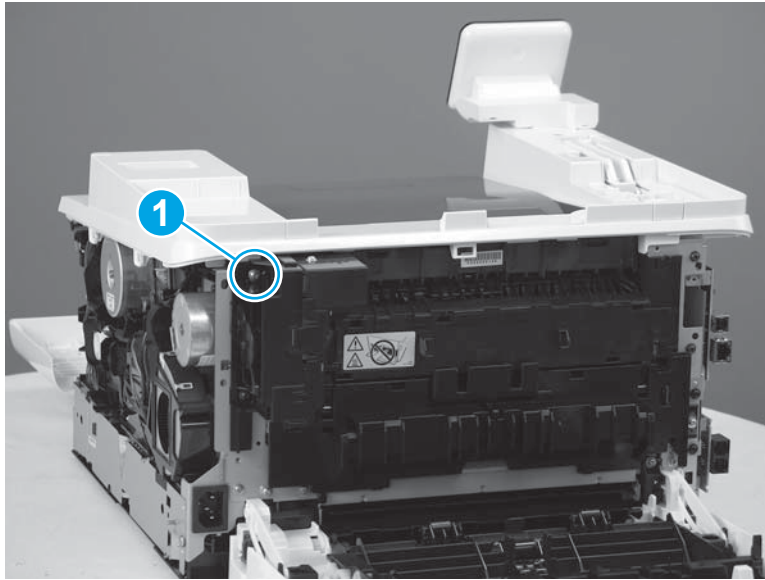
NOTE: To remove the screw beneath the control panel, you might need to use an offset screwdriver.

Figure 1-512 Remove the M274, M277 top cover (2 of 10)



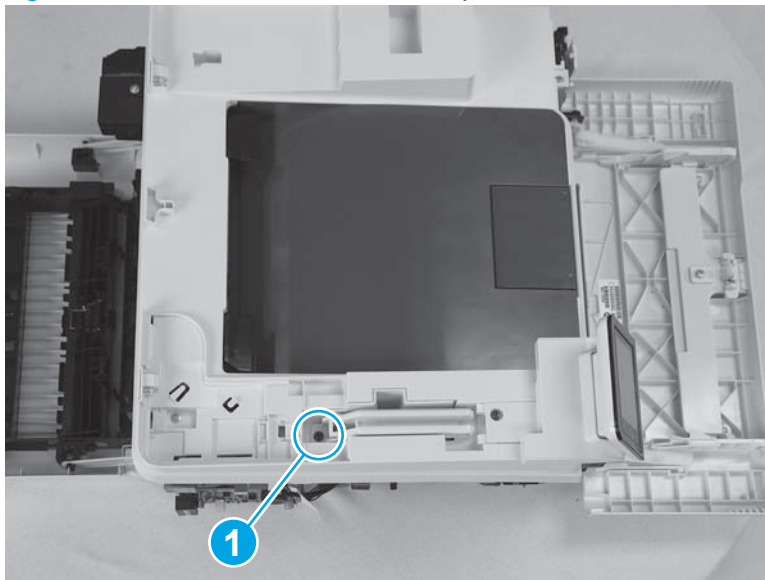
3. At the rear of the printer, remove one screw (callout 1).

Figure 1-513 Remove the M274, M277 top cover (3 of 10)



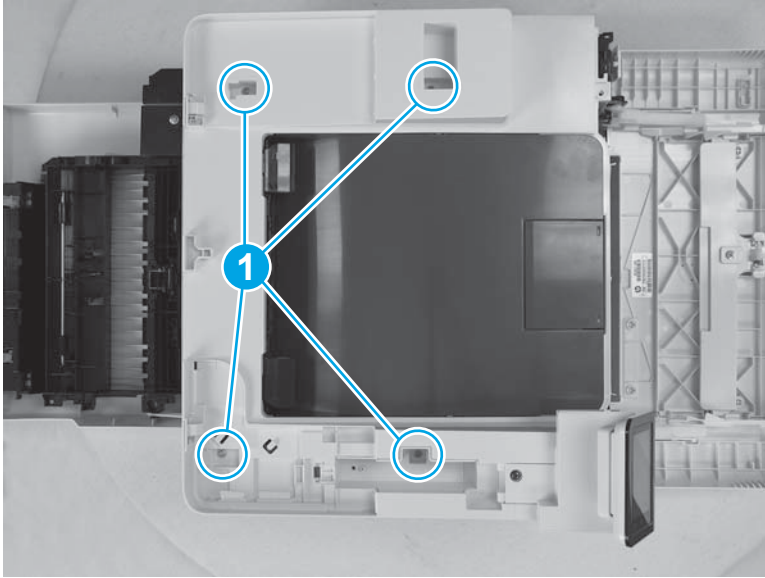
4. At the top of the printer, at the base of the scanner support arm, remove one screw (callout 1).

Figure 1-514 Remove the M274, M277 top cover (4 of 10)



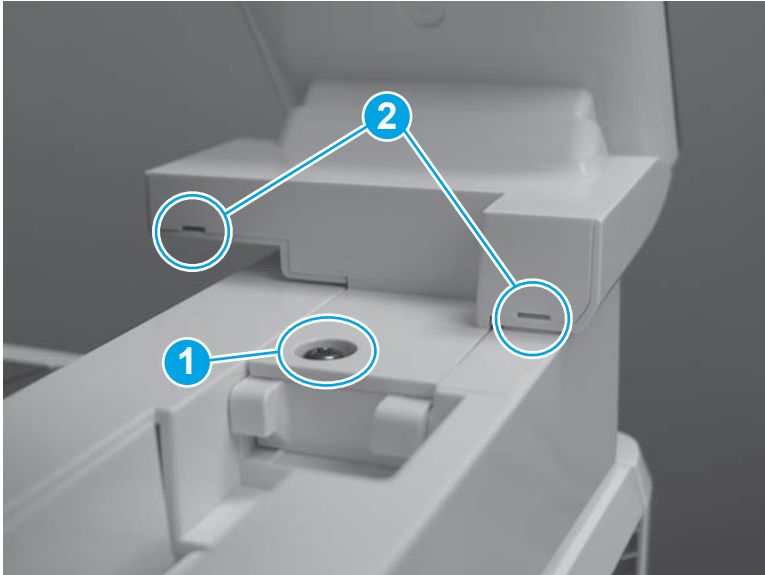
5. At the top of the printer, remove four more screws (callout 1).

Figure 1-515 Remove the M274, M277 top cover (5 of 10)



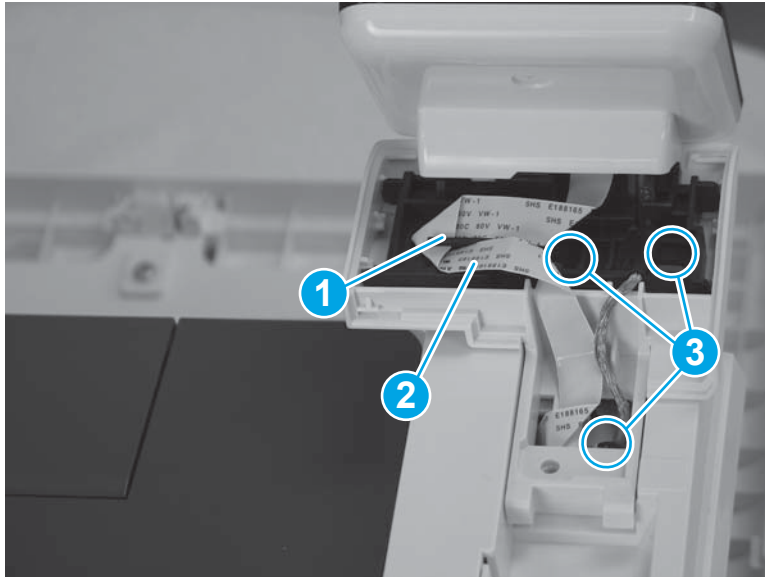
6. Behind the control panel, remove one screw (callout 1), and then use a small flat-blade screwdriver at two pry points (callout 2) to release the control-panel cover from the top cover.

Figure 1-516 Remove the M274, M277 top cover (6 of 10)



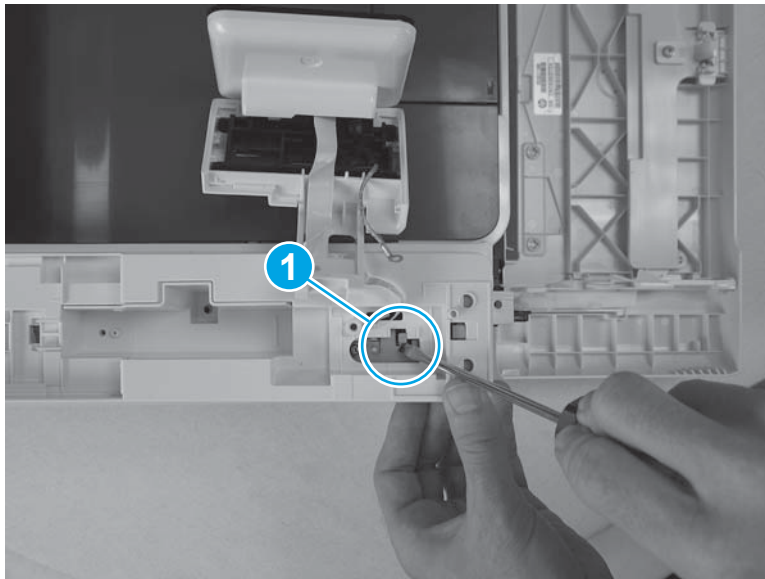
7. Unroute the flat cable (callout 1) from the wiring harness (callout 2), move the cable out of the way, and then remove three screws (callout 3).

Figure 1-517 Remove the M274, M277 top cover (7 of 10)



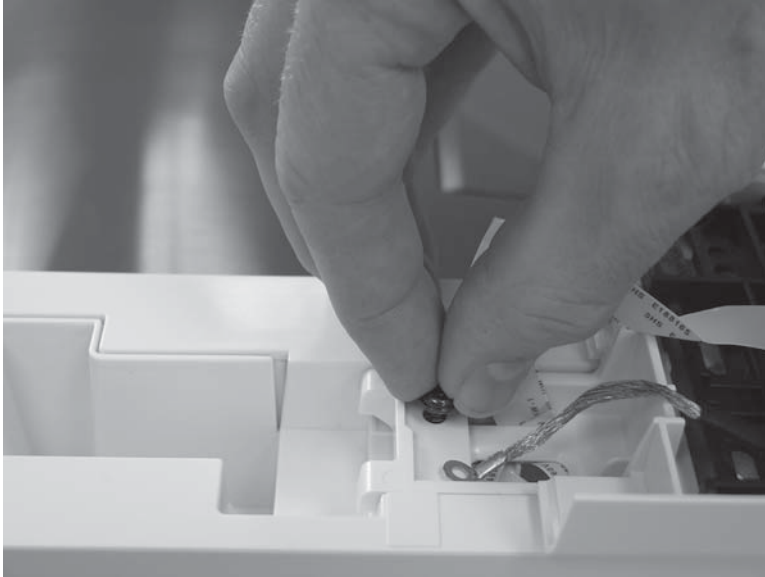
8. Use a small flat-blade screwdriver to release two tabs (callout 1) that connect the top cover to the chassis.

Figure 1-518 Remove the M274, M277 top cover (8 of 10)



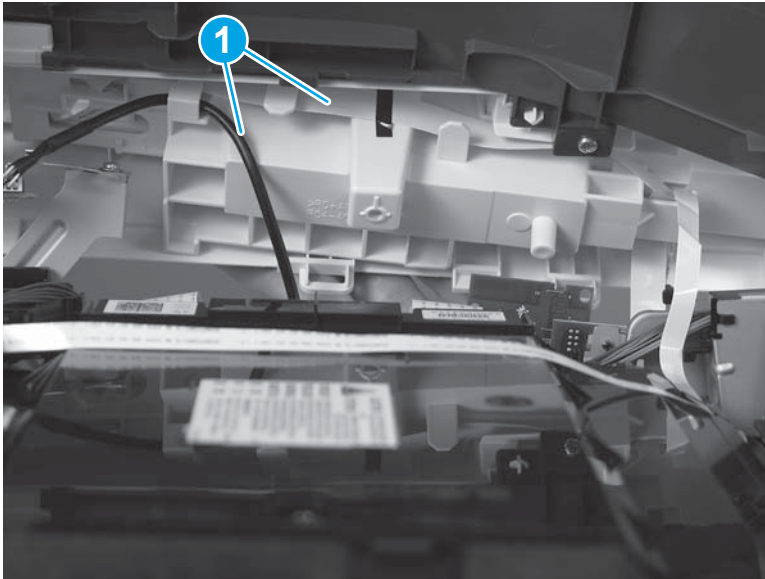
9. With your hand, refasten the screw that was previously removed to temporarily reattach the control panel to the top cover. Doing this should protect the flat cable from being damaged.

Figure 1-519 Remove the M274, M277 top cover (9 of 10)



10. Tilt the top cover. Underneath the cover, unroute the cables (callout 1), and then lift the cover away from the printer.

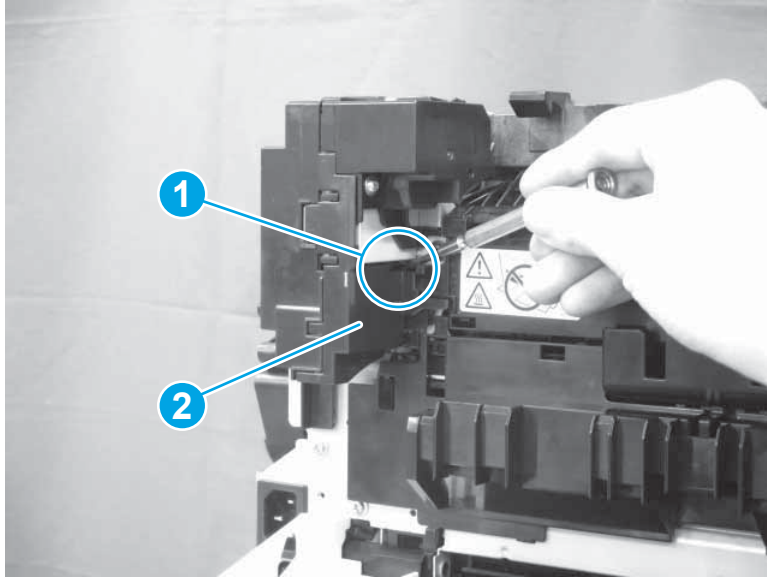
Figure 1-520 Remove the M274, M277 top cover (10 of 10)



Step 7: Remove the duplex drive assembly

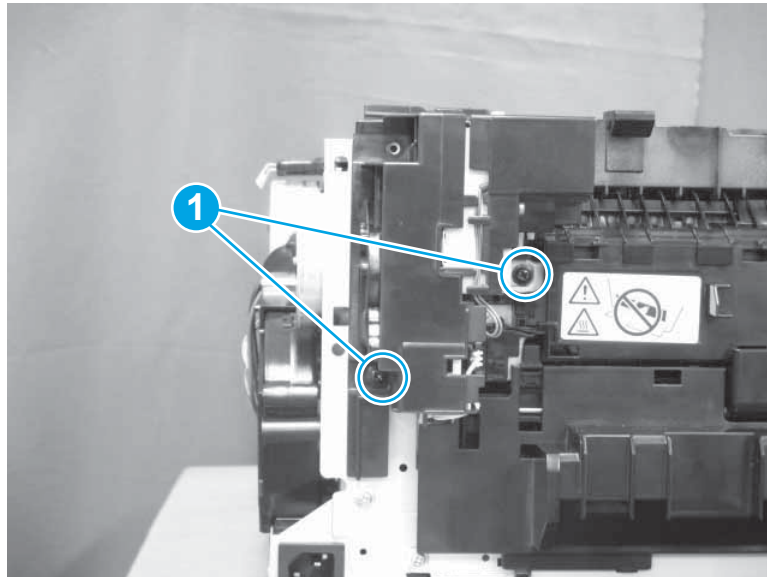
1. Use a flat-blade screwdriver to release one tab (callout 1), and then remove the cover (callout 2).

Figure 1-521 Remove the duplex drive assembly (1 of 4)



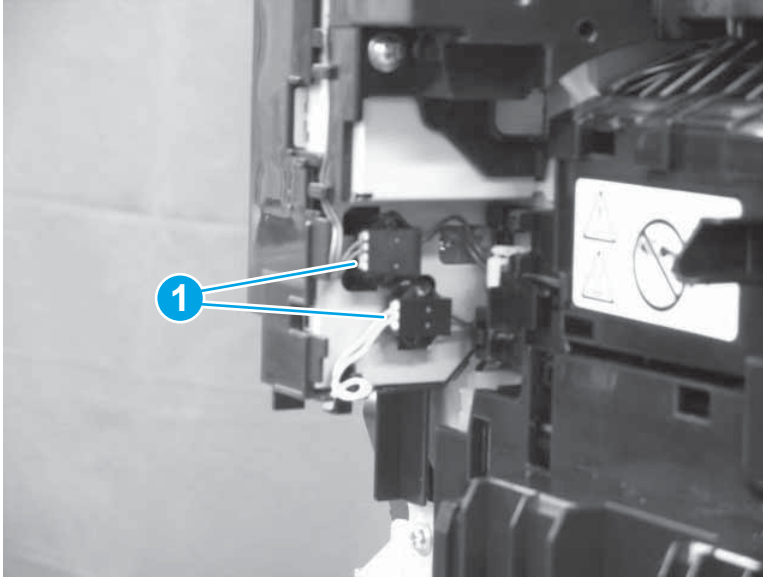
2. Remove two black screws (callout 1).

Figure 1-522 Remove the duplex drive assembly (2 of 4)



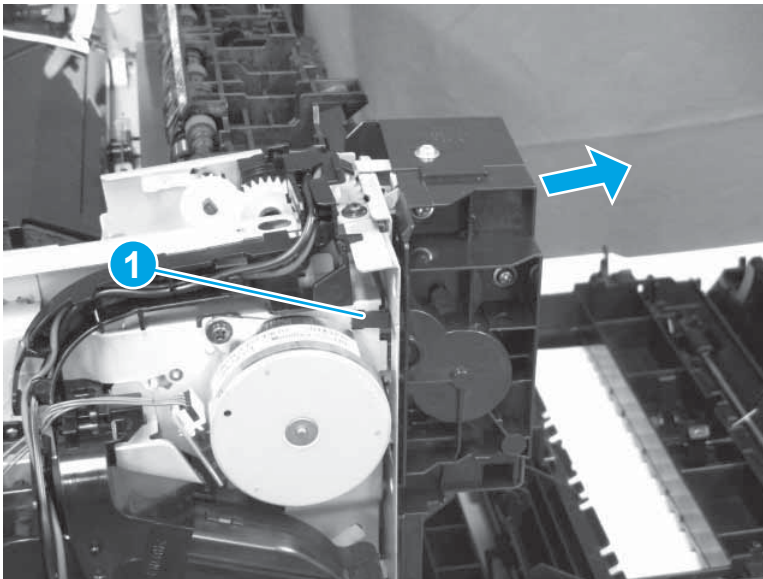
3. Disconnect two connectors (callout 1). Pulling the connectors away from the drive assembly first might make disconnecting them easier.

Figure 1-523 Remove the duplex drive assembly (3 of 4)



4. On the right side of the printer, just above the fuser motor, release one tab (callout 1), and then pull the duplex drive assembly away from the chassis in the direction indicated below.

Figure 1-524 Remove the duplex drive assembly (4 of 4)



Step 8: Unpack a replacement duplex drive assembly

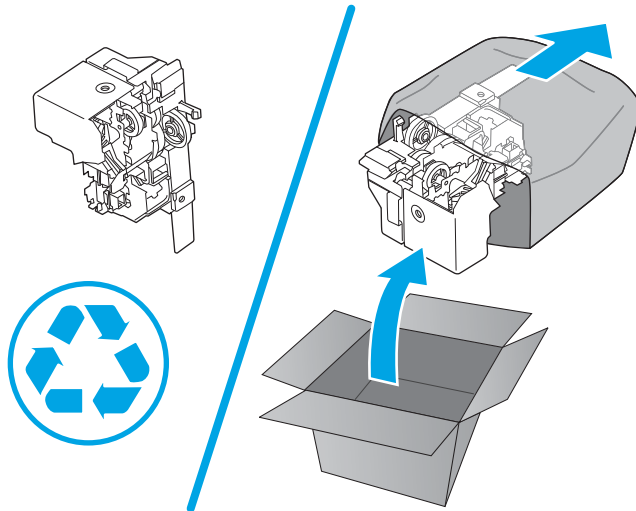
Remove the new duplex drive assembly from its package. Save all packaging for recycling the used part.

For complete information on HP's recycling programs, go to <http://www8.hp.com/us/en/hp-information/environment/product-recycling.html>.



NOTE: HP recommends responsible disposal of the defective assembly.

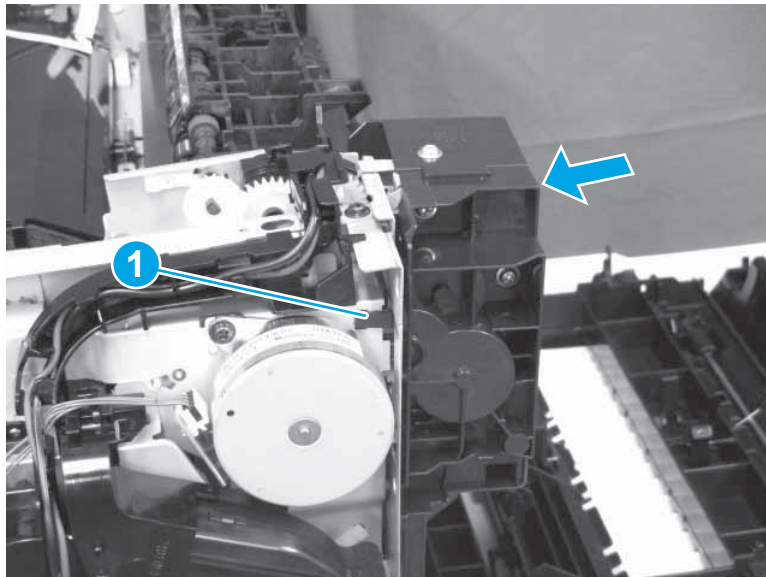
Figure 1-525 Recycle and unpack



Step 9: Install the duplex drive assembly

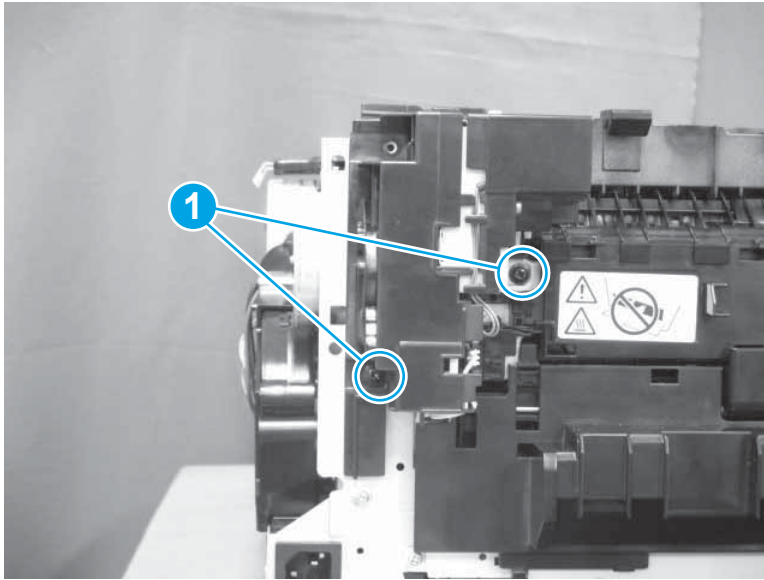
1. On the rear right corner of the printer, set the duplex drive assembly in place on the chassis, and then, just above the fuser motor, engage one tab (callout 1).

Figure 1-526 Install the duplex drive assembly (1 of 4)



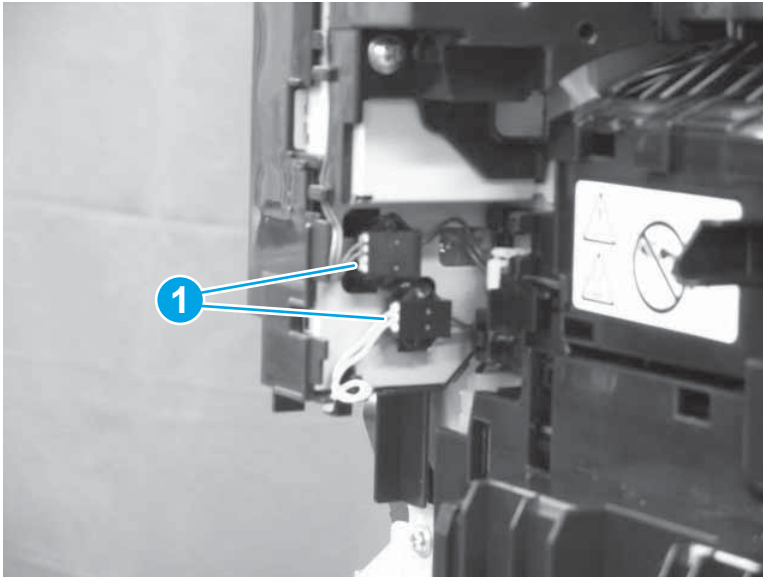
2. Install two black screws (callout 1).

Figure 1-527 Install the duplex drive assembly (2 of 4)



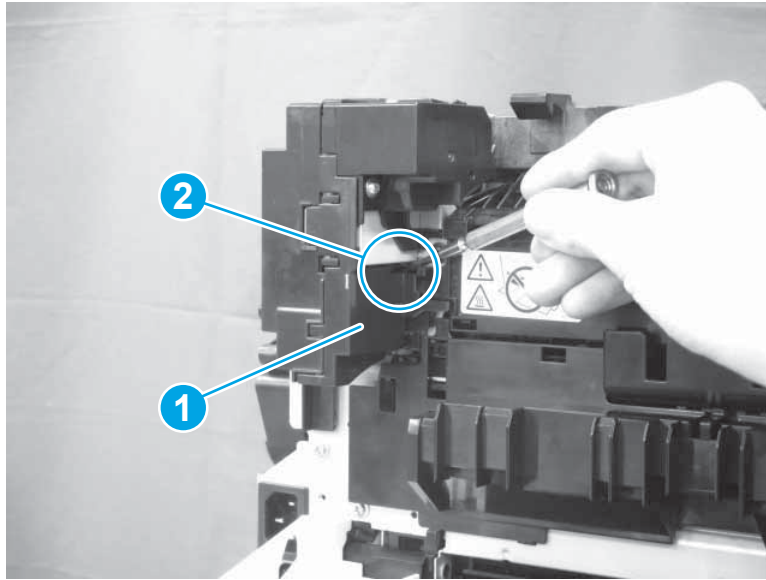
3. Connect two connectors (callout 1), and then clip them into place against the assembly.

Figure 1-528 Install the duplex drive assembly (3 of 4)



4. Set the cover (callout 1) in place, and then engage one tab (callout 2).

Figure 1-529 Install the duplex drive assembly (4 of 4)



Step 10: Install the top cover

Install the M252dw top cover

1. Set the cover in place, and then install five screws (callout 1) — three screws at the front and two screws at the rear.


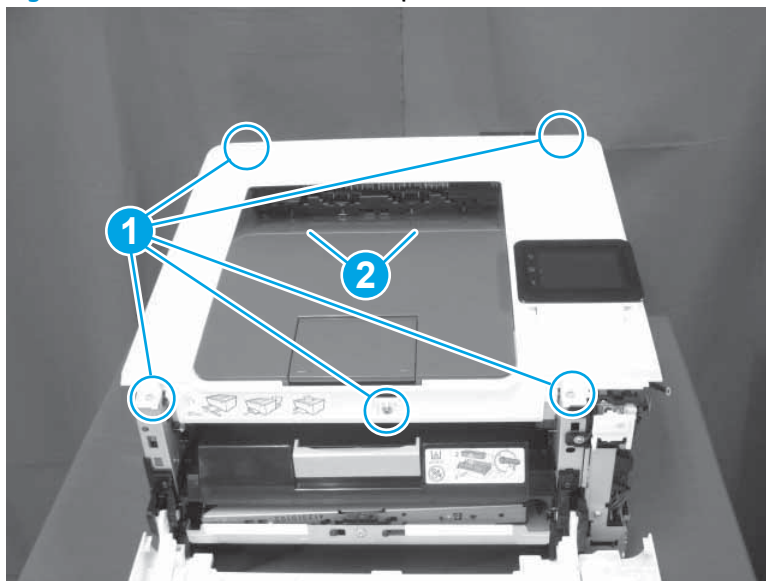
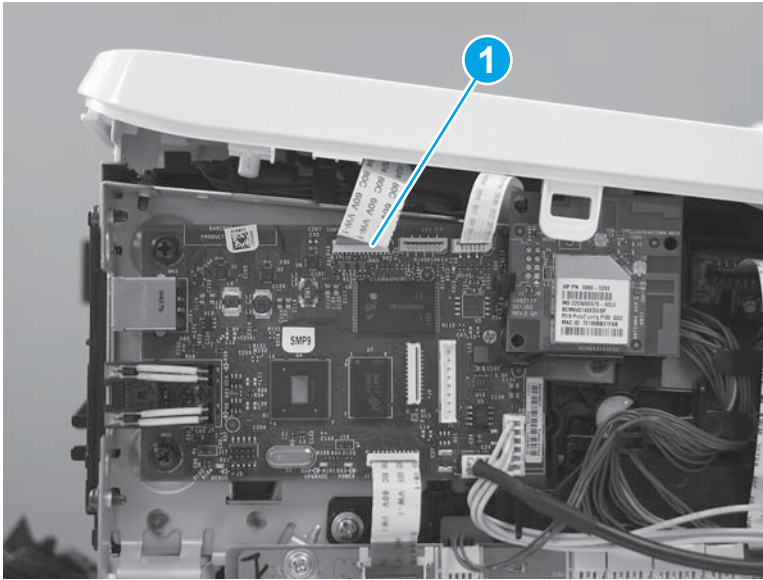
 **IMPORTANT:** Before installing the screws, press down along the rear edge of the cover (callout 2) to engage two retaining tabs (the tabs should snap into place).

Figure 1-530 Install the M252dw top cover (1 of 3)



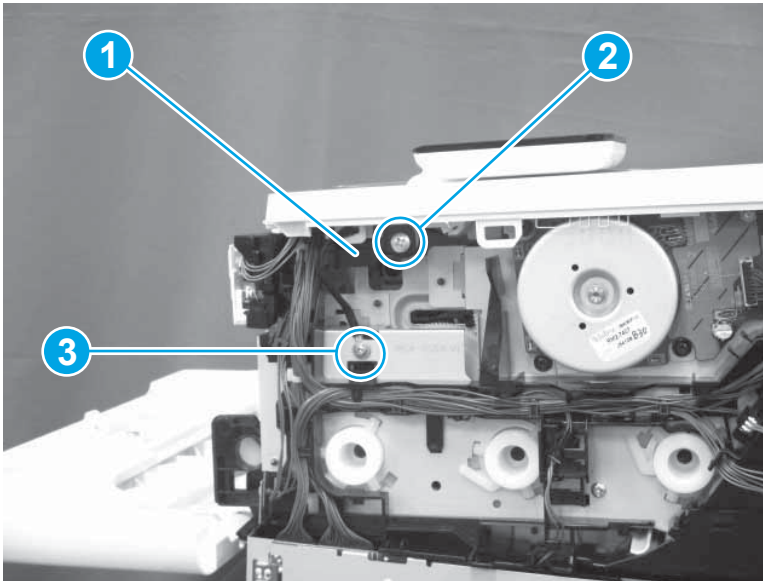
2. On the left side of the printer, on the formatter PCA, connect one flat cable (callout 1).

Figure 1-531 Install the M252dw top cover (2 of 3)



3. On the right side of the printer, push the plastic guide (callout 1) into the chassis, install one M4 tapping screw (callout 2), and install one screw (callout 3) to fasten the ground wire to the chassis.

Figure 1-532 Install the M252dw top cover (3 of 3)



Install the M274, M277 top cover

1. Set the cover in place on the chassis, and then tilt the top cover. Underneath the cover, route the cables (callout 1) through their respective guides.


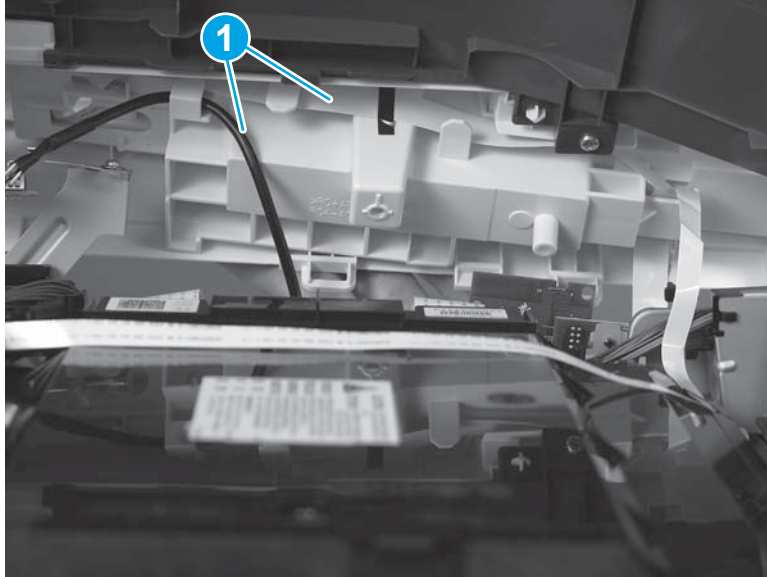
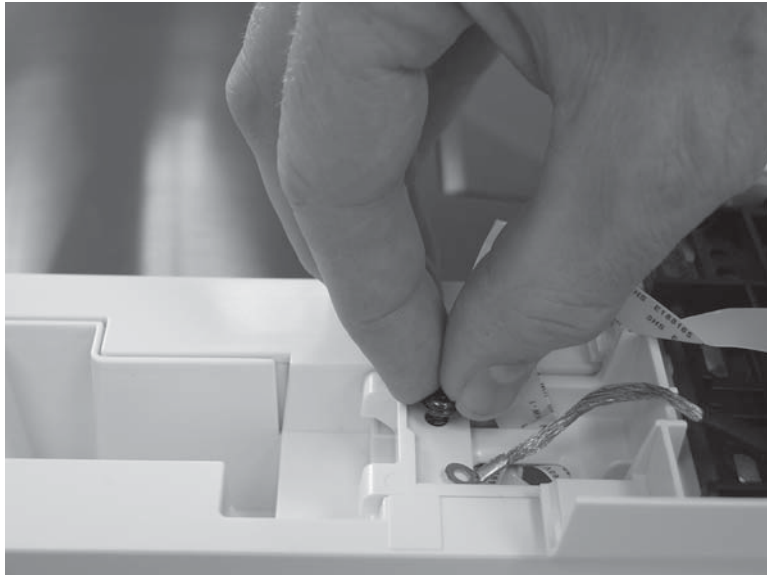
 **IMPORTANT:** After placing the cover on the printer, press down along the rear edge of the cover to engage two retaining tabs (the tabs should snap into place).

Figure 1-533 Install the M274, M277 top cover (1 of 10)



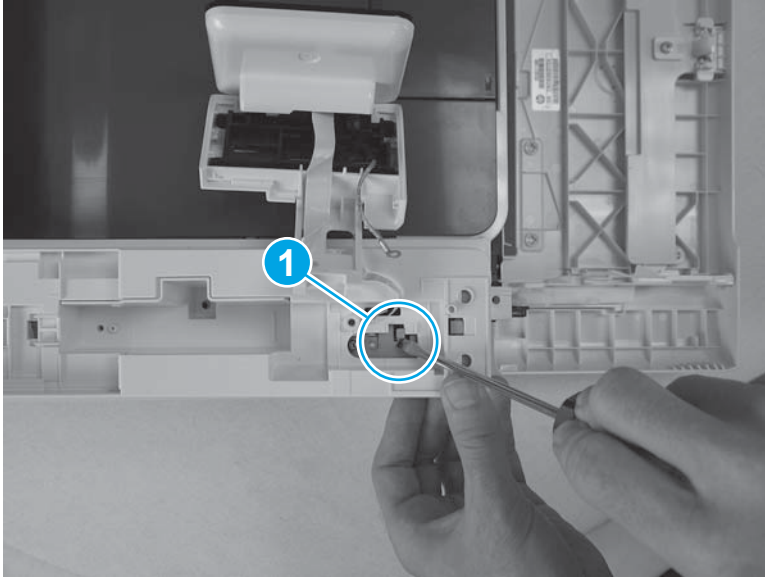
2. With your hand, unfasten the screw that was used to temporarily reattach the control panel to the top cover. Pull the control panel away from the cover to expose the tabs underneath.

Figure 1-534 Install the M274, M277 top cover (2 of 10)



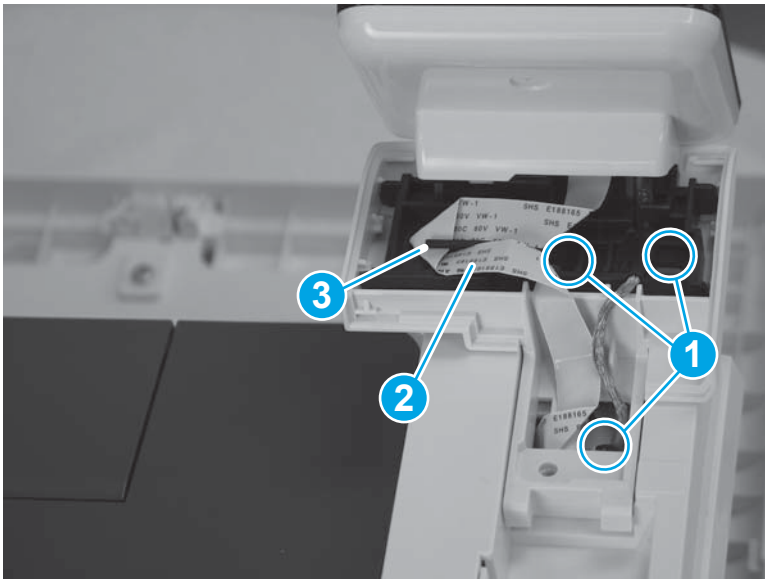
3. Use a small flat-blade screwdriver to engage two tabs (callout 1) that connect the top cover to the chassis.

Figure 1-535 Install the M274, M277 top cover (3 of 10)



4. Set the control-panel assembly in place, install three screws (callout 1), and then route the flat cable (callout 2) into the cable guide (callout 3).

Figure 1-536 Install the M274, M277 top cover (4 of 10)



5. Behind the control panel, set the control-panel cover in place, and then install one screw (callout 1).


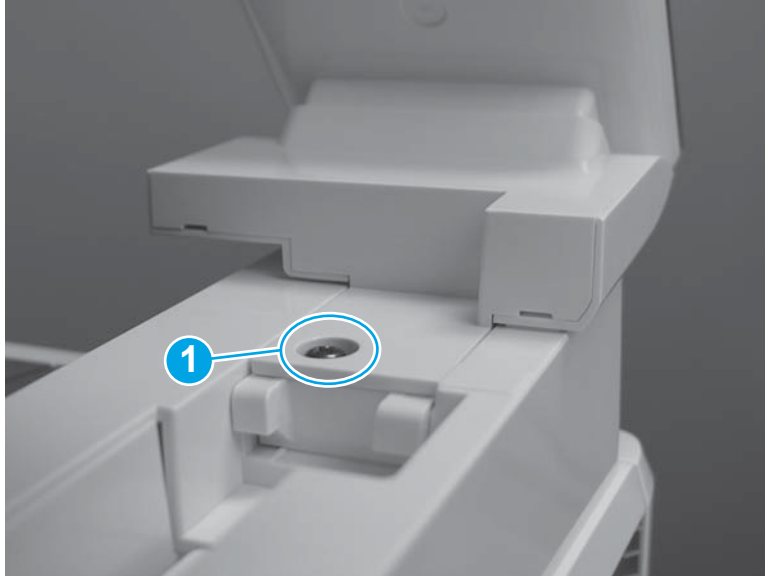
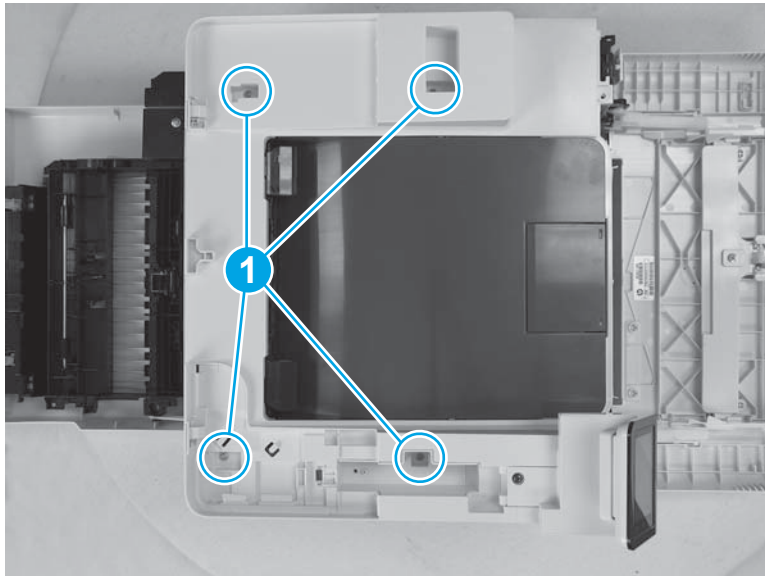
 **IMPORTANT:** Make sure that the front edge of the control panel is correctly installed and that it snaps into place.

Figure 1-537 Install the M274, M277 top cover (5 of 10)



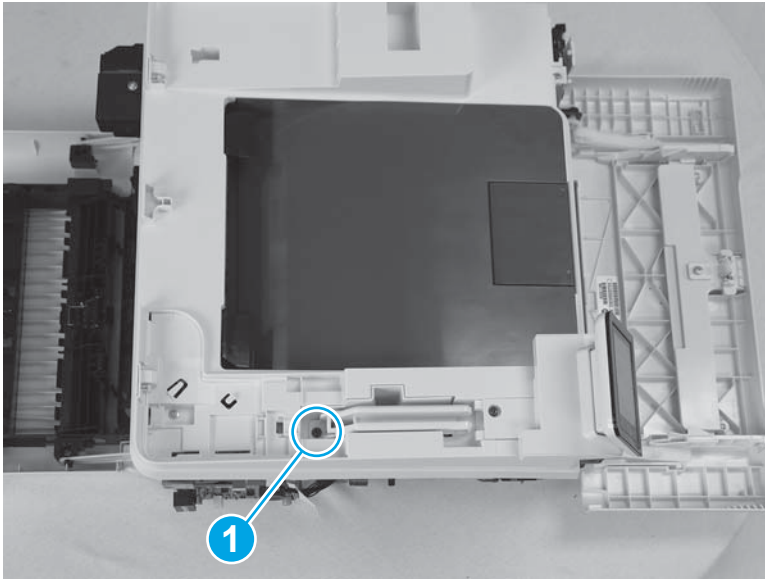
6. At the top of the printer, install four screws (callout 1).

Figure 1-538 Install the M274, M277 top cover (6 of 10)



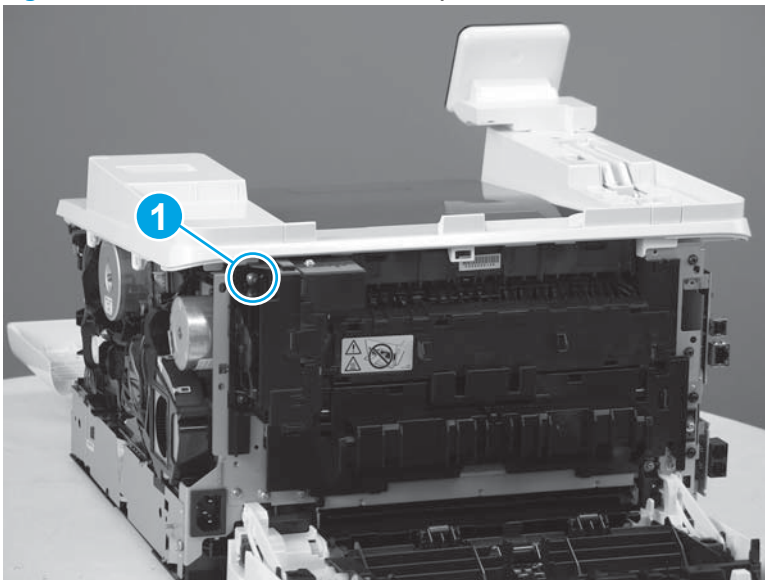
7. At the top of the printer, at the base of the scanner support arm, install one screw (callout 1).

Figure 1-539 Install the M274, M277 top cover (7 of 10)



8. At the rear of the printer, install one screw (callout 1).

Figure 1-540 Install the M274, M277 top cover (8 of 10)

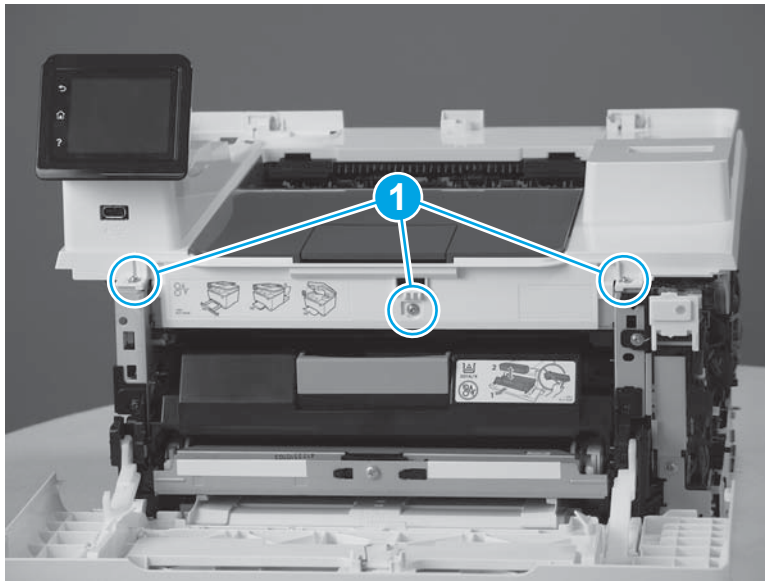


- At the front of the printer, install three screws (callout 1).



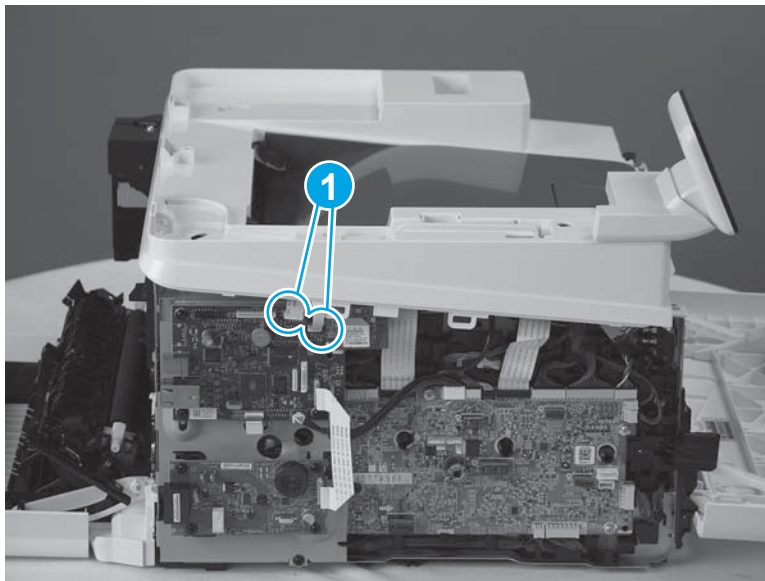
NOTE: To install the screw beneath the control panel, you might need to use an offset screwdriver.

Figure 1-541 Install the M274, M277 top cover (9 of 10)



- On the left side of the printer, on the formatter PCA, connect two connectors (callout 1).

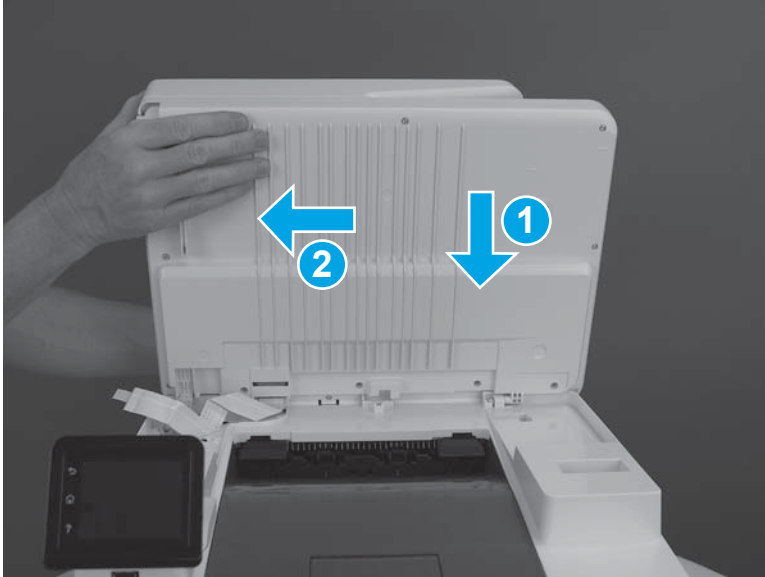
Figure 1-542 Install the M274, M277 top cover (10 of 10)



Step 11: Install the scanner (M274, M277 models)

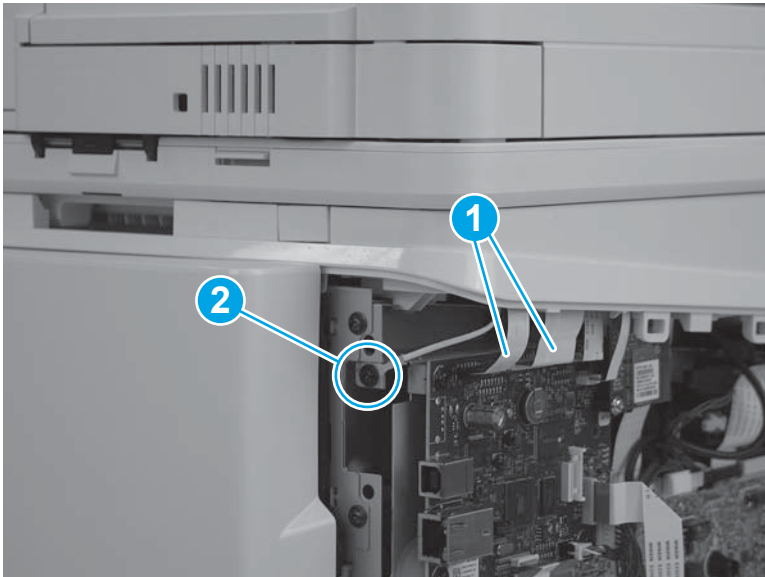
- Open the scanner assembly fully, lower the assembly onto the chassis, and then slide the assembly in the direction indicated.

Figure 1-543 Install the M274, M277 scanner (1 of 4)



2. On the left side of the printer, connect two connectors (callout 1) and install one screw (callout 2).

Figure 1-544 Install the M274, M277 scanner (2 of 4)



3. On the scanner bed, snap the scanner cable cover in place.

Figure 1-545 Install the M274, M277 scanner (3 of 4)



4. With the scanner lid lifted, inset the scanner support arm pin (callout 1), and then rotate the tab in the direction indicated until it snaps into the slot.

Figure 1-546 Install the M274, M277 scanner (4 of 4)



Step 12: Install the left cover

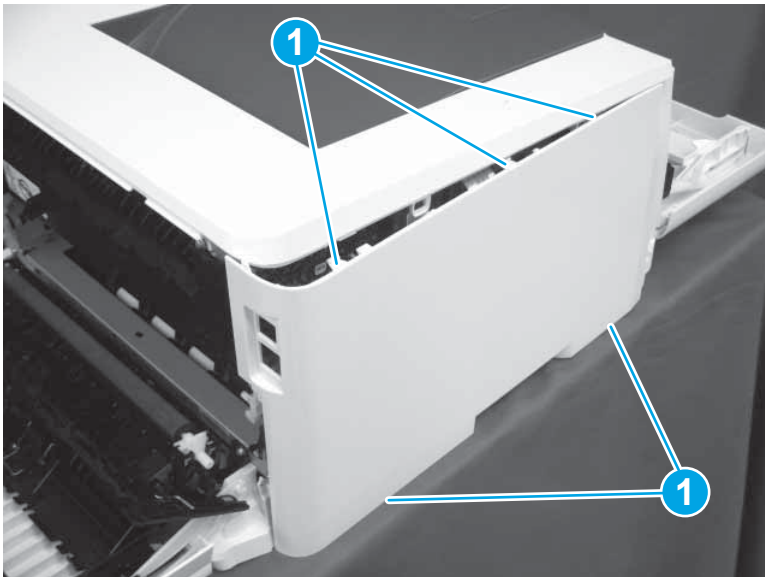
1. Engage the bottom front cover tab in the chassis, and then raise the top part of the cover to set the front tabs in place.

Figure 1-547 Install the left cover (1 of 3)



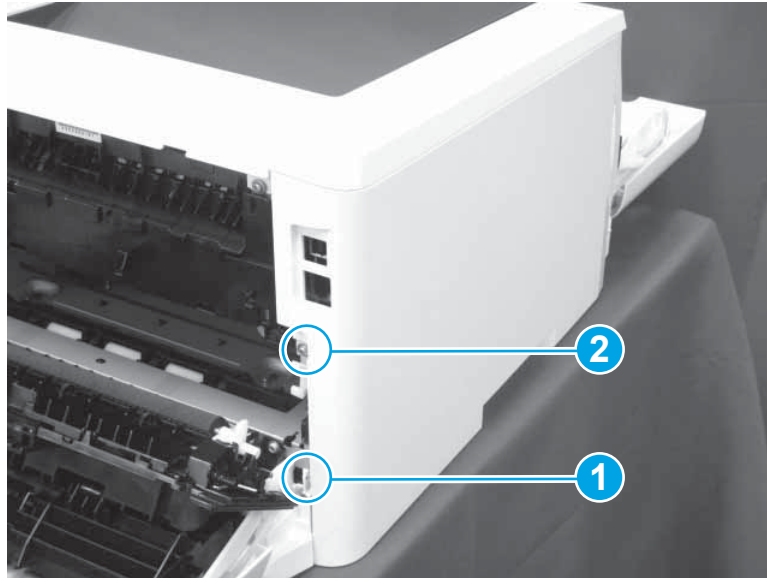
2. Working from the front edge to the back edge, engage five tabs (callout 1) along the top and bottom of the cover.

Figure 1-548 Install the left cover (2 of 3)



3. At the rear of the printer, engage one tab (callout 1), and then install one screw (callout 2).

Figure 1-549 Install the left cover (3 of 3)



Step 13: Install the right cover

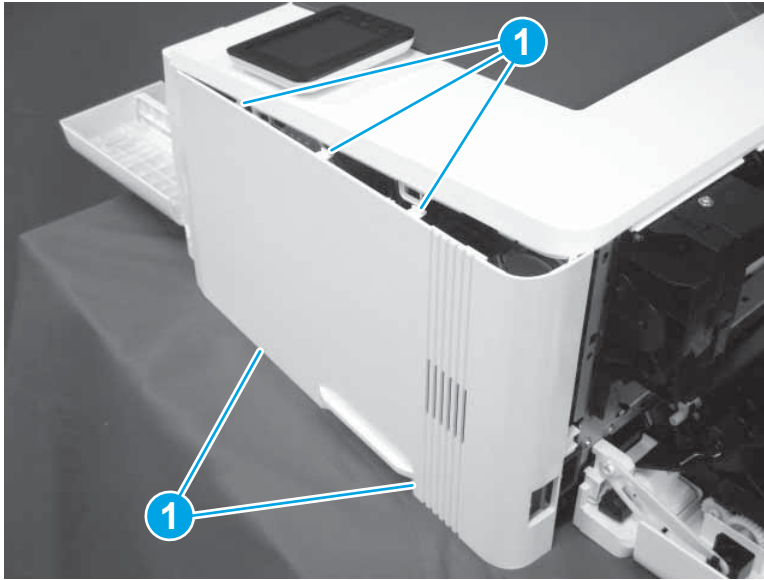
1. At the front of the printer, position two tabs (callout 1) in the chassis.

Figure 1-550 Install the right cover (1 of 3)



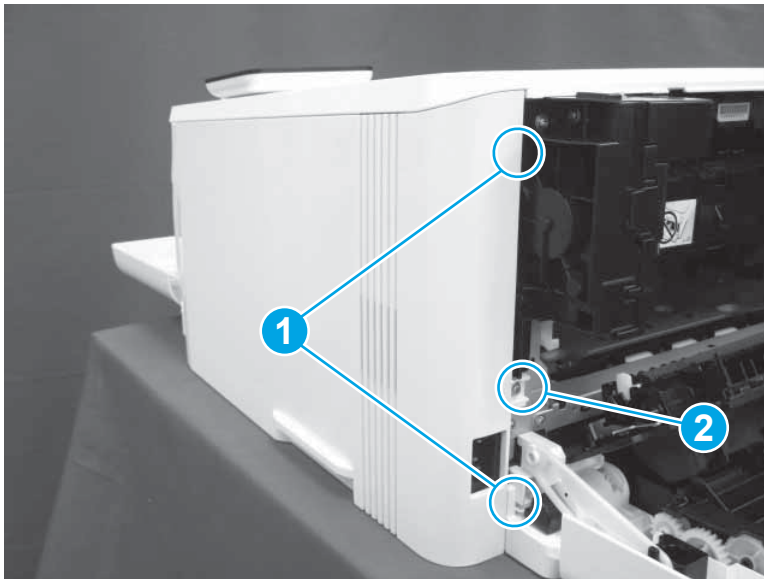
2. Moving from the front to the back, set five tabs (callout 1) along the top and bottom of the cover.

Figure 1-551 Install the right cover (2 of 3)



3. At the rear of the printer, set two tabs (callout 1), and then install one screw (callout 2).

Figure 1-552 Install the right cover (3 of 3)



Step 14: Close the front door and rear door or duplexer door

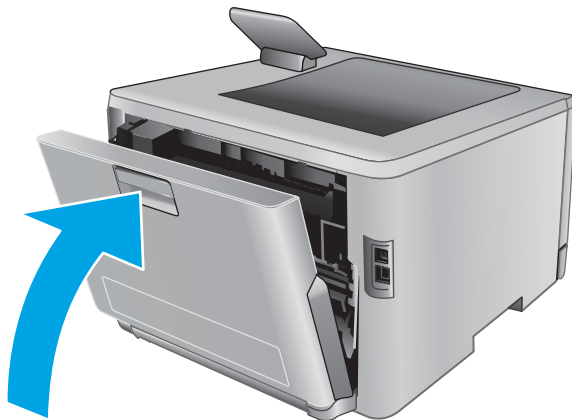
1. Close the front door.

Figure 1-553 Close the front door and rear door or duplexer door (1 of 2)



2. Close the rear door (simplex models) or duplexer door (duplex models).

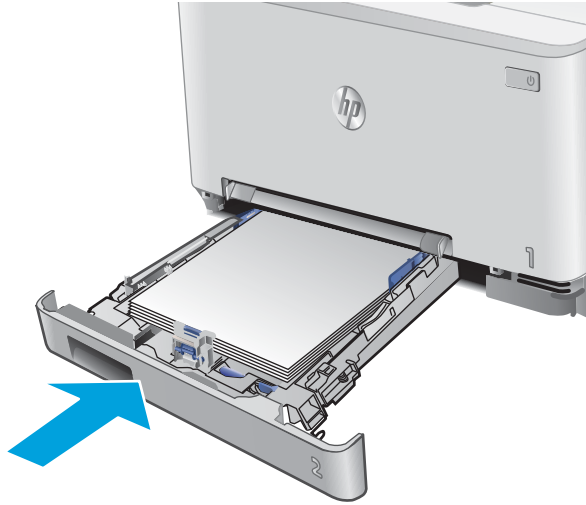
Figure 1-554 Close the front door and rear door or duplexer door (2 of 2)



Step 15: Install Tray 2

- ▲ Align Tray 2 with the tray cavity, and then push the tray into the printer.

Figure 1-555 Install Tray 2



Removal and replacement: Output sensor assembly (duplex models)


- [Introduction](#)
- [Step 1: Remove Tray 2](#)
- [Step 2: Open the front door and rear door or duplexer door](#)
- [Step 3: Remove the right cover](#)
- [Step 4: Remove the left cover](#)
- [Step 5: Remove the scanner \(M274, M277 models\)](#)
- [Step 6: Remove the top cover](#)
- [Step 7: Remove the output sensor assembly](#)
- [Step 8: Unpack a replacement output sensor assembly](#)
- [Step 9: Install the output sensor assembly](#)
- [Step 10: Install the top cover](#)
- [Step 11: Install the scanner \(M274, M277 models\)](#)
- [Step 12: Install the left cover](#)
- [Step 13: Install the right cover](#)
- [Step 14: Close the front door and rear door or duplexer door](#)
- [Step 15: Install Tray 2](#)

Introduction

This document provides the procedures to remove and replace the output sensor assembly (M252dw, M274 and M277 models only).

Before you begin

- Turn off the printer.
- Disconnect the power cable.

 **WARNING!** To avoid damage to the printer, turn the printer off, wait 30 seconds, and then remove the power cord before attempting to service the printer.

- Use the table below to identify the correct part number for your printer. To order the part, go to www.hp.com/buy/parts.

Output sensor assembly part number

RM2-5895-000CNOutput sensor assembly (M252dw, M274 and M277 models only)

Required tools

- #2 Phillips screwdriver with a magnetic tip

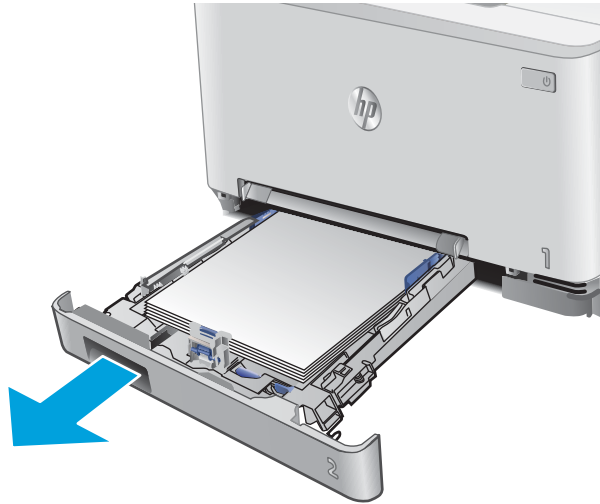
After performing service

- Connect the power cable.
- Use the power switch to turn the power on.

Step 1: Remove Tray 2

- ▲ Using the handle on the face of Tray 2, pull the tray completely out of the printer.

Figure 1-556 Remove Tray 2



Step 2: Open the front door and rear door or duplexer door

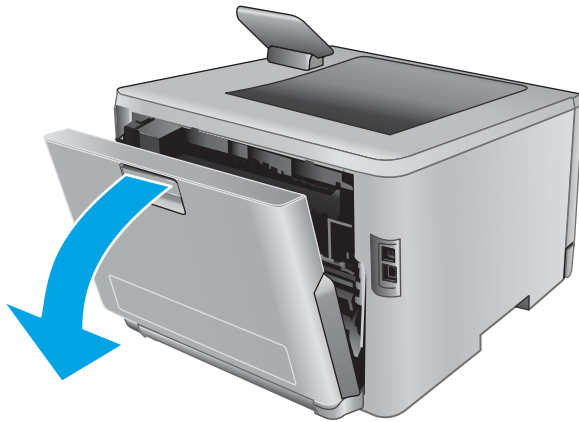
1. Open the front door.

Figure 1-557 Open the front door and rear door or duplexer door (1 of 2)



2. Use the latch release to open the rear door (simplex models) or duplexer door (duplex models).

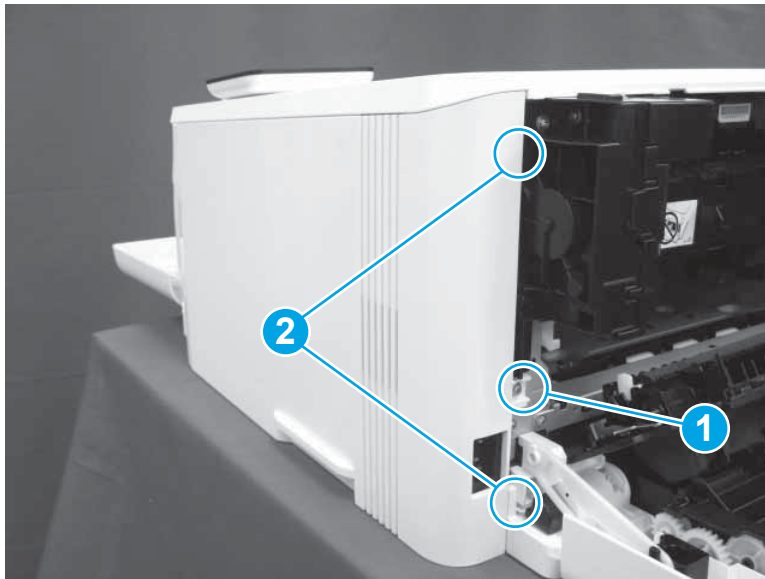
Figure 1-558 Open the front door and rear door or duplexer door (2 of 2)



Step 3: Remove the right cover

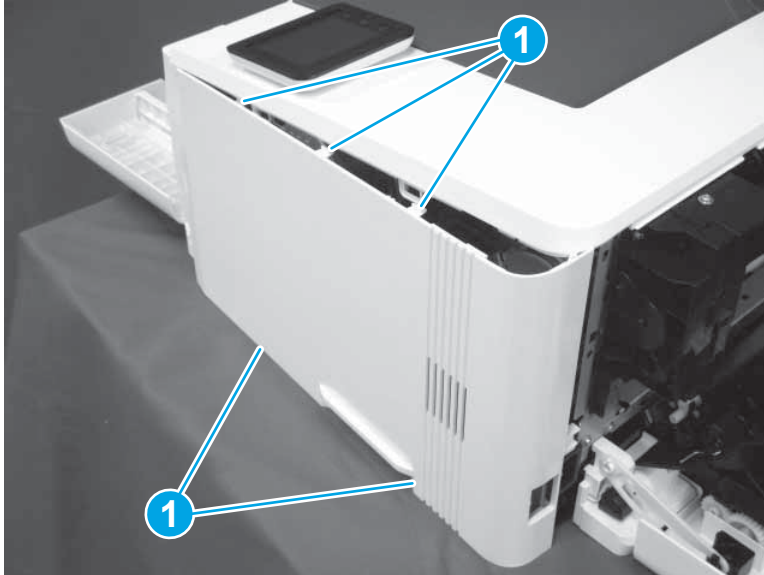
1. At the rear of the printer, remove one screw (callout 1), and then release two tabs (callout 2).

Figure 1-559 Remove the right cover (1 of 3)



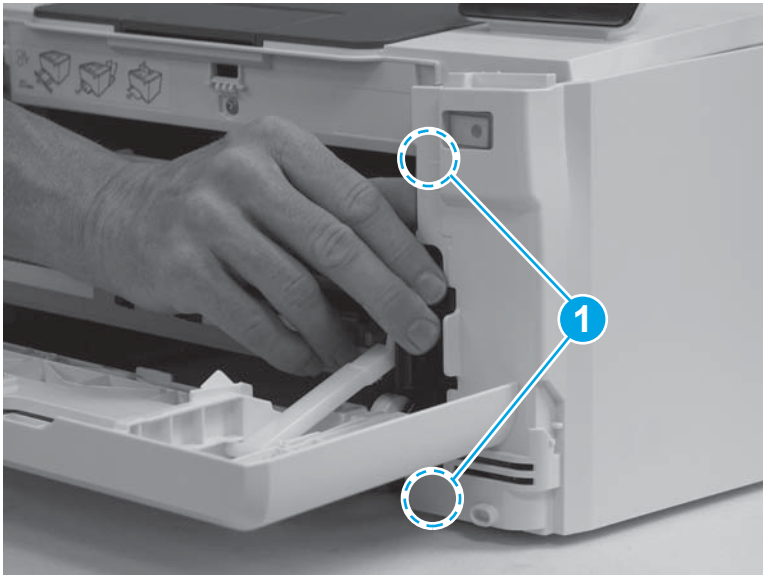
2. Release five tabs (callout 1) along the top and bottom of the cover. Releasing the top tabs first can ease this task.

Figure 1-560 Remove the right cover (2 of 3)



3. At the front of the printer, release two tabs (callout 1), and then remove the cover from the printer.

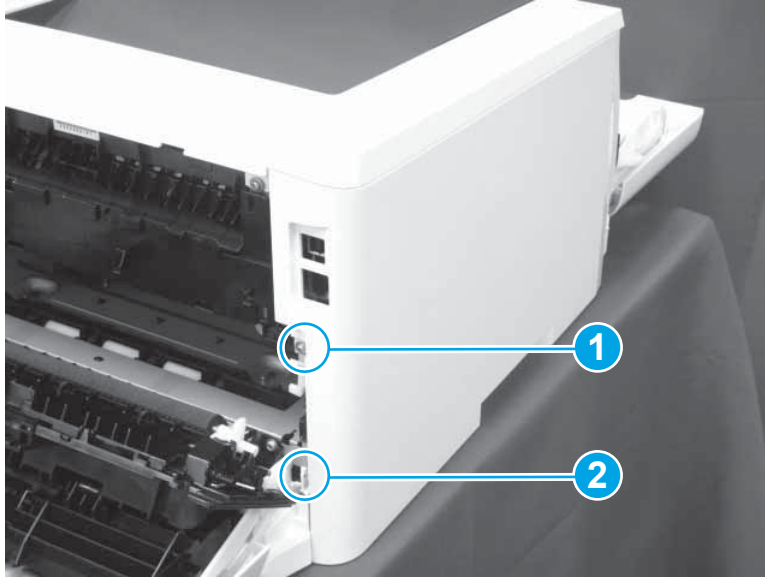
Figure 1-561 Remove the right cover (3 of 3)



Step 4: Remove the left cover

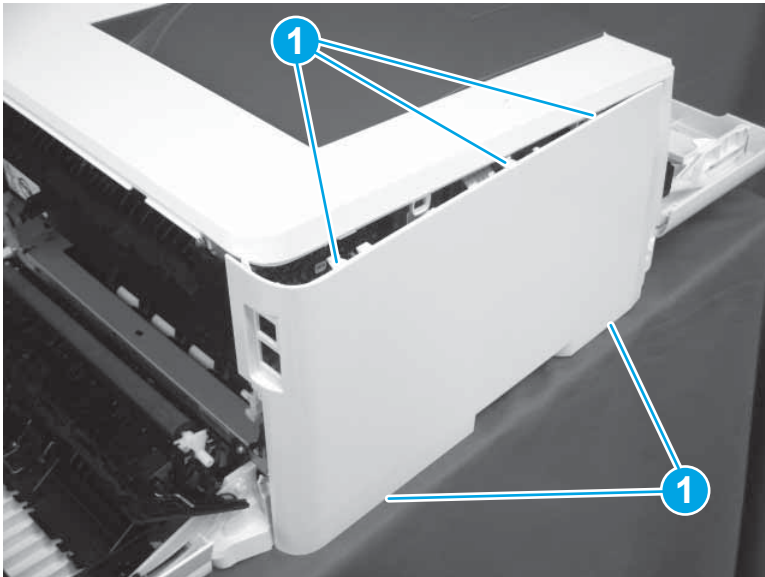
1. At the rear of the printer, remove one screw (callout 1), and then release one tab (callout 2).

Figure 1-562 Remove the left cover (1 of 3)



2. Starting at the top edge, release five tabs (callout 1)

Figure 1-563 Remove the left cover (2 of 3)



3. Move the printer so that the left cover is over the edge of the work surface. Pull the top of the cover down at approximately 45-degree angle to remove it.

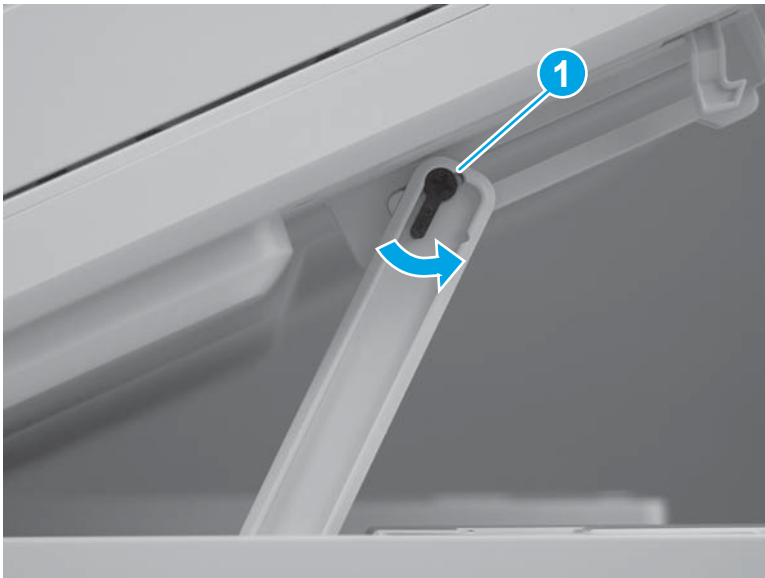
Figure 1-564 Remove the left cover (3 of 3)



Step 5: Remove the scanner (M274, M277 models)

1. With the scanner lid lifted, release the tab on the scanner support arm from the slot and rotate the support arm in the direction indicated, and then remove the pin (callout 1).

Figure 1-565 Remove the M274, M277 scanner (1 of 4)



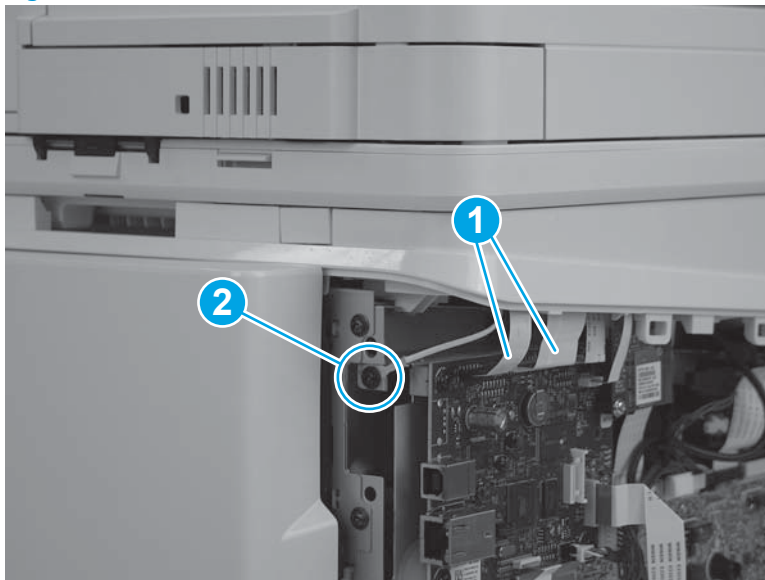
2. On the scanner bed, use a flat-blade screwdriver to remove the scanner cable cover.

Figure 1-566 Remove the M274, M277 scanner (2 of 4)



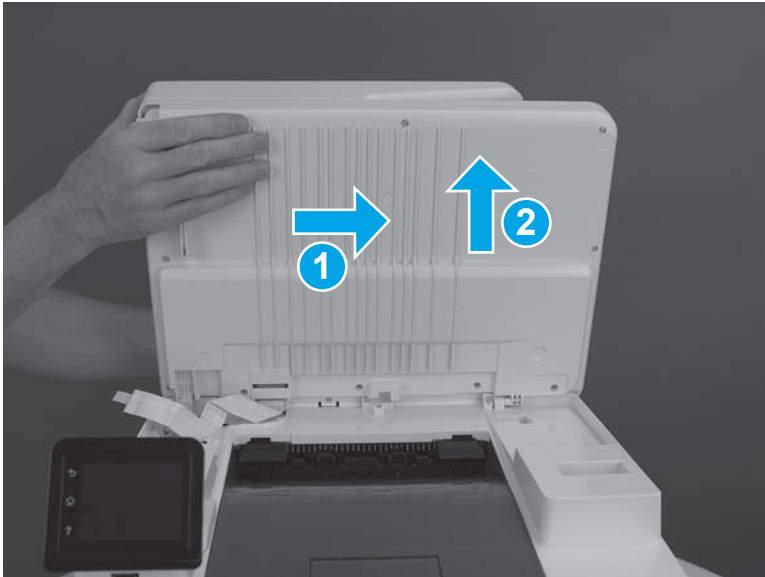
3. On the left side of the printer, disconnect two connectors (callout 1) and remove one screw (callout 2).

Figure 1-567 Remove the M274, M277 scanner (3 of 4)



4. Open the scanner assembly fully, slide the assembly in the direction indicated, and then lift the assembly off of the chassis.

Figure 1-568 Remove the M274, M277 scanner (4 of 4)

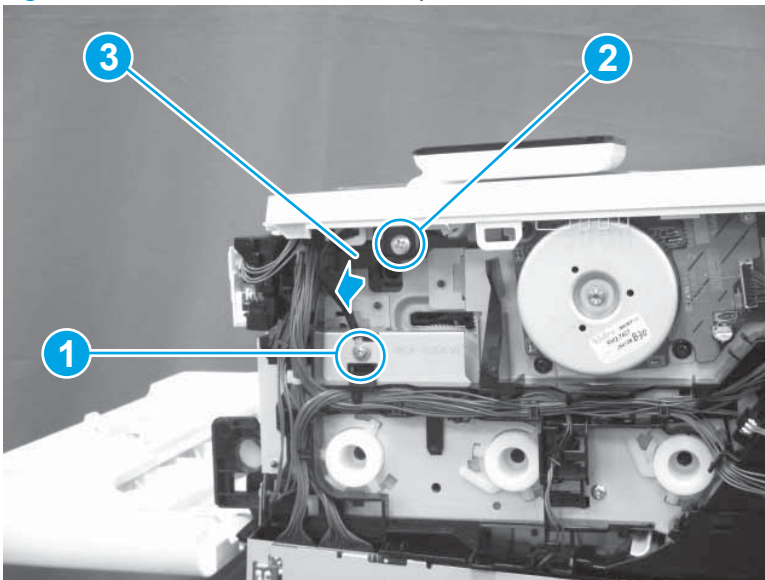


Step 6: Remove the top cover

Remove the M252dw top cover

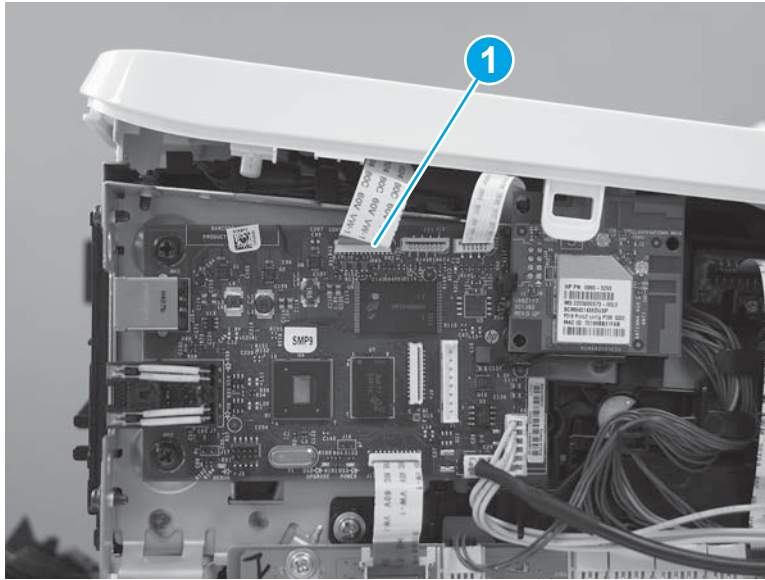
1. On the right side of the printer, remove one screw (callout 1), remove one larger M4 tapping screw (callout 2), and pull the plastic guide (callout 3) away from the printer to separate it from the chassis.

Figure 1-569 Remove the M252dw top cover (1 of 3)



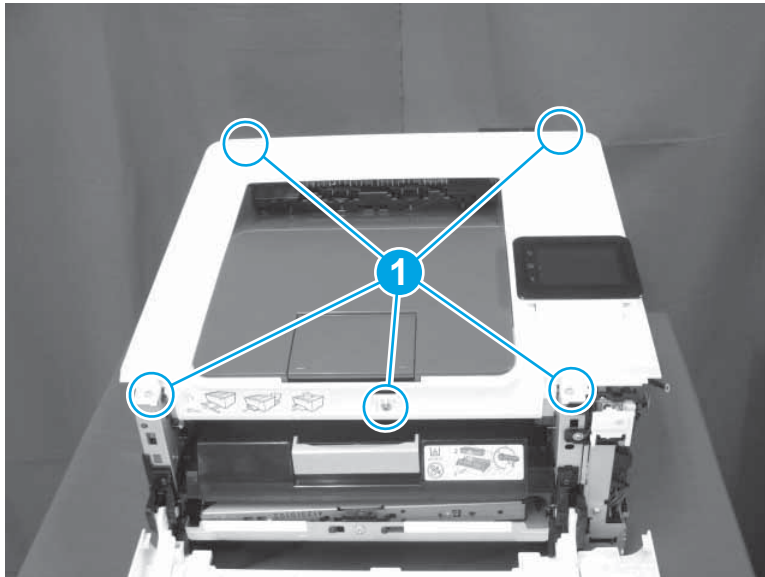
2. On the left side of the printer, on the formatter PCA, disconnect one flat cable (callout 1).

Figure 1-570 Remove the M252dw top cover (2 of 3)



3. Remove five screws (callout 1) — three screws at the front and two screws at the rear — and then remove the cover.

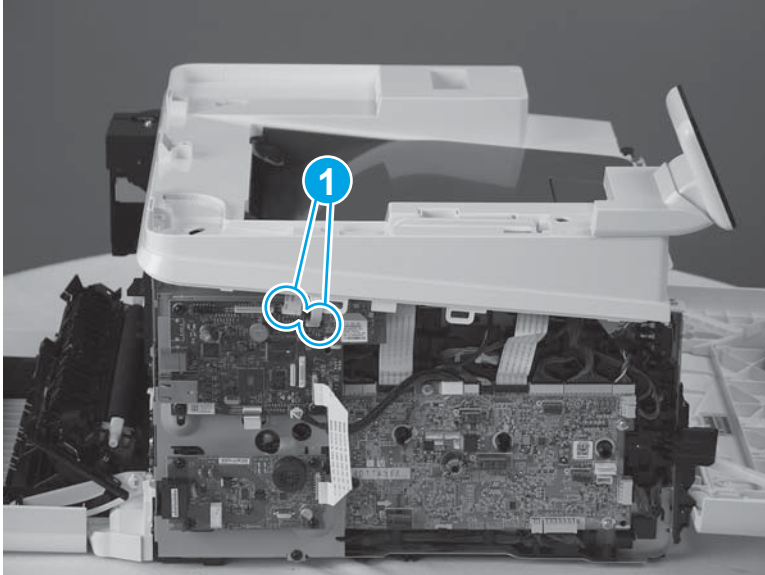
Figure 1-571 Remove the M252dw top cover (3 of 3)



Remove the M274, M277 top cover

1. On the left side of the printer, on the formatter PCA, disconnect two connectors (callout 1).

Figure 1-572 Remove the M274, M277 top cover (1 of 10)

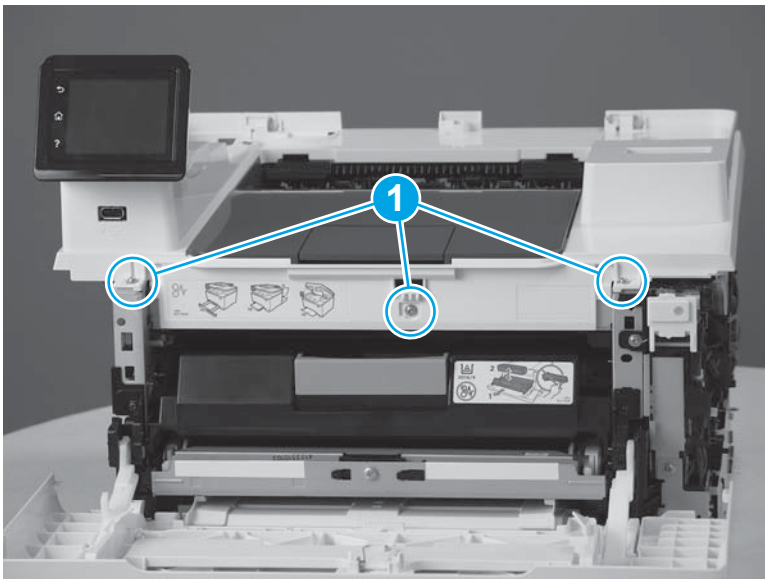


2. At the front of the printer, remove three screws (callout 1).



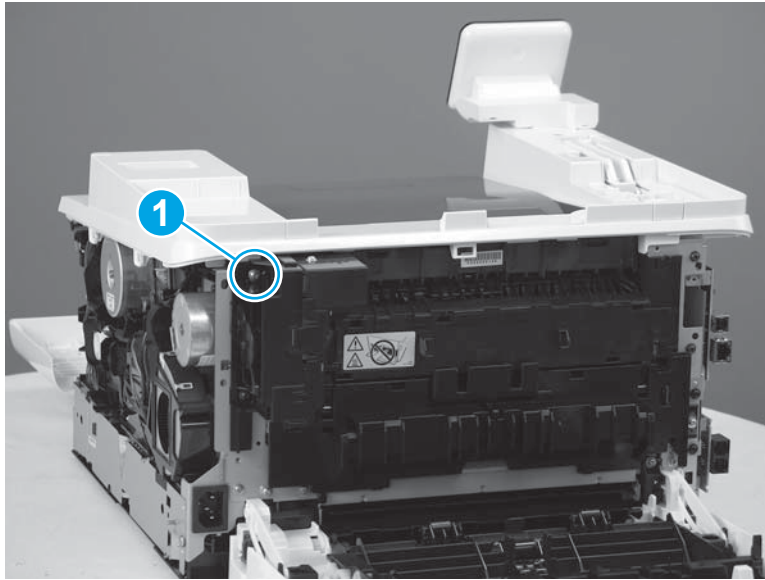
NOTE: To remove the screw beneath the control panel, you might need to use an offset screwdriver.

Figure 1-573 Remove the M274, M277 top cover (2 of 10)



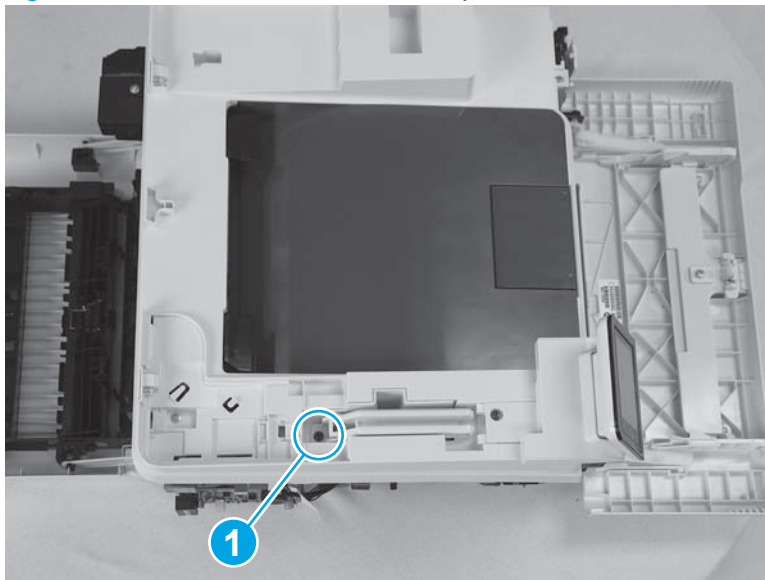
3. At the rear of the printer, remove one screw (callout 1).

Figure 1-574 Remove the M274, M277 top cover (3 of 10)



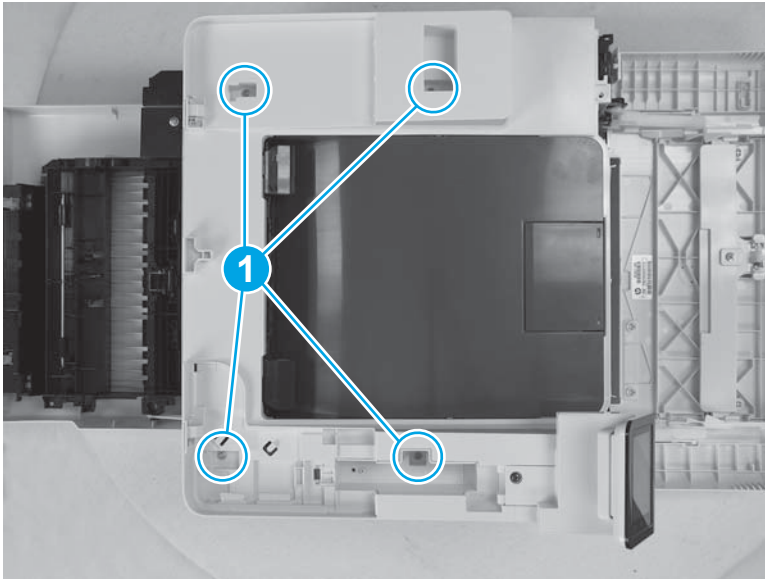
4. At the top of the printer, at the base of the scanner support arm, remove one screw (callout 1).

Figure 1-575 Remove the M274, M277 top cover (4 of 10)



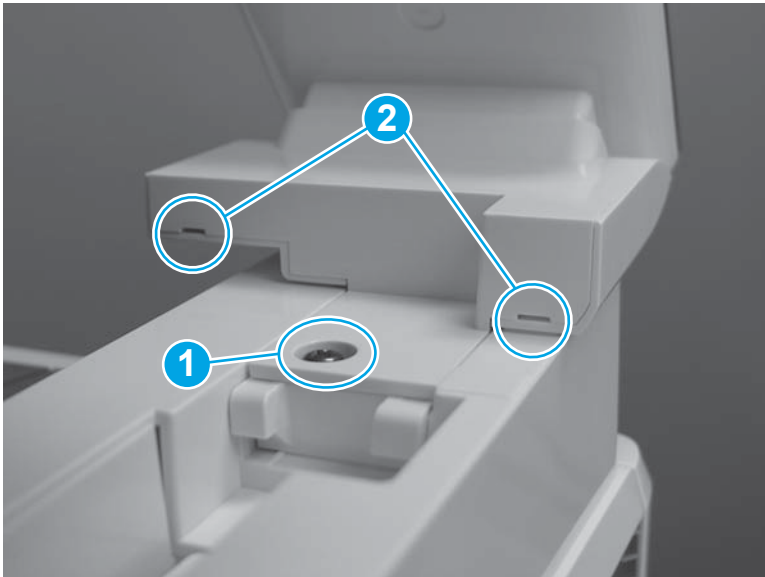
5. At the top of the printer, remove four more screws (callout 1).

Figure 1-576 Remove the M274, M277 top cover (5 of 10)



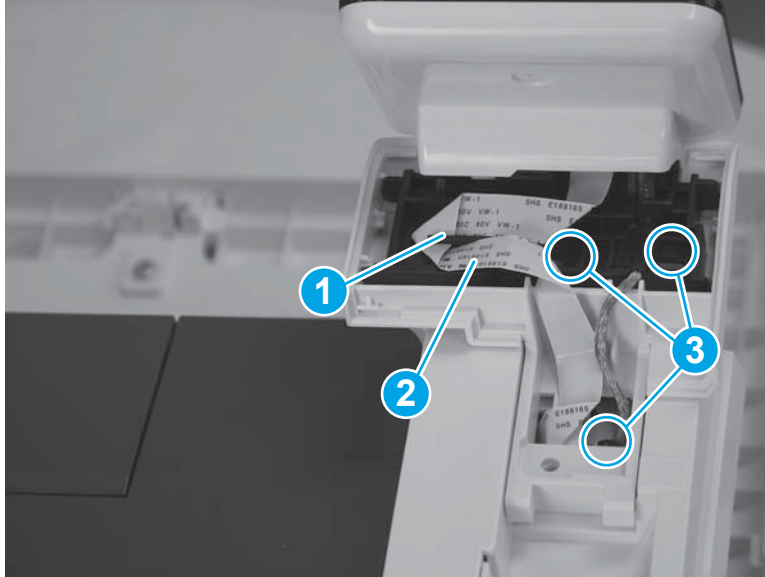
6. Behind the control panel, remove one screw (callout 1), and then use a small flat-blade screwdriver at two pry points (callout 2) to release the control-panel cover from the top cover.

Figure 1-577 Remove the M274, M277 top cover (6 of 10)



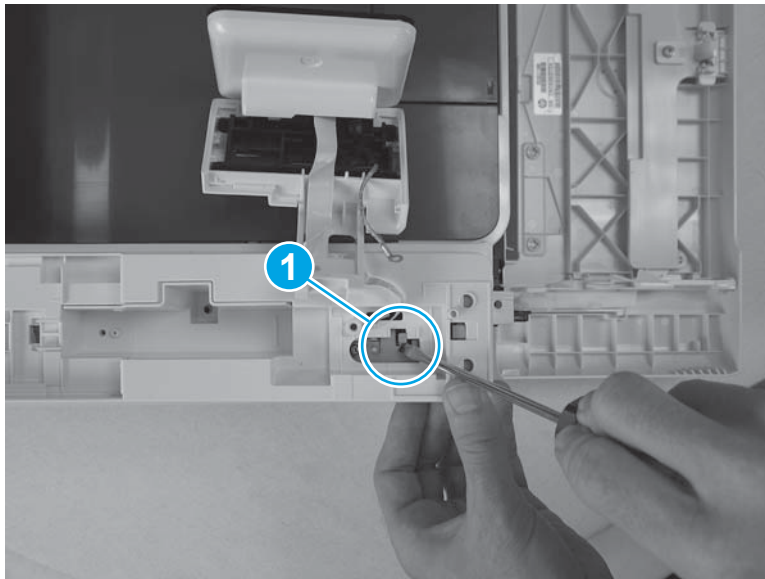
7. Unroute the flat cable (callout 1) from the wiring harness (callout 2), move the cable out of the way, and then remove three screws (callout 3).

Figure 1-578 Remove the M274, M277 top cover (7 of 10)



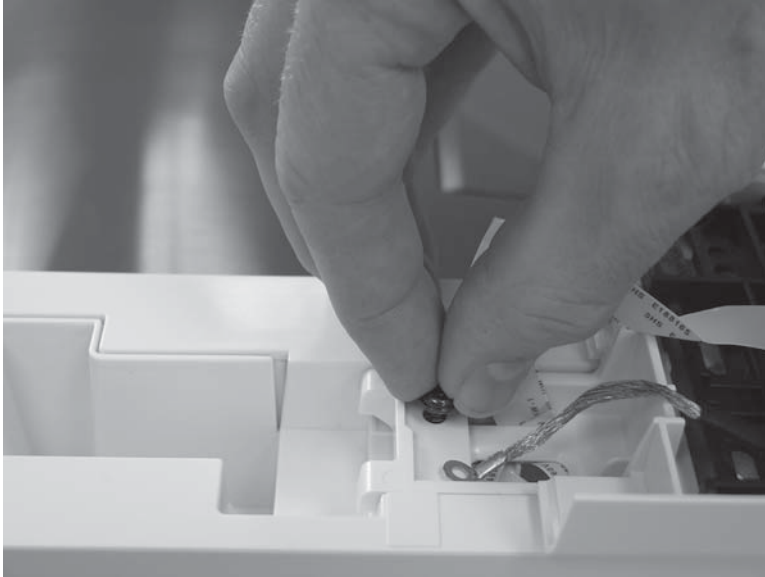
8. Use a small flat-blade screwdriver to release two tabs (callout 1) that connect the top cover to the chassis.

Figure 1-579 Remove the M274, M277 top cover (8 of 10)



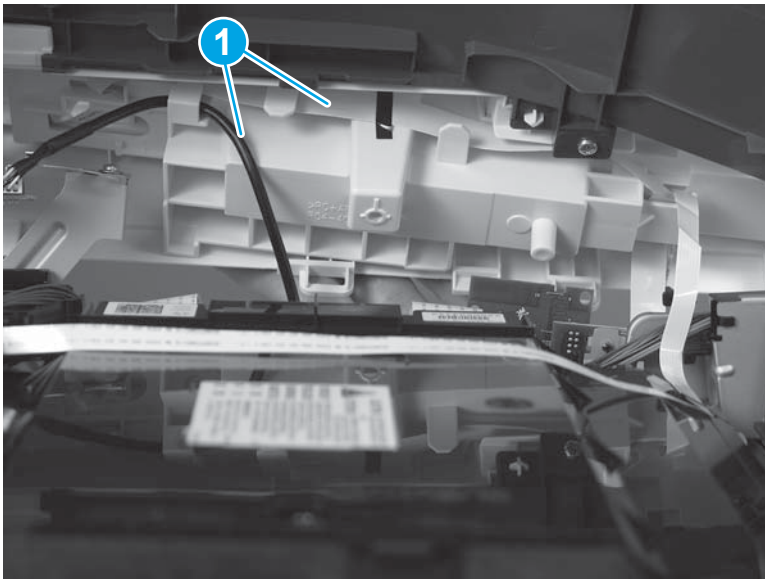
9. With your hand, refasten the screw that was previously removed to temporarily reattach the control panel to the top cover. Doing this should protect the flat cable from being damaged.

Figure 1-580 Remove the M274, M277 top cover (9 of 10)



10. Tilt the top cover. Underneath the cover, unroute the cables (callout 1), and then lift the cover away from the printer.

Figure 1-581 Remove the M274, M277 top cover (10 of 10)



Step 7: Remove the output sensor assembly

- ▲ At the top of the output bin, disconnect one connector (callout 1), release two tabs (callout 2), and then remove the output sensor assembly (callout 3).


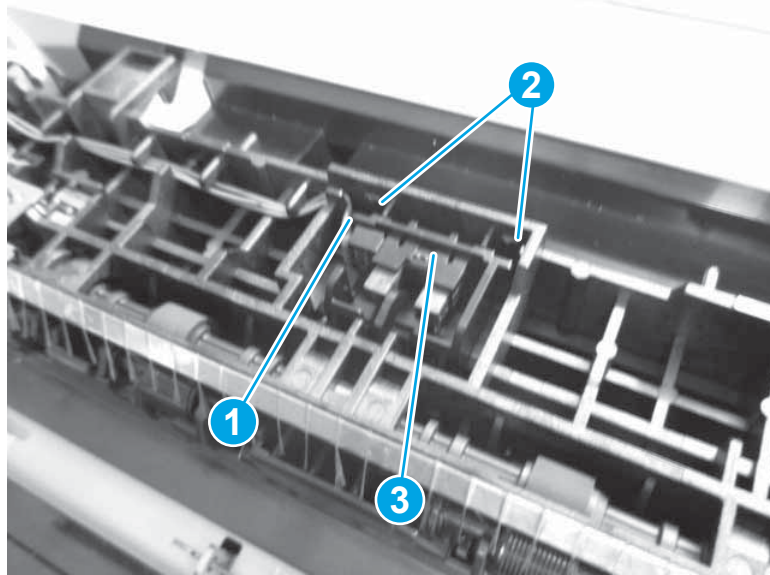
 **NOTE:** Unrouting the cable from the cable guides might make disconnecting the connector (callout 1) easier.

Figure 1-582 Remove the output sensor assembly



Step 8: Unpack a replacement output sensor assembly

Remove the new output sensor assembly from its package. Save all packaging for recycling the used part.

For complete information on HP's recycling programs, go to <http://www8.hp.com/us/en/hp-information/environment/product-recycling.html>.


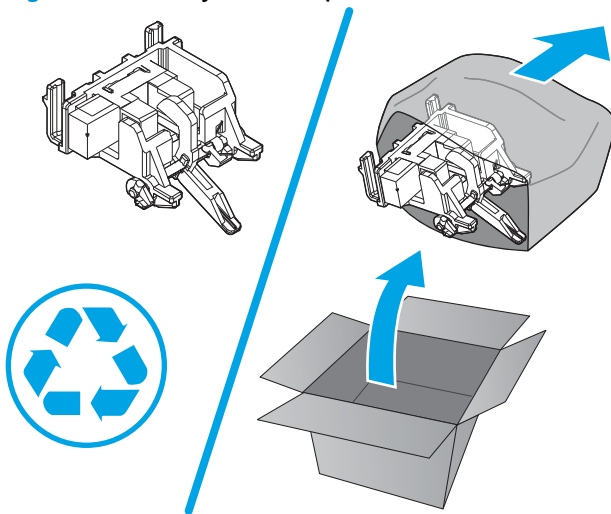
 **NOTE:** HP recommends responsible disposal of the defective assembly.

Figure 1-583 Recycle and unpack



Step 9: Install the output sensor assembly

- ▲ At the top of the output bin, set the output sensor assembly (callout 1) in place, engage two tabs (callout 2), and then connect one connector (callout 3).


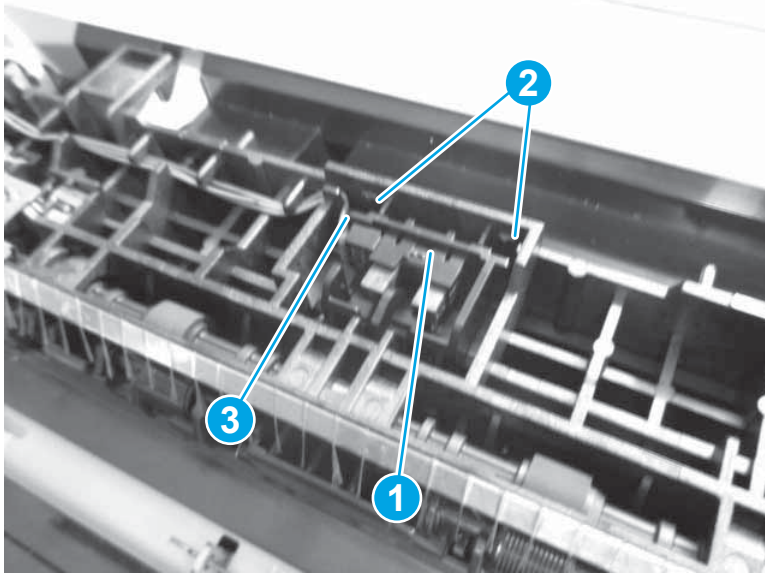
 **NOTE:** Unrouting the cable from the cable guides might make connecting the connector (callout 3) easier.

Figure 1-584 Install the output sensor assembly



Step 10: Install the top cover

Install the M252dw top cover

1. Set the cover in place, and then install five screws (callout 1) — three screws at the front and two screws at the rear.


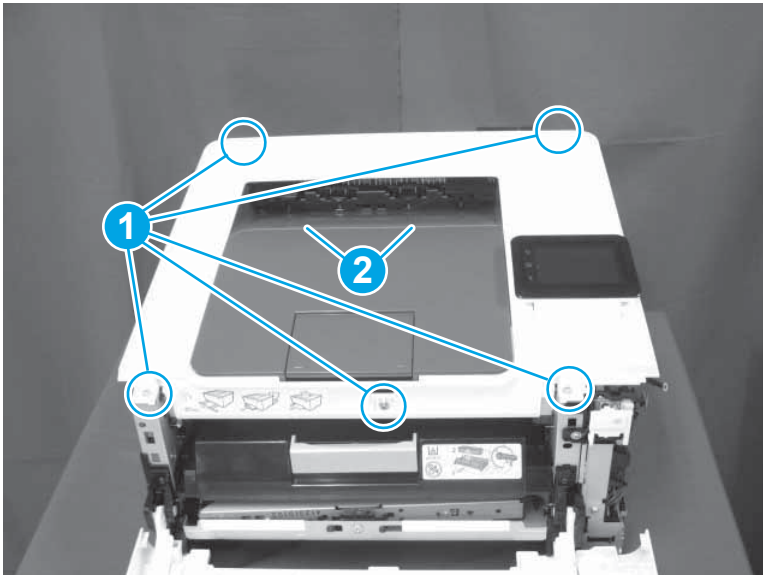
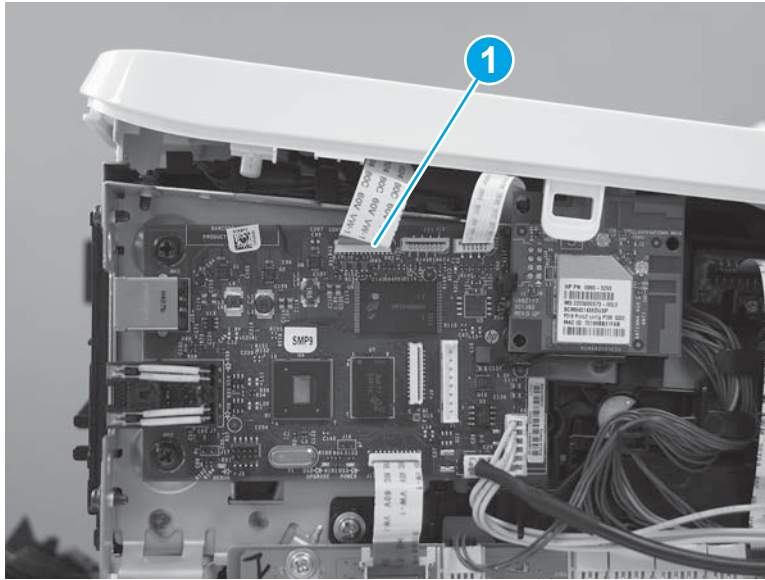
 **IMPORTANT:** Before installing the screws, press down along the rear edge of the cover (callout 2) to engage two retaining tabs (the tabs should snap into place).

Figure 1-585 Install the M252dw top cover (1 of 3)



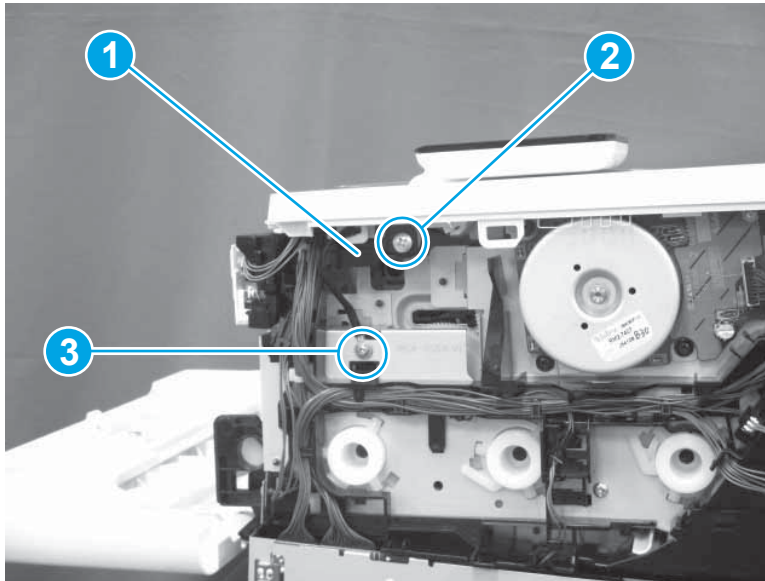
2. On the left side of the printer, on the formatter PCA, connect one flat cable (callout 1).

Figure 1-586 Install the M252dw top cover (2 of 3)



3. On the right side of the printer, push the plastic guide (callout 1) into the chassis, install one M4 tapping screw (callout 2), and install one screw (callout 3) to fasten the ground wire to the chassis.

Figure 1-587 Install the M252dw top cover (3 of 3)



Install the M274, M277 top cover

1. Set the cover in place on the chassis, and then tilt the top cover. Underneath the cover, route the cables (callout 1) through their respective guides.


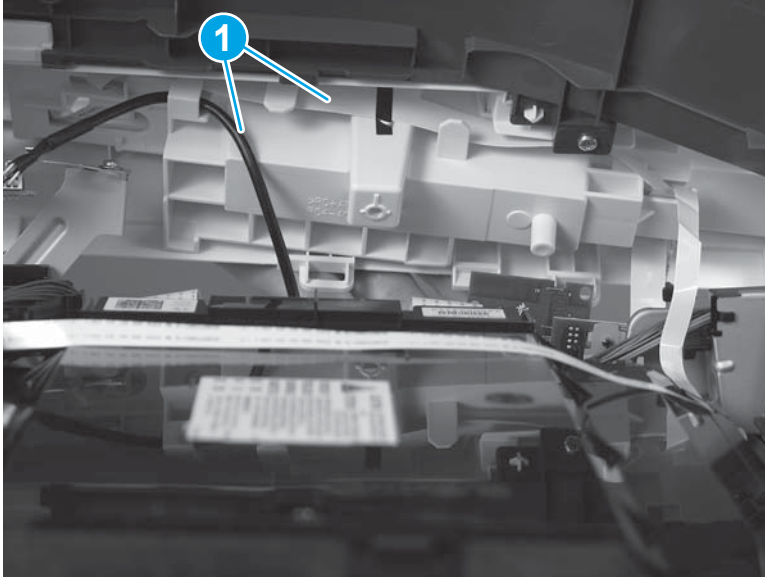
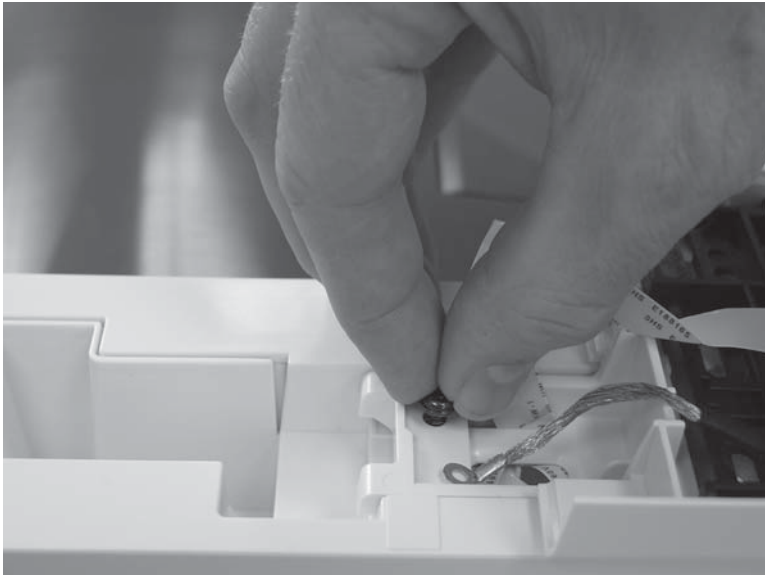
 **IMPORTANT:** After placing the cover on the printer, press down along the rear edge of the cover to engage two retaining tabs (the tabs should snap into place).

Figure 1-588 Install the M274, M277 top cover (1 of 10)



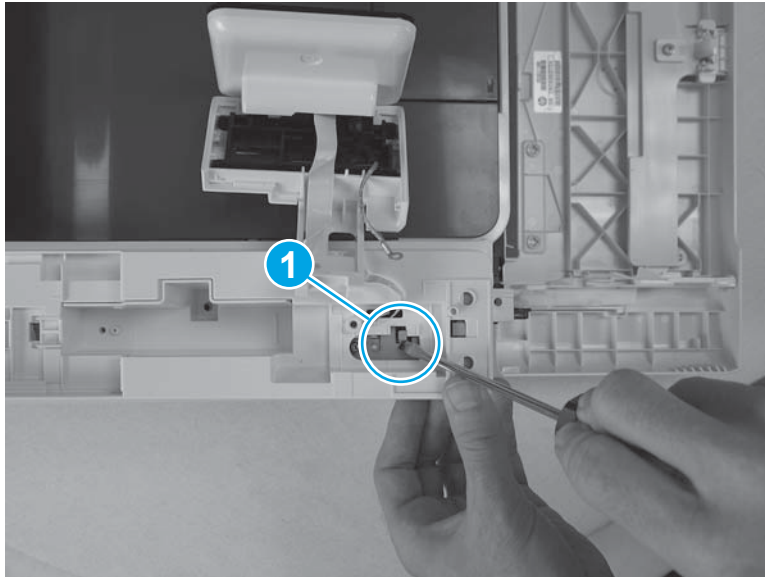
2. With your hand, unfasten the screw that was used to temporarily reattach the control panel to the top cover. Pull the control panel away from the cover to expose the tabs underneath.

Figure 1-589 Install the M274, M277 top cover (2 of 10)



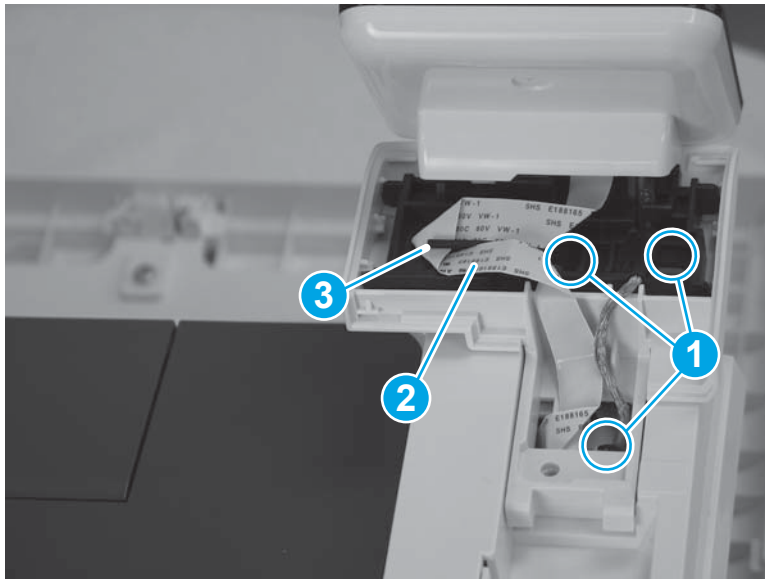
3. Use a small flat-blade screwdriver to engage two tabs (callout 1) that connect the top cover to the chassis.

Figure 1-590 Install the M274, M277 top cover (3 of 10)



4. Set the control-panel assembly in place, install three screws (callout 1), and then route the flat cable (callout 2) into the cable guide (callout 3).

Figure 1-591 Install the M274, M277 top cover (4 of 10)



5. Behind the control panel, set the control-panel cover in place, and then install one screw (callout 1).


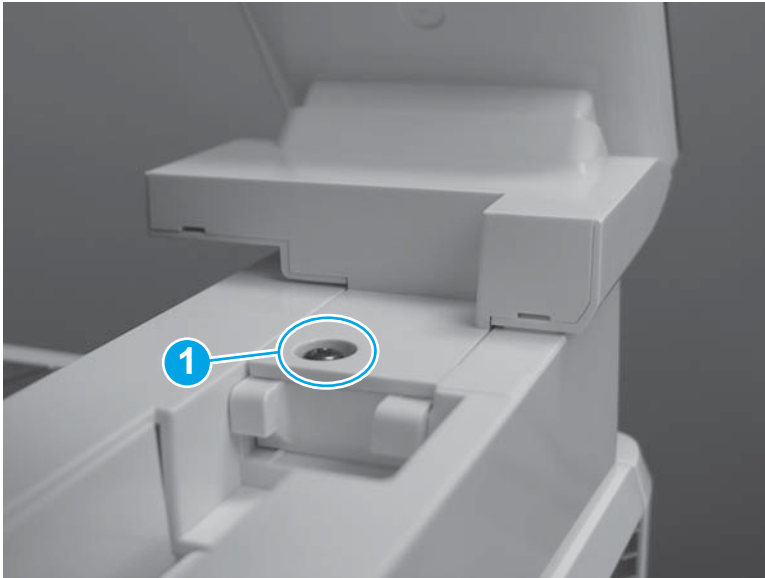
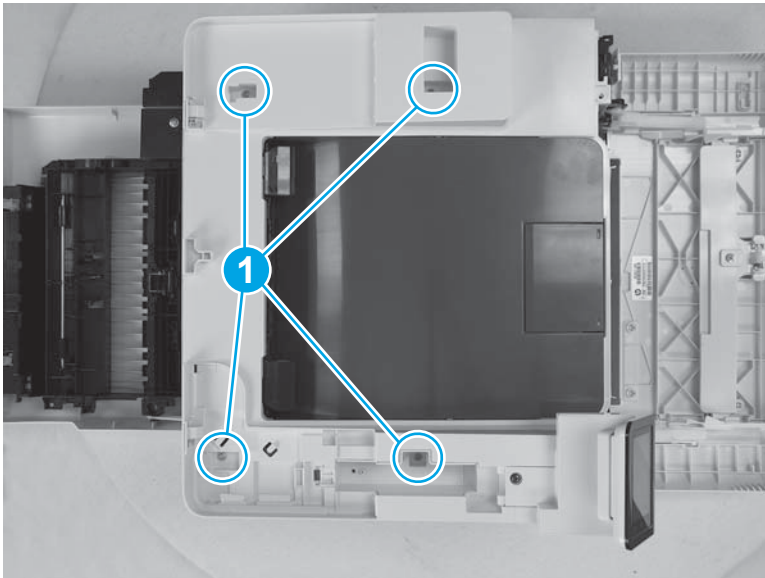
 **IMPORTANT:** Make sure that the front edge of the control panel is correctly installed and that it snaps into place.

Figure 1-592 Install the M274, M277 top cover (5 of 10)



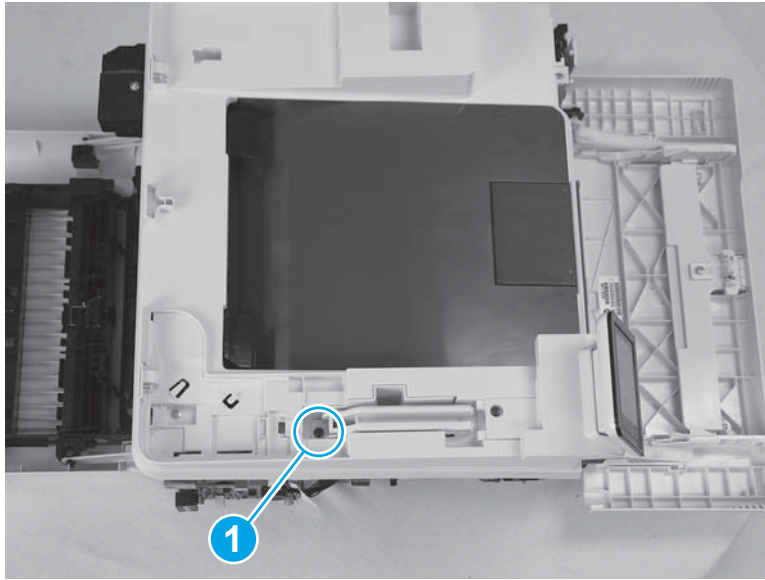
6. At the top of the printer, install four screws (callout 1).

Figure 1-593 Install the M274, M277 top cover (6 of 10)



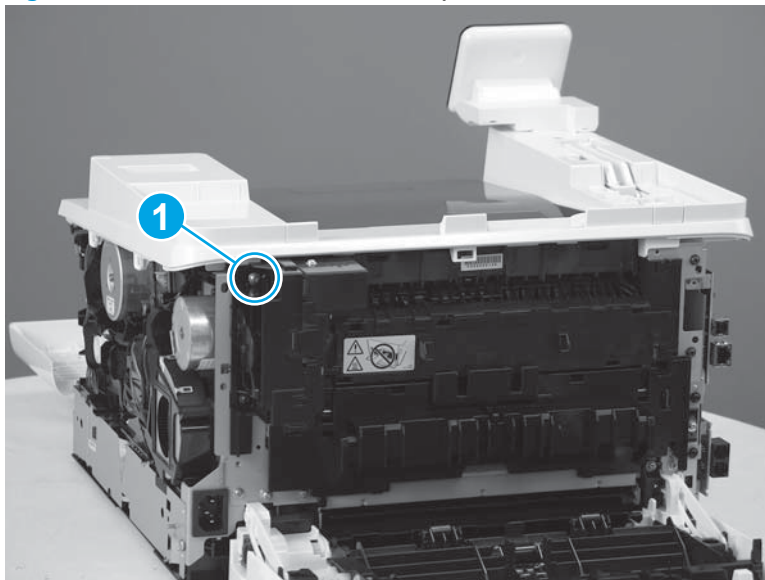
7. At the top of the printer, at the base of the scanner support arm, install one screw (callout 1).

Figure 1-594 Install the M274, M277 top cover (7 of 10)



8. At the rear of the printer, install one screw (callout 1).

Figure 1-595 Install the M274, M277 top cover (8 of 10)



- At the front of the printer, install three screws (callout 1).


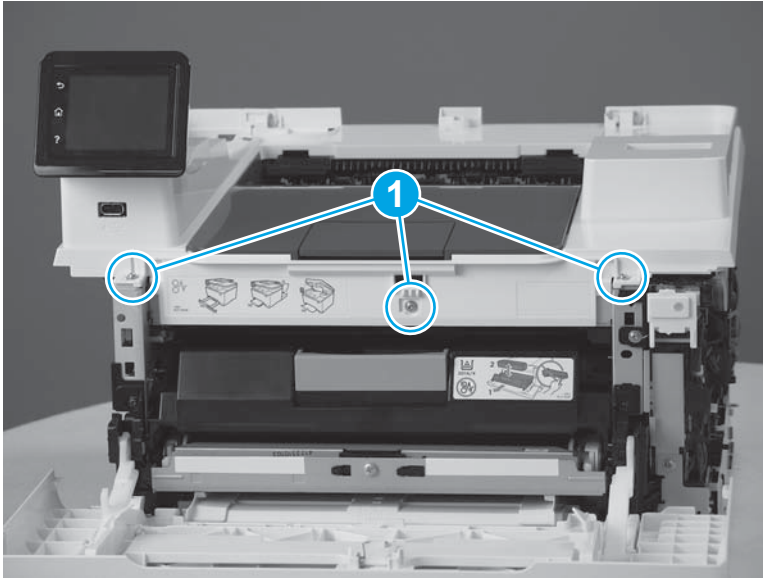
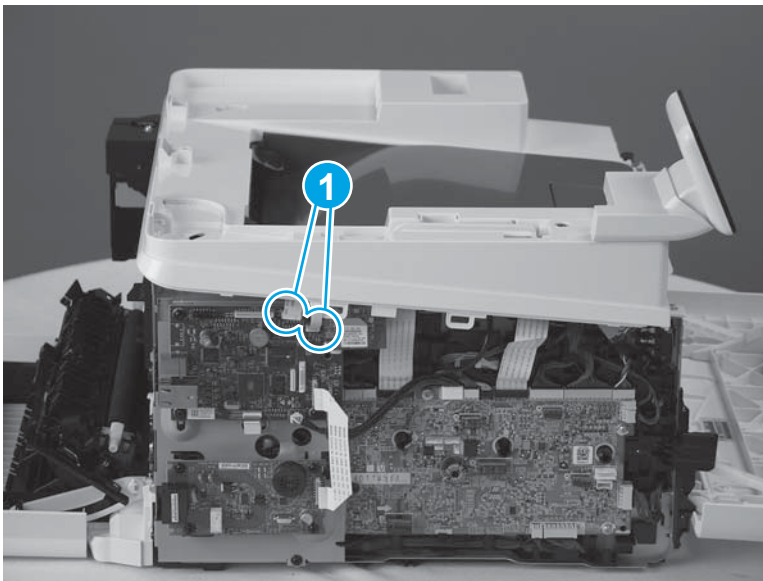
 **NOTE:** To install the screw beneath the control panel, you might need to use an offset screwdriver.

Figure 1-596 Install the M274, M277 top cover (9 of 10)



- On the left side of the printer, on the formatter PCA, connect two connectors (callout 1).

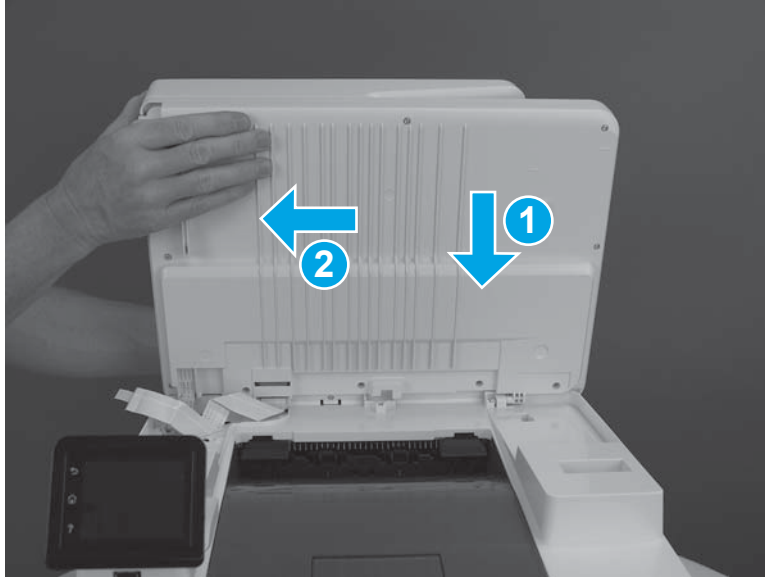
Figure 1-597 Install the M274, M277 top cover (10 of 10)



Step 11: Install the scanner (M274, M277 models)

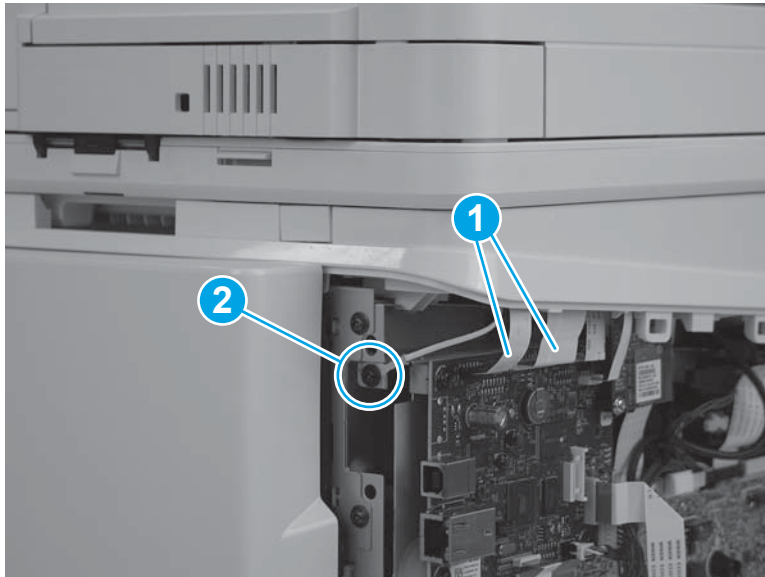
- Open the scanner assembly fully, lower the assembly onto the chassis, and then slide the assembly in the direction indicated.

Figure 1-598 Install the M274, M277 scanner (1 of 4)



2. On the left side of the printer, connect two connectors (callout 1) and install one screw (callout 2).

Figure 1-599 Install the M274, M277 scanner (2 of 4)



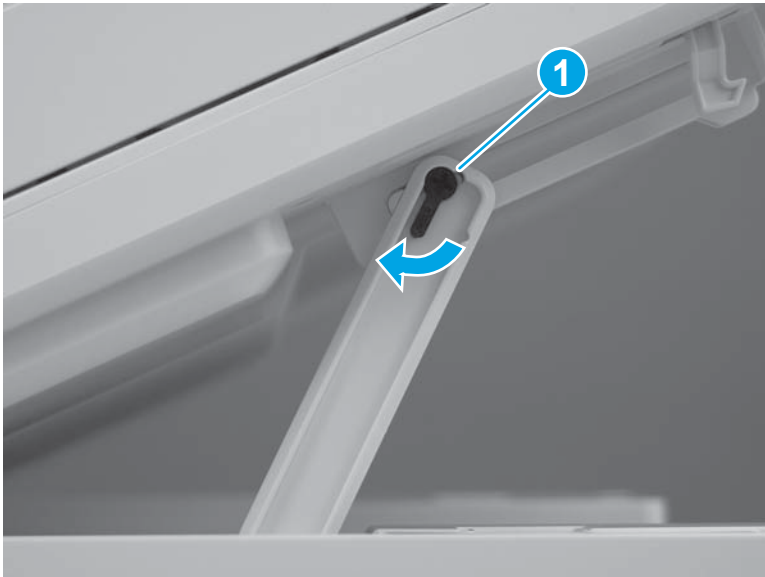
3. On the scanner bed, snap the scanner cable cover in place.

Figure 1-600 Install the M274, M277 scanner (3 of 4)



4. With the scanner lid lifted, inset the scanner support arm pin (callout 1), and then rotate the tab in the direction indicated until it snaps into the slot.

Figure 1-601 Install the M274, M277 scanner (4 of 4)



Step 12: Install the left cover

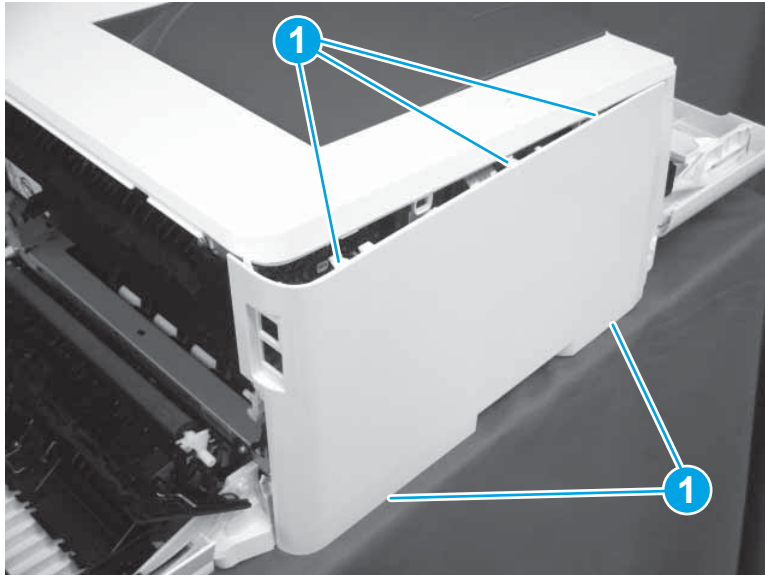
1. Engage the bottom front cover tab in the chassis, and then raise the top part of the cover to set the front tabs in place.

Figure 1-602 Install the left cover (1 of 3)



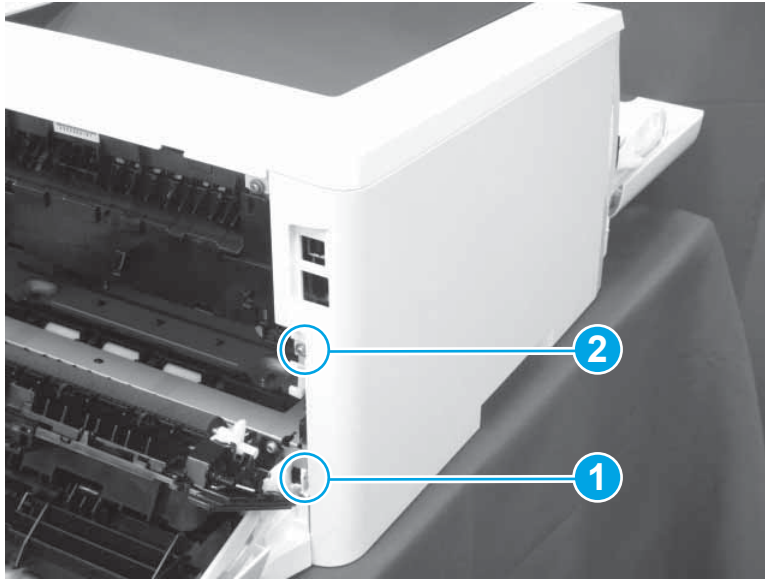
2. Working from the front edge to the back edge, engage five tabs (callout 1) along the top and bottom of the cover.

Figure 1-603 Install the left cover (2 of 3)



3. At the rear of the printer, engage one tab (callout 1), and then install one screw (callout 2).

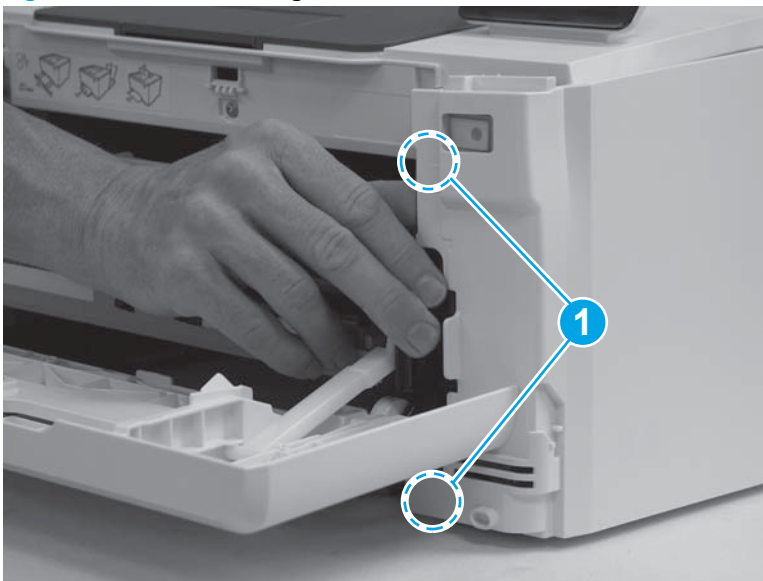
Figure 1-604 Install the left cover (3 of 3)



Step 13: Install the right cover

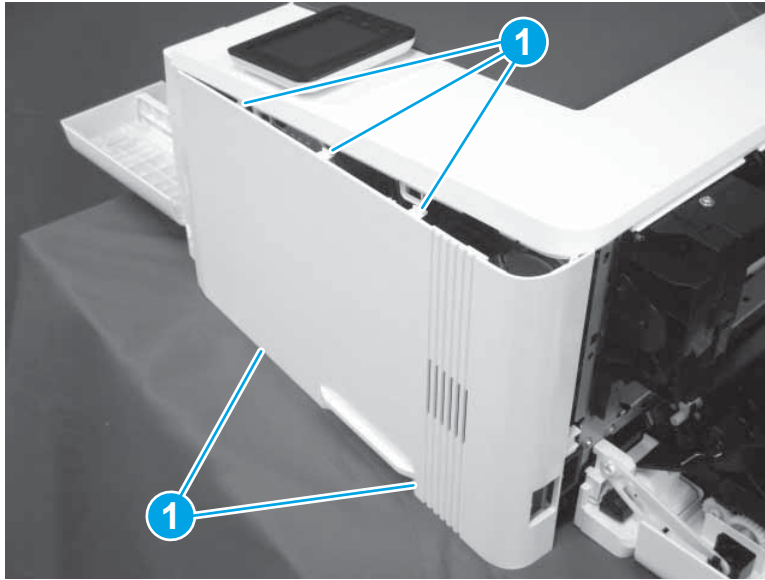
1. At the front of the printer, position two tabs (callout 1) in the chassis.

Figure 1-605 Install the right cover (1 of 3)



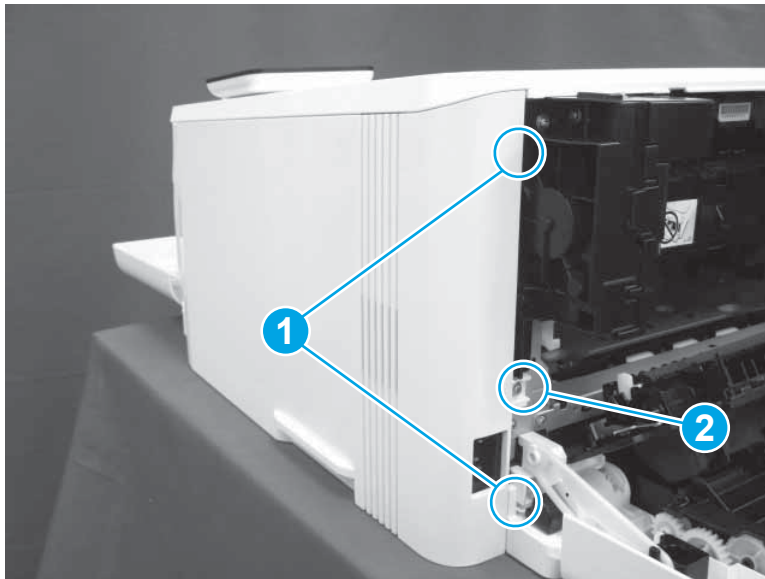
2. Moving from the front to the back, set five tabs (callout 1) along the top and bottom of the cover.

Figure 1-606 Install the right cover (2 of 3)



3. At the rear of the printer, set two tabs (callout 1), and then install one screw (callout 2).

Figure 1-607 Install the right cover (3 of 3)



Step 14: Close the front door and rear door or duplexer door

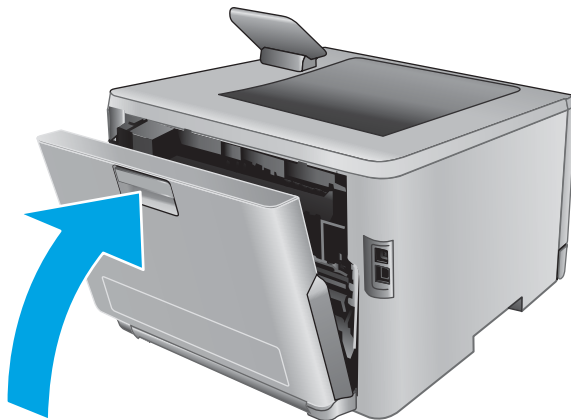
1. Close the front door.

Figure 1-608 Close the front door and rear door or duplexer door (1 of 2)



2. Close the rear door (simplex models) or duplexer door (duplex models).

Figure 1-609 Close the front door and rear door or duplexer door (2 of 2)



Step 15: Install Tray 2

- ▲ Align Tray 2 with the tray cavity, and then push the tray into the printer.

Figure 1-610 Install Tray 2



Removal and replacement: Power switch assembly


- [Introduction](#)
- [Step 1: Remove Tray 2](#)
- [Step 2: Remove the right cover](#)
- [Step 3: Remove the power switch assembly](#)
- [Step 4: Unpack a replacement power switch assembly](#)
- [Step 5: Install the power switch assembly](#)
- [Step 6: Install the right cover](#)
- [Step 7: Install Tray 2](#)

Introduction

This document provides the procedures to remove and replace the power-switch assembly.

Before you begin

- Turn off the printer.
- Disconnect the power cable.

 **WARNING!** To avoid damage to the printer, turn the printer off, wait 30 seconds, and then remove the power cord before attempting to service the printer.

- Use the table below to identify the correct part number for your printer. To order the part, go to www.hp.com/buy/parts.

Power-switch assembly part number	
RM2-5896-000CN	Power-switch assembly

Required tools

- #2 Phillips screwdriver with a magnetic tip

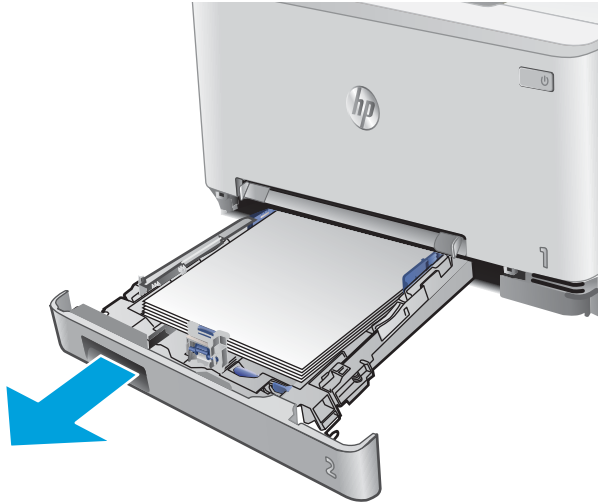
After performing service

- Connect the power cable.
- Use the power switch to turn the power on.

Step 1: Remove Tray 2

- ▲ Using the handle on the face of Tray 2, pull the tray completely out of the printer.

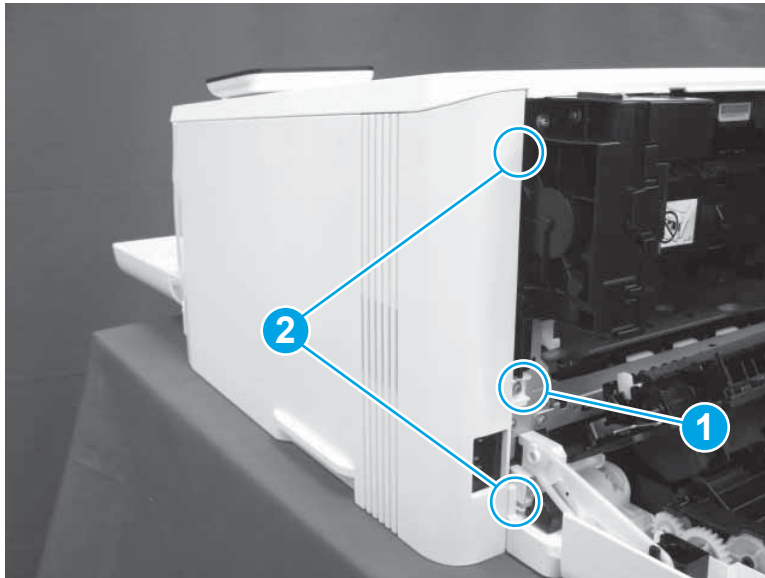
Figure 1-611 Remove Tray 2



Step 2: Remove the right cover

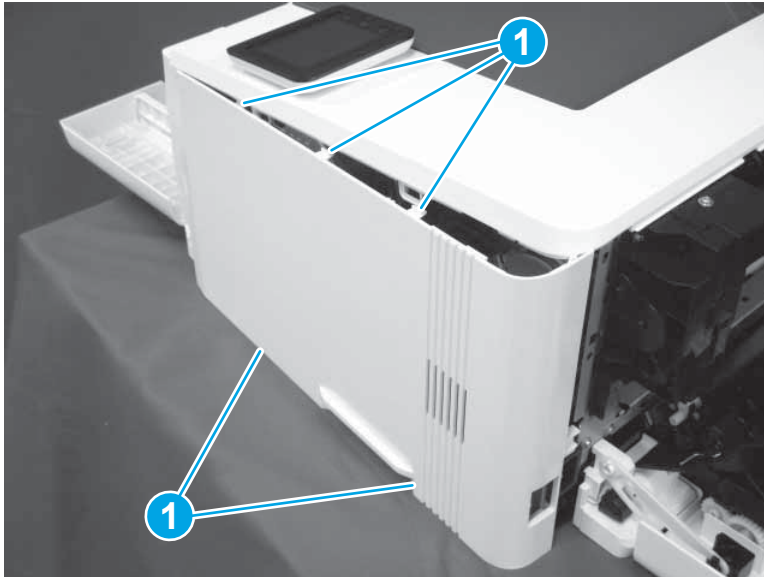
1. At the rear of the printer, remove one screw (callout 1), and then release two tabs (callout 2).

Figure 1-612 Remove the right cover (1 of 3)



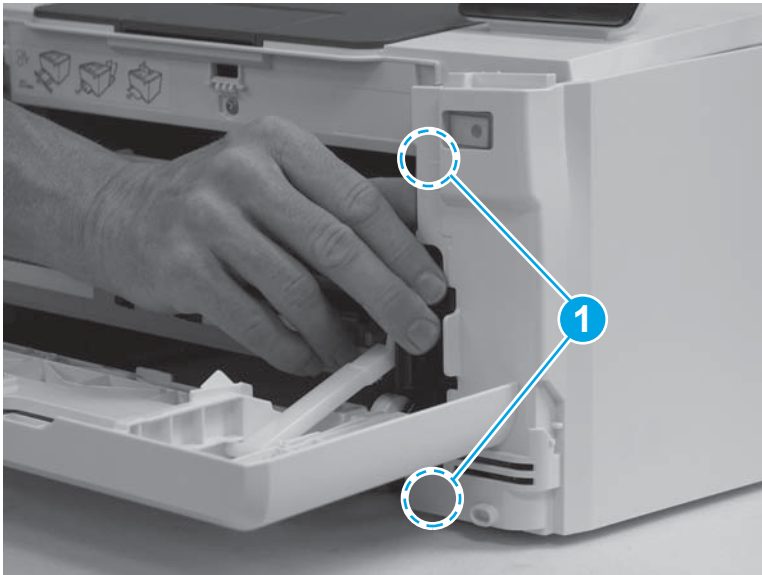
2. Release five tabs (callout 1) along the top and bottom of the cover. Releasing the top tabs first can ease this task.

Figure 1-613 Remove the right cover (2 of 3)



3. At the front of the printer, release two tabs (callout 1), and then remove the cover from the printer.

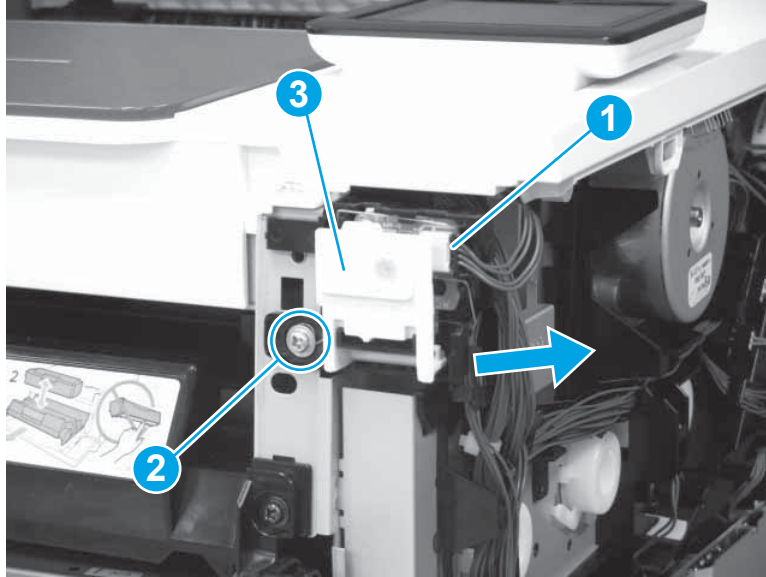
Figure 1-614 Remove the right cover (3 of 3)



Step 3: Remove the power switch assembly

- ▲ At the front of the printer, disconnect one connector (callout 1), remove one screw (callout 2), and then pull the power supply switch in the direction indicated to remove it from the printer.

Figure 1-615 Remove the power supply switch



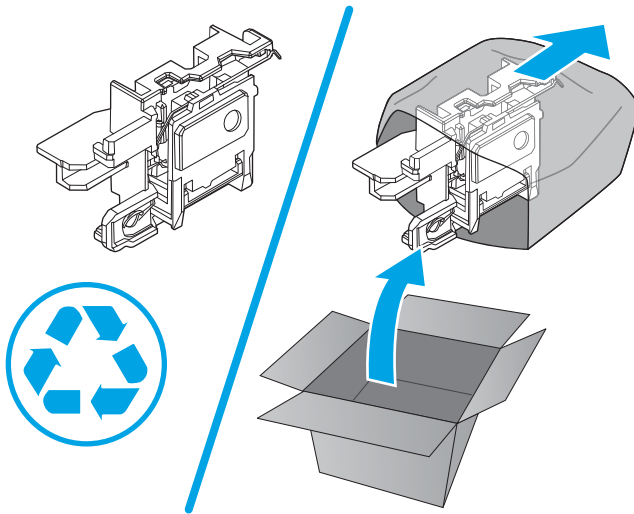
Step 4: Unpack a replacement power switch assembly

Remove the new power switch assembly from its package. Save all packaging for recycling the used part.

For complete information on HP's recycling programs, go to <http://www8.hp.com/us/en/hp-information/environment/product-recycling.html>.

 **NOTE:** HP recommends responsible disposal of the defective assembly.

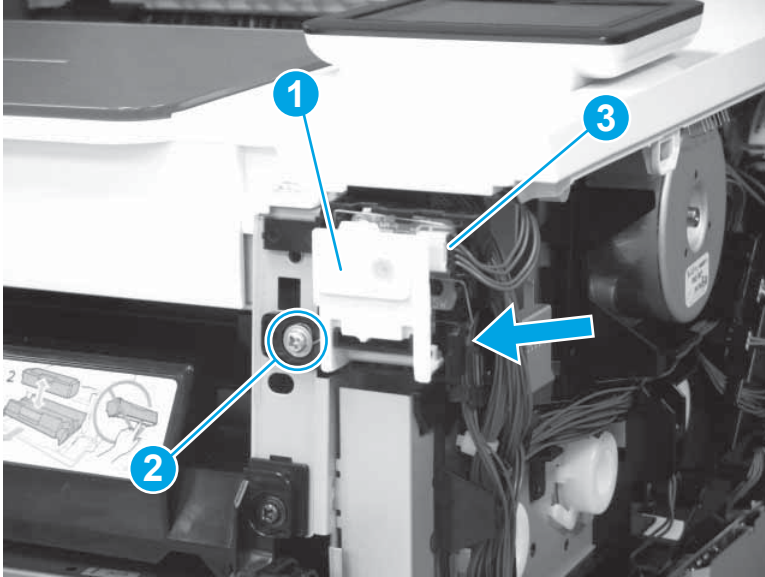
Figure 1-616 Recycle and unpack



Step 5: Install the power switch assembly

- ▲ At the front of the printer, slide the power supply switch (callout 1) in the direction indicated to set it place, install one screw (callout 2), and then connect one connector (callout 3).

Figure 1-617 Install the power supply switch



Step 6: Install the right cover

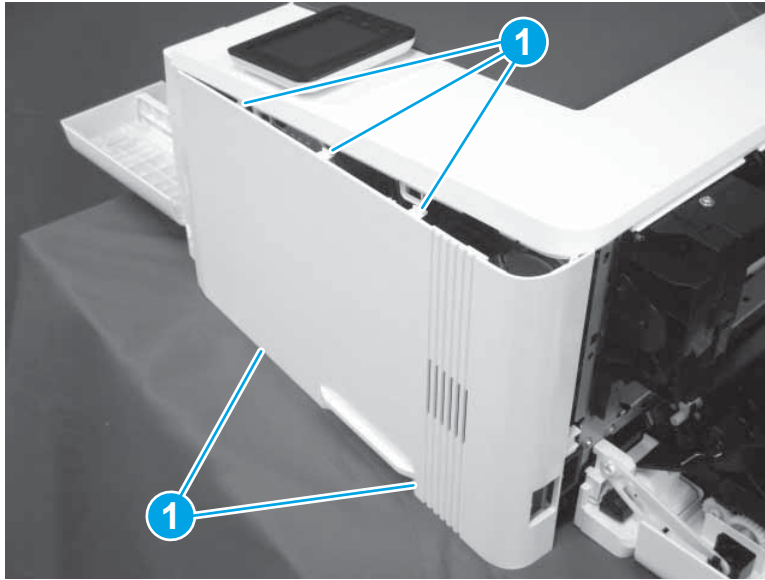
1. At the front of the printer, position two tabs (callout 1) in the chassis.

Figure 1-618 Install the right cover (1 of 3)



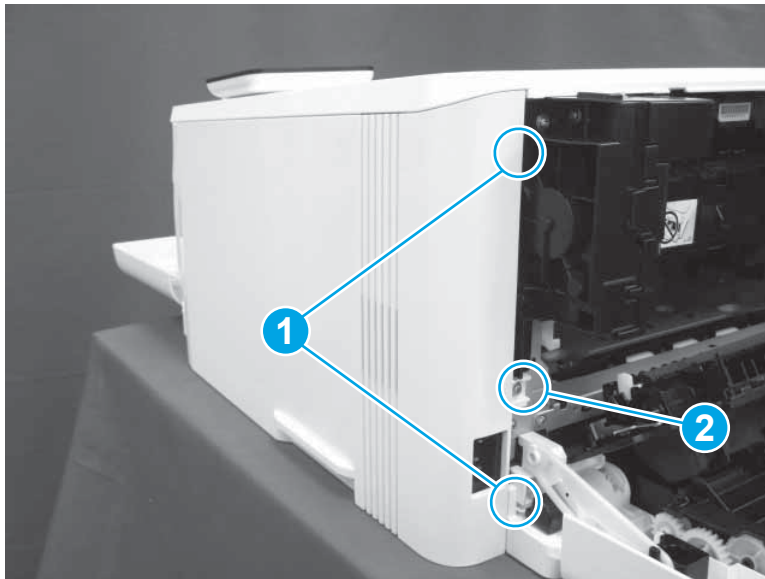
2. Moving from the front to the back, set five tabs (callout 1) along the top and bottom of the cover.

Figure 1-619 Install the right cover (2 of 3)



3. At the rear of the printer, set two tabs (callout 1), and then install one screw (callout 2).

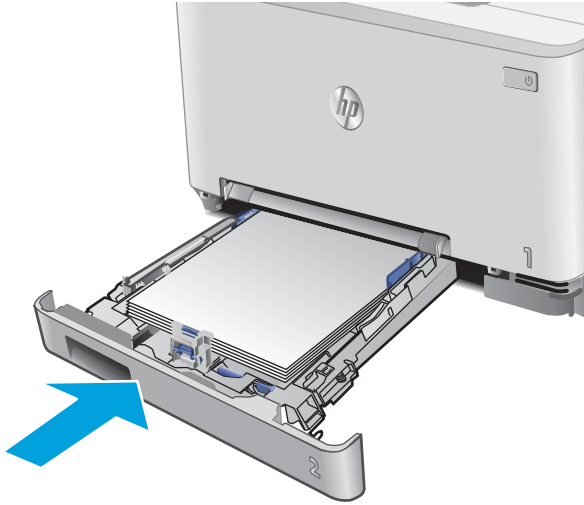
Figure 1-620 Install the right cover (3 of 3)



Step 7: Install Tray 2

- ▲ Align Tray 2 with the tray cavity, and then push the tray into the printer.

Figure 1-621 Install Tray 2



Removal and replacement: Low-voltage power supply (LVPS)


- [Introduction](#)
- [Step 1: Remove Tray 2](#)
- [Step 2: Open the front door and rear door or duplexer door](#)
- [Step 3: Remove the right cover](#)
- [Step 4: Remove the LVPS](#)
- [Step 5: Unpack a replacement LVPS](#)
- [Step 6: Install the LVPS](#)
- [Step 7: Install the right cover](#)
- [Step 8: Close the front door and rear door or duplexer door](#)
- [Step 9: Install Tray 2](#)

Introduction

This document provides the procedures to remove and replace the low-voltage power supply (LVPS).

Before you begin

- Turn off the printer.
- Disconnect the power cable.

 **WARNING!** To avoid damage to the printer, turn the printer off, wait 30 seconds, and then remove the power cord before attempting to service the printer.

- Use the table below to identify the correct part number for your printer. To order the part, go to www.hp.com/buy/parts.

LVPS part numbers

RM2-8050-000CN	LVPS (110 V)
----------------	--------------



RM2-8051-000CN	LVPS (220 V)
----------------	--------------

Required tools

- #2 Phillips screwdriver with a magnetic tip

After performing service

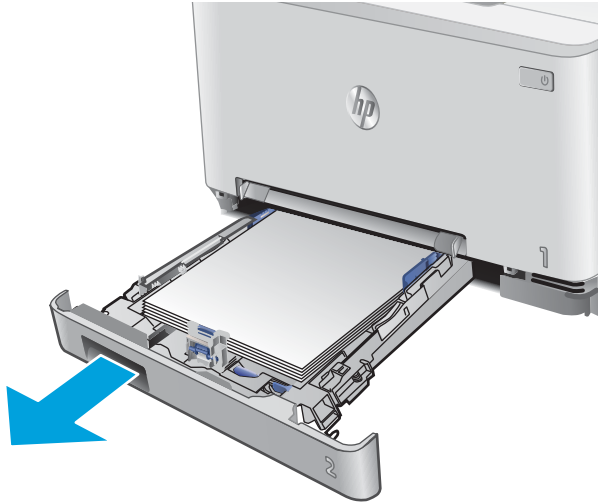
- Connect the power cable.
- Use the power switch to turn the power on.

 **CAUTION:**  This printer contains components that can be damaged by electrostatic discharge (ESD). To reduce the chance of ESD damage, place the printer on an ESD mat (if available), and wear an ESD wrist strap connected to a grounded surface. If an ESD workstation or mat is not available, ground yourself by touching the sheet-metal chassis before touching an ESD-sensitive part.

Step 1: Remove Tray 2

- ▲ Using the handle on the face of Tray 2, pull the tray completely out of the printer.

Figure 1-622 Remove Tray 2



Step 2: Open the front door and rear door or duplexer door

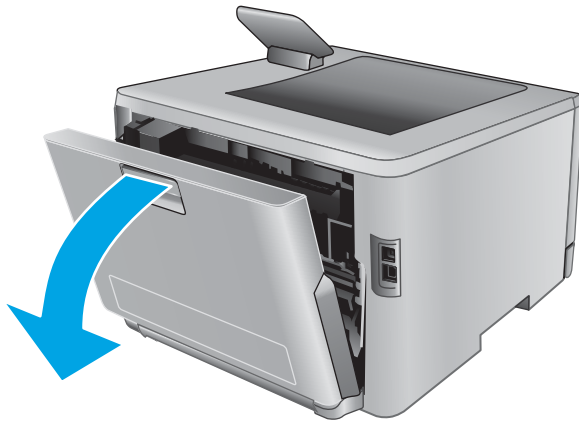
1. Open the front door.

Figure 1-623 Open the front door and rear door or duplexer door (1 of 2)



2. Use the latch release to open the rear door (simplex models) or duplexer door (duplex models).

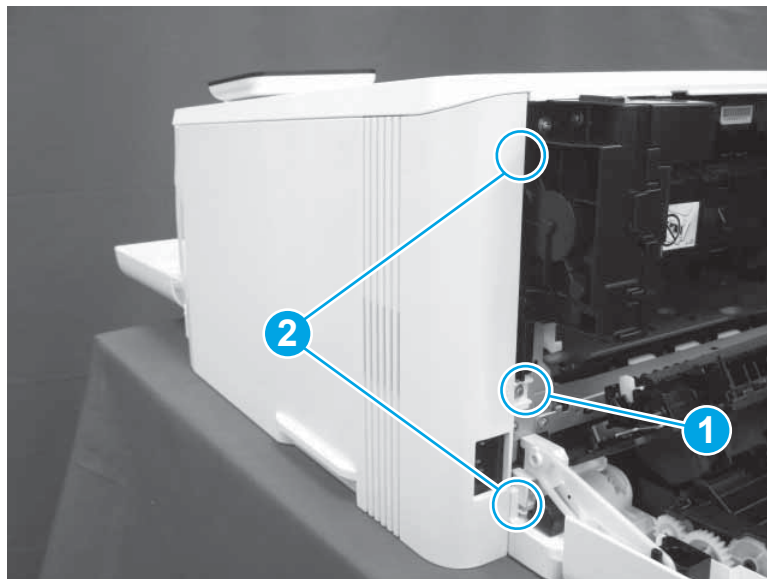
Figure 1-624 Open the front door and rear door or duplexer door (2 of 2)



Step 3: Remove the right cover

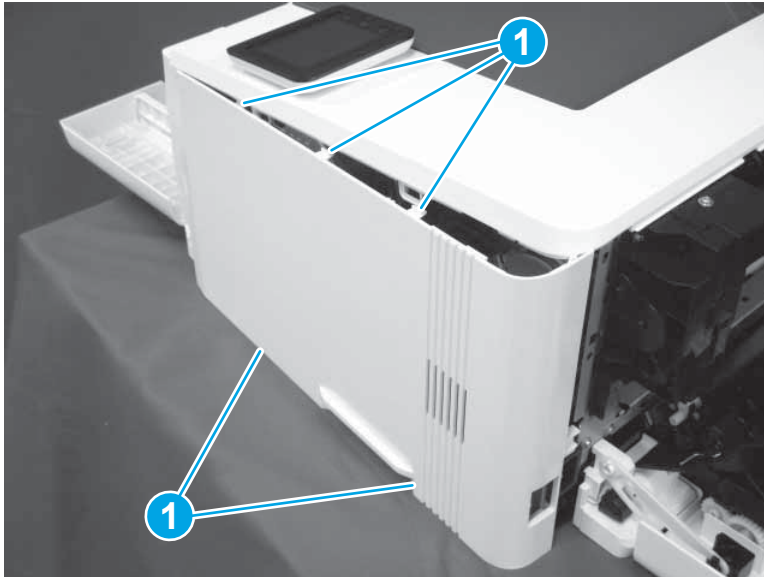
1. At the rear of the printer, remove one screw (callout 1), and then release two tabs (callout 2).

Figure 1-625 Remove the right cover (1 of 3)



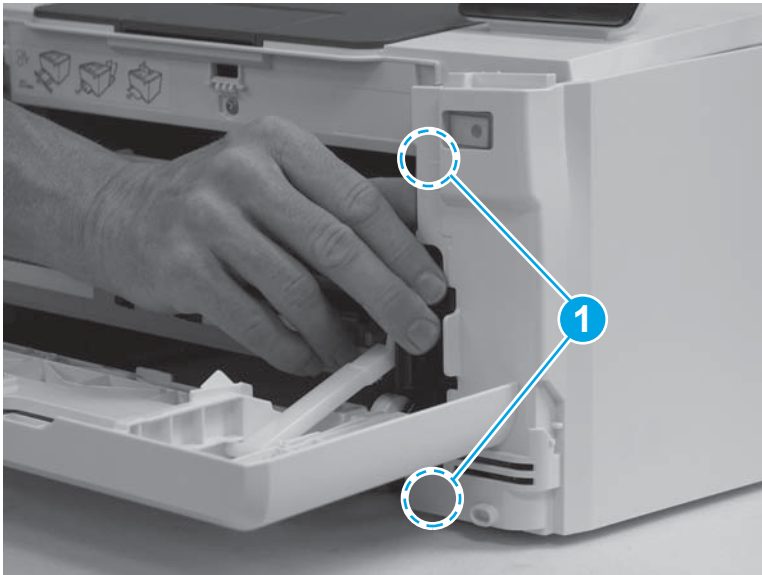
2. Release five tabs (callout 1) along the top and bottom of the cover. Releasing the top tabs first can ease this task.

Figure 1-626 Remove the right cover (2 of 3)



3. At the front of the printer, release two tabs (callout 1), and then remove the cover from the printer.

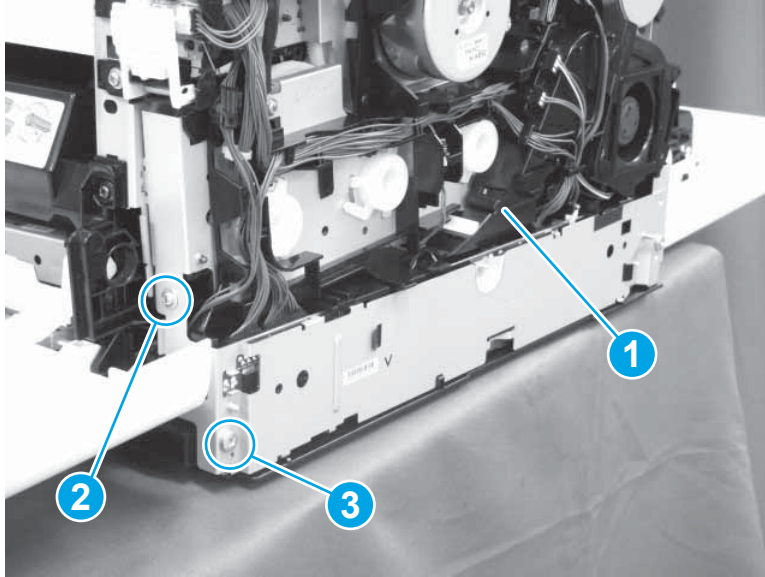
Figure 1-627 Remove the right cover (3 of 3)



Step 4: Remove the LVPS

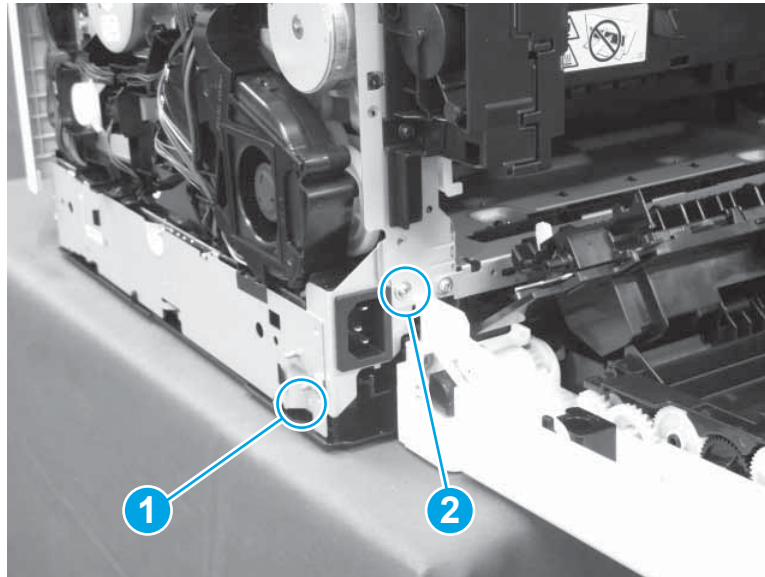
1. On the right side of the printer, remove the fan duct cover (callout 1), remove one screw (callout 2), and remove an M4 tapping screw (callout 3).

Figure 1-628 Remove the low-voltage power supply (1 of 3)



2. Remove an M4 tapping screw (callout 1) and one screw (callout 2) on the rear side of the printer.

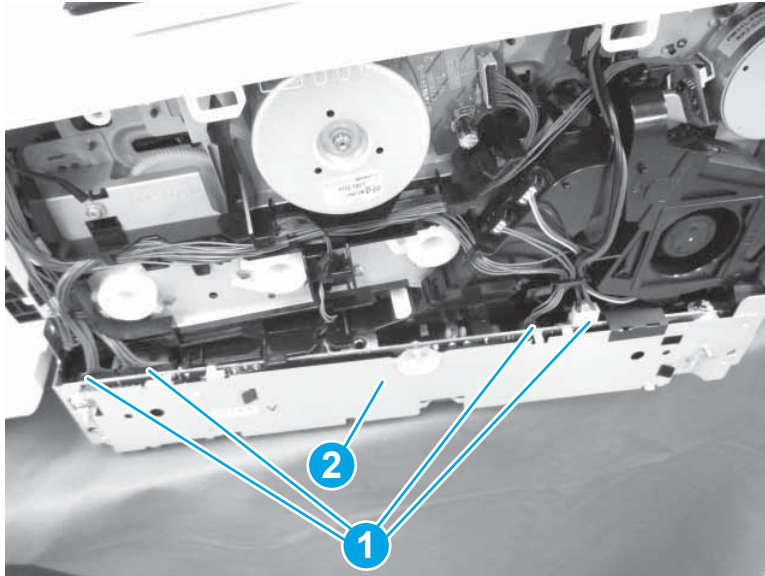
Figure 1-629 Remove the low-voltage power supply (2 of 3)



3. Remove four connectors (callout 1), and then pull the LVPS (callout 2) away from the chassis.

 **NOTE:** The connector to the far right in the graphic below has a clasp lock that needs to be pressed against the connector body to release it from the LVPS.

Figure 1-630 Remove the low-voltage power supply (3 of 3)



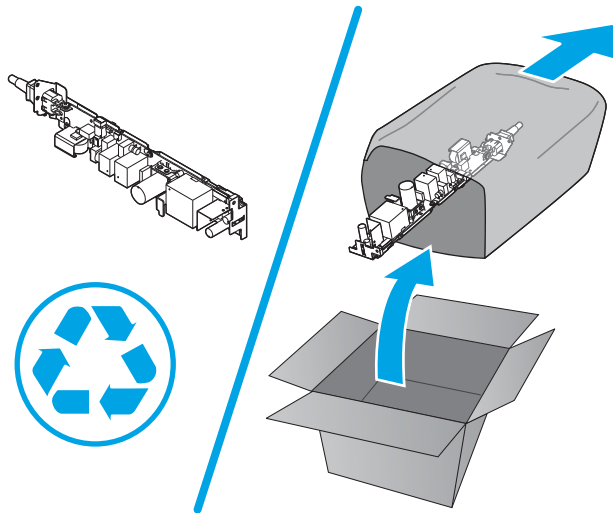
Step 5: Unpack a replacement LVPS

Remove the new LVPS from its package. Save all packaging for recycling the used part.

For complete information on HP's recycling programs, go to <http://www8.hp.com/us/en/hp-information/environment/product-recycling.html>.

 **NOTE:** HP recommends responsible disposal of the defective assembly.

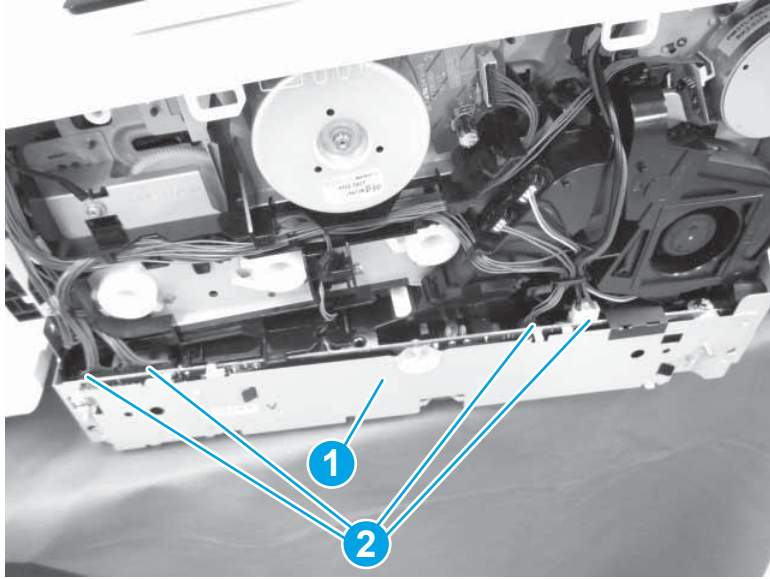
Figure 1-631 Recycle and unpack



Step 6: Install the LVPS

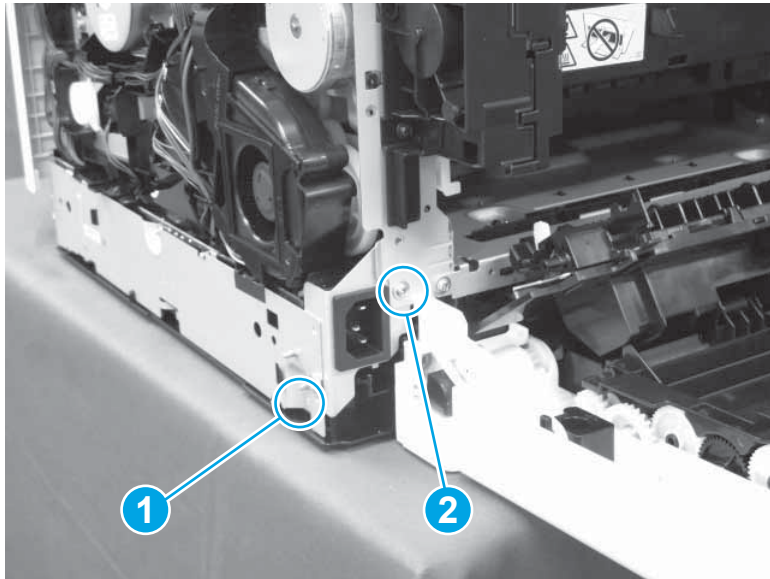
1. Set the LVPS (callout 1) in place, and then connect four connectors (callout 2).

Figure 1-632 Install the low-voltage power supply (1 of 3)



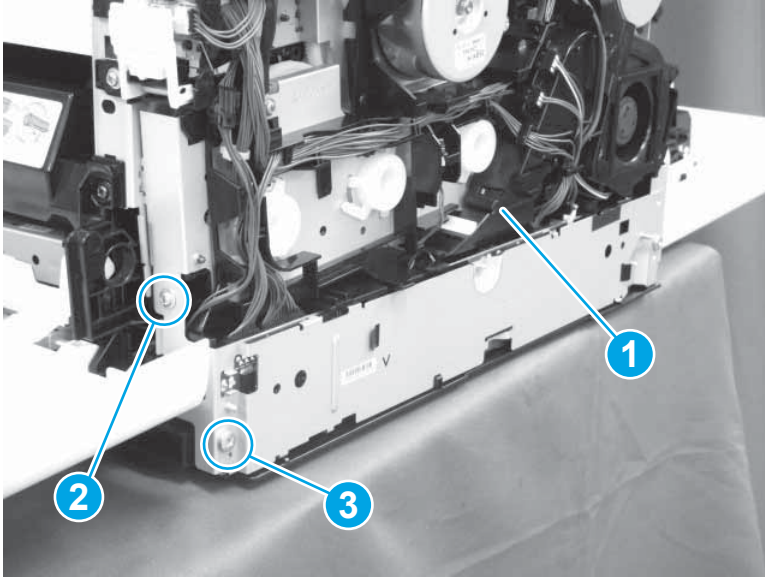
2. Install an M4 tapping screw (callout 1) and one screw (callout 2) on the rear side of the printer.

Figure 1-633 Install the low-voltage power supply (2 of 3)



3. Install the fan duct cover (callout 1), install one screw (callout 2), and install an M4 tapping screw (callout 3).

Figure 1-634 Install the low-voltage power supply (3 of 3)



Step 7: Install the right cover

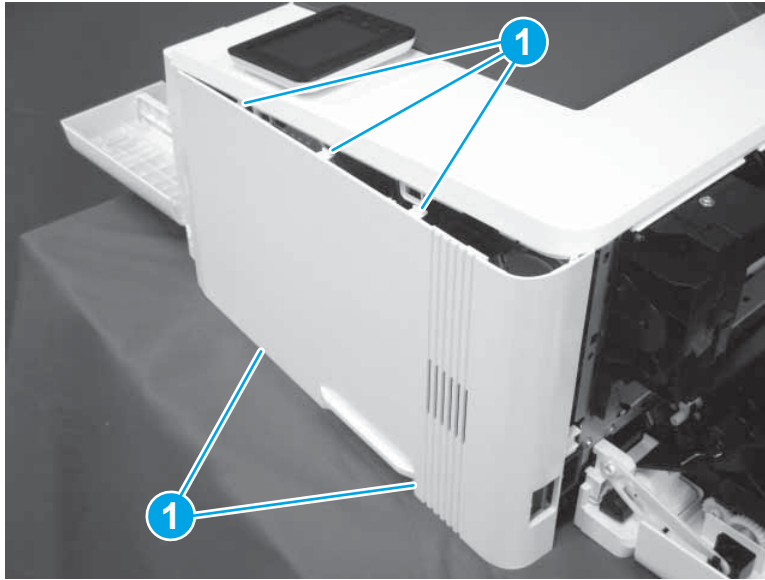
1. At the front of the printer, position two tabs (callout 1) in the chassis.

Figure 1-635 Install the right cover (1 of 3)



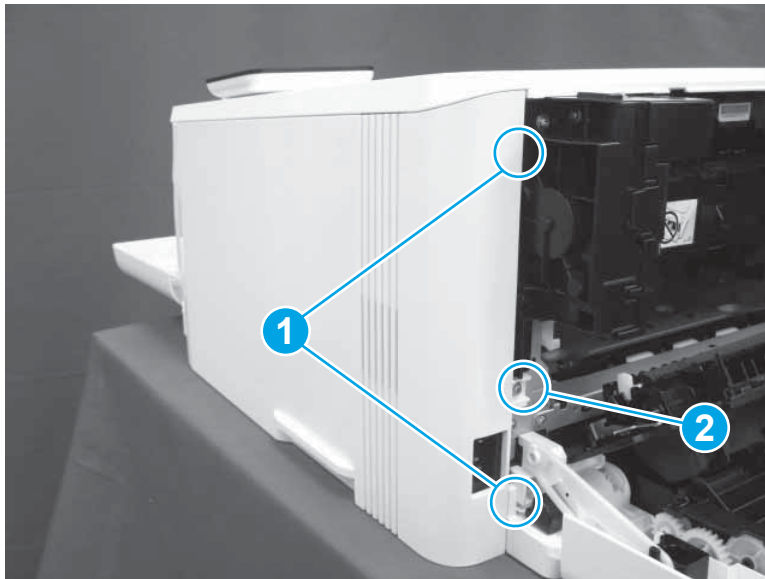
2. Moving from the front to the back, set five tabs (callout 1) along the top and bottom of the cover.

Figure 1-636 Install the right cover (2 of 3)



3. At the rear of the printer, set two tabs (callout 1), and then install one screw (callout 2).

Figure 1-637 Install the right cover (3 of 3)



Step 8: Close the front door and rear door or duplexer door

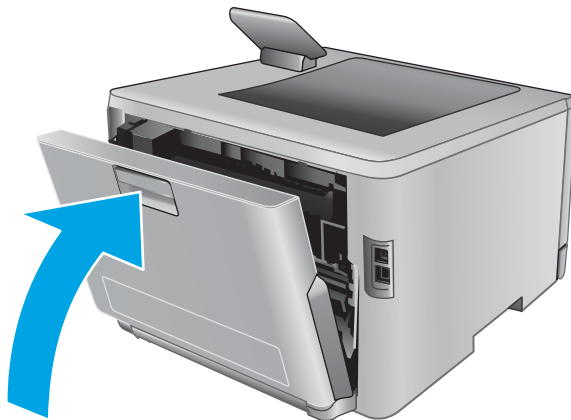
1. Close the front door.

Figure 1-638 Close the front door and rear door or duplexer door (1 of 2)



2. Close the rear door (simplex models) or duplexer door (duplex models).

Figure 1-639 Close the front door and rear door or duplexer door (2 of 2)



Step 9: Install Tray 2

- ▲ Align Tray 2 with the tray cavity, and then push the tray into the printer.

Figure 1-640 Install Tray 2



Removal and replacement: Fuser


- [Introduction](#)
- [Step 1: Remove Tray 2](#)
- [Step 2: Open the front door and rear door or duplexer door](#)
- [Step 3: Remove the right cover](#)
- [Step 4: Remove the left cover](#)
- [Step 5: Remove the scanner \(M274, M277 models\)](#)
- [Step 6: Remove the top cover](#)
- [Step 7: Remove the output sensor assembly](#)
- [Step 8: Remove the duplex drive assembly](#)
- [Step 9: Remove the fuser](#)
- [Step 10: Unpack a replacement fuser](#)
- [Step 11: Install the fuser](#)
- [Step 12: Install the duplex drive assembly](#)
- [Step 13: Install the output sensor assembly](#)
- [Step 14: Install the top cover](#)
- [Step 15: Install the scanner \(M274, M277 models\)](#)
- [Step 16: Install the left cover](#)
- [Step 17: Install the right cover](#)
- [Step 18: Close the front door and rear door or duplexer door](#)
- [Step 19: Install Tray 2](#)

Introduction

This document provides the procedures to remove and replace the fuser.

Before you begin

- Turn off the printer.
- Disconnect the power cable.

 **WARNING!** To avoid damage to the printer, turn the printer off, wait 30 seconds, and then remove the power cord before attempting to service the printer.

- Use the table below to identify the correct part number for your printer. To order the part, go to www.hp.com/buy/parts.

Fuser kit part numbers

RM2-5582-000CN	Fuser (220 V, simplex) with instruction guide
RM2-5583-000CN	Fuser (110 V, duplex) with instruction guide
RM2-5584-000CN	Fuser (220 V, duplex) with instruction guide

Required tools

- #2 Phillips screwdriver with a magnetic tip

After performing service

- Connect the power cable.
- Use the power switch to turn the power on.

Step 1: Remove Tray 2

- ▲ Using the handle on the face of Tray 2, pull the tray completely out of the printer.

Figure 1-641 Remove Tray 2**Step 2: Open the front door and rear door or duplexer door**

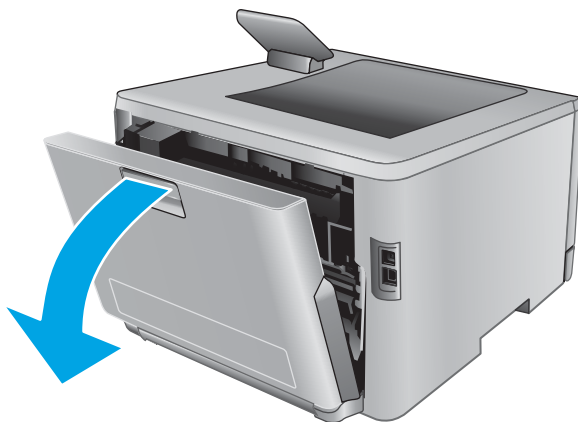
1. Open the front door.

Figure 1-642 Open the front door and rear door or duplexer door (1 of 2)



2. Use the latch release to open the rear door (simplex models) or duplexer door (duplex models).

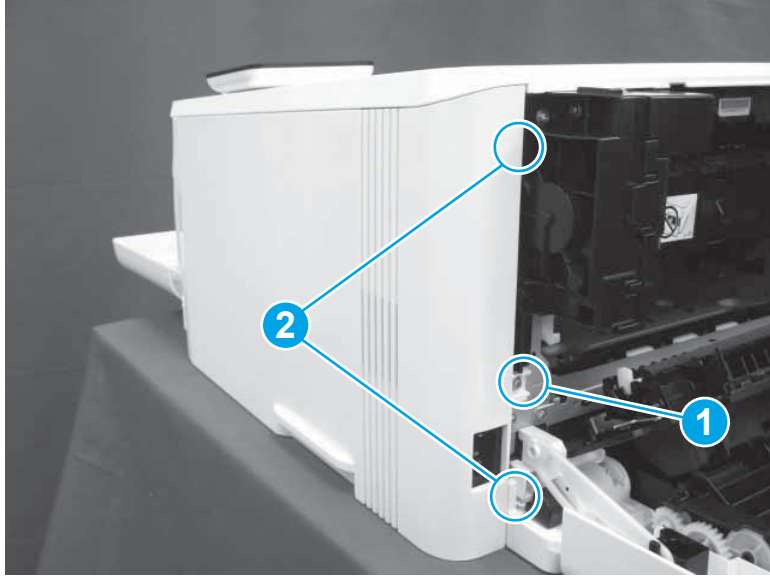
Figure 1-643 Open the front door and rear door or duplexer door (2 of 2)



Step 3: Remove the right cover

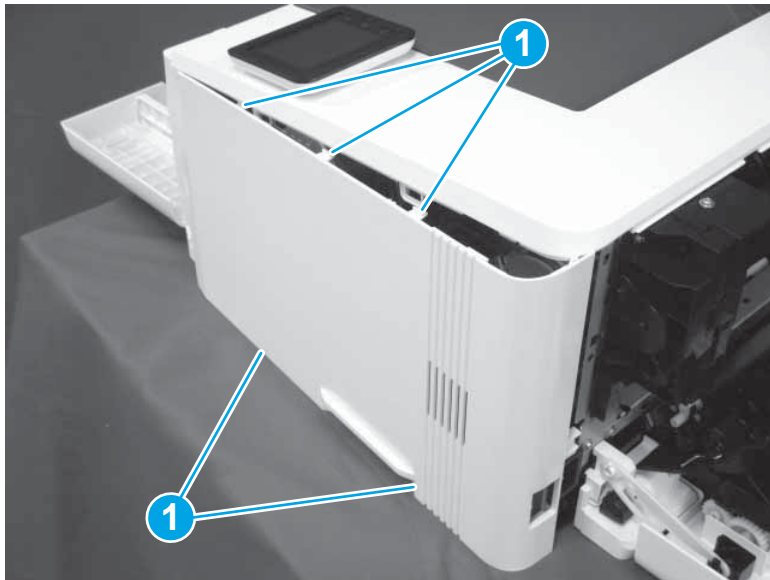
1. At the rear of the printer, remove one screw (callout 1), and then release two tabs (callout 2).

Figure 1-644 Remove the right cover (1 of 3)



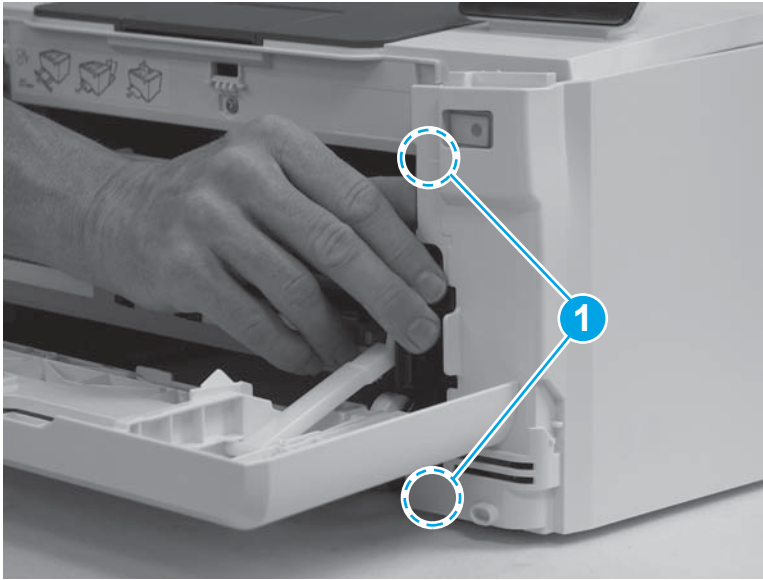
2. Release five tabs (callout 1) along the top and bottom of the cover. Releasing the top tabs first can ease this task.

Figure 1-645 Remove the right cover (2 of 3)



3. At the front of the printer, release two tabs (callout 1), and then remove the cover from the printer.

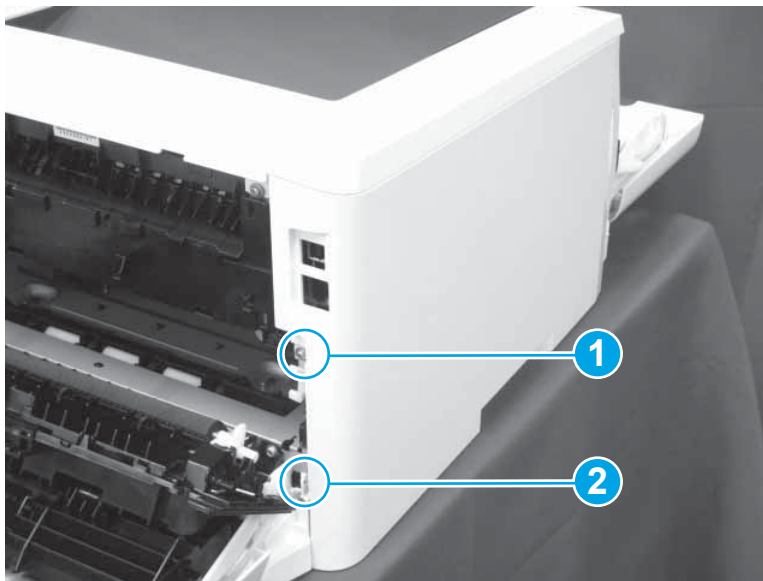
Figure 1-646 Remove the right cover (3 of 3)



Step 4: Remove the left cover

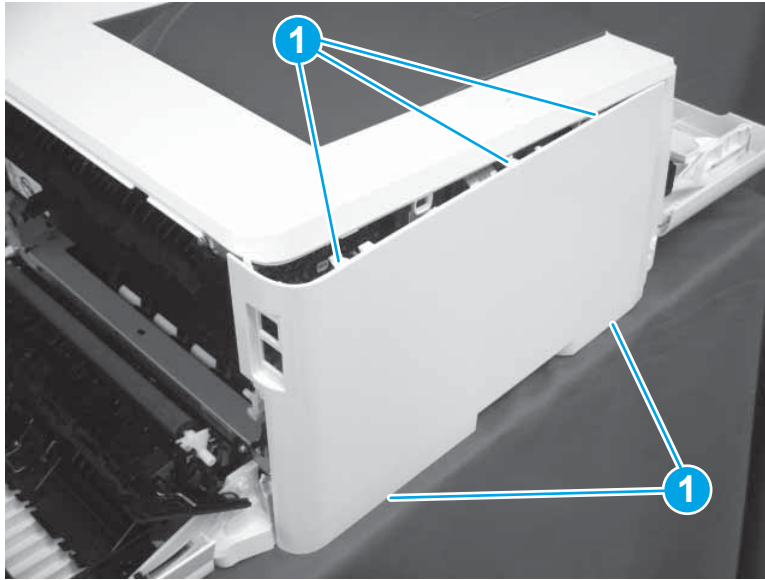
1. At the rear of the printer, remove one screw (callout 1), and then release one tab (callout 2).

Figure 1-647 Remove the left cover (1 of 3)



2. Starting at the top edge, release five tabs (callout 1)

Figure 1-648 Remove the left cover (2 of 3)



3. Move the printer so that the left cover is over the edge of the work surface. Pull the top of the cover down at approximately 45-degree angle to remove it.

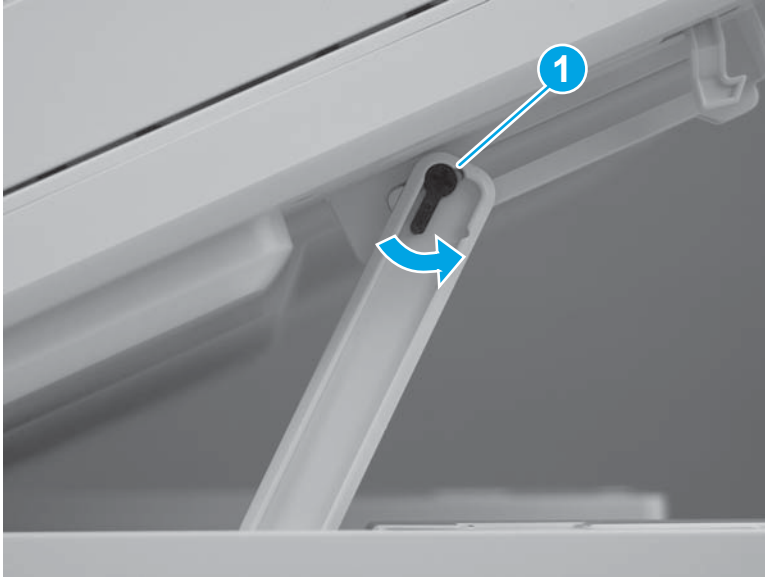
Figure 1-649 Remove the left cover (3 of 3)



Step 5: Remove the scanner (M274, M277 models)

1. With the scanner lid lifted, release the tab on the scanner support arm from the slot and rotate the support arm in the direction indicated, and then remove the pin (callout 1).

Figure 1-650 Remove the M274, M277 scanner (1 of 4)



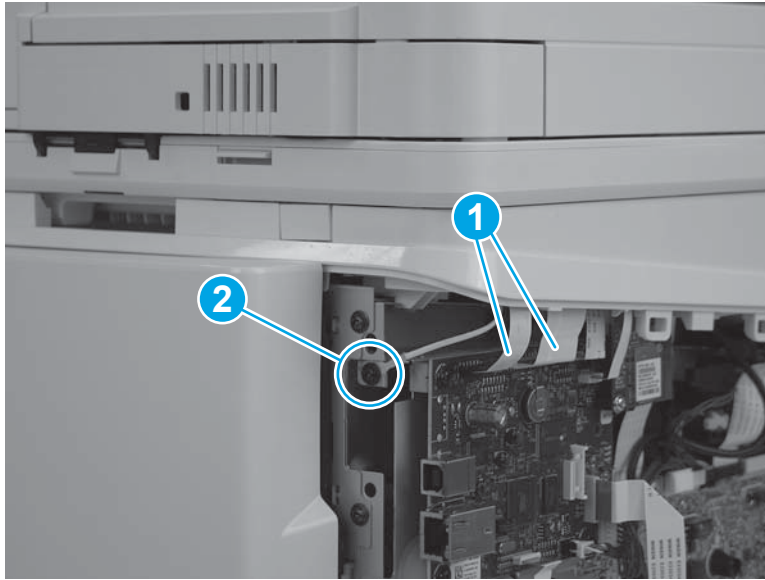
2. On the scanner bed, use a flat-blade screwdriver to remove the scanner cable cover.

Figure 1-651 Remove the M274, M277 scanner (2 of 4)



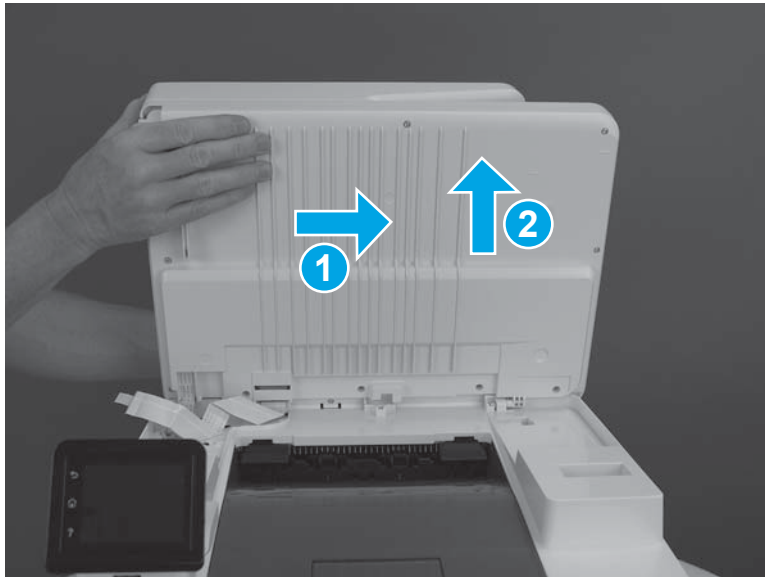
3. On the left side of the printer, disconnect two connectors (callout 1) and remove one screw (callout 2).

Figure 1-652 Remove the M274, M277 scanner (3 of 4)



4. Open the scanner assembly fully, slide the assembly in the direction indicated, and then lift the assembly off of the chassis.

Figure 1-653 Remove the M274, M277 scanner (4 of 4)

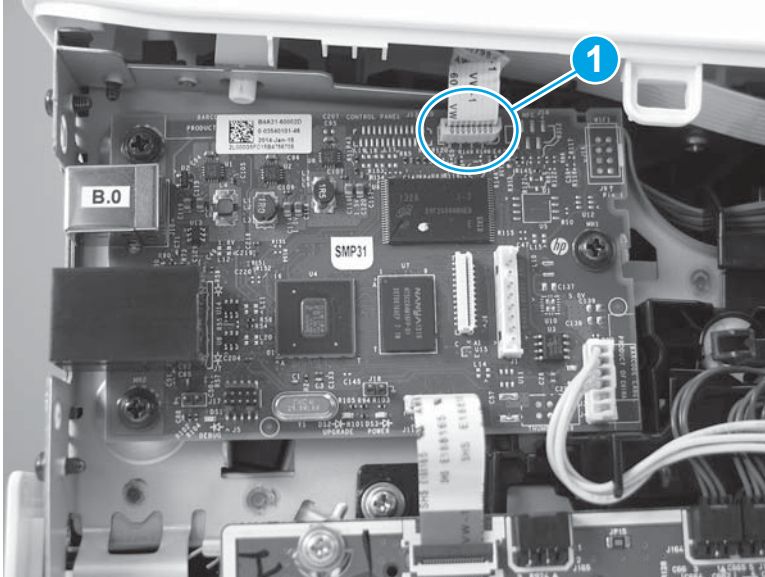


Step 6: Remove the top cover

Remove the M252n top cover

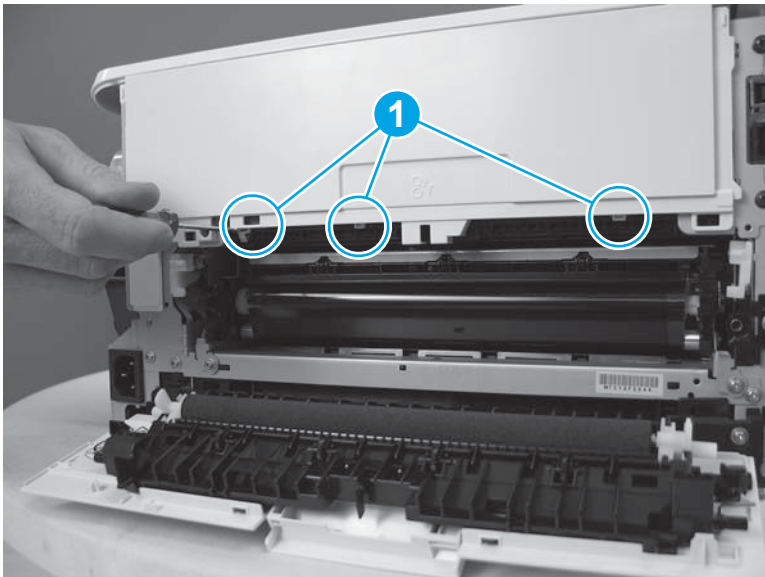
1. On the left side of the printer, on the formatter, disconnect one connector (callout 1).

Figure 1-654 Remove the M252n top cover (1 of 4)



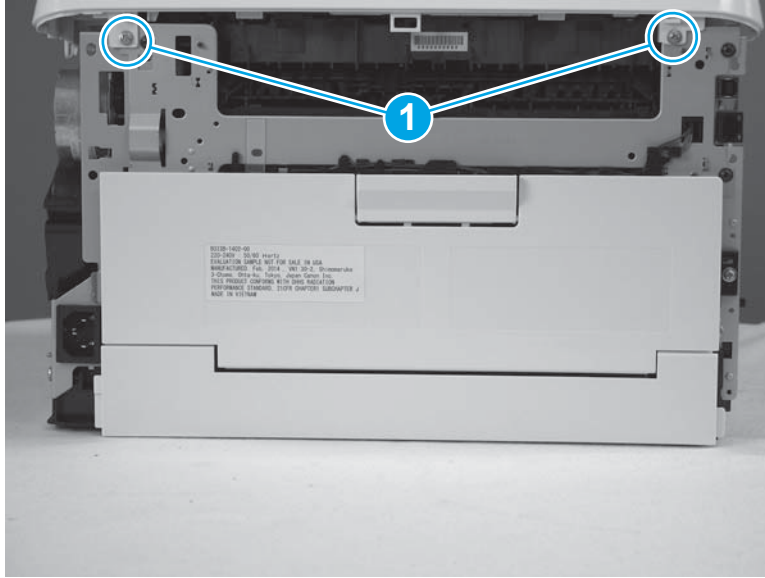
2. On the rear side of the printer, open the rear door, and then remove the upper rear cover by releasing three tabs (callout 1) with a flat-blade screwdriver.

Figure 1-655 Remove the M252n top cover (2 of 4)



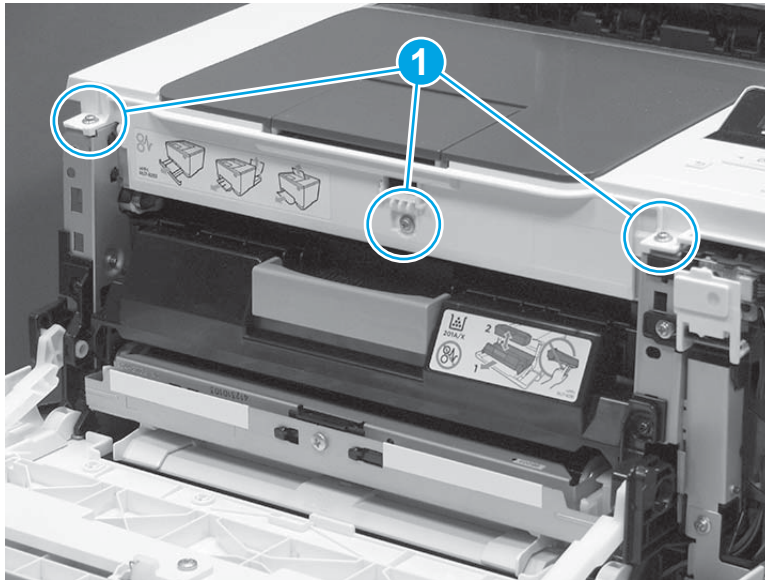
3. Remove two screws (callout 1).

Figure 1-656 Remove the M252n top cover (3 of 4)



4. At the front of the printer, remove three screws (callout 1), and then lift the cover away from the printer.

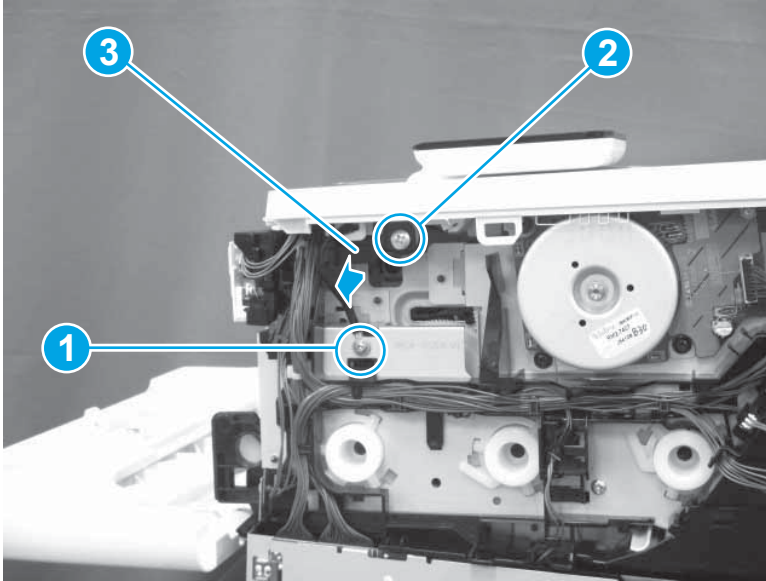
Figure 1-657 Remove the M252n top cover (4 of 4)



Remove the M252dw top cover

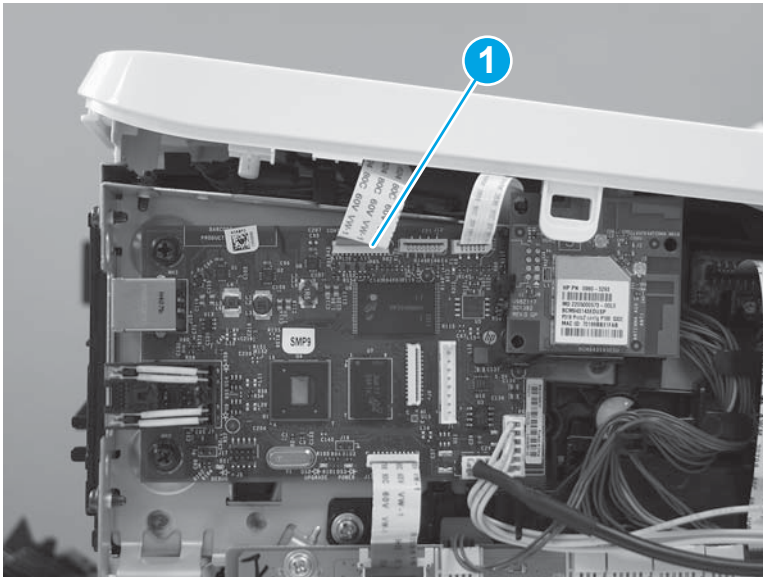
1. On the right side of the printer, remove one screw (callout 1), remove one larger M4 tapping screw (callout 2), and pull the plastic guide (callout 3) away from the printer to separate it from the chassis.

Figure 1-658 Remove the M252dw top cover (1 of 3)



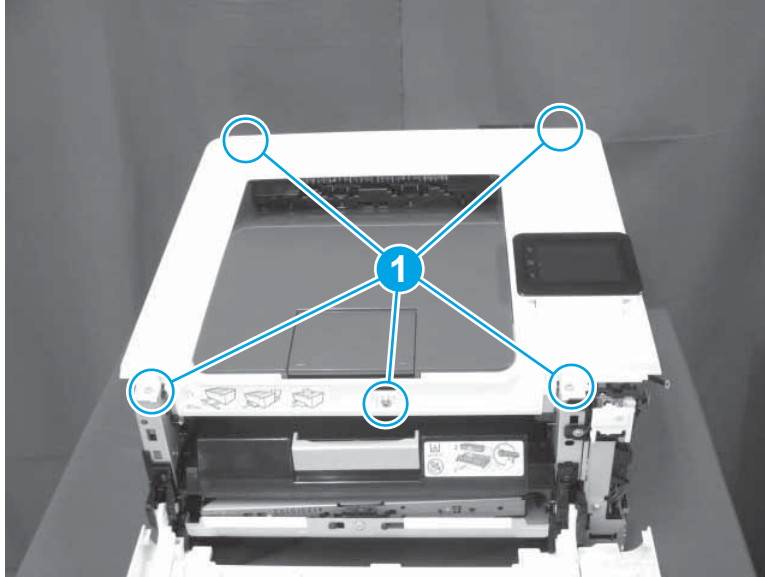
2. On the left side of the printer, on the formatter PCA, disconnect one flat cable (callout 1).

Figure 1-659 Remove the M252dw top cover (2 of 3)



3. Remove five screws (callout 1) — three screws at the front and two screws at the rear — and then remove the cover.

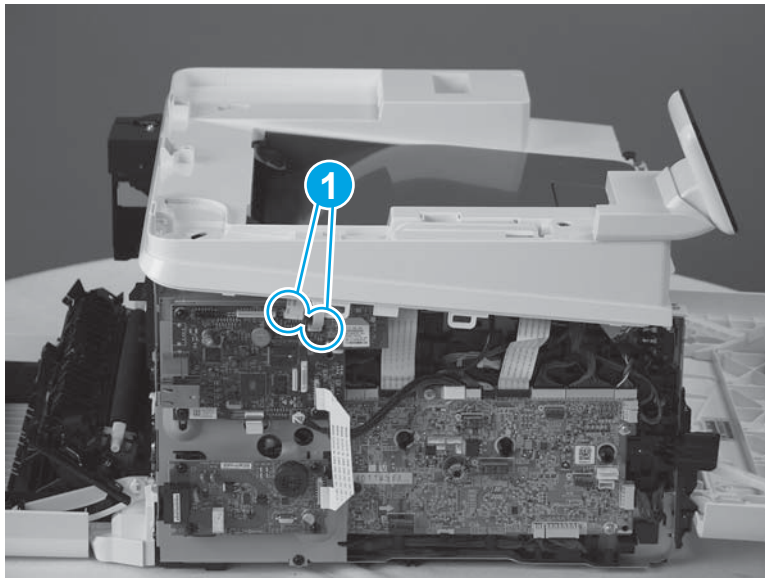
Figure 1-660 Remove the M252dw top cover (3 of 3)



Remove the M274, M277 top cover

1. On the left side of the printer, on the formatter PCA, disconnect two connectors (callout 1).

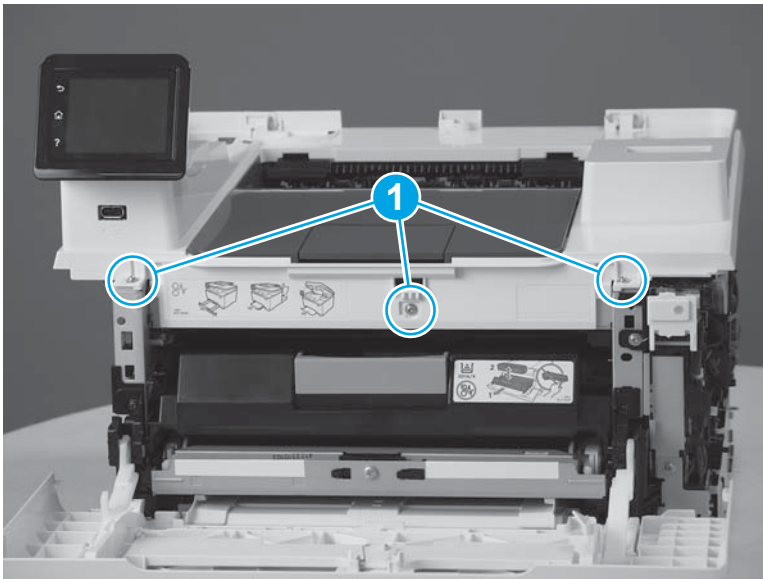
Figure 1-661 Remove the M274, M277 top cover (1 of 10)



2. At the front of the printer, remove three screws (callout 1).

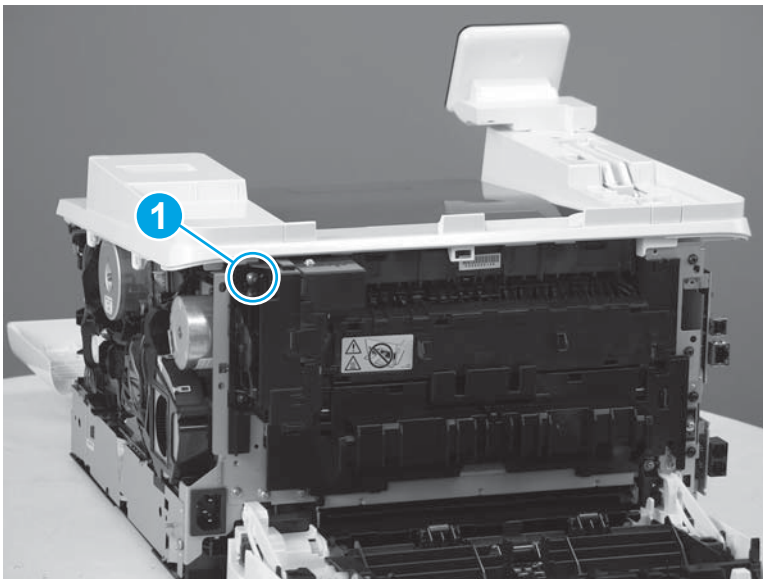
 **NOTE:** To remove the screw beneath the control panel, you might need to use an offset screwdriver.

Figure 1-662 Remove the M274, M277 top cover (2 of 10)



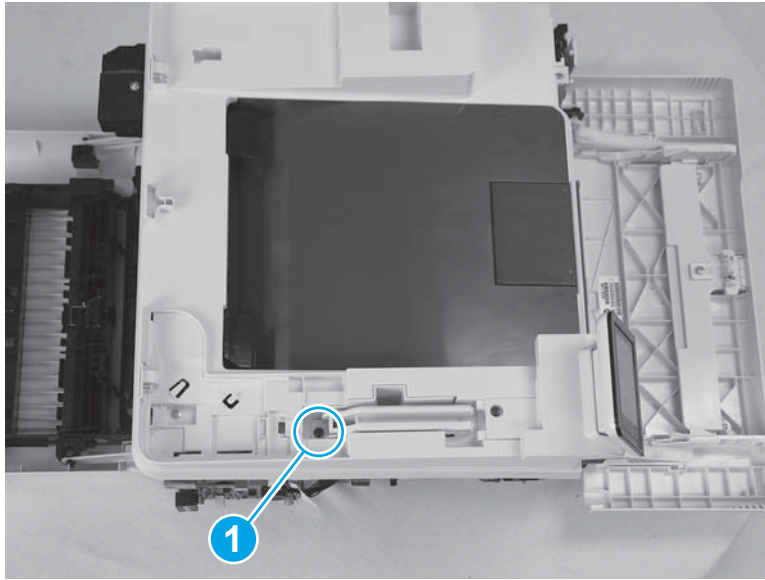
3. At the rear of the printer, remove one screw (callout 1).

Figure 1-663 Remove the M274, M277 top cover (3 of 10)



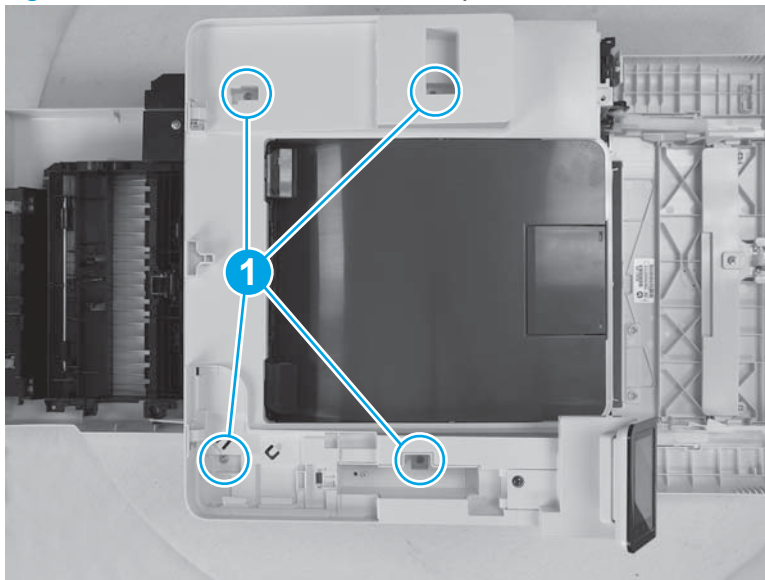
4. At the top of the printer, at the base of the scanner support arm, remove one screw (callout 1).

Figure 1-664 Remove the M274, M277 top cover (4 of 10)



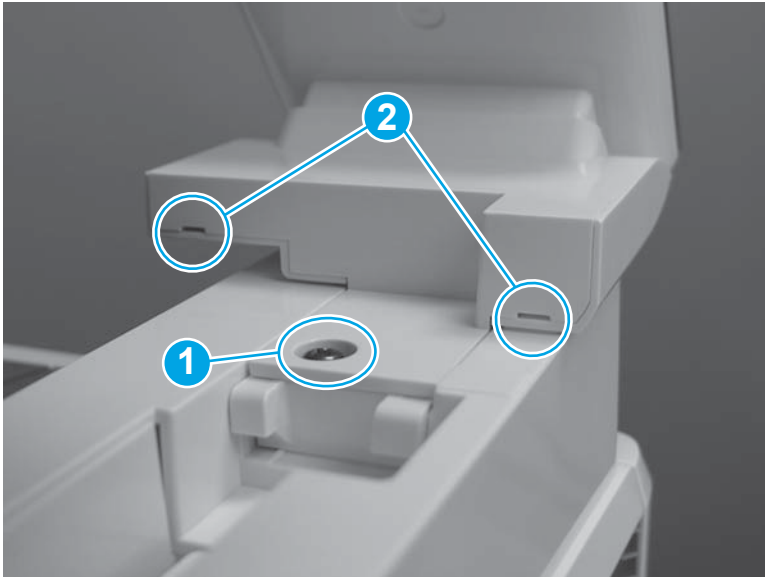
5. At the top of the printer, remove four more screws (callout 1).

Figure 1-665 Remove the M274, M277 top cover (5 of 10)



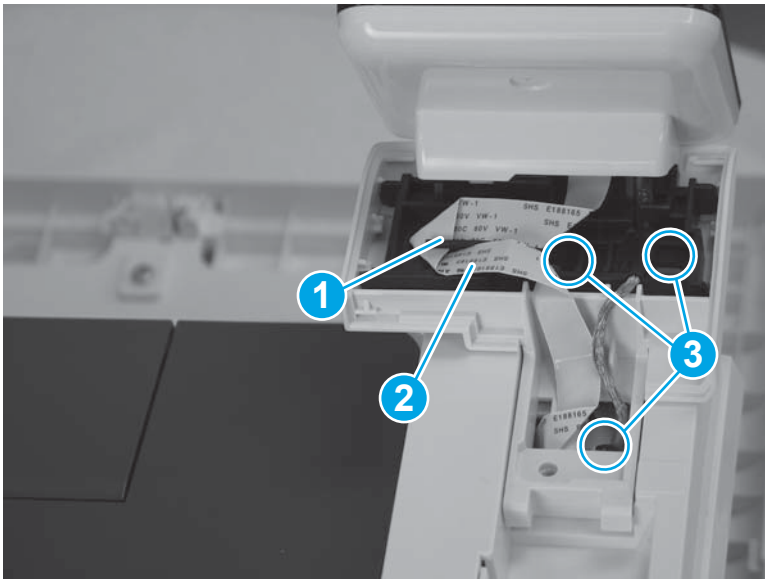
6. Behind the control panel, remove one screw (callout 1), and then use a small flat-blade screwdriver at two pry points (callout 2) to release the control-panel cover from the top cover.

Figure 1-666 Remove the M274, M277 top cover (6 of 10)



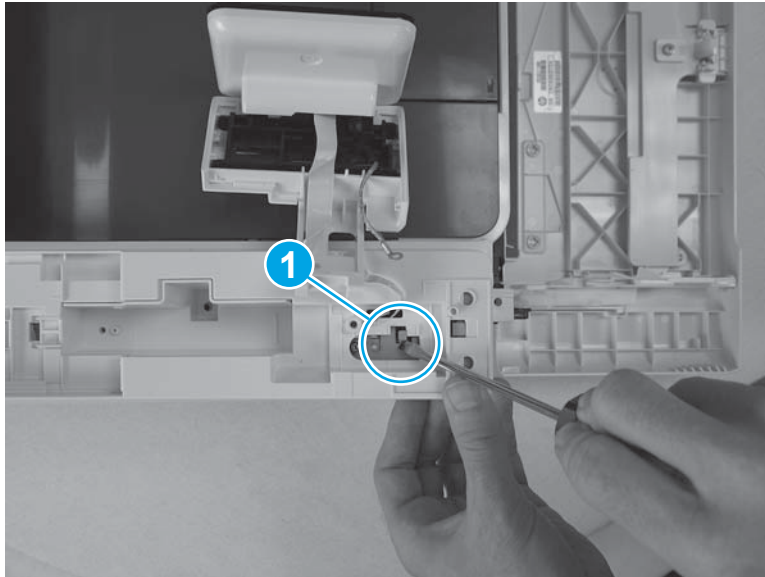
7. Unroute the flat cable (callout 1) from the wiring harness (callout 2), move the cable out of the way, and then remove three screws (callout 3).

Figure 1-667 Remove the M274, M277 top cover (7 of 10)



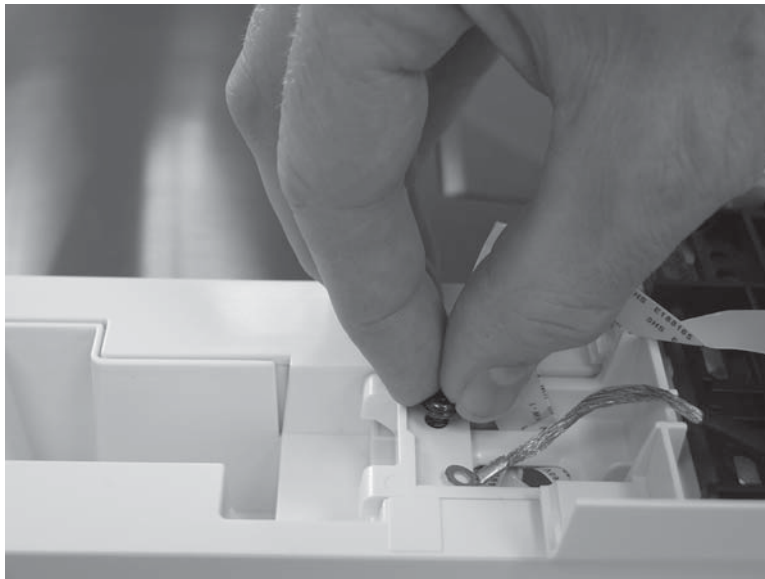
8. Use a small flat-blade screwdriver to release two tabs (callout 1) that connect the top cover to the chassis.

Figure 1-668 Remove the M274, M277 top cover (8 of 10)



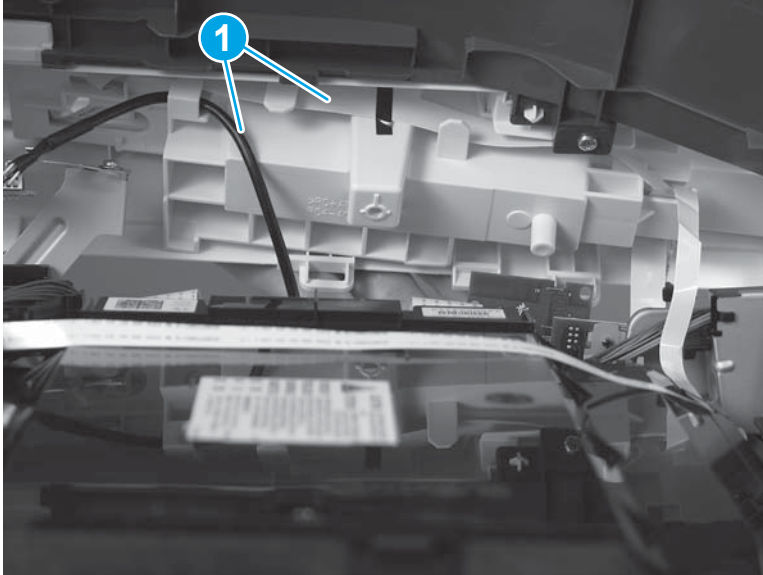
9. With your hand, refasten the screw that was previously removed to temporarily reattach the control panel to the top cover. Doing this should protect the flat cable from being damaged.

Figure 1-669 Remove the M274, M277 top cover (9 of 10)



10. Tilt the top cover. Underneath the cover, unroute the cables (callout 1), and then lift the cover away from the printer.

Figure 1-670 Remove the M274, M277 top cover (10 of 10)



Step 7: Remove the output sensor assembly

- ▲ At the top of the output bin, disconnect one connector (callout 1), release two tabs (callout 2), and then remove the output sensor assembly (callout 3).


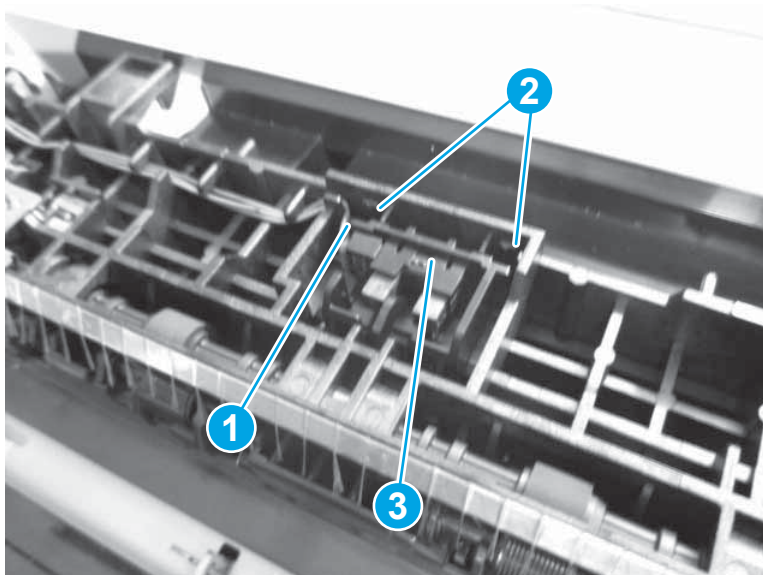
 **NOTE:** Unrouting the cable from the cable guides might make disconnecting the connector (callout 1) easier.

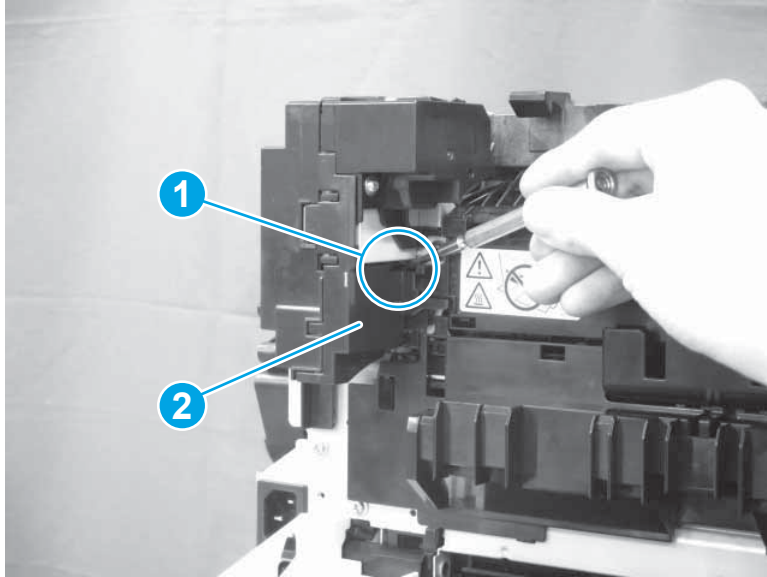
Figure 1-671 Remove the output sensor assembly



Step 8: Remove the duplex drive assembly

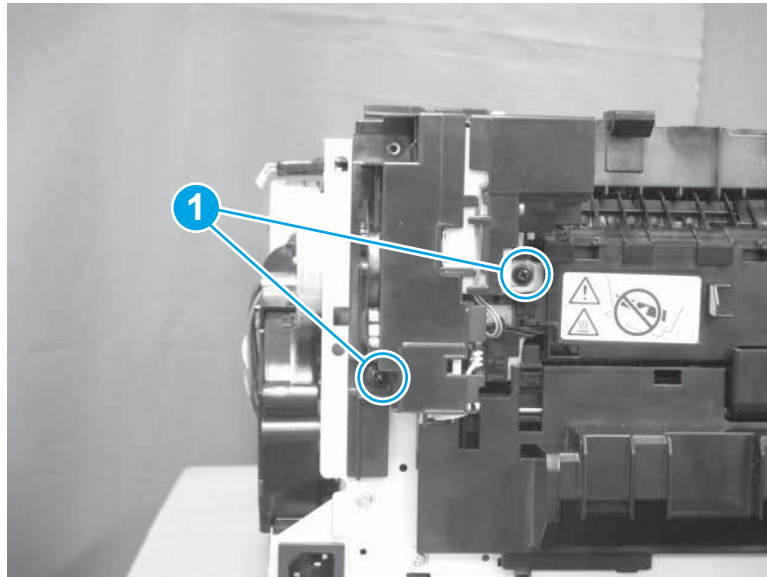
1. Use a flat-blade screwdriver to release one tab (callout 1), and then remove the cover (callout 2).

Figure 1-672 Remove the duplex drive assembly (1 of 4)



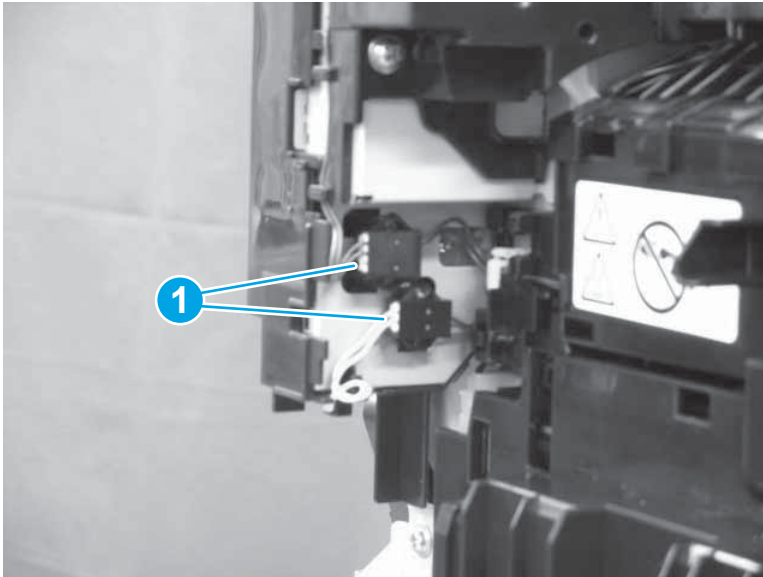
2. Remove two black screws (callout 1).

Figure 1-673 Remove the duplex drive assembly (2 of 4)



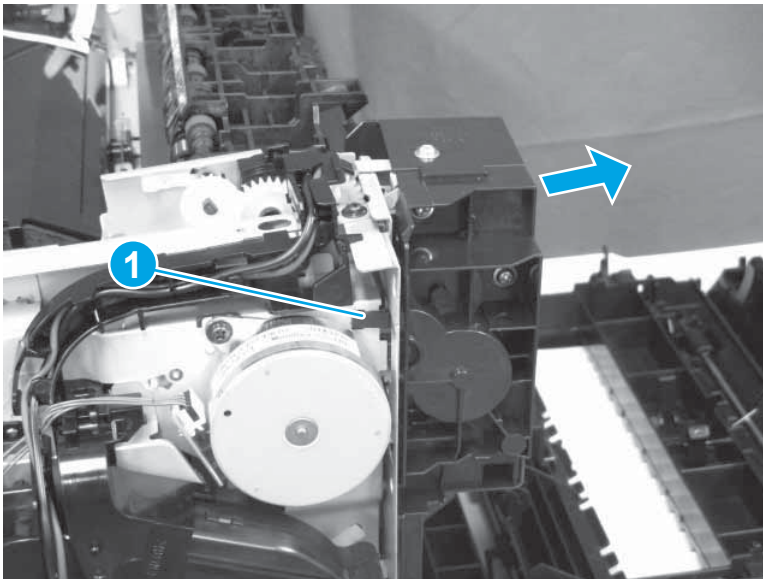
3. Disconnect two connectors (callout 1). Pulling the connectors away from the drive assembly first might make disconnecting them easier.

Figure 1-674 Remove the duplex drive assembly (3 of 4)



4. On the right side of the printer, just above the fuser motor, release one tab (callout 1), and then pull the duplex drive assembly away from the chassis in the direction indicated below.

Figure 1-675 Remove the duplex drive assembly (4 of 4)



Step 9: Remove the fuser

1. On the right side of the printer, release the low-voltage power supply cable (callout 1) and unroute it from the cable guide (callout 2).


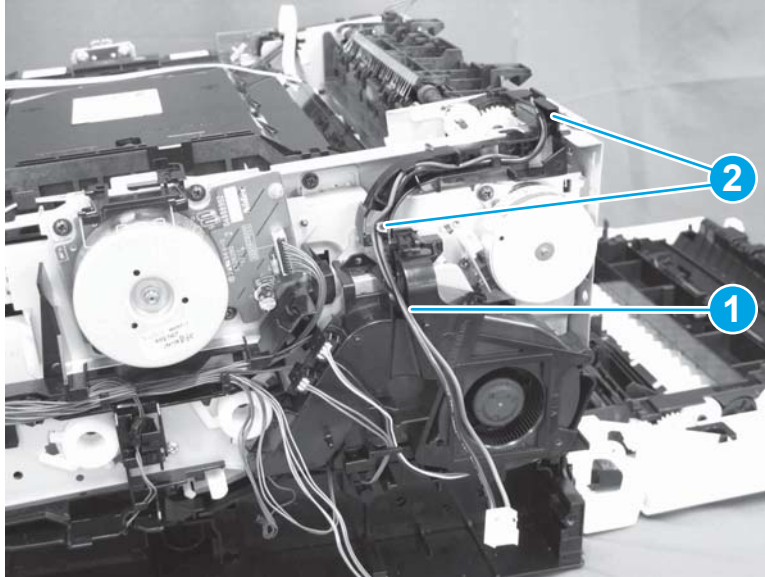
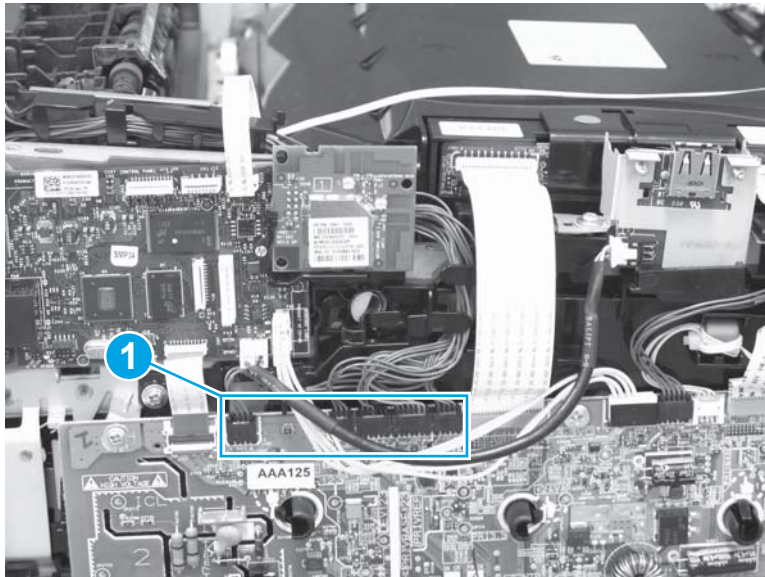
 **Reinstallation tip:** Loosening the screws that hold the LVPS in place, so that it can be pulled away from the chassis slightly, will help with disconnecting the cable from the LVPS.

Figure 1-676 Remove the fuser (1 of 4)



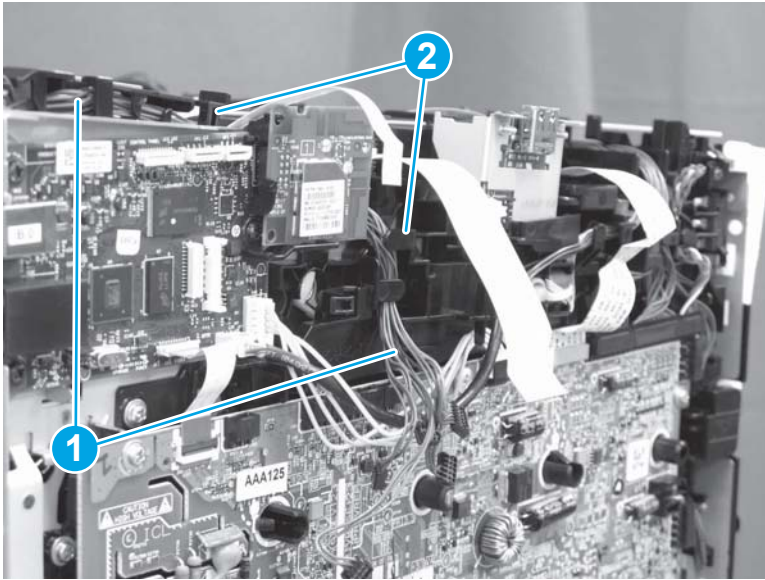
2. On the left side of the printer, disconnect five connectors (callout 1) on the engine controller unit.

Figure 1-677 Remove the fuser (2 of 4)



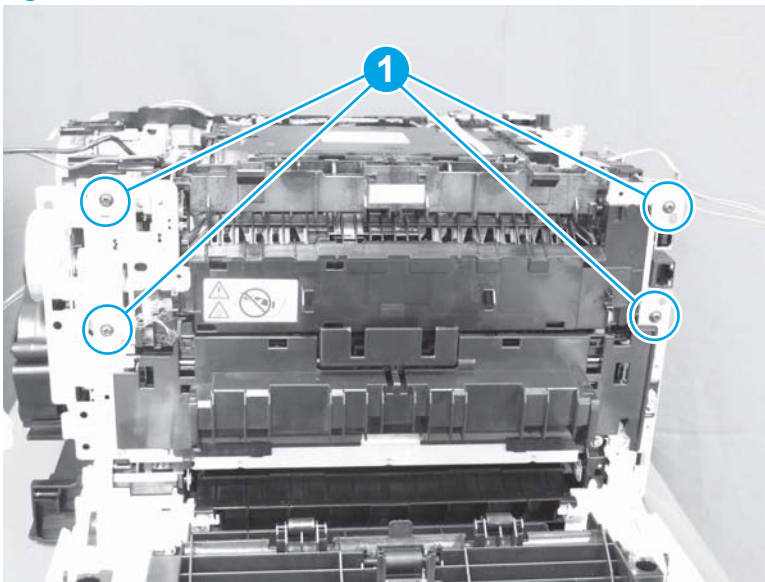
3. Unroute the engine controller unit cables (callout 1) from the cable guides (callout 2).

Figure 1-678 Remove the fuser (3 of 4)



4. Remove four screws (callout 1), and then pull the fuser away from the chassis.

Figure 1-679 Remove the fuser (4 of 4)



Step 10: Unpack a replacement fuser

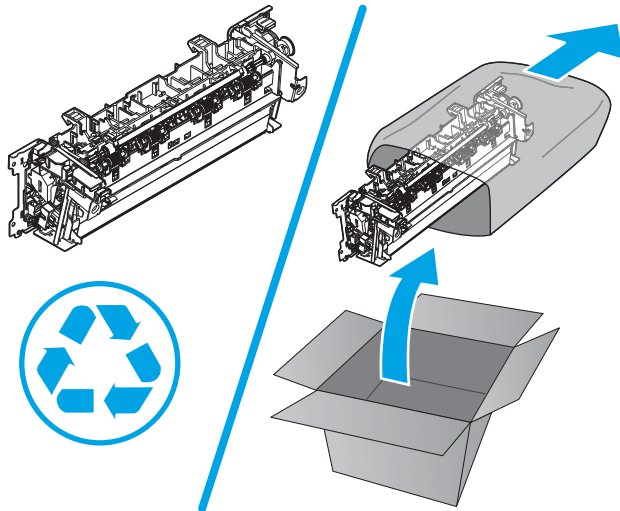
Remove the new fuser from its package. Save all packaging for recycling the used part.

For complete information on HP's recycling programs, go to <http://www8.hp.com/us/en/hp-information/environment/product-recycling.html>.



NOTE: HP recommends responsible disposal of the defective assembly.

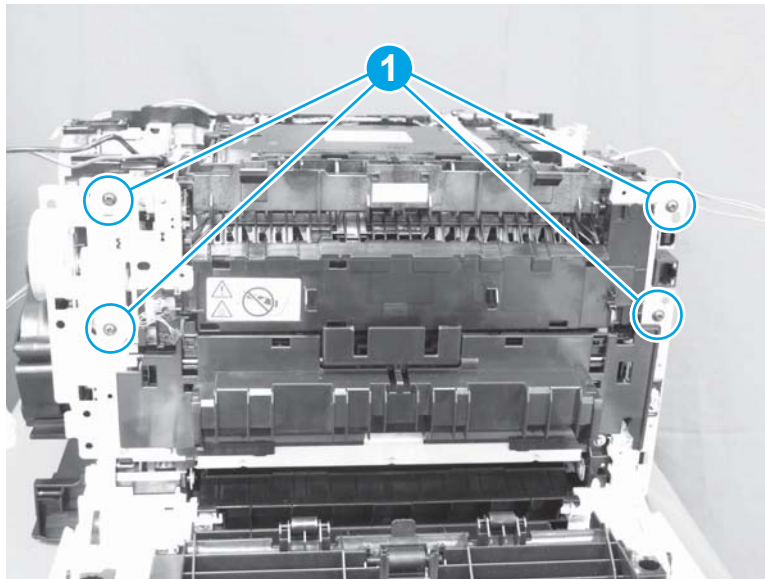
Figure 1-680 Recycle and unpack



Step 11: Install the fuser

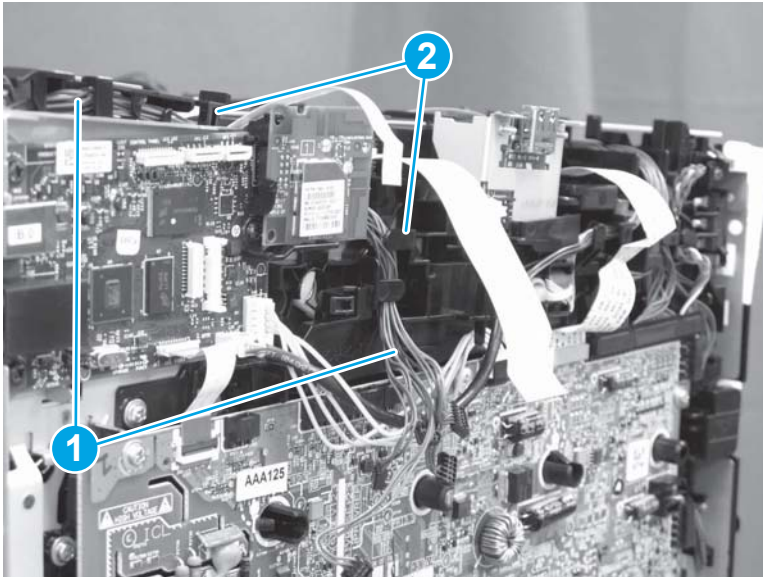
1. On the rear side of the printer, set the fuser in place in the chassis, and then install four screws (callout 1).

Figure 1-681 Install the fuser (1 of 4)



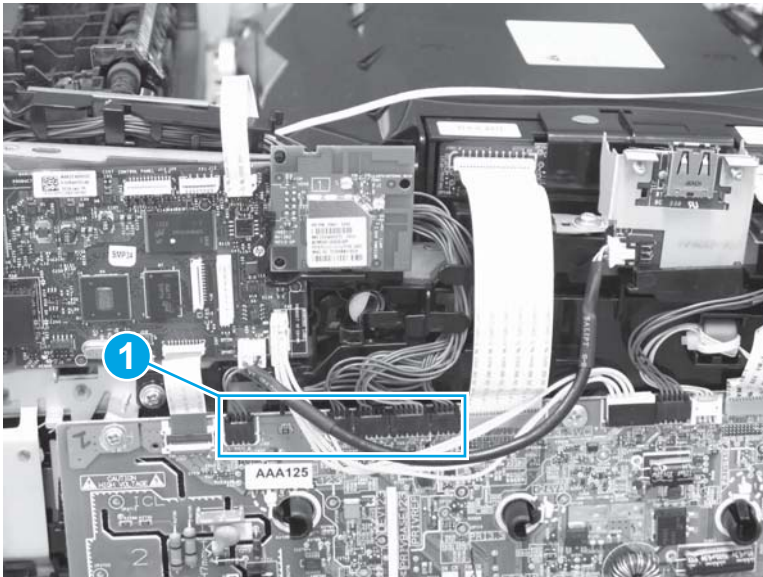
2. On the left side of the printer, route the engine controller unit cables (callout 1) through the cable guides (callout 2).

Figure 1-682 Install the fuser (2 of 4)



3. Connect five connectors (callout 1) on the engine controller unit.

Figure 1-683 Install the fuser (3 of 4)



4. On the right side of the printer, route the low-voltage power supply cable (callout 1) in the cable guide (callout 2), and then connect it to the LVPS.


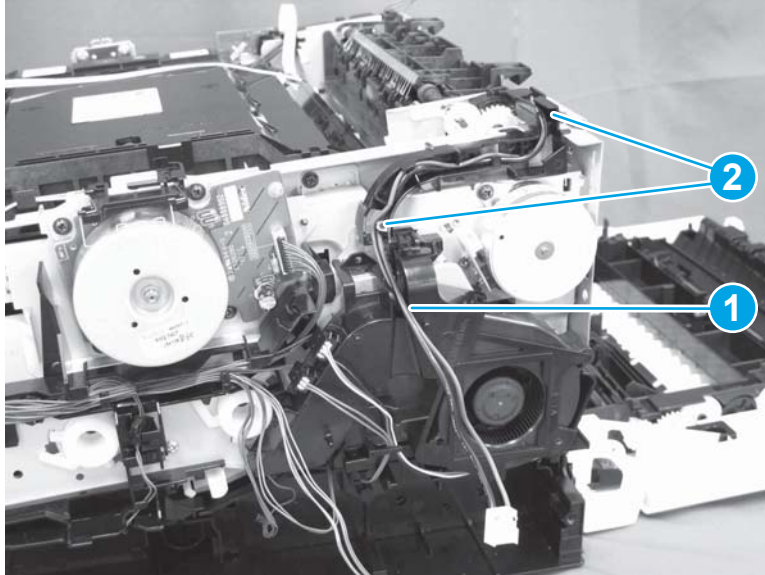
 **Reinstallation tip:** Loosening the screws that hold the LVPS in place, so that it can be pulled away from the chassis slightly, will help with reconnecting the cable to the LVPS.

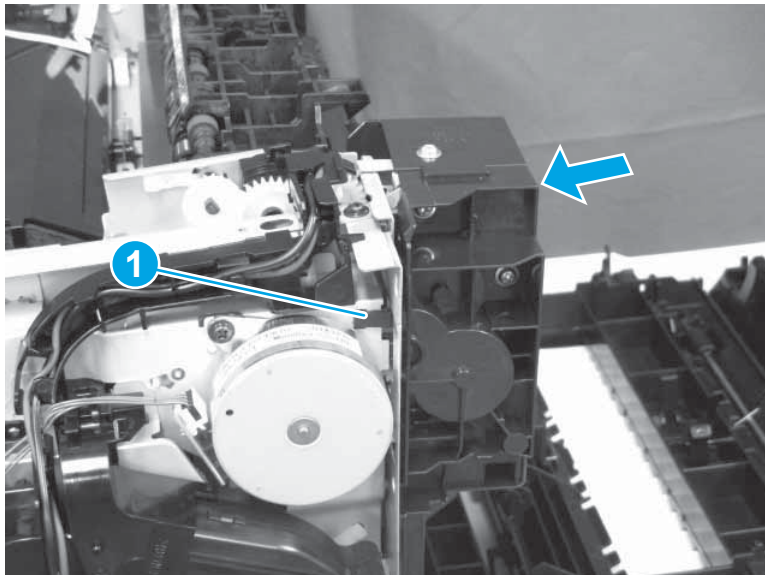
Figure 1-684 Install the fuser (4 of 4)



Step 12: Install the duplex drive assembly

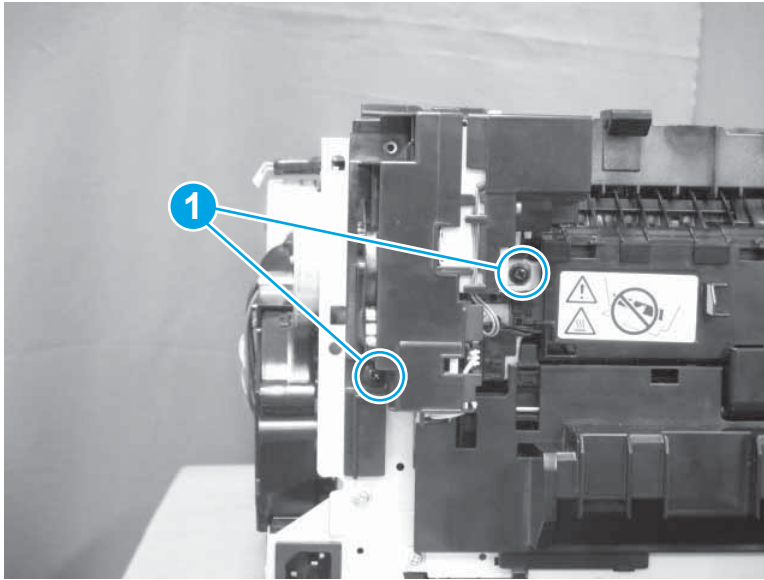
1. On the rear right corner of the printer, set the duplex drive assembly in place on the chassis, and then, just above the fuser motor, engage one tab (callout 1).

Figure 1-685 Install the duplex drive assembly (1 of 4)



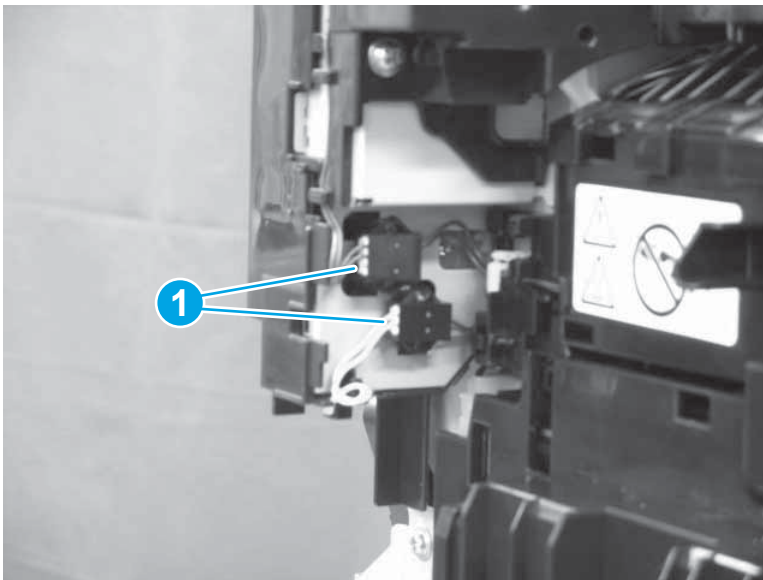
2. Install two black screws (callout 1).

Figure 1-686 Install the duplex drive assembly (2 of 4)



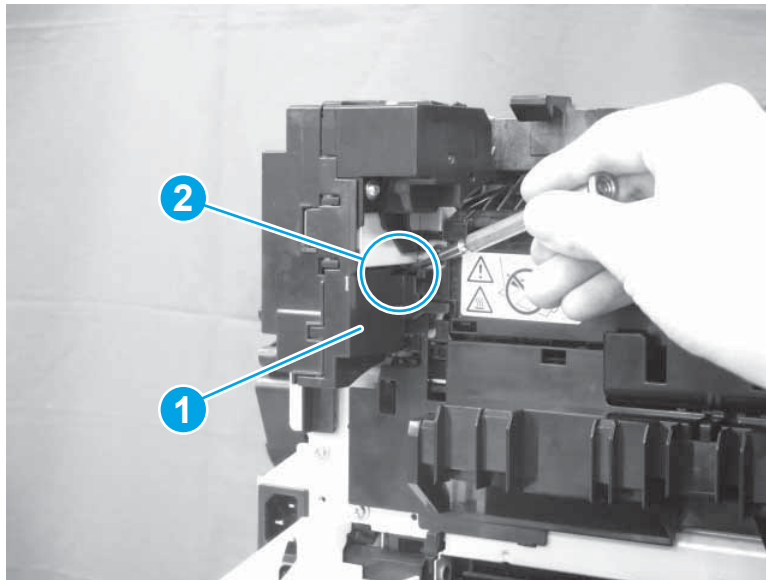
3. Connect two connectors (callout 1), and then clip them into place against the assembly.

Figure 1-687 Install the duplex drive assembly (3 of 4)



4. Set the cover (callout 1) in place, and then engage one tab (callout 2).

Figure 1-688 Install the duplex drive assembly (4 of 4)

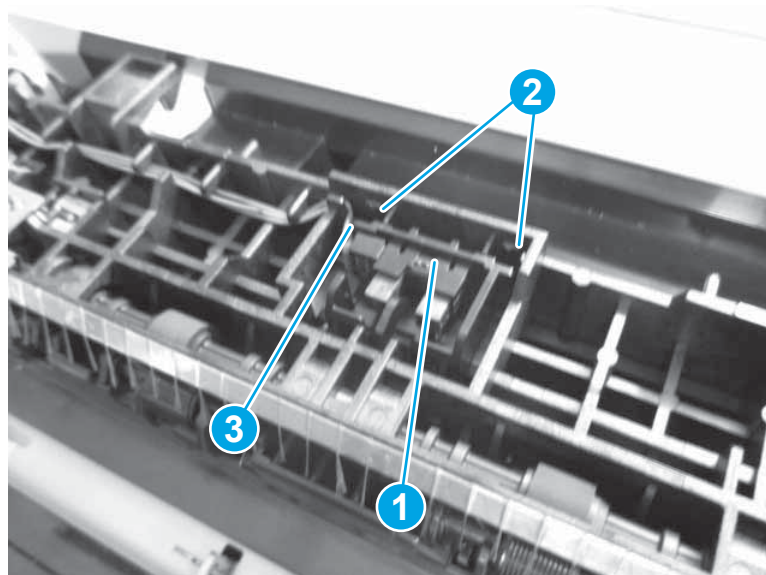


Step 13: Install the output sensor assembly

- ▲ At the top of the output bin, set the output sensor assembly (callout 1) in place, engage two tabs (callout 2), and then connect one connector (callout 3).

 **NOTE:** Unrouting the cable from the cable guides might make connecting the connector (callout 3) easier.

Figure 1-689 Install the output sensor assembly

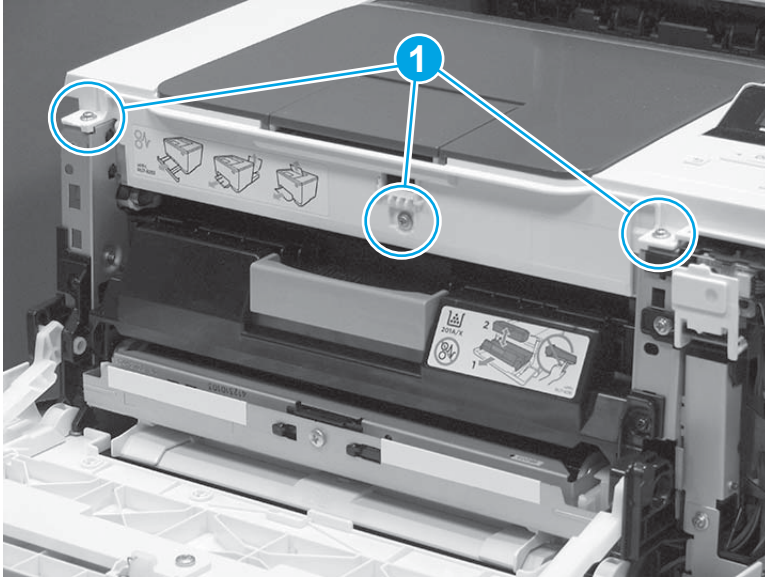


Step 14: Install the top cover

Install the M252n top cover

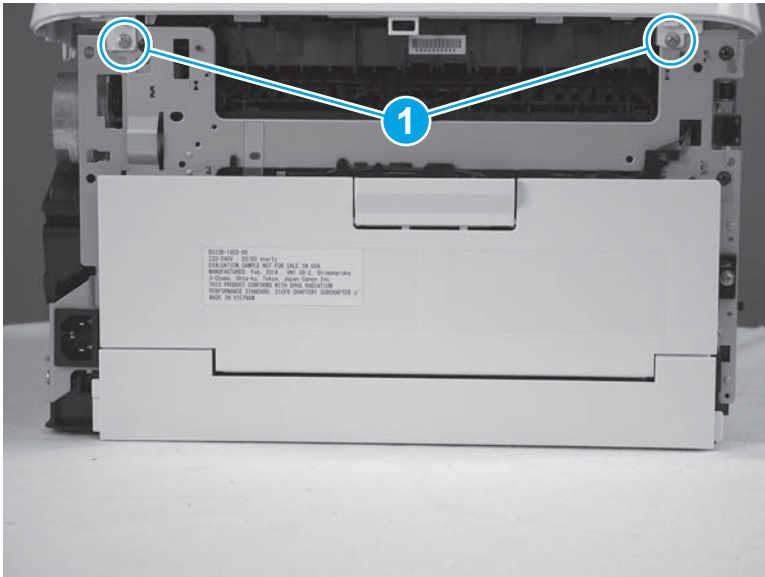
1. At the front of the printer, set the cover in place, and then install three screws (callout 1).

Figure 1-690 Install the M252n top cover (1 of 4)



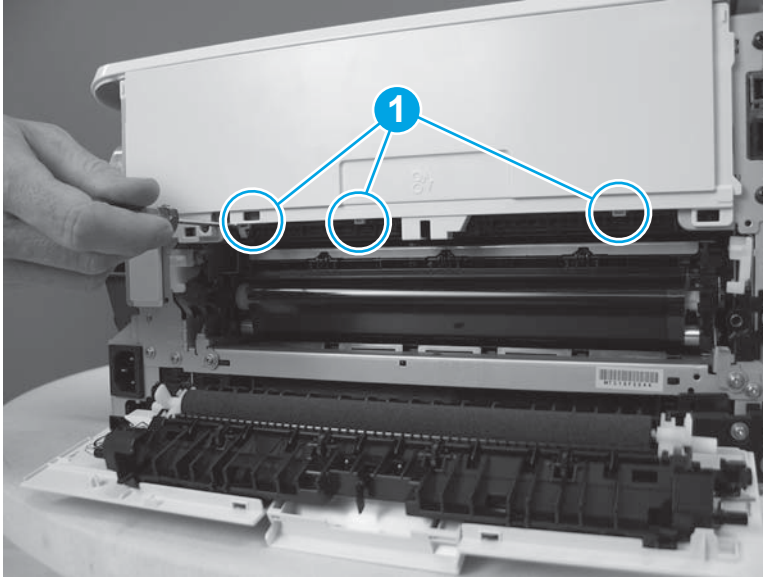
2. On the rear side of the printer, install two screws (callout 1).

Figure 1-691 Install the M252n top cover (2 of 4)



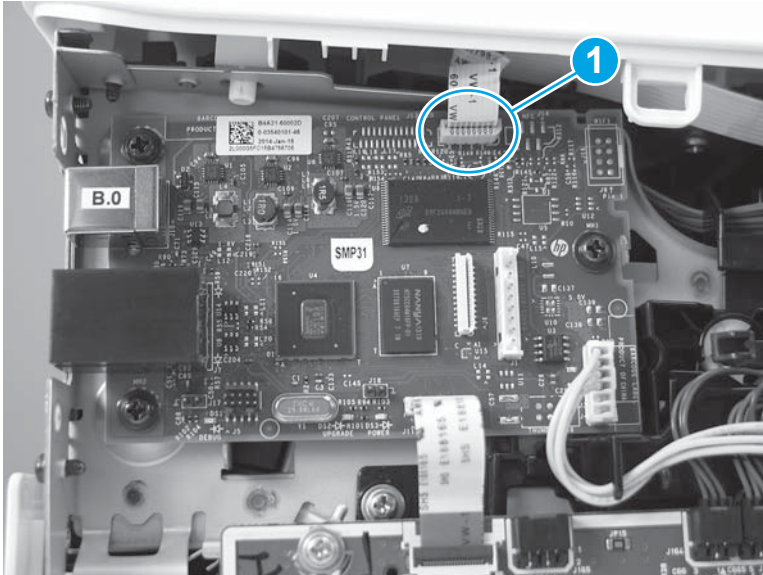
3. Open the rear door, and then install the upper rear cover by engaging three tabs (callout 1) at the bottom of the cover.

Figure 1-692 Install the M252n top cover (3 of 4)



4. On the left side of the printer, on the formatter, connect one connector (callout 1).

Figure 1-693 Install the M252n top cover (4 of 4)



Install the M252dw top cover

1. Set the cover in place, and then install five screws (callout 1) — three screws at the front and two screws at the rear.


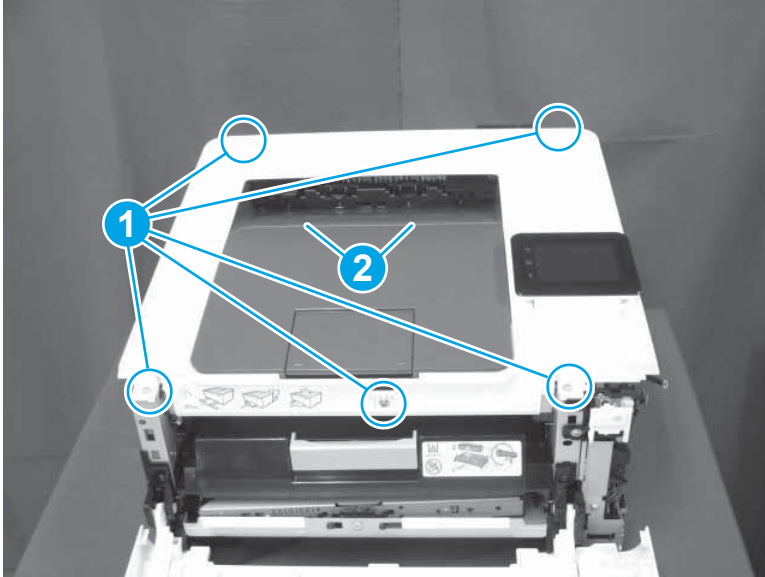
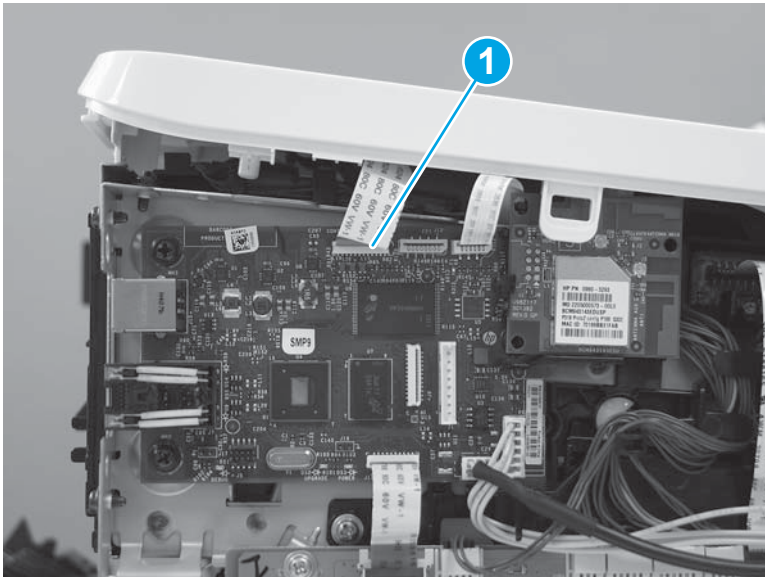
 **IMPORTANT:** Before installing the screws, press down along the rear edge of the cover (callout 2) to engage two retaining tabs (the tabs should snap into place).

Figure 1-694 Install the M252dw top cover (1 of 3)



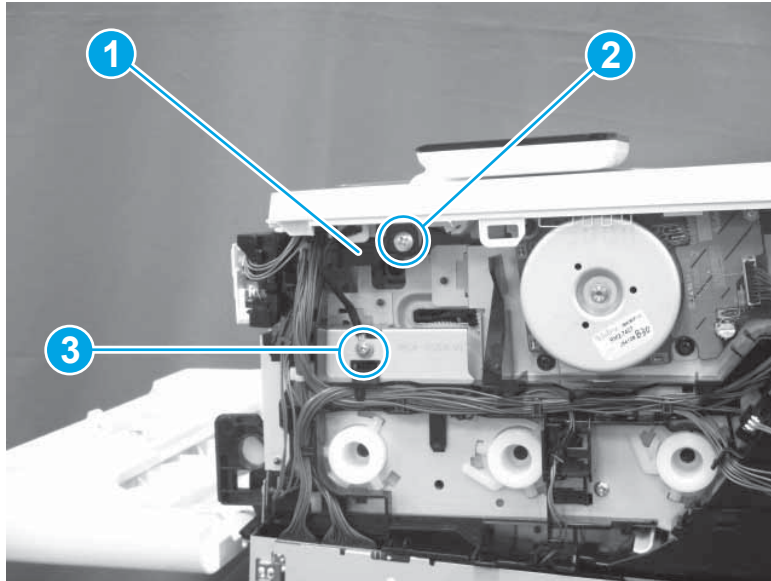
2. On the left side of the printer, on the formatter PCA, connect one flat cable (callout 1).

Figure 1-695 Install the M252dw top cover (2 of 3)



3. On the right side of the printer, push the plastic guide (callout 1) into the chassis, install one M4 tapping screw (callout 2), and install one screw (callout 3) to fasten the ground wire to the chassis.

Figure 1-696 Install the M252dw top cover (3 of 3)

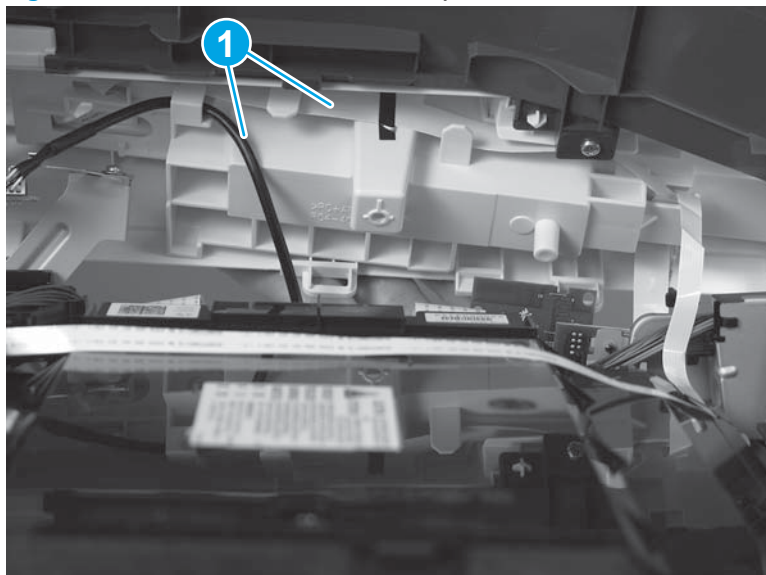


Install the M274, M277 top cover

1. Set the cover in place on the chassis, and then tilt the top cover. Underneath the cover, route the cables (callout 1) through their respective guides.

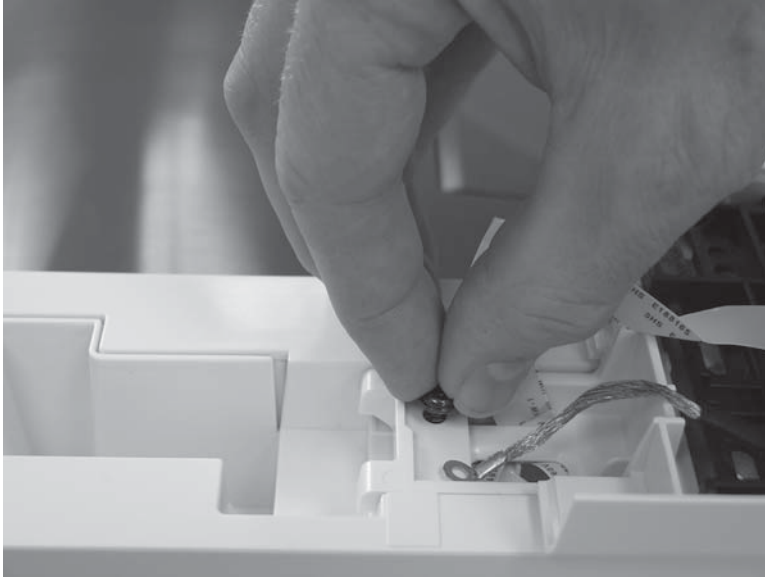
 **IMPORTANT:** After placing the cover on the printer, press down along the rear edge of the cover to engage two retaining tabs (the tabs should snap into place).

Figure 1-697 Install the M274, M277 top cover (1 of 10)



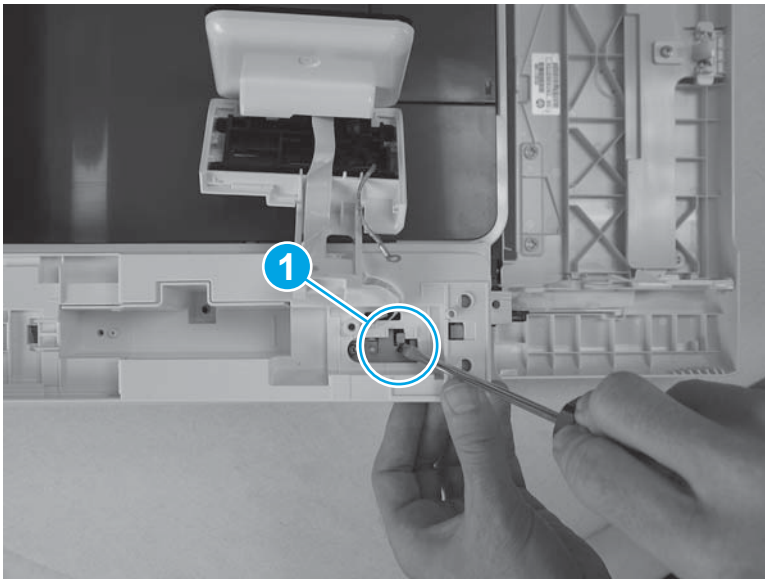
2. With your hand, unfasten the screw that was used to temporarily reattach the control panel to the top cover. Pull the control panel away from the cover to expose the tabs underneath.

Figure 1-698 Install the M274, M277 top cover (2 of 10)



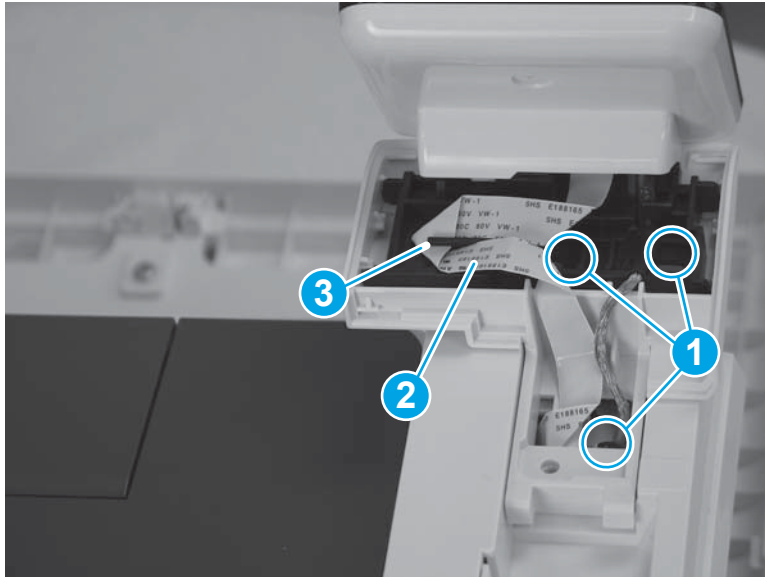
3. Use a small flat-blade screwdriver to engage two tabs (callout 1) that connect the top cover to the chassis.

Figure 1-699 Install the M274, M277 top cover (3 of 10)



4. Set the control-panel assembly in place, install three screws (callout 1), and then route the flat cable (callout 2) into the cable guide (callout 3).

Figure 1-700 Install the M274, M277 top cover (4 of 10)



5. Behind the control panel, set the control-panel cover in place, and then install one screw (callout 1).


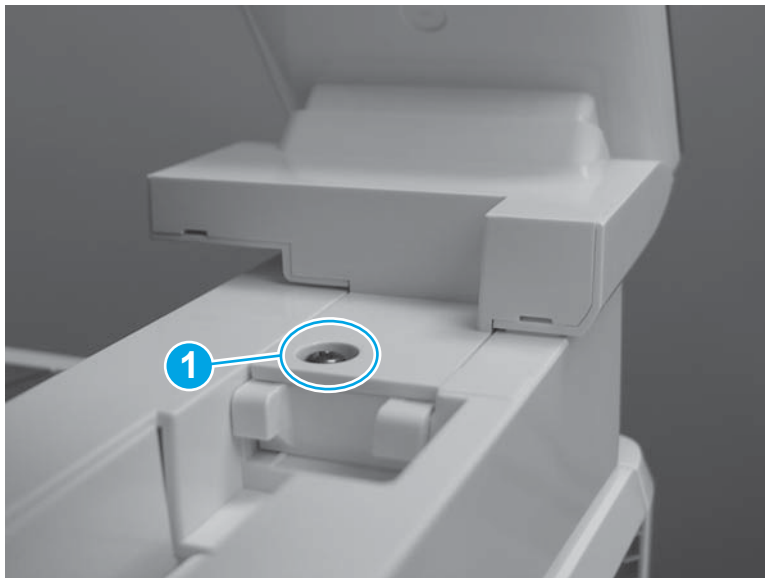
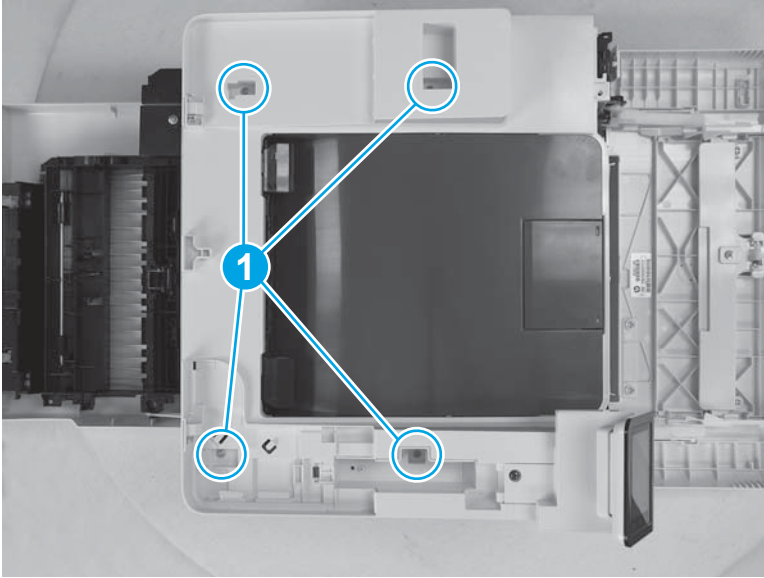
 **IMPORTANT:** Make sure that the front edge of the control panel is correctly installed and that it snaps into place.

Figure 1-701 Install the M274, M277 top cover (5 of 10)



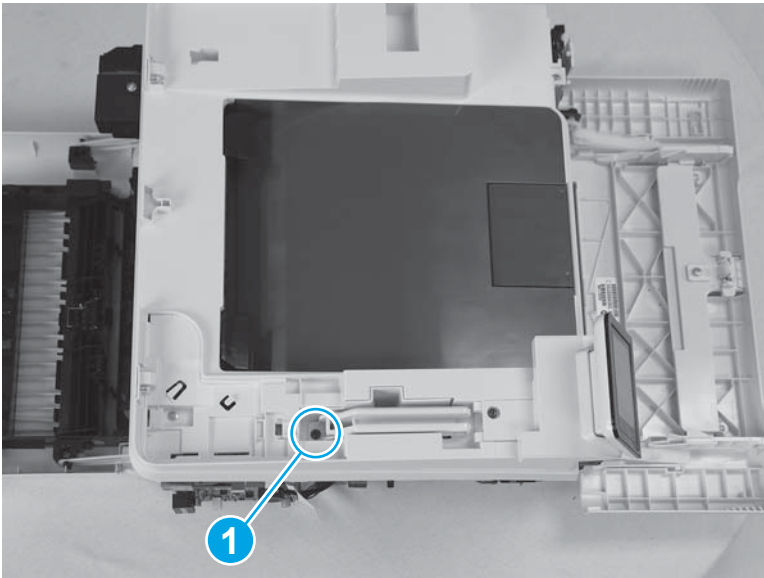
6. At the top of the printer, install four screws (callout 1).

Figure 1-702 Install the M274, M277 top cover (6 of 10)



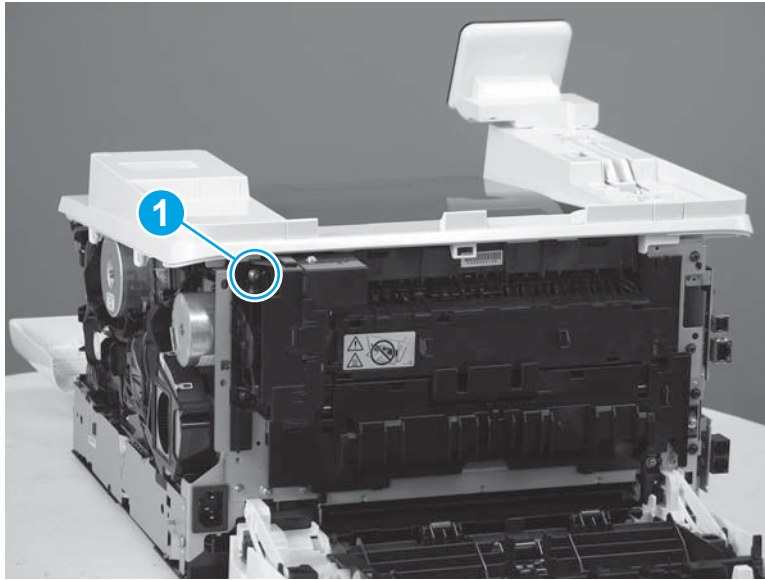
7. At the top of the printer, at the base of the scanner support arm, install one screw (callout 1).

Figure 1-703 Install the M274, M277 top cover (7 of 10)



- At the rear of the printer, install one screw (callout 1).

Figure 1-704 Install the M274, M277 top cover (8 of 10)

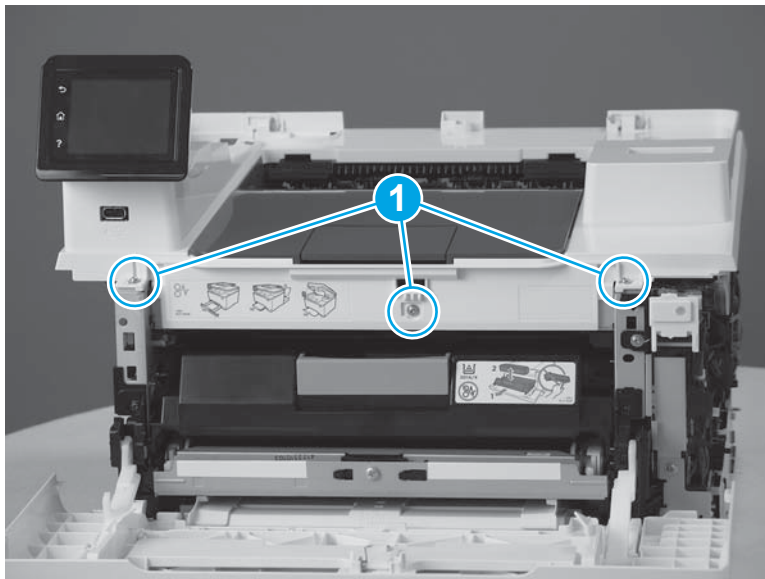


- At the front of the printer, install three screws (callout 1).



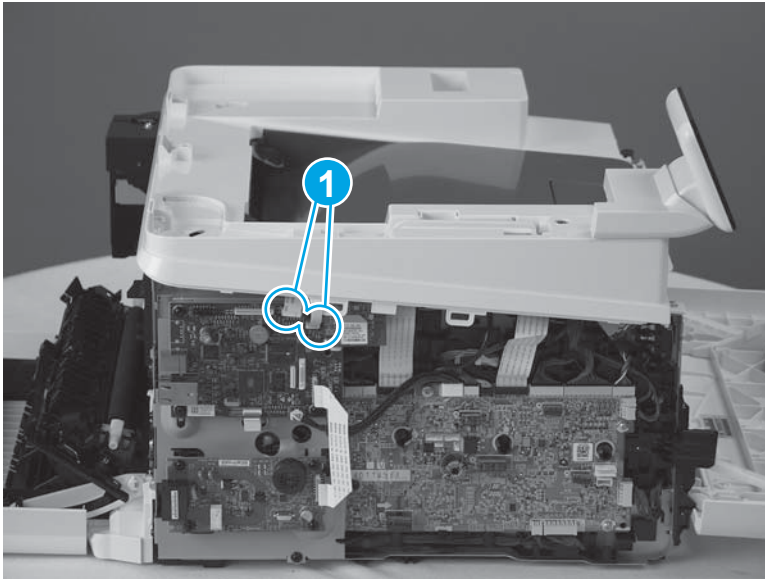
NOTE: To install the screw beneath the control panel, you might need to use an offset screwdriver.

Figure 1-705 Install the M274, M277 top cover (9 of 10)



10. On the left side of the printer, on the formatter PCA, connect two connectors (callout 1).

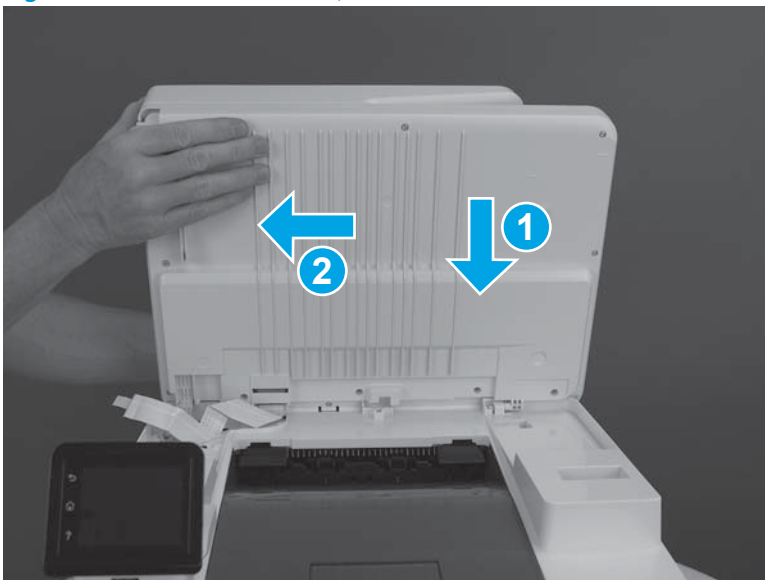
Figure 1-706 Install the M274, M277 top cover (10 of 10)



Step 15: Install the scanner (M274, M277 models)

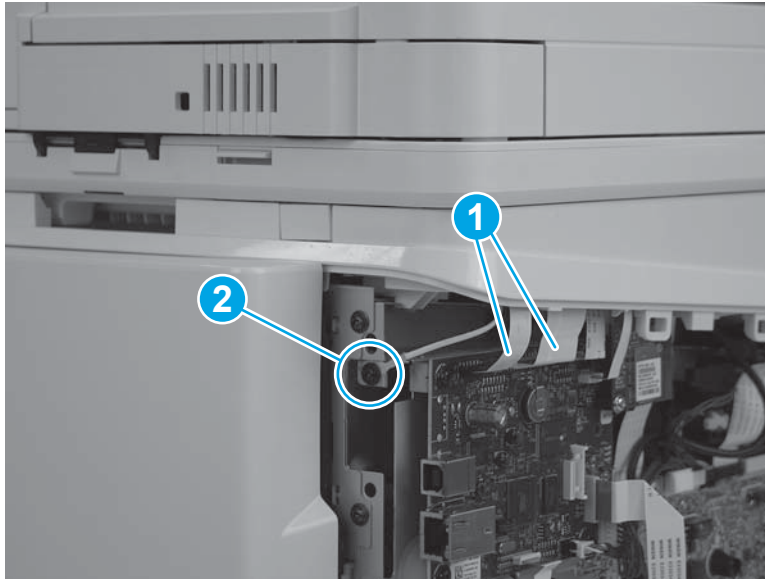
1. Open the scanner assembly fully, lower the assembly onto the chassis, and then slide the assembly in the direction indicated.

Figure 1-707 Install the M274, M277 scanner (1 of 4)



2. On the left side of the printer, connect two connectors (callout 1) and install one screw (callout 2).

Figure 1-708 Install the M274, M277 scanner (2 of 4)



3. On the scanner bed, snap the scanner cable cover in place.

Figure 1-709 Install the M274, M277 scanner (3 of 4)



4. With the scanner lid lifted, inset the scanner support arm pin (callout 1), and then rotate the tab in the direction indicated until it snaps into the slot.

Figure 1-710 Install the M274, M277 scanner (4 of 4)



Step 16: Install the left cover

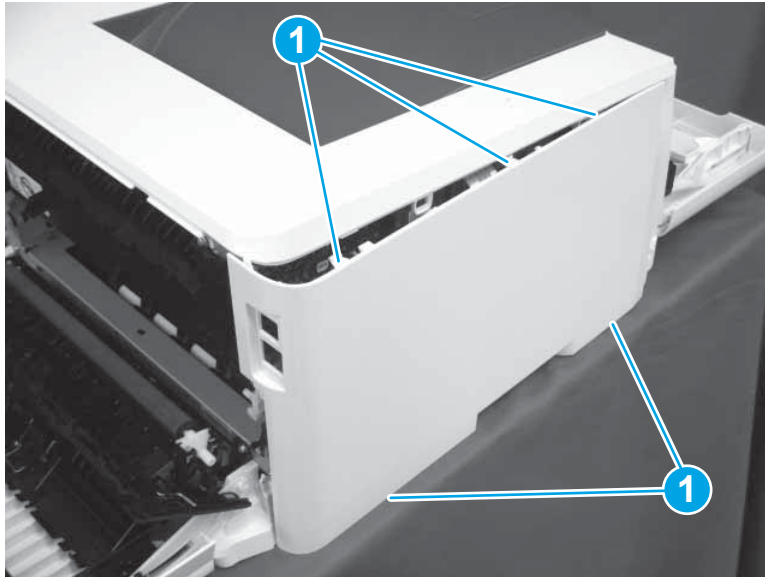
1. Engage the bottom front cover tab in the chassis, and then raise the top part of the cover to set the front tabs in place.

Figure 1-711 Install the left cover (1 of 3)



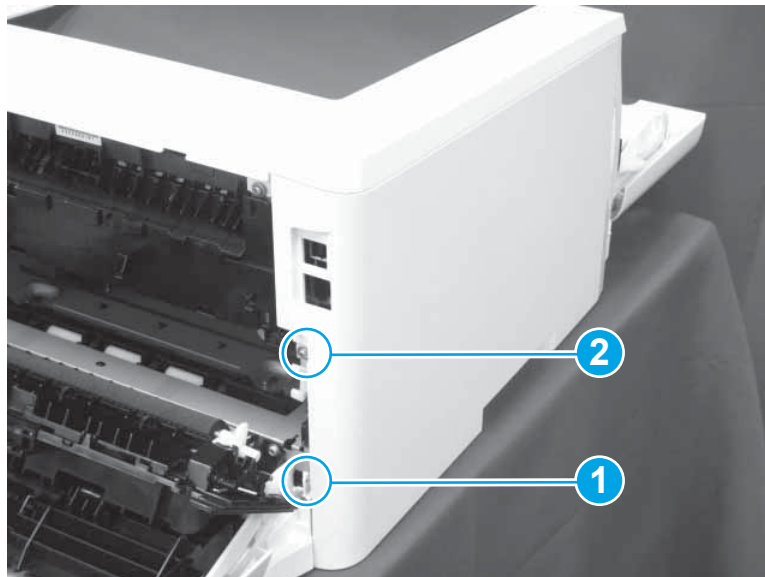
2. Working from the front edge to the back edge, engage five tabs (callout 1) along the top and bottom of the cover.

Figure 1-712 Install the left cover (2 of 3)



3. At the rear of the printer, engage one tab (callout 1), and then install one screw (callout 2).

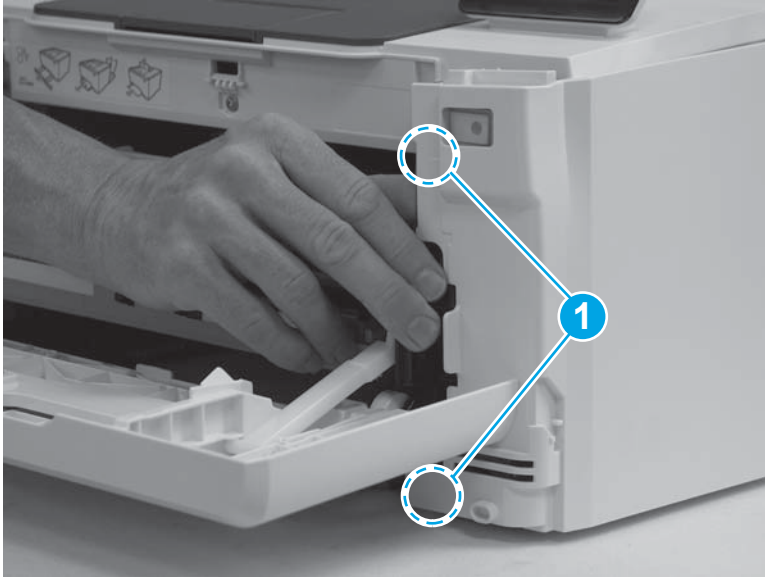
Figure 1-713 Install the left cover (3 of 3)



Step 17: Install the right cover

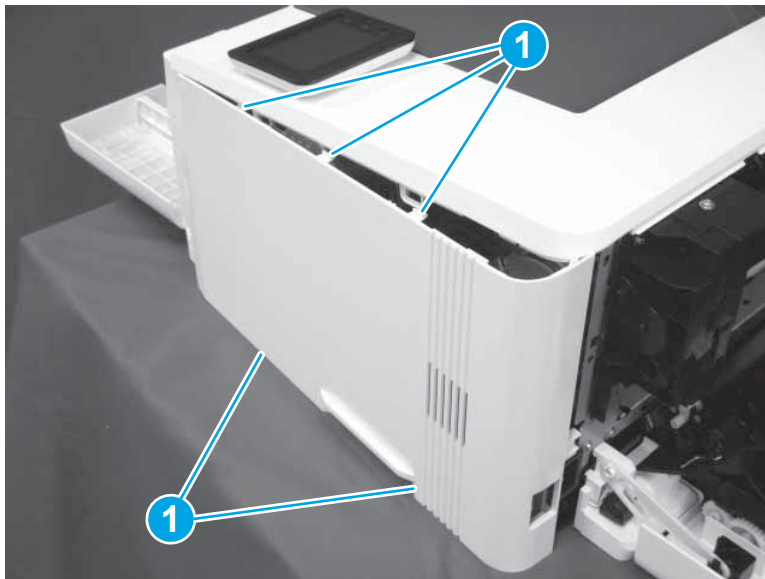
1. At the front of the printer, position two tabs (callout 1) in the chassis.

Figure 1-714 Install the right cover (1 of 3)



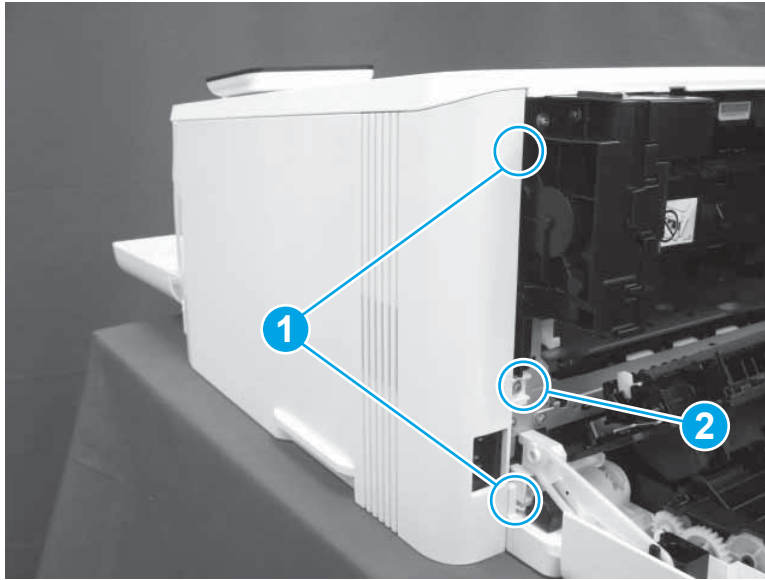
2. Moving from the front to the back, set five tabs (callout 1) along the top and bottom of the cover.

Figure 1-715 Install the right cover (2 of 3)



3. At the rear of the printer, set two tabs (callout 1), and then install one screw (callout 2).

Figure 1-716 Install the right cover (3 of 3)



Step 18: Close the front door and rear door or duplexer door

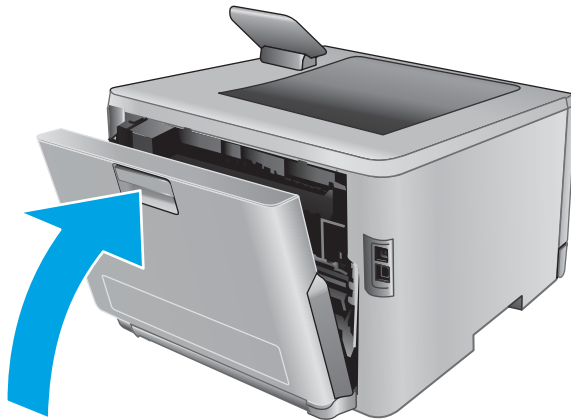
1. Close the front door.

Figure 1-717 Close the front door and rear door or duplexer door (1 of 2)



2. Close the rear door (simplex models) or duplexer door (duplex models).

Figure 1-718 Close the front door and rear door or duplexer door (2 of 2)



Step 19: Install Tray 2

- ▲ Align Tray 2 with the tray cavity, and then push the tray into the printer.

Figure 1-719 Install Tray 2



Removal and replacement: Main motor


- [Introduction](#)
- [Step 1: Remove Tray 2](#)
- [Step 2: Open the front door and rear door or duplexer door](#)
- [Step 3: Remove the right cover](#)
- [Step 4: Remove the main motor](#)
- [Step 5: Unpack a replacement main motor](#)
- [Step 6: Install the main motor](#)
- [Step 7: Install the right cover](#)
- [Step 8: Close the front door and rear door or duplexer door](#)
- [Step 9: Install Tray 2](#)

Introduction

This document provides the procedures to remove and replace the main motor.

Before you begin

- Turn off the printer.
- Disconnect the power cable.

 **WARNING!** To avoid damage to the printer, turn the printer off, wait 30 seconds, and then remove the power cord before attempting to service the printer.

- Use the table below to identify the correct part number for your printer. To order the part, go to www.hp.com/buy/parts.

Main motor part number	
------------------------	--



RM2-7407-000CN	Main motor
----------------	------------

Required tools

- #2 Phillips screwdriver with a magnetic tip

After performing service

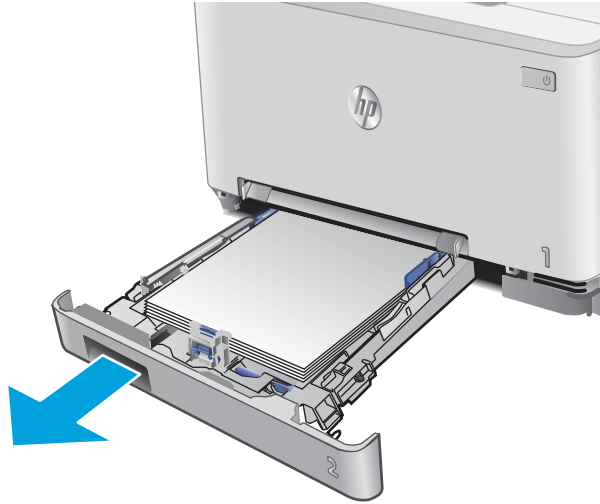
- Connect the power cable.
- Use the power switch to turn the power on.

 **CAUTION:**  This printer contains components that can be damaged by electrostatic discharge (ESD). To reduce the chance of ESD damage, place the printer on an ESD mat (if available), and wear an ESD wrist strap connected to a grounded surface. If an ESD workstation or mat is not available, ground yourself by touching the sheet-metal chassis before touching an ESD-sensitive part.

Step 1: Remove Tray 2

- ▲ Using the handle on the face of Tray 2, pull the tray completely out of the printer.

Figure 1-720 Remove Tray 2



Step 2: Open the front door and rear door or duplexer door

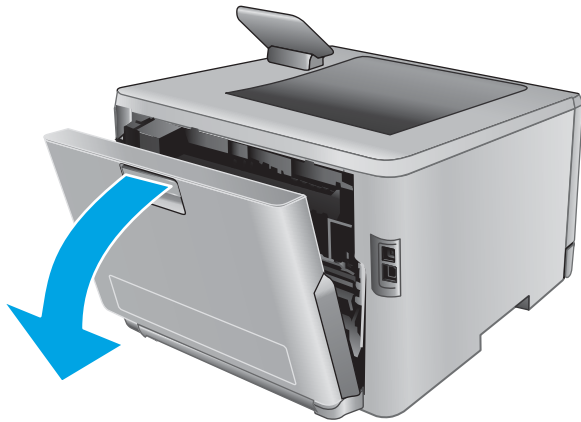
1. Open the front door.

Figure 1-721 Open the front door and rear door or duplexer door (1 of 2)



2. Use the latch release to open the rear door (simplex models) or duplexer door (duplex models).

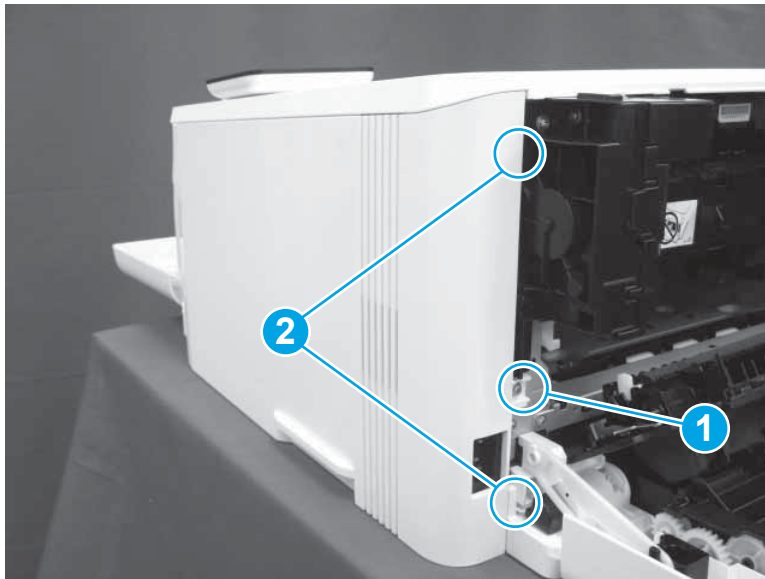
Figure 1-722 Open the front door and rear door or duplexer door (2 of 2)



Step 3: Remove the right cover

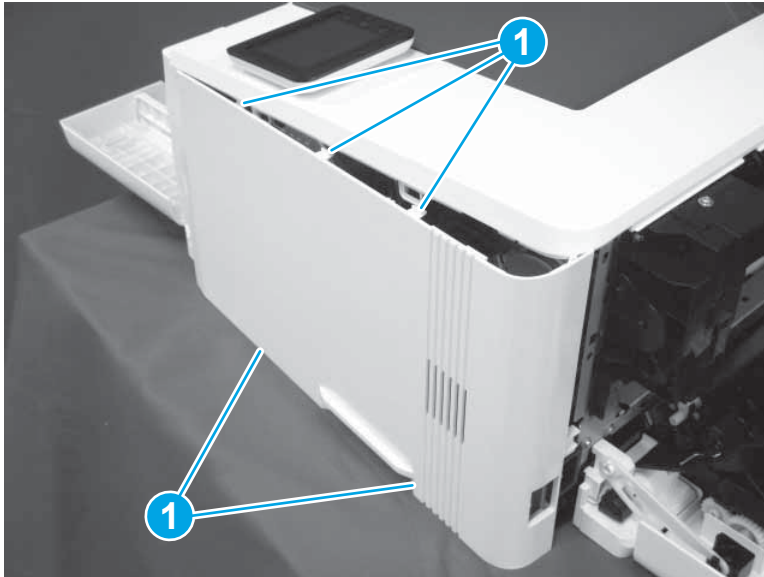
1. At the rear of the printer, remove one screw (callout 1), and then release two tabs (callout 2).

Figure 1-723 Remove the right cover (1 of 3)



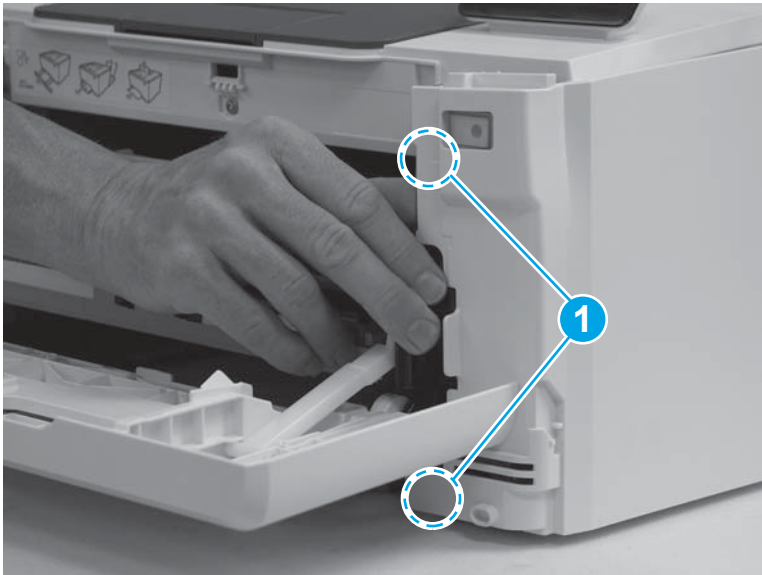
2. Release five tabs (callout 1) along the top and bottom of the cover. Releasing the top tabs first can ease this task.

Figure 1-724 Remove the right cover (2 of 3)



3. At the front of the printer, release two tabs (callout 1), and then remove the cover from the printer.

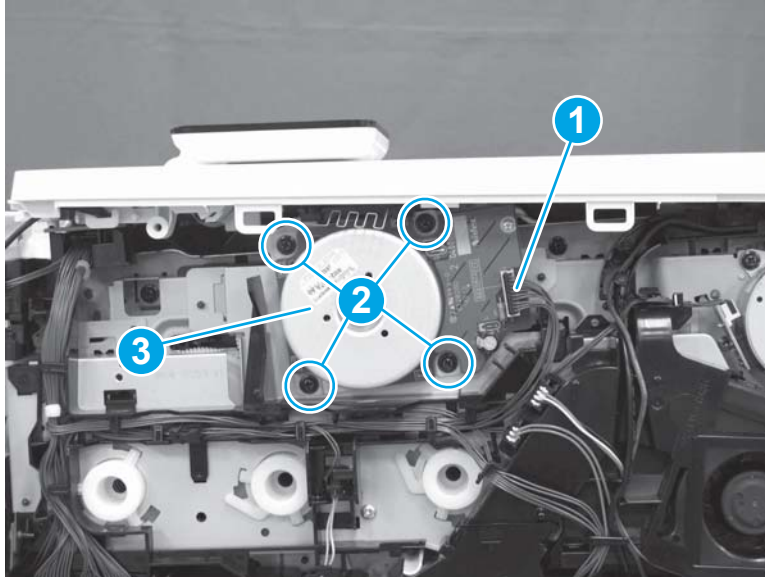
Figure 1-725 Remove the right cover (3 of 3)



Step 4: Remove the main motor

- ▲ On the right side of the printer, disconnect one connector (callout 1), remove four black screws (callout 2), and then pull the main motor (callout 3) away from the chassis.

Figure 1-726 Remove the main motor



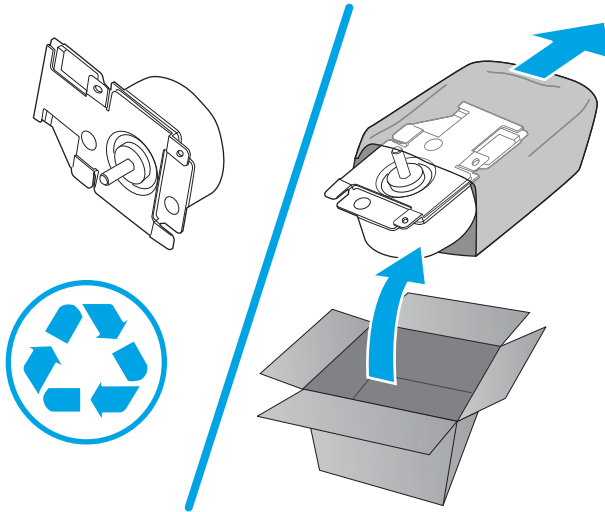
Step 5: Unpack a replacement main motor

Remove the new main motor from its package. Save all packaging for recycling the used part.

For complete information on HP's recycling programs, go to <http://www8.hp.com/us/en/hp-information/environment/product-recycling.html>.

 **NOTE:** HP recommends responsible disposal of the defective assembly.

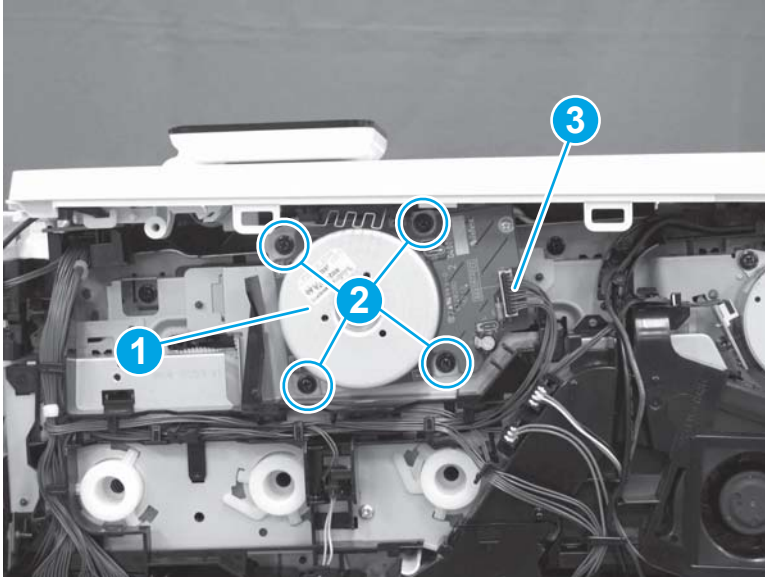
Figure 1-727 Recycle and unpack



Step 6: Install the main motor

- ▲ On the right side of the printer, set the main motor (callout 1) in place, install four black screws (callout 2), and then connect one connector (callout 3).

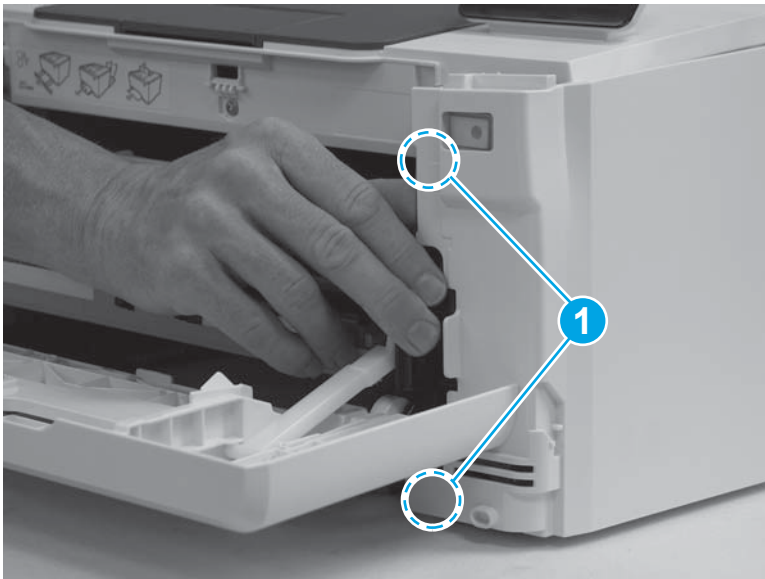
Figure 1-728 Install the main motor



Step 7: Install the right cover

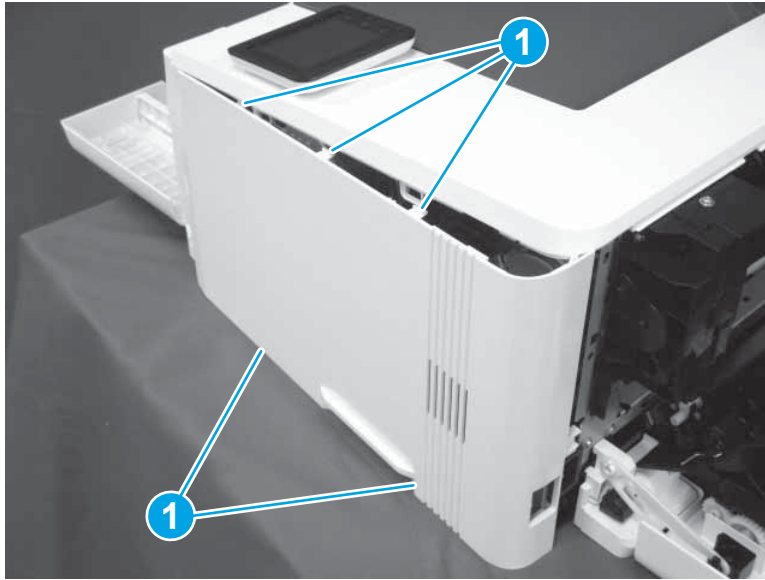
1. At the front of the printer, position two tabs (callout 1) in the chassis.

Figure 1-729 Install the right cover (1 of 3)



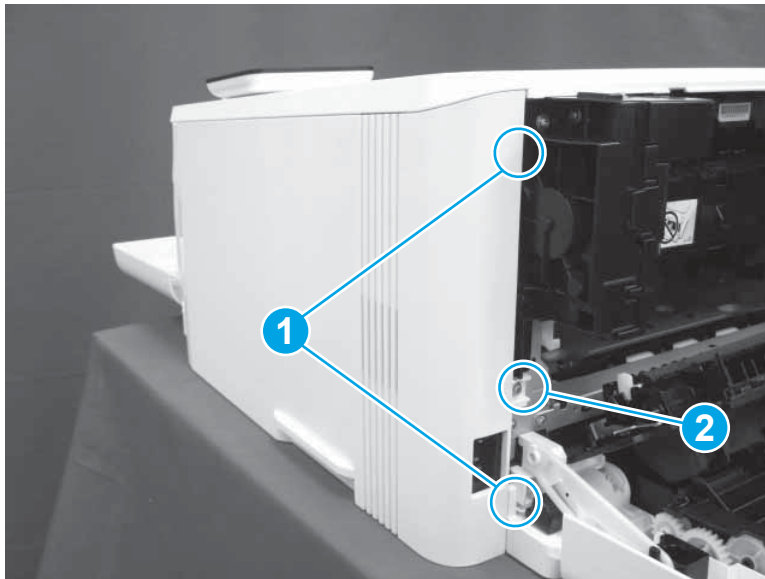
2. Moving from the front to the back, set five tabs (callout 1) along the top and bottom of the cover.

Figure 1-730 Install the right cover (2 of 3)



3. At the rear of the printer, set two tabs (callout 1), and then install one screw (callout 2).

Figure 1-731 Install the right cover (3 of 3)



Step 8: Close the front door and rear door or duplexer door

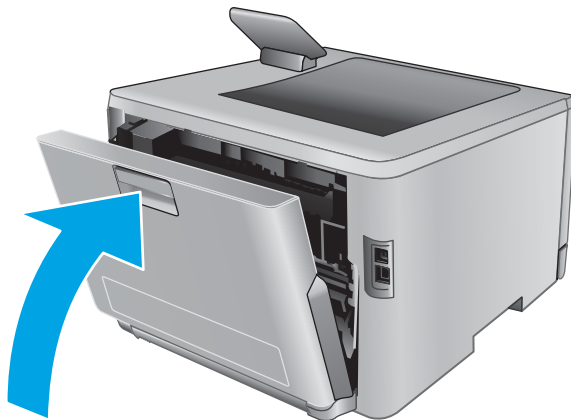
1. Close the front door.

Figure 1-732 Close the front door and rear door or duplexer door (1 of 2)



2. Close the rear door (simplex models) or duplexer door (duplex models).

Figure 1-733 Close the front door and rear door or duplexer door (2 of 2)



Step 9: Install Tray 2

- ▲ Align Tray 2 with the tray cavity, and then push the tray into the printer.

Figure 1-734 Install Tray 2



Removal and replacement: Fuser motor


- [Introduction](#)
- [Step 1: Remove Tray 2](#)
- [Step 2: Open the front door and rear door or duplexer door](#)
- [Step 3: Remove the right cover](#)
- [Step 4: Remove the fuser motor](#)
- [Step 5: Unpack a replacement fuser motor](#)
- [Step 6: Install the fuser motor](#)
- [Step 7: Install the right cover](#)
- [Step 8: Close the front door and rear door or duplexer door](#)
- [Step 9: Install Tray 2](#)

Introduction

This document provides the procedures to remove and replace the fuser motor.

Before you begin

- Turn off the printer.
- Disconnect the power cable.

 **WARNING!** To avoid damage to the printer, turn the printer off, wait 30 seconds, and then remove the power cord before attempting to service the printer.

- Use the table below to identify the correct part number for your printer. To order the part, go to www.hp.com/buy/parts.

Fuser motor part number	
-------------------------	--



RM2-7409-000CN	Fuser motor
----------------	-------------

Required tools

- #2 Phillips screwdriver with a magnetic tip

After performing service

- Connect the power cable.
- Use the power switch to turn the power on.

 **CAUTION:**  This printer contains components that can be damaged by electrostatic discharge (ESD). To reduce the chance of ESD damage, place the printer on an ESD mat (if available), and wear an ESD wrist strap connected to a grounded surface. If an ESD workstation or mat is not available, ground yourself by touching the sheet-metal chassis before touching an ESD-sensitive part.

Step 1: Remove Tray 2

- ▲ Using the handle on the face of Tray 2, pull the tray completely out of the printer.

Figure 1-735 Remove Tray 2



Step 2: Open the front door and rear door or duplexer door

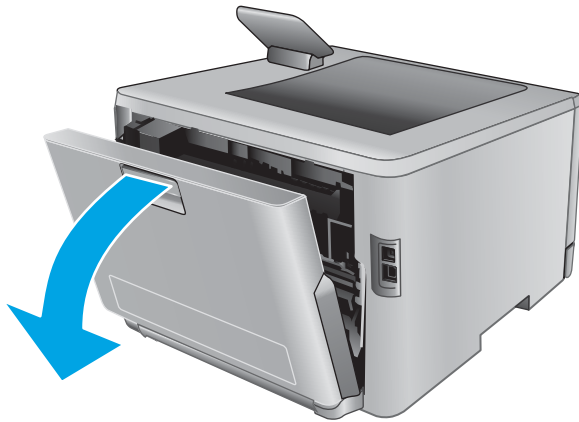
1. Open the front door.

Figure 1-736 Open the front door and rear door or duplexer door (1 of 2)



2. Use the latch release to open the rear door (simplex models) or duplexer door (duplex models).

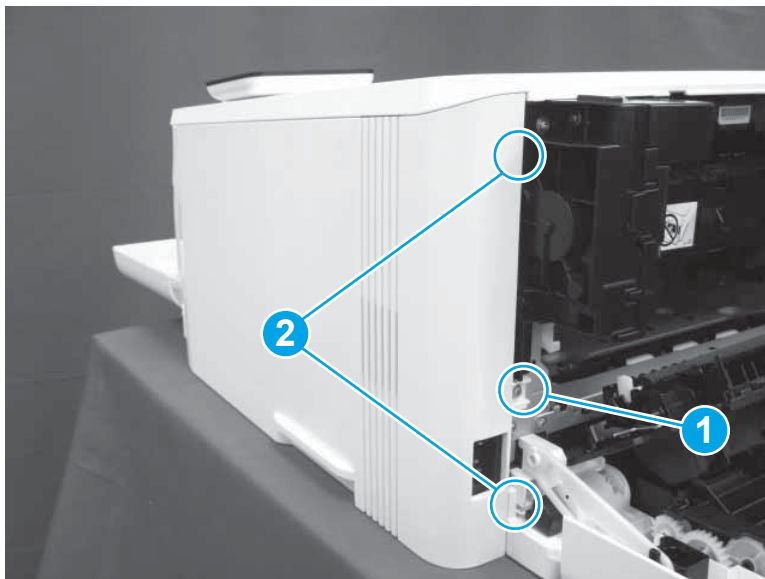
Figure 1-737 Open the front door and rear door or duplexer door (2 of 2)



Step 3: Remove the right cover

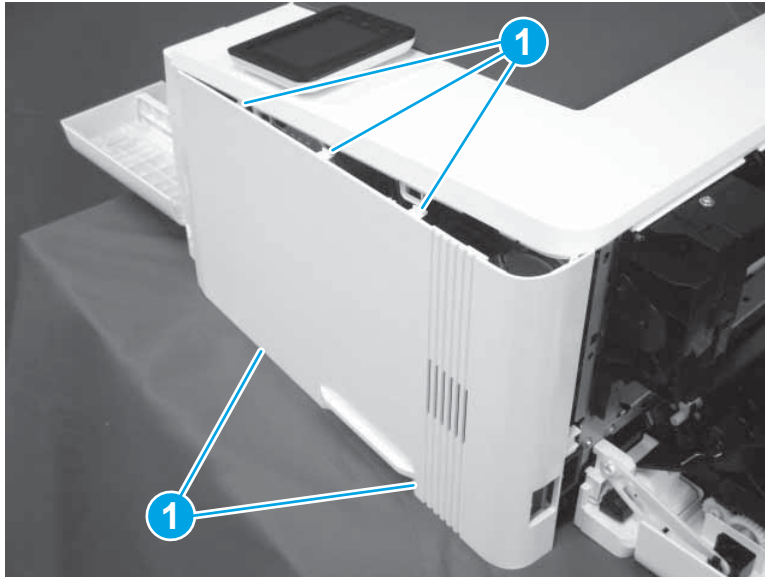
1. At the rear of the printer, remove one screw (callout 1), and then release two tabs (callout 2).

Figure 1-738 Remove the right cover (1 of 3)



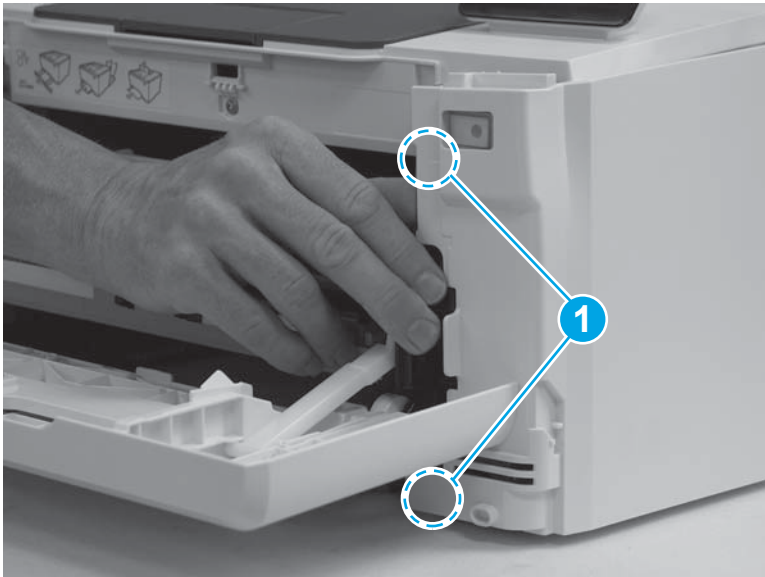
2. Release five tabs (callout 1) along the top and bottom of the cover. Releasing the top tabs first can ease this task.

Figure 1-739 Remove the right cover (2 of 3)



3. At the front of the printer, release two tabs (callout 1), and then remove the cover from the printer.

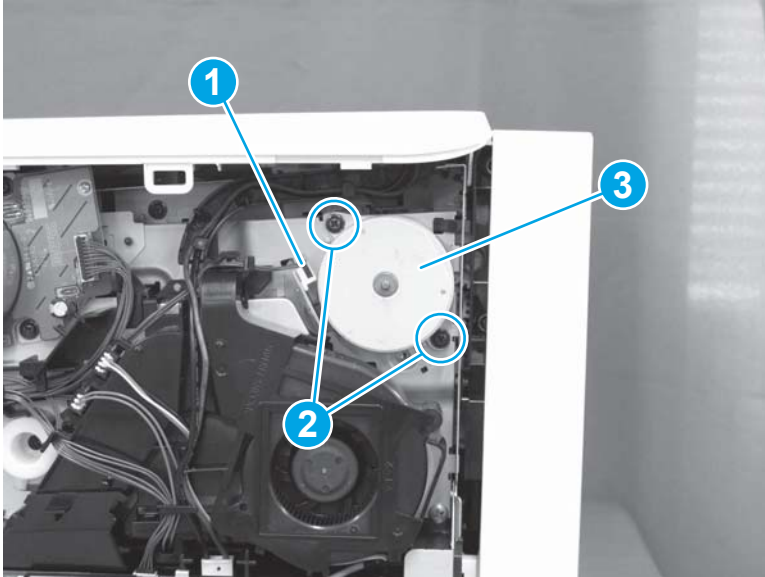
Figure 1-740 Remove the right cover (3 of 3)



Step 4: Remove the fuser motor

- ▲ On the right side of the printer, disconnect one connector (callout 1), remove two black screws (callout 2), and then pull the fuser motor (callout 3) away from the chassis.

Figure 1-741 Remove the fuser motor



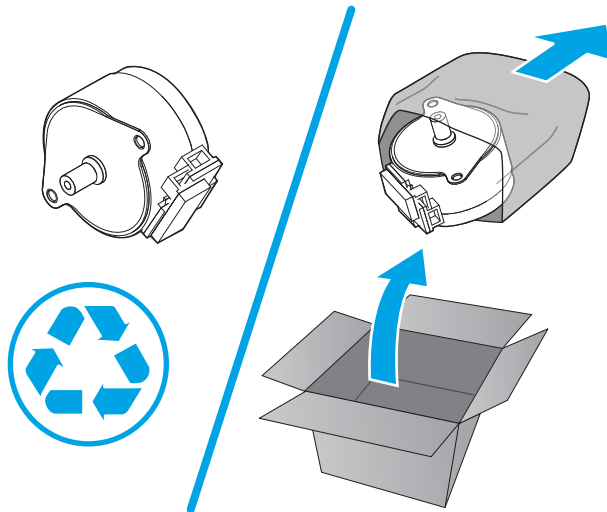
Step 5: Unpack a replacement fuser motor

Remove the new fuser motor from its package. Save all packaging for recycling the used part.

For complete information on HP's recycling programs, go to <http://www8.hp.com/us/en/hp-information/environment/product-recycling.html>.

 **NOTE:** HP recommends responsible disposal of the defective assembly.

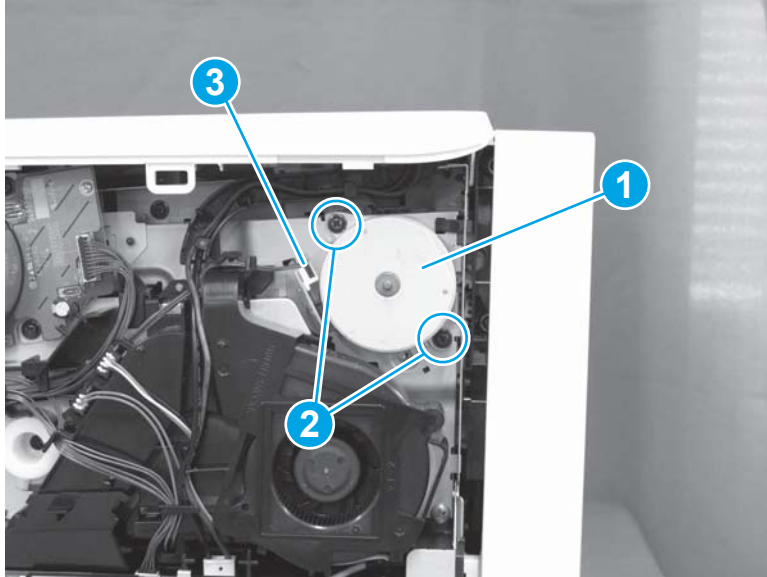
Figure 1-742 Recycle and unpack



Step 6: Install the fuser motor

- ▲ On the right side of the printer, set the fuser motor (callout 1) into place, install two black screws (callout 2), and then connect one connector (callout 3).

Figure 1-743 Install the fuser motor



Step 7: Install the right cover

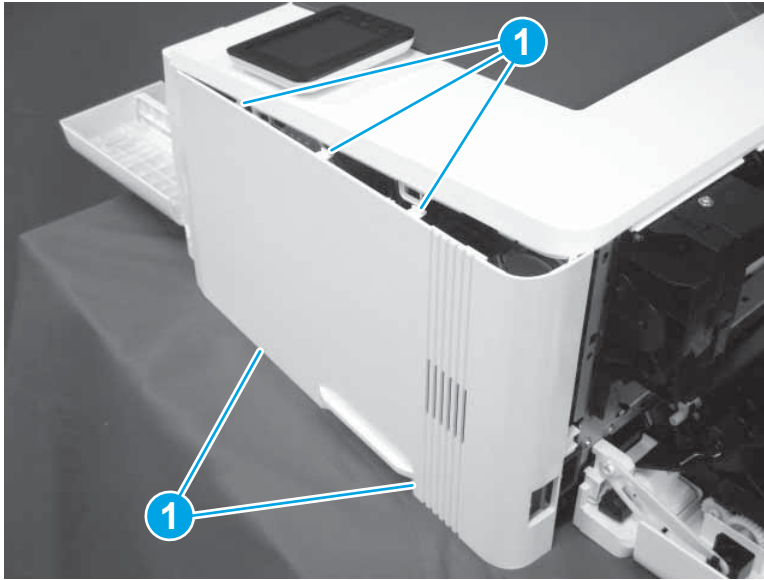
1. At the front of the printer, position two tabs (callout 1) in the chassis.

Figure 1-744 Install the right cover (1 of 3)



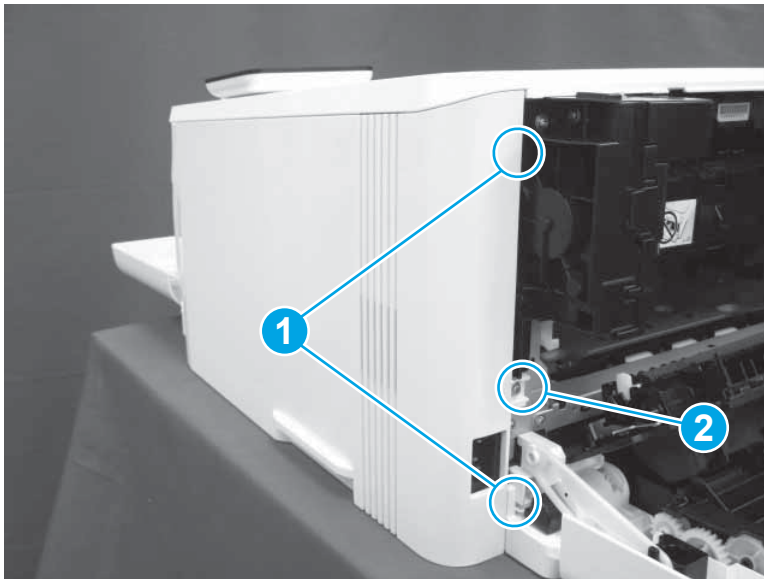
2. Moving from the front to the back, set five tabs (callout 1) along the top and bottom of the cover.

Figure 1-745 Install the right cover (2 of 3)



3. At the rear of the printer, set two tabs (callout 1), and then install one screw (callout 2).

Figure 1-746 Install the right cover (3 of 3)



Step 8: Close the front door and rear door or duplexer door

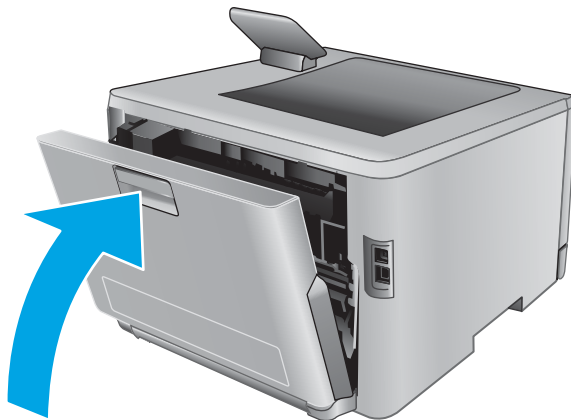
1. Close the front door.

Figure 1-747 Close the front door and rear door or duplexer door (1 of 2)



2. Close the rear door (simplex models) or duplexer door (duplex models).

Figure 1-748 Close the front door and rear door or duplexer door (2 of 2)



Step 9: Install Tray 2

- ▲ Align Tray 2 with the tray cavity, and then push the tray into the printer.

Figure 1-749 Install Tray 2



Removal and replacement: Main fan


- [Introduction](#)
- [Step 1: Remove Tray 2](#)
- [Step 2: Open the front door and rear door or duplexer door](#)
- [Step 3: Remove the right cover](#)
- [Step 4: Remove the main fan](#)
- [Step 5: Unpack a replacement main fan](#)
- [Step 6: Install the main fan](#)
- [Step 7: Install the right cover](#)
- [Step 8: Close the front door and rear door or duplexer door](#)
- [Step 9: Install Tray 2](#)

Introduction

This document provides the procedures to remove and replace the main fan.

Before you begin

- Turn off the printer.
- Disconnect the power cable.

 **WARNING!** To avoid damage to the printer, turn the printer off, wait 30 seconds, and then remove the power cord before attempting to service the printer.

- Use the table below to identify the correct part number for your printer. To order the part, go to www.hp.com/buy/parts.

Main fan part number	
----------------------	--

RM2-7419-000CN	Main fan
----------------	----------

Required tools

- #2 Phillips screwdriver with a magnetic tip

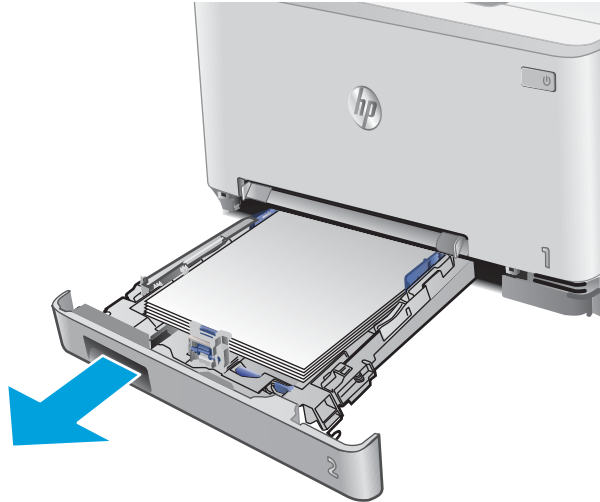
After performing service

- Connect the power cable.
- Use the power switch to turn the power on.

Step 1: Remove Tray 2

- ▲ Using the handle on the face of Tray 2, pull the tray completely out of the printer.

Figure 1-750 Remove Tray 2



Step 2: Open the front door and rear door or duplexer door

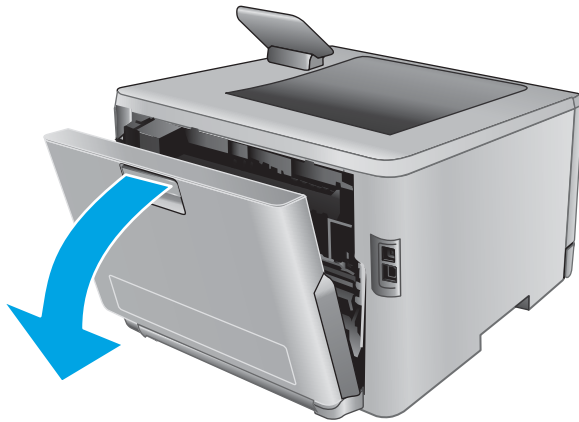
1. Open the front door.

Figure 1-751 Open the front door and rear door or duplexer door (1 of 2)



2. Use the latch release to open the rear door (simplex models) or duplexer door (duplex models).

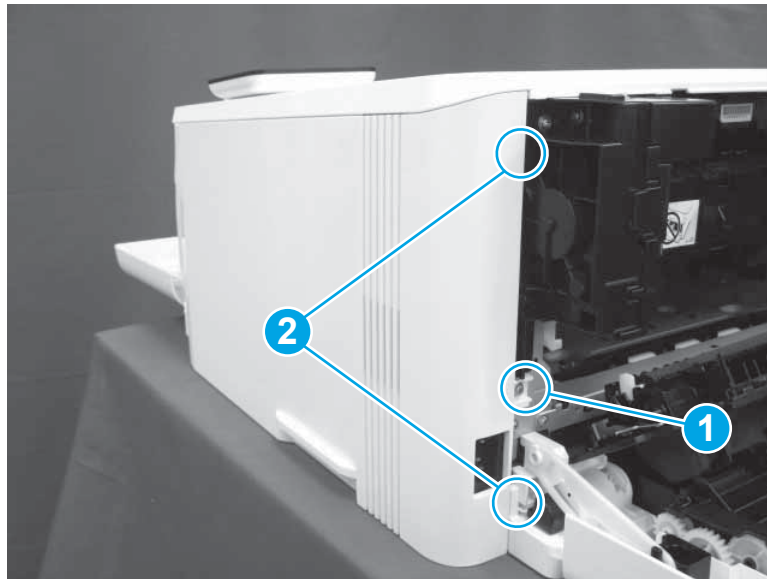
Figure 1-752 Open the front door and rear door or duplexer door (2 of 2)



Step 3: Remove the right cover

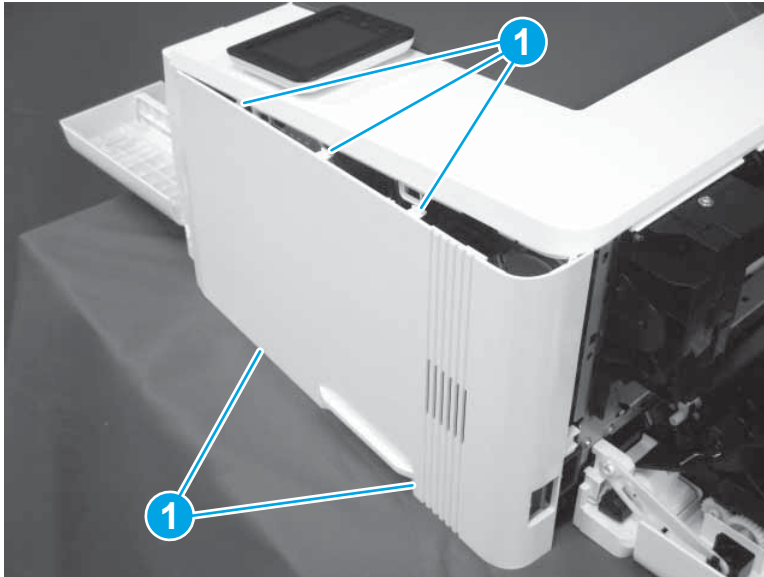
1. At the rear of the printer, remove one screw (callout 1), and then release two tabs (callout 2).

Figure 1-753 Remove the right cover (1 of 3)



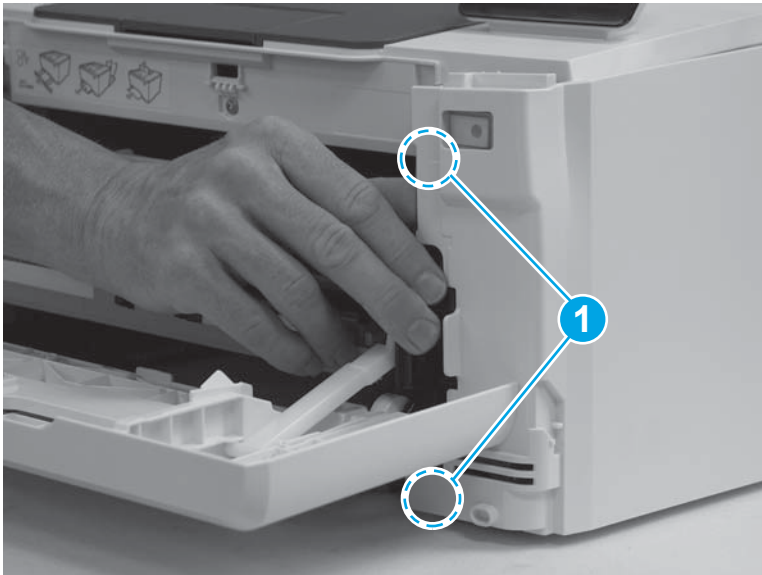
2. Release five tabs (callout 1) along the top and bottom of the cover. Releasing the top tabs first can ease this task.

Figure 1-754 Remove the right cover (2 of 3)



3. At the front of the printer, release two tabs (callout 1), and then remove the cover from the printer.

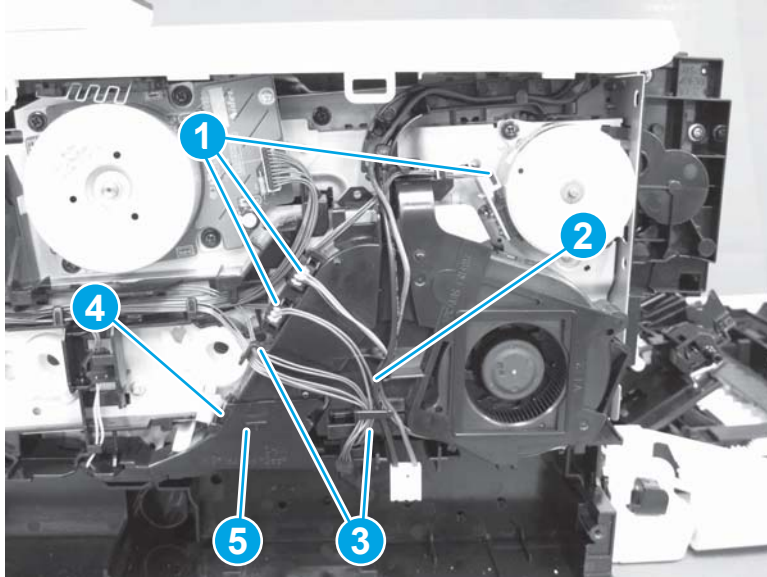
Figure 1-755 Remove the right cover (3 of 3)



Step 4: Remove the main fan

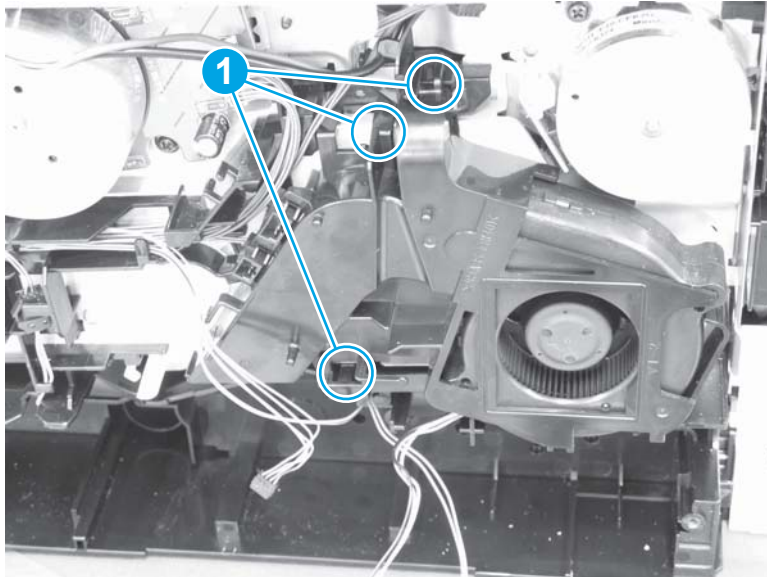
1. On the right side of the printer, remove three connectors (callout 1), release the cables (callout 2) from the cable guides (callout 3), and then remove one tab (callout 4) to remove the cover (callout 5).

Figure 1-756 Remove the main fan (1 of 3)



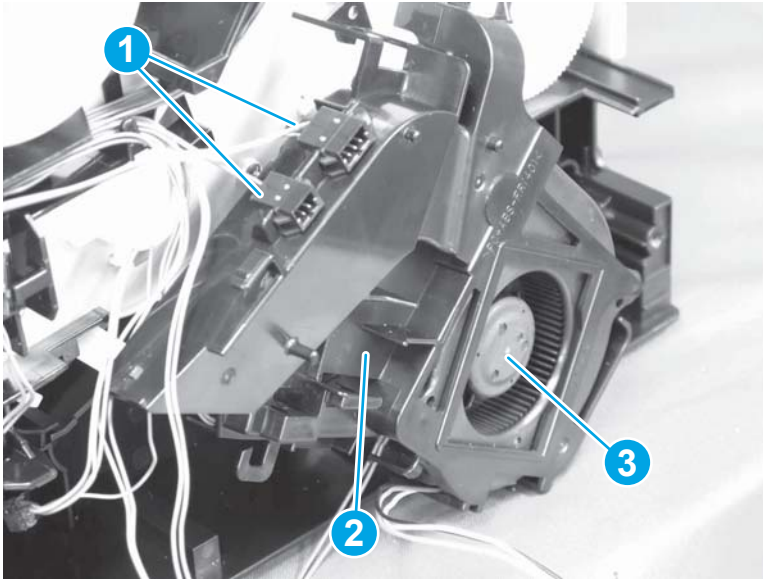
2. Release three tabs (callout 1).

Figure 1-757 Remove the main fan (2 of 3)



3. Disconnect two connectors (callout 1), remove the fan guide (callout 2) and the main fan (callout 3) together, and then remove the main fan from the fan guide.

Figure 1-758 Remove the main fan (3 of 3)



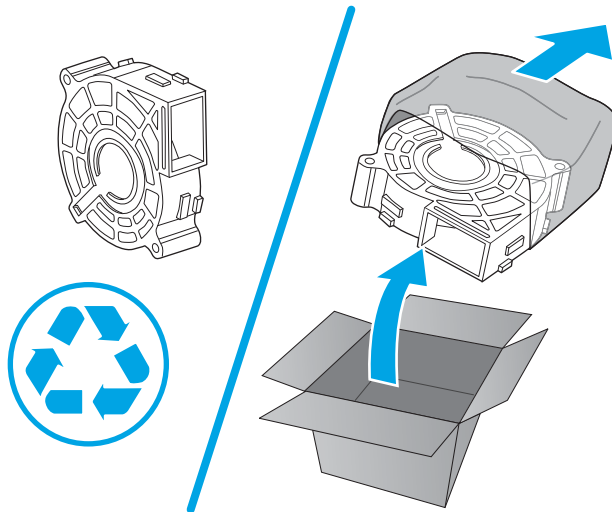
Step 5: Unpack a replacement main fan

Remove the new fan from its package. Save all packaging for recycling the used part.

For complete information on HP's recycling programs, go to <http://www8.hp.com/us/en/hp-information/environment/product-recycling.html>.

 **NOTE:** HP recommends responsible disposal of the defective assembly.

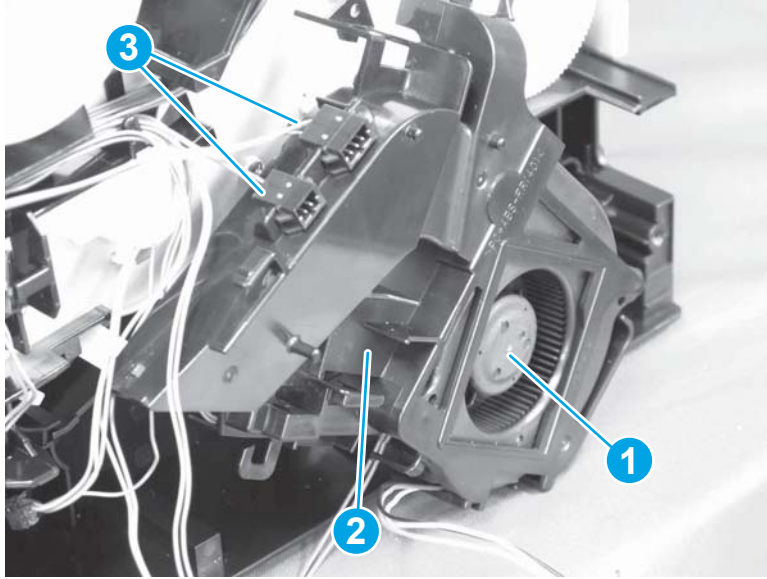
Figure 1-759 Recycle and unpack



Step 6: Install the main fan

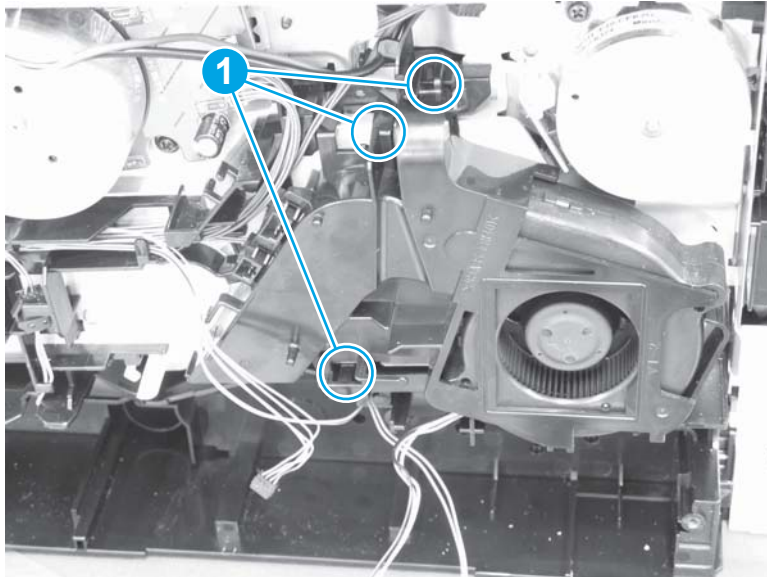
1. On the right side of the printer, set the main fan (callout 1) and the fan guide (callout 2) in place, and then connect two connectors (callout 3).

Figure 1-760 Install the main fan (1 of 3)



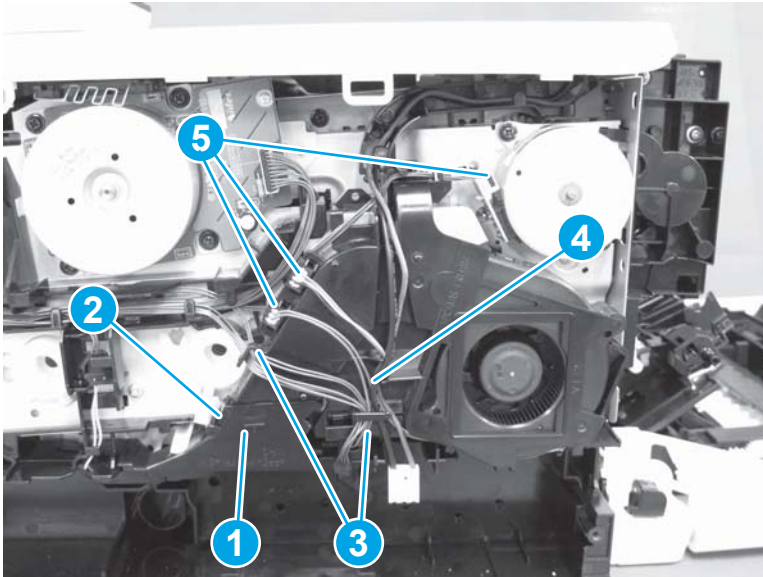
2. Engage three tabs (callout 1).

Figure 1-761 Install the main fan (2 of 3)



3. Set the fan cover (callout 1) in place, engage one tab (callout 2), route the cables (callout 3) through the cable guides (callout 4), and then connect three connectors (callout 5).

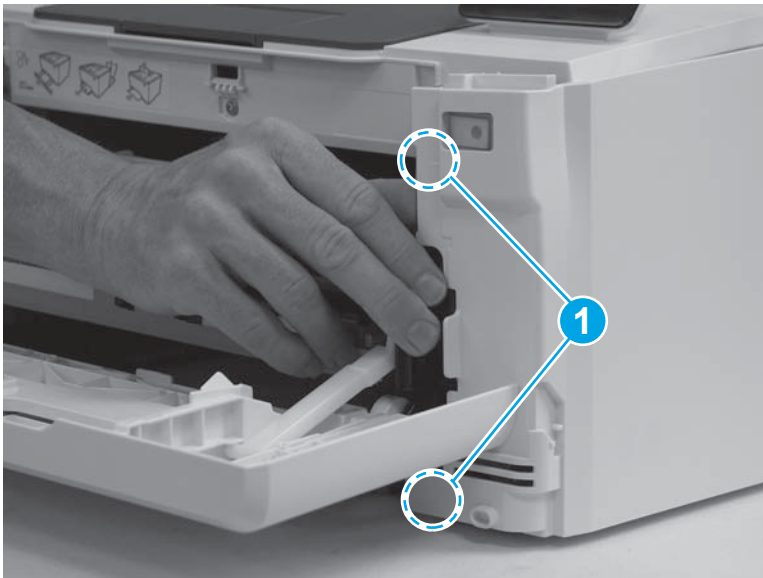
Figure 1-762 Install the main fan (3 of 3)



Step 7: Install the right cover

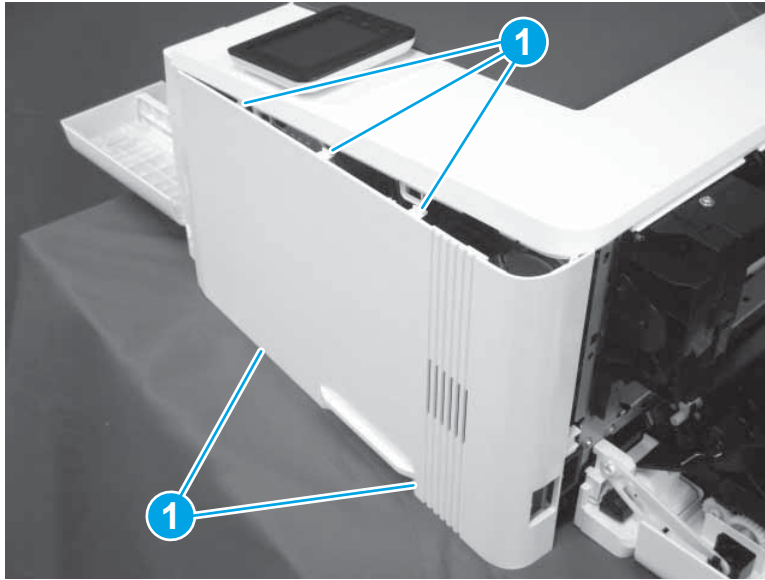
1. At the front of the printer, position two tabs (callout 1) in the chassis.

Figure 1-763 Install the right cover (1 of 3)



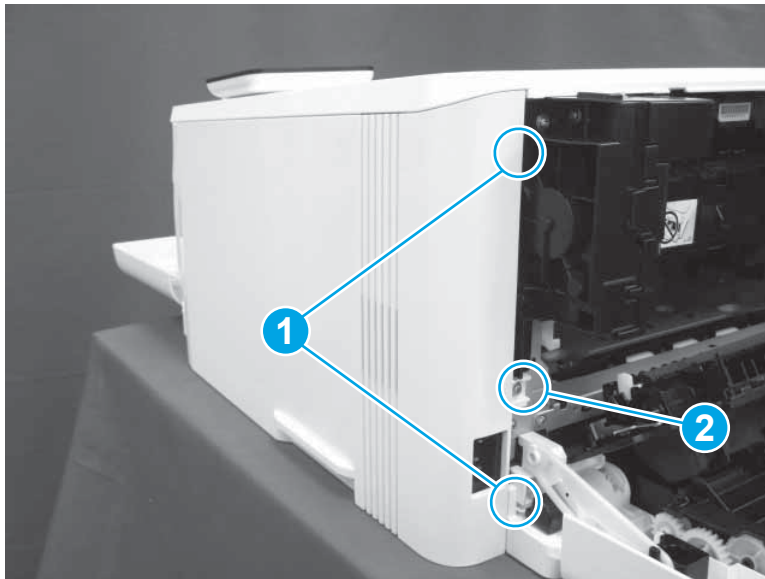
2. Moving from the front to the back, set five tabs (callout 1) along the top and bottom of the cover.

Figure 1-764 Install the right cover (2 of 3)



3. At the rear of the printer, set two tabs (callout 1), and then install one screw (callout 2).

Figure 1-765 Install the right cover (3 of 3)



Step 8: Close the front door and rear door or duplexer door

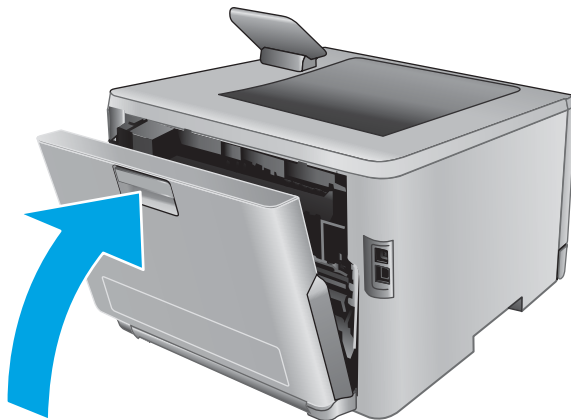
1. Close the front door.

Figure 1-766 Close the front door and rear door or duplexer door (1 of 2)



2. Close the rear door (simplex models) or duplexer door (duplex models).

Figure 1-767 Close the front door and rear door or duplexer door (2 of 2)



Step 9: Install Tray 2

- ▲ Align Tray 2 with the tray cavity, and then push the tray into the printer.

Figure 1-768 Install Tray 2



2 Parts and diagrams

- [Related documentation and software](#)
- [Assembly locations](#)
- [Parts and diagrams: Document feeder and scanner whole units](#)
- [Parts and diagrams: Covers and control panels](#)
- [Parts and diagrams: Internal components](#)
- [Alphabetical parts list](#)
- [Numerical parts list](#)

Related documentation and software

HP service personnel, go to the Service Access Work Bench (SAW) at <http://h41302.www4.hp.com/km/saw/home.do>.

Channel partners, go to HP Channel Services Network (CSN) at <https://h30125.www3.hp.com/hpcsn>.

Assembly locations

Introduction

Use the following figures to identify printer assemblies.

M252 assembly locations

Figure 2-1 M252 assembly locations

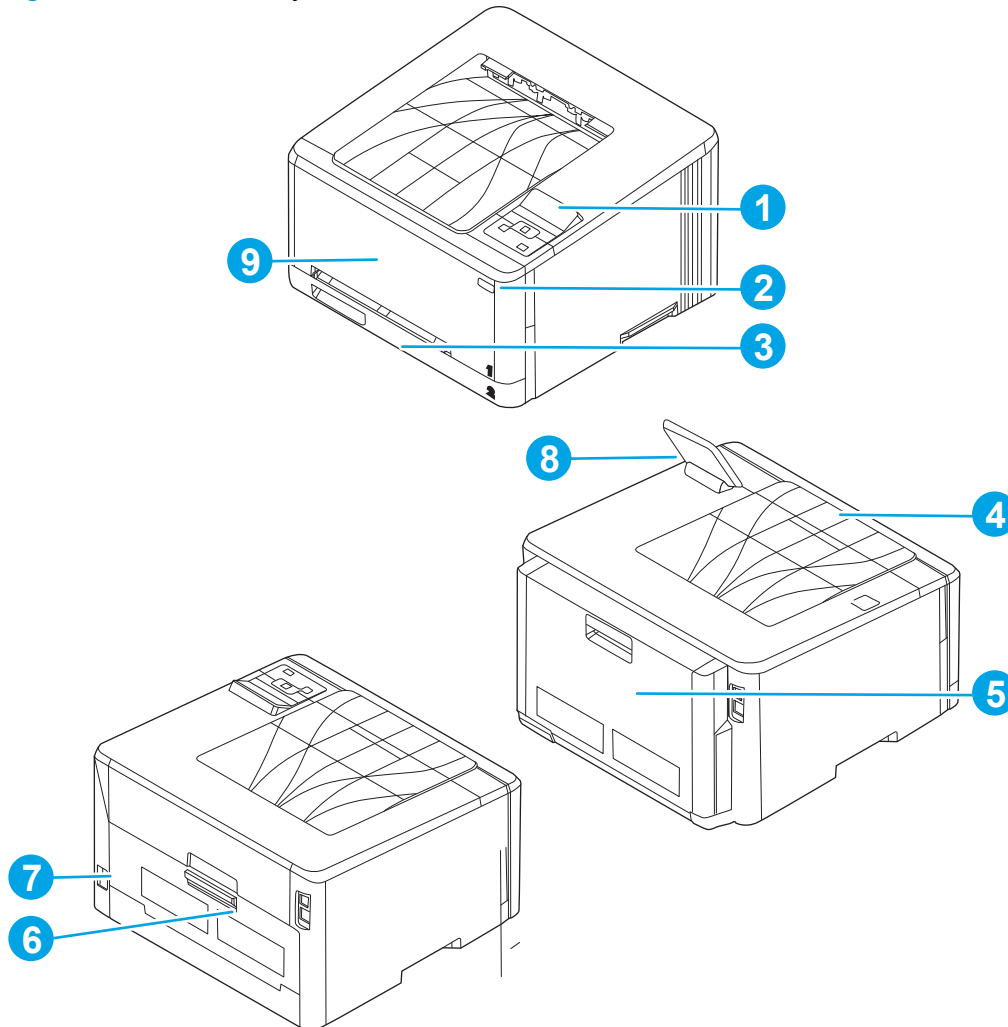


Table 2-1 M252 assembly locations

Item	Description	Item	Description
1	Control panel, 2-line	6	Rear door (simplex models only)
2	Power switch	7	Power receptacle
3	Tray 2 cassette	8	Front door
4	Output bin	9	Control panel, touchscreen
5	Duplexer door (duplex models only)		

M274, M277 assembly locations

Figure 2-2 M274, M277 assembly locations

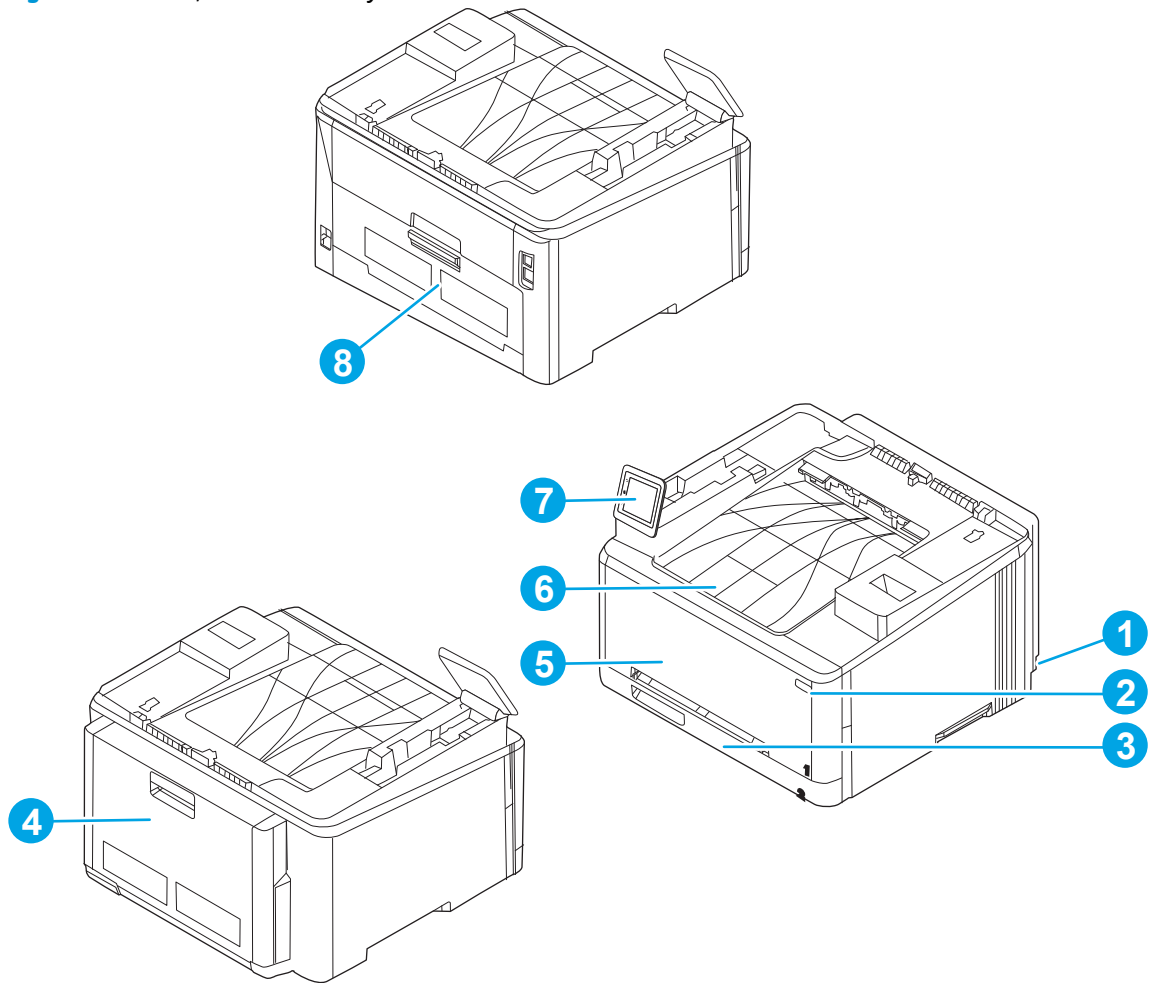


Table 2-2 M274, M277 assembly locations

Item	Description	Item	Description
1	Power receptacle	5	Front door
2	Power switch	6	Output bin
3	Tray 2 cassette	7	Control panel, touchscreen
4	Duplexer door (duplex models only)	8	Rear door (simplex models only)

Parts and diagrams: Document feeder and scanner whole units

Figure 2-3 Document feeder and scanner whole units (M274, M277 models only)

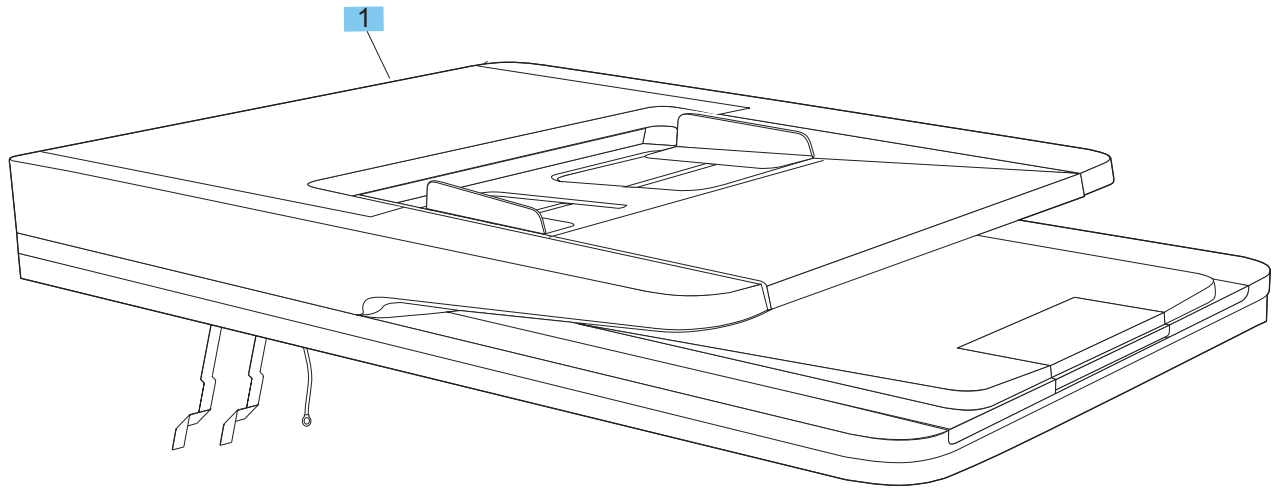


Table 2-3 Document feeder and scanner whole units (M274, M277 models only)

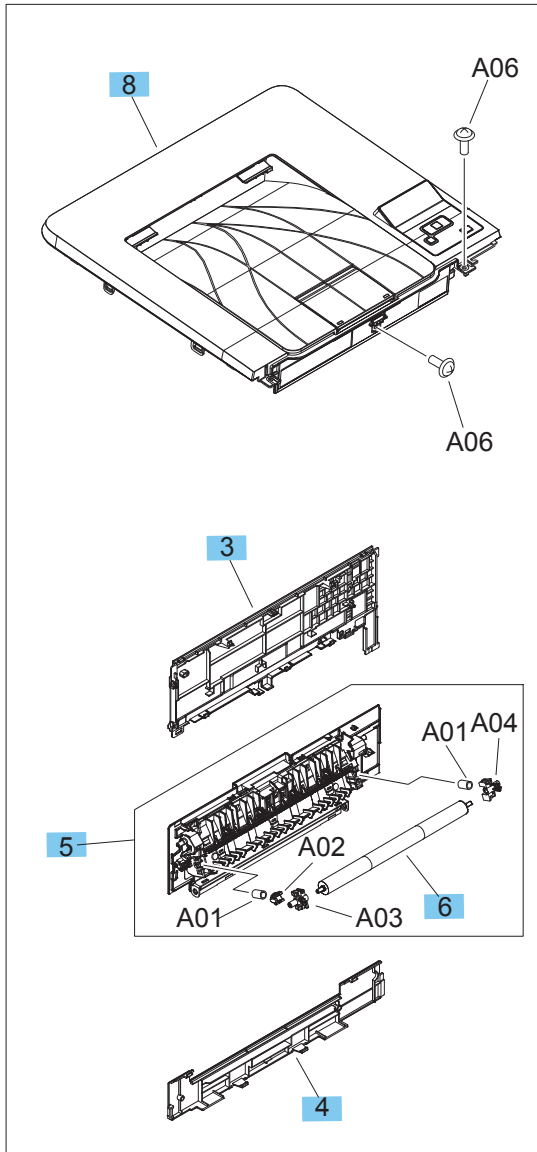
Ref	Description	Part number	Qty
1	Scanner assembly (M274, M277 models only)	B3Q10-60125	1

Order genuine HP parts or accessories at www.hp.com/buy/parts.

Parts and diagrams: Covers and control panels

M252 covers and control panels

Figure 2-4 M252 covers and control panels
SIMPLEX MODEL



DUPLEX MODEL

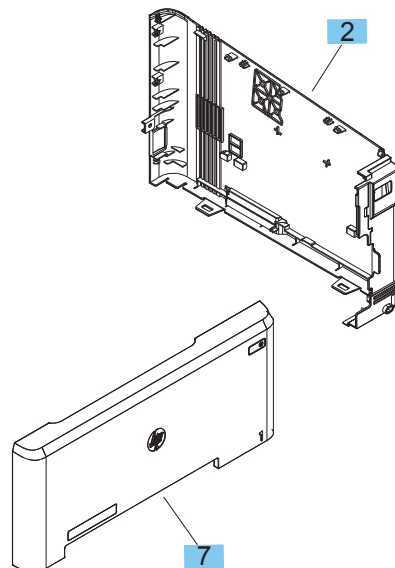
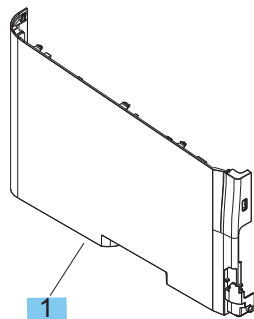
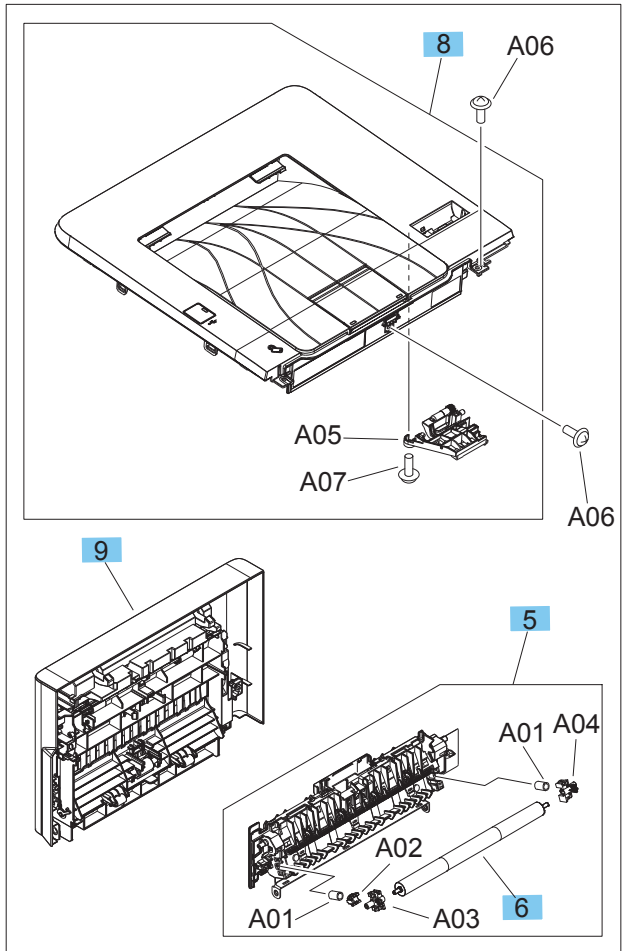


Table 2-4 M252 covers and control panels

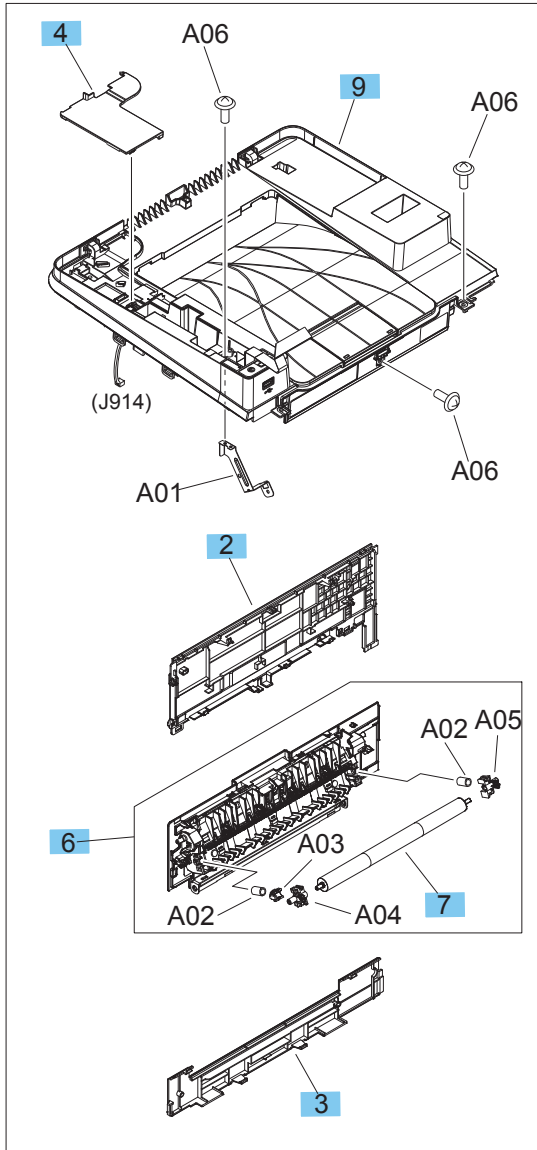
Ref	Description	Part number	Qty
1	Cover, left	RC4-3815-000CN	1
2	Cover, right	RC4-3816-000CN	1
3	Cover, rear (simplex models)	RC4-3817-000CN	1
4	Cover, rear bottom (simplex models)	RC4-3820-000CN	1
5	Rear door assembly (duplex models)	RM2-5580-000CN	1
5	Rear door assembly (simplex models)	RM2-5579-000CN	1
6	Roller, secondary transfer	RM2-5906-000CN	1
7	Front door assembly	RM2-5590-000CN	1
8	Top cover assembly (duplex models)	RM2-5908-000CN	1
8	Top cover assembly (simplex models) ¹	RM2-5596-000CN	1
9	Duplexer door assembly (duplex models)	RM2-5867-000CN	1
Not shown	Control panel, touchscreen	CZ196-60301	1

¹ The simplex top cover assembly includes the 2-line control panel.

Order genuine HP parts or accessories at www.hp.com/buy/parts.

M274, M277 covers and control panel

Figure 2-5 M274, M277 covers and control panel
SIMPLEX MODEL



DUPLEX MODEL

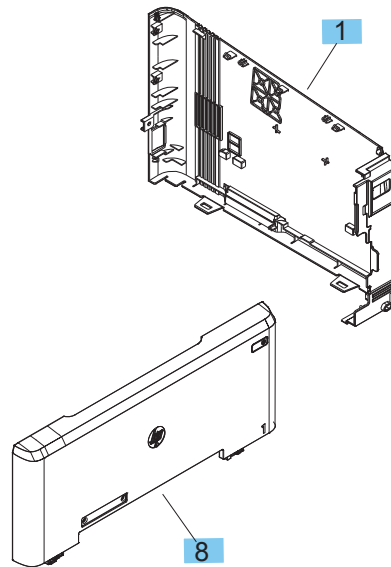
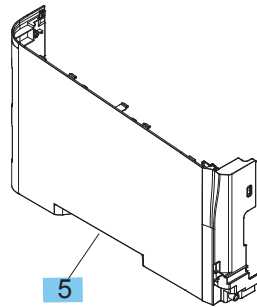
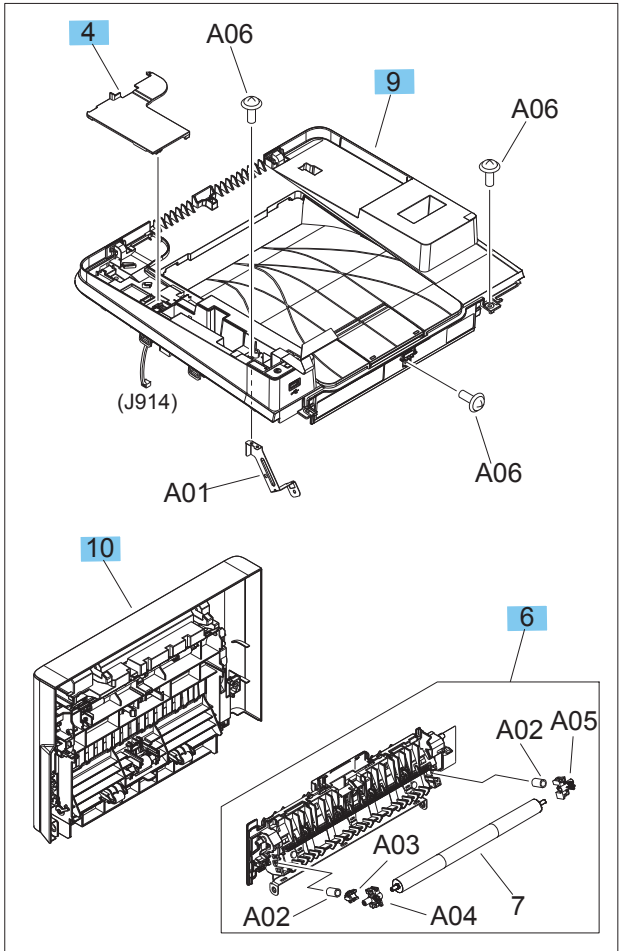


Table 2-5 M274, M277 covers and control panel

Ref	Description	Part number	Qty
1	Cover, right	RC4-3816-000CN	1
2	Cover, rear (simplex models)	RC4-3817-000CN	1
3	Cover, rear bottom (simplex models)	RC4-3820-000CN	1
4	Cover, flat cable	RC4-3997-000CN	1
6	Cover, left	RC4-4000-000	1
6	Rear door assembly (duplex models)	RM2-5580-000CN	1
5	Rear door assembly (simplex models)	RM2-5579-000CN	1
7	Roller, secondary transfer	RM2-5906-000CN	1
8	Front door assembly	RM2-5591-000CN	1
9	Top cover assembly (duplex models)	RM2-5598-000CN	1
9	Top cover assembly (simplex models)	RM2-5597-000CN	1
10	Duplexer door assembly (duplex models)	RM2-5867-000CN	1
Not shown	Control panel, touchscreen	B3Q10-60139	1

Order genuine HP parts or accessories at www.hp.com/buy/parts.

Parts and diagrams: Internal components

Internal components (1 of 3)

Figure 2-6 Internal components (1 of 3)

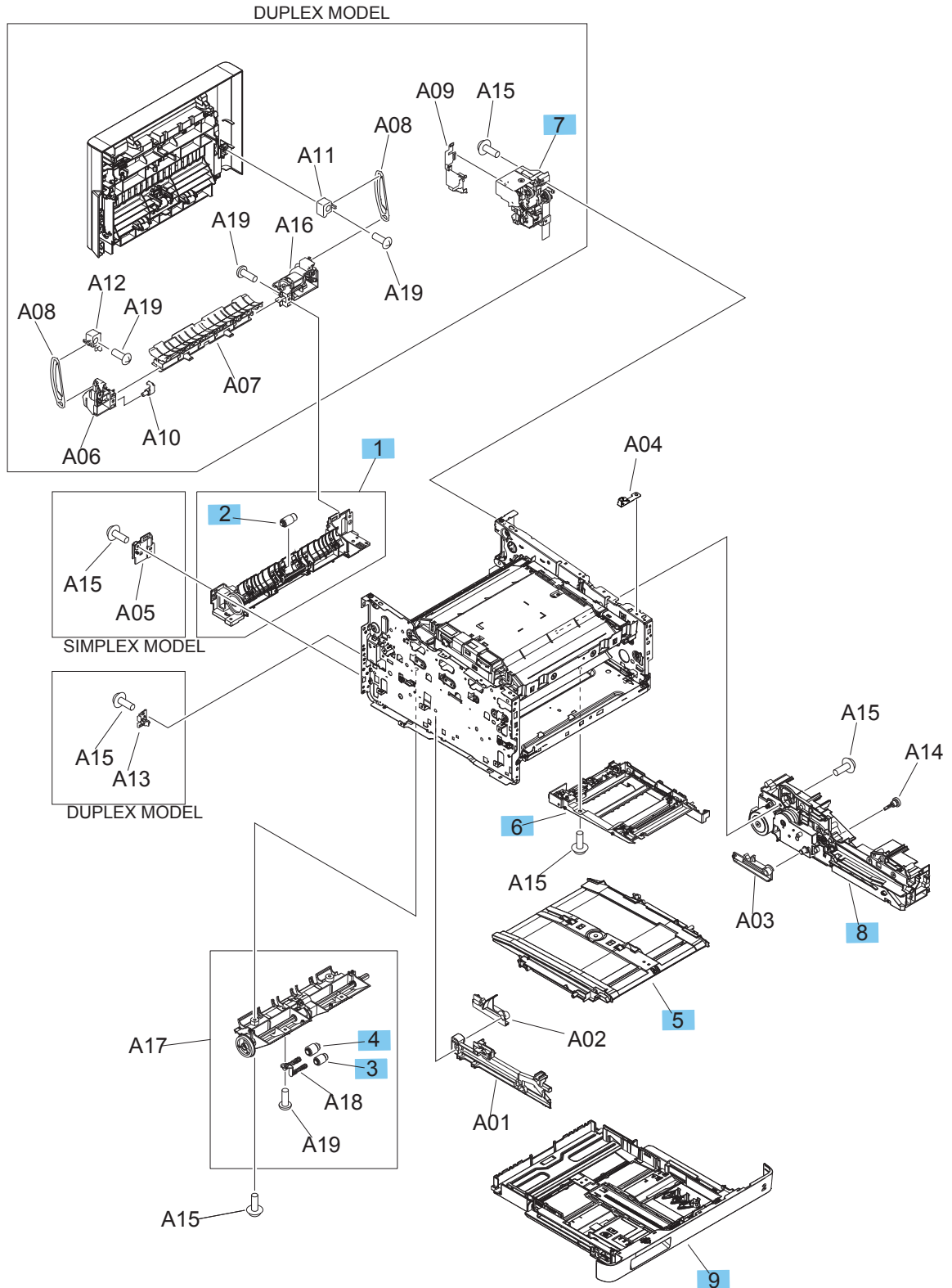


Table 2-6 Internal components (1 of 3)

Ref	Description	Part number	Qty
1	Paper pickup guide assembly	RM2-5578-000CN	1
2	Separation roller assembly	RM2-5881-000CN	1
3	Paper pickup roller assembly	RM2-5576-000CN	1
4	Feed roller assembly	RM2-5577-000CN	1
5	Multi feed tray assembly	RM2-5865-000CN	1
6	Priority slot assembly	RM2-5866-000CN	1
7	Duplexing drive assembly (duplex models only)	RM2-5872-000CN	1
8	Sub drive assembly (duplex models)	RM2-5607-000CN	1
8	Sub drive assembly (simplex models)	RM2-5884-000CN	1
9	Cassette assembly (Tray 2) (M274, M277 models)	RM2-5886-000CN	1
9	Cassette assembly (Tray 2) (M252 models)	RM2-5885-000CN	1

Order genuine HP parts or accessories at www.hp.com/buy/parts.

Internal components (2 of 3)

Figure 2-7 Internal components (2 of 3)

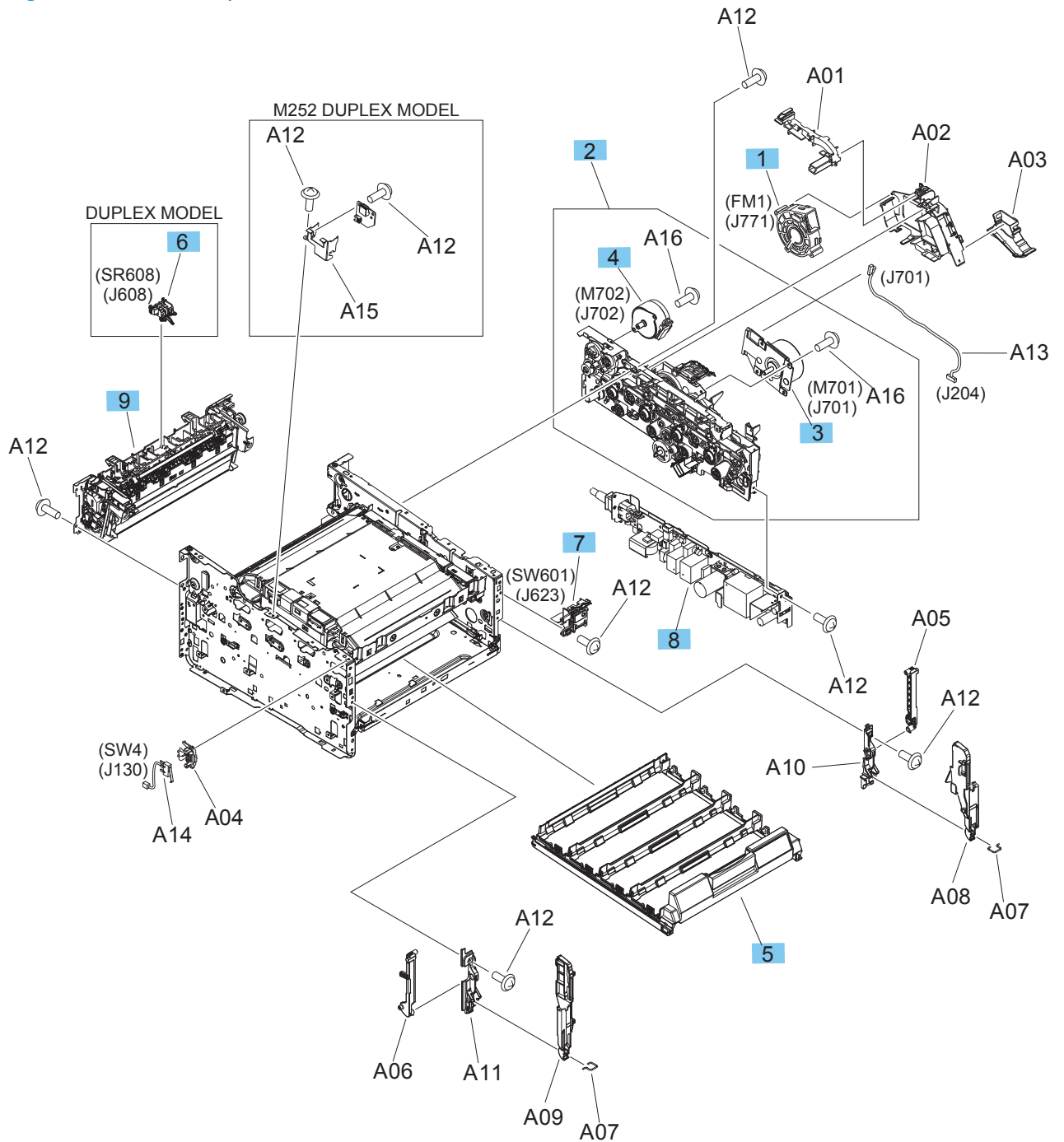


Table 2-7 Internal components (2 of 3)

Ref	Description	Part number	Qty
1	Fan	RM2-7419-000CN	1
2	Main drive assembly (duplex models)	RM2-5888-000CN	1
2	Main drive assembly (simplex models)	RM2-5605-000CN	1
3	Main motor	RM2-7407-000CN	1
4	Fuser motor	RM2-7409-000CN	1
5	Cartridge tray assembly	RM2-5871-000CN	1
6	Paper delivery (output) sensor assembly (duplex models only)	RM2-5895-000CN	1
7	Power switch assembly	RM2-5896-000CN	1
8	Low-voltage power supply assembly, 110-127 V	RM2-8050-000CN	1
8	Low-voltage power supply assembly, 220-240 V	RM2-8051-000CN	1
9	Fuser assembly (duplex models), 110-127 V	RM2-5583-000CN	1
9	Fuser assembly (duplex models), 220-240 V	RM2-5584-000CN	1
9	Fuser assembly (simplex models), 220-240 V	RM2-5582-000CN	1

Order genuine HP parts or accessories at www.hp.com/buy/parts.

Internal components (3 of 3)

Figure 2-8 Internal components (3 of 3)

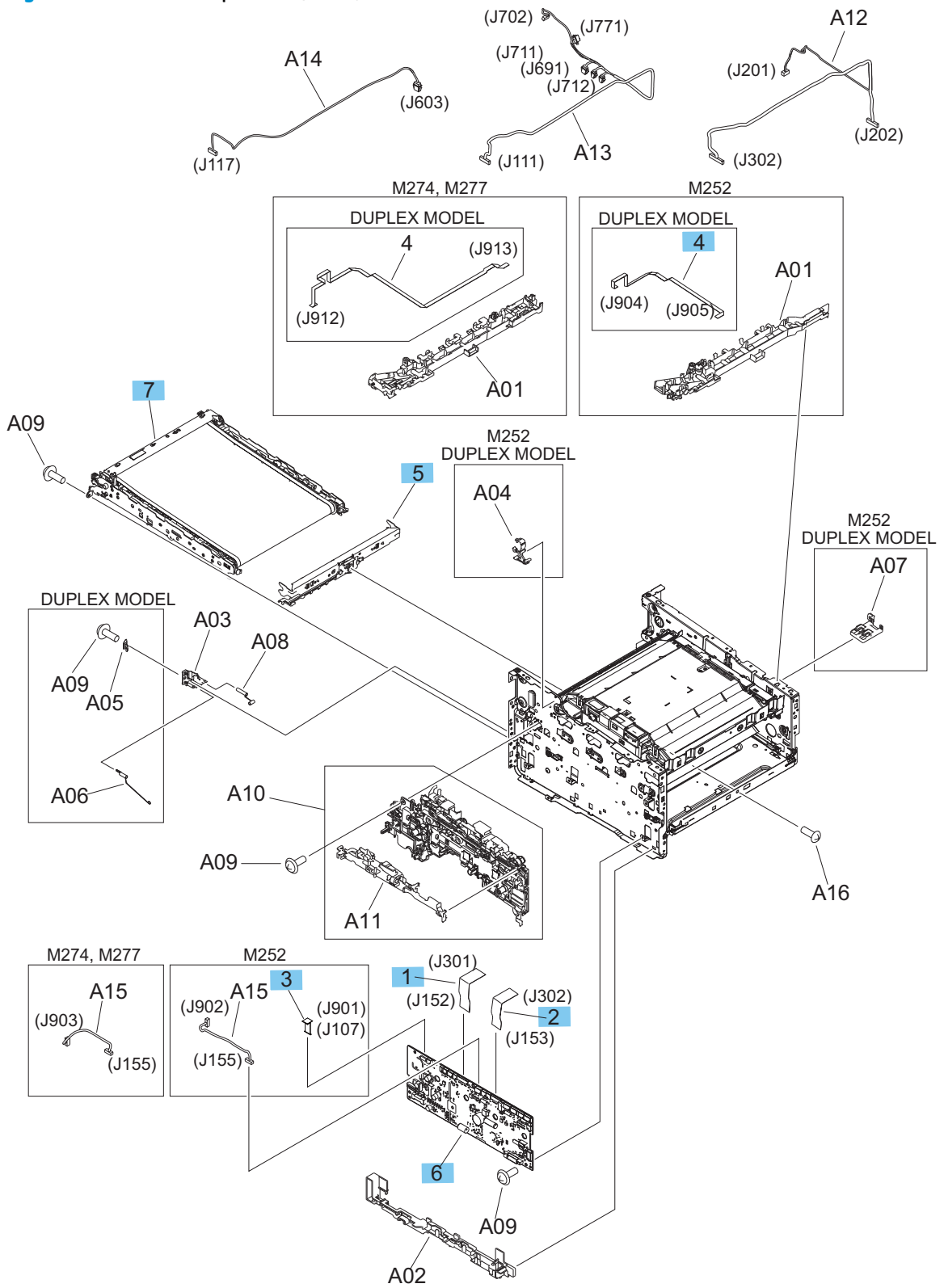


Table 2-8 Internal components (3 of 3)

Ref	Description	Part number	Qty
1	Cable, flat	RK2-6383-000CN	1
2	Cable, flat	RK2-6384-000CN	1
3	Cable, flat (M252 models)	RK2-6398-000CN	1
4	Cable, flat (M274, M277 duplex models)	RK2-6416-000CN	1
4	Cable, flat (M252 duplex models)	RK2-6414-000CN	1
5	Density detect sensor assembly	RM2-5874-000CN	1
6	DC controller PCA (duplex models)	RM2-8063-000CN	1
6	DC controller PCA (simplex models)	RM2-8062-000CN	1
7	Intermediate transfer belt (ITB) assembly	RM2-5907-000CN	1

Order genuine HP parts or accessories at www.hp.com/buy/parts.

Alphabetical parts list

Table 2-9 Alphabetical parts list

Description	Part number	Table and page
Cable, flat	RK2-6383-000CN	Internal components (3 of 3) on page 475
Cable, flat	RK2-6384-000CN	Internal components (3 of 3) on page 475
Cable, flat (M252 duplex models)	RK2-6414-000CN	Internal components (3 of 3) on page 475
Cable, flat (M252 models)	RK2-6398-000CN	Internal components (3 of 3) on page 475
Cable, flat (M274, M277 duplex models)	RK2-6416-000CN	Internal components (3 of 3) on page 475
Cartridge tray assembly	RM2-5871-000CN	Internal components (2 of 3) on page 473
Cassette assembly (Tray 2) (M252 models)	RM2-5885-000CN	Internal components (1 of 3) on page 471
Cassette assembly (Tray 2) (M274, M277 models)	RM2-5886-000CN	Internal components (1 of 3) on page 471
Control panel, touchscreen	CZ196-60301	M252 covers and control panels on page 467
Control panel, touchscreen	B3Q10-60139	M274, M277 covers and control panel on page 469
Cover, flat cable	RC4-3997-000CN	M274, M277 covers and control panel on page 469
Cover, left	RC4-4000-000	M274, M277 covers and control panel on page 469
Cover, left	RC4-3815-000CN	M252 covers and control panels on page 467
Cover, rear (simplex models)	RC4-3817-000CN	M252 covers and control panels on page 467
Cover, rear (simplex models)	RC4-3817-000CN	M274, M277 covers and control panel on page 469
Cover, rear bottom (simplex models)	RC4-3820-000CN	M252 covers and control panels on page 467
Cover, rear bottom (simplex models)	RC4-3820-000CN	M274, M277 covers and control panel on page 469
Cover, right	RC4-3816-000CN	M252 covers and control panels on page 467
Cover, right	RC4-3816-000CN	M274, M277 covers and control panel on page 469
DC controller PCA (duplex models)	RM2-8063-000CN	Internal components (3 of 3) on page 475

Table 2-9 Alphabetical parts list (continued)

Description	Part number	Table and page
DC controller PCA (simplex models)	RM2-8062-000CN	Internal components (3 of 3) on page 475
Density detect sensor assembly	RM2-5874-000CN	Internal components (3 of 3) on page 475
Duplexer door assembly (duplex models)	RM2-5867-000CN	M252 covers and control panels on page 467
Duplexer door assembly (duplex models)	RM2-5867-000CN	M274, M277 covers and control panel on page 469
Duplexing drive assembly (duplex models only)	RM2-5872-000CN	Internal components (1 of 3) on page 471
Fan	RM2-7419-000CN	Internal components (2 of 3) on page 473
Feed roller assembly	RM2-5577-000CN	Internal components (1 of 3) on page 471
Front door assembly	RM2-5590-000CN	M252 covers and control panels on page 467
Front door assembly	RM2-5591-000CN	M274, M277 covers and control panel on page 469
Fuser assembly (duplex models), 110-127 V	RM2-5583-000CN	Internal components (2 of 3) on page 473
Fuser assembly (duplex models), 220-240 V	RM2-5584-000CN	Internal components (2 of 3) on page 473
Fuser assembly (simplex models), 220-240 V	RM2-5582-000CN	Internal components (2 of 3) on page 473
Fuser motor	RM2-7409-000CN	Internal components (2 of 3) on page 473
Intermediate transfer belt (ITB) assembly	RM2-5907-000CN	Internal components (3 of 3) on page 475
Low-voltage power supply assembly, 110-127 V	RM2-8050-000CN	Internal components (2 of 3) on page 473
Low-voltage power supply assembly, 220-240 V	RM2-8051-000CN	Internal components (2 of 3) on page 473
Main drive assembly (duplex models)	RM2-5888-000CN	Internal components (2 of 3) on page 473
Main drive assembly (simplex models)	RM2-5605-000CN	Internal components (2 of 3) on page 473
Main motor	RM2-7407-000CN	Internal components (2 of 3) on page 473
Multi feed tray assembly	RM2-5865-000CN	Internal components (1 of 3) on page 471
Paper delivery (output) sensor assembly (duplex models only)	RM2-5895-000CN	Internal components (2 of 3) on page 473

Table 2-9 Alphabetical parts list (continued)

Description	Part number	Table and page
Paper pickup guide assembly	RM2-5578-000CN	Internal components (1 of 3) on page 471
Paper pickup roller assembly	RM2-5576-000CN	Internal components (1 of 3) on page 471
Power switch assembly	RM2-5896-000CN	Internal components (2 of 3) on page 473
Priority slot assembly	RM2-5866-000CN	Internal components (1 of 3) on page 471
Rear door assembly (duplex models)	RM2-5580-000CN	M252 covers and control panels on page 467
Rear door assembly (duplex models)	RM2-5580-000CN	M274, M277 covers and control panel on page 469
Rear door assembly (simplex models)	RM2-5579-000CN	M252 covers and control panels on page 467
Rear door assembly (simplex models)	RM2-5579-000CN	M274, M277 covers and control panel on page 469
Roller, secondary transfer	RM2-5906-000CN	M252 covers and control panels on page 467
Roller, secondary transfer	RM2-5906-000CN	M274, M277 covers and control panel on page 469
Scanner assembly (M274, M277 models only)	B3Q10-60125	Document feeder and scanner whole units (M274, M277 models only) on page 465
Separation roller assembly	RM2-5881-000CN	Internal components (1 of 3) on page 471
Sub drive assembly (duplex models)	RM2-5607-000CN	Internal components (1 of 3) on page 471
Sub drive assembly (simplex models)	RM2-5884-000CN	Internal components (1 of 3) on page 471
Top cover assembly (duplex models)	RM2-5908-000CN	M252 covers and control panels on page 467
Top cover assembly (duplex models)	RM2-5598-000CN	M274, M277 covers and control panel on page 469
Top cover assembly (simplex models) ¹	RM2-5596-000CN	M252 covers and control panels on page 467
Top cover assembly (simplex models)	RM2-5597-000CN	M274, M277 covers and control panel on page 469

Numerical parts list

Table 2-10 Numerical parts list

Part number	Description	Table and page
B3Q10-60125	Scanner assembly (M274, M277 models only)	Document feeder and scanner whole units (M274, M277 models only) on page 465
B3Q10-60139	Control panel, touchscreen	M274, M277 covers and control panel on page 469
CZ196-60301	Control panel, touchscreen	M252 covers and control panels on page 467
RC4-3815-000CN	Cover, left	M252 covers and control panels on page 467
RC4-3816-000CN	Cover, right	M252 covers and control panels on page 467
RC4-3816-000CN	Cover, right	M274, M277 covers and control panel on page 469
RC4-3817-000CN	Cover, rear (simplex models)	M252 covers and control panels on page 467
RC4-3817-000CN	Cover, rear (simplex models)	M274, M277 covers and control panel on page 469
RC4-3820-000CN	Cover, rear bottom (simplex models)	M252 covers and control panels on page 467
RC4-3820-000CN	Cover, rear bottom (simplex models)	M274, M277 covers and control panel on page 469
RC4-3997-000CN	Cover, flat cable	M274, M277 covers and control panel on page 469
RC4-4000-000	Cover, left	M274, M277 covers and control panel on page 469
RK2-6383-000CN	Cable, flat	Internal components (3 of 3) on page 475
RK2-6384-000CN	Cable, flat	Internal components (3 of 3) on page 475
RK2-6398-000CN	Cable, flat (M252 models)	Internal components (3 of 3) on page 475
RK2-6414-000CN	Cable, flat (M252 duplex models)	Internal components (3 of 3) on page 475
RK2-6416-000CN	Cable, flat (M274, M277 duplex models)	Internal components (3 of 3) on page 475
RM2-5576-000CN	Paper pickup roller assembly	Internal components (1 of 3) on page 471
RM2-5577-000CN	Feed roller assembly	Internal components (1 of 3) on page 471
RM2-5578-000CN	Paper pickup guide assembly	Internal components (1 of 3) on page 471

Table 2-10 Numerical parts list (continued)

Part number	Description	Table and page
RM2-5579-000CN	Rear door assembly (simplex models)	M252 covers and control panels on page 467
RM2-5579-000CN	Rear door assembly (simplex models)	M274, M277 covers and control panel on page 469
RM2-5580-000CN	Rear door assembly (duplex models)	M252 covers and control panels on page 467
RM2-5580-000CN	Rear door assembly (duplex models)	M274, M277 covers and control panel on page 469
RM2-5582-000CN	Fuser assembly (simplex models), 220-240 V	Internal components (2 of 3) on page 473
RM2-5583-000CN	Fuser assembly (duplex models), 110-127 V	Internal components (2 of 3) on page 473
RM2-5584-000CN	Fuser assembly (duplex models), 220-240 V	Internal components (2 of 3) on page 473
RM2-5590-000CN	Front door assembly	M252 covers and control panels on page 467
RM2-5591-000CN	Front door assembly	M274, M277 covers and control panel on page 469
RM2-5596-000CN	Top cover assembly (simplex models) ¹	M252 covers and control panels on page 467
RM2-5597-000CN	Top cover assembly (simplex models)	M274, M277 covers and control panel on page 469
RM2-5598-000CN	Top cover assembly (duplex models)	M274, M277 covers and control panel on page 469
RM2-5605-000CN	Main drive assembly (simplex models)	Internal components (2 of 3) on page 473
RM2-5607-000CN	Sub drive assembly (duplex models)	Internal components (1 of 3) on page 471
RM2-5865-000CN	Multi feed tray assembly	Internal components (1 of 3) on page 471
RM2-5866-000CN	Priority slot assembly	Internal components (1 of 3) on page 471
RM2-5867-000CN	Duplexer door assembly (duplex models)	M252 covers and control panels on page 467
RM2-5867-000CN	Duplexer door assembly (duplex models)	M274, M277 covers and control panel on page 469
RM2-5871-000CN	Cartridge tray assembly	Internal components (2 of 3) on page 473
RM2-5872-000CN	Duplexing drive assembly (duplex models only)	Internal components (1 of 3) on page 471
RM2-5874-000CN	Density detect sensor assembly	Internal components (3 of 3) on page 475

Table 2-10 Numerical parts list (continued)

Part number	Description	Table and page
RM2-5881-000CN	Separation roller assembly	Internal components (1 of 3) on page 471
RM2-5884-000CN	Sub drive assembly (simplex models)	Internal components (1 of 3) on page 471
RM2-5885-000CN	Cassette assembly (Tray 2) (M252 models)	Internal components (1 of 3) on page 471
RM2-5886-000CN	Cassette assembly (Tray 2) (M274, M277 models)	Internal components (1 of 3) on page 471
RM2-5888-000CN	Main drive assembly (duplex models)	Internal components (2 of 3) on page 473
RM2-5895-000CN	Paper delivery (output) sensor assembly (duplex models only)	Internal components (2 of 3) on page 473
RM2-5896-000CN	Power switch assembly	Internal components (2 of 3) on page 473
RM2-5906-000CN	Roller, secondary transfer	M252 covers and control panels on page 467
RM2-5906-000CN	Roller, secondary transfer	M274, M277 covers and control panel on page 469
RM2-5907-000CN	Intermediate transfer belt (ITB) assembly	Internal components (3 of 3) on page 475
RM2-5908-000CN	Top cover assembly (duplex models)	M252 covers and control panels on page 467
RM2-7407-000CN	Main motor	Internal components (2 of 3) on page 473
RM2-7409-000CN	Fuser motor	Internal components (2 of 3) on page 473
RM2-7419-000CN	Fan	Internal components (2 of 3) on page 473
RM2-8050-000CN	Low-voltage power supply assembly, 110-127 V	Internal components (2 of 3) on page 473
RM2-8051-000CN	Low-voltage power supply assembly, 220-240 V	Internal components (2 of 3) on page 473
RM2-8062-000CN	DC controller PCA (simplex models)	Internal components (3 of 3) on page 475
RM2-8063-000CN	DC controller PCA (duplex models)	Internal components (3 of 3) on page 475

Index

A

after-service checklist 6

B

before-service checklist 6

C

cartridge tray assembly

location 473, 476, 480

part number 473, 476, 480

cartridges

removing and replacing 11

cassette assembly (Tray 2) (M252 models)

location 471, 476, 481

part number 471, 476, 481

cassette assembly (Tray 2) (M277 models)

location 471, 476, 481

part number 471, 476, 481

cautions iii

control panels, base printer

parts lists and diagrams 466

conventions, document iii

covers and control panels, base printer

parts lists and diagrams 466

covers, doors, and panels (printer base)

location diagram 36

D

DC controller PCA (duplex models)

location 475, 476, 481

part number 475, 476, 481

DC controller PCA (simplex models)

location 475, 477, 481

part number 475, 477, 481

density detect sensor assembly

location 475, 477, 480

part number 475, 477, 480

document conventions iii

document feeder (ADF)

location 465, 478, 479

part number 465, 478, 479

document feeder and scanner whole units

parts lists and diagrams 464

documentation

links 9

duplex drive assembly

removing and replacing 309, 388

duplexer door assembly

removing and replacing 109

duplexer door assembly (M252

duplex models)

location 467, 477, 480

part number 467, 477, 480

duplexer door assembly (M277

duplex models)

location 469, 477, 480

part number 469, 477, 480

duplexing drive assembly

location 471, 477, 480

part number 471, 477, 480

E

electrostatic discharge (ESD) 4

ESD electrostatic discharge (ESD) 4

F

fan

location 473, 477, 481

part number 473, 477, 481

feed roller assembly

location 471, 477, 479

part number 471, 477, 479

field-replaceable units (FRUs)

replacing 3

flat cable cover (M277 models)

location 469, 476, 479

part number 469, 476, 479

front door

removing and replacing 149

front door assembly (M252 models)

location 467, 477, 480

part number 467, 477, 480

front door assembly (M277 models)

location 469, 477, 480

part number 469, 477, 480

FRUs (field-replaceable units)

replacing 3

fuser assembly (duplex models),

110-127 V

location 473, 477, 480

part number 473, 477, 480

fuser assembly (duplex models),

220-240 V

location 473, 477, 480

part number 473, 477, 480

fuser assembly (simplex models),

220-240 V

part number 473, 477, 480

fuser motor

location 473, 477, 481

part number 473, 477, 481

removing and replacing 438

I

installation 5

screws 5

See also replacing parts

- intermediate transfer belt (ITB)
 - removing 252
- intermediate transfer belt (ITB) assembly
 - location 475, 477, 481
 - part number 475, 477, 481
- internal components, printer
 - parts lists and diagrams 470
- ITB
 - removing 252
- K**
- kit
 - instructions, front door 149
 - instructions, power switch assembly 370
 - instructions, priority feed slot assembly 174
 - instructions, rear door assembly 118, 153
 - instructions, secondary transfer roller 32
 - instructions, toner cartridges 11
 - instructions, top cover 84
 - instructions, touchscreen control panel 125, 142
- L**
- laser scanner
 - warnings for servicing 3
- left cover
 - location 467, 476, 479
 - part number 467, 476, 479
- left cover (M277 models)
 - location 469, 476, 479
 - part number 469, 476, 479
- location diagram
 - covers, doors, and panels (printer base) 36
- low-voltage power supply (LVPS)
 - removing and replacing 377
- low-voltage power supply assembly (simplex models), 220-240 V
 - location 473, 477, 480
- low-voltage power supply assembly, 110-127 V
 - location 473, 477, 481
 - part number 473, 477, 481
- low-voltage power supply assembly, 220-240 V
 - location 473, 477, 481
 - part number 473, 477, 481
- M**
- main drive assembly (duplex models)
 - location 473, 477, 481
 - part number 473, 477, 481
- main drive assembly (simplex models)
 - location 473, 477, 480
 - part number 473, 477, 480
- main fan
 - removing and replacing 447
- main motor
 - location 473, 477, 481
 - part number 473, 477, 481
 - removing and replacing 429
- multi feed tray assembly
 - location 471, 477, 480
 - part number 471, 477, 480
- N**
- notes iii
- O**
- output sensor assembly
 - removing and replacing 341
- P**
- paper delivery (output) sensor assembly (duplex models only)
 - location 473, 477, 481
 - part number 473, 477, 481
- paper pickup guide assembly
 - location 471, 478, 479
 - part number 471, 478, 479
- paper pickup roller assembly
 - location 471, 478, 479
 - part number 471, 478, 479
- parts
 - authorized service providers 8
- parts lists and diagrams 459
- control panels 466
- covers and control panels, base printer 466
- document feeder and scanner whole units 464
- internal components, printer 470
- pickup guide assembly
 - removing and replacing 271
- power switch assembly
 - location 473, 478, 481
 - part number 473, 478, 481
 - removing and replacing 370
- priority feed slot assembly
 - removing and replacing 174
- priority slot assembly
 - location 471, 478, 480
 - part number 471, 478, 480
- R**
- rear bottom cover
 - removing and replacing 122
- rear bottom cover (M252 simplex models)
 - location 467, 476, 479
 - part number 467, 476, 479
- rear bottom cover (M277 simplex models)
 - location 469, 476, 479
 - part number 469, 476, 479
- rear cover
 - removing and replacing 115
- rear cover (M252 simplex models)
 - location 467, 476, 479
 - part number 467, 476, 479
- rear cover (M277 simplex models)
 - location 469, 476, 479
 - part number 469, 476, 479
- rear door assembly
 - removing and replacing 118, 153
- rear door assembly (M252 duplex models)
 - location 467, 478, 480
 - part number 467, 478, 480
- rear door assembly (M252 simplex models)
 - location 467, 478, 480
 - part number 467, 478, 480
- rear door assembly (M277 duplex models)
 - location 469, 478, 480
 - part number 469, 478, 480
- rear door assembly (M277 simplex models)
 - location 469, 478, 480
 - part number 469, 478, 480

- registration density sensor assembly
 - removing and replacing 288
- removal strategy
 - removing and replacing 3
- removing and replacing
 - duplex drive assembly 309, 388
 - duplexer door assembly 109
 - front cover 149
 - fuser motor 438
 - low-voltage power supply (LVPS) 377
 - main fan 447
 - main motor 429
 - output sensor assembly 341
 - pickup guide assembly 271
 - power switch assembly 370
 - priority feed slot assembly 174
 - rear bottom cover 122
 - rear cover 115
 - rear door assembly 118, 153
 - registration density sensor assembly 288
 - secondary transfer roller 32
 - toner cartridges 11
 - top cover 84
 - touchscreen control panel 125, 142
- removing parts
 - after-service checklist 6
 - before-service checklist 6
 - tools, required 4
- replacing parts
 - about 3
 - after-service checklist 6
 - before-service checklist 6
 - screws 5
 - tools, required 4
- right cover
 - location 467, 469, 476, 479
 - part number 467, 469, 476, 479
- rollers
 - transfer, secondary, removing and replacing 32

S

- screwdrivers, required 4
- screws
 - installing 5
 - types of 5

- secondary transfer roller
 - location 467, 469, 478, 481
 - part number 467, 469, 478, 481
- secondary transfer roller, removing and replacing 32
- separation roller assembly
 - location 471, 478, 481
 - part number 471, 478, 481
- service and support information v, 2, 460
- service approach
 - removing and replacing 6
- static, precautions for 4
- sub drive assembly (duplex models)
 - location 471, 478, 480
 - part number 471, 478, 480
- sub drive assembly (simplex models)
 - location 471, 478, 481
 - part number 471, 478, 481
- supplies
 - part numbers 9

T

- tips iii
- toner cartridges
 - removing and replacing 11
- tools, required 4
- top cover
 - removing and replacing 84
- top cover assembly (M252 duplex models)
 - location 467, 478, 481
 - part number 467, 469, 478, 480, 481
- top cover assembly (M252 simplex models)
 - location 467, 478, 480
 - part number 467, 478, 480
- top cover assembly (M277 duplex models)
 - location 469, 478, 480
- top cover assembly (M277 simplex models)
 - location 469, 478, 480
 - part number 469, 478, 480
- touchscreen control panel
 - removing and replacing 125, 142

- transfer roller
 - removing and replacing 32

W

- warnings iii

© 2015 HP Development Company, L.P.

www.hp.com

