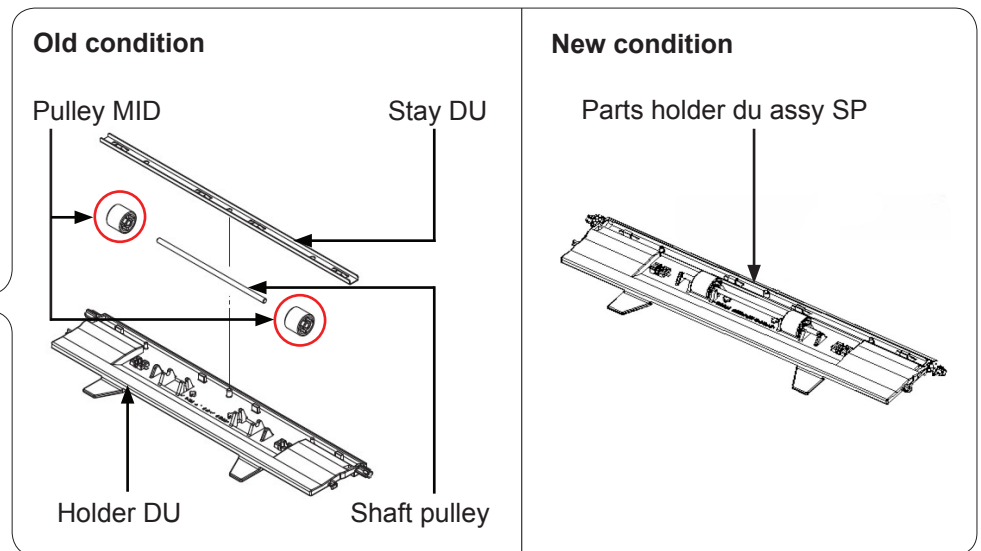
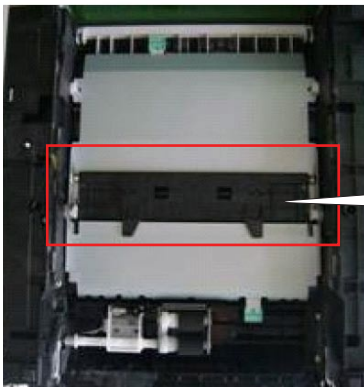


SB Number:	SB 2H9-011_ Revised issue	Creation Date: 12/01/2012
Subject:	Replacing/Re-assembling the Holder DU and Stay DU	
Model:	FS-1028MFP/1128MFP/1030MFP/1130MFP/1035MFP/1135MFP	

Revision information: Affected models have been added.

The **Holder DU** and **Stay DU** will no longer be supplied as individual parts since the paper may feed a skewed, when the adjustment is not performed after replacing one of the above mentioned parts individually. Therefore please use the **Parts holder DU assy SP** (302FM94060), when replacing the **Holder DU** or **Stay DU**.

Above view of the machine



Parts

No.	Old Parts No.	New Parts No.	Description	Q'TY		Interchangeability		SP
				Old	New	Old	New	
1	-----	302FM94060 2FM94060	PARTS HOLDER DU ASSY SP (*1)	-	1	-	○	○
2	2FM21010 5MVX861XB001	-----	+HOLDER DU	-	-	-	-	-
3	2FM21020 5MML821SD009	-----	+STAY DU	-	-	-	-	-

Part notes: (*1): This **Assembly part** contains the **Holder DU** (1 piece), the **Stay DU** (1 piece), the **Shaft pulley_302FM02421** (1 piece) and the **Pulley MID_2FM02210** (2 pieces)

Classification	<input type="checkbox"/> Entire stock rework <input type="checkbox"/> In-field modification at next visit <input type="checkbox"/> In-field modification by case <input checked="" type="checkbox"/> No modification necessary
Field measure	When replacing the Holder DU and Stay DU , please use the Parts holder DU assy SP (302FM94060). Do not replace the Holder DU and Stay DU individually. Under this condition, a skewed feeding of the paper may occur.