



ECOSYS M3145dn
ECOSYS M3645dn
ECOSYS M3145idn
ECOSYS M3645idn
ECOSYS M3655idn
ECOSYS M3660idn
PF-3110

PARTS LIST

Published in July 2018
Rev.3

ECOSYS M3645idn
PF-3110

パーツリスト

2018年7月 改訂版
Rev. 3

Items listed in the revision columns are defined as follows.

Item	Description
Add	Add a new part
Del	Delete a part
Design-chg.	A design changed part (Parts number version up)
Part No.-chg.	A part number is changed to other one.
Quantity-chg.	Change Quantity of parts to use
Others	Other changes
Correction	Correction

Revision history

Rev.	Date	Remarks
1	January 2018	Design change
2	March 2018	Design change & Add New Model (The revision history of the part code, the quantity of which is added after adding the new model, is not stated.)
3	July 2018	Design change and Correction

Symbols in the parts list

- Parts without a Ref.No. in the illustration indicate they are not supplied.
- Parts with a Ref.No. of 500 and above in the illustration indicate they are not selected for service parts.
- Parts with "*" are component parts or sub-assemblies of the assembly appearing immediately above them.
- Parts with "**" are component parts or sub-assembly with "*" appearing immediately above them.

<Notation of products>

For the purpose of this parts list, products are identified as following.

- ECOSYS M3145dn : 45ppm(A4),47ppm(Letter)(A)
 ECOSYS M3645dn : 45ppm(A4),47ppm(Letter)(AF)
 ECOSYS M3145idn : 45ppm(A4),47ppm(Letter)(B)
 ECOSYS M3645idn : 45ppm(A4),47ppm(Letter)(BF)
 ECOSYS M3655idn : 55ppm(A4),57ppm(Letter)
 ECOSYS M3660idn : 60ppm(A4),62ppm(Letter)

改訂欄記載項目の内容は以下の通りです。

記載項目	内容
Add	新規部品の追加
Del	部品の削除
Design-chg.	部品の設変（版数アップ）
Part No.-chg.	部品番号の変更
Quantity-chg.	部品の個数変更
Others	その他の変更
Correction	誤記訂正

改訂履歴

Rev.	改訂日	備考
2	2018年3月	新機種追加 (新機種追加に伴い数量追加した部品番号の改訂履歴は記載しておりません。)
3	2018年7月	設変対応および誤記訂正

記号の見方

- イラスト中で Ref 番号がない部品は供給できません。
 イラスト中で 500 番台の Ref 番号が付いている部品はサービスパーツに選定されていません。
 部品番号欄の・印は、組立部品の単品部品及び準組立部品を表わします。
 部品番号欄の**印は、準組立部品の単品部品を表わします。

<本体機種区別表記>

- パーツリスト中の本体機種区別は、以下の様に記載します。
 ECOSYS M3645idn : 45ppm(A4),47ppm(Letter)(BF)

ECOSYS M3145dn
ECOSYS M3645dn
ECOSYS M3145idn
ECOSYS M3645idn
ECOSYS M3655idn
ECOSYS M3660idn

FIG. 1 Covers

2TF/2TG/2V2/2V3/2TA/2TB-2

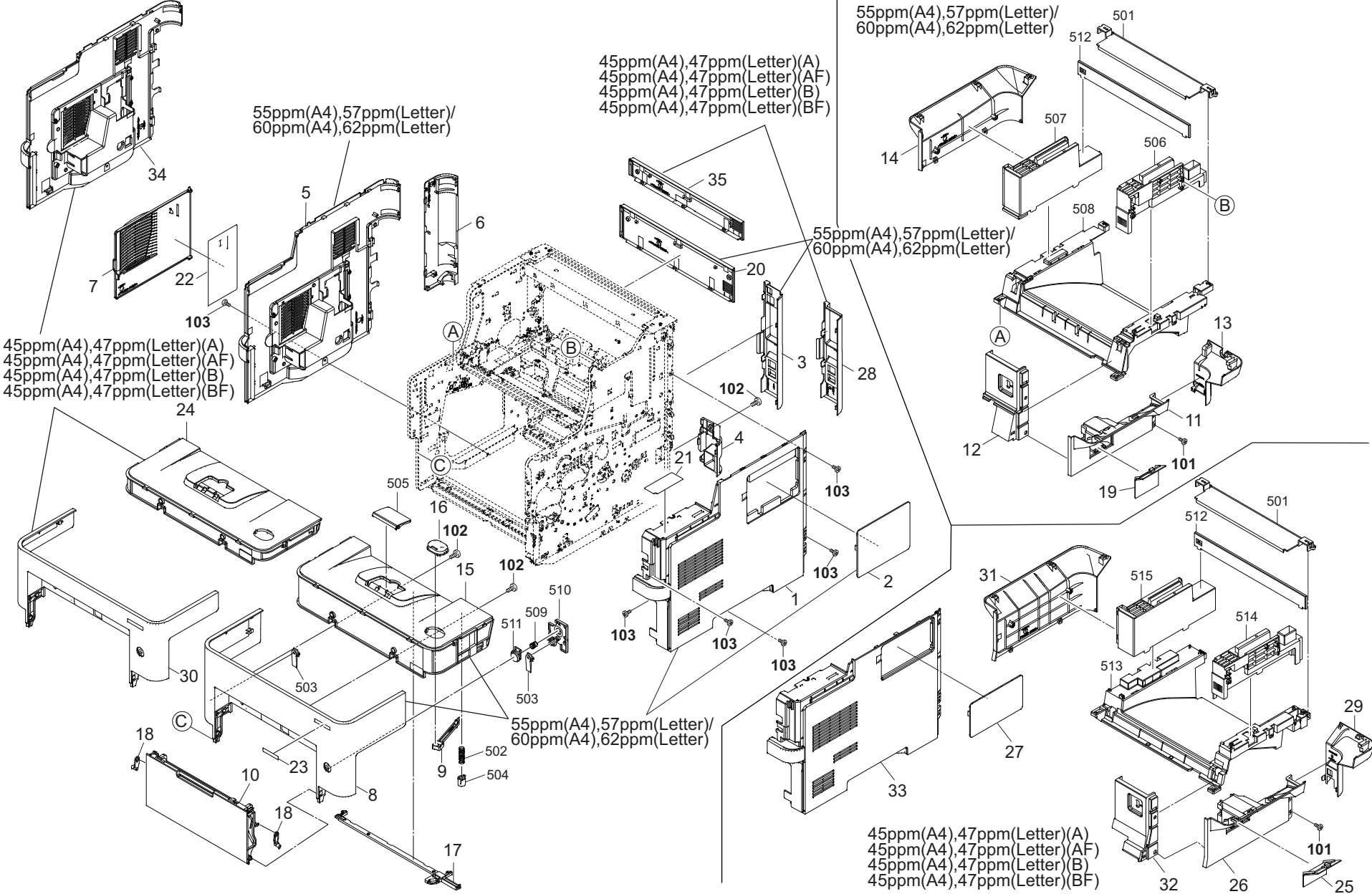


FIG. 1 Covers

2TF/2TG/2V2/2V3/2TA/2TB-3

Ref. No. 番号	Part.No. 部品番号	Description 部品名称	Notes 備考	Revision 改訂	Quantity 個数			
					100 (日本)	120	230	240
1	302TA04080	COVER RIGHT	55ppm(A4),57ppm(Letter)/60ppm(A4),62ppm(Letter)	2:Others		1	1	1
2	302TA04180	COVER SIDE RIGHT	55ppm(A4),57ppm(Letter)/60ppm(A4),62ppm(Letter)	2:Others		1	1	1
3	302TA04190	COVER CONTROLLER	55ppm(A4),57ppm(Letter)/60ppm(A4),62ppm(Letter)	2:Others		1	1	1
4	302TP04220	COVER RIGHT REAR LOW			1	1	1	1
5	302TA04090	COVER LEFT	55ppm(A4),57ppm(Letter)/60ppm(A4),62ppm(Letter)	2:Others		1	1	1
6	302TP04200	COVER LEFT REAR			1	1	1	1
7	302TP04130	COVER SIDE			1	1	1	1
8	302TA04030	COVER FRONT	55ppm(A4),57ppm(Letter)/60ppm(A4),62ppm(Letter)	2:Others		1	1	1
9	302TA04050	HOOK LID TOP A			1	1	1	1
10	302TP94010	PARTS COVER MPF ASSY SP		2:Others/3:Others	1	1	1	1
11	302TA04120	COVER RIGHT UP A	55ppm(A4),57ppm(Letter)/60ppm(A4),62ppm(Letter)	2:Others		1	1	1
12	302TA04130	COVER RIGHT UP B	55ppm(A4),57ppm(Letter)/60ppm(A4),62ppm(Letter)	2:Others		1	1	1
13	302TA04200	COVER CONTROLLER UP	55ppm(A4),57ppm(Letter)/60ppm(A4),62ppm(Letter)	2:Others		1	1	1
14	302TA04140	COVER LEFT UP	55ppm(A4),57ppm(Letter)/60ppm(A4),62ppm(Letter)	2:Others		1	1	1
15	302TA04010	LID TOP	55ppm(A4),57ppm(Letter)/60ppm(A4),62ppm(Letter)	2:Others		1	1	1
16	302TA04040	KEY COVER OPEN			1	1	1	1
17	302TA04060	HOOK LID TOP B			1	1	1	1
18	3V2LV08100	LEVER LINK			2	2	2	2
19	302TA04230	COVER WIFI	55ppm(A4),57ppm(Letter)/60ppm(A4),62ppm(Letter)	2:Others		1	1	1
20	302TP04180	COVER REAR TOP	55ppm(A4),57ppm(Letter)/60ppm(A4),62ppm(Letter)	2:Others		1	1	1
21	302LV34210	LABEL LEVER A			1	1	1	1
22	302TP04240	SHEET COVER SIDE			1	1	1	1
23	302TB34010	SHEET MACHINE NUMBER	55ppm(A4),57ppm(Letter)			1	1	1
23	302TA34010	SHEET MACHINE NUMBER	60ppm(A4),62ppm(Letter)			1	1	1
23	302TF34010	SHEET MACHINE NUMBER	45ppm(A4),47ppm(Letter)(A)	2:Add			1	
23	302TG34010	SHEET MACHINE NUMBER	45ppm(A4),47ppm(Letter)(AF)	2:Add			1	1
23	302V234010	SHEET MACHINE NUMBER	45ppm(A4),47ppm(Letter)(B)	2:Add		1	1	
23	302V334010	SHEET MACHINE NUMBER	45ppm(A4),47ppm(Letter)(BF)	2:Add	1	1	1	1
24	302V304010	LID TOP	45ppm(A4),47ppm(Letter)(A)/45ppm(A4),47ppm(Letter)(AF)/ 45ppm(A4),47ppm(Letter)(B)/45ppm(A4),47ppm(Letter)(BF)	2:Add	1	1	1	1
25	302V304160	COVER WIFI	45ppm(A4),47ppm(Letter)(A)/45ppm(A4),47ppm(Letter)(AF)/ 45ppm(A4),47ppm(Letter)(B)/45ppm(A4),47ppm(Letter)(BF)	2:Add	1	1	1	1
26	302V304090	COVER RIGHT UP A	45ppm(A4),47ppm(Letter)(A)/45ppm(A4),47ppm(Letter)(AF)/ 45ppm(A4),47ppm(Letter)(B)/45ppm(A4),47ppm(Letter)(BF)	2:Add	1	1	1	1
27	302V304150	COVER SIDE RIGHT	45ppm(A4),47ppm(Letter)(A)/45ppm(A4),47ppm(Letter)(AF)/ 45ppm(A4),47ppm(Letter)(B)/45ppm(A4),47ppm(Letter)(BF)	2:Add	1	1	1	1
28	302V304140	COVER CONTROLLER	45ppm(A4),47ppm(Letter)(AF)/45ppm(A4),47ppm(Letter)(BF)	2:Add	1	1	1	1
28	302V204010	COVER CONTROLLER	45ppm(A4),47ppm(Letter)(A)/45ppm(A4),47ppm(Letter)(B)	2:Add		1	1	
29	302V304110	COVER CONTROLLER UP	45ppm(A4),47ppm(Letter)(A)/45ppm(A4),47ppm(Letter)(AF)/ 45ppm(A4),47ppm(Letter)(B)/45ppm(A4),47ppm(Letter)(BF)	2:Add	1	1	1	1
30	302V304060	COVER FRONT	45ppm(A4),47ppm(Letter)(A)/45ppm(A4),47ppm(Letter)(AF)/ 45ppm(A4),47ppm(Letter)(B)/45ppm(A4),47ppm(Letter)(BF)	2:Add	1	1	1	1
31	302V304040	COVER LEFT UP	45ppm(A4),47ppm(Letter)(A)/45ppm(A4),47ppm(Letter)(AF)/ 45ppm(A4),47ppm(Letter)(B)/45ppm(A4),47ppm(Letter)(BF)	2:Add	1	1	1	1
32	302V304100	COVER RIGHT UP B	45ppm(A4),47ppm(Letter)(A)/45ppm(A4),47ppm(Letter)(AF)/ 45ppm(A4),47ppm(Letter)(B)/45ppm(A4),47ppm(Letter)(BF)	2:Add	1	1	1	1
33	302V304050	COVER RIGHT	45ppm(A4),47ppm(Letter)(A)/45ppm(A4),47ppm(Letter)(AF)/ 45ppm(A4),47ppm(Letter)(B)/45ppm(A4),47ppm(Letter)(BF)	2:Add	1	1	1	1
34	302V304130	COVER LEFT	45ppm(A4),47ppm(Letter)(A)/45ppm(A4),47ppm(Letter)(AF)/ 45ppm(A4),47ppm(Letter)(B)/45ppm(A4),47ppm(Letter)(BF)	2:Add	1	1	1	1

• Parts with a Ref.No. of 500 and above in the illustration indicate they are not selected for service parts.

• イラスト中で 500 番台の Ref 番号が付いている部品はサービスパーツに選定されていません。

FIG. 2 Frames

2TF/2TG/2V2/2V3/2TA/2TB-3

45ppm(A4),47ppm(Letter)(AF)/
45ppm(A4),47ppm(Letter)(BF)/
55ppm(A4),57ppm(Letter)/
60ppm(A4),62ppm(Letter)

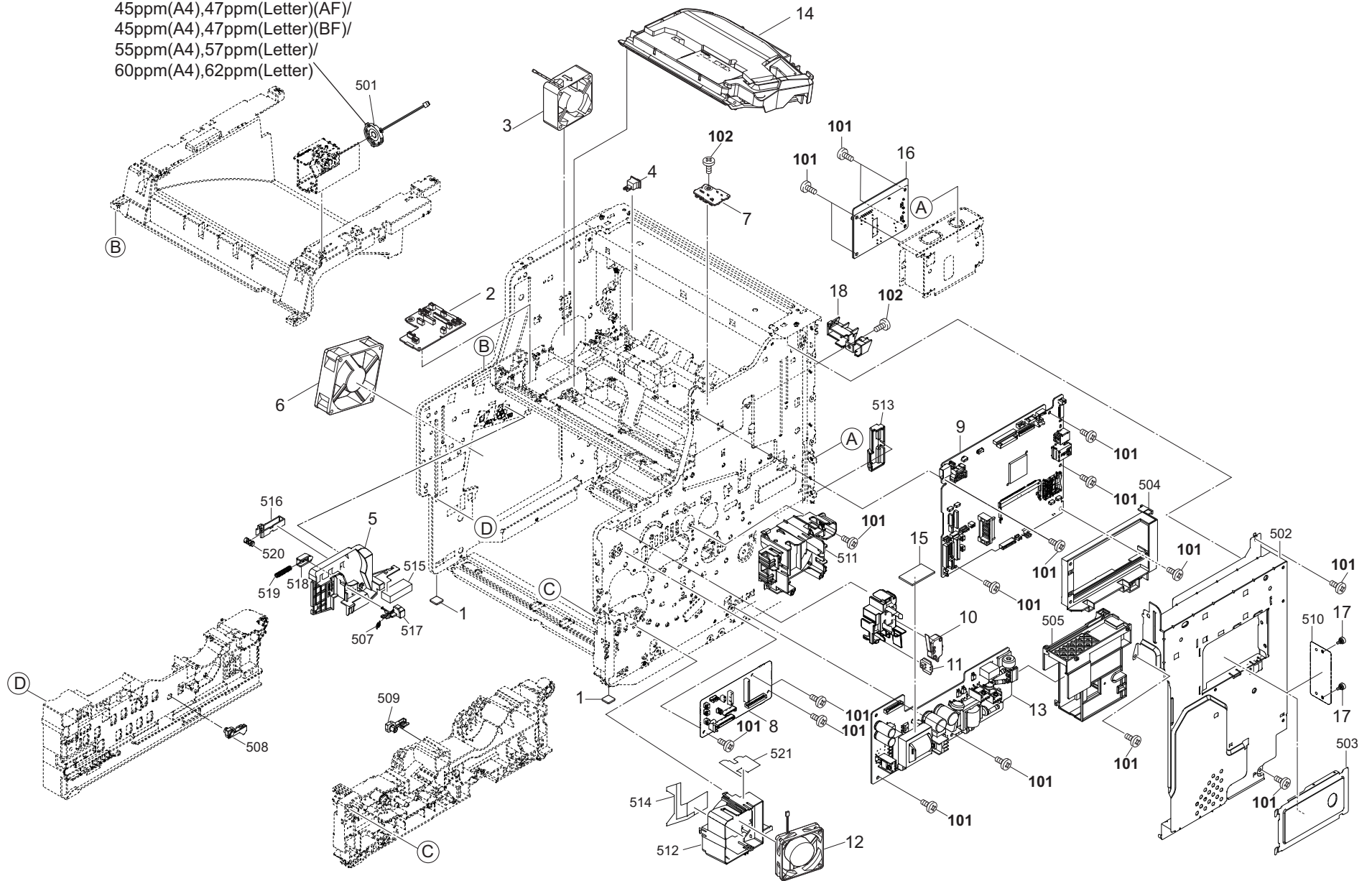


FIG. 2 Frames

2TF/2TG/2V2/2V3/2TA/2TB-3

Ref. No. 番号	Part.No. 部品番号	Description 部品名称	Notes 備考	Revision 改訂	Quantity 個数			
					100 (日本)	120	230	240
1	302HN02611	FOOT			2	2	2	2
2	302T694070	PARTS PWB ASSY CONNECT-L SP	55ppm(A4),57ppm(Letter)/60ppm(A4),62ppm(Letter)	2:Others		1	1	1
2	302T994040	PARTS PWB ASSY CONNECT-L SP	45ppm(A4),47ppm(Letter)(A)/45ppm(A4),47ppm(Letter)(AF)/45ppm(A4),47ppm(Letter)(B)/45ppm(A4),47ppm(Letter)(BF)	2:Add	1	1	1	1
3	302GR44080	FAN LSU 60-25			1	1	1	1
4	7SP01000006+H01	SW.PUSH			1	1	1	1
5	302LV11240	GUIDE CONTAINER			1	1	1	1
6	302HN44010	FAN MOTOR			1	1	1	1
7	302LV94220	PARTS PWB ASSY TH CONNECT SP	55ppm(A4),57ppm(Letter)/60ppm(A4),62ppm(Letter)	2:Others		1	1	1
7	302TP94030	PARTS PWB ASSY TH CONNECT SP	45ppm(A4),47ppm(Letter)(A)/45ppm(A4),47ppm(Letter)(AF)/45ppm(A4),47ppm(Letter)(B)/45ppm(A4),47ppm(Letter)(BF)	2:Add	1	1	1	1
8	302TA94100	PARTS PWB ASSY CONNECT-R SP	55ppm(A4),57ppm(Letter)/60ppm(A4),62ppm(Letter)	2:Others		1	1	1
8	302V394050	PARTS PWB ASSY CONNECT-R SP	45ppm(A4),47ppm(Letter)(A)/45ppm(A4),47ppm(Letter)(AF)/45ppm(A4),47ppm(Letter)(B)/45ppm(A4),47ppm(Letter)(BF)	2:Add	1	1	1	1
9	302TB94010	PARTS PWB ASSY CONTROLLER SP	55ppm(A4),57ppm(Letter)			1		1
9	302TB94020	PARTS PWB ASSY CONTROLLER SP EU	55ppm(A4),57ppm(Letter)				1	
9	302TA94040	PARTS PWB ASSY CONTROLLER SP	60ppm(A4),62ppm(Letter)			1		1
9	302TA94050	PARTS PWB ASSY CONTROLLER SP EU	60ppm(A4),62ppm(Letter)				1	
9	302TF94020	PARTS PWB ASSY CONTROLLER SP EU	45ppm(A4),47ppm(Letter)(A)	2:Add			1	
9	302TG94020	PARTS PWB ASSY CONTROLLER SP	45ppm(A4),47ppm(Letter)(AF)	2:Add				1
9	302TG94030	PARTS PWB ASSY CONTROLLER SP EU	45ppm(A4),47ppm(Letter)(AF)	2:Add			1	
9	302V294010	PARTS PWB ASSY CONTROLLER SP	45ppm(A4),47ppm(Letter)(B)	2:Add		1		
9	302V294020	PARTS PWB ASSY CONTROLLER SP EU	45ppm(A4),47ppm(Letter)(B)	2:Add			1	
9	302V394020	PARTS PWB ASSY CONTROLLER SP	45ppm(A4),47ppm(Letter)(BF)	2:Add	1	1		1
9	302V394030	PARTS PWB ASSY CONTROLLER SP EU	45ppm(A4),47ppm(Letter)(BF)	2:Add			1	
10	2FB27160	INTER LOCK SWITCH			1	1	1	1
11	302LV94210	PARTS PWB ASSY SWITCH SP			1	1	1	1
12	302FZ94420	PARTS,FAN COOLING CONVEYING SP			1	1	1	1
13	302TA94110	PARTS UNIT LOW VOLTAGE 100V SP	55ppm(A4),57ppm(Letter)/60ppm(A4),62ppm(Letter)	2:Others		1		
13	302TA94120	PARTS UNIT LOW VOLTAGE 200V SP	55ppm(A4),57ppm(Letter)/60ppm(A4),62ppm(Letter)	2:Others			1	1
13	302T694100	PARTS UNIT POWER SUPPLY 120 SP	45ppm(A4),47ppm(Letter)(B)/45ppm(A4),47ppm(Letter)(BF)	2:Add	1	1		
13	302T694110	PARTS UNIT POWER SUPPLY 230 SP	45ppm(A4),47ppm(Letter)(A)/45ppm(A4),47ppm(Letter)(AF)/45ppm(A4),47ppm(Letter)(B)/45ppm(A4),47ppm(Letter)(BF)	2:Add			1	1
14	302TA93010	LK-3290	55ppm(A4),57ppm(Letter)/60ppm(A4),62ppm(Letter)	2:Others		1	1	1
14	302V393010	LK-3260	45ppm(A4),47ppm(Letter)(A)/45ppm(A4),47ppm(Letter)(AF)/45ppm(A4),47ppm(Letter)(B)/45ppm(A4),47ppm(Letter)(BF)	2:Add	1	1	1	1
15	302TA02060	SHEET TRANSFORMER	55ppm(A4),57ppm(Letter)/60ppm(A4),62ppm(Letter)	2:Others		1	1	1
16	303PA94011	PARTS FAX UNIT E SP	45ppm(A4),47ppm(Letter)(AF)/45ppm(A4),47ppm(Letter)(BF)/55ppm(A4),57ppm(Letter)/60ppm(A4),62ppm(Letter)	2:Others			1	1
16	302R794340	PARTS FAX UNIT U SP	45ppm(A4),47ppm(Letter)(BF)/55ppm(A4),57ppm(Letter)/60ppm(A4),62ppm(Letter)	2:Others		1		
16	302R794330	PARTS FAX UNIT J SP	45ppm(A4),47ppm(Letter)(BF)	2:Add	1			
17	302F939082	SCREW BOX			2	2	2	2
18	3V2LV02990	COVER SENSOR		3:Add	1	1	1	1
101	7BB700308H	+BIND T.T S SCREW 3X8 SR						
102	7BB200412H	+BIND T.T P SCREW 4X12						

• Parts with a Ref.No. of 500 and above in the illustration indicate they are not selected for service parts.

• イラスト中で 500 番台の Ref 番号が付いている部品はサービスパーツに選定されていません。

FIG. 3 Paper Cassette

2TF/2TG/2V2/2V3/2TA/2TB-2

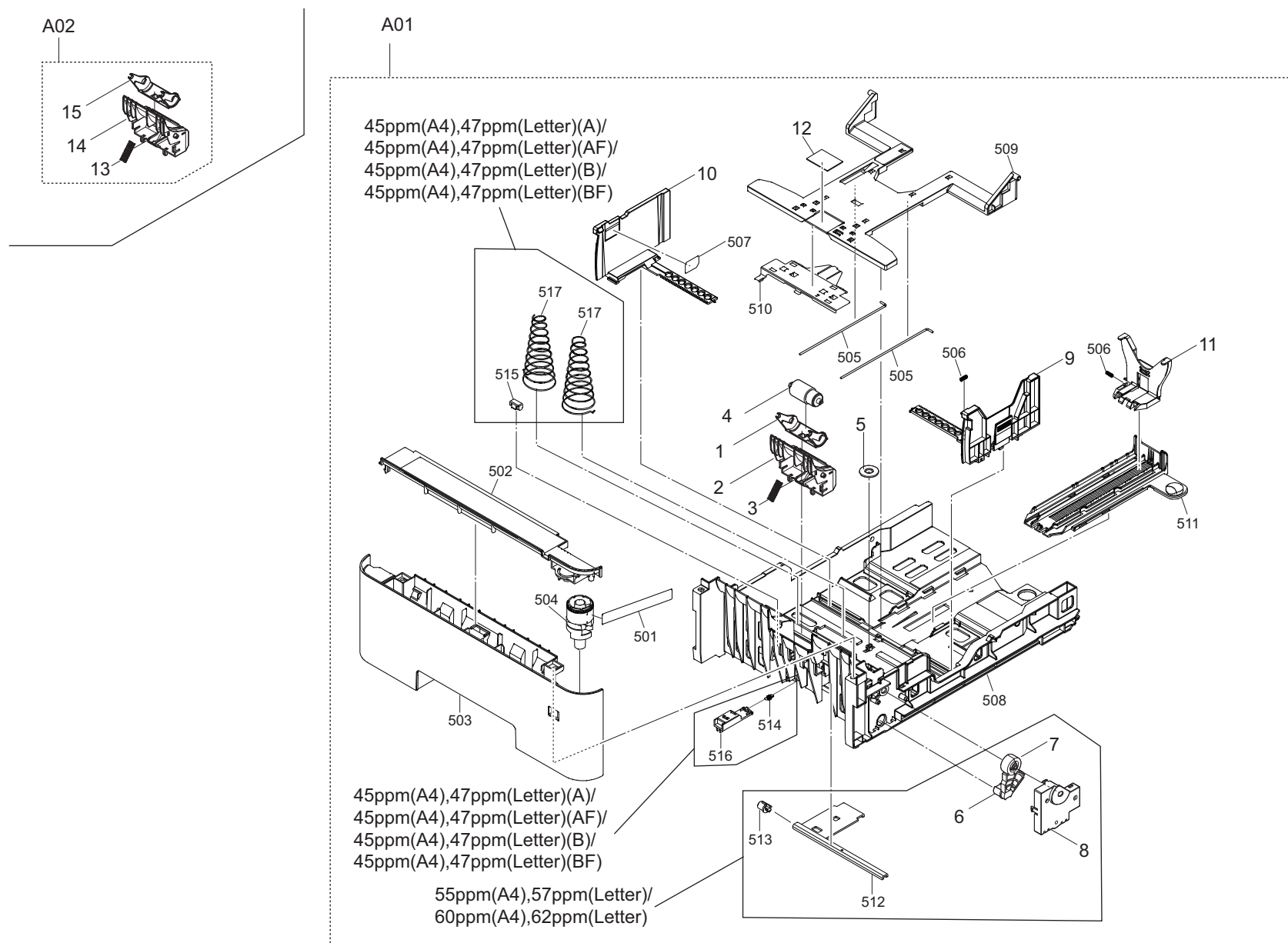


FIG. 3 Paper Cassette

2TF/2TG/2V2/2V3/2TA/2TB-2

Ref. No. 番号	Part.No. 部品番号	Description 部品名称	Notes 備考	Revision 改訂	Quantity 個数			
					100 (日本)	120	230	240
A01	302TP93010	CT-3230	55ppm(A4),57ppm(Letter)/60ppm(A4),62ppm(Letter)	2:Others		1	1	1
A01	302TT93010	CT-3200	45ppm(A4),47ppm(Letter)(A)/45ppm(A4),47ppm(Letter)(AF)/45ppm(A4),47ppm(Letter)(B)/45ppm(A4),47ppm(Letter)(BF)	2:Add	1	1	1	1
1	*3V2LV09311	HOLDER RETARD B			1	1	1	1
2	*302LV09340	GUIDE RETARD C			1	1	1	1
3	*302LV09330	SPRING RETARD B			1	1	1	1
4	*302F909171	RETARD ROLLER ASSY			1	1	1	1
5	*5MVG127DN071	GEAR CASSETTE /A-49 CASSETTE A4			1	1	1	1
6	*302LV09241	GEAR Z48S LIFT	55ppm(A4),57ppm(Letter)/60ppm(A4),62ppm(Letter)	2:Others		1	1	1
7	*302LV09220	GEAR Z15S JOINT	55ppm(A4),57ppm(Letter)/60ppm(A4),62ppm(Letter)	2:Others		1	1	1
8	*302LV09201	COVER LIFT GEAR	55ppm(A4),57ppm(Letter)/60ppm(A4),62ppm(Letter)	2:Others		1	1	1
9	*302LV09351	CURSOR RIGHT B			1	1	1	1
10	*302LV09070	CURSOR LEFT			1	1	1	1
11	*3V2P709150	CURSOR END			1	1	1	1
12	*302F909210	PAD BOTTOM			1	1	1	1
A02	302LV94480	PARTS HOLDER RETARD B SET SP			1	1	1	1
13	*302LV09330	SPRING RETARD B			1	1	1	1
14	*302LV09340	GUIDE RETARD C			1	1	1	1
15	*3V2LV09311	HOLDER RETARD B			1	1	1	1

• Parts with a Ref.No. of 500 and above in the illustration indicate they are not selected for service parts.

• イラスト中で 500 番台の Ref 番号が付いている部品はサービスパーツに選定されていません。

FIG. 4 Paper Feed Section

2TF/2TG/2V2/2V3/2TA/2TB-2

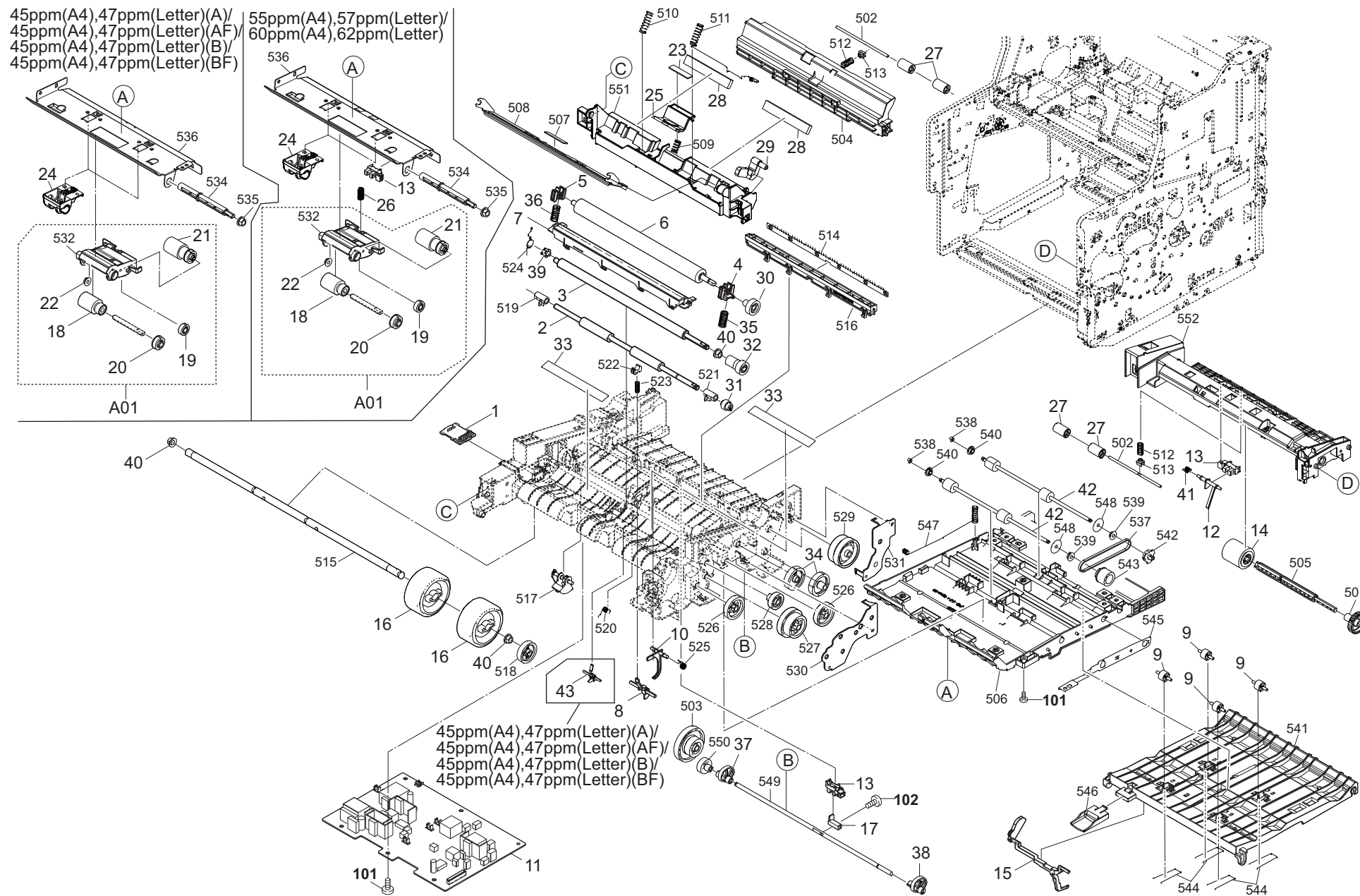


FIG. 4 Paper Feed Section

2TF/2TG/2V2/2V3/2TA/2TB-2

Ref. No. 番号	Part.No. 部品番号	Description 部品名称	Notes 備考	Revision 改訂	Quantity 個数			
					100 (日本)	120	230	240
1	302T694080	PARTS PWB ASSY DRUM CONNECT SP	55ppm(A4),57ppm(Letter)/60ppm(A4),62ppm(Letter)	2:Others		1	1	1
1	302T694080	PARTS PWB ASSY DRUM CONNECT SP	45ppm(A4),47ppm(Letter)(A)/45ppm(A4),47ppm(Letter)(AF)/45ppm(A4),47ppm(Letter)(B)/45ppm(A4),47ppm(Letter)(BF)	2:Add	1	1	1	1
2	302LV94170	PARTS ROLLER REGIST LOW SP			1	1	1	1
3	302LV94180	PARTS ROLLER REGIST UP SP			1	1	1	1
4	302F924190	BUSH TRANSFER R			1	1	1	1
5	302LV24360	BUSH TRANSFER L			1	1	1	1
6	302LV94130	PARTS ROLLER TRANSFER SP			1	1	1	1
7	302LV94261	PARTS GUIDE PAPER CHUTE SP						
7	302LV94330	PARTS GUIDE PAPER CHUTE SP JP	45ppm(A4),47ppm(Letter)(BF)	2:Add	1	1	1	1
8	302LV24100	ACTUATOR IMAGE			1	1	1	1
9	302LV24760	PULLEY PA			4	4	4	4
10	3V2LV24111	ACTUATOR DU			1	1	1	1
11	302LV94060	PARTS HIGH VOLTAGE UNIT SP	55ppm(A4),57ppm(Letter)/60ppm(A4),62ppm(Letter)	2:Others		1	1	1
11	302L294030	PARTS HIGH VOLTAGE UNIT SP	45ppm(A4),47ppm(Letter)(A)/45ppm(A4),47ppm(Letter)(AF)/45ppm(A4),47ppm(Letter)(B)/45ppm(A4),47ppm(Letter)(BF)	2:Add	1	1	1	1
12	302LV08180	ACTUATOR MPF			1	1	1	1
13	303M894260	PARTS SENSOR OPT SP	55ppm(A4),57ppm(Letter)/60ppm(A4),62ppm(Letter)	2:Others		3	3	3
13	303M894260	PARTS SENSOR OPT SP	45ppm(A4),47ppm(Letter)(A)/45ppm(A4),47ppm(Letter)(AF)/45ppm(A4),47ppm(Letter)(B)/45ppm(A4),47ppm(Letter)(BF)	2:Add	2	2	2	2
14	302HS08260	ROLLER M/P ASSY			1	1	1	1
15	302LV29090	ACTUATOR PE			1	1	1	1
16	302NM24010	ROLLER MIDDLE ASSY			2	2	2	2
17	302LV24450	ACTUATOR ENVELOPE			1	1	1	1
A01	302LV94270	PARTS HOLDER FEED ASSY SP			1	1	1	1
18	*302F906230	PULLEY FEED ASSY			1	1	1	1
19	*302F906030	GEAR FEED Z26H			1	1	1	1
20	*302F906280	GEAR FEED Z30H			1	1	1	1
21	*302HNO6080	PULLEY PICKUP ASSY			1	1	1	1
22	*302K306460	BUSH 4			1	1	1	1
23	302F908250	PAD SEPARATOR MPF			1	1	1	1
24	3V2LV06030	GUIDE FEED SIDE			2	2	2	2
25	3V2LV08070	HOLDER SEPARATION MPF			1	1	1	1
26	3V2LV06090	SPRING PICKUP B	55ppm(A4),57ppm(Letter)/60ppm(A4),62ppm(Letter)	2:Others		1	1	1
27	3V2LV08210	PULLEY FEED			4	4	4	4
28	302LV08220	SHEET GUIDE TURN A			2	2	2	2
29	3V2LV08090	LEVER CAM MPF			1	1	1	1
30	302LV24140	GEAR Z22R TC			1	1	1	1
31	302LV24150	GEAR Z22L REGIST LOW			1	1	1	1
32	302LV24160	GEAR Z19R-Z22R REGIST UP			1	1	1	1
33	302LV24220	SHEET REGIST			2	2	2	2
34	302HS31140	GEAR Z35R IDLE			2	2	2	2
35	302LV24280	SPRING TRANSFER R			1	1	1	1
36	302LV24290	SPRING TRANSFER L			1	1	1	1
37	3V2LV24440	LOCK ENVELOPE L			1	1	1	1
38	3V2LV24510	LOCK ENVELOPE R			1	1	1	1
39	302LV24520	BUSH 6 EW			1	1	1	1
40	302H702590	BUSH SCREW			3	3	3	3
41	302LV08201	SPRING ACTUATOR MPF			1	1	1	1

• Parts with a Ref.No. of 500 and above in the illustration indicate they are not selected for service parts.

• イラスト中で 500 番台の Ref 番号が付いている部品はサービスパーツに選定されていません。

FIG. 5 Image Formation Section

2TF/2TG/2V2/2V3/2TA/2TB-2

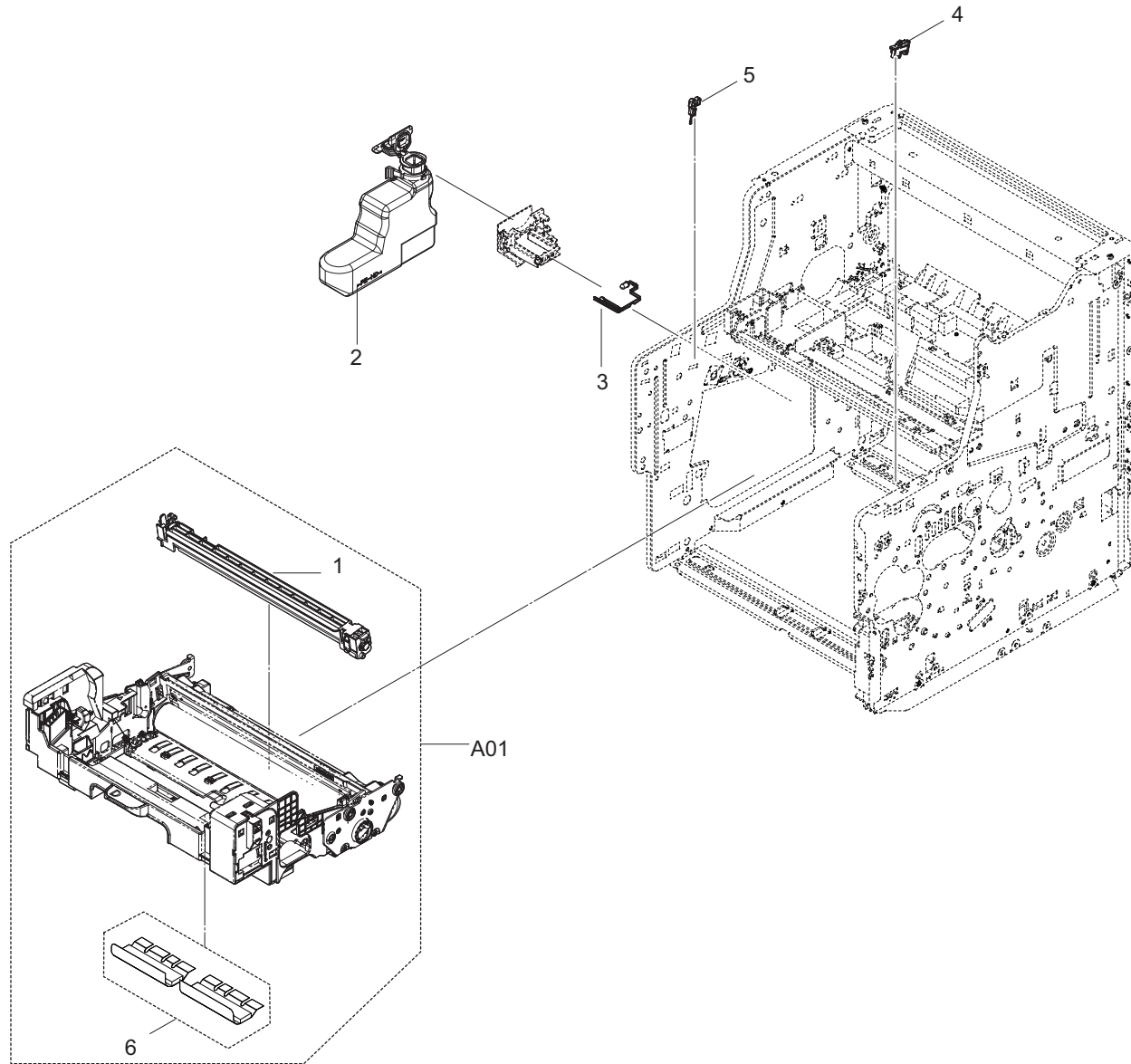


FIG. 6 Developer Section

2TF/2TG/2V2/2V3/2TA/2TB

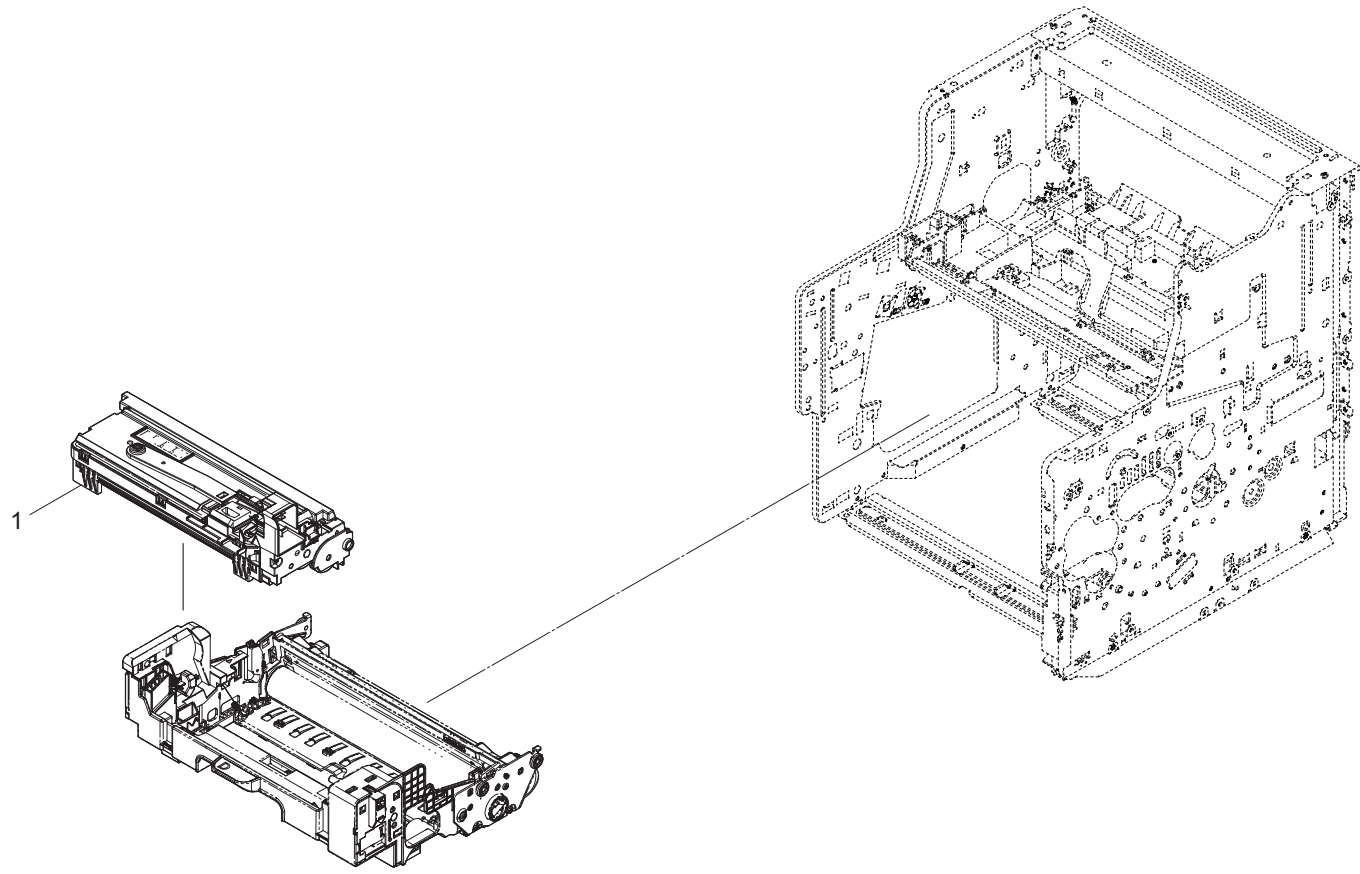


FIG. 6 Developer Section

2TF/2TG/2V2/2V3/2TA/2TB

Ref. No. 番号	Part.No. 部品番号	Description 部品名称	Notes 備考	Revision 改訂	Quantity 個数			
					100 (日本)	120	230	240
1	302LV93081	DV-3100			1	1	1	1

• Parts with a Ref.No. of 500 and above in the illustration indicate they are not selected for service parts.

・イラスト中で 500 番台の Ref 番号が付いている部品はサービスパーツに選定されていません。

FIG. 7 Fuser Section

2TF/2TG/2V2/2V3/2TA/2TB

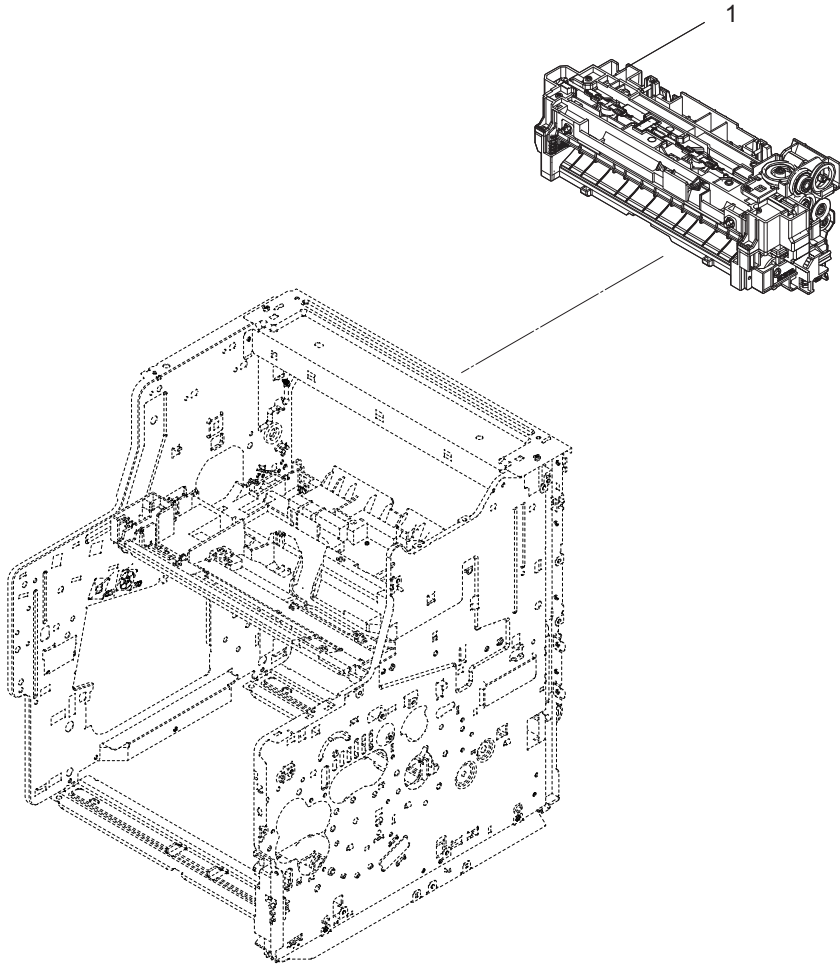


FIG. 7 Fuser Section

2TF/2TG/2V2/2V3/2TA/2TB-2

Ref. No. 番号	Part.No. 部品番号	Description 部品名称	Notes 備考	Revision 改訂	Quantity 個数			
					100 (日本)	120	230	240
1	302TA93040	FK-3300	55ppm(A4),57ppm(Letter)/60ppm(A4),62ppm(Letter)	2:Others			1	1
1	302TA93050	FK-3302	55ppm(A4),57ppm(Letter)/60ppm(A4),62ppm(Letter)	2:Others		1		
1	302V393040	FK-3200	45ppm(A4),47ppm(Letter)(A)/45ppm(A4),47ppm(Letter)(AF)/45ppm(A4),47ppm(Letter)(B)/45ppm(A4),47ppm(Letter)(BF)	2:Add			1	1
1	302V393050	FK-3201	45ppm(A4),47ppm(Letter)(BF)	2:Add	1			
1	302V393060	FK-3202	45ppm(A4),47ppm(Letter)(B)/45ppm(A4),47ppm(Letter)(BF)	2:Add		1		

• Parts with a Ref.No. of 500 and above in the illustration indicate they are not selected for service parts.

• イラスト中で 500 番台の Ref 番号が付いている部品はサービスパーツに選定されていません。

FIG. 8 Exit Section

2TF/2TG/2V2/2V3/2TA/2TB-2

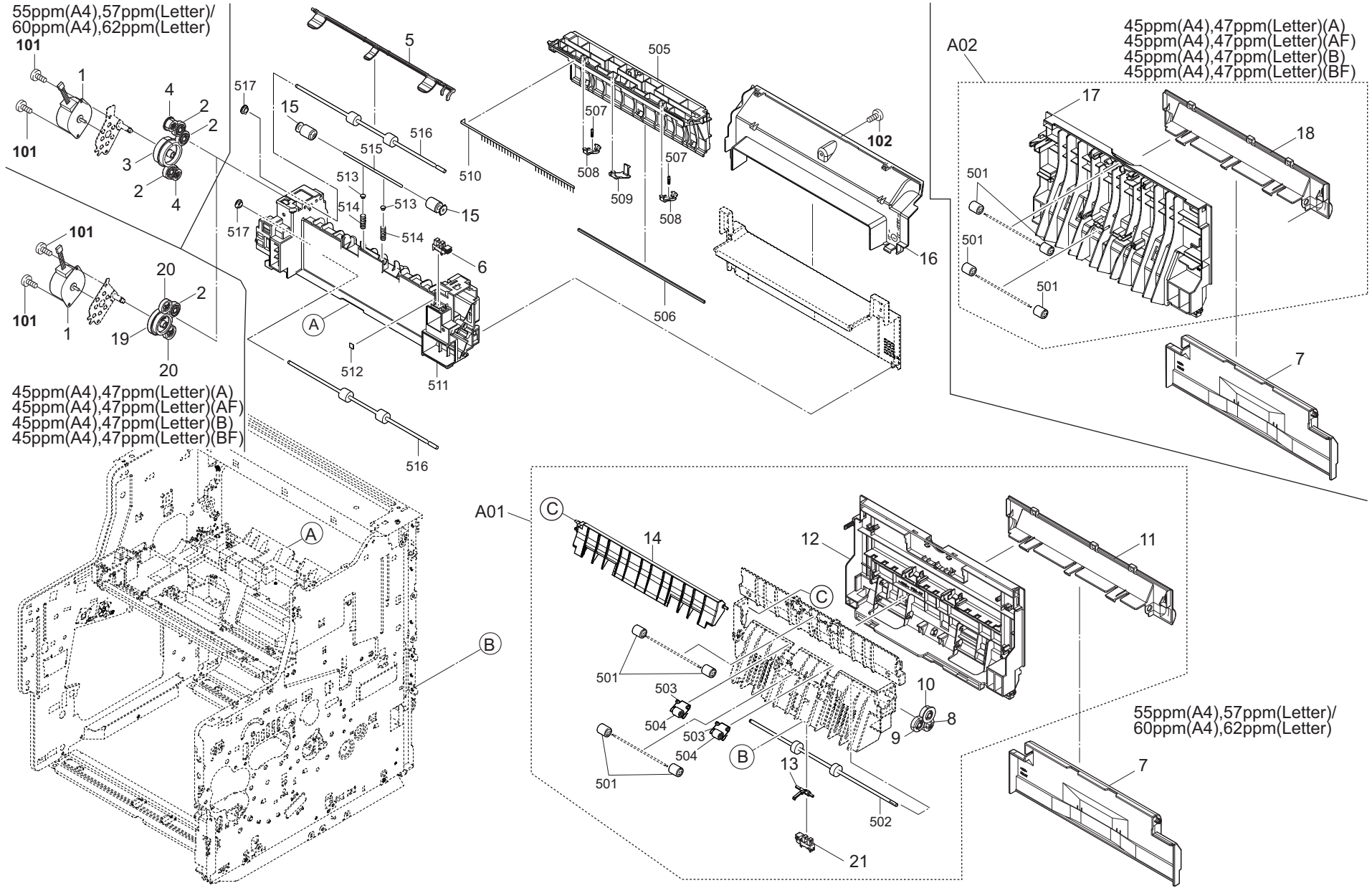


FIG. 8 Exit Section

2TF/2TG/2V2/2V3/2TA/2TB-2

Ref. No. 番号	Part.No. 部品番号	Description 部品名称	Notes 備考	Revision 改訂	Quantity 個数			
					100 (日本)	120	230	240
1	302T994050	PARTS MOTOR EJECT SP			1	1	1	1
2	302LV28050	GEAR Z22S	55ppm(A4),57ppm(Letter)/60ppm(A4),62ppm(Letter)	2:Others		3	3	3
2	302LV28050	GEAR Z22S	45ppm(A4),47ppm(Letter)(A)/45ppm(A4),47ppm(Letter)(AF)/45ppm(A4),47ppm(Letter)(B)/45ppm(A4),47ppm(Letter)(BF)	2:Add	1	1	1	1
3	302LV28031	GEAR Z66R-Z40S	55ppm(A4),57ppm(Letter)/60ppm(A4),62ppm(Letter)	2:Others		1	1	1
4	302LV28040	GEAR Z17S	55ppm(A4),57ppm(Letter)/60ppm(A4),62ppm(Letter)	2:Others		2	2	2
5	302LV28141	ACTUATOR OVERFLOW	55ppm(A4),57ppm(Letter)/60ppm(A4),62ppm(Letter)	2:Others		1	1	1
5	302L228090	ACTUATOR OVERFLOW	45ppm(A4),47ppm(Letter)(A)/45ppm(A4),47ppm(Letter)(AF)/45ppm(A4),47ppm(Letter)(B)/45ppm(A4),47ppm(Letter)(BF)	2:Add	1	1	1	1
6	302P794010	PARTS SENSOR OPT. SP		2:Others	1	1	1	1
7	302TP04230	COVER CASSETTE			1	1	1	1
A01	302TP94020	PARTS COVER REAR ASSY SP	55ppm(A4),57ppm(Letter)/60ppm(A4),62ppm(Letter)	2:Others		1	1	1
8	*302LV28090	GEAR Z20S	55ppm(A4),57ppm(Letter)/60ppm(A4),62ppm(Letter)	2:Others		1	1	1
9	*302LV28191	GEAR Z22S B	55ppm(A4),57ppm(Letter)/60ppm(A4),62ppm(Letter)	2:Others		1	1	1
10	*302LV28100	GEAR Z22S A	55ppm(A4),57ppm(Letter)/60ppm(A4),62ppm(Letter)	2:Others		1	1	1
11	*302TP04210	COVER REAR LOW	55ppm(A4),57ppm(Letter)/60ppm(A4),62ppm(Letter)	2:Others		1	1	1
12	*302LV04100	COVER REAR UP	55ppm(A4),57ppm(Letter)/60ppm(A4),62ppm(Letter)	2:Others		1	1	1
13	*3V2LV28070	ACTUATOR DU	55ppm(A4),57ppm(Letter)/60ppm(A4),62ppm(Letter)	2:Others		1	1	1
14	*3V2LV28081	GUIDE CHANGE	55ppm(A4),57ppm(Letter)/60ppm(A4),62ppm(Letter)	2:Others		1	1	1
21	*303M894260	PARTS SENSOR OPT SP	55ppm(A4),57ppm(Letter)/60ppm(A4),62ppm(Letter)	2:Others		1	1	1
15	3V2LV28150	PULLEY EXIT			2	2	2	2
16	302TA04160	COVER STAY B	55ppm(A4),57ppm(Letter)/60ppm(A4),62ppm(Letter)	2:Others		1	1	1
16	302V304120	COVER STAY B	45ppm(A4),47ppm(Letter)(A)/45ppm(A4),47ppm(Letter)(AF)/45ppm(A4),47ppm(Letter)(B)/45ppm(A4),47ppm(Letter)(BF)	2:Add	1	1	1	1
A02	302TT94010	PARTS COVER REAR ASSY SP	45ppm(A4),47ppm(Letter)(A)/45ppm(A4),47ppm(Letter)(AF)/45ppm(A4),47ppm(Letter)(B)/45ppm(A4),47ppm(Letter)(BF)	2:Add	1	1	1	1
17	*3V2L204041	COVER REAR UP	45ppm(A4),47ppm(Letter)(A)/45ppm(A4),47ppm(Letter)(AF)/45ppm(A4),47ppm(Letter)(B)/45ppm(A4),47ppm(Letter)(BF)	2:Add	1	1	1	1
18	*302TP04210	COVER REAR LOW			1	1	1	1
19	302L228041	GEAR Z66R Z34S	45ppm(A4),47ppm(Letter)(A)/45ppm(A4),47ppm(Letter)(AF)/45ppm(A4),47ppm(Letter)(B)/45ppm(A4),47ppm(Letter)(BF)	2:Add	1	1	1	1
20	302L228030	GEAR Z21S EXIT	45ppm(A4),47ppm(Letter)(A)/45ppm(A4),47ppm(Letter)(AF)/45ppm(A4),47ppm(Letter)(B)/45ppm(A4),47ppm(Letter)(BF)	2:Add	2	2	2	2
101	7BB200308H	+BIND T.T P SCREW 3X8						
102	7BB282308H	+TP-FLAT T.T P SCREW 3X8(BLACK)						

• Parts with a Ref.No. of 500 and above in the illustration indicate they are not selected for service parts.

• イラスト中で 500 番台の Ref 番号が付いている部品はサービスパーツに選定されていません。

FIG. 9 Scanner Section

2TF/2TG/2V2/2V3/2TA/2TB

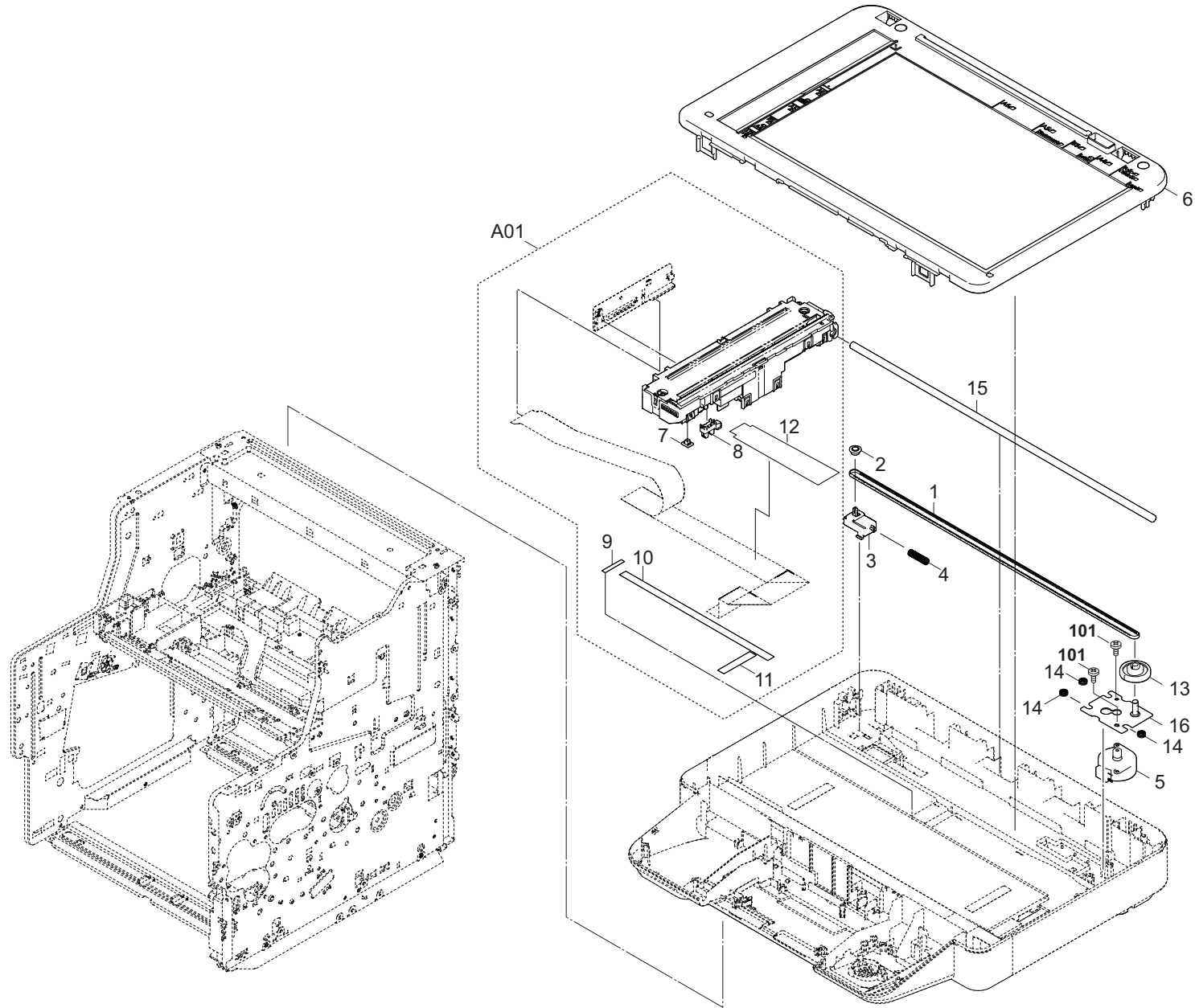


FIG. 9 Scanner Section

2TF/2TG/2V2/2V3/2TA/2TB-2

Ref. No. 番号	Part.No. 部品番号	Description 部品名称	Notes 備考	Revision 改訂	Quantity 個数			
					100 (日本)	120	230	240
1	302H917230	BELT ISU			1	1	1	1
2	302M417180	PULLEY TENSION			1	1	1	1
3	3V2NM17210	MOUNT TENSION PULLEY			1	1	1	1
4	3V2NM17600	SPRING-COMPRESSION ISU BELT			1	1	1	1
5	302H994270	PARTS MOTOR ISU SP			1	1	1	1
6	302TA94020	PARTS FRAME ISU TOP ASSY SP			1	1	1	1
A01	302TA93020	PARTS ISU ASSY SP	45ppm(A4),47ppm(Letter)(B)/45ppm(A4),47ppm(Letter)(BF)/55ppm(A4),57ppm(Letter)/60ppm(A4),62ppm(Letter)	2:Others	1	1	1	1
A01	302TG93010	PARTS ISU ASSY SP	45ppm(A4),47ppm(Letter)(A)/45ppm(A4),47ppm(Letter)(AF)	2:Add			1	1
7	*302H917450	SLIDER ISU			1	1	1	1
8	*303M894260	PARTS SENSOR OPT SP			1	1	1	1
9	*3V2NM17310	TAPE FFC A			1	1	1	1
10	*3V2NM17320	TAPE FFC B			1	1	1	1
11	*3V2NM17490	TAPE FFC C			1	1	1	1
12	*3V2NM17560	SHEET FFC LEFT			1	1	1	1
13	3V2NM17200	GEAR Z63R-P32 ISU			1	1	1	1
14	302JD19140	BUSHING FAN			3	3	3	3
15	3V2NM17270	SHAFT ISU			1	1	1	1
16	3V2NM17190	MOUNT MOTOR ISU			1	1	1	1
101	7BB600306H	+BIND M SCREW 3X6 R						

• Parts with a Ref.No. of 500 and above in the illustration indicate they are not selected for service parts.

• イラスト中で 500 番台の Ref 番号が付いている部品はサービスパーツに選定されていません。

FIG. 10 Drive Section

2TF/2TG/2V2/2V3/2TA/2TB-3

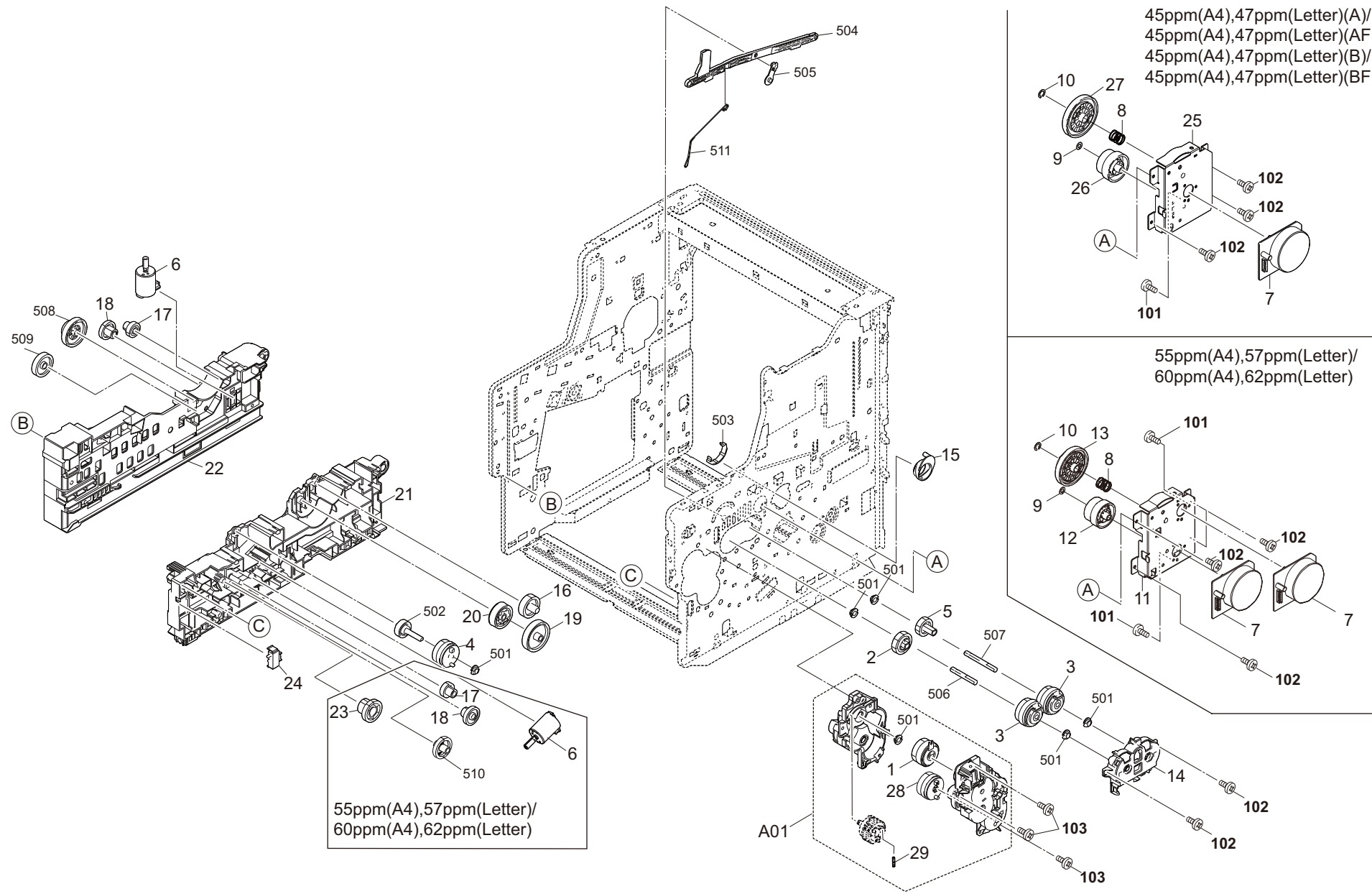


FIG. 10 Drive Section

2TF/2TG/2V2/2V3/2TA/2TB-3

Ref. No. 番号	Part.No. 部品番号	Description 部品名称	Notes 備考	Revision 改訂	Quantity 個数			
					100 (日本)	120	230	240
A01	302LV94253	PARTS DRIVE FEED ASSY SP			1	1	1	1
1	+302NR94010	PARTS CLUTCH 35 Z35R SP			1	1	1	1
28	+302LV94161	PARTS CLUTCH 20-2W Z35R		2:Add	1	1	1	1
29	+302HN31650	SPRING INPUT MPF		3:Add	1	1	1	1
2	302LV31440	GEAR Z32L REG CL	55ppm(A4),57ppm(Letter)/60ppm(A4),62ppm(Letter)	2:Others		1	1	1
2	3V2LV31190	GEAR Z32L REG CLUTCH	45ppm(A4),47ppm(Letter)(A)/45ppm(A4),47ppm(Letter)(AF)/45ppm(A4),47ppm(Letter)(B)/45ppm(A4),47ppm(Letter)(BF)	2:Add	1	1	1	1
3	302KV44041	CLUTCH 50 Z35R			2	2	2	2
4	302LV94161	PARTS CLUTCH 20-2W Z35R			1	1	1	1
5	302LV31180	GEAR Z26L DLP CLUTCH			1	1	1	1
6	302LV94230	PARTS DC MOTOR ASSY SP	55ppm(A4),57ppm(Letter)/60ppm(A4),62ppm(Letter)	2:Others		2	2	2
6	302LV94230	PARTS DC MOTOR ASSY SP	45ppm(A4),47ppm(Letter)(A)/45ppm(A4),47ppm(Letter)(AF)/45ppm(A4),47ppm(Letter)(B)/45ppm(A4),47ppm(Letter)(BF)	2:Add	1	1	1	1
7	302K394201	PARTS MOTOR-BL W30 SP	55ppm(A4),57ppm(Letter)/60ppm(A4),62ppm(Letter)	2:Others		2	2	2
7	302K394201	PARTS MOTOR-BL W30 SP	45ppm(A4),47ppm(Letter)(A)/45ppm(A4),47ppm(Letter)(AF)/45ppm(A4),47ppm(Letter)(B)/45ppm(A4),47ppm(Letter)(BF)	2:Add	1	1	1	1
8	302LV31290	SPRING COUPLING DRUM			1	1	1	1
9	2C904550	CUT WASHER 5			1	1	1	1
10	302K914570	CUT WASHER 7			1	1	1	1
11	302LV31010	PLATE DRIVE	55ppm(A4),57ppm(Letter)/60ppm(A4),62ppm(Letter)	2:Others		1	1	1
12	302LV31060	GEAR Z80R-Z36L	55ppm(A4),57ppm(Letter)/60ppm(A4),62ppm(Letter)	2:Others		1	1	1
13	302LV31050	GEAR Z119R	55ppm(A4),57ppm(Letter)/60ppm(A4),62ppm(Letter)	2:Others		1	1	1
14	3V2P702110	HOLDER CLUTCH			1	1	1	1
15	3V2LV31300	LEVER COUPLING DRUM			1	1	1	1
16	302HN25180	GEAR Z34S INPUT			1	1	1	1
17	302HN31030	GEAR Z36L-Z20S	55ppm(A4),57ppm(Letter)/60ppm(A4),62ppm(Letter)	2:Others		2	2	2
17	302HN31030	GEAR Z36L-Z20S	45ppm(A4),47ppm(Letter)(A)/45ppm(A4),47ppm(Letter)(AF)/45ppm(A4),47ppm(Letter)(B)/45ppm(A4),47ppm(Letter)(BF)	2:Add	1	1	1	1
18	302HN31040	GEAR Z46S-Z13S	55ppm(A4),57ppm(Letter)/60ppm(A4),62ppm(Letter)	2:Others		2	2	2
18	302HN31040	GEAR Z46S-Z13S	45ppm(A4),47ppm(Letter)(A)/45ppm(A4),47ppm(Letter)(AF)/45ppm(A4),47ppm(Letter)(B)/45ppm(A4),47ppm(Letter)(BF)	2:Add	1	1	1	1
19	3V2LV31120	GEAR Z46L FREE			1	1	1	1
20	3V2LV31130	GEAR Z37S FREE			1	1	1	1
21	3V2LV02042	GUIDE CASSETTE R			1	1	1	1
22	302LV02050	GUIDE CASSETTE L	55ppm(A4),57ppm(Letter)/60ppm(A4),62ppm(Letter)	2:Others		1	1	1
22	302T902010	GUIDE CASSETTE L	45ppm(A4),47ppm(Letter)(A)/45ppm(A4),47ppm(Letter)(AF)/45ppm(A4),47ppm(Letter)(B)/45ppm(A4),47ppm(Letter)(BF)	2:Add	1	1	1	1
23	3V2LV31490	GEAR Z35S-Z13S B	55ppm(A4),57ppm(Letter)/60ppm(A4),62ppm(Letter)	2:Others		1	1	1
24	7SP03072001+H01	SW.PUSH			1	1	1	1
25	302L231030	PLATE DRIVE	45ppm(A4),47ppm(Letter)(A)/45ppm(A4),47ppm(Letter)(AF)/45ppm(A4),47ppm(Letter)(B)/45ppm(A4),47ppm(Letter)(BF)	2:Add	1	1	1	1
26	302L231050	GEAR Z86R-Z36L	45ppm(A4),47ppm(Letter)(A)/45ppm(A4),47ppm(Letter)(AF)/45ppm(A4),47ppm(Letter)(B)/45ppm(A4),47ppm(Letter)(BF)	2:Add	1	1	1	1
27	302L231040	GEAR Z128R	45ppm(A4),47ppm(Letter)(A)/45ppm(A4),47ppm(Letter)(AF)/45ppm(A4),47ppm(Letter)(B)/45ppm(A4),47ppm(Letter)(BF)	2:Add	1	1	1	1
101	7BB000304H	+BIND M SCREW 3X4						
102	7BB700308H	+BIND T.T S SCREW 3X8 SR						
103	7BB700312H	+BIND T.T S SCREW 3X12 SR						

FIG. 11 Operation Section (45ppm(A4),47ppm(Letter)(A)/45ppm(A4),47ppm(Letter)(AF))

2TF/2TG/2V2/2V3/2TA/2TB-2

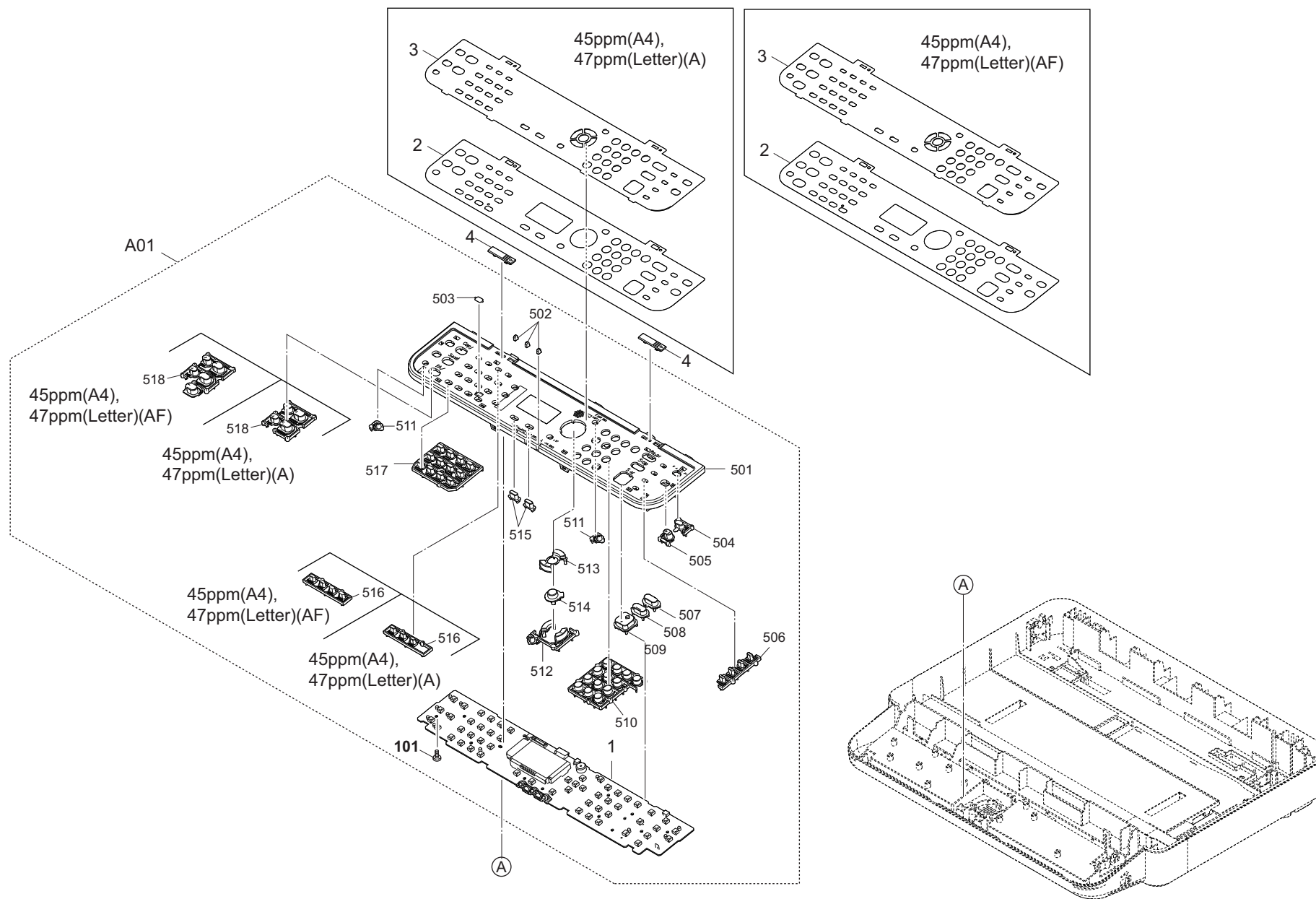


FIG. 11 Operation Section (45ppm(A4),47ppm(Letter)(A)/45ppm(A4),47ppm(Letter)(AF))

2TF/2TG/2V2/2V3/2TA/2TB-2

Ref. No. 番号	Part.No. 部品番号	Description 部品名称	Notes 備考	Revision 改訂	Quantity 個数			
					100(日本)	120	230	240
A01	302TF94010	PARTS OPERATION ASSY SP	45ppm(A4),47ppm(Letter)(A)	2:Add			1	
A01	302TG94010	PARTS OPERATION ASSY SP	45ppm(A4),47ppm(Letter)(AF)	2:Add			1	1
1	*302TF94030	PARTS PWB ASSY B PANEL SP	45ppm(A4),47ppm(Letter)(A)	2:Add			1	
1	*302TG94040	PARTS PWB ASSY B PANEL SP	45ppm(A4),47ppm(Letter)(AF)	2:Add			1	1
2	302TF05010	LABEL OPERATION ENG	45ppm(A4),47ppm(Letter)(A)	2:Add			1	
2	302TG05090	LABEL OPERATION ENG	45ppm(A4),47ppm(Letter)(AF)	2:Add			1	1
3	302P005020	PANEL OPERATION 3IN1	45ppm(A4),47ppm(Letter)(A)	2:Add			1	
3	302NZ05020	PANEL OPERATION	45ppm(A4),47ppm(Letter)(AF)	2:Add			1	1
4	302TG05060	LID OPERATION SHEET		2:Add			2	2
101	7BB200308H	+BIND T.T P SCREW 3X8						

• Parts with a Ref.No. of 500 and above in the illustration indicate they are not selected for service parts.

• イラスト中で 500 番台の Ref 番号が付いている部品はサービスパーツに選定されていません。

FIG. 12 Operation Section (45ppm(A4),47ppm(Letter)(B)/45ppm(A4),47ppm(Letter)(BF)/
55ppm(A4),57ppm(Letter)/60ppm(A4),62ppm(Letter))

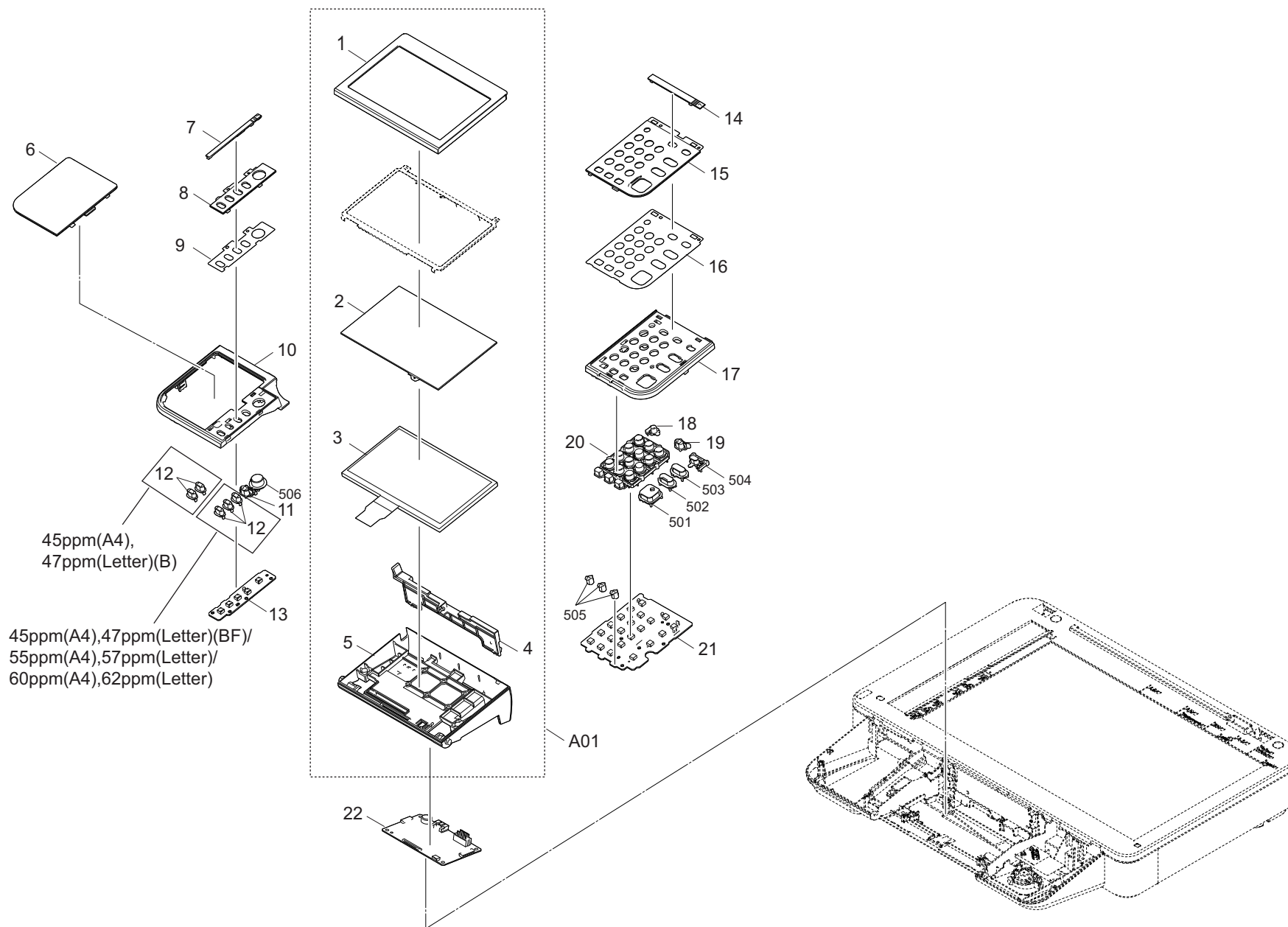


FIG. 12 Operation Section (45ppm(A4),47ppm(Letter)(B)/45ppm(A4),47ppm(Letter)(BF)/
55ppm(A4),57ppm(Letter)/60ppm(A4),62ppm(Letter))

2TF/2TG/2V2/2V3/2TA/2TB-2

Ref. No. 番号	Part.No. 部品番号	Description 部品名称	Notes 備考	Revision 改訂	Quantity 個数			
					100 (日本)	120	230	240
A01	302TA94030	PARTS LCD UNIT SP	45ppm(A4),47ppm(Letter)(B)/45ppm(A4),47ppm(Letter)(BF)/ 55ppm(A4),57ppm(Letter)/60ppm(A4),62ppm(Letter)	2:Others	1	1	1	1
1	*302TA05030	COVER LCD UPPER	45ppm(A4),47ppm(Letter)(B)/45ppm(A4),47ppm(Letter)(BF)/ 55ppm(A4),57ppm(Letter)/60ppm(A4),62ppm(Letter)	2:Others	1	1	1	1
2	*302NM94121	PARTS TABLET OPERATION SP	45ppm(A4),47ppm(Letter)(B)/45ppm(A4),47ppm(Letter)(BF)/ 55ppm(A4),57ppm(Letter)/60ppm(A4),62ppm(Letter)	2:Others	1	1	1	1
3	*302V194080	PARTS LCD OPERATION SP	45ppm(A4),47ppm(Letter)(B)/45ppm(A4),47ppm(Letter)(BF)/ 55ppm(A4),57ppm(Letter)/60ppm(A4),62ppm(Letter)	2:Others	1	1	1	1
4	*3V2NM05220	LEVER LCD	45ppm(A4),47ppm(Letter)(B)/45ppm(A4),47ppm(Letter)(BF)/ 55ppm(A4),57ppm(Letter)/60ppm(A4),62ppm(Letter)	2:Others	1	1	1	1
5	*302TA05040	COVER LCD LOWER	45ppm(A4),47ppm(Letter)(B)/45ppm(A4),47ppm(Letter)(BF)/ 55ppm(A4),57ppm(Letter)/60ppm(A4),62ppm(Letter)	2:Others	1	1	1	1
6	3V2NM05240	COVER CARD READER	45ppm(A4),47ppm(Letter)(B)/45ppm(A4),47ppm(Letter)(BF)/ 55ppm(A4),57ppm(Letter)/60ppm(A4),62ppm(Letter)	2:Others	1	1	1	1
7	302TA05070	LID OPERATION LEFT	45ppm(A4),47ppm(Letter)(B)/45ppm(A4),47ppm(Letter)(BF)/ 55ppm(A4),57ppm(Letter)/60ppm(A4),62ppm(Letter)	2:Others	1	1	1	1
8	3V2NM05060	COVER PANEL LEFT	45ppm(A4),47ppm(Letter)(BF)/55ppm(A4),57ppm(Letter)/ 60ppm(A4),62ppm(Letter)	2:Others	1	1	1	1
8	3V2NY05030	COVER PANEL LEFT 3IN1	45ppm(A4),47ppm(Letter)(B)	2:Add		1	1	
9	302TA05140	LABEL OPERATION LEFT ENG	45ppm(A4),47ppm(Letter)(BF)/55ppm(A4),57ppm(Letter)/ 60ppm(A4),62ppm(Letter)	2:Others		1	1	1
9	302TA05160	LABEL OPERATION LEFT JPN	45ppm(A4),47ppm(Letter)(BF)	2:Add	1			
9	302V205020	LABEL OPERATION LEFT ENG	45ppm(A4),47ppm(Letter)(B)	2:Add		1	1	
10	302TA05020	COVER OPERATION LEFT	45ppm(A4),47ppm(Letter)(B)/45ppm(A4),47ppm(Letter)(BF)/ 55ppm(A4),57ppm(Letter)/60ppm(A4),62ppm(Letter)	2:Others	1	1	1	1
11	302S505140	KEY STATUS T	45ppm(A4),47ppm(Letter)(B)/45ppm(A4),47ppm(Letter)(BF)/ 55ppm(A4),57ppm(Letter)/60ppm(A4),62ppm(Letter)	2:Others	1	1	1	1
12	302TA05060	KEY COPY	45ppm(A4),47ppm(Letter)(BF)/55ppm(A4),57ppm(Letter)/ 60ppm(A4),62ppm(Letter)	2:Others	3	3	3	3
12	302TA05060	KEY COPY	45ppm(A4),47ppm(Letter)(B)	2:Add		2	2	
13	302NM94100	PARTS PWB ASSY H PANEL KEY-L SP	45ppm(A4),47ppm(Letter)(B)/45ppm(A4),47ppm(Letter)(BF)/ 55ppm(A4),57ppm(Letter)/60ppm(A4),62ppm(Letter)	2:Others	1	1	1	1
14	302TA05080	LID OPERATION RIGHT	45ppm(A4),47ppm(Letter)(B)/45ppm(A4),47ppm(Letter)(BF)/ 55ppm(A4),57ppm(Letter)/60ppm(A4),62ppm(Letter)	2:Others	1	1	1	1
15	3V2NM05050	COVER PANEL RIGHT	45ppm(A4),47ppm(Letter)(B)/45ppm(A4),47ppm(Letter)(BF)/ 55ppm(A4),57ppm(Letter)/60ppm(A4),62ppm(Letter)	2:Others	1	1	1	1
16	302TA05130	LABEL OPERATION RIGHT ENG	45ppm(A4),47ppm(Letter)(BF)/55ppm(A4),57ppm(Letter)/ 60ppm(A4),62ppm(Letter)	2:Others		1	1	1
16	302TA05150	LABEL OPERATION RIGHT JPN	45ppm(A4),47ppm(Letter)(BF)	2:Add	1			
16	302V205010	LABEL OPERATION RIGHT ENG	45ppm(A4),47ppm(Letter)(B)	2:Add		1	1	
17	302TA05010	COVER OPERATION RIGHT	45ppm(A4),47ppm(Letter)(B)/45ppm(A4),47ppm(Letter)(BF)/ 55ppm(A4),57ppm(Letter)/60ppm(A4),62ppm(Letter)	2:Others	1	1	1	1
18	302TA05110	KEY MENU	45ppm(A4),47ppm(Letter)(B)/45ppm(A4),47ppm(Letter)(BF)/ 55ppm(A4),57ppm(Letter)/60ppm(A4),62ppm(Letter)	2:Others	1	1	1	1
19	302S505120	KEY LOGOUT	45ppm(A4),47ppm(Letter)(B)/45ppm(A4),47ppm(Letter)(BF)/ 55ppm(A4),57ppm(Letter)/60ppm(A4),62ppm(Letter)	2:Others	1	1	1	1
20	302TA05050	KEY 10	45ppm(A4),47ppm(Letter)(B)/45ppm(A4),47ppm(Letter)(BF)/ 55ppm(A4),57ppm(Letter)/60ppm(A4),62ppm(Letter)	2:Others	1	1	1	1
21	302TA94090	PARTS PWB ASSY H PANEL KEY-R SP	45ppm(A4),47ppm(Letter)(B)/45ppm(A4),47ppm(Letter)(BF)/ 55ppm(A4),57ppm(Letter)/60ppm(A4),62ppm(Letter)	2:Others	1	1	1	1
22	302TA94060	PARTS PWB ASSY H PANEL MAIN SP	45ppm(A4),47ppm(Letter)(B)/45ppm(A4),47ppm(Letter)(BF)/ 55ppm(A4),57ppm(Letter)/60ppm(A4),62ppm(Letter)	2:Others	1	1	1	1

• Parts with a Ref.No. of 500 and above in the illustration indicate they are not selected for service parts.

• イラスト中で 500 番台の Ref 番号が付いている部品はサービスパーツに選定されていません。

FIG. 13 DP ASSY SP (45ppm(A4),47ppm(Letter)(A)/45ppm(A4),47ppm(Letter)(AF)/
45ppm(A4),47ppm(Letter)(B)/45ppm(A4),47ppm(Letter)(BF))

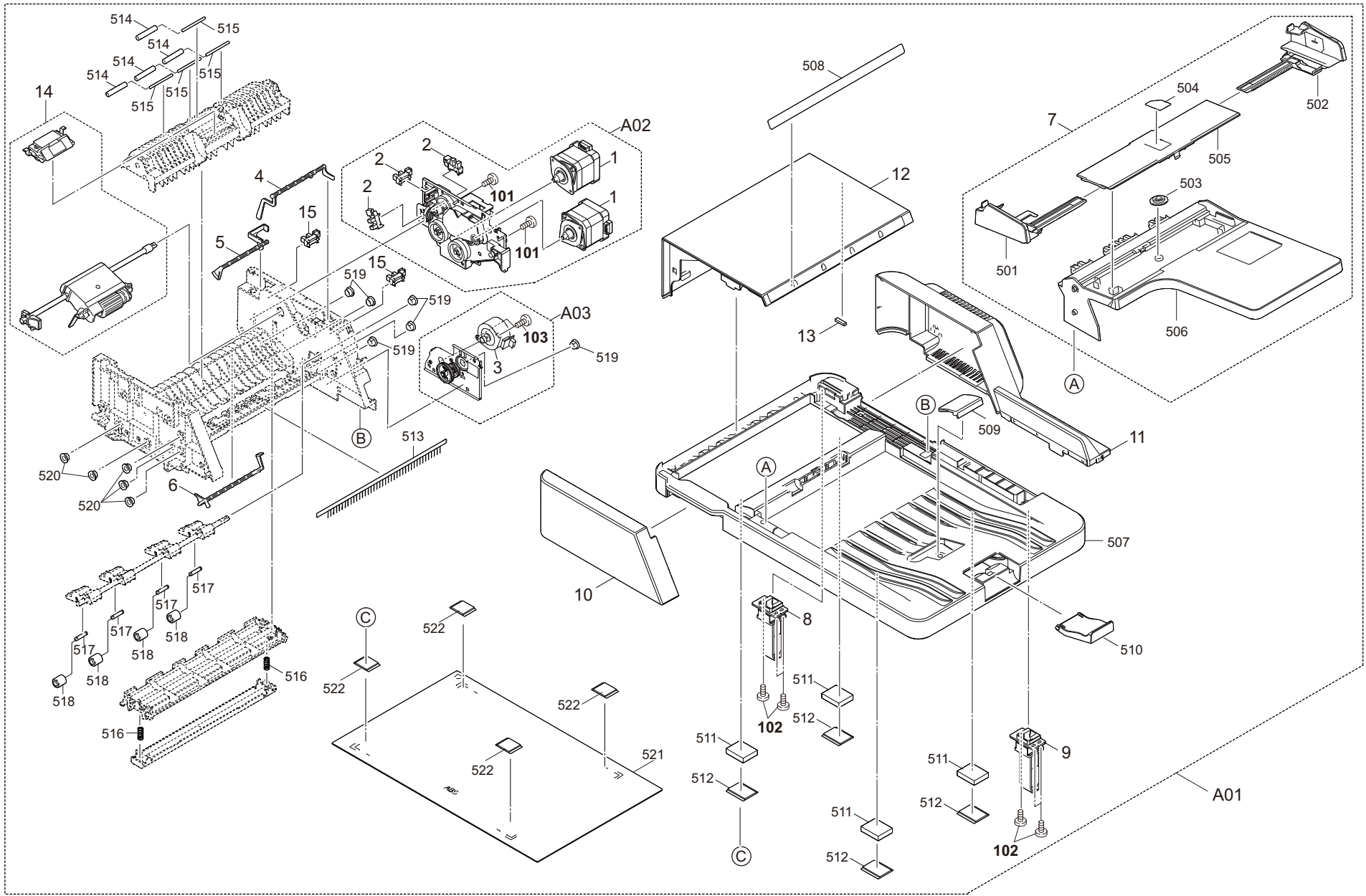


FIG. 13 DP ASSY SP (45ppm(A4),47ppm(Letter)(A)/45ppm(A4),47ppm(Letter)(AF)/
45ppm(A4),47ppm(Letter)(B)/45ppm(A4),47ppm(Letter)(BF))

2TF/2TG/2V2/2V3/2TA/2TB-2

Ref. No. 番号	Part.No. 部品番号	Description 部品名称	Notes 備考	Revision 改訂	Quantity 個数			
					100(日本)	120	230	240
A01	302V393030	PARTS DP UNIT SP	45ppm(A4),47ppm(Letter)(A)/45ppm(A4),47ppm(Letter)(AF)/ 45ppm(A4),47ppm(Letter)(B)/45ppm(A4),47ppm(Letter)(BF)	2:Add	1	1	1	1
A02	*302NM94231	PARTS DRIVE ASSY A SP		2:Add	1	1	1	1
1	**302NM94390	PARTS MOTOR-HB PAPER FEED SP		2:Add	2	2	2	2
2	**303M894260	PARTS SENSOR OPT SP		2:Add	3	3	3	3
A03	*302NM94240	PARTS DRIVE ASSY B SP		2:Add	1	1	1	1
3	**302KY94140	PARTS MOTOR ROTARY SP		2:Add	1	1	1	1
4	*3V2NM18750	ACTUATOR ORIGINAL		2:Add	1	1	1	1
5	*3V2NM18790	ACTUATOR PF		2:Add	1	1	1	1
6	*3V2NM18260	ACTUATOR TIMING		2:Add	1	1	1	1
7	*302V394010	PARTS TABLE MAIN ASSY SP		2:Add	1	1	1	1
8	*302NM18021	HINGE LEFT		2:Add	1	1	1	1
9	*302NM18031	HINGE RIGHT		2:Add	1	1	1	1
10	*302V318030	COVER FRONT		2:Add	1	1	1	1
11	*302V318040	COVER REAR		2:Add	1	1	1	1
12	*302V318020	COVER PF		2:Add	1	1	1	1
13	*3V2NM18180	CUSHION PF		2:Add	1	1	1	1
14	*1702P60UN0	MK-3140/MAINTENANCE KIT	OPTION	2:Add	1	1	1	1
15	*303M894260	PARTS SENSOR OPT SP		2:Add	2	2	2	2
101	7BB200308H	+BIND T.T P SCREW 3X8						
102	7BB202310H	+TP-FLAT T.T P SCREW 3X10						
103	7BB700306H	+BIND T.T S SCREW 3X6 SR						

• Parts with a Ref.No. of 500 and above in the illustration indicate they are not selected for service parts.

• イラスト中で 500 番台の Ref 番号が付いている部品はサービスパーツに選定されていません。

FIG. 14 DP ASSY SP (55ppm(A4),57ppm(Letter)/60ppm(A4),62ppm(Letter))

2TF/2TG/2V2/2V3/2TA/2TB

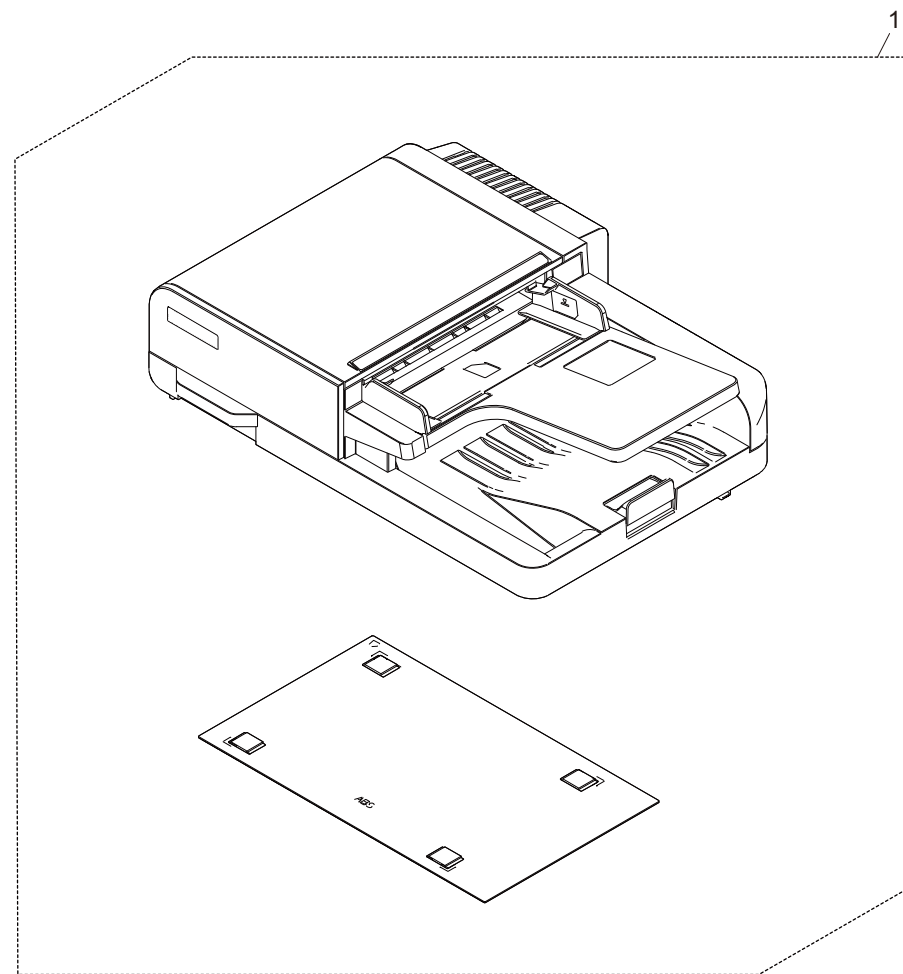


FIG. 14 DP ASSY SP (55ppm(A4),57ppm(Letter)/60ppm(A4),62ppm(Letter))

2TF/2TG/2V2/2V3/2TA/2TB

Ref. No. 番号	Part.No. 部品番号	Description 部品名称	Notes 備考	Revision 改訂	Quantity 個数			
					100(日本)	120	230	240
1	302TB93010	PARTS DP UNIT SP	55ppm(A4),57ppm(Letter)			1	1	1
1	302TA93030	PARTS DP UNIT SP	60ppm(A4),62ppm(Letter)			1	1	1

• Parts with a Ref.No. of 500 and above in the illustration indicate they are not selected for service parts.

• イラスト中で 500 番台の Ref 番号が付いている部品はサービスパーツに選定されていません。

FIG. 15 DP Covers (55ppm(A4),57ppm(Letter)/60ppm(A4),62ppm(Letter))

2TF/2TG/2V2/2V3/2TA/2TB

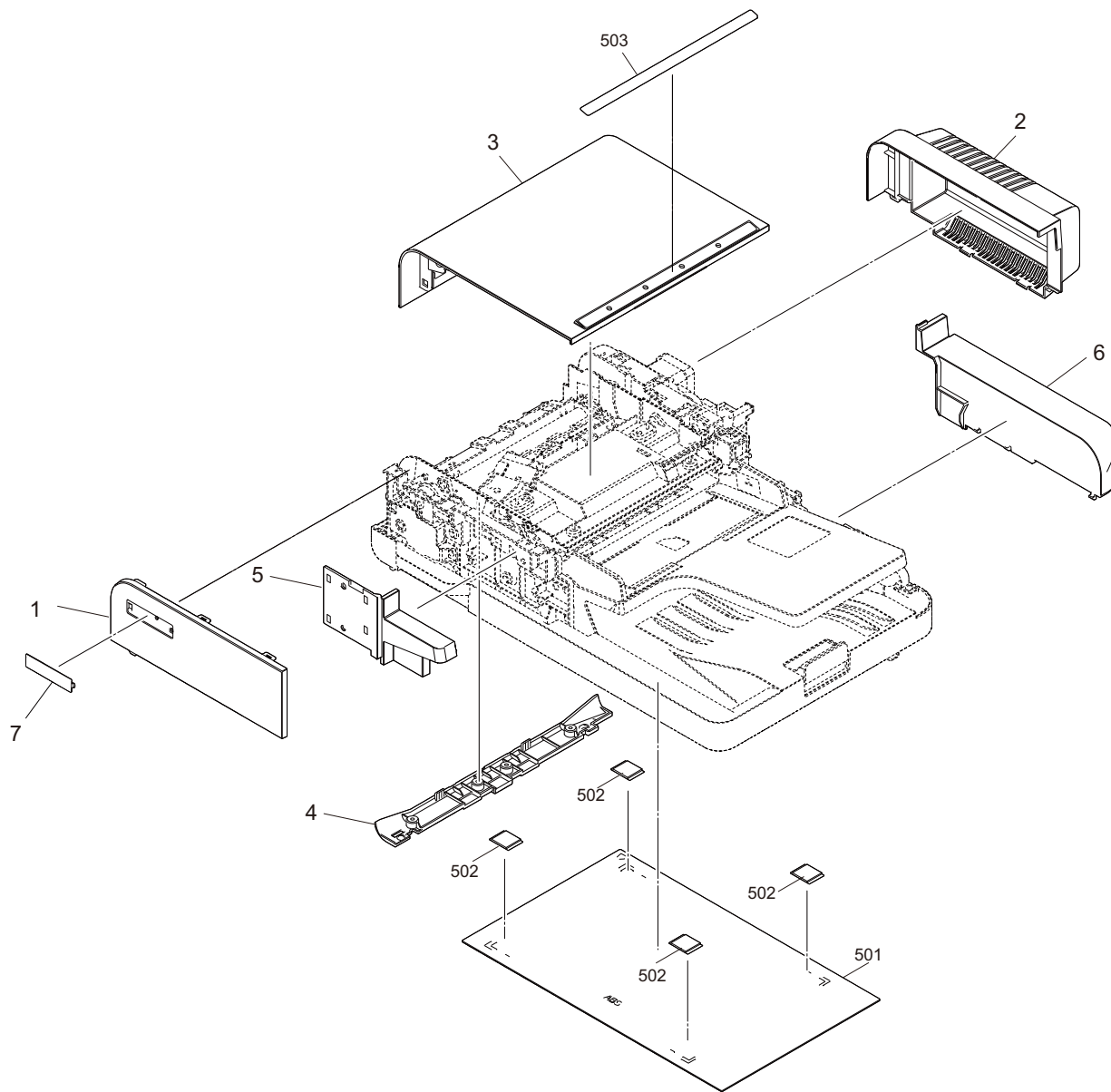


FIG. 15 DP Covers (55ppm(A4),57ppm(Letter)/60ppm(A4),62ppm(Letter))

2TF/2TG/2V2/2V3/2TA/2TB

Ref. No. 番号	Part.No. 部品番号	Description 部 品 名 称	Notes 備 考	Revision 改 訂	Quantity 個 数			
					100 (日本)	120	230	240
1	302V018410	COVER FRONT A				1	1	1
2	302V018430	COVER REAR A				1	1	1
3	302V018710	COVER PF				1	1	1
4	302TA18850	COVER BASE DP				1	1	1
5	302TA18870	COVER FRONT B				1	1	1
6	302TA18860	COVER REAR B				1	1	1
7	302S018491	EMBLEM				1	1	1

• Parts with a Ref.No. of 500 and above in the illustration indicate they are not selected for service parts.

・イラスト中で 500 番台の Ref 番号が付いている部品はサービスパーツに選定されていません。

FIG. 16 DP Frames (55ppm(A4),57ppm(Letter)/60ppm(A4),62ppm(Letter))

2TF/2TG/2V2/2V3/2TA/2TB

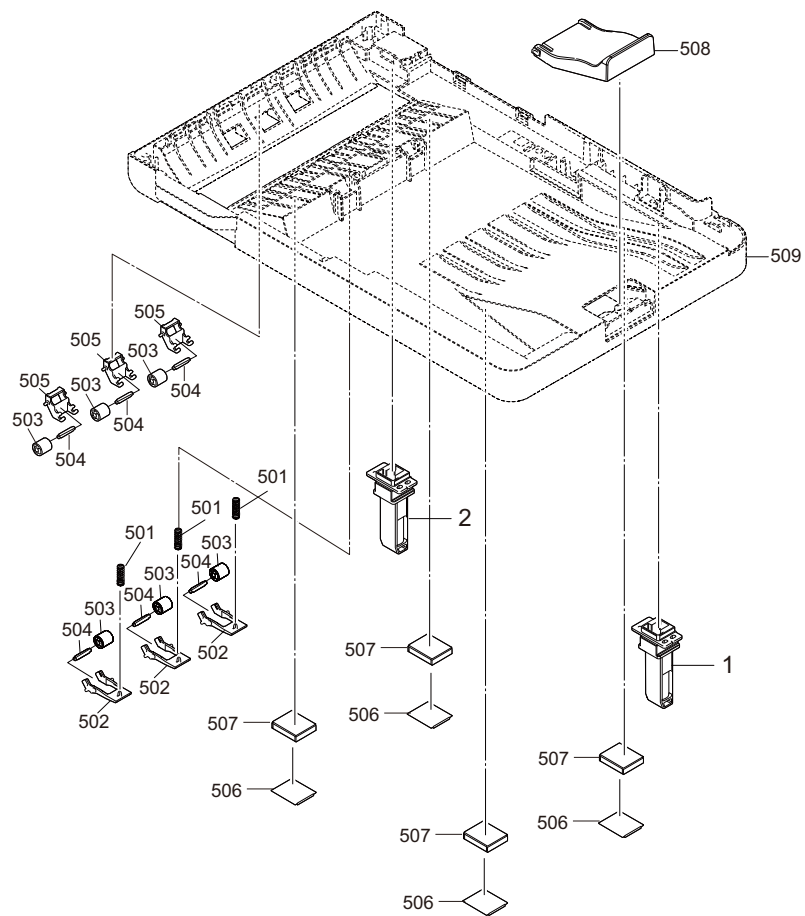


FIG. 16 DP Frames (55ppm(A4),57ppm(Letter)/60ppm(A4),62ppm(Letter))

2TF/2TG/2V2/2V3/2TA/2TB

Ref. No. 番号	Part.No. 部品番号	Description 部品名称	Notes 備考	Revision 改訂	Quantity 個数			
					100 (日本)	120	230	240
1	303R302031	HINGE RIGHT				1	1	1
2	303R402032	HINGE LEFT				1	1	1

• Parts with a Ref.No. of 500 and above in the illustration indicate they are not selected for service parts.

• イラスト中で 500 番台の Ref 番号が付いている部品はサービスパーツに選定されていません。

FIG. 17 DP Table Assy (55ppm(A4),57ppm(Letter)/60ppm(A4),62ppm(Letter))

2TF/2TG/2V2/2V3/2TA/2TB

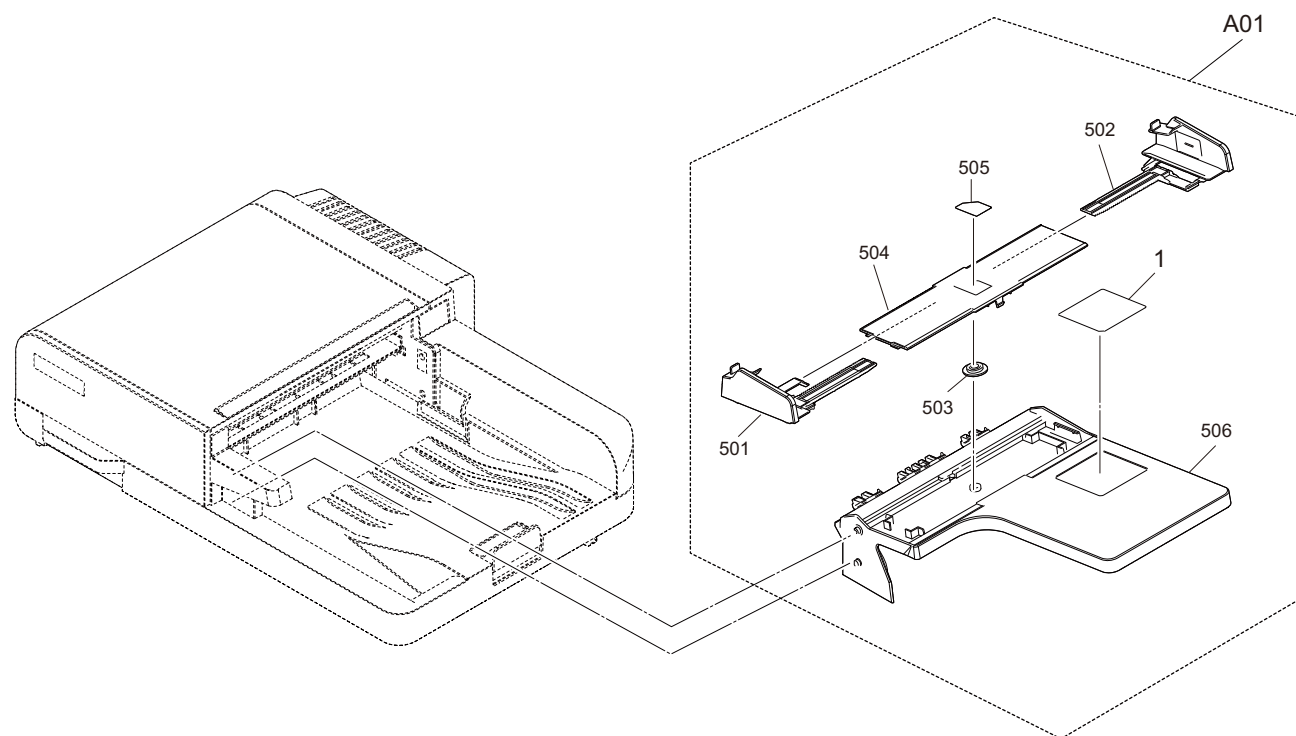


FIG. 17 DP Table Assy (55ppm(A4),57ppm(Letter)/60ppm(A4),62ppm(Letter))

2TF/2TG/2V2/2V3/2TA/2TB

Ref. No. 番号	Part.No. 部品番号	Description 部品名称	Notes 備考	Revision 改訂	Quantity 個数			
					100(日本)	120	230	240
A01 1	302TA94010 *302TA34040	PARTS TABLE MAIN ASSY SP LABEL CAUTION CIS				1 1	1 1	1 1

• Parts with a Ref.No. of 500 and above in the illustration indicate they are not selected for service parts.

• イラスト中で 500 番台の Ref 番号が付いている部品はサービスパーツに選定されていません。

FIG. 18 DP Paper Feed Section (55ppm(A4),57ppm(Letter)/60ppm(A4),62ppm(Letter))

2TF/2TG/2V2/2V3/2TA/2TB

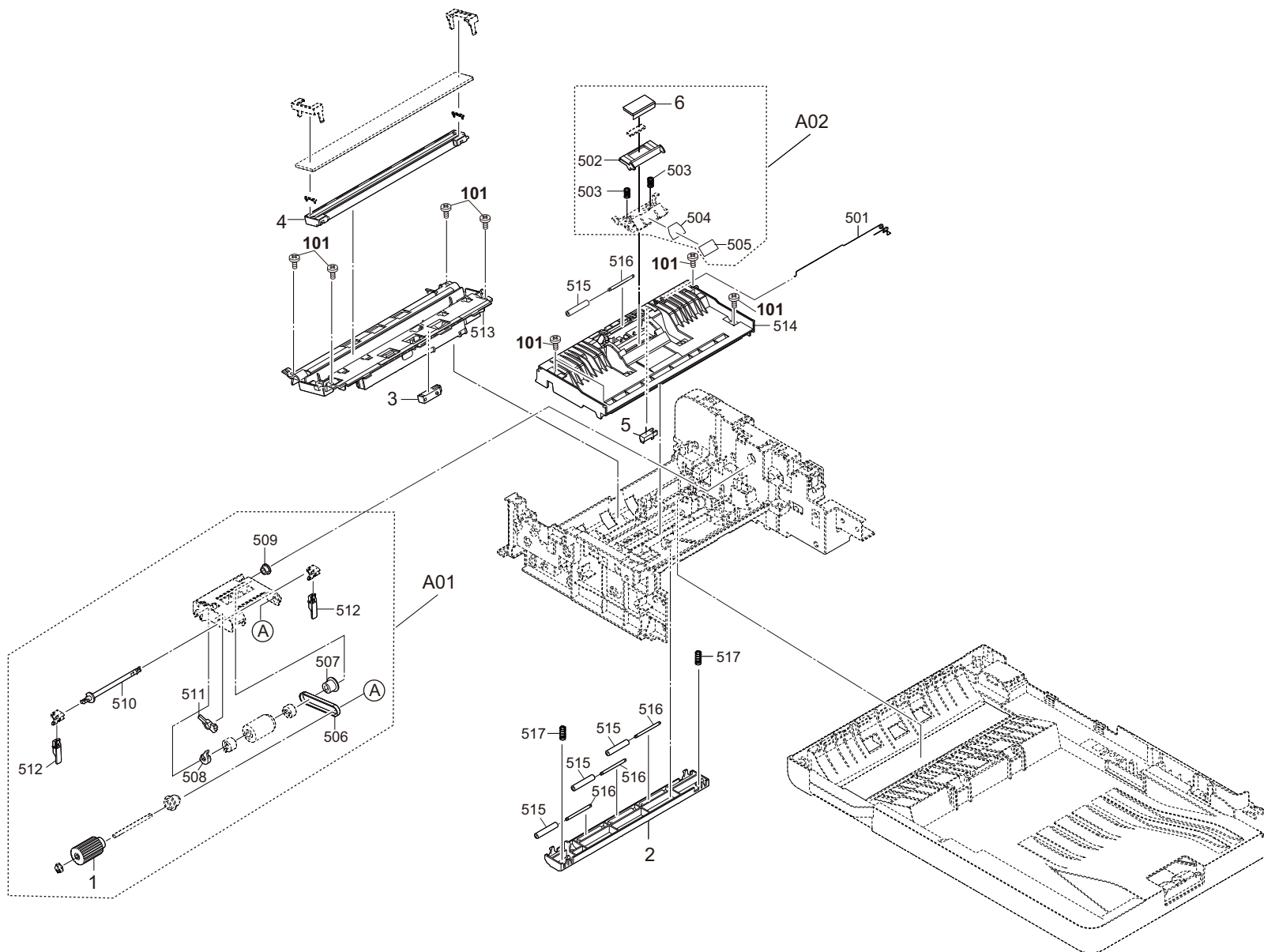


FIG. 18 DP Paper Feed Section (55ppm(A4),57ppm(Letter)/60ppm(A4),62ppm(Letter))

2TF/2TG/2V2/2V3/2TA/2TB-2

Ref. No. 番号	Part.No. 部品番号	Description 部品名称	Notes 備考	Revision 改訂	Quantity 個数			
					100(日本)	120	230	240
A01	303R494010	PARTS HOLDER PICUP ASSY SP		2:Others		1	1	1
1	*302R494420	PARTS PULLEY PICKUP ASSY SP				1	1	1
2	303R424220	GUIDE READING				1	1	1
3	303NW94040	PARTS SENSOR OPT. SP				1	1	1
4	303R494050	PARTS CIS SP				1	1	1
5	302K994580	PARTS SENSOR OPT. SP				1	1	1
A02	303R394030	PARTS HOLDER PAD ASSY SP		2:Others		1	1	1
6	*302LW07100	PAD SEPARATION				1	1	1
101	7BB200308H	+BIND T.T P SCREW 3X8						

• Parts with a Ref.No. of 500 and above in the illustration indicate they are not selected for service parts.

• イラスト中で 500 番台の Ref 番号が付いている部品はサービスパーツに選定されていません。

FIG. 19 DP Paper Conveying Section 1 (55ppm(A4),57ppm(Letter)/60ppm(A4),62ppm(Letter))

2TF/2TG/2V2/2V3/2TA/2TB

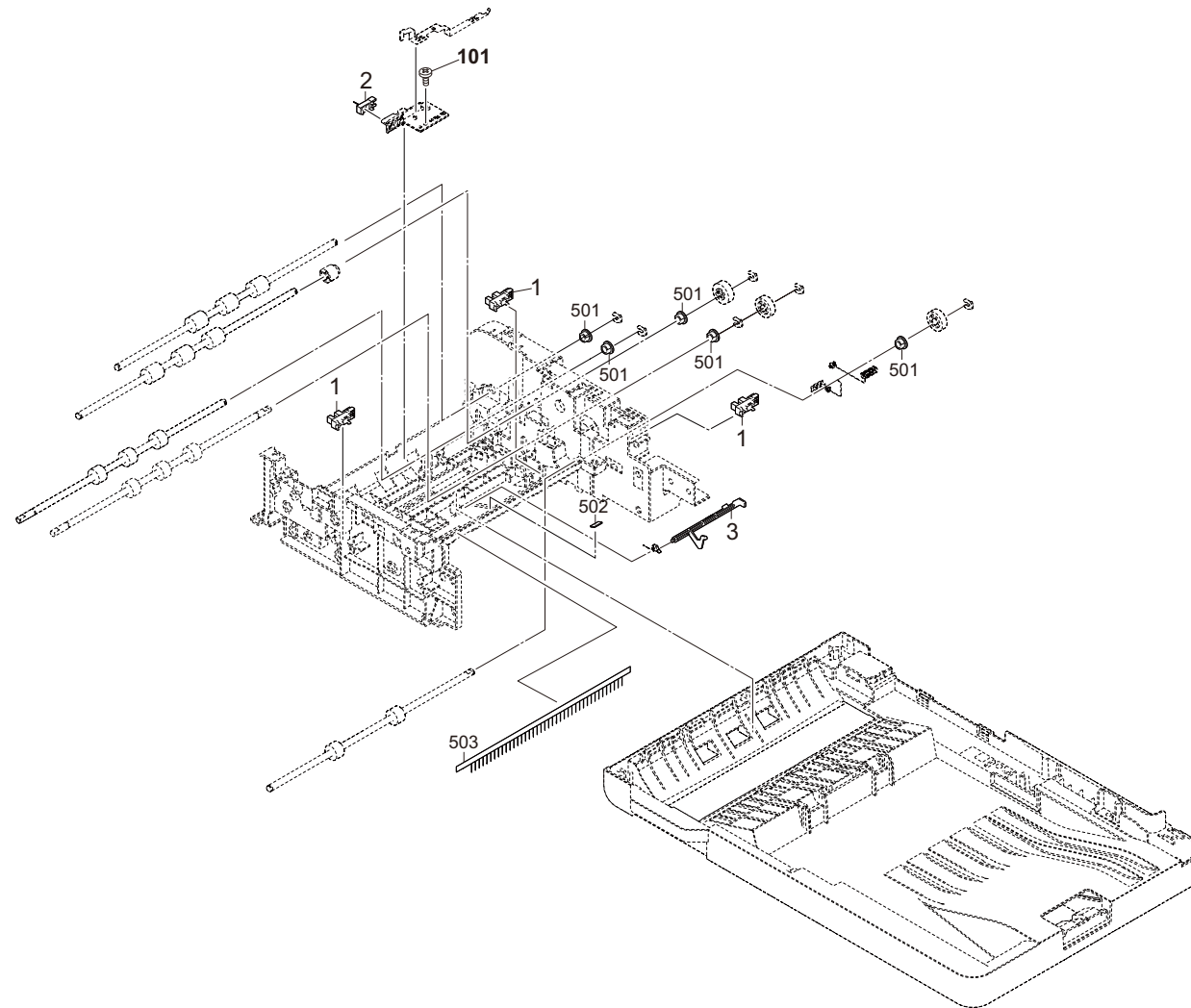


FIG. 20 DP Paper Conveying Section 2 (55ppm(A4),57ppm(Letter)/60ppm(A4),62ppm(Letter))

2TF/2TG/2V2/2V3/2TA/2TB

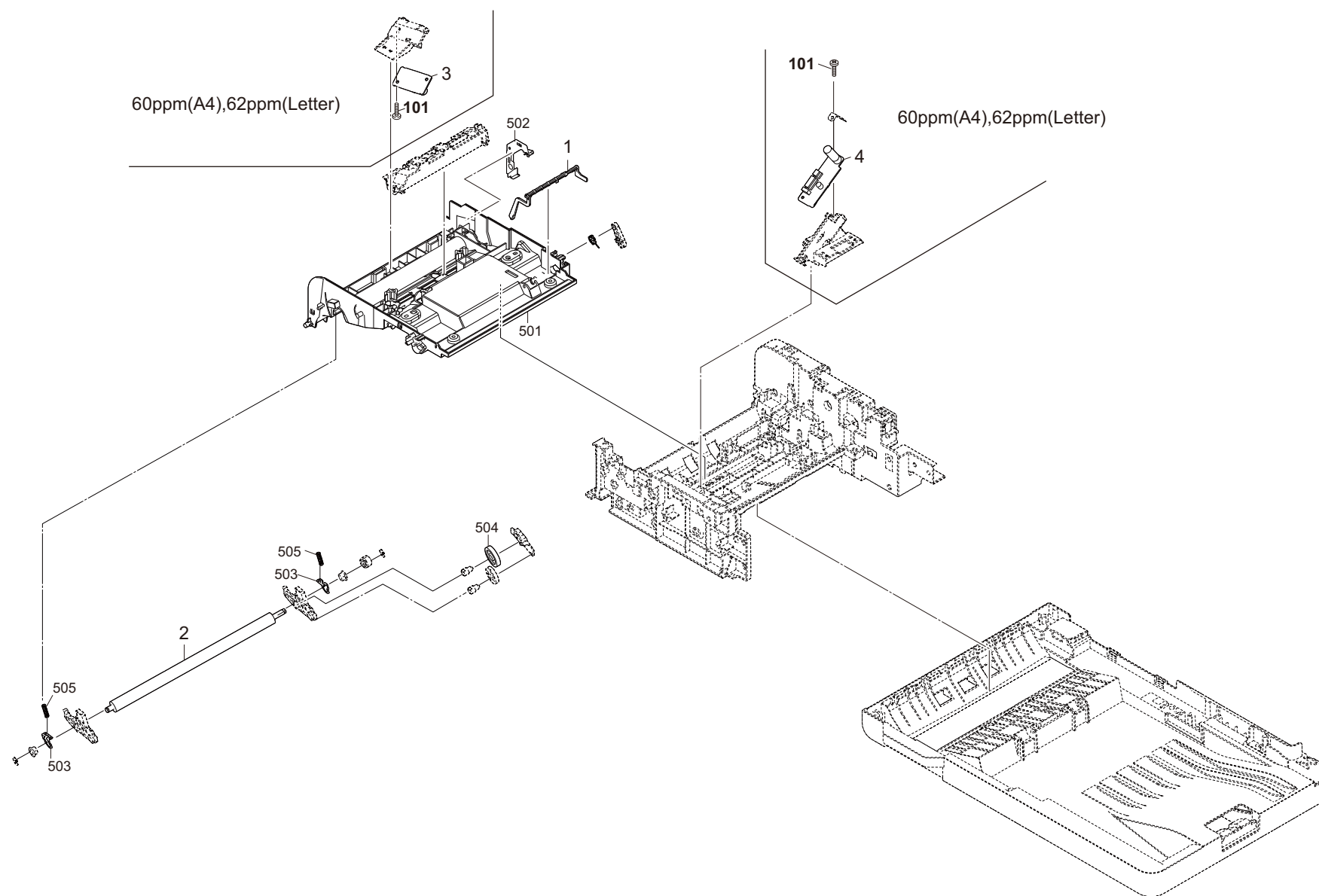


FIG. 20 DP Paper Conveying Section 2 (55ppm(A4),57ppm(Letter)/60ppm(A4),62ppm(Letter))

2TF/2TG/2V2/2V3/2TA/2TB

Ref. No. 番号	Part.No. 部品番号	Description 部品名称	Notes 備考	Revision 改訂	Quantity 個数			
					100(日本)	120	230	240
1	303R407100	ACTUATOR ORIGINAL				1	1	1
2	303R494060	PARTS ROLLER CIS SP				1	1	1
3	302TA94070	PARTS PWB ASSY TX SP	60ppm(A4),62ppm(Letter)			1	1	1
4	302TA94080	PARTS PWB ASSY RX SP	60ppm(A4),62ppm(Letter)			1	1	1
101	7BB200308H	+BIND T.T P SCREW 3X8						

• Parts with a Ref.No. of 500 and above in the illustration indicate they are not selected for service parts.

• イラスト中で 500 番台の Ref 番号が付いている部品はサービスパーツに選定されていません。

FIG. 21 DP Drive Section (55ppm(A4),57ppm(Letter)/60ppm(A4),62ppm(Letter))

2TF/2TG/2V2/2V3/2TA/2TB

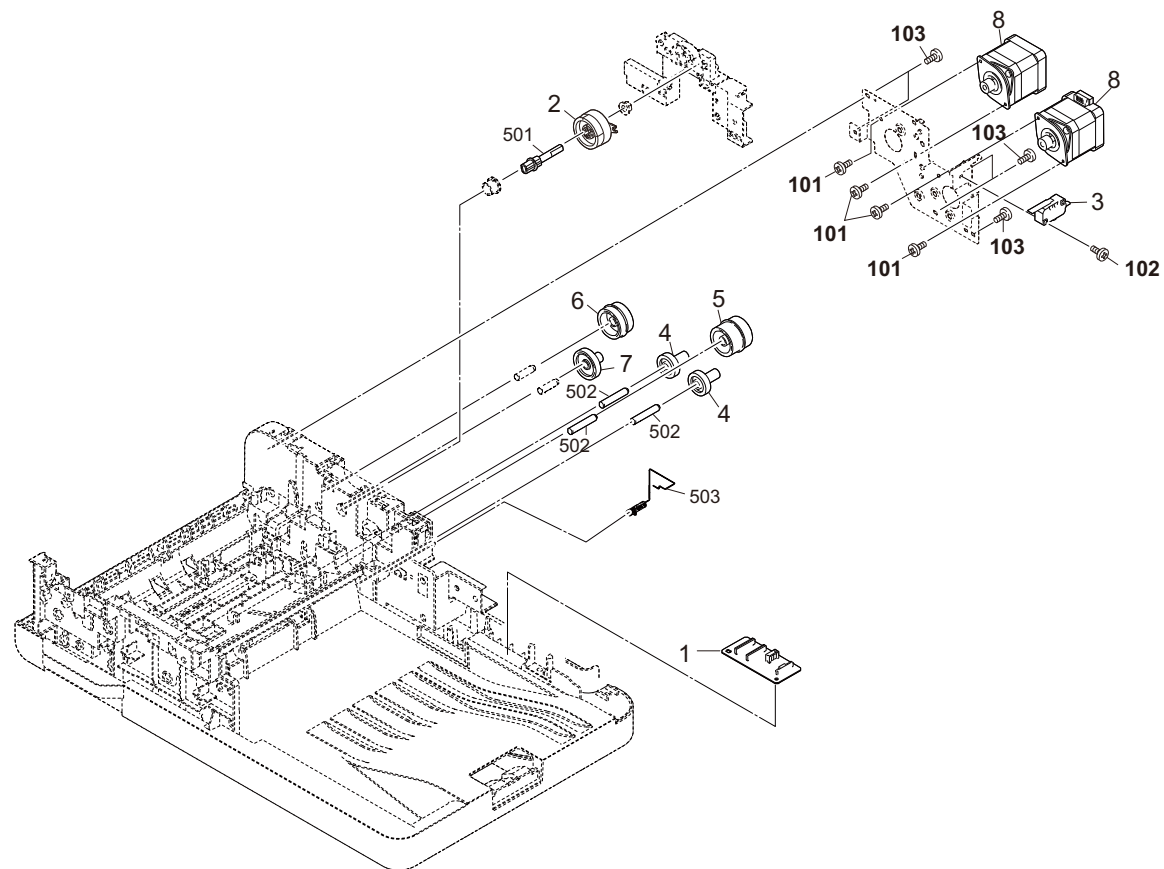


FIG. 21 DP Drive Section (55ppm(A4),57ppm(Letter)/60ppm(A4),62ppm(Letter))

2TF/2TG/2V2/2V3/2TA/2TB

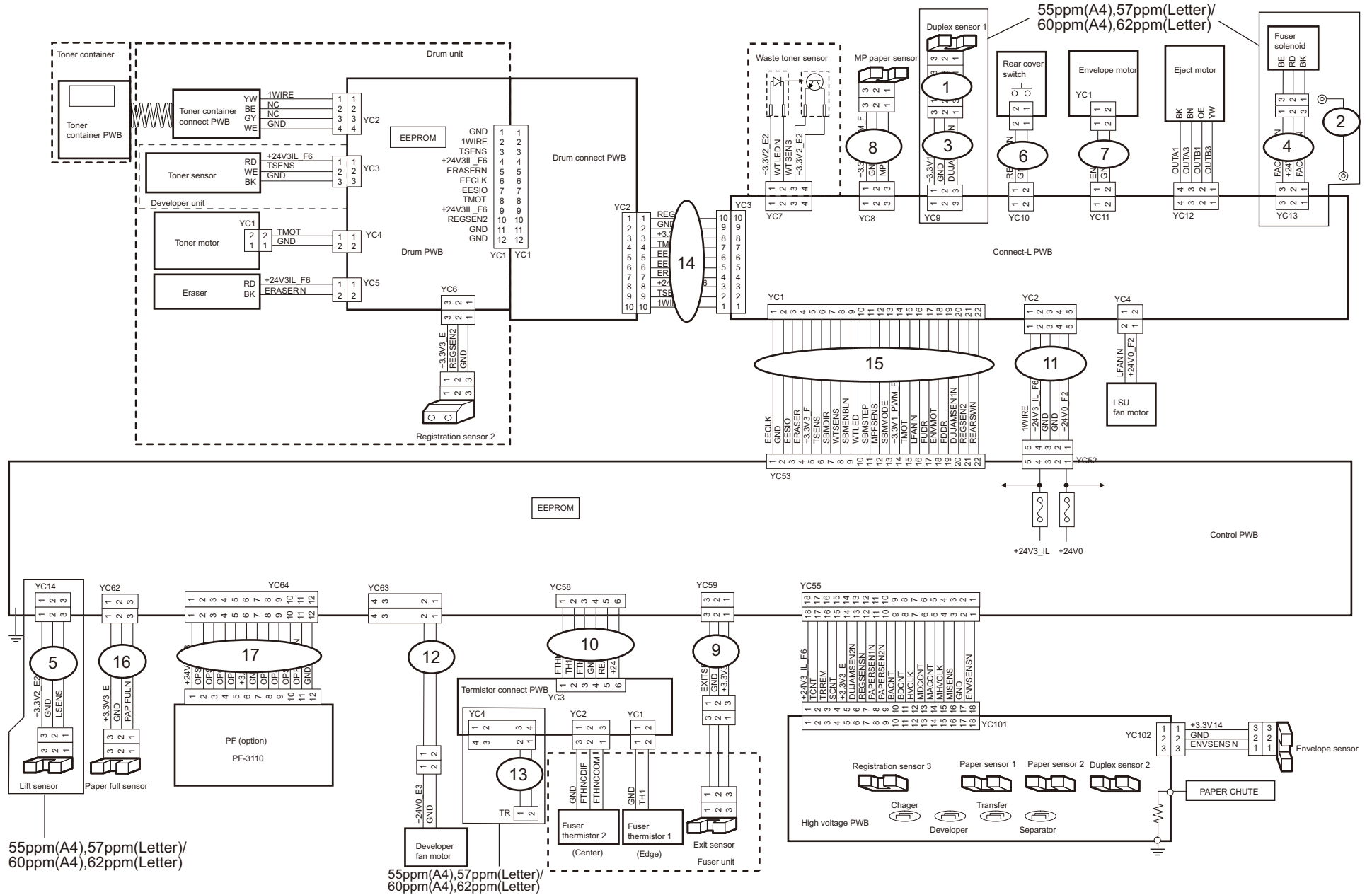
Ref. No. 番号	Part.No. 部品番号	Description 部品名称	Notes 備考	Revision 改訂	Quantity 個数			
					100(日本)	120	230	240
1	302V194070	PARTS PWB ASSY CIS CONNECT SP				1	1	1
2	302NR94010	PARTS CLUTCH 35 Z35R SP				1	1	1
3	2FB27160	INTER LOCK SWITCH				1	1	1
4	303LM31040	GEAR 25R				2	2	2
5	303R431200	GEAR CONVEYING Z54R Z32L				1	1	1
6	303R431050	GEAR FEED Z53R Z33R				1	1	1
7	303R431250	GEAR Z32L				1	1	1
8	303R494040	PARTS MOTOR PAPER FEED SP				2	2	2
101	7BB700308H	+BIND T.T S SCREW 3X8 SR						
102	7BB700316H	+BIND T.T S SCREW 3X16 SR						
103	7BB200308H	+BIND T.T P SCREW 3X8						

• Parts with a Ref.No. of 500 and above in the illustration indicate they are not selected for service parts.

• イラスト中で 500 番台の Ref 番号が付いている部品はサービスパーツに選定されていません。

FIG. 22 Wire Section 1

2TF/2TG/2V2/2V3/2TA/2TB-2



55ppm(A4),57ppm(Letter)/
60ppm(A4),62ppm(Letter)

55ppm(A4),57ppm(Letter)/
60ppm(A4),62ppm(Letter)

FIG. 22 Wire Section 1

2TF/2TG/2V2/2V3/2TA/2TB-2

Ref. No. 番号	Part.No. 部品番号	Description 部品名称	Notes 備考	Revision 改訂	Quantity 個数			
					100 (日本)	120	230	240
1	3V2LV46230	CONN.CORD ASSY S03675	55ppm(A4),57ppm(Letter)/60ppm(A4),62ppm(Letter)	2:Others		1	1	1
2	3V2LV46460	CONN.CORD ASSY S03786	55ppm(A4),57ppm(Letter)/60ppm(A4),62ppm(Letter)	2:Others		1	1	1
3	302LV46471	CONN.CORD ASSY S03794	55ppm(A4),57ppm(Letter)/60ppm(A4),62ppm(Letter)	2:Others		1	1	1
4	302LV46481	CONN.CORD ASSY S03795	55ppm(A4),57ppm(Letter)/60ppm(A4),62ppm(Letter)	2:Others		1	1	1
5	302LV46100	CONN.CORD ASSY S03662	55ppm(A4),57ppm(Letter)/60ppm(A4),62ppm(Letter)	2:Others		1	1	1
6	302LV46210	CONN.CORD ASSY S03673			1	1	1	1
7	302LV46220	CONN.CORD ASSY S03674			1	1	1	1
8	302LV46450	CONN.CORD ASSY S03687			1	1	1	1
9	302TA46130	CONN.CORD ASSY 03MCT-03CT			1	1	1	1
10	302NM46090	CONN.CORD ASSY S03849 CONT-TH FFC			1	1	1	1
11	302TA46080	CONN.CORD ASSY CONT-CONN L			1	1	1	1
12	302TA46330	CONN.CORD ASSY DLP-CENTER FAN2			1	1	1	1
13	302T646110	CONN.CORD ASSY FAN	55ppm(A4),57ppm(Letter)/60ppm(A4),62ppm(Letter)	2:Others		1	1	1
14	302T646020	CONN.CORD ASSY DRUM CONNECT-L			1	1	1	1
15	302NM46050	CONN.CORD ASSY S03861 CONT-CONN L FFC			1	1	1	1
16	3V2NM46070	CONN.CORD ASSY S03827 CONT-FULL PI			1	1	1	1
17	3V2NM46080	CONN.CORD ASSY S03819 CONT-PF			1	1	1	1

• Parts with a Ref.No. of 500 and above in the illustration indicate they are not selected for service parts.

• イラスト中で 500 番台の Ref 番号が付いている部品はサービスパーツに選定されていません。

FIG. 23 Wire Section 2

2TF/2TG/2V2/2V3/2TA/2TB-2

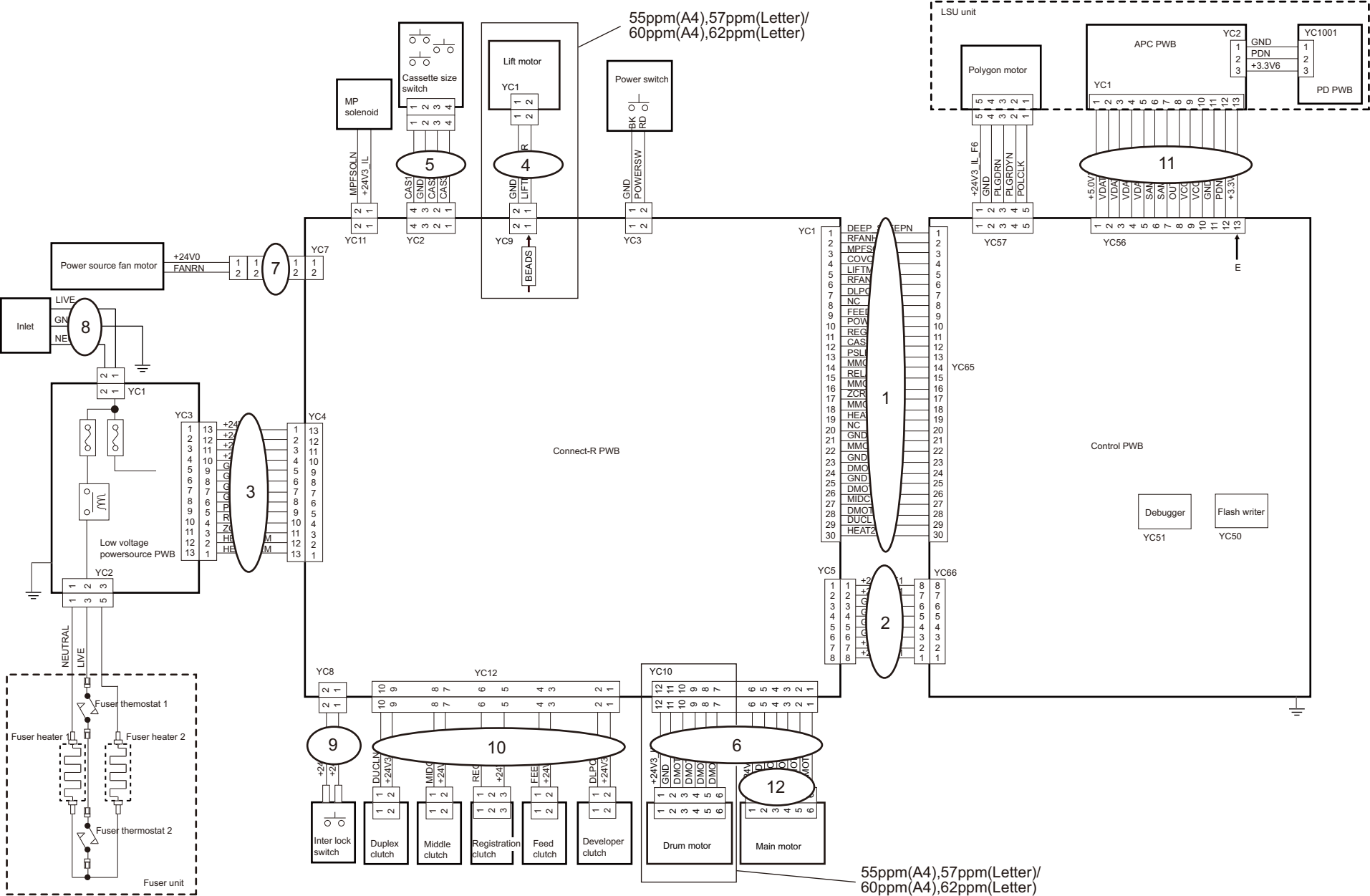


FIG. 23 Wire Section 2

2TF/2TG/2V2/2V3/2TA/2TB-2

Ref. No. 番号	Part.No. 部品番号	Description 部品名称	Notes 備考	Revision 改訂	Quantity 個数			
					100 (日本)	120	230	240
1	302NM46010	CONN.CORD ASSY S03833 CONT-CONN R FFC			1	1	1	1
2	3V2NM46020	CONN.CORD ASSY S03834 CONT-CONN R WIRE			1	1	1	1
3	302LV46020	CONN.CORD ASSY S03654			1	1	1	1
4	302LV46050	CONN.CORD ASSY S03657	55ppm(A4),57ppm(Letter)/60ppm(A4),62ppm(Letter)	2:Others	1	1	1	1
5	302LV46060	CONN.CORD ASSY S03658			1	1	1	1
6	302LV46090	CONN.CORD ASSY S03661	55ppm(A4),57ppm(Letter)/60ppm(A4),62ppm(Letter)	2:Others	1	1	1	1
7	302LV46510	CONN.CORD ASSY S03806			1	1	1	1
8	302TP46050	CONN.CORD ASSY INLET			1	1	1	1
9	3V2NM46280	CONN.CORD ASSY S03867 INTERLOCK			1	1	1	1
10	3V2P746180	WIRE CLUTCH			1	1	1	1
11	302NM46041	CONN.CORD ASSY S03860 CONT-APC FFC			1	1	1	1
12	302L246020	CONN.CORD ASSY S03686	45ppm(A4),47ppm(Letter)(A)/45ppm(A4),47ppm(Letter)(AF)/ 45ppm(A4),47ppm(Letter)(B)/45ppm(A4),47ppm(Letter)(BF)	2:Add	1	1	1	1

• Parts with a Ref.No. of 500 and above in the illustration indicate they are not selected for service parts.

• イラスト中で 500 番台の Ref 番号が付いている部品はサービスパーツに選定されていません。

FIG. 24 Wire Section 3 (45ppm(A4),47ppm(Letter)(A)/45ppm(A4),47ppm(Letter)(AF))

2TF/2TG/2V2/2V3/2TA/2TB-2

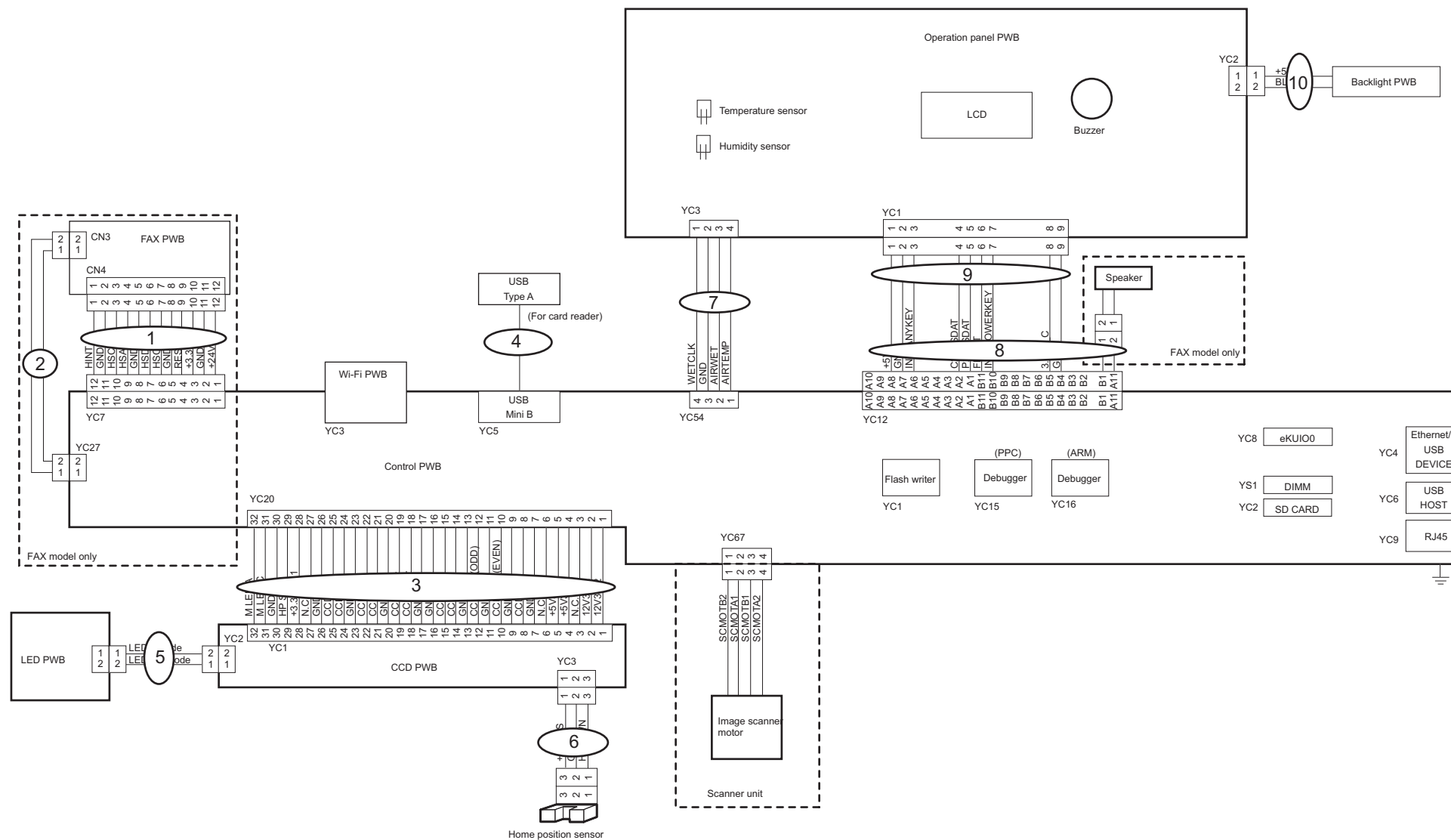


FIG. 24 Wire Section 3 (45ppm(A4),47ppm(Letter)(A)/45ppm(A4),47ppm(Letter)(AF))

2TF/2TG/2V2/2V3/2TA/2TB-2

Ref. No. 番号	Part.No. 部品番号	Description 部品名称	Notes 備考	Revision 改訂	Quantity 個数			
					100 (日本)	120	230	240
1	302TA46070	CONN.CORD ASSY CONT-FAX	45ppm(A4),47ppm(Letter)(AF)	2:Add			1	1
2	302TA46200	CONN.CORD ASSY SPEAKER	45ppm(A4),47ppm(Letter)(AF)	2:Add			1	1
3	302NM46121	CONN.CORD ASSY S03832 CONT-CCD FFC		2:Add			1	1
4	302TG46060	CONN.CORD ASSY USB BASIC HOST		2:Add			1	1
5	3V2NM46130	CONN.CORD ASSY S03840 CCD-LED		2:Add			1	1
6	3V2NM46140	CONN.CORD ASSY S03841 CCD-HP		2:Add			1	1
7	302TG46070	CONN.CORD ASSY FFC PANEL SENS		2:Add			1	1
8	302TG46010	CONN.CORD ASSY BASIC SIG	45ppm(A4),47ppm(Letter)(AF)	2:Add			1	1
9	302TF46010	CONN.CORD ASSY BASIC SIG 3IN1	45ppm(A4),47ppm(Letter)(A)	2:Add			1	
10	3V2LV46410	CONN.CORD ASSY S03736		2:Add			1	1

• Parts with a Ref.No. of 500 and above in the illustration indicate they are not selected for service parts.

• イラスト中で 500 番台の Ref 番号が付いている部品はサービスパーツに選定されていません。

FIG. 25 Wire Section 3 (45ppm(A4),47ppm(Letter)(B)/45ppm(A4),47ppm(Letter)(BF)/55ppm(A4),57ppm(Letter)/60ppm(A4),62ppm(Letter))

2TF/2TG/2V2/2V3/2TA/2TB-2

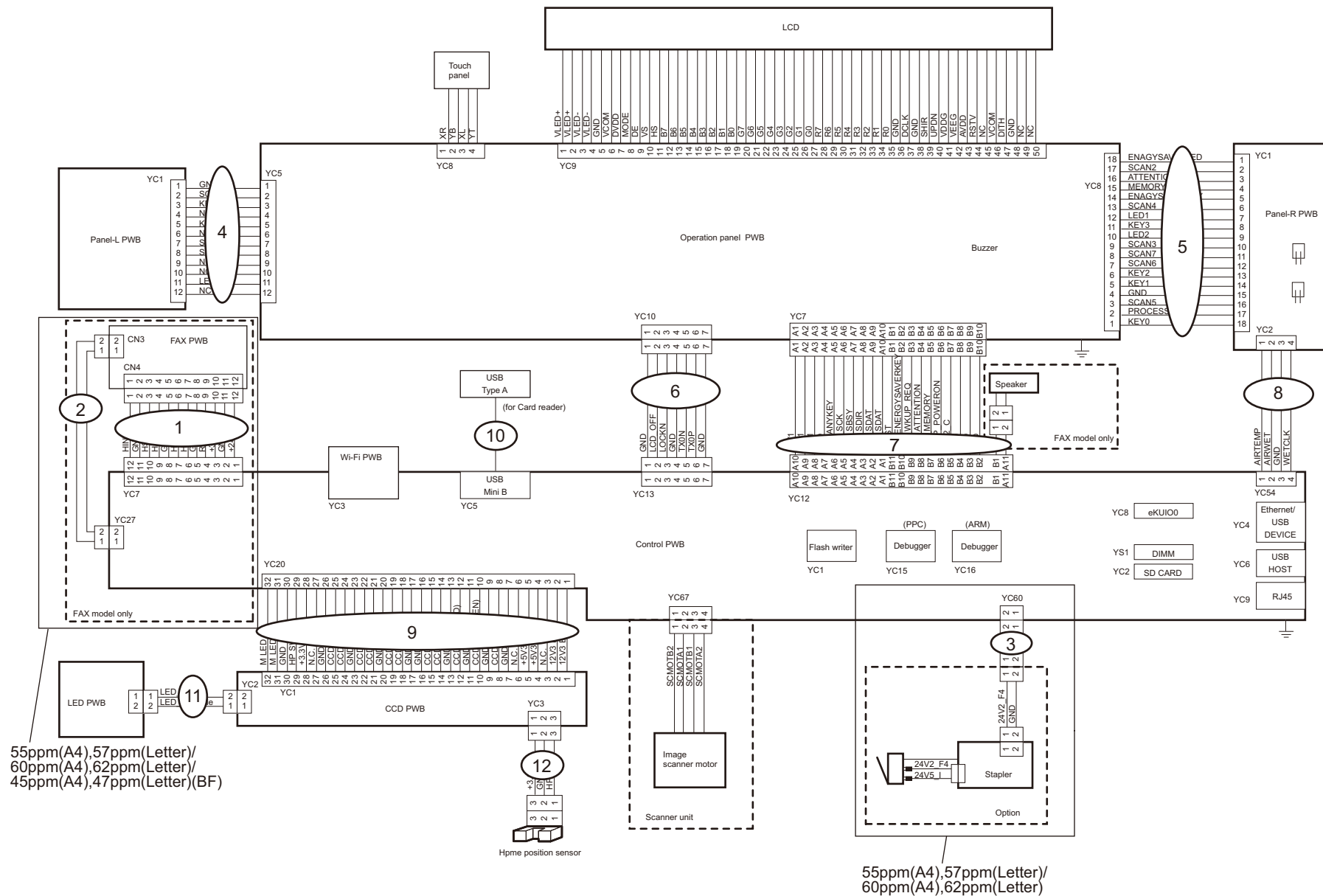


FIG. 25 Wire Section 3 (45ppm(A4),47ppm(Letter)(B)/45ppm(A4),47ppm(Letter)(BF)/
55ppm(A4),57ppm(Letter)/60ppm(A4),62ppm(Letter))

2TF/2TG/2V2/2V3/2TA/2TB-2

Ref. No. 番号	Part.No. 部品番号	Description 部 品 名 称	Notes 備 考	Revision 改 訂	Quantity 個 数			
					100 (日本)	120	230	240
1	302TA46070	CONN.CORD ASSY CONT-FAX	45ppm(A4),47ppm(Letter)(BF)/55ppm(A4),57ppm(Letter)/ 60ppm(A4),62ppm(Letter)	2:Others	1	1	1	1
2	302TA46200	CONN.CORD ASSY SPEAKER	45ppm(A4),47ppm(Letter)(BF)/55ppm(A4),57ppm(Letter)/ 60ppm(A4),62ppm(Letter)	2:Others	1	1	1	1
3	302TA46120	CONN.CORD ASSY STAPLER	55ppm(A4),57ppm(Letter)/60ppm(A4),62ppm(Letter)	2:Others		1	1	1
4	302NM46240	CONN.CORD ASSY S03835 KEY L FFC			1	1	1	1
5	302NM46250	CONN.CORD ASSY S03836 KEY R FFC			1	1	1	1
6	302TA46040	CONN.CORD ASSY HYPAS DATA			1	1	1	1
7	302TA46060	CONN.CORD ASSY HYPAS SIG	45ppm(A4),47ppm(Letter)(BF)/55ppm(A4),57ppm(Letter)/ 60ppm(A4),62ppm(Letter)	2:Others	1	1	1	1
7	302V246010	CONN.CORD ASSY HYPAS SIG 3IN1	45ppm(A4),47ppm(Letter)(B)	2:Add		1	1	1
8	302TA46320	CONN.CORD ASSY FFC PANEL SENS			1	1	1	1
9	302TA46210	CONN.CORD ASSY FFC CONT-CCD			1	1	1	1
10	302TA46300	CONN.CORD ASSY USB HYPAS HOST			1	1	1	1
11	3V2NM46130	CONN.CORD ASSY S03840 CCD-LED			1	1	1	1
12	3V2NM46140	CONN.CORD ASSY S03841 CCD-HP			1	1	1	1

• Parts with a Ref.No. of 500 and above in the illustration indicate they are not selected for service parts.

• イラスト中で 500 番台の Ref 番号が付いている部品はサービスパーツに
選定されていません。

FIG. 26 Wire Section 4 (45ppm(A4),47ppm(Letter)(A)/45ppm(A4),47ppm(Letter)(AF)/45ppm(A4),47ppm(Letter)(B)/45ppm(A4),47ppm(Letter)(BF))

2TF/2TG/2V2/2V3/2TA/2TB-2

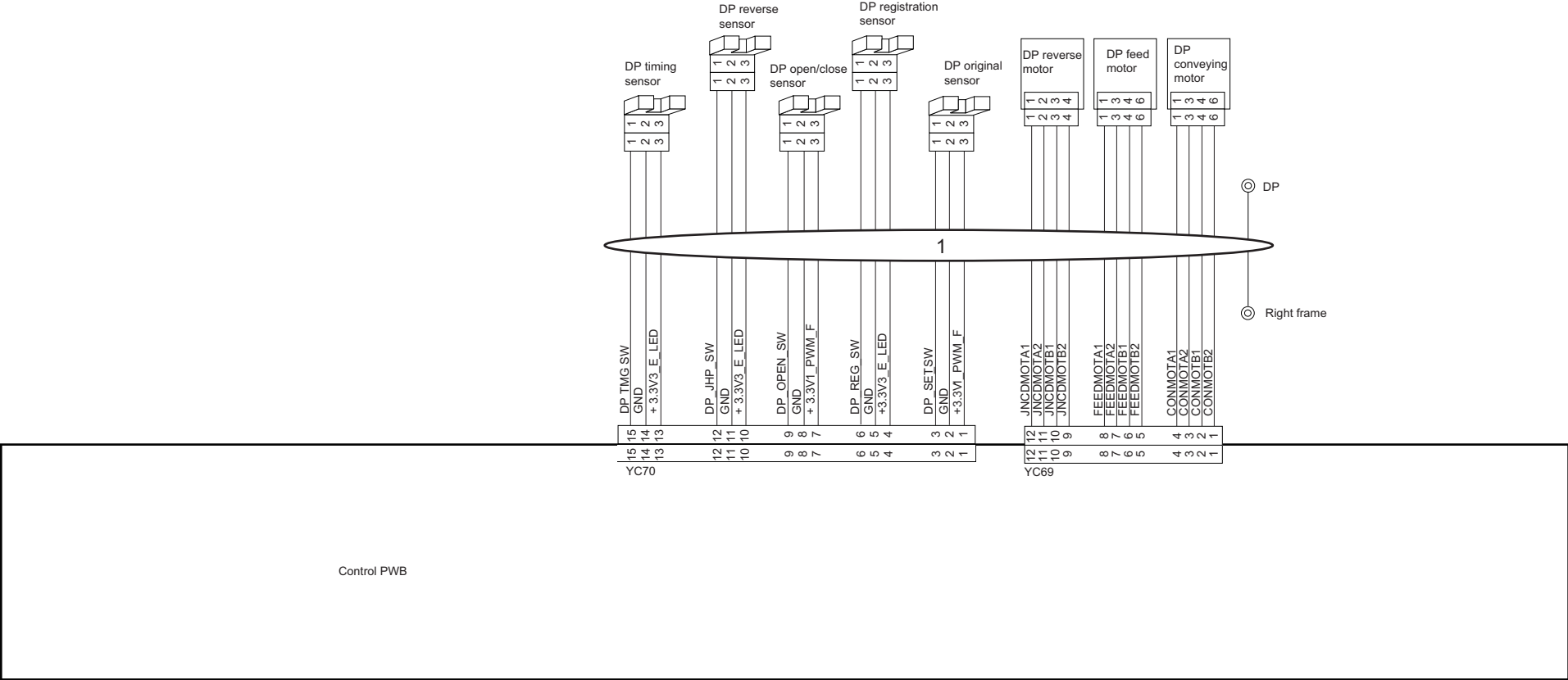


FIG. 27 Wire Section 4 (55ppm(A4),57ppm(Letter)/60ppm(A4),62ppm(Letter))

2TF/2TG/2V2/2V3/2TA/2TB

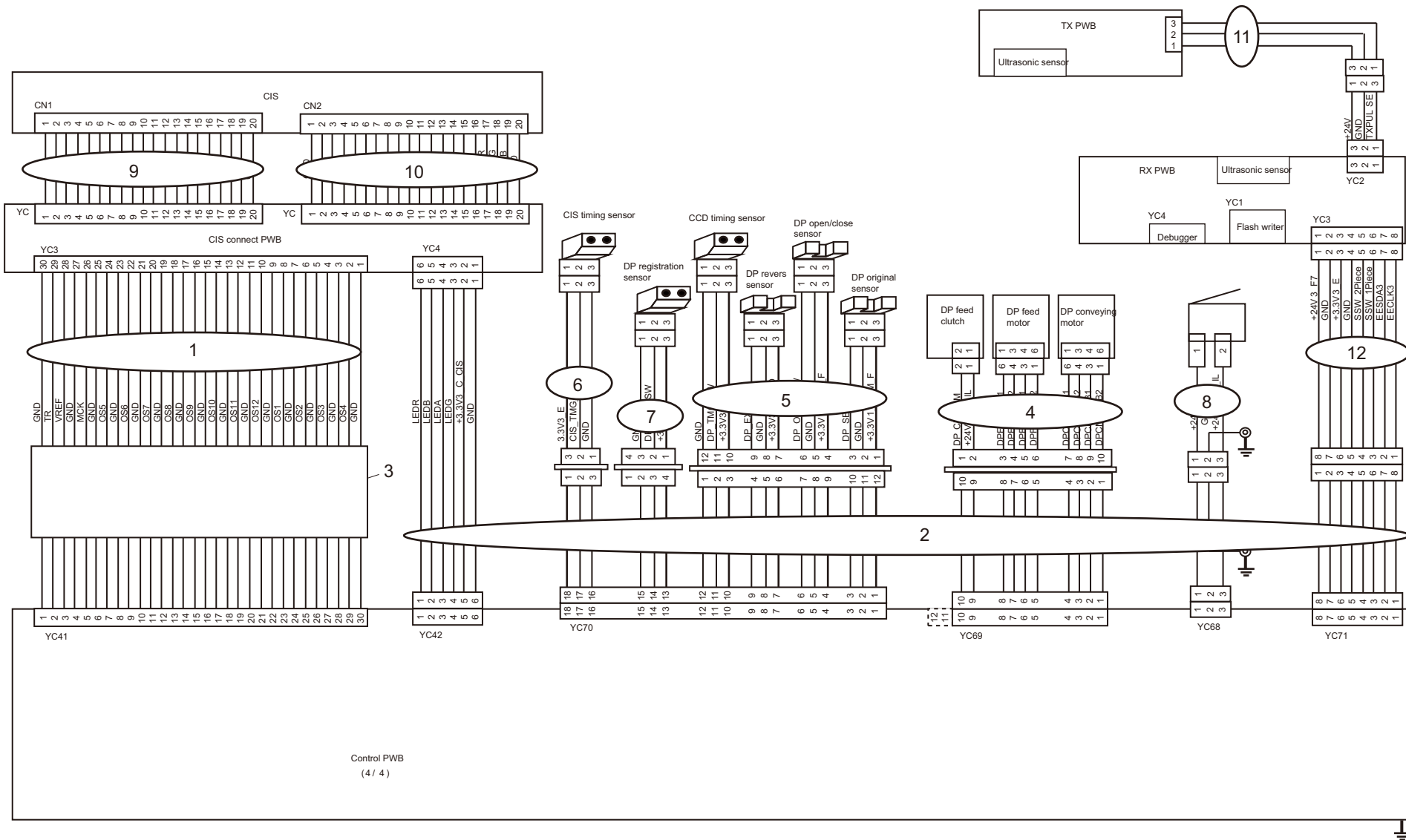
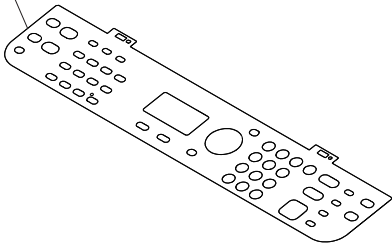


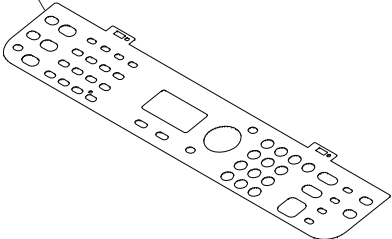
FIG. 28 Accessories (45ppm(A4),47ppm(Letter)(A)/45ppm(A4),47ppm(Letter)(AF)/
45ppm(A4),47ppm(Letter)(B)/45ppm(A4),47ppm(Letter)(BF))

2TF/2TG/2V2/2V3/2TA/2TB-2

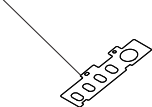
1,2,3,4,5,6,7



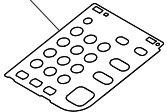
8,9,10,11,12,13,14



15,16,17,18,19,20,21,22,23,24,25,26,27,28,29,30,31,32,33,34



35,36,37,38,39,40,41,42,43,44,45,46,47,48,49,50,51,52,53,54



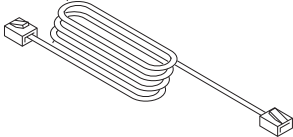
55



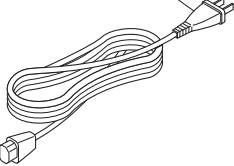
56



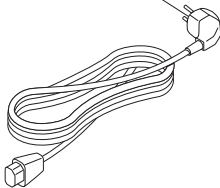
57



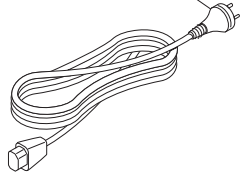
58



59



60



61

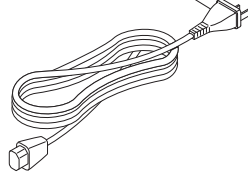


FIG. 28 Accessories (45ppm(A4),47ppm(Letter)(A)/45ppm(A4),47ppm(Letter)(AF)/
45ppm(A4),47ppm(Letter)(B)/45ppm(A4),47ppm(Letter)(BF))

2TF/2TG/2V2/2V3/2TA/2TB-2

Ref. No. 番号	Part.No. 部品番号	Description 部品名称	Notes 備考	Revision 改訂	Quantity 個数			
					100 (日本)	120	230	240
1	302TF05020	LABEL OPERATION GER	45ppm(A4),47ppm(Letter)(A)	2:Add			1	
2	302TF05030	LABEL OPERATION FRA	45ppm(A4),47ppm(Letter)(A)	2:Add			1	
3	302TF05040	LABEL OPERATION ITA	45ppm(A4),47ppm(Letter)(A)	2:Add			1	
4	302TF05050	LABEL OPERATION SPA	45ppm(A4),47ppm(Letter)(A)	2:Add			1	
5	302TF05060	LABEL OPERATION PTB	45ppm(A4),47ppm(Letter)(A)	2:Add			1	
6	302TF05070	LABEL OPERATION DUT	45ppm(A4),47ppm(Letter)(A)	2:Add			1	
7	302TF05080	LABEL OPERATION RUS	45ppm(A4),47ppm(Letter)(A)	2:Add			1	
8	302TG05100	LABEL OPERATION GER	45ppm(A4),47ppm(Letter)(AF)	2:Add			1	
9	302TG05110	LABEL OPERATION FRA	45ppm(A4),47ppm(Letter)(AF)	2:Add			1	
10	302TG05120	LABEL OPERATION ITA	45ppm(A4),47ppm(Letter)(AF)	2:Add			1	
11	302TG05130	LABEL OPERATION SPA	45ppm(A4),47ppm(Letter)(AF)	2:Add			1	
12	302TG05140	LABEL OPERATION PTB	45ppm(A4),47ppm(Letter)(AF)	2:Add			1	
13	302TG05150	LABEL OPERATION DUT	45ppm(A4),47ppm(Letter)(AF)	2:Add			1	
14	302TG05160	LABEL OPERATION RUS	45ppm(A4),47ppm(Letter)(AF)	2:Add			1	
15	302V205030	LABEL OPERATION LEFT GER	45ppm(A4),47ppm(Letter)(B)	2:Add			1	
16	302V205050	LABEL OPERATION LEFT ITA	45ppm(A4),47ppm(Letter)(B)	2:Add			1	
17	302V205070	LABEL OPERATION LEFT DUT	45ppm(A4),47ppm(Letter)(B)	2:Add			1	
18	302V205090	LABEL OPERATION LEFT RUS	45ppm(A4),47ppm(Letter)(B)	2:Add			1	
19	302V205110	LABEL OPERATION LEFT FRA	45ppm(A4),47ppm(Letter)(B)	2:Add			1	
20	302V205130	LABEL OPERATION LEFT PTB	45ppm(A4),47ppm(Letter)(B)	2:Add			1	
21	302V205150	LABEL OPERATION LEFT SPA	45ppm(A4),47ppm(Letter)(B)	2:Add			1	
22	302TA05180	LABEL OPERATION LEFT GER	45ppm(A4),47ppm(Letter)(BF)	2:Add			1	
23	302TA05200	LABEL OPERATION LEFT ITA	45ppm(A4),47ppm(Letter)(BF)	2:Add			1	
24	302TA05220	LABEL OPERATION LEFT DUT	45ppm(A4),47ppm(Letter)(BF)	2:Add			1	
25	302TA05240	LABEL OPERATION LEFT RUS	45ppm(A4),47ppm(Letter)(BF)	2:Add			1	
26	302TA05260	LABEL OPERATION LEFT FRA	45ppm(A4),47ppm(Letter)(BF)	2:Add			1	
27	302TA05280	LABEL OPERATION LEFT PTB	45ppm(A4),47ppm(Letter)(BF)	2:Add			1	
28	302TA05300	LABEL OPERATION LEFT SPA	45ppm(A4),47ppm(Letter)(BF)	2:Add			1	
29	302V205110	LABEL OPERATION LEFT FRA	45ppm(A4),47ppm(Letter)(B)	2:Add		1		
30	302V205130	LABEL OPERATION LEFT PTB	45ppm(A4),47ppm(Letter)(B)	2:Add		1		
31	302V205150	LABEL OPERATION LEFT SPA	45ppm(A4),47ppm(Letter)(B)	2:Add		1		
32	302TA05260	LABEL OPERATION LEFT FRA	45ppm(A4),47ppm(Letter)(BF)	2:Add		1		
33	302TA05280	LABEL OPERATION LEFT PTB	45ppm(A4),47ppm(Letter)(BF)	2:Add		1		
34	302TA05300	LABEL OPERATION LEFT SPA	45ppm(A4),47ppm(Letter)(BF)	2:Add		1		
35	302V205040	LABEL OPERATION RIGHT GER	45ppm(A4),47ppm(Letter)(B)	2:Add			1	
36	302V205060	LABEL OPERATION RIGHT ITA	45ppm(A4),47ppm(Letter)(B)	2:Add			1	
37	302V205080	LABEL OPERATION RIGHT DUT	45ppm(A4),47ppm(Letter)(B)	2:Add			1	
38	302V205100	LABEL OPERATION RIGHT RUS	45ppm(A4),47ppm(Letter)(B)	2:Add			1	
39	302V205120	LABEL OPERATION RIGHT FRA	45ppm(A4),47ppm(Letter)(B)	2:Add			1	
40	302V205140	LABEL OPERATION RIGHT PTB	45ppm(A4),47ppm(Letter)(B)	2:Add			1	
41	302V205160	LABEL OPERATION RIGHT SPA	45ppm(A4),47ppm(Letter)(B)	2:Add			1	
42	302TA05190	LABEL OPERATION RIGHT GER	45ppm(A4),47ppm(Letter)(BF)	2:Add			1	
43	302TA05210	LABEL OPERATION RIGHT ITA	45ppm(A4),47ppm(Letter)(BF)	2:Add			1	
44	302TA05230	LABEL OPERATION RIGHT DUT	45ppm(A4),47ppm(Letter)(BF)	2:Add			1	
45	302TA05250	LABEL OPERATION RIGHT RUS	45ppm(A4),47ppm(Letter)(BF)	2:Add			1	
46	302TA05270	LABEL OPERATION RIGHT FRA	45ppm(A4),47ppm(Letter)(BF)	2:Add			1	
47	302TA05290	LABEL OPERATION RIGHT PTB	45ppm(A4),47ppm(Letter)(BF)	2:Add			1	
48	302TA05310	LABEL OPERATION RIGHT SPA	45ppm(A4),47ppm(Letter)(BF)	2:Add			1	

• Parts with a Ref.No. of 500 and above in the illustration indicate they are not selected for service parts.

• イラスト中で 500 番台の Ref 番号が付いている部品はサービスパーツに選定されていません。

FIG. 28 Accessories (45ppm(A4),47ppm(Letter)(A)/45ppm(A4),47ppm(Letter)(AF)/
45ppm(A4),47ppm(Letter)(B)/45ppm(A4),47ppm(Letter)(BF))

2TF/2TG/2V2/2V3/2TA/2TB-3

Ref. No. 番号	Part.No. 部品番号	Description 部品名称	Notes 備考	Revision 改訂	Quantity 個数			
					100(日本)	120	230	240
49	302V205120	LABEL OPERATION RIGHT FRA	45ppm(A4),47ppm(Letter)(B)	2:Add		1		
50	302V205140	LABEL OPERATION RIGHT PTB	45ppm(A4),47ppm(Letter)(B)	2:Add		1		
51	302V205160	LABEL OPERATION RIGHT SPA	45ppm(A4),47ppm(Letter)(B)	2:Add		1		
52	302TA05270	LABEL OPERATION RIGHT FRA	45ppm(A4),47ppm(Letter)(BF)	2:Add		1		
53	302TA05290	LABEL OPERATION RIGHT PTB	45ppm(A4),47ppm(Letter)(BF)	2:Add		1		
54	302TA05310	LABEL OPERATION RIGHT SPA	45ppm(A4),47ppm(Letter)(BF)	2:Add		1		
55	3V2NM34060	LABEL LANGUAGE SHEET A	45ppm(A4),47ppm(Letter)(B)/45ppm(A4),47ppm(Letter)(BF)	2:Add		1		
56	3V2NM34070	LABEL LANGUAGE SHEET E	45ppm(A4),47ppm(Letter)(A)/45ppm(A4),47ppm(Letter)(AF)/ 45ppm(A4),47ppm(Letter)(B)/45ppm(A4),47ppm(Letter)(BF)	2:Add			1	
57	303R246010	MODULAR CORD AUSTRALIA	45ppm(A4),47ppm(Letter)(AF)/45ppm(A4),47ppm(Letter)(BF)	2:Add				1
57	303HZ45010	MODULAR CORD	45ppm(A4),47ppm(Letter)(BF)	2:Add	1	1		
58	3019527401	POWER CORD(120)	45ppm(A4),47ppm(Letter)(B)	2:Add		1		
59	302FV94010	PARTS AC CORD EU SP	45ppm(A4),47ppm(Letter)(A)/45ppm(A4),47ppm(Letter)(AF)/ 45ppm(A4),47ppm(Letter)(B)/45ppm(A4),47ppm(Letter)(BF)	2:Add/3:Correction			1	
60	302FV45040	AC CORD ASSY	45ppm(A4),47ppm(Letter)(AF)/45ppm(A4),47ppm(Letter)(BF)	2:Add				1
61	7AAACCJP+12H009	AC CORD ASSY JP	45ppm(A4),47ppm(Letter)(BF)	2:Add	1			

• Parts with a Ref.No. of 500 and above in the illustration indicate they are not selected for service parts.

• イラスト中で 500 番台の Ref 番号が付いている部品はサービスパーツに選定されていません。

FIG. 29 Accessories (55ppm(A4),57ppm(Letter)/60ppm(A4),62ppm(Letter))

2TF/2TG/2V2/2V3/2TA/2TB-2

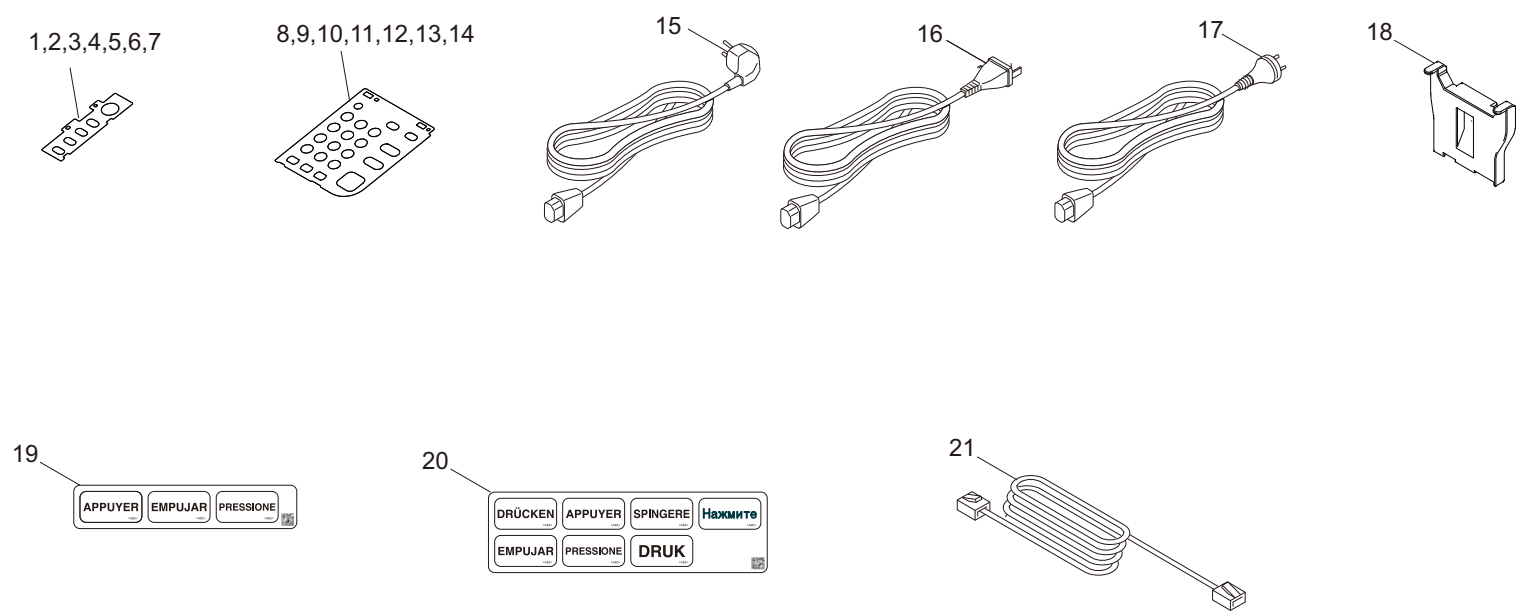


FIG. 29 Accessories (55ppm(A4),57ppm(Letter)/60ppm(A4),62ppm(Letter))

2TF/2TG/2V2/2V3/2TA/2TB-2

Ref. No. 番号	Part.No. 部品番号	Description 部品名称	Notes 備考	Revision 改訂	Quantity 個数			
					100(日本)	120	230	240
1	302TA05180	LABEL OPERATION LEFT GER					1	
2	302TA05200	LABEL OPERATION LEFT ITA					1	
3	302TA05220	LABEL OPERATION LEFT DUT					1	
4	302TA05240	LABEL OPERATION LEFT RUS					1	
5	302TA05260	LABEL OPERATION LEFT FRA				1	1	
6	302TA05280	LABEL OPERATION LEFT PTB				1	1	
7	302TA05300	LABEL OPERATION LEFT SPA				1	1	
8	302TA05190	LABEL OPERATION RIGHT GER					1	
9	302TA05210	LABEL OPERATION RIGHT ITA					1	
10	302TA05230	LABEL OPERATION RIGHT DUT					1	
11	302TA05250	LABEL OPERATION RIGHT RUS					1	
12	302TA05270	LABEL OPERATION RIGHT FRA				1	1	
13	302TA05290	LABEL OPERATION RIGHT PTB				1	1	
14	302TA05310	LABEL OPERATION RIGHT SPA				1	1	
15	302FV94010	PARTS AC CORD EU SP					1	
16	3019527401	POWER CORD(120)				1		
17	302FV45040	AC CORD ASSY		2:Others				1
18	302TP09050	CURSOR END STMT		2:Add		1		
19	3V2NM34060	LABEL LANGUAGE SHEET A		2:Add		1		
20	3V2NM34070	LABEL LANGUAGE SHEET E		2:Add			1	
21	303R246010	MODULAR CORD AUSTRALIA		2:Add				1
21	303HZ45010	MODULAR CORD		2:Add		1		

• Parts with a Ref.No. of 500 and above in the illustration indicate they are not selected for service parts.

• イラスト中で 500 番台の Ref 番号が付いている部品はサービスパーツに選定されていません。

FIG. 30 PT-320

2TF/2TG/2V2/2V3/2TA/2TB

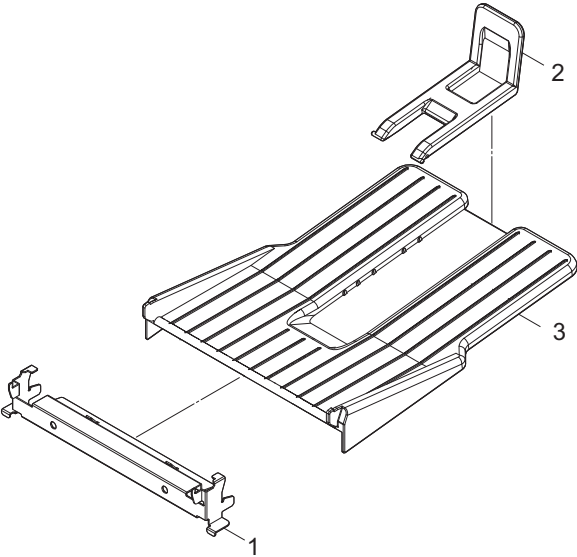


FIG. 31 Maintenance Kits (45ppm(A4),47ppm(Letter)(A)/45ppm(A4),47ppm(Letter)(AF)/
45ppm(A4),47ppm(Letter)(B)/45ppm(A4),47ppm(Letter)(BF))

2TF/2TG/2V2/2V3/2TA/2TB-2

Ref. No. 番号	Part.No. 部品番号	Description 部品名称	Notes 備考	Revision 改訂	Quantity 個数			
					100 (日本)	120	230	240
	1702TG8NL0	MK-3260/MAINTENANCE KIT	45ppm(A4),47ppm(Letter)(A)/45ppm(A4),47ppm(Letter)(AF)	2:Add			1	
	*302F909171	RETARD ROLLER ASSY		2:Add			1	
	*302LV94480	PARTS HOLDER RETARD B SET SP		2:Add			1	
	*302LV93081	DV-3100		2:Add			1	
	*302LV94270	PARTS HOLDER FEED ASSY SP		2:Add			1	
	*302LV94130	PARTS ROLLER TRANSFER SP		2:Add			1	
	*302LV24140	GEAR Z22R TC		2:Add			1	
	*302T993061	DK-3170(E)		2:Add			1	
	*302V393040	FK-3200		2:Add			1	
	1702V38AS0	MK-3264/MAINTENANCE KIT	45ppm(A4),47ppm(Letter)(AF)/45ppm(A4),47ppm(Letter)(BF)	2:Add				1
	*302F909171	RETARD ROLLER ASSY		2:Add				1
	*302LV94480	PARTS HOLDER RETARD B SET SP		2:Add				1
	*302LV93081	DV-3100		2:Add				1
	*302LV94270	PARTS HOLDER FEED ASSY SP		2:Add				1
	*302LV94130	PARTS ROLLER TRANSFER SP		2:Add				1
	*302LV24140	GEAR Z22R TC		2:Add				1
	*302T993091	DK-3174(AO)		2:Add				1
	*302V393040	FK-3200		2:Add				1
	1702V37US0	MK-3262/MAINTENANCE KIT	45ppm(A4),47ppm(Letter)(B)/45ppm(A4),47ppm(Letter)(BF)	2:Add		1		
	*302F909171	RETARD ROLLER ASSY		2:Add		1		
	*302LV94480	PARTS HOLDER RETARD B SET SP		2:Add		1		
	*302LV93081	DV-3100		2:Add		1		
	*302LV94270	PARTS HOLDER FEED ASSY SP		2:Add		1		
	*302LV94130	PARTS ROLLER TRANSFER SP		2:Add		1		
	*302LV24140	GEAR Z22R TC		2:Add		1		
	*302T993071	DK-3172(U)		2:Add		1		
	*302V393060	FK-3202		2:Add		1		
	1702V38NL0	MK-3060/MAINTENANCE KIT	45ppm(A4),47ppm(Letter)(B)/45ppm(A4),47ppm(Letter)(BF)	2:Add			1	
	*302F909171	RETARD ROLLER ASSY		2:Add			1	
	*302LV94480	PARTS HOLDER RETARD B SET SP		2:Add			1	
	*302LV93081	DV-3100		2:Add			1	
	*302LV94270	PARTS HOLDER FEED ASSY SP		2:Add			1	
	*302LV94130	PARTS ROLLER TRANSFER SP		2:Add			1	
	*302LV24140	GEAR Z22R TC		2:Add			1	
	*302V393020	DK-3180(E)		2:Add			1	
	*302V393040	FK-3200		2:Add			1	
	1702V39JP0	MK-3261/MAINTENANCE KIT	45ppm(A4),47ppm(Letter)(BF)	2:Add	1			
	*302F909171	RETARD ROLLER ASSY		2:Add	1			
	*302LV94480	PARTS HOLDER RETARD B SET SP		2:Add	1			
	*302LV93081	DV-3100		2:Add	1			
	*302LV94270	PARTS HOLDER FEED ASSY SP		2:Add	1			
	*302LV94130	PARTS ROLLER TRANSFER SP		2:Add	1			
	*302LV24140	GEAR Z22R TC		2:Add	1			
	*302T993081	DK-3171(J)		2:Add	1			
	*302V393050	FK-3201		2:Add	1			
	1702P60UN0	MK-3140	OPTION: DP	2:Add	1	1	1	1
	*302LW07100	PAD SEPARATION		2:Add	1	1	1	1
	*302R494430	PARTS PULLEY PAPER FEED ASSY SP		2:Add	1	1	1	1
	*302R494420	PARTS PULLEY PICKUP ASSY SP		2:Add	1	1	1	1

• Parts with a Ref.No. of 500 and above in the illustration indicate they are not selected for service parts.

• イラスト中で 500 番台の Ref 番号が付いている部品はサービスパーツに選定されていません。

FIG. 32 Maintenance Kits (55ppm(A4),57ppm(Letter)/60ppm(A4),62ppm(Letter))

2TF/2TG/2V2/2V3/2TA/2TB-2

Ref. No. 番号	Part.No. 部品番号	Description 部品名称	Notes 備考	Revision 改訂	Quantity 個数			
					100(日本)	120	230	240
	1702TA7US0	MK-3302/MAINTENANCE KIT	OPTION			1		
	*302F909171	RETARD ROLLER ASSY				1		
	*302LV94480	PARTS HOLDER RETARD B SET SP				1		
	*302LV94270	PARTS HOLDER FEED ASSY SP				1		
	*302LV94130	PARTS ROLLER TRANSFER SP				1		
	*302LV24140	GEAR Z22R TC				1		
	*302T693041	DK-3192(U)				1		
	*302LV93081	DV-3100				1		
	*302TA93050	FK-3302				1		
	1702TA8NL0	MK-3300/MAINTENANCE KIT	OPTION				1	
	*302F909171	RETARD ROLLER ASSY					1	
	*302LV94480	PARTS HOLDER RETARD B SET SP					1	
	*302LV94270	PARTS HOLDER FEED ASSY SP					1	
	*302LV94130	PARTS ROLLER TRANSFER SP					1	
	*302LV24140	GEAR Z22R TC					1	
	*302T693031	DK-3190(E)					1	
	*302LV93081	DV-3100					1	
	*302TA93040	FK-3300					1	
	1702TA8AS0	MK-3304/MAINTENANCE KIT	OPTION	2:Others				1
	*302F909171	RETARD ROLLER ASSY						1
	*302LV94480	PARTS HOLDER RETARD B SET SP						1
	*302LV94270	PARTS HOLDER FEED ASSY SP						1
	*302LV24140	GEAR Z22R TC						1
	*302LV94130	PARTS ROLLER TRANSFER SP						1
	*302T693061	DK-3194(AO)						1
	*302LV93081	DV-3100						1
	*302TA93040	FK-3300						1
	1703R40UN0	MK-5200/MAINTENANCE KIT	OPTION: DP			1	1	1
	*303R494010	PARTS HOLDER PICUP ASSY SP				1	1	1
	*303R394030	PARTS HOLDER PAD ASSY SP				1	1	1

• Parts with a Ref.No. of 500 and above in the illustration indicate they are not selected for service parts.

• イラスト中で 500 番台の Ref 番号が付いている部品はサービスパーツに選定されていません。

INDEX / 索引

2TF/2TG/2V2/2V3/2TA/2TB-3

Part.No. 部品番号	Description 部品名称	Fig.No.
1702P60UN0	MK-3140	13, 31
1702TA7US0	MK-3302/MAINTENANCE KIT	32
1702TA8AS0	MK-3304/MAINTENANCE KIT	32
1702TA8NL0	MK-3300/MAINTENANCE KIT	32
1702TG8NL0	MK-3260/MAINTENANCE KIT	31
1702V37US0	MK-3262/MAINTENANCE KIT	31
1702V38AS0	MK-3264/MAINTENANCE KIT	31
1702V38NL0	MK-3060/MAINTENANCE KIT	31
1702V39JP0	MK-3261/MAINTENANCE KIT	31
1703R40UN0	MK-5200/MAINTENANCE KIT	32
2C904550	CUT WASHER 5	10
2FB27160	INTER LOCK SWITCH	2, 21
3019527401	POWER CORD(120)	28, 29
302F906030	GEAR FEED Z26H	4
302F906230	PULLEY FEED ASSY	4
302F906280	GEAR FEED Z30H	4
302F908250	PAD SEPARATOR MPF	4
302F909171	RETARD ROLLER ASSY	3, 31, 32
302F909210	PAD BOTTOM	3
302F924190	BUSH TRANSFER R	4
302F939082	SCREW BOX	2
302FV45040	AC CORD ASSY	28, 29
302FV94010	PARTS AC CORD EU SP	28, 29
302FZ94420	PARTS,FAN COOLING CONVEYING SP	2
302GR44080	FAN LSU 60-25	2
302H702590	BUSH SCREW	4
302H917230	BELT ISU	9
302H917450	SLIDER ISU	9
302H994270	PARTS MOTOR ISU SP	9
302HN02611	FOOT	2
302HN06080	PULLEY PICKUP ASSY	4
302HN25180	GEAR Z34S INPUT	10
302HN31030	GEAR Z36L-Z20S	10
302HN31040	GEAR Z46S-Z13S	10
302HN31650	SPRING INPUT MPF	10
302HN44010	FAN MOTOR	2
302HS08260	ROLLER M/P ASSY	4
302HS31140	GEAR Z35R IDLE	4
302JD19140	BUSHING FAN	9
302K306460	BUSH 4	4
302K394201	PARTS MOTOR-BL W30 SP	10
302K914570	CUT WASHER 7	10
302K994580	PARTS SENSOR OPT. SP	18, 19
302KV44041	CLUTCH 50 Z35R	10
302KY94140	PARTS MOTOR ROTARY SP	13
302L224030	ACTUATOR REGIST	4
302L228030	GEAR Z21S EXIT	8
302L228041	GEAR Z66R Z34S	8
302L228090	ACTUATOR OVERFLOW	8
302L231030	PLATE DRIVE	10
302L231040	GEAR Z128R	10

Part.No. 部品番号	Description 部品名称	Fig.No.
302L231050	GEAR Z86R-Z36L	10
302L246020	CONN.CORD ASSY S03686	23
302L294030	PARTS HIGH VOLTAGE UNIT SP	4
302LV02050	GUIDE CASSETTE L	10
302LV02110	STOPPER PROCESS	5
302LV02200	STOPPER PROCESS L	5
302LV04100	COVER REAR UP	8
302LV08180	ACTUATOR MPF	4
302LV08201	SPRING ACTUATOR MPF	4
302LV08220	SHEET GUIDE TURN A	4
302LV09070	CURSOR LEFT	3
302LV09201	COVER LIFT GEAR	3
302LV09220	GEAR Z15S JOINT	3
302LV09241	GEAR Z48S LIFT	3
302LV09330	SPRING RETARD B	3
302LV09340	GUIDE RETARD C	3
302LV09351	CURSOR RIGHT B	3
302LV11240	GUIDE CONTAINER	2
302LV24100	ACTUATOR IMAGE	4
302LV24140	GEAR Z22R TC	4, 31, 32
302LV24150	GEAR Z22L REGIST LOW	4
302LV24160	GEAR Z19R-Z22R REGIST UP	4
302LV24220	SHEET REGIST	4
302LV24280	SPRING TRANSFER R	4
302LV24290	SPRING TRANSFER L	4
302LV24360	BUSH TRANSFER L	4
302LV24450	ACTUATOR ENVELOPE	4
302LV24520	BUSH 6 EW	4
302LV24760	PULLEY PA	4
302LV28031	GEAR Z66R-Z40S	8
302LV28040	GEAR Z17S	8
302LV28050	GEAR Z22S	8
302LV28090	GEAR Z20S	8
302LV28100	GEAR Z22S A	8
302LV28141	ACTUATOR OVERFLOW	8
302LV28191	GEAR Z22S B	8
302LV29090	ACTUATOR PE	4
302LV31010	PLATE DRIVE	10
302LV31050	GEAR Z119R	10
302LV31060	GEAR Z80R-Z36L	10
302LV31180	GEAR Z26L DLP CLUTCH	10
302LV31290	SPRING COUPLING DRUM	10
302LV31440	GEAR Z32L REG CL	10
302LV34210	LABEL LEVER A	1
302LV46020	CONN.CORD ASSY S03654	23
302LV46050	CONN.CORD ASSY S03657	23
302LV46060	CONN.CORD ASSY S03658	23
302LV46090	CONN.CORD ASSY S03661	23
302LV46100	CONN.CORD ASSY S03662	22
302LV46210	CONN.CORD ASSY S03673	22
302LV46220	CONN.CORD ASSY S03674	22

Part.No. 部品番号	Description 部品名称	Fig.No.
302LV46450	CONN.CORD ASSY S03687	22
302LV46471	CONN.CORD ASSY S03794	22
302LV46481	CONN.CORD ASSY S03795	22
302LV46510	CONN.CORD ASSY S03806	23
302LV93011	MC-3100	5
302LV93020	WT-3100	5
302LV93081	DV-3100	6, 31, 32
302LV94060	PARTS HIGH VOLTAGE UNIT SP	4
302LV94121	PARTS TONER FULL DETECT ASSY SP	5
302LV94130	PARTS ROLLER TRANSFER SP	4, 31, 32
302LV94161	PARTS CLUTCH 20-2W Z35R	10
302LV94170	PARTS ROLLER REGIST LOW SP	4
302LV94180	PARTS ROLLER REGIST UP SP	4
302LV94210	PARTS PWB ASSY SWITCH SP	2
302LV94220	PARTS PWB ASSY TH CONNECT SP	2
302LV94230	PARTS DC MOTOR ASSY SP	10
302LV94253	PARTS DRIVE FEED ASSY SP	10
302LV94261	PARTS GUIDE PAPER CHUTE SP	4
302LV94270	PARTS HOLDER FEED ASSY SP	4, 31, 32
302LV94330	PARTS GUIDE PAPER CHUTE SP JP	4
302LV94460	PARTS SHEET DRUM CUSHION SET SP	5
302LV94480	PARTS HOLDER RETARD B SET SP	3, 31, 32
302LV94530	PARTS ROLLER DU ASSY SP	4
302LW07100	PAD SEPARATION	18, 31
302M417180	PULLEY TENSION	9
302NM18021	HINGE LEFT	13
302NM18031	HINGE RIGHT	13
302NM24010	ROLLER MIDDLE ASSY	4
302NM46010	CONN.CORD ASSY S03833 CONT-CONN R FFC	23
302NM46041	CONN.CORD ASSY S03860 CONT-APC FFC	23
302NM46050	CONN.CORD ASSY S03861 CONT-CONN L FFC	22
302NM46090	CONN.CORD ASSY S03849 CONT-TH FFC	22
302NM46121	CONN.CORD ASSY S03832 CONT-CCD FFC	24
302NM46240	CONN.CORD ASSY S03835 KEY L FFC	25
302NM46250	CONN.CORD ASSY S03836 KEY R FFC	25
302NM94100	PARTS PWB ASSY H PANEL KEY-L SP	12
302NM94121	PARTS TABLET OPERATION SP	12
302NM94231	PARTS DRIVE ASSY A SP	13
302NM94240	PARTS DRIVE ASSY B SP	13
302NM94390	PARTS MOTOR-HB PAPER FEED SP	13
302NR94010	PARTS CLUTCH 35 Z35R SP	10, 21
302NZ05020	PANEL OPERATION	11
302P005020	PANEL OPERATION 3IN1	11
302P794010	PARTS SENSOR OPT. SP	8, 19
302R494420	PARTS PULLEY PICKUP ASSY SP	18, 31
302R494430	PARTS PULLEY PAPER FEED ASSY SP	31
302R794330	PARTS FAX UNIT J SP	2
302R794340	PARTS FAX UNIT U SP	2
302S018491	EMBLEM	15
302S0505120	KEY LOGOUT	12
302S0505140	KEY STATUS T	12

Part.No. 部品番号	Description 部品名称	Fig.No.
302T646020	CONN.CORD ASSY DRUM CONNECT-L	22
302T646110	CONN.CORD ASSY FAN	22
302T693031	DK-3190(E)	5, 32
302T693041	DK-3192(U)	5, 32
302T693061	DK-3194(AO)	5, 32
302T694070	PARTS PWB ASSY CONNECT-L SP	2
302T694080	PARTS PWB ASSY DRUM CONNECT SP	4
302T694100	PARTS UNIT POWER SUPPLY 120 SP	2
302T694110	PARTS UNIT POWER SUPPLY 230 SP	2
302T902010	GUIDE CASSETTE L	10
302T993061	DK-3170(E)	5, 31
302T993071	DK-3172(U)	5, 31
302T993081	DK-3171(J)	5, 31
302T993091	DK-3174(AO)	5, 31
302T994040	PARTS PWB ASSY CONNECT-L SP	2
302T994050	PARTS MOTOR EJECT SP	8
302TA02060	SHEET TRANSFORMER	2
302TA04010	LID TOP	1
302TA04030	COVER FRONT	1
302TA04040	KEY COVER OPEN	1
302TA04050	HOOK LID TOP A	1
302TA04060	HOOK LID TOP B	1
302TA04080	COVER RIGHT	1
302TA04090	COVER LEFT	1
302TA04120	COVER RIGHT UP A	1
302TA04130	COVER RIGHT UP B	1
302TA04140	COVER LEFT UP	1
302TA04160	COVER STAY B	8
302TA04180	COVER SIDE RIGHT	1
302TA04190	COVER CONTROLLER	1
302TA04200	COVER CONTROLLER UP	1
302TA04230	COVER WIFI	1
302TA05010	COVER OPERATION RIGHT	12
302TA05020	COVER OPERATION LEFT	12
302TA05030	COVER LCD UPPER	12
302TA05040	COVER LCD LOWER	12
302TA05050	KEY 10	12
302TA05060	KEY COPY	12
302TA05070	LID OPERATION LEFT	12
302TA05080	LID OPERATION RIGHT	12
302TA05110	KEY MENU	12
302TA05130	LABEL OPERATION RIGHT ENG	12
302TA05140	LABEL OPERATION LEFT ENG	12
302TA05150	LABEL OPERATION RIGHT JPN	12
302TA05160	LABEL OPERATION LEFT JPN	12
302TA05180	LABEL OPERATION LEFT GER	28, 29
302TA05190	LABEL OPERATION RIGHT GER	28, 29
302TA05200	LABEL OPERATION LEFT ITA	28, 29
302TA05210	LABEL OPERATION RIGHT ITA	28, 29
302TA05220	LABEL OPERATION LEFT DUT	28, 29
302TA05230	LABEL OPERATION RIGHT DUT	28, 29

2TF/2TG/2V2/2V3/2TA/2TB-3

Part.No. 部品番号	Description 部品名称	Fig.No.
302TA05240	LABEL OPERATION LEFT RUS	28, 29
302TA05250	LABEL OPERATION RIGHT RUS	28, 29
302TA05260	LABEL OPERATION LEFT FRA	28, 29
302TA05270	LABEL OPERATION RIGHT FRA	28, 29
302TA05280	LABEL OPERATION LEFT PTB	28, 29
302TA05290	LABEL OPERATION RIGHT PTB	28, 29
302TA05300	LABEL OPERATION LEFT SPA	28, 29
302TA05310	LABEL OPERATION RIGHT SPA	28, 29
302TA18850	COVER BASE DP	15
302TA18860	COVER REAR B	15
302TA18870	COVER FRONT B	15
302TA34010	SHEET MACHINE NUMBER	1
302TA34040	LABEL CAUTION CIS	17
302TA46040	CONN.CORD ASSY HYPAS DATA	25
302TA46060	CONN.CORD ASSY HYPAS SIG	25
302TA46070	CONN.CORD ASSY CONT-FAX	24, 25
302TA46080	CONN.CORD ASSY CONT-CONN L	22
302TA46090	CONN.CORD ASSY FFC CIS CONN	27
302TA46100	CONN.CORD ASSY DP	27
302TA46120	CONN.CORD ASSY STAPLER	25
302TA46130	CONN.CORD ASSY 03MCT-03CT	22
302TA46140	CONN.CORD ASSY TX-RX	27
302TA46150	CONN.CORD ASSY RX CONN	27
302TA46200	CONN.CORD ASSY SPEAKER	24, 25
302TA46210	CONN.CORD ASSY FFC CONT-CCD	25
302TA46280	CONN.CORD ASSY SHRINKAGE TUBE	27
302TA46290	CONN.CORD ASSY MOTOR	27
302TA46300	CONN.CORD ASSY USB HYPAS HOST	25
302TA46320	CONN.CORD ASSY FFC PANEL SENS	25
302TA46330	CONN.CORD ASSY DLP-CENTER FAN2	22
302TA46350	CONN.CORD ASSY FEED SENSOR	27
302TA93010	LK-3290	2
302TA93020	PARTS ISU ASSY SP	9
302TA93030	PARTS DP UNIT SP	14
302TA93040	FK-3300	7, 32
302TA93050	FK-3302	7, 32
302TA94010	PARTS TABLE MAIN ASSY SP	17
302TA94020	PARTS FRAME ISU TOP ASSY SP	9
302TA94030	PARTS LCD UNIT SP	12
302TA94040	PARTS PWB ASSY CONTROLLER SP	2
302TA94050	PARTS PWB ASSY CONTROLLER SP EU	2
302TA94060	PARTS PWB ASSY H PANEL MAIN SP	12
302TA94070	PARTS PWB ASSY TX SP	20
302TA94080	PARTS PWB ASSY RX SP	20
302TA94090	PARTS PWB ASSY H PANEL KEY-R SP	12
302TA94100	PARTS PWB ASSY CONNECT-R SP	2
302TA94110	PARTS UNIT LOW VOLTAGE 100V SP	2
302TA94120	PARTS UNIT LOW VOLTAGE 200V SP	2
302TB34010	SHEET MACHINE NUMBER	1
302TB93010	PARTS DP UNIT SP	14
302TB94010	PARTS PWB ASSY CONTROLLER SP	2

Part.No. 部品番号	Description 部品名称	Fig.No.
302TB94020	PARTS PWB ASSY CONTROLLER SP EU	2
302TF05010	LABEL OPERATION ENG	11
302TF05020	LABEL OPERATION GER	28
302TF05030	LABEL OPERATION FRA	28
302TF05040	LABEL OPERATION ITA	28
302TF05050	LABEL OPERATION SPA	28
302TF05060	LABEL OPERATION PTB	28
302TF05070	LABEL OPERATION DUT	28
302TF05080	LABEL OPERATION RUS	28
302TF34010	SHEET MACHINE NUMBER	1
302TF46010	CONN.CORD ASSY BASIC SIG 3IN1	24
302TF94010	PARTS OPERATION ASSY SP	11
302TF94020	PARTS PWB ASSY CONTROLLER SP EU	2
302TF94030	PARTS PWB ASSY B PANEL SP	11
302TG05060	LID OPERATION SHEET	11
302TG05090	LABEL OPERATION ENG	11
302TG05100	LABEL OPERATION GER	28
302TG05110	LABEL OPERATION FRA	28
302TG05120	LABEL OPERATION ITA	28
302TG05130	LABEL OPERATION SPA	28
302TG05140	LABEL OPERATION PTB	28
302TG05150	LABEL OPERATION DUT	28
302TG05160	LABEL OPERATION RUS	28
302TG34010	SHEET MACHINE NUMBER	1
302TG46010	CONN.CORD ASSY BASIC SIG	24
302TG46060	CONN.CORD ASSY USB BASIC HOST	24
302TG46070	CONN.CORD ASSY FFC PANEL SENS	24
302TG93010	PARTS ISU ASSY SP	9
302TG94010	PARTS OPERATION ASSY SP	11
302TG94020	PARTS PWB ASSY CONTROLLER SP	2
302TG94030	PARTS PWB ASSY CONTROLLER SP EU	2
302TG94040	PARTS PWB ASSY B PANEL SP	11
302TP04130	COVER SIDE	1
302TP04180	COVER REAR TOP	1
302TP04200	COVER LEFT REAR	1
302TP04210	COVER REAR LOW	8
302TP04220	COVER RIGHT REAR LOW	1
302TP04230	COVER CASSETTE	8
302TP04240	SHEET COVER SIDE	1
302TP09050	CURSOR END STMT	29
302TP46050	CONN.CORD ASSY INLET	23
302TP93010	CT-3230	3
302TP94010	PARTS COVER MPF ASSY SP	1
302TP94020	PARTS COVER REAR ASSY SP	8
302TP94030	PARTS PWB ASSY TH CONNECT SP	2
302TT04100	COVER REAR TOP	1
302TT93010	CT-3200	3
302TT94010	PARTS COVER REAR ASSY SP	8
302V018410	COVER FRONT A	15
302V018430	COVER REAR A	15
302V018710	COVER PF	15

2TF/2TG/2V2/2V3/2TA/2TB-3

Part.No. 部品番号	Description 部品名称	Fig.No.
302V146010	CONN.CORD ASSY S04163 DP SENSOR	27
302V146020	CONN.CORD ASSY S04164 CIS SENSOR	27
302V146050	CONN.CORD ASSY S04167 INTERLOCK	27
302V146060	CONN.CORD ASSY S04168 CIS DATA1	27
302V146070	CONN.CORD ASSY S04169 CIS DATA2	27
302V194070	PARTS PWB ASSY CIS CONNECT SP	21
302V194080	PARTS LCD OPERATION SP	12
302V204010	COVER CONTROLLER	1
302V205010	LABEL OPERATION RIGHT ENG	12
302V205020	LABEL OPERATION LEFT ENG	12
302V205030	LABEL OPERATION LEFT GER	28
302V205040	LABEL OPERATION RIGHT GER	28
302V205050	LABEL OPERATION LEFT ITA	28
302V205060	LABEL OPERATION RIGHT ITA	28
302V205070	LABEL OPERATION LEFT DUT	28
302V205080	LABEL OPERATION RIGHT DUT	28
302V205090	LABEL OPERATION LEFT RUS	28
302V205100	LABEL OPERATION RIGHT RUS	28
302V205110	LABEL OPERATION LEFT FRA	28
302V205120	LABEL OPERATION RIGHT FRA	28
302V205130	LABEL OPERATION LEFT PTB	28
302V205140	LABEL OPERATION RIGHT PTB	28
302V205150	LABEL OPERATION LEFT SPA	28
302V205160	LABEL OPERATION RIGHT SPA	28
302V234010	SHEET MACHINE NUMBER	1
302V246010	CONN.CORD ASSY HYPAS SIG 3IN1	25
302V294010	PARTS PWB ASSY CONTROLLER SP	2
302V294020	PARTS PWB ASSY CONTROLLER SP EU	2
302V304010	LID TOP	1
302V304040	COVER LEFT UP	1
302V304050	COVER RIGHT	1
302V304060	COVER FRONT	1
302V304090	COVER RIGHT UP A	1
302V304100	COVER RIGHT UP B	1
302V304110	COVER CONTROLLER UP	1
302V304120	COVER STAY B	8
302V304130	COVER LEFT	1
302V304140	COVER CONTROLLER	1
302V304150	COVER SIDE RIGHT	1
302V304160	COVER WIFI	1
302V318020	COVER PF	13
302V318030	COVER FRONT	13
302V318040	COVER REAR	13
302V334010	SHEET MACHINE NUMBER	1
302V346020	CONN.CORD ASSY DP	26
302V393010	LK-3260	2
302V393020	DK-3180(E)	5, 31
302V393030	PARTS DP UNIT SP	13
302V393040	FK-3200	7, 31
302V393050	FK-3201	7, 31
302V393060	FK-3202	7, 31

Part.No. 部品番号	Description 部品名称	Fig.No.
302V394010	PARTS TABLE MAIN ASSY SP	13
302V394020	PARTS PWB ASSY CONTROLLER SP	2
302V394030	PARTS PWB ASSY CONTROLLER SP EU	2
302V394050	PARTS PWB ASSY CONNECT-R SP	2
303HZ45010	MODULAR CORD	28, 29
303LM31040	GEAR 25R	21
303M894260	PARTS SENSOR OPT SP	4, 8, 9, 13
303N728010	PLATE HOOK	30
303N728020	TRAY REAR	30
303N728030	STOPPER PAPER REAR	30
303NW94040	PARTS SENSOR OPT. SP	18
303PA94011	PARTS FAX UNIT E SP	2
303R246010	MODULAR CORD AUSTRALIA	28, 29
303R302031	HINGE RIGHT	16
303R394030	PARTS HOLDER PAD ASSY SP	18, 32
303R402032	HINGE LEFT	16
303R407100	ACTUATOR ORIGINAL	20
303R424150	ACTUATOR EXIT	19
303R424220	GUIDE READING	18
303R431050	GEAR FEED Z53R Z33R	21
303R431200	GEAR CONVEYING Z54R Z32L	21
303R431250	GEAR Z32L	21
303R494010	PARTS HOLDER PICUP ASSY SP	18, 32
303R494040	PARTS MOTOR PAPER FEED SP	21
303R494050	PARTS CIS SP	18
303R494060	PARTS ROLLER CIS SP	20
3V2L204041	COVER REAR UP	8
3V2LV02042	GUIDE CASSETTE R	10
3V2LV02990	COVER SENSOR	2
3V2LV06030	GUIDE FEED SIDE	4
3V2LV06090	SPRING PICKUP B	4
3V2LV08070	HOLDER SEPARATION MPF	4
3V2LV08090	LEVER CAM MPF	4
3V2LV08100	LEVER LINK	1
3V2LV08210	PULLEY FEED	4
3V2LV09311	HOLDER RETARD B	3
3V2LV24111	ACTUATOR DU	4
3V2LV24440	LOCK ENVELOPE L	4
3V2LV24510	LOCK ENVELOPE R	4
3V2LV28070	ACTUATOR DU	8
3V2LV28081	GUIDE CHANGE	8
3V2LV28150	PULLEY EXIT	8
3V2LV31120	GEAR Z46L FREE	10
3V2LV31130	GEAR Z37S FREE	10
3V2LV31190	GEAR Z32L REG CLUTCH	10
3V2LV31300	LEVER COUPLING DRUM	10
3V2LV31490	GEAR Z35S-Z13S B	10
3V2LV46230	CONN.CORD ASSY S03675	22
3V2LV46410	CONN.CORD ASSY S03736	24
3V2LV46460	CONN.CORD ASSY S03786	22
3V2NM05050	COVER PANEL RIGHT	12

PF-3110

First Edition
December 2017

—— CONTENTS / 目次 ——

FIG. 1	Paper Feed Section	2
FIG. 2	Paper Cassette	4
FIG. 3	Wire Section.....	6
	• INDEX / 索引.....	8

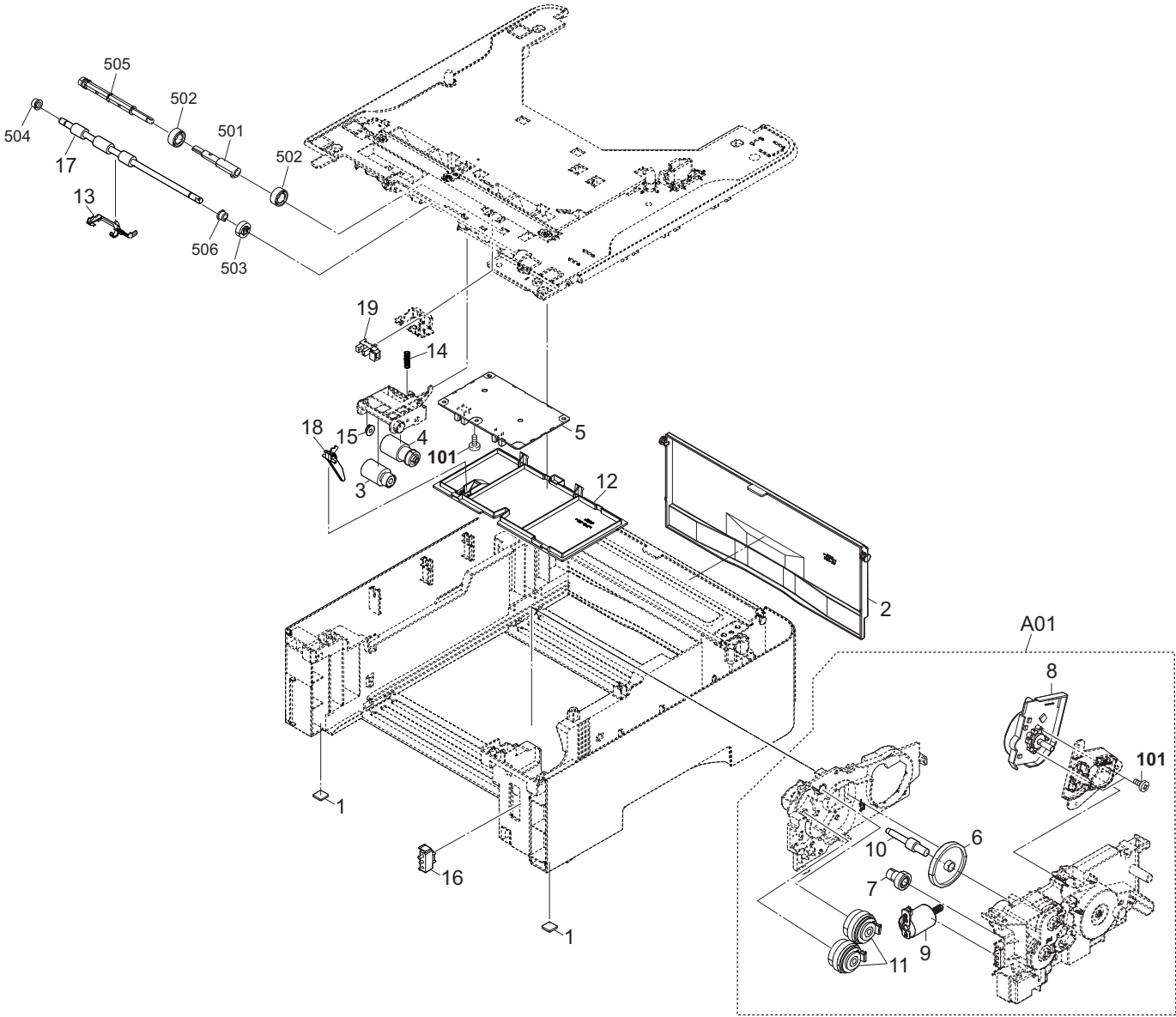


FIG. 1 Paper Feed Section

3SA

Ref. No. 番号	Part.No. 部品番号	Description 部品名称	Notes 備考	Revision 改訂	Quantity 個数			
					100(日本)	120	230	240
1	302HN02611	FOOT			2	2	2	2
2	303SA04010	COVER REAR			1	1	1	1
3	302F906230	PULLEY FEED ASSY			1	1	1	1
4	302HN06080	PULLEY PICKUP ASSY			1	1	1	1
5	303NY94011	PARTS PWB ASSY PF MAIN SP			1	1	1	1
A01	303NY94040	PARTS DRIVE ASSY SP			1	1	1	1
6	*303K831040	GEAR Z58L			1	1	1	1
7	*303K831261	GEAR Z36R Z20S			1	1	1	1
8	*302K994323	PARTS MOTOR-BL W20 SP			1	1	1	1
9	*303NY01020	DC MOTOR ASSY			1	1	1	1
10	*303NY31120	PIN DRIVE			1	1	1	1
11	*302KV44041	CLUTCH 50 Z35R			2	2	2	2
12	303K802081	COVER TOP			1	1	1	1
13	303K806030	ACTUATOR FEED			1	1	1	1
14	303NY06060	SPRING PICKUP B			1	1	1	1
15	302K306460	BUSH 4			1	1	1	1
16	7SP03072001+H01	SW.PUSH			1	1	1	1
17	303K806080	ROLLER MIDDLE ASSY			1	1	1	1
18	303NY06030	ACTUATOR PE			1	1	1	1
19	7NXSG2A141++H01	SENSOR OPT.			1	1	1	1
101	7BB202308H	+TP-FLAT T.T P SCREW 3X8						

• Parts with a Ref.No. of 500 and above in the illustration indicate they are not selected for service parts.

• イラスト中で 500 番台の Ref 番号が付いている部品はサービスパーツに選定されていません。

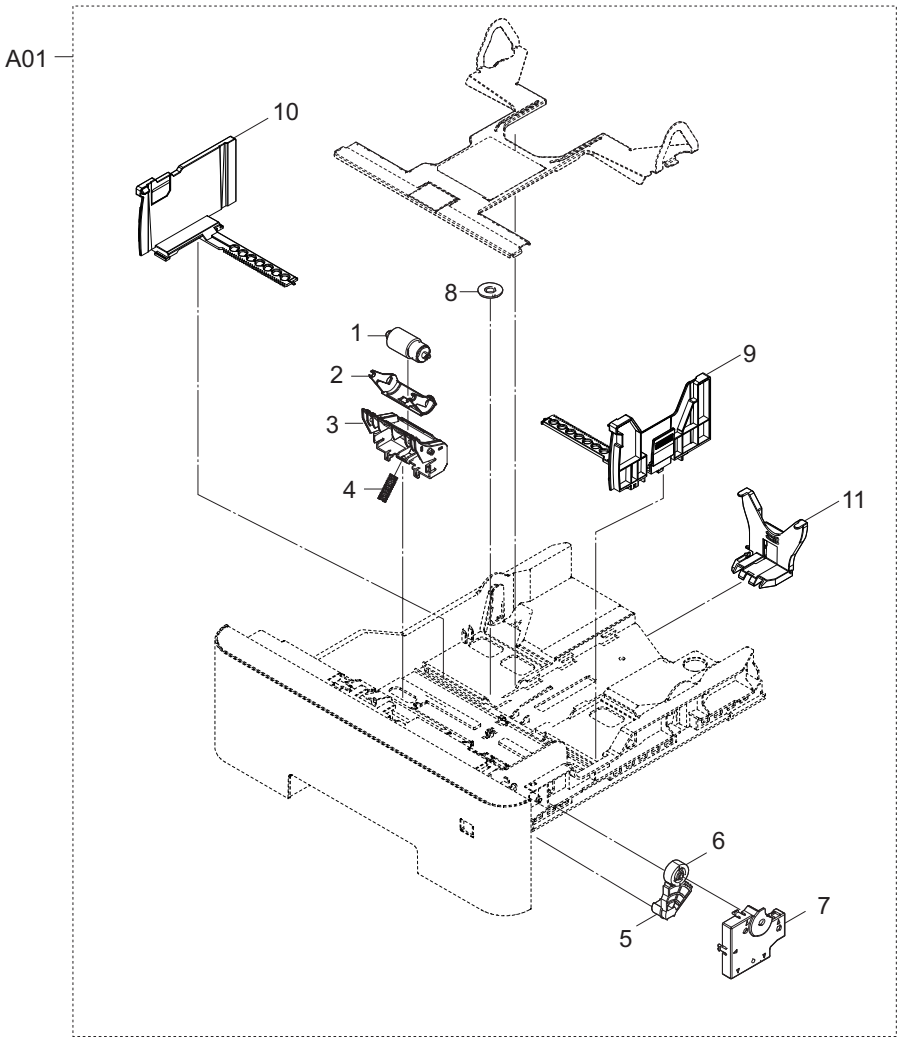
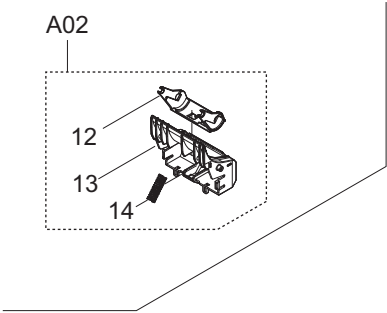


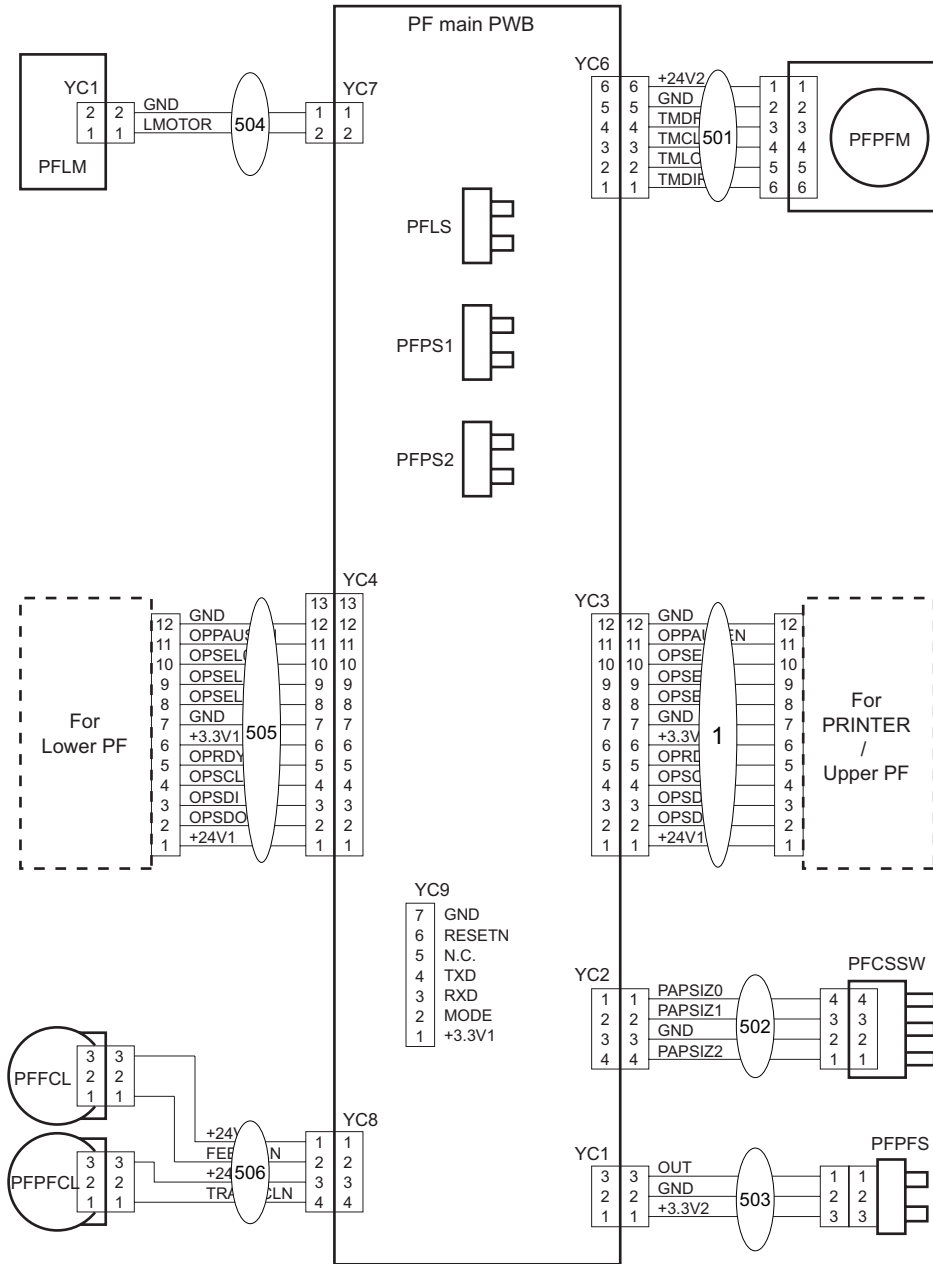
FIG. 2 Paper Cassette

3SA

Ref. No. 番号	Part.No. 部品番号	Description 部品名称	Notes 備考	Revision 改訂	Quantity 個数			
					100(日本)	120	230	240
A01	303SA93010	CT-3110			1	1	1	1
1	*302F909171	RETARD ROLLER ASSY			1	1	1	1
2	*3V2LV09311	HOLDER RETARD B			1	1	1	1
3	*303NY09190	GUIDE RETARD B			1	1	1	1
4	*302LV09330	SPRING RETARD B			1	1	1	1
5	*302LV09241	GEAR Z48S LIFT			1	1	1	1
6	*303NY09091	GEAR Z15S JOINT			1	1	1	1
7	*303NY09040	COVER LIFT GEAR			1	1	1	1
8	*5MVG127DN071	GEAR CASSETTE /A-49 CASSETTE A4			1	1	1	1
9	*302LV09061	CURSOR RIGHT			1	1	1	1
10	*302LV09070	CURSOR LEFT			1	1	1	1
11	*3V2P709150	CURSOR END			1	1	1	1
A02	303NY94030	PARTS HOLDER RETARD B SET SP			1	1	1	1
12	*3V2LV09311	HOLDER RETARD B			1	1	1	1
13	*303NY09190	GUIDE RETARD B			1	1	1	1
14	*302LV09330	SPRING RETARD B			1	1	1	1

• Parts with a Ref.No. of 500 and above in the illustration indicate they are not selected for service parts.

• イラスト中で 500 番台の Ref 番号が付いている部品はサービスパーツに選定されていません。



KYOCERA Document Solutions America, Inc.**Headquarters**

225 Sand Road,
Fairfield, New Jersey 07004-0008, USA
Phone: +1-973-808-8444
Fax: +1-973-882-6000

Latin America

8240 NW 52nd Terrace, Suite 301
Miami, Florida 33166, USA
Phone: +1-305-421-6640
Fax: +1-305-421-6666

KYOCERA Document Solutions Canada, Ltd.

6120 Kestrel Rd., Mississauga, ON L5T 1S8,
Canada
Phone: +1-905-670-4425
Fax: +1-905-670-8116

KYOCERA Document Solutions**Mexico, S.A. de C.V.**

Calle Arquimedes No. 130, 4 Piso, Colonia Polanco
Chapultepec, Delegacion Miguel Hidalgo,
Distrito Federal, C.P. 11560, México
Phone: +52-555-383-2741
Fax: +52-555-383-7804

KYOCERA Document Solutions Brazil, Ltda.

Alameda África, 545, Pólo Empresarial Consbrás,
Tamboré, Santana de Parnaíba, State of São Paulo,
CEP 06543-306, Brazil
Phone: +55-11-2424-5353
Fax: +55-11-2424-5304

KYOCERA Document Solutions Chile SpA

Jose Ananias 505, Macul. Santiago, Chile
Phone: +56-2-2670-1900
Fax: +56-2-2350-7150

KYOCERA Document Solutions**Australia Pty. Ltd.**

Level 3, 6-10 Talavera Road North Ryde N.S.W, 2113,
Australia
Phone: +61-2-9888-9999
Fax: +61-2-9888-9588

KYOCERA Document Solutions**New Zealand Ltd.**

Ground Floor, 19 Byron Avenue, Takapuna, Auckland,
New Zealand
Phone: +64-9-415-4517
Fax: +64-9-415-4597

KYOCERA Document Solutions Asia Limited

13/F.,Mita Centre, 552-566, Castle Peak Road Tsuen
Wan, New Territories, Hong Kong
Phone: +852-2496-5678
Fax: +852-2610-2063

KYOCERA Document Solutions**(China) Corporation**

8F, No. 288 Nanjing Road West, Huangpu District,
Shanghai,200003, China
Phone: +86-21-5301-1777
Fax: +86-21-5302-8300

KYOCERA Document Solutions**(Thailand) Corp., Ltd.**

335 Ratchadapisek Road, Wongsawang, Bangsue,
Bangkok 10800,
Thailand
Phone: +66-2-586-0333
Fax: +66-2-586-0278

KYOCERA Document Solutions**Singapore Pte. Ltd.**

12 Tai Seng Street #04-01A,
Luxasia Building, Singapore 534118
Phone: +65-6741-8733
Fax: +65-6748-3788

KYOCERA Document Solutions**Hong Kong Limited**

16/F.,Mita Centre, 552-566, Castle Peak Road Tsuen
Wan, New Territories, Hong Kong
Phone: +852-3582-4000
Fax: +852-3185-1399

KYOCERA Document Solutions**Taiwan Corporation**

6F., No.37, Sec. 3, Minquan E. Rd.,
Zhongshan Dist., Taipei 104, Taiwan R.O.C.
Phone: +886-2-2507-6709
Fax: +886-2-2507-8432

KYOCERA Document Solutions Korea Co., Ltd.

#10F Daewoo Foundation Bldg 18, Toegye-ro, Jung-gu,
Seoul, Korea
Phone: +822-6933-4050
Fax: +822-747-0084

KYOCERA Document Solutions**India Private Limited**

Second Floor, Centrum Plaza, Golf Course Road,
Sector-53, Gurgaon, Haryana 122002, India
Phone: +91-0124-4671000
Fax: +91-0124-4671001

KYOCERA Document Solutions Europe B.V.

Bloemlaan 4, 2132 NP Hoofddorp,
The Netherlands
Phone: +31-20-654-0000
Fax: +31-20-653-1256

KYOCERA Document Solutions Nederland B.V.

Beechavenue 25, 1119 RA Schiphol-Rijk,
The Netherlands
Phone: +31-20-5877200
Fax: +31-20-5877260

KYOCERA Document Solutions (U.K.) Limited

Eldon Court, 75-77 London Road,
Reading, Berkshire RG1 5BS,
United Kingdom
Phone: +44-118-931-1500
Fax: +44-118-931-1108

KYOCERA Document Solutions Italia S.p.A.

Via Monfalcone 15, 20132, Milano, Italy,
Phone: +39-02-921791
Fax: +39-02-92179-600

KYOCERA Document Solutions Belgium N.V.

Sint-Martinusweg 199-201 1930 Zaventem,
Belgium
Phone: +32-2-7209270
Fax: +32-2-7208748

KYOCERA Document Solutions France S.A.S.

Espace Technologique de St Aubin
Route de l'Orme 91195 Gif-sur-Yvette CEDEX,
France
Phone: +33-1-69852600
Fax: +33-1-69853409

KYOCERA Document Solutions Espana, S.A.

Edificio Kyocera, Avda. de Manacor No.2,
28290 Las Matas (Madrid), Spain
Phone: +34-91-6318392
Fax: +34-91-6318219

KYOCERA Document Solutions Finland Oy

Atomitie 5C, 00370 Helsinki,
Finland
Phone: +358-9-47805200
Fax: +358-9-47805212

KYOCERA Document Solutions Europe B.V., Amsterdam (NL) Zürich Branch

Hohlstrasse 614, 8048 Zürich,
Switzerland
Phone: +41-44-9084949
Fax: +41-44-9084950

KYOCERA Bilgitas Document Solutions Turkey A.S.

Altunizade Mah. Prof. Fahrettin Kerim Gökay Cad.
No:45
34662 ÜSKÜDAR İSTANBUL, TURKEY
Phone: +90-216-339-0020
Fax: +90-216-339-0070

KYOCERA Document Solutions Deutschland GmbH

Otto-Hahn-Strasse 12, 40670 Meerbusch,
Germany
Phone: +49-2159-9180
Fax: +49-2159-918100

KYOCERA Document Solutions Austria GmbH

Wienerbergstraße 11, Turm A, 18. OG, 1100 Wien,
Austria
Phone: +43-1-863380
Fax: +43-1-86338-400

KYOCERA Document Solutions Nordic AB

Esbogatan 16B 164 75 Kista, Sweden
Phone: +46-8-546-550-00
Fax: +46-8-546-550-10

京セラドキュメントソリューションズ株式会社
京セラドキュメントソリューションズジャパン株式会社

 **KYOCERA** は京セラ株式会社の登録商標です。

KYOCERA Document Solutions Norge Nuf

Olaf Helsetsv. 6, 0619 Oslo, Norway
Phone: +47-22-62-73-00
Fax: +47-22-62-72-00

KYOCERA Document Solutions Danmark A/S

Ejby Industrivej 60, DK-2600 Glostrup,
Denmark
Phone: +45-70223880
Fax: +45-45765850

KYOCERA Document Solutions Portugal Lda.

Rua do Centro Cultural, 41 (Alvalade) 1700-106 Lisboa,
Portugal
Phone: +351-21-843-6780
Fax: +351-21-849-3312

KYOCERA Document Solutions South Africa (Pty) Ltd.

KYOCERA House, Hertford Office Park,
90 Bekker Road (Cnr. Allandale), Midrand, South Africa
Phone: +27-11-540-2600
Fax: +27-11-466-3050

KYOCERA Document Solutions Russia LLC.

Building 2, 51/4, Schepkina St., 129110, Moscow,
Russia
Phone: +7(495)741-0004
Fax: +7(495)741-0018

KYOCERA Document Solutions Middle East

Dubai Internet City, Bldg. 17,
Office 157 P.O. Box 500817, Dubai,
United Arab Emirates
Phone: +971-04-433-0412

KYOCERA Document Solutions Inc.

2-28, 1-chome, Tamatsukuri, Chuo-ku
Osaka 540-8585, Japan
Phone: +81-6-6764-3555
<http://www.kyoceradocumentsolutions.com>