



**ECOSYS P2235dn**  
**ECOSYS P2235dw**  
**ECOSYS P2040dn**  
**ECOSYS P2040dw**  
**ECOSYS M2135dn**  
**ECOSYS M2635dn**  
**ECOSYS M2635dw**  
**ECOSYS M2735dw**  
**ECOSYS M2040dn**  
**ECOSYS M2540dn**  
**ECOSYS M2540dw**  
**ECOSYS M2640idw**  
**PF-1100**

## **PARTS LIST**

Published in July 2016  
2RVPL070  
842RV120  
First Edition

**ECOSYS P2040dw**  
**ECOSYS M2540dw**  
**ECOSYS M2640idw**  
**PF-1100**

## **パーツリスト**

2016年7月初版  
2RVPL010

## Items listed in the revision columns are defined as follows.

Item	Description
Add	Add a new part
Del	Delete a part
Design-chg.	A design changed part (Parts number version up)
Part No-chg.	A part number is changed to other one.
Quantity-chg.	Change Quantity of parts to use
Others	Other changes

## Revision history

Rev.	Date	Remarks

## Symbols in the parts list

- Parts without a Ref.No. in the illustration indicate they are not supplied.
- Parts with a Ref.No. of 500 and above in the illustration indicate they are not selected for service parts.
- Parts with "\*" are component parts or sub-assemblies of the assembly appearing immediately above them.
- Parts with "\*\*" are component parts or sub-assembly with "\*" appearing immediately above them.

## <Notation of products>

For the purpose of this parts list, products are identified as following.

PRINTER

ECOSYS P2235dn : 35ppm(A4),37ppm(Letter)(B)

ECOSYS P2235dw : 35ppm(A4),37ppm(Letter)(C)

ECOSYS P2040dn : 40ppm(A4)(A)

ECOSYS P2040dw : 40ppm(A4),42ppm(Letter)(B)

MFP

ECOSYS M2135dn : 35ppm(A4),37ppm(Letter)(A)

ECOSYS M2635dn : 35ppm(A4)(BF)

ECOSYS M2635dw : 35ppm(A4),37ppm(Letter)(CF)

ECOSYS M2735dw : 35ppm(A4)(DF)

ECOSYS M2040dn : 40ppm(A4),42ppm(Letter)(A)

ECOSYS M2540dn : 40ppm(A4)(BF)

ECOSYS M2540dw : 40ppm(A4),42ppm(Letter)(CF)

ECOSYS M2640idw : 40ppm(A4),42ppm(Letter)(DF)

## 改訂欄記載項目の内容は以下の通りです。

記載項目	内容
Add	新規部品の追加
Del	部品の削除
Design-chg.	部品の設変（版数アップ）
Part No-chg.	部品番号の変更
Quantity-chg.	部品の個数変更
Others	その他の変更

## 改訂履歴

Rev.	改訂日	備考

## 記号の見方

イラスト中で Ref 番号がない部品は供給できません。

イラスト中で 500 番台の Ref 番号が付いている部品はサービスパーツに選定されていません。

部品番号欄の・印は、組立部品の単品部品及び準組立部品を表わします。

部品番号欄の\*\*印は、準組立部品の単品部品を表わします。

## <本体機種区別表記>

パーツリスト中の本体機種区別は、以下の様に記載します。

PRINTER

ECOSYS P2040dw : 40ppm(A4),42ppm(Letter)(B)

MFP

ECOSYS M2540dw : 40ppm(A4),42ppm(Letter)(CF)

ECOSYS M2640idw : 40ppm(A4),42ppm(Letter)(DF)

---

**ECOSYS P2235dn/ECOSYS P2235dw/ECOSYS P2040dn/  
ECOSYS P2040dw/ECOSYS M2135dn/ECOSYS M2635dn/  
ECOSYS M2635dw/ECOSYS M2735dw/ECOSYS M2040dn/  
ECOSYS M2540dn/ECOSYS M2540dw/ECOSYS M2640idw**

## — CONTENTS / 目次 —

FIG. 1 Covers (MFP) ..... 2	FIG. 30 Wire Sections 1 (MFP 1) ..... 60
FIG. 2 Covers (PRINTER) ..... 4	FIG. 31 Wire Sections 2 (MFP 2) ..... 62
FIG. 3 Front Covers (MFP)..... 6	FIG. 32 Wire Sections 3 (MFP 3) ..... 64
FIG. 4 Front Covers (PRINTER) ..... 8	FIG. 33 Wire Sections 4 (MFP 4) ..... 66
FIG. 5 Labels ..... 10	FIG. 34 Wire Sections 5 (PRINTER 1) ..... 68
FIG. 6 Frame 1 ..... 12	FIG. 35 Wire Sections 6 (PRINTER 2) ..... 70
FIG. 7 Frame 2 (MFP) ..... 14	FIG. 36 Wire Sections 7 (PRINTER 3) ..... 72
FIG. 8 Frame 3 (PRINTER) ..... 16	FIG. 37 Accessories ..... 74
FIG. 9 Paper Cassette ..... 18	FIG. 38 Maintenance Kit ..... 77
FIG. 10 Paper Feed Section 1 ..... 20	
FIG. 11 Paper Feed Section 2 ..... 22	
FIG. 12 Paper Conveying Section ..... 24	
FIG. 13 Laser Scanner Section ..... 26	• INDEX / 索引 ..... 78
FIG. 14 Scanner Section ..... 28	
FIG. 15 Image Formation Section 1 ..... 30	
FIG. 16 Image Formation Section 2 ..... 32	
FIG. 17 Fuser Section ..... 34	
FIG. 18 Drive Section ..... 36	
FIG. 19 Electrical Components ..... 38	
FIG. 20 Operation Section 1 (MFP;35ppm(A4)(DF)/40ppm(A4),42ppm(Letter)(DF) 40	
FIG. 21 Operation Section 2 (MFP;35ppm(A4),37ppm(Letter)(A)/35ppm(A4)(BF)/ 35ppm(A4),37ppm(Letter)(CF)/ 40ppm(A4),42ppm(Letter)(A)/40ppm(A4)(BF)/ 40ppm(A4),42ppm(Letter)(CF)) ..... 42	
FIG. 22 Operation Section 3 (PRINTER) ..... 44	
FIG. 23 DP Unit ..... 46	
FIG. 24 DP Covers ..... 48	
FIG. 25 DP Frame ..... 50	
FIG. 26 DP Paper Feed Section ..... 52	
FIG. 27 DP Conveying Section 1 (40ppm(A4),42ppm(Letter)(A)/40ppm(A4)(BF)/ 40ppm(A4),42ppm(Letter)(CF)/ 40ppm(A4),42ppm(Letter)(DF)) ..... 54	
FIG. 28 DP Conveying Section 2 (35ppm(A4),37ppm(Letter)(A)/35ppm(A4)(BF)/ 35ppm(A4),37ppm(Letter)(CF)/35ppm(A4)(DF)) ..... 56	
FIG. 29 DP Drive Section ..... 58	



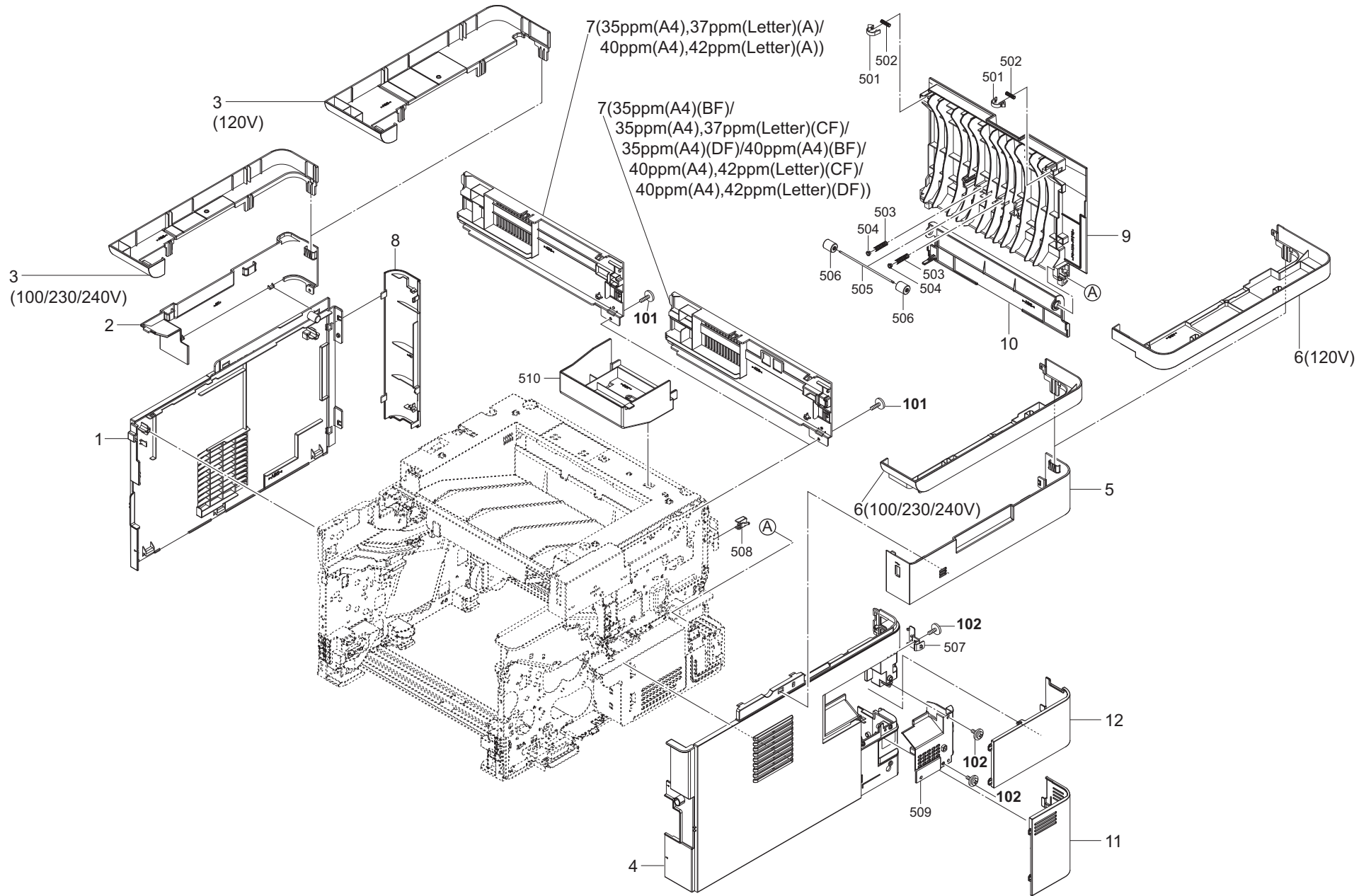


FIG. 1 Covers (MFP)

2RV/2RW/2RX/2RY/2S0/2S1/2S2/2SG/2S3/2SH/2S4/2S5

Ref. No. 番号	Part.No. 部品番号	Alternative. 代替部品番号	Description 部品名称	Notes 備考	Revision 改訂	Quantity 個数			
						100(日本)	120	230	240
1	302S004030	2S004030	COVER LEFT			1	1	1	1
2	302S004070	2S004070	COVER LEFT UP			1	1	1	1
3	302S004100	2S004100	COVER ISU LEFT			1		1	1
3	302S004170	2S004170	COVER ISU LEFT LGL				1		
4	302S004040	2S004040	COVER RIGHT			1	1	1	1
5	302S004080	2S004080	COVER RIGHT UP			1	1	1	1
6	302S004110	2S004110	COVER ISU RIGHT			1		1	1
6	302S004180	2S004180	COVER ISU RIGHT LGL				1		
7	302S004090	2S004090	COVER REAR UP	35ppm(A4),37ppm(Letter)(A)/40ppm(A4),42ppm(Letter)(A)			1	1	1
7	302S404020	2S404020	COVER REAR UP FAX	35ppm(A4)(BF)/35ppm(A4),37ppm(Letter)(CF)/ 35ppm(A4)(DF)/40ppm(A4)(BF)/ 40ppm(A4),42ppm(Letter)(CF)/40ppm(A4),42ppm(Letter)(DF)		1	1	1	1
8	302RV04080	2RV04080	COVER LEFT REAR			1	1	1	1
9	302RV28090	2RV28090	COVER REAR			1	1	1	1
10	302RV28110	2RV28110	COVER CASSETTE REAR			1	1	1	1
11	302S004210	2S004210	COVER RIGHT REAR			1	1	1	1
12	302S004200	2S004200	COVER DIMM			1	1	1	1
101	7BB607310H	BB106860	+TP-CUP M SCREW 3X10 R						
102	7BB202308H	BB105690	+TP-FLAT T.T P SCREW 3X8						

• Parts with a Ref.No. of 500 and above in the illustration indicate they are not selected for service parts.

• イラスト中で 500 番台の Ref 番号が付いている部品はサービスパーツに選定されていません。

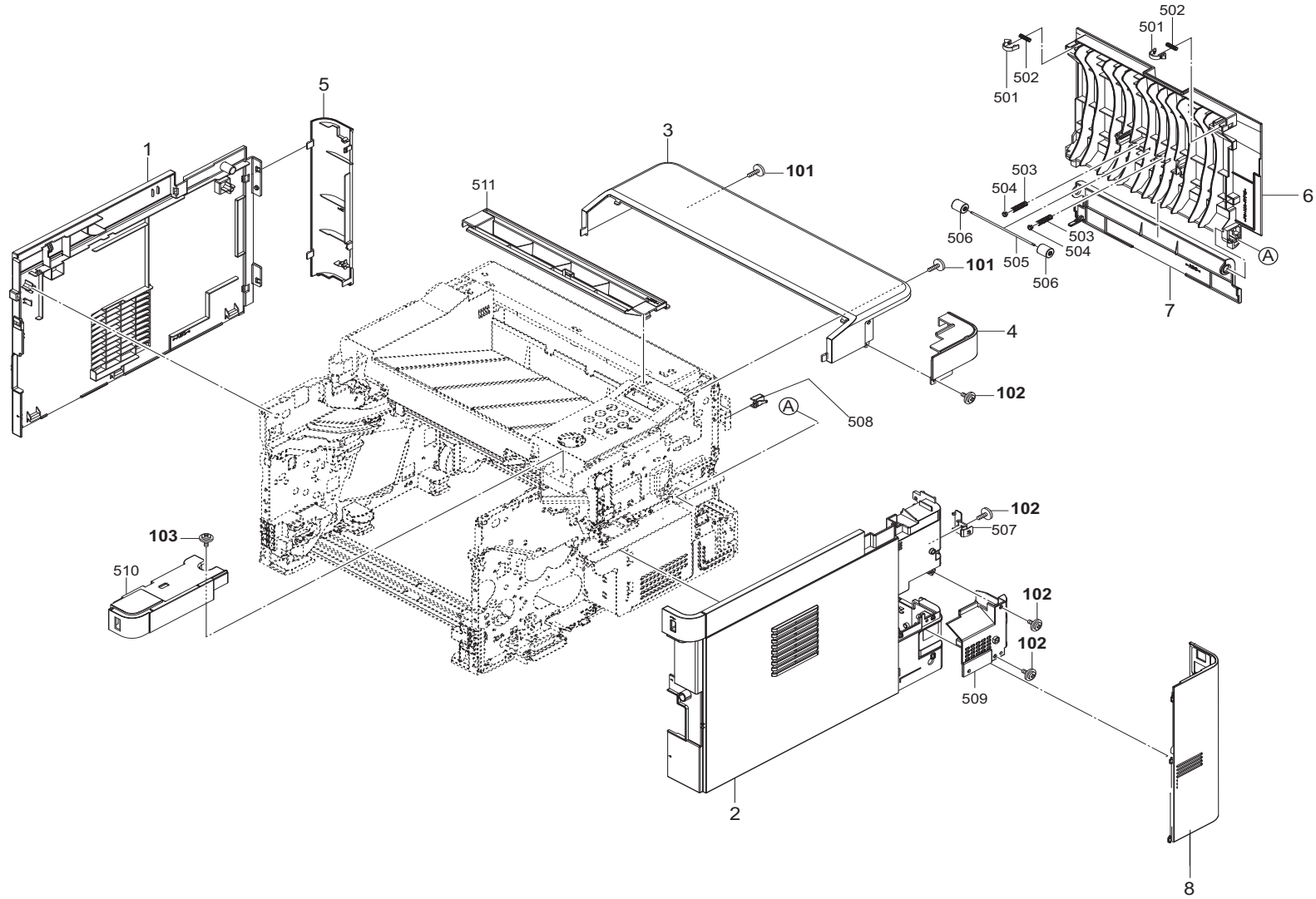


FIG. 2 Covers (PRINTER)

2RV/2RW/2RX/2RY/2S0/2S1/2S2/2SG/2S3/2SH/2S4/2S5

Ref. No. 番号	Part.No. 部品番号	Alternative. 代替部品番号	Description 部品名称	Notes 備考	Revision 改訂	Quantity 個数			
						100(日本)	120	230	240
1	302RV04030	2RV04030	COVER LEFT			1	1	1	1
2	302RV04040	2RV04040	COVER RIGHT			1	1	1	1
3	302RV04070	2RV04070	COVER TOP REAR			1	1	1	1
4	302RV04100	2RV04100	COVER WIFI			1	1	1	1
5	302RV04080	2RV04080	COVER LEFT REAR			1	1	1	1
6	302RV28090	2RV28090	COVER REAR			1	1	1	1
7	302RV28110	2RV28110	COVER CASSETTE REAR			1	1	1	1
8	302RV04060	2RV04060	COVER RIGHT REAR			1	1	1	1
101	7BB607310H	BB106860	+TP-CUP M SCREW 3X10 R						
102	7BB202308H	BB105690	+TP-FLAT T.T P SCREW 3X8						
103	7BB282308H	BB111240	+TP-FLAT T.T P SCREW 3X8(BLACK)						

• Parts with a Ref.No. of 500 and above in the illustration indicate they are not selected for service parts.

・イラスト中で 500 番台の Ref 番号が付いている部品はサービスパーツに選定されていません。



FIG. 3 Front Covers (MFP)

2RV/2RW/2RX/2RY/2S0/2S1/2S2/2SG/2S3/2SH/2S4/2S5

Ref. No. 番号	Part.No. 部品番号	Alternative. 代替部品番号	Description 部品名称	Notes 備考	Revision 改訂	Quantity 個数			
						100 (日本)	120	230	240
1	302S004050	2S004050	COVER FRONT	35ppm(A4),37ppm(Letter)(A)/35ppm(A4)(BF)/35ppm(A4),37ppm(Letter)(CF)/35ppm(A4)(DF)			1	1	1
1	302S404060	2S404060	COVER FRONT	40ppm(A4),42ppm(Letter)(A)/40ppm(A4)(BF)/40ppm(A4),42ppm(Letter)(CF)/40ppm(A4),42ppm(Letter)(DF)		1	1	1	1
2	302RV04160	2RV04160	LEVER CONTAINER			1	1	1	1
3	302S004060	2S004060	COVER FRONT UP			1	1	1	1
4	302RV04150	2RV04150	KEY POWER			1	1	1	1
5	302RV34070	2RV34070	LABEL JAM OPERATION			1	1	1	1
6	302RV34080	2RV34080	LABEL CONTAINER OPERATION			1	1	1	1
7	302RV04370	2RV04370	STRAP COVER FRONT			1	1	1	1
8	302S004020	2S004020	LID TOP	35ppm(A4),37ppm(Letter)(A)/35ppm(A4)(BF)/35ppm(A4),37ppm(Letter)(CF)/35ppm(A4)(DF)			1	1	1
8	302S404010	2S404010	LID TOP	40ppm(A4),42ppm(Letter)(A)/40ppm(A4)(BF)/40ppm(A4),42ppm(Letter)(CF)/40ppm(A4),42ppm(Letter)(DF)		1	1	1	1
9	302S004010	2S004010	COVER TOP			1	1	1	1
10	302RV04220	2RV04220	STOPPER			1	1	1	1
11	302S002030	2S002030	RACK LID			1	1	1	1
12	302RV02420	2RV02420	RACK FRONT			1	1	1	1
13	302RV94010	2RV94010	PARTS TRAY MPF ASSY SP			1	1	1	1
101	7BB782308H	BB111300	+TP-FLAT T.T P SCREW 3X8(BLACK)						
102	7BB200308H	BB105660	+BIND T.T P SCREW 3X8						

• Parts with a Ref.No. of 500 and above in the illustration indicate they are not selected for service parts.

• イラスト中で 500 番台の Ref 番号が付いている部品はサービスパーツに選定されていません。

FIG. 4 Front Covers (PRINTER)

2RV/2RW/2RX/2RY/2S0/2S1/2S2/2SG/2S3/2SH/2S4/2S5

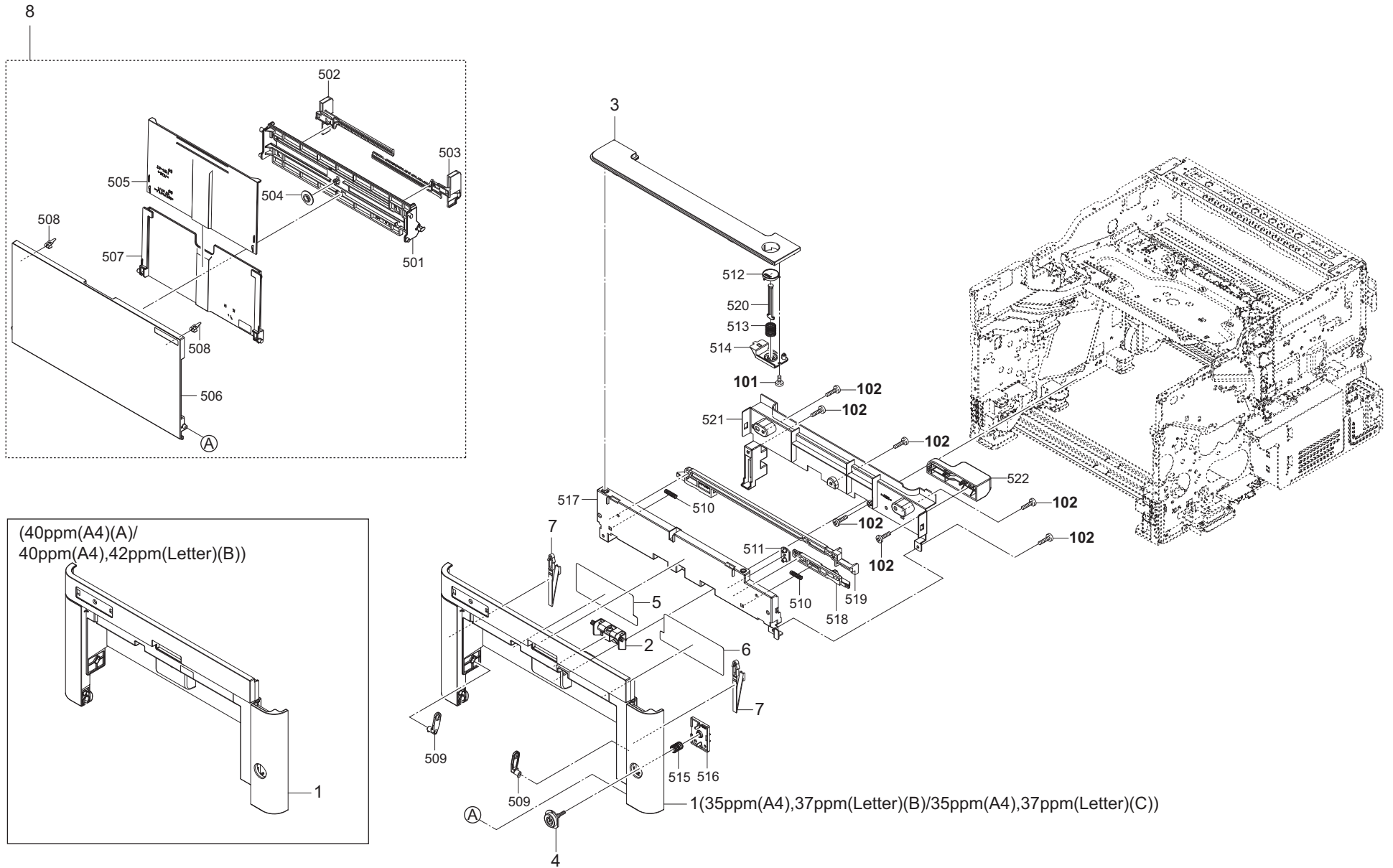


FIG. 4 Front Covers (PRINTER)

2RV/2RW/2RX/2RY/2S0/2S1/2S2/2SG/2S3/2SH/2S4/2S5

Ref. No. 番号	Part.No. 部品番号	Alternative. 代替部品番号	Description 部品名称	Notes 備考	Revision 改訂	Quantity 個数			
						100(日本)	120	230	240
1	302RV04050	2RV04050	COVER FRONT	35ppm(A4),37ppm(Letter)(B)/35ppm(A4),37ppm(Letter)(C)			1	1	1
1	302RV04020	2RV04020	COVER FRONT	40ppm(A4)(A)/40ppm(A4),42ppm(Letter)(B)		1	1	1	1
2	302RV04160	2RV04160	LEVER CONTAINER			1	1	1	1
3	302RV04130	2RV04130	COVER FRONT UP			1	1	1	1
4	302RV04150	2RV04150	KEY POWER			1	1	1	1
5	302RV34070	2RV34070	LABEL JAM OPERATION			1	1	1	1
6	302RV34080	2RV34080	LABEL CONTAINER OPERATION			1	1	1	1
7	302RV04370	2RV04370	STRAP COVER FRONT			2	2	2	2
8	302RV94010	2RV94010	PARTS TRAY MPF ASSY SP			1	1	1	1
101	7BB200308H	BB105660	+BIND T.T P SCREW 3X8						
102	7BB200312H	BB105680	+BIND T.T P SCREW 3X12						

• Parts with a Ref.No. of 500 and above in the illustration indicate they are not selected for service parts.

• イラスト中で 500 番台の Ref 番号が付いている部品はサービスパーツに選定されていません。



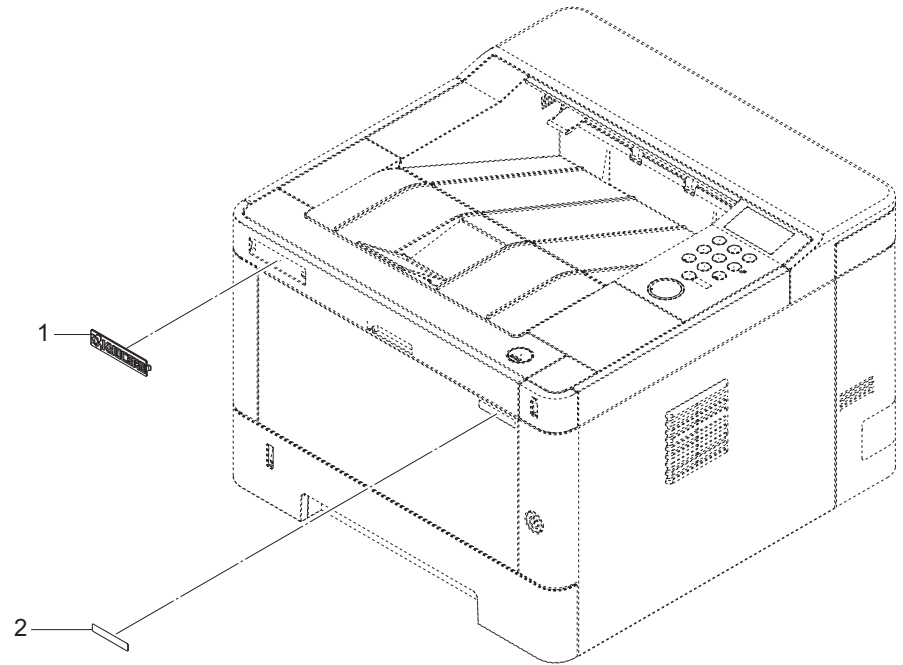
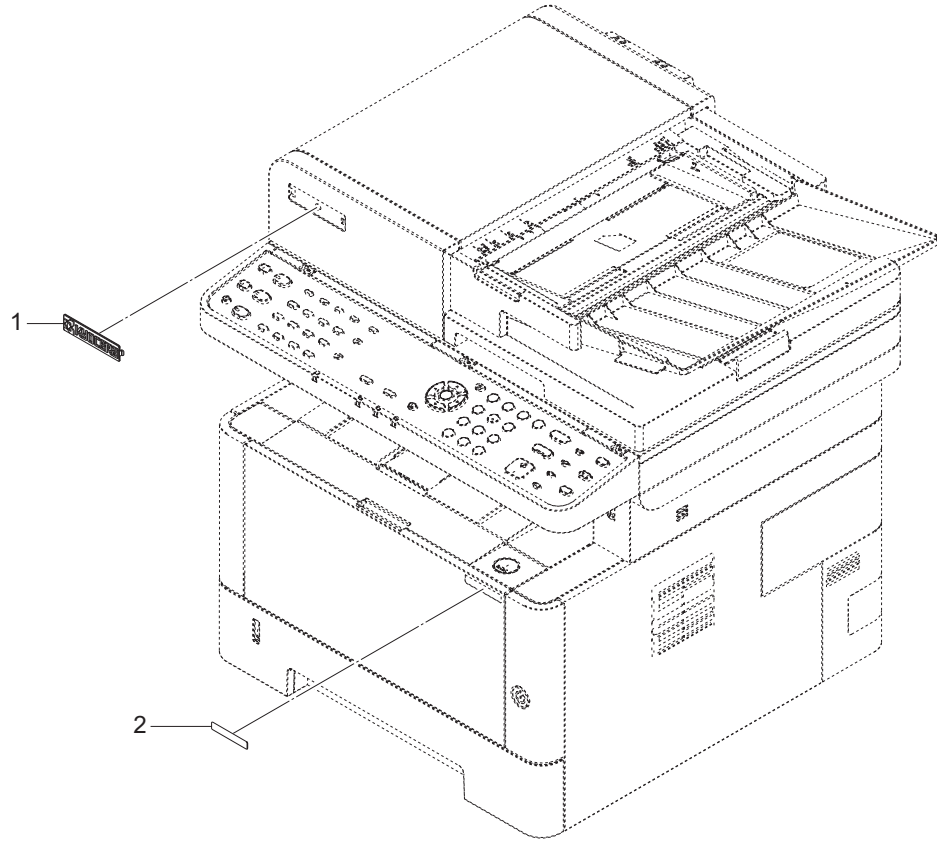


FIG. 5 Labels

2RV/2RW/2RX/2RY/2S0/2S1/2S2/2SG/2S3/2SH/2S4/2S5

Ref. No. 番号	Part.No. 部品番号	Alternative. 代替部品番号	Description 部品名称	Notes 備考	Revision 改訂	Quantity 個数			
						100 (日本)	120	230	240
1	302S018490	2S018490	EMBLEM			1	1	1	1
2	302RV34010	2RV34010	EMBLEM MACHINE NUMBER	35ppm(A4),37ppm(Letter)(B)			1	1	1
2	302RW34020	2RW34020	EMBLEM MACHINE NUMBER	35ppm(A4),37ppm(Letter)(C)			1	1	1
2	302RX34010	2RX34010	EMBLEM MACHINE NUMBER	40ppm(A4)(A)				1	1
2	302RY34010	2RY34010	EMBLEM MACHINE NUMBER	40ppm(A4),42ppm(Letter)(B)		1	1	1	1
2	302S034010	2S034010	EMBLEM MACHINE NUMBER	35ppm(A4),37ppm(Letter)(A)			1	1	
2	302S134010	2S134010	EMBLEM MACHINE NUMBER	35ppm(A4)(BF)				1	1
2	302S234010	2S234010	EMBLEM MACHINE NUMBER	35ppm(A4),37ppm(Letter)(CF)			1		
2	302SG34010	2SG34010	EMBLEM MACHINE NUMBER	35ppm(A4)(DF)				1	1
2	302S334010	2S334010	EMBLEM MACHINE NUMBER	40ppm(A4),42ppm(Letter)(A)			1	1	1
2	302SH34010	2SH34010	EMBLEM MACHINE NUMBER	40ppm(A4)(BF)				1	1
2	302S434010	2S434010	EMBLEM MACHINE NUMBER	40ppm(A4),42ppm(Letter)(CF)		1	1		
2	302S534010	2S534010	EMBLEM MACHINE NUMBER	40ppm(A4),42ppm(Letter)(DF)		1	1	1	1

• Parts with a Ref.No. of 500 and above in the illustration indicate they are not selected for service parts.

• イラスト中で 500 番台の Ref 番号が付いている部品はサービスパーツに選定されていません。

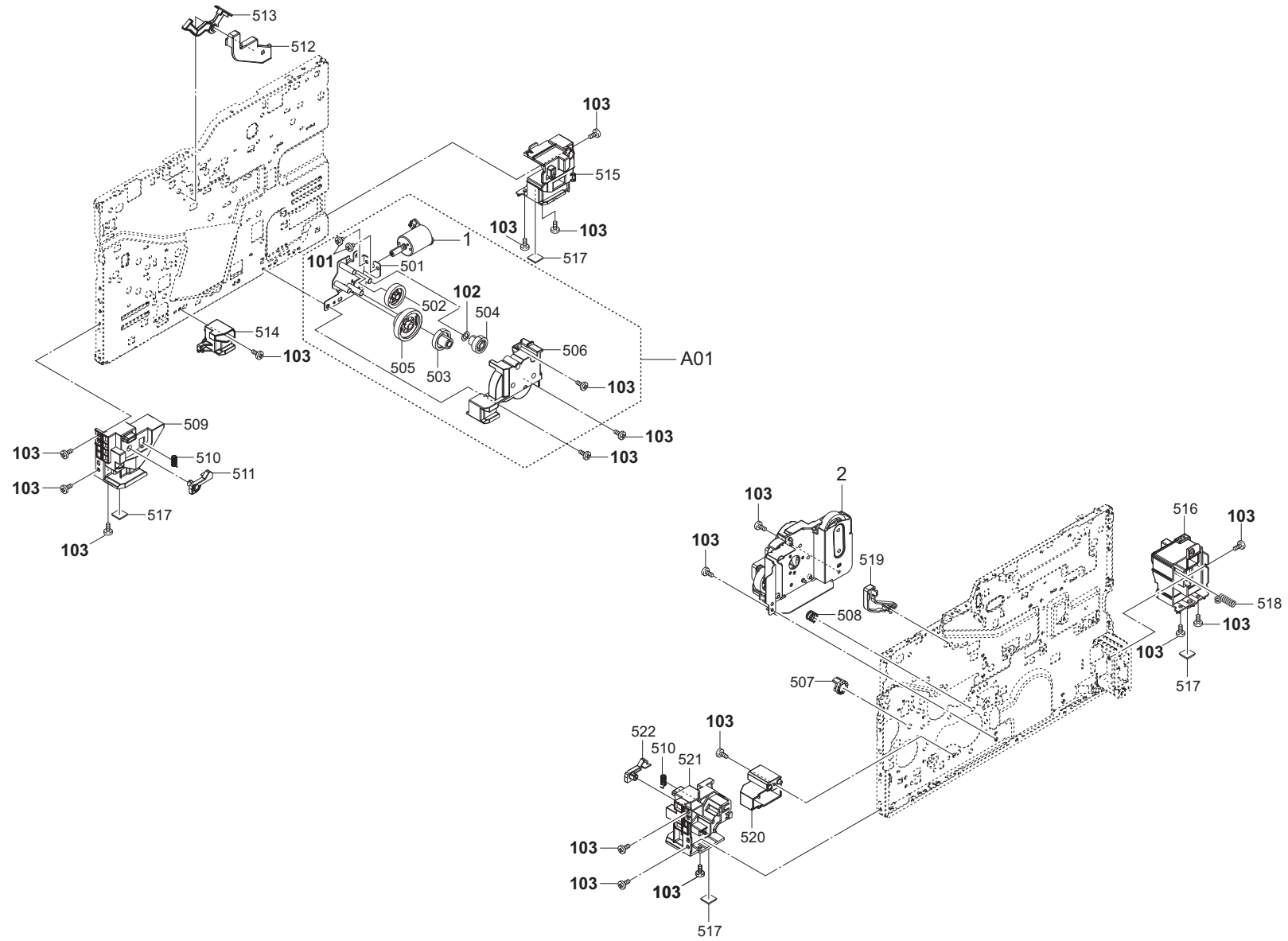


FIG. 6 Frame 1

2RV/2RW/2RX/2RY/2S0/2S1/2S2/2SG/2S3/2SH/2S4/2S5

Ref. No. 番号	Part.No. 部品番号	Alternative. 代替部品番号	Description 部品名称	Notes 備考	Revision 改訂	Quantity 個数			
						100(日本)	120	230	240
A01	302RV94030	2RV94030	PARTS DRIVE PRESS RELEASE ASSY SP			1	1	1	1
1	302RV94180	2RV94180	PARTS DC MOTOR ASSY SP			1	1	1	1
2	302RV94020	2RV94020	PARTS PLATE DRIVE FUSER ASSY SP			1	1	1	1
101	7BB000303H	BB107000	+BIND M SCREW 3X3						
102	7BC74064B015H01	BC119100	WAVE WASHER M6.4X11X0.15T						
103	7BB700308H	BB105600	+BIND T.T S SCREW 3X8 SR						

• Parts with a Ref.No. of 500 and above in the illustration indicate they are not selected for service parts.

・イラスト中で 500 番台の Ref 番号が付いている部品はサービスパーツに選定されていません。

FIG. 7 Frame 2 (MFP)

2RV/2RW/2RX/2RY/2S0/2S1/2S2/2SG/2S3/2SH/2S4/2S5

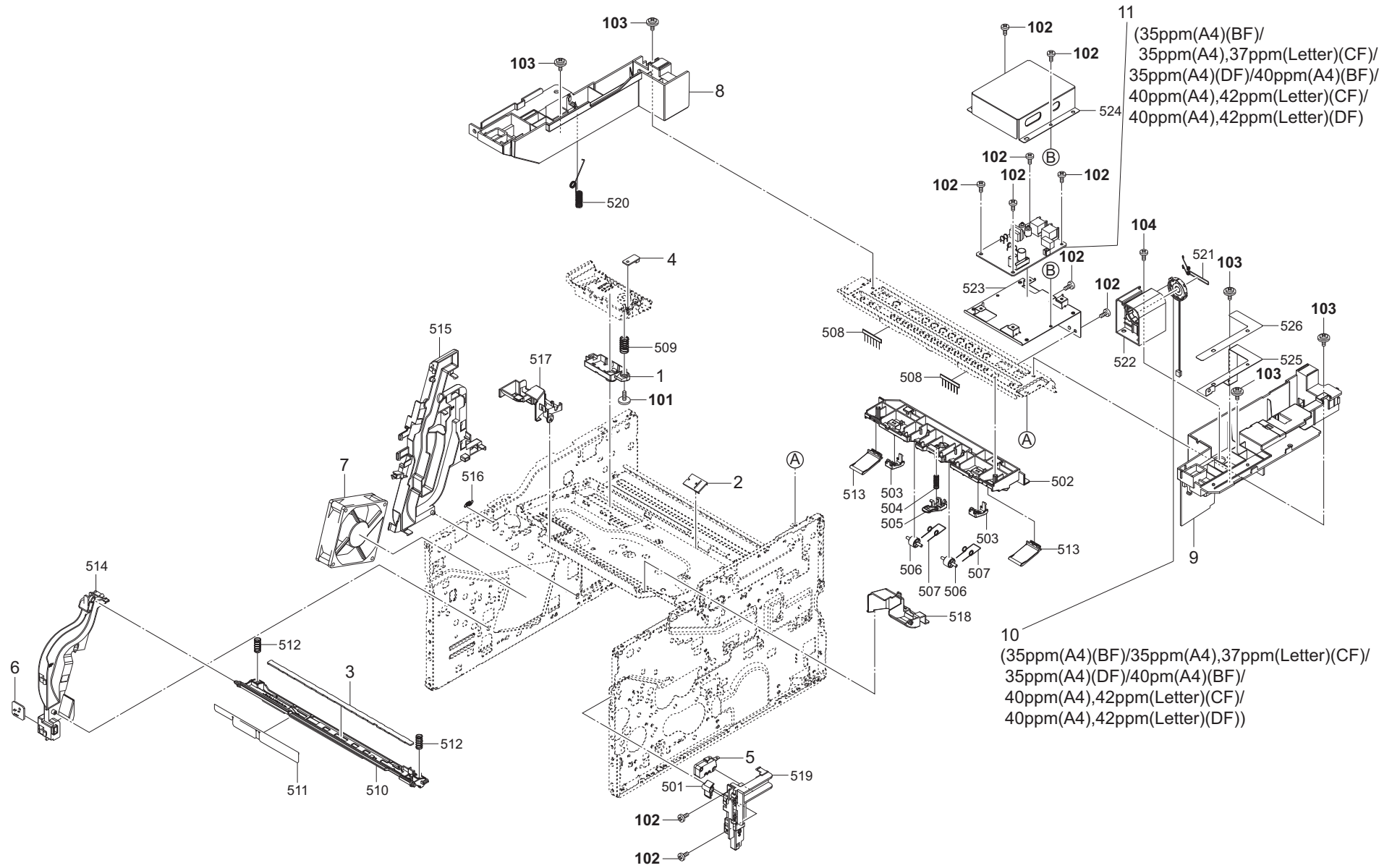


FIG. 7 Frame 2 (MFP)

2RV/2RW/2RX/2RY/2S0/2S1/2S2/2SG/2S3/2SH/2S4/2S5

Ref. No. 番号	Part.No. 部品番号	Alternative. 代替部品番号	Description 部品名称	Notes 備考	Revision 改訂	Quantity 個数			
						100 (日本)	120	230	240
1	302RV94140	2RV94140	PARTS PWB ASSY FULL SENSOR SP			1	1	1	1
2	302RH94110	2RH94110	PARTS THERMOPILE ASSY SP			1	1	1	1
3	302RV94110	2RV94110	PARTS PWB ERASER ASSY SP			1	1	1	1
4	302RV94150	2RV94150	PARTS PWB THERMISTOR ASSY SP			1	1	1	1
5	7SM010104+++H01	SM055200	SW.MICRO			1	1	1	1
6	302M294130	2M294130	PARTS PWB ASSY THERMISTOR SP			1	1	1	1
7	302NG94220	2NG94220	PARTS FAN MOTOR SP			1	1	1	1
8	302S004130	2S004130	STAY JOINT ISU L			1	1	1	1
9	302S004140	2S004140	STAY JOINT ISU R			1	1	1	1
10	302ND94790	2ND94790	PARTS SPEAKER SP	35ppm(A4)(BF)/35ppm(A4),37ppm(Letter)(CF)/ 35ppm(A4)(DF)/40ppm(A4)(BF)/40ppm,42ppm(Let- ter)(CF)/40ppm(A4),42ppm(Letter)(DF)		1	1	1	1
11	303PA94011	3PA94011	PARTS FAX UNIT E SP	35ppm(A4)(BF)/35ppm(A4)(DF)/40ppm(A4)(BF)/ 40ppm(A4),42ppm(Letter)(DF)				1	1
11	302R794340	2R794340	PARTS FAX UNIT U SP	35ppm(A4),37ppm(Letter)(CF)/40ppm(A4),42ppm(Let- ter)(CF)/40ppm(A4),42ppm(Letter)(DF)			1		
11	302R794330	2R794330	PARTS FAX UNIT J SP	40ppm(A4),42ppm(Letter)(CF)/40ppm(A4),42ppm(Let- ter)(DF)		1			
101	7BB202308H	BB105690	+TP-FLAT T.T P SCREW 3X8						
102	7BB700308H	BB105600	+BIND T.T S SCREW 3X8 SR						
103	7BB782308H	BB111300	+TP-FLAT T.T P SCREW 3X8(BLACK)						
104	7BB200308H	BB105660	+BIND T.T P SCREW 3X8						

• Parts with a Ref.No. of 500 and above in the illustration indicate they are not selected for service parts.

• イラスト中で 500 番台の Ref 番号が付いている部品はサービスパーツに選定されていません。

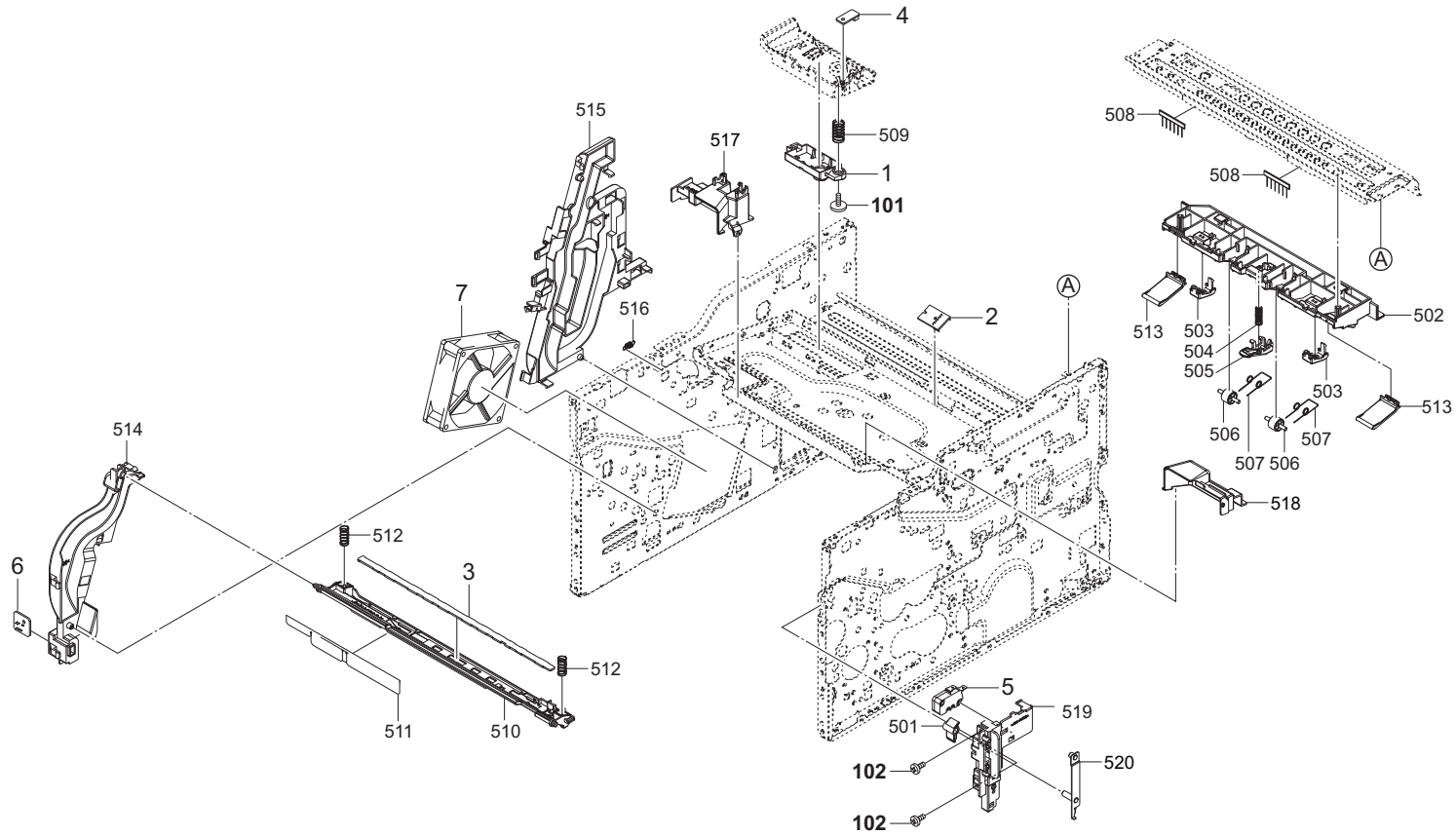


FIG. 8 Frame 3 (PRINTER)

2RV/2RW/2RX/2RY/2S0/2S1/2S2/2SG/2S3/2SH/2S4/2S5

Ref. No. 番号	Part.No. 部品番号	Alternative. 代替部品番号	Description 部品名称	Notes 備考	Revision 改訂	Quantity 個数			
						100(日本)	120	230	240
1	302RV94140	2RV94140	PARTS PWB ASSY FULL SENSOR SP			1	1	1	1
2	302RH94110	2RH94110	PARTS THERMOPILE ASSY SP			1	1	1	1
3	302RV94110	2RV94110	PARTS PWB ERASER ASSY SP			1	1	1	1
4	302RV94150	2RV94150	PARTS PWB THERMISTOR ASSY SP			1	1	1	1
5	7SM010104+++H01	SM055200	SW.MICRO			1	1	1	1
6	302M294130	2M294130	PARTS PWB ASSY THERMISTOR SP			1	1	1	1
7	302NG94220	2NG94220	PARTS FAN MOTOR SP			1	1	1	1
101	7BB202308H	BB105690	+TP-FLAT T.T P SCREW 3X8						
102	7BB700308H	BB105600	+BIND T.T S SCREW 3X8 SR						

• Parts with a Ref.No. of 500 and above in the illustration indicate they are not selected for service parts.

・イラスト中で 500 番台の Ref 番号が付いている部品はサービスパーツに選定されていません。



A01

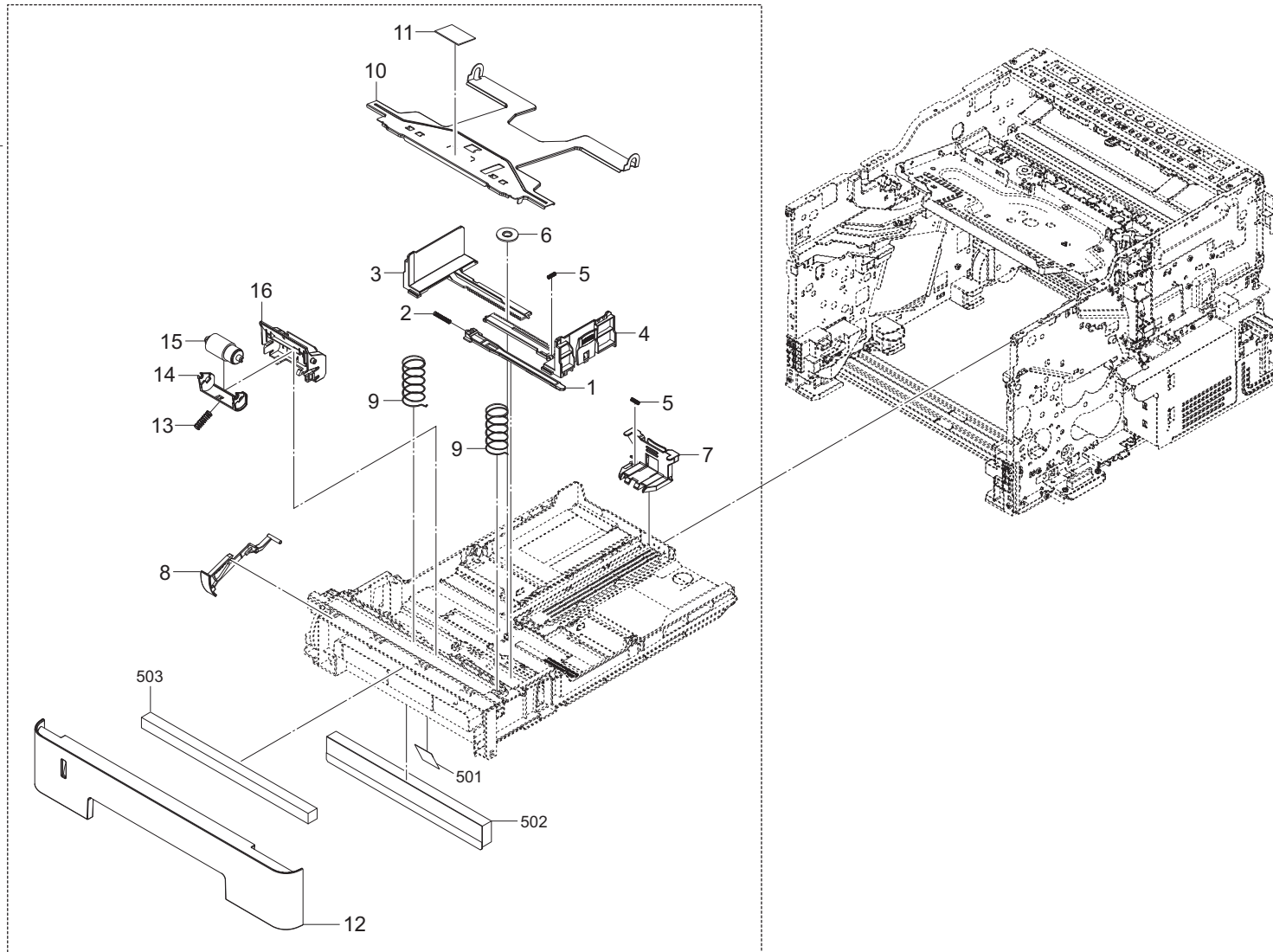


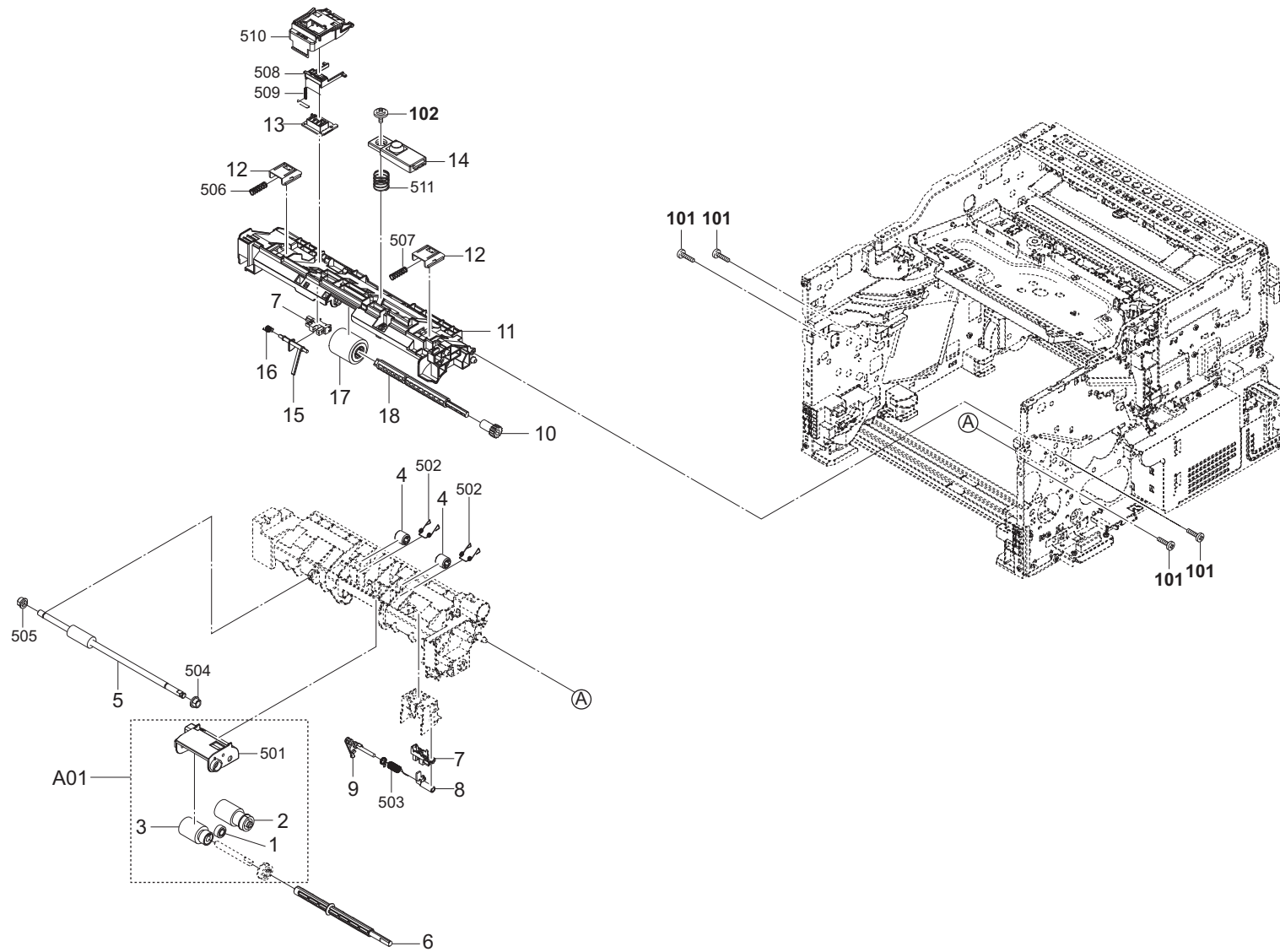
FIG. 9 Paper Cassette

2RV/2RW/2RX/2RY/2S0/2S1/2S2/2SG/2S3/2SH/2S4/2S5

Ref. No. 番号	Part.No. 部品番号	Alternative. 代替部品番号	Description 部品名称	Notes 備考	Revision 改訂	Quantity 個数			
						100(日本)	120	230	240
A01	302RV93090	2RV93090	CT-1150			1	1	1	1
1	.302RV09150	2RV09150	LOCK BOTTOM			1	1	1	1
2	.302RV09180	2RV09180	SPRING LOCK BOTTOM			1	1	1	1
3	.302RV09080	2RV09080	CURSOR LEFT			1	1	1	1
4	.302RV09090	2RV09090	CURSOR RIGHT			1	1	1	1
5	.3V2BS06100	2BS06100	SPRING END /3070P319 A4			2	2	2	2
6	.5MVG127DN071	2A807050	GEAR CASSETTE			1	1	1	1
7	.302RV09100	2RV09100	CURSOR END			1	1	1	1
8	.302RV09140	2RV09140	PAPER INDICATOR			1	1	1	1
9	.302RV09050	2RV09050	SPRING BOTTOM			2	2	2	2
10	.302RV09040	2RV09040	PLATE BOTTOM			1	1	1	1
11	.302F909210	2F909210	PAD BOTTOM			1	1	1	1
12	.302RV09030	2RV09030	COVER CASSETTE			1	1	1	1
13	.302RV09130	2RV09130	SPRING RETARD			1	1	1	1
14	.302RV09120	2RV09120	HOLDER RETARD			1	1	1	1
15	.302F909171	2F909171	RETARD ROLLER ASSY			1	1	1	1
16	.302RV09110	2RV09110	GUIDE RETARD			1	1	1	1

• Parts with a Ref.No. of 500 and above in the illustration indicate they are not selected for service parts.

• イラスト中で 500 番台の Ref 番号が付いている部品はサービスパーツに選定されていません。





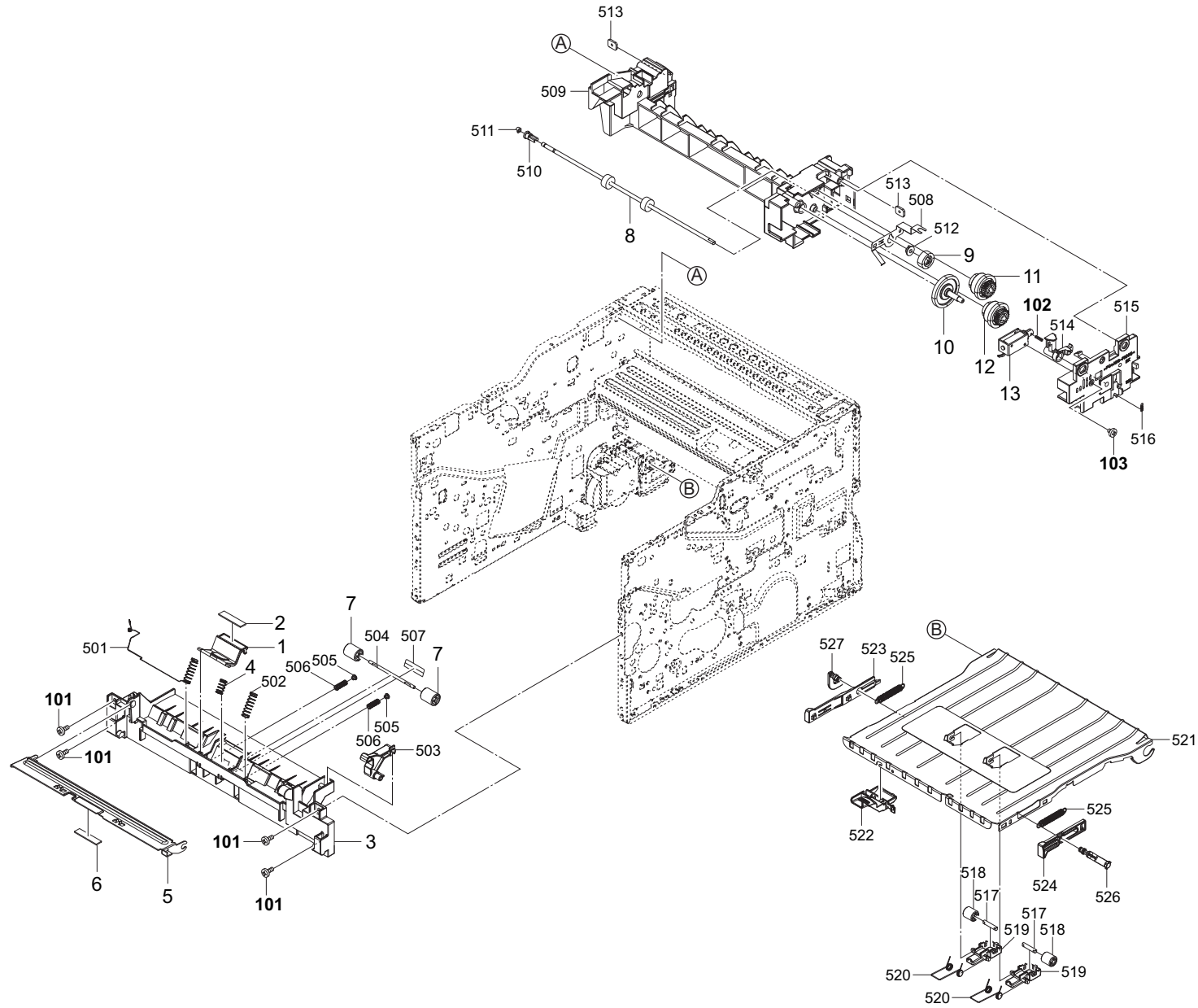


FIG. 11 Paper Feed Section 2

2RV/2RW/2RX/2RY/2S0/2S1/2S2/2SG/2S3/2SH/2S4/2S5

Ref. No. 番号	Part.No. 部品番号	Alternative. 代替部品番号	Description 部品名称	Notes 備考	Revision 改訂	Quantity 個数			
						100(日本)	120	230	240
1	3V2LV08070	2LV08070	HOLDER SEPARATION MPF			1	1	1	1
2	302R708310	2R708310	PAD SEPARATION			1	1	1	1
3	302RV08020	2RV08020	GUIDE TURN MPF			1	1	1	1
4	302LV08110	2LV08110	SPRING SEPARATION MPF			1	1	1	1
5	302LV08080	2LV08080	PLATE BOTTOM MPF			1	1	1	1
6	302F908310	2F908310	PAD FRICTION MPF			1	1	1	1
7	302F929260	2F929260	PULLEY DU LOW			2	2	2	2
8	302RV94260	2RV94260	PARTS ROLLER FD UP SP			1	1	1	1
9	302RV28130	2RV28130	GEAR Z21S			1	1	1	1
10	302M331100	2M331100	GEAR Z45S			1	1	1	1
11	302RV94060	2RV94060	PARTS GEAR YUUSEI B ASSY SP			1	1	1	1
12	302RV94050	2RV94050	PARTS GEAR YUUSEI A ASSY SP			1	1	1	1
13	302HN44150	2HN44150	SOLENOID FD ASSY			1	1	1	1
101	7BB700308H	BB105600	+BIND T.T S SCREW 3X8 SR						
102	7BP00251200JH01	BP145780	SPRING PIN 2.5X12						
103	7BB000304H	BB105720	+BIND M SCREW 3X4						

• Parts with a Ref.No. of 500 and above in the illustration indicate they are not selected for service parts.

・イラスト中で 500 番台の Ref 番号が付いている部品はサービスパーツに選定されていません。

FIG. 12 Paper Conveying Section

2RV/2RW/2RX/2RY/2S0/2S1/2S2/2SG/2S3/2SH/2S4/2S5

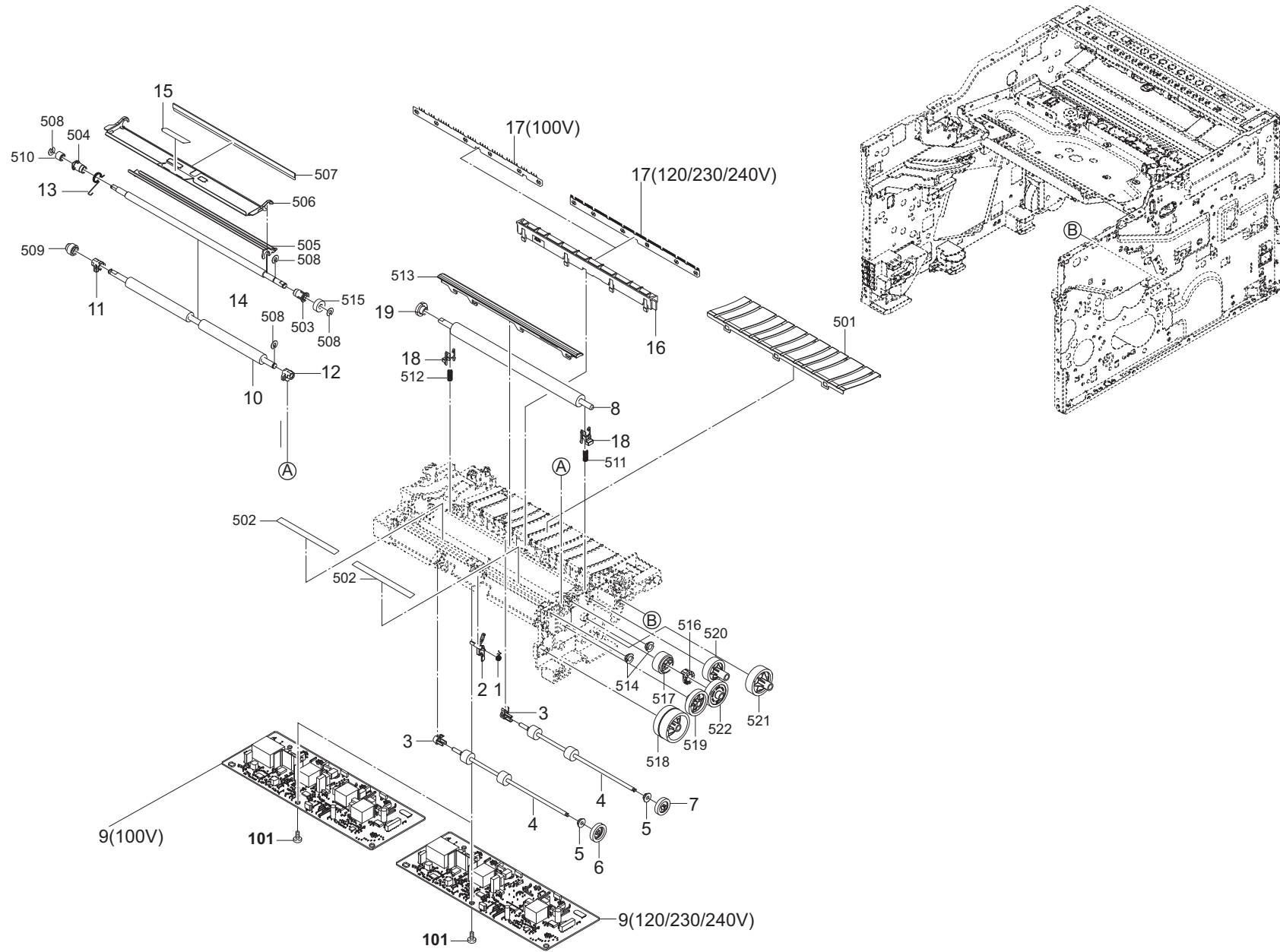


FIG. 12 Paper Conveying Section

2RV/2RW/2RX/2RY/2S0/2S1/2S2/2SG/2S3/2SH/2S4/2S5

Ref. No. 番号	Part.No. 部品番号	Alternative. 代替部品番号	Description 部品名称	Notes 備考	Revision 改訂	Quantity 個数			
						100(日本)	120	230	240
1	302RV24330	2RV24330	SPRING ACTUATOR REGIST			1	1	1	1
2	302RV24080	2RV24080	ACTUATOR REGIST			1	1	1	1
3	302RV24460	2RV24460	BUSH DU			2	2	2	2
4	302RV94270	2RV94270	PARTS ROLLER DU SP			2	2	2	2
5	3V2K306460	2K306460	BUSH 4			2	2	2	2
6	302RV29060	2RV29060	GEAR Z25L			1	1	1	1
7	302RV29070	2RV29070	GEAR Z23L			1	1	1	1
8	302LZ94060	2LZ94060	PARTS ROLLER TRANSFER E SP			1		1	1
8	302LZ94070	2LZ94070	PARTS ROLLER TRANSFER A SP				1		
9	302RV94190	2RV94190	PARTS UNIT HIGH VOLTAGE SP				1	1	1
9	302RV94200	2RV94200	PARTS UNIT HIGH VOLTAGE J SP			1			
10	302RV94250	2RV94250	PARTS ROLLER REGIST LOW SP			1	1	1	1
11	302RV24110	2RV24110	BUSH REGIST LOW L			1	1	1	1
12	302RV24120	2RV24120	BUSH REGIST LOW R			1	1	1	1
13	302RV24340	2RV24340	SPRING GUIDE REGIST			1	1	1	1
14	302RV94240	2RV94240	PARTS ROLLER REGIST UP SP			1	1	1	1
15	302RV34020	2RV34020	LABEL C			1	1	1	1
16	302RV24500	2RV24500	HOLDER DC BRUSH			1	1	1	1
17	302RV24190	2RV24190	BRUSH DISCHARGER				1	1	1
17	302RV24900	2RV24900	BRUSH DC DISCHARGER			1			
18	302HS24250	2HS24250	BUSH TC R			2	2	2	2
19	302RV24160	2RV24160	GEAR TRANS Z17L			1	1	1	1
101	7BB200308H	BB105660	+BIND T.T P SCREW 3X8						

• Parts with a Ref.No. of 500 and above in the illustration indicate they are not selected for service parts.

• イラスト中で 500 番の Ref 番号が付いている部品はサービスパーツに選定されていません。



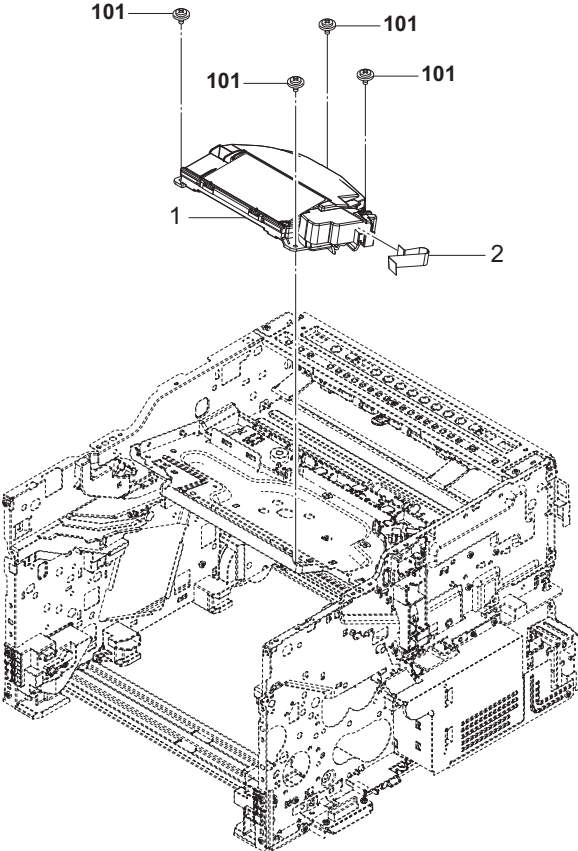


FIG. 13 Laser Scanner Section

2RV/2RW/2RX/2RY/2S0/2S1/2S2/2SG/2S3/2SH/2S4/2S5

Ref. No. 番号	Part.No. 部品番号	Alternative. 代替部品番号	Description 部品名称	Notes 備考	Revision 改訂	Quantity 個数			
						100(日本)	120	230	240
1	302RV93070	2RV93070	LK-1150			1	1	1	1
2	302RV46160	2RV46160	CONN.CORD ASSY FFC APC			1	1	1	1
101	7BB607306H	BB105770	+TP-CUP M SCREW 3X6 R						

• Parts with a Ref.No. of 500 and above in the illustration indicate they are not selected for service parts.

• イラスト中で 500 番台の Ref 番号が付いている部品はサービスパーツに選定されていません。

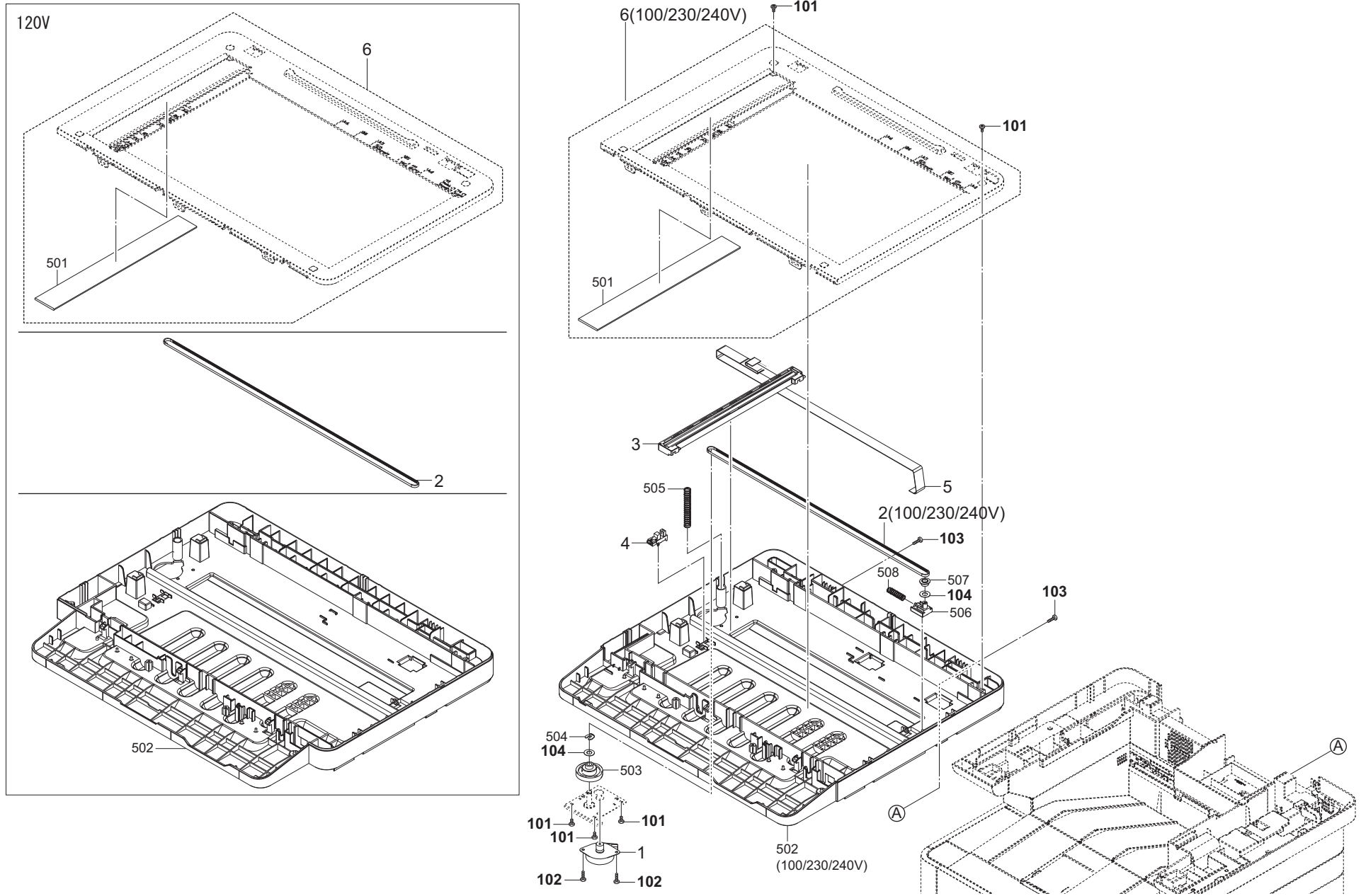


FIG. 14 Scanner Section

2RV/2RW/2RX/2RY/2S0/2S1/2S2/2SG/2S3/2SH/2S4/2S5

Ref. No. 番号	Part.No. 部品番号	Alternative. 代替部品番号	Description 部品名称	Notes 備考	Revision 改訂	Quantity 個数			
						100(日本)	120	230	240
1	302R794380	2R794380	PARTS MOTOR ISU SP			1	1	1	1
2	302S017340	2S017340	BELT ISU A			1		1	1
2	302H917230	2H917230	BELT ISU				1		
3	302R794320	2R794320	PARTS SENSOR A4 CIS SP			1	1	1	1
4	302P794010	2P794010	PARTS SENSOR OPT. SP			1	1	1	1
5	302S046020	2S046020	CONN.CORD ASSY FFC ISU			1	1	1	1
6	302S094030	2S094030	PARTS FRAME ISU TOP A ASSY SP			1		1	1
6	302S394010	2S394010	PARTS FRAME ISU TOP L ASSY SP				1		
101	7BB200308H	BB105660	+BIND T.T P SCREW 3X8						
102	7BB700308H	BB105600	+BIND T.T S SCREW 3X8 SR						
103	7BB200412H	BB105710	+BIND T.T P SCREW 4X12						
104	C2893960	C2893960	SHIM 6.2-13-0.13T						

• Parts with a Ref.No. of 500 and above in the illustration indicate they are not selected for service parts.

・イラスト中で 500 番台の Ref 番号が付いている部品はサービスパーツに選定されていません。

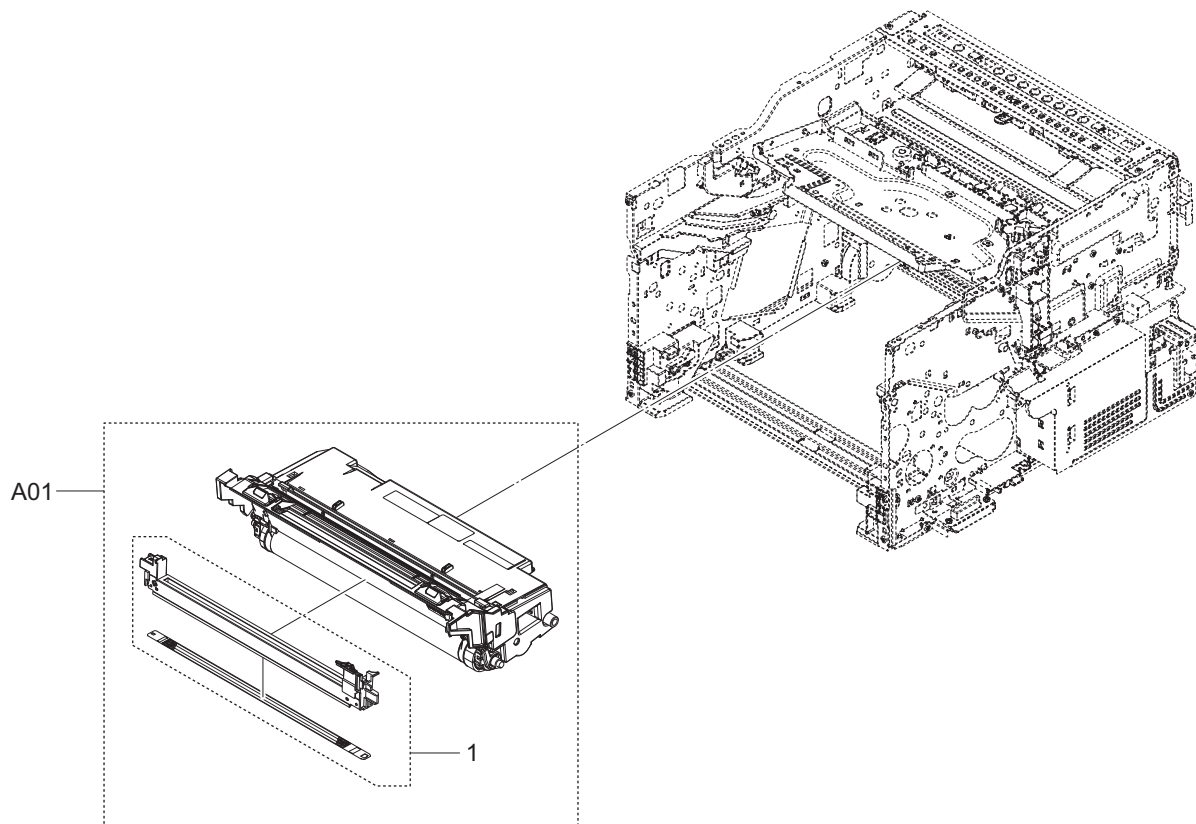


FIG. 15 Image Formation Section 1

2RV/2RW/2RX/2RY/2S0/2S1/2S2/2SG/2S3/2SH/2S4/2S5

Ref. No. 番号	Part.No. 部品番号	Alternative. 代替部品番号	Description 部品名称	Notes 備考	Revision 改訂	Quantity 個数			
						100(日本)	120	230	240
A01 1	302RV93010	2RV93010	DK-1150			1	1	1	1
	302RV93080	2RV93080	MC-1150			1	1	1	1

• Parts with a Ref.No. of 500 and above in the illustration indicate they are not selected for service parts.

• イラスト中で 500 番台の Ref 番号が付いている部品はサービスパーツに選定されていません。

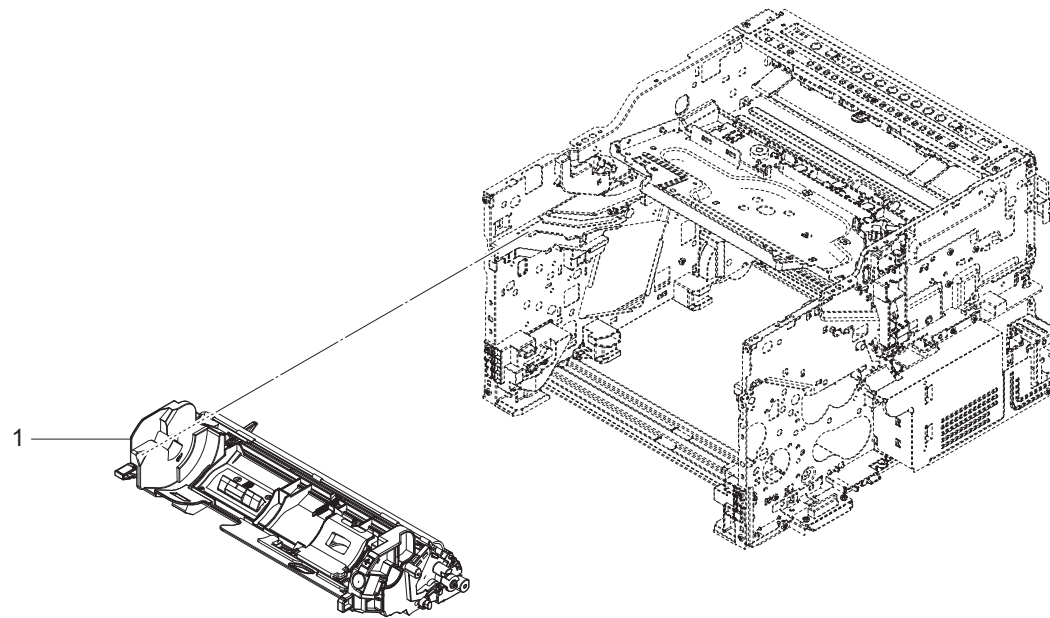


FIG. 16 Image Formation Section 2

2RV/2RW/2RX/2RY/2S0/2S1/2S2/2SG/2S3/2SH/2S4/2S5

Ref. No. 番号	Part.No. 部品番号	Alternative. 代替部品番号	Description 部品名称	Notes 備考	Revision 改訂	Quantity 個数			
						100(日本)	120	230	240
1	302RV93020	2RV93020	DV-1150					1	
1	302RV93030	2RV93030	DV-1152						
1	302RY93010	2RY93010	DV-1151			1	1		
1	302RV93040	2RV93040	DV-1154						1

• Parts with a Ref.No. of 500 and above in the illustration indicate they are not selected for service parts.

• イラスト中で 500 番台の Ref 番号が付いている部品はサービスパーツに選定されていません。



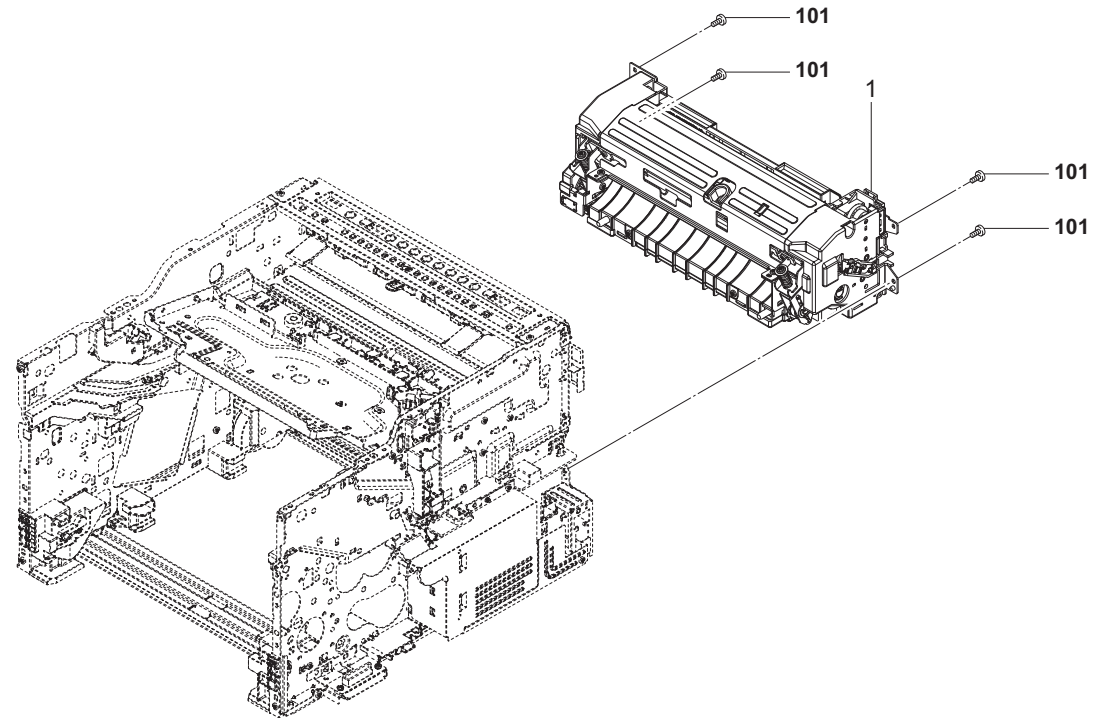


FIG. 17 Fuser Section

2RV/2RW/2RX/2RY/2S0/2S1/2S2/2SG/2S3/2SH/2S4/2S5

Ref. No. 番号	Part.No. 部品番号	Alternative. 代替部品番号	Description 部品名称	Notes 備考	Revision 改訂	Quantity 個数			
						100(日本)	120	230	240
1	302RV93050	2RV93050	FK-1150					1	1
1	302RV93060	2RV93060	FK-1152					1	
1	302RY93020	2RY93020	FK-1151			1			
101	7BB700308H	BB105600	+BIND T.T S SCREW 3X8 SR						

• Parts with a Ref.No. of 500 and above in the illustration indicate they are not selected for service parts.

• イラスト中で 500 番台の Ref 番号が付いている部品はサービスパーツに選定されていません。

FIG. 18 Drive Section

2RV/2RW/2RX/2RY/2S0/2S1/2S2/2SG/2S3/2SH/2S4/2S5

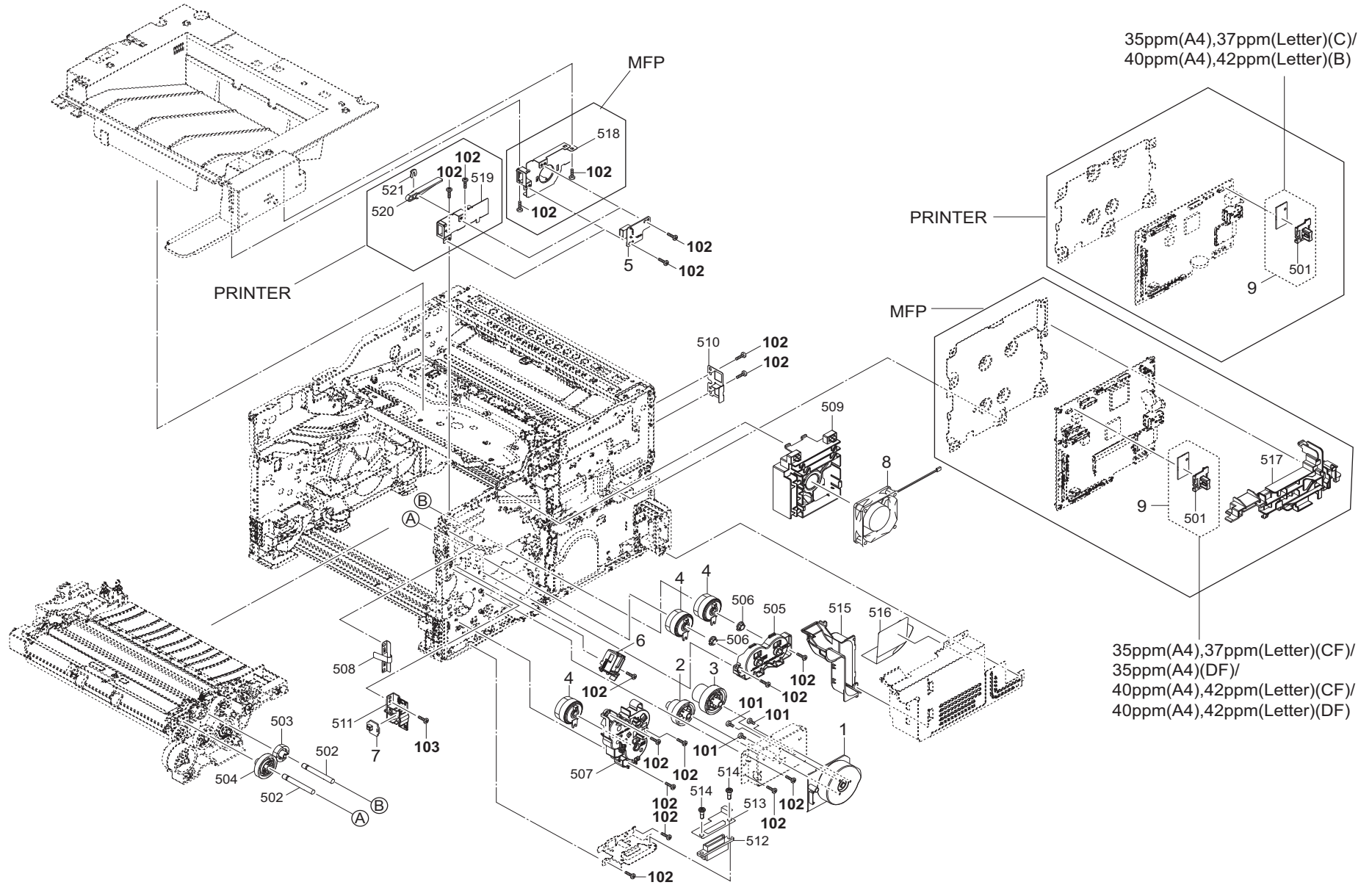


FIG. 18 Drive Section

2RV/2RW/2RX/2RY/2S0/2S1/2S2/2SG/2S3/2SH/2S4/2S5

Ref. No. 番号	Part.No. 部品番号	Alternative. 代替部品番号	Description 部品名称	Notes 備考	Revision 改訂	Quantity 個数			
						100(日本)	120	230	240
1	302LC94283	2LC94283	PARTS MOTOR-BL W40 SP			1	1	1	1
2	302RV31080	2RV31080	GEAR Z61R-Z25R			1	1	1	1
3	302RV31040	2RV31040	GEAR Z69R-Z26L			1	1	1	1
4	302NR94010	2NR94010	PARTS CLUTCH 35 Z35R SP			3	3	3	3
5	302RV94120	2RV94120	PARTS PWB FRONT USB ASSY SP			1	1	1	1
6	302HN44160	2HN44160	SOLENOID MPF			1	1	1	1
7	302RV94130	2RV94130	PARTS PWB SWITCH ASSY SP			1	1	1	1
8	302FZ94420	2FZ94420	PARTS,FAN COOLING CONVEYING SP			1	1	1	1
9	302R794010	2R794010	PARTS WIFI UNIT SP	35ppm(A4),37ppm(Letter)(C)/40ppm(A4),42ppm(Letter)(B)/35ppm(A4),37ppm(Letter)(CF)/35ppm(A4)(DF)/40ppm(A4),42ppm(Letter)(CF)/40ppm(A4),42ppm(Letter)(DF)		1	1	1	1
101	7BB000304H	BB105720	+BIND M SCREW 3X4						
102	7BB700308H	BB105600	+BIND T.T S SCREW 3X8 SR						
103	7BB200308H	BB105660	+BIND T.T P SCREW 3X8						

• Parts with a Ref.No. of 500 and above in the illustration indicate they are not selected for service parts.

• イラスト中で 500 番台の Ref 番号が付いている部品はサービスパーツに選定されていません。

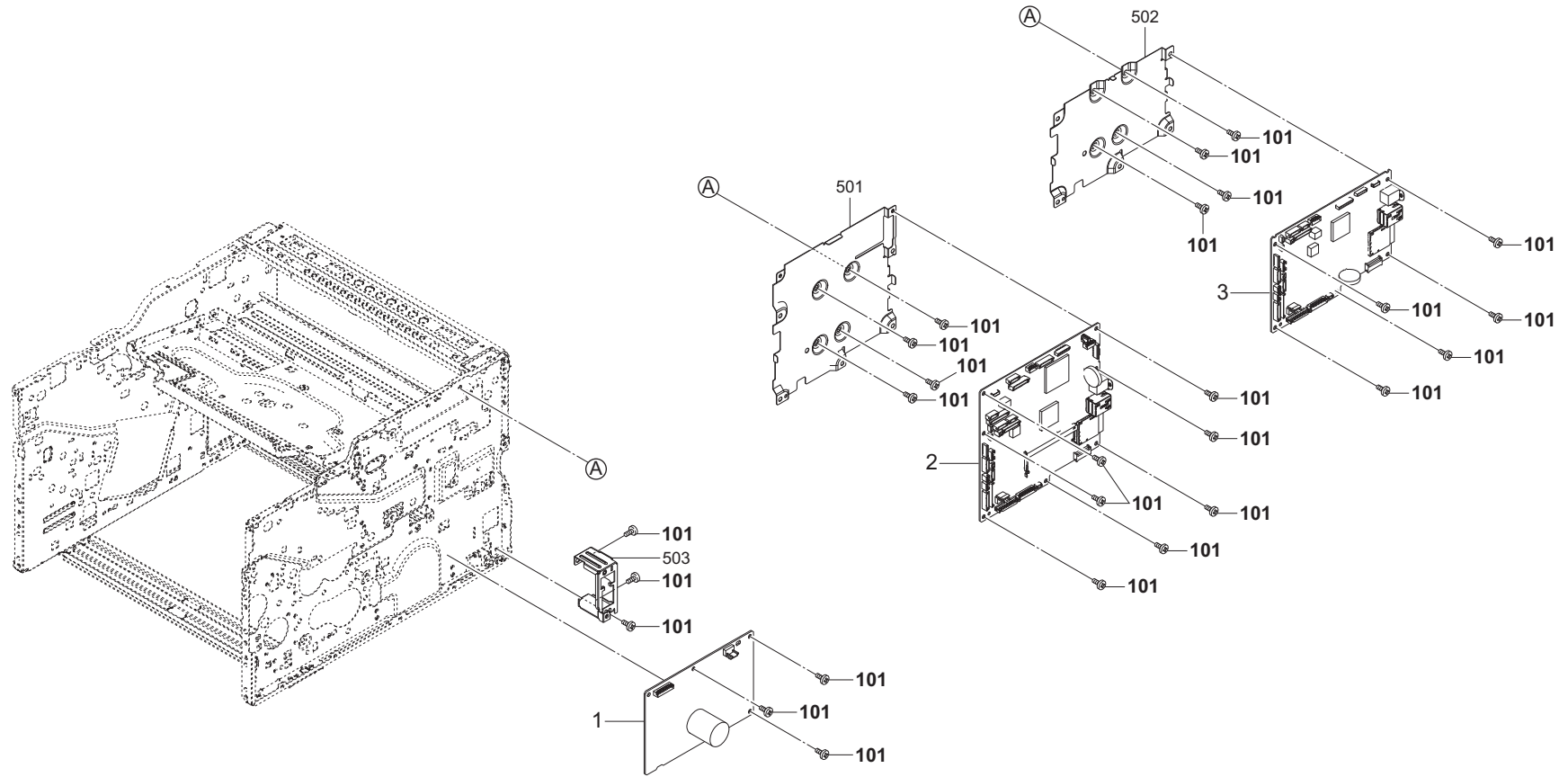


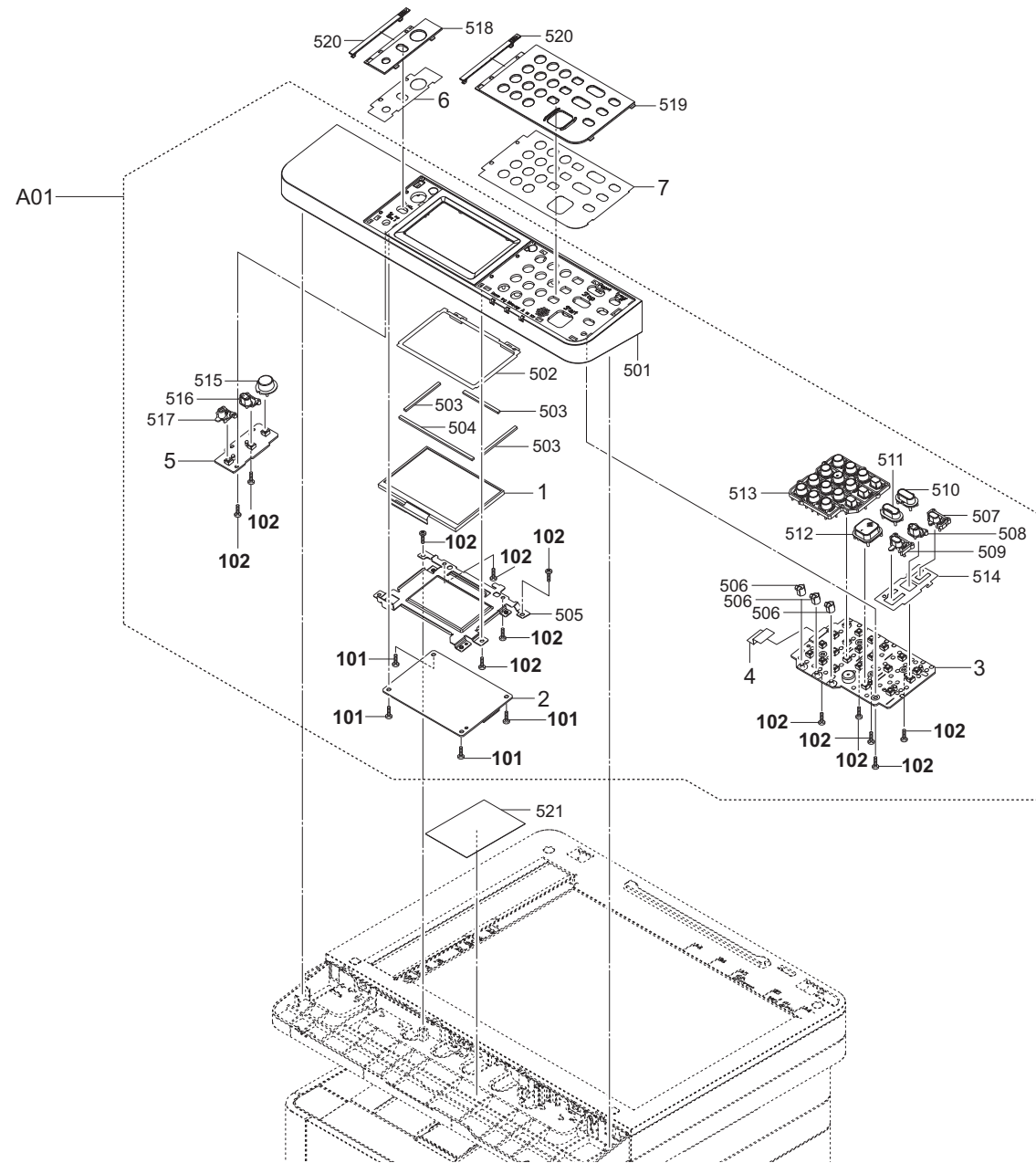
FIG. 19 Electrical Components

2RV/2RW/2RX/2RY/2S0/2S1/2S2/2SG/2S3/2SH/2S4/2S5

Ref. No. 番号	Part.No. 部品番号	Alternative. 代替部品番号	Description 部品名称	Notes 備考	Revision 改訂	Quantity 個数			
						100(日本)	120	230	240
1	302S094090	2S094090	PARTS UNIT LOW VOLTAGE 100V SP	for MFP		1	1		
1	302S094100	2S094100	PARTS UNIT LOW VOLTAGE 230V SP	for MFP					
1	302RV94210	2RV94210	PARTS UNIT LOW VOLTAGE 100V SP	for PRINTER		1	1	1	1
1	302RV94220	2RV94220	PARTS UNIT LOW VOLTAGE 230V SP	for PRINTER				1	1
2	302S094060	2S094060	PARTS PWB MAIN ENGINE ASSY SP	35ppm(A4),37ppm(Letter)(A)			1		1
2	302S094070	2S094070	PARTS PWB MAIN ENGINE ASSY EU SP	35ppm(A4),37ppm(Letter)(A)				1	
2	302S194020	2S194020	PARTS PWB MAIN ENGINE ASSY SP	35ppm(A4)(BF)					1
2	302S194030	2S194030	PARTS PWB MAIN ENGINE ASSY EU SP	35ppm(A4)(BF)				1	
2	302S294020	2S294020	PARTS PWB MAIN ENGINE ASSY SP	35ppm(A4),37ppm(Letter)(CF)			1		
2	302SG94010	2SG94010	PARTS PWB MAIN ENGINE ASSY SP	35ppm(A4)(DF)					1
2	302SG94020	2SG94020	PARTS PWB MAIN ENGINE ASSY EU SP	35ppm(A4)(DF)				1	
2	302S394020	2S394020	PARTS PWB MAIN ENGINE ASSY SP	40ppm(A4),42ppm(Letter)(A)			1		1
2	302S394030	2S394030	PARTS PWB MAIN ENGINE ASSY EU SP	40ppm(A4),42ppm(Letter)(A)				1	
2	302SH94010	2SH94010	PARTS PWB MAIN ENGINE ASSY EU SP	40ppm(A4)(BF)				1	
2	302S494010	2S494010	PARTS PWB MAIN ENGINE ASSY SP	40ppm(A4),42ppm(Letter)(CF)		1	1		
2	302S594020	2S594020	PARTS PWB MAIN ENGINE ASSY SP	40ppm(A4),42ppm(Letter)(DF)		1	1		1
2	302S594030	2S594030	PARTS PWB MAIN ENGINE ASSY EU SP	40ppm(A4),42ppm(Letter)(DF)				1	
3	302RV94080	2RV94080	PARTS PWB MAIN ENGINE ASSY SP	35ppm(A4),37ppm(Letter)(B)			1		1
3	302RV94090	2RV94090	PARTS PWB MAIN ENGINE ASSY EU SP	35ppm(A4),37ppm(Letter)(B)				1	
3	302RW94010	2RW94010	PARTS PWB MAIN ENGINE ASSY SP	35ppm(A4),37ppm(Letter)(C)			1		1
3	302RW94020	2RW94020	PARTS PWB MAIN ENGINE ASSY EU SP	35ppm(A4),37ppm(Letter)(C)				1	
3	302RX94010	2RX94010	PARTS PWB MAIN ENGINE ASSY SP	40ppm(A4)(A)					1
3	302RX94020	2RX94020	PARTS PWB MAIN ENGINE ASSY EU SP	40ppm(A4)(A)				1	
3	302RY94010	2RY94010	PARTS PWB MAIN ENGINE ASSY SP	40ppm(A4),42ppm(Letter)(B)		1	1		1
3	302RY94020	2RY94020	PARTS PWB MAIN ENGINE ASSY EU SP	40ppm(A4),42ppm(Letter)(B)				1	
101	7BB700308H	BB105600	+BIND T.T S SCREW 3X8 SR						

• Parts with a Ref.No. of 500 and above in the illustration indicate they are not selected for service parts.

• イラスト中で 500 番の Ref 番号が付いている部品はサービスパーツに選定されていません。



Ref. No. 番号	Part.No. 部品番号	Alternative. 代替部品番号	Description 部品名称	Notes 備考	Revision 改訂	Quantity 個数			
						100(日本)	120	230	240
A01	302S594010	2S594010	PARTS OPERATION ASSY SP			1	1	1	1
1	.302K394171	2K394171	PARTS LCD COLOR S			1	1	1	1
2	.302S594040	2S594040	PARTS PWB PANEL MAIN ASSY SP			1	1	1	1
3	.302R794220	2R794220	PARTS PWB KEY RIGHT ASSY SP			1	1	1	1
4	.302S546050	2S546050	CONN.CORD ASSY FFC KEY RIGHT			1	1	1	1
5	.302R794250	2R794250	PARTS PWB KEY LEFT ASSY SP			1	1	1	1
6	302S505710	2S505710	LABEL OPERATION T LEFT EN				1	1	1
6	302S505720	2S505720	LABEL OPERATION T LEFT JP			1			
7	302S505510	2S505510	LABEL OPERATION T RIGHT EN				1	1	1
7	302S505520	2S505520	LABEL OPERATION T RIGHT JP			1			
101	7BB700308H	BB105600	+BIND T.T S SCREW 3X8 SR						
102	7BB200308H	BB105660	+BIND T.T P SCREW 3X8						

• Parts with a Ref.No. of 500 and above in the illustration indicate they are not selected for service parts.

• イラスト中で 500 番台の Ref 番号が付いている部品はサービスパーツに選定されていません。



FIG. 21 Operation Section 2 (MFP;35ppm(A4),37ppm(Letter)(A)/35ppm(A4)(BF)/  
35ppm(A4),37ppm(Letter)(CF)/40ppm(A4),42ppm(Letter)(A)/40ppm(A4)(BF)/  
40ppm(A4),42ppm(Letter)(CF))

2RV/2RW/2RX/2RY/2S0/2S1/2S2/2SG/2S3/2SH/2S4/2S5

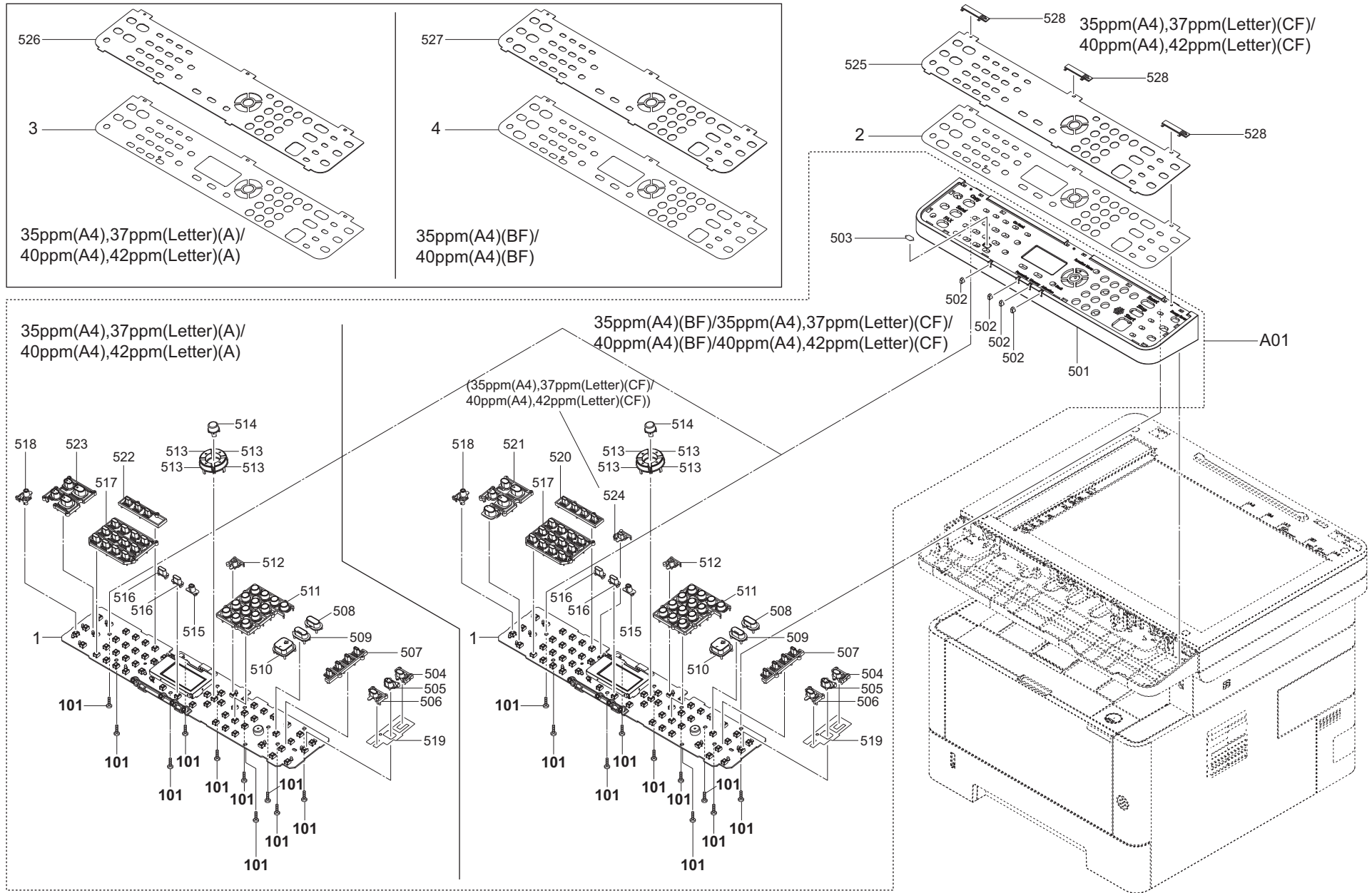


FIG. 21 Operation Section 2 (MFP;35ppm(A4),37ppm(Letter)(A)/35ppm(A4)(BF)/  
35ppm(A4),37ppm(Letter)(CF)/40ppm(A4),42ppm(Letter)(A)/40ppm(A4)(BF)/  
40ppm(A4),42ppm(Letter)(CF))

2RV/2RW/2RX/2RY/2S0/2S1/2S2/2SG/2S3/2SH/2S4/2S5

Ref. No. 番号	Part.No. 部品番号	Alternative. 代替部品番号	Description 部品名称	Notes 備考	Revision 改訂	Quantity 個数			
						100(日本)	120	230	240
A01	302S294010	2S294010	PARTS OPERATION ASSY SP	35ppm(A4),37ppm(Letter)(CF)/40ppm(A4),42ppm(Letter)(CF)		1	1		
A01	302S194010	2S194010	PARTS OPERATION ASSY SP	35ppm(A4)(BF)/40ppm(A4)(BF)				1	1
A01	302S094040	2S094040	PARTS OPERATION ASSY SP	35ppm(A4),37ppm(Letter)(A)/40ppm(A4),42ppm(Letter)(A)			1	1	1
1	302S094080	2S094080	PARTS PWB M PANEL ASSY SP			1	1	1	1
2	302S205510	2S205510	LABEL OPERATION LCD 4 W EN	35ppm(A4),37ppm(Letter)(CF)/40ppm(A4),42ppm(Letter)(CF)			1		
2	302S205520	2S205520	LABEL OPERATION LCD 4 W JP	40ppm(A4),42ppm(Letter)(CF)		1			
3	302S005510	2S005510	LABEL OPERATION LCD EN	35ppm(A4),37ppm(Letter)(A)/40ppm(A4),42ppm(Letter)(A)			1	1	
4	302S105510	2S105510	LABEL OPERATION LCD 4 EN	35ppm(A4)(BF)/40ppm(A4)(BF)				1	1
101	7BB200308H	BB105660	+BIND T.T P SCREW 3X8						

• Parts with a Ref.No. of 500 and above in the illustration indicate they are not selected for service parts.

• イラスト中で 500 番台の Ref 番号が付いている部品はサービスパーツに選定されていません。

FIG. 22 Operation Section 3 (PRINTER)

2RV/2RW/2RX/2RY/2S0/2S1/2S2/2SG/2S3/2SH/2S4/2S5

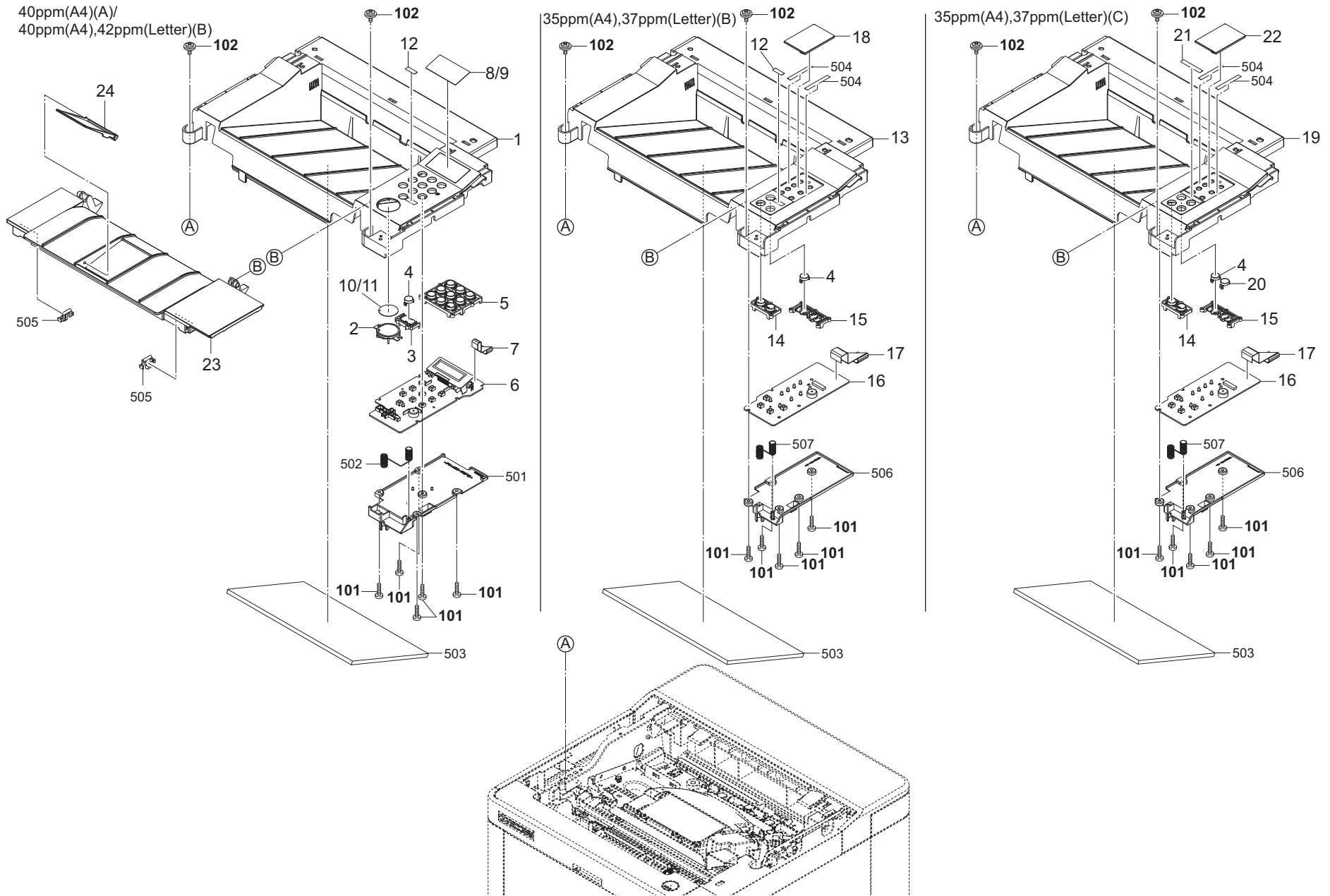


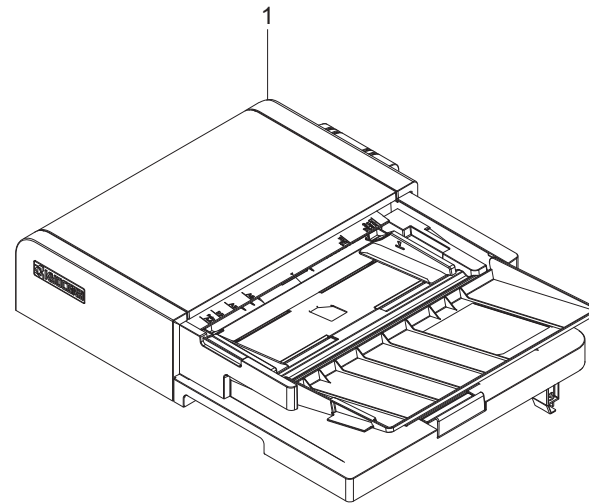
FIG. 22 Operation Section 3 (PRINTER)

2RV/2RW/2RX/2RY/2S0/2S1/2S2/2SG/2S3/2SH/2S4/2S5

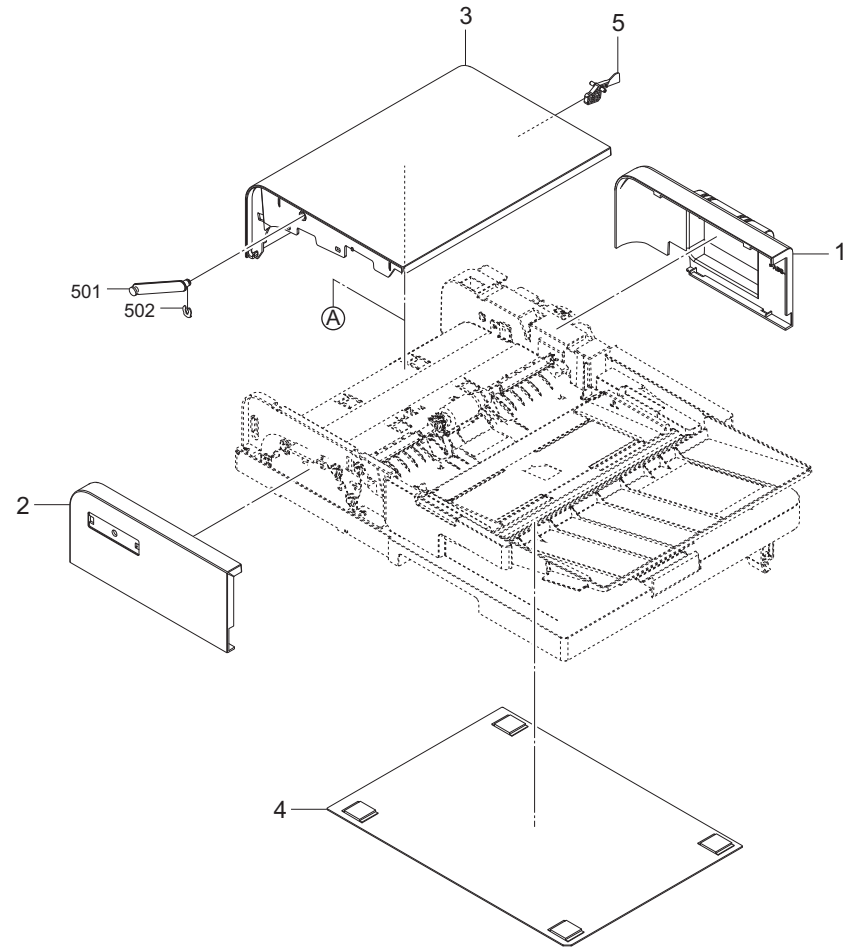
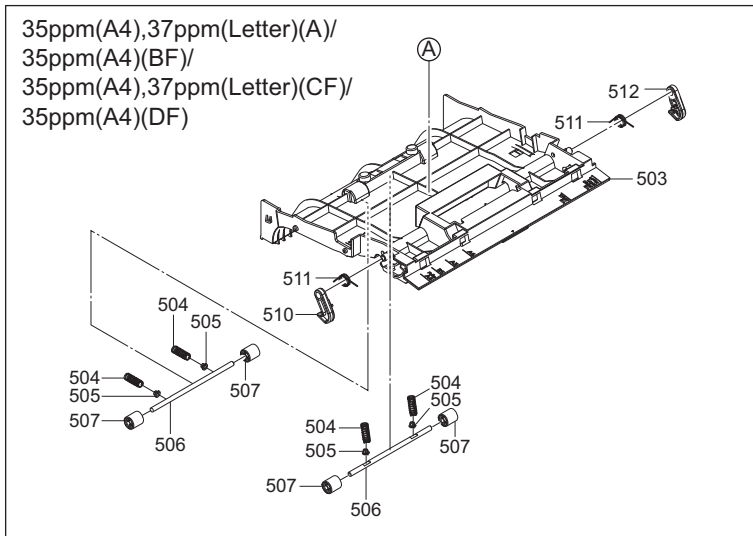
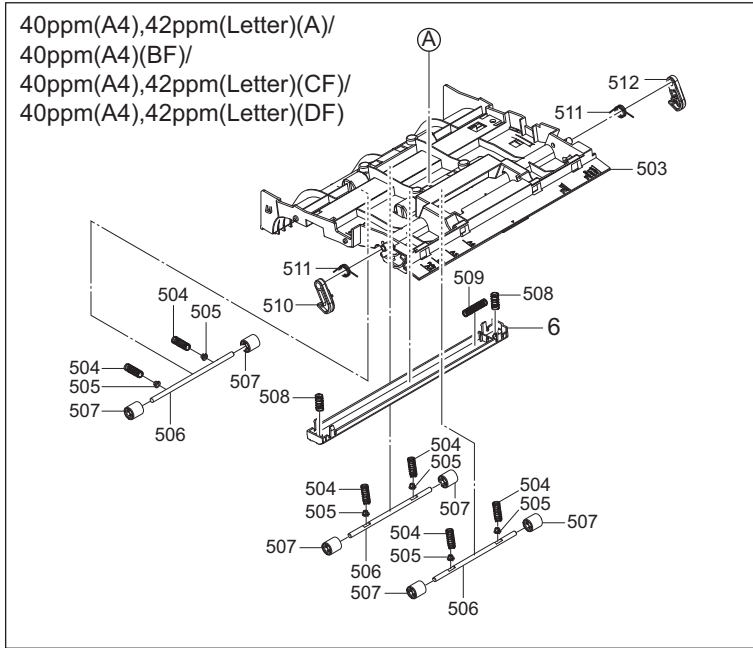
Ref. No. 番号	Part.No. 部品番号	Alternative. 代替部品番号	Description 部品名称	Notes 備考	Revision 改訂	Quantity 個数			
						100 (日本)	120	230	240
1	302RX04010	2RX04010	COVER TOP	40ppm(A4)(A)/40ppm(A4),42ppm(Letter)(B)		1	1	1	1
2	302RB05040	2RB05040	INDICATOR	40ppm(A4)(A)/40ppm(A4),42ppm(Letter)(B)		1	1	1	1
3	302RB05030	2RB05030	KEY QUIET A	40ppm(A4)(A)/40ppm(A4),42ppm(Letter)(B)		1	1	1	1
4	302RB05100	2RB05100	KEY QUIET B			1	1	1	1
5	302RB05020	2RB05020	KEY OPERATION	40ppm(A4)(A)/40ppm(A4),42ppm(Letter)(B)			1	1	1
5	302RB05140	2RB05140	KEY OPERATION JP	40ppm(A4),42ppm(Letter)(B)		1			
6	302RX94030	2RX94030	PARTS PWB P PANEL ASSY SP	40ppm(A4)(A)/40ppm(A4),42ppm(Letter)(B)		1	1	1	1
7	302RX46010	2RX46010	CONN.CORD ASSY FFC PANEL	40ppm(A4)(A)/40ppm(A4),42ppm(Letter)(B)		1	1	1	1
8	302RX05070	2RX05070	PANEL LCD	40ppm(A4)(A)				1	1
9	302RY05010	2RY05010	PANEL LCD W	40ppm(A4),42ppm(Letter)(B)		1	1	1	1
10	302RC34010	2RC34010	LABEL INDICATOR	40ppm(A4)(A)				1	1
11	302RB34010	2RB34010	LABEL INDICATOR W	40ppm(A4),42ppm(Letter)(B)		1	1	1	1
12	302RB34020	2RB34020	LABEL QUIET MODE EN	35ppm(A4),37ppm(Letter)(B)/40ppm(A4)(A)/ 40ppm(A4),42ppm(Letter)(B)			1	1	1
12	302RB34030	2RB34030	LABEL QUIET MODE JP	40ppm(A4),42ppm(Letter)(B)		1			
13	302RV04010	2RV04010	COVER TOP	35ppm(A4),37ppm(Letter)(B)			1	1	1
14	302RV05010	2RV05010	KEY GO-CANCEL	35ppm(A4),37ppm(Letter)(B)/35ppm(A4),37ppm(Letter)(C)			1	1	1
15	302RV05020	2RV05020	KEY QUIET-WIFI	35ppm(A4),37ppm(Letter)(B)/35ppm(A4),37ppm(Letter)(C)			1	1	1
16	302RV94100	2RV94100	PARTS PWB L PANEL ASSY SP	35ppm(A4),37ppm(Letter)(B)/35ppm(A4),37ppm(Letter)(C)			1	1	1
17	302RV46180	2RV46180	CONN.CORD ASSY FFC PANEL	35ppm(A4),37ppm(Letter)(B)/35ppm(A4),37ppm(Letter)(C)			1	1	1
18	302RV05030	2RV05030	COVER LED	35ppm(A4),37ppm(Letter)(B)			1	1	1
19	302RW04010	2RW04010	COVER TOP	35ppm(A4),37ppm(Letter)(C)			1	1	1
20	302RV05090	2RV05090	KEY WIFI	35ppm(A4),37ppm(Letter)(C)			1	1	1
21	302RW34010	2RW34010	LABEL QUIET-WIFI	35ppm(A4),37ppm(Letter)(C)			1	1	1
22	302RW05020	2RW05020	COVER LED	35ppm(A4),37ppm(Letter)(C)			1	1	1
23	302RV04020	2RV04020	LID TOP			1	1	1	1
24	302RV04220	2RV04220	STOPPER			1	1	1	1
101	7BB200312H	BB105680	+BIND T.T P SCREW 3X12						
102	7BB782308H	BB111300	+TP-FLAT T.T S SCREW 3X8 SR(BLACK)						

• Parts with a Ref.No. of 500 and above in the illustration indicate they are not selected for service parts.

• イラスト中で 500 番台の Ref 番号が付いている部品はサービスパーツに選定されていません。











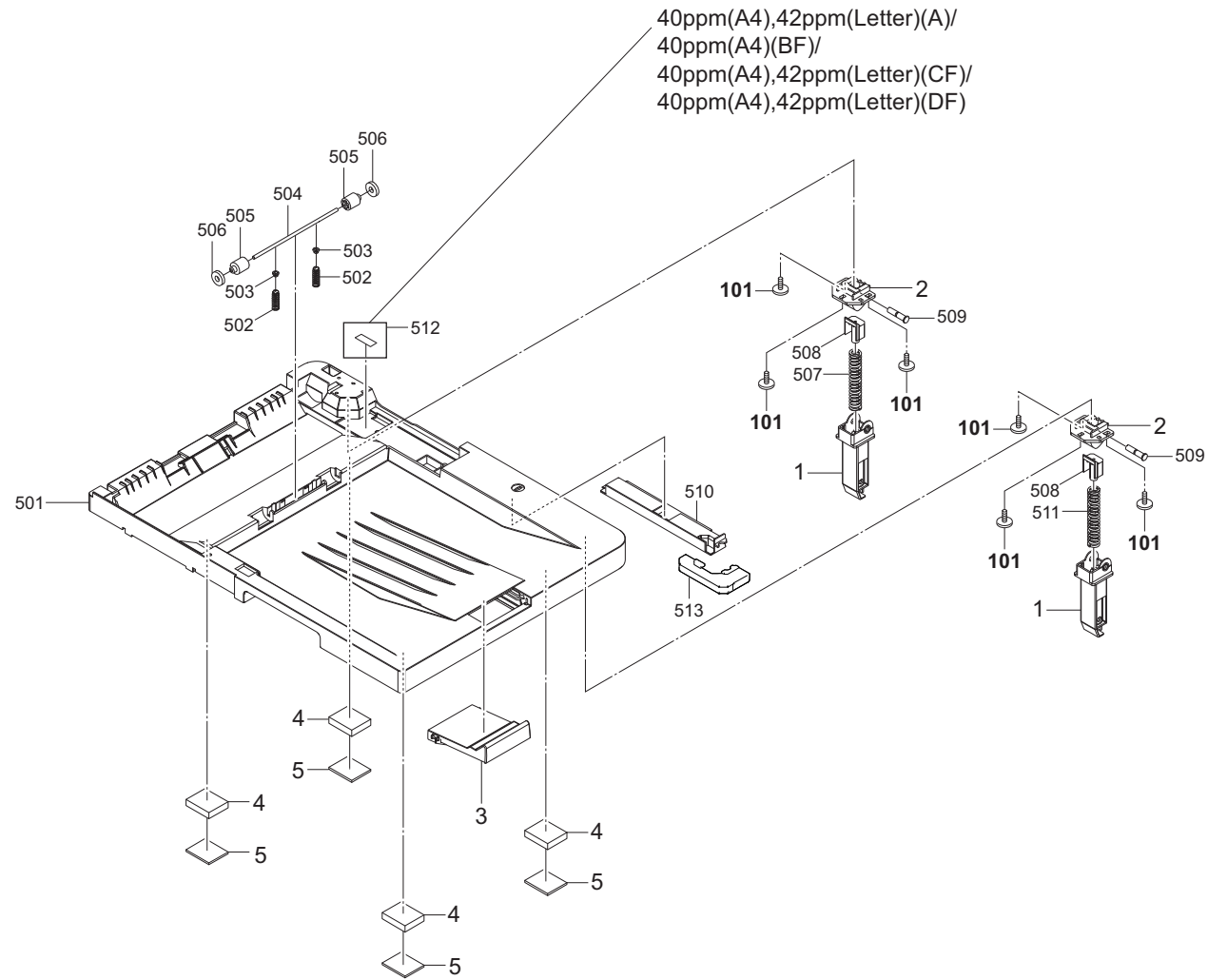


FIG. 25 DP Frame

2RV/2RW/2RX/2RY/2S0/2S1/2S2/2SG/2S3/2SH/2S4/2S5

Ref. No. 番号	Part.No. 部品番号	Alternative. 代替部品番号	Description 部品名称	Notes 備考	Revision 改訂	Quantity 個数			
						100(日本)	120	230	240
1	302S018610	2S018610	HINGE LOW			2	2	2	2
2	302S018620	2S018620	HINGE UP			2	2	2	2
3	302S018250	2S018250	STOPPER ORIGINAL			1	1	1	1
4	303MX02060	3MX02060	SPONGE ORIGINAL MAT			4	4	4	4
5	303MX02031	3MX02031	CUSHION ORIGINAL MAT B			4	4	4	4
101	7BB202310H	BB063420	+TP-FLAT T.T P SCREW 3X10						

• Parts with a Ref.No. of 500 and above in the illustration indicate they are not selected for service parts.

• イラスト中で 500 番台の Ref 番号が付いている部品はサービスパーツに選定されていません。

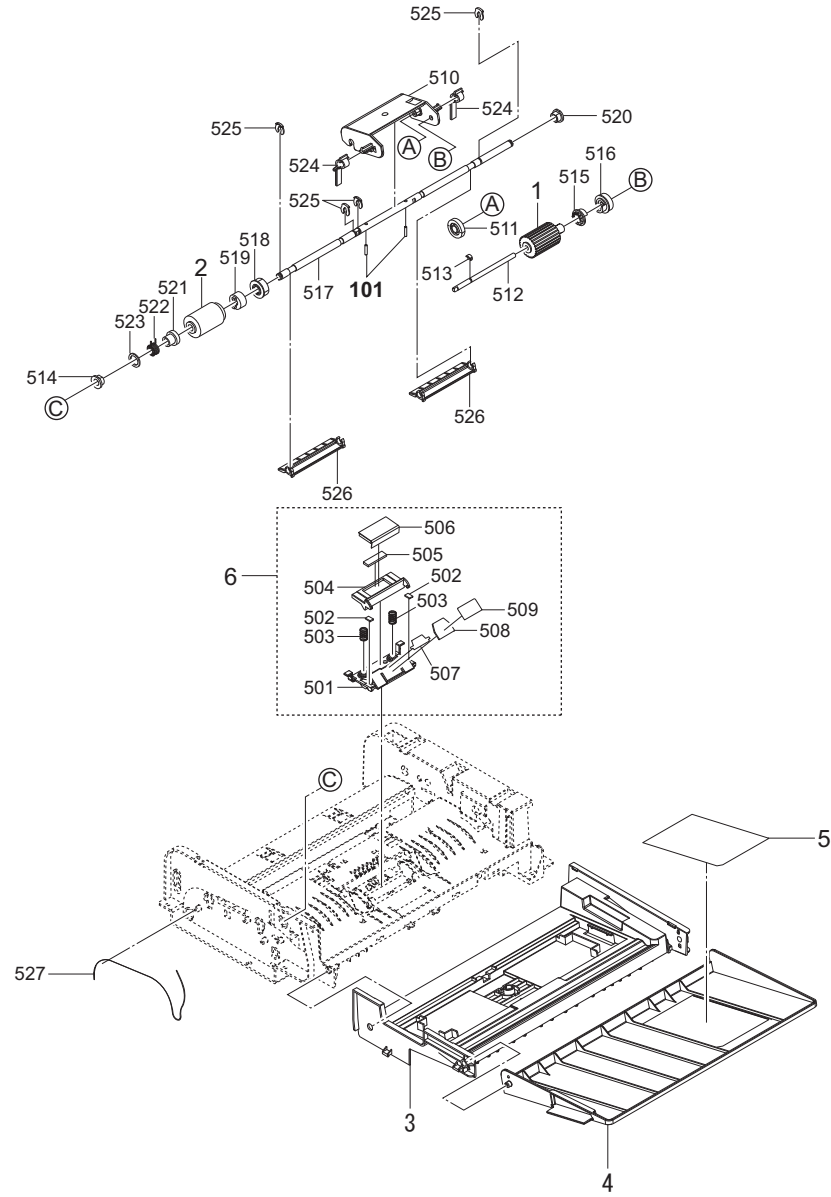


FIG. 26 DP Paper Feed Section

2RV/2RW/2RX/2RY/2S0/2S1/2S2/2SG/2S3/2SH/2S4/2S5

Ref. No. 番号	Part.No. 部品番号	Alternative. 代替部品番号	Description 部品名称	Notes 備考	Revision 改訂	Quantity 個数			
						100(日本)	120	230	240
1	36211110	36211110	PULLEY,LEADING FEED ADF			1	1	1	1
2	3BR07040	3BR07040	PULLEY,PAPER FEED			1	1	1	1
3	302S094020	2S094020	PARTS TABLE MAIN ASSY SP						
4	302S018440	2S018440	COVER TABLE			1	1	1	1
5	302S334030	2S334030	LABEL DP TABLE	40ppm(A4),42ppm(Letter)(A)/40ppm(A4)(BF)/ 40ppm(A4),42ppm(Letter)(CF)/40ppm(A4),42ppm(Let- ter)(DF)		1	1	1	1
5	302S034030	2S034030	LABEL DP TABLE	35ppm(A4),37ppm(Letter)(A)/35ppm(A4)(BF)/ 35ppm(A4),37ppm(Letter)(CF)/35ppm(A4)(DF)			1	1	1
6	302S094050	2S094050	PARTS HOLDER PAD ASSY SP						
101	7BP512010B0CH01	BP126160	PARALLEL PIN 2.0X10						

• Parts with a Ref.No. of 500 and above in the illustration indicate they are not selected for service parts.

• イラスト中で 500 番台の Ref 番号が付いている部品はサービスパーツに選定されていません。

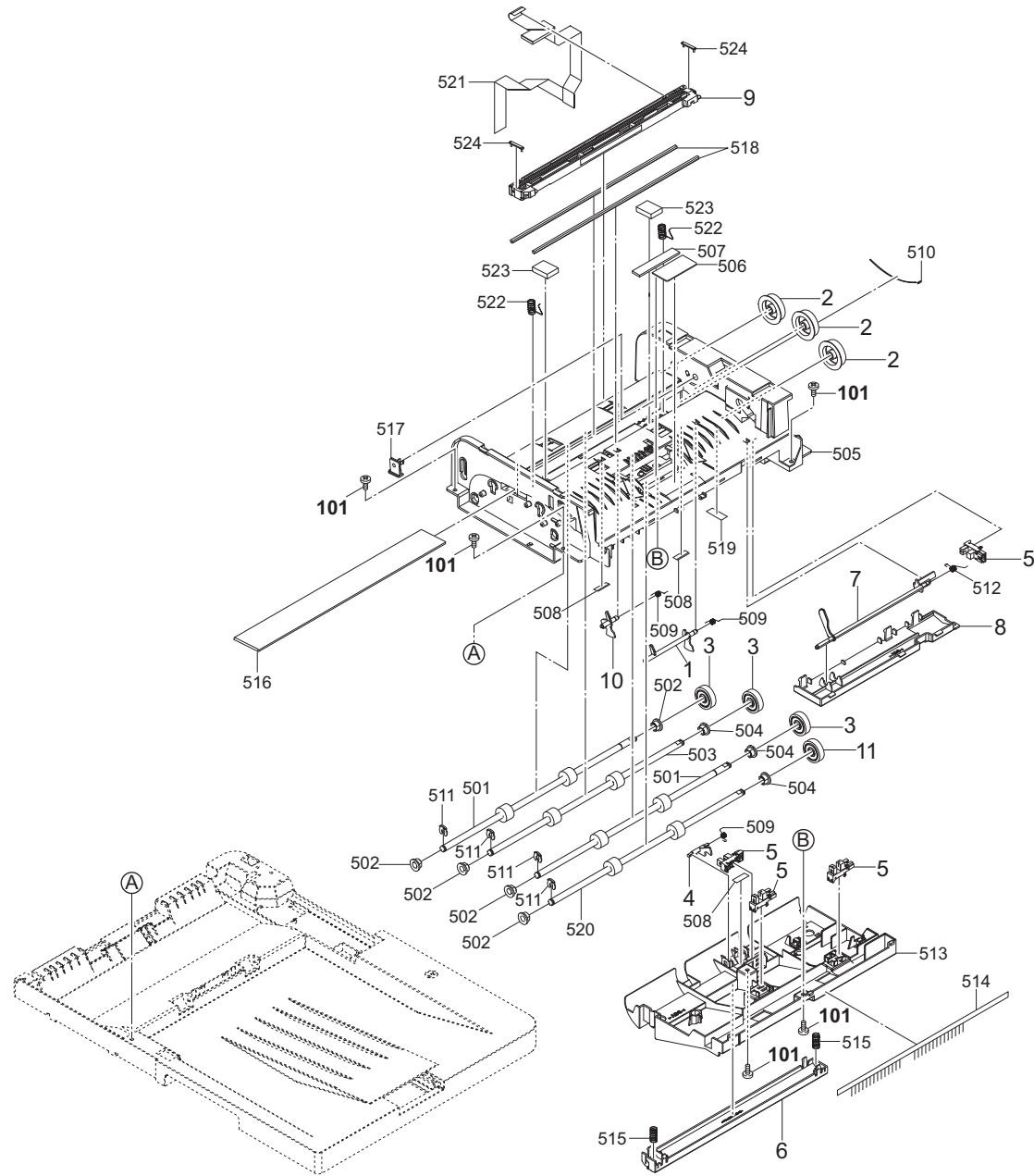


FIG. 27 DP Conveying Section (40ppm(A4),42ppm(Letter)(A)/40ppm(A4)(BF)/  
40ppm(A4),42ppm(Letter)(CF)/40ppm(A4),42ppm(Letter)(DF))

2RV/2RW/2RX/2RY/2S0/2S1/2S2/2SG/2S3/2SH/2S4/2S5

Ref. No. 番号	Part.No. 部品番号	Alternative. 代替部品番号	Description 部品名称	Notes 備考	Revision 改訂	Quantity 個数			
						100(日本)	120	230	240
1	302S018260	2S018260	ACTUATOR TIMING C			1	1	1	1
2	302S018370	2S018370	GEAR Z30R			3	3	3	3
3	302S018170	2S018170	GEAR Z25L			3	3	3	3
4	302S018150	2S018150	ACTUATOR TIMING A			1	1	1	1
5	302P794010	2P794010	PARTS SENSOR OPT. SP			4	4	4	4
6	302S018120	2S018120	GUIDE READING			1	1	1	1
7	302S018180	2S018180	ACTUATOR SET			1	1	1	1
8	302S018690	2S018690	COVER PI			1	1	1	1
9	302R794320	2R794320	PARTS SENSOR A4 CIS SP			1	1	1	1
10	302S318030	2S318030	ACTUATOR TIMING B			1	1	1	1
11	303LL31430	3LL31430	GEAR Z25L			1	1	1	1
101	7BB200308H	BB105660	+BIND T.T P SCREW 3X8						

• Parts with a Ref.No. of 500 and above in the illustration indicate they are not selected for service parts.

• イラスト中で 500 番台の Ref 番号が付いている部品はサービスパーツに選定されていません。

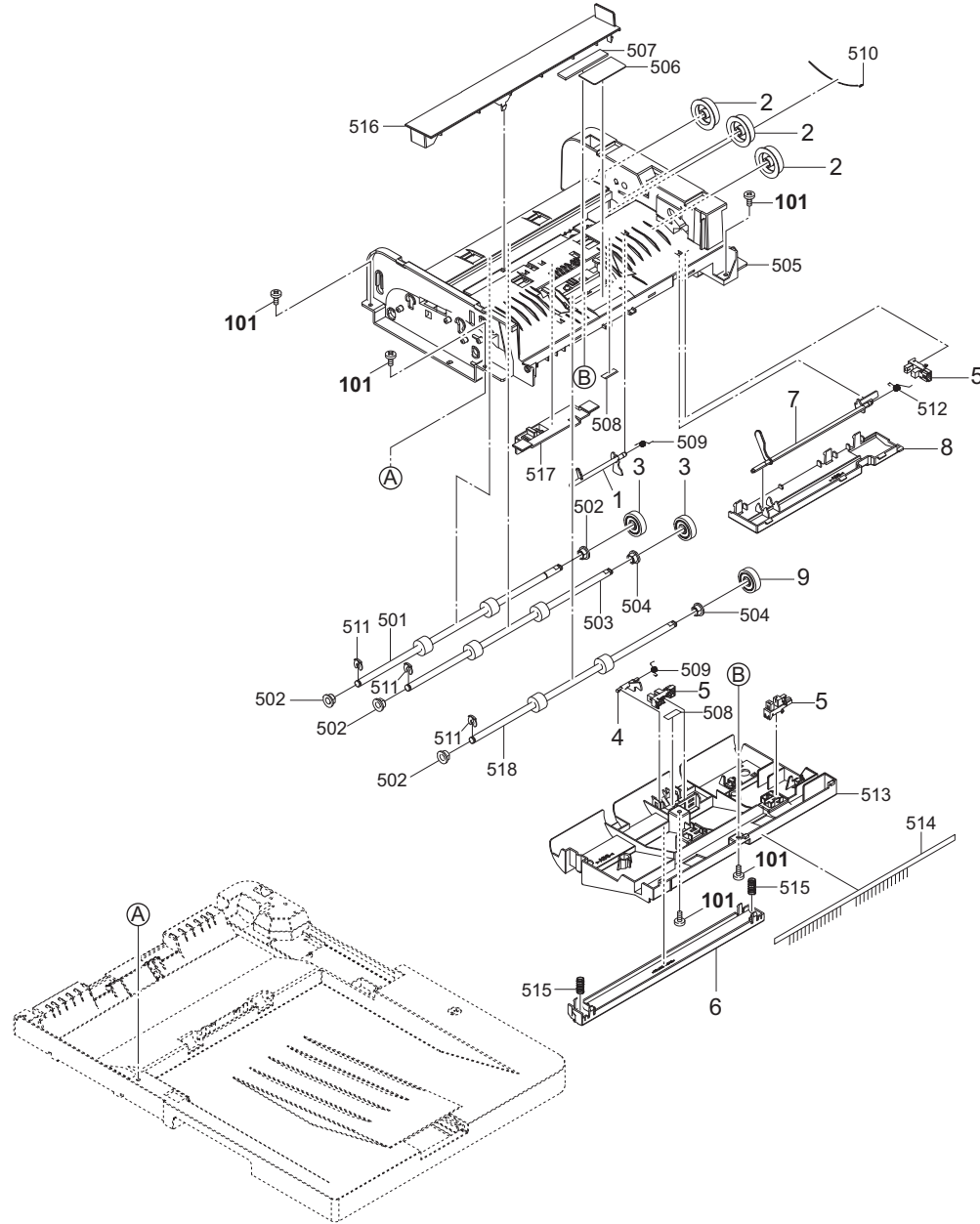


FIG. 28 DP Conveying Section (35ppm(A4),37ppm(Letter)(A)/35ppm(A4)(BF)/  
35ppm(A4),37ppm(Letter)(CF)/35ppm(A4)(DF))

2RV/2RW/2RX/2RY/2S0/2S1/2S2/2SG/2S3/2SH/2S4/2S5

Ref. No. 番号	Part.No. 部品番号	Alternative. 代替部品番号	Description 部品名称	Notes 備考	Revision 改訂	Quantity 個数			
						100(日本)	120	230	240
1	302S018260	2S018260	ACTUATOR TIMING C			1	1	1	1
2	302S018370	2S018370	GEAR Z30R			3	3	3	3
3	303LL31430	3LL31430	GEAR Z25L			2	2	2	2
4	302S018150	2S018150	ACTUATOR TIMING A			1	1	1	1
5	302P794010	2P794010	PARTS SENSOR OPT. SP			3	3	3	3
6	302S018120	2S018120	GUIDE READING			1	1	1	1
7	302S018180	2S018180	ACTUATOR SET			1	1	1	1
8	302S018690	2S018690	COVER PI			1	1	1	1
9	303LL31430	3LL31430	GEAR Z25L			1	1	1	1
101	7BB200308H	BB105660	+BIND T.T P SCREW 3X8						

• Parts with a Ref.No. of 500 and above in the illustration indicate they are not selected for service parts.

・イラスト中で 500 番台の Ref 番号が付いている部品はサービスパーツに選定されていません。



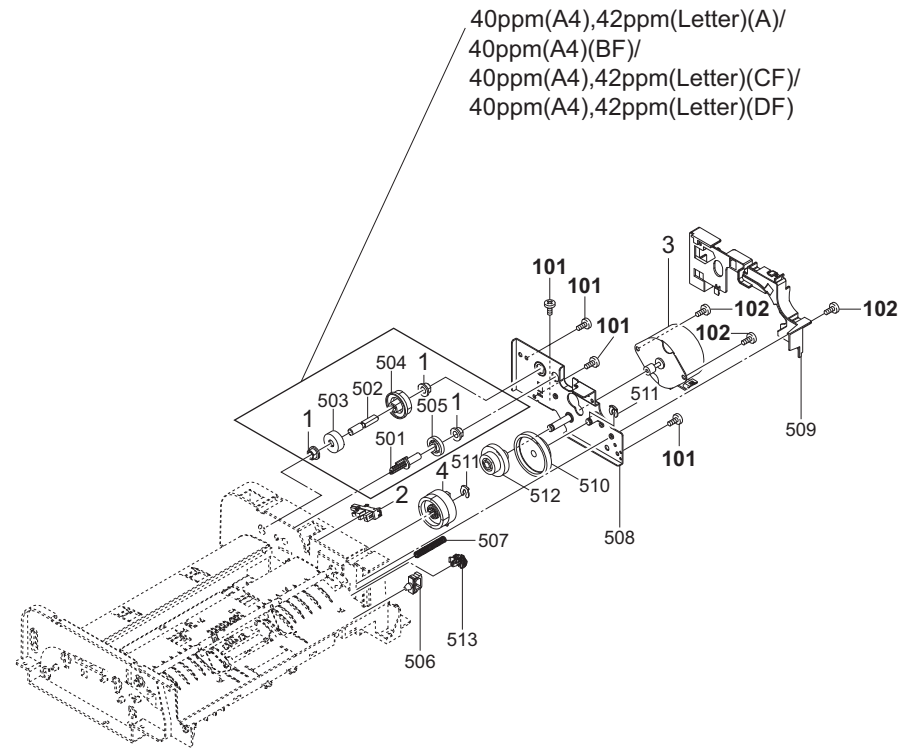




FIG. 30 Wire Sections 1 (MFP 1)

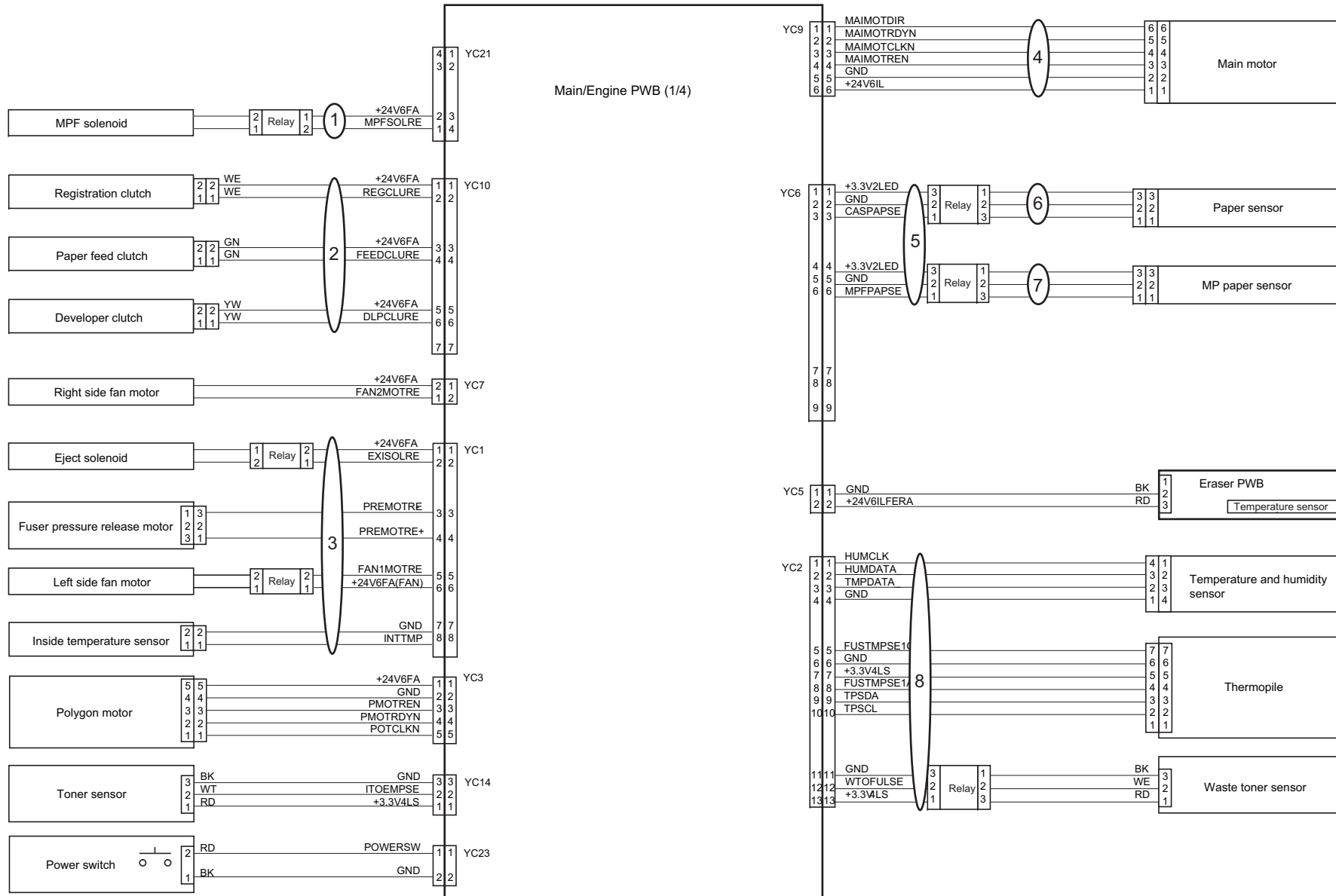




FIG. 31 Wire Sections 2 (MFP 2)

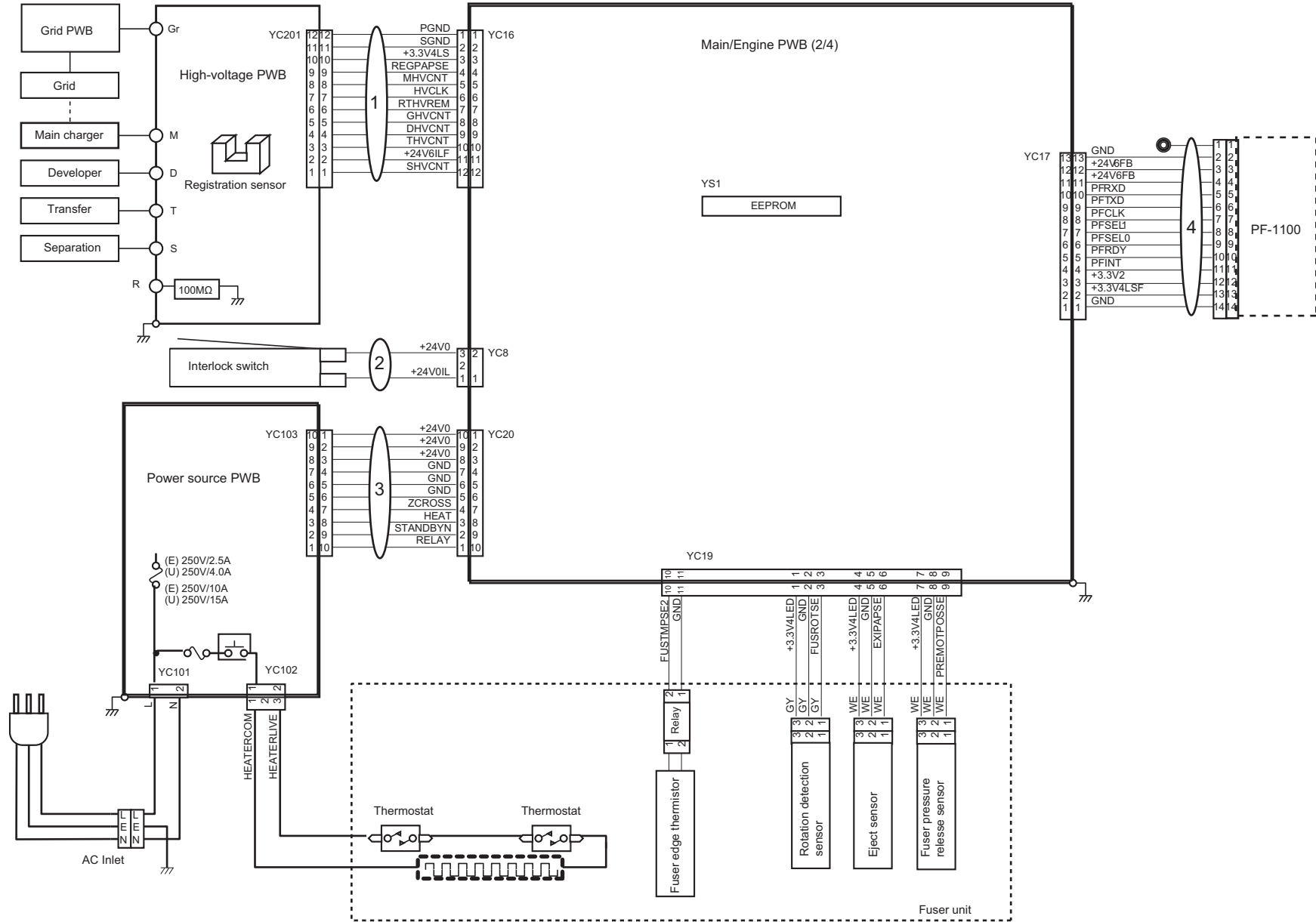
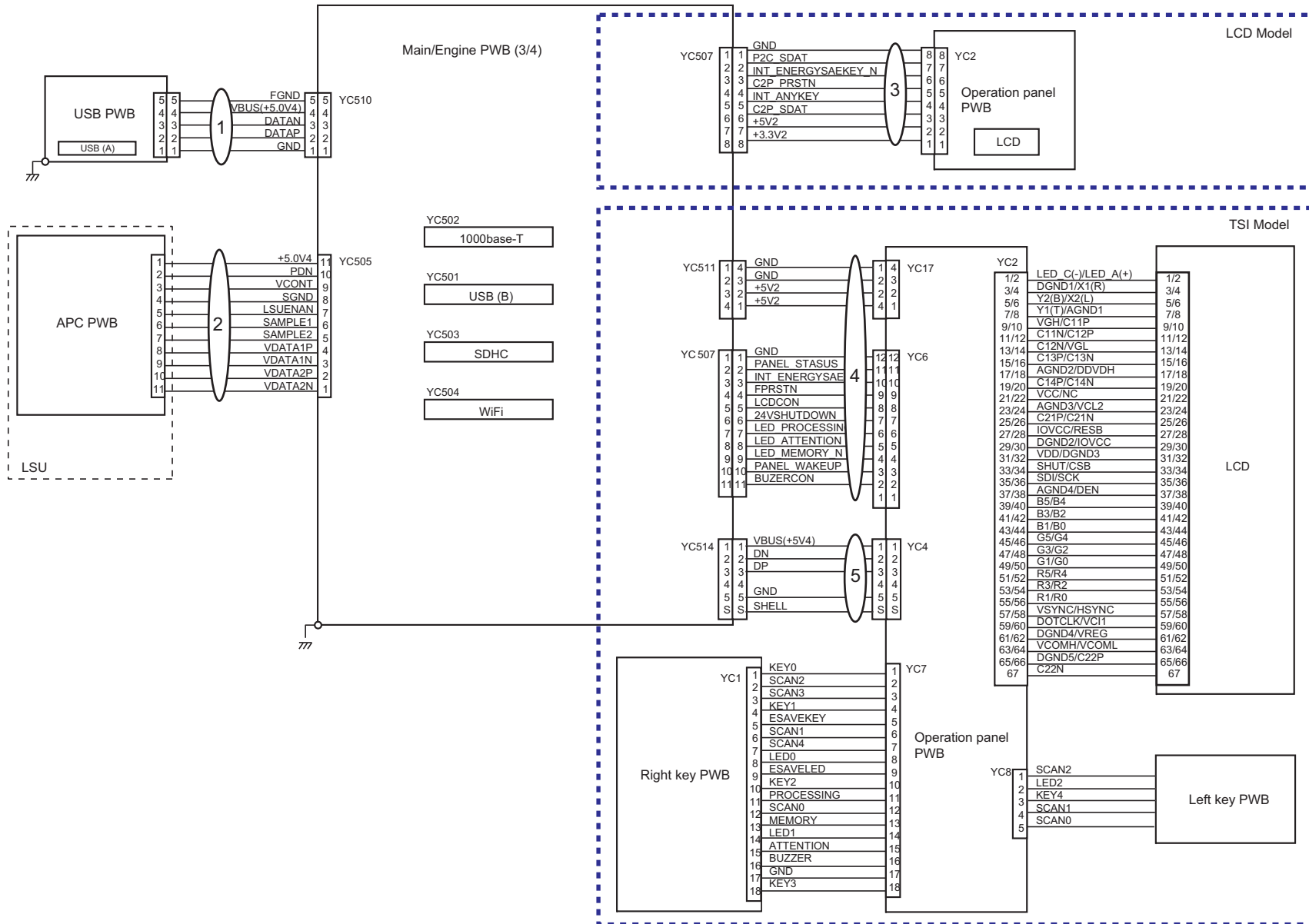




FIG. 32 Wire Sections 3 (MFP 3)







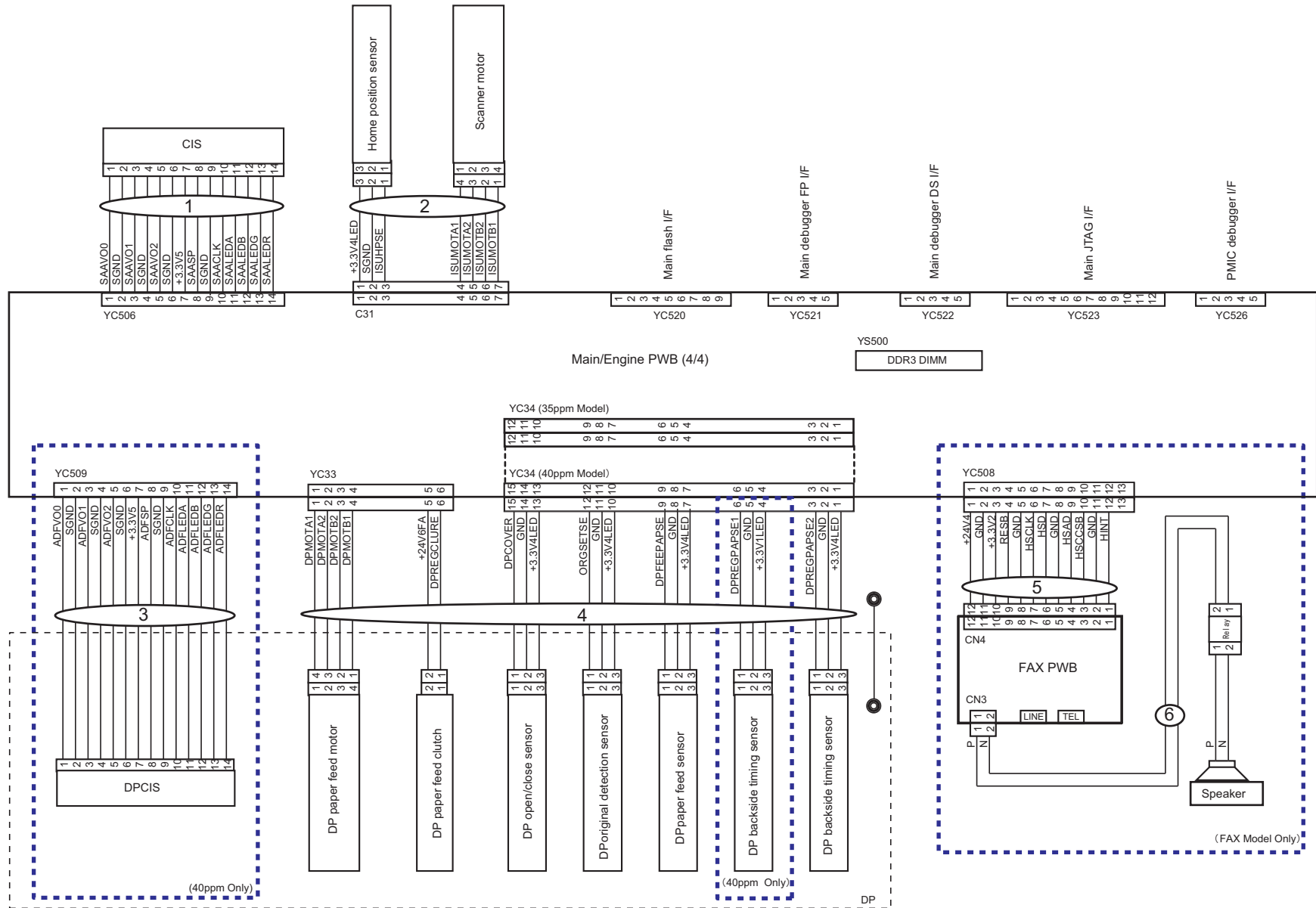




FIG. 34 Wire Sections 5 (PRINTER 1)

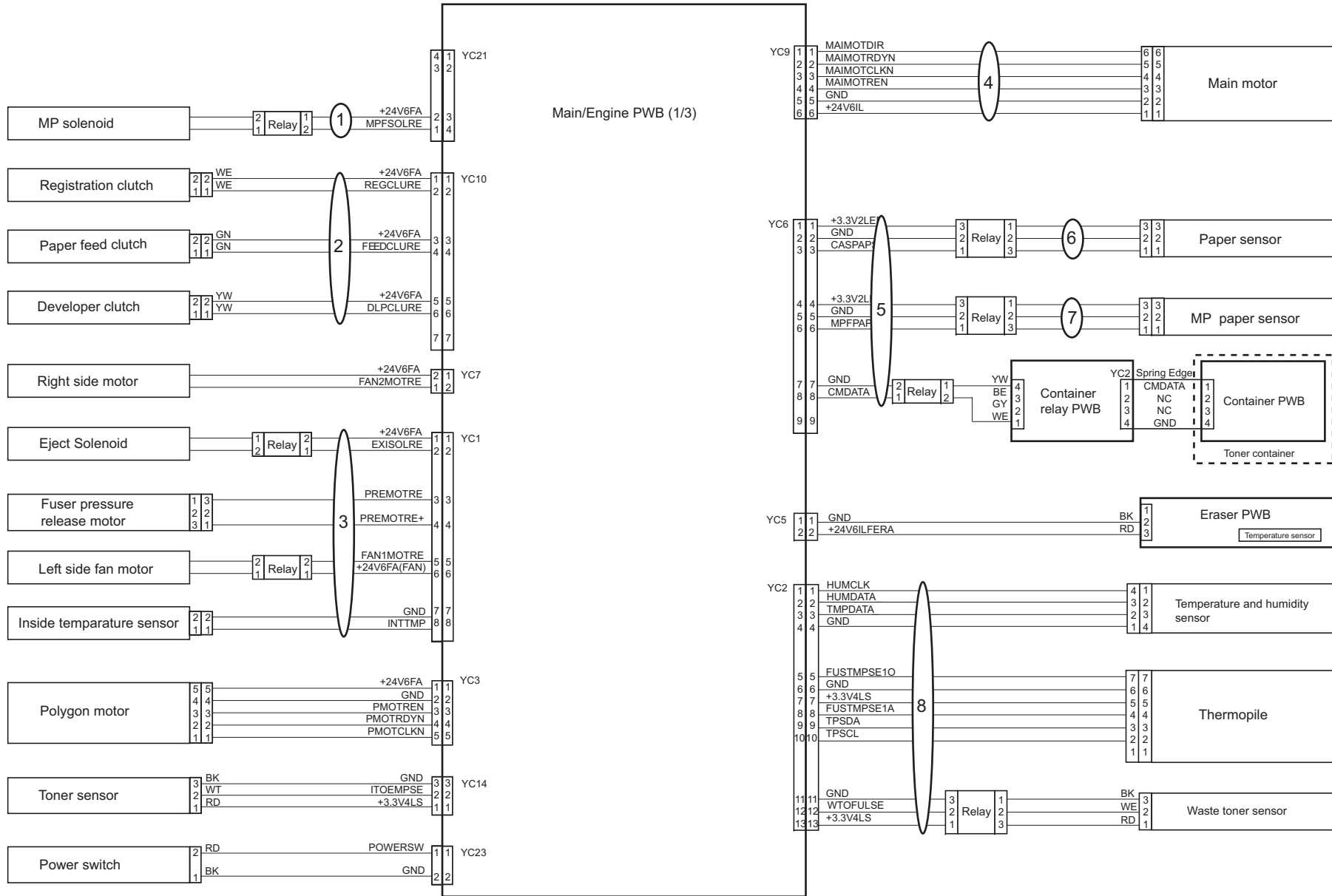
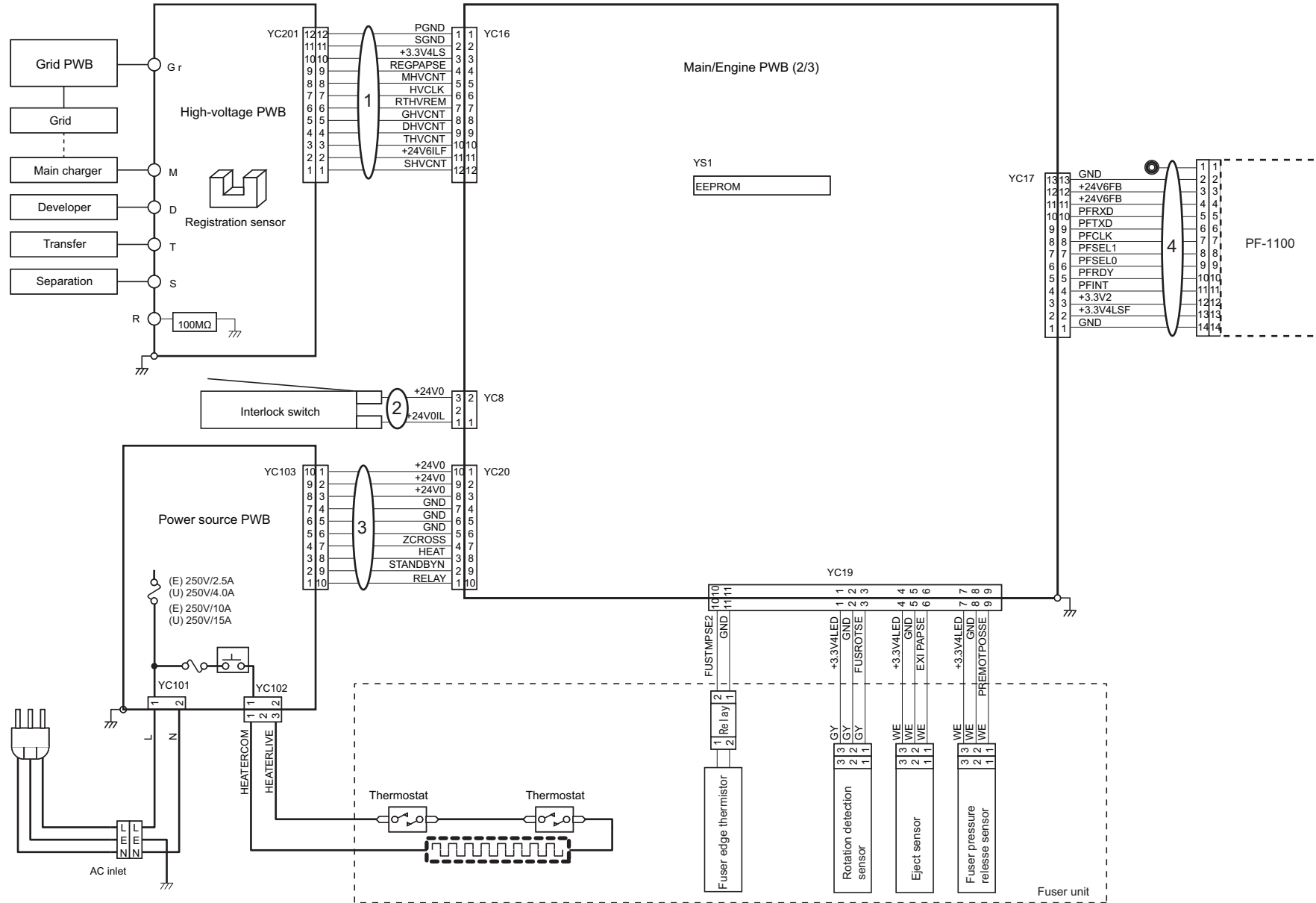
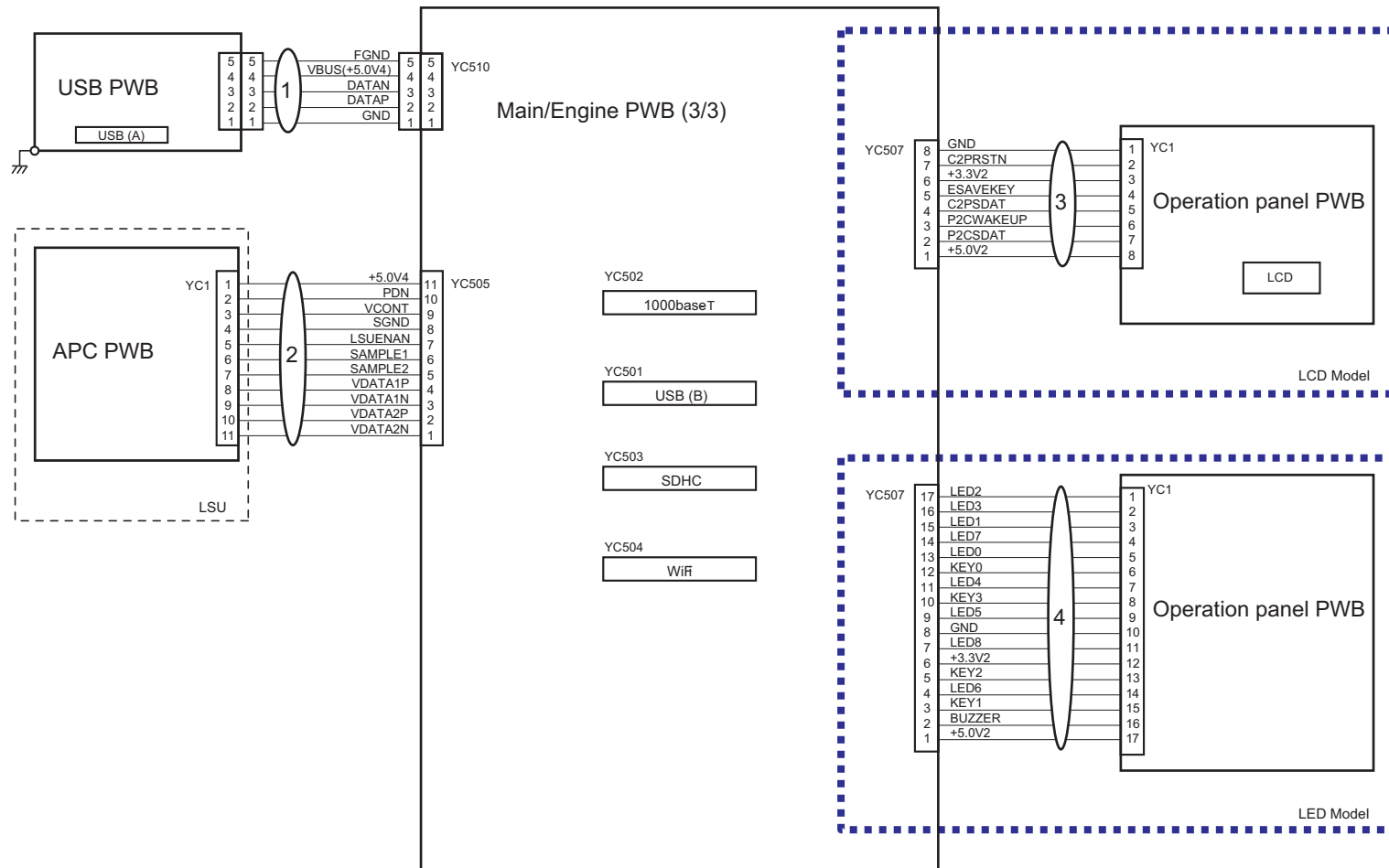




FIG. 35 Wire Sections 6 (PRINTER 2)











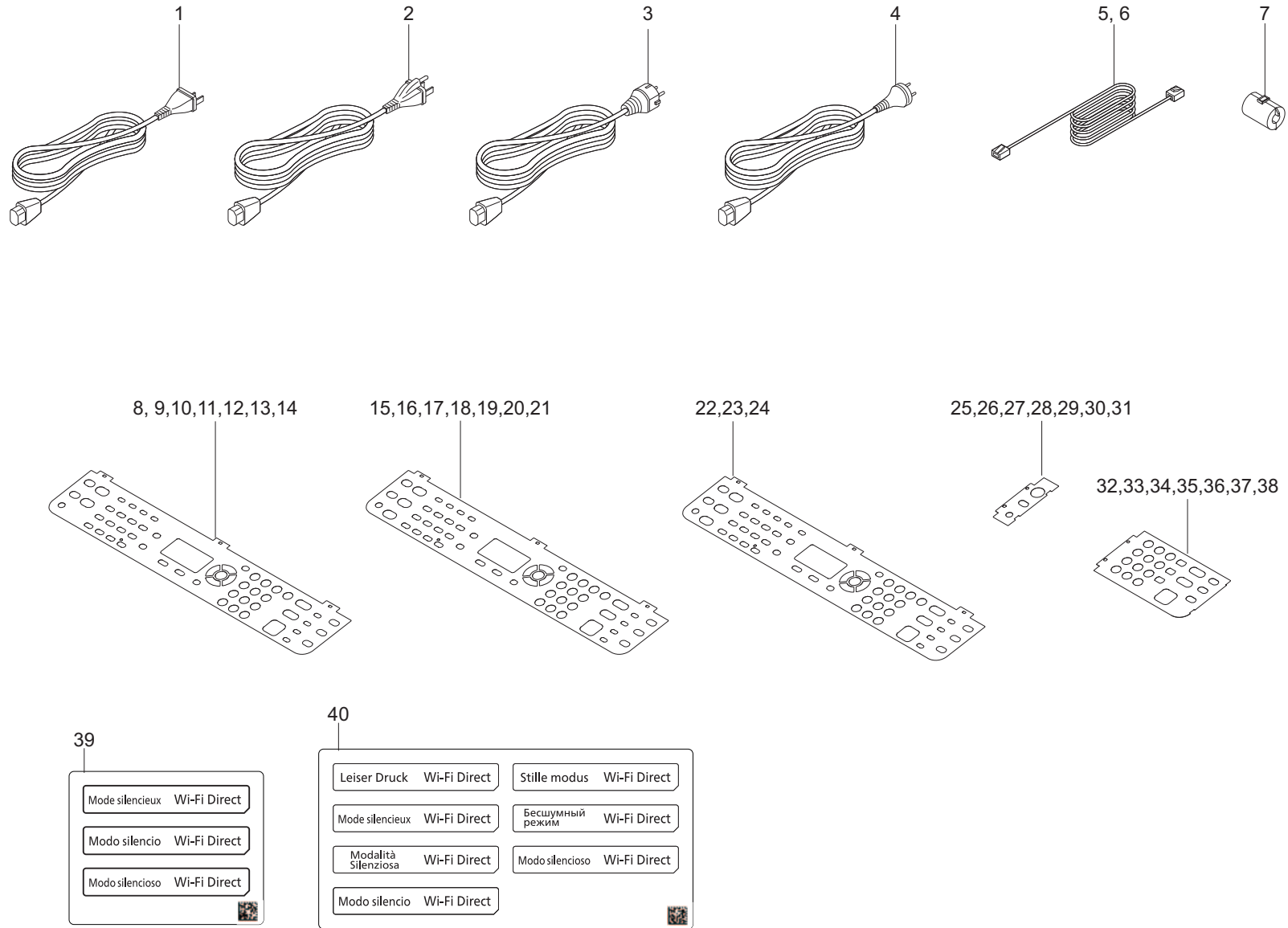






FIG. 38 Maintenance Kit

2RV/2RW/2RX/2RY/2S0/2S1/2S2/2SG/2S3/2SH/2S4/2S5

Ref. No. 番号	Part.No. 部品番号	Alternative. 代替部品番号	Description 部品名称	Notes 備考	Revision 改訂	Quantity 個数			
						100(日本)	120	230	240
1	1702RT0NL0	072RT0NL	MK-1150/MAINTENANCE KIT DK-1150 DV-1150					1 1 1	
2	1702RT0JP0	072RT0JP	MK-1151/MAINTENANCE KIT DK-1150 DV-1151			1 1 1			
3	1702RT0US0	072RT0US	MK-1152/MAINTENANCE KIT DK-1150 DV-1152				1 1 1		
4	1702RT0AS0	072RT0AS	MK-1154/MAINTENANCE KIT DK-1150 DV-1154						1 1 1

• Parts with a Ref.No. of 500 and above in the illustration indicate they are not selected for service parts.

• イラスト中で 500 番台の Ref 番号が付いている部品はサービスパーツに選定されていません。

## INDEX / 索引

Part.No. 部品番号	Alternative. 代替部品番号	Description 部品名称	Fig.No.
36211110	36211110	PULLEY,LEADING FEED ADF	26
302F906230	2F906230	PULLEY FEED ASSY	10
302F908310	2F908310	PAD FRICTION MPF	11
302F908340	2F908340	LOCK DLP	10
302F909171	2F909171	RETARD ROLLER ASSY	9
302F909210	2F909210	PAD BOTTOM	9
302F929260	2F929260	PULLEY DU LOW	11
302FV45040	2FV45040	AC CORD ASSY	37
302FV94010	2FV94010	PARTS AC CORD EU SP	37
302FZ94420	2FZ94420	PARTS,FAN COOLING CONVEYING SP	18
302H917230	2H917230	BELT ISU	14
302HN06080	2HN06080	PULLEY PICKUP ASSY	10
302HN44150	2HN44150	SOLENOID FD ASSY	11
302HN44160	2HN44160	SOLENOID MPF	18
302HS06071	2HS06071	ACTUATOR EMPTY B	10
302HS06090	2HS06090	GEAR Z22S FEED	10
302HS08260	2HS08260	ROLLER M/P ASSY	10
302HS24250	2HS24250	BUSH TC R	12
302K394171	2K394171	PARTS LCD COLOR S	20
302LC94283	2LC94283	PARTS MOTOR-BL W40 SP	18
302LV08080	2LV08080	PLATE BOTTOM MPF	11
302LV08110	2LV08110	SPRING SEPARATION MPF	11
302LV08180	2LV08180	ACTUATOR MPF	10
302LV08201	2LV08201	SPRING ACTUATOR MPF	10
302LZ94060	2LZ94060	PARTS ROLLER TRANSFER E SP	12
302LZ94070	2LZ94070	PARTS ROLLER TRANSFER A SP	12
302M294130	2M294130	PARTS PWB ASSY THERMISTOR SP	7,8
302M331100	2M331100	GEAR Z45S	11
302ND94790	2ND94790	PARTS SPEAKER SP	7
302NG94220	2NG94220	PARTS FAN MOTOR SP	7,8
302NR94010	2NR94010	PARTS CLUTCH 35 Z35R SP	18,29
302P794010	2P794010	PARTS SENSOR OPT. SP	10,14,27,28,29
302R708310	2R708310	PAD SEPARATION	11
302R794010	2R794010	PARTS WIFI UNIT SP	18
302R794130	2R794130	PARTS PLATE ORIGINAL SP	24
302R794220	2R794220	PARTS PWB KEY RIGHT ASSY SP	20
302R794250	2R794250	PARTS PWB KEY LEFT ASSY SP	20
302R794320	2R794320	PARTS SENSOR A4 CIS SP	14,27
302R794330	2R794330	PARTS FAX UNIT J SP	7
302R794340	2R794340	PARTS FAX UNIT U SP	7
302R794380	2R794380	PARTS MOTOR ISU SP	14
302RB05020	2RB05020	KEY OPERATION	22
302RB05030	2RB05030	KEY QUIET A	22
302RB05040	2RB05040	INDICATOR	22
302RB05100	2RB05100	KEY QUIET B	22
302RB05140	2RB05140	KEY OPERATION JP	22
302RB34010	2RB34010	LABEL INDICATOR W	22
302RB34020	2RB34020	LABEL QUIET MODE EN	22
302RB34030	2RB34030	LABEL QUIET MODE JP	22
302RC34010	2RC34010	LABEL INDICATOR	22
302RH94110	2RH94110	PARTS THERMOPILE ASSY SP	7,8

## 2RT/2RV/2RW/2RX/2RY/2S0/2S1/2S2/2SG/2S3/2SH/2S4/2S5

Part.No. 部品番号	Alternative. 代替部品番号	Description 部品名称	Fig.No.
302RT04010	2RT04010	COVER RIGHT	2
302RT04020	2RT04020	COVER RIGHT REAR	2
302RT34010	2RT34010	EMBLEM MACHINE NUMBER	5
302RT94010	2RT94010	PARTS PWB MAIN ENGINE ASSY SP	19
302RT94020	2RT94020	PARTS PWB MAIN ENGINE ASSY EU SP	19
302RV02420	2RV02420	RACK FRONT	3
302RV04010	2RV04010	COVER TOP	22
302RV04020	2RV04020	LID TOP	22
302RV04030	2RV04030	COVER LEFT	2
302RV04040	2RV04040	COVER RIGHT	2
302RV04050	2RV04050	COVER FRONT	4
302RV04060	2RV04060	COVER RIGHT REAR	2
302RV04070	2RV04070	COVER TOP REAR	2
302RV04080	2RV04080	COVER LEFT REAR	1,2
302RV04100	2RV04100	COVER WIFI	2
302RV04130	2RV04130	COVER FRONT UP	4
302RV04150	2RV04150	KEY POWER	3,4
302RV04160	2RV04160	LEVER CONTAINER	3,4
302RV04220	2RV04220	STOPPER	3,22
302RV04370	2RV04370	STRAP COVER FRONT	3,4
302RV05010	2RV05010	KEY GO-CANCEL	22
302RV05020	2RV05020	KEY QUIET-WIFI	22
302RV05030	2RV05030	COVER LED	22
302RV05090	2RV05090	KEY WIFI	22
302RV06040	2RV06040	SHAFT FEED R	10
302RV06080	2RV06080	ACTUATOR EMPTY A	10
302RV08010	2RV08010	FRAME MPF	10
302RV08020	2RV08020	GUIDE TURN MPF	11
302RV08060	2RV08060	GEAR Z14S	10
302RV08070	2RV08070	SHAFT FEED MPF	10
302RV09030	2RV09030	COVER CASSETTE	9
302RV09040	2RV09040	PLATE BOTTOM	9
302RV09050	2RV09050	SPRING BOTTOM	9
302RV09080	2RV09080	CURSOR LEFT	9
302RV09090	2RV09090	CURSOR RIGHT	9
302RV09100	2RV09100	CURSOR END	9
302RV09110	2RV09110	GUIDE RETARD	9
302RV09120	2RV09120	HOLDER RETARD	9
302RV09130	2RV09130	SPRING RETARD	9
302RV09140	2RV09140	PAPER INDICATOR	9
302RV09150	2RV09150	LOCK BOTTOM	9
302RV09180	2RV09180	SPRING LOCK BOTTOM	9
302RV24080	2RV24080	ACTUATOR REGIST	12
302RV24110	2RV24110	BUSH REGIST LOW L	12
302RV24120	2RV24120	BUSH REGIST LOW R	12
302RV24160	2RV24160	GEAR TRANS Z17L	12
302RV24190	2RV24190	BRUSH DISCHARGER	12
302RV24330	2RV24330	SPRING ACTUATOR REGIST	12
302RV24340	2RV24340	SPRING GUIDE REGIST	12
302RV24460	2RV24460	BUSH DU	12
302RV24500	2RV24500	HOLDER DC BRUSH	12

2RT/2RV/2RW/2RX/2RY/2S0/2S1/2S2/2SG/2S3/2SH/2S4/2S5

Part.No. 部品番号	Alternative. 代替部品番号	Description 部品名称	Fig.No.
302RV24900	2RV24900	BRUSH DC DISCHARGER	12
302RV28090	2RV28090	COVER REAR	1,2
302RV28110	2RV28110	COVER CASSETTE REAR	1,2
302RV28130	2RV28130	GEAR Z21S	11
302RV29060	2RV29060	GEAR Z25L	12
302RV29070	2RV29070	GEAR Z23L	12
302RV31040	2RV31040	GEAR Z69R-Z26L	18
302RV31080	2RV31080	GEAR Z61R-Z25R	18
302RV34010	2RV34010	EMBLEM MACHINE NUMBER	5
302RV34020	2RV34020	LABEL C	12
302RV34070	2RV34070	LABEL JAM OPERATION	3,4
302RV34080	2RV34080	LABEL CONTAINER OPERATION	3,4
302RV46010	2RV46010	CONN.CORD ASSY SOL.MOTOR (LEFT)	30,34
302RV46020	2RV46020	CONN.CORD ASSY SENSOR(LEFT)	30,34
302RV46050	2RV46050	CONN.CORD ASSY INTER LOCK	31,35
302RV46060	2RV46060	CONN.CORD ASSY MAIN MOTOR	30,34
302RV46070	2RV46070	CONN.CORD ASSY CL (FRONT)	30,34
302RV46080	2RV46080	CONN.CORD ASSY 03CZ-03XR	30,34
302RV46090	2RV46090	CONN.CORD ASSY FEED SENSOR	30,34
302RV46100	2RV46100	CONN.CORD ASSY 12CZ-12CZ	31,35
302RV46110	2RV46110	CONN.CORD ASSY PF	31,35
302RV46140	2RV46140	CONN.CORD ASSY 10CK-10CK	31,35
302RV46150	2RV46150	CONN.CORD ASSY MPF SOL	30,34
302RV46160	2RV46160	CONN.CORD ASSY FFC APC	13,32,36
302RV46170	2RV46170	CONN.CORD ASSY USB FRONT	36
302RV46180	2RV46180	CONN.CORD ASSY FFC PANEL	22,36
302RV46250	2RV46250	CONN.CORD ASSY 03CZ-03XR	30,34
302RV93010	2RV93010	DK-1150	15
302RV93020	2RV93020	DV-1150	16
302RV93030	2RV93030	DV-1152	16
302RV93040	2RV93040	DV-1154	16
302RV93050	2RV93050	FK-1150	17
302RV93060	2RV93060	FK-1152	17
302RV93070	2RV93070	LK-1150	13
302RV93080	2RV93080	MC-1150	15
302RV93090	2RV93090	CT-1150	9
302RV94010	2RV94010	PARTS TRAY MPF ASSY SP	3,4
302RV94020	2RV94020	PARTS PLATE DRIVE FUSER ASSY SP	6
302RV94030	2RV94030	PARTS DRIVE PRESS RELEASE ASSY SP	6
302RV94050	2RV94050	PARTS GEAR YUUSEI A ASSY SP	11
302RV94060	2RV94060	PARTS GEAR YUUSEI B ASSY SP	11
302RV94070	2RV94070	PARTS HOLDER FEED ASSY SP	10
302RV94080	2RV94080	PARTS PWB MAIN ENGINE ASSY SP	19
302RV94090	2RV94090	PARTS PWB MAIN ENGINE ASSY EU SP	19
302RV94100	2RV94100	PARTS PWB L PANEL ASSY SP	22
302RV94110	2RV94110	PARTS PWB ERASER ASSY SP	7,8
302RV94120	2RV94120	PARTS PWB FRONT USB ASSY SP	18
302RV94130	2RV94130	PARTS PWB SWITCH ASSY SP	18
302RV94140	2RV94140	PARTS PWB ASSY FULL SENSOR SP	7,8
302RV94150	2RV94150	PARTS PWB THERMISTOR ASSY SP	7,8
302RV94160	2RV94160	PARTS PWB CONTAINER CONNECT ASSY SP	10

Part.No. 部品番号	Alternative. 代替部品番号	Description 部品名称	Fig.No.
302RV94170	2RV94170	PARTS PWB ASSY EMPTY SENSOR SP	10
302RV94180	2RV94180	PARTS DC MOTOR ASSY SP	6
302RV94190	2RV94190	PARTS UNIT HIGH VOLTAGE SP	12
302RV94200	2RV94200	PARTS UNIT HIGH VOLTAGE J SP	12
302RV94210	2RV94210	PARTS UNIT LOW VOLTAGE 100V SP	19
302RV94220	2RV94220	PARTS UNIT LOW VOLTAGE 230V SP	19
302RV94230	2RV94230	PARTS ROLLER MIDDLE SP	10
302RV94240	2RV94240	PARTS ROLLER REGIST UP SP	12
302RV94250	2RV94250	PARTS ROLLER REGIST LOW SP	12
302RV94260	2RV94260	PARTS ROLLER FD UP SP	11
302RV94270	2RV94270	PARTS ROLLER DU SP	12
302RW04010	2RW04010	COVER TOP	22
302RW05020	2RW05020	COVER LED	22
302RW34010	2RW34010	LABEL QUIET-WIFI	22
302RW34020	2RW34020	EMBLEM MACHINE NUMBER	5
302RW34030	2RW34030	LABEL QUIET-WIFI US	37
302RW34040	2RW34040	LABEL QUIET-WIFI NL	37
302RW94010	2RW94010	PARTS PWB MAIN ENGINE ASSY SP	19
302RW94020	2RW94020	PARTS PWB MAIN ENGINE ASSY EU SP	19
302RX04010	2RX04010	COVER TOP	22
302RX04020	2RX04020	COVER FRONT	4
302RX05070	2RX05070	PANEL LCD	22
302RX34010	2RX34010	EMBLEM MACHINE NUMBER	5
302RX46010	2RX46010	CONN.CORD ASSY FFC PANEL	22,36
302RX94010	2RX94010	PARTS PWB MAIN ENGINE ASSY SP	19
302RX94020	2RX94020	PARTS PWB MAIN ENGINE ASSY EU SP	19
302RX94030	2RX94030	PARTS PWB P PANEL ASSY SP	22
302RY05010	2RY05010	PANEL LCD W	22
302RY34010	2RY34010	EMBLEM MACHINE NUMBER	5
302RY93010	2RY93010	DV-1151	16
302RY93020	2RY93020	FK-1151	17
302RY94010	2RY94010	PARTS PWB MAIN ENGINE ASSY SP	19
302RY94020	2RY94020	PARTS PWB MAIN ENGINE ASSY EU SP	19
302S002030	2S002030	RACK LID	3
302S004010	2S004010	COVER TOP	3
302S004020	2S004020	LID TOP	3
302S004030	2S004030	COVER LEFT	1
302S004040	2S004040	COVER RIGHT	1
302S004050	2S004050	COVER FRONT	3
302S004060	2S004060	COVER FRONT UP	3
302S004070	2S004070	COVER LEFT UP	1
302S004080	2S004080	COVER RIGHT UP	1
302S004090	2S004090	COVER REAR UP	1
302S004100	2S004100	COVER ISU LEFT	1
302S004110	2S004110	COVER ISU RIGHT	1
302S004130	2S004130	STAY JOINT ISU L	7
302S004140	2S004140	STAY JOINT ISU R	7
302S004170	2S004170	COVER ISU LEFT LGL	1
302S004180	2S004180	COVER ISU RIGHT LGL	1
302S004200	2S004200	COVER DIMM	1
302S004210	2S004210	COVER RIGHT REAR	1

Part.No. 部品番号	Alternative. 代替部品番号	Description 部品名称	Fig.No.
302S005510	2S005510	LABEL OPERATION LCD EN	21
302S005530	2S005530	LABEL OPERATION LCD FRA	37
302S105530	2S105530	LABEL OPERATION LCD 4 FRA	37
302S005540	2S005540	LABEL OPERATION LCD SPA	37
302S105540	2S105540	LABEL OPERATION LCD 4 SPA	37
302S005550	2S005550	LABEL OPERATION LCD PTB	37
302S105550	2S105550	LABEL OPERATION LCD 4 PTB	37
302S005560	2S005560	LABEL OPERATION LCD GER	37
302S105560	2S105560	LABEL OPERATION LCD 4 GER	37
302S005570	2S005570	LABEL OPERATION LCD ITA	37
302S105570	2S105570	LABEL OPERATION LCD 4 ITA	37
302S005580	2S005580	LABEL OPERATION LCD DUT	37
302S105580	2S105580	LABEL OPERATION LCD 4 DUT	37
302S005590	2S005590	LABEL OPERATION LCD RUS	37
302S105590	2S105590	LABEL OPERATION LCD 4 RUS	37
302S017340	2S017340	BELT ISU A	14
302S018040	2S018040	COVER DP FEED	24
302S018050	2S018050	COVER FRONT	24
302S018060	2S018060	COVER REAR	24
302S018120	2S018120	GUIDE READING	24,27,28
302S018150	2S018150	ACTUATOR TIMING A	27,28
302S018170	2S018170	GEAR Z25L	27
302S018180	2S018180	ACTUATOR SET	27,28
302S018250	2S018250	STOPPER ORIGINAL	25
302S018260	2S018260	ACTUATOR TIMING C	27,28
302S018370	2S018370	GEAR Z30R	27,28
302S018440	2S018440	COVER TABLE	26
302S018490	2S018490	EMBLEM	5
302S018560	2S018560	ACTUATOR BASE	24
302S018610	2S018610	HINGE LOW	25
302S018620	2S018620	HINGE UP	25
302S018690	2S018690	COVER PI	27,28
302S034010	2S034010	EMBLEM MACHINE NUMBER	5
302S034030	2S034030	LABEL DP TABLE	26
302S046010	2S046010	CONN.CORD ASSY ISU MOTOR	33
302S046020	2S046020	CONN.CORD ASSY FFC ISU	14,33
302S046030	2S046030	CONN.CORD ASSY DP	33
302S046040	2S046040	CONN.CORD ASSY 08CZ-08CZ	32
302S046050	2S046050	CONN.CORD ASSY USB FRONT	32
302S046060	2S046060	CONN.CORD ASSY DP INCH	33
302S093010	2S093010	PARTS DP UNIT SP (E)	23
302S093020	2S093020	PARTS DP UNIT SP (U)	23
302S094010	2S094010	PARTS MOTOR-PM DP SP	29
302S094020	2S094020	PARTS TABLE MAIN ASSY SP	26
302S094030	2S094030	PARTS FRAME ISU TOP A ASSY SP	14
302S094040	2S094040	PARTS OPERATION ASSY SP	21
302S094050	2S094050	PARTS HOLDER PAD ASSY SP	26
302S094060	2S094060	PARTS PWB MAIN ENGINE ASSY SP	19
302S094070	2S094070	PARTS PWB MAIN ENGINE ASSY EU SP	19
302S094080	2S094080	PARTS PWB M PANEL ASSY SP	21
302S094090	2S094090	PARTS UNIT LOW VOLTAGE 100V SP	19

Part.No. 部品番号	Alternative. 代替部品番号	Description 部品名称	Fig.No.
302S094100	2S094100	PARTS UNIT LOW VOLTAGE 230V SP	19
302S105510	2S105510	LABEL OPERATION LCD 4 EN	21
302S134010	2S134010	EMBLEM MACHINE NUMBER	5
302S146010	2S146010	CONN.CORD ASSY FAX	33
302S146020	2S146020	CONN.CORD ASSY FAX CONN	33
302S194010	2S194010	PARTS OPERATION ASSY SP	21
302S194020	2S194020	PARTS PWB MAIN ENGINE ASSY SP	19
302S194030	2S194030	PARTS PWB MAIN ENGINE ASSY EU SP	19
302S205510	2S205510	LABEL OPERATION LCD 4 W EN	21
302S205520	2S205520	LABEL OPERATION LCD 4 W JP	21
302S205530	2S205530	LABEL OPERATION LCD 4 W FRA	37
302S205540	2S205540	LABEL OPERATION LCD 4 W SPA	37
302S205550	2S205550	LABEL OPERATION LCD 4 W PTB	37
302S234010	2S234010	EMBLEM MACHINE NUMBER	5
302S294010	2S294010	PARTS OPERATION ASSY SP	21
302S294020	2S294020	PARTS PWB MAIN ENGINE ASSY SP	19
302S318030	2S318030	ACTUATOR TIMING B	27
302S334010	2S334010	EMBLEM MACHINE NUMBER	5
302S334030	2S334030	LABEL DP TABLE	26
302S346010	2S346010	CONN.CORD ASSY FFC DP	33
302S346020	2S346020	CONN.CORD ASSY DP	33
302S346030	2S346030	CONN.CORD ASSY FFC DP INCH	33
302S346040	2S346040	CONN.CORD ASSY DP INCH	33
302S393010	2S393010	PARTS DP UNIT SP (E)	23
302S393020	2S393020	PARTS DP UNIT SP (U)	23
302S394010	2S394010	PARTS FRAME ISU TOP L ASSY SP	14
302S394020	2S394020	PARTS PWB MAIN ENGINE ASSY SP	19
302S394030	2S394030	PARTS PWB MAIN ENGINE ASSY EU SP	19
302S404010	2S404010	LID TOP	3
302S404020	2S404020	COVER REAR UP FAX	1
302S404060	2S404060	COVER FRONT	3
302S434010	2S434010	EMBLEM MACHINE NUMBER	5
302S494010	2S494010	PARTS PWB MAIN ENGINE ASSY SP	19
302S505510	2S505510	LABEL OPERATION T RIGHT EN	20
302S505520	2S505520	LABEL OPERATION T RIGHT JP	20
302S505530	2S505530	LABEL OPERATION T RIGHT FRA	37
302S505540	2S505540	LABEL OPERATION T RIGHT SPA	37
302S505550	2S505550	LABEL OPERATION T RIGHT PTB	37
302S505560	2S505560	LABEL OPERATION T RIGHT GER	37
302S505570	2S505570	LABEL OPERATION T RIGHT ITA	37
302S505580	2S505580	LABEL OPERATION T RIGHT DUT	37
302S505590	2S505590	LABEL OPERATION T RIGHT RUS	37
302S505710	2S505710	LABEL OPERATION T LEFT EN	20
302S505720	2S505720	LABEL OPERATION T LEFT JP	20
302S505730	2S505730	LABEL OPERATION T LEFT FRA	37
302S505740	2S505740	LABEL OPERATION T LEFT SPA	37
302S505750	2S505750	LABEL OPERATION T LEFT PTB	37
302S505760	2S505760	LABEL OPERATION T LEFT GER	37
302S505770	2S505770	LABEL OPERATION T LEFT ITA	37
302S505780	2S505780	LABEL OPERATION T LEFT DUT	37
302S505790	2S505790	LABEL OPERATION T LEFT RUS	37



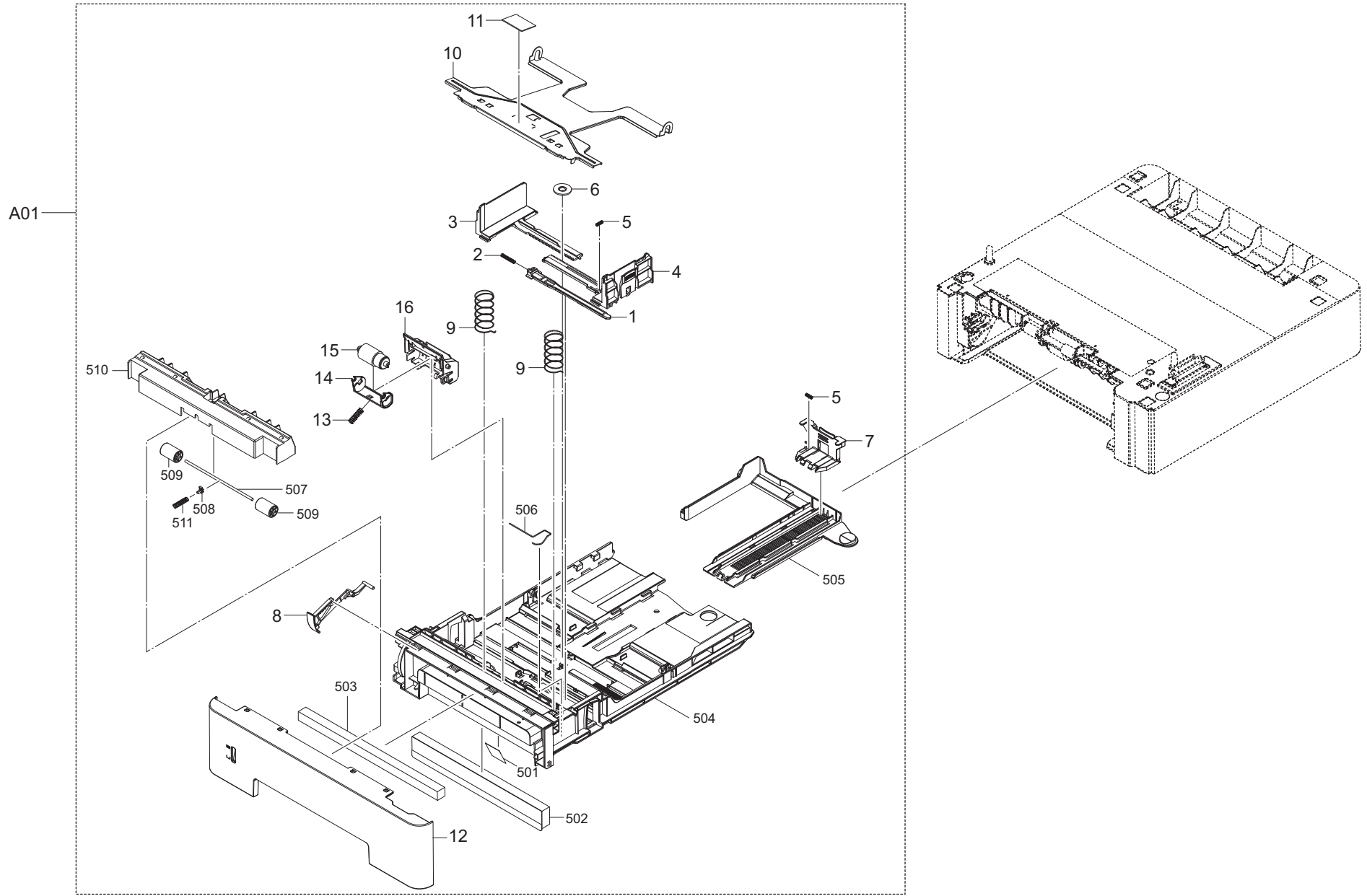


---

**PF-1100**

— CONTENTS / 目次 —

FIG. 1	Paper Cassettes .....	2
FIG. 2	Paper Feed Section .....	4
FIG. 3	Wire Section .....	6
• INDEX / 索引 .....		8





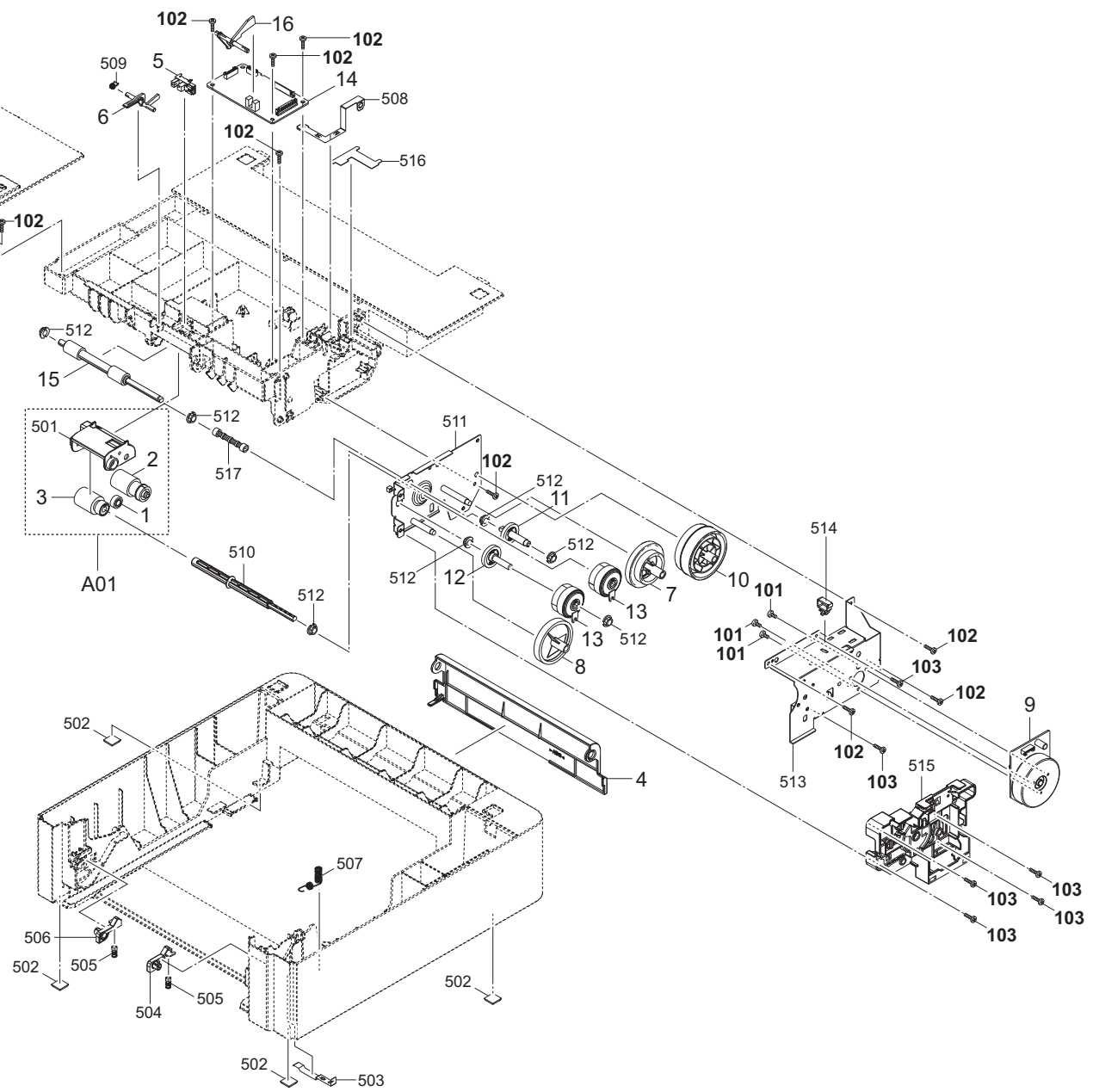


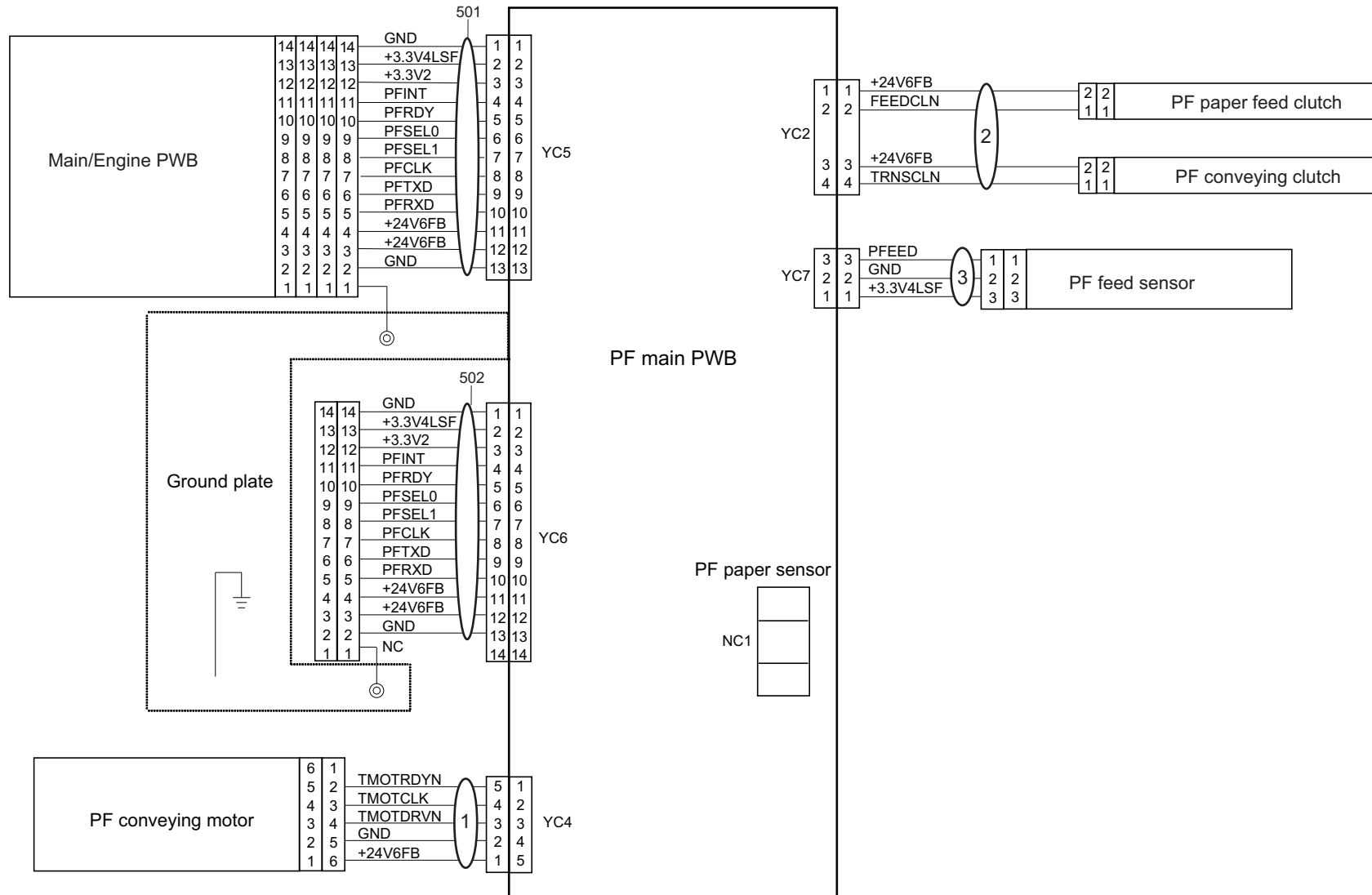
FIG. 2 Paper Feed Section

3RA

Ref. No. 番号	Part.No. 部品番号	Alternative. 代替部品番号	Description 部品名称	Notes 備考	Revision 改訂	Quantity 個数			
						100(日本)	120	230	240
A01	302RV94070	2RV94070	PARTS HOLDER FEED ASSY SP			1	1	1	1
1	302HS06090	2HS06090	GEAR Z22S FEED			1	1	1	1
2	302HN06080	2HN06080	PULLEY PICKUP ASSY			1	1	1	1
3	302F906230	2F906230	PULLEY FEED ASSY			1	1	1	1
4	302RV28110	2RV28110	COVER CASSETTE REAR			1	1	1	1
5	302P794010	2P794010	PARTS SENSOR OPT. SP			1	1	1	1
6	303RA06020	3RA06020	ACTUATOR FEED			1	1	1	1
7	303RA31040	3RA31040	GEAR Z58R-Z41L			1	1	1	1
8	303RA31050	3RA31050	GEAR Z57L			1	1	1	1
9	302LC94292	2LC94292	PARTS MOTOR-BL W10 SP			1	1	1	1
10	303RA31030	3RA31030	GEAR Z104R-Z61L			1	1	1	1
11	303RA31060	3RA31060	GEAR MIDDLE Z26S			1	1	1	1
12	303RA31070	3RA31070	GEAR CLUTCH Z28S			1	1	1	1
13	302NR94010	2NR94010	PARTS CLUTCH 35 Z35R SP			2	2	2	2
14	303RA94010	3RA94010	PARTS PWB PF CONT ASSY SP			1	1	1	1
15	303RA94020	3RA94020	PARTS ROLLER MIDDLE ASSY SP			1	1	1	1
16	303RA06030	3RA06030	ACTUATOR PE			1	1	1	1
101	7BB000304H	BB105720	+BIND M SCREW 3X4						
102	7BB200308H	BB105660	+BIND T.T P SCREW 3X8						
103	7BB700308H	BB105600	+BIND T.T S SCREW 3X8 SR						

• Parts with a Ref.No. of 500 and above in the illustration indicate they are not selected for service parts.

• イラスト中で 500 番台の Ref 番号が付いている部品はサービスパーツに選定されていません。









**KYOCERA Document Solutions Europe B.V.**

Bloemlaan 4, 2132 NP Hoofddorp,  
The Netherlands  
Phone: +31-20-654-0000  
Fax: +31-20-653-1256

**KYOCERA Document Solutions Nederland B.V.**

Beechavenue 25, 1119 RA Schiphol-Rijk,  
The Netherlands  
Phone: +31-20-5877200  
Fax: +31-20-5877260

**KYOCERA Document Solutions (U.K.) Limited**

Eldon Court, 75-77 London Road,  
Reading, Berkshire RG1 5BS,  
United Kingdom  
Phone: +44-118-931-1500  
Fax: +44-118-931-1108

**KYOCERA Document Solutions Italia S.p.A.**

Via Monfalcone 15, 20132, Milano, Italy,  
Phone: +39-02-921791  
Fax: +39-02-92179-600

**KYOCERA Document Solutions Belgium N.V.**

Sint-Martinusweg 199-201 1930 Zaventem,  
Belgium  
Phone: +32-2-7209270  
Fax: +32-2-7208748

**KYOCERA Document Solutions France S.A.S.**

Espace Technologique de St Aubin  
Route de l'Orme 91195 Gif-sur-Yvette CEDEX,  
France  
Phone: +33-1-69852600  
Fax: +33-1-69853409

**KYOCERA Document Solutions Espana, S.A.**

Edificio Kyocera, Avda. de Manacor No.2,  
28290 Las Matas (Madrid), Spain  
Phone: +34-91-6318392  
Fax: +34-91-6318219

© 2016 KYOCERA Document Solutions Inc.

 is a trademark of KYOCERA Corporation

**KYOCERA Document Solutions Finland Oy**

Atomitie 5C, 00370 Helsinki,  
Finland  
Phone: +358-9-47805200  
Fax: +358-9-47805390

**KYOCERA Document Solutions Europe B.V., Amsterdam (NL) Zürich Branch**

Hohlstrasse 614, 8048 Zürich,  
Switzerland  
Phone: +41-44-9084949  
Fax: +41-44-9084950

**KYOCERA Bilgitas Document Solutions Turkey A.S.**

Gülbahar Mahallesi Otello Kamil Sk. No:6 Mecidiyeköy  
34394 Şişli İstanbul, Turkey  
Phone: +90-212-356-7000  
Fax: +90-212-356-6725

**KYOCERA Document Solutions Deutschland GmbH**

Otto-Hahn-Strasse 12, 40670 Meerbusch,  
Germany  
Phone: +49-2159-9180  
Fax: +49-2159-918100

**KYOCERA Document Solutions Austria GmbH**

Altmannsdorferstraße 91, Stiege 1, 2. OG, Top 1, 1120,  
Wien, Austria  
Phone: +43-1-863380  
Fax: +43-1-86338-400

**KYOCERA Document Solutions Nordic AB**

Esbogatan 16B 164 75 Kista, Sweden  
Phone: +46-8-546-550-00  
Fax: +46-8-546-550-10

京セラドキュメントソリューションズ株式会社  
京セラドキュメントソリューションズジャパン株式会社

 は京セラ株式会社の登録商標です。

**KYOCERA Document Solutions Norge Nuf**

Olaf Helsetsv. 6, 0619 Oslo, Norway  
Phone: +47-22-62-73-00  
Fax: +47-22-62-72-00

**KYOCERA Document Solutions Danmark A/S**

Ejby Industrivej 60, DK-2600 Glostrup,  
Denmark  
Phone: +45-70223880  
Fax: +45-45765850

**KYOCERA Document Solutions Portugal Lda.**

Rua do Centro Cultural, 41 (Alvalade) 1700-106 Lisboa,  
Portugal  
Phone: +351-21-843-6780  
Fax: +351-21-849-3312

**KYOCERA Document Solutions South Africa (Pty) Ltd.**

KYOCERA House, Hertford Office Park,  
90 Bekker Road (Cnr. Allandale), Midrand, South Africa  
Phone: +27-11-540-2600  
Fax: +27-11-466-3050

**KYOCERA Document Solutions Russia LLC.**

Building 2, 51/4, Schepkina St., 129110, Moscow,  
Russia  
Phone: +7(495)741-0004  
Fax: +7(495)741-0018

**KYOCERA Document Solutions Middle East**

Dubai Internet City, Bldg. 17,  
Office 157 P.O. Box 500817, Dubai,  
United Arab Emirates  
Phone: +971-04-433-0412

**KYOCERA Document Solutions Inc.**

2-28, 1-chome, Tamatsukuri, Chuo-ku  
Osaka 540-8585, Japan  
Phone: +81-6-6764-3555  
<http://www.kyoceradocumentsolutions.com>