



DP-670

PARTS LIST

Published in October 2007

3K5PL071

843K5121

Rev.1

NOTES

1. Indicate parts number and parts description together with the machine model name when placing an order.

e.g.	Parts Number	Parts Name	Machine Model	Quantity
	303K504010	COVER FRONT	DP-670	1

2. Symbols in the "Parts Number" column.

- Parts with "⊙" indicate regular maintenance parts.

—— CONTENTS ——

FIG. 1	Covers.....	2
FIG. 2	Frames.....	4
FIG. 3	Paper Feed Section.....	6
FIG. 4	Paper Conveying Section.....	8
FIG. 5	Accessories.....	10
	• INDEX.....	12

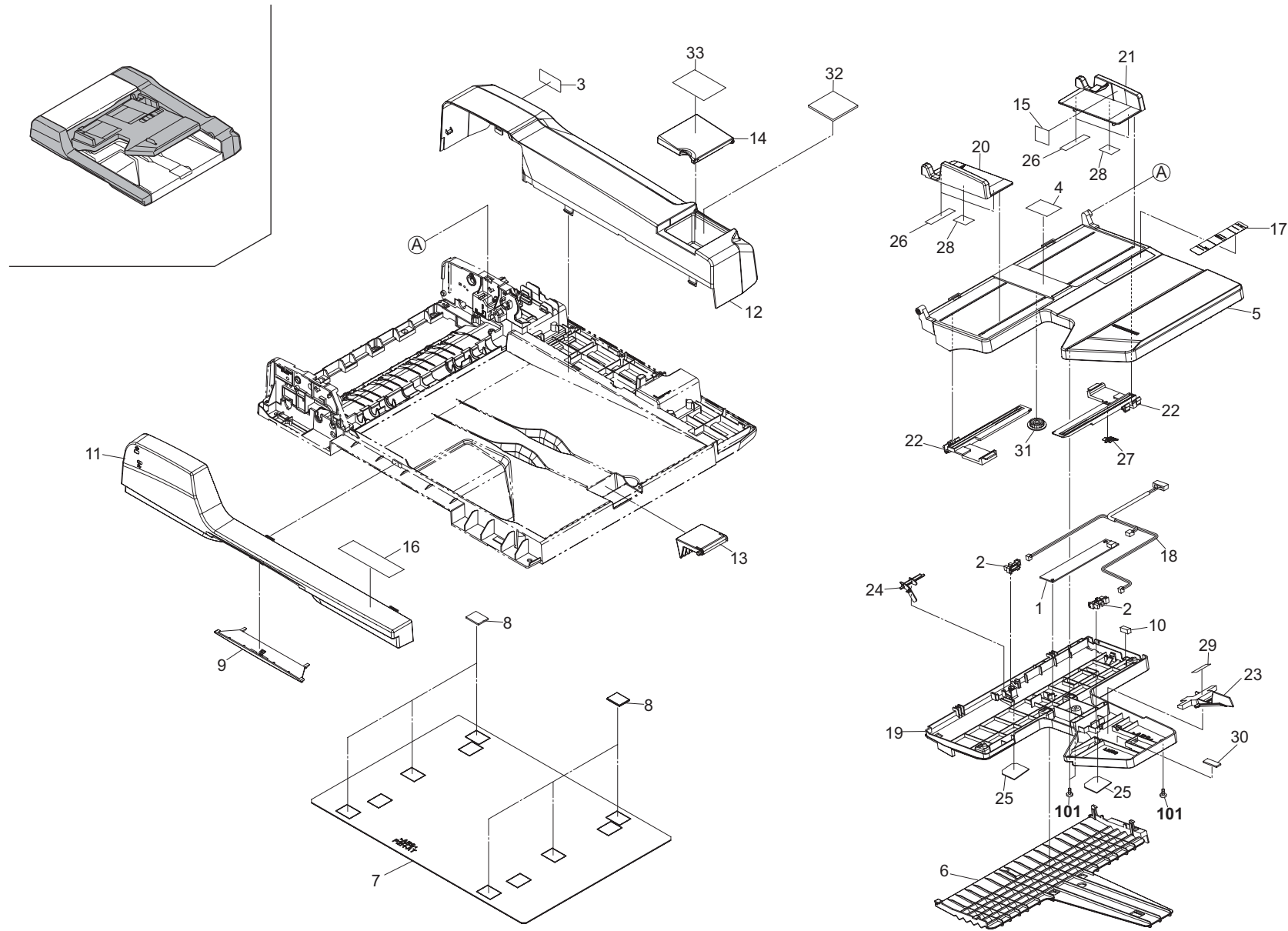


FIG. 1 Covers

3K5-1

Ref. No.	Part.No.	Alternative.	Description	Quantity				Ref. No.	Part.No.	Alternative.	Description	Quantity			
				110	120	230	240					110	120	230	240
⊙ 1	2C901050	2C901050	PCB MPF SIZE ASSY	1	1	1	1	101	BAA63080	BAA63080	+TP TAP-TITE P SCREW M3X08				
⊙ 2	2C927210	2C927210	SENSOR 248NL1	2	2	2	2								
⊙ 3	303H605050	3H605050	LABEL HINGE CAUTION	1	1	1	1								
⊙ 4	303H605110	3H605110	LABEL MSP A	1	1	1	1								
⊙ 5	303HL06011	3HL06011	TABLE ORIGINAL	1	1	1	1								
⊙ 6	303HL10011	3HL10011	TRAY LOOP	1	1	1	1								
⊙ 7	303JC04200	3JC04200	PLATE ORIGINAL	1	1	1	1								
⊙ 8	303JX02320	3JX02320	CUSHION ORIGINAL MAT A	6	6	6	6								
⊙ 9	303JX04080	3JX04080	HANDLE DP	1	1	1	1								
⊙ 10	303K502070	3K502070	SEAL WIRE	1	1	1	1								
⊙ 11	303K504010	3K504010	COVER FRONT	1	1	1	1								
⊙ 12	303K504020	3K504020	COVER REAR	1	1	1	1								
⊙ 13	303K504040	3K504040	STOPPER EJECT ORIGINAL	1	1	1	1								
⊙ 14	303K504050	3K504050	LID REAR COVER	1	1	1	1								
⊙ 15	303K534010	3K534010	LABEL,ORIGINAL SET	1	1	1	1								
⊙ 16	303K534030	3K534030	LABEL CAUTION B ENGLISH	1	1	1	1								
⊙ 17	303K534090	3K534090	LABEL SIZE DIRECTIONS	1	1	1	1								
⊙ 18	303K546010	3K546010	JUNCTION WIRING ORIGINAL TABLE	1	1	1	1								
⊙ 19	3HL06020	3HL06020	COVER TABLE	1	1	1	1								
⊙ 20	3HL06030	3HL06030	FRONT CURSOR TABLE	1	1	1	1								
⊙ 21	3HL06040	3HL06040	REAR CURSOR TABLE	1	1	1	1								
22	3HL06050	3HL06050	RACK TABLE	2	2	2	2								
23	3HL06060	3HL06060	ACTUATOR SIZE DETECTION	1	1	1	1								
24	3HL06070	3HL06070	ACTUATOR LOOP SWITCH	1	1	1	1								
⊙ 25	3HL06080	3HL06080	FILM TABLE PI	2	2	2	2								
26	3HL06090	3HL06090	CUSHION CURSOR	4	4	4	4								
⊙ 27	3HL06110	3HL06110	TERMINAL PAPER SIZE	1	1	1	1								
28	3HL06120	3HL06120	SPACER CURSOR	2	2	2	2								
29	3HL06130	3HL06130	FILM ACTUATOR	1	1	1	1								
30	3HL06140	3HL06140	CUSHION ACTUATOR	1	1	1	1								
⊙ 31	65907210	65907210	GEAR 20,CASSETTE	1	1	1	1								
⊙ 32	303H604090	3H604090	CLOTH CLEANING	1	1	1	1								
⊙ 33	303K534100	3K534100	LABEL CLOTH	1	1	1	1								

• Parts with "⊙" indicate regular maintenance parts.

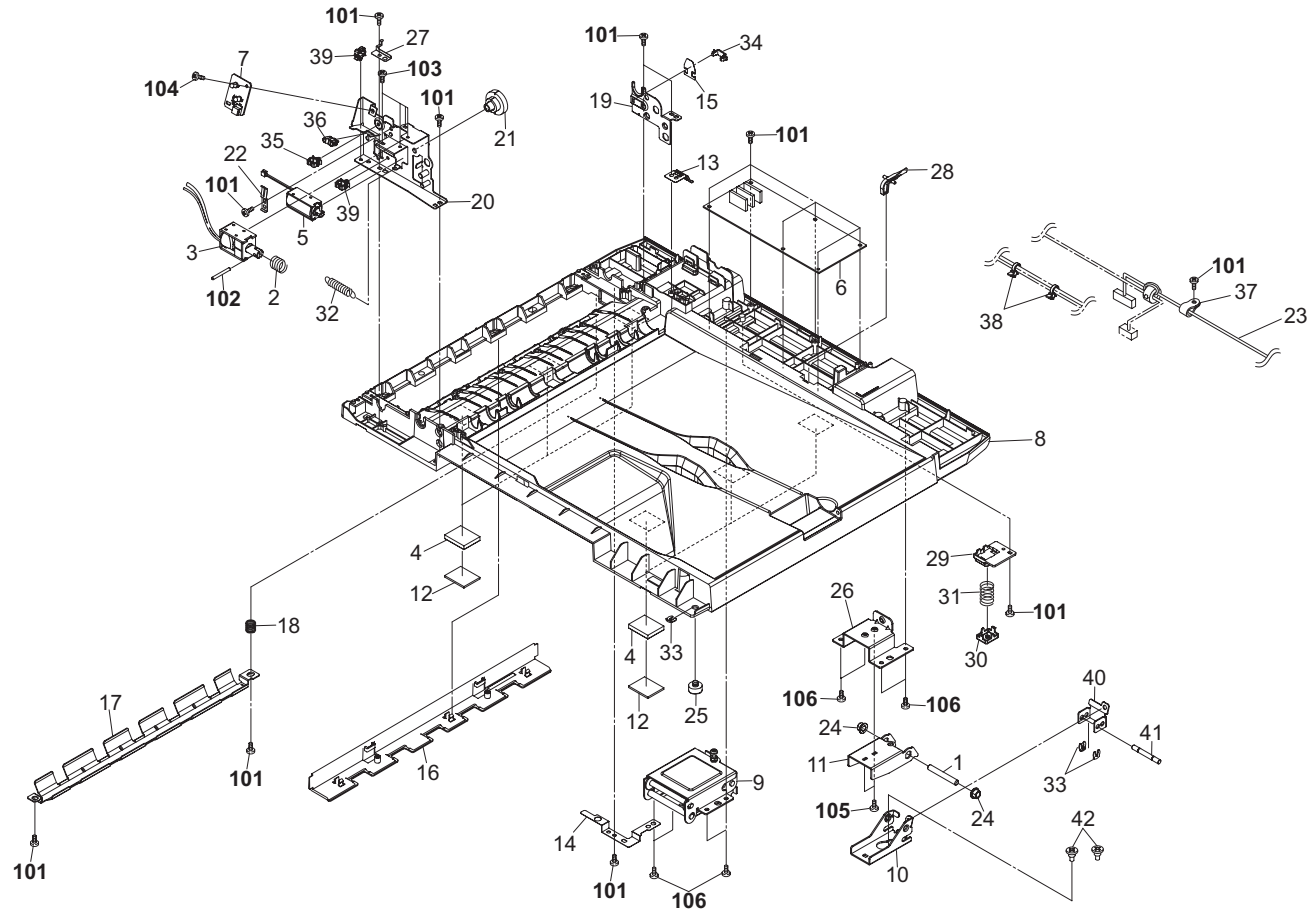
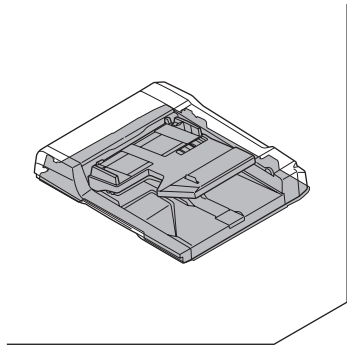


FIG. 2 Frames

3K5-1

Ref. No.	Part.No.	Alternative.	Description	Quantity				Ref. No.	Part.No.	Alternative.	Description	Quantity				
				110	120	230	240					110	120	230	240	
	1	303HL02131	3HL02131	SHAFT HINGE	1	1	1	1	101	BAA63080	BAA63080	+TP TAP-TITE P SCREW M3X08				
	2	303HL10200	3HL10200	SPRING LOOP	1	1	1	1	102	E0030200	48100320	SPRING PIN 3X20				
⊙	3	303HL27122	3HL27122	SOLENOID,PRESSURE PULLEY	1	1	1	1	103	B4A03030	B4A03030	+TP-A SCREW M3X03(TRIVALENT CHRO M				
	4	303J902120	3J902120	CUSHION ORIGINAL MAT B	6	6	6	6	104	5MBTPB3006TW++R	B1A53060	BIND T.T SCREW(+)/ M3 X 6 CRFREE S-T				
⊙	5	303J945010	3J945010	SOLENOID FEED SHIFT	1	1	1	1	105	5MBSP43006NW++R	B4A03060	TP HEAD SCREW(+)/ M3 X 6 DRFREE				
⊙	6	303K594020	3K594020	PARTS,MAIN PWB ASS'Y,SP	1	1	1	1	106	5MBTPB4010PW++R	B1A64100	BIND T.T SCREW(+)/ M4 X 10 CRFREE P-T				
⊙	7	303K594030	3K594030	PARTS,LED PWB ASS'Y,SP	1	1	1	1								
	8	303K502010	3K502010	BASE DP	1	1	1	1								
⊙	9	303K502020	3K502020	LEFT HINGE	1	1	1	1								
	10	303K502040	3K502040	RIGHT HINGE A	1	1	1	1								
	11	303K502050	3K502050	RIGHT HINGE B	1	1	1	1								
	12	303K502080	3K502080	SPONGE ORIGINAL MAT	6	6	6	6								
	13	303K502090	3K502090	GROUND PLATE MOTOR	1	1	1	1								
	14	303K502100	3K502100	GROUND PLATE LEFT GUIDE	1	1	1	1								
	15	303K502150	3K502150	FILM WIRE	1	1	1	1								
⊙	16	303K504030	3K504030	COVER LEFT	1	1	1	1								
⊙	17	303K524010	3K524010	GUIDE READING	1	1	1	1								
	18	303K524060	3K524060	SPRING READING GUIDE	1	1	1	1								
	19	303K531010	3K531010	MOUNT GUIDE	1	1	1	1								
	20	303K531110	3K531110	FRONT FRAME CONVEYING	1	1	1	1								
⊙	21	303K531130	3K531130	GEAR 30 JAM REMOVENT	1	1	1	1								
	22	303K531190	3K531190	GROUND PLATE PF	1	1	1	1								
⊙	23	303K546050	3K546050	WIRE INTERFACE	1	1	1	1								
⊙	24	3CY07080	3CY07080	BUSHING 6	2	2	2	2								
	25	3H602250	3H602250	CUSHION RUBBER	1	1	1	1								
	26	3HL02050	3HL02050	ADJUSTING PLATE A HINGE	1	1	1	1								
	27	3HL02120	3HL02120	GROUND PLATE CONVEYING	1	1	1	1								
	28	303K502200	3K502200	ACTUATOR BASE	1	1	1	1								
	29	3HL02230	3HL02230	MOUNT PUSH SW	1	1	1	1								
	30	3HL02240	3HL02240	PUSH SW DP	1	1	1	1								
	31	3HL02250	3HL02250	SPRING,PUSH SWITCH	1	1	1	1								
	32	3HL10090	3HL10090	SPRING,LF SHIFT GUIDE	1	1	1	1								
	33	5MVX111DN003	2A806250	RING STOPPER /A-49 FEED A4	3	3	3	3								
	34	7YZM390011++H01	YZ050250	ACCESS.CLAMP	1	1	1	1								
	35	7YZM610008++H01	YZ037940	ACCESS.SADDLE	1	1	1	1								
	36	M2104260	M2104260	EDGING,EDS-0607U(KITAGAWA)	1	1	1	1								
	37	M2105030	M2105030	NYLON CLAMP 5N,NK-5N	1	1	1	1								
	38	M2607010	M2607010	BINDING BAND,PLT1M	2	2	2	2								
	39	M70AK010	M70AK010	WIRE SADDLE,RMS-1V0(TAKEUCHI)	2	2	2	2								
	40	303K502060	3K502060	PLATE LIMITATION	1	1	1	1								
	41	303K502140	3K502140	SHAFT HINGE	1	1	1	1								
	42	303K502180	3K502180	PIN DP	2	2	2	2								

• Parts with "⊙" indicate regular maintenance parts.

FIG. 3 Paper Feed Section

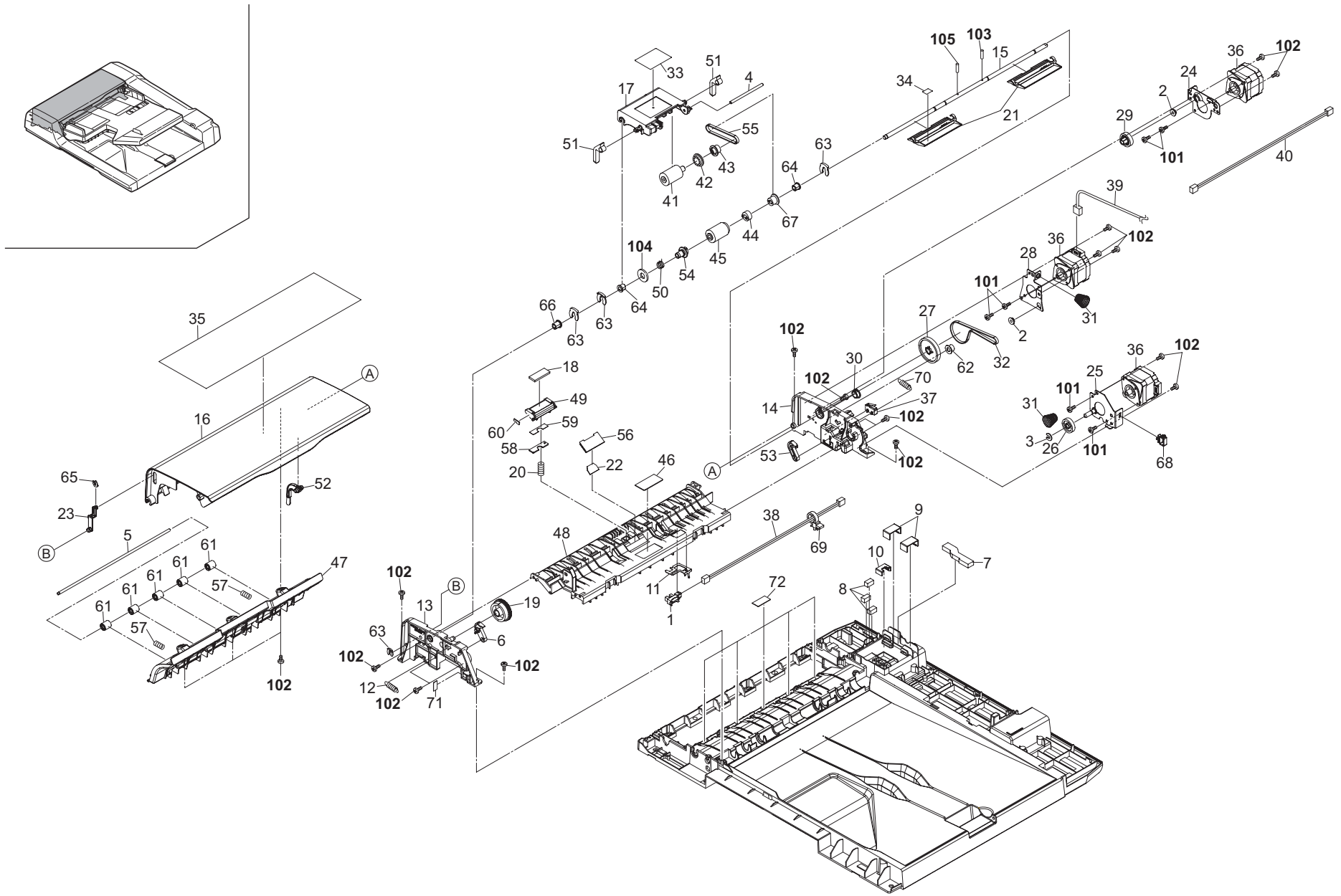


FIG. 3 Paper Feed Section

3K5-1

Ref. No.	Part.No.	Alternative.	Description	Quantity				Ref. No.	Part.No.	Alternative.	Description	Quantity					
				110	120	230	240					110	120	230	240		
⊙	1	2C927210	2C927210	SENSOR 248NL1	1	1	1	1	51	3HL07140	3HL07140	STOPPER ORIGINAL	2	2	2	2	
⊙	2	302F929140	2F929140	BUSH DU	2	2	2	2	52	3HL07150	3HL07150	ACTUATOR ORIGINAL SET	1	1	1	1	
⊙	3	302FB09830	2FB09830	CUT WASHER 4	1	1	1	1	53	3HL07170	3HL07170	REAR HOOK PF COVER	1	1	1	1	
⊙	4	303HL07031	3HL07031	SHAFT LEADING FEED	1	1	1	1	54	3HL07180	3HL07180	BOSS LIFT	1	1	1	1	
⊙	5	303HL07131	3HL07131	SHAFT REGISTRATION	1	1	1	1	⊙	55	3HL07190	3HL07190	BELT 150S2M,PAPER FEED	1	1	1	1
⊙	6	303HL07161	3HL07161	FRONT HOOK PF COVER	1	1	1	1	56	3HL07300	3HL07300	FILM LEADING	1	1	1	1	
⊙	7	303K502030	3K502030	SEAL WIRE L	1	1	1	1	57	3HL07310	3HL07310	SPRING REGISTRATION B	2	2	2	2	
⊙	8	303K502070	3K502070	SEAL WIRE	3	3	3	3	58	3HL07411	3HL07411	WEIGHT PAD	1	1	1	1	
⊙	9	303K502110	3K502110	HOLDER WIRE	2	2	2	2	59	3HL07421	3HL07421	TAPE WEIGHT	1	1	1	1	
⊙	10	303K502120	3K502120	HOLDER WIRE B	1	1	1	1	60	3HL07450	3HL07450	CUSHION SEPARATION	1	1	1	1	
⊙	11	303K502160	3K502160	GROUND PLATE PI	1	1	1	1	⊙	61	3HL08080	3HL08080	PULLEY CONVEYING	5	5	5	5
⊙	12	303K502170	3K502170	SPRING HOOK PF	1	1	1	1	62	3HL22160	3HL22160	PULLEY REAR SUPPORT	1	1	1	1	
⊙	13	303K507010	3K507010	FRONT FRAME PF	1	1	1	1	63	5MVL177DN001	2FB06810	RING STOPPER 4	4	4	4	4	
⊙	14	303K507020	3K507020	REAR FRAME PF	1	1	1	1	64	5MVM176DN026	2A806030	BUSH FEED /A-49 FEED A4	2	2	2	2	
⊙	15	303K507030	3K507030	SHAFT PF	1	1	1	1	65	5MVX111DN003	2A806250	RING STOPPER /A-49 FEED A4	1	1	1	1	
⊙	16	303K507040	3K507040	COVER PF	1	1	1	1	66	60606101	60606101	BUSHING FEED BACK ROLLER	1	1	1	1	
⊙	17	303K507051	3K507051	HOLDER LEADING FEED	1	1	1	1	67	68721640	68721640	PULLEY 20,DUPLX CONVEYING	1	1	1	1	
⊙	18	303K507060	3K507060	PAD SEPARATION	1	1	1	1	68	7YZM610010++H01	YZ042990	ACCESS,SADDLE	1	1	1	1	
⊙	19	303K507070	3K507070	DIAL JAM REMOVENT	1	1	1	1	69	M2607010	M2607010	BINDING BAND,PLT1M	1	1	1	1	
⊙	20	303K507080	3K507080	SPRING SEPARATION	1	1	1	1	70	3HL07240	3HL07240	SPRING HOOK	1	1	1	1	
⊙	21	303K507090	3K507090	GUIDE PF	2	2	2	2	71	303K529020	3K529020	CUSHION LEVER PRESSURE	1	1	1	1	
⊙	22	303K507100	3K507100	PAD FRONT SEP	1	1	1	1	72	303K524110	3K524110	FILM PULLEY	5	5	5	5	
⊙	23	303K507110	3K507110	STOPPER PF COVER	1	1	1	1									
⊙	24	303K531020	3K531020	MOUNT PF DRIVE	1	1	1	1									
⊙	25	303K531030	3K531030	MOUNT LOOP DRIVE	1	1	1	1									
⊙	26	303K531040	3K531040	GEAR 42	1	1	1	1									
⊙	27	303K531080	3K531080	GEAR 78 CONVEYING	1	1	1	1									
⊙	28	303K531090	3K531090	MOUNT C DRIVE	1	1	1	1	101	5MBTPB3006TW++R	B1A53060	BIND T.T SCREW(+)/ M3 X 6 CRFREE S-T					
⊙	29	303K531100	3K531100	GEAR 41 PF	1	1	1	1	102	BAA63080	BAA63080	+TP TAP-TITE P SCREW M3X08					
⊙	30	303K531180	3K531180	BUSHING PF	1	1	1	1	103	E0020080	48100208	SPRING PIN 2X8					
⊙	31	303K531200	3K531200	SPRING GND	2	2	2	2	104	C2895950	C2895950	SHIM 6.2-1.0T					
⊙	32	303K531220	3K531220	BELT EJECT	1	1	1	1	105	5MBP2010WXSP	E0020100	SPRING PIN / M2 X 10 S-BLK					
⊙	33	303K534040	3K534040	LABEL JAM REMOVENT	1	1	1	1									
⊙	34	303K534050	3K534050	LABEL C	1	1	1	1									
⊙	35	303K534020	3K534020	LABEL CAUTION A (I,C) SF	1	1	1	1									
⊙	36	303K544010	3K544010	MOTOR DP	3	3	3	3									
⊙	37	303K544030	3K544030	SWITCH INTERLOCK	1	1	1	1									
⊙	38	303K546021	3K546021	JUNCTION WIRING SET SENSOR	1	1	1	1									
⊙	39	303K546040	3K546040	JUNCTION WIRING MOTOR	1	1	1	1									
⊙	40	303K546070	3K546070	JUNCTION WIRING FEED MOTOR	1	1	1	1									
⊙	41	36211110	36211110	PULLEY,LEADING FEED ADF	1	1	1	1									
⊙	42	36211500	36211500	GEAR,LEADING FEED JOINT	1	1	1	1									
⊙	43	303A707121	3A707121	PULLEY LEADING FEED	1	1	1	1									
⊙	44	3BC07130	3BC07130	ONE-WAY CLUTCH 6	1	1	1	1									
⊙	45	3BR07040	3BR07040	PULLEY,PAPER FEED	1	1	1	1									
⊙	46	3HK07240	3HK07240	FRICTION PLATE LF	1	1	1	1									
⊙	47	3HL07060	3HL07060	UPPER GUIDE PAPER FEED	1	1	1	1									
⊙	48	3HL07070	3HL07070	LOWER GUIDE PAPER FEED	1	1	1	1									
⊙	49	3HL07091	3HL07091	HOLDER SEPARATION	1	1	1	1									
⊙	50	3HL07110	3HL07110	SPRING,LIFT	1	1	1	1									

• Parts with "⊙" indicate regular maintenance parts.

FIG. 4 Paper Conveying Section

3K5-1

Ref. No.	Part.No.	Alternative.	Description	Quantity				Ref. No.	Part.No.	Alternative.	Description	Quantity			
				110	120	230	240					110	120	230	240
1	2BC06910	2BC06910	STOPPER 6	2	2	2	2	101	5MBP2010WXSP	E0020100	SPRING PIN / M2 X 10 S-BLK				
2	2C927210	2C927210	SENSOR 248NL1	1	1	1	1	102	BAA63080	BAA63080	+TP TAP-TITE P SCREW M3X08				
3	302FB09830	2FB09830	CUT WASHER 4	3	3	3	3	103	5MBTPB3014TW++R	B1A53140	BIND T.T SCREW(+)/ M3 X 14 CRFREE S-T				
4	302H094480	2H094480	PARTS FAN MAIN PWB SP	1	1	1	1								
5	303HL07131	3HL07131	SHAFT REGISTRATION	1	1	1	1								
6	303HL10041	3HL10041	SHAFT LOOP PULLEY	1	1	1	1								
7	303HL10111	3HL10111	SHAFT EJECT PULLEY	1	1	1	1								
8	303HL22200	3HL22200	PLATE GND	2	2	2	2								
9	303K594010	3K594010	PARTS CONVEYING ROLLER ASSY SP	1	1	1	1								
10	303K502070	3K502070	SEAL WIRE	6	6	6	6								
11	303K594060	3K594060	PARTS STATIC ELEMINATOR EJECT SP	1	1	1	1								
12	303K502190	3K502190	MOUNT FAN	1	1	1	1								
13	303K524030	3K524030	GUIDE LEFT	1	1	1	1								
14	303K524040	3K524040	HOLDER LEFT PULLEY	5	5	5	5								
15	303K524050	3K524050	SPRING LEFT PULLEY	5	5	5	5								
16	303K524070	3K524070	FILM CONVEYING	1	1	1	1								
17	303K524100	3K524100	MOUNT PI	1	1	1	1								
18	303K594040	3K594040	PARTS ROLLER EJECT SP	1	1	1	1								
19	303K594050	3K594050	PARTS ROLLER LOOP SP	1	1	1	1								
20	303K531050	3K531050	GEAR 25	1	1	1	1								
21	303K531060	3K531060	PULLEY LOOP 18	1	1	1	1								
22	303K531070	3K531070	PULLEY 57 ASS'Y	1	1	1	1								
23	303K531120	3K531120	GEAR 48 LOOP ROLLER	1	1	1	1								
24	303K531140	3K531140	GEAR 16 EJECT R	1	1	1	1								
25	303K531150	3K531150	GEAR 16 EJECT L	1	1	1	1								
26	303K531160	3K531160	GEAR 15 IDLE R	1	1	1	1								
27	303K531170	3K531170	GEAR 15 IDLE L	1	1	1	1								
28	303K531200	3K531200	SPRING GND	1	1	1	1								
29	303K531210	3K531210	SPACER PULLEY	1	1	1	1								
30	303K546030	3K546030	JUNCTION WIRING REGIST SENSOR	1	1	1	1								
31	303K546061	3K546061	JUNCTION WIRING SOLENOID	1	1	1	1								
32	3CY07080	3CY07080	BUSHING 6	4	4	4	4								
33	3H608150	3H608150	SHAFT C PULLEY	5	5	5	5								
34	3HL08010	3HL08010	GUIDE CONVEYING	1	1	1	1								
35	3HL08020	3HL08020	GUIDE B CONVEYING	1	1	1	1								
36	3HL08070	3HL08070	ACTUATOR CONVEYING TIMING	1	1	1	1								
37	3HL08080	3HL08080	PULLEY CONVEYING	7	7	7	7								
38	3HL08090	3HL08090	SPRING,CONVEYING PULLEY	2	2	2	2								
39	3HL08130	3HL08130	SPRING,CONVEYING ACTUATOR	1	1	1	1								
40	3HL08140	3HL08140	BUSHING 8	2	2	2	2								
41	3HL10020	3HL10020	GUIDE LOOP FEED SHIFT	1	1	1	1								
42	3HL10050	3HL10050	HOLDER LOOP PULLEY	1	1	1	1								
43	3HL10060	3HL10060	LEVER LOOP PRESSURE	1	1	1	1								
44	3HL10070	3HL10070	SPRING,LOOP PRESSURE	2	2	2	2								
45	3HL10120	3HL10120	SPRING,EJECT PULLEY	1	1	1	1								
46	3HL10140	3HL10140	PULLEY LOOP	7	7	7	7								
47	5MVX111DN003	2A806250	RING STOPPER /A-49 FEED A4	4	4	4	4								
48	60606101	60606101	BUSHING FEED BACK ROLLER	1	1	1	1								
49	M2607010	M2607010	BINDING BAND,PLT1M	1	1	1	1								

• Parts with "⊙" indicate regular maintenance parts.

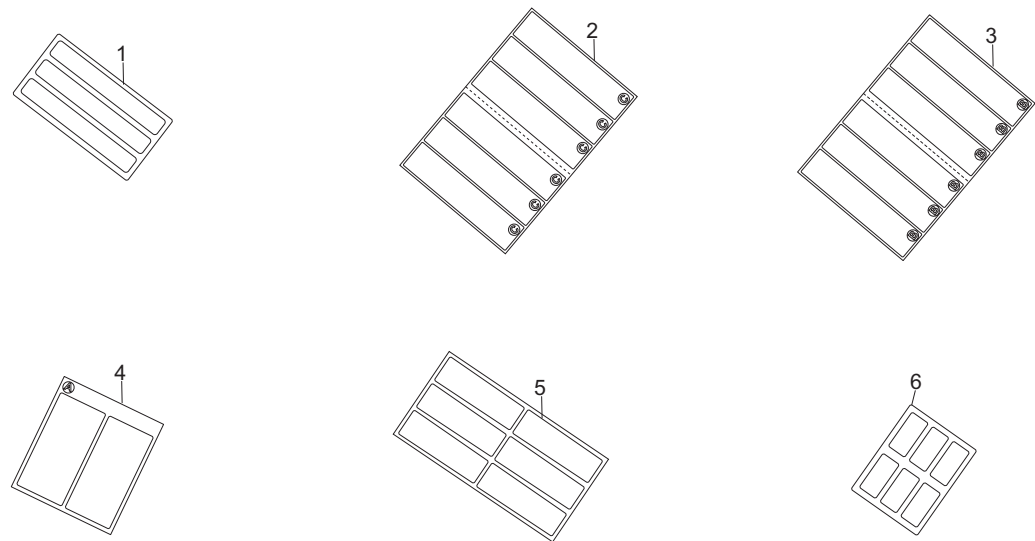


FIG. 5 Accessories

3K5-1

Ref. No.	Part.No.	Alternative.	Description	Quantity			
				110	120	230	240
1	303K534120	3K534120	LABEL CAUTION A (I) 3NATIONS SF		1		
2	303K534130	3K534130	LABEL CAUTION A (C) 6NATIONS SF	1		1	1
3	303K534140	3K534140	LABEL CAUTION A (C) 6NATIONS WC	1		1	1
4	303K534110	3K534110	LABEL CAUTION A (C) WC	1		1	1
5	303K534160	3K534160	LABEL CAUTION B 6NATIONS	1	1	1	1
6	303JX34150	3JX34150	LABEL FACE UP 6NATIONS	1	1	1	1

• Parts with "⊙" indicate regular maintenance parts.

INDEX

3K5-1

Part.No.	Alternative.	Description	Fig.No.
2BC06910	2BC06910	STOPPER 6	4
⊙ 2C901050	2C901050	PCB MPF SIZE ASSY	1
⊙ 2C927210	2C927210	SENSOR 248NL1	1,3,4
⊙ 302F929140	2F929140	BUSH DU	3
302FB09830	2FB09830	CUT WASHER 4	3,4
⊙ 302H094480	2H094480	PARTS FAN MAIN PWB SP	4
303A707121	3A707121	PULLEY LEADING FEED	3
⊙ 303H604090	3H604090	CLOTH CLEANING	1
303H605050	3H605050	LABEL HINGE CAUTION	1
303H605110	3H605110	LABEL MSP A	1
303HL02131	3HL02131	SHAFT HINGE	2
⊙ 303HL06011	3HL06011	TABLE ORIGINAL	1
303HL07031	3HL07031	SHAFT LEADING FEED	3
303HL07131	3HL07131	SHAFT REGISTRATION	3,4
303HL07161	3HL07161	FRONT HOOK PF COVER	3
⊙ 303HL10011	3HL10011	TRAY LOOP	1
303HL10041	3HL10041	SHAFT LOOP PULLEY	4
303HL10111	3HL10111	SHAFT EJECT PULLEY	4
303HL10200	3HL10200	SPRING LOOP	2
303HL22200	3HL22200	PLATE GND	4
⊙ 303HL27122	3HL27122	SOLENOID,PRESSURE PULLEY	2
303J902120	3J902120	CUSHION ORIGINAL MAT B	2
⊙ 303J945010	3J945010	SOLENOID FEED SHIFT	2
⊙ 303JC04200	3JC04200	PLATE ORIGINAL	1
303JX02320	3JX02320	CUSHION ORIGINAL MAT A	1
⊙ 303JX04080	3JX04080	HANDLE DP	1
303JX34150	3JX34150	LABEL FACE UP 6NATIONS	5
⊙ 303K502010	3K502010	BASE DP	2
303K502020	3K502020	LEFT HINGE	2
303K502030	3K502030	SEAL WIRE L	3
303K502040	3K502040	RIGHT HINGE A	2
303K502050	3K502050	RIGHT HINGE B	2
303K502060	3K502060	PLATE LIMITATION	2
303K502070	3K502070	SEAL WIRE	1,3,4
303K502080	3K502080	SPONGE ORIGINAL MAT	2
303K502090	3K502090	GROUND PLATE MOTOR	2
303K502100	3K502100	GROUND PLATE LEFT GUIDE	2
303K502110	3K502110	HOLDER WIRE	3
303K502120	3K502120	HOLDER WIRE B	3
303K502140	3K502140	SHAFT HINGE	2
303K502150	3K502150	FILM WIRE	2
303K502160	3K502160	GROUND PLATE PI	3
303K502170	3K502170	SPRING HOOK PF	3
303K502180	3K502180	PIN DP	2
303K502190	3K502190	MOUNT FAN	4
303K502200	3K502200	ACTUATOR BASE	2
⊙ 303K504010	3K504010	COVER FRONT	1
⊙ 303K504020	3K504020	COVER REAR	1
⊙ 303K504030	3K504030	COVER LEFT	2
⊙ 303K504040	3K504040	STOPPER EJECT ORIGINAL	1

Part.No.	Alternative.	Description	Fig.No.
⊙ 303K504050	3K504050	LID REAR COVER	1
303K507010	3K507010	FRONT FRAME PF	3
303K507020	3K507020	REAR FRAME PF	3
303K507030	3K507030	SHAFT PF	3
⊙ 303K507040	3K507040	COVER PF	3
303K507051	3K507051	HOLDER LEADING FEED	3
⊙ 303K507060	3K507060	PAD SEPARATION	3
⊙ 303K507070	3K507070	DIAL JAM REMOVENTMENT	3
303K507080	3K507080	SPRING SEPARATION	3
⊙ 303K507090	3K507090	GUIDE PF	3
⊙ 303K507100	3K507100	PAD FRONT SEP	3
⊙ 303K507110	3K507110	STOPPER PF COVER	3
⊙ 303K524010	3K524010	GUIDE READING	2
303K524030	3K524030	GUIDE LEFT	4
303K524040	3K524040	HOLDER LEFT PULLEY	4
303K524050	3K524050	SPRING LEFT PULLEY	4
303K524060	3K524060	SPRING READING GUIDE	2
⊙ 303K524070	3K524070	FILM CONVEYING	4
303K524100	3K524100	MOUNT PI	4
303K524110	3K524110	FILM PULLEY	3
303K529020	3K529020	CUSHION LEVER PRESSURE	3
303K531010	3K531010	MOUNT GUIDE	2
303K531020	3K531020	MOUNT PF DRIVE	3
303K531030	3K531030	MOUNT LOOP DRIVE	3
⊙ 303K531040	3K531040	GEAR 42	3
⊙ 303K531050	3K531050	GEAR 25	4
303K531060	3K531060	PULLEY LOOP 18	4
⊙ 303K531070	3K531070	PULLEY 57 ASS'Y	4
⊙ 303K531080	3K531080	GEAR 78 CONVEYING	3
303K531090	3K531090	MOUNT C DRIVE	3
⊙ 303K531100	3K531100	GEAR 41 PF	3
303K531110	3K531110	FRONT FRAME CONVEYING	2
⊙ 303K531120	3K531120	GEAR 48 LOOP ROLLER	4
⊙ 303K531130	3K531130	GEAR 30 JAM REMOVENTMENT	2
⊙ 303K531140	3K531140	GEAR 16 EJECT R	4
⊙ 303K531150	3K531150	GEAR 16 EJECT L	4
⊙ 303K531160	3K531160	GEAR 15 IDLE R	4
⊙ 303K531170	3K531170	GEAR 15 IDLE L	4
303K531180	3K531180	BUSHING PF	3
303K531190	3K531190	GROUND PLATE PF	2
303K531200	3K531200	SPRING GND	3,4
303K531210	3K531210	SPACER PULLEY	4
⊙ 303K531220	3K531220	BELT EJECT	3
303K534010	3K534010	LABEL,ORIGINAL SET	1
⊙ 303K534020	3K534020	LABEL CAUTION A (I,C) SF	3
⊙ 303K534030	3K534030	LABEL CAUTION B ENGLISH	1
⊙ 303K534040	3K534040	LABEL JAM REMOVENTMENT	3
303K534050	3K534050	LABEL C	3
⊙ 303K534090	3K534090	LABEL SIZE DIRECTIONS	1
⊙ 303K534100	3K534100	LABEL CLOTH	1

• Parts with "⊙" indicate regular maintenance parts.

Part.No.	Alternative.	Description	Fig.No.
303K534110	3K534110	LABEL CAUTION A (C) WC	5
303K534120	3K534120	LABEL CAUTION A (I) 3NATIONS SF	5
303K534130	3K534130	LABEL CAUTION A (C) 6NATIONS SF	5
303K534140	3K534140	LABEL CAUTION A (C) 6NATIONS WC	5
303K534160	3K534160	LABEL CAUTION B 6NATIONS	5
⊙ 303K544010	3K544010	MOTOR DP	3
⊙ 303K544030	3K544030	SWITCH INTERLOCK	3
303K546010	3K546010	JUNCTION WIRING ORIGINAL TABLE	1
303K546021	3K546021	JUNCTION WIRING SET SENSOR	3
303K546030	3K546030	JUNCTION WIRING REGIST SENSOR	4
303K546040	3K546040	JUNCTION WIRING MOTOR	3
⊙ 303K546050	3K546050	WIRE INTERFACE	2
303K546061	3K546061	JUNCTION WIRING SOLENOID	4
303K546070	3K546070	JUNCTION WIRING FEED MOTOR	3
⊙ 303K594010	3K594010	PARTS CONVEYING ROLLER ASSY SP	4
⊙ 303K594020	3K594020	PARTS,MAIN PWB ASS'Y,SP	2
⊙ 303K594030	3K594030	PARTS,LED PWB ASS'Y,SP	2
⊙ 303K594040	3K594040	PARTS ROLLER EJECT SP	4
⊙ 303K594050	3K594050	PARTS ROLLER LOOP SP	4
⊙ 303K594060	3K594060	PARTS STATIC ELEMENATOR EJECT SP	4
36211110	36211110	PULLEY,LEADING FEED ADF	3
36211500	36211500	GEAR,LEADING FEED JOINT	3
⊙ 3BC07130	3BC07130	ONE-WAY CLUTCH 6	3
⊙ 3BR07040	3BR07040	PULLEY,PAPER FEED	3
3CY07080	3CY07080	BUSHING 6	2,4
⊙ 3H602250	3H602250	CUSHION RUBBER	2
3H608150	3H608150	SHAFT C PULLEY	4
⊙ 3HK07240	3HK07240	FRICTION PLATE LF	3
3HL02050	3HL02050	ADJUSTING PLATE A HINGE	2
3HL02120	3HL02120	GROUND PLATE CONVEYING	2
3HL02230	3HL02230	MOUNT PUSH SW	2
3HL02240	3HL02240	PUSH SW DP	2
3HL02250	3HL02250	SPRING,PUSH SWITCH	2
⊙ 3HL06020	3HL06020	COVER TABLE	1
⊙ 3HL06030	3HL06030	FRONT CURSOR TABLE	1
⊙ 3HL06040	3HL06040	REAR CURSOR TABLE	1
3HL06050	3HL06050	RACK TABLE	1
3HL06060	3HL06060	ACTUATOR SIZE DETECTION	1
3HL06070	3HL06070	ACTUATOR LOOP SWITCH	1
⊙ 3HL06080	3HL06080	FILM TABLE PI	1
3HL06090	3HL06090	CUSHION CURSOR	1
⊙ 3HL06110	3HL06110	TERMINAL PAPER SIZE	1
3HL06120	3HL06120	SPACER CURSOR	1
3HL06130	3HL06130	FILM ACTUATOR	1
3HL06140	3HL06140	CUSHION ACTUATOR	1
3HL07060	3HL07060	UPPER GUIDE PAPER FEED	3
3HL07070	3HL07070	LOWER GUIDE PAPER FEED	3
3HL07091	3HL07091	HOLDER SEPARATION	3
3HL07110	3HL07110	SPRING,LIFT	3
3HL07140	3HL07140	STOPPER ORIGINAL	3

Part.No.	Alternative.	Description	Fig.No.
3HL07150	3HL07150	ACTUATOR ORIGINAL SET	3
3HL07170	3HL07170	REAR HOOK PF COVER	3
3HL07180	3HL07180	BOSS LIFT	3
⊙ 3HL07190	3HL07190	BELT 150S2M,PAPER FEED	3
3HL07240	3HL07240	SPRING HOOK	3
3HL07300	3HL07300	FILM LEADING	3
3HL07310	3HL07310	SPRING REGISTRATION B	3
3HL07411	3HL07411	WEIGHT PAD	3
3HL07421	3HL07421	TAPE WEIGHT	3
3HL07450	3HL07450	CUSHION SEPARATION	3
3HL08010	3HL08010	GUIDE CONVEYING	4
3HL08020	3HL08020	GUIDE B CONVEYING	4
3HL08070	3HL08070	ACTUATOR CONVEYING TIMING	4
⊙ 3HL08080	3HL08080	PULLEY CONVEYING	3,4
3HL08090	3HL08090	SPRING,CONVEYING PULLEY	4
3HL08130	3HL08130	SPRING,CONVEYING ACTUATOR	4
3HL08140	3HL08140	BUSHING 8	4
3HL10020	3HL10020	GUIDE LOOP FEED SHIFT	4
3HL10050	3HL10050	HOLDER LOOP PULLEY	4
3HL10060	3HL10060	LEVER LOOP PRESSURE	4
3HL10070	3HL10070	SPRING,LOOP PRESSURE	4
3HL10090	3HL10090	SPRING,LF SHIFT GUIDE	2
3HL10120	3HL10120	SPRING,EJECT PULLEY	4
⊙ 3HL10140	3HL10140	PULLEY LOOP	4
3HL22160	3HL22160	PULLEY REAR SUPPORT	3
5MVL177DN001	2FB06810	RING STOPPER 4	3
5MVM176DN026	2A806030	BUSH FEED /A-49 FEED A4	3
5MVX111DN003	2A806250	RING STOPPER /A-49 FEED A4	2,3,4
60606101	60606101	BUSHING FEED BACK ROLLER	3,4
⊙ 65907210	65907210	GEAR 20,CASSETTE	1
68721640	68721640	PULLEY 20,DUPLEX CONVEYING	3
7YZM390011++H01	YZ050250	ACCESS.CLAMP	2
7YZM610008++H01	YZ037940	ACCESS.SADDLE	2
7YZM610010++H01	YZ042990	ACCESS.SADDLE	3
M2104260	M2104260	EDGING,EDS-0607U(KITAGAWA)	2
M2105030	M2105030	NYLON CLAMP 5N,NK-5N	2
M2607010	M2607010	BINDING BAND,PLT1M	2,3,4
M70AK010	M70AK010	WIRE SADDLE,RMS-1V0(TAKEUCHI)	2

• Parts with "⊙" indicate regular maintenance parts.

KYOCERA MITA EUROPE B.V.

Hoeksteen 40, 2132 MS Hoofddorp,
The Netherlands
Phone: +31.20.654.0000
Home page: <http://www.kyoceramita-europe.com>
Email: info@kyoceramita-europe.com

KYOCERA MITA NEDERLAND B.V.
Beechavenue 25, 1119RA Schiphol-Rijk
The Netherlands
Phone: +31.20.58.77.200

KYOCERA MITA (UK) LTD
8 Beacontree Plaza
Gillette Way Reading Berks RG2 0BS,
U.K.
Phone: +44.1189.311.500

KYOCERA MITA ITALIA S.p.A.
Via G. Verdi, 89 / 91, 20063 Cernusco s/N
Milano, Italy
Phone: +39.02.92179.1

S.A. KYOCERA MITA BELGIUM N.V.
Hermesstraat 8A, 1930 Zaventem,
Belgium
Phone: +32.2.720.9270

KYOCERA MITA FRANCE S.A.
Parc Les Algorithmes Saint Aubin
91194 GIF-SUR-YVETTE,
France
Phone: +33.1.6985.2600

KYOCERA MITA ESPAÑA S.A.
Edificio Kyocera, Avda de Manacor No. 2,
28290 Las Matas (Madrid),
Spain
Phone: +34.91.631.8392

KYOCERA MITA FINLAND OY
Kirvesmiehenkatu 4, 00880 Helsinki,
Finland
Phone: +358.9.4780.5200

KYOCERA MITA (SCHWEIZ)
Hohlstrasse 614, 8048 Zürich
Switzerland
Phone: +41.1.908.4949

KYOCERA MITA DEUTSCHLAND GMBH
Otto-Hahn-Str. 12 D-40670 Meerbusch,
Germany
Phone: +49.2159.918.0

KYOCERA MITA GMBH AUSTRIA
Eduard-Kittenberger-Gasse 95,
1230 Wien,
Austria
Phone: +43.1.86338.210

KYOCERA MITA SVENSKA AB
Esbogatan 16B 164 75 Kista,
Sweden
Phone: +46.8.546.55000

KYOCERA MITA NORGE
Postboks 150 Oppsal, NO 0619 Oslo
Olaf Helssetsvei 6, NO 0694 Oslo,
Norway
Phone: +47.22.62.73.00

KYOCERA MITA DANMARK A/S
Ejby Industrivej 1, DK-2600 Glostrup,
Denmark
Phone: +45.5687.1100

KYOCERA MITA PORTUGAL LDA.
Rua do Centro Cultural, 41 (Alvalade) 1700-106 Lisbon,
Portugal
Phone: +351.21.842.9100

KYOCERA MITA SOUTH AFRICA (PTY) LTD.
527 Kyalami Boulevard,
Kyalami Business Park Midrand,
South Africa
Phone: +27.(0)11.540.2600

KYOCERA MITA AMERICA, INC.

Headquarters:
225 Sand Road,
Fairfield, New Jersey 07004-0008,
U.S.A.
Phone: (973) 808-8444

KYOCERA MITA AUSTRALIA PTY. LTD.
Level 3, 6-10 Talavera Road, North Ryde,
N.S.W. 2113 Australia
Phone: (02) 9888-9999

KYOCERA MITA NEW ZEALAND LTD.
1-3 Parkhead Place, Albany
P.O. Box 302 125 NHPC, Auckland,
New Zealand
Phone: (09) 415-4517

KYOCERA MITA (THAILAND) CORP., LTD.
9/209 Ratchada-Prachachem Road,
Bang Sue, Bangkok 10800, Thailand
Phone: (02) 586-0320

KYOCERA MITA SINGAPORE PTE LTD.
121 Genting Lane, 3rd Level,
Singapore 349572
Phone: 67418733

KYOCERA MITA HONG KONG LIMITED
11/F., Mita Centre,
552-566, Castle Peak Road,
Tsuen Wan, New Territories,
Hong Kong
Phone: 24297422

KYOCERA MITA TAIWAN Corporation.
7F-1~2, No.41, Lane 221, Gangchi Rd.
Neihu District, Taipei, Taiwan, 114. R.O.C.
Phone: (02) 87511560

KYOCERA MITA Corporation

2-28, 1-chome, Tamatsukuri, Chuo-ku
Osaka 540-8585, Japan
Phone: (06) 6764-3555
<http://www.kyoceramita.com>

KYOCERA MITA AMERICA, INC.

Headquarters:

225 Sand Road,
Fairfield, New Jersey 07004-0008
TEL : (973) 808-8444
FAX : (973) 882-6000

New York Branch:

1410 Broadway 23rd floor
New York, NY 10018
TEL : (917) 286-5400
FAX : (917) 286-5402

Northeastern Region:

225 Sand Road,
Fairfield, New Jersey 07004-0008
TEL : (973) 808-8444
FAX : (973) 882-4401

Midwestern Region:

201 Hansen Court Suite 119
Wood Dale, Illinois 60191
TEL : (630) 238-9982
FAX : (630) 238-9487

Western Region:

14101 Alton Parkway,
Irvine, California 92618-7006
TEL : (949) 457-9000
FAX : (949) 457-9119

Southeastern Region:

1500 Oakbrook Drive,
Norcross, Georgia 30093
TEL : (770) 729-9786
FAX : (770) 729-9873

Southwestern Region:

2825 West Story Road,
Irving, Texas 75038-5299
TEL : (972) 550-8987
FAX : (972) 252-9786

National Operation Center & National Training Center:

2825 West Story Road,
Irving, Texas 75038-5299
TEL : (972) 659-0055
FAX : (972) 570-5816

Latin America Division:

8240 N.W. 52nd. Terrace Dawson Building,
Suite 108 Miami, Florida 33166
TEL : (305) 421-6640
FAX : (305) 421-6666

KYOCERA MITA CANADA, LTD.

6120 Kestrel Road, Mississauga,
Ontario L5T 1S8, Canada
TEL : (905) 670-4425
FAX : (905) 670-8116

KYOCERA MITA MEXICO, S.A. DE C.V.

Av. 16 de Septiembre #407
Col. Santa Inés,
Azcapotzalco México,
D.F. 02130, México
TEL : (55) 5383-2741
FAX : (55) 5383-7804

©2007 KYOCERA MITA Corporation

<http://www.kyoceramita.com>

 **KYOCERA** is a trademark of Kyocera Corporation

Printed in U.S.A.