

**Model Cor-C1**  
**(D200/D201/D202)**  
**Parts Catalog**

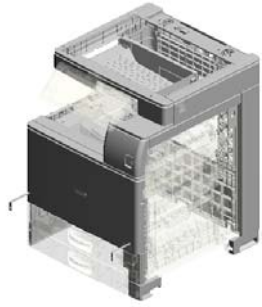
**Parts change information sample**

 **Add**

 **Update**

 **Delete**

# Unit All



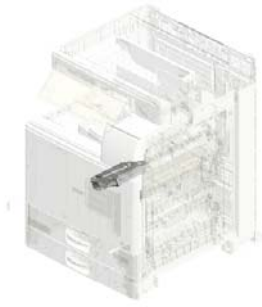
U001  
EXTERIOR



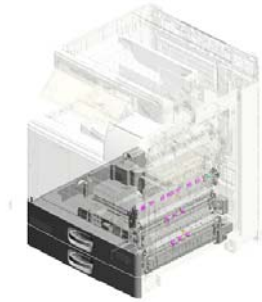
U002  
OPERATION



U003  
SCANNER



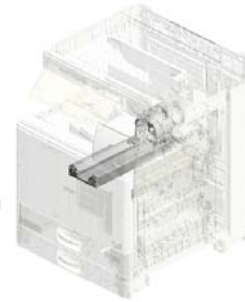
U004  
LASER UNIT



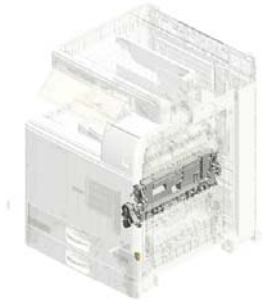
U005  
PAPER FEED



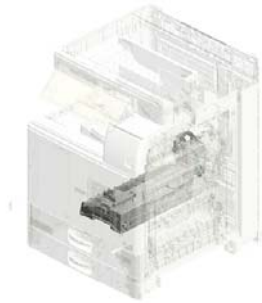
U006  
PCU



U007  
DEVELOPMENT



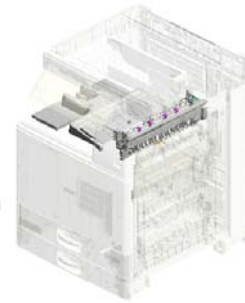
U008  
TRANSFER/SEPARATION



U009  
USED TONER



U010  
FUSING



U011  
PAPER EXIT

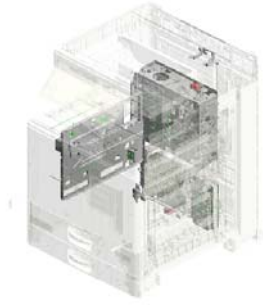


U012  
DUPLEX

# Unit All



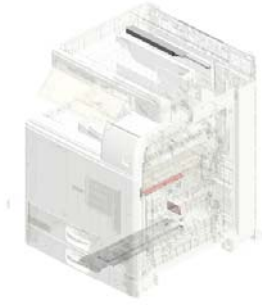
U013  
MAIN DRIVE



U014  
ELECTRICAL



U015  
MAIN FRAME



U016  
HEATER



U017  
ACCESSORIES

# U001 EXTERIOR

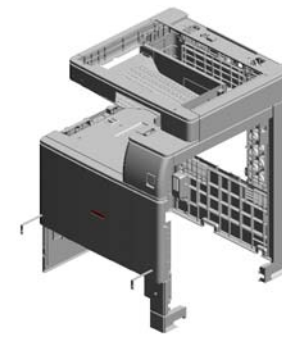
24.D2021232  
COVER:UPPER:EXI  
T

22.D1495884  
COMPRESSION SP  
RING:KEYTOP

21.D1495883  
KEYTOP:MAIN SWI  
TCH

10.D1491242  
COVER:MAIN SWIT  
CH

15.D1501282  
[G]  
COVER:SCANNER:  
UPPER:FRONT  
201510-11 O/O



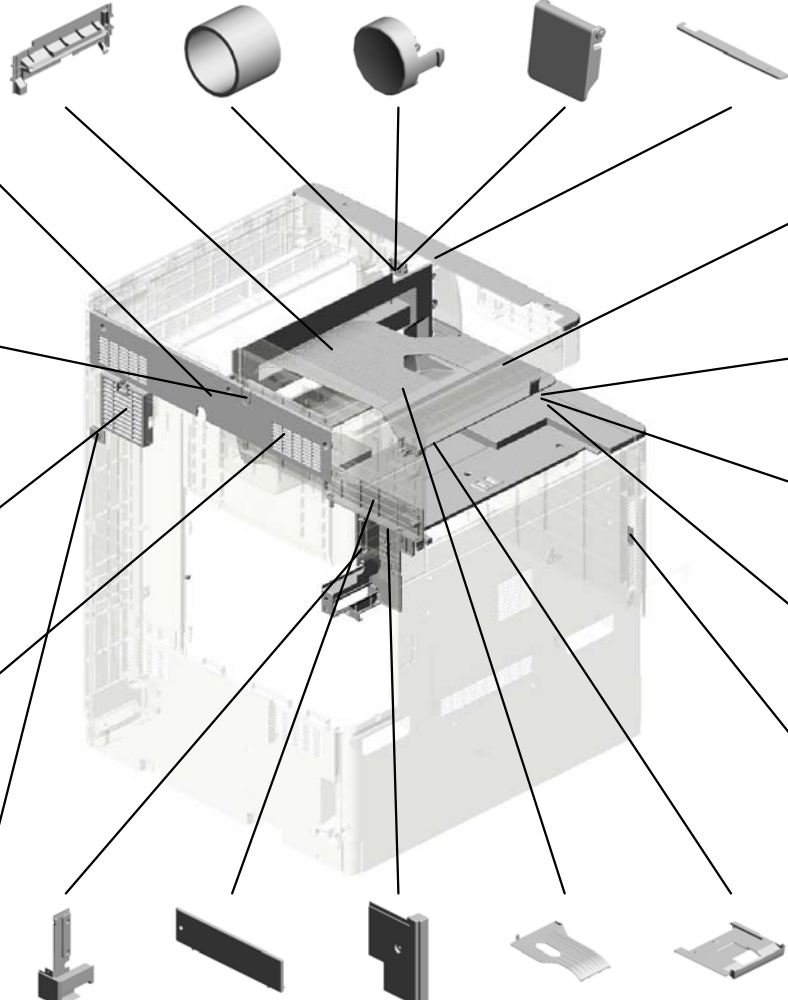
16.D1491289  
COVER:SCANNER:  
REAR

18.D1491294  
(x3)  
(D201/D200):(AA/K  
OR):(CHN):(TWN):  
CAP:HARNESS:CO  
RNER

12.D1491263  
CAP:LOUVER:DEO  
DORIZE FILTER

8.D1491234  
COVER:UPPER:IN  
NER BACK:MIDDLE

17.D1491291  
CAP:HARNESS



13.D1491266  
COVER:RIGHT:FR  
ONT LOWER

9.D1491237  
COVER:UPPER:IN  
NER BACK:LEFT L  
OWER

14.D1491275  
INNER COVER:FR  
ONT:RIGHT LOWE  
R

20.D1494492  
TRAY:REVERSE

7.D1491230  
COVER:UPPER

23.D2021231  
COVER:UPPER:FR  
ONT



5.AA143537  
(x2)  
SCREW:M3:BLACK

4.04583008N  
(x3)  
HEXAGON HEAD T  
APPING SCREW:3  
X8

1.04513008P (x 3)  
TAPPING SCREW:ROUND POINT:3X8

6.AG070513  
MAGNET CATCH

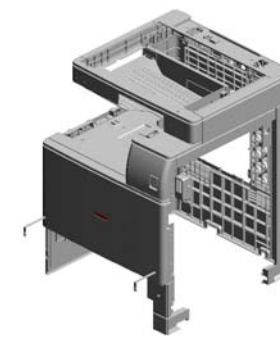
2.04543006Q (x 2)  
TAPPING SCREW - M3X6  
3.04543008N (x55)  
TAPPING SCREW:ROUND POINT:3X8

3.04543008N  
(x2)  
TAPPING SCREW:  
ROUND POINT:3X8

4.04583008N (x 9)  
HEXAGON HEAD TAPPING SCREW:3X  
8

19.D1491307  
(x2)  
SPRING PLATE:BA  
ND

# U001 EXTERIOR



- 32.D2021246 GUIDE PLATE:COVER:FRONT:RIGHT UPPER
- 31.D2021245 COVER:FRONT:UPPER
- 29.D2021243 COVER:FRONT:UPPER:OPERATION SUB-UNIT
- 30.D2021244 COVER:FRONT:RIGHT UPPER
- 45.D2021281 COVER:SCANNER:FRONT

41.D2021267  
COVER:RIGHT:UPPER

25.D2021233  
COVER:UPPER:INNER BACK

33.D2021247  
(x2)  
BAND:STOPPER:DOOR

38.D2021261  
COVER:REAR:UPPER

39.D2021262  
COVER:REAR:RIGHT UPPER

36.D2021252  
COVER:LEFT:UPPER:REAR

43.D2021277  
COVER

26.D2021235  
COVER:UPPER:INNER BACK:BIN

27.D2011241  
[A]  
CASE:DOOR:FRONT  
201610-03 X/X

35.D2021255  
[E]  
COVER:LEFT  
201510-14 X/O

42.D2021276  
DECAL:INSERT SUB-UNIT:TONER BOTTLE

34.D2021249  
MAGNET CATCH:COVER:FRONT

46.D2021284  
COVER:SCANNER:LEFT

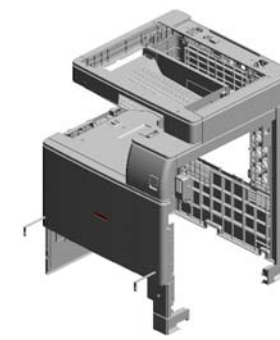
44.D2021279  
INNER COVER:FRONT

28.D2011242  
[B]  
DOOR:FRONT  
201610-04 X/X

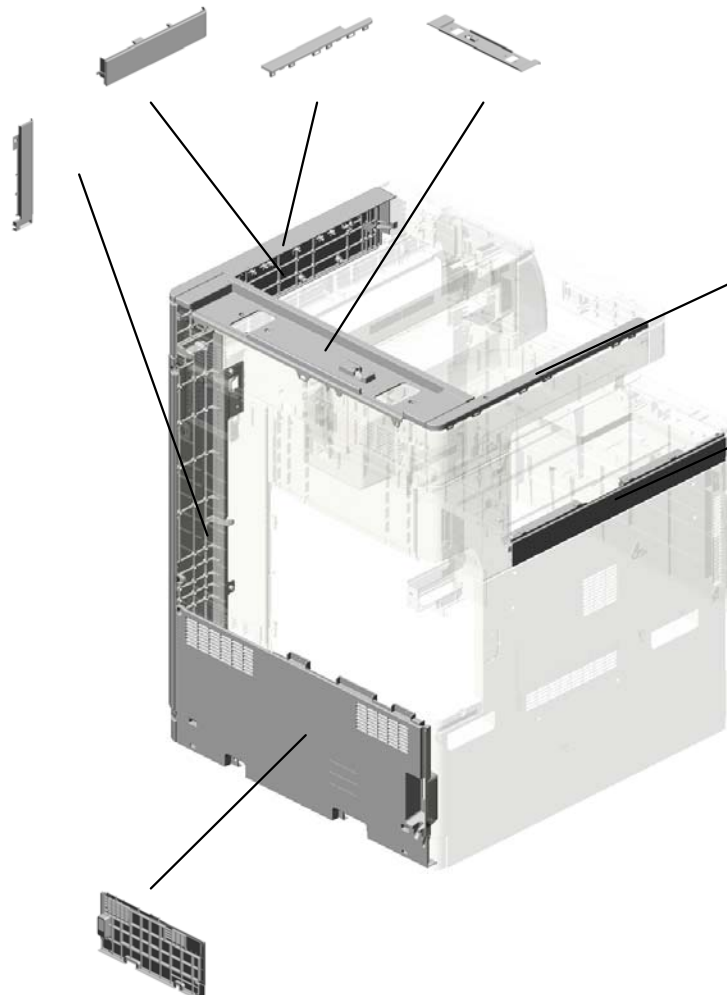
U001	U002	U003	U004	U005	U006	U007	U008	U009	U010	U011	U012	U013	U014	U015	U016	U017
------	------	------	------	------	------	------	------	------	------	------	------	------	------	------	------	------

# U001 EXTERIOR

48.D2021287 COVER:SCANNER:RIGHT  
 49.D2021288 COVER:SCANNER:UPPER:RIGHT  
 50.D2011290 [H] COVER:SCANNER:UPPER:REAR  
 201607-02 O/O



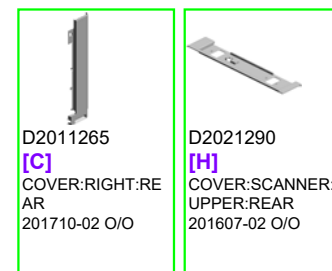
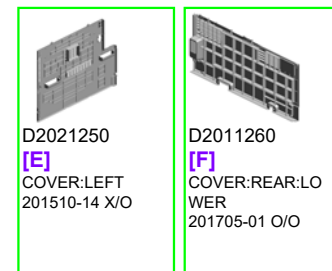
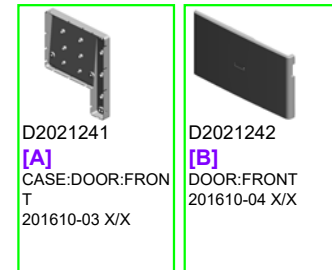
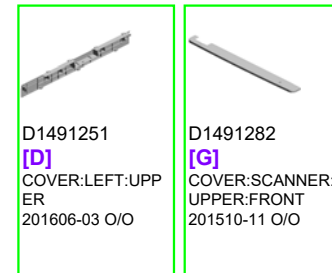
53.D2891265 [C] COVER:RIGHT:REAR  
 201710-02 O/O



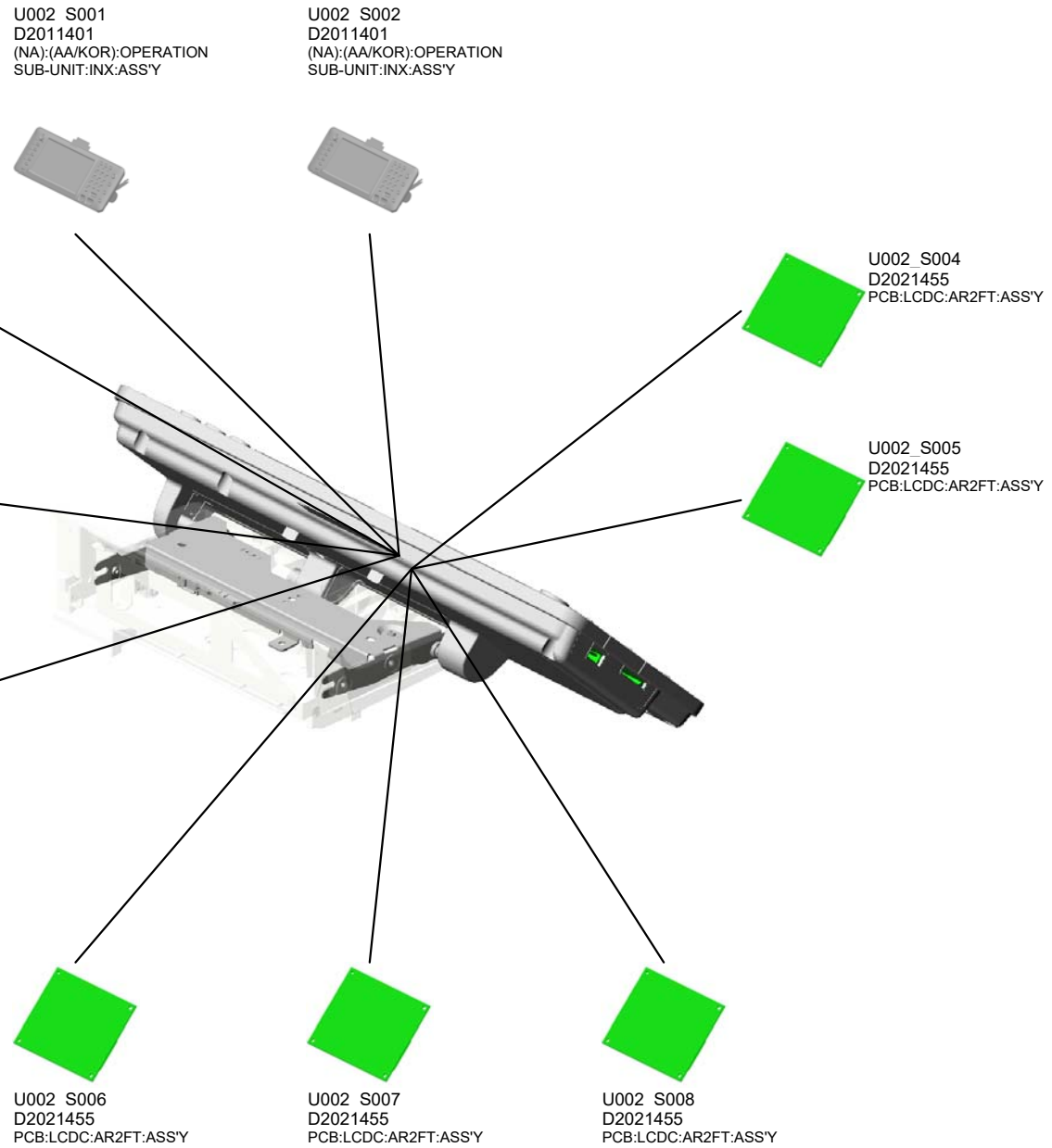
47.D2021285 COVER:SCANNER:UPPER:LEFT

51.D2411251 [D] COVER:LEFT:UPPER  
 201606-03 O/O

52.D2011261 [F] COVER:REAR:LOWER  
 201705-01 O/O



# U002.OPERATION

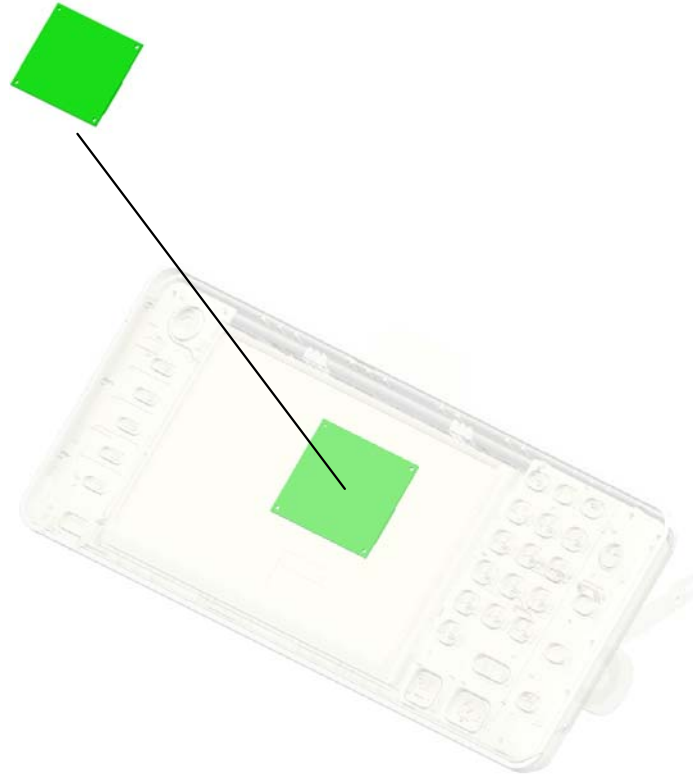


U001	U002	U003	U004	U005	U006	U007	U008	U009	U010	U011	U012	U013	U014	U015	U016	U017
------	------	------	------	------	------	------	------	------	------	------	------	------	------	------	------	------



# U002\_S001.(NA):(AA/KOR):OPERATION SUB-UNIT:INX:ASS'Y

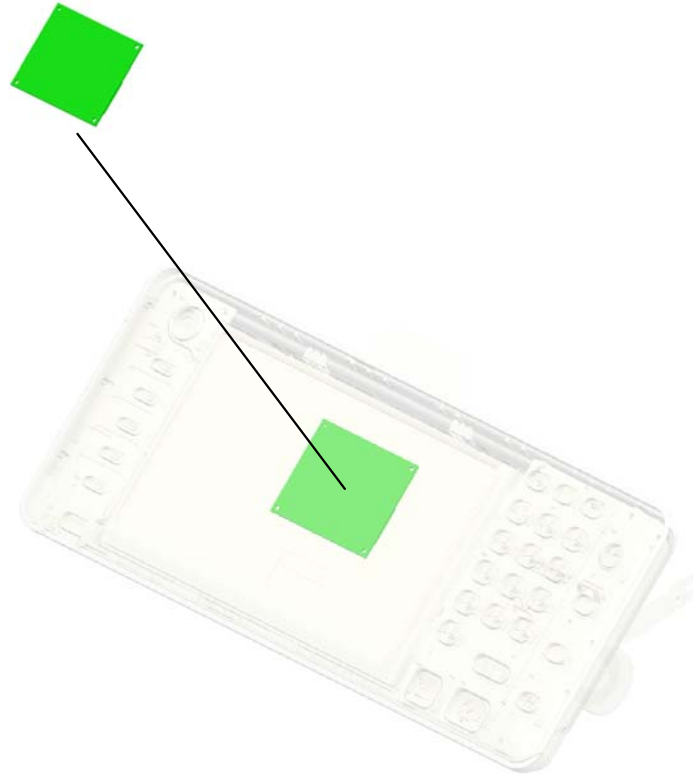
U002 S001 S001  
D2021455  
PCB:LCDC:AR2FT:ASS'Y



U001	U002	U003	U004	U005	U006	U007	U008	U009	U010	U011	U012	U013	U014	U015	U016	U017
------	------	------	------	------	------	------	------	------	------	------	------	------	------	------	------	------

# U002\_S002.(NA):(AA/KOR):OPERATION SUB-UNIT:INX:ASS'Y

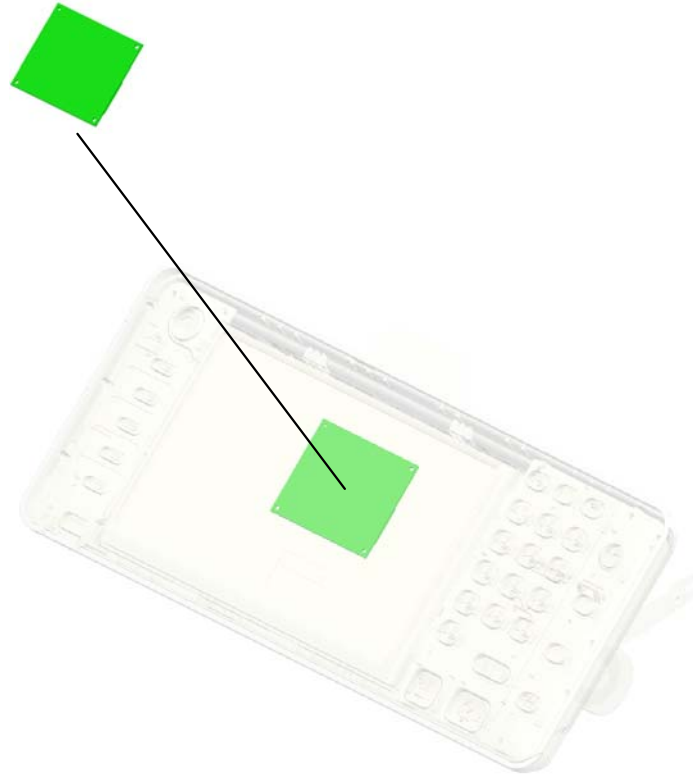
U002 S002 S001  
D2021455  
PCB:LCDC:AR2FT:ASS'Y



U001	U002	U003	U004	U005	U006	U007	U008	U009	U010	U011	U012	U013	U014	U015	U016	U017
------	------	------	------	------	------	------	------	------	------	------	------	------	------	------	------	------

# U002\_S003.(EU):OPERATION SUB-UNIT:INX:ASS'Y

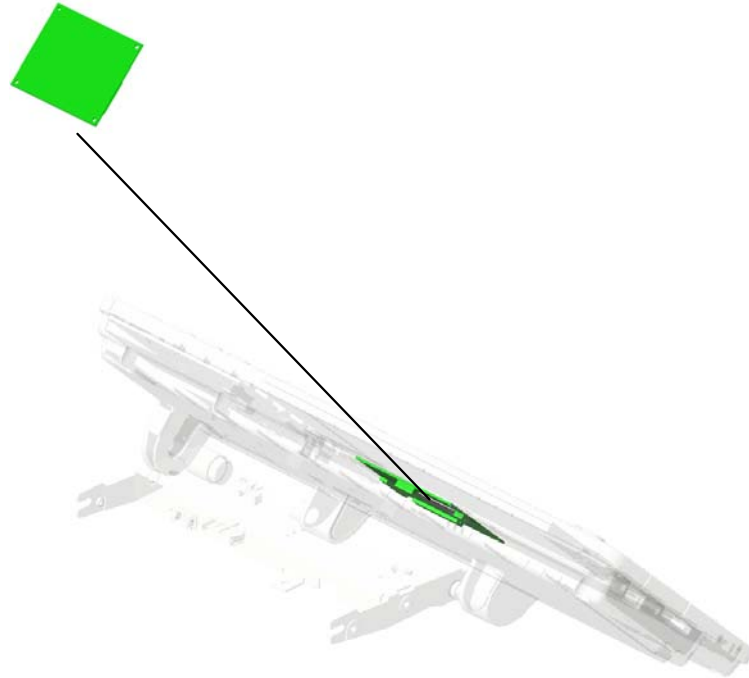
U002 S003 S001  
D2021455  
PCB:LCDC:AR2FT:ASS'Y



U001	U002	U003	U004	U005	U006	U007	U008	U009	U010	U011	U012	U013	U014	U015	U016	U017
------	------	------	------	------	------	------	------	------	------	------	------	------	------	------	------	------

# U002\_S009.(CHN):OPERATION SUB-UNIT:SH:ASS'Y

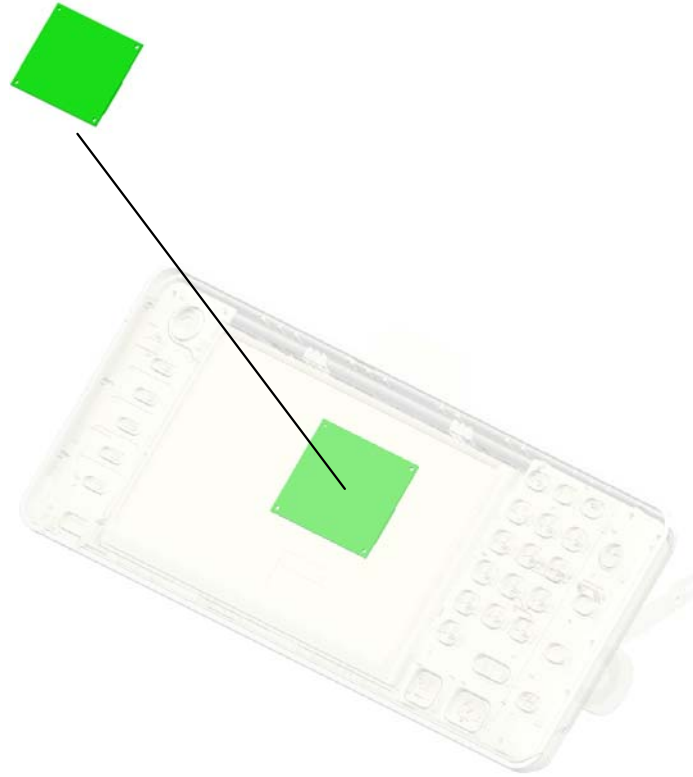
U002 S009 S001  
D2021455  
PCB:LCDC:AR2FT:ASS'Y



U001	<b>U002</b>	U003	U004	U005	U006	U007	U008	U009	U010	U011	U012	U013	U014	U015	U016	U017
------	-------------	------	------	------	------	------	------	------	------	------	------	------	------	------	------	------

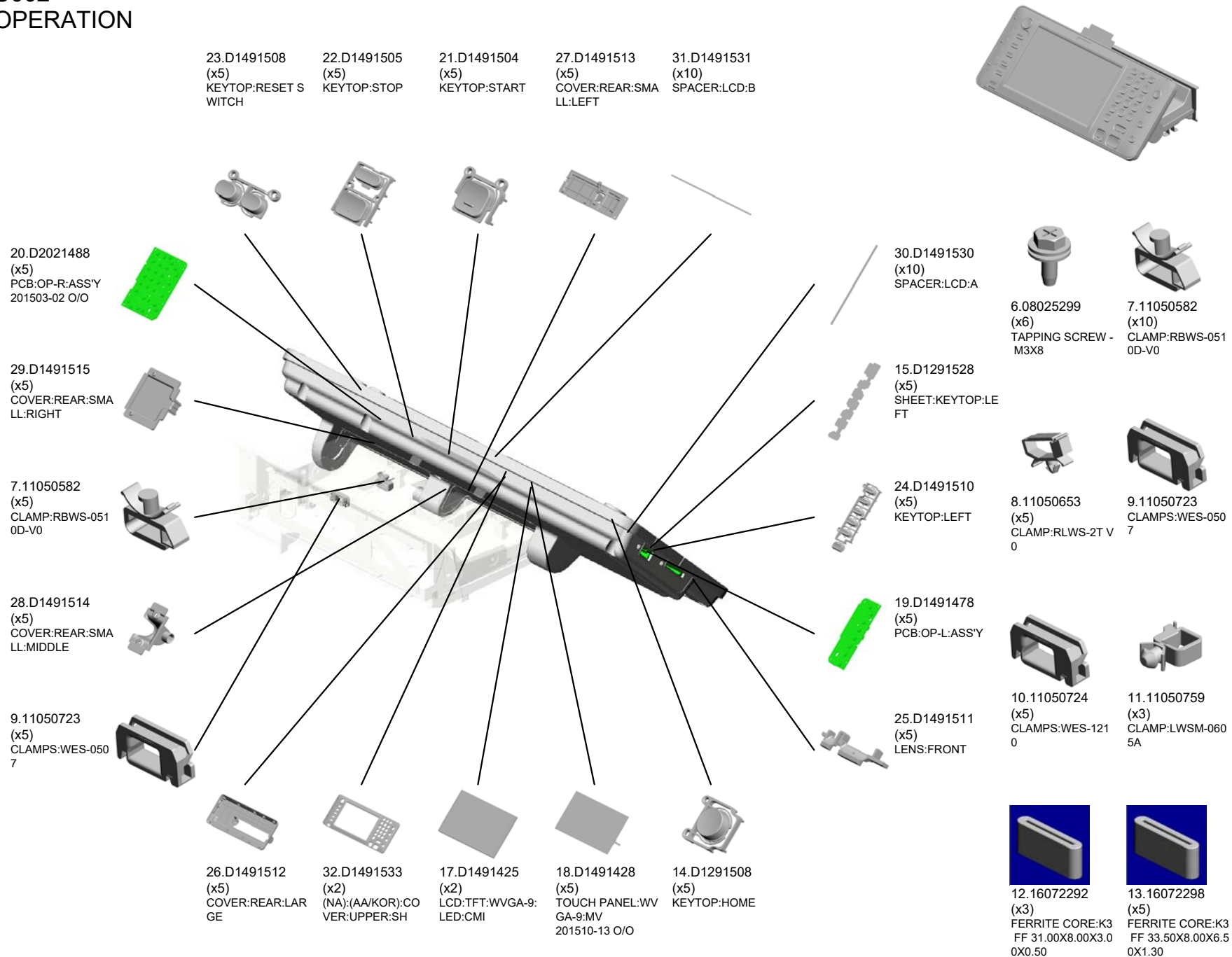
# U002\_S010.(TWN):OPERATION SUB-UNIT:CO-C1:SH:TWN:ASS'Y

U002 S010 S001  
D2021455  
PCB:LCDC:AR2FT:ASS'Y



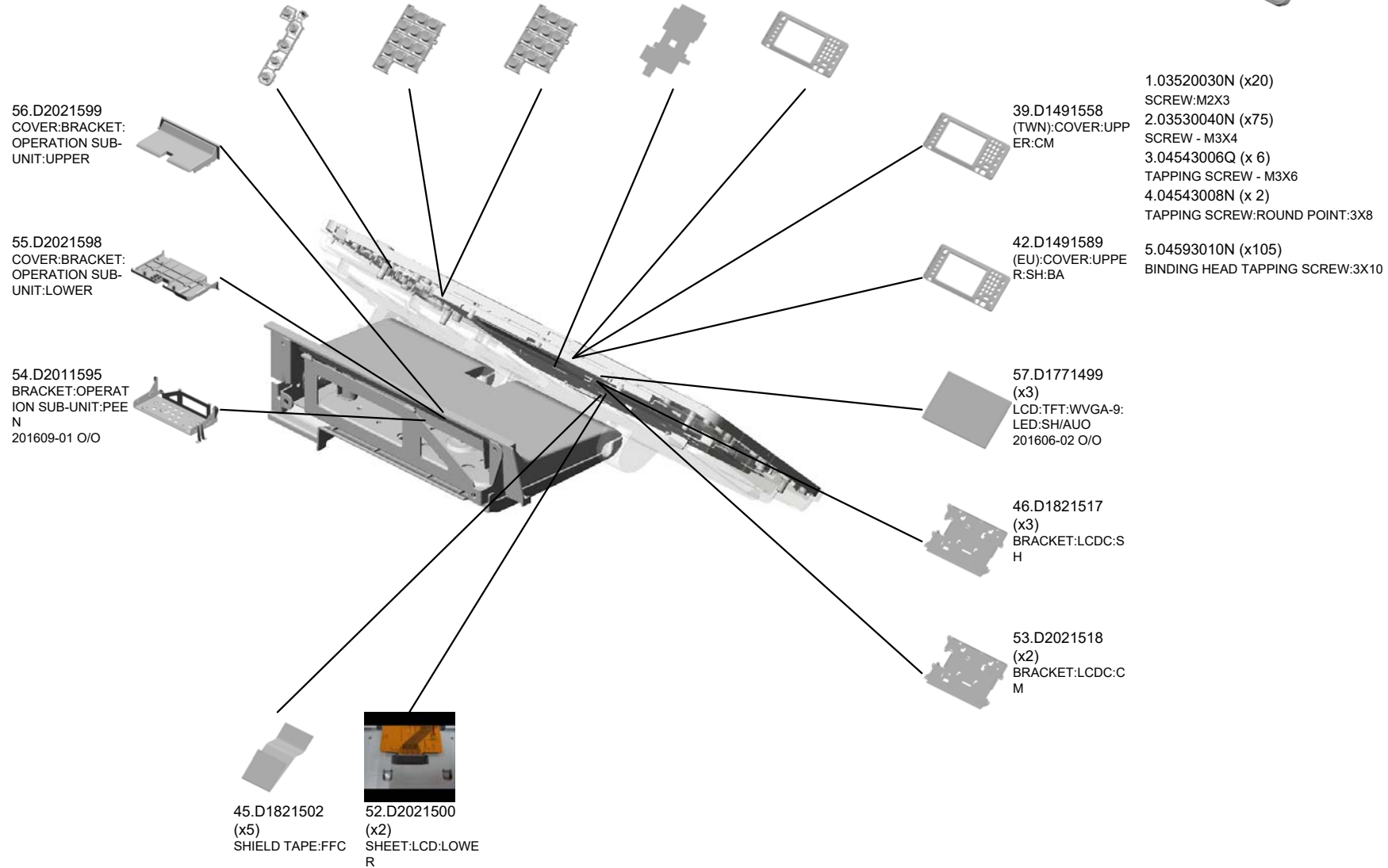
U001	U002	U003	U004	U005	U006	U007	U008	U009	U010	U011	U012	U013	U014	U015	U016	U017
------	------	------	------	------	------	------	------	------	------	------	------	------	------	------	------	------

# U002 OPERATION



# U002 OPERATION

41.D1491588 (x5) KEYTOP:POWER SOURCE:BA  
 34.D1491538 (x3) (EU):(CHN):(TWN): KEYTOP:10KEY  
 35.D1491539 (x2) (NA):(AA/KOR):KEY TOP:10KEY  
 44.D1821500 (x5) SHIELD CASE:LCD C  
 37.D1491556 (CHN):COVER:UPPER:CM



U002\_S001  
 (NA):(AA/KOR):OPERATION SUB-UNIT:INX:ASS'Y

14.D1291508  
 KEYTOP:HOME

18.D1491428  
 TOUCH PANEL:WV  
 GA-9:MV  
 201510-13 O/O

17.D1491425  
 LCD:TFT:WVGA-9:  
 LED:CMI

33.D1491534  
 (NA):(AA/KOR):CO  
 VER:UPPER:CM

31.D1491531  
 (x2)  
 SPACER:LCD:B



47.D2011401  
 [A]  
 (NA):(AA/KOR):OPE  
 RATION SUB-UNIT:  
 INX:ASS'Y  
 201602-02 O/O

19.D1491478  
 PCB:OP-L:ASS'Y

15.D1291528  
 SHEET:KEYTOP:LE  
 FT

30.D1491530  
 (x2)  
 SPACER:LCD:A

24.D1491510  
 KEYTOP:LEFT

25.D1491511  
 LENS:FRONT

26.D1491512  
 COVER:REAR:LAR  
 GE

27.D1491513  
 COVER:REAR:SMA  
 LL:LEFT

21.D1491504  
 KEYTOP:START

28.D1491514  
 COVER:REAR:SMA  
 LL:MIDDLE

22.D1491505  
 KEYTOP:STOP

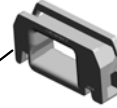
23.D1491508  
 KEYTOP:RESET S  
 WITCH



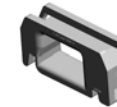
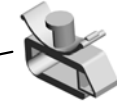
7.11050582  
 (x2)  
 CLAMP:RBWS-051  
 0D-V0

8.11050653  
 CLAMP:RLWS-2T V  
 0

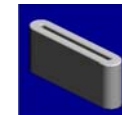
9.11050723  
 CLAMPS:WES-050  
 7



7.11050582  
 CLAMP:RBWS-051  
 0D-V0

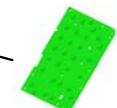


10.11050724  
 CLAMPS:WES-121  
 0



13.16072298  
 FERRITE CORE:K3  
 FF 33.50X8.00X6.5  
 0X1.30

20.D2021488  
 PCB:OP-R:ASS'Y  
 201503-02 O/O



1.03520030N (x 4)  
 SCREW:M2X3  
 2.03530040N (x15)  
 SCREW - M3X4  
 5.04593010N (x21)  
 BINDING HEAD TAPPING SCREW:3X10

29.D1491515  
 COVER:REAR:SMA  
 LL:RIGHT





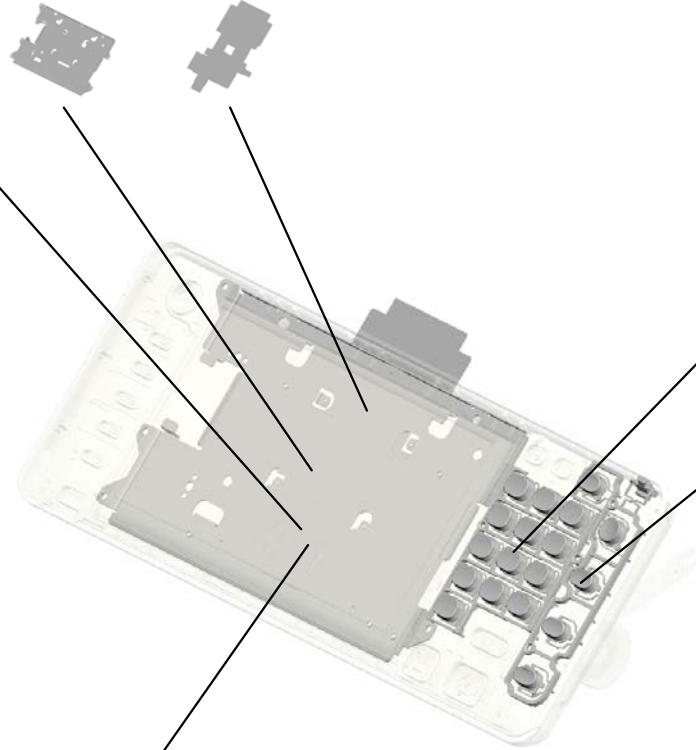
U002\_S001  
(NA):(AA/KOR):OPERATION SUB-UNIT:INX:ASS'Y

53.D2021518 44.D1821500  
BRACKET:LCDC:C SHIELD CASE:LCD  
M C



47.D2011401  
[A]  
(NA):(AA/KOR):OPE  
RATION SUB-UNIT:  
INX:ASS'Y  
201602-02 O/O

52.D2021500  
SHEET:LCD:LOWE  
R



35.D1491539  
(NA):(AA/KOR):KEY  
TOP:10KEY



41.D1491588  
KEYTOP:POWER S  
OURCE:BA



45.D1821502  
SHIELD TAPE:FFC

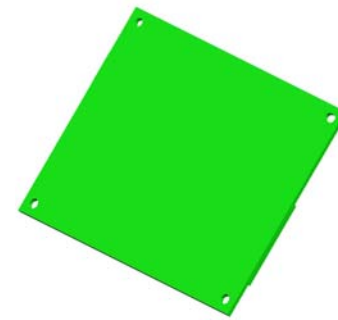


D2011411  
[A]  
(NA):(AA/KOR):OPE  
RATION SUB-UNIT:  
PANEL:ASS'Y  
201602-02 O/O

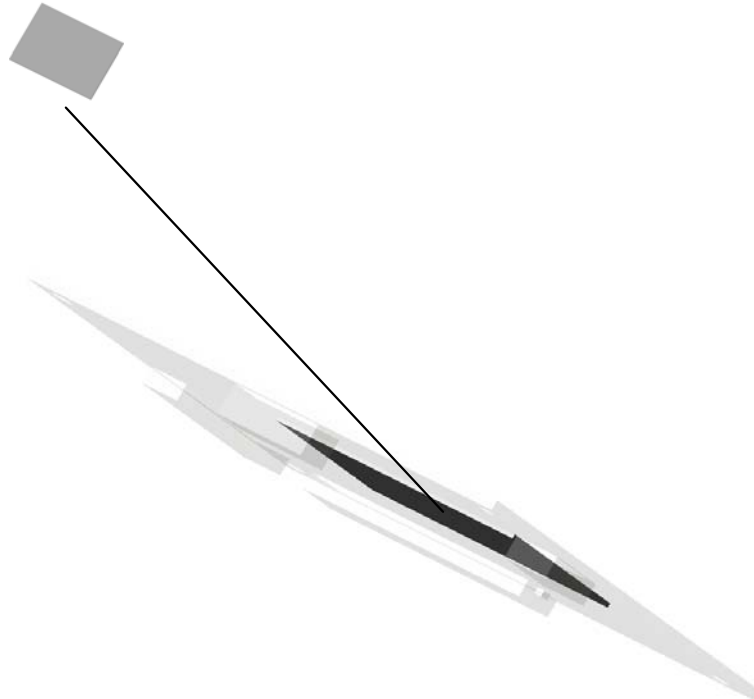
U001	U002	U003	U004	U005	U006	U007	U008	U009	U010	U011	U012	U013	U014	U015	U016	U017
------	------	------	------	------	------	------	------	------	------	------	------	------	------	------	------	------

U002\_S001\_S001  
PCB:LCDC:AR2FT:ASS'Y

40.D1491587  
ABSORPTION SHE  
ET:LCDC



51.D2021455  
PCB:LCDC:AR2FT:  
ASS'Y



U001	U002	U003	U004	U005	U006	U007	U008	U009	U010	U011	U012	U013	U014	U015	U016	U017
------	------	------	------	------	------	------	------	------	------	------	------	------	------	------	------	------

U002\_S002

(NA):(AA/KOR):OPERATION SUB-UNIT:INX:ASS'Y

14.D1291508  
KEYTOP:HOME

18.D1491428  
TOUCH PANEL:WV  
GA-9:MV  
201510-13 O/O

17.D1491425  
LCD:TFT:WVGA-9:  
LED:CMI

33.D1491534  
(NA):(AA/KOR):CO  
VER:UPPER:CM

31.D1491531  
(x2)  
SPACER:LCD:B



47.D2011401  
[A]  
(NA):(AA/KOR):OPE  
RATION SUB-UNIT:  
INX:ASS'Y  
201602-02 O/O

19.D1491478  
PCB:OP-L:ASS'Y

15.D1291528  
SHEET:KEYTOP:LE  
FT

30.D1491530  
(x2)  
SPACER:LCD:A

24.D1491510  
KEYTOP:LEFT

25.D1491511  
LENS:FRONT

26.D1491512  
COVER:REAR:LAR  
GE

27.D1491513  
COVER:REAR:SMA  
LL:LEFT

21.D1491504  
KEYTOP:START

28.D1491514  
COVER:REAR:SMA  
LL:MIDDLE

22.D1491505  
KEYTOP:STOP

23.D1491508  
KEYTOP:RESET S  
WITCH

7.11050582  
(x2)  
CLAMP:RBWS-051  
0D-V0

8.11050653  
CLAMP:RLWS-2T V  
0

9.11050723  
CLAMPS:WES-050  
7

7.11050582  
CLAMP:RBWS-051  
0D-V0

10.11050724  
CLAMPS:WES-121  
0

13.16072298  
FERRITE CORE:K3  
FF 33.50X8.00X6.5  
0X1.30

20.D2021488  
PCB:OP-R:ASS'Y  
201503-02 O/O

1.03520030N (x 4)  
SCREW:M2X3  
2.03530040N (x15)  
SCREW - M3X4  
5.04593010N (x21)  
BINDING HEAD TAPPING SCREW:3X10

29.D1491515  
COVER:REAR:SMA  
LL:RIGHT

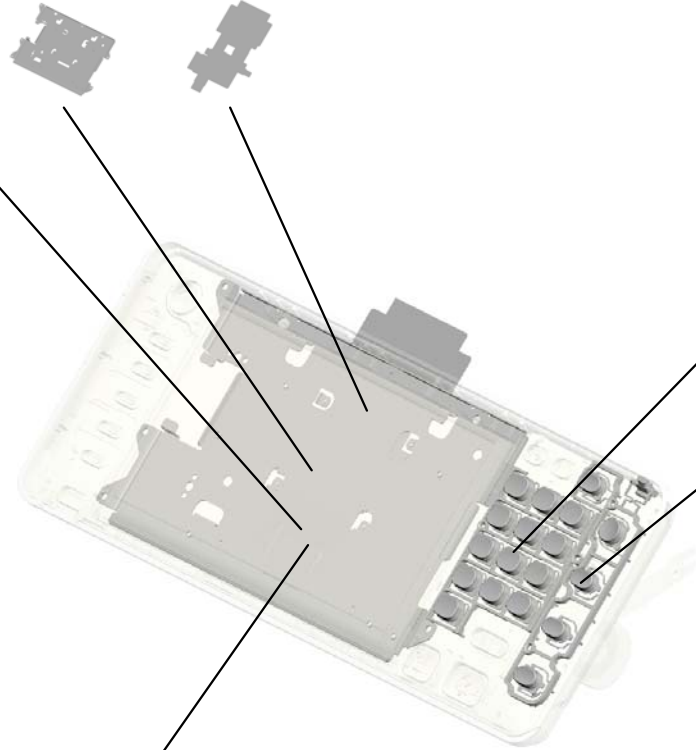
U002\_S002  
 (NA):(AA/KOR):OPERATION SUB-UNIT:INX:ASS'Y

53.D2021518 44.D1821500  
 BRACKET:LCDC:C SHIELD CASE:LCD  
 M C



47.D2011401  
 [A]  
 (NA):(AA/KOR):OPE  
 RATION SUB-UNIT:  
 INX:ASS'Y  
 201602-02 O/O

52.D2021500  
 SHEET:LCD:LOWE  
 R



35.D1491539  
 (NA):(AA/KOR):KEY  
 TOP:10KEY



41.D1491588  
 KEYTOP:POWER S  
 OURCE:BA



45.D1821502  
 SHIELD TAPE:FFC

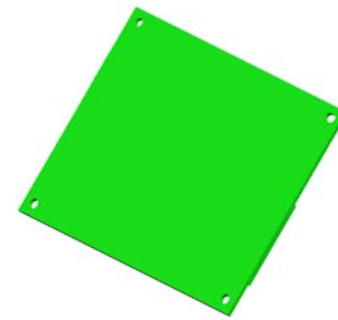


D2011411  
 [A]  
 (NA):(AA/KOR):OPE  
 RATION SUB-UNIT:  
 PANEL:ASS'Y  
 201602-02 O/O

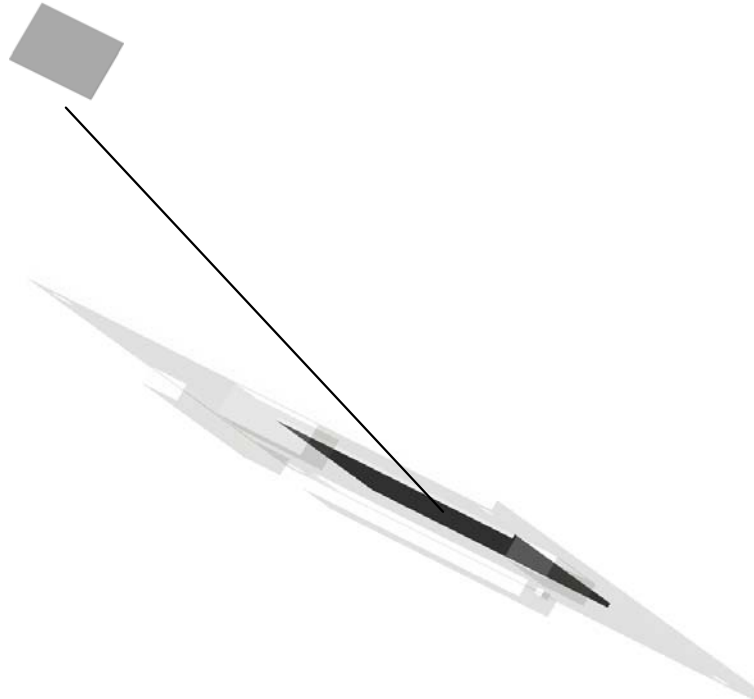
U001	U002	U003	U004	U005	U006	U007	U008	U009	U010	U011	U012	U013	U014	U015	U016	U017
------	------	------	------	------	------	------	------	------	------	------	------	------	------	------	------	------

U002\_S002\_S001  
PCB:LCDC:AR2FT:ASS'Y

40.D1491587  
ABSORPTION SHE  
ET:LCDC

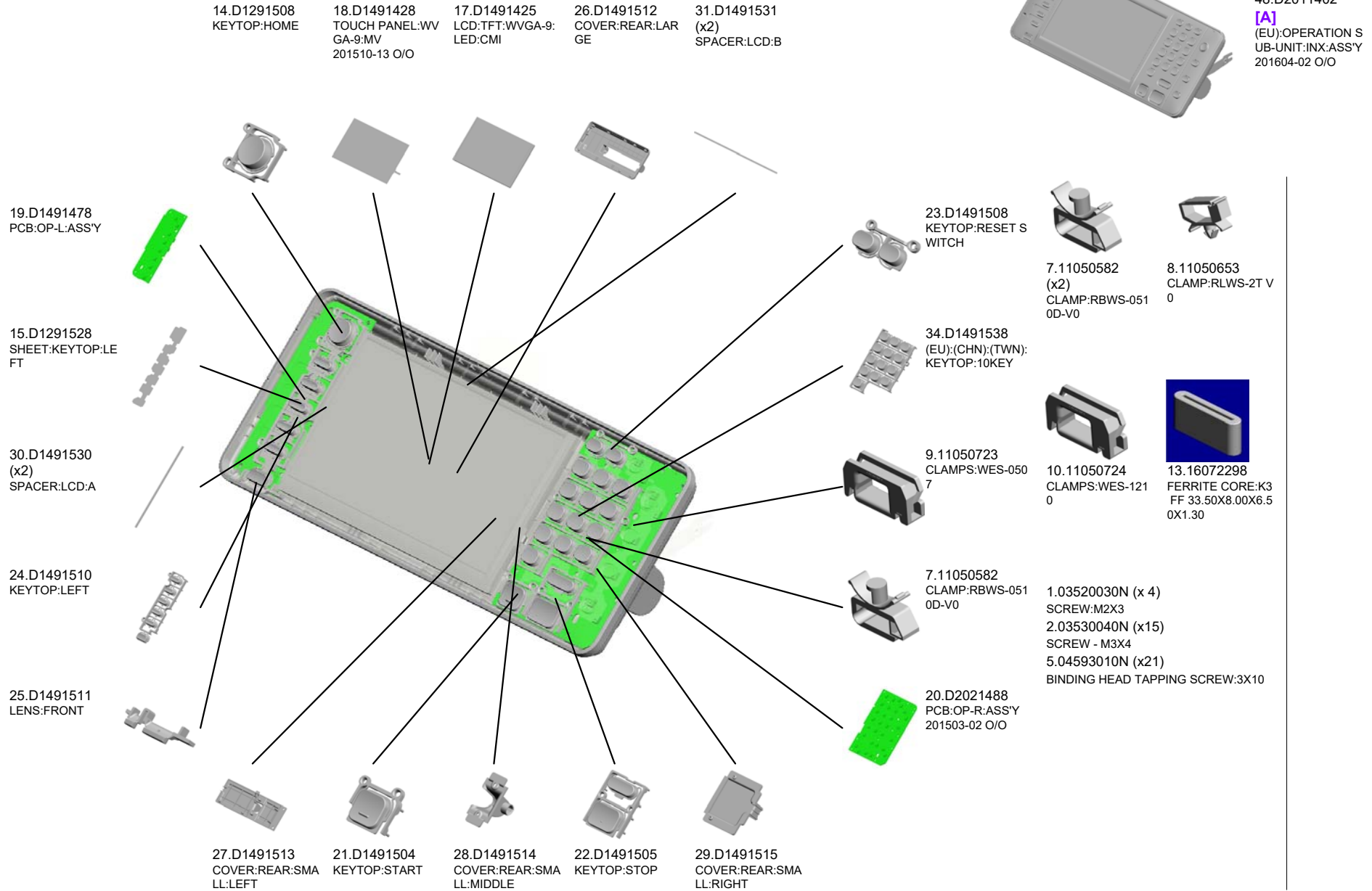


51.D2021455  
PCB:LCDC:AR2FT:  
ASS'Y



U001	U002	U003	U004	U005	U006	U007	U008	U009	U010	U011	U012	U013	U014	U015	U016	U017
------	------	------	------	------	------	------	------	------	------	------	------	------	------	------	------	------

U002\_S003  
(EU):OPERATION SUB-UNIT:INX:ASS'Y



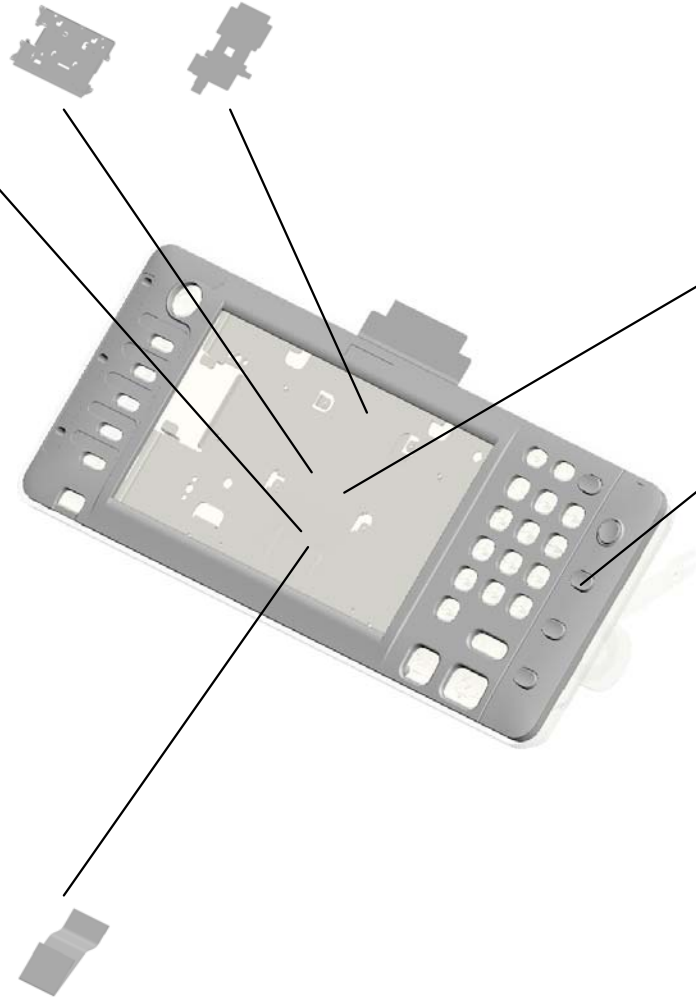
U002\_S003  
(EU):OPERATION SUB-UNIT:INX:ASS'Y

53.D2021518 44.D1821500  
BRACKET:LCDC:C SHIELD CASE:LCD  
M C



48.D2011402  
[A]  
(EU):OPERATION S  
UB-UNIT:INX:ASS'Y  
201604-02 O/O

52.D2021500  
SHEET:LCD:LOWE  
R



43.D1491592  
(EU):COVER:UPPE  
R:CM:BA



41.D1491588  
KEYTOP:POWER S  
OURCE:BA



45.D1821502  
SHIELD TAPE:FFC

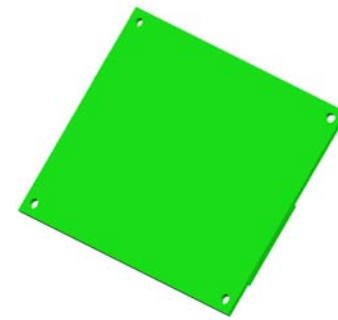


D2011412  
[A]  
(EU):OPERATION P  
ANEL:ASS'Y  
201604-02 O/O

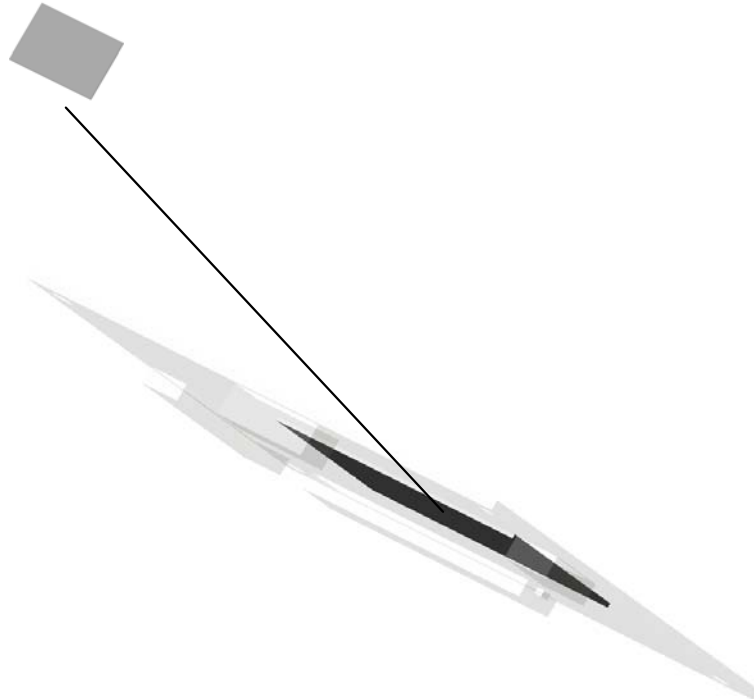
U001	U002	U003	U004	U005	U006	U007	U008	U009	U010	U011	U012	U013	U014	U015	U016	U017
------	------	------	------	------	------	------	------	------	------	------	------	------	------	------	------	------

U002\_S003\_S001  
PCB:LCDC:AR2FT:ASS'Y

40.D1491587  
ABSORPTION SHE  
ET:LCDC



51.D2021455  
PCB:LCDC:AR2FT:  
ASS'Y

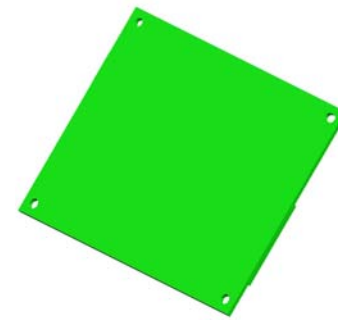


U001	U002	U003	U004	U005	U006	U007	U008	U009	U010	U011	U012	U013	U014	U015	U016	U017
------	------	------	------	------	------	------	------	------	------	------	------	------	------	------	------	------

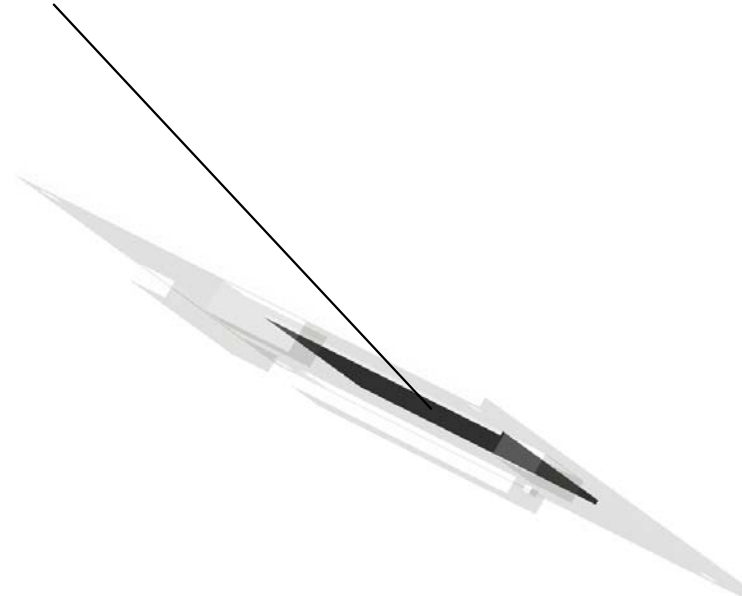


U002\_S004  
PCB:LCDC:AR2FT:ASS'Y

40.D1491587  
ABSORPTION SHE  
ET:LCDC



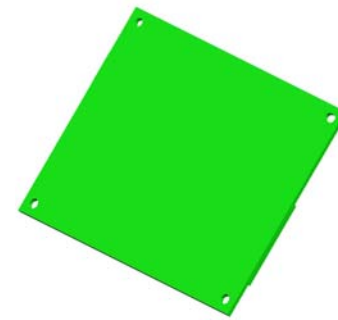
51.D2021455  
PCB:LCDC:AR2FT:  
ASS'Y



U001	U002	U003	U004	U005	U006	U007	U008	U009	U010	U011	U012	U013	U014	U015	U016	U017
------	------	------	------	------	------	------	------	------	------	------	------	------	------	------	------	------

U002\_S005  
PCB:LCDC:AR2FT:ASS'Y

40.D1491587  
ABSORPTION SHE  
ET:LCDC



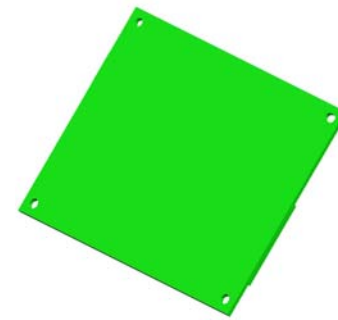
51.D2021455  
PCB:LCDC:AR2FT:  
ASS'Y



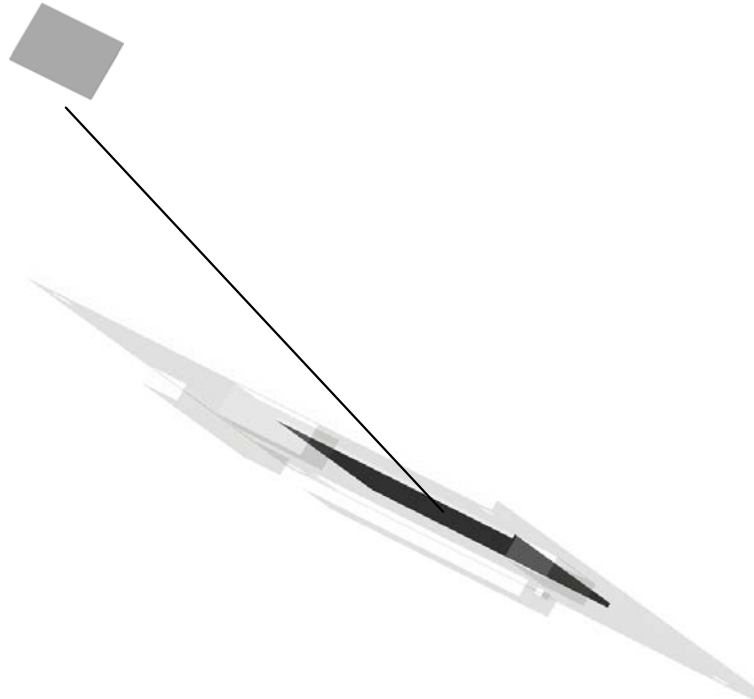
U001	U002	U003	U004	U005	U006	U007	U008	U009	U010	U011	U012	U013	U014	U015	U016	U017
------	------	------	------	------	------	------	------	------	------	------	------	------	------	------	------	------

U002\_S006  
PCB:LCDC:AR2FT:ASS'Y

40.D1491587  
ABSORPTION SHE  
ET:LCDC



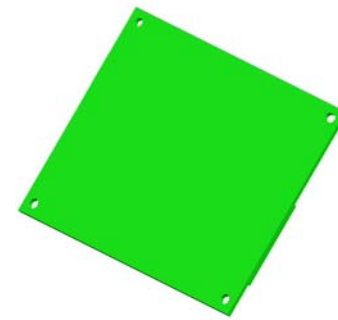
51.D2021455  
PCB:LCDC:AR2FT:  
ASS'Y



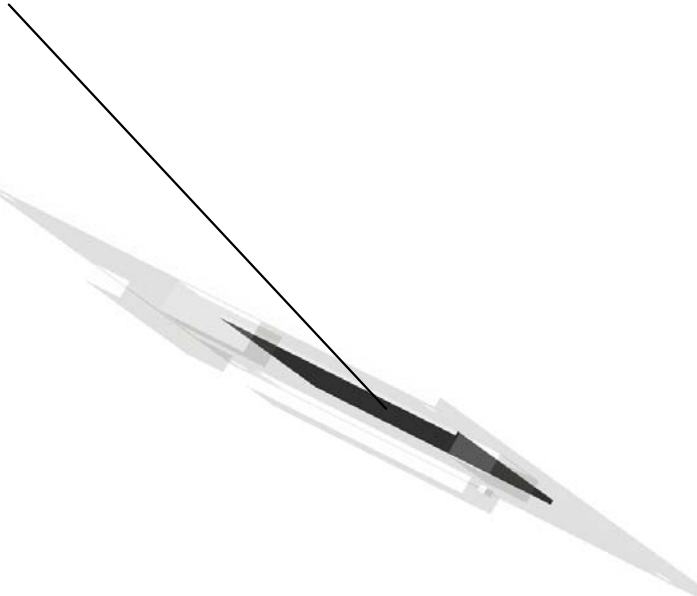
U001	U002	U003	U004	U005	U006	U007	U008	U009	U010	U011	U012	U013	U014	U015	U016	U017
------	------	------	------	------	------	------	------	------	------	------	------	------	------	------	------	------

U002\_S007  
PCB:LCDC:AR2FT:ASS'Y

40.D1491587  
ABSORPTION SHE  
ET:LCDC



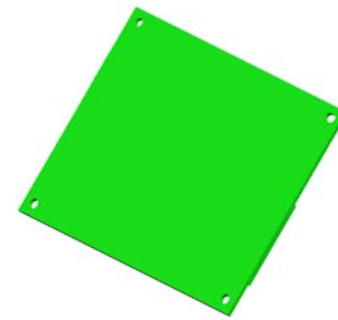
51.D2021455  
PCB:LCDC:AR2FT:  
ASS'Y



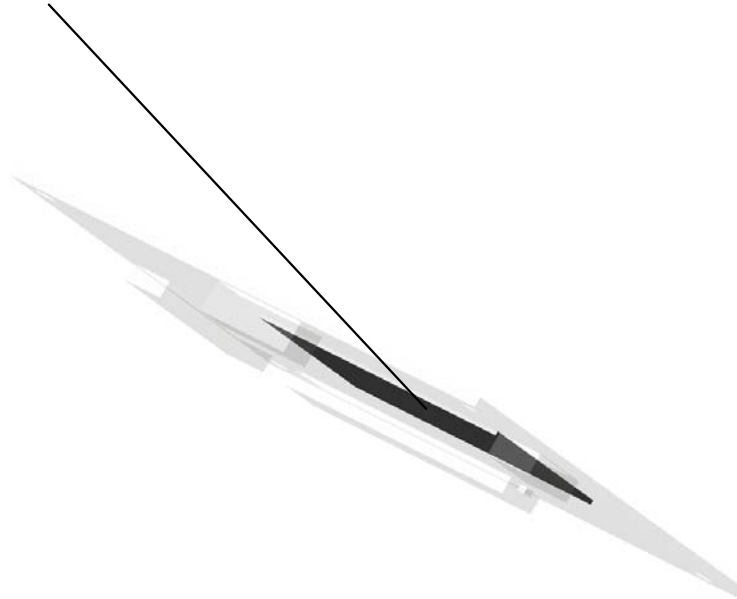
U001	U002	U003	U004	U005	U006	U007	U008	U009	U010	U011	U012	U013	U014	U015	U016	U017
------	------	------	------	------	------	------	------	------	------	------	------	------	------	------	------	------

U002\_S008  
PCB:LCDC:AR2FT:ASS'Y

40.D1491587  
ABSORPTION SHE  
ET:LCDC



51.D2021455  
PCB:LCDC:AR2FT:  
ASS'Y



U001	U002	U003	U004	U005	U006	U007	U008	U009	U010	U011	U012	U013	U014	U015	U016	U017
------	------	------	------	------	------	------	------	------	------	------	------	------	------	------	------	------

U002\_S009

(CHN):OPERATION SUB-UNIT:SH:ASS'Y

23.D1491508 KEYTOP:RESET SWITCH  
 34.D1491538 (EU):(CHN):(TWN): KEYTOP:10KEY  
 22.D1491505 KEYTOP:STOP  
 21.D1491504 KEYTOP:START  
 31.D1491531 (x2) SPACER:LCD:B



49.D2021414 (CHN):OPERATION SUB-UNIT:SH:ASS'Y

20.D2021488 PCB:OP-R:ASS'Y 201503-02 O/O



29.D1491515 COVER:REAR:SMALL:RIGHT



7.11050582 CLAMP:RBWS-0510D-V0



28.D1491514 COVER:REAR:SMALL:MIDDLE



9.11050723 CLAMPS:WES-0507



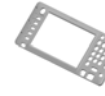
27.D1491513 COVER:REAR:SMALL:LEFT



26.D1491512 COVER:REAR:LARGE



36.D1491555 (CHN):COVER:UPPER:SH



18.D1491428 TOUCH PANEL:WVGA-9:MV 201510-13 O/O



14.D1291508 KEYTOP:HOME



30.D1491530 (x2) SPACER:LCD:A

15.D1291528 SHEET:KEYTOP:LEFT

24.D1491510 KEYTOP:LEFT

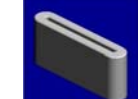
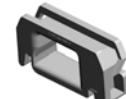
19.D1491478 PCB:OP-L:ASS'Y

25.D1491511 LENS:FRONT



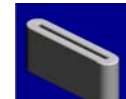
7.11050582 (x2) CLAMP:RBWS-0510D-V0

8.11050653 CLAMP:RLWS-2T V0



10.11050724 CLAMPS:WES-1210

12.16072292 FERRITE CORE:K3 FF 31.00X8.00X3.00X0.50



13.16072298 FERRITE CORE:K3 FF 33.50X8.00X6.50X1.30

1.03520030N (x 4) SCREW:M2X3  
 2.03530040N (x15) SCREW - M3X4

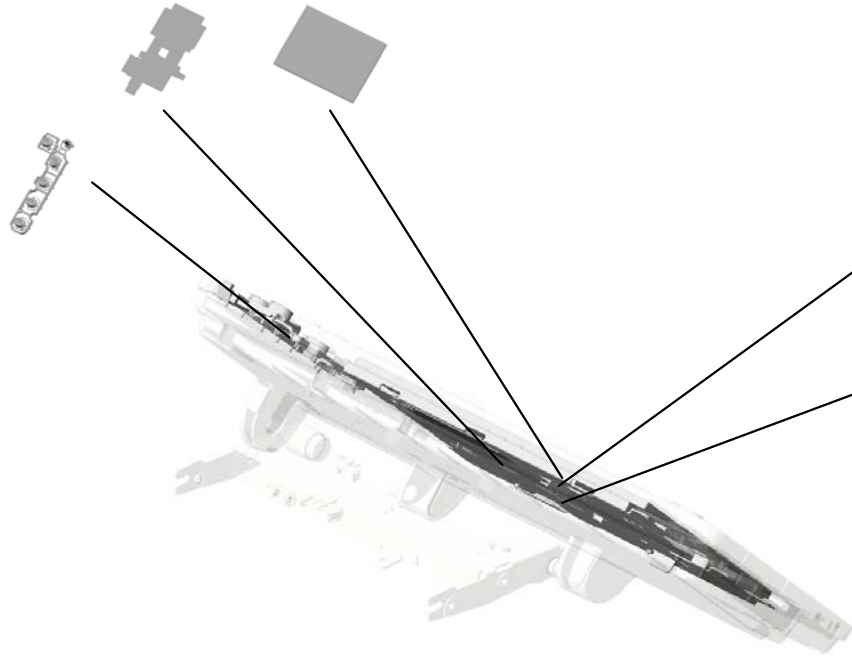
U002\_S009  
(CHN):OPERATION SUB-UNIT:SH:ASS'Y

44.D1821500 SHIELD CASE:LCD  
C  
57.D1771499 LCD:TFT:WVGA-9:  
LED:SH/AUO  
201606-02 O/O



49.D2021414  
(CHN):OPERATION  
SUB-UNIT:SH:ASS'  
Y

41.D1491588  
KEYTOP:POWER S  
OURCE:BA



5.04593010N (x21)  
BINDING HEAD TAPPING SCREW:3X10

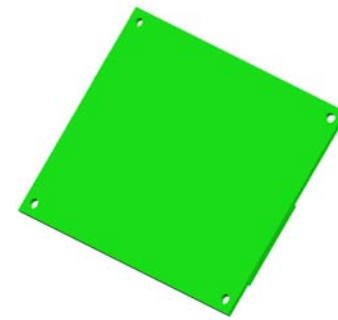
46.D1821517  
BRACKET:LCDC:S  
H

45.D1821502  
SHIELD TAPE:FFC

U001	<b>U002</b>	U003	U004	U005	U006	U007	U008	U009	U010	U011	U012	U013	U014	U015	U016	U017
------	-------------	------	------	------	------	------	------	------	------	------	------	------	------	------	------	------

U002\_S009\_S001  
PCB:LCDC:AR2FT:ASS'Y

40.D1491587  
ABSORPTION SHE  
ET:LCDC



51.D2021455  
PCB:LCDC:AR2FT:  
ASS'Y



U001	U002	U003	U004	U005	U006	U007	U008	U009	U010	U011	U012	U013	U014	U015	U016	U017
------	------	------	------	------	------	------	------	------	------	------	------	------	------	------	------	------



U002\_S010  
(TWN):OPERATION SUB-UNIT:CO-C1:SH:TWN:ASS'Y

14.D1291508 KEYTOP:HOME  
18.D1491428 TOUCH PANEL:WV GA-9:MV 201510-13 O/O  
38.D1491557 (TWN):COVER:UPPER:SH  
26.D1491512 COVER:REAR:LARGE  
31.D1491531 (x2) SPACER:LCD:B



50.D2021405  
[A]  
(TWN):OPERATION SUB-UNIT:CO-C1:SH:TWN:ASS'Y 201502-02 O/O

19.D1491478 PCB:OP-L:ASS'Y



15.D1291528 SHEET:KEYTOP:LEFT



30.D1491530 (x2) SPACER:LCD:A



24.D1491510 KEYTOP:LEFT



25.D1491511 LENS:FRONT



27.D1491513 COVER:REAR:SMA LL:LEFT



21.D1491504 KEYTOP:START



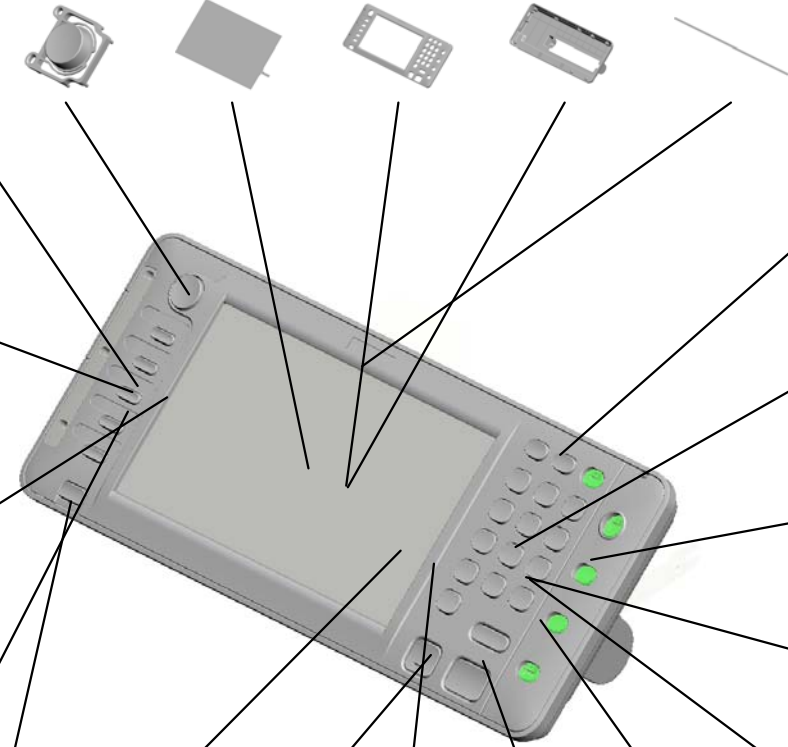
28.D1491514 COVER:REAR:SMA LL:MIDDLE



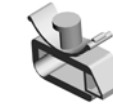
22.D1491505 KEYTOP:STOP



29.D1491515 COVER:REAR:SMA LL:RIGHT



23.D1491508 KEYTOP:RESET SWITCH



7.11050582 (x2) CLAMP:RBWS-051 0D-V0

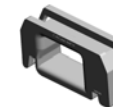
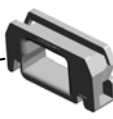


8.11050653 CLAMP:RLWS-2T V 0

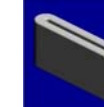
34.D1491538 (EU):(CHN):(TWN):KEYTOP:10KEY



9.11050723 CLAMPS:WES-050 7

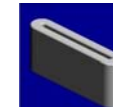
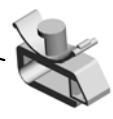


10.11050724 CLAMPS:WES-121 0



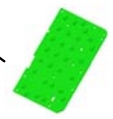
12.16072292 FERRITE CORE:K3 FF 31.00X8.00X3.0 0X0.50

7.11050582 CLAMP:RBWS-051 0D-V0



13.16072298 FERRITE CORE:K3 FF 33.50X8.00X6.5 0X1.30

20.D2021488 PCB:OP-R:ASS'Y 201503-02 O/O



1.03520030N (x 4) SCREW:M2X3  
2.03530040N (x15) SCREW - M3X4

U002\_S010  
 (TWN):OPERATION SUB-UNIT:CO-C1:SH:TWN:ASS'Y

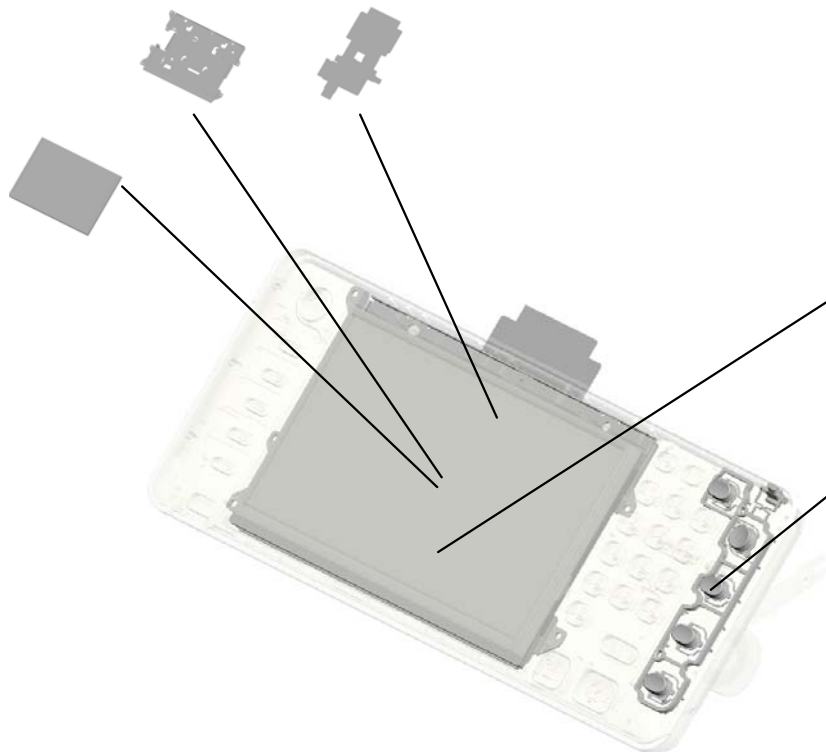
46.D1821517  
 BRACKET:LCDC:S  
 H

44.D1821500  
 SHIELD CASE:LCD  
 C



50.D2021405  
 [A]  
 (TWN):OPERATION  
 SUB-UNIT:CO-C1:  
 SH:TWN:ASS'Y  
 201502-02 O/O

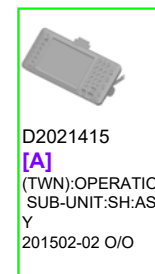
57.D1771499  
 LCD:TFT:WVGA-9:  
 LED:SH/AUO  
 201606-02 O/O



5.04593010N (x21)  
 BINDING HEAD TAPPING SCREW:3X10

45.D1821502  
 SHIELD TAPE:FFC

41.D1491588  
 KEYTOP:POWER S  
 OURCE:BA

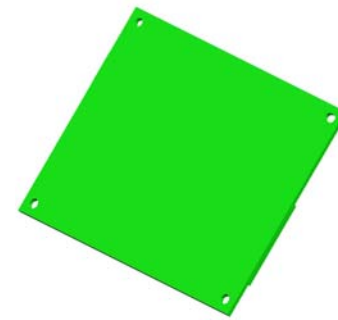


D2021415  
 [A]  
 (TWN):OPERATION  
 SUB-UNIT:SH:ASS'  
 Y  
 201502-02 O/O

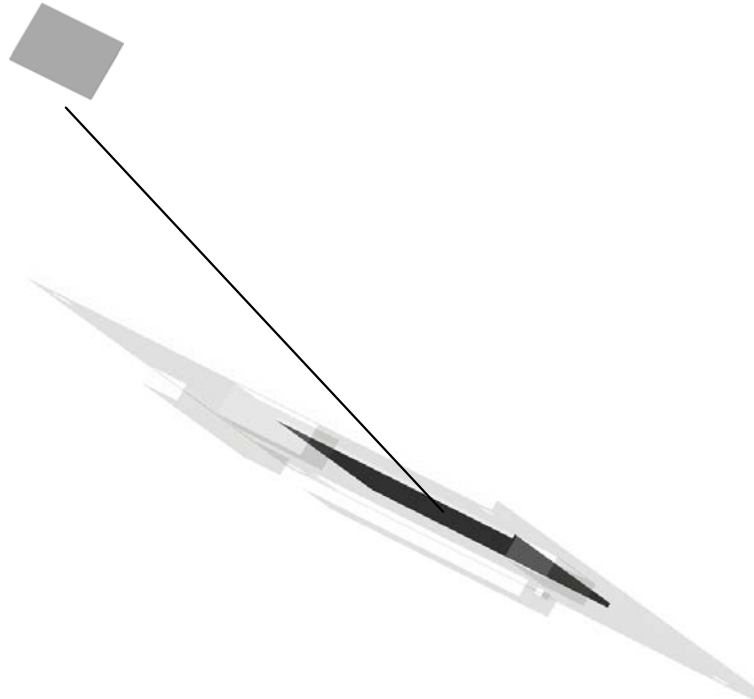
U001	U002	U003	U004	U005	U006	U007	U008	U009	U010	U011	U012	U013	U014	U015	U016	U017
------	------	------	------	------	------	------	------	------	------	------	------	------	------	------	------	------

U002\_S010\_S001  
PCB:LCDC:AR2FT:ASS'Y

40.D1491587  
ABSORPTION SHE  
ET:LCDC



51.D2021455  
PCB:LCDC:AR2FT:  
ASS'Y



U001	U002	U003	U004	U005	U006	U007	U008	U009	U010	U011	U012	U013	U014	U015	U016	U017
------	------	------	------	------	------	------	------	------	------	------	------	------	------	------	------	------

# U003.SCANNER

U003\_S001  
D1491793  
(NA):SCALE:LEFT:ASSY

U003\_S002  
D1491792  
(EU):(AA/KOR):(CHN):(TWN):  
SCALE:LEFT:ASSY

U003\_S007  
D2021703  
DC STEPPER MOTOR

U003\_S003  
D1491792  
(EU):(AA/KOR):(CHN):(TWN):  
SCALE:LEFT:ASSY

U003\_S008  
D2021771  
LENS:HOLDER:ASSY

U003\_S004  
D1491792  
(EU):(AA/KOR):(CHN):(TWN):  
SCALE:LEFT:ASSY

U003\_S010  
D2021721  
ILLUMINATION UNIT:LED-B:A  
SSY

U003\_S005  
D1491792  
(EU):(AA/KOR):(CHN):(TWN):  
SCALE:LEFT:ASSY

U003\_S006  
D1591740  
CARRIAGE:NO.2:ASSY

U003\_S009  
D1491730  
CARRIAGE:NO.1:ASSY

U001	U002	U003	U004	U005	U006	U007	U008	U009	U010	U011	U012	U013	U014	U015	U016	U017
------	------	------	------	------	------	------	------	------	------	------	------	------	------	------	------	------

# U003 SCANNER



- 2.03140120N SCREW - M4X12
- 4.03530060N (x3) BIND SCREW - M3 X6
- 13.11050724 CLAMPS:WES-1210
- 9.08025312 (x3) TAPPING SCREW: WASHER:3X10
- 12.11050488 (x3) HARNESS CLAMP

26.AW020207 PHOTOINTERRUP TOR:FLAT:PICH2M M:M4

7.04543006Q TAPPING SCREW - M3X6

22.AA143537 (x6) SCREW:M3:BLACK

14.11050758 (x6) CLAMP:LWSM-0306A

27.AW020214 PHOTOINTERRUP TOR:LG248NL1A

3.03530030N (x8) SCREW:M3X3

31.D2411727 SHEET:GAP:ASS'Y 201511-02 O/O

21.AA082144 (x2) BUSHING - 8X12X7

25.AW010155 (x2) ORIGINAL SENSO R:66MM:3.3V

19.A2501752 EXPOSURE GLASS

1.03130060N (x2) SCREW - M3X6

15.11050762 (x2) CLAMP:LWS-0711A

28.B2381806 (x4) IDLER PULLEY

11.08050106 (x2) RETAINING RINGS -E:SILENCER:DIA6

17.16072251 FERRITE CORE:K3 NF-75(N)BK0

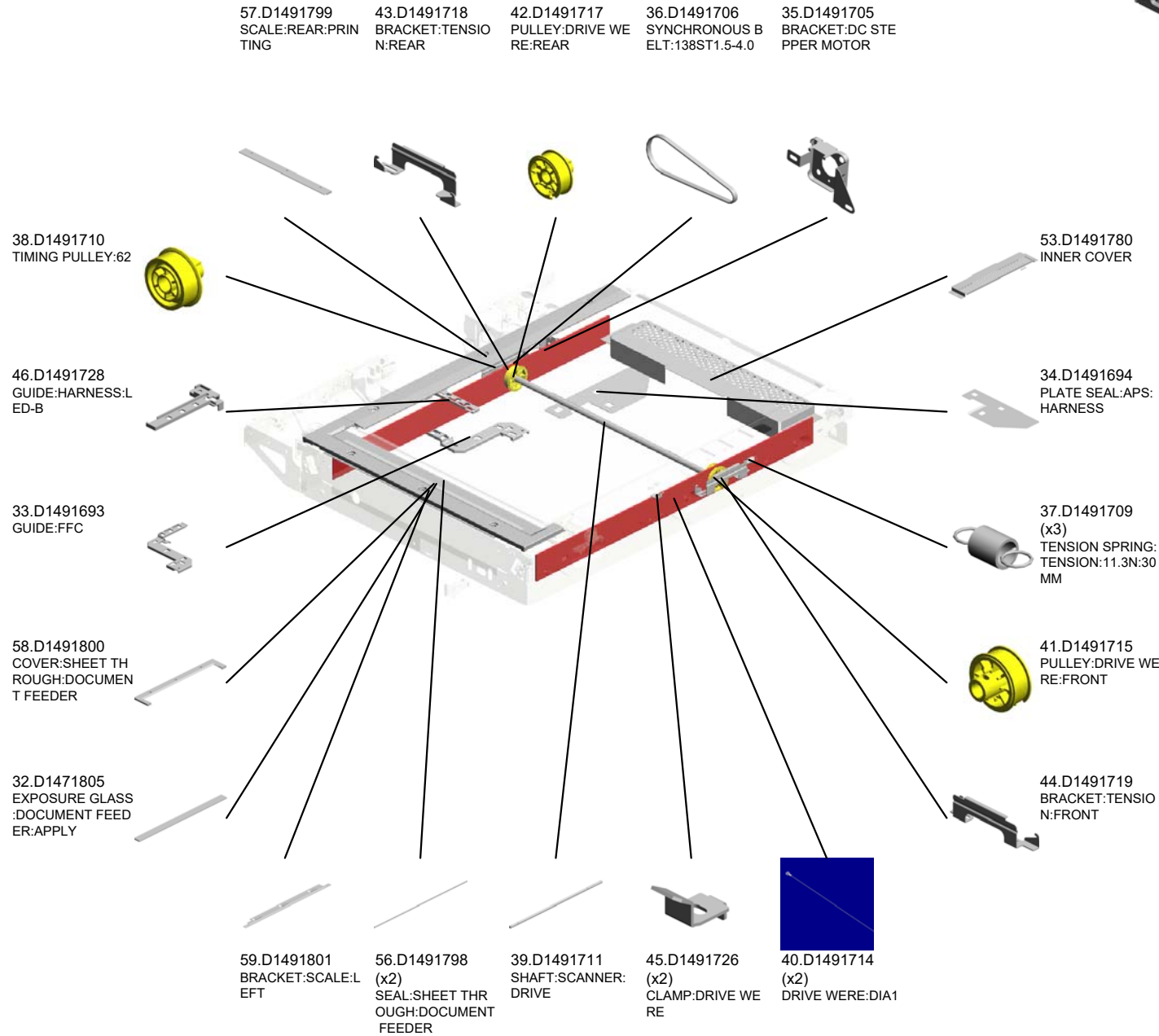
30.D0291749 PULLEY:PROTECTI ON

10.08046123 (x14) HEXAGONAL BOLT :W/WASHER:M3X8

16.16072249 (x2) FERRITE CORE:K3 NF-70-A(N)BK0

U001	U002	U003	U004	U005	U006	U007	U008	U009	U010	U011	U012	U013	U014	U015	U016	U017
------	------	------	------	------	------	------	------	------	------	------	------	------	------	------	------	------

# U003 SCANNER



U001	U002	U003	U004	U005	U006	U007	U008	U009	U010	U011	U012	U013	U014	U015	U016	U017
------	------	------	------	------	------	------	------	------	------	------	------	------	------	------	------	------

# U003 SCANNER



62.D1491816  
DOCUMENT FEED  
ER:CABLE:BRACK  
ET

61.D1491805  
(x4)  
HOLDER:EXPOSU  
RE GLASS

68.D2021814  
BRACKET:DOCUM  
ENT FEEDER:LEFT

72.G5701225  
SENSOR SHIELDIN  
G PLATE

67.D2021813  
BRACKET:DOCUM  
ENT FEEDER:RIGH  
T

60.D1491804  
(x4)  
HOLDER:EXPOSU  
RE GLASS:SCANN  
ER

69.D2025138  
PCB:SIO

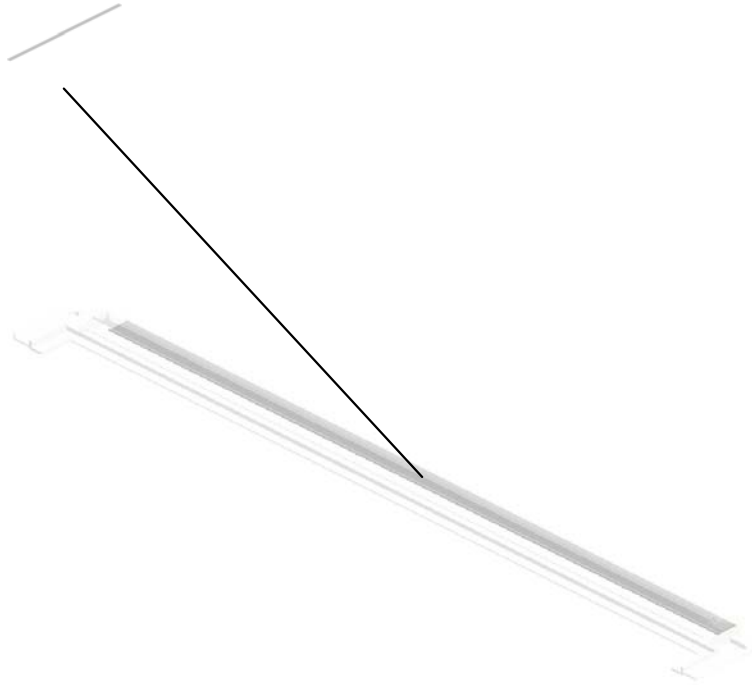
70.D2025201  
INTERFACE CABL  
E:SCANNER:LVDS:  
ASS'Y

U001	U002	U003	U004	U005	U006	U007	U008	U009	U010	U011	U012	U013	U014	U015	U016	U017
------	------	------	------	------	------	------	------	------	------	------	------	------	------	------	------	------

U003\_S001  
(NA):SCALE:LEFT:ASS'Y

20.A6283112  
SHIELDING SHEET

55.D1491793  
(NA):SCALE:LEFT:  
ASS'Y



U001	U002	U003	U004	U005	U006	U007	U008	U009	U010	U011	U012	U013	U014	U015	U016	U017
------	------	------	------	------	------	------	------	------	------	------	------	------	------	------	------	------

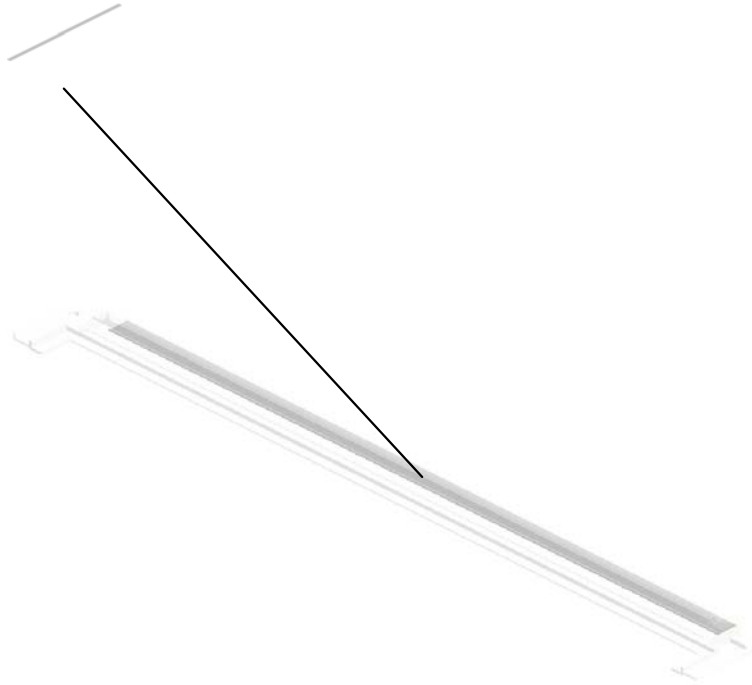


U003\_S002  
(EU):(AA/KOR):(CHN):(TWN):SCALE:LEFT:ASS'Y

20.A6283112  
SHIELDING SHEET



54.D1491792  
(EU):(AA/KOR):(CH  
N):(TWN):SCALE:L  
EFT:ASS'Y



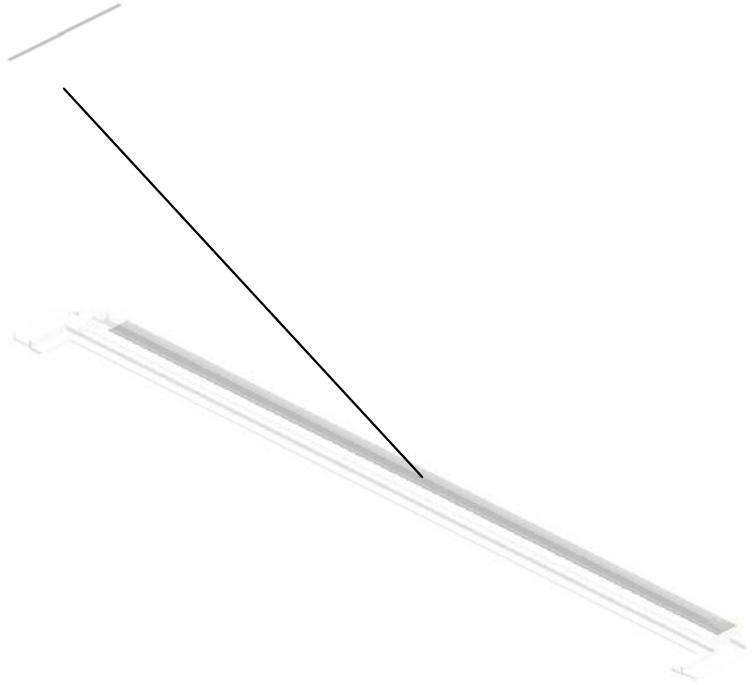
U001	U002	U003	U004	U005	U006	U007	U008	U009	U010	U011	U012	U013	U014	U015	U016	U017
------	------	------	------	------	------	------	------	------	------	------	------	------	------	------	------	------

U003\_S003  
(EU):(AA/KOR):(CHN):(TWN):SCALE:LEFT:ASS'Y

20.A6283112  
SHIELDING SHEET



54.D1491792  
(EU):(AA/KOR):(CH  
N):(TWN):SCALE:L  
EFT:ASS'Y



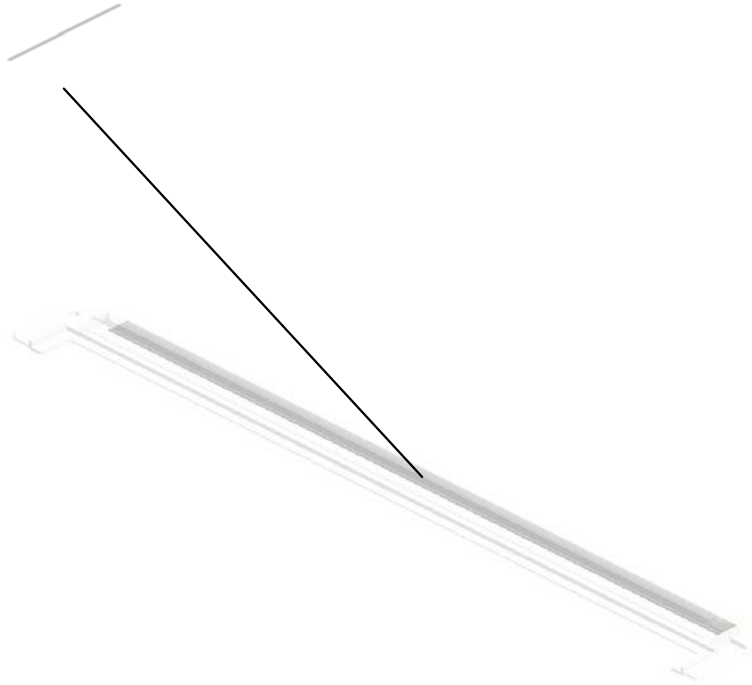
U001	U002	U003	U004	U005	U006	U007	U008	U009	U010	U011	U012	U013	U014	U015	U016	U017
------	------	------	------	------	------	------	------	------	------	------	------	------	------	------	------	------

U003\_S004  
(EU):(AA/KOR):(CHN):(TWN):SCALE:LEFT:ASS'Y

20.A6283112  
SHIELDING SHEET



54.D1491792  
(EU):(AA/KOR):(CH  
N):(TWN):SCALE:L  
EFT:ASS'Y



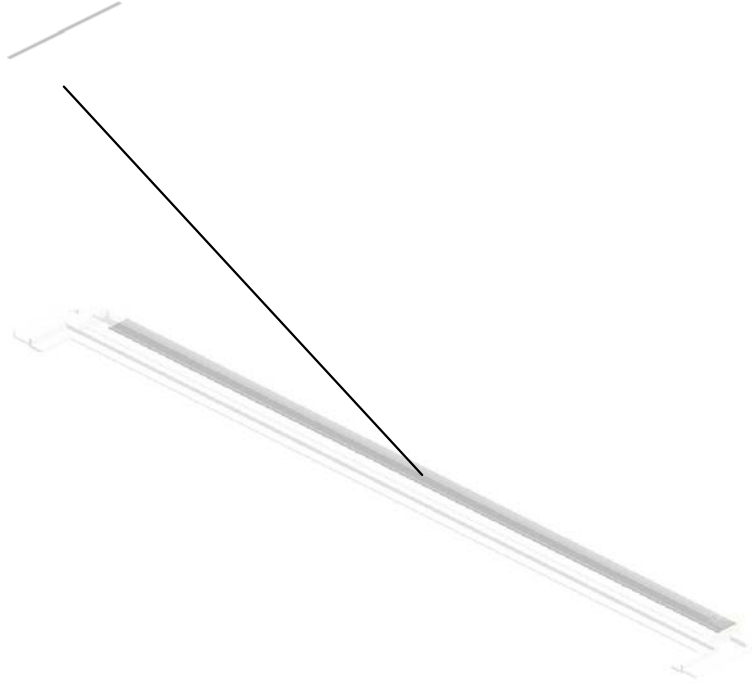
U001	U002	U003	U004	U005	U006	U007	U008	U009	U010	U011	U012	U013	U014	U015	U016	U017
------	------	------	------	------	------	------	------	------	------	------	------	------	------	------	------	------

U003\_S005  
(EU):(AA/KOR):(CHN):(TWN):SCALE:LEFT:ASS'Y

20.A6283112  
SHIELDING SHEET



54.D1491792  
(EU):(AA/KOR):(CH  
N):(TWN):SCALE:L  
EFT:ASS'Y



U001	U002	U003	U004	U005	U006	U007	U008	U009	U010	U011	U012	U013	U014	U015	U016	U017
------	------	------	------	------	------	------	------	------	------	------	------	------	------	------	------	------

U003\_S006  
CARRIAGE:NO.2:ASS'Y

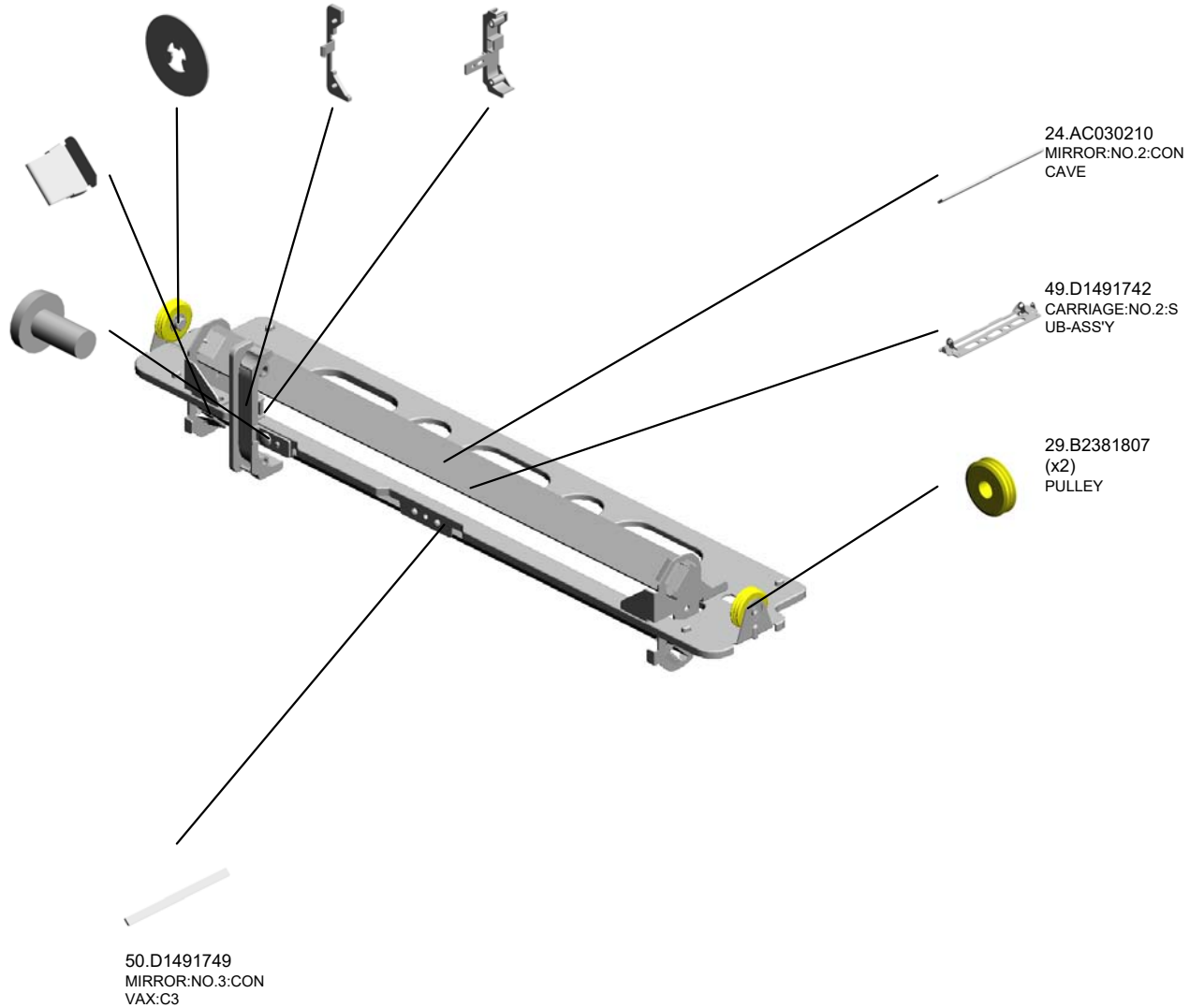
8.07200040E (x2) RETAINING RING - M4  
 52.D1491755 COVER:FFC:CARRI AGE:NO.2  
 51.D1491754 GUIDE:FFC:CARRI AGE:NO.2



63.D1591740  
CARRIAGE:NO.2:A  
SS'Y

71.G4042810 (x4) SPRING PLATE - 2 ND MIRROR

4.03530060N BIND SCREW - M3 X6



50.D1491749 MIRROR:NO.3:CON VAX:C3

24.AC030210 MIRROR:NO.2:CON CAVE

49.D1491742 CARRIAGE:NO.2:S UB-ASS'Y

29.B2381807 (x2) PULLEY

U001	U002	U003	U004	U005	U006	U007	U008	U009	U010	U011	U012	U013	U014	U015	U016	U017
------	------	------	------	------	------	------	------	------	------	------	------	------	------	------	------	------

U003\_S007  
DC STEPPER MOTOR

4.03530060N  
(x2)  
BIND SCREW - M3  
X6



64.D2021703  
DC STEPPER MOT  
OR



18.A2324666  
CUSHION - STEPP  
ER MOTOR

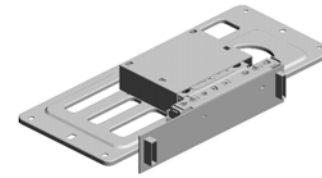


U001	U002	U003	U004	U005	U006	U007	U008	U009	U010	U011	U012	U013	U014	U015	U016	U017
------	------	------	------	------	------	------	------	------	------	------	------	------	------	------	------	------

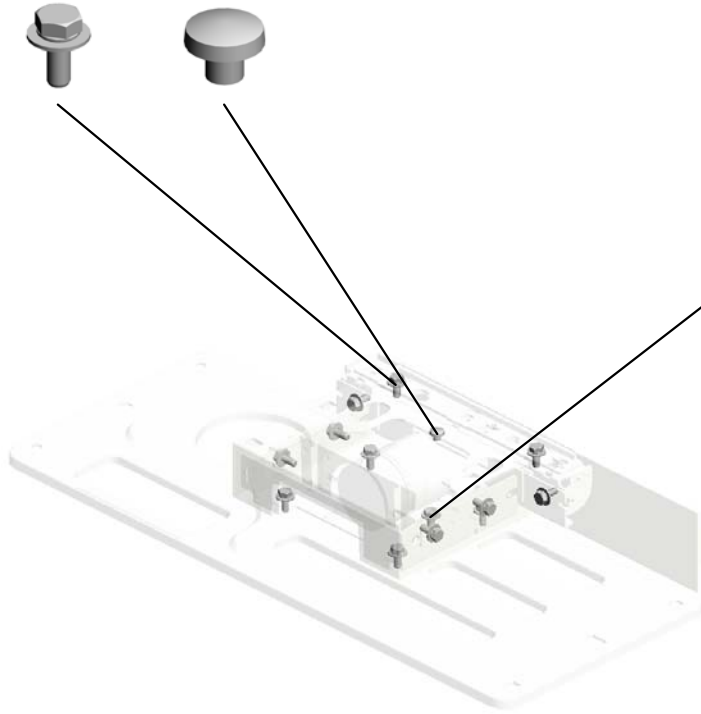
U003\_S008  
LENS:HOLDER:ASS'Y

10.08046123 (x12)  
HEXAGONAL BOLT :W/WASHER:M3X8

3.03530030N  
SCREW:M3X3



66.D2021771  
LENS:HOLDER:AS  
SY



6.04513006N  
TAPPING SCREW -  
3X6



10.08046123  
(x2)  
HEXAGONAL BOLT  
:W/WASHER:M3X8

6.04513006N (x 1)  
TAPPING SCREW - 3X6

U001	U002	U003	U004	U005	U006	U007	U008	U009	U010	U011	U012	U013	U014	U015	U016	U017
------	------	------	------	------	------	------	------	------	------	------	------	------	------	------	------	------

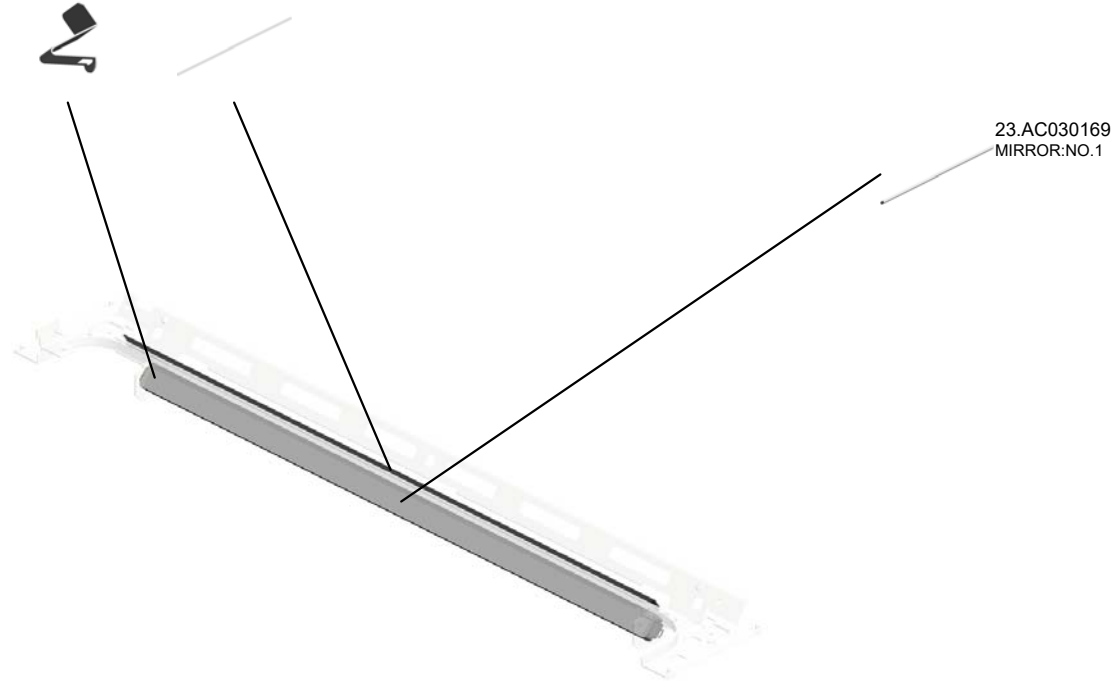
U003\_S009  
CARRIAGE:NO.1:ASS'Y

73.M0261815  
(x2)  
CLAMP:MIRROR:NER  
O.1

48.D1491731  
REFLECTOR:SCAN  
NER



47.D1491730  
CARRIAGE:NO.1:ASS'Y



23.AC030169  
MIRROR:NO.1

U001	U002	U003	U004	U005	U006	U007	U008	U009	U010	U011	U012	U013	U014	U015	U016	U017
------	------	------	------	------	------	------	------	------	------	------	------	------	------	------	------	------



U003\_S010  
ILLUMINATION UNIT:LED-B:ASS'Y

4.03530060N  
(x3)  
BIND SCREW - M3  
X6

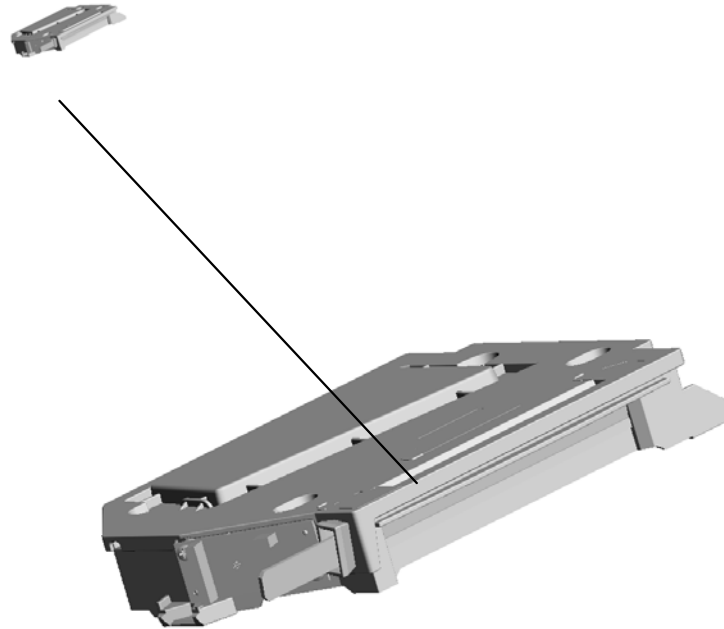


65.D2021721  
ILLUMINATION UNI  
T:LED-B:ASS'Y

U001	U002	U003	U004	U005	U006	U007	U008	U009	U010	U011	U012	U013	U014	U015	U016	U017
------	------	------	------	------	------	------	------	------	------	------	------	------	------	------	------	------

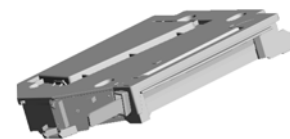
# U004.LASER UNIT

U004 S001  
D2021860  
OPTICAL WRITING UNIT:D20  
0/D201/D202



U001	U002	U003	U004	U005	U006	U007	U008	U009	U010	U011	U012	U013	U014	U015	U016	U017
------	------	------	------	------	------	------	------	------	------	------	------	------	------	------	------	------

U004  
LASER UNIT

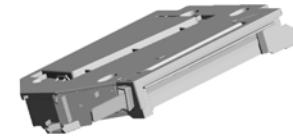


U001	U002	U003	U004	U005	U006	U007	U008	U009	U010	U011	U012	U013	U014	U015	U016	U017
------	------	------	------	------	------	------	------	------	------	------	------	------	------	------	------	------

U004\_S001  
OPTICAL WRITING UNIT:D200/D201/D202

2.11050758  
CLAMP:LWSM-030  
6A

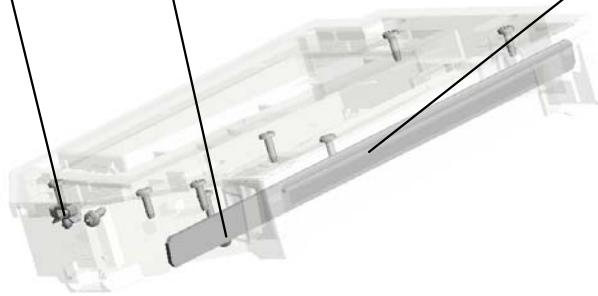
1.04593010N  
(x10)  
BINDING HEAD TA  
PPING SCREW:3X  
10



3.D2021860  
OPTICAL WRITING  
UNIT:D200/D201/D  
202



4.AC015063  
SHIELD GLASS



U001	U002	U003	<b>U004</b>	U005	U006	U007	U008	U009	U010	U011	U012	U013	U014	U015	U016	U017
------	------	------	-------------	------	------	------	------	------	------	------	------	------	------	------	------	------

# U005.PAPER FEED

U005\_S001  
D1492713  
GUIDE PLATE:SWIVEL:NO.1

U005\_S002  
D2022735  
PAPER FEED UNIT:NO.1:ASS  
Y

U005\_S004  
D1492905  
SUPPORTER:RIGHT:NO.1:AS  
S'Y

U005\_S003  
D2022736  
PAPER FEED UNIT:NO.2:ASS  
Y

U005\_S010  
D2022800  
PAPER TRAY:NO.1:ASSY

U005\_S005  
D1492903  
SUPPORTER:RIGHT:NO.2:AS  
S'Y

U005\_S006  
D2022902  
SUPPORTER:LEFT:NO.1:ASS  
Y

U005\_S009  
AX040273  
DC MOTOR:RISING TRAY:AS  
S'Y:1.007W:BRUSH

U005\_S007  
D2022904  
SUPPORTER:LEFT:NO.2:ASS  
Y

U005\_S008  
AX040273  
DC MOTOR:RISING TRAY:AS  
S'Y:1.007W:BRUSH

U005\_S011  
D2022807  
PAPER TRAY:NO.2:ASSY

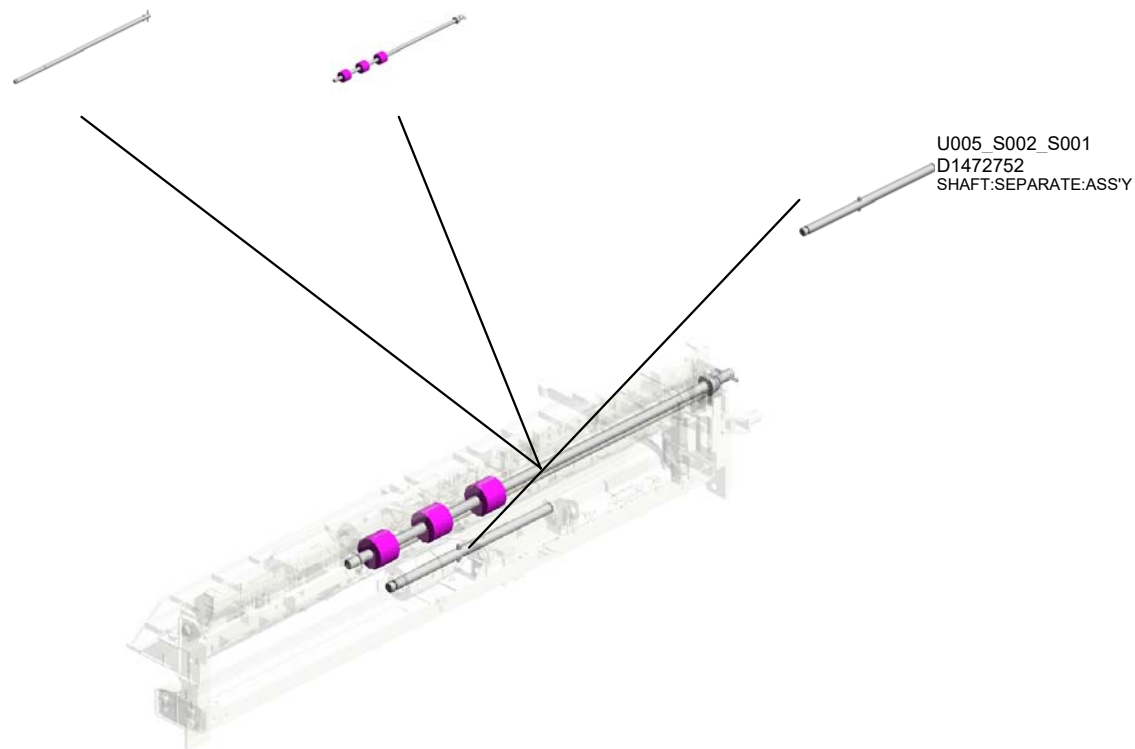
U001	U002	U003	U004	U005	U006	U007	U008	U009	U010	U011	U012	U013	U014	U015	U016	U017
------	------	------	------	------	------	------	------	------	------	------	------	------	------	------	------	------

# U005\_S002.PAPER FEED UNIT:NO.1:ASS'Y

U005 S002 S002  
D1492775  
SHAFT:FEED:ASS'Y

U005 S002 S003  
D2022759  
TRANSPORT ROLLER:VERTI  
CAL TRANSPORT:ASS'Y

U005\_S002\_S001  
D1472752  
SHAFT:SEPARATE:ASS'Y



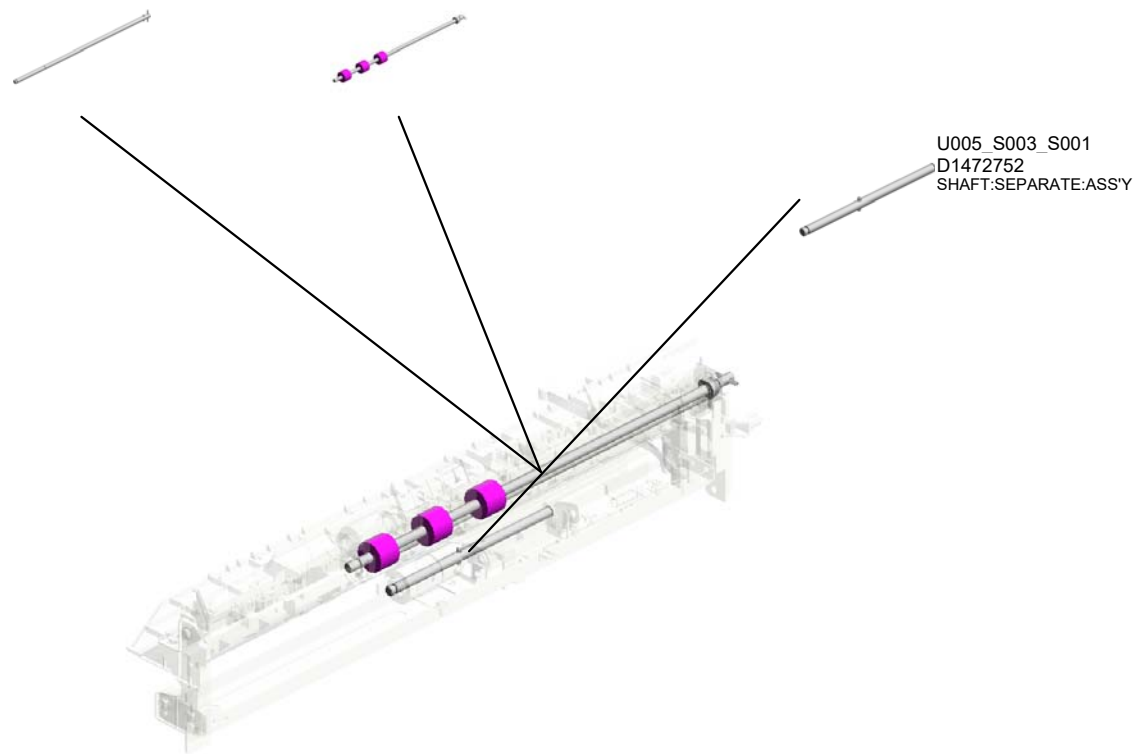
U001	U002	U003	U004	U005	U006	U007	U008	U009	U010	U011	U012	U013	U014	U015	U016	U017
------	------	------	------	------	------	------	------	------	------	------	------	------	------	------	------	------

# U005\_S003.PAPER FEED UNIT:NO.2:ASS'Y

U005 S003 S002  
D1492775  
SHAFT:FEED:ASS'Y

U005 S003 S003  
D2022759  
TRANSPORT ROLLER:VERTI  
CAL TRANSPORT:ASS'Y

U005\_S003\_S001  
D1472752  
SHAFT:SEPARATE:ASS'Y



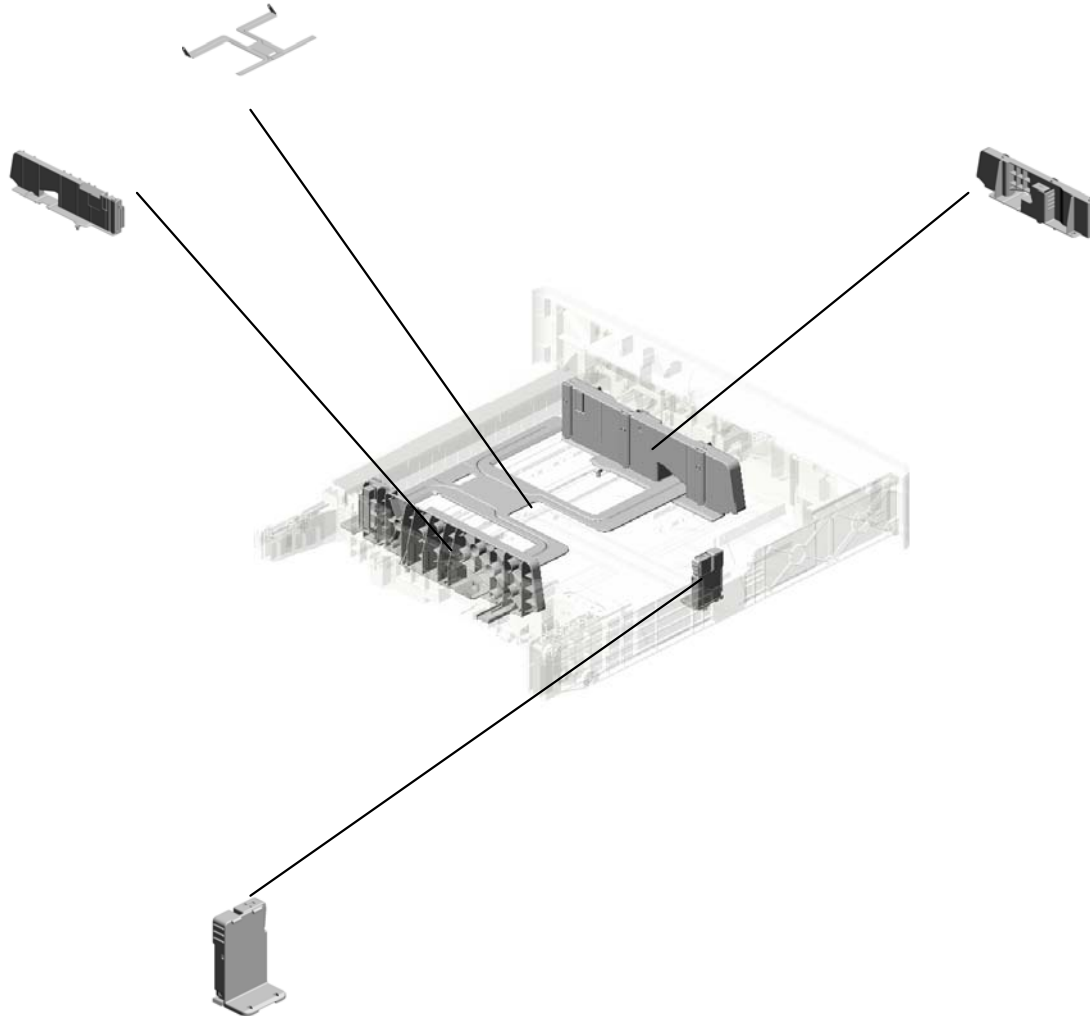
U001	U002	U003	U004	U005	U006	U007	U008	U009	U010	U011	U012	U013	U014	U015	U016	U017
------	------	------	------	------	------	------	------	------	------	------	------	------	------	------	------	------

# U005\_S010.PAPER TRAY:NO.1:ASS'Y

U005 S010 S002  
D1492873  
TRAY BOTTOM PLATE:NO.2:  
ASS'Y

U005\_S010\_S004  
D2022885  
SIDE FENCE:REAR:ASS'Y

U005\_S010\_S003  
D1492878  
SIDE FENCE:FRONT:ASS'Y



U005 S010 S001  
D1492840  
END FENCE:PAPER TRAY:A  
SS'Y

U001	U002	U003	U004	<b>U005</b>	U006	U007	U008	U009	U010	U011	U012	U013	U014	U015	U016	U017
------	------	------	------	-------------	------	------	------	------	------	------	------	------	------	------	------	------

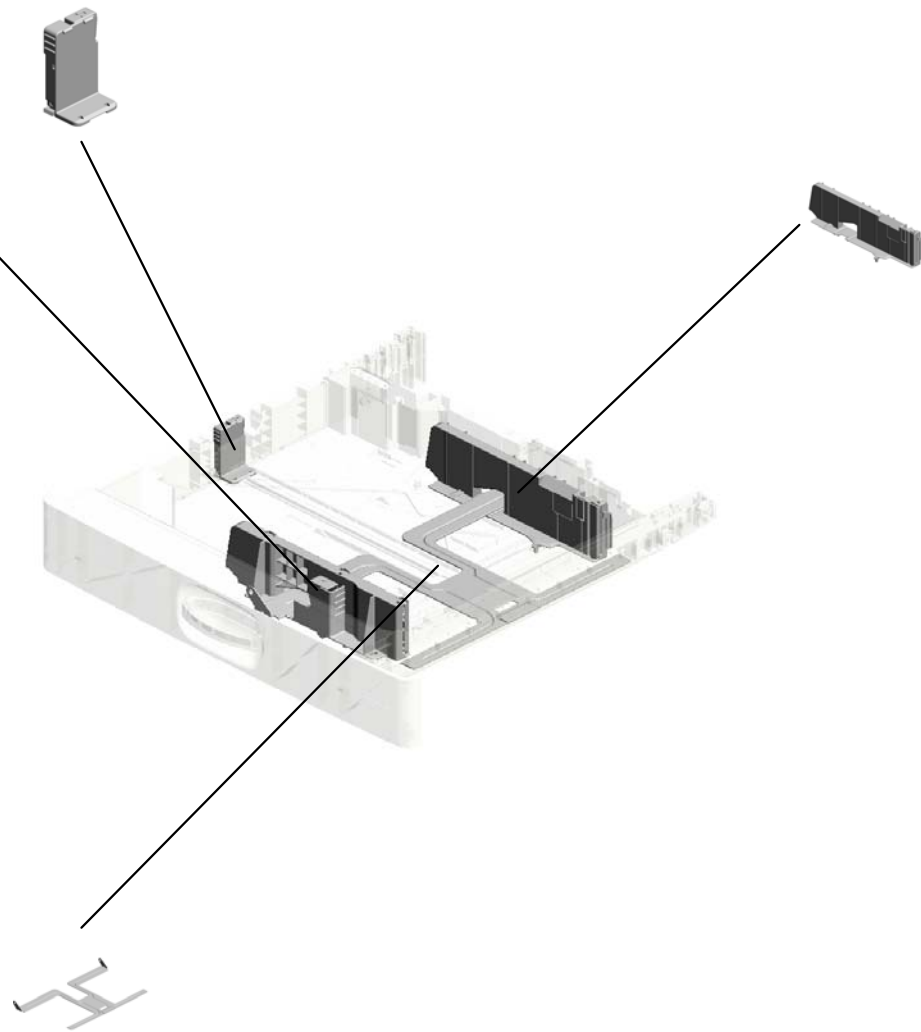


# U005\_S011.PAPER TRAY:NO.2:ASS'Y

U005 S011 S001  
D1492840  
END FENCE:PAPER TRAY:A  
SS'Y

U005\_S011\_S003  
D1492878  
SIDE FENCE:FRONT:ASS'Y

U005\_S011\_S004  
D2022885  
SIDE FENCE:REAR:ASS'Y



U005 S011 S002  
D1492873  
TRAY BOTTOM PLATE:NO.2:  
ASS'Y

U001	U002	U003	U004	<b>U005</b>	U006	U007	U008	U009	U010	U011	U012	U013	U014	U015	U016	U017
------	------	------	------	-------------	------	------	------	------	------	------	------	------	------	------	------	------

# U005 PAPER FEED

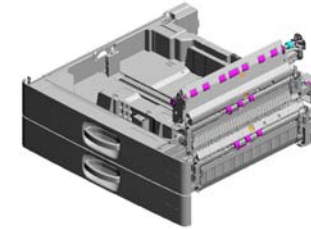
16.11050758  
(x5)  
CLAMP:LWSM-030  
6A

103.D2022566  
CASE:REMOVE PA  
PER DUST:ASS'Y

102.D2022561  
SHAFT:REGISTRA  
TION ROLLER:DRI  
VEN

101.D2022551  
STAY:REGISTRATI  
ON:ASS'Y

21.AA082186  
(x2)  
PLAIN SHAFT BEA  
RING:DI8XDIA12X  
12:EG-1



12.07200060E  
(x3)  
RETAINING RING -  
M6



24.AB011573  
GEAR:REGISTRATI  
ON:NO.2



11.07200040E  
(x2)  
RETAINING RING -  
M4



63.D1492788  
INNER COVER:HA  
RNES: PAPER FE  
ED UNIT



5.04543008Q  
(x5)  
TAPPING SCREW:  
3X8



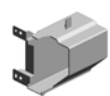
62.D1492787  
BRACKET:SUPPO  
RT:COVER



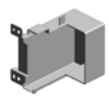
4.04543006Q  
(x30)  
TAPPING SCREW -  
M3X6



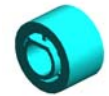
100.D1752888  
COVER:TRAY:REA  
R RIGHT:NO.2



99.D1752886  
COVER:TRAY:REA  
R RIGHT:NO.1



23.AB011572  
GEAR:Z19:DRIVEN:  
REGISTRATION



19.AA082173  
(x2)  
PLAIN SHAFT BEA  
RING:6X10X6



17.11050765  
CLAMP:LWS-2218A



7.04583010N  
(x5)  
HEXAGON HEAD T  
APPING SCREW:3  
X10



4.04543006Q (x 4)  
TAPPING SCREW - M3X6  
15.11024559 (x 1)  
CONNECTOR - 3P

49.D1492721  
GUIDE PLATE:SWI  
VEL:NO.2



30.AW500040  
(x2)  
PUSH SWITCH:SW  
1AG-550:10MA

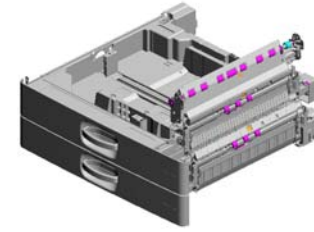


31.AW500046  
(x2)  
PUSH SWITCH:PA  
PER SIZE SENSOR  
201607-01 O/O



# U005 PAPER FEED

104.D2022576  
GUIDE PLATE:REG  
ISTRATION:DRIVE  
N



123.GW010007  
PHOTO REFLECTI  
ON SENSOR.EXIT



129.D2412731  
(x2)  
STOPPER:GUIDE P  
LATE:SWIVEL  
201702-01

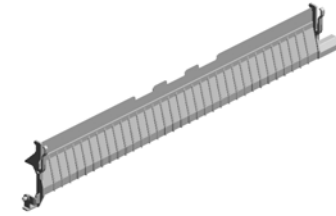
119.D2022887  
COVER:PAPER TR  
AY:LEFT REAR



U001	U002	U003	U004	<b>U005</b>	U006	U007	U008	U009	U010	U011	U012	U013	U014	U015	U016	U017
------	------	------	------	-------------	------	------	------	------	------	------	------	------	------	------	------	------

U005\_S001  
GUIDE PLATE:SWIVEL:NO.1

47.D1492712  
SHEET:GUIDE PLA  
TE:SWIVEL

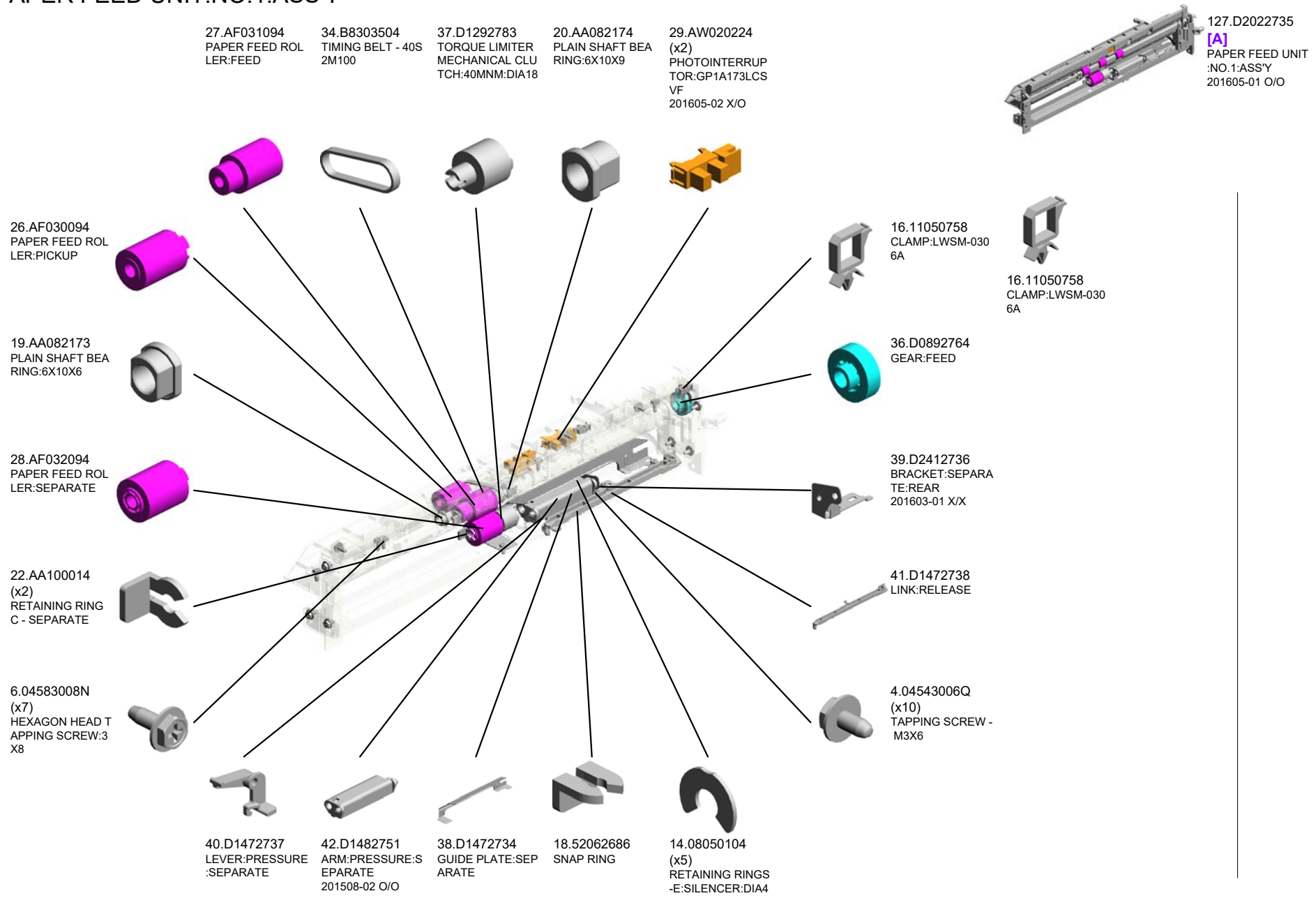


48.D1492713  
GUIDE PLATE:SWI  
VEL:NO.1



U001	U002	U003	U004	U005	U006	U007	U008	U009	U010	U011	U012	U013	U014	U015	U016	U017
------	------	------	------	------	------	------	------	------	------	------	------	------	------	------	------	------

U005\_S002  
PAPER FEED UNIT:NO.1:ASS'Y



U001	U002	U003	U004	U005	U006	U007	U008	U009	U010	U011	U012	U013	U014	U015	U016	U017
------	------	------	------	------	------	------	------	------	------	------	------	------	------	------	------	------

U005\_S002  
PAPER FEED UNIT:NO.1:ASS'Y

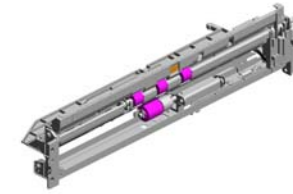
64.D2022791  
GUIDE:FEED  
201510-09 X/O

54.D1492774  
PULLEY:IDLER:PI  
KUP

57.D2022778  
FEELER:PAPER E  
ND  
201510-06 X/O

109.D2022786  
DISCHARGE BRUS  
H:PAPER FEED UN  
IT:UPPER

107.D2022714  
GUIDE PLATE:VER  
TICAL TRANSPOR  
T:PAPER FEED UN  
IT:NO.1



127.D2022735  
[A]  
PAPER FEED UNIT  
:NO.1:ASS'Y  
201605-01 O/O

61.D1492784  
BRACKET:SENSO  
R:PAPER FEED

123.GW010007  
(x2)  
PHOTO REFLECTI  
ON SENSOR:EXIT

110.D2022787  
GROUND PLATE:DI  
SCHARGE BRUSH:  
PAPER FEED UNIT

58.D1492780  
GROUND WIRE:SE  
NSOR:PAPER FEE  
D

59.D1492781  
GROUND PLATE:P  
APER FEED UNIT

60.D1492782  
PLATE:HARNESS:  
PAPER FEED UNIT

53.D1492773  
PULLEY:PICKUP:M  
ECHANICAL ROLL  
ER CLUTCH

126.D2412730  
STAY:SEPARATE:P  
EEN

44.D1472754  
COIL SPRING:PRE  
SSURE:SEPARATE

52.D1492772  
ARM:PICKUP

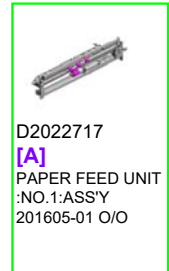
46.D1482702  
SPACER:TRANSP  
ORT ROLLER

122.G0652767  
LEVER - FEED

56.D1492777  
COIL SPRING:PRE  
SSURE:PICKUP

50.D1492739  
LEVER:PRESSURE  
RELEASE

45.D1482755  
COIL SPRING:REL  
EASE:SEPARATE  
201604-01 O/O

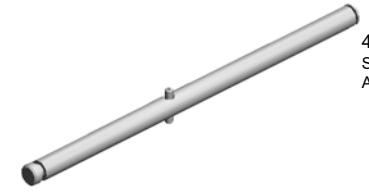


D2022717  
[A]  
PAPER FEED UNIT  
:NO.1:ASS'Y  
201605-01 O/O

U001	U002	U003	U004	U005	U006	U007	U008	U009	U010	U011	U012	U013	U014	U015	U016	U017
------	------	------	------	------	------	------	------	------	------	------	------	------	------	------	------	------

U005\_S002\_S001  
SHAFT:SEPARATE:ASS'Y

8.06220100E  
SPRING PIN - 2X10  
MM



43.D1472752  
SHAFT:SEPARATE:  
ASS'Y

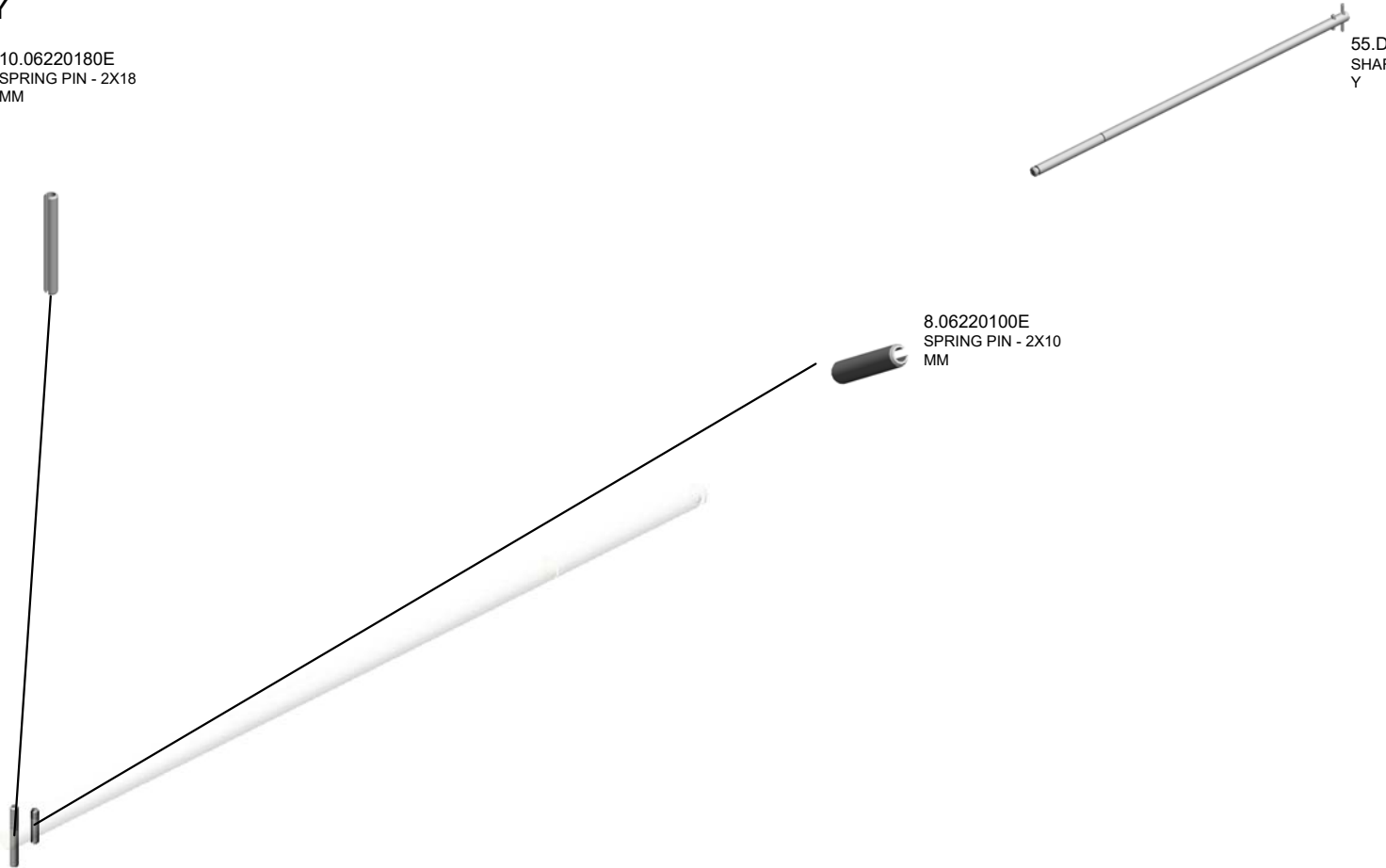
U001	U002	U003	U004	<b>U005</b>	U006	U007	U008	U009	U010	U011	U012	U013	U014	U015	U016	U017
------	------	------	------	-------------	------	------	------	------	------	------	------	------	------	------	------	------

U005\_S002\_S002  
SHAFT:FEED:ASS'Y

10.06220180E  
SPRING PIN - 2X18  
MM

55.D1492775  
SHAFT:FEED:ASS'  
Y

8.06220100E  
SPRING PIN - 2X10  
MM



U001	U002	U003	U004	U005	U006	U007	U008	U009	U010	U011	U012	U013	U014	U015	U016	U017
------	------	------	------	------	------	------	------	------	------	------	------	------	------	------	------	------



U005\_S002\_S003  
TRANSPORT ROLLER:VERTICAL TRANSPORT:ASS'Y

9.06220160E  
SPRING PIN - 2X16  
MM



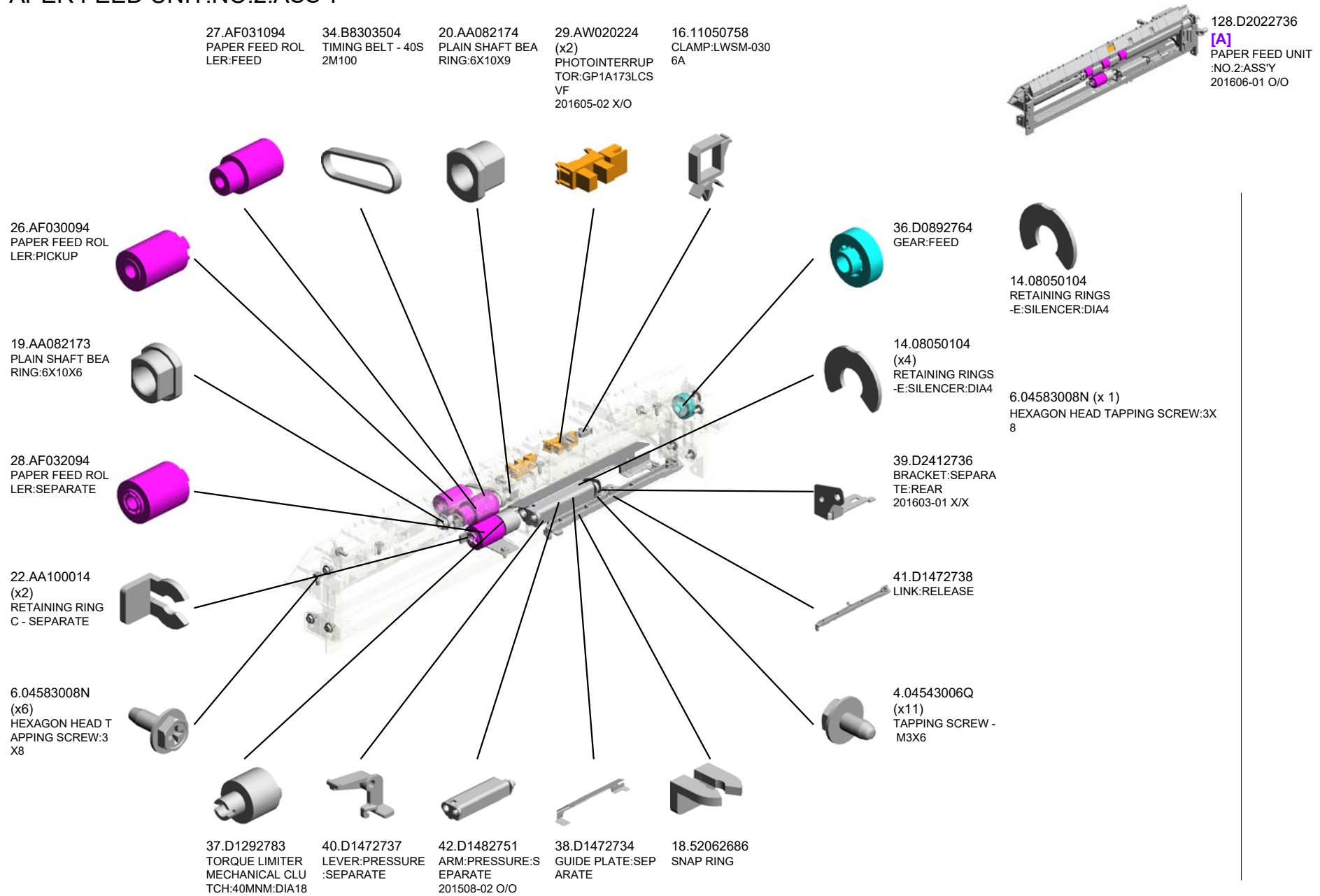
19.AA082173  
PLAIN SHAFT BEA  
RING:6X10X6



108.D2022759  
TRANSPORT ROLL  
ER:VERTICAL TRA  
NSPORT:ASS'Y

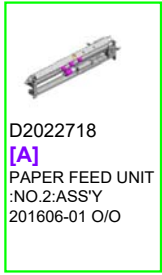
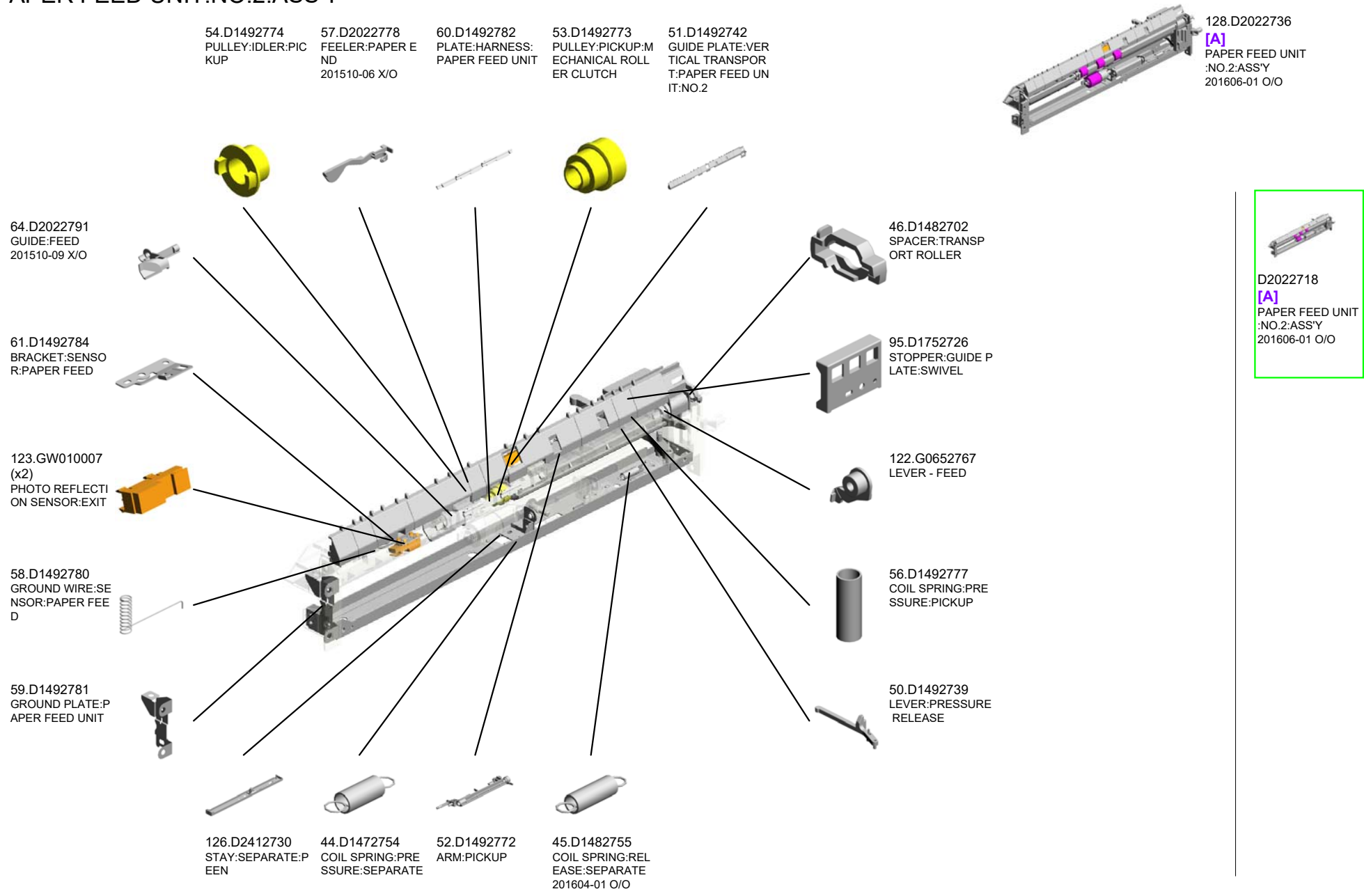
U001	U002	U003	U004	U005	U006	U007	U008	U009	U010	U011	U012	U013	U014	U015	U016	U017
------	------	------	------	------	------	------	------	------	------	------	------	------	------	------	------	------

# U005\_S003 PAPER FEED UNIT:NO.2:ASS'Y



U001	U002	U003	U004	U005	U006	U007	U008	U009	U010	U011	U012	U013	U014	U015	U016	U017
------	------	------	------	------	------	------	------	------	------	------	------	------	------	------	------	------

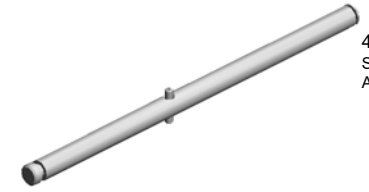
U005\_S003  
PAPER FEED UNIT:NO.2:ASS'Y



U001	U002	U003	U004	U005	U006	U007	U008	U009	U010	U011	U012	U013	U014	U015	U016	U017
------	------	------	------	------	------	------	------	------	------	------	------	------	------	------	------	------

U005\_S003\_S001  
SHAFT:SEPARATE:ASS'Y

8.06220100E  
SPRING PIN - 2X10  
MM



43.D1472752  
SHAFT:SEPARATE:  
ASS'Y

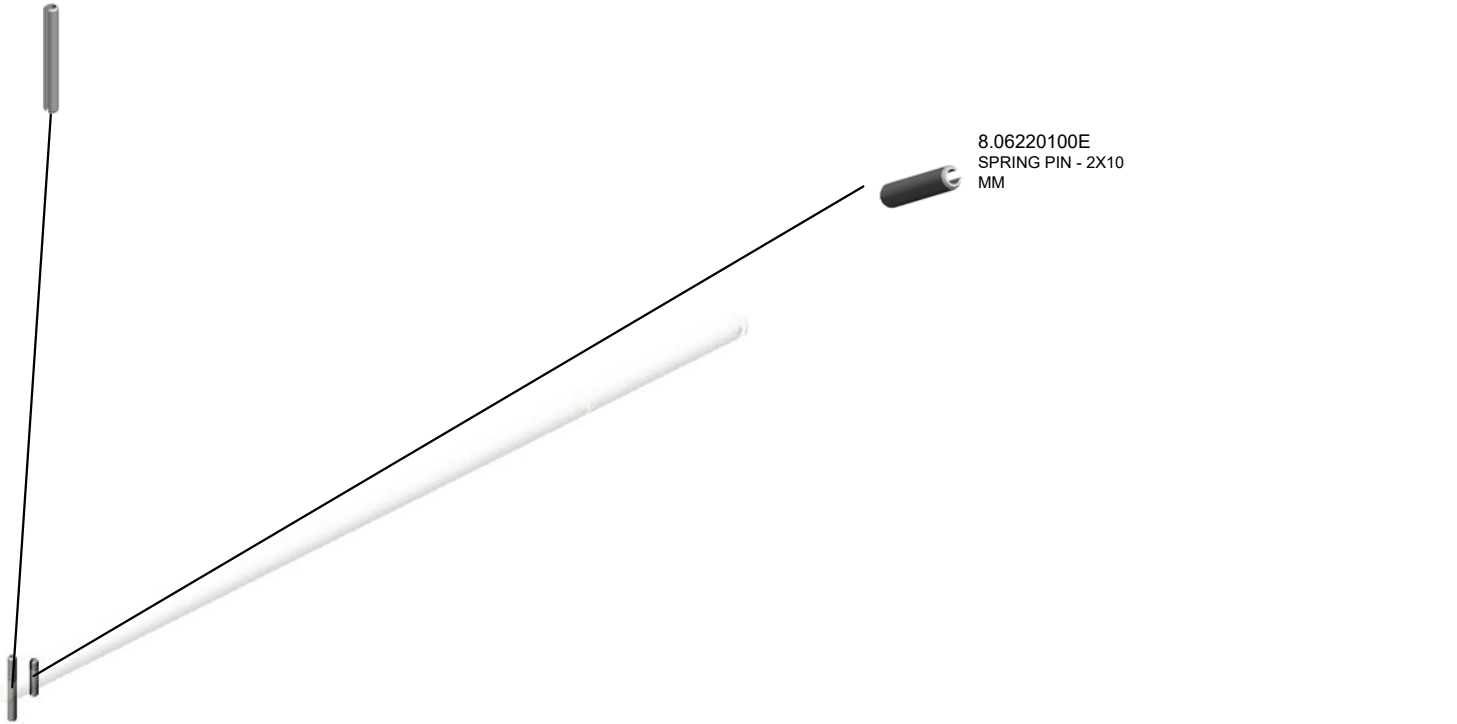
U001	U002	U003	U004	U005	U006	U007	U008	U009	U010	U011	U012	U013	U014	U015	U016	U017
------	------	------	------	------	------	------	------	------	------	------	------	------	------	------	------	------

U005\_S003\_S002  
SHAFT:FEED:ASS'Y

10.06220180E  
SPRING PIN - 2X18  
MM

55.D1492775  
SHAFT:FEED:ASS'  
Y

8.06220100E  
SPRING PIN - 2X10  
MM

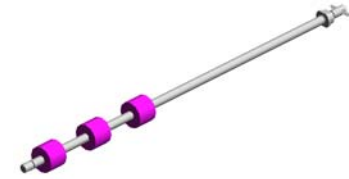


U001	U002	U003	U004	U005	U006	U007	U008	U009	U010	U011	U012	U013	U014	U015	U016	U017
------	------	------	------	------	------	------	------	------	------	------	------	------	------	------	------	------

U005\_S003\_S003

TRANSPORT ROLLER:VERTICAL TRANSPORT:ASS'Y

9.06220160E  
SPRING PIN - 2X16  
MM



108.D2022759  
TRANSPORT ROLL  
ER:VERTICAL TRA  
NSPORT:ASS'Y



19.AA082173  
PLAIN SHAFT BEA  
RING:6X10X6



U001	U002	U003	U004	U005	U006	U007	U008	U009	U010	U011	U012	U013	U014	U015	U016	U017
------	------	------	------	------	------	------	------	------	------	------	------	------	------	------	------	------

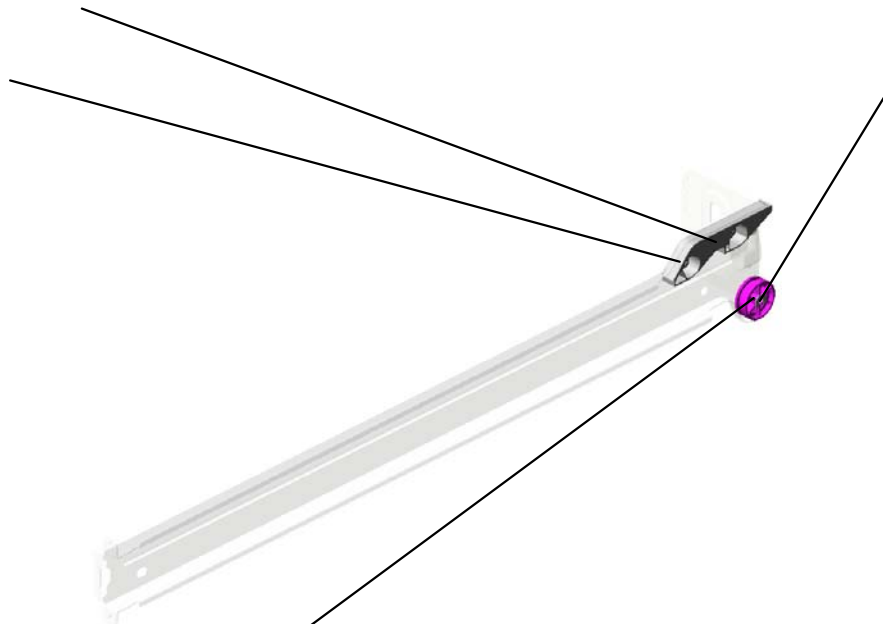
U005\_S004  
SUPPORTER:RIGHT:NO.1:ASS'Y

91.D1492924  
STOPPER:PAPER  
TRAY



89.D1492905  
SUPPORTER:RIGHT:  
T:NO.1:ASS'Y

4.04543006Q  
(x3)  
TAPPING SCREW -  
M3X6



13.08050103  
RETAINING RINGS  
-E:SILENCER:DIA3



94.D1492956  
ROLLER:SUPPORT  
ER:PAPER TRAY

U001	U002	U003	U004	<b>U005</b>	U006	U007	U008	U009	U010	U011	U012	U013	U014	U015	U016	U017
------	------	------	------	-------------	------	------	------	------	------	------	------	------	------	------	------	------

U005\_S005  
SUPPORTER:RIGHT:NO.2:ASS'Y

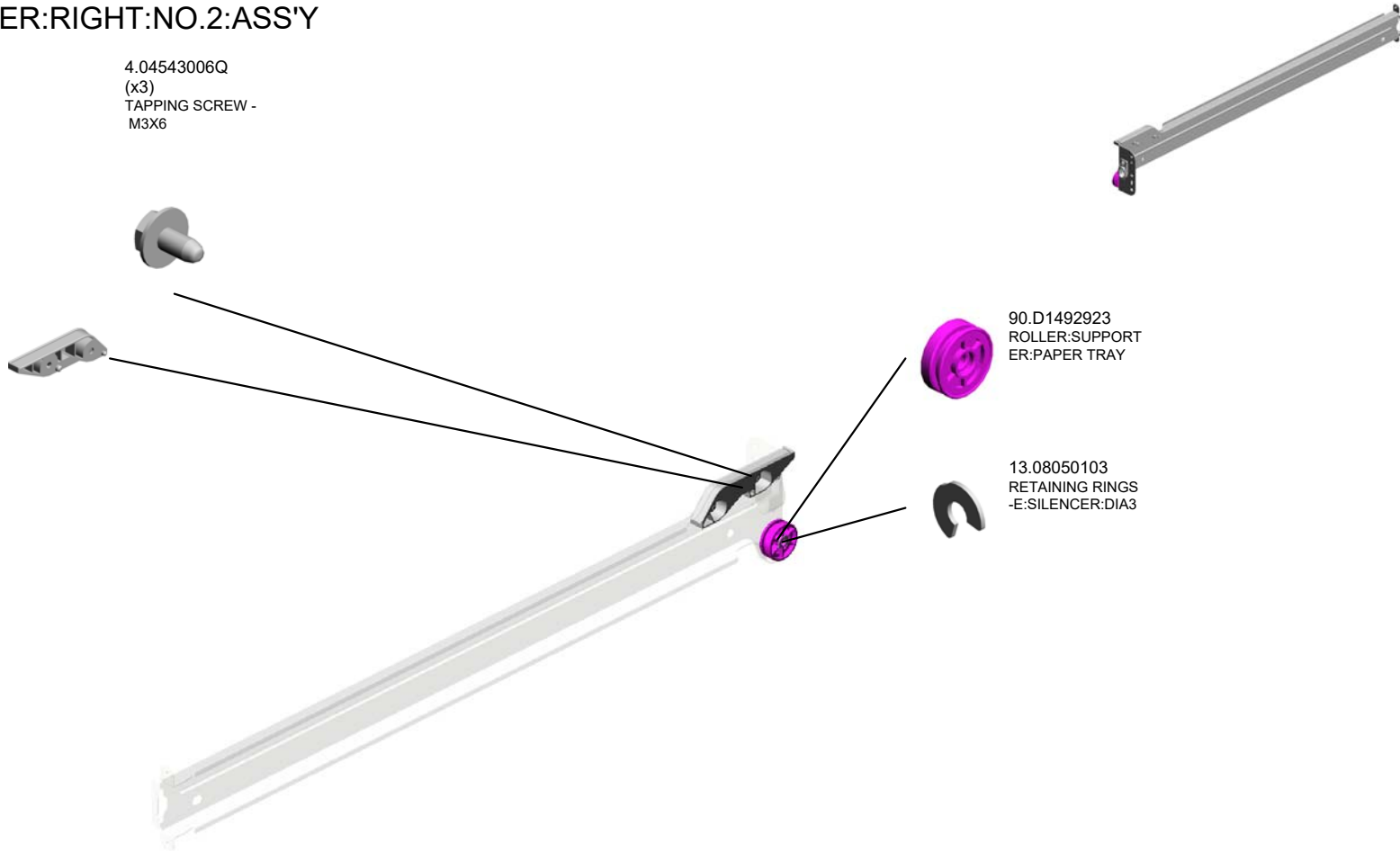
4.04543006Q  
(x3)  
TAPPING SCREW -  
M3X6

88.D1492903  
SUPPORTER:RIGH  
T:NO.2:ASS'Y

91.D1492924  
STOPPER:PAPER  
TRAY

90.D1492923  
ROLLER:SUPPORT  
ER:PAPER TRAY

13.08050103  
RETAINING RINGS  
-E:SILENCER: DIA3



U001	U002	U003	U004	U005	U006	U007	U008	U009	U010	U011	U012	U013	U014	U015	U016	U017
------	------	------	------	------	------	------	------	------	------	------	------	------	------	------	------	------

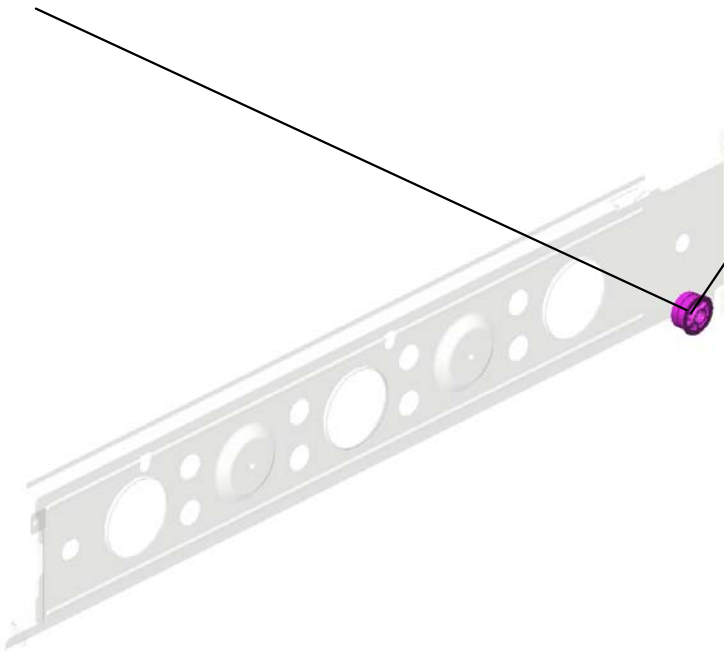


U005\_S006  
SUPPORTER:LEFT:NO.1:ASS'Y

13.08050103  
RETAINING RINGS  
-E:SILENCER:DIA3



120.D2022902  
SUPPORTER:LEFT  
:NO.1:ASSY

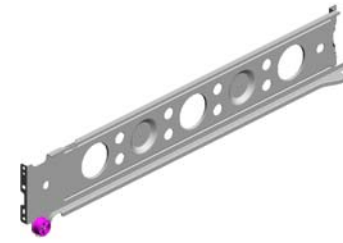


92.D1492928  
ROLLER:SUPPORT  
ER:PAPER TRAY:L  
EFT

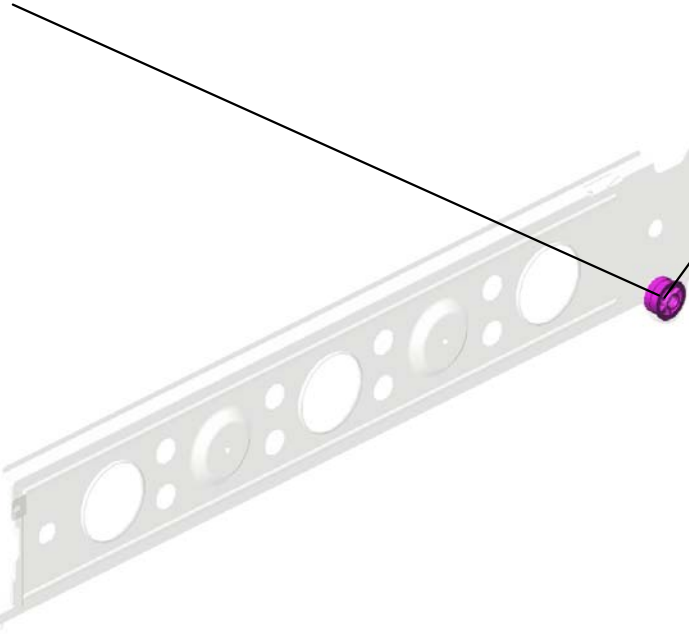
U001	U002	U003	U004	<b>U005</b>	U006	U007	U008	U009	U010	U011	U012	U013	U014	U015	U016	U017
------	------	------	------	-------------	------	------	------	------	------	------	------	------	------	------	------	------

U005\_S007  
SUPPORTER:LEFT:NO.2:ASS'Y

13.08050103  
RETAINING RINGS  
-E:SILENCER:DIA3



121.D2022904  
SUPPORTER:LEFT  
:NO.2:ASSY

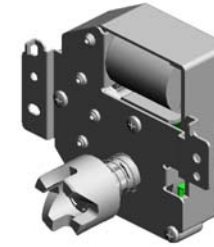


92.D1492928  
ROLLER:SUPPORT  
ER:PAPER TRAY:L  
EFT

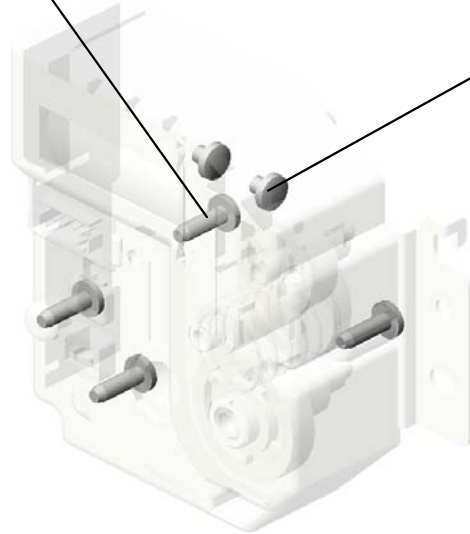
U001	U002	U003	U004	<b>U005</b>	U006	U007	U008	U009	U010	U011	U012	U013	U014	U015	U016	U017
------	------	------	------	-------------	------	------	------	------	------	------	------	------	------	------	------	------

U005\_S008  
DC MOTOR:RISING TRAY:ASS'Y:1.007W:BRUSH

3.04523010N  
(x4)  
BINDING SELF-TA  
PPING SCREW:3X  
10



32.AX040273  
DC MOTOR:RISING  
TRAY:ASS'Y:1.007  
W:BRUSH

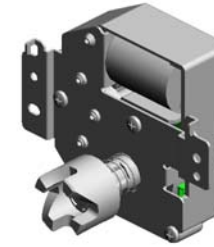


1.03530030N  
(x2)  
SCREW:M3X3

U001	U002	U003	U004	U005	U006	U007	U008	U009	U010	U011	U012	U013	U014	U015	U016	U017
------	------	------	------	------	------	------	------	------	------	------	------	------	------	------	------	------

U005\_S009  
DC MOTOR:RISING TRAY:ASS'Y:1.007W:BRUSH

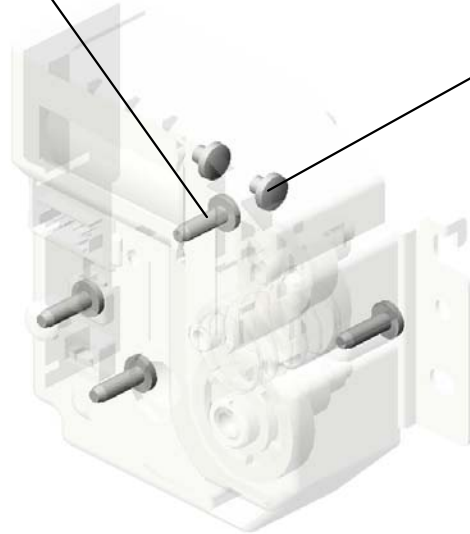
3.04523010N  
(x4)  
BINDING SELF-TAPPING SCREW:3X10



32.AX040273  
DC MOTOR:RISING  
TRAY:ASS'Y:1.007  
W:BRUSH



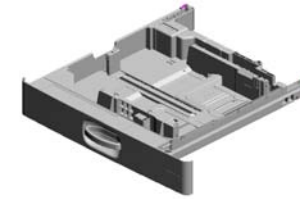
1.03530030N  
(x2)  
SCREW:M3X3



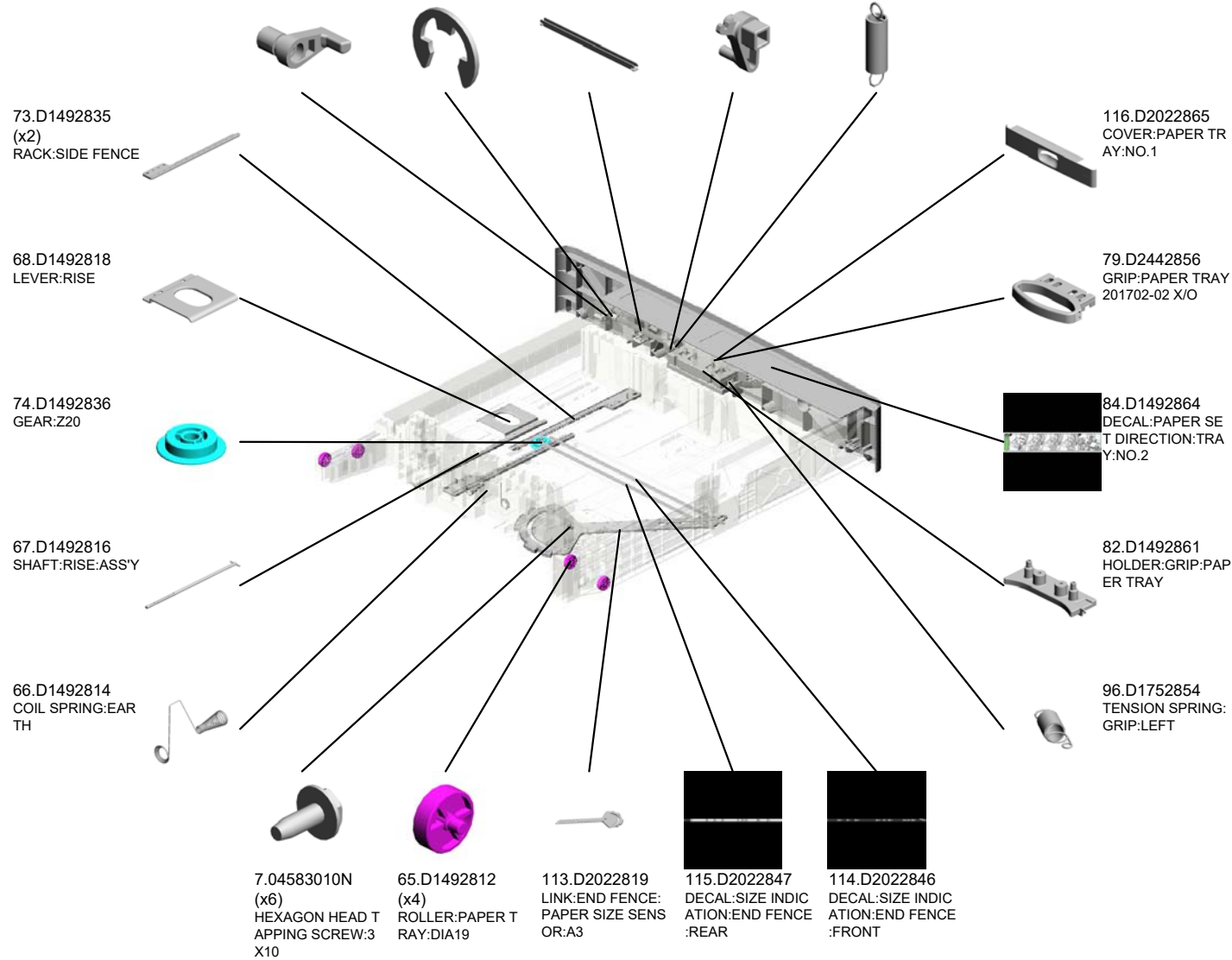
U001	U002	U003	U004	U005	U006	U007	U008	U009	U010	U011	U012	U013	U014	U015	U016	U017
------	------	------	------	------	------	------	------	------	------	------	------	------	------	------	------	------

U005\_S010  
PAPER TRAY:NO.1:ASS'Y

97.D1752858 LEVER:RELEASE:P  
APER TRAY:OUTE  
R  
12.07200060E RETAINING RING -  
M6  
81.D1492859 SHAFT:RELEASE:P  
APER TRAY:NO.1  
80.D1492857 LEVER:RELEASE:I  
NNER:NO.1  
35.D0392566 TENSION SPRING:  
GRIP:RIGHT



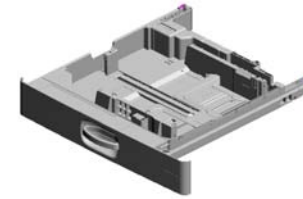
111.D2022800  
PAPER TRAY:NO.1  
:ASS'Y



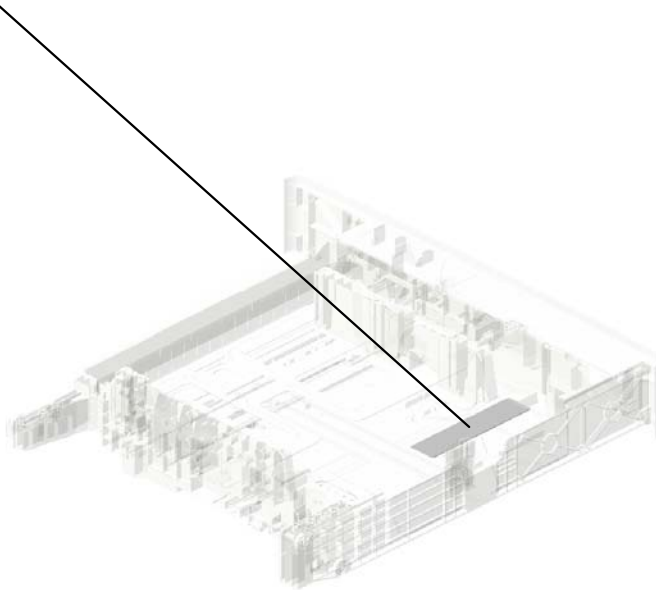
U001	U002	U003	U004	U005	U006	U007	U008	U009	U010	U011	U012	U013	U014	U015	U016	U017
------	------	------	------	------	------	------	------	------	------	------	------	------	------	------	------	------

U005\_S010  
PAPER TRAY:NO.1:ASS'Y

117.D2022868  
DECAL:SIZE INDIC  
ATION:SIDE FENC  
E:NO.1



111.D2022800  
PAPER TRAY:NO.1  
:ASS'Y



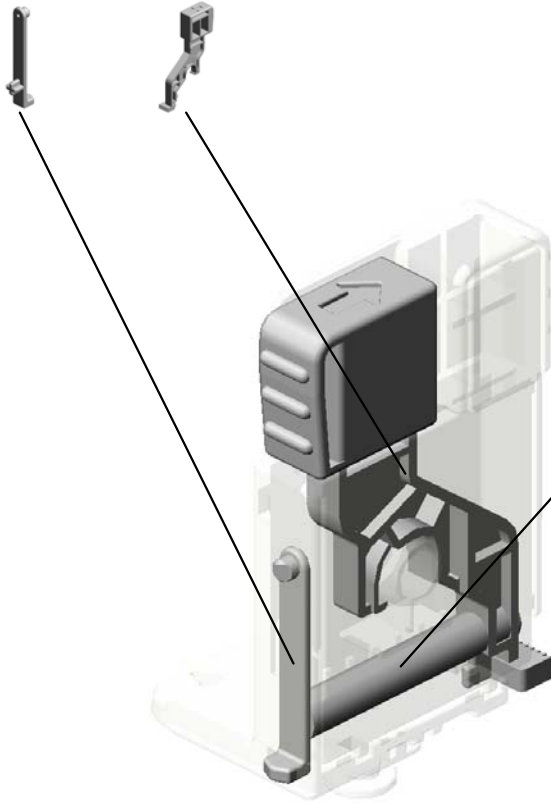
U001	U002	U003	U004	<b>U005</b>	U006	U007	U008	U009	U010	U011	U012	U013	U014	U015	U016	U017
------	------	------	------	-------------	------	------	------	------	------	------	------	------	------	------	------	------

U005\_S010\_S001  
END FENCE:PAPER TRAY:ASS'Y

77.D1492843    76.D1492842  
CLICK:END FENCE    LEVER:END FENCE



75.D1492840  
END FENCE:PAPE  
R TRAY:ASS'Y

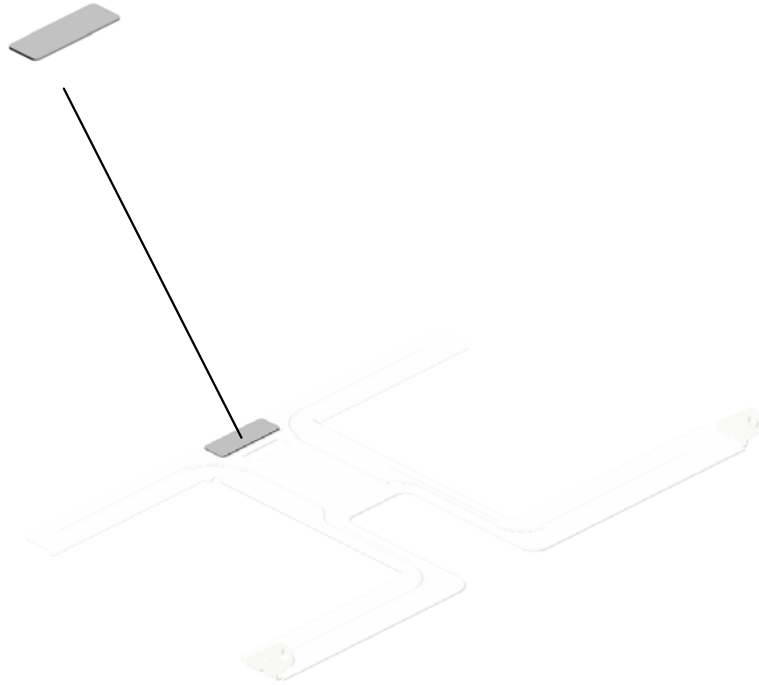


78.D1492845  
COMPRESSION SP  
RING:END FENCE:  
LEVER:5N

U001	U002	U003	U004	U005	U006	U007	U008	U009	U010	U011	U012	U013	U014	U015	U016	U017
------	------	------	------	------	------	------	------	------	------	------	------	------	------	------	------	------

U005\_S010\_S002  
TRAY BOTTOM PLATE:NO.2:ASS'Y

25.AF013006  
BOTTOM PLATE P  
AD



86.D1492873  
TRAY BOTTOM PL  
ATE:NO.2:ASS'Y

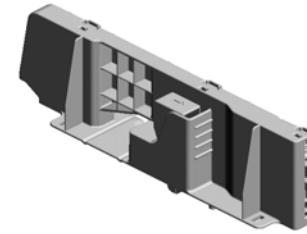
U001	U002	U003	U004	U005	U006	U007	U008	U009	U010	U011	U012	U013	U014	U015	U016	U017
------	------	------	------	------	------	------	------	------	------	------	------	------	------	------	------	------



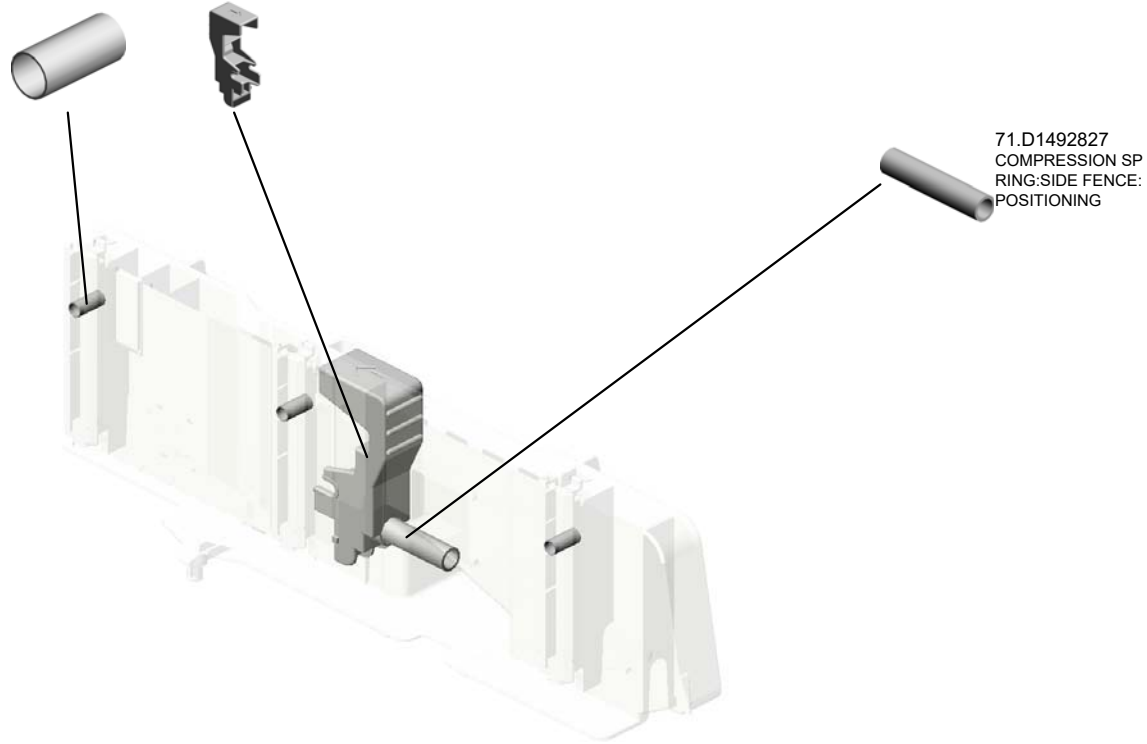
U005\_S010\_S003  
SIDE FENCE:FRONT:ASS'Y

70.D1492826  
(x3)  
COMPRESSION SP  
RING:SIDE FENCE:  
PLATE:FRONT

69.D1492824  
LEVER:STOPPER:  
FRONT



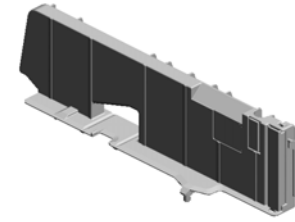
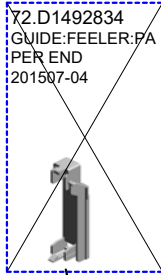
87.D1492878  
SIDE FENCE:FRON  
T:ASS'Y



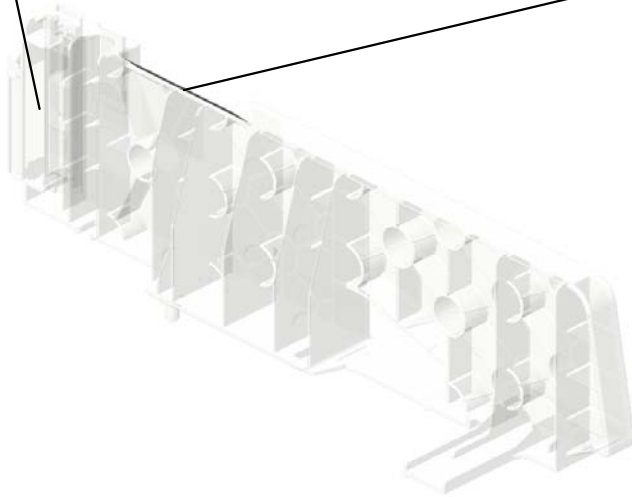
71.D1492827  
COMPRESSION SP  
RING:SIDE FENCE:  
POSITIONING

U001	U002	U003	U004	U005	U006	U007	U008	U009	U010	U011	U012	U013	U014	U015	U016	U017
------	------	------	------	------	------	------	------	------	------	------	------	------	------	------	------	------

U005\_S010\_S004  
SIDE FENCE:REAR:ASS'Y



118.D2022885  
SIDE FENCE:REAR  
:ASS'Y



U001	U002	U003	U004	<b>U005</b>	U006	U007	U008	U009	U010	U011	U012	U013	U014	U015	U016	U017
------	------	------	------	-------------	------	------	------	------	------	------	------	------	------	------	------	------

U005\_S011  
PAPER TRAY:NO.2:ASS'Y

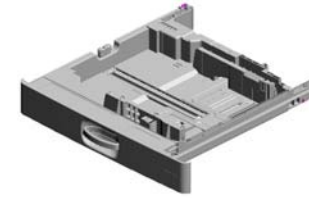
114.D2022846  
DECAL:SIZE INDIC  
ATION:END FENCE  
:FRONT

98.D1752872  
LINK:END FENCE:  
PAPER SIZE SENS  
OR

115.D2022847  
DECAL:SIZE INDIC  
ATION:END FENCE  
:REAR

65.D1492812  
(x4)  
ROLLER:PAPER T  
RAY:DIA19

7.04583010N  
(x6)  
HEXAGON HEAD T  
APPING SCREW:3  
X10



112.D2022807  
[A]  
PAPER TRAY:NO.2  
:ASS'Y  
201512-01 X/O

84.D1492864  
DECAL:PAPER SE  
T DIRECTION:TRA  
Y:NO.2

96.D1752854  
TENSION SPRING:  
GRIP:LEFT

82.D1492861  
HOLDER:GRIP:PAP  
ER TRAY

79.D2442856  
GRIP:PAPER TRAY  
201702-02 X/O

85.D1472866  
COVER:PAPER TR  
AY:NO.2  
201507-01 O/O

35.D0392566  
TENSION SPRING:  
GRIP:RIGHT

33.B2232862  
LEVER - RELEASE  
INNER

83.D1492862  
SHAFT:RELEASE:P  
APER TRAY:NO.2

12.07200060E  
RETAINING RING -  
M6

97.D1752858  
LEVER:RELEASE:P  
APER TRAY:OUTE  
R

66.D1492814  
COIL SPRING:EAR  
TH

67.D1492816  
SHAFT:RISE:ASS'Y

74.D1492836  
GEAR:Z20

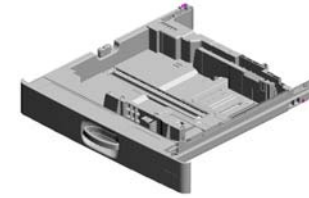
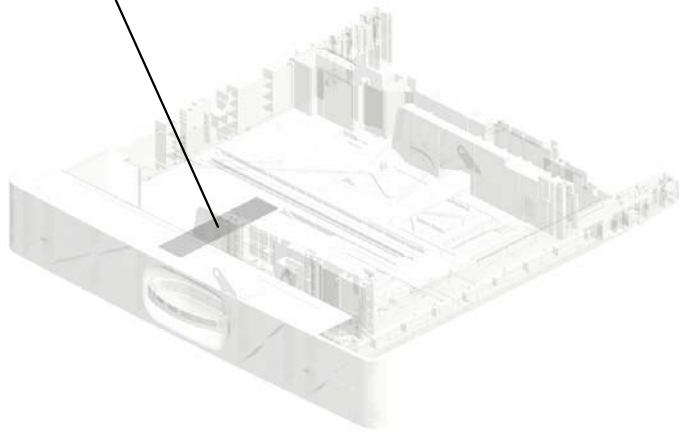
68.D1492818  
LEVER:RISE

73.D1492835  
(x2)  
RACK:SIDE FENCE

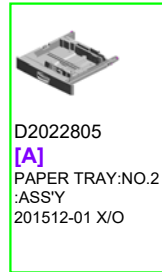
U001	U002	U003	U004	U005	U006	U007	U008	U009	U010	U011	U012	U013	U014	U015	U016	U017
------	------	------	------	------	------	------	------	------	------	------	------	------	------	------	------	------

U005\_S011  
PAPER TRAY:NO.2:ASS'Y

117.D2022868  
DECAL:SIZE INDIC  
ATION:SIDE FENC  
E:NO.1



112.D2022807  
[A]  
PAPER TRAY:NO.2  
:ASS'Y  
201512-01 X/O



D2022805  
[A]  
PAPER TRAY:NO.2  
:ASS'Y  
201512-01 X/O

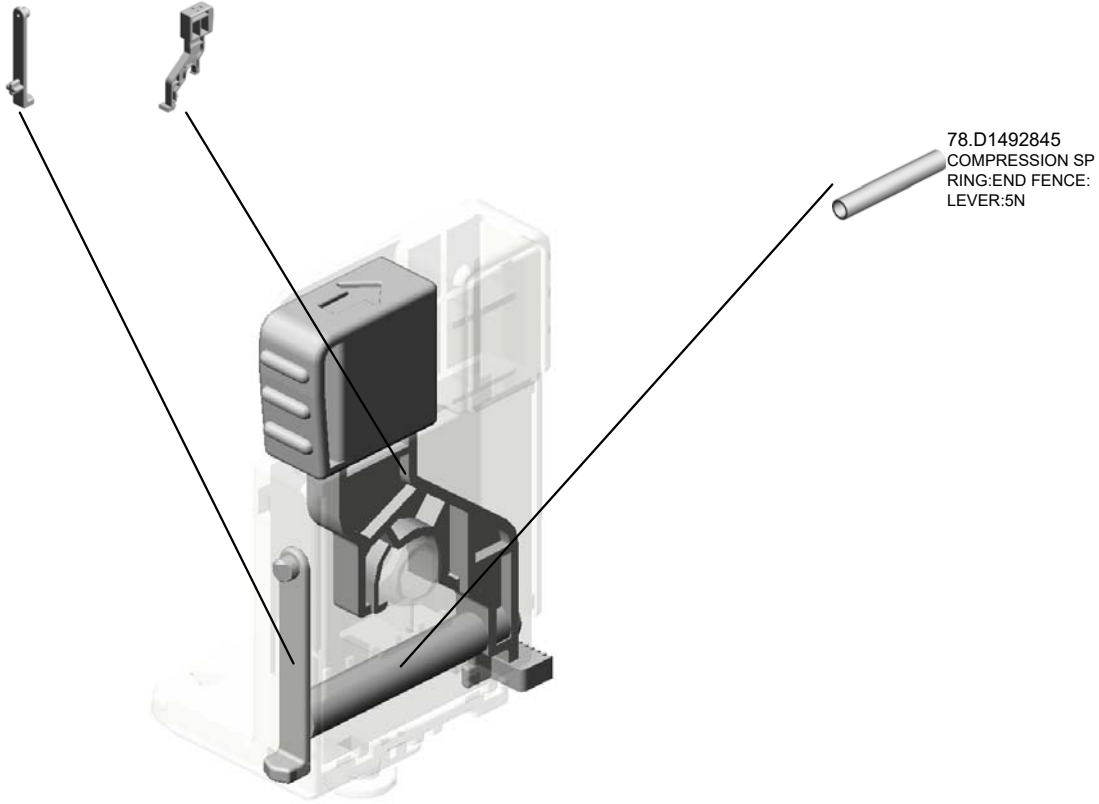
U001	U002	U003	U004	U005	U006	U007	U008	U009	U010	U011	U012	U013	U014	U015	U016	U017
------	------	------	------	------	------	------	------	------	------	------	------	------	------	------	------	------

U005\_S011\_S001  
END FENCE:PAPER TRAY:ASS'Y

77.D1492843    76.D1492842  
CLICK:END FENCE    LEVER:END FENCE



75.D1492840  
END FENCE:PAPE  
R TRAY:ASS'Y

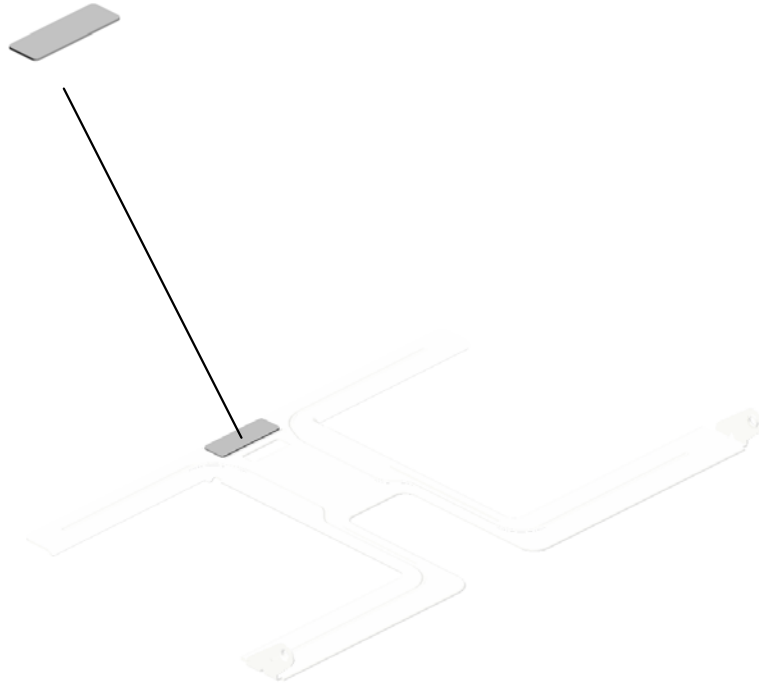


78.D1492845  
COMPRESSION SP  
RING:END FENCE:  
LEVER:5N

U001	U002	U003	U004	<b>U005</b>	U006	U007	U008	U009	U010	U011	U012	U013	U014	U015	U016	U017
------	------	------	------	-------------	------	------	------	------	------	------	------	------	------	------	------	------

U005\_S011\_S002  
TRAY BOTTOM PLATE:NO.2:ASS'Y

25.AF013006  
BOTTOM PLATE P  
AD



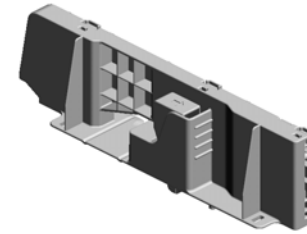
86.D1492873  
TRAY BOTTOM PL  
ATE:NO.2:ASS'Y

U001	U002	U003	U004	U005	U006	U007	U008	U009	U010	U011	U012	U013	U014	U015	U016	U017
------	------	------	------	------	------	------	------	------	------	------	------	------	------	------	------	------

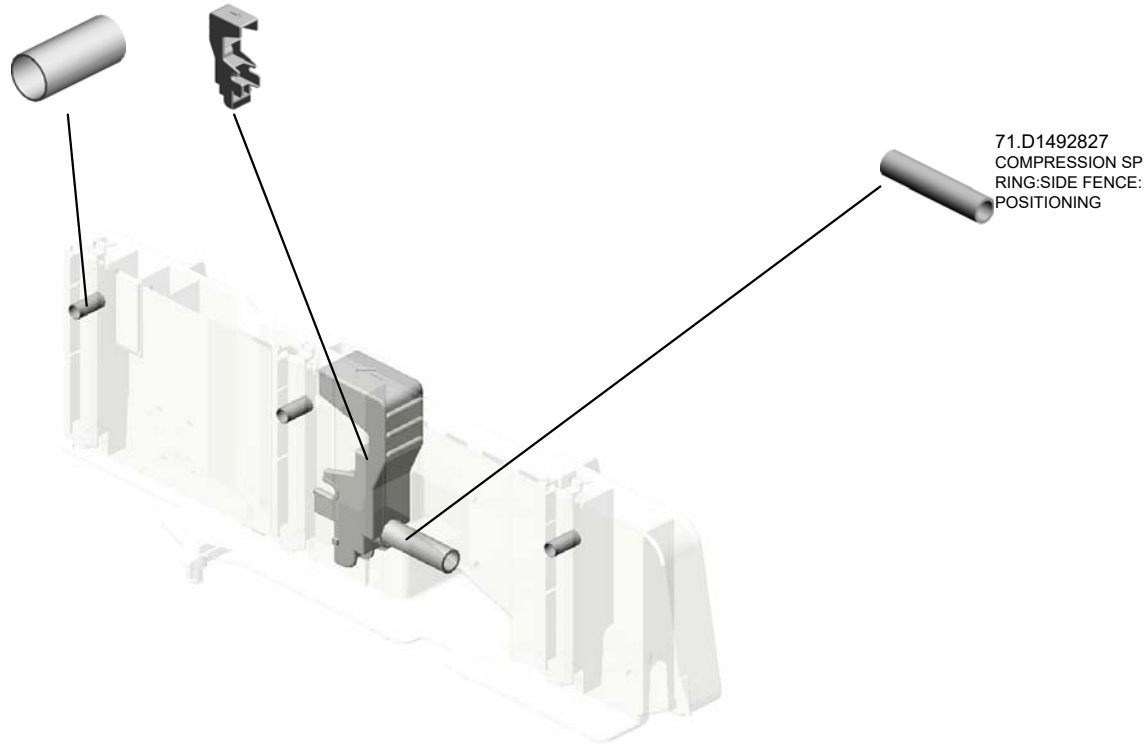
U005\_S011\_S003  
SIDE FENCE:FRONT:ASS'Y

70.D1492826  
(x3)  
COMPRESSION SP  
RING:SIDE FENCE:  
PLATE:FRONT

69.D1492824  
LEVER:STOPPER:  
FRONT



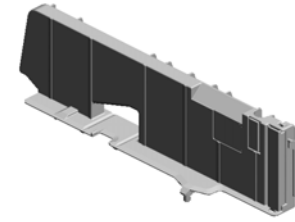
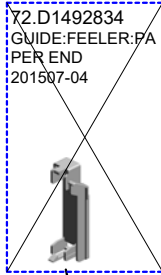
87.D1492878  
SIDE FENCE:FRON  
T:ASS'Y



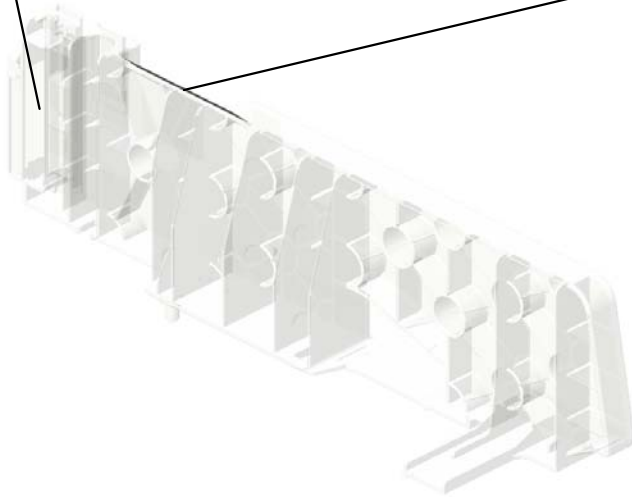
71.D1492827  
COMPRESSION SP  
RING:SIDE FENCE:  
POSITIONING

U001	U002	U003	U004	U005	U006	U007	U008	U009	U010	U011	U012	U013	U014	U015	U016	U017
------	------	------	------	------	------	------	------	------	------	------	------	------	------	------	------	------

U005\_S011\_S004  
SIDE FENCE:REAR:ASS'Y



118.D2022885  
SIDE FENCE:REAR  
:ASS'Y

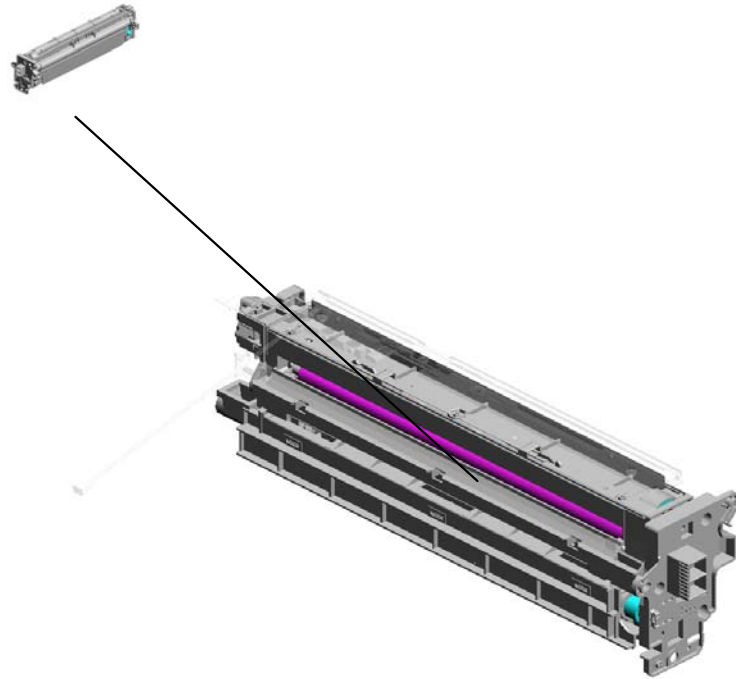


U001	U002	U003	U004	<b>U005</b>	U006	U007	U008	U009	U010	U011	U012	U013	U014	U015	U016	U017
------	------	------	------	-------------	------	------	------	------	------	------	------	------	------	------	------	------



# U006.PCU

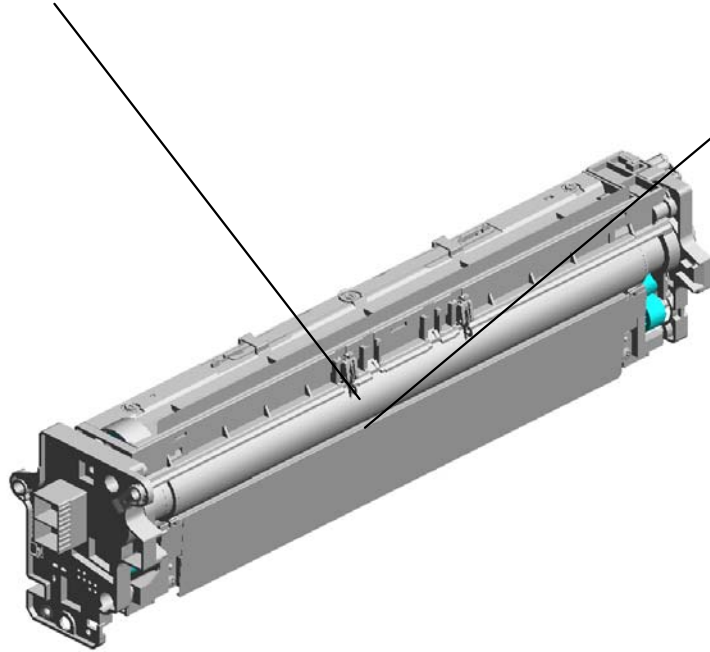
U006 S001  
D2020125  
PROCESSES AROUND PHO  
TOCONDUCTOR:SERVICE P  
ARTS



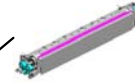
U001	U002	U003	U004	U005	<b>U006</b>	U007	U008	U009	U010	U011	U012	U013	U014	U015	U016	U017
------	------	------	------	------	-------------	------	------	------	------	------	------	------	------	------	------	------

# U006\_S001.PROCESSES AROUND PHOTOCONDUCTOR:SERVICE PARTS

U006\_S001\_S001  
D8692222  
PCU:SERVICE PARTS



U006\_S001\_S002  
D8693021  
DEVELOPMENT UNIT:SERVI  
CE PARTS



U001	U002	U003	U004	U005	<b>U006</b>	U007	U008	U009	U010	U011	U012	U013	U014	U015	U016	U017
------	------	------	------	------	-------------	------	------	------	------	------	------	------	------	------	------	------

# U006\_S001\_S001.PCU:SERVICE PARTS

U006 S001 S001 S001  
M0AN2302  
FRAME:PCU:UPPER:ASS'Y



U001	U002	U003	U004	U005	<b>U006</b>	U007	U008	U009	U010	U011	U012	U013	U014	U015	U016	U017
------	------	------	------	------	-------------	------	------	------	------	------	------	------	------	------	------	------

# U006\_S001\_S002.DEVELOPMENT UNIT:SERVICE PARTS

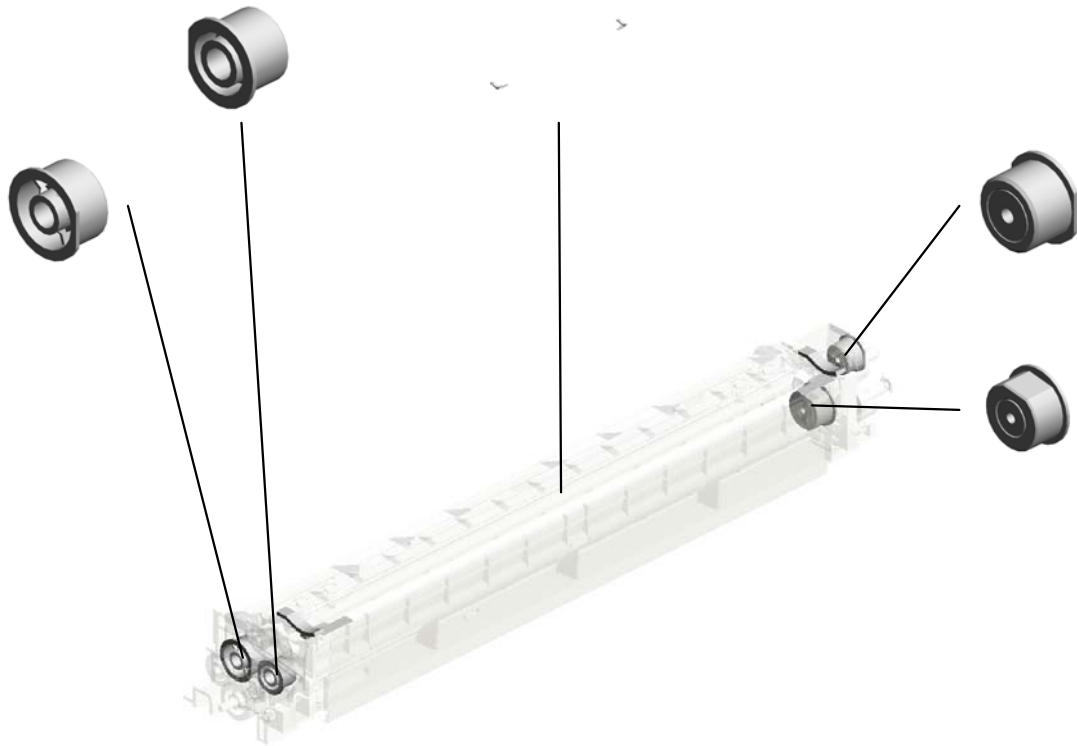
U006 S001 S002 S001  
D2023119  
PLAIN SHAFT BEARING:TRA  
NSPORT SCREW:RIGHT FR  
ONT:ASS'Y

U006 S001 S002 S005  
D2023028  
SEAL:DEVELOPMENT:ASS'Y

U006\_S001\_S002\_S002  
D2023121  
PLAIN SHAFT BEARING:TRA  
NSPORT SCREW:LEFT FRO  
NT:ASS'Y

U006\_S001\_S002\_S004  
D2023125  
PLAIN SHAFT BEARING:TRA  
NSPORT SCREW:LEFT REA  
R:ASS'Y

U006\_S001\_S002\_S003  
D2023123  
PLAIN SHAFT BEARING:TRA  
NSPORT SCREW:RIGHT RE  
AR:ASS'Y



U001	U002	U003	U004	U005	U006	U007	U008	U009	U010	U011	U012	U013	U014	U015	U016	U017
------	------	------	------	------	------	------	------	------	------	------	------	------	------	------	------	------

U006  
PCU

58.D2023260 HOLDER:TERMINAL:DEVELOPMENT VIAS  
 61.D2023264 TERMINAL:DEVELOPMENT BIAS:MAIN  
 60.D2023263 HOLDER:DEVELOPMENT BIAS:MAIN  
 4.04543006Q (x3) TAPPING SCREW - M3X6



19.D0091147 TERMINAL - DEVELOPMENT ROLLER

12.AA063432 (x2) SPRING - INTERMEDIATE DRAWER

59.D2023261 TERMINAL:DEVELOPMENT BIAS:ASSY

41.D2022407 SHEET:OPPOSED:OPTICS SENSOR

39.D2022405 COVER:DISCHARGE LAMP

38.D2022404 FRAME:DISCHARGE LAMP

40.D2022406 SHEET:DISCHARGE LAMP

37.D2022401 DISCHARGE LAMP:PCU:ASSY

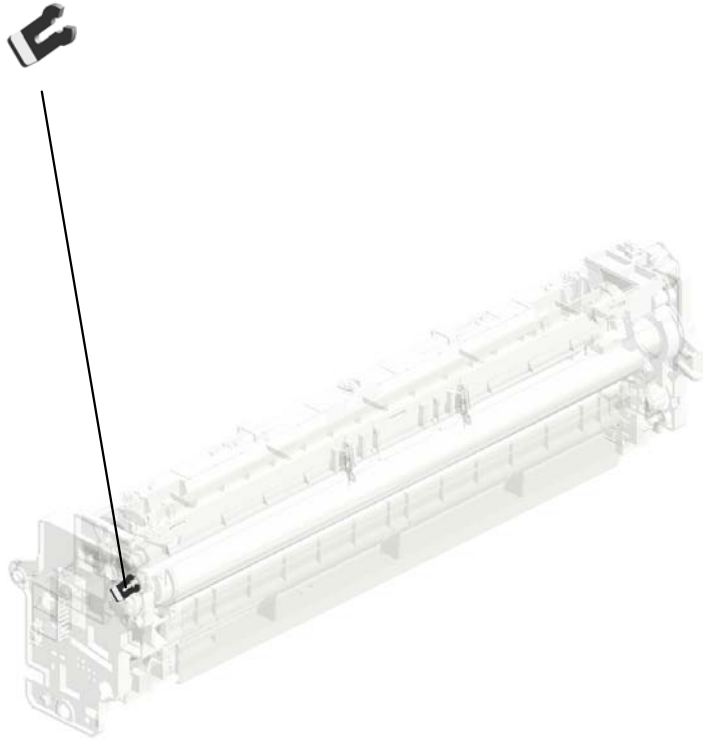
5.04543008Q (x3) TAPPING SCREW: 3X8

36.D2022380 DISCHARGE LAMP:ASSY

U001	U002	U003	U004	U005	<b>U006</b>	U007	U008	U009	U010	U011	U012	U013	U014	U015	U016	U017
------	------	------	------	------	-------------	------	------	------	------	------	------	------	------	------	------	------

# U006\_S001 PROCESSES AROUND PHOTOCONDUCTOR:SERVICE PARTS

18.C1012360  
SNAP RING



71.D2020125  
[A]  
PROCESSES ARO  
UND PHOTOCOND  
UCTOR:SERVICE P  
ARTS  
201609-02 X/O

D2020124  
[A]  
PCDU:SERVICE PA  
RTS  
201609-02 X/O

U001	U002	U003	U004	U005	<b>U006</b>	U007	U008	U009	U010	U011	U012	U013	U014	U015	U016	U017
------	------	------	------	------	-------------	------	------	------	------	------	------	------	------	------	------	------

U006\_S001\_S001  
PCU:SERVICE PARTS

31.D2022335 (x2) PICKOFF PAWL:AS S'Y  
 17.AD042078 BRUSH ROLLER:C LEANER:CHARGE  
 15.AD027034 ROLLER:CHARGE  
 72.AD041161 BLADE:CLEANING: 8799:ASS'Y 201704-01 X/O  
 20.D1979510 OPC DRUM



70.D8692222  
 [A]  
 PCU:SERVICE PARTS  
 201609-03 X/O

24.D2022291  
 HOLDER:CHARGE: FRONT

2.03530080N  
 (x4)  
 SCREW:M3X8

22.D2022261  
 DRUM STAY:FRONT:ASS'Y

11.11050758  
 CLAMP:LWSM-030 6A

1.03530060N  
 (x2)  
 BIND SCREW - M3 X6

14.AA063962  
 (x2)  
 COMPRESSION SPRING:CLEANER:CHARGE

67.GA080030  
 (x2)  
 PLAIN SHAFT BEARING:CLEANER:ROLLER

6.04583008N  
 HEXAGON HEAD TAPPING SCREW:3 X8

42.D2022431  
 COVER:PCU:REAR:SUB-ASS'Y

13.AA063961  
 (x2)  
 COMPRESSION SPRING:ROLLER:CHARGE

25.D2022292  
 HOLDER:CHARGE: REAR

23.D2022271  
 DRUM STAY:REAR:ASS'Y

D8692221  
 [A]  
 PCU:SERVICE PARTS  
 201609-03 X/O

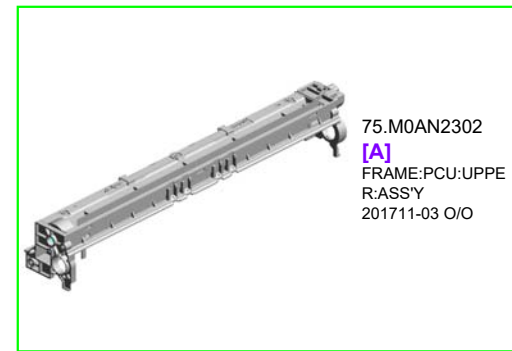
U001	U002	U003	U004	U005	U006	U007	U008	U009	U010	U011	U012	U013	U014	U015	U016	U017
------	------	------	------	------	------	------	------	------	------	------	------	------	------	------	------	------

U006\_S001\_S001\_S001  
 FRAME:PCU:UPPER:ASS'Y

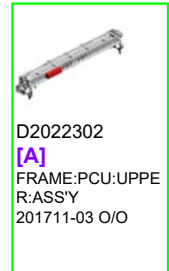
34.D2022356  
 GRIP:PCU

33.D2022351  
 COVER:PCU:UPPE  
 R:ASS'Y

73.AD043098  
 TRANSPORT SCR  
 EW:DISCHARGE U  
 SED TONER



75.M0AN2302  
 [A]  
 FRAME:PCU:UPPE  
 R:ASS'Y  
 201711-03 O/O

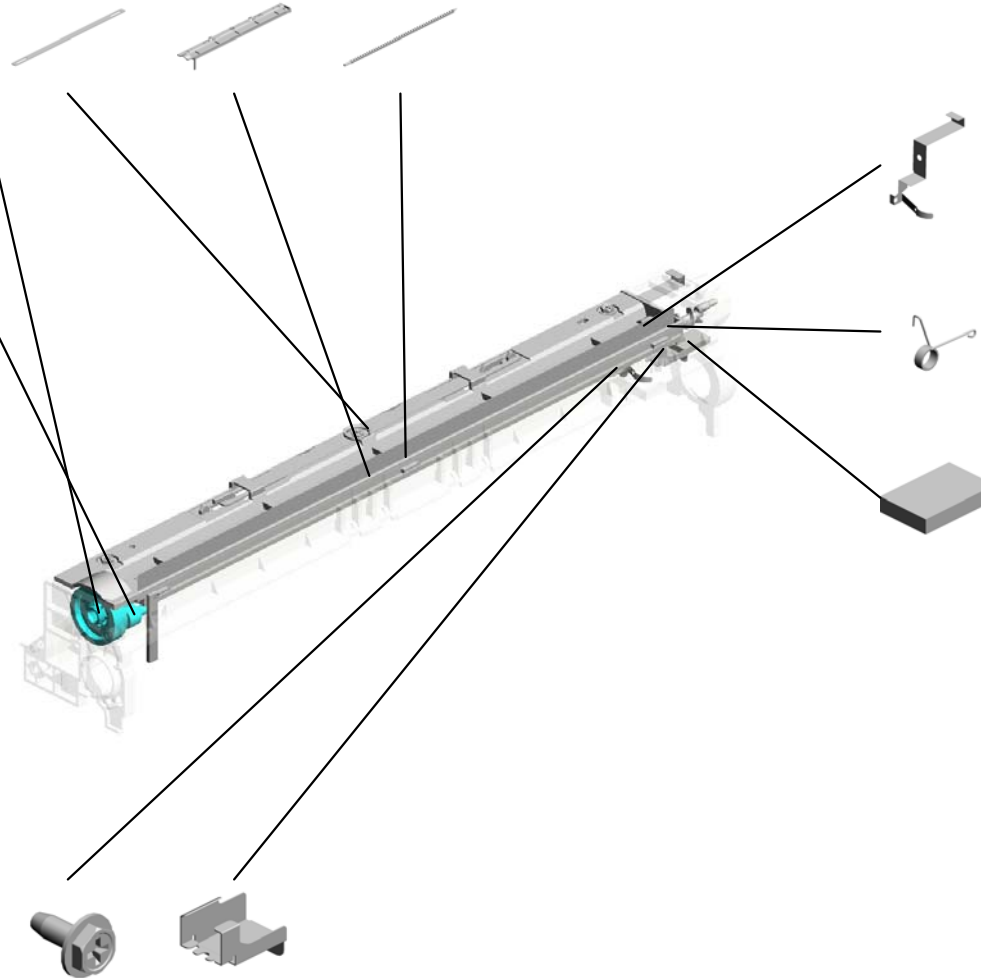
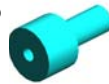


D2022302  
 [A]  
 FRAME:PCU:UPPE  
 R:ASS'Y  
 201711-03 O/O

35.D2022375  
 GEAR:TRANSPOR  
 T SCREW:DISCHA  
 RGE USED TONER



27.D2022327  
 GEAR:COLLECTIO  
 N COIL



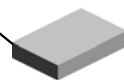
32.D2022340  
 ELECTRODE PLAT  
 E:CHARGE



29.D2022332  
 TORSION SPRING:  
 SHUTTER:PCU:0.6-  
 1.3N



30.D2022333  
 SEAL:SHUTTER



6.04583008N  
 (x4)  
 HEXAGON HEAD T  
 APPING SCREW:3  
 X8



28.D2022331  
 SHUTTER:DISCHA  
 RGE USED TONER



U001	U002	U003	U004	U005	U006	U007	U008	U009	U010	U011	U012	U013	U014	U015	U016	U017
------	------	------	------	------	------	------	------	------	------	------	------	------	------	------	------	------



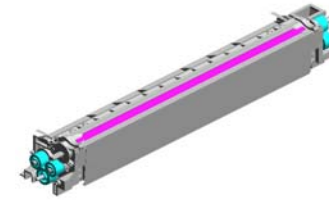
DEVELOPMENT UNIT:SERVICE PARTS

3.03603008N  
(x4)  
SCREW:M3X8

68.AW230100  
PCB:MYU:SENSOR

54.D2023152  
(x3)  
FILTER:DEVELOPMENT

63.D2023292  
TRANSPORT SCR  
EW:DEVELOPMENT  
T:LEFT



66.D8693021  
DEVELOPMENT UNIT:SERVICE PARTS

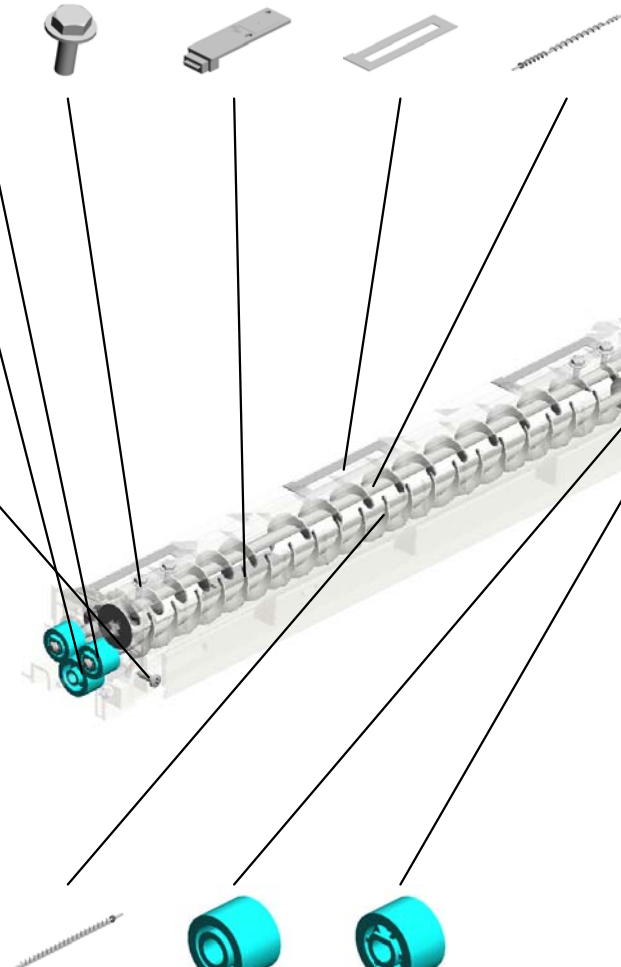
51.D2023143  
(x2)  
GEAR:TRANSPORT SCREW:FRONT



53.D2023146  
GEAR:TRANSPORT SCREW:IDLER



7.04593008N  
(x2)  
BINDING HEAD TAPPING SCREW:3X8



62.D2023290  
TRANSPORT SCREW:DEVELOPMENT:RIGHT

50.D2023141  
GEAR:TRANSPORT SCREW:REAR

52.D2023145  
GEAR:DEVELOPMENT ROLLER:IDLER

9.07200040E  
(x3)  
RETAINING RING - M4



8.06320100G  
PIN - 2X10MM



21.D1979640  
DEVELOPER BLACK

9.07200040E (x 2)  
RETAINING RING - M4

49.D2023140  
GEAR:DEVELOPMENT ROLLER

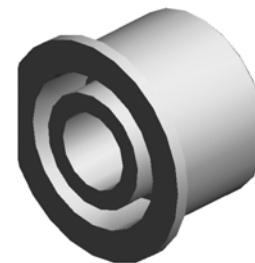


10.08050092  
RETAINING RING - 3M

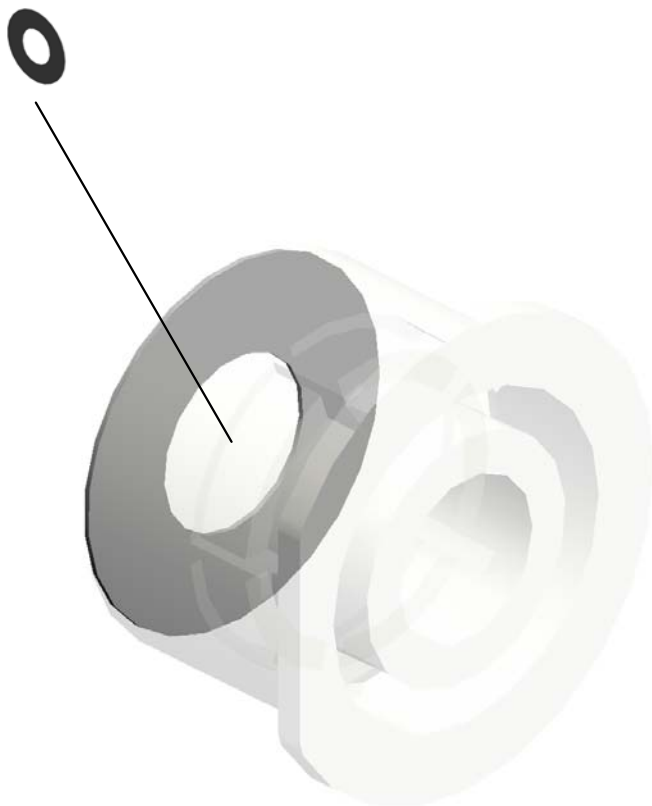


U006\_S001\_S002\_S001  
PLAIN SHAFT BEARING:TRANSPORT SCREW:RIGHT FRONT:ASS'Y

48.D2023128  
SHEET:PLAIN SHA  
FT BEARING:TRAN  
SPORT SCREW



44.D2023119  
PLAIN SHAFT BEA  
RING:TRANSPORT  
SCREW:RIGHT FR  
ONT:ASS'Y

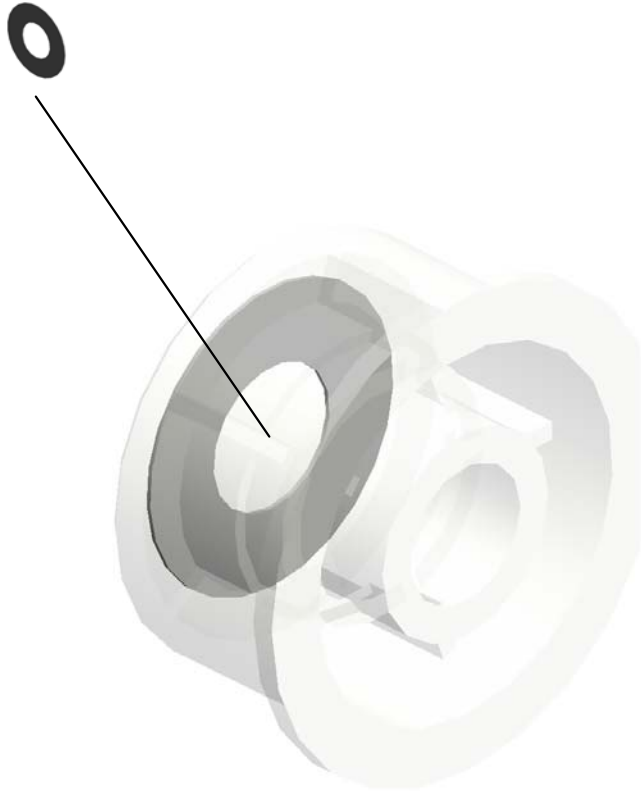


U001	U002	U003	U004	U005	<b>U006</b>	U007	U008	U009	U010	U011	U012	U013	U014	U015	U016	U017
------	------	------	------	------	-------------	------	------	------	------	------	------	------	------	------	------	------

U006\_S001\_S002\_S002

PLAIN SHAFT BEARING:TRANSPORT SCREW:LEFT FRONT:ASS'Y

48.D2023128  
SHEET:PLAIN SHA  
FT BEARING:TRAN  
SPORT SCREW



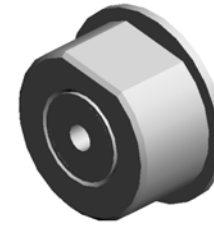
45.D2023121  
PLAIN SHAFT BEA  
RING:TRANSPORT  
SCREW:LEFT FRO  
NT:ASS'Y

U001	U002	U003	U004	U005	<b>U006</b>	U007	U008	U009	U010	U011	U012	U013	U014	U015	U016	U017
------	------	------	------	------	-------------	------	------	------	------	------	------	------	------	------	------	------

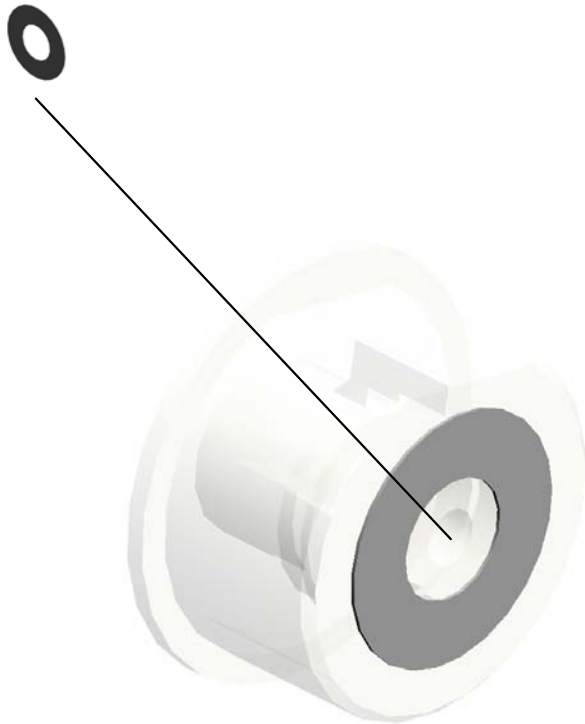
U006\_S001\_S002\_S003

PLAIN SHAFT BEARING:TRANSPORT SCREW:RIGHT REAR:ASS'Y

48.D2023128  
SHEET:PLAIN SHA  
FT BEARING:TRAN  
SPORT SCREW



46.D2023123  
PLAIN SHAFT BEA  
RING:TRANSPORT  
SCREW:RIGHT RE  
AR:ASS'Y



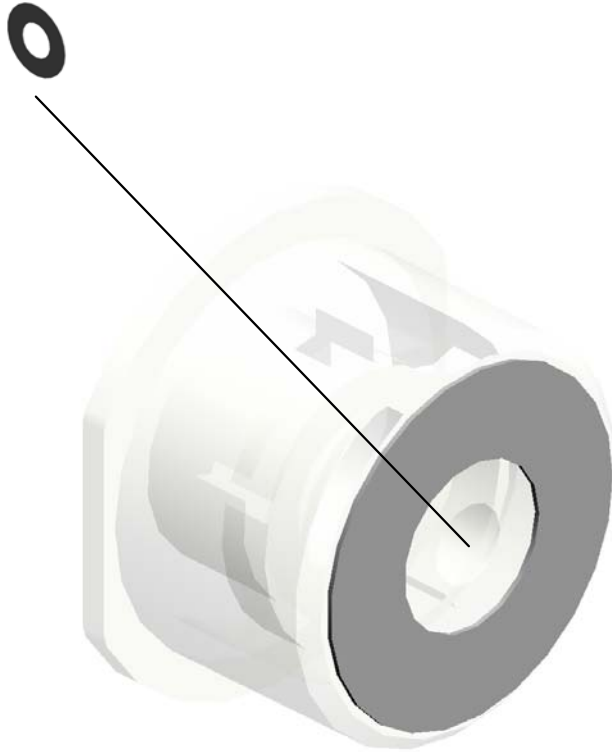
U001	U002	U003	U004	U005	<b>U006</b>	U007	U008	U009	U010	U011	U012	U013	U014	U015	U016	U017
------	------	------	------	------	-------------	------	------	------	------	------	------	------	------	------	------	------

U006\_S001\_S002\_S004  
PLAIN SHAFT BEARING:TRANSPORT SCREW:LEFT REAR:ASS'Y

48.D2023128  
SHEET:PLAIN SHA  
FT BEARING:TRAN  
SPORT SCREW



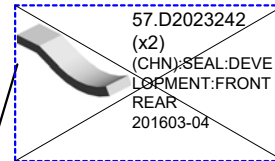
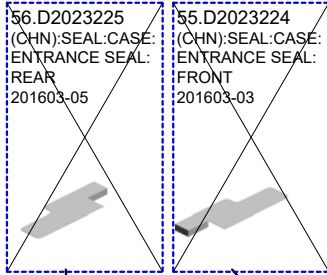
47.D2023125  
PLAIN SHAFT BEA  
RING:TRANSPORT  
SCREW:LEFT REA  
R:ASS'Y



U001	U002	U003	U004	U005	<b>U006</b>	U007	U008	U009	U010	U011	U012	U013	U014	U015	U016	U017
------	------	------	------	------	-------------	------	------	------	------	------	------	------	------	------	------	------

U006\_S001\_S002\_S005  
SEAL:DEVELOPMENT:ASS'Y

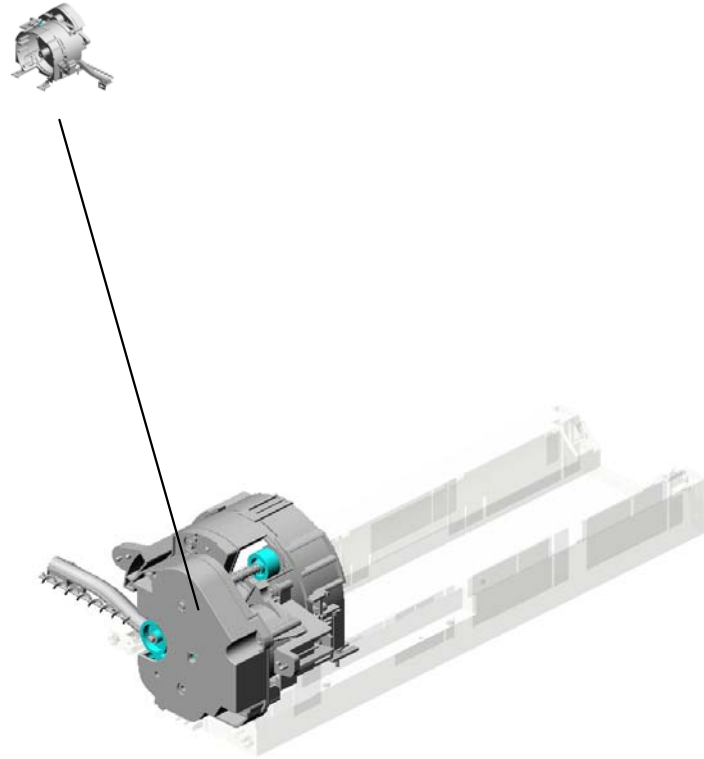
43.D2023028  
SEAL:DEVELOPME  
NT:ASS'Y



U001	U002	U003	U004	U005	<b>U006</b>	U007	U008	U009	U010	U011	U012	U013	U014	U015	U016	U017
------	------	------	------	------	-------------	------	------	------	------	------	------	------	------	------	------	------

# U007.DEVELOPMENT

U007 S001  
D2023051  
TONER SUPPLY SUB-UNIT:A  
SS'Y

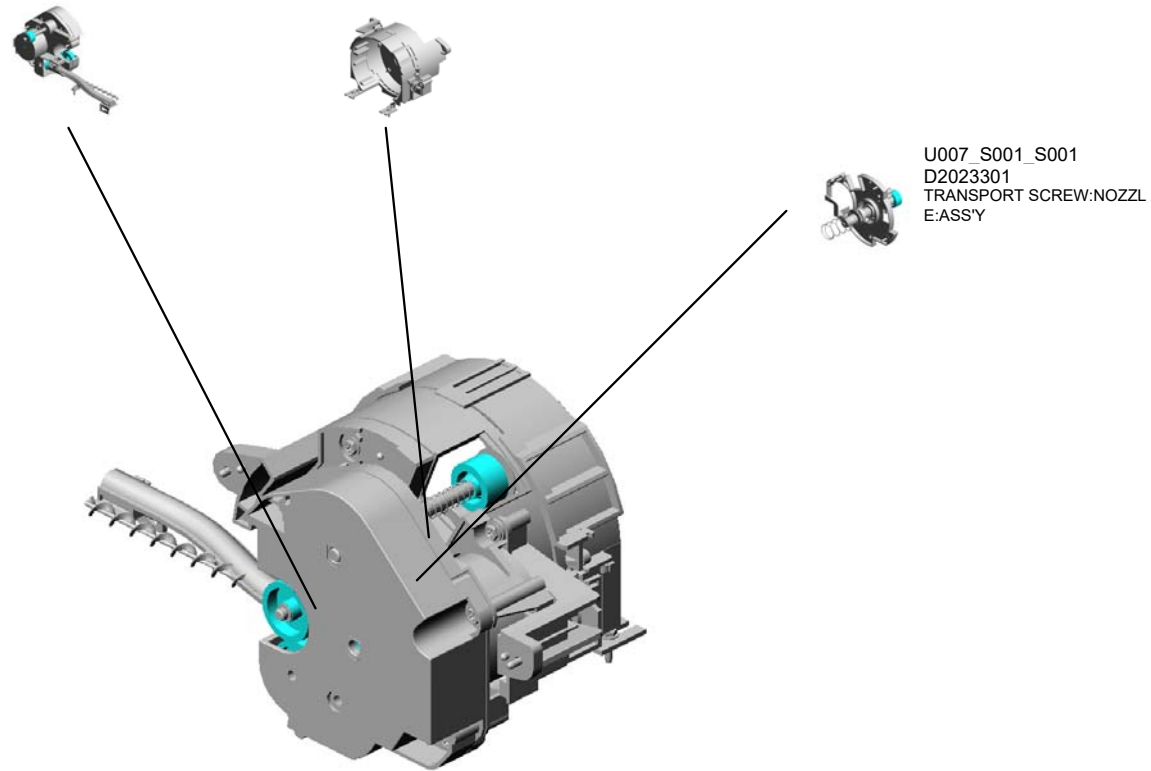


U001	U002	U003	U004	U005	U006	U007	U008	U009	U010	U011	U012	U013	U014	U015	U016	U017
------	------	------	------	------	------	------	------	------	------	------	------	------	------	------	------	------

# U007\_S001.TONER SUPPLY SUB-UNIT:ASS'Y

U007 S001 S002  
D2023303  
DRIVE UNIT:TONER SUPPLY  
:ASS'Y

U007 S001 S003  
D2023304  
HOUSING:TONER SUPPLY:A  
SS'Y



U001	U002	U003	U004	U005	U006	U007	U008	U009	U010	U011	U012	U013	U014	U015	U016	U017
------	------	------	------	------	------	------	------	------	------	------	------	------	------	------	------	------



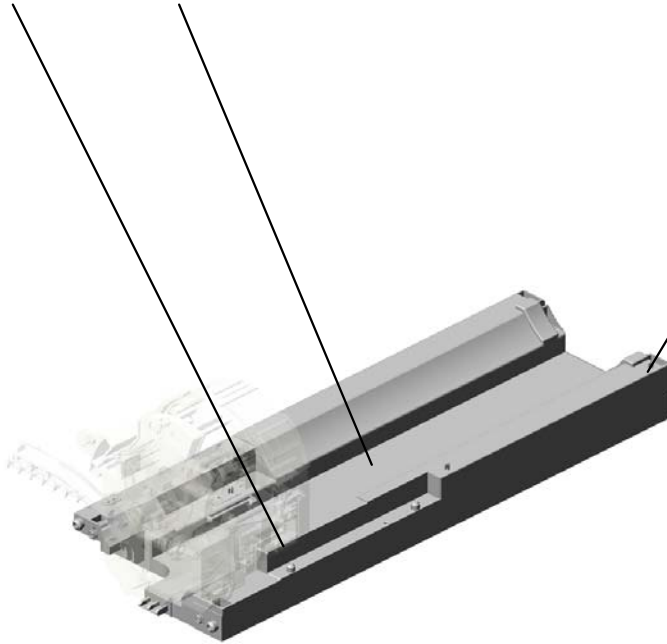
U007  
DEVELOPMENT

13.D2023376  
(x2)  
SEAL:BASE:SLIDE  
RAIL:LOWER

12.D2023372  
BASE:TONER CAR  
TRIDGE

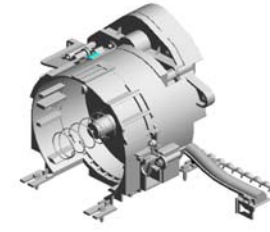


3.04583008N  
(x4)  
HEXAGON HEAD T  
APPING SCREW:3  
X8



U001	U002	U003	U004	U005	U006	U007	U008	U009	U010	U011	U012	U013	U014	U015	U016	U017
------	------	------	------	------	------	------	------	------	------	------	------	------	------	------	------	------

U007\_S001  
TONER SUPPLY SUB-UNIT:ASS'Y

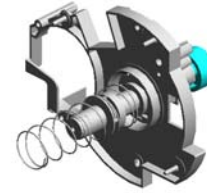


14.D2023051  
TONER SUPPLY S  
UB-UNIT:ASS'Y

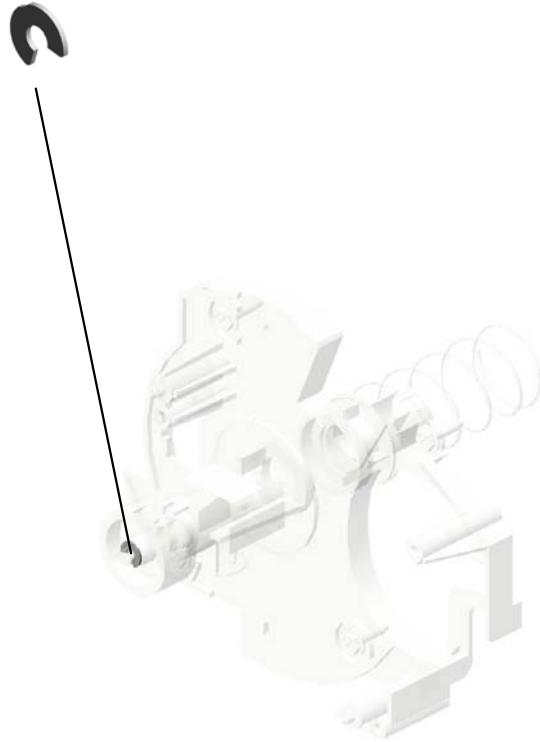
U001	U002	U003	U004	U005	U006	U007	U008	U009	U010	U011	U012	U013	U014	U015	U016	U017
------	------	------	------	------	------	------	------	------	------	------	------	------	------	------	------	------

U007\_S001\_S001  
TRANSPORT SCREW:NOZZLE:ASS'Y

6.08050103  
RETAINING RINGS  
-E:SILENCER:DIA3



9.D2023301  
TRANSPORT SCR  
EW:NOZZLE:ASS'Y

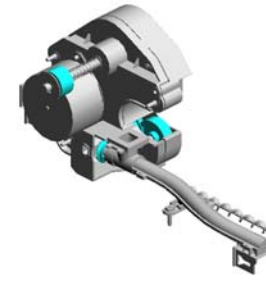


U001	U002	U003	U004	U005	U006	U007	U008	U009	U010	U011	U012	U013	U014	U015	U016	U017
------	------	------	------	------	------	------	------	------	------	------	------	------	------	------	------	------

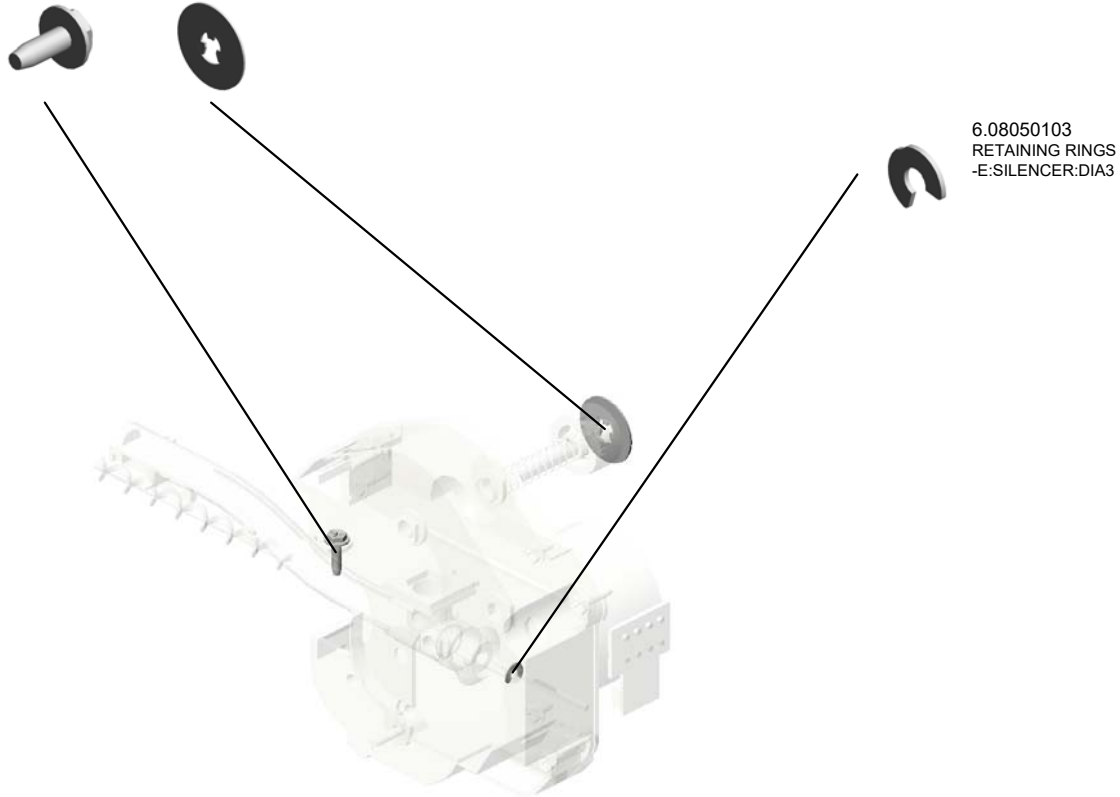
U007\_S001\_S002

DRIVE UNIT:TONER SUPPLY:ASS'Y

4.04583010N    5.07200040E  
HEXAGON HEAD TAPPING SCREW:3 X10    RETAINING RING - M4



10.D2023303  
DRIVE UNIT:TONER SUPPLY:ASS'Y



U001	U002	U003	U004	U005	U006	U007	U008	U009	U010	U011	U012	U013	U014	U015	U016	U017
------	------	------	------	------	------	------	------	------	------	------	------	------	------	------	------	------

U007\_S001\_S003  
HOUSING:TONER SUPPLY:ASS'Y

2.04543008Q (x2)  
TAPPING SCREW:  
3X8

4.04583010N (x2)  
HEXAGON HEAD T  
APPING SCREW:3  
X10

8.AW500040  
PUSH SWITCH:SW  
1AG-550:10MA



11.D2023304  
HOUSING:TONER  
SUPPLY:ASS'Y

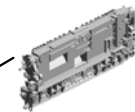
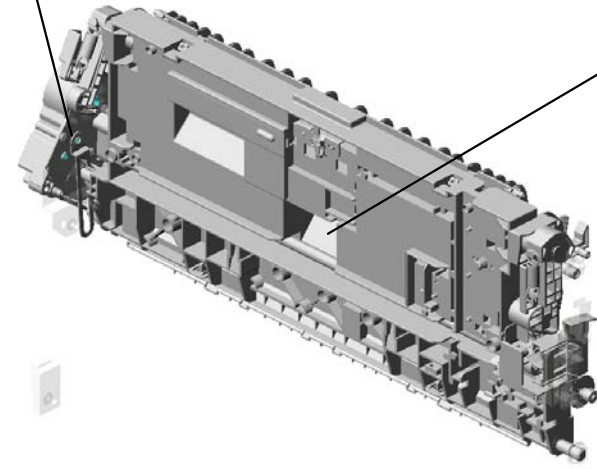


7.11050758  
CLAMP:LWSM-030  
6A

U001	U002	U003	U004	U005	U006	U007	U008	U009	U010	U011	U012	U013	U014	U015	U016	U017
------	------	------	------	------	------	------	------	------	------	------	------	------	------	------	------	------

# U008.TRANSFER/SEPARATION

U008\_S001  
D1491199  
DRIVE UNIT:ON-OFF:TRANS  
FER



U008\_S002  
D2026210  
TRANSFER/SEPARATION UN  
IT:ASS'Y



U001	U002	U003	U004	U005	U006	U007	<b>U008</b>	U009	U010	U011	U012	U013	U014	U015	U016	U017
------	------	------	------	------	------	------	-------------	------	------	------	------	------	------	------	------	------

# U008 TRANSFER/SEPARATION

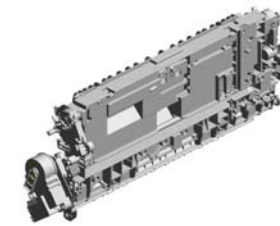
37.D1496290  
GUIDE:SET:TRANS  
FER/SEPARATION  
UNIT:FRONT

19.AA080346  
BUSHING:FLANGE  
TYPE:DIA6

68.D2026352  
SHAFT:ON-OFF:DR  
IVE

3.04513016N  
(x2)  
TAPPING SCREW -  
3X16

67.D2026351  
CAM:ON-OFF:TRA  
NSFER



11.07200040E (x 1)  
RETAINING RING - M4

13.08050089  
RETAINING RING -  
M4

66.D2026350  
BRACKET:DRIVE U  
NIT

7.04543006Q  
(x3)  
TAPPING SCREW -  
M3X6

25.AW140026  
TEMPERATURE &  
HUMIDITY SENSO  
R

8.04583008N  
HEXAGON HEAD T  
APPING SCREW:3  
X8

15.52152621  
SNAP RING - M6

20.AA082144  
BUSHING - 8X12X7

71.D2026291  
GUIDE:SET:TRANS  
FER/SEPARATION  
UNIT:REAR

24.AW020203  
PHOTOINTERRUPT  
OR:GP1A173LCS  
2F

6.04543006N  
(x3)  
TAPPING SCREW:  
ROUND POINT:3X6

44.D2023952  
(x2)  
TERMINAL:RECEP  
TACLE:MAIN:TRAN  
SFER

43.D2023951  
HOUSING:MAIN:TR  
ANSFER

U001	U002	U003	U004	U005	U006	U007	U008	U009	U010	U011	U012	U013	U014	U015	U016	U017
------	------	------	------	------	------	------	------	------	------	------	------	------	------	------	------	------

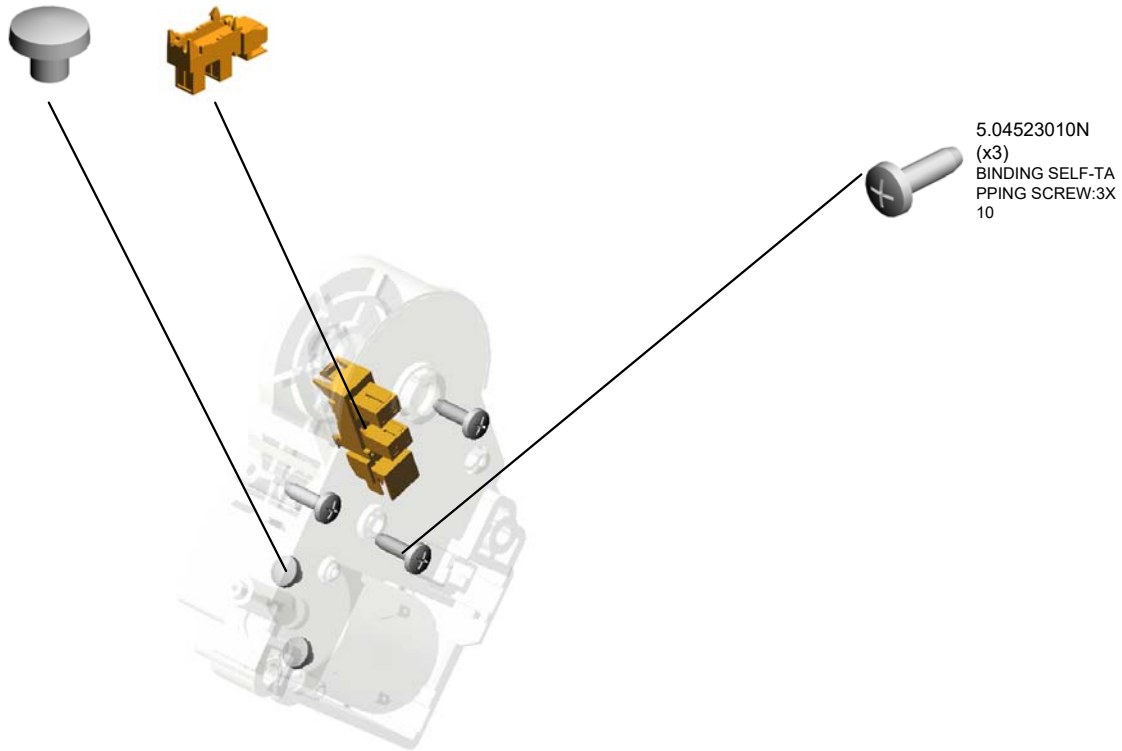
U008\_S001  
DRIVE UNIT:ON-OFF:TRANSFER

1.03530030N  
(x2)  
SCREW:M3X3

23.AW020198  
PHOTOINTERRUP  
TOR:LG2A14NL1



26.D1491199  
DRIVE UNIT:ON-OF  
F:TRANSFER



5.04523010N  
(x3)  
BINDING SELF-TA  
PPING SCREW:3X  
10

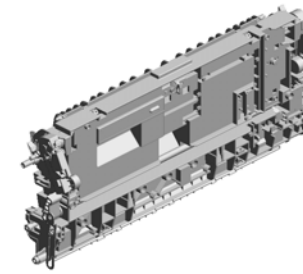
U001	U002	U003	U004	U005	U006	U007	U008	U009	U010	U011	U012	U013	U014	U015	U016	U017
------	------	------	------	------	------	------	------	------	------	------	------	------	------	------	------	------



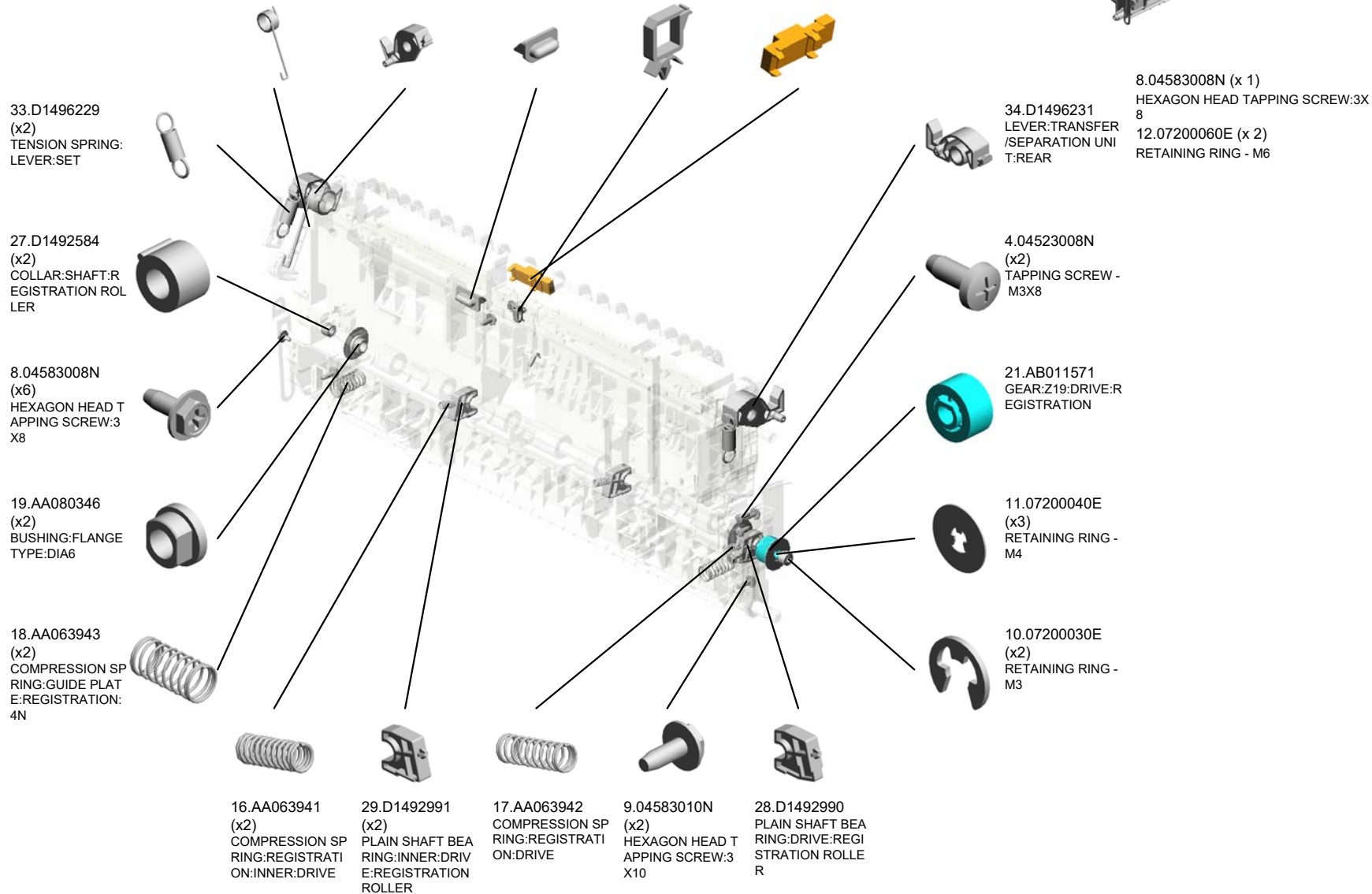
U008\_S002

TRANSFER/SEPARATION UNIT:ASS'Y

- 32.D1496228 TORSION SPRING: LEVER:SET:FRONT
- 31.D1496226 LEVER:TRANSFER /SEPARATION UNIT:FRONT
- 30.D1494662 DIFFUSION PLATE: LED
- 14.11050758 CLAMP:LWSM-030 6A
- 22.AW010200 PAPER FEED SENSOR:FUSING EXIT



70.D2026210  
TRANSFER/SEPARATION UNIT:ASS'Y



U001	U002	U003	U004	U005	U006	U007	U008	U009	U010	U011	U012	U013	U014	U015	U016	U017
------	------	------	------	------	------	------	------	------	------	------	------	------	------	------	------	------

U008\_S002

TRANSFER/SEPARATION UNIT:ASS'Y

42.D2023890  
LED:RED

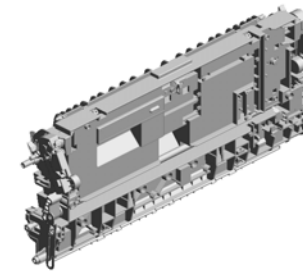
36.D1496248  
CAP:LED

57.D2026271  
GUIDE:TRANSPOR  
T:TRANSFER

41.D2023885  
DENSITY SENSOR:  
AROUND THE PHO  
TOCONDUCTOR

**48.D2026211**  
**TRANSFER ROLLE**  
**R:ASS'Y**

70.D2026210  
TRANSFER/SEPAR  
ATION UNIT:ASS'Y



50.D2026260  
LEVER:PRESSURE  
:TRANSFER ROLL  
ER:FRONT

49.D2026255  
DECAL:GRIP:B

55.D2026268  
LEVER:ON-OFF:TR  
ANSFER ROLLER:  
FRONT

53.D2026265  
(x2)  
LEVER:PRESSURE  
:GUIDE PLATE

52.D2026264  
(x2)  
COMPRESSION SP  
RING:PRESSURE:T  
RANSFER ROLLER

54.D2026267  
SHAFT:LEVER:ON-  
OFF

38.D2022581  
GUIDE PLATE:REG  
ISTRATION:DRIVE:  
ASS'Y

39.D2022587  
REGISTRATION R  
OLLER:DRIVE

47.D2023962  
ELECTRODE PLAT  
E:TRANSFER

40.D2022992  
(x2)  
BRACKET:STOPPE  
R:REGISTRATION

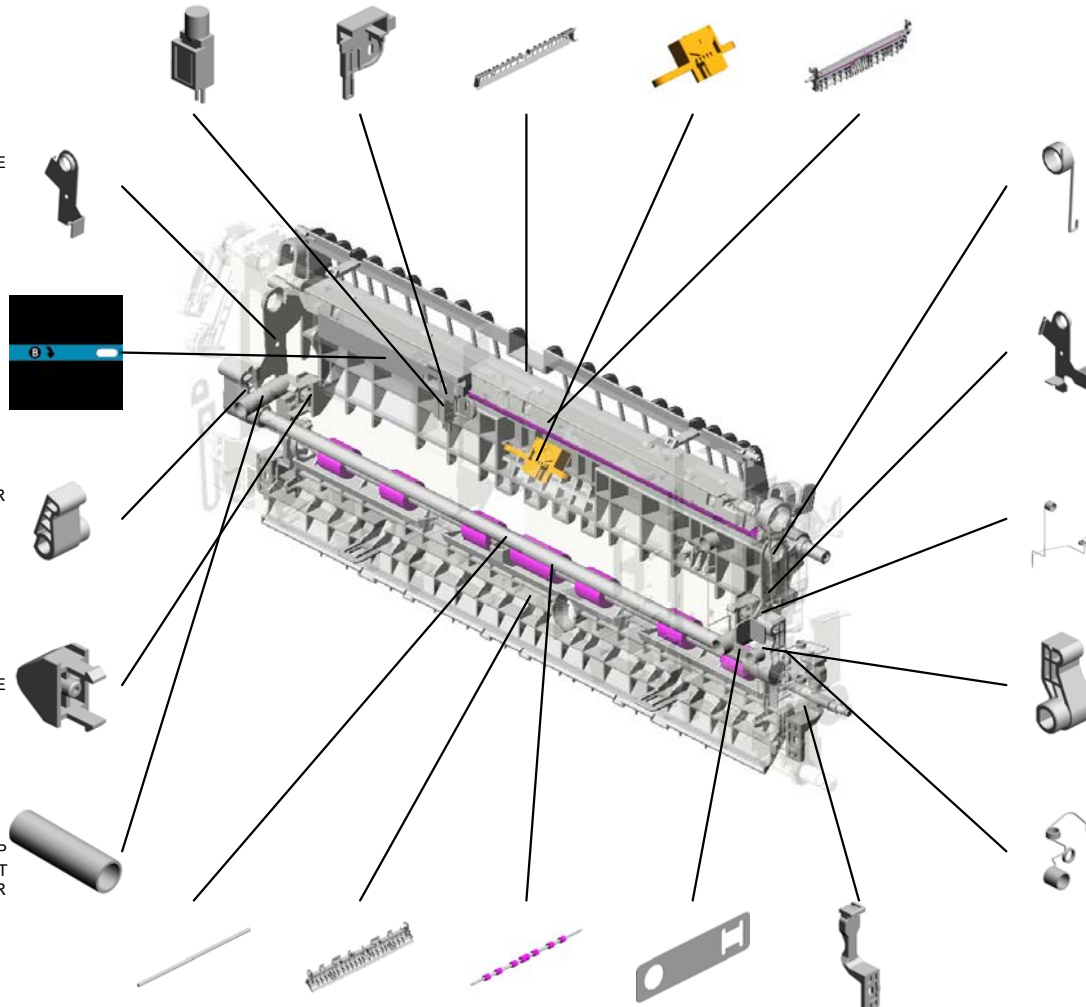
35.D1496233  
TORSION SPRING:  
LEVER:SET:REAR

51.D2026261  
LEVER:PRESSURE  
:TRANSFER ROLL  
ER:REAR

45.D2023960  
CONNECTING SPR  
ING:SEPARATION

56.D2026269  
LEVER:ON-OFF:TR  
ANSFER ROLLER:  
REAR

46.D2023961  
CONNECTING SPR  
ING:TRANSFER



U001	U002	U003	U004	U005	U006	U007	U008	U009	U010	U011	U012	U013	U014	U015	U016	U017
------	------	------	------	------	------	------	------	------	------	------	------	------	------	------	------	------

U008\_S002

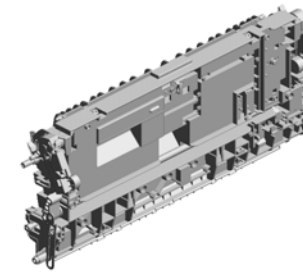
TRANSFER/SEPARATION UNIT:ASS'Y

59.D2026273 (x4)  
COMPRESSION SPRING:TRANSPORT SUB-UNIT

69.D2026220  
FRAME:TRANSFER/SEPARATION UNIT:ASS'Y

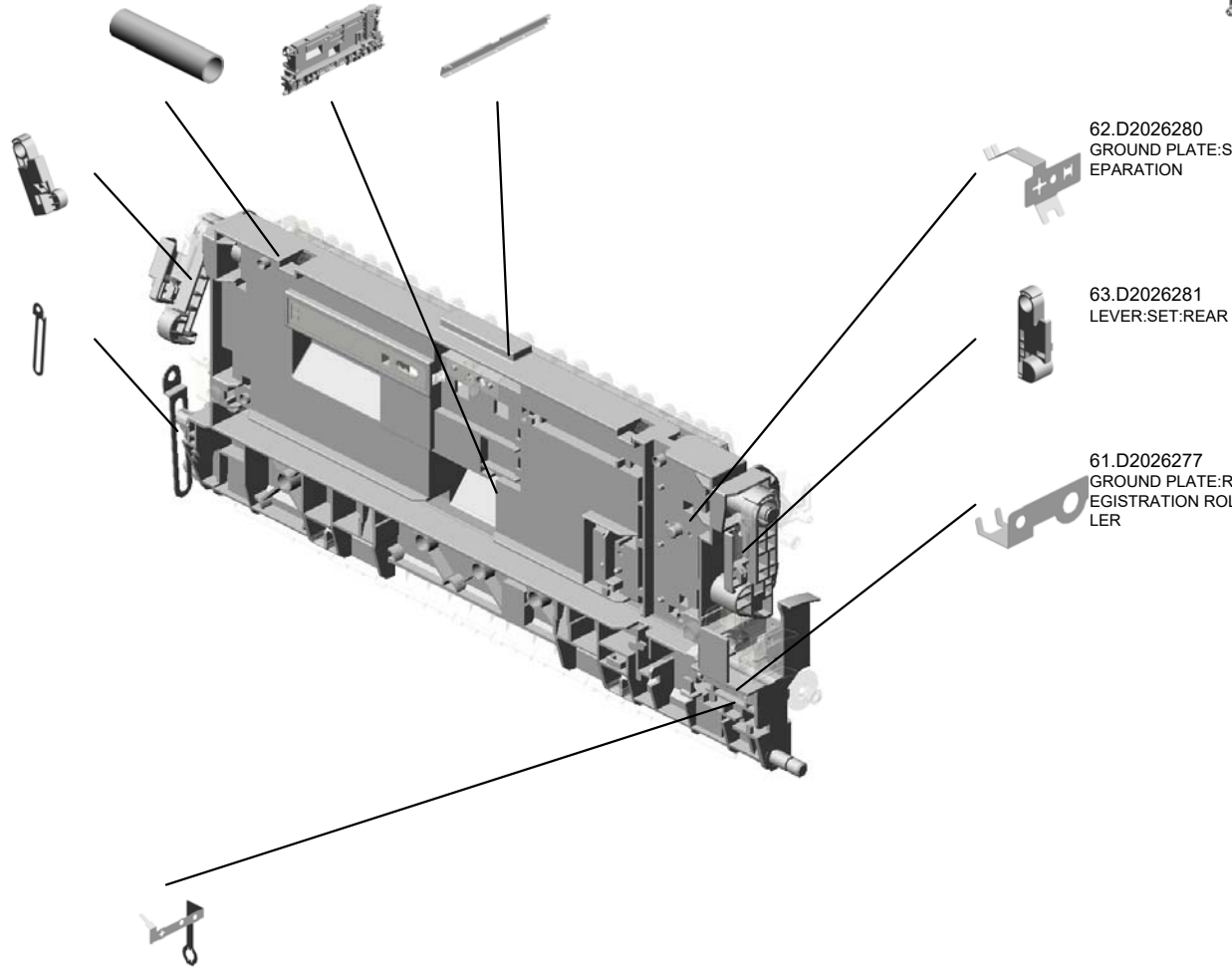
58.D2026272  
BASE:GUIDE:TRANSFER

70.D2026210  
TRANSFER/SEPARATION UNIT:ASS'Y



64.D2026285  
LEVER:SET:FRONT

65.D2026346  
LINK:TRANSFER/SEPARATION UNIT



62.D2026280  
GROUND PLATE:SEPARATION

63.D2026281  
LEVER:SET:REAR

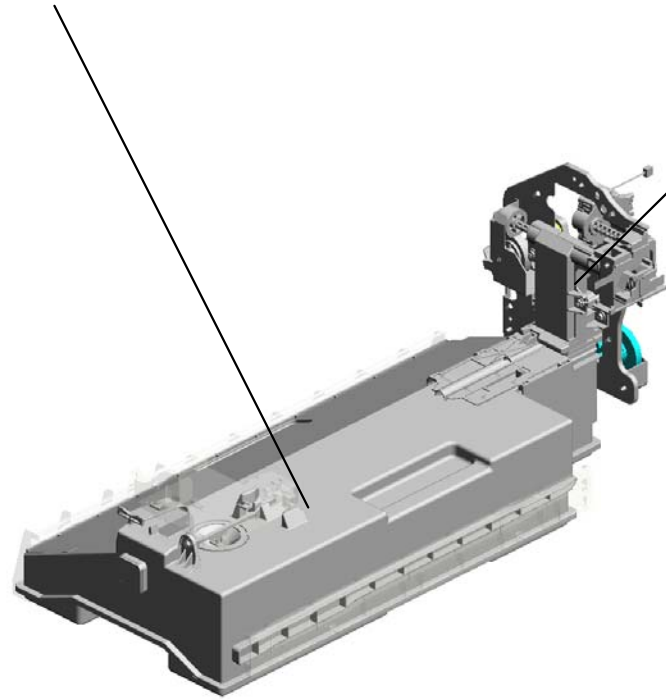
61.D2026277  
GROUND PLATE:REGISTRATION ROLLER

60.D2026276  
GROUND PLATE:TRANSFER/SEPARATION UNIT

U001	U002	U003	U004	U005	U006	U007	<b>U008</b>	U009	U010	U011	U012	U013	U014	U015	U016	U017
------	------	------	------	------	------	------	-------------	------	------	------	------	------	------	------	------	------

# U009.USED TONER

U009\_S001  
D2026410  
COLLECTION BOTTLE:ASS'Y



U009\_S002  
D2026511  
BRACKET:TONER RECYCLIN  
G SECTION:MAIN ASS'Y:ASS'  
Y



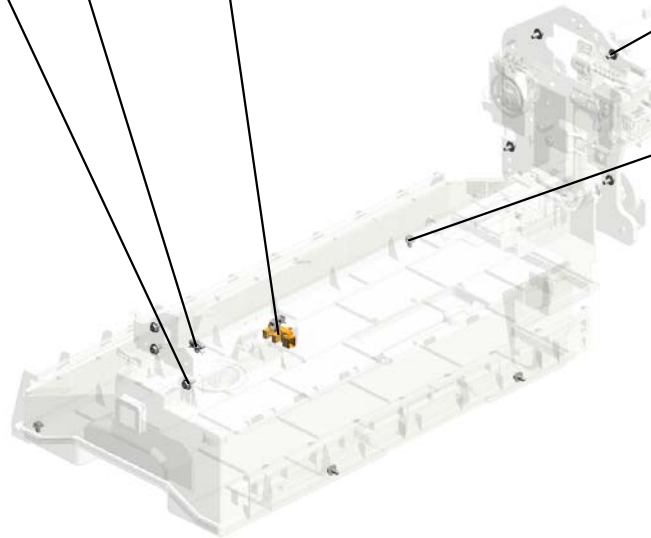
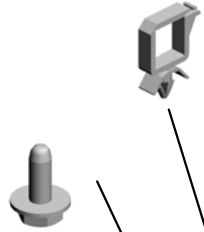
U001	U002	U003	U004	U005	U006	U007	U008	U009	U010	U011	U012	U013	U014	U015	U016	U017
------	------	------	------	------	------	------	------	------	------	------	------	------	------	------	------	------

# U009 USED TONER

8.11050758  
(x2)  
CLAMP:LWSM-030  
6A

13.AW020198  
PHOTOINTERRUP  
TOR:LG2A14NL1

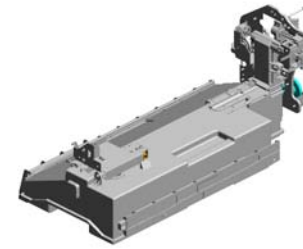
3.04543008Q  
TAPPING SCREW:  
3X8



1.04513006N  
(x6)  
TAPPING SCREW -  
3X6



2.04543006Q  
(x4)  
TAPPING SCREW -  
M3X6



U001	U002	U003	U004	U005	U006	U007	U008	U009	U010	U011	U012	U013	U014	U015	U016	U017
------	------	------	------	------	------	------	------	------	------	------	------	------	------	------	------	------

U009\_S001  
COLLECTION BOTTLE:ASS'Y

9.AA080346  
(x2)  
BUSHING:FLANGE  
TYPE:DIA6



5.08050089  
(x3)  
RETAINING RING -  
M4

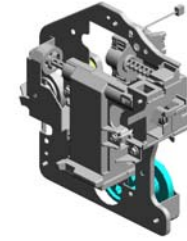


17.D2026410  
COLLECTION BOT  
TLE:ASS'Y

U001	U002	U003	U004	U005	U006	U007	U008	U009	U010	U011	U012	U013	U014	U015	U016	U017
------	------	------	------	------	------	------	------	------	------	------	------	------	------	------	------	------

U009\_S002

BRACKET:TONER RECYCLING SECTION:MAIN ASS'Y:ASS'Y



18.D2026511  
BRACKET:TONER  
RECYCLING SECTI  
ON:MAIN ASS'Y:AS  
SY

15.B2236464  
BUSHING - 6X10X6

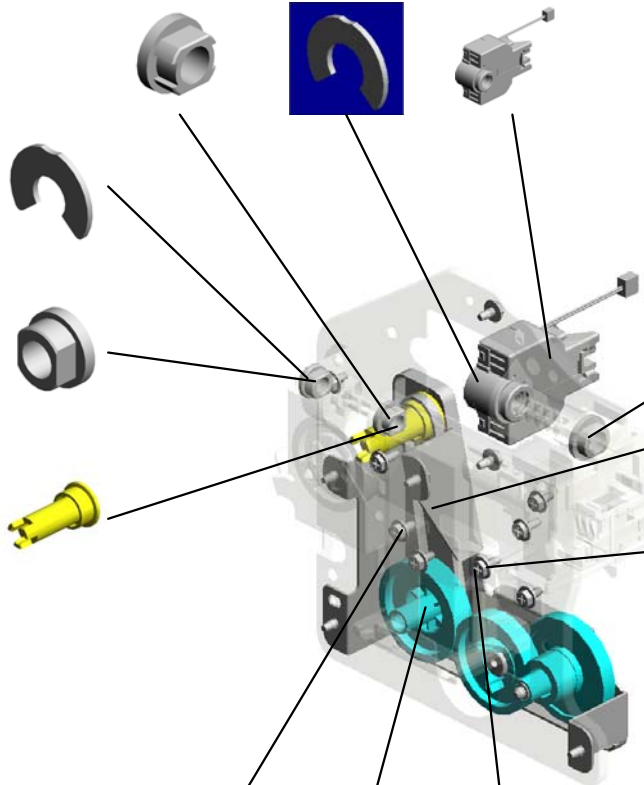
7.08050106  
RETAINING RINGS  
-E:SILENCER:DIA6

14.AX121101  
ROTARY SOLENOI  
D:USED TONER:C  
HANGE

6.08050104  
RETAINING RINGS  
-E:SILENCER:DIA4

9.AA080346  
BUSHING:FLANGE  
TYPE:DIA6

12.AB033800  
PULLEY:SCREW G  
EAR:RECYCLING:I  
DLER



10.AA080347  
BUSHING - 8MM

16.B6521773  
TIMING BELT:B40S  
2M178

4.04583008N  
(x3)  
HEXAGON HEAD T  
APPING SCREW:3  
X8

1.04513006N  
(x11)  
TAPPING SCREW -  
3X6

11.AB017862  
GEAR:PULLEY:US  
ED TONER:IDLER

19.D2026562  
BRACKET:DRIVE S  
UB-UNIT:COLLECT  
ION BOTTLE

U001	U002	U003	U004	U005	U006	U007	U008	U009	U010	U011	U012	U013	U014	U015	U016	U017
------	------	------	------	------	------	------	------	------	------	------	------	------	------	------	------	------

# U010.FUSING

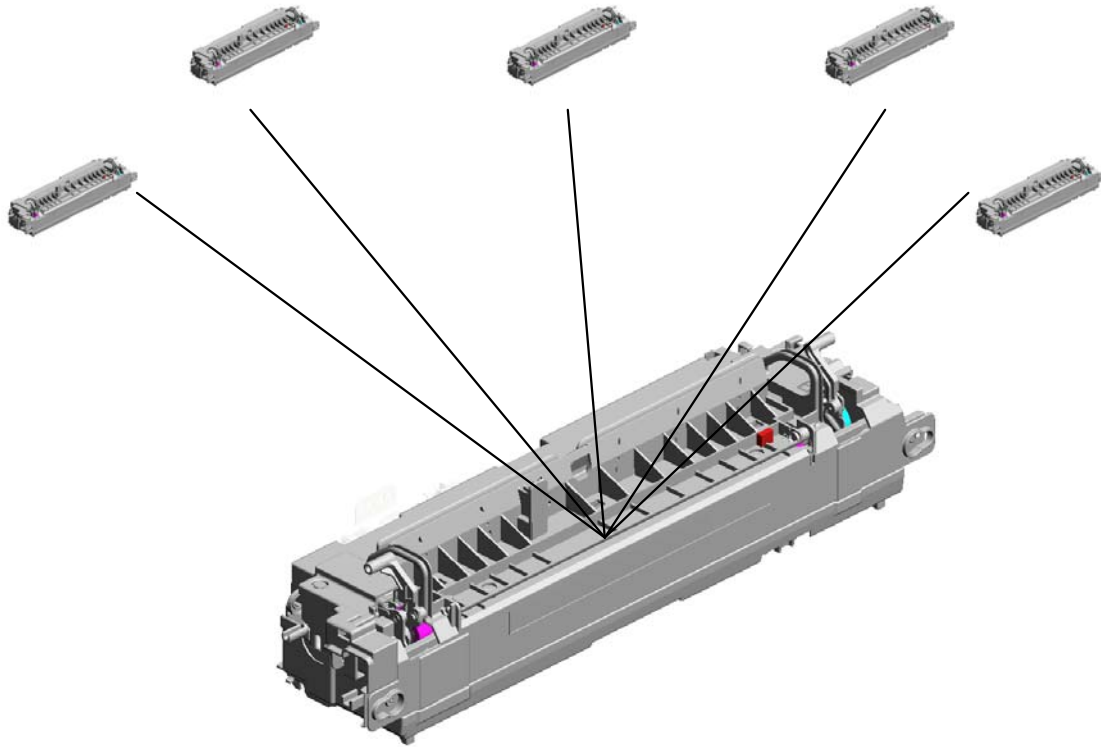
U010\_S001  
D8694051  
(NA):FUSING UNIT:SERVICE

U010\_S002  
D8694052  
(EU):(AA):FUSING UNIT:SERVICE

U010\_S003  
D8694012  
(EU):(AA/KOR):(CHN):FUSING UNIT:SERVICE

U010\_S005  
D8694053  
(TWN):FUSING UNIT:SERVICE

U010\_S004  
D8694052  
(EU):(AA):FUSING UNIT:SERVICE



U001	U002	U003	U004	U005	U006	U007	U008	U009	U010	U011	U012	U013	U014	U015	U016	U017
------	------	------	------	------	------	------	------	------	------	------	------	------	------	------	------	------



# U010\_S002.(EU):(AA):FUSING UNIT:SERVICE

U010 S002 S001  
D8694032  
(EU):(AA/KOR):(CHN):SLEEV  
E:SERVICE



U001	U002	U003	U004	U005	U006	U007	U008	U009	U010	U011	U012	U013	U014	U015	U016	U017
------	------	------	------	------	------	------	------	------	------	------	------	------	------	------	------	------

# U010 FUSING

13.11050759 (x2)  
CLAMP:LWSM-060  
5A

2.04543006Q (x2)  
TAPPING SCREW -  
M3X6



30.D1494354  
BRACKET:DRAWER:  
MAIN



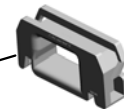
11.11050692  
CLAMP:LES-0503



8.08046123 (x2)  
HEXAGONAL BOLT  
:WASHER:M3X8



12.11050723 (x2)  
CLAMPS:WES-050  
7



28.D1054365 (x2)  
HOLDER:THERMO  
PILE



23.AW100138 (x2)  
THERMOPILE



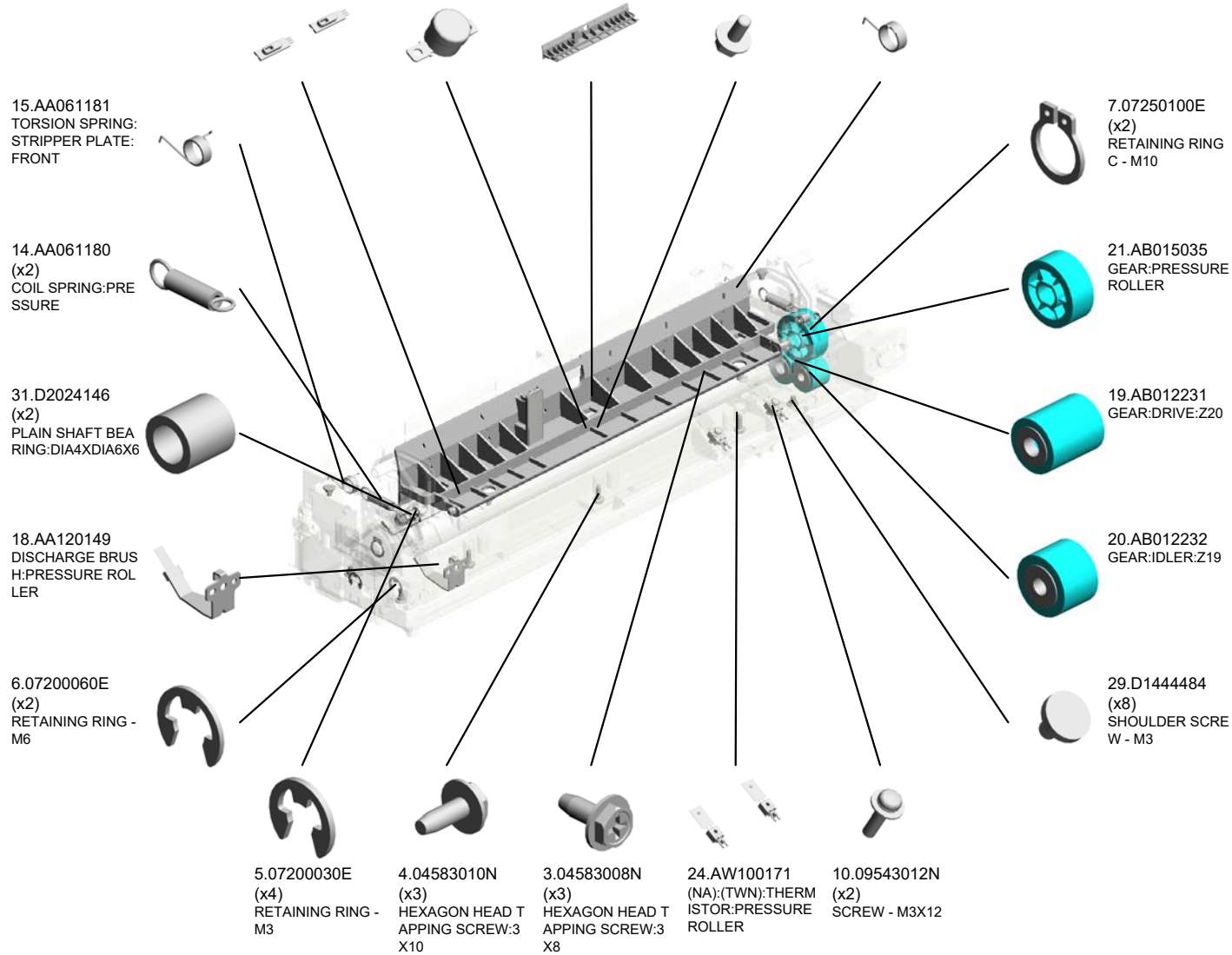
U001	U002	U003	U004	U005	U006	U007	U008	U009	U010	U011	U012	U013	U014	U015	U016	U017
------	------	------	------	------	------	------	------	------	------	------	------	------	------	------	------	------

U010\_S001  
(NA):FUSING UNIT:SERVICE

- 26.AW100173 NON-CONTACT TYP  
E THERMISTOR:  
HOT ROLLER
- 27.AW110101 (x2)  
THERMOSTAT:LO  
WER
- 32.D2024215 GUIDE PLATE:FUSI  
NG EXIT  
201505-05 X/X
- 9.08046127 (x6)  
HEXAGONAL BOLT  
:DOUBLE SCREW:  
M3X8
- 16.AA061182 TORSION SPRING:  
STRIPPER PLATE:  
REAR



52.D8694051  
[A]  
(NA):FUSING UNIT:  
SERVICE  
201412-03 X/O



U001	U002	U003	U004	U005	U006	U007	U008	U009	U010	U011	U012	U013	U014	U015	U016	U017
------	------	------	------	------	------	------	------	------	------	------	------	------	------	------	------	------

# U010\_S001 (NA):FUSING UNIT:SERVICE

38.D2024245  
DECAL:C:GUIDE P  
LATE:FUSING EXIT

**56.D8694031**  
(NA):SLEEVE:SER  
VICE

33.D2024224  
STRIPPER PLATE:  
FUSING EXIT

51.D2024386  
ELECTRODE PLAT  
E:FRONT

**47.D2024313**  
PRESSURE ROLLE  
R:DIA32



52.D8694051  
**[A]**  
(NA):FUSING UNIT:  
SERVICE  
201412-03 X/O

35.D2024234  
LEVER:PRESSURE  
RELEASE:FRONT:  
ASS'Y



34.D2024233  
(x2)  
LEVER:LOCK:PRE  
SSURE



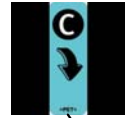
50.D2024374  
COVER:HARNES



36.D2024236  
LEVER:PRESSURE  
:FRONT:PEEN



45.D2024266  
BRACKET:PRESSU  
RE ROLLER:FRON  
T



37.D2024244  
LEVER:PRESSURE  
RELEASE:REAR:A  
SS'Y



39.D2024246  
LEVER:PRESSURE  
:REAR:PEEN



41.D2024256  
BRACKET:PRESSU  
RE ROLLER:REAR



42.D2024258  
STAY:GEAR



46.D2024309  
(x2)  
FLAT NUT:THERMI  
STOR:PRESSURE  
ROLLER



40.D2024252  
FUSING ENTRANC  
E GUIDE PLATE



44.D2024263  
DECAL:H-TEMP W  
ARNING:FUSING



43.D2024262  
FUSING COVER:U  
PPER



48.D2024335  
ELECTRODE PLAT  
E:MIDDLE



49.D2024337  
ELECTRODE PLAT  
E:REAR

U001	U002	U003	U004	U005	U006	U007	U008	U009	<b>U010</b>	U011	U012	U013	U014	U015	U016	U017
------	------	------	------	------	------	------	------	------	-------------	------	------	------	------	------	------	------

U010\_S001  
(NA):FUSING UNIT:SERVICE

61.D2024274  
FRAME:LOWER:FU  
SING

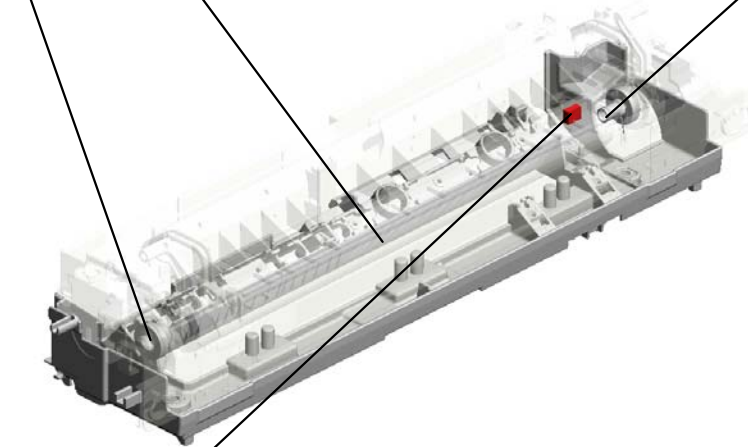


52.D8694051  
[A]  
(NA):FUSING UNIT:  
SERVICE  
201412-03 X/O

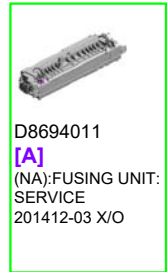
62.AE030097  
(x2)  
RADIAL BALL BEA  
RING:DIA10XDIA22  
X6  
201707-01 O/O



60.AA066435  
SPRING:RELEASE:  
FUSING EXIT  
201505-04 X/X



59.08050106  
RETAINING RINGS  
-E:SILENCER:DIA6  
201505-03



D8694011  
[A]  
(NA):FUSING UNIT:  
SERVICE  
201412-03 X/O

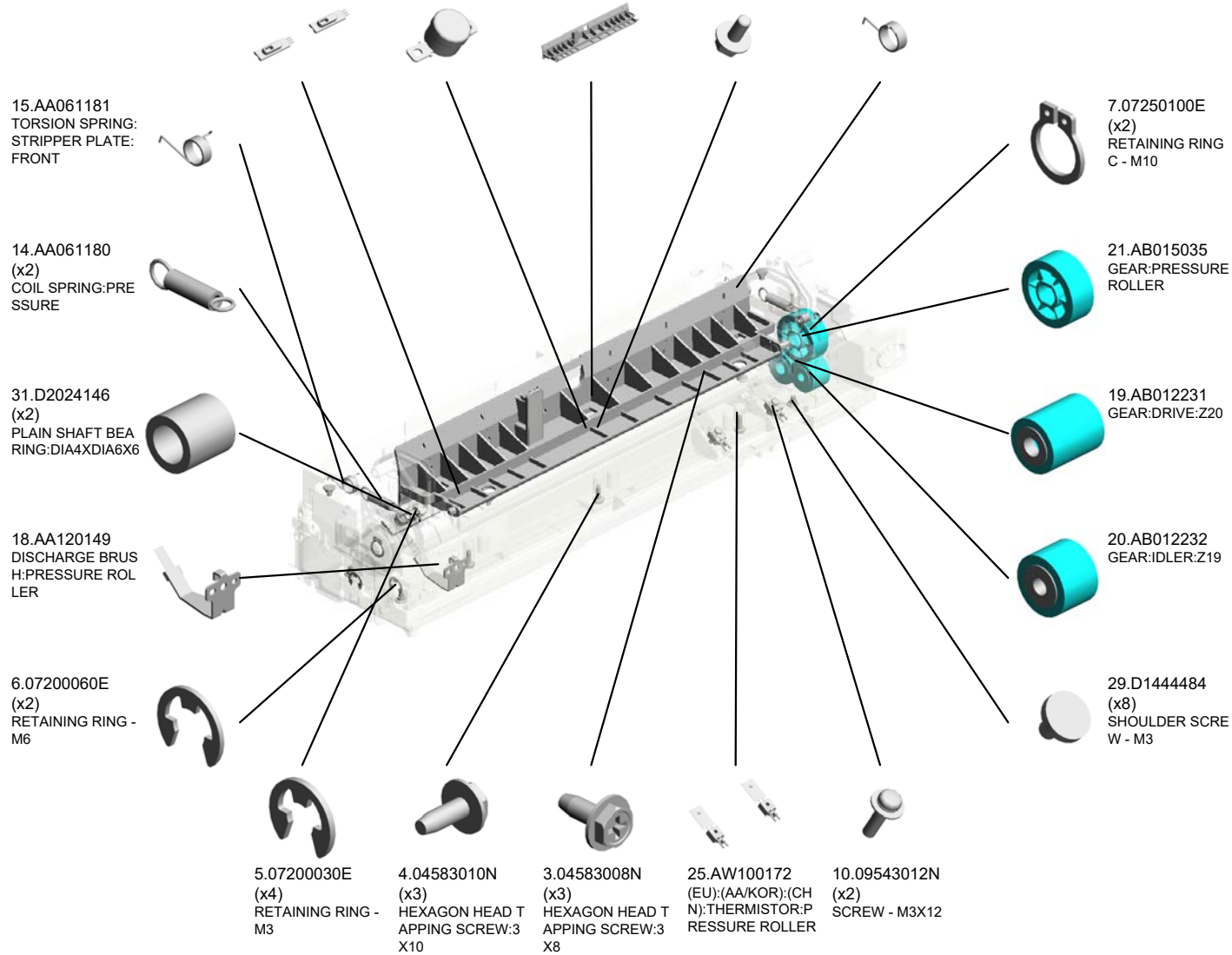
U001	U002	U003	U004	U005	U006	U007	U008	U009	U010	U011	U012	U013	U014	U015	U016	U017
------	------	------	------	------	------	------	------	------	------	------	------	------	------	------	------	------

U010\_S002  
(EU):(AA):FUSING UNIT:SERVICE

- 26.AW100173 NON-CONTACT TYP  
PE THERMISTOR:  
HOT ROLLER
- 27.AW110101 (x2)  
THERMOSTAT:LO  
WER
- 32.D2024215 GUIDE PLATE:FUSI  
NG EXIT  
201505-05 X/X
- 9.08046127 (x6)  
HEXAGONAL BOLT  
:DOUBLE SCREW:  
M3X8
- 16.AA061182 TORSION SPRING:  
STRIPPER PLATE:  
REAR



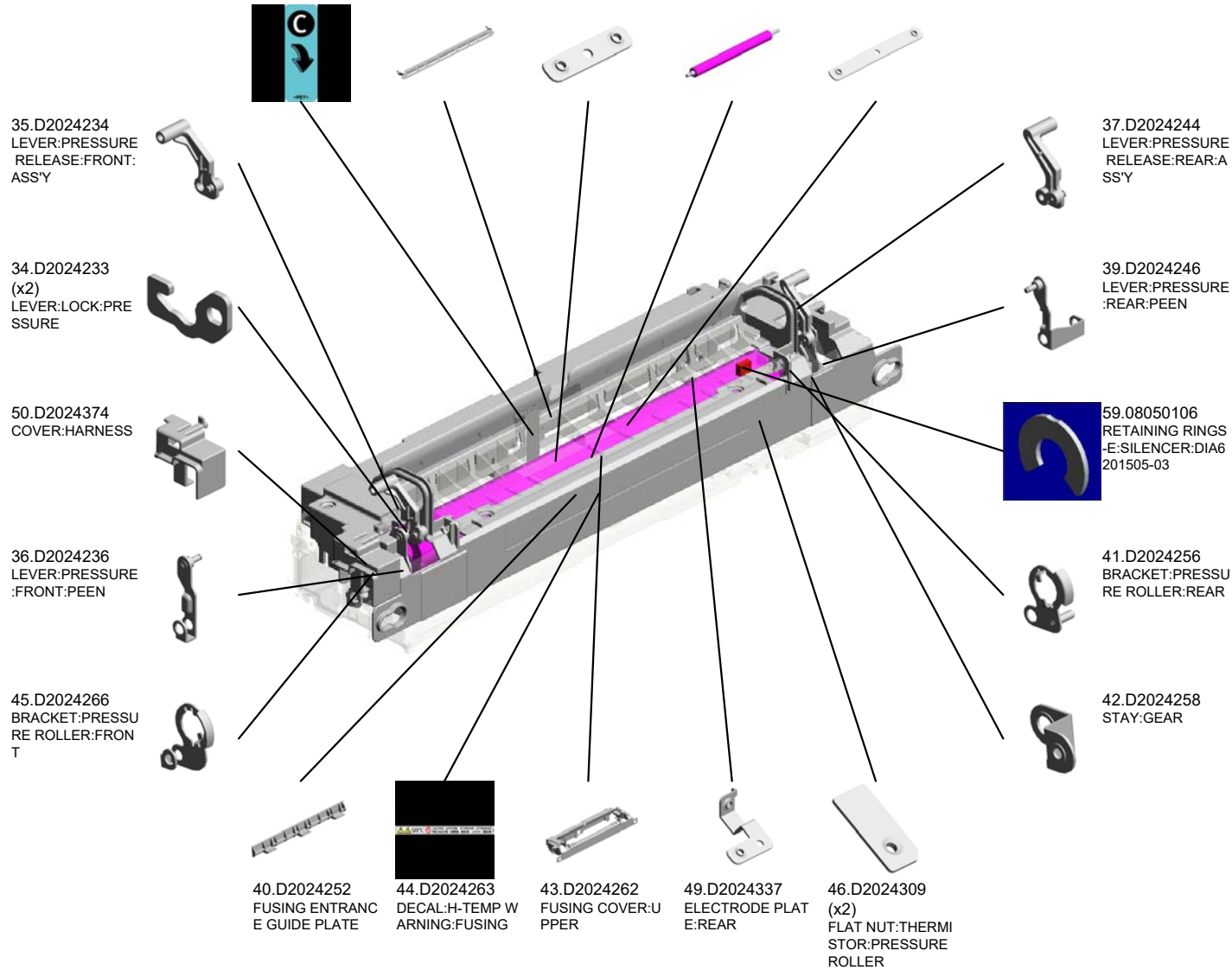
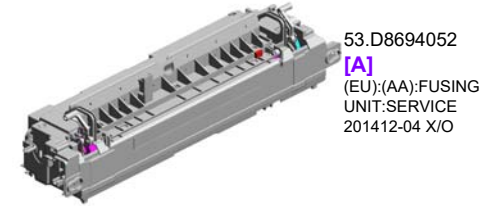
53.D8694052  
[A]  
(EU):(AA):FUSING  
UNIT:SERVICE  
201412-04 X/O



U001	U002	U003	U004	U005	U006	U007	U008	U009	U010	U011	U012	U013	U014	U015	U016	U017
------	------	------	------	------	------	------	------	------	------	------	------	------	------	------	------	------

U010\_S002  
(EU):(AA):FUSING UNIT:SERVICE

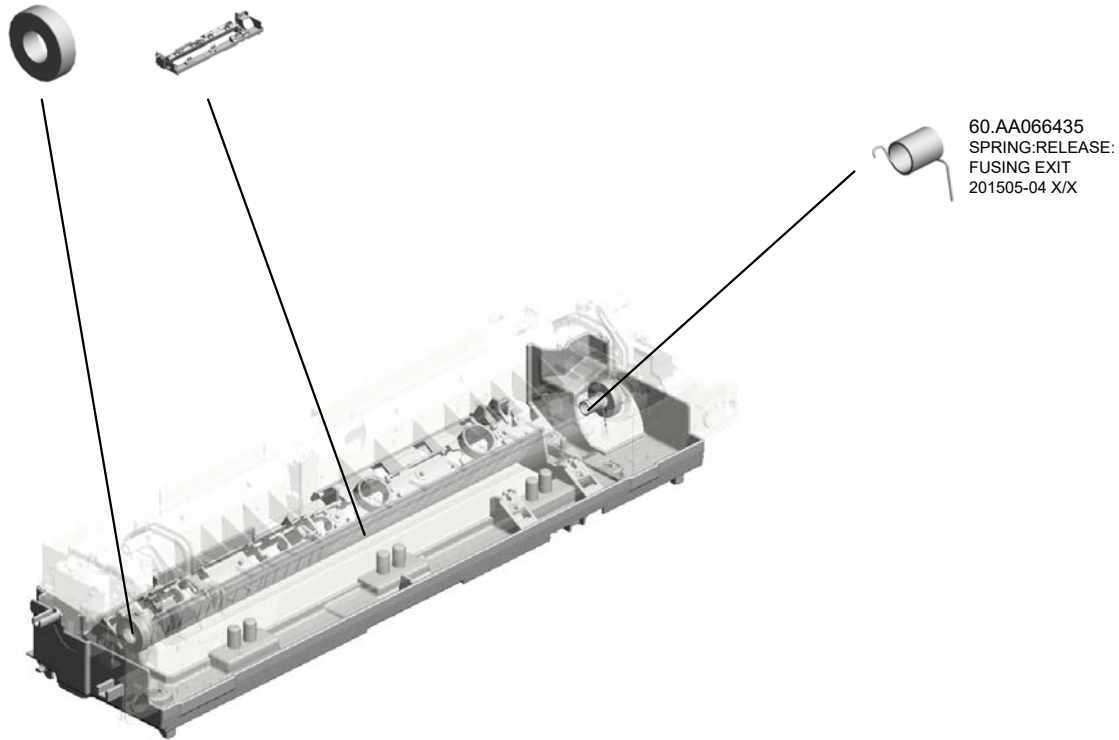
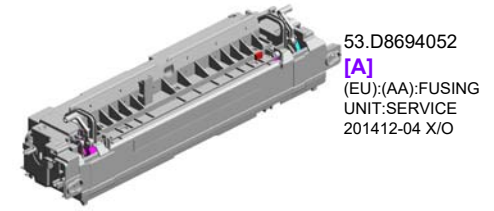
38.D2024245 DECAL:C:GUIDE PLATE:FUSING EXIT  
33.D2024224 STRIPPER PLATE:FUSING EXIT  
51.D2024386 ELECTRODE PLATE:FRONT  
**47.D2024313 PRESSURE ROLLER:DIA32**  
48.D2024335 ELECTRODE PLATE:MIDDLE



U001	U002	U003	U004	U005	U006	U007	U008	U009	<b>U010</b>	U011	U012	U013	U014	U015	U016	U017
------	------	------	------	------	------	------	------	------	-------------	------	------	------	------	------	------	------

U010\_S002  
 (EU):(AA):FUSING UNIT:SERVICE

62.AE030097 61.D2024274  
 (x2) FRAME:LOWER:FU  
 RADIAL BALL BEA SING  
 RING:DIA10XDIA22  
 X6  
 201707-01 O/O

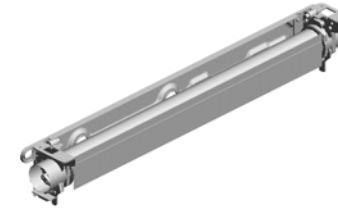
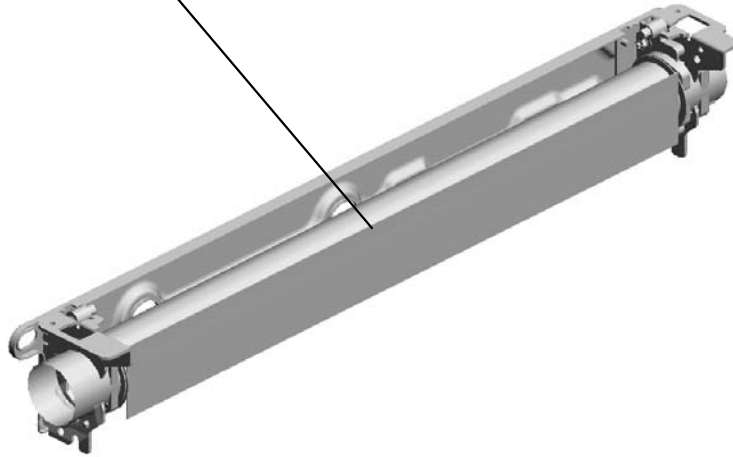
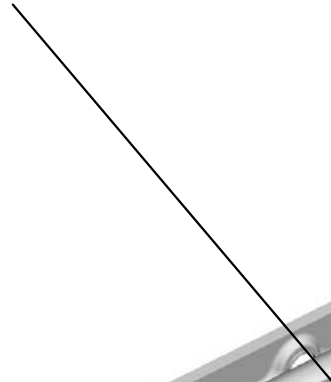


U001	U002	U003	U004	U005	U006	U007	U008	U009	U010	U011	U012	U013	U014	U015	U016	U017
------	------	------	------	------	------	------	------	------	------	------	------	------	------	------	------	------



U010\_S002\_S001  
(EU):(AA/KOR):(CHN):SLEEVE:SERVICE

55.D8694020  
(EU):SLEEVE:SERVICE



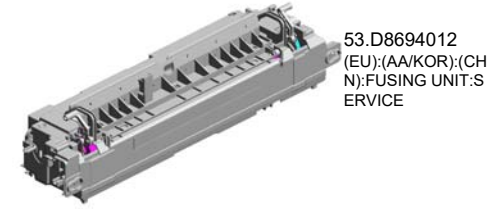
57.D8694032  
(EU):(AA/KOR):(CHN):SLEEVE:SERVICE

U001	U002	U003	U004	U005	U006	U007	U008	U009	U010	U011	U012	U013	U014	U015	U016	U017
------	------	------	------	------	------	------	------	------	------	------	------	------	------	------	------	------

# U010\_S003

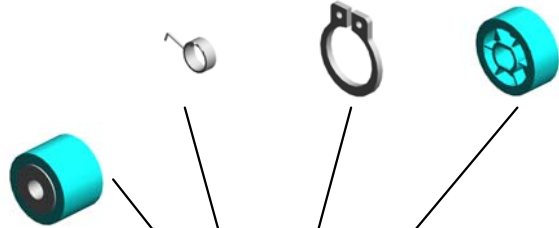
## (EU):(AA/KOR):(CHN):FUSING UNIT:SERVICE

- 16.AA061182 TORSION SPRING: STRIPPER PLATE: REAR
- 7.07250100E (x2) RETAINING RING C - M10
- 21.AB015035 GEAR:PRESSURE ROLLER
- 10.09543012N (x2) SCREW - M3X12
- 25.AW100172 (EU):(AA/KOR):(CHN):THERMISTOR:PRESSURE ROLLER

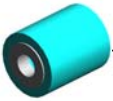


53.D8694012  
(EU):(AA/KOR):(CHN):FUSING UNIT:SERVICE

20.AB012232  
GEAR:IDLER:Z19



19.AB012231  
GEAR:DRIVE:Z20



29.D1444484  
(x8)  
SHOULDER SCREW - M3



3.04583008N  
(x3)  
HEXAGON HEAD TAPPING SCREW:3 X8



9.08046127  
(x6)  
HEXAGONAL BOLT:DOUBLE SCREW: M3X8



27.AW110101  
(x2)  
THERMISTOR:LOWER



4.04583010N  
(x3)  
HEXAGON HEAD TAPPING SCREW:3 X10



32.D2024215  
GUIDE PLATE:FUSING EXIT



26.AW100173  
NON-CONTACT TYPE THERMISTOR: HOT ROLLER



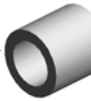
15.AA061181  
TORSION SPRING: STRIPPER PLATE: FRONT



5.07200030E  
(x4)  
RETAINING RING - M3



31.D2024146  
(x2)  
PLAIN SHAFT BEARING: DIA4X DIA6X6



14.AA061180  
(x2)  
COIL SPRING:PRESSURE



18.AA120149  
DISCHARGE BRUSH:PRESSURE ROLLER



6.07200060E  
(x2)  
RETAINING RING - M6



U001	U002	U003	U004	U005	U006	U007	U008	U009	U010	U011	U012	U013	U014	U015	U016	U017
------	------	------	------	------	------	------	------	------	------	------	------	------	------	------	------	------

U010\_S003

(EU):(AA/KOR):(CHN):FUSING UNIT:SERVICE

39.D2024246  
LEVER:PRESSURE  
:REAR:PEEN

37.D2024244  
LEVER:PRESSURE  
RELEASE:REAR:AS  
SSY

46.D2024309  
(x2)  
FLAT NUT:THERMI  
STOR:PRESSURE  
ROLLER

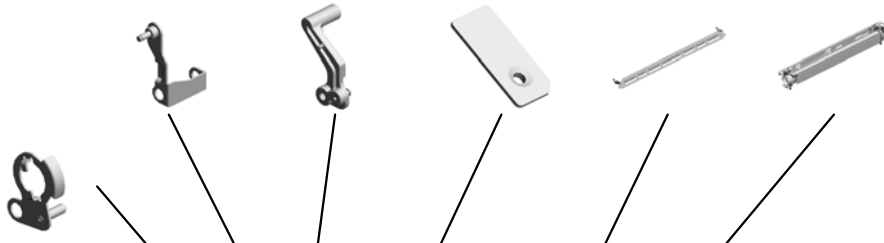
33.D2024224  
STRIPPER PLATE:  
FUSING EXIT

57.D8694032  
(EU):(AA/KOR):(CH  
N):SLEEVE:SERVIC  
E



53.D8694012  
(EU):(AA/KOR):(CH  
N):FUSING UNIT:S  
ERVICE

41.D2024256  
BRACKET:PRESSU  
RE ROLLER:REAR



38.D2024245  
DECAL:C:GUIDE P  
LATE:FUSING EXIT

42.D2024258  
STAY:GEAR



35.D2024234  
LEVER:PRESSURE  
RELEASE:FRONT:  
ASSY

49.D2024337  
ELECTRODE PLAT  
E:REAR



34.D2024233  
(x2)  
LEVER:LOCK:PRE  
SSURE

48.D2024335  
ELECTRODE PLAT  
E:MIDDLE



50.D2024374  
COVER:HARNESS

51.D2024386  
ELECTRODE PLAT  
E:FRONT



36.D2024236  
LEVER:PRESSURE  
:FRONT:PEEN

47.D2024313  
PRESSURE ROLLE  
R:DIA32

40.D2024252  
FUSING ENTRANC  
E GUIDE PLATE

43.D2024262  
FUSING COVER:U  
PPER

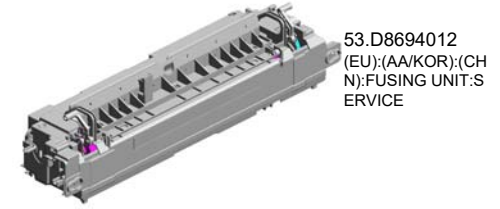
44.D2024263  
DECAL:H-TEMP W  
ARNING:FUSING

45.D2024266  
BRACKET:PRESSU  
RE ROLLER:FRON  
T

U001	U002	U003	U004	U005	U006	U007	U008	U009	U010	U011	U012	U013	U014	U015	U016	U017
------	------	------	------	------	------	------	------	------	------	------	------	------	------	------	------	------

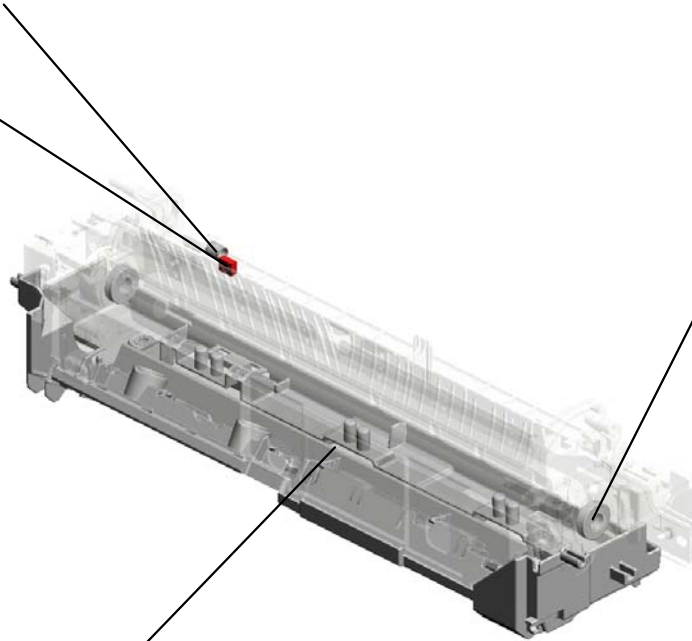
U010\_S003  
(EU):(AA/KOR):(CHN):FUSING UNIT:SERVICE

60.AA066435  
SPRING:RELEASE:  
FUSING EXIT  
201505-06 X/X



53.D8694012  
(EU):(AA/KOR):(CH  
N):FUSING UNIT:S  
ERVICE

59.08050106  
RETAINING RINGS  
-E:SILENCER:DIA6  
201505-03



62.AE030097  
(x2)  
RADIAL BALL BEA  
RING:DIA10XDIA22  
X6  
201707-01 O/O



61.D2024274  
FRAME:LOWER:FU  
SING



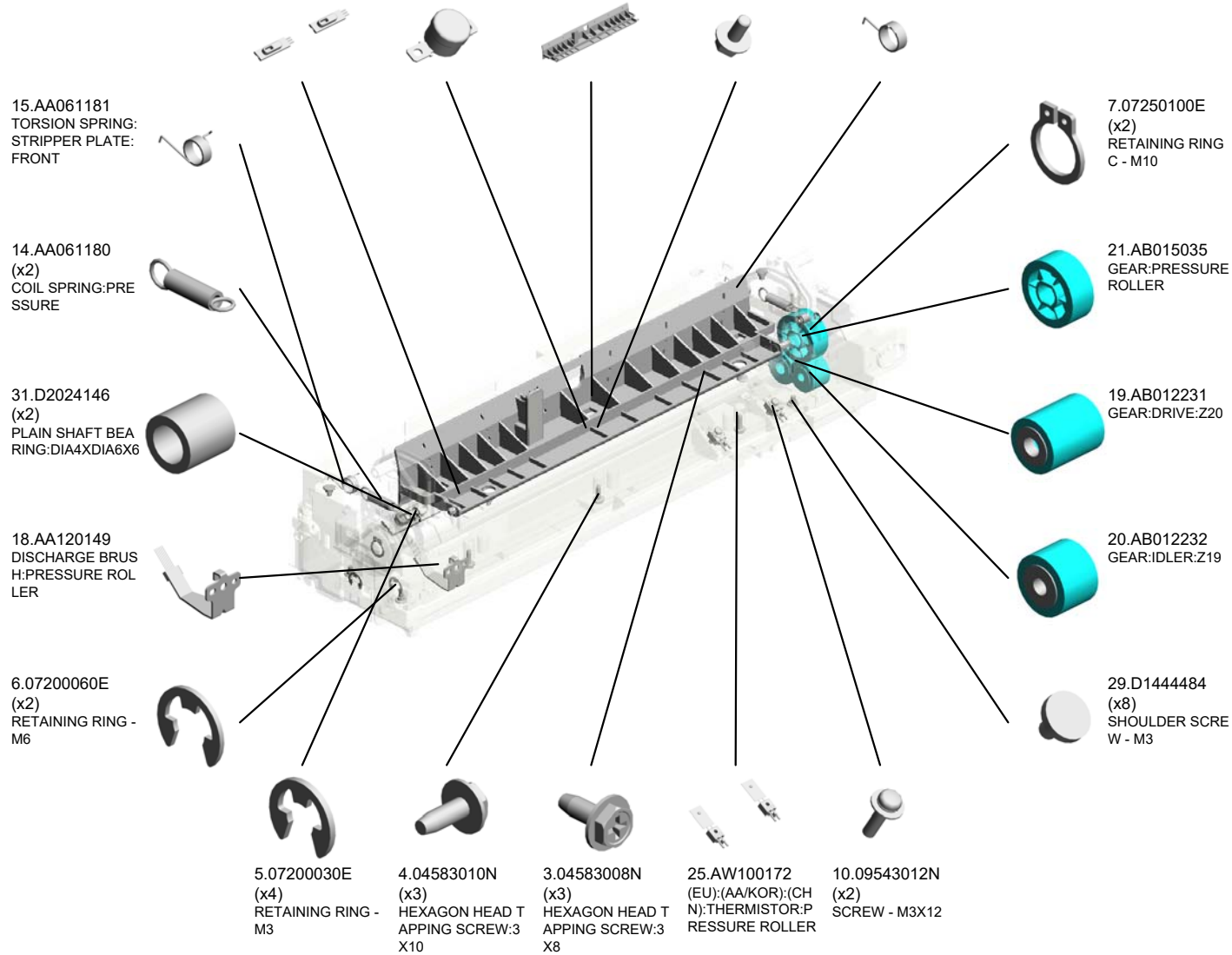
U001	U002	U003	U004	U005	U006	U007	U008	U009	U010	U011	U012	U013	U014	U015	U016	U017
------	------	------	------	------	------	------	------	------	------	------	------	------	------	------	------	------

U010\_S004  
(EU):(AA):FUSING UNIT:SERVICE

- 26.AW100173 NON-CONTACT TYP  
PE THERMISTOR:  
HOT ROLLER
- 27.AW110101 (x2)  
THERMOSTAT:LO  
WER
- 32.D2024215 GUIDE PLATE:FUSI  
NG EXIT  
201505-05 X/X
- 9.08046127 (x6)  
HEXAGONAL BOLT  
:DOUBLE SCREW:  
M3X8
- 16.AA061182 TORSION SPRING:  
STRIPPER PLATE:  
REAR



53.D8694052  
[A]  
(EU):(AA):FUSING  
UNIT:SERVICE  
201412-04 X/O



U001	U002	U003	U004	U005	U006	U007	U008	U009	U010	U011	U012	U013	U014	U015	U016	U017
------	------	------	------	------	------	------	------	------	------	------	------	------	------	------	------	------

U010\_S004  
(EU):(AA):FUSING UNIT:SERVICE

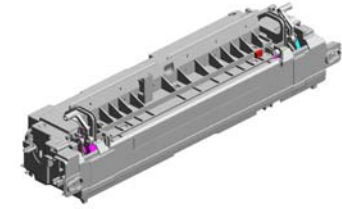
38.D2024245  
DECAL:C:GUIDE P  
LATE:FUSING EXIT

**57.D8694032**  
(EU):(AA/KOR):(CH  
N):SLEEVE:SERVIC  
E

33.D2024224  
STRIPPER PLATE:  
FUSING EXIT

51.D2024386  
ELECTRODE PLAT  
E:FRONT

**47.D2024313**  
PRESSURE ROLLE  
R:DIA32



53.D8694052  
**[A]**  
(EU):(AA):FUSING  
UNIT:SERVICE  
201412-04 X/O

35.D2024234  
LEVER:PRESSURE  
RELEASE:FRONT:  
ASS'Y



34.D2024233  
(x2)  
LEVER:LOCK:PRE  
SSURE



50.D2024374  
COVER:HARNES



36.D2024236  
LEVER:PRESSURE  
:FRONT:PEEN



45.D2024266  
BRACKET:PRESSU  
RE ROLLER:FRON  
T



40.D2024252  
FUSING ENTRANC  
E GUIDE PLATE



44.D2024263  
DECAL:H-TEMP W  
ARNING:FUSING



43.D2024262  
FUSING COVER:U  
PPER



48.D2024335  
ELECTRODE PLAT  
E:MIDDLE



49.D2024337  
ELECTRODE PLAT  
E:REAR



37.D2024244  
LEVER:PRESSURE  
RELEASE:REAR:A  
SS'Y



39.D2024246  
LEVER:PRESSURE  
:REAR:PEEN



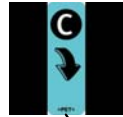
41.D2024256  
BRACKET:PRESSU  
RE ROLLER:REAR



42.D2024258  
STAY:GEAR

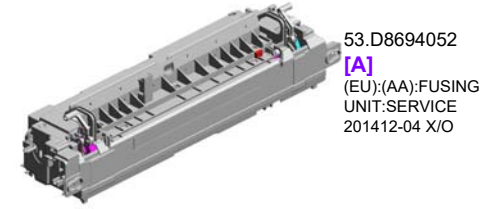


46.D2024309  
(x2)  
FLAT NUT:THERMI  
STOR:PRESSURE  
ROLLER

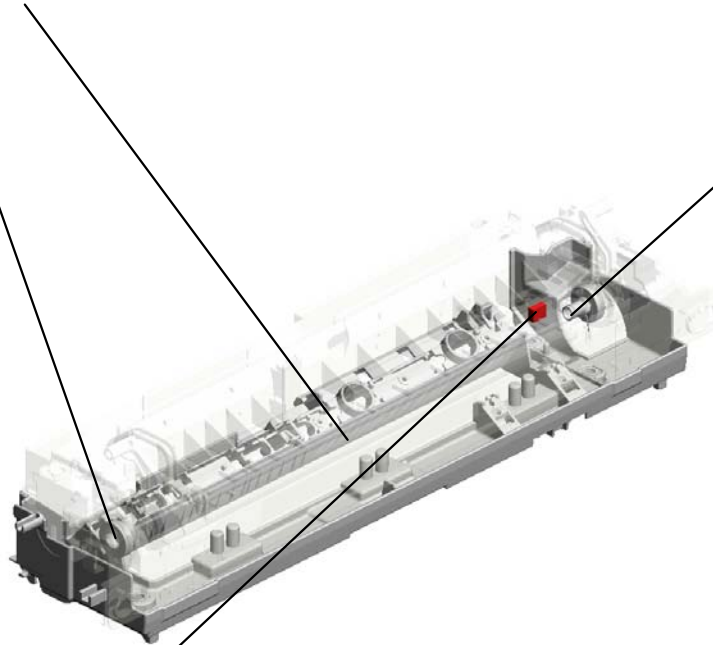


U010\_S004  
(EU):(AA):FUSING UNIT:SERVICE

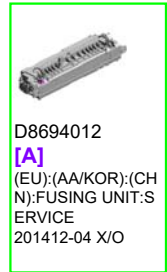
61.D2024274  
FRAME:LOWER:FU  
SING



62.AE030097  
(x2)  
RADIAL BALL BEA  
RING:DIA10XDIA22  
X6  
201707-01 O/O



60.AA066435  
SPRING:RELEASE:  
FUSING EXIT  
201505-04 X/X



D8694012  
[A]  
(EU):(AA/KOR):(CH  
N):FUSING UNIT:S  
ERVICE  
201412-04 X/O



59.08050106  
RETAINING RINGS  
-E:SILENCER:DIA6  
201505-03

U001	U002	U003	U004	U005	U006	U007	U008	U009	U010	U011	U012	U013	U014	U015	U016	U017
------	------	------	------	------	------	------	------	------	------	------	------	------	------	------	------	------

U010\_S005  
(TWN):FUSING UNIT:TWN:SERVICE

- 26.AW100173 NON-CONTACT TYP  
PE THERMISTOR:  
HOT ROLLER
- 27.AW110101 (x2)  
THERMOSTAT:LO  
WER
- 32.D2024215 GUIDE PLATE:FUSI  
NG EXIT  
201505-05 X/X
- 9.08046127 (x6)  
HEXAGONAL BOLT  
:DOUBLE SCREW:  
M3X8
- 16.AA061182 TORSION SPRING:  
STRIPPER PLATE:  
REAR



54.D8694053  
[A]  
(TWN):FUSING UNI  
T:TWN:SERVICE  
201412-02 X/O

15.AA061181  
TORSION SPRING:  
STRIPPER PLATE:  
FRONT



14.AA061180  
(x2)  
COIL SPRING:PRE  
SSURE



31.D2024146  
(x2)  
PLAIN SHAFT BEA  
RING:DIA4XDIA6X6



18.AA120149  
DISCHARGE BRUS  
H:PRESSURE ROL  
LER



6.07200060E  
(x2)  
RETAINING RING -  
M6



5.07200030E  
(x4)  
RETAINING RING -  
M3



4.04583010N  
(x3)  
HEXAGON HEAD T  
APPING SCREW:3  
X10



3.04583008N  
(x3)  
HEXAGON HEAD T  
APPING SCREW:3  
X8



24.AW100171  
(NA):(TWN):THERM  
ISTOR:PRESSURE  
ROLLER



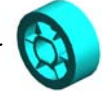
10.09543012N  
(x2)  
SCREW - M3X12



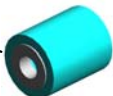
7.07250100E  
(x2)  
RETAINING RING  
C - M10



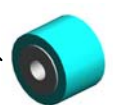
21.AB015035  
GEAR:PRESSURE  
ROLLER



19.AB012231  
GEAR:DRIVE:Z20



20.AB012232  
GEAR:IDLER:Z19



29.D1444484  
(x8)  
SHOULDER SCRE  
W - M3





U010\_S005  
(TWN):FUSING UNIT:TWN:SERVICE

38.D2024245  
DECAL:C:GUIDE P  
LATE:FUSING EXIT

**58.D8694033**  
(TWN):SLEEVE:SE  
RVICE

33.D2024224  
STRIPPER PLATE:  
FUSING EXIT

51.D2024386  
ELECTRODE PLAT  
E:FRONT

**47.D2024313**  
PRESSURE ROLLE  
R:DIA32



54.D8694053  
**[A]**  
(TWN):FUSING UNI  
T:TWN:SERVICE  
201412-02 X/O

35.D2024234  
LEVER:PRESSURE  
RELEASE:FRONT:  
ASS'Y



34.D2024233  
(x2)  
LEVER:LOCK:PRE  
SSURE



50.D2024374  
COVER:HARNESS



36.D2024236  
LEVER:PRESSURE  
:FRONT:PEEN



45.D2024266  
BRACKET:PRESSU  
RE ROLLER:FRON  
T



37.D2024244  
LEVER:PRESSURE  
RELEASE:REAR:A  
SS'Y



39.D2024246  
LEVER:PRESSURE  
:REAR:PEEN



41.D2024256  
BRACKET:PRESSU  
RE ROLLER:REAR



42.D2024258  
STAY:GEAR



46.D2024309  
(x2)  
FLAT NUT:THERMI  
STOR:PRESSURE  
ROLLER



40.D2024252  
FUSING ENTRANC  
E GUIDE PLATE



44.D2024263  
DECAL:H-TEMP W  
ARNING:FUSING



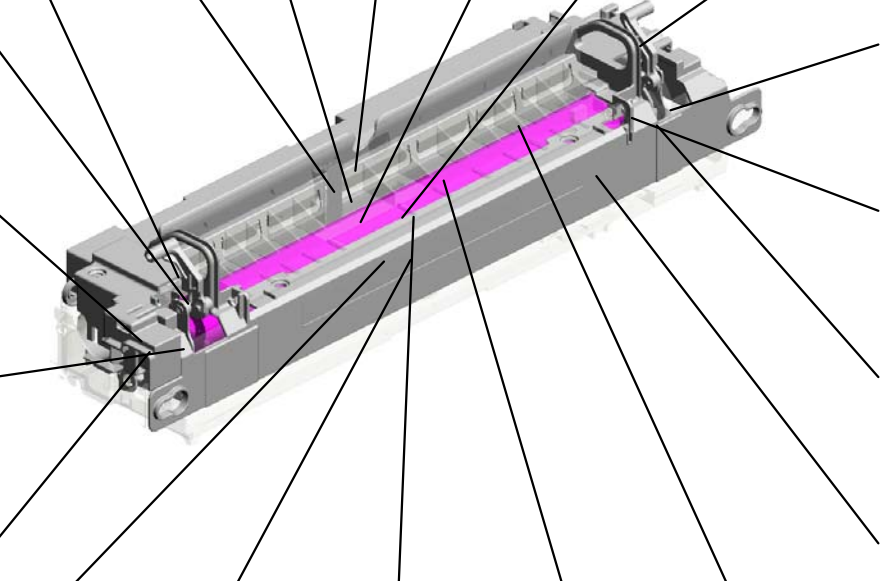
43.D2024262  
FUSING COVER:U  
PPER



48.D2024335  
ELECTRODE PLAT  
E:MIDDLE



49.D2024337  
ELECTRODE PLAT  
E:REAR



U010\_S005  
 (TWN):FUSING UNIT:TWN:SERVICE

61.D2024274  
 FRAME:LOWER:FU  
 SING

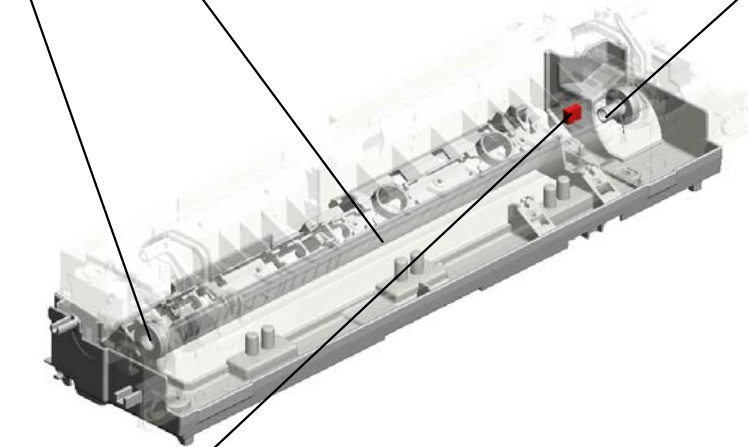


54.D8694053  
 [A]  
 (TWN):FUSING UNI  
 T:TWN:SERVICE  
 201412-02 X/O

62.AE030097  
 (x2)  
 RADIAL BALL BEA  
 RING:DIA10XDIA22  
 X6  
 201707-01 O/O



60.AA066435  
 SPRING:RELEASE:  
 FUSING EXIT  
 201505-04 X/X



59.08050106  
 RETAINING RINGS  
 -E:SILENCER:DIA6  
 201505-03

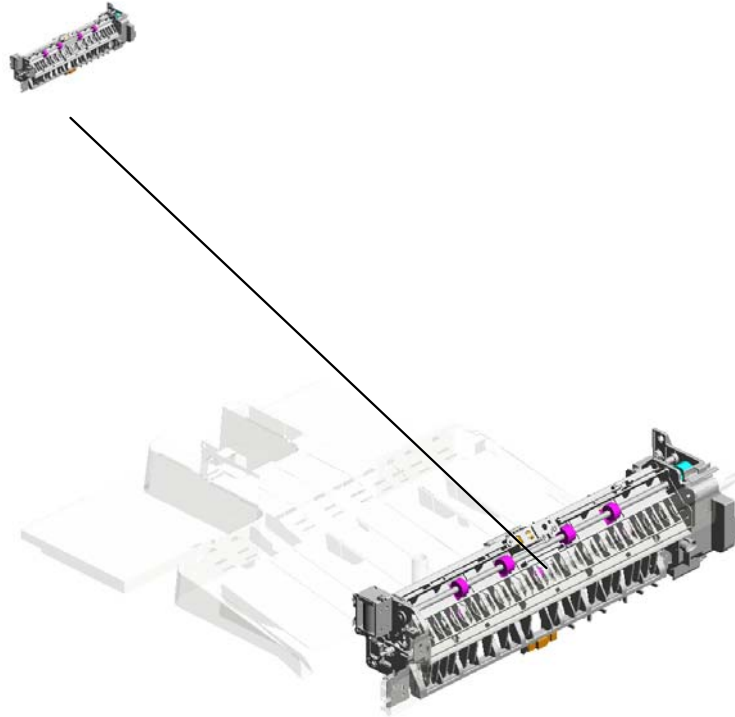


D8694013  
 [A]  
 (TWN):FUSING UNI  
 T:SERVICE  
 201412-02 X/O

U001	U002	U003	U004	U005	U006	U007	U008	U009	U010	U011	U012	U013	U014	U015	U016	U017
------	------	------	------	------	------	------	------	------	------	------	------	------	------	------	------	------

# U011.PAPER EXIT

U011 S001  
D2024405  
PAPER EXIT UNIT:ASSY



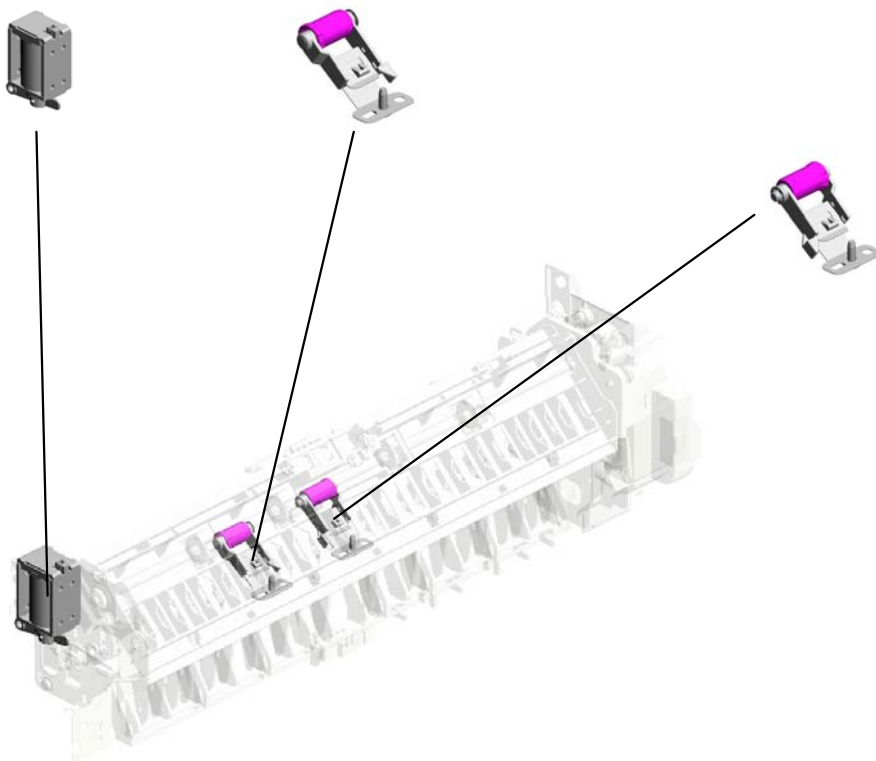
U001	U002	U003	U004	U005	U006	U007	U008	U009	U010	U011	U012	U013	U014	U015	U016	U017
------	------	------	------	------	------	------	------	------	------	------	------	------	------	------	------	------

# U011\_S001.PAPER EXIT UNIT:ASS'Y

U011 S001 S001  
D2024431  
DC SOLENOID:ASS'Y

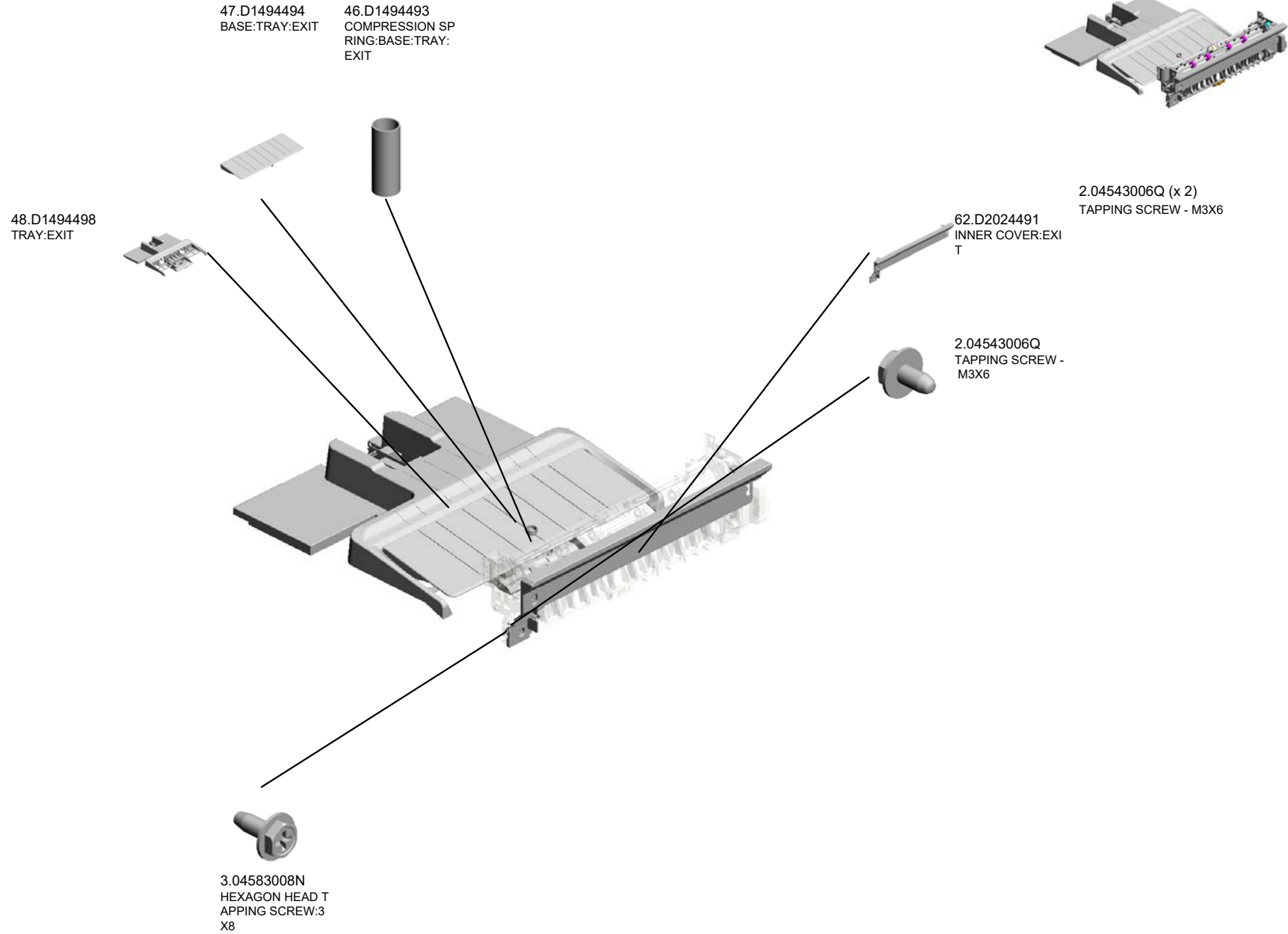
U011 S001 S002  
D2024466  
ROLLER:DRIVEN:EXIT:FRONT  
MIDDLE:ASS'Y

U011\_S001\_S003  
D2024467  
ROLLER:DRIVEN:EXIT:REAR  
MIDDLE:ASS'Y



U001	U002	U003	U004	U005	U006	U007	U008	U009	U010	U011	U012	U013	U014	U015	U016	U017
------	------	------	------	------	------	------	------	------	------	------	------	------	------	------	------	------

# U011 PAPER EXIT



U001	U002	U003	U004	U005	U006	U007	U008	U009	U010	U011	U012	U013	U014	U015	U016	U017
------	------	------	------	------	------	------	------	------	------	------	------	------	------	------	------	------

# U011\_S001 PAPER EXIT UNIT:ASS'Y

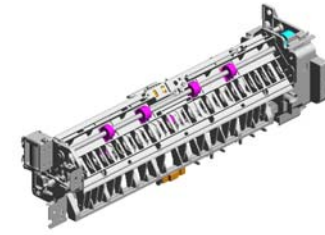
15.AF040571  
(x9)  
GUIDE ROLLER

20.D0094407  
FEELER - OVERFL  
OW

9.11050692  
(x2)  
CLAMP:LES-0503

16.AF040575  
(x3)  
DRIVEN ROLLER

19.B2134460  
(x2)  
(CHN):SHAFT:PRE  
SSURE ROLLER  
201412-06



64.D2024405  
PAPER EXIT UNIT:  
ASS'Y

1.03530030N  
(x2)  
SCREW:M3X3



13.AA082170  
(x4)  
PLAIN SHAFT BEA  
RING:DIA4XDIA8X5  
:EG-1



2.04543006Q  
(x15)  
TAPPING SCREW -  
M3X6



3.04583008N  
(x4)  
HEXAGON HEAD T  
APPING SCREW:3  
X8



21.D0094455  
CUSHION - DC SO  
LENOID



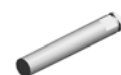
4.04583010N  
(x4)  
HEXAGON HEAD T  
APPING SCREW:3  
X10



17.AW010147  
PHOTO REFLECTI  
ON SENSOR



19.D1494459  
(x8)  
(EU/AA/NA/TWN):S  
HAFT:DRIVEN:EXIT  
ROLLER  
201412-05 X/O



6.07200030E  
(x2)  
RETAINING RING -  
M3



18.AW020224  
PHOTOINTERRUP  
TOR:GP1A173LCS  
VF  
201605-02 X/O



10.11050758  
(x6)  
CLAMP:LWSM-030  
6A



7.08050103  
(x2)  
RETAINING RINGS  
-E:SILENCER:DIA3



8.08050104  
(x2)  
RETAINING RINGS  
-E:SILENCER:DIA4



14.AA082173  
(x2)  
PLAIN SHAFT BEA  
RING:6X10X6



2.04543006Q (x 5)  
TAPPING SCREW - M3X6

7.08050103  
RETAINING RINGS  
-E:SILENCER:DIA3



12.AA043339  
TIMING BELT:PAP  
ER EXIT:40S2M122



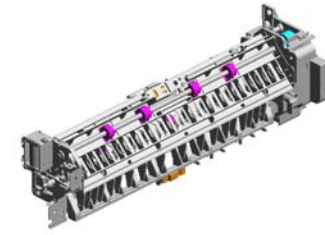
11.A2324666  
CUSHION - STEPP  
ER MOTOR



U001 U002 U003 U004 U005 U006 U007 U008 U009 U010 U011 U012 U013 U014 U015 U016 U017

# U011\_S001 PAPER EXIT UNIT:ASS'Y

- 24.D0394927 (x2) COMPRESSION SPRING:PRESSURE:REVERSE:DRIVEN
- 37.D1494461 GUIDE PLATE:REVERSE:UPPER
- 34.D1494448 SHAFT:FEELER:OVERFLOW
- 33.D1494446 (x3) SPRING PLATE:ROLLER:DRIVEN
- 38.D1494463 GROUND WIRE:SENSOR:REVERSE



64.D2024405  
PAPER EXIT UNIT:ASS'Y

22.D0394912  
DISCHARGE BRUSH:REVERSE

40.D1494468  
SHAFT:DRIVEN:REVERSE ROLLER

39.D1494466  
GUIDE PLATE:REVERSE:LOWER

26.D1484441  
GUIDE PLATE:EXIT:UPPER

32.D1494434  
TENSION SPRING:LEVER:GATE PAWL

36.D1494457 (x2)  
ARM:ROLLER:DRIVEN:EXIT

35.D1494456 (x2)  
SPRING PLATE:ROLLER:DRIVEN:EXIT

41.D1494469 (x2)  
SPRING PLATE:ROLLER:DRIVEN:REVERSE ROLLER

23.D0394925 (x4)  
ROLLER:REVERSE:DRIVEN

30.D1494428  
GROUND PLATE:PAPER EXIT UNIT

27.D1494422  
GEAR:REVERSE ROLLER

29.D1494427  
STUD:PULLEY:BRACKET:DC STEPPER MOTOR

31.D1494429  
PULLEY:GEAR:REVERSE

25.D1444484 (x3)  
SHOULDER SCREW - M3

28.D1494425  
DC STEPPER MOTOR:REVERSE:SUB-ASS'Y

U001	U002	U003	U004	U005	U006	U007	U008	U009	U010	U011	U012	U013	U014	U015	U016	U017
------	------	------	------	------	------	------	------	------	------	------	------	------	------	------	------	------

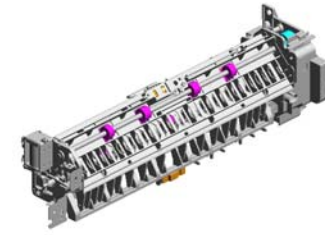
U011\_S001  
 PAPER EXIT UNIT:ASS'Y

63.GW010007  
 (x2)  
 PHOTO REFLECTI  
 ON SENSOR:EXIT

43.D1494476  
 EXIT ROLLER

60.D2024477  
 REVERSE ROLLER

55.D2024458  
 (x2)  
 ROLLER:DRIVEN:E  
 XIT



64.D2024405  
 PAPER EXIT UNIT:  
 ASS'Y

45.D1494484  
 TORSION SPRING:  
 LEVER:GATE PAW  
 L

44.D1494483  
 LEVER:GATE PAW  
 L



49.D2024421  
 GEAR:EXIT ROLLE  
 R

50.D2024426  
 BRACKET:DC STE  
 PPER MOTOR:REV  
 ERSE

42.D1494471  
 (x2)  
 SHAFT:DRIVEN:RE  
 VERSE ROLLER:O  
 UTER

52.D2024452  
 GUIDE PLATE:EXIT  
 :LOWER

61.D2024481  
 GATE PAWL:EXIT

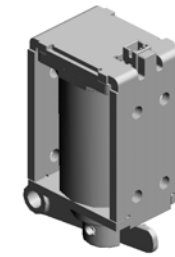


U001	U002	U003	U004	U005	U006	U007	U008	U009	U010	U011	U012	U013	U014	U015	U016	U017
------	------	------	------	------	------	------	------	------	------	------	------	------	------	------	------	------

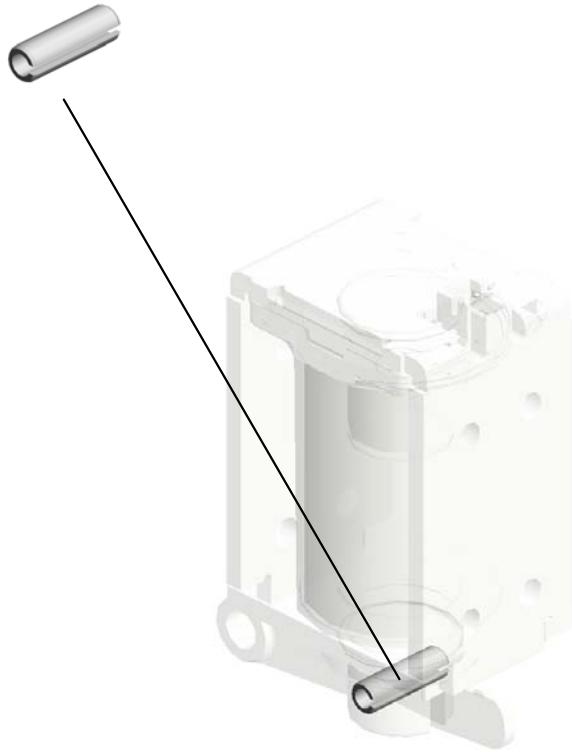


U011\_S001\_S001  
DC SOLENOID:ASS'Y

5.06230100E  
SPRING PIN - 3X10  
MM



51.D2024431  
DC SOLENOID:ASS  
Y



U001	U002	U003	U004	U005	U006	U007	U008	U009	U010	U011	U012	U013	U014	U015	U016	U017
------	------	------	------	------	------	------	------	------	------	------	------	------	------	------	------	------

U011\_S001\_S002

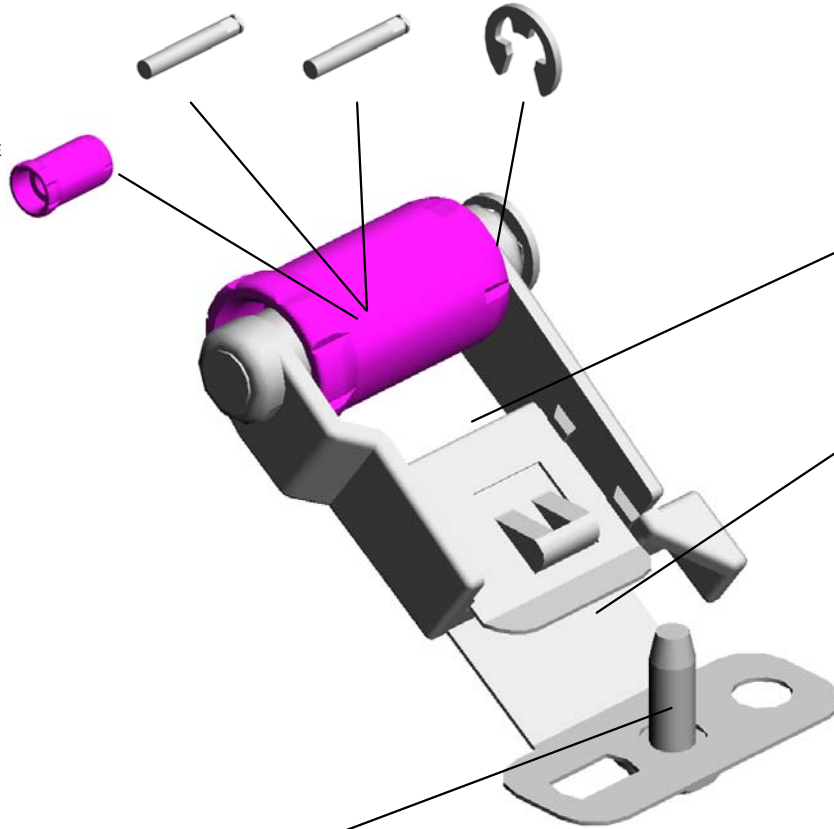
ROLLER:DRIVEN:EXIT:FRONT MIDDLE:ASS'Y

19.B2134460 (CHN):SHAFT:PRESSURE ROLLER 201412-06  
 19.D1494459 (x4) (EU/AA/NA/TWN):SHAFT:DRIVEN:EXIT ROLLER 201412-05 X/O  
 6.07200030E RETAINING RING - M3



53.D2024466  
 [A]  
 ROLLER:DRIVEN:EXIT:FRONT MIDDLE:ASS'Y  
 201501-02 X/O

56.D2024459  
 ROLLER:DRIVEN:EXIT:MIDDLE



57.D2024460  
 ARM:ROLLER:DRIVEN:EXIT:FRONT MIDDLE

59.D2024462  
 SPRING PLATE:ROLLER:DRIVEN:EXIT:MIDDLE

3.04583008N  
 HEXAGON HEAD TAPPING SCREW:3 X8



D2024456  
 [A]  
 ROLLER:DRIVEN:EXIT:FRONT MIDDLE:ASS'Y  
 201501-02 X/O

U001	U002	U003	U004	U005	U006	U007	U008	U009	U010	U011	U012	U013	U014	U015	U016	U017
------	------	------	------	------	------	------	------	------	------	------	------	------	------	------	------	------

U011\_S001\_S003

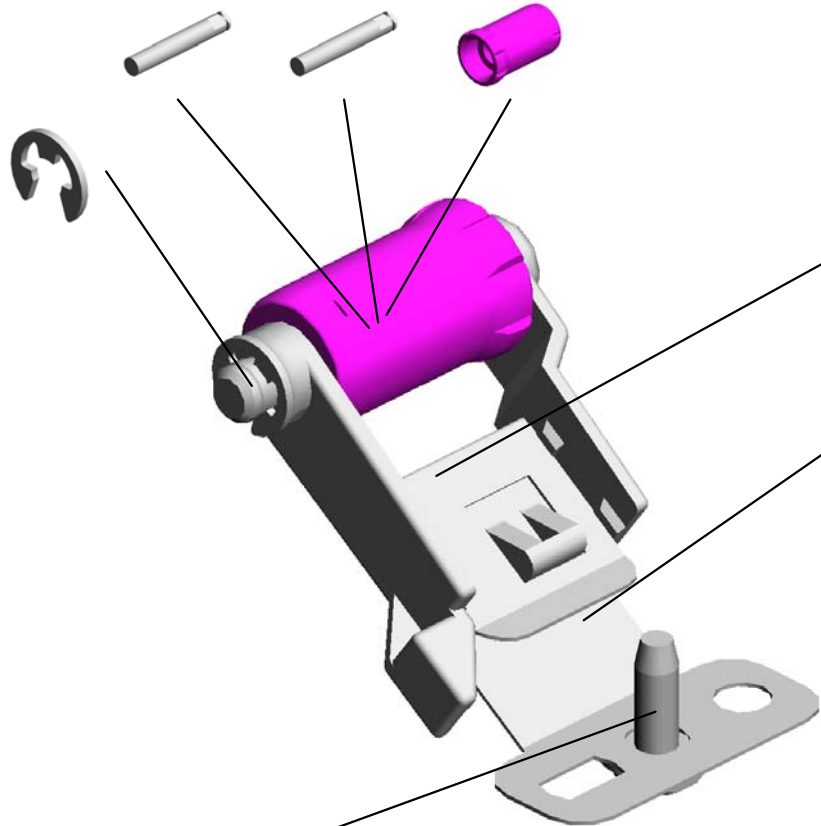
ROLLER:DRIVEN:EXIT:REAR MIDDLE:ASS'Y

19.B2134460 (CHN):SHAFT:PRESSURE ROLLER 201412-06  
 19.D1494459 (x4) (EU/AA/NA/TWN):SHAFT:DRIVEN:EXIT ROLLER 201412-05 X/O  
 56.D2024459 ROLLER:DRIVEN:EXIT:MIDDLE



54.D2024467 [A] ROLLER:DRIVEN:EXIT:REAR MIDDLE:ASS'Y 201501-01 X/O

6.07200030E RETAINING RING - M3



58.D2024461 ARM:ROLLER:DRIVEN:EXIT:REAR MIDDLE

59.D2024462 SPRING PLATE:ROLLER:DRIVEN:EXIT:MIDDLE

3.04583008N HEXAGON HEAD TAPPING SCREW:3 X8

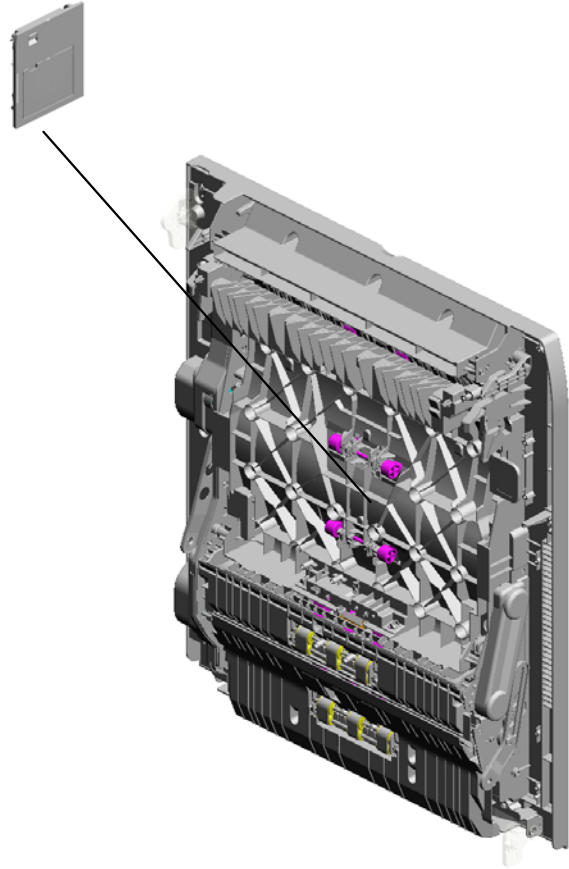


D2024457 [A] ROLLER:DRIVEN:EXIT:REAR MIDDLE:ASS'Y 201501-01 X/O

U001	U002	U003	U004	U005	U006	U007	U008	U009	U010	U011	U012	U013	U014	U015	U016	U017
------	------	------	------	------	------	------	------	------	------	------	------	------	------	------	------	------

# U012.DUPLEX

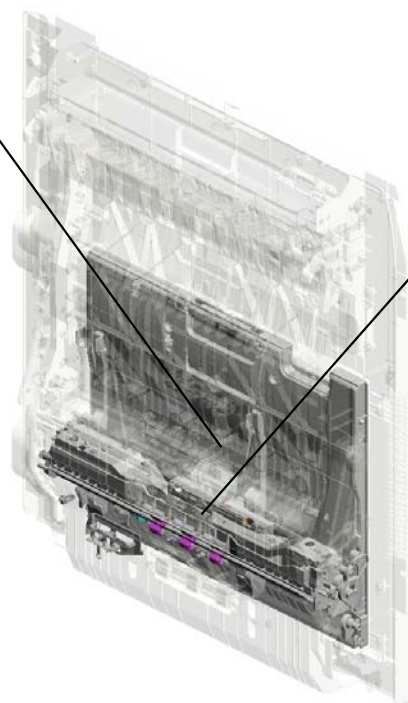
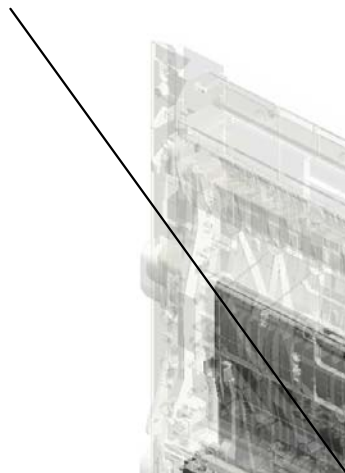
U012 S001  
D2024511  
DUPLEX UNIT:ASSY



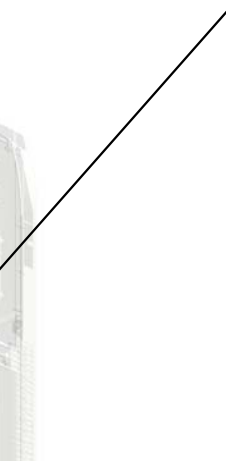
U001	U002	U003	U004	U005	U006	U007	U008	U009	U010	U011	U012	U013	U014	U015	U016	U017
------	------	------	------	------	------	------	------	------	------	------	------	------	------	------	------	------

# U012\_S001.DUPLEX UNIT:ASS'Y

U012\_S001\_S001  
D2022651  
MANUAL FEED TABLE



U012\_S001\_S002  
D2022957  
MANUAL FEED UNIT:ASS'Y

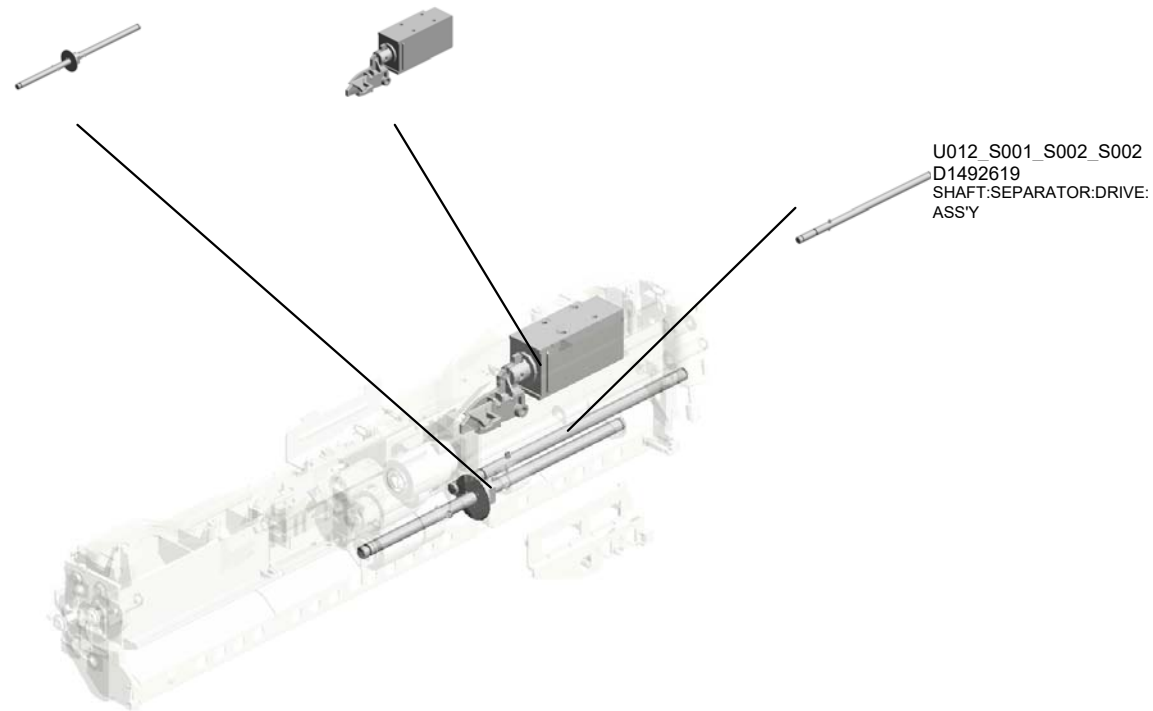


U001	U002	U003	U004	U005	U006	U007	U008	U009	U010	U011	U012	U013	U014	U015	U016	U017
------	------	------	------	------	------	------	------	------	------	------	------	------	------	------	------	------

# U012\_S001\_S002.MANUAL FEED UNIT:ASS'Y

U012\_S001\_S002\_S003  
D1494770  
SHAFT:SEPARATOR:DRIVEN  
:ASS'Y

U012\_S001\_S002\_S001  
D2022612  
DC SOLENOID:PICKUP:ASS'  
Y

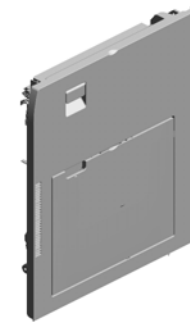


U001	U002	U003	U004	U005	U006	U007	U008	U009	U010	U011	U012	U013	U014	U015	U016	U017
------	------	------	------	------	------	------	------	------	------	------	------	------	------	------	------	------

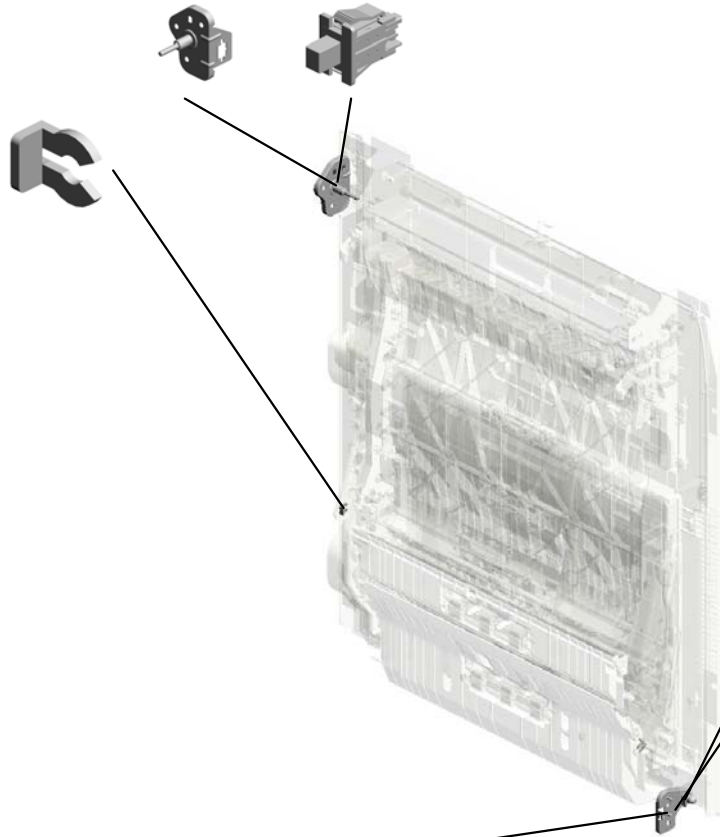
# U012 DUPLEX

177.D2024741  
BRACKET:STUD:L  
EVER

40.AW500040  
PUSH SWITCH:SW  
1AG-550:10MA



19.54472681  
(x2)  
SNAP RING



18.52152621  
SNAP RING - M6

5.04583010N (x 3)  
HEXAGON HEAD TAPPING SCREW:3X  
10



104.D1494755  
BRACKET:HINGE:D  
UPLEX:FRONT



2.04543006Q  
(x2)  
TAPPING SCREW -  
M3X6



U001	U002	U003	U004	U005	U006	U007	U008	U009	U010	U011	U012	U013	U014	U015	U016	U017
------	------	------	------	------	------	------	------	------	------	------	------	------	------	------	------	------

U012\_S001  
 DUPLEX UNIT:ASS'Y

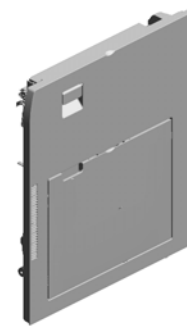
42.AX050349 DC MOTOR:ENCO  
 DER:NO:7W:GEAR:  
 BRUSHLESS

11.07200060E RETAINING RING -  
 M6

20.AA043980 TIMING BELT:30S2  
 M300

38.AW020198 PHOTOINTERRUP  
 TOR:LG2A14NL1

12.08050103 (x4)  
 RETAINING RINGS  
 -E:SILENCER:DIA3



183.D2024511  
 DUPLEX UNIT:ASS'  
 Y

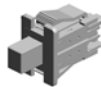
16.11050758  
 (x5)  
 CLAMP:LWSM-030  
 6A



30.AA143807  
 SCREW:A



40.AW500040  
 PUSH SWITCH:SW  
 1AG-550:10MA



14.11050692  
 (x3)  
 CLAMP:LES-0503



2.04543006Q  
 (x7)  
 TAPPING SCREW -  
 M3X6



13.08050104  
 (x6)  
 RETAINING RINGS  
 -E:SILENCER:DIA4



15.11050724  
 CLAMPS:WES-121  
 0



43.AX060464  
 DC MOTOR:ENCO  
 DER:NO:10W:GEA  
 R:BRUSHLESS



24.AA082173  
 (x9)  
 PLAIN SHAFT BEA  
 RING:6X10X6



26.AA083014  
 ONE-WAY CLUTCH



22.AA082170  
 (x2)  
 PLAIN SHAFT BEA  
 RING:DIA4XDIA8X5  
 :EG-1



27.AA083018  
 ROLLER CLUTCH -  
 6X14X10



9.07200030E  
 (x4)  
 RETAINING RING -  
 M3



5.04583010N  
 (x37)  
 HEXAGON HEAD T  
 APPING SCREW:3  
 X10



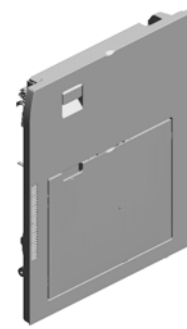
3.04543008Q  
 (x4)  
 TAPPING SCREW:  
 3X8



U001	U002	U003	U004	U005	U006	U007	U008	U009	U010	U011	U012	U013	U014	U015	U016	U017
------	------	------	------	------	------	------	------	------	------	------	------	------	------	------	------	------



# U012\_S001 DUPLEX UNIT:ASS'Y



183.D2024511  
DUPLEX UNIT:ASS'  
Y

83.D1494657 HOOK:STOPPER:DU  
PLEX UNIT:REAR  
49.D0094487 (x2)  
COMPRESSION SP  
RING - GATE  
48.D0094485 (x2)  
BUSHING - GATE  
82.D1494655 GRIP:DUPLEX UNI  
T  
84.D1494658 COIL SPRING:LEV  
ER:DUPLEX

47.D0094455  
(x2)  
CUSHION - DC SO  
LENOID



52.D0394597  
(x4)  
TENSION SPRING:  
DRIVEN ROLLER



77.D1494638  
GUIDE:WIRE



44.B2234552  
(x4)  
BUSHING:DIA4



79.D2024644  
GEAR:MECHANICA  
L ROLLER CLUTCH  
201511-03 X/O



46.D0092574  
(x6)  
PULLEY - IDLER



69.D1492678  
(x2)  
SHAFT:FLAT CONV  
EYER BELT:DRIVE  
N



45.D0092573  
(x6)  
PULLEY - VERTICA  
L TRANSPORT



50.D0292677  
(x6)  
TRANSPORT BELT  
:DRIVEN:VERTICA  
L TRANSPORT



54.D1444489  
(x4)  
STOPPER:DRIVEN  
ROLLER



78.D1494642  
TRANSPORT ROLL  
ER:DUPLEX:1



85.D1494672  
(x4)  
COMPRESSION SP  
RING:DRIVEN



51.D0394529  
STOPPER:GUIDE P  
LATE:ROLLER:DRI  
VEN



81.D1494646  
SYNCHRONOUS B  
ELT:30S2M262



80.D1494645  
SYNCHRONOUS B  
ELT:30S2M118



U001	U002	U003	U004	U005	U006	U007	U008	U009	U010	U011	U012	U013	U014	U015	U016	U017
------	------	------	------	------	------	------	------	------	------	------	------	------	------	------	------	------

U012\_S001  
 DUPLEX UNIT:ASS'Y

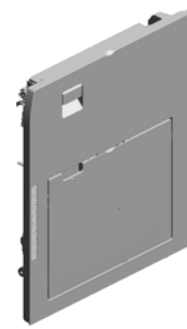
89.D1494688  
 LINK:DUPLEX:MAIN

90.D1494690  
 TORSION SPRING:LINK

86.D1494675  
 COVER:PUSH SWITCH

106.D1494762  
 DRIVEN ROLLER:DRIVEN

114.D1754654  
 SHAFT:LEVER:LOCK



183.D2024511  
 DUPLEX UNIT:ASS'Y

95.D1494710  
 GEAR:IDLER



92.D2024717  
 GEAR:FEED:MANUAL FEED:DRIVE  
 201511-04 X/O



94.D2024719  
 GEAR:TRANSPORT ROLLER:MANUAL FEED  
 201511-06 X/O



87.D1484681  
 BRACKET:MOTOR:PEEN  
 201504-01 O/O



93.D2024718  
 GEAR:SEPARATOR:MANUAL FEED:DRIVE  
 201511-05 X/O



88.D1494684  
 (x2)  
 GEAR:OUTPUT



142.D2022691  
 GUIDE PLATE:VERTICAL TRANSPORT:NO.1:DRIVEN



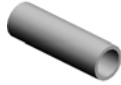
103.D1494737  
 (x4)  
 PLAIN SHAFT BEARING:DUPLX:EXIT



111.D1494779  
 TRANSPORT ROLLER:EXIT:DIA8



110.D1494777  
 (x4)  
 COMPRESSION SPRING:FLAT CONVEYER BELT:DRIVEN



97.D1494715  
 DECAL:GRIP:Z

105.D1494761  
 (x2)  
 DRIVEN ROLLER:DRIVEN



107.D1494765  
 (x2)  
 PULLEY:T26



108.D1494766  
 PULLEY:T26/T26

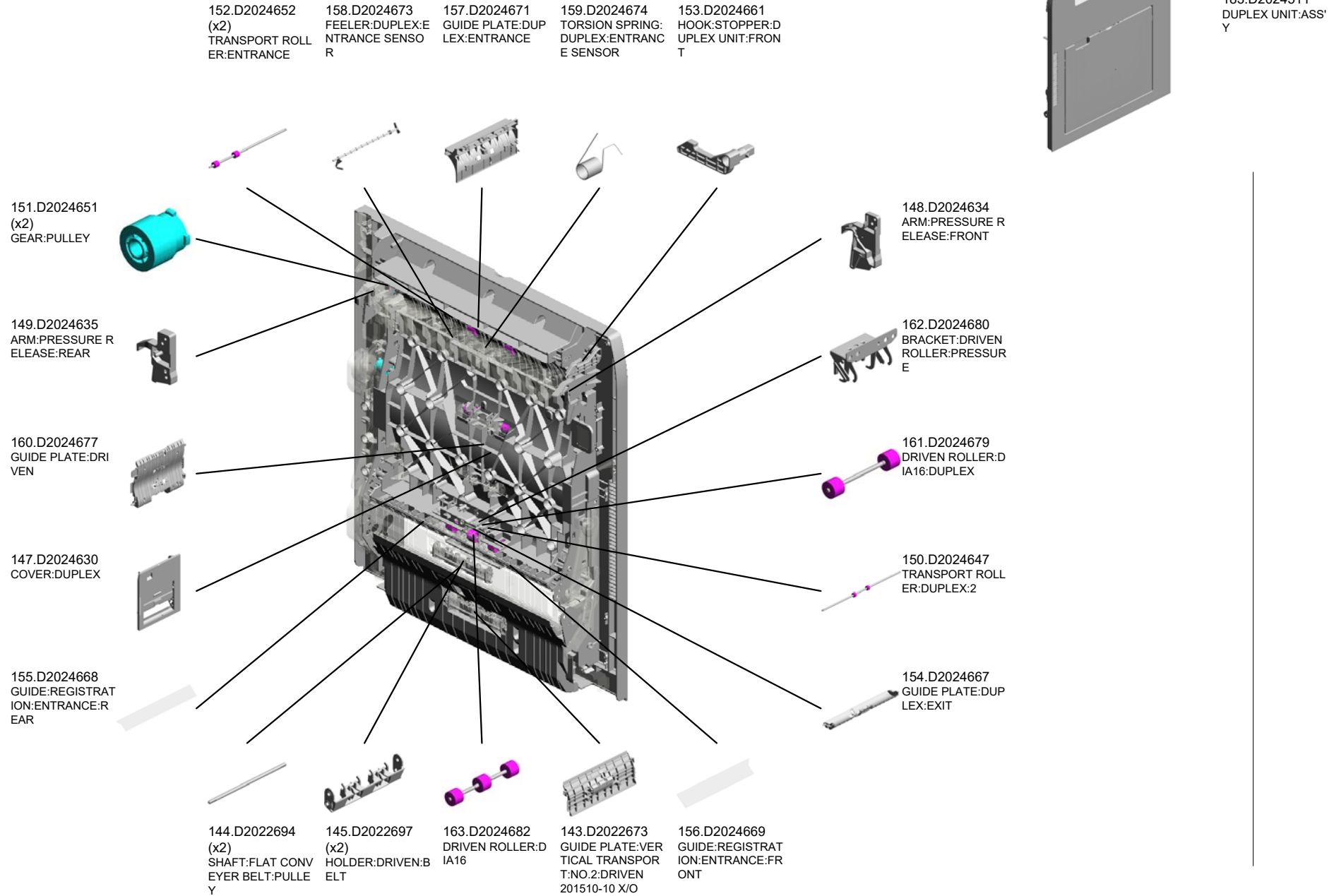


91.D1494695  
 LINK:FRONT



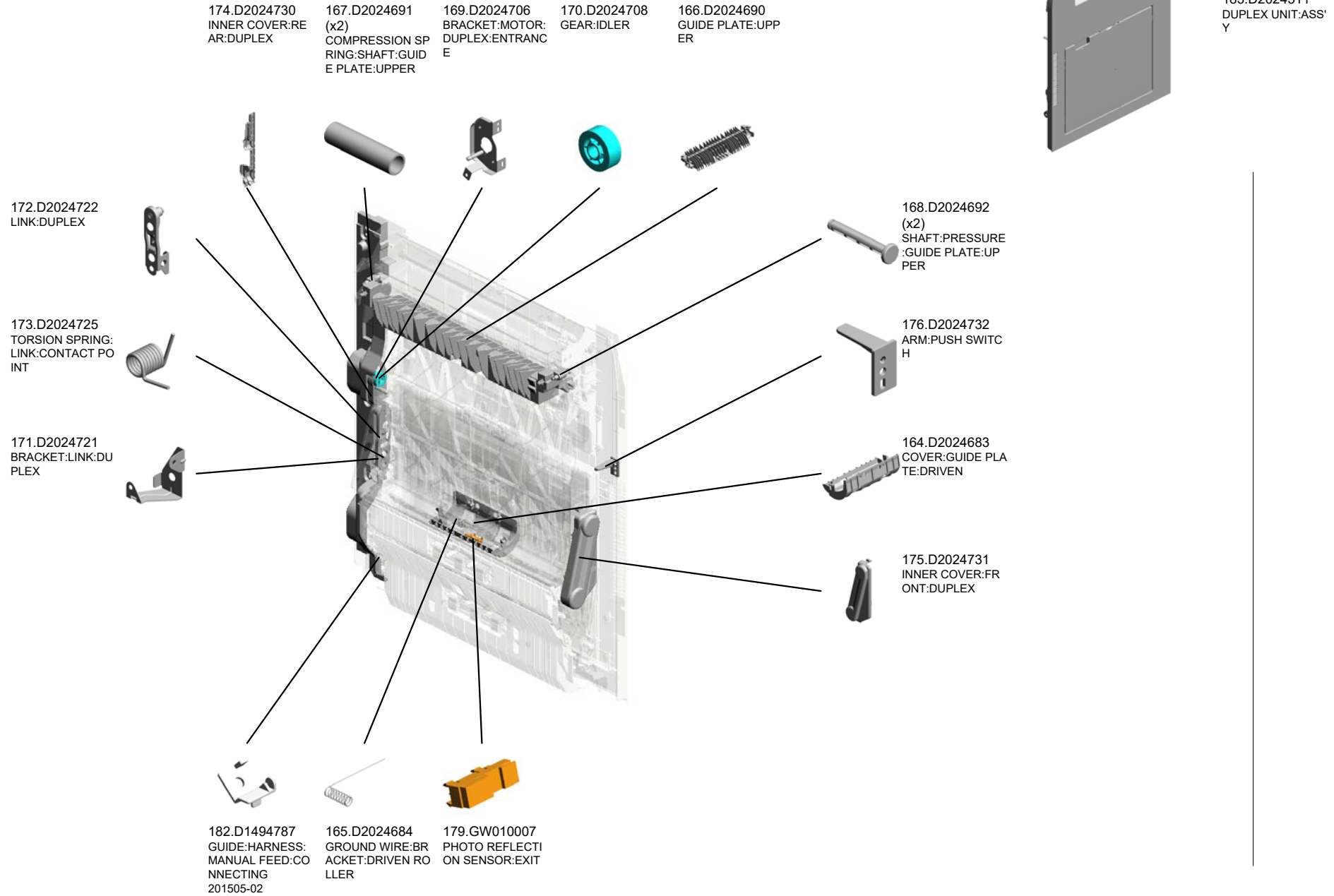
U001	U002	U003	U004	U005	U006	U007	U008	U009	U010	U011	U012	U013	U014	U015	U016	U017
------	------	------	------	------	------	------	------	------	------	------	------	------	------	------	------	------

# U012\_S001 DUPLEX UNIT:ASS'Y



U001	U002	U003	U004	U005	U006	U007	U008	U009	U010	U011	U012	U013	U014	U015	U016	U017
------	------	------	------	------	------	------	------	------	------	------	------	------	------	------	------	------

U012\_S001  
 DUPLEX UNIT:ASS'Y



U001	U002	U003	U004	U005	U006	U007	U008	U009	U010	U011	U012	U013	U014	U015	U016	U017
------	------	------	------	------	------	------	------	------	------	------	------	------	------	------	------	------

# U012\_S001\_S001 MANUAL FEED TABLE

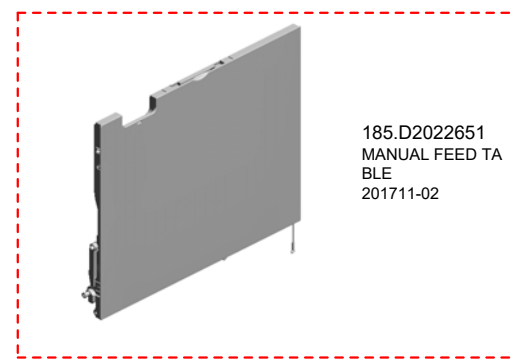
100.D1494720  
PLATE:SIDE FENC  
E:REAR

73.D1492688  
TENSION SPRING:  
WIRE

101.D1494721  
TORSION SPRING:  
SIDE FENCE:REAR

75.D1492693  
(x2)  
STOPPER:MANUA  
L FEED TABLE

39.AW020224  
PHOTOINTERRUP  
TOR:GP1A173LCS  
VF  
201605-02 X/O



185.D2022651  
MANUAL FEED TA  
BLE  
201711-02

13.08050104  
(x5)  
RETAINING RINGS  
-E:SILENCER:DIA4

96.D1494711  
DECAL:SIDE FENC  
E:MANUAL FEED

72.D1492686  
WIRE:MANUAL FE  
ED TABLE:TC075

71.D1492684  
ARM:MANUAL FEE  
D:REAR LOWER

1.03530030N  
SCREW:M3X3

6.04593008N  
(x6)  
BINDING HEAD TA  
PPING SCREW:3X  
8

34.AF013016  
BOTTOM PLATE P  
AD

41.AW500042  
ROTARY SWITCH:  
PAPER SIZE SENS  
OR:CW

113.D1502666  
GEAR:SIDE FENCE  
:MANUAL FEED TA  
BLE

70.D1492683  
ARM:MANUAL FEE  
D:FRONT LOWER

76.D1492694  
(x2)  
COMPRESSION SP  
RING:STOPPER:M  
ANUAL FEED TABL  
E

98.D1494717  
PLATE:SIDE FENC  
E:FRONT

99.D1494718  
TORSION SPRING:  
SIDE FENCE:FRON  
T

102.D1494731  
(x2)  
COMPRESSION SP  
RING:RACK:MANU  
AL FEED

74.D1492692  
ARM:MANUAL FEE  
D:FRONT UPPER

U001	U002	U003	U004	U005	U006	U007	U008	U009	U010	U011	U012	U013	U014	U015	U016	U017
------	------	------	------	------	------	------	------	------	------	------	------	------	------	------	------	------

# U012\_S001\_S001 MANUAL FEED TABLE

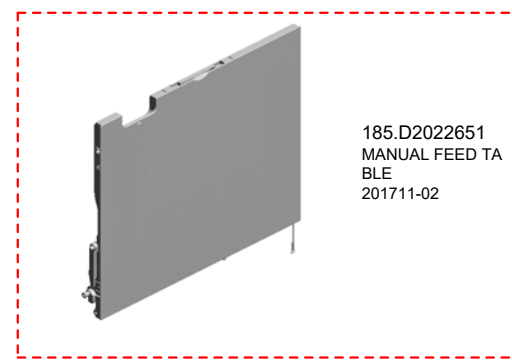
141.D2412685  
DECAL:PAPER SE  
T DIRECTION:MAN  
UAL FEED  
201602-03 O/O

129.D2022638  
FEELER:PAPER SI  
ZE SENSOR:MANU  
AL FEED

139.D2022676  
DECAL:SCALE:MA  
NUAL FEED:MIDDL  
E

132.D2022641  
EXTENSION TRAY:  
NO.2

131.D2022640  
EXTENSION TRAY:  
NO.1



185.D2022651  
MANUAL FEED TA  
BLE  
201711-02

140.D2022677  
DECAL:SCALE:MA  
NUAL FEED:REAR



133.D2022642  
PULLEY:WIRE:MA  
NUAL FEED TABLE



127.D2022633  
SIDE FENCE:REAR



134.D2022646  
ARM:MANUAL FEE  
D:REAR UPPER



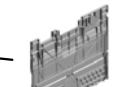
138.D2022675  
DECAL:SCALE:MA  
NUAL FEED:FRON  
T



130.D2022669  
COVER:MANUAL F  
EED TABLE  
201510-07 X/O



125.D2022670  
MANUAL FEED TA  
BLE  
201510-05 X/O



180.M0662743  
FRICTION PAD:MA  
NUAL FEED TABLE  
:18X7.5



126.D2022631  
SIDE FENCE:FRON  
T



128.D2022634  
(x2)  
RACK:MANUAL FE  
ED



137.D2022658  
(x2)  
SHEET:RACK:MAN  
UAL FEED



184.D1494706  
PIN:ARM:FRONT L  
OWER  
201711-01



# U012\_S001\_S002 MANUAL FEED UNIT:ASS'Y

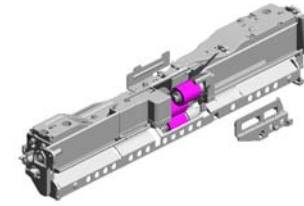
35.AF030049  
PICK-UP ROLLER

33.AB011252  
GEAR - 20Z

22.AA082170  
PLAIN SHAFT BEA  
RING:DIA4XDIA8X5  
:EG-1

4.04583008N  
(x2)  
HEXAGON HEAD T  
APPING SCREW:3  
X8

1.03530030N  
(x2)  
SCREW:M3X3



146.D2022957  
[A]  
MANUAL FEED UNI  
T:ASS'Y  
201507-03 X/O

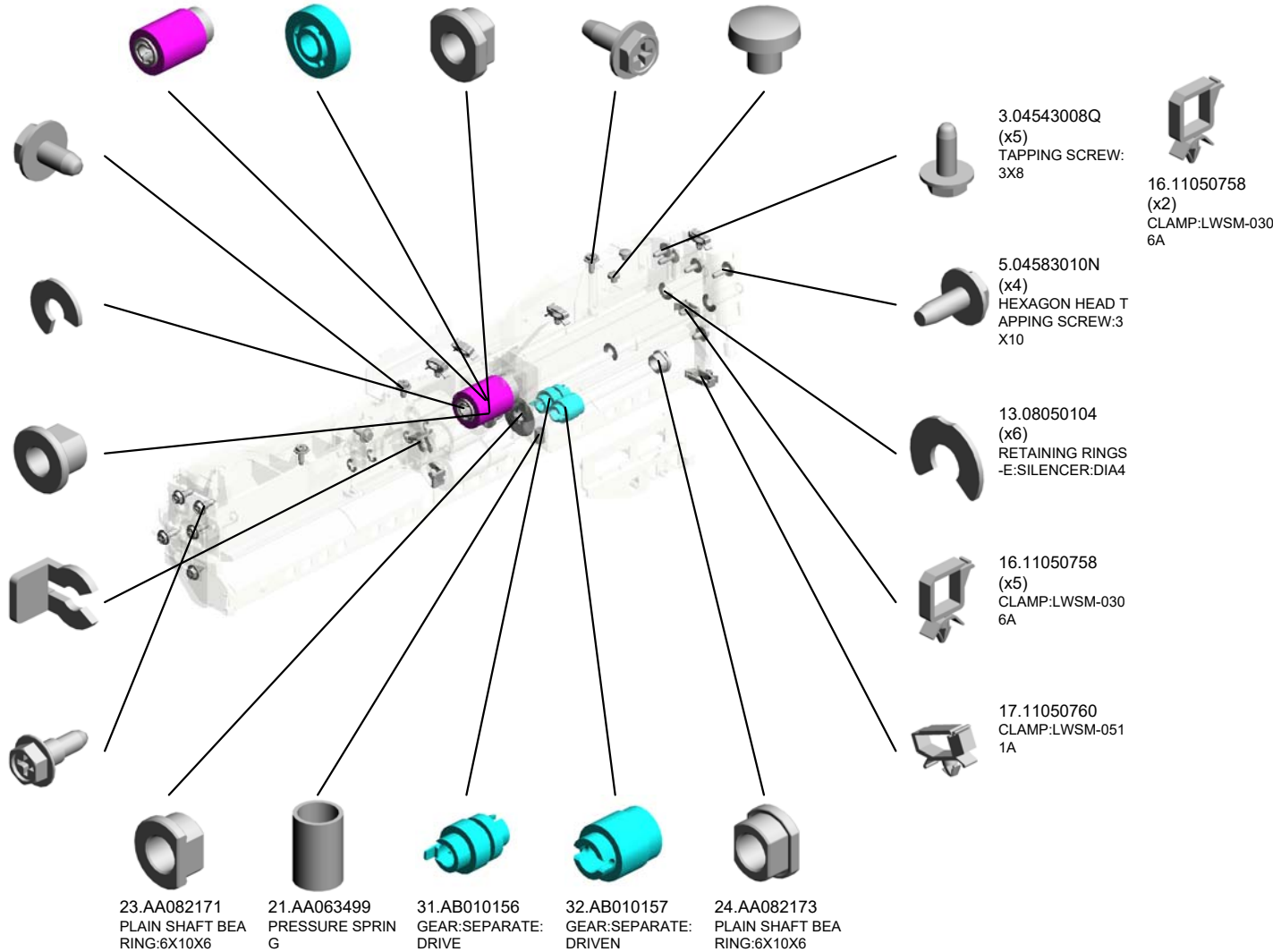
2.04543006Q  
TAPPING SCREW -  
M3X6

12.08050103  
(x6)  
RETAINING RINGS  
-E:SILENCER:DIA3

25.AA082187  
BUSHING:DIA6XDI  
A10X9:EG-1

28.AA100014  
(x2)  
RETAINING RING  
C - SEPARATE

29.AA143579  
(x2)  
SCREW - M3



23.AA082171  
PLAIN SHAFT BEA  
RING:6X10X6

21.AA063499  
PRESSURE SPRIN  
G

31.AB010156  
GEAR:SEPARATE:  
DRIVE

32.AB010157  
GEAR:SEPARATE:  
DRIVEN

24.AA082173  
PLAIN SHAFT BEA  
RING:6X10X6

3.04543008Q  
(x5)  
TAPPING SCREW:  
3X8

5.04583010N  
(x4)  
HEXAGON HEAD T  
APPING SCREW:3  
X10

13.08050104  
(x6)  
RETAINING RINGS  
-E:SILENCER:DIA4

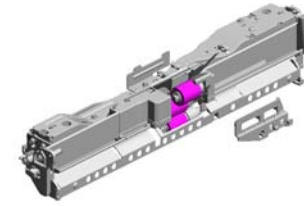
16.11050758  
(x5)  
CLAMP:LWSM-030  
6A

17.11050760  
CLAMP:LWSM-051  
1A

16.11050758  
(x2)  
CLAMP:LWSM-030  
6A

U001	U002	U003	U004	U005	U006	U007	U008	U009	U010	U011	U012	U013	U014	U015	U016	U017
------	------	------	------	------	------	------	------	------	------	------	------	------	------	------	------	------

# U012\_S001\_S002 MANUAL FEED UNIT:ASS'Y



146.D2022957  
[A]  
MANUAL FEED UNI  
T:ASS'Y  
201507-03 X/O

112.D1494815 GUIDE PLATE:SEPARATOR:ASS'Y  
68.D1492658 COVER:PAPER FEED ROLLER  
65.D1492652 GROUND PLATE:SHAFT:FEED  
116.D2022614 COIL SPRING:RELEASE:PICKUP:MANUAL FEED  
64.D1492644 TORSION SPRING:LINK:PAPER STOPPER

39.AW020224 PHOTO INTERRUPTOR:GP1A173LCS VF 201605-02 X/O



56.D1492613 SHAFT:GRIP:DRIVEN



66.D1492655 FEELER:PAPER END SENSOR



57.D1492614 (x2) TENSION SPRING:GRIP:PRESSURE



55.D1492612 (x3) ROLLER:GRIP:DRIVEN



67.D1492656 TORSION SPRING:PAPER END SENSOR



36.AF031046 FEED ROLLER - MANUAL FEED



37.AF032046 SEPARATION ROLLER - MANUAL FEED



53.D1292783 TORQUE LIMITER MECHANICAL CLUTCH:40MMM:DIA18



62.D1492639 SHAFT:PAPER STOPPER



60.D1492635 TRANSPORT ROLLER:MANUAL FEED



59.D1492633 SHAFT:FEED:MANUAL FEED



63.D1492642 SHAFT:LINK:PAPER STOPPER



117.D2022616 COVER:PAPER STOPPER:MANUAL FEED



61.D1492638 LINK:PAPER STOPPER:MANUAL FEED



U001	U002	U003	U004	U005	U006	U007	U008	U009	U010	U011	U012	U013	U014	U015	U016	U017
------	------	------	------	------	------	------	------	------	------	------	------	------	------	------	------	------



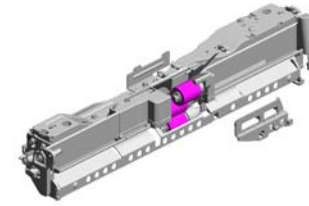
U012\_S001\_S002  
MANUAL FEED UNIT:ASS'Y

118.D2022617  
ARM:PICKUP:MAN  
UAL FEED

178.D2024802  
PAPER STOPPER:  
MANUAL FEED  
201507-05 X/O

119.D2022618  
SHEET:PICKUP

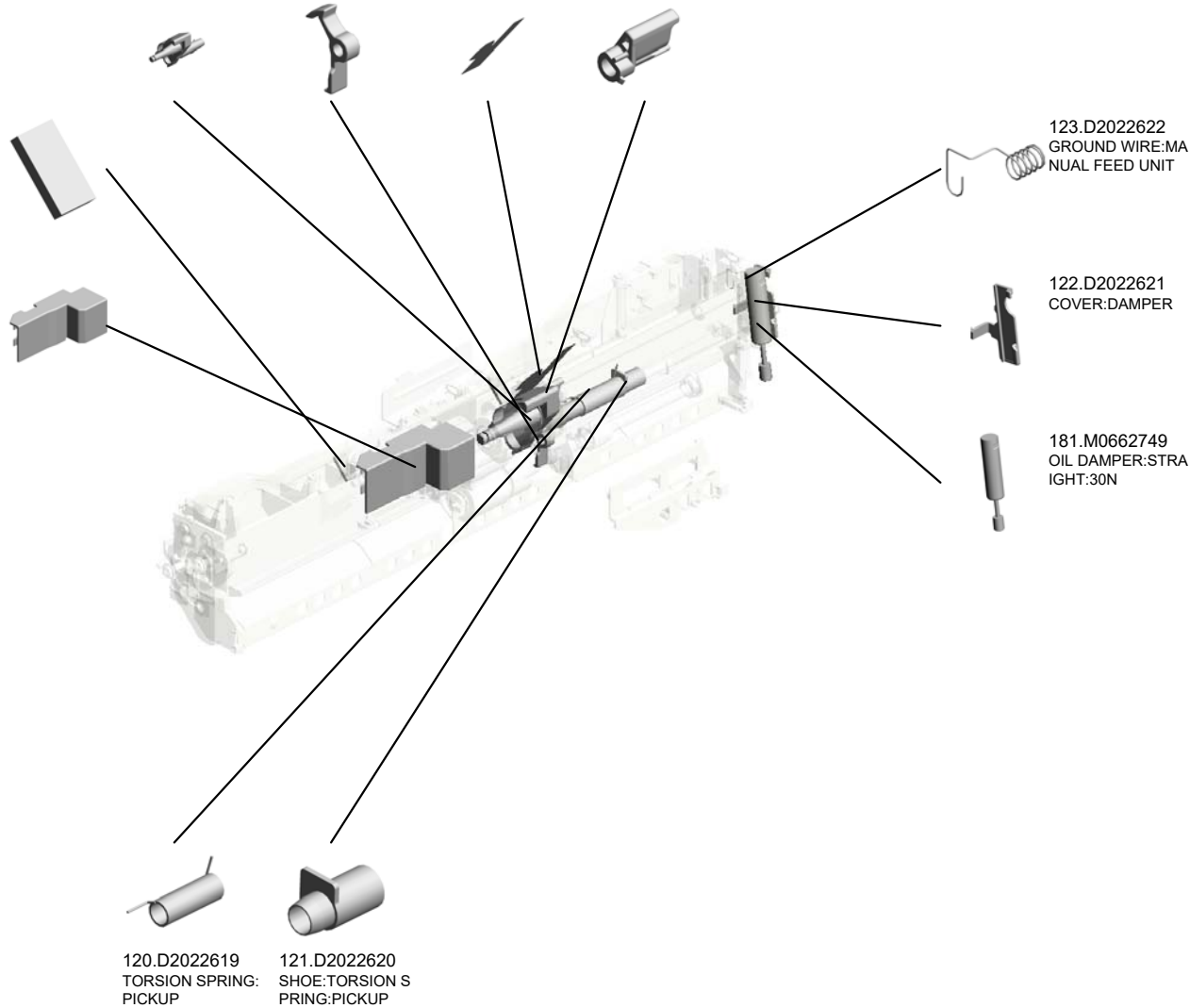
135.D2022653  
ARM:LINK:PAPER  
STOPPER



146.D2022957  
[A]  
MANUAL FEED UNI  
T:ASS'Y  
201507-03 X/O

136.D2022654  
(x2)  
CUSHION:GUIDE P  
LATE:SEPARATOR

124.D2022624  
COVER:PAPER EN  
D



120.D2022619  
TORSION SPRING:  
PICKUP

121.D2022620  
SHOE:TORSION S  
PRING:PICKUP

123.D2022622  
GROUND WIRE:MA  
NUAL FEED UNIT

122.D2022621  
COVER:DAMPER

181.M0662749  
OIL DAMPER:STRA  
IGHT:30N

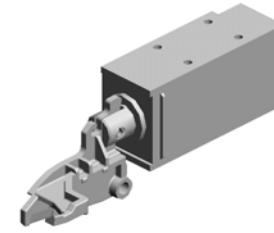


D2022955  
[A]  
MANUAL FEED UNI  
T:ASS'Y  
201507-03 X/O

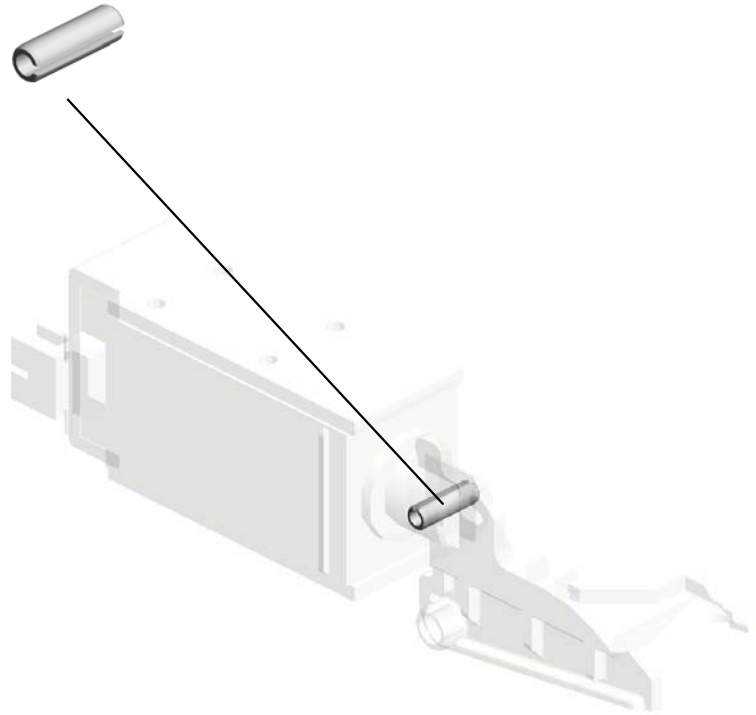
U001	U002	U003	U004	U005	U006	U007	U008	U009	U010	U011	U012	U013	U014	U015	U016	U017
------	------	------	------	------	------	------	------	------	------	------	------	------	------	------	------	------

U012\_S001\_S002\_S001  
DC SOLENOID: PICKUP: ASS'Y

8.06230100E  
SPRING PIN - 3X10  
MM



115.D2022612  
DC SOLENOID: PICKUP: ASS'Y

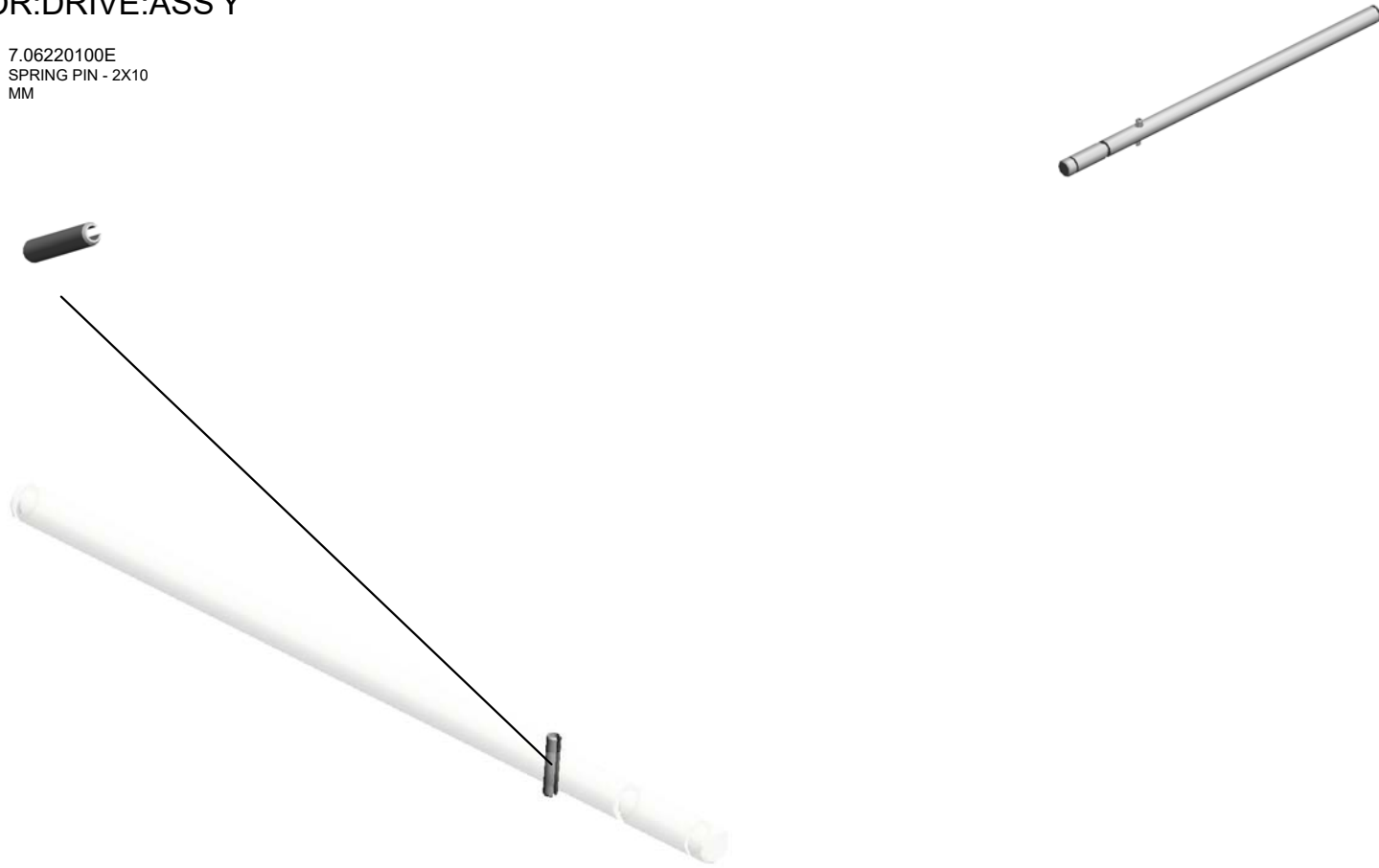


U001	U002	U003	U004	U005	U006	U007	U008	U009	U010	U011	U012	U013	U014	U015	U016	U017
------	------	------	------	------	------	------	------	------	------	------	------	------	------	------	------	------

U012\_S001\_S002\_S002  
SHAFT:SEPARATOR:DRIVE:ASS'Y

7.06220100E  
SPRING PIN - 2X10  
MM

58.D1492619  
SHAFT:SEPARATO  
R:DRIVE:ASS'Y

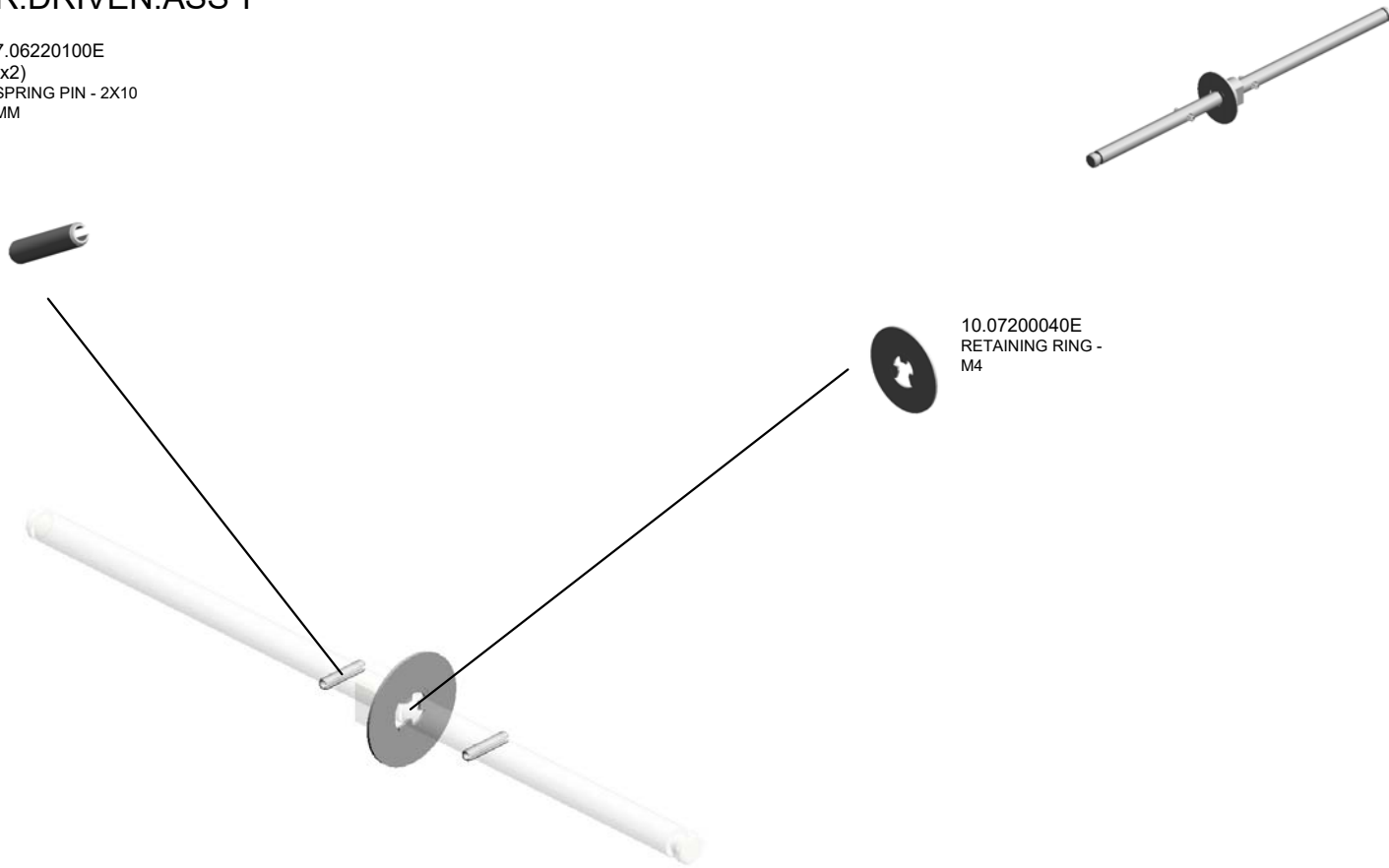


U001	U002	U003	U004	U005	U006	U007	U008	U009	U010	U011	U012	U013	U014	U015	U016	U017
------	------	------	------	------	------	------	------	------	------	------	------	------	------	------	------	------

U012\_S001\_S002\_S003  
SHAFT:SEPARATOR:DRIVEN:ASS'Y

7.06220100E  
(x2)  
SPRING PIN - 2X10  
MM

109.D1494770  
SHAFT:SEPARATO  
R:DRIVEN:ASS'Y



10.07200040E  
RETAINING RING -  
M4

U001	U002	U003	U004	U005	U006	U007	U008	U009	U010	U011	U012	U013	U014	U015	U016	U017
------	------	------	------	------	------	------	------	------	------	------	------	------	------	------	------	------

# U013.MAIN DRIVE

U013\_S001  
D2021105  
DRIVE UNIT:ENGINE:ASS'Y

U013\_S003  
D2021193  
STUD:PAPER FEED:GRIP:AS  
S'Y

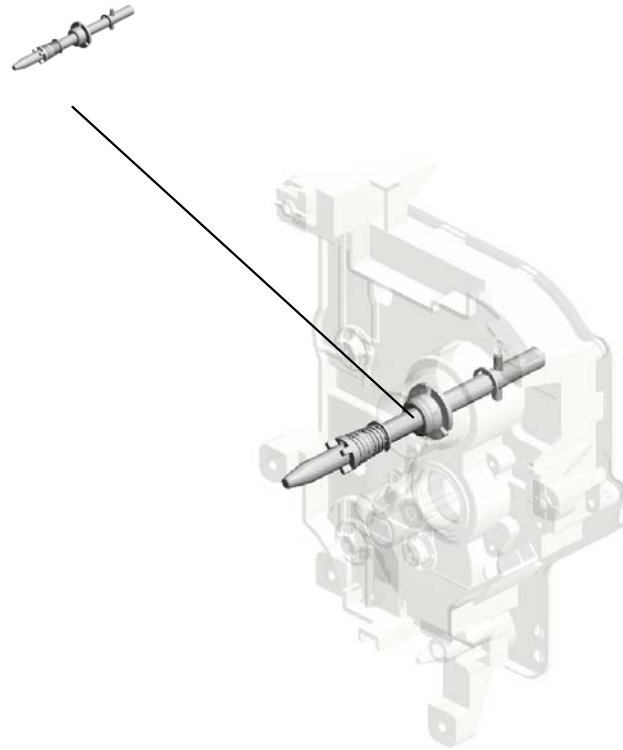
U013\_S002  
D2021152  
BRACKET:DRIVE UNIT:PAPE  
R FEED:ASS'Y

U013\_S004  
D2021193  
STUD:PAPER FEED:GRIP:AS  
S'Y

U001	U002	U003	U004	U005	U006	U007	U008	U009	U010	U011	U012	U013	U014	U015	U016	U017
------	------	------	------	------	------	------	------	------	------	------	------	------	------	------	------	------

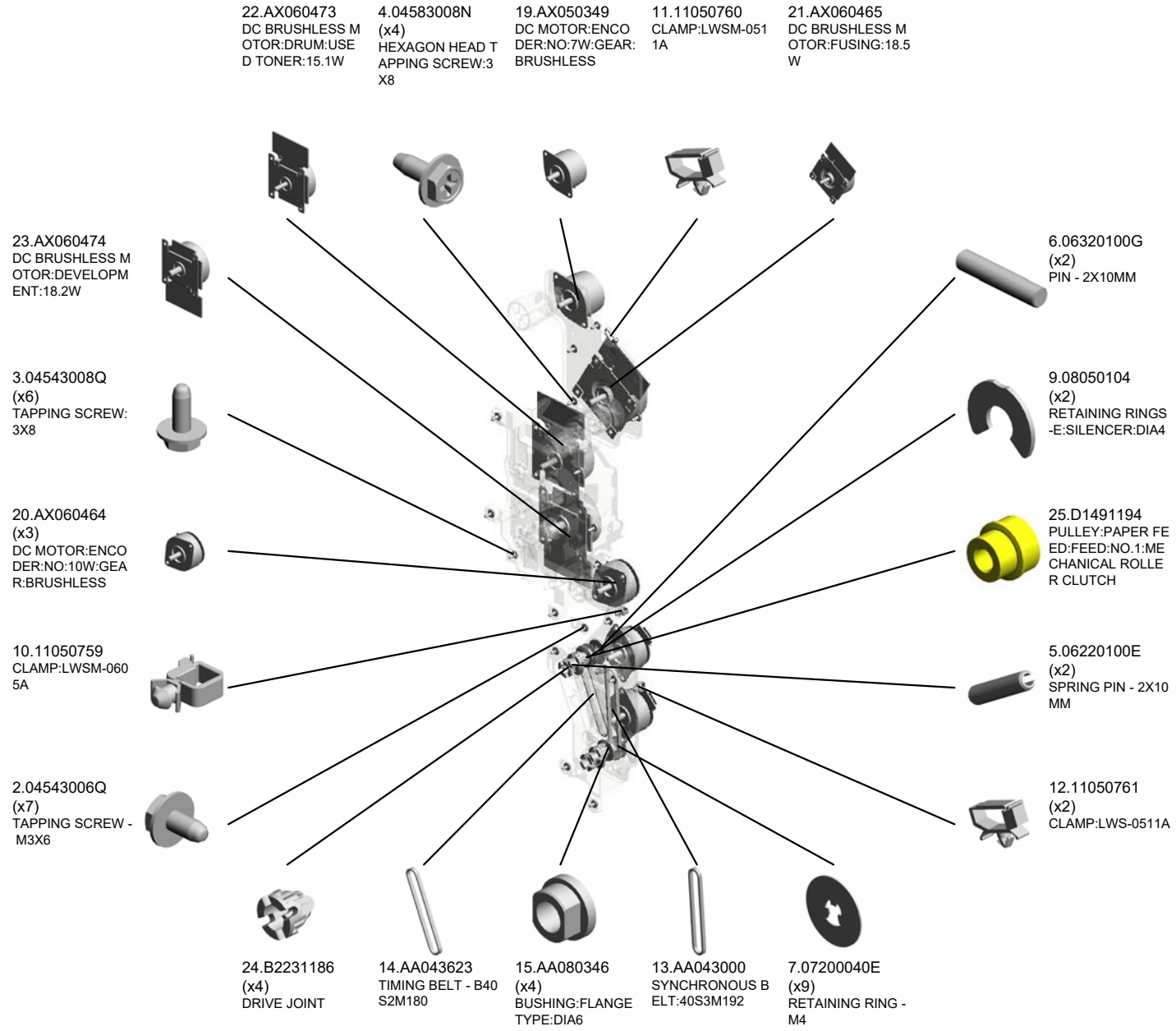
# U013\_S001.DRIVE UNIT:ENGINE:ASS'Y

U013 S001 S001  
D2021128  
SHAFT:DRIVE:DRUM:ASS'Y



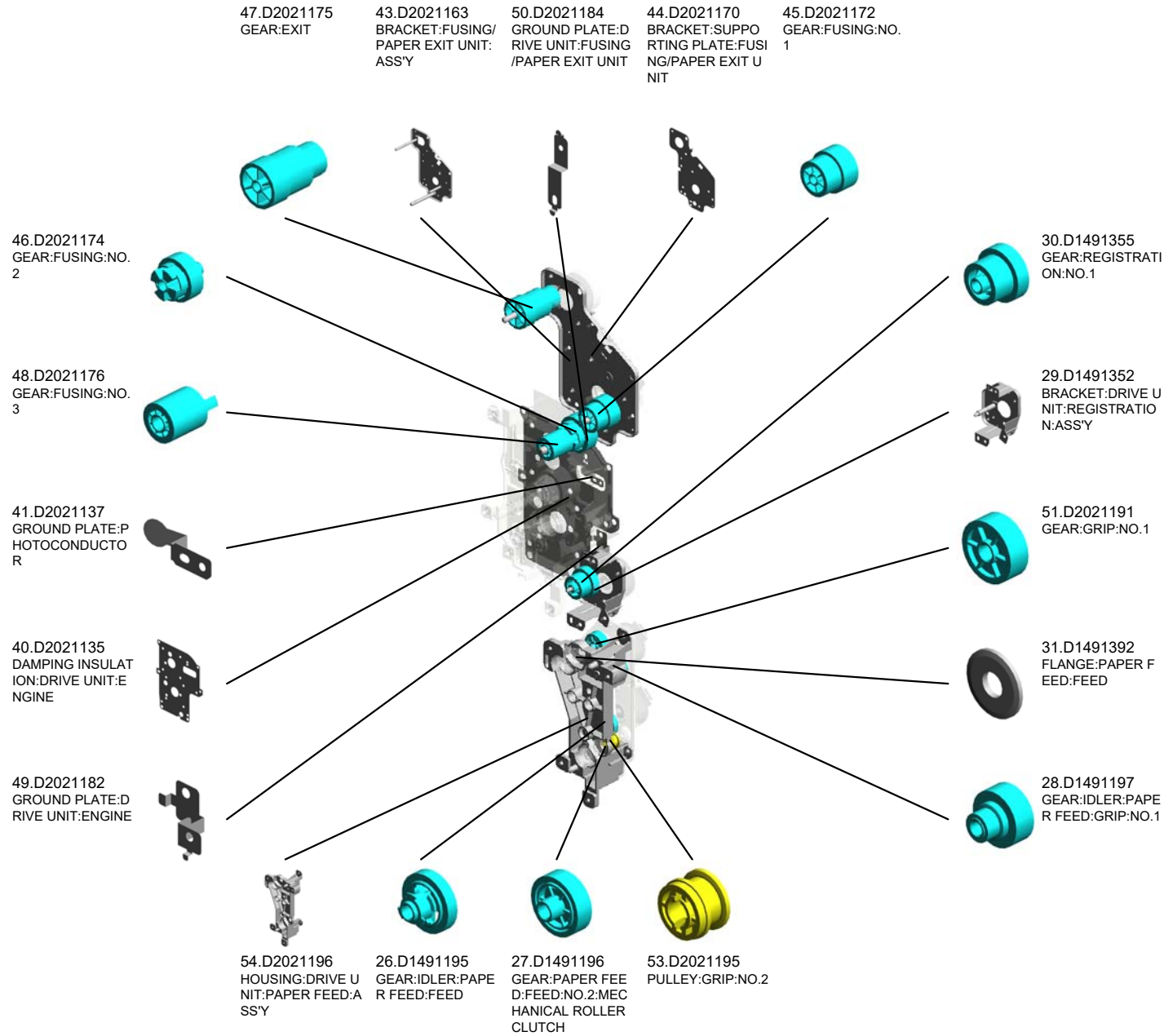
U001	U002	U003	U004	U005	U006	U007	U008	U009	U010	U011	U012	U013	U014	U015	U016	U017
------	------	------	------	------	------	------	------	------	------	------	------	------	------	------	------	------

# U013 MAIN DRIVE



U001	U002	U003	U004	U005	U006	U007	U008	U009	U010	U011	U012	<b>U013</b>	U014	U015	U016	U017
------	------	------	------	------	------	------	------	------	------	------	------	-------------	------	------	------	------

# U013 MAIN DRIVE

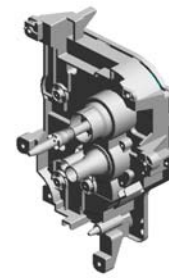


U001	U002	U003	U004	U005	U006	U007	U008	U009	U010	U011	U012	<b>U013</b>	U014	U015	U016	U017
------	------	------	------	------	------	------	------	------	------	------	------	-------------	------	------	------	------



U013\_S001  
DRIVE UNIT:ENGINE:ASS'Y

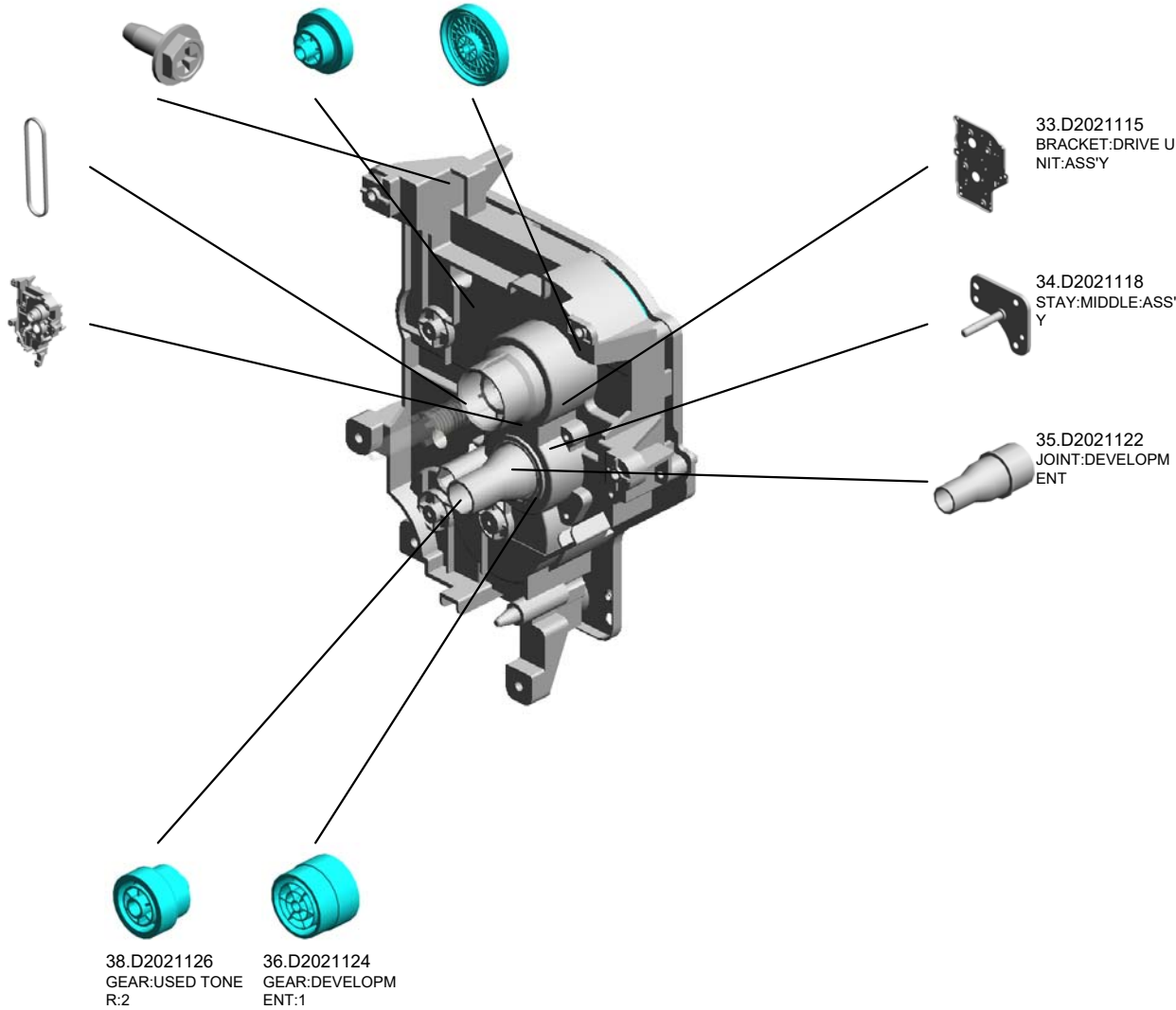
4.04583008N (x10)  
HEXAGON HEAD TAPPING SCREW:3 X8  
37.D2021125 GEAR:USED TONE R:1  
18.AB010170 GEAR:DRUM



56.D2021105  
DRIVE UNIT:ENGINE:ASS'Y

55.D6883529  
TIMING BELT:B40S 2M224

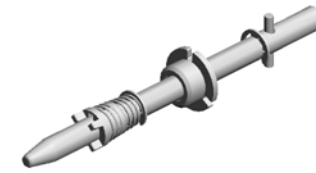
32.D2021108  
HOUSING:ASS'Y



U001	U002	U003	U004	U005	U006	U007	U008	U009	U010	U011	U012	U013	U014	U015	U016	U017
------	------	------	------	------	------	------	------	------	------	------	------	------	------	------	------	------

U013\_S001\_S001  
SHAFT:DRIVE:DRUM:ASS'Y

8.07200060E  
(x3)  
RETAINING RING -  
M6



39.D2021128  
SHAFT:DRIVE:DRU  
M:ASS'Y



U001	U002	U003	U004	U005	U006	U007	U008	U009	U010	U011	U012	U013	U014	U015	U016	U017
------	------	------	------	------	------	------	------	------	------	------	------	------	------	------	------	------

U013\_S002  
BRACKET:DRIVE UNIT:PAPER FEED:ASS'Y

17.AA082173  
(x2)  
PLAIN SHAFT BEA  
RING:6X10X6



16.AA082170  
(x2)  
PLAIN SHAFT BEA  
RING:DIA4XDIA8X5  
:EG-1

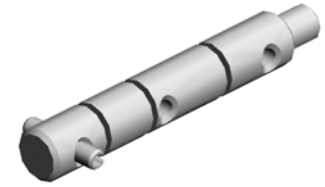


42.D2021152  
BRACKET:DRIVE U  
NIT:PAPER FEED:A  
SS'Y

U001	U002	U003	U004	U005	U006	U007	U008	U009	U010	U011	U012	U013	U014	U015	U016	U017
------	------	------	------	------	------	------	------	------	------	------	------	------	------	------	------	------

U013\_S003  
STUD:PAPER FEED:GRIP:ASS'Y

5.06220100E  
SPRING PIN - 2X10  
MM



52.D2021193  
STUD:PAPER FEE  
D:GRIP:ASS'Y

U001	U002	U003	U004	U005	U006	U007	U008	U009	U010	U011	U012	U013	U014	U015	U016	U017
------	------	------	------	------	------	------	------	------	------	------	------	------	------	------	------	------

U013\_S004  
STUD:PAPER FEED:GRIP:ASS'Y

5.06220100E  
SPRING PIN - 2X10  
MM



52.D2021193  
STUD:PAPER FEE  
D:GRIP:ASS'Y



U001	U002	U003	U004	U005	U006	U007	U008	U009	U010	U011	U012	U013	U014	U015	U016	U017
------	------	------	------	------	------	------	------	------	------	------	------	------	------	------	------	------

# U014.ELECTRICAL

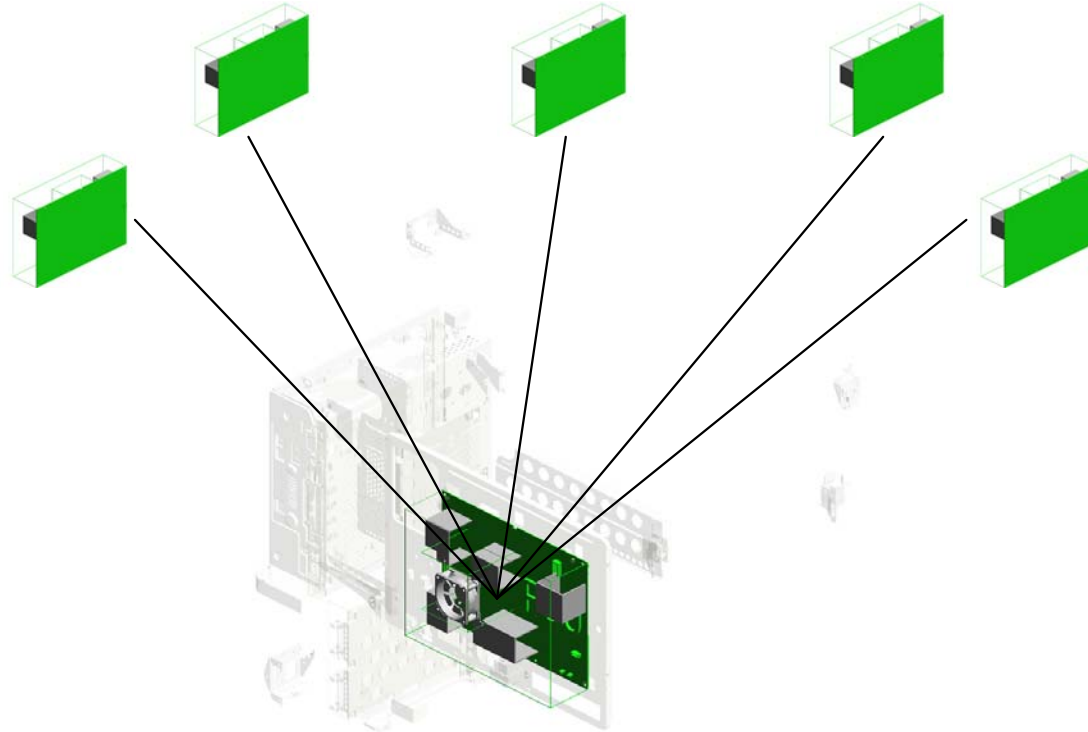
U014\_S001  
AZ230276  
(NA):(TWN):POWER SUPPLY  
UNIT

U014\_S002  
AZ230276  
(NA):(TWN):POWER SUPPLY  
UNIT

U014\_S003  
AZ230280  
(CHN):POWER SUPPLY UNIT

U014\_S005  
AZ230278  
(EU):(AA/KOR):POWER SUP  
PLY UNIT

U014\_S004  
AZ230278  
(EU):(AA/KOR):POWER SUP  
PLY UNIT



U001	U002	U003	U004	U005	U006	U007	U008	U009	U010	U011	U012	U013	U014	U015	U016	U017
------	------	------	------	------	------	------	------	------	------	------	------	------	------	------	------	------

# U014 ELECTRICAL

3.03603008N  
SCREW:M3X8

14.11050725  
CLAMPS:WES-111  
7

13.11050699  
SPECER:SQ-12

15.11050726  
(x2)  
CLAMPS:WES-221  
7

10.11029782  
CONNECTOR:5140  
5-1819



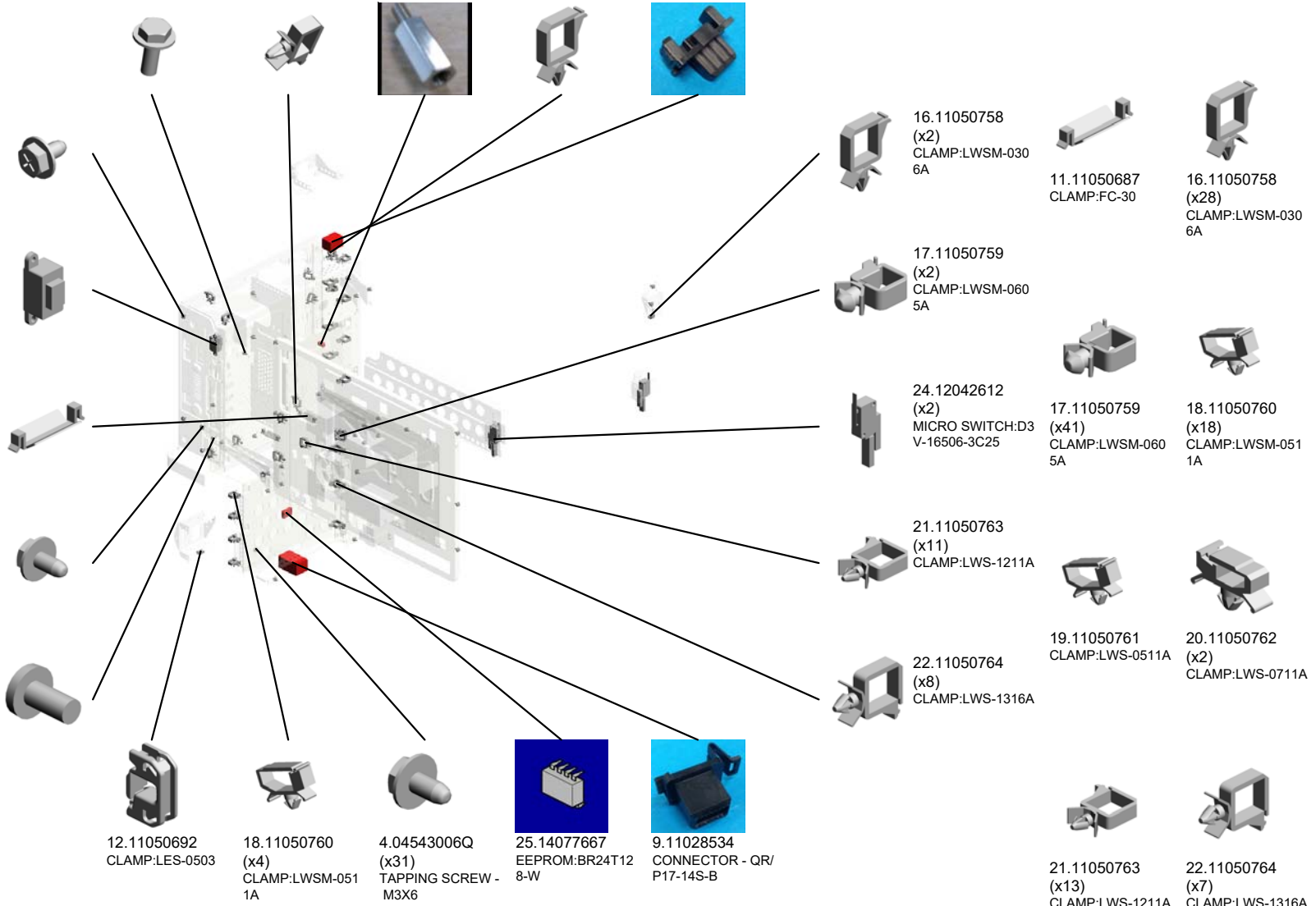
5.04543008N  
(x4)  
TAPPING SCREW:  
ROUND POINT:3X8

8.11028502  
CONNECTOR - 546  
79-1615

11.11050687  
(x2)  
CLAMP:FC-30

2.03603006N  
(x3)  
SCREW - M3X6

1.03530060N  
BIND SCREW - M3  
X6



12.11050692  
CLAMP:LES-0503

18.11050760  
(x4)  
CLAMP:LWSM-051  
1A

4.04543006Q  
(x31)  
TAPPING SCREW -  
M3X6

25.14077667  
EEPROM:BR24T12  
8-W

9.11028534  
CONNECTOR - QR/  
P17-14S-B

16.11050758  
(x2)  
CLAMP:LWSM-030  
6A

11.11050687  
CLAMP:FC-30

16.11050758  
(x28)  
CLAMP:LWSM-030  
6A

17.11050759  
(x2)  
CLAMP:LWSM-060  
5A

24.12042612  
(x2)  
MICRO SWITCH:D3  
V-16506-3C25

17.11050759  
(x41)  
CLAMP:LWSM-060  
5A

18.11050760  
(x18)  
CLAMP:LWSM-051  
1A

21.11050763  
(x11)  
CLAMP:LWS-1211A

19.11050761  
CLAMP:LWS-0511A

20.11050762  
(x2)  
CLAMP:LWS-0711A

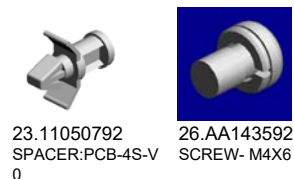
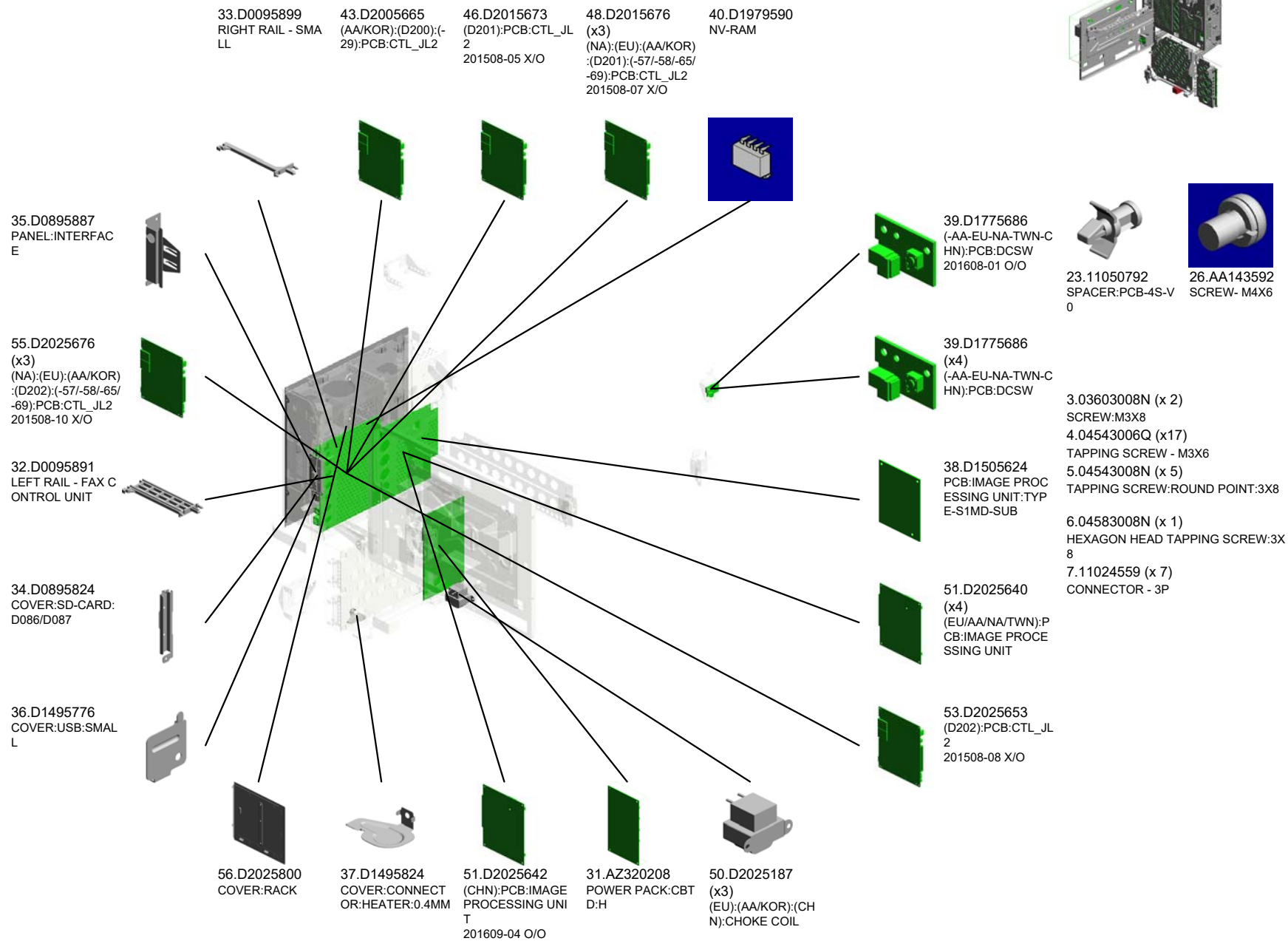
22.11050764  
(x8)  
CLAMP:LWS-1316A

21.11050763  
(x13)  
CLAMP:LWS-1211A

22.11050764  
(x7)  
CLAMP:LWS-1316A

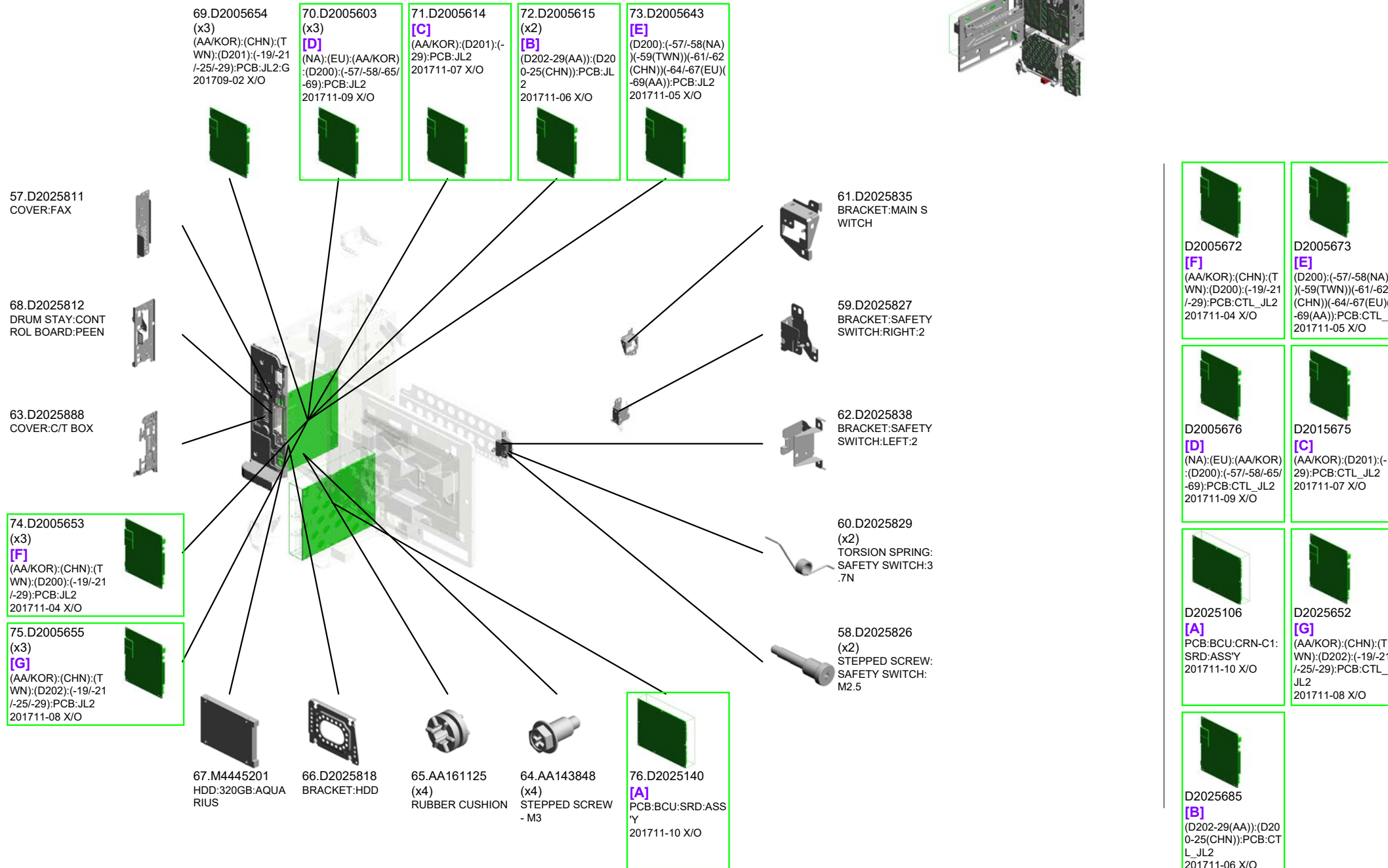
U001	U002	U003	U004	U005	U006	U007	U008	U009	U010	U011	U012	U013	<b>U014</b>	U015	U016	U017
------	------	------	------	------	------	------	------	------	------	------	------	------	-------------	------	------	------

# U014 ELECTRICAL





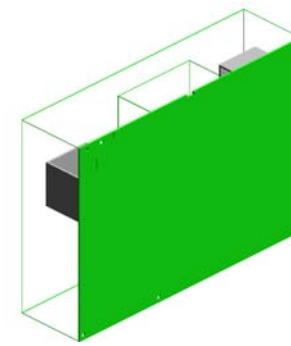
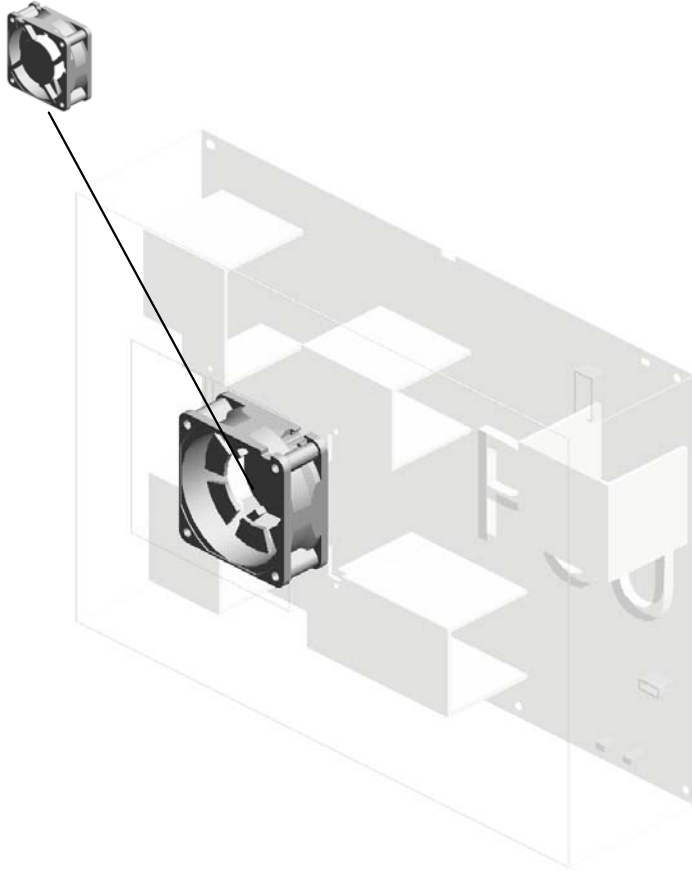
# U014 ELECTRICAL



U001	U002	U003	U004	U005	U006	U007	U008	U009	U010	U011	U012	U013	<b>U014</b>	U015	U016	U017
------	------	------	------	------	------	------	------	------	------	------	------	------	-------------	------	------	------

U014\_S001  
(NA):(TWN):POWER SUPPLY UNIT

27.AX640219  
DC FAN MOTOR:D  
C24V:MM60:25MM

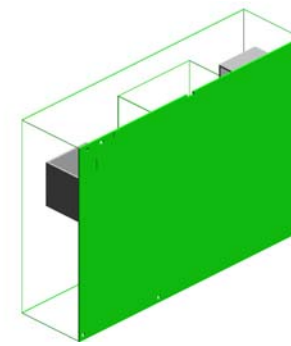
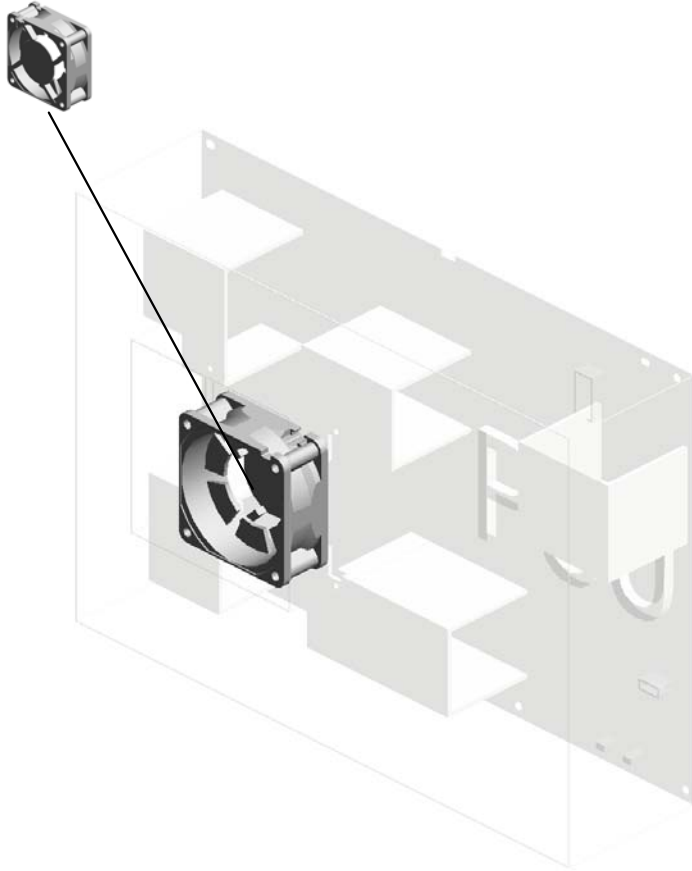


28.AZ230276  
(NA):(TWN):POWE  
R SUPPLY UNIT

U001	U002	U003	U004	U005	U006	U007	U008	U009	U010	U011	U012	U013	U014	U015	U016	U017
------	------	------	------	------	------	------	------	------	------	------	------	------	------	------	------	------

U014\_S002  
(NA):(TWN):POWER SUPPLY UNIT

27.AX640219  
DC FAN MOTOR:D  
C24V:MM60:25MM

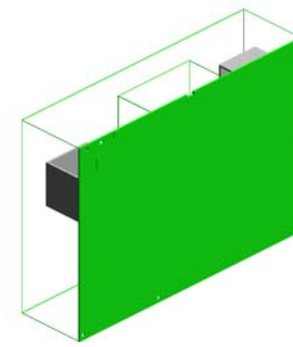
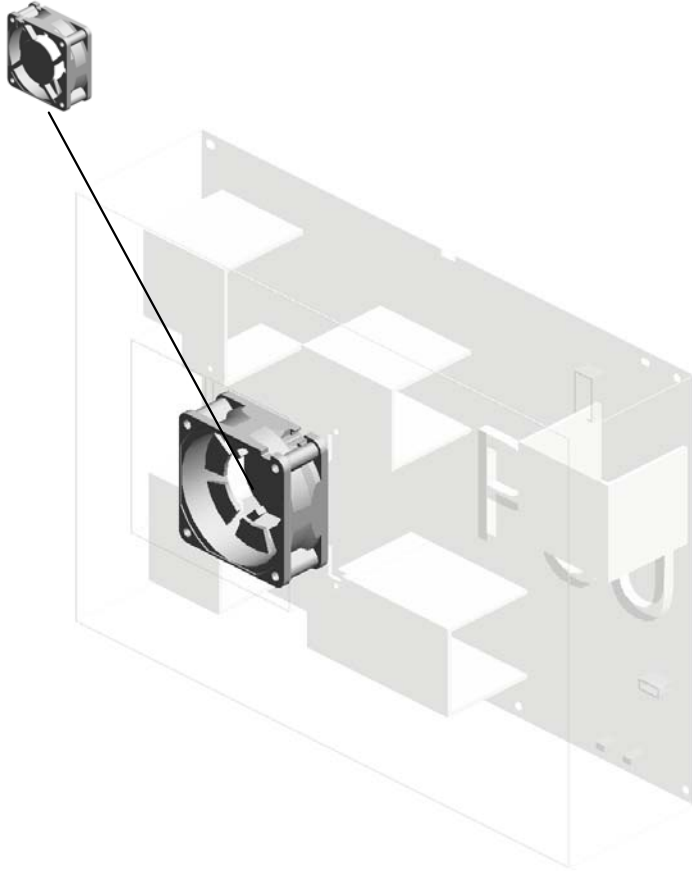


28.AZ230276  
(NA):(TWN):POWE  
R SUPPLY UNIT

U001	U002	U003	U004	U005	U006	U007	U008	U009	U010	U011	U012	U013	U014	U015	U016	U017
------	------	------	------	------	------	------	------	------	------	------	------	------	------	------	------	------

U014\_S003  
(CHN):POWER SUPPLY UNIT

27.AX640219  
DC FAN MOTOR:D  
C24V:MM60:25MM

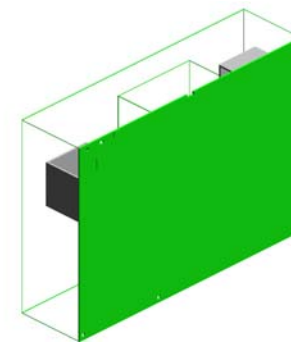
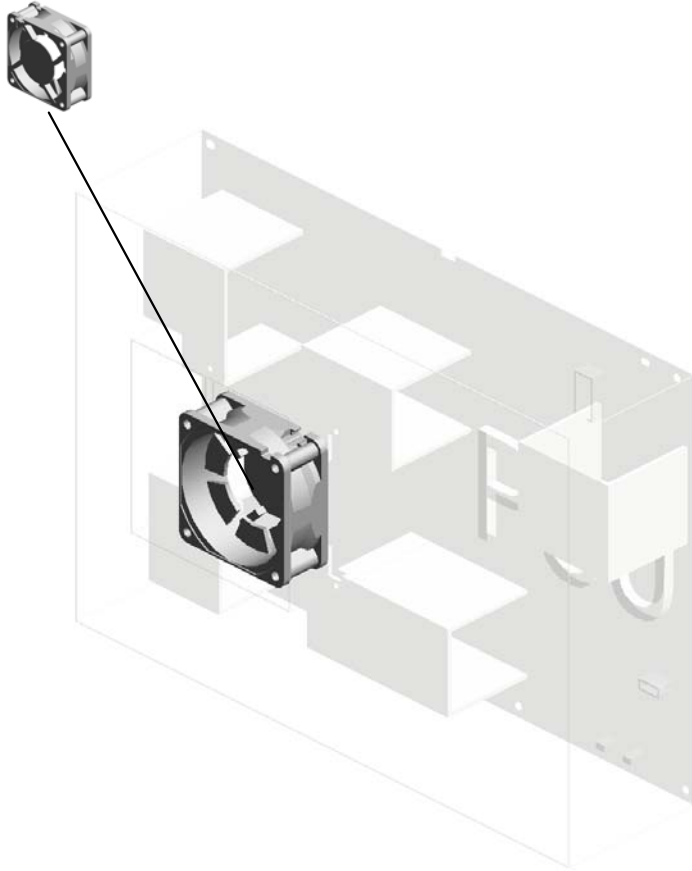


30.AZ230280  
(CHN):POWER SU  
PPLY UNIT

U001	U002	U003	U004	U005	U006	U007	U008	U009	U010	U011	U012	U013	U014	U015	U016	U017
------	------	------	------	------	------	------	------	------	------	------	------	------	------	------	------	------

U014\_S004  
(EU):(AA/KOR):POWER SUPPLY UNIT

27.AX640219  
DC FAN MOTOR:D  
C24V:MM60:25MM

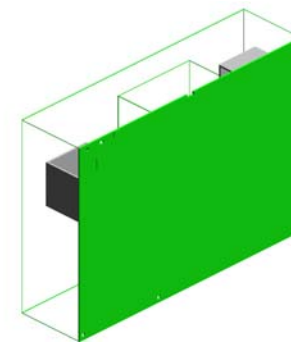
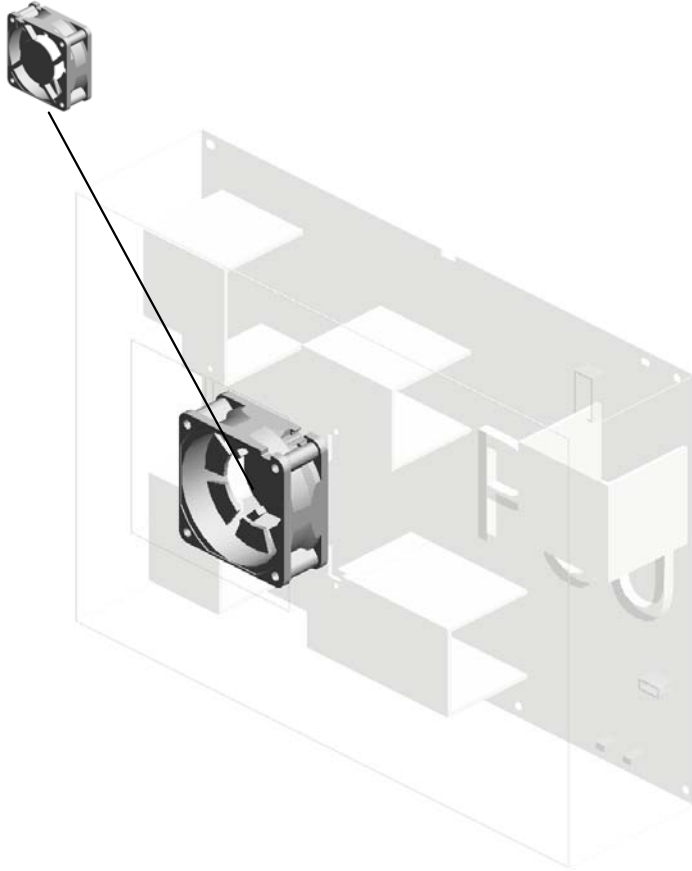


29.AZ230278  
(EU):(AA/KOR):PO  
WER SUPPLY UNI  
T

U001	U002	U003	U004	U005	U006	U007	U008	U009	U010	U011	U012	U013	U014	U015	U016	U017
------	------	------	------	------	------	------	------	------	------	------	------	------	------	------	------	------

U014\_S005  
(EU):(AA/KOR):POWER SUPPLY UNIT

27.AX640219  
DC FAN MOTOR:D  
C24V:MM60:25MM

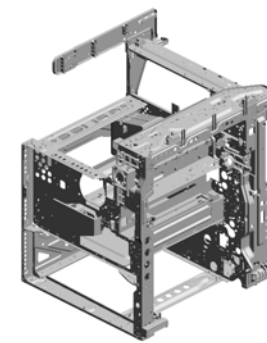


29.AZ230278  
(EU):(AA/KOR):PO  
WER SUPPLY UNI  
T

U001	U002	U003	U004	U005	U006	U007	U008	U009	U010	U011	U012	U013	U014	U015	U016	U017
------	------	------	------	------	------	------	------	------	------	------	------	------	------	------	------	------

# U015 MAIN FRAME

23.D1497961 DUCT:PAPER:COO LING:A  
 22.D1494755 BRACKET:HINGE:D UPLEX:FRONT  
 8.04543008Q (x15) TAPPING SCREW: 3X8  
 19.AX640231 (x2) DC FAN MOTOR:A XIAL:MM80:25MM  
 7.04543008N TAPPING SCREW: ROUND POINT:3X8



9.04583008N (x6) HEXAGON HEAD TAPPING SCREW:3 X8



10.04583010N (x21) HEXAGON HEAD TAPPING SCREW:3 X10



4.04533008N BINDING SELF TAPPING SCREW:3X8



18.AX640219 DC FAN MOTOR:D C24V:MM60:25MM



12.11050758 CLAMP:LWSM-030 6A



5.04543005Q (x28) TAPPING SCREW: 3X5

20.B2381088 COVER - CONNEC TOR

21.B2381089 COVER - POSITIO NING PIN

6.04543006Q (x186) TAPPING SCREW - M3X6

16.AA143816 (x2) FLAT SCREW:CHU CK:BOTTLE

3.04513006N (x6) TAPPING SCREW - 3X6



12.11050758 CLAMP:LWSM-030 6A



15.11050769 CLAMP:FGCS-5

2.04503025N (x 2) TAPPING SCREW:3X25  
 3.04513006N (x 1) TAPPING SCREW - 3X6  
 6.04543006Q (x 6) TAPPING SCREW - M3X6  
 8.04543008Q (x 5) TAPPING SCREW:3X8  
 11.11024559 (x 1) CONNECTOR - 3P

14.11050761 CLAMP:LWS-0511A

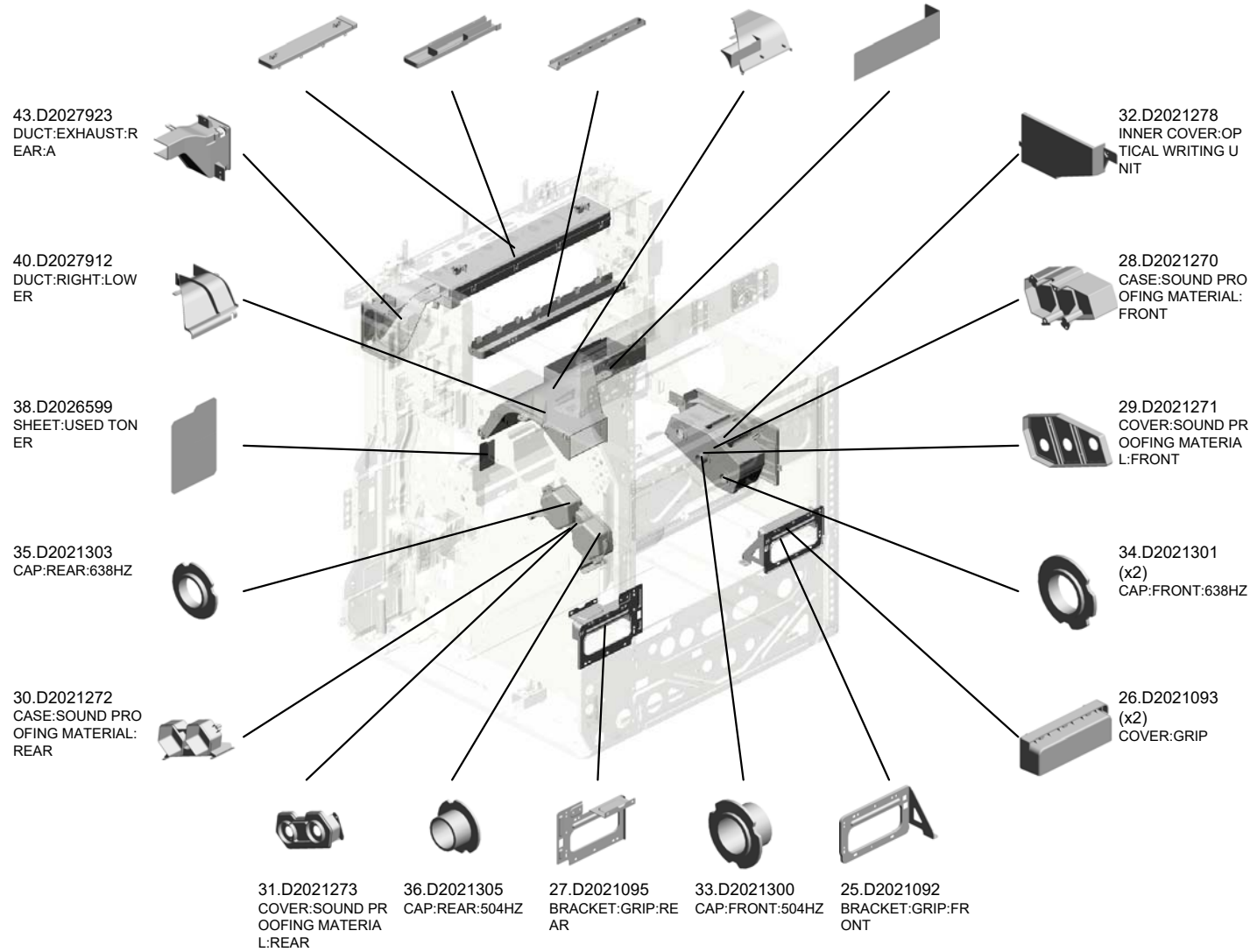
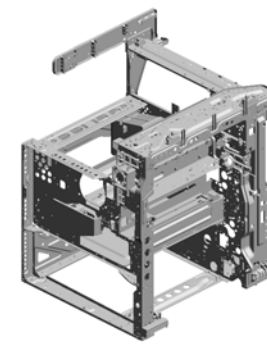
17.AH010015 RUBBER FOOT:H5: DIA29

13.11050760 CLAMP:LWSM-051 1A

U001	U002	U003	U004	U005	U006	U007	U008	U009	U010	U011	U012	U013	U014	U015	U016	U017
------	------	------	------	------	------	------	------	------	------	------	------	------	------	------	------	------

# U015 MAIN FRAME

41.D2027921 DUCT:EXHAUST:UPPER:C  
 42.D2027922 DUCT:EXHAUST:UPPER:D  
 24.D1497962 DUCT:PAPER:COOLING:B  
 39.D2027911 DUCT:RIGHT:UPPER:RAIL  
 37.D2026598 SHEET:RAIL



U001	U002	U003	U004	U005	U006	U007	U008	U009	U010	U011	U012	U013	U014	<b>U015</b>	U016	U017
------	------	------	------	------	------	------	------	------	------	------	------	------	------	-------------	------	------



# U015 MAIN FRAME

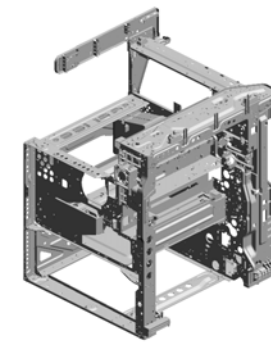
46.D2027926  
SEAL:EXHAUST:R  
EAR:B

44.D2017924  
DUCT:EXHAUST:R  
EAR:B  
201607-03 O/O

53.D2027961  
THERMISTOR:290  
MM

57.D2027996  
FILTER:DUCT:DEV  
ELOPMENT

58.GX640031  
FAN MOTOR:DC:2.  
64W

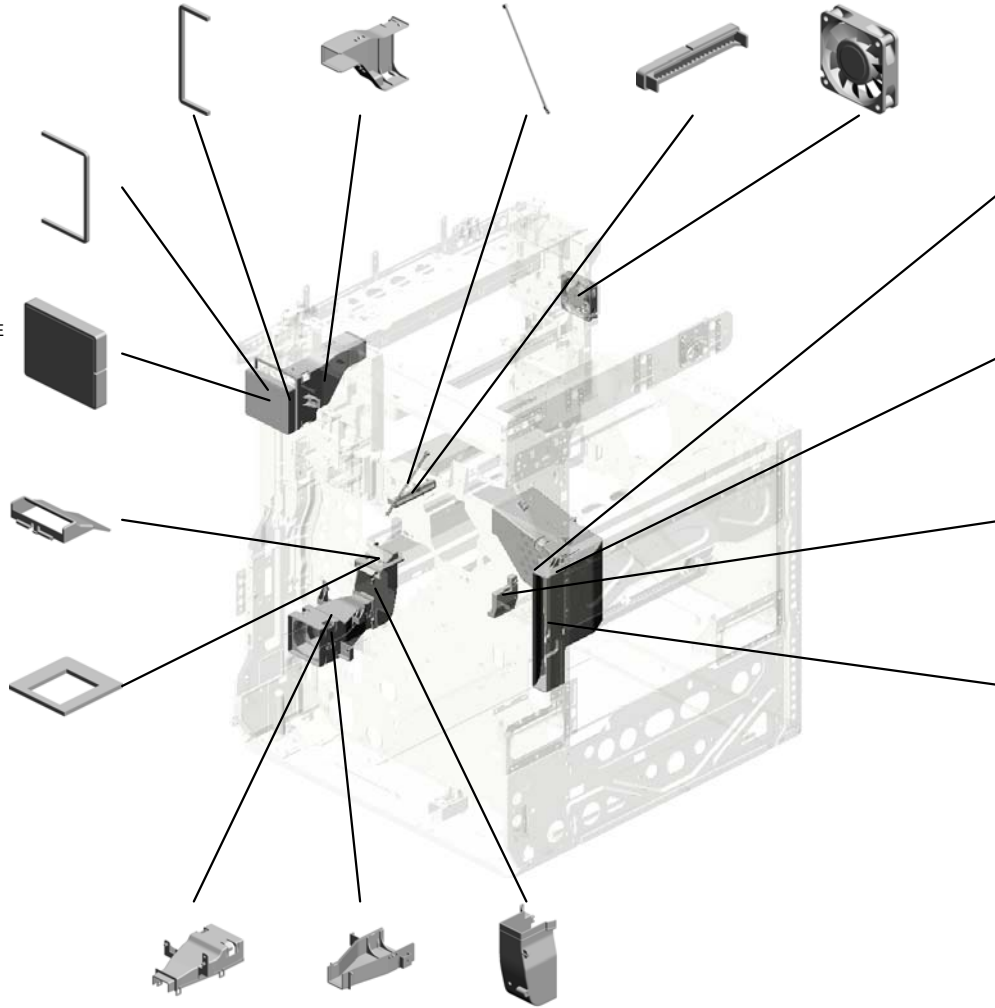


45.D2027925  
SEAL:EXHAUST:R  
EAR:A

47.D2027927  
DEODORIZE FILTE  
R

51.D2027947  
DUCT:RAIL:PCU

52.D2027949  
SEAL:DUCT



54.D2027970  
DUCT:LEFT:FAN:U  
PPER

55.D2027971  
DUCT:LEFT:FAN:L  
OWER

59.D1491338  
GUIDE PLATE:PAP  
ER FEED TABLE:F  
RONT

56.D2027972  
DUCT:REAR

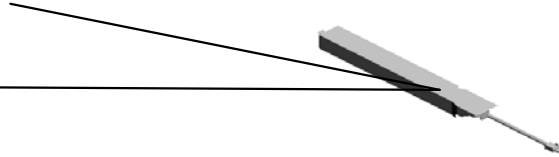
48.D2027941  
DUCT:DEVELOPM  
ENT:BEARING:REA  
R:A

49.D2027942  
DUCT:DEVELOPM  
ENT:BEARING:REA  
R:B

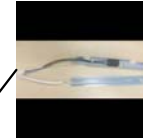
50.D2027946  
DUCT:DEVELOPM  
ENT:BEARING:FRO  
NT

# U016.HEATER

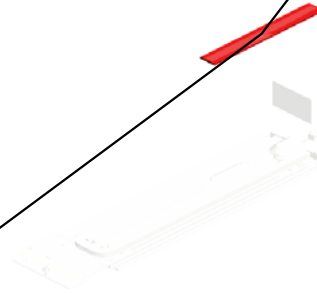
U016\_S002  
D7390071  
(NA);HEATER:SCANNER:ASS  
Y



U016\_S004  
D7390072  
(EU);HEATER:SCANNER:ASS  
Y



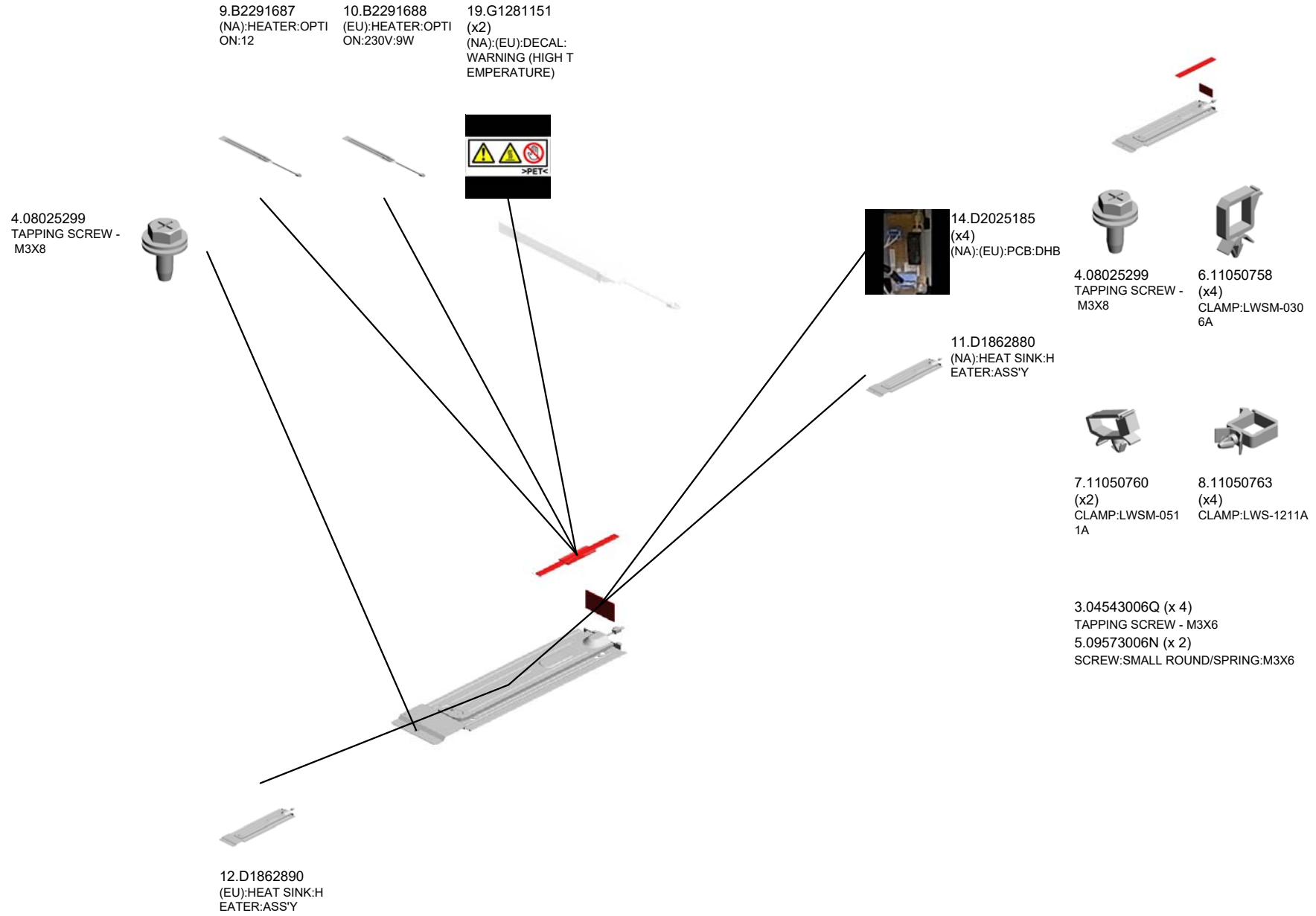
U016\_S001  
D2027980  
(NA);(EU);THERMOSTAT:ASS  
Y



U016\_S003  
D2027980  
(NA);(EU);THERMOSTAT:ASS  
Y

U001	U002	U003	U004	U005	U006	U007	U008	U009	U010	U011	U012	U013	U014	U015	U016	U017
------	------	------	------	------	------	------	------	------	------	------	------	------	------	------	------	------

# U016 HEATER

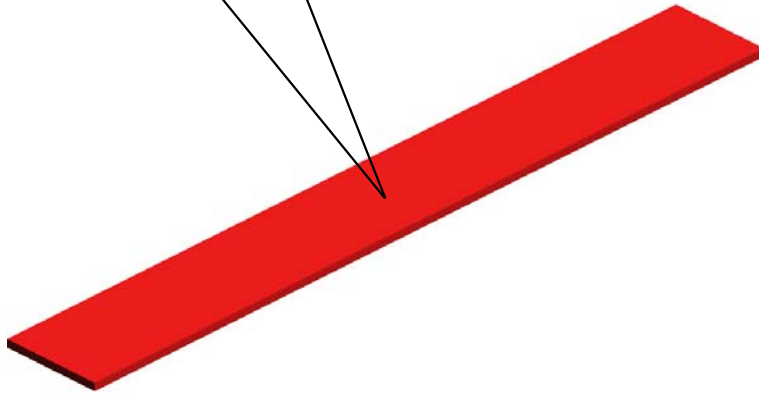
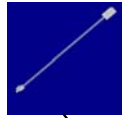


U001	U002	U003	U004	U005	U006	U007	U008	U009	U010	U011	U012	U013	U014	U015	U016	U017
------	------	------	------	------	------	------	------	------	------	------	------	------	------	------	------	------

U016\_S001  
(NA):(EU):THERMOSTAT:ASS'Y

15.D2027981  
(NA):(EU):THERMO  
STAT

16.D2027982  
(NA):(EU):BRACKE  
T:THERMOSTAT



20.D2027980  
(NA):(EU):THERMO  
STAT:ASS'Y



6.11050758  
CLAMP:LWSM-030  
6A

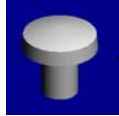
U001	U002	U003	U004	U005	U006	U007	U008	U009	U010	U011	U012	U013	U014	U015	U016	U017
------	------	------	------	------	------	------	------	------	------	------	------	------	------	------	------	------

U016\_S002  
(NA):HEATER:SCANNER:ASS'Y

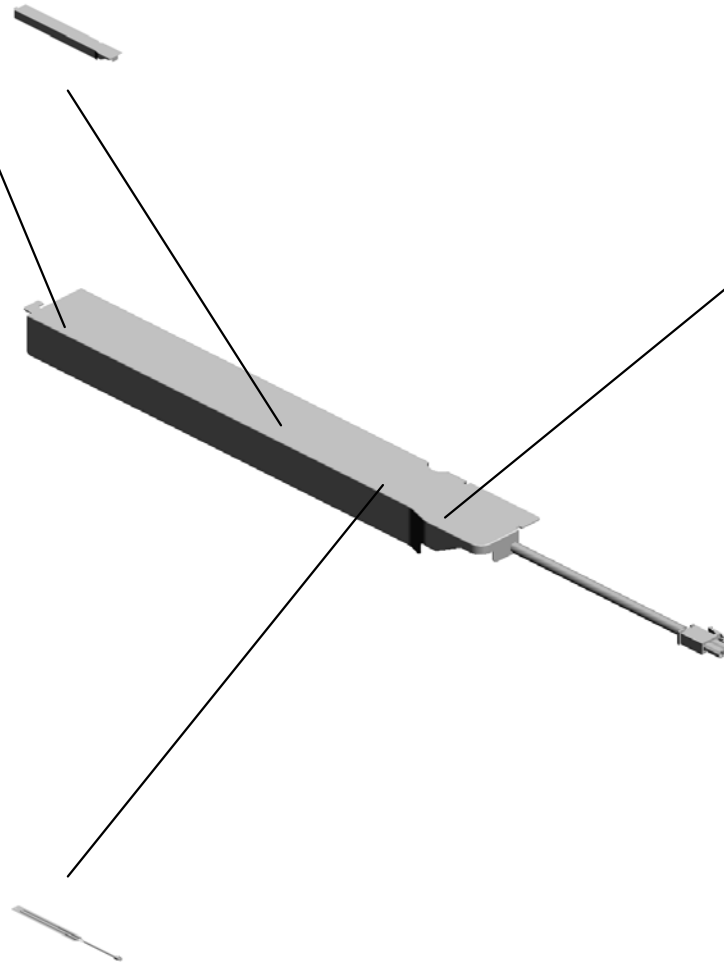
13.D2021836  
(NA):(EU):COVER:  
HEATER:SCANNER

17.D7390071  
(NA):HEATER:SCANNER:ASS'Y

2.03530050N  
SCREW-M3X5



1.03530030N  
SCREW-M3X3



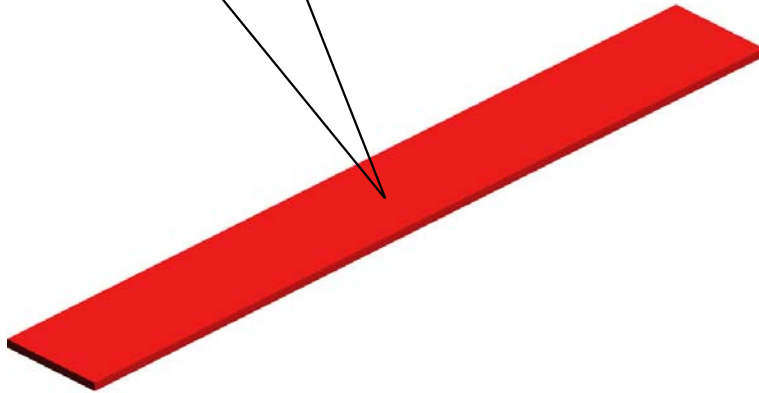
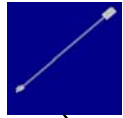
9.B2291687  
(NA):HEATER:OPTION:12

U001	U002	U003	U004	U005	U006	U007	U008	U009	U010	U011	U012	U013	U014	U015	U016	U017
------	------	------	------	------	------	------	------	------	------	------	------	------	------	------	------	------

U016\_S003  
(NA):(EU):THERMOSTAT:ASS'Y

15.D2027981  
(NA):(EU):THERMO  
STAT

16.D2027982  
(NA):(EU):BRACKE  
T:THERMOSTAT



20.D2027980  
(NA):(EU):THERMO  
STAT:ASS'Y

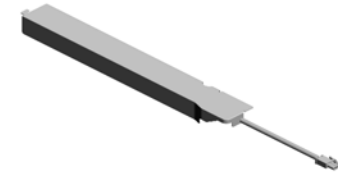


6.11050758  
CLAMP:LWSM-030  
6A

U001	U002	U003	U004	U005	U006	U007	U008	U009	U010	U011	U012	U013	U014	U015	U016	U017
------	------	------	------	------	------	------	------	------	------	------	------	------	------	------	------	------

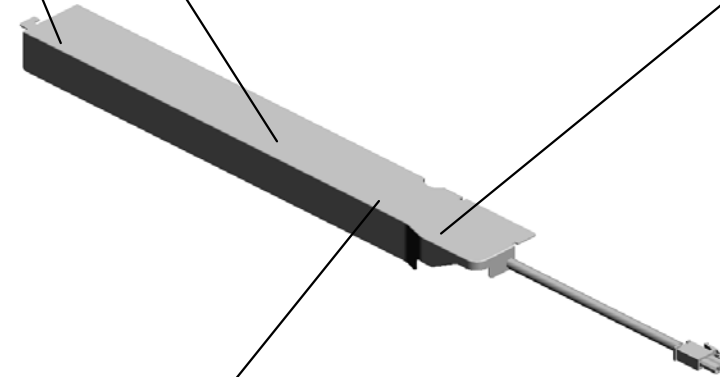
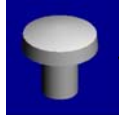
U016\_S004  
(EU):HEATER:SCANNER:ASS'Y

13.D2021836  
(NA):(EU):COVER:  
HEATER:SCANNER



18.D7390072  
(EU):HEATER:SCANNER:ASS'Y

2.03530050N  
SCREW-M3X5



1.03530030N  
SCREW-M3X3

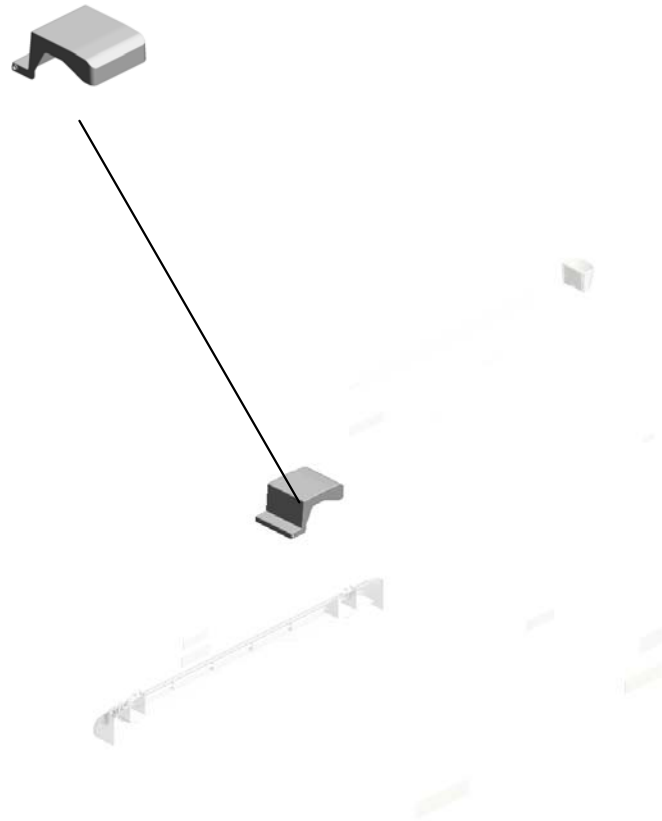


10.B2291688  
(EU):HEATER:OPTION:230V:9W

U001	U002	U003	U004	U005	U006	U007	U008	U009	U010	U011	U012	U013	U014	U015	U016	U017
------	------	------	------	------	------	------	------	------	------	------	------	------	------	------	------	------

# U017.ACCESSORIES

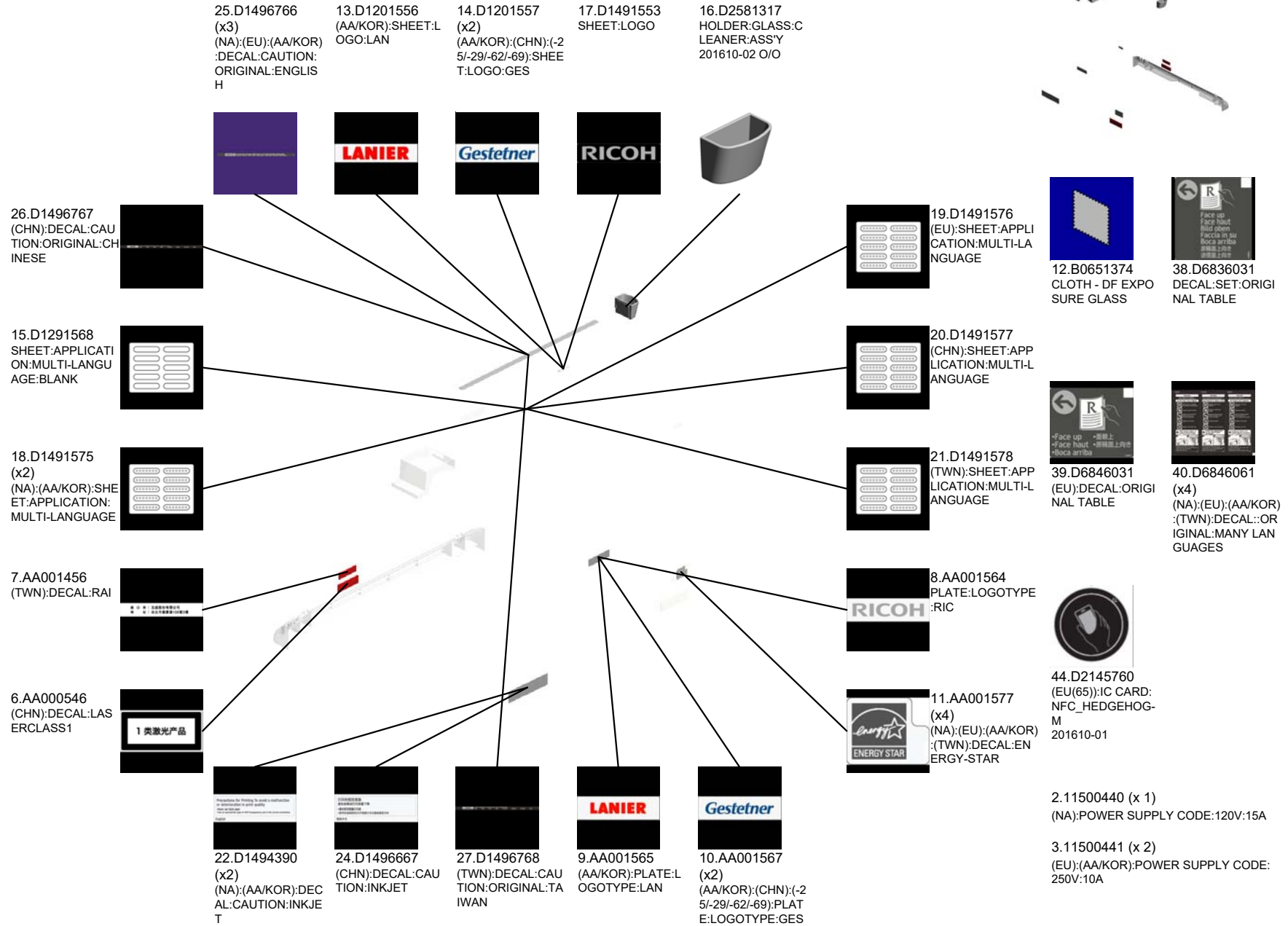
U017 S001  
D1494472  
END FENCE:TRAY:EXIT:ASS'  
Y



U001	U002	U003	U004	U005	U006	U007	U008	U009	U010	U011	U012	U013	U014	U015	U016	U017
------	------	------	------	------	------	------	------	------	------	------	------	------	------	------	------	------

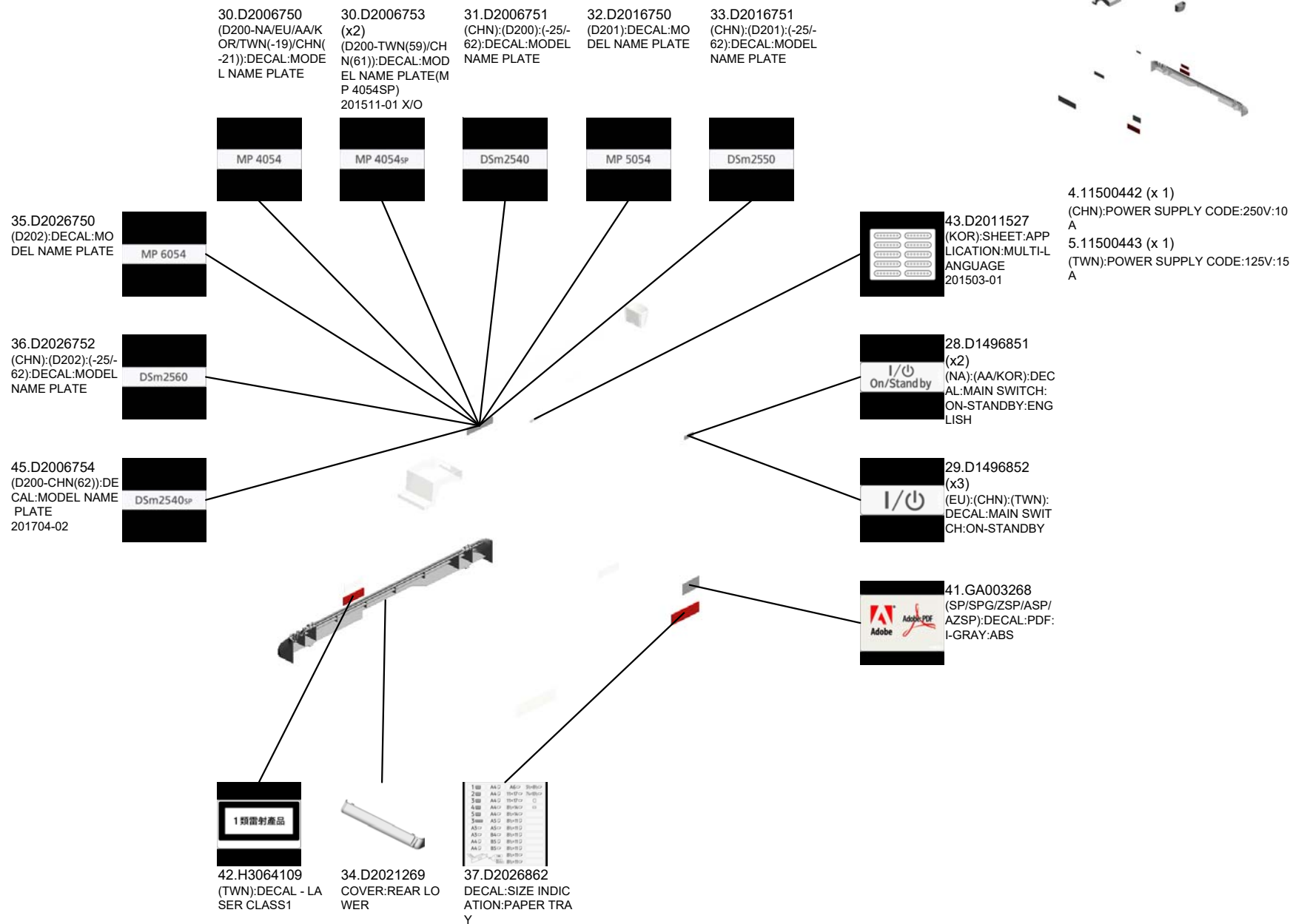


# U017 ACCESSORIES

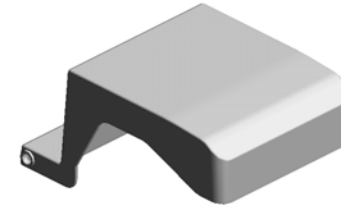


U001	U002	U003	U004	U005	U006	U007	U008	U009	U010	U011	U012	U013	U014	U015	U016	U017
------	------	------	------	------	------	------	------	------	------	------	------	------	------	------	------	------

# U017 ACCESSORIES



U017\_S001  
END FENCE:TRAY:EXIT:ASS'Y



23.D1494472  
END FENCE:TRAY:  
EXIT:ASS'Y



1.08050103  
RETAINING RINGS  
-E:SILENCER:DIA3

U001	U002	U003	U004	U005	U006	U007	U008	U009	U010	U011	U012	U013	U014	U015	U016	U017
------	------	------	------	------	------	------	------	------	------	------	------	------	------	------	------	------

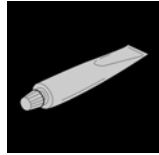
## Special Tools



1.52039502  
GREASE 501



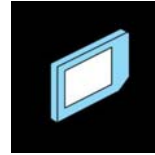
2.A0069104  
Scanner Positioning Pin (4pcs/set)



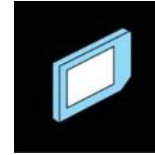
3.A2579300  
GREASE - BARRIERTA S552R



4.A2929500  
TEST CHART - S5S (10 PCS/SET)



5.B6455020  
SD-CARD:SERVICE:1GB:ASS'Y



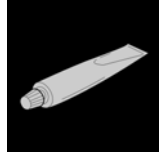
6.B6455030  
SD-CARD:SERVICE PARTS:2GB:ASS'  
Y



7.C4019503  
20X MAGNIFICATION SCOPE



8.D1979010  
(x3)  
(NA):(EU):(AA/KOR):SET:SEAL:OPTIC  
AL WRITING UNIT



9.VSSG9002  
FLUOTRIBO MG GREASE : 100G



10.D2021122  
JOINT:DEVELOPMENT  
201709-01

## Exclusive Parts

Number	Part Name	Group	ID
52039502	GREASE 501	Special Tools	1
52062686	SNAP RING	U005_S002	18
		U005_S003	18
52152621	SNAP RING - M6	U008	15
		U012	18
54472681	SNAP RING	U012	19
A0069104	Scanner Positioning Pin (4pcs/set)	Special Tools	2
A2324666	CUSHION - STEPPER MOTOR	U003_S007	18
		U011_S001	11
A2501752	EXPOSURE GLASS	U003	19
A2579300	GREASE - BARRIERTA S552R	Special Tools	3
A2929500	TEST CHART - S5S (10 PCS/SET)	Special Tools	4
A6283112	SHIELDING SHEET	U003_S001	20
		U003_S002	20
		U003_S003	20
		U003_S004	20
		U003_S005	20
AA000546	(CHN):DECAL:LASERCLASS1	U017	6
AA001456	(TWN):DECAL:RAI	U017	7
AA001564	PLATE:LOGOTYPE:RIC	U017	8
AA001565	(AA/KOR):PLATE:LOGOTYPE:LAN	U017	9
AA001567	(AA/KOR):(CHN):(-25/-29/-62/-69):PLATE:LOGOTYPE:GES	U017	10
AA001577	(NA):(EU):(AA/KOR):(TWN):DECAL:ENERGY-STAR	U017	11
AA043000	SYNCHRONOUS BELT:40S3M192	U013	13
AA043339	TIMING BELT:PAPER EXIT:40S2M122	U011_S001	12
AA043623	TIMING BELT - B40S2M180	U013	14
AA043980	TIMING BELT:30S2M300	U012_S001	20
AA061180	COIL SPRING:PRESSURE	U010_S001	14
		U010_S002	14
		U010_S003	14
		U010_S004	14
		U010_S005	14
AA061181	TORSION SPRING:STRIPPER PLATE:FRONT	U010_S001	15
		U010_S002	15
		U010_S003	15

Number	Part Name	Group	ID
		U010_S004	15
		U010_S005	15
AA061182	TORSION SPRING:STRIPPER PLATE:REAR	U010_S001	16
		U010_S002	16
		U010_S003	16
		U010_S004	16
		U010_S005	16
AA063432	SPRING - INTERMEDIATE DRAWER	U006	12
AA063499	PRESSURE SPRING	U012_S001_S002	21
AA063941	COMPRESSION SPRING:REGISTRATION:INNER:DRIVE	U008_S002	16
AA063942	COMPRESSION SPRING:REGISTRATION:DRIVE	U008_S002	17
AA063943	COMPRESSION SPRING:GUIDE PLATE:REGISTRATION:4N	U008_S002	18
AA063961	COMPRESSION SPRING:ROLLER:CHARGE	U006_S001_S001	13
AA063962	COMPRESSION SPRING:CLEANER:CHARGE	U006_S001_S001	14
AA066435	SPRING:RELEASE:FUSING EXIT	U010_S001	60
		U010_S002	60
		U010_S003	60
		U010_S004	60
		U010_S005	60
AA080346	BUSHING:FLANGE TYPE:DIA6	U008	19
		U008_S002	19
		U009_S001	9
		U009_S002	9
		U013	15
AA080347	BUSHING - 8MM	U009_S002	10
AA082144	BUSHING - 8X12X7	U003	21
		U008	20
AA082170	PLAIN SHAFT BEARING:DIA4XDIA8X5:EG-1	U011_S001	13
		U012_S001	22
		U012_S001_S002	22
		U013_S002	16
AA082171	PLAIN SHAFT BEARING:6X10X6	U012_S001_S002	23

## Exclusive Parts

Number	Part Name	Group	ID
AA082173	PLAIN SHAFT BEARING:6X10X6	U005	19
		U005_S002	19
		U005_S002_S003	19
		U005_S003	19
		U005_S003_S003	19
		U011_S001	14
		U012_S001	24
		U012_S001_S002	24
AA082174	PLAIN SHAFT BEARING:6X10X9	U005_S002	20
		U005_S003	20
AA082186	PLAIN SHAFT BEARING:DIA8XDIA12X12:EG-1	U005	21
AA082187	BUSHING:DIA6XDIA10X9:EG-1	U012_S001_S002	25
AA083014	ONE-WAY CLUTCH	U012_S001	26
AA083018	ROLLER CLUTCH - 6X14X10	U012_S001	27
AA100014	RETAINING RING C - SEPARATE	U005_S002	22
		U005_S003	22
		U012_S001_S002	28
AA120149	DISCHARGE BRUSH:PRESSURE ROLLER	U010_S001	18
		U010_S002	18
		U010_S003	18
		U010_S004	18
		U010_S005	18
AA143537	SCREW:M3:BLACK	U001	5
		U003	22
AA143579	SCREW - M3	U012_S001_S002	29
AA143592	SCREW- M4X6	U014	26
AA143807	SCREW:A	U012_S001	30
AA143816	FLAT SCREW:CHUCK:BOTTLE	U015	16
AA143848	STEPPED SCREW - M3	U014	64
AA161125	RUBBER CUSHION	U014	65
AB010156	GEAR:SEPARATE:DRIVE	U012_S001_S002	31
AB010157	GEAR:SEPARATE:DRIVEN	U012_S001_S002	32
AB010170	GEAR:DRUM	U013_S001	18
AB011252	GEAR - 20Z	U012_S001_S002	33
AB011571	GEAR:Z19:DRIVE:REGISTRATION	U008_S002	21
AB011572	GEAR:Z19:DRIVEN:REGISTRATIO	U005	23

Number	Part Name	Group	ID
	N		
AB011573	GEAR:REGISTRATION:NO.2	U005	24
AB012231	GEAR:DRIVE:Z20	U010_S001	19
		U010_S002	19
		U010_S003	19
		U010_S004	19
		U010_S005	19
AB012232	GEAR:IDLER:Z19	U010_S001	20
		U010_S002	20
		U010_S003	20
		U010_S004	20
		U010_S005	20
AB015035	GEAR:PRESSURE ROLLER	U010_S001	21
		U010_S002	21
		U010_S003	21
		U010_S004	21
		U010_S005	21
AB017862	GEAR:PULLEY:USED TONER:IDLER	U009_S002	11
AB033800	PULLEY:SCREW GEAR:RECYCLING:IDLER	U009_S002	12
AC015063	SHIELD GLASS	U004_S001	4
AC030169	MIRROR:NO.1	U003_S009	23
AC030210	MIRROR:NO.2:CONCAVE	U003_S006	24
AD027034	ROLLER:CHARGE	U006_S001_S001	15
AD041161	BLADE:CLEANING:8799:ASS'Y	U006_S001_S001	72
AD042078	BRUSH ROLLER:CLEANER:CHARGE	U006_S001_S001	17
AD043098	TRANSPORT SCREW:DISCHARGE USED TONER	U006_S001_S001_S001	73
AE030097	RADIAL BALL BEARING:DIA10XDIA22X6	U010_S001	62
		U010_S002	62
		U010_S003	62
		U010_S004	62
		U010_S005	62
AF013006	BOTTOM PLATE PAD	U005_S010_S002	25
		U005_S011_S002	25
AF013016	BOTTOM PLATE PAD	U012_S001_S001	34

## Exclusive Parts

Number	Part Name	Group	ID
AF030049	PICK-UP ROLLER	U012_S001_S002	35
AF030094	PAPER FEED ROLLER:PICKUP	U005_S002	26
		U005_S003	26
AF031046	FEED ROLLER - MANUAL FEED	U012_S001_S002	36
AF031094	PAPER FEED ROLLER:FEED	U005_S002	27
		U005_S003	27
AF032046	SEPARATION ROLLER - MANUAL FEED	U012_S001_S002	37
AF032094	PAPER FEED ROLLER:SEPARATE	U005_S002	28
		U005_S003	28
AF040571	GUIDE ROLLER	U011_S001	15
AF040575	DRIVEN ROLLER	U011_S001	16
AG070513	MAGNET CATCH	U001	6
AH010015	RUBBER FOOT:H5:DIA29	U015	17
AW010147	PHOTO REFLECTION SENSOR	U011_S001	17
AW010155	ORIGINAL SENSOR:66MM:3.3V	U003	25
AW010200	PAPER FEED SENSOR:FUSING EX IT	U008_S002	22
AW020198	PHOTOINTERRUPTOR:LG2A14NL1	U008_S001	23
		U009	13
		U012_S001	38
AW020203	PHOTOINTERRUPTOR:GP1A173LCS2F	U008	24
AW020207	PHOTOINTERRUPTOR:FLAT:PICH2MM:M4	U003	26
AW020214	PHOTOINTERRUPTOR:LG248NL1A	U003	27
AW020224	PHOTOINTERRUPTOR:GP1A173LCSVF	U005_S002	29
		U005_S003	29
		U011_S001	18
		U012_S001_S001	39
		U012_S001_S002	39
AW100138	THERMOPILE	U010	23
AW100171	(NA):(TWN):THERMISTOR:PRESSURE ROLLER	U010_S001	24
		U010_S005	24
AW100172	(EU):(AA/KOR):(CHN):THERMISTOR:PRESSURE ROLLER	U010_S002	25
		U010_S003	25
		U010_S004	25

Number	Part Name	Group	ID
AW100173	NON-CONTACT TYPE THERMISTOR:HOT ROLLER	U010_S001	26
		U010_S002	26
		U010_S003	26
		U010_S004	26
		U010_S005	26
AW110101	THERMOSTAT:LOWER	U010_S001	27
		U010_S002	27
		U010_S003	27
		U010_S004	27
		U010_S005	27
AW140026	TEMPERATURE & HUMIDITY SENSOR	U008	25
AW230100	PCB:MYU:SENSOR	U006_S001_S002	68
AW500040	PUSH SWITCH:SW1AG-550:10MA	U005	30
		U007_S001_S003	8
		U012	40
AW500042	ROTARY SWITCH:PAPER SIZE SENSOR:CW	U012_S001	40
		U012_S001_S001	41
AW500046	PUSH SWITCH:PAPER SIZE SENSOR	U005	31
AX040273	DC MOTOR:RISING TRAY:ASS'Y:1.007W:BRUSH	U005_S008	32
		U005_S009	32
AX050349	DC MOTOR:ENCODER:NO:7W:GEAR:BRUSHLESS	U012_S001	42
		U013	19
AX060464	DC MOTOR:ENCODER:NO:10W:GEAR:BRUSHLESS	U012_S001	43
		U013	20
AX060465	DC BRUSHLESS MOTOR:FUSING:18.5W	U013	21
AX060473	DC BRUSHLESS MOTOR:DRUM:USED TONER:15.1W	U013	22
AX060474	DC BRUSHLESS MOTOR:DEVELOPMENT:18.2W	U013	23
AX121101	ROTARY SOLENOID:USED TONER:CHANGE	U009_S002	14
AX640219	DC FAN MOTOR:DC24V:MM60:25MM	U014_S001	27
		U014_S002	27
		U014_S003	27

## Exclusive Parts

Number	Part Name	Group	ID
		U014_S004	27
		U014_S005	27
		U015	18
AX640231	DC FAN MOTOR:AXIAL:MM80:25M M	U015	19
AZ230276	(NA):(TWN):POWER SUPPLY UNIT	U014_S001	28
		U014_S002	28
AZ230278	(EU):(AA/KOR):POWER SUPPLY U NIT	U014_S004	29
		U014_S005	29
AZ230280	(CHN):POWER SUPPLY UNIT	U014_S003	30
AZ320208	POWER PACK:CBTD:H	U014	31
B0651374	CLOTH - DF EXPOSURE GLASS	U017	12
B2134460	SHAFT:PRESSURE ROLLER	U011_S001	19
		U011_S001_S002	19
		U011_S001_S003	19
B2231186	DRIVE JOINT	U013	24
B2232862	LEVER - RELEASE INNER	U005_S011	33
B2234552	BUSHING:DIA4	U012_S001	44
B2236464	BUSHING - 6X10X6	U009_S002	15
B2291687	(NA):HEATER:OPTION:12	U016	9
		U016_S002	9
B2291688	(EU):HEATER:OPTION:230V:9W	U016	10
		U016_S004	10
B2381088	COVER - CONNECTOR	U015	20
B2381089	COVER - POSITIONING PIN	U015	21
B2381806	IDLER PULLEY	U003	28
B2381807	PULLEY	U003_S006	29
B6455020	SD-CARD:SERVICE:1GB:ASS'Y	Special Tools	5
B6455030	SD-CARD:SERVICE PARTS:2GB:A SS'Y	Special Tools	6
B6521773	TIMING BELT:B40S2M178	U009_S002	16
B8303504	TIMING BELT - 40S2M100	U005_S002	34
		U005_S003	34
C1012360	SNAP RING	U006_S001	18
C4019503	20X MAGNIFICATION SCOPE	Special Tools	7
D0091147	TERMINAL - DEVELOPMENT ROLL ER	U006	19
D0092573	PULLEY - VERTICAL TRANSPORT	U012_S001	45

Number	Part Name	Group	ID
D0092574	PULLEY - IDLER	U012_S001	46
D0094407	FEELER - OVERFLOW	U011_S001	20
D0094455	CUSHION - DC SOLENOID	U011_S001	21
		U012_S001	47
D0094485	BUSHING - GATE	U012_S001	48
D0094487	COMPRESSION SPRING - GATE	U012_S001	49
D0095891	LEFT RAIL - FAX CONTROL UNIT	U014	32
D0095899	RIGHT RAIL - SMALL	U014	33
D0291749	PULLEY:PROTECTION	U003	30
D0292677	TRANSPORT BELT:DRIVEN:VERTI CAL TRANSPORT	U012_S001	50
D0392566	TENSION SPRING:GRIP:RIGHT	U005_S010	35
		U005_S011	35
D0394529	STOPPER:GUIDE PLATE:ROLLER: DRIVEN	U012_S001	51
D0394597	TENSION SPRING:DRIVEN ROLLE R	U012_S001	52
D0394912	DISCHARGE BRUSH:REVERSE	U011_S001	22
D0394925	ROLLER:REVERSE:DRIVEN	U011_S001	23
D0394927	COMPRESSION SPRING:PRESSU RE:REVERSE:DRIVEN	U011_S001	24
D0892764	GEAR:FEED	U005_S002	36
		U005_S003	36
D0895824	COVER:SD-CARD:D086/D087	U014	34
D0895887	PANEL:INTERFACE	U014	35
D1054365	HOLDER:THERMOPILE	U010	28
D1201556	(AA/KOR):SHEET:LOGO:LAN	U017	13
D1201557	(AA/KOR):(CHN):(-25/-29/-62/-69):S HEET:LOGO:GES	U017	14
D1291508	KEYTOP:HOME	U002	14
		U002_S001	14
		U002_S002	14
		U002_S003	14
		U002_S009	14
		U002_S010	14
D1291528	SHEET:KEYTOP:LEFT	U002	15
		U002_S001	15
		U002_S002	15



## Exclusive Parts

Number	Part Name	Group	ID
		U002_S003	15
		U002_S009	15
		U002_S010	15
D1291568	SHEET:APPLICATION:MULTI-LANG UAGE:BLANK	U017	15
D1292783	TORQUE LIMITER MECHANICAL C LUTCH:40MNM:DIA18	U005_S002	37
		U005_S003	37
		U012_S001_S002	53
D1444484	SHOULDER SCREW - M3	U010_S001	29
		U010_S002	29
		U010_S003	29
		U010_S004	29
		U010_S005	29
		U011_S001	25
D1444489	STOPPER:DRIVEN ROLLER	U012_S001	54
D1471805	EXPOSURE GLASS:DOCUMENT F EEDER:APPLY	U003	32
D1472734	GUIDE PLATE:SEPARATE	U005_S002	38
		U005_S003	38
D1472737	LEVER:PRESSURE:SEPARATE	U005_S002	40
		U005_S003	40
D1472738	LINK:RELEASE	U005_S002	41
		U005_S003	41
D1472752	SHAFT:SEPARATE:ASS'Y	U005_S002_S001	43
		U005_S003_S001	43
D1472754	COIL SPRING:PRESSURE:SEPARA TE	U005_S002	44
		U005_S003	44
D1472866	COVER:PAPER TRAY:NO.2	U005_S011	85
D1482702	SPACER:TRANSPORT ROLLER	U005_S002	46
		U005_S003	46
D1482751	ARM:PRESSURE:SEPARATE	U005_S002	42
		U005_S003	42
D1482755	COIL SPRING:RELEASE:SEPARAT E	U005_S002	45
		U005_S003	45
D1484441	GUIDE PLATE:EXIT:UPPER	U011_S001	26
D1484681	BRACKET:MOTOR:PEEN	U012_S001	87
D1491194	PULLEY:PAPER FEED:FEED:NO.1: MECHANICAL ROLLER CLUTCH	U013	25

Number	Part Name	Group	ID
D1491195	GEAR:IDLER:PAPER FEED:FEED	U013	26
D1491196	GEAR:PAPER FEED:FEED:NO.2:M ECHANICAL ROLLER CLUTCH	U013	27
D1491197	GEAR:IDLER:PAPER FEED:GRIP:N O.1	U013	28
D1491199	DRIVE UNIT:ON-OFF:TRANSFER	U008_S001	26
D1491230	COVER:UPPER	U001	7
D1491234	COVER:UPPER:INNER BACK:MIDD LE	U001	8
D1491237	COVER:UPPER:INNER BACK:LEFT LOWER	U001	9
D1491242	COVER:MAIN SWITCH	U001	10
D1491263	CAP:LOUVER:DEODORIZE FILTER	U001	12
D1491266	COVER:RIGHT:FRONT LOWER	U001	13
D1491275	INNER COVER:FRONT:RIGHT LO WER	U001	14
D1491289	COVER:SCANNER:REAR	U001	16
D1491291	CAP:HARNESS	U001	17
D1491294	(D201/D200):(AA/KOR):(CHN):(TWN ):CAP:HARNESS:CORNER	U001	18
D1491307	SPRING PLATE:BAND	U001	19
D1491338	GUIDE PLATE:PAPER FEED TABL E:FRONT	U015	59
D1491352	BRACKET:DRIVE UNIT:REGISTRA TION:ASS'Y	U013	29
D1491355	GEAR:REGISTRATION:NO.1	U013	30
D1491392	FLANGE:PAPER FEED:FEED	U013	31
D1491425	LCD:TFT:WVGA-9:LED:CMI	U002	17
		U002_S001	17
		U002_S002	17
		U002_S003	17
D1491428	TOUCH PANEL:WVGA-9:MV	U002	18
		U002_S001	18
		U002_S002	18
		U002_S003	18
		U002_S009	18
		U002_S010	18
D1491478	PCB:OP-L:ASS'Y	U002	19

## Exclusive Parts

Number	Part Name	Group	ID
		U002_S001	19
		U002_S002	19
		U002_S003	19
		U002_S009	19
		U002_S010	19
D1491504	KEYTOP:START	U002	21
		U002_S001	21
		U002_S002	21
		U002_S003	21
		U002_S009	21
		U002_S010	21
D1491505	KEYTOP:STOP	U002	22
		U002_S001	22
		U002_S002	22
		U002_S003	22
		U002_S009	22
		U002_S010	22
D1491508	KEYTOP:RESET SWITCH	U002	23
		U002_S001	23
		U002_S002	23
		U002_S003	23
		U002_S009	23
		U002_S010	23
D1491510	KEYTOP:LEFT	U002	24
		U002_S001	24
		U002_S002	24
		U002_S003	24
		U002_S009	24
		U002_S010	24
D1491511	LENS:FRONT	U002	25
		U002_S001	25
		U002_S002	25
		U002_S003	25
		U002_S009	25
		U002_S010	25
D1491512	COVER:REAR:LARGE	U002	26
		U002_S001	26
		U002_S002	26

Number	Part Name	Group	ID
		U002_S003	26
		U002_S009	26
		U002_S010	26
		U002	27
D1491513	COVER:REAR:SMALL:LEFT	U002_S001	27
		U002_S002	27
		U002_S003	27
		U002_S009	27
		U002_S010	27
		U002	28
D1491514	COVER:REAR:SMALL:MIDDLE	U002_S001	28
		U002_S002	28
		U002_S003	28
		U002_S009	28
		U002_S010	28
D1491515	COVER:REAR:SMALL:RIGHT	U002	29
		U002_S001	29
		U002_S002	29
		U002_S003	29
		U002_S009	29
		U002_S010	29
D1491530	SPACER:LCD:A	U002	30
		U002_S001	30
		U002_S002	30
		U002_S003	30
		U002_S009	30
		U002_S010	30
D1491531	SPACER:LCD:B	U002	31
		U002_S001	31
		U002_S002	31
		U002_S003	31
		U002_S009	31
		U002_S010	31
D1491533	(NA):(AA/KOR):COVER:UPPER:SH	U002	32
D1491534	(NA):(AA/KOR):COVER:UPPER:CM	U002_S001	33
		U002_S002	33
		U002	34
D1491538	(EU):(CHN):(TWN):KEYTOP:10KEY	U002_S003	34

Exclusive Parts

Number	Part Name	Group	ID
		U002_S009	34
		U002_S010	34
D1491539	(NA):(AA/KOR):KEYTOP:10KEY	U002	35
		U002_S001	35
		U002_S002	35
D1491553	SHEET:LOGO	U017	17
D1491555	(CHN):COVER:UPPER:SH	U002_S009	36
D1491556	(CHN):COVER:UPPER:CM	U002	37
D1491557	(TWN):COVER:UPPER:SH	U002_S010	38
D1491558	(TWN):COVER:UPPER:CM	U002	39
D1491575	(NA):(AA/KOR):SHEET:APPLICATION:MULTI-LANGUAGE	U017	18
D1491576	(EU):SHEET:APPLICATION:MULTI-LANGUAGE	U017	19
D1491577	(CHN):SHEET:APPLICATION:MULTI-LANGUAGE	U017	20
D1491578	(TWN):SHEET:APPLICATION:MULTI-LANGUAGE	U017	21
D1491587	ABSORPTION SHEET:LCDC	U002_S001_S001	40
		U002_S002_S001	40
		U002_S003_S001	40
		U002_S004	40
		U002_S005	40
		U002_S006	40
		U002_S007	40
		U002_S008	40
		U002_S009_S001	40
		U002_S010_S001	40
D1491588	KEYTOP:POWER SOURCE:BA	U002	41
		U002_S001	41
		U002_S002	41
		U002_S003	41
		U002_S009	41
		U002_S010	41
D1491589	(EU):COVER:UPPER:SH:BA	U002	42
D1491592	(EU):COVER:UPPER:CM:BA	U002_S003	43
D1491693	GUIDE:FFC	U003	33
D1491694	PLATE SEAL:APS:HARNESS	U003	34

Number	Part Name	Group	ID
D1491705	BRACKET:DC STEPPER MOTOR	U003	35
D1491706	SYNCHRONOUS BELT:138ST1.5-4.0	U003	36
D1491709	TENSION SPRING:TENSION:11.3N:30MM	U003	37
D1491710	TIMING PULLEY:62	U003	38
D1491711	SHAFT:SCANNER:DRIVE	U003	39
D1491714	DRIVE WERE:DIA1	U003	40
D1491715	PULLEY:DRIVE WERE:FRONT	U003	41
D1491717	PULLEY:DRIVE WERE:REAR	U003	42
D1491718	BRACKET:TENSION:REAR	U003	43
D1491719	BRACKET:TENSION:FRONT	U003	44
D1491726	CLAMP:DRIVE WERE	U003	45
D1491728	GUIDE:HARNESS:LED-B	U003	46
D1491730	CARRIAGE:NO.1:ASS'Y	U003_S009	47
D1491731	REFLECTOR:SCANNER	U003_S009	48
D1491742	CARRIAGE:NO.2:SUB-ASS'Y	U003_S006	49
D1491749	MIRROR:NO.3:CONVAX:C3	U003_S006	50
D1491754	GUIDE:FFC:CARRIAGE:NO.2	U003_S006	51
D1491755	COVER:FFC:CARRIAGE:NO.2	U003_S006	52
D1491780	INNER COVER	U003	53
D1491792	(EU):(AA/KOR):(CHN):(TWN):SCALE:LEFT:ASS'Y	U003_S002	54
		U003_S003	54
		U003_S004	54
		U003_S005	54
D1491793	(NA):SCALE:LEFT:ASS'Y	U003_S001	55
D1491798	SEAL:SHEET THROUGH:DOCUMENT FEEDER	U003	56
D1491799	SCALE:REAR:PRINTING	U003	57
D1491800	COVER:SHEET THROUGH:DOCUMENT FEEDER	U003	58
D1491801	BRACKET:SCALE:LEFT	U003	59
D1491804	HOLDER:EXPOSURE GLASS:SCANNER	U003	60
D1491805	HOLDER:EXPOSURE GLASS	U003	61
D1491816	DOCUMENT FEEDER:CABLE:BRACKET	U003	62
D1492584	COLLAR:SHAFT:REGISTRATION R	U008_S002	27

## Exclusive Parts

Number	Part Name	Group	ID
	OLLER		
D1492612	ROLLER:GRIP:DRIVEN	U012_S001_S002	55
D1492613	SHAFT:GRIP:DRIVEN	U012_S001_S002	56
D1492614	TENSION SPRING:GRIP:PRESSUR E	U012_S001_S002	57
D1492619	SHAFT:SEPARATOR:DRIVE:ASS'Y	U012_S001_S002 S002	58
D1492633	SHAFT:FEED:MANUAL FEED	U012_S001_S002	59
D1492635	TRANSPORT ROLLER:MANUAL FE ED	U012_S001_S002	60
D1492638	LINK:PAPER STOPPER:MANUAL F EED	U012_S001_S002	61
D1492639	SHAFT:PAPER STOPPER	U012_S001_S002	62
D1492642	SHAFT:LINK:PAPER STOPPER	U012_S001_S002	63
D1492644	TORSION SPRING:LINK:PAPER ST OPPER	U012_S001_S002	64
D1492652	GROUND PLATE:SHAFT:FEED	U012_S001_S002	65
D1492655	FEELER:PAPER END SENSOR	U012_S001_S002	66
D1492656	TORSION SPRING:PAPER END SE NSOR	U012_S001_S002	67
D1492658	COVER:PAPER FEED ROLLER	U012_S001_S002	68
D1492678	SHAFT:FLAT CONVEYER BELT:DR IVEN	U012_S001	69
D1492683	ARM:MANUAL FEED:FRONT LOWE R	U012_S001_S001	70
D1492684	ARM:MANUAL FEED:REAR LOWE R	U012_S001_S001	71
D1492686	WIRE:MANUAL FEED TABLE:TC07 5	U012_S001_S001	72
D1492688	TENSION SPRING:WIRE	U012_S001_S001	73
D1492692	ARM:MANUAL FEED:FRONT UPPE R	U012_S001_S001	74
D1492693	STOPPER:MANUAL FEED TABLE	U012_S001_S001	75
D1492694	COMPRESSION SPRING:STOPPE R:MANUAL FEED TABLE	U012_S001_S001	76
D1492712	SHEET:GUIDE PLATE:SWIVEL	U005_S001	47
D1492713	GUIDE PLATE:SWIVEL:NO.1	U005_S001	48
D1492721	GUIDE PLATE:SWIVEL:NO.2	U005	49

Number	Part Name	Group	ID
D1492739	LEVER:PRESSURE RELEASE	U005_S002	50
		U005_S003	50
D1492742	GUIDE PLATE:VERTICAL TRANSP ORT:PAPER FEED UNIT:NO.2	U005_S003	51
D1492772	ARM:PICKUP	U005_S002	52
		U005_S003	52
D1492773	PULLEY:PICKUP:MECHANICAL RO LLER CLUTCH	U005_S002	53
		U005_S003	53
D1492774	PULLEY:IDLER:PICKUP	U005_S002	54
		U005_S003	54
D1492775	SHAFT:FEED:ASS'Y	U005_S002_S002	55
		U005_S003_S002	55
D1492777	COIL SPRING:PRESSURE:PICKUP	U005_S002	56
		U005_S003	56
D1492780	GROUND WIRE:SENSOR:PAPER F EED	U005_S002	58
		U005_S003	58
D1492781	GROUND PLATE:PAPER FEED UNI T	U005_S002	59
		U005_S003	59
D1492782	PLATE:HARNESS:PAPER FEED U NIT	U005_S002	60
		U005_S003	60
D1492784	BRACKET:SENSOR:PAPER FEED	U005_S002	61
		U005_S003	61
D1492787	BRACKET:SUPPORT:COVER	U005	62
D1492788	INNER COVER:HARNESS:PAPER FEED UNIT	U005	63
D1492812	ROLLER:PAPER TRAY:DIA19	U005_S010	65
		U005_S011	65
D1492814	COIL SPRING:EARTH	U005_S010	66
		U005_S011	66
D1492816	SHAFT:RISE:ASS'Y	U005_S010	67
		U005_S011	67
D1492818	LEVER:RISE	U005_S010	68
		U005_S011	68
D1492824	LEVER:STOPPER:FRONT	U005_S010_S003	69
		U005_S011_S003	69
D1492826	COMPRESSION SPRING:SIDE FEN CE:PLATE:FRONT	U005_S010_S003	70
		U005_S011_S003	70
D1492827	COMPRESSION SPRING:SIDE FEN	U005_S010_S003	71

## Exclusive Parts

Number	Part Name	Group	ID
	CE:POSITIONING	U005_S011_S003	71
D1492835	RACK:SIDE FENCE	U005_S010	73
		U005_S011	73
D1492836	GEAR:Z20	U005_S010	74
		U005_S011	74
D1492840	END FENCE:PAPER TRAY:ASS'Y	U005_S010_S001	75
		U005_S011_S001	75
D1492842	LEVER:END FENCE	U005_S010_S001	76
		U005_S011_S001	76
D1492843	CLICK:END FENCE	U005_S010_S001	77
		U005_S011_S001	77
D1492845	COMPRESSION SPRING:END FENCE:LEVER:5N	U005_S010_S001	78
		U005_S011_S001	78
D1492857	LEVER:RELEASE:INNER:NO.1	U005_S010	80
D1492859	SHAFT:RELEASE:PAPER TRAY:NO.1	U005_S010	81
D1492861	HOLDER:GRIP:PAPER TRAY	U005_S010	82
		U005_S011	82
D1492862	SHAFT:RELEASE:PAPER TRAY:NO.2	U005_S011	83
D1492864	DECAL:PAPER SET DIRECTION:TRAY:NO.2	U005_S010	84
		U005_S011	84
D1492873	TRAY BOTTOM PLATE:NO.2:ASS'Y	U005_S010_S002	86
		U005_S011_S002	86
D1492878	SIDE FENCE:FRONT:ASS'Y	U005_S010_S003	87
		U005_S011_S003	87
D1492903	SUPPORTER:RIGHT:NO.2:ASS'Y	U005_S005	88
D1492905	SUPPORTER:RIGHT:NO.1:ASS'Y	U005_S004	89
D1492923	ROLLER:SUPPORTER:PAPER TRAY	U005_S005	90
D1492924	STOPPER:PAPER TRAY	U005_S004	91
		U005_S005	91
D1492928	ROLLER:SUPPORTER:PAPER TRAY:LEFT	U005_S006	92
		U005_S007	92
D1492952	DECAL:SIDE FENCE:PAPER VOLUME	U005_S010_S004	93
		U005_S011_S004	93
D1492956	ROLLER:SUPPORTER:PAPER TRAY	U005_S004	94

Number	Part Name	Group	ID
D1492990	PLAIN SHAFT BEARING:DRIVE:REGISTRATION ROLLER	U008_S002	28
D1492991	PLAIN SHAFT BEARING:INNER:DRIVE:REGISTRATION ROLLER	U008_S002	29
D1494354	BRACKET:DRAWER:MAIN	U010	30
D1494390	(NA):(AA/KOR):DECAL:CAUTION:INKJET	U017	22
D1494422	GEAR:REVERSE ROLLER	U011_S001	27
D1494425	DC STEPPER MOTOR:REVERSE:SUB-ASS'Y	U011_S001	28
D1494427	STUD:PULLEY:BRACKET:DC STEPPER MOTOR	U011_S001	29
D1494428	GROUND PLATE:PAPER EXIT UNIT	U011_S001	30
D1494429	PULLEY:GEAR:REVERSE	U011_S001	31
D1494434	TENSION SPRING:LEVER:GATE PAWL	U011_S001	32
D1494446	SPRING PLATE:ROLLER:DRIVEN	U011_S001	33
D1494448	SHAFT:FEELER:OVERFLOW	U011_S001	34
D1494456	SPRING PLATE:ROLLER:DRIVEN:EXIT	U011_S001	35
D1494457	ARM:ROLLER:DRIVEN:EXIT	U011_S001	36
D1494459	(EU/AA/NA/TWN):SHAFT:DRIVEN:EXIT ROLLER	U011_S001	19
		U011_S001_S002	19
		U011_S001_S003	19
D1494461	GUIDE PLATE:REVERSE:UPPER	U011_S001	37
D1494463	GROUND WIRE:SENSOR:REVERSE	U011_S001	38
D1494466	GUIDE PLATE:REVERSE:LOWER	U011_S001	39
D1494468	SHAFT:DRIVEN:REVERSE ROLLER	U011_S001	40
D1494469	SPRING PLATE:ROLLER:DRIVEN:REVERSE ROLLER	U011_S001	41
D1494471	SHAFT:DRIVEN:REVERSE ROLLER:OUTER	U011_S001	42
D1494472	END FENCE:TRAY:EXIT:ASS'Y	U017_S001	23
D1494476	EXIT ROLLER	U011_S001	43
D1494483	LEVER:GATE PAWL	U011_S001	44

## Exclusive Parts

Number	Part Name	Group	ID
D1494484	TORSION SPRING:LEVER:GATE P AWL	U011_S001	45
D1494492	TRAY:REVERSE	U001	20
D1494493	COMPRESSION SPRING:BASE:TR AY:EXIT	U011	46
D1494494	BASE:TRAY:EXIT	U011	47
D1494498	TRAY:EXIT	U011	48
D1494638	GUIDE:WIRE	U012_S001	77
D1494642	TRANSPORT ROLLER:DUPLEX:1	U012_S001	78
D1494645	SYNCHRONOUS BELT:30S2M118	U012_S001	80
D1494646	SYNCHRONOUS BELT:30S2M262	U012_S001	81
D1494655	GRIP:DUPLEX UNIT	U012_S001	82
D1494657	HOOK:STOPPER:DUPLEX UNIT:RE AR	U012_S001	83
D1494658	COIL SPRING:LEVER:DUPLEX	U012_S001	84
D1494662	DIFFUSION PLATE:LED	U008_S002	30
D1494672	COMPRESSION SPRING:DRIVEN	U012_S001	85
D1494675	COVER:PUSH SWITCH	U012_S001	86
D1494684	GEAR:OUTPUT	U012_S001	88
D1494688	LINK:DUPLEX:MAIN	U012_S001	89
D1494690	TORSION SPRING:LINK	U012_S001	90
D1494695	LINK:FRONT	U012_S001	91
<b>D1494706</b>	<b>PIN:ARM:FRONT LOWER</b>	<b>U012_S001_S001</b>	<b>184</b>
D1494710	GEAR:IDLER	U012_S001	95
D1494711	DECAL:SIDE FENCE:MANUAL FEE D	U012_S001_S001	96
D1494715	DECAL:GRIP:Z	U012_S001	97
D1494717	PLATE:SIDE FENCE:FRONT	U012_S001_S001	98
D1494718	TORSION SPRING:SIDE FENCE:FR ONT	U012_S001_S001	99
D1494720	PLATE:SIDE FENCE:REAR	U012_S001_S001	100
D1494721	TORSION SPRING:SIDE FENCE:R EAR	U012_S001_S001	101
D1494731	COMPRESSION SPRING:RACK:MA NUAL FEED	U012_S001_S001	102
D1494737	PLAIN SHAFT BEARING:DUPLEX:E XIT	U012_S001	103
D1494755	BRACKET:HINGE:DUPLEX:FRONT	U012	104

Number	Part Name	Group	ID
		U015	22
D1494761	DRIVEN ROLLER:DIA16	U012_S001	105
D1494762	DRIVEN ROLLER:DIA18	U012_S001	106
D1494765	PULLEY:T26	U012_S001	107
D1494766	PULLEY:T26/T26	U012_S001	108
D1494770	SHAFT:SEPARATOR:DRIVEN:ASS' Y	U012_S001_S002 S003	109
D1494777	COMPRESSION SPRING:FLAT CO NVEYER BELT:DRIVEN	U012_S001	110
D1494779	TRANSPORT ROLLER:EXIT:DIA8	U012_S001	111
D1494787	GUIDE:HARNESS:MANUAL FEED: CONNECTING	U012_S001	182
D1494815	GUIDE PLATE:SEPARATOR:ASS'Y	U012_S001_S002	112
D1495776	COVER:USB:SMALL	U014	36
D1495824	COVER:CONNECTOR:HEATER:0.4 MM	U014	37
D1495883	KEYTOP:MAIN SWITCH	U001	21
D1495884	COMPRESSION SPRING:KEYTOP	U001	22
D1496226	LEVER:TRANSFER/SEPARATION UNIT:FRONT	U008_S002	31
D1496228	TORSION SPRING:LEVER:SET:FR ONT	U008_S002	32
D1496229	TENSION SPRING:LEVER:SET	U008_S002	33
D1496231	LEVER:TRANSFER/SEPARATION UNIT:REAR	U008_S002	34
D1496233	TORSION SPRING:LEVER:SET:RE AR	U008_S002	35
D1496248	CAP:LED	U008_S002	36
D1496290	GUIDE:SET:TRANSFER/SEPARATI ON UNIT:FRONT	U008	37
D1496667	(CHN):DECAL:CAUTION:INKJET	U017	24
D1496766	(NA):(EU):(AA/KOR):DECAL:CAUTI ON:ORIGINAL:ENGLISH	U017	25
D1496767	(CHN):DECAL:CAUTION:ORIGINAL: CHINESE	U017	26
D1496768	(TWN):DECAL:CAUTION:ORIGINAL :TAIWAN	U017	27
D1496851	(NA):(AA/KOR):DECAL:MAIN SWIT	U017	28

## Exclusive Parts

Number	Part Name	Group	ID
	CH:ON-STANDBY:ENGLISH		
D1496852	(EU):(CHN):(TWN):DECAL:MAIN SWITCH:ON-STANDBY	U017	29
D1497961	DUCT:PAPER:COOLING:A	U015	23
D1497962	DUCT:PAPER:COOLING:B	U015	24
D1501282	COVER:SCANNER:UPPER:FRONT	U001	15
D1502666	GEAR:SIDE FENCE:MANUAL FEED TABLE	U012_S001_S001	113
D1505624	PCB:IMAGE PROCESSING UNIT:TYPE-S1MD-SUB	U014	38
D1591740	CARRIAGE:NO.2:ASS'Y	U003_S006	63
D1752726	STOPPER:GUIDE PLATE:SWIVEL	U005_S003	95
D1752854	TENSION SPRING:GRIP:LEFT	U005_S010	96
		U005_S011	96
D1752858	LEVER:RELEASE:PAPER TRAY:OUTER	U005_S010	97
		U005_S011	97
D1752872	LINK:END FENCE:PAPER SIZE SENSOR	U005_S011	98
D1752886	COVER:TRAY:REAR RIGHT:NO.1	U005	99
D1752888	COVER:TRAY:REAR RIGHT:NO.2	U005	100
D1754654	SHAFT:LEVER:LOCK	U012_S001	114
D1771499	LCD:TFT:WVGA-9:LED:SH/AUO	U002	57
		U002_S009	57
		U002_S010	57
D1775686	(-AA-EU-NA-TWN-CHN):PCB:DCSW	U014	39
D1821500	SHIELD CASE:LCDC	U002	44
		U002_S001	44
		U002_S002	44
		U002_S003	44
		U002_S009	44
		U002_S010	44
D1821502	SHIELD TAPE:FFC	U002	45
		U002_S001	45
		U002_S002	45
		U002_S003	45
		U002_S009	45
		U002_S010	45
D1821517	BRACKET:LCDC:SH	U002	46

Number	Part Name	Group	ID
		U002_S009	46
		U002_S010	46
D1862880	(NA):HEAT SINK:HEATER:ASS'Y	U016	11
D1862890	(EU):HEAT SINK:HEATER:ASS'Y	U016	12
D1979010	(NA):(EU):(AA/KOR):SET:SEAL:OPTICAL WRITING UNIT	Special Tools	8
D1979510	OPC DRUM	U006_S001_S001	20
D1979590	NV-RAM	U014	40
D1979640	DEVELOPER BLACK	U006_S001_S002	21
<b>D2005603</b>	<b>(NA):(EU):(AA/KOR):(D200):(-57/-58-65/-69):PCB:JL2</b>	<b>U014</b>	<b>70</b>
<b>D2005614</b>	<b>(AA/KOR):(D201):(-29):PCB:JL2</b>	<b>U014</b>	<b>71</b>
<b>D2005615</b>	<b>(D202-29(AA)):(D200-25(CHN)):PCB:JL2</b>	<b>U014</b>	<b>72</b>
<b>D2005643</b>	<b>(D200):(-57/-58(NA))(-59(TWN))(-61/-62(CHN))(-64/-67(EU))(-69(AA)):PCB:JL2</b>	<b>U014</b>	<b>73</b>
<b>D2005653</b>	<b>(AA/KOR):(CHN):(TWN):(D200):(-19/-21/-29):PCB:JL2</b>	<b>U014</b>	<b>74</b>
D2005654	(AA/KOR):(CHN):(TWN):(D201):(-19/-21/-25/-29):PCB:JL2:G	U014	69
<b>D2005655</b>	<b>(AA/KOR):(CHN):(TWN):(D202):(-19/-21/-25/-29):PCB:JL2</b>	<b>U014</b>	<b>75</b>
D2005665	(AA/KOR):(D200):(-29):PCB:CTL_JL2	U014	43
D2006750	(D200-NA/EU/AA/KOR/TWN(-19)/CHN(-21)):DECAL:MODEL NAME PLATE	U017	30
D2006751	(CHN):(D200):(-25/-62):DECAL:MODEL NAME PLATE	U017	31
D2006753	(D200-TWN(59)/CHN(61)):DECAL:MODEL NAME PLATE(MP 4054SP)	U017	30
D2006754	(D200-CHN(62)):DECAL:MODEL NAME PLATE	U017	45
D2011241	CASE:DOOR:FRONT	U001	27
D2011242	DOOR:FRONT	U001	28
D2011261	COVER:REAR:LOWER	U001	52
D2011290	COVER:SCANNER:UPPER:REAR	U001	50

## Exclusive Parts

Number	Part Name	Group	ID
D2011401	(NA):(AA/KOR):OPERATION SUB-UNIT:INX:ASS'Y	U002_S001	47
		U002_S002	47
D2011402	(EU):OPERATION SUB-UNIT:INX:ASS'Y	U002_S003	48
D2011527	(KOR):SHEET:APPLICATION:MULTI-LANGUAGE	U017	43
D2011595	BRACKET:OPERATION SUB-UNIT:PEEN	U002	54
D2015673	(D201):PCB:CTL_JL2	U014	46
D2015676	(NA):(EU):(AA/KOR):(D201):(-57/-58/-65/-69):PCB:CTL_JL2	U014	48
D2016750	(D201):DECAL:MODEL NAME PLATE	U017	32
D2016751	(CHN):(D201):(-25/-62):DECAL:MODEL NAME PLATE	U017	33
D2017924	DUCT:EXHAUST:REAR:B	U015	44
D2020125	PROCESSES AROUND PHOTOCOINDUCTOR:SERVICE PARTS	U006_S001	71
D2021092	BRACKET:GRIP:FRONT	U015	25
D2021093	COVER:GRIP	U015	26
D2021095	BRACKET:GRIP:REAR	U015	27
D2021105	DRIVE UNIT:ENGINE:ASS'Y	U013_S001	56
D2021108	HOUSING:ASS'Y	U013_S001	32
D2021115	BRACKET:DRIVE UNIT:ASS'Y	U013_S001	33
D2021118	STAY:MIDDLE:ASS'Y	U013_S001	34
D2021122	JOINT:DEVELOPMENT	Special Tools	10
		U013_S001	35
D2021124	GEAR:DEVELOPMENT:1	U013_S001	36
D2021125	GEAR:USED TONER:1	U013_S001	37
D2021126	GEAR:USED TONER:2	U013_S001	38
D2021128	SHAFT:DRIVE:DRUM:ASS'Y	U013_S001_S001	39
D2021135	DAMPING INSULATION:DRIVE UNIT:ENGINE	U013	40
D2021137	GROUND PLATE:PHOTOCOINDUCTOR	U013	41
D2021152	BRACKET:DRIVE UNIT:PAPER FEED:ASS'Y	U013_S002	42
D2021163	BRACKET:FUSING/PAPER EXIT U	U013	43

Number	Part Name	Group	ID
	NIT:ASS'Y		
D2021170	BRACKET:SUPPORTING PLATE:FUSING/PAPER EXIT UNIT	U013	44
D2021172	GEAR:FUSING:NO.1	U013	45
D2021174	GEAR:FUSING:NO.2	U013	46
D2021175	GEAR:EXIT	U013	47
D2021176	GEAR:FUSING:NO.3	U013	48
D2021182	GROUND PLATE:DRIVE UNIT:ENGINE	U013	49
D2021184	GROUND PLATE:DRIVE UNIT:FUSING/PAPER EXIT UNIT	U013	50
D2021191	GEAR:GRIP:NO.1	U013	51
D2021193	STUD:PAPER FEED:GRIP:ASS'Y	U013_S003	52
		U013_S004	52
D2021195	PULLEY:GRIP:NO.2	U013	53
D2021196	HOUSING:DRIVE UNIT:PAPER FEED:ASS'Y	U013	54
D2021231	COVER:UPPER:FRONT	U001	23
D2021232	COVER:UPPER:EXIT	U001	24
D2021233	COVER:UPPER:INNER BACK	U001	25
D2021235	COVER:UPPER:INNER BACK:BIN	U001	26
D2021243	COVER:FRONT:UPPER:OPERATION SUB-UNIT	U001	29
D2021244	COVER:FRONT:RIGHT UPPER	U001	30
D2021245	COVER:FRONT:UPPER	U001	31
D2021246	GUIDE PLATE:COVER:FRONT:RIGHT UPPER	U001	32
D2021247	BAND:STOPPER:DOOR	U001	33
D2021249	MAGNET CATCH:COVER:FRONT	U001	34
D2021252	COVER:LEFT:UPPER:REAR	U001	36
D2021255	COVER:LEFT	U001	35
D2021261	COVER:REAR:UPPER	U001	38
D2021262	COVER:REAR:RIGHT UPPER	U001	39
D2021267	COVER:RIGHT:UPPER	U001	41
D2021269	COVER:REAR LOWER	U017	34
D2021270	CASE:SOUND PROOFING MATERIAL:FRONT	U015	28
D2021271	COVER:SOUND PROOFING MATERIAL	U015	29



## Exclusive Parts

Number	Part Name	Group	ID
	RIAL:FRONT		
D2021272	CASE:SOUND PROOFING MATERIAL:REAR	U015	30
D2021273	COVER:SOUND PROOFING MATERIAL:REAR	U015	31
D2021276	DECAL:INSERT SUB-UNIT:TONER BOTTLE	U001	42
D2021277	COVER	U001	43
D2021278	INNER COVER:OPTICAL WRITING UNIT	U015	32
D2021279	INNER COVER:FRONT	U001	44
D2021281	COVER:SCANNER:FRONT	U001	45
D2021284	COVER:SCANNER:LEFT	U001	46
D2021285	COVER:SCANNER:UPPER:LEFT	U001	47
D2021287	COVER:SCANNER:RIGHT	U001	48
D2021288	COVER:SCANNER:UPPER:RIGHT	U001	49
D2021300	CAP:FRONT:504HZ	U015	33
D2021301	CAP:FRONT:638HZ	U015	34
D2021303	CAP:REAR:638HZ	U015	35
D2021305	CAP:REAR:504HZ	U015	36
D2021405	(TWN):OPERATION SUB-UNIT:CO-C1:SH:TWN:ASS'Y	U002_S010	50
D2021414	(CHN):OPERATION SUB-UNIT:SH:ASS'Y	U002_S009	49
D2021455	PCB:LCDC:AR2FT:ASS'Y	U002_S001_S001	51
		U002_S002_S001	51
		U002_S003_S001	51
		U002_S004	51
		U002_S005	51
		U002_S006	51
		U002_S007	51
		U002_S008	51
		U002_S009_S001	51
		U002_S010_S001	51
D2021488	PCB:OP-R:ASS'Y	U002	20
		U002_S001	20
		U002_S002	20
		U002_S003	20

Number	Part Name	Group	ID
		U002_S009	20
		U002_S010	20
D2021500	SHEET:LCD:LOWER	U002	52
		U002_S001	52
		U002_S002	52
		U002_S003	52
D2021518	BRACKET:LCDC:CM	U002	53
		U002_S001	53
		U002_S002	53
		U002_S003	53
D2021598	COVER:BRACKET:OPERATION SUB-UNIT:LOWER	U002	55
D2021599	COVER:BRACKET:OPERATION SUB-UNIT:UPPER	U002	56
D2021703	DC STEPPER MOTOR	U003_S007	64
D2021721	ILLUMINATION UNIT:LED-B:ASS'Y	U003_S010	65
D2021771	LENS:HOLDER:ASS'Y	U003_S008	66
D2021813	BRACKET:DOCUMENT FEEDER:RIGHT	U003	67
D2021814	BRACKET:DOCUMENT FEEDER:LEFT	U003	68
D2021836	(NA):(EU):COVER:HEATER:SCANNER	U016_S002	13
		U016_S004	13
D2021860	OPTICAL WRITING UNIT:D200/D201/D202	U004_S001	3
D2022261	DRUM STAY:FRONT:ASS'Y	U006_S001_S001	22
D2022271	DRUM STAY:REAR:ASS'Y	U006_S001_S001	23
D2022291	HOLDER:CHARGE:FRONT	U006_S001_S001	24
D2022292	HOLDER:CHARGE:REAR	U006_S001_S001	25
D2022327	GEAR:COLLECTION COIL	U006_S001_S001	27
		S001	
D2022331	SHUTTER:DISCHARGE USED TONER	U006_S001_S001	28
		S001	
D2022332	TORSION SPRING:SHUTTER:PCU:0.6-1.3N	U006_S001_S001	29
		S001	
D2022333	SEAL:SHUTTER	U006_S001_S001	30
		S001	
D2022335	PICKOFF PAWL:ASS'Y	U006_S001_S001	31

## Exclusive Parts

Number	Part Name	Group	ID
D2022340	ELECTRODE PLATE:CHARGE	U006_S001_S001	32
D2022351	COVER:PCU:UPPER:ASS'Y	U006_S001_S001	33
D2022356	GRIP:PCU	U006_S001_S001	34
D2022375	GEAR:TRANSPORT SCREW:DISC HARGE USED TONER	U006_S001_S001	35
D2022380	DISCHARGE LAMP:ASS'Y	U006	36
D2022401	DISCHARGE LAMP:PCL:ASS'Y	U006	37
D2022404	FRAME:DISCHARGE LAMP	U006	38
D2022405	COVER:DISCHARGE LAMP	U006	39
D2022406	SHEET:DISCHARGE LAMP	U006	40
D2022407	SHEET:OPPOSED:OPTICS SENSOR	U006	41
D2022431	COVER:PCU:REAR:SUB-ASS'Y	U006_S001_S001	42
D2022551	STAY:REGISTRATION:ASS'Y	U005	101
D2022561	SHAFT:REGISTRATION ROLLER:DRIVEN	U005	102
D2022566	CASE:REMOVE PAPER DUST:ASS'Y	U005	103
D2022576	GUIDE PLATE:REGISTRATION:DRIVEN	U005	104
D2022581	GUIDE PLATE:REGISTRATION:DRIVE:ASS'Y	U008_S002	38
D2022587	REGISTRATION ROLLER:DRIVE	U008_S002	39
D2022612	DC SOLENOID:PICKUP:ASS'Y	U012_S001_S002	115
D2022614	COIL SPRING:RELEASE:PICKUP:MANUAL FEED	U012_S001_S002	116
D2022616	COVER:PAPER STOPPER:MANUAL FEED	U012_S001_S002	117
D2022617	ARM:PICKUP:MANUAL FEED	U012_S001_S002	118
D2022618	SHEET:PICKUP	U012_S001_S002	119
D2022619	TORSION SPRING:PICKUP	U012_S001_S002	120
D2022620	SHOE:TORSION SPRING:PICKUP	U012_S001_S002	121
D2022621	COVER:DAMPER	U012_S001_S002	122
D2022622	GROUND WIRE:MANUAL FEED UNIT	U012_S001_S002	123

Number	Part Name	Group	ID
	IT		
D2022624	COVER:PAPER END	U012_S001_S002	124
D2022631	SIDE FENCE:FRONT	U012_S001_S001	126
D2022633	SIDE FENCE:REAR	U012_S001_S001	127
D2022634	RACK:MANUAL FEED	U012_S001_S001	128
D2022638	FEELER:PAPER SIZE SENSOR:MANUAL FEED	U012_S001_S001	129
D2022640	EXTENSION TRAY:NO.1	U012_S001_S001	131
D2022641	EXTENSION TRAY:NO.2	U012_S001_S001	132
D2022642	PULLEY:WIRE:MANUAL FEED TABLE	U012_S001_S001	133
D2022646	ARM:MANUAL FEED:REAR UPPER	U012_S001_S001	134
<b>D2022651</b>	<b>MANUAL FEED TABLE</b>	<b>U012_S001_S001</b>	<b>185</b>
D2022653	ARM:LINK:PAPER STOPPER	U012_S001_S002	135
D2022654	CUSHION:GUIDE PLATE:SEPARATOR	U012_S001_S002	136
D2022658	SHEET:RACK:MANUAL FEED	U012_S001_S001	137
D2022669	COVER:MANUAL FEED TABLE	U012_S001_S001	130
D2022670	MANUAL FEED TABLE	U012_S001_S001	125
D2022673	GUIDE PLATE:VERTICAL TRANSPORT:NO.2:DRIVEN	U012_S001	143
D2022675	DECAL:SCALE:MANUAL FEED:FRONT	U012_S001_S001	138
D2022676	DECAL:SCALE:MANUAL FEED:MIDDLE	U012_S001_S001	139
D2022677	DECAL:SCALE:MANUAL FEED:REAR	U012_S001_S001	140
D2022691	GUIDE PLATE:VERTICAL TRANSPORT:NO.1:DRIVEN	U012_S001	142
D2022694	SHAFT:FLAT CONVEYER BELT:PULLEY	U012_S001	144
D2022697	HOLDER:DRIVEN:BELT	U012_S001	145
D2022714	GUIDE PLATE:VERTICAL TRANSPORT:PAPER FEED UNIT:NO.1	U005_S002	107
D2022735	PAPER FEED UNIT:NO.1:ASS'Y	U005_S002	127
D2022736	PAPER FEED UNIT:NO.2:ASS'Y	U005_S003	128
D2022759	TRANSPORT ROLLER:VERTICAL TRANSPORT:ASS'Y	U005_S002_S003	108
		U005_S003_S003	108

## Exclusive Parts

Number	Part Name	Group	ID
D2022778	FEELER:PAPER END	U005_S002	57
		U005_S003	57
D2022786	DISCHARGE BRUSH:PAPER FEED UNIT:UPPER	U005_S002	109
D2022787	GROUND PLATE:DISCHARGE BRUSH:PAPER FEED UNIT	U005_S002	110
D2022791	GUIDE:FEED	U005_S002	64
		U005_S003	64
D2022800	PAPER TRAY:NO.1:ASS'Y	U005_S010	111
D2022807	PAPER TRAY:NO.2:ASS'Y	U005_S011	112
D2022819	LINK:END FENCE:PAPER SIZE SENSOR:A3	U005_S010	113
D2022846	DECAL:SIZE INDICATION:END FENCE:FRONT	U005_S010	114
		U005_S011	114
D2022847	DECAL:SIZE INDICATION:END FENCE:REAR	U005_S010	115
		U005_S011	115
D2022865	COVER:PAPER TRAY:NO.1	U005_S010	116
D2022868	DECAL:SIZE INDICATION:SIDE FENCE:NO.1	U005_S010	117
		U005_S011	117
D2022885	SIDE FENCE:REAR:ASS'Y	U005_S010_S004	118
		U005_S011_S004	118
D2022887	COVER:PAPER TRAY:LEFT REAR	U005	119
D2022902	SUPPORTER:LEFT:NO.1:ASS'Y	U005_S006	120
D2022904	SUPPORTER:LEFT:NO.2:ASS'Y	U005_S007	121
D2022957	MANUAL FEED UNIT:ASS'Y	U012_S001_S002	146
D2022992	BRACKET:STOPPER:REGISTRATION	U008_S002	40
D2023028	SEAL:DEVELOPMENT:ASS'Y	U006_S001_S002	43
		S005	
D2023051	TONER SUPPLY SUB-UNIT:ASS'Y	U007_S001	14
D2023119	PLAIN SHAFT BEARING:TRANSPORT SCREW:RIGHT FRONT:ASS'Y	U006_S001_S002_S001	44
D2023121	PLAIN SHAFT BEARING:TRANSPORT SCREW:LEFT FRONT:ASS'Y	U006_S001_S002_S002	45
D2023123	PLAIN SHAFT BEARING:TRANSPORT SCREW:RIGHT REAR:ASS'Y	U006_S001_S002_S003	46
D2023125	PLAIN SHAFT BEARING:TRANSPORT SCREW:LEFT REAR:ASS'Y	U006_S001_S002_S004	47

Number	Part Name	Group	ID
D2023128	SHEET:PLAIN SHAFT BEARING:TRANSPORT SCREW	U006_S001_S002_S001	48
		U006_S001_S002_S002	48
		U006_S001_S002_S003	48
		U006_S001_S002_S004	48
D2023140	GEAR:DEVELOPMENT ROLLER	U006_S001_S002	49
D2023141	GEAR:TRANSPORT SCREW:REAR	U006_S001_S002	50
D2023143	GEAR:TRANSPORT SCREW:FRONT	U006_S001_S002	51
D2023145	GEAR:DEVELOPMENT ROLLER:IDLER	U006_S001_S002	52
D2023146	GEAR:TRANSPORT SCREW:IDLER	U006_S001_S002	53
D2023152	FILTER:DEVELOPMENT	U006_S001_S002	54
D2023260	HOLDER:TERMINAL:DEVELOPMENT VIAS	U006	58
D2023261	TERMINAL:DEVELOPMENT BIAS:ASS'Y	U006	59
D2023263	HOLDER:DEVELOPMENT BIAS:MAIN	U006	60
D2023264	TERMINAL:DEVELOPMENT BIAS:MAIN	U006	61
D2023290	TRANSPORT SCREW:DEVELOPMENT:RIGHT	U006_S001_S002	62
D2023292	TRANSPORT SCREW:DEVELOPMENT:LEFT	U006_S001_S002	63
D2023301	TRANSPORT SCREW:NOZZLE:ASS'Y	U007_S001_S001	9
D2023303	DRIVE UNIT:TONER SUPPLY:ASS'Y	U007_S001_S002	10
D2023304	HOUSING:TONER SUPPLY:ASS'Y	U007_S001_S003	11
D2023372	BASE:TONER CARTRIDGE	U007	12
D2023376	SEAL:BASE:SLIDE RAIL:LOWER	U007	13
D2023885	DENSITY SENSOR:AROUND THE PHOTOCONDUCTOR	U008_S002	41
D2023890	LED:RED	U008_S002	42

## Exclusive Parts

Number	Part Name	Group	ID
D2023951	HOUSING:MAIN:TRANSFER	U008	43
D2023952	TERMINAL:RECEPTACLE:MAIN:TRANSFER	U008	44
D2023960	CONNECTING SPRING:SEPARATION	U008_S002	45
D2023961	CONNECTING SPRING:TRANSFER	U008_S002	46
D2023962	ELECTRODE PLATE:TRANSFER	U008_S002	47
D2024146	PLAIN SHAFT BEARING:DIA4XDIA6X6	U010_S001	31
		U010_S002	31
		U010_S003	31
		U010_S004	31
		U010_S005	31
D2024215	GUIDE PLATE:FUSING EXIT	U010_S001	32
		U010_S002	32
		U010_S003	32
		U010_S004	32
		U010_S005	32
D2024224	STRIPPER PLATE:FUSING EXIT	U010_S001	33
		U010_S002	33
		U010_S003	33
		U010_S004	33
		U010_S005	33
D2024233	LEVER:LOCK:PRESSURE	U010_S001	34
		U010_S002	34
		U010_S003	34
		U010_S004	34
		U010_S005	34
D2024234	LEVER:PRESSURE RELEASE:FRONT:ASS'Y	U010_S001	35
		U010_S002	35
		U010_S003	35
		U010_S004	35
		U010_S005	35
D2024236	LEVER:PRESSURE:FRONT:PEEN	U010_S001	36
		U010_S002	36
		U010_S003	36
		U010_S004	36
		U010_S005	36
D2024244	LEVER:PRESSURE RELEASE:REAR	U010_S001	37

Number	Part Name	Group	ID
	R:ASS'Y	U010_S002	37
		U010_S003	37
		U010_S004	37
		U010_S005	37
D2024245	DECAL:C:GUIDE PLATE:FUSING EXIT	U010_S001	38
		U010_S002	38
		U010_S003	38
		U010_S004	38
		U010_S005	38
D2024246	LEVER:PRESSURE:REAR:PEEN	U010_S001	39
		U010_S002	39
		U010_S003	39
		U010_S004	39
		U010_S005	39
D2024252	FUSING ENTRANCE GUIDE PLATE	U010_S001	40
		U010_S002	40
		U010_S003	40
		U010_S004	40
		U010_S005	40
D2024256	BRACKET:PRESSURE ROLLER:REAR	U010_S001	41
		U010_S002	41
		U010_S003	41
		U010_S004	41
		U010_S005	41
D2024258	STAY:GEAR	U010_S001	42
		U010_S002	42
		U010_S003	42
		U010_S004	42
		U010_S005	42
D2024262	FUSING COVER:UPPER	U010_S001	43
		U010_S002	43
		U010_S003	43
		U010_S004	43
		U010_S005	43
D2024263	DECAL:H-TEMP WARNING:FUSING	U010_S001	44
		U010_S002	44
		U010_S003	44
		U010_S004	44

## Exclusive Parts

Number	Part Name	Group	ID
		U010_S005	44
D2024266	BRACKET:PRESSURE ROLLER:FRONT	U010_S001	45
		U010_S002	45
		U010_S003	45
		U010_S004	45
		U010_S005	45
D2024274	FRAME:LOWER:FUSING	U010_S001	61
		U010_S002	61
		U010_S003	61
		U010_S004	61
		U010_S005	61
D2024309	FLAT NUT:THERMISTOR:PRESSURE ROLLER	U010_S001	46
		U010_S002	46
		U010_S003	46
		U010_S004	46
		U010_S005	46
D2024313	PRESSURE ROLLER:DIA32	U010_S001	47
		U010_S002	47
		U010_S003	47
		U010_S004	47
		U010_S005	47
D2024335	ELECTRODE PLATE:MIDDLE	U010_S001	48
		U010_S002	48
		U010_S003	48
		U010_S004	48
		U010_S005	48
D2024337	ELECTRODE PLATE:REAR	U010_S001	49
		U010_S002	49
		U010_S003	49
		U010_S004	49
		U010_S005	49
D2024374	COVER:HARNESS	U010_S001	50
		U010_S002	50
		U010_S003	50
		U010_S004	50
		U010_S005	50
D2024386	ELECTRODE PLATE:FRONT	U010_S001	51
		U010_S002	51

Number	Part Name	Group	ID
		U010_S003	51
		U010_S004	51
		U010_S005	51
D2024405	PAPER EXIT UNIT:ASS'Y	U011_S001	64
D2024421	GEAR:EXIT ROLLER	U011_S001	49
D2024426	BRACKET:DC STEPPER MOTOR:REVERSE	U011_S001	50
D2024431	DC SOLENOID:ASS'Y	U011_S001_S001	51
D2024452	GUIDE PLATE:EXIT:LOWER	U011_S001	52
D2024458	ROLLER:DRIVEN:EXIT	U011_S001	55
D2024459	ROLLER:DRIVEN:EXIT:MIDDLE	U011_S001_S002	56
		U011_S001_S003	56
D2024460	ARM:ROLLER:DRIVEN:EXIT:FRONT MIDDLE	U011_S001_S002	57
D2024461	ARM:ROLLER:DRIVEN:EXIT:REAR MIDDLE	U011_S001_S003	58
D2024462	SPRING PLATE:ROLLER:DRIVEN:EXIT:MIDDLE	U011_S001_S002	59
		U011_S001_S003	59
D2024466	ROLLER:DRIVEN:EXIT:FRONT MIDDLE:ASS'Y	U011_S001_S002	53
D2024467	ROLLER:DRIVEN:EXIT:REAR MIDDLE:ASS'Y	U011_S001_S003	54
D2024477	REVERSE ROLLER	U011_S001	60
D2024481	GATE PAWL:EXIT	U011_S001	61
D2024491	INNER COVER:EXIT	U011	62
D2024511	DUPLEX UNIT:ASS'Y	U012_S001	183
D2024630	COVER:DUPLEX	U012_S001	147
D2024634	ARM:PRESSURE RELEASE:FRONT	U012_S001	148
D2024635	ARM:PRESSURE RELEASE:REAR	U012_S001	149
D2024644	GEAR:MECHANICAL ROLLER CLUTCH	U012_S001	79
D2024647	TRANSPORT ROLLER:DUPLEX:2	U012_S001	150
D2024651	GEAR:PULLEY	U012_S001	151
D2024652	TRANSPORT ROLLER:ENTRANCE	U012_S001	152
D2024661	HOOK:STOPPER:DUPLEX UNIT:FRONT	U012_S001	153
D2024667	GUIDE PLATE:DUPLEX:EXIT	U012_S001	154

## Exclusive Parts

Number	Part Name	Group	ID
D2024668	GUIDE:REGISTRATION:ENTRANCE:REAR	U012_S001	155
D2024669	GUIDE:REGISTRATION:ENTRANCE:FRONT	U012_S001	156
D2024671	GUIDE PLATE:DUPLEX:ENTRANCE	U012_S001	157
D2024673	FEELER:DUPLEX:ENTRANCE SENSOR	U012_S001	158
D2024674	TORSION SPRING:DUPLEX:ENTRANCE SENSOR	U012_S001	159
D2024677	GUIDE PLATE:DRIVEN	U012_S001	160
D2024679	DRIVEN ROLLER:DIA16:DUPLEX	U012_S001	161
D2024680	BRACKET:DRIVEN ROLLER:PRESSURE	U012_S001	162
D2024682	DRIVEN ROLLER:DIA16	U012_S001	163
D2024683	COVER:GUIDE PLATE:DRIVEN	U012_S001	164
D2024684	GROUND WIRE:BRACKET:DRIVEN ROLLER	U012_S001	165
D2024690	GUIDE PLATE:UPPER	U012_S001	166
D2024691	COMPRESSION SPRING:SHAFT:GUIDE PLATE:UPPER	U012_S001	167
D2024692	SHAFT:PRESSURE:GUIDE PLATE:UPPER	U012_S001	168
D2024706	BRACKET:MOTOR:DUPLEX:ENTRANCE	U012_S001	169
D2024708	GEAR:IDLER	U012_S001	170
D2024717	GEAR:FEED:MANUAL FEED:DRIVE	U012_S001	92
D2024718	GEAR:SEPARATOR:MANUAL FEED:DRIVE	U012_S001	93
D2024719	GEAR:TRANSPORT ROLLER:MANUAL FEED	U012_S001	94
D2024721	BRACKET:LINK:DUPLEX	U012_S001	171
D2024722	LINK:DUPLEX	U012_S001	172
D2024725	TORSION SPRING:LINK:CONTACT POINT	U012_S001	173
D2024730	INNER COVER:REAR:DUPLEX	U012_S001	174
D2024731	INNER COVER:FRONT:DUPLEX	U012_S001	175
D2024732	ARM:PUSH SWITCH	U012_S001	176

Number	Part Name	Group	ID
D2024741	BRACKET:STUD:LEVER	U012	177
D2024802	PAPER STOPPER:MANUAL FEED	U012_S001_S002	178
D2025138	PCB:SIO	U003	69
<b>D2025140</b>	<b>PCB:BCU:SRD:ASS'Y</b>	<b>U014</b>	<b>76</b>
D2025185	(NA):(EU):PCB:DHB	U016	14
D2025187	(EU):(AA/KOR):(CHN):CHOKE COIL	U014	50
D2025201	INTERFACE CABLE:SCANNER:LVDS:ASS'Y	U003	70
D2025640	(EU/AA/NA/TWN):PCB:IMAGE PROCESSING UNIT	U014	51
D2025642	(CHN):PCB:IMAGE PROCESSING UNIT	U014	51
D2025653	(D202):PCB:CTL_JL2	U014	53
D2025676	(NA):(EU):(AA/KOR):(D202):(-57/-58/-65/-69):PCB:CTL_JL2	U014	55
D2025800	COVER:RACK	U014	56
D2025811	COVER:FAX	U014	57
D2025812	DRUM STAY:CONTROL BOARD:PEEN	U014	68
D2025818	BRACKET:HDD	U014	66
D2025826	STEPPED SCREW:SAFETY SWITCH:H:M2.5	U014	58
D2025827	BRACKET:SAFETY SWITCH:RIGHT:2	U014	59
D2025829	TORSION SPRING:SAFETY SWITCH:H:3.7N	U014	60
D2025835	BRACKET:MAIN SWITCH	U014	61
D2025838	BRACKET:SAFETY SWITCH:LEFT:2	U014	62
D2025888	COVER:C/T BOX	U014	63
D2026210	TRANSFER/SEPARATION UNIT:ASS'Y	U008_S002	70
D2026211	TRANSFER ROLLER:ASS'Y	U008_S002	48
D2026220	FRAME:TRANSFER/SEPARATION UNIT:ASS'Y	U008_S002	69
D2026255	DECAL:GRIP:B	U008_S002	49
D2026260	LEVER:PRESSURE:TRANSFER ROLLER:FRONT	U008_S002	50

## Exclusive Parts

Number	Part Name	Group	ID
D2026261	LEVER:PRESSURE:TRANSFER ROLLER:REAR	U008_S002	51
D2026264	COMPRESSION SPRING:PRESSURE:TRANSFER ROLLER	U008_S002	52
D2026265	LEVER:PRESSURE:GUIDE PLATE	U008_S002	53
D2026267	SHAFT:LEVER:ON-OFF	U008_S002	54
D2026268	LEVER:ON-OFF:TRANSFER ROLLER:FRONT	U008_S002	55
D2026269	LEVER:ON-OFF:TRANSFER ROLLER:REAR	U008_S002	56
D2026271	GUIDE:TRANSPORT:TRANSFER	U008_S002	57
D2026272	BASE:GUIDE:TRANSFER	U008_S002	58
D2026273	COMPRESSION SPRING:TRANSPORT SUB-UNIT	U008_S002	59
D2026276	GROUND PLATE:TRANSFER/SEPARATION UNIT	U008_S002	60
D2026277	GROUND PLATE:REGISTRATION ROLLER	U008_S002	61
D2026280	GROUND PLATE:SEPARATION	U008_S002	62
D2026281	LEVER:SET:REAR	U008_S002	63
D2026285	LEVER:SET:FRONT	U008_S002	64
D2026291	GUIDE:SET:TRANSFER/SEPARATION UNIT:REAR	U008	71
D2026346	LINK:TRANSFER/SEPARATION UNIT	U008_S002	65
D2026350	BRACKET:DRIVE UNIT	U008	66
D2026351	CAM:ON-OFF:TRANSFER	U008	67
D2026352	SHAFT:ON-OFF:DRIVE	U008	68
D2026410	COLLECTION BOTTLE:ASS'Y	U009_S001	17
D2026511	BRACKET:TONER RECYCLING SELECTION:MAIN ASS'Y:ASS'Y	U009_S002	18
D2026562	BRACKET:DRIVE SUB-UNIT:COLLECTION BOTTLE	U009_S002	19
D2026598	SHEET:RAIL	U015	37
D2026599	SHEET:USED TONER	U015	38
D2026750	(D202):DECAL:MODEL NAME PLATE	U017	35
D2026752	(CHN):(D202):(-25/-62):DECAL:MODEL NAME PLATE	U017	36

Number	Part Name	Group	ID
	EL NAME PLATE		
D2026862	DECAL:SIZE INDICATION:PAPER TRAY	U017	37
D2027911	DUCT:RIGHT:UPPER	U015	39
D2027912	DUCT:RIGHT:LOWER	U015	40
D2027921	DUCT:EXHAUST:UPPER:C	U015	41
D2027922	DUCT:EXHAUST:UPPER:D	U015	42
D2027923	DUCT:EXHAUST:REAR:A	U015	43
D2027925	SEAL:EXHAUST:REAR:A	U015	45
D2027926	SEAL:EXHAUST:REAR:B	U015	46
D2027927	DEODORIZE FILTER	U015	47
D2027941	DUCT:DEVELOPMENT:BEARING:REAR:A	U015	48
D2027942	DUCT:DEVELOPMENT:BEARING:REAR:B	U015	49
D2027946	DUCT:DEVELOPMENT:BEARING:FRONT	U015	50
D2027947	DUCT:RAIL:PCU	U015	51
D2027949	SEAL:DUCT	U015	52
D2027961	THERMISTOR:290MM	U015	53
D2027970	DUCT:LEFT:FAN:UPPER	U015	54
D2027971	DUCT:LEFT:FAN:LOWER	U015	55
D2027972	DUCT:REAR	U015	56
D2027980	(NA):(EU):THERMOSTAT:ASS'Y	U016_S001	20
		U016_S003	20
D2027981	(NA):(EU):THERMOSTAT	U016_S001	15
		U016_S003	15
D2027982	(NA):(EU):BRACKET:THERMOSTAT	U016_S001	16
		U016_S003	16
D2027996	FILTER:DUCT:DEVELOPMENT	U015	57
D2145760	(EU(65)):IC CARD:NFC_HEDGEHOG-M	U017	44
D2411251	COVER:LEFT:UPPER	U001	51
D2411727	SHEET:GAP:ASS'Y	U003	31
D2412685	DECAL:PAPER SET DIRECTION:MANUAL FEED	U012_S001_S001	141
D2412730	STAY:SEPARATE:PEEN	U005_S002	126
		U005_S003	126

## Exclusive Parts

Number	Part Name	Group	ID
D2412731	STOPPER:GUIDE PLATE:SWIVEL	U005	129
D2412736	BRACKET:SEPARATE:REAR	U005_S002	39
		U005_S003	39
D2442856	GRIP:PAPER TRAY	U005_S010	79
		U005_S011	79
D2581317	HOLDER:GLASS:CLEANER:ASS'Y	U017	16
D2891265	COVER:RIGHT:REAR	U001	53
D6836031	DECAL:SET:ORIGINAL TABLE	U017	38
D6846031	(EU):DECAL:ORIGINAL TABLE	U017	39
D6846061	(NA):(EU):(AA/KOR):(TWN):DECAL:: ORIGINAL:MANY LANGUAGES	U017	40
D6883529	TIMING BELT:B40S2M224	U013_S001	55
D7390071	(NA):HEATER:SCANNER:ASS'Y	U016_S002	17
D7390072	(EU):HEATER:SCANNER:ASS'Y	U016_S004	18
D8692222	PCU:SERVICE PARTS	U006_S001_S001	70
D8693021	DEVELOPMENT UNIT:SERVICE PARTS	U006_S001_S002	66
D8694012	(EU):(AA/KOR):(CHN):FUSING UNIT: SERVICE	U010_S003	53
D8694020	(EU):SLEEVE:SERVICE	U010_S002_S001	55
D8694031	(NA):SLEEVE:SERVICE	U010_S001	56
D8694032	(EU):(AA/KOR):(CHN):SLEEVE:SERVICE	U010_S002_S001	57
		U010_S003	57
		U010_S004	57
D8694033	(TWN):SLEEVE:SERVICE	U010_S005	58
D8694051	(NA):FUSING UNIT:SERVICE	U010_S001	52
D8694052	(EU):(AA):FUSING UNIT:SERVICE	U010_S002	53
		U010_S004	53
D8694053	(TWN):FUSING UNIT:TWN:SERVICE	U010_S005	54
G0652767	LEVER - FEED	U005_S002	122
		U005_S003	122
G1281151	(NA):(EU):DECAL:WARNING (HIGH TEMPERATURE)	U016	19
G4042810	SPRING PLATE - 2ND MIRROR	U003_S006	71
G5701225	SENSOR SHIELDING PLATE	U003	72
GA003268	(SP/SPG/ZSP/ASP/AZSP):DECAL:PDF:I-GRAY:ABS	U017	41

Number	Part Name	Group	ID
GA080030	PLAIN SHAFT BEARING:CLEANER:ROLLER	U006_S001_S001	67
GW010007	PHOTO REFLECTION SENSOR:EXIT	U005	123
		U005_S002	123
		U005_S003	123
		U011_S001	63
		U012_S001	179
GX640031	FAN MOTOR:DC:2.64W	U015	58
H3064109	(TWN):DECAL - LASER CLASS1	U017	42
M0261815	CLAMP:MIRROR:NO.1	U003_S009	73
M0662743	FRICTION PAD:MANUAL FEED TABLE:18X7.5	U012_S001_S001	180
M0662749	OIL DAMPER:STRAIGHT:30N	U012_S001_S002	181
<b>M0AN2302</b>	<b>FRAME:PCU:UPPER:ASS'Y</b>	<b>U006_S001_S001_S001</b>	<b>75</b>
M4445201	HDD:320GB:AQUARIUS	U014	67
VSSG9002	FLUOTRIBO MG GREASE : 100G	Special Tools	9



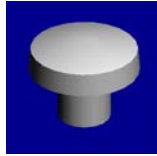
## Standard Parts



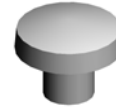
03130060N  
SCREW - M3X6



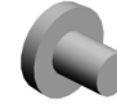
03140120N  
SCREW - M4X12



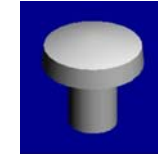
03520030N  
SCREW:M2X3



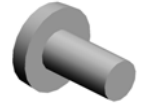
03530030N  
SCREW:M3X3



03530040N  
SCREW - M3X4



03530050N  
SCREW-M3X5



03530060N  
BIND SCREW - M3X6



03530080N  
SCREW:M3X8



03603006N  
SCREW - M3X6



03603008N  
SCREW:M3X8



04503025N  
TAPPING SCREW:3X25



04513006N  
TAPPING SCREW - 3X6

04513008P  
TAPPING SCREW:ROUND P  
OINT:3X8



04513016N  
TAPPING SCREW - 3X16



04523008N  
TAPPING SCREW - M3X8



04523010N  
BINDING SELF-TAPPING SC  
REW:3X10



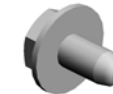
04533008N  
BINDING SELF TAPPING SC  
REW:3X8



04543005Q  
TAPPING SCREW::3X5



04543006N  
TAPPING SCREW:ROUND P  
OINT:3X6



04543006Q  
TAPPING SCREW - M3X6



04543008N  
TAPPING SCREW:ROUND P  
OINT:3X8



04543008Q  
TAPPING SCREW:3X8



04583008N  
HEXAGON HEAD TAPPING S  
CREW:3X8



04583010N  
HEXAGON HEAD TAPPING S  
CREW:3X10



04593008N  
BINDING HEAD TAPPING SC  
REW:3X8



04593010N  
BINDING HEAD TAPPING SC  
REW:3X10



06220100E  
SPRING PIN - 2X10MM



06220160E  
SPRING PIN - 2X16MM

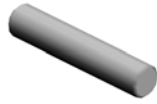
## Standard Parts



06220180E  
SPRING PIN - 2X18MM



06230100E  
SPRING PIN - 3X10MM



06320100G  
PIN - 2X10MM



07200030E  
RETAINING RING - M3



07200040E  
RETAINING RING - M4



07200060E  
RETAINING RING - M6



07250100E  
RETAINING RING C - M10



08025299  
TAPPING SCREW - M3X8



08025312  
TAPPING SCREW:WASHER:3  
X10



08046123  
HEXAGONAL BOLT:W/WASH  
ER:M3X8



08046127  
HEXAGONAL BOLT:DOUBLE  
SCREW:M3X8



08050089  
RETAINING RING - M4



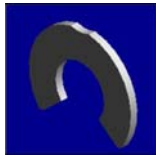
08050092  
RETAINING RING - 3M



08050103  
RETAINING RINGS-E:SILENC  
ER:DIA3



08050104  
RETAINING RINGS-E:SILENC  
ER:DIA4



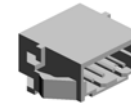
08050106  
RETAINING RINGS-E:SILENC  
ER:DIA6



09543012N  
SCREW - M3X12



09573006N  
SCREW:SMALL ROUND/SPRI  
NG:M3X6



11024559  
CONNECTOR - 3P



11028502  
CONNECTOR - 54679-1615



11028534  
CONNECTOR - QR/P17-14S-  
B



11029782  
CONNECTOR:51405-1819



11050488  
HARNESS CLAMP



11050582  
CLAMP:RBWS-0510D-V0



11050653  
CLAMP:RLWS-2T V0



11050687  
CLAMP:FC-30

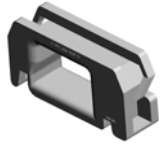


11050692  
CLAMP:LES-0503

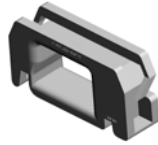


11050699  
SPECER:SQ-12

## Standard Parts



11050723  
CLAMPS:WES-0507



11050724  
CLAMPS:WES-1210



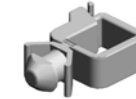
11050725  
CLAMPS:WES-1117



11050726  
CLAMPS:WES-2217



11050758  
CLAMP:LWSM-0306A



11050759  
CLAMP:LWSM-0605A



11050760  
CLAMP:LWSM-0511A



11050761  
CLAMP:LWS-0511A



11050762  
CLAMP:LWS-0711A



11050763  
CLAMP:LWS-1211A



11050764  
CLAMP:LWS-1316A



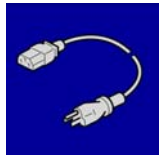
11050765  
CLAMP:LWS-2218A



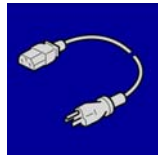
11050769  
CLAMP:FGCS-5



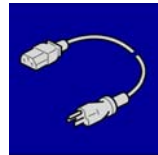
11050792  
SPACER:PCB-4S-V0



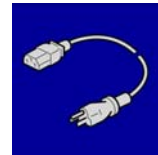
11500440  
(NA):POWER SUPPLY CODE: 120V:15A



11500441  
(EU):(AA/KOR):POWER SUPPLY CODE:250V:10A



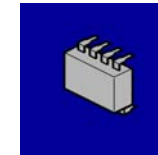
11500442  
(CHN):POWER SUPPLY CODE:250V:10A



11500443  
(TWN):POWER SUPPLY CODE:125V:15A



12042612  
MICRO SWITCH:D3V-16506-3 C25



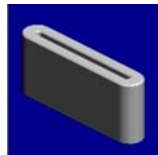
14077667  
EEPROM:BR24T128-W



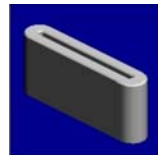
16072249  
FERRITE CORE:K3 NF-70-A(N)BK0



16072251  
FERRITE CORE:K3 NF-75(N)BK0



16072292  
FERRITE CORE:K3 FF 31.00X 8.00X3.00X0.50



16072298  
FERRITE CORE:K3 FF 33.50X 8.00X6.50X1.30

## PM Part List

Number	Part Name	Num	Group	ID
AD027034	ROLLER:CHARGE	1	U006_S001_S001	15
AD041161	BLADE:CLEANING:8799:ASS'Y	1	U006_S001_S001	72
AD042078	BRUSH ROLLER:CLEANER:CHARGE	1	U006_S001_S001	17
AE030097	RADIAL BALL BEARING:DIA10XDIA22X6	10	U010_S001	62
			U010_S002	62
			U010_S003	62
			U010_S004	62
			U010_S005	62
D1979510	OPC DRUM	1	U006_S001_S001	20
D1979640	DEVELOPER BLACK	1	U006_S001_S002	21
D2022335	PICKOFF PAWL:ASS'Y	2	U006_S001_S001	31
D2023028	SEAL:DEVELOPMENT:ASS'Y	1	U006_S001_S002_S005	43
D2023119	PLAIN SHAFT BEARING:TRANSPORT SCREW:RIGHT FRONT:ASS'Y	1	U006_S001_S002_S001	44
D2023121	PLAIN SHAFT BEARING:TRANSPORT SCREW:LEFT FRONT:ASS'Y	1	U006_S001_S002_S002	45
D2023123	PLAIN SHAFT BEARING:TRANSPORT SCREW:RIGHT REAR:ASS'Y	1	U006_S001_S002_S003	46
D2023125	PLAIN SHAFT BEARING:TRANSPORT SCREW:LEFT REAR:ASS'Y	1	U006_S001_S002_S004	47
D2023152	FILTER:DEVELOPMENT	3	U006_S001_S002	54
D2024313	PRESSURE ROLLER:DIA32	5	U010_S001	47
			U010_S002	47
			U010_S003	47
			U010_S004	47
			U010_S005	47
D2026211	TRANSFER ROLLER:ASS'Y	1	U008_S002	48
D2026410	COLLECTION BOTTLE:ASS'Y	1	U009_S001	17
D8694031	(NA):SLEEVE:SERVICE	1	U010_S001	56
D8694032	(EU):(AA/KOR):(CHN):SLEEVE:SERVICE	3	U010_S002_S001	57
			U010_S003	57

Number	Part Name	Num	Group	ID
			U010_S004	57
D8694033	(TWN):SLEEVE:SERVICE	1	U010_S005	58

## Design Change List

Number	Title	Set	Old Part		New Part		Index No.		Q'ty	Interchg		Reason	Cut-in S/N
			P/N	Name	P/N	Name	Group	ID		Indiv.	Set		
201711-01	1711 Modification	-			D1494706	PIN:ARM:FRONT LOWER	U012_S001_S001	184	1				
201711-02	1711 Modification	-			D2022651	MANUAL FEED TABLE	U012_S001_S001	185	1				
201711-03	1711 Modification	-	D2022302	FRAME:PCU:UPPER:ASS'Y	M0AN2302	FRAME:PCU:UPPER:ASS'Y	U006_S001_S001_S001	75	1	O/O			
201711-04	1711 Modification	-	D2005672	(AA/KOR):(CHN):(TWN):(D200):(-19/-21/-29):PCB:CTL_JL2	D2005653	(AA/KOR):(CHN):(TWN):(D200):(-19/-21/-29):PCB:JL2	U014	74	1	X/O			
			D2005672	(AA/KOR):(CHN):(TWN):(D200):(-19/-21/-29):PCB:CTL_JL2	D2005653	(AA/KOR):(CHN):(TWN):(D200):(-19/-21/-29):PCB:JL2	U014	74	1	X/O			
			D2005672	(AA/KOR):(CHN):(TWN):(D200):(-19/-21/-29):PCB:CTL_JL2	D2005653	(AA/KOR):(CHN):(TWN):(D200):(-19/-21/-29):PCB:JL2	U014	74	1	X/O			
201711-05	1711 Modification	-	D2005673	(D200):(-57/-58(N A))(-59(TWN))(-61/-62(CHN))(-64/-67(EU))(-69(AA)):PCB:CTL_JL2	D2005643	(D200):(-57/-58(N A))(-59(TWN))(-61/-62(CHN))(-64/-67(EU))(-69(AA)):PCB:JL2	U014	73	1	X/O			
201711-06	1711 Modification	-	D2025685	(D202-29(AA)):(D200-25(CHN)):PCB:CTL_JL2	D2005615	(D202-29(AA)):(D200-25(CHN)):PCB:JL2	U014	72	1	X/O			
			D2025685	(D202-29(AA)):(D200-25(CHN)):PCB:CTL_JL2	D2005615	(D202-29(AA)):(D200-25(CHN)):PCB:JL2	U014	72	1	X/O			

## Design Change List

Number	Title	Set	Old Part		New Part		Index No.		Q'ty	Interchg		Reason	Cut-in S/N
			P/N	Name	P/N	Name	Group	ID		Indiv.	Set		
201711-07	1711 Modification	-	D2015675	(AA/KOR):(D201):(-29):PCB:CTL_JL2	D2005614	(AA/KOR):(D201):(-29):PCB:JL2	U014	71	1	X/O			
201711-08	1711 Modification	-	D2025652	(AA/KOR):(CHN):(TWN):(D202):(-19/-21/-25/-29):PCB:CTL_JL2	D2005655	(AA/KOR):(CHN):(TWN):(D202):(-19/-21/-25/-29):PCB:JL2	U014	75	1	X/O			
			D2025652	(AA/KOR):(CHN):(TWN):(D202):(-19/-21/-25/-29):PCB:CTL_JL2	D2005655	(AA/KOR):(CHN):(TWN):(D202):(-19/-21/-25/-29):PCB:JL2	U014	75	1	X/O			
			D2025652	(AA/KOR):(CHN):(TWN):(D202):(-19/-21/-25/-29):PCB:CTL_JL2	D2005655	(AA/KOR):(CHN):(TWN):(D202):(-19/-21/-25/-29):PCB:JL2	U014	75	1	X/O			
201711-09	1711 Modification	-	D2005676	(NA):(EU):(AA/KOR):(D200):(-57/-58/-65/-69):PCB:CTL_JL2	D2005603	(NA):(EU):(AA/KOR):(D200):(-57/-58/-65/-69):PCB:JL2	U014	70	1	X/O			
			D2005676	(NA):(EU):(AA/KOR):(D200):(-57/-58/-65/-69):PCB:CTL_JL2	D2005603	(NA):(EU):(AA/KOR):(D200):(-57/-58/-65/-69):PCB:JL2	U014	70	1	X/O			
			D2005676	(NA):(EU):(AA/KOR):(D200):(-57/-58/-65/-69):PCB:CTL_JL2	D2005603	(NA):(EU):(AA/KOR):(D200):(-57/-58/-65/-69):PCB:JL2	U014	70	1	X/O			
201711-10	1711 Modification	-	D2025106	PCB:BCU:CRN-C1:SRD:ASS'Y	D2025140	PCB:BCU:SRD:ASS'Y	U014	76	1	X/O			
201710-02	1710 Modification	-	D2011265	COVER:RIGHT:R	D2891265	COVER:RIGHT:R	U001	53	1	O/O			

## Design Change List

Number	Title	Set	Old Part		New Part		Index No.		Q'ty	Interchg		Reason	Cut-in S/N
			P/N	Name	P/N	Name	Group	ID		Indiv.	Set		
		-		EAR		EAR							
201709-01	1709 Modification	-			D2021122	JOINT:DEVELOPMENT	Special Tools	10	1				
201709-02	1709 Modification	-	D2015672	(AA/KOR):(CHN):(TWN):(D201):(-19/-21/-25/-29):PCB:CTL_JL2	D2005654	(AA/KOR):(CHN):(TWN):(D201):(-19/-21/-25/-29):PCB:JL2:G	U014	69	1	X/O			
			D2015672	(AA/KOR):(CHN):(TWN):(D201):(-19/-21/-25/-29):PCB:CTL_JL2	D2005654	(AA/KOR):(CHN):(TWN):(D201):(-19/-21/-25/-29):PCB:JL2:G	U014	69	1	X/O			
			D2015672	(AA/KOR):(CHN):(TWN):(D201):(-19/-21/-25/-29):PCB:CTL_JL2	D2005654	(AA/KOR):(CHN):(TWN):(D201):(-19/-21/-25/-29):PCB:JL2:G	U014	69	1	X/O			
201707-01	1707 Modification	-	AE030092	RADIAL BALL BEARING:DIA10XDI A22X6	AE030097	RADIAL BALL BEARING:DIA10XDI A22X6	U010_S001	62	2	O/O			
							U010_S002	62	2				
							U010_S003	62	2				
							U010_S004	62	2				
							U010_S005	62	2				
201707-02	1707 Modification	-			AD043098	TRANSPORT SCREW:DISCHARGE USED TONER	U006_S001_S001	73	1				
201705-01	1705 Modification	-	D2011260	COVER:REAR:LOWER	D2011261	COVER:REAR:LOWER	U001	52	1	O/O			
201704-01	1704 Modification	-	AD041158	BLADE:CLEANING:8799:ASS'Y	AD041161	BLADE:CLEANING:8799:ASS'Y	U006_S001_S001	72	1	X/O			
201704-02	1704 Modification	-			D2006754	(D200-CHN(62)):DECAL:MODEL NAME PLATE	U017	45	1				

## Design Change List

Number	Title	Set	Old Part		New Part		Index No.		Q'ty	Interchg		Reason	Cut-in S/N
			P/N	Name	P/N	Name	Group	ID		Indiv.	Set		
201702-01	1702 Modification	-			D2412731	STOPPER:GUIDE PLATE:SWIVEL	U005	129	1				
					D2412731	STOPPER:GUIDE PLATE:SWIVEL	U005	129	1				
201702-02	1702 Modification	-	D1492856	GRIP:PAPER TR AY	D2442856	GRIP:PAPER TR AY	U005_S010	79	1	X/O			
							U005_S011	79	1				
201612-01	1612 Modification	-	D2024694	HARNESS:DUPL EX	D2894694	HARNESS:DUPL EX	G2(1/1)		1	X/O			
201612-02	1612 Modification	-			D2024405	PAPER EXIT UNI T:ASS'Y	U011_S001	64	1				
201612-03	1612 Modification	-			D2025812	DRUM STAY:CO NTROL BOARD:P EEN	U014	68	1				
201611-01	1611 Modification	-	D2021265	COVER:RIGHT:R EAR	D2011265	COVER:RIGHT:R EAR	U001	40	1	O/O			
201611-02	1611 Modification	-			D2024274	FRAME:LOWER: FUSING	U010_S001	61	1				
							U010_S002	61	1				
							U010_S003	61	1				
							U010_S004	61	1				
							U010_S005	61	1				
201611-03	1611 Modification	-			D2021105	DRIVE UNIT:ENG INE:ASS'Y	U013_S001	56	1				
201610-01	1610 Modification	-			D2145760	(EU(65)):IC CARD :NFC_HEDGEHO G-M	U017	44	1				
201610-02	1610 Modification	-	D1491317	HOLDER:GLASS: CLEANER:ASS'Y	D2581317	HOLDER:GLASS: CLEANER:ASS'Y	U017	16	1	O/O			
201610-03	1610 Modification	A	D2021241	CASE:DOOR:FR ONT	D2011241	CASE:DOOR:FR ONT	U001	27	1	X/X			
201610-04	1610 Modification	A	D2021242	DOOR:FRONT	D2011242	DOOR:FRONT	U001	28	1	X/X			



## Design Change List

Number	Title	Set	Old Part		New Part		Index No.		Q'ty	Interchg		Reason	Cut-in S/N
			P/N	Name	P/N	Name	Group	ID		Indiv.	Set		
201609-01	1609 Modification	-	D2021595	BRACKET:OPERATION SUB-UNIT	D2011595	BRACKET:OPERATION SUB-UNIT:PEEN	U002	54	1	O/O			
201609-02	1609 Modification	-	D2020124	PCDU:SERVICE PARTS	D2020125	PROCESSES AROUND PHOTOCOnductor:SERVICE PARTS	U006_S001	71	1	X/O			
201609-03	1609 Modification	-	D8692221	PCU:SERVICE PARTS	D8692222	PCU:SERVICE PARTS	U006_S001_S001	70	1	X/O			
201609-04	1609 Modification	-	D2025640	(EU/AA/NA/TWN):PCB:IMAGE PROCESSING UNIT	D2025642	(CHN):PCB:IMAGE PROCESSING UNIT	U014	51	1	O/O			
201608-01	1608 Modification	-	D1495686	(CHN):PCB:DCSW	D1775686	(-AA-EU-NA-TWN-CHN):PCB:DCSW	U014	39	1	O/O			
201608-02	1608 Modification	-	AD041156	BLADE:CLEANING:8799:C1.5:ASS'Y	AD041158	BLADE:CLEANING:8799:ASS'Y	U006_S001_S001	69	1	X/O			
201607-01	1607 Modification	-	AW500043	PUSH SWITCH:APER SIZE SENSOR	AW500046	PUSH SWITCH:APER SIZE SENSOR	U005	31	2	O/O			
201607-02	1607 Modification	-	D2021290	COVER:SCANNER:UPPER:REAR	D2011290	COVER:SCANNER:UPPER:REAR	U001	50	1	O/O			
201607-03	1607 Modification	-	D2027924	DUCT:EXHAUST:REAR:B	D2017924	DUCT:EXHAUST:REAR:B	U015	44	1	O/O			
201606-01	1606 Modification	-	D2022718	PAPER FEED UNIT:NO.2:ASS'Y	D2022736	PAPER FEED UNIT:NO.2:ASS'Y	U005_S003	128	1	O/O			
201606-02	1606 Modification	-	D1491424	LCD:TFT:WVGA-9:LED:SH	D1771499	LCD:TFT:WVGA-9:LED:SH/AUO	U002	57	3	O/O			
							U002_S009	57	1				
							U002_S010	57	1				

## Design Change List

Number	Title	Set	Old Part		New Part		Index No.		Q'ty	Interchg		Reason	Cut-in S/N
			P/N	Name	P/N	Name	Group	ID		Indiv.	Set		
201606-03	1606 Modification	-	D1491251	COVER:LEFT:UP PER	D2411251	COVER:LEFT:UP PER	U001	51	1	O/O			
201605-01	1605 Modification	-	D2022717	PAPER FEED UN IT:NO.1:ASS'Y	D2022735	PAPER FEED UN IT:NO.1:ASS'Y	U005_S002	127	1	O/O			
201605-02	1605 Modification	-	AW020203	PHOTOINTERRU PTOR:GP1A173L CS2F	AW020224	PHOTOINTERRU PTOR:GP1A173L CSVF	U005_S002	29	1	X/O			
			AW020203	PHOTOINTERRU PTOR:GP1A173L CS2F	AW020224	PHOTOINTERRU PTOR:GP1A173L CSVF	U005_S002	29	1	X/O			
			AW020203	PHOTOINTERRU PTOR:GP1A173L CS2F	AW020224	PHOTOINTERRU PTOR:GP1A173L CSVF	U005_S003	29	1	X/O			
			AW020203	PHOTOINTERRU PTOR:GP1A173L CS2F	AW020224	PHOTOINTERRU PTOR:GP1A173L CSVF	U005_S003	29	1	X/O			
			AW020203	PHOTOINTERRU PTOR:GP1A173L CS2F	AW020224	PHOTOINTERRU PTOR:GP1A173L CSVF	U011_S001	18	1	X/O			
			AW020203	PHOTOINTERRU PTOR:GP1A173L CS2F	AW020224	PHOTOINTERRU PTOR:GP1A173L CSVF	U012_S001 _S001	39	1	X/O			
			AW020203	PHOTOINTERRU PTOR:GP1A173L CS2F	AW020224	PHOTOINTERRU PTOR:GP1A173L CSVF	U012_S001 _S002	39	1	X/O			
201605-03	1605 Modification	-	D2021260	COVER:REAR:LO WER	D2011260	COVER:REAR:LO WER	U001	37	1	O/O			
201605-04	1605 Modification	-	AD041152	BLADE:CLEANIN G:8799:ASS'Y	AD041156	BLADE:CLEANIN G:8799:C1.5:ASS' Y	U006_S001 _S001	16	1	O/O			

## Design Change List

Number	Title	Set	Old Part		New Part		Index No.		Q'ty	Interchg		Reason	Cut-in S/N
			P/N	Name	P/N	Name	Group	ID		Indiv.	Set		
201604-01	1604 Modification	-	D1472755	COIL SPRING:RELEASE:SEPARATE	D1482755	COIL SPRING:RELEASE:SEPARATE	U005_S002	45	1	O/O			
							U005_S003	45					
201604-02	1604 Modification	-	D2011412	(EU):OPERATION PANEL:ASS'Y	D2011402	(EU):OPERATION SUB-UNIT:INX:ASS'Y	U002_S003	48	1	O/O			
201603-01	1603 Modification	A	D1472736	BRACKET:SEPARATE:REAR	D2412736	BRACKET:SEPARATE:REAR	U005_S002	39	1	X/X	O/O		
							U005_S003	39					
201603-02	1603 Modification	A			D2412730	STAY:SEPARATE:PEEN	U005_S002	126	1		O/O		
							U005_S003	126					
201603-03	1603 Modification	-	D2023224	(CHN):SEAL:CASE:ENTRANCE SEAL:FRONT			U006_S001_S002_S005	55	1				
201603-04	1603 Modification	-	D2023242	(CHN):SEAL:DEVELOPMENT:FRONT REAR			U006_S001_S002_S005	57	2				
201603-05	1603 Modification	-	D2023225	(CHN):SEAL:CASE:ENTRANCE SEAL:REAR			U006_S001_S002_S005	56	1				
201603-06	1603 Modification	-	D8690122	PDCU:SERVICE PARTS	D2020124	PDCU:SERVICE PARTS	U006	64	1	X/O			
201602-01	1602 Modification	-	D2025662	(AA/KOR):(CHN):(TWN):(D202):(-19/-21/-25/-29):PCB:CTL_JL2	D2025652	(AA/KOR):(CHN):(TWN):(D202):(-19/-21/-25/-29):PCB:CTL_JL2	U014	52	1	X/O			
			D2025662	(AA/KOR):(CHN):(TWN):(D202):(-19/-21/-25/-29):PCB:CTL_JL2	D2025652	(AA/KOR):(CHN):(TWN):(D202):(-19/-21/-25/-29):PCB:CTL_JL2	U014	52	1	X/O			
			D2025662	(AA/KOR):(CHN):(TWN):(D202):(-19/-21/-25/-29):PCB:CTL_JL2	D2025652	(AA/KOR):(CHN):(TWN):(D202):(-19/-21/-25/-29):PCB:CTL_JL2	U014	52	1	X/O			

## Design Change List

Number	Title	Set	Old Part		New Part		Index No.		Q'ty	Interchg		Reason	Cut-in S/N
			P/N	Name	P/N	Name	Group	ID		Indiv.	Set		
		-		TWN):(D202):(-19/-21/-25/-29):PCB:CTL_JL2		TWN):(D202):(-19/-21/-25/-29):PCB:CTL_JL2							
201602-02	1602 Modification	-	D2011411	(NA):(AA/KOR):OPERATION SUB-UNIT:PANEL:ASS'Y	D2011401	(NA):(AA/KOR):OPERATION SUB-UNIT:INX:ASS'Y	U002_S001	47	1	O/O			
			D2011411	(NA):(AA/KOR):OPERATION SUB-UNIT:PANEL:ASS'Y	D2011401	(NA):(AA/KOR):OPERATION SUB-UNIT:INX:ASS'Y	U002_S002	47	1	O/O			
201602-03	1602 Modification	-	D2022679	DECAL:PAPER SET DIRECTION:MANUAL FEED	D2412685	DECAL:PAPER SET DIRECTION:MANUAL FEED	U012_S001_S001	141	1	O/O			
201601-01	1601 Modification	-	D2005663	(D200):(-57/-58(NA))(-59(TWN))(-61/-62(CHN))(-64/-67(EU))(-69(AA)):PCB:CTL_JL2	D2005673	(D200):(-57/-58(NA))(-59(TWN))(-61/-62(CHN))(-64/-67(EU))(-69(AA)):PCB:CTL_JL2	U014	42	1	X/O			
201601-02	1601 Modification	-	D2005666	(NA):(EU):(AA/KOR):(D200):(-57/-58/-65/-69):PCB:CTL_JL2	D2005676	(NA):(EU):(AA/KOR):(D200):(-57/-58/-65/-69):PCB:CTL_JL2	U014	44	1	X/O			
201512-01	1512 Modification	-	D2022805	PAPER TRAY:NO.2:ASS'Y	D2022807	PAPER TRAY:NO.2:ASS'Y	U005_S011	112	1	X/O			
201512-02	1512 Modification	-	D2022715	PAPER FEED UNIT:NO.2:EXP:ASS'Y	D2022718	PAPER FEED UNIT:NO.2:ASS'Y	U005	125	1	X/O			
201512-03	1512 Modification	-			D2026291	GUIDE:SET:TRANSFER/SEPARA	U008	71	1				

## Design Change List

Number	Title	Set	Old Part		New Part		Index No.		Q'ty	Interchg		Reason	Cut-in S/N
			P/N	Name	P/N	Name	Group	ID		Indiv.	Set		
		-				TION UNIT:REAR							
201509-01	1509 Modification	-			D2027980	(NA):(EU):THERM OSTAT:ASS'Y	U016_S001	20	1				
							U016_S003	20	1				
201509-02	1509 Modification	-			D2026210	TRANSFER/SEP ARATION UNIT:A SS'Y	U008_S002	70	1				
201509-03	1509 Modification	-			AW230100	PCB:MYU:SENS OR	U006_S001 _S002	68	1				
201508-01	1508 Modification	-			D1491338	GUIDE PLATE:PA PER FEED TABL E:FRONT	U015	59	1				
201508-02	1508 Modification	-	D1472751	ARM:PRESSURE :SEPARATE	D1482751	ARM:PRESSURE :SEPARATE	U005_S002	42	1	O/O			
							U005_S003	42	1				
201508-03	1508 Modification	-	D2005662	(AA/KOR):(CHN):(TWN):(D200):(-19/-21/-29):PCB:CTL_JL2	D2005672	(AA/KOR):(CHN):(TWN):(D200):(-19/-21/-29):PCB:CTL_JL2	U014	41	1	X/O			
							U014	41	1	X/O			
							U014	41	1	X/O			
201508-04	1508 Modification	-	D2015662	(AA/KOR):(CHN):(TWN):(D201):(-19/-21/-25/-29):PCB:CTL_JL2	D2015672	(AA/KOR):(CHN):(TWN):(D201):(-19/-21/-25/-29):PCB:CTL_JL2	U014	45	1	X/O			
							U014	45	1	X/O			

## Design Change List

Number	Title	Set	Old Part		New Part		Index No.		Q'ty	Interchg		Reason	Cut-in S/N
			P/N	Name	P/N	Name	Group	ID		Indiv.	Set		
		-		TWN):(D201):(-19/-21/-25/-29):PCB:CTL_JL2		TWN):(D201):(-19/-21/-25/-29):PCB:CTL_JL2							
			D2015662	(AA/KOR):(CHN):(TWN):(D201):(-19/-21/-25/-29):PCB:CTL_JL2	D2015672	(AA/KOR):(CHN):(TWN):(D201):(-19/-21/-25/-29):PCB:CTL_JL2	U014	45	1	X/O			
201508-05	1508 Modification	-	D2015663	(D201):(-57/-58(N A))(-59(TWN))(-61/-62/(CHN))(-64/-67(EU))(-69(AA)):PCB:CTL_JL2	D2015673	(D201):PCB:CTL_JL2	U014	46	1	X/O			
201508-06	1508 Modification	-	D2015665	(AA/KOR):(D201):(-29):PCB:CTL_JL2	D2015675	(AA/KOR):(D201):(-29):PCB:CTL_JL2	U014	47	1	X/O			
201508-07	1508 Modification	-	D2015666	(NA):(EU):(AA/KOR):(D201):(-57/-58/-65/-69):PCB:CTL_JL2	D2015676	(NA):(EU):(AA/KOR):(D201):(-57/-58/-65/-69):PCB:CTL_JL2	U014	48	1	X/O			
			D2015666	(NA):(EU):(AA/KOR):(D201):(-57/-58/-65/-69):PCB:CTL_JL2	D2015676	(NA):(EU):(AA/KOR):(D201):(-57/-58/-65/-69):PCB:CTL_JL2	U014	48	1	X/O			
			D2015666	(NA):(EU):(AA/KOR):(D201):(-57/-58/-65/-69):PCB:CTL_JL2	D2015676	(NA):(EU):(AA/KOR):(D201):(-57/-58/-65/-69):PCB:CTL_JL2	U014	48	1	X/O			
201508-08	1508 Modification	-	D2025663	(NA):(TWN):(CHN):(EU):(AA):(D202):(-57/-58/-59/-61/-	D2025653	(D202):PCB:CTL_JL2	U014	53	1	X/O			

## Design Change List

Number	Title	Set	Old Part		New Part		Index No.		Q'ty	Interchg		Reason	Cut-in S/N
			P/N	Name	P/N	Name	Group	ID		Indiv.	Set		
		-		62/-64/-69):PCB: CTL_JL2									
201508-09	1508 Modification	-	D2025665	(D202-29(AA)): (D 200-25(CHN)): PC B: CTL_JL2	D2025685	(D202-29(AA)): (D 200-25(CHN)): PC B: CTL_JL2	U014	54	1	X/O			
			D2025665	(D202-29(AA)): (D 200-25(CHN)): PC B: CTL_JL2	D2025685	(D202-29(AA)): (D 200-25(CHN)): PC B: CTL_JL2	U014	54	1	X/O			
201508-10	1508 Modification	-	D2025666	(NA): (EU): (AA/KO R): (D202): (-57/-58 /-65/-69): PCB: CT L_JL2	D2025676	(NA): (EU): (AA/KO R): (D202): (-57/-58 /-65/-69): PCB: CT L_JL2	U014	55	1	X/O			
			D2025666	(NA): (EU): (AA/KO R): (D202): (-57/-58 /-65/-69): PCB: CT L_JL2	D2025676	(NA): (EU): (AA/KO R): (D202): (-57/-58 /-65/-69): PCB: CT L_JL2	U014	55	1	X/O			
			D2025666	(NA): (EU): (AA/KO R): (D202): (-57/-58 /-65/-69): PCB: CT L_JL2	D2025676	(NA): (EU): (AA/KO R): (D202): (-57/-58 /-65/-69): PCB: CT L_JL2	U014	55	1	X/O			
201508-11	1508 Modification	-	D2022645	HARNESS: PAPER SIZE SENSOR: MANUAL FEED	D2022671	HARNESS: PAPER SIZE SENSOR: MANUAL FEED	F2(1/1)		1	X/O			
201508-12	1508 Modification	-	D2025220	HARNESS: OPER ATION SUB-UNIT : ASS'Y	D2025224	HARNESS: CRN- C1: OPERATION SUB-UNIT: ASS'Y	C9(1/1)		1	O/O			
201507-01	1507 Modification	-	D1492866	COVER: PAPER T RAY: NO.2	D1472866	COVER: PAPER T RAY: NO.2	U005_S011	85	1	O/O			
201507-02	1507 Modification	-	D2022703	PAPER FEED UN IT: NO.1: ASS'Y	D2022713	PAPER FEED UN IT: NO.1: EXP: ASS'				O/O			

## Design Change List

Number	Title	Set	Old Part		New Part		Index No.		Q'ty	Interchg		Reason	Cut-in S/N
			P/N	Name	P/N	Name	Group	ID		Indiv.	Set		
		-				Y							
201507-03	1507 Modification	-	D2022955	MANUAL FEED UNIT:ASS'Y	D2022957	MANUAL FEED UNIT:ASS'Y	U012_S001_S002	146	1	X/O			
201507-04	1507 Modification	-	D1492834	GUIDE:FEELER:PAPER END			U005_S010_S004	72	1				
							U005_S011_S004	72	1				
201507-05	1507 Modification	-	D2024800	PAPER STOPPER:MANUAL FEED	D2024802	PAPER STOPPER:MANUAL FEED	U012_S001_S002	178	1	X/O			
201505-01	1505 Modification	-	D2022704	PAPER FEED UNIT:NO.2:ASS'Y	D2022715	PAPER FEED UNIT:NO.2:EXP:ASS'Y	U005	106	1	O/O			
201505-02	1505 Modification	-			D1494787	GUIDE:HARNES S:MANUAL FEED :CONNECTING	U012_S001	182	1				
201505-03	1505 Modification	A			08050106	RETAINING RING S-E:SILENCER:DI A6	U010_S001	59	1				
					08050106	RETAINING RING S-E:SILENCER:DI A6	U010_S002	59	1				
					08050106	RETAINING RING S-E:SILENCER:DI A6	U010_S003	59	1				
					08050106	RETAINING RING S-E:SILENCER:DI A6	U010_S004	59	1				
					08050106	RETAINING RING S-E:SILENCER:DI A6	U010_S005	59	1				



## Design Change List

Number	Title	Set	Old Part		New Part		Index No.		Q'ty	Interchg		Reason	Cut-in S/N
			P/N	Name	P/N	Name	Group	ID		Indiv.	Set		
201505-04	1505 Modification	A	AA061215	(EU/AA/NA/TWN): SPRING:RELEASE:FUSING EXIT	AA066435	SPRING:RELEASE:FUSING EXIT	U010_S001	60	1	X/X			
							U010_S002	60					
							U010_S004	60					
							U010_S005	60					
201505-05	1505 Modification	A	D2024214	GUIDE PLATE:FUSING EXIT	D2024215	GUIDE PLATE:FUSING EXIT	U010_S001	32	1	X/X			
							U010_S002	32					
							U010_S003	32					
							U010_S004	32					
							U010_S005	32					
201505-06	1505 Modification	A	AA061198	(CHN):SPRING:RELEASE:FUSING EXIT	AA066435	SPRING:RELEASE:FUSING EXIT	U010_S003	60	1	X/X			
201505-07	1505 Modification	-	D1775686	(-AA-EU-NA-TWN-CHN):PCB:DCSW	D1495686	(CHN):PCB:DCSW	U014	39	1	O/O			
201505-08	1505 Modification	-	D2025120	PCB:BCU:ASS'Y	D2025106	PCB:BCU:CRN-C1:SRD:ASS'Y	U014	49	1	O/O			
201504-01	1504 Modification	-	D1494681	BRACKET:MOTOR	D1484681	BRACKET:MOTOR:PEEN	U012_S001	87	1	O/O			
201504-02	1504 Modification	-			D2026220	FRAME:TRANSFER/SEPARATION UNIT:ASS'Y	U008_S002	69	1				
201503-01	1503 Modification	-			D2011527	(KOR):SHEET:APPLICATION:MULTI-LANGUAGE	U017	43	1				
201503-02	1503 Modification	-	D1491494	PCB:OP-R:ASS'Y	D2021488	PCB:OP-R:ASS'Y	U002_S001	20	1	O/O			
			D1491494	PCB:OP-R:ASS'Y	D2021488	PCB:OP-R:ASS'Y	U002_S002	20					
			D1491494	PCB:OP-R:ASS'Y	D2021488	PCB:OP-R:ASS'Y	U002_S003	20					
			D1491494	PCB:OP-R:ASS'Y	D2021488	PCB:OP-R:ASS'Y	U002	20					
			D1491494	PCB:OP-R:ASS'Y	D2021488	PCB:OP-R:ASS'Y	U002	20					

## Design Change List

Number	Title	Set	Old Part		New Part		Index No.		Q'ty	Interchg		Reason	Cut-in S/N
			P/N	Name	P/N	Name	Group	ID		Indiv.	Set		
		-	D1491494	PCB:OP-R:ASS'Y	D2021488	PCB:OP-R:ASS'Y	U002	20	1	O/O			
			D1491494	PCB:OP-R:ASS'Y	D2021488	PCB:OP-R:ASS'Y	U002	20	1	O/O			
			D1491494	PCB:OP-R:ASS'Y	D2021488	PCB:OP-R:ASS'Y	U002	20	1	O/O			
			D1491494	PCB:OP-R:ASS'Y	D2021488	PCB:OP-R:ASS'Y	U002_S009	20	1	O/O			
			D1491494	PCB:OP-R:ASS'Y	D2021488	PCB:OP-R:ASS'Y	U002_S010	20	1	O/O			
201502-02	1502 Modification	-	D2021415	(TWN):OPERATION SUB-UNIT:SH:ASS'Y	D2021405	(TWN):OPERATION SUB-UNIT:CO-C1:SH:TWN:ASS'Y	U002_S010	50	1	O/O			
201501-01	1501 Modification	-	D2024457	ROLLER:DRIVEN:EXIT:REAR MIDDLE:ASS'Y	D2024467	ROLLER:DRIVEN:EXIT:REAR MIDDLE:ASS'Y	U011_S001_S003	54	1	X/O			
201501-02	1501 Modification	-	D2024456	ROLLER:DRIVEN:EXIT:FRONT MIDDLE:ASS'Y	D2024466	ROLLER:DRIVEN:EXIT:FRONT MIDDLE:ASS'Y	U011_S001_S002	53	1	X/O			
201412-01	1412 Modification	-	AA061198	SPRING:RELEASE:FUSING EXIT	AA061215	(EU/AA/NA/TWN):SPRING:RELEASE:FUSING EXIT	U010_S001	17	1	X/O			
							U010_S002	17	1				
							U010_S004	17	1				
							U010_S005	17	1				
201412-02	1412 Modification	-	D8694013	(TWN):FUSING UNIT:SERVICE	D8694053	(TWN):FUSING UNIT:TWN:SERVICE	U010_S005	54	1	X/O			
201412-03	1412 Modification	-	D8694011	(NA):FUSING UNIT:SERVICE	D8694051	(NA):FUSING UNIT:SERVICE	U010_S001	52	1	X/O			
201412-04	1412 Modification	-	D8694012	(EU):(AA/KOR):(CHN):FUSING UNIT:SERVICE	D8694052	(EU):(AA):FUSING UNIT:SERVICE	U010_S004	53	1	X/O			
			D8694012	(EU):(AA/KOR):(CHN):FUSING UNIT:SERVICE	D8694052	(EU):(AA):FUSING UNIT:SERVICE	U010_S002	53	1	X/O			

## Design Change List

Number	Title	Set	Old Part		New Part		Index No.		Q'ty	Interchg		Reason	Cut-in S/N		
			P/N	Name	P/N	Name	Group	ID		Indiv.	Set				
201412-05	1412 Modification	-	B2134460	SHAFT:PRESSURE ROLLER	D1494459	(EU/AA/NA/TWN): SHAFT:DRIVEN: EXIT ROLLER	U011_S001	19	2	X/O					
							U011_S001	19						1	
							_S002	19							
									U011_S001	19	1				
							D1494459	(EU/AA/NA/TWN): SHAFT:DRIVEN: EXIT ROLLER	U011_S001	19	1	X/O			
							D1494459	(EU/AA/NA/TWN): SHAFT:DRIVEN: EXIT ROLLER	U011_S001	19	1	X/O			
							D1494459	(EU/AA/NA/TWN): SHAFT:DRIVEN: EXIT ROLLER	U011_S001	19	1	X/O			
							D1494459	(EU/AA/NA/TWN): SHAFT:DRIVEN: EXIT ROLLER	U011_S001	19	1	X/O			
							D1494459	(EU/AA/NA/TWN): SHAFT:DRIVEN: EXIT ROLLER	U011_S001	19	1	X/O			
							D1494459	(EU/AA/NA/TWN): SHAFT:DRIVEN: EXIT ROLLER	U011_S001	19	1	X/O			
				D1494459	(EU/AA/NA/TWN): SHAFT:DRIVEN: EXIT ROLLER	U011_S001	19	1	X/O						

## Design Change List

Number	Title	Set	Old Part		New Part		Index No.		Q'ty	Interchg		Reason	Cut-in S/N
			P/N	Name	P/N	Name	Group	ID		Indiv.	Set		
		-				SHAFT:DRIVEN: EXIT ROLLER							
					D1494459	(EU/AA/NA/TWN): SHAFT:DRIVEN: EXIT ROLLER	U011_S001	19	1	X/O			
					D1494459	(EU/AA/NA/TWN): SHAFT:DRIVEN: EXIT ROLLER	U011_S001	19	1	X/O			
					D1494459	(EU/AA/NA/TWN): SHAFT:DRIVEN: EXIT ROLLER	U011_S001	19	1	X/O			
201412-06	1412 Modification	-			B2134460	(CHN):SHAFT:PR ESSURE ROLLE R	U011_S001 _S003	19	1				
					B2134460	(CHN):SHAFT:PR ESSURE ROLLE R	U011_S001 _S002	19	1				
					B2134460	(CHN):SHAFT:PR ESSURE ROLLE R	U011_S001	19	1				
					B2134460	(CHN):SHAFT:PR ESSURE ROLLE R	U011_S001	19	1				
201510-01	1510 Modification	-			AA143848	STEPPED SCRE W - M3	U014	64	4				
201510-02	1510 Modification	-			AA161125	RUBBER CUSHI ON	U014	65	4				
201510-03	1510 Modification	-			D2025818	BRACKET:HDD	U014	66	1				
201510-04	1510 Modification	-			M4445201	HDD:320GB:AQU ARIUS	U014	67	1				

## Design Change List

Number	Title	Set	Old Part		New Part		Index No.		Q'ty	Interchg		Reason	Cut-in S/N
			P/N	Name	P/N	Name	Group	ID		Indiv.	Set		
201510-05	1510 Modification	-	D2022629	MANUAL FEED TABLE	D2022670	MANUAL FEED TABLE	U012_S001_S001	125	1	X/O			
201510-06	1510 Modification	-	D1492778	FEELER:PAPER END	D2022778	FEELER:PAPER END	U005_S002	57	1	X/O			
							U005_S003	57	1				
201510-07	1510 Modification	-	D2022639	COVER:MANUAL FEED TABLE	D2022669	COVER:MANUAL FEED TABLE	U012_S001_S001	130	1	X/O			
201510-08	1510 Modification	-			AC015063	SHIELD GLASS	U004_S001	4	1				
201510-09	1510 Modification	-	D1492791	GUIDE:FEED	D2022791	GUIDE:FEED	U005_S002	64	1	X/O			
							U005_S003	64	1				
201510-10	1510 Modification	-	D2022693	GUIDE PLATE:VERTICAL TRANSPORT:NO.2:DRIVEN	D2022673	GUIDE PLATE:VERTICAL TRANSPORT:NO.2:DRIVEN	U012_S001	143	1	X/O			
201510-11	1510 Modification	-	D1491282	COVER:SCANNER:UPPER:FRONT	D1501282	COVER:SCANNER:UPPER:FRONT	U001	15	1	O/O			
201510-12	1510 Modification	-			D2023051	TONER SUPPLY SUB-UNIT:ASS'Y	U007_S001	14	1				
201510-13	1510 Modification	-	D1491427	TOUCH PANEL:WVGA-9:MV	D1491428	TOUCH PANEL:WVGA-9:MV	U002	18	5	O/O			
							U002_S001	18	1				
							U002_S002	18	1				
							U002_S003	18	1				
							U002_S009	18	1				
							U002_S010	18	1				
201510-14	1510 Modification	-	D2021250	COVER:LEFT	D2021255	COVER:LEFT	U001	35	1	X/O			
201511-01	1511 Modification	-	D2006750	(D200-NA/EU/AA/KOR/TWN(-19)/CHN(-21)):DECAL:MODEL NAME PLATE	D2006753	(D200-TWN(59)/CHN(61)):DECAL:MODEL NAME PLATE(MP 4054SP)	U017	30	1	X/O			
			D2006750	(D200-NA/EU/AA/	D2006753	(D200-TWN(59)/C	U017	30	1				X/O

## Design Change List

Number	Title	Set	Old Part		New Part		Index No.		Q'ty	Interchg		Reason	Cut-in S/N
			P/N	Name	P/N	Name	Group	ID		Indiv.	Set		
		-		KOR/TWN(-19)/C HN(-21)):DECAL: MODEL NAME PL ATE		HN(61)):DECAL: MODEL NAME PL ATE(MP 4054SP)							
201511-02	1511 Modification	-	D1471750	SHEET:GAP:ASS' Y	D2411727	SHEET:GAP:ASS' Y	U003	31	1	O/O			
201511-03	1511 Modification	-	D1494644	GEAR:MECHANI CAL ROLLER CL UTCH	D2024644	GEAR:MECHANI CAL ROLLER CL UTCH	U012_S001	79	1	X/O			
201511-04	1511 Modification	-	D1494707	GEAR:FEED:MA NUAL FEED:DRI VE	D2024717	GEAR:FEED:MA NUAL FEED:DRI VE	U012_S001	92	1	X/O			
201511-05	1511 Modification	-	D1494708	GEAR:SEPARAT OR:MANUAL FEE D:DRIVE	D2024718	GEAR:SEPARAT OR:MANUAL FEE D:DRIVE	U012_S001	93	1	X/O			
201511-06	1511 Modification	-	D1494709	GEAR:TRANSPO RT ROLLER:MAN UAL FEED	D2024719	GEAR:TRANSPO RT ROLLER:MAN UAL FEED	U012_S001	94	1	X/O			
201511-07	1511 Modification	-	D2022713	PAPER FEED UN IT:NO.1:EXP:ASS' Y	D2022717	PAPER FEED UN IT:NO.1:ASS'Y	U005	124	1	X/O			
201511-08	1511 Modification	-			D2024511	DUPLEX UNIT:AS S'Y	U012_S001	183	1				

