

**Model Met-C1 yzk  
(D176/D177/D237)  
Parts Catalog**

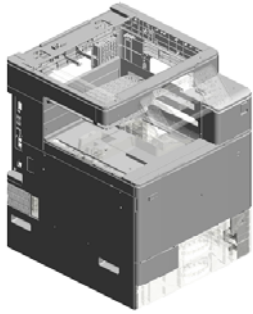
**Parts change information sample**

 **Add**

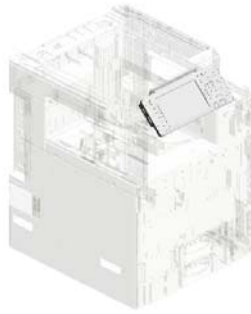
 **Update**

 **Delete**

# Unit All



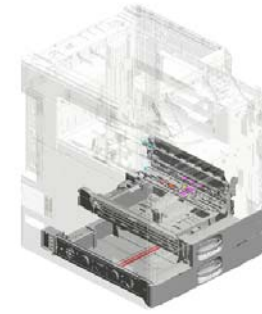
U001  
EXTERIOR



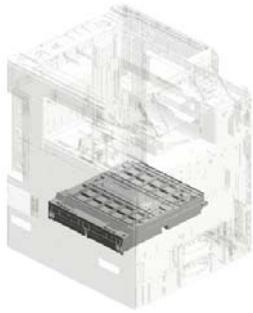
U002  
OPERATION



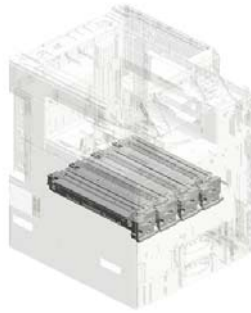
U003  
SCANNER



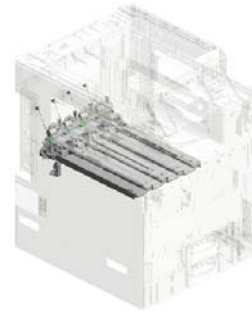
U004  
PAPER FEED



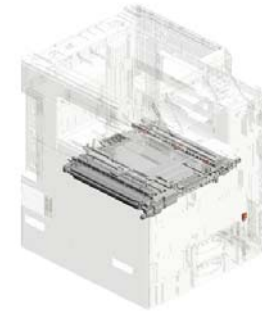
U005  
OPTICAL WRITING



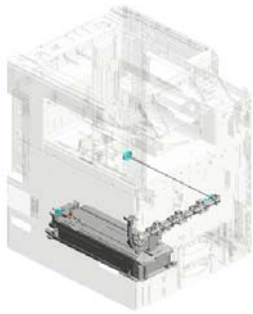
U006  
PROCESSES AROUND PHOTOCONDUCTOR



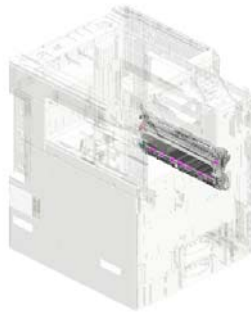
U007  
TONER SUPPLY



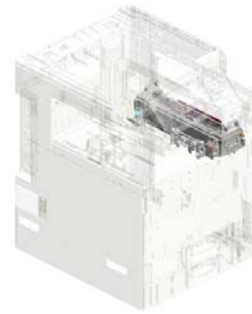
U008  
INTERMEDIATE TRANSFER



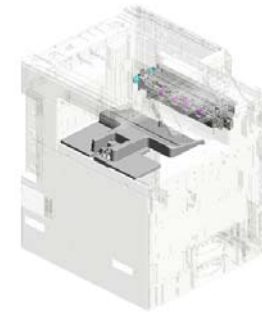
U009  
TONER RECYCLING



U010  
SEPARATION/TRANSPORT

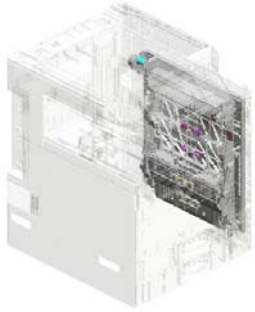


U011  
FUSING

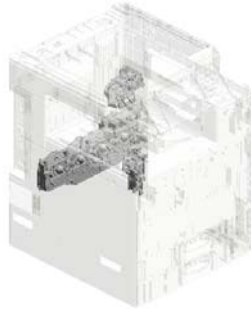


U012  
PAPER EXIT

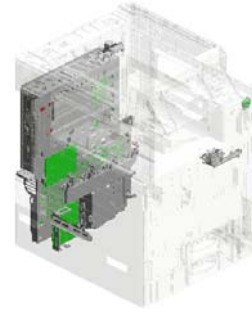
# Unit All



U013  
DUPLEX



U014  
MAIN DRIVE



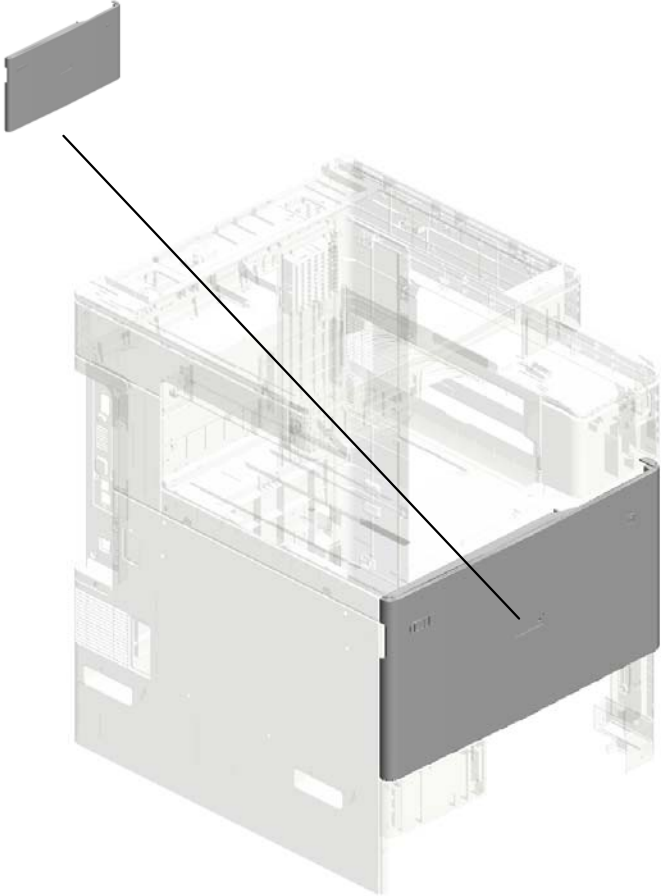
U015  
ELECTRICAL



U016  
MAIN FRAME

# U001.EXTERIOR

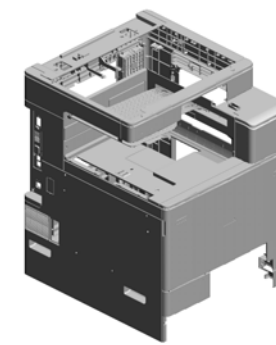
U001\_S001  
D1481240  
COVER:FRONT:ASSY



U001	U002	U003	U004	U005	U006	U007	U008	U009	U010	U011	U012	U013	U014	U015	U016
------	------	------	------	------	------	------	------	------	------	------	------	------	------	------	------

# U001 EXTERIOR

- 1.04543006Q (x2) TAPPING SCREW - M3X6
- 13.D1491233 COVER:UPPER:INNER BACK
- 14.D1491234 COVER:UPPER:INNER BACK:MIDDLE
- 5.AA143537 (x2) SCREW:M3:BLACK
- 3.04583008N (x11) HEXAGON HEAD TAPPING SCREW:3X8



9.D1471285  
COVER:SCANNER:  
UPPER:LEFT

15.D1491235  
COVER:UPPER:INNER  
BACK:BIN

16.D1491237  
COVER:UPPER:INNER  
BACK:LEFT LOWER

8.D1471255  
COVER:LEFT:INTER  
FACE:D146/D147

2.04543008N  
(x58)  
TAPPING SCREW:  
ROUND POINT:3X8

11.D1491230  
COVER:UPPER

4.52062686  
SNAP RING

21.D1491248  
HINGE:COVER:FRONT:  
USED TONER

7.AG071007  
LATCH - BY PASS  
FEED TABLE

12.D1491231  
COVER:UPPER:FRONT

2.04543008N (x 4)  
TAPPING SCREW:ROUND POINT:3X8

20.D1491245  
COVER:FRONT:UPPER

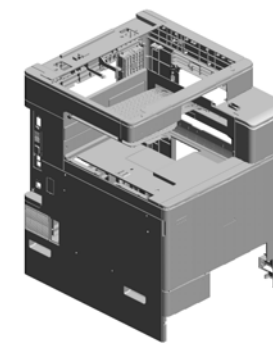
18.D1491243  
COVER:FRONT:UPPER:  
OPERATION SUB-UNIT

17.D1491242  
COVER:MAIN SWITCH

19.D1501244  
[B]  
COVER:FRONT:RIGHT  
UPPER  
201501-03 O/O

6.AG070513  
MAGNET CATCH

# U001 EXTERIOR



28.D1491263  
CAP:LOUVER:DEO  
DORIZE FILTER

37.D1491281  
COVER:SCANNER:  
FRONT

38.D1501282  
[D]  
COVER:SCANNER:  
UPPER:FRONT  
201510-02 O/O

40.D1491287  
COVER:SCANNER:  
RIGHT

41.D1491288  
COVER:SCANNER:  
UPPER:RIGHT

27.D1491261  
COVER:REAR:UPP  
ER

32.D1491269  
COVER:REAR:RIG  
HT UPPER

39.D1491284  
COVER:SCANNER:  
LEFT

24.D1491252  
COVER:LEFT:UPP  
ER:REAR

25.D1491257  
CAP:34X55

26.D1491260  
COVER:REAR:LO  
WER

22.D1501250  
[A]  
COVER:LEFT  
201507-07 X/O

23.D1491251  
COVER:LEFT:UPP  
ER

34.D1491274  
INNER COVER:FR  
ONT:USED TONER

36.D1491278  
TORSION SPRING:  
COVER:USED TON  
ER

31.D1491267  
COVER:RIGHT:UP  
PER

29.D1491265  
COVER:RIGHT:RE  
AR

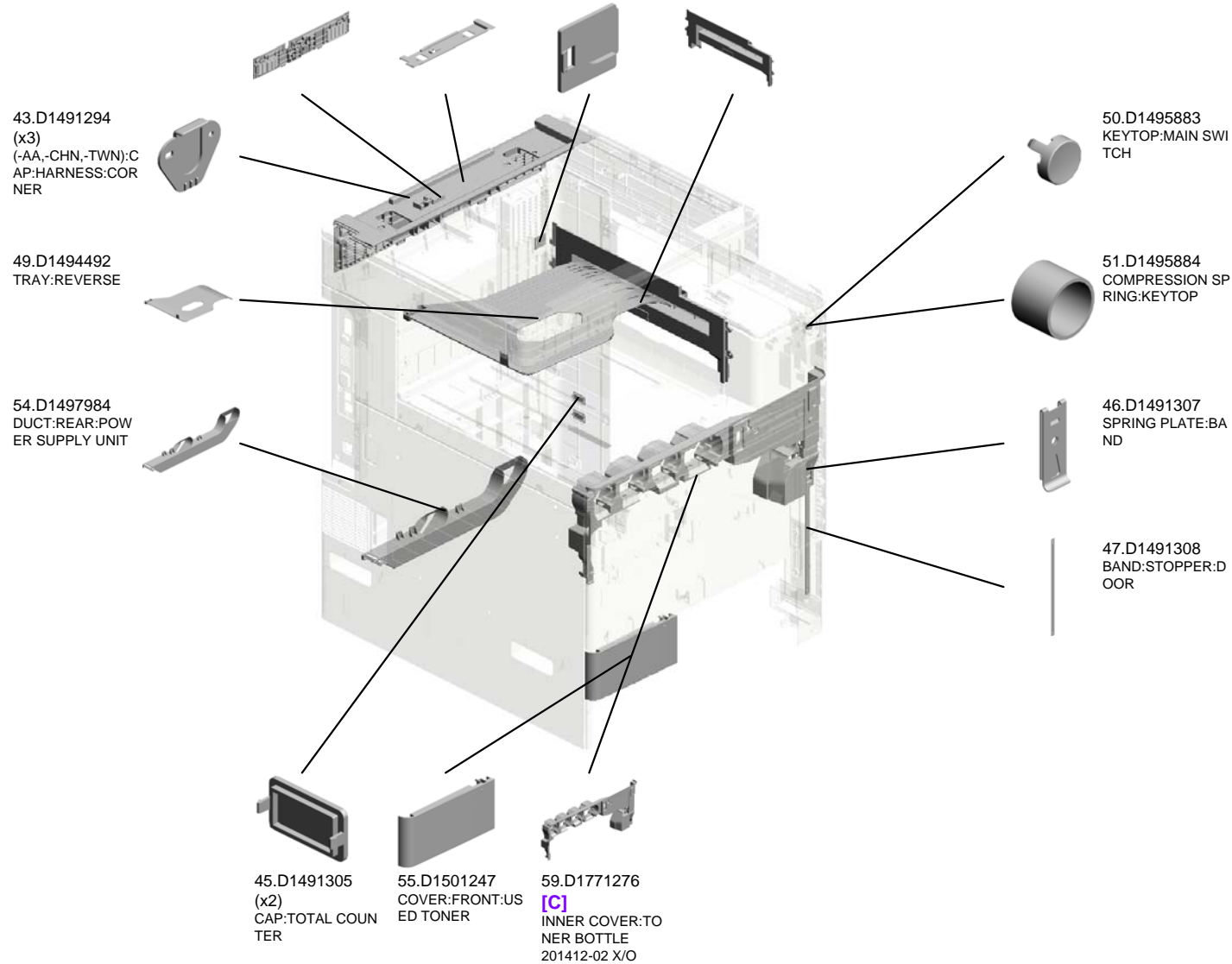
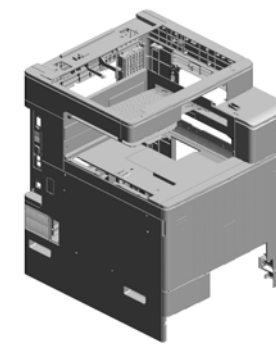
33.D1491273  
INNER COVER:FR  
ONT:LOWER




35.D1491275  
INNER COVER:FR  
ONT:RIGHT LOWE  
R

30.D1491266  
COVER:RIGHT:FR  
ONT LOWER

# U001 EXTERIOR

60.D1771289 COVER:SCANNER: REAR  
 56.D1501290 COVER:SCANNER: UPPER:REAR  
 42.D1491291 CAP:HARNESS  
 57.D1771232 COVER:UPPER:EXI T



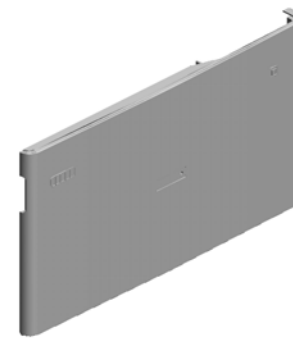
 <b>D1491244</b> <b>[B]</b> COVER:FRONT:RIGHT UPPER 201501-03 O/O	 <b>D1491250</b> <b>[A]</b> COVER:LEFT 201507-07 X/O
 <b>D1491282</b> <b>[D]</b> COVER:SCANNER:UPPER:FRONT 201510-02 O/O	 <b>D1771271</b> <b>[C]</b> INNER COVER:TONER BOTTLE 201412-02 X/O



U001\_S001  
COVER:FRONT:ASS'Y

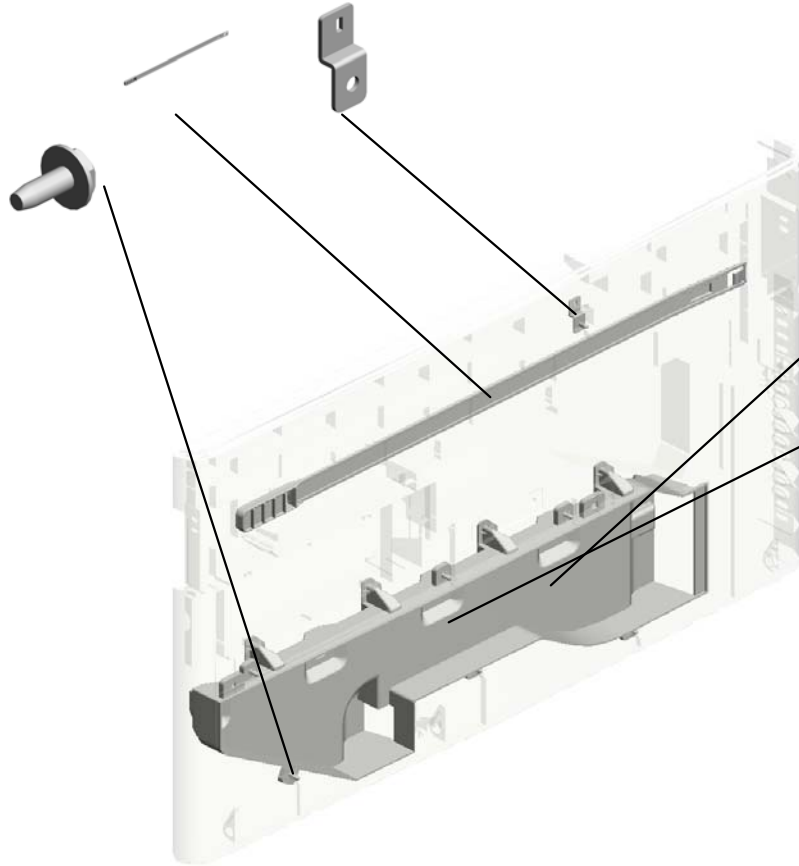
61.D1771302  
CLEANER:SHIELD  
GLASS:ASS'Y

48.D1491309  
MAGNET CATCH:C  
OVER:FRONT



10.D1481240  
[A]  
COVER:FRONT:AS  
S'Y  
201507-11 X/O

3.04583008N  
(x7)  
HEXAGON HEAD T  
APPING SCREW:3  
X8



52.D1496859  
DECAL:CLEANING:  
SHIELD GLASS

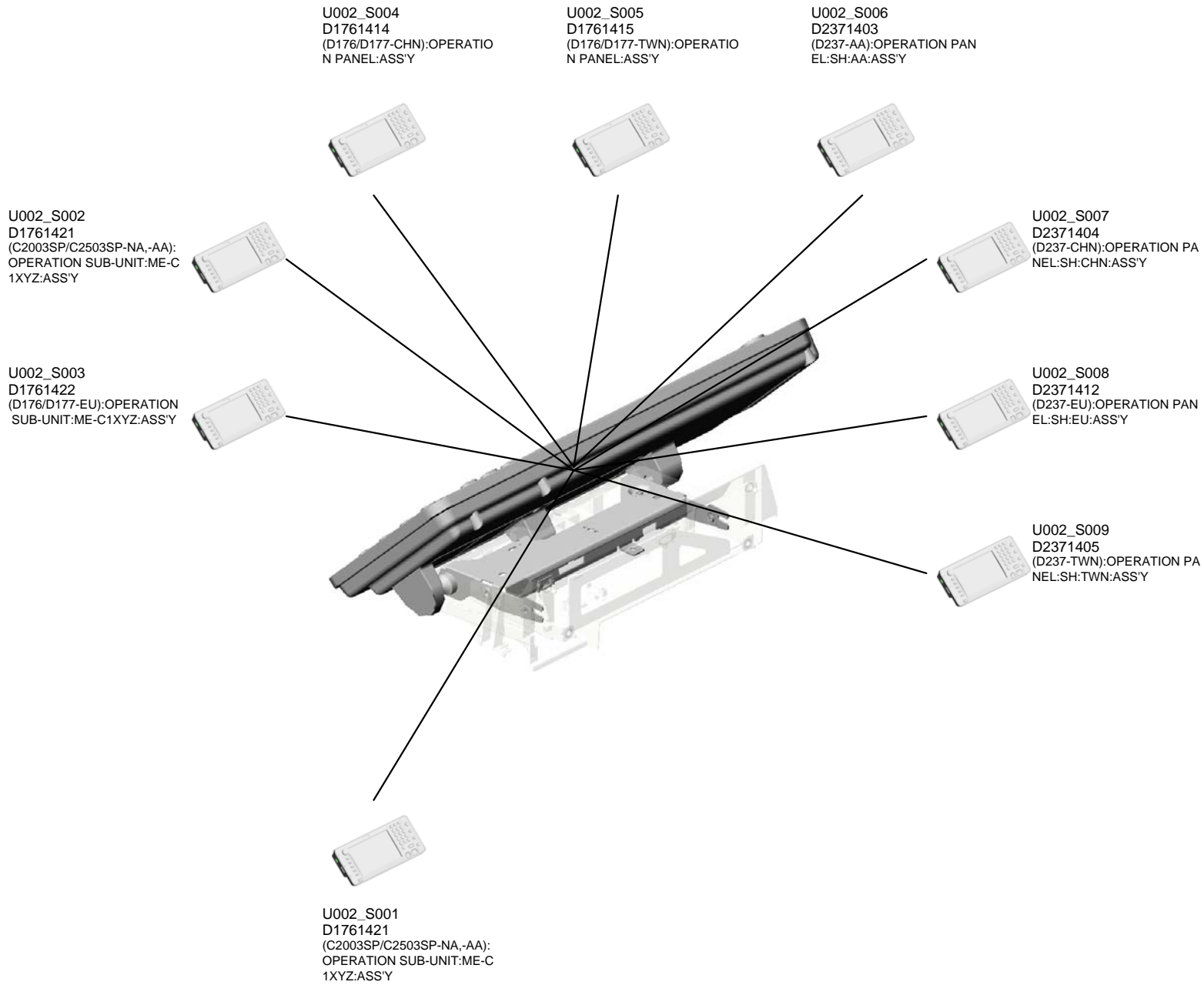
53.D1497911  
DUCT:DEVELOPM  
ENT:FRONT



D1771240  
[A]  
COVER:FRONT:AS  
S'Y  
201507-11 X/O

U001	U002	U003	U004	U005	U006	U007	U008	U009	U010	U011	U012	U013	U014	U015	U016
------	------	------	------	------	------	------	------	------	------	------	------	------	------	------	------

# U002.OPERATION



U001	<b>U002</b>	U003	U004	U005	U006	U007	U008	U009	U010	U011	U012	U013	U014	U015	U016
------	-------------	------	------	------	------	------	------	------	------	------	------	------	------	------	------

# U002 OPERATION

11.D1491425  
LCD:TFT:WVGA-9:  
LED:CM1

37.D1491599  
COVER:BRACKET:  
OPERATION SUB-  
UNIT:UPPER

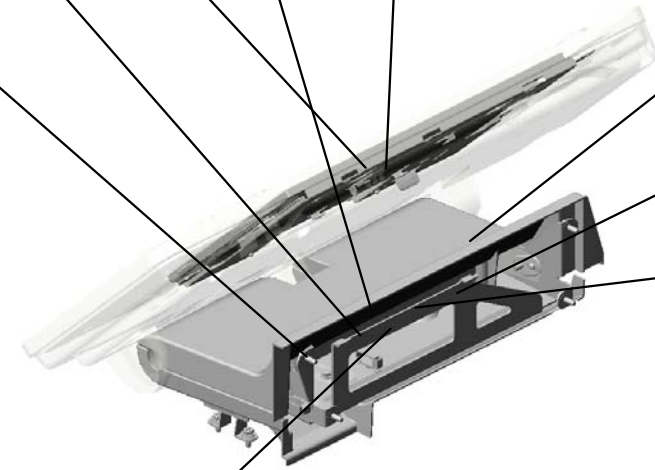
53.D1491518  
BRACKET:LCDC:C  
M



36.D1491598  
COVER:BRACKET:  
OPERATION SUB-  
UNIT:LOWER



4.04543008N  
(x2)  
TAPPING SCREW:  
ROUND POINT:3X8



35.D1491595  
BRACKET:OPERAT  
ION SUB-UNIT



44.D1771592  
(x8)  
SCREW:M3X6



6.11050723  
CLAMPS:WES-050  
7



44.D1771592  
(x2)  
SCREW:M3X6

8.11050760  
(x3)  
CLAMP:LWSM-051  
1A



3.03603006N  
(x2)  
SCREW - M3X6



U002\_S001

(C2003SP/C2503SP-NA,-AA):OPERATION SUB-UNIT:ME-C1XYZ:ASS'Y

20.D1491512  
COVER:REAR:LA  
RGE

27.D1491533  
(-NA,-AA):CO  
VER:U PPER:SH

26.D1491532  
HINGE:ASS'Y

6.11050723  
CLAMPS:WES-0  
50 7

17.D1491508  
KEYTOP:RESET  
SWITCH



38.D1761421  
[A]  
(C2003SP/C2503SP  
-NA,-AA):OPERATI  
ON SUB-UNIT:ME-  
C1XYZ:ASS'Y  
201503-04 O/O

25.D1491531  
(x2)  
SPACER:LCD:B

12.D1491428  
TOUCH PANEL:WV  
GA-9:MV  
201510-05 O/O

9.D1291508  
KEYTOP:HOME

10.D1291528  
SHEET:KEYTOP:LE  
FT

18.D1491510  
KEYTOP:LEFT

19.D1491511  
LENS:FRONT

21.D1491513  
COVER:REAR:SMA  
LL:LEFT

22.D1491514  
COVER:REAR:SMA  
LL:MIDDLE

24.D1491530  
(x2)  
SPACER:LCD:A

16.D1491505  
KEYTOP:STOP

32.D1491588  
KEYTOP:POWER S  
OURCE:BA



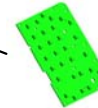
7.11050724  
CLAMPS:WES-121  
0

29.D1491539  
(-NA,-AA):KEYTOP:  
10KEY



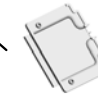
1.03520030N (x 4)  
SCREW:M2X3  
2.03530040N (x14)  
SCREW - M3X4

14.D1461488  
PCB:OP-R:ASS'Y  
201503-03 O/O



5.04593010N (x21)  
BINDING HEAD TAPPING SCREW:3X10

23.D1491515  
COVER:REAR:SMA  
LL:RIGHT



15.D1491504  
KEYTOP:START



U002\_S001  
 (C2003SP/C2503SP-NA,-AA):OPERATION SUB-UNIT:ME-C1XYZ:ASS'Y

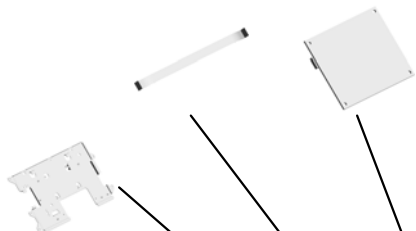
59.D1491430  
 CABLE:FFC:OP-L

43.D1771456  
 (D176/D177-NA,-AA  
 );PCB:LCDC:AR2FT  
 :MEC1XYZ\_NA:ASS  
 'Y



38.D1761421  
 [A]  
 (C2003SP/C2503SP  
 -NA,-AA):OPERATI  
 ON SUB-UNIT:ME-  
 C1XYZ:ASS'Y  
 201503-04 O/O

46.D1821517  
 BRACKET:LCDC:S  
 H



58.D1491469  
 PCB:OP-L:USB:AS  
 SY  
 201508-02 O/O



60.D1491431  
 CABLE:FFC:OP-R



54.D1491534  
 (-NA,-AA):COVER:U  
 PPER:CM  
 201506-05



45.D1821425  
 LCD:TFT:WVGA-9:  
 LED:AUO

61.D1821432  
 CABLE:FFC:LCD



D1761411  
 [A]  
 (D176/D177-NA,-AA  
 ):OPERATION PAN  
 EL:ASS'Y  
 201503-04 O/O

U002\_S002

(C2003SP/C2503SP-NA,-AA):OPERATION SUB-UNIT:ME-C1XYZ:ASS'Y

20.D1491512 COVER:REAR:LARGE  
 27.D1491533 (-NA,-AA):COVER:UPPER:SH  
 26.D1491532 HINGE:ASSY  
 6.11050723 CLAMPS:WES-0507  
 17.D1491508 KEYTOP:RESET SWITCH



38.D1761421  
 [A]  
 (C2003SP/C2503SP-NA,-AA):OPERATION SUB-UNIT:ME-C1XYZ:ASSY  
 201503-04 O/O

25.D1491531 (x2)  
 SPACER:LCD:B

12.D1491428 TOUCH PANEL:WVGA-9:MV  
 201510-05 O/O

9.D1291508 KEYTOP:HOME

10.D1291528 SHEET:KEYTOP:LEFT

18.D1491510 KEYTOP:LEFT

19.D1491511 LENS:FRONT

21.D1491513 COVER:REAR:SMA LL:LEFT

22.D1491514 COVER:REAR:SMA LL:MIDDLE

24.D1491530 (x2)  
 SPACER:LCD:A

16.D1491505 KEYTOP:STOP

32.D1491588 KEYTOP:POWER SOURCE:BA



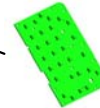
7.11050724 CLAMPS:WES-1210

29.D1491539 (-NA,-AA):KEYTOP:10KEY

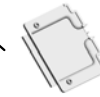


1.03520030N (x 4) SCREW:M2X3  
 2.03530040N (x14) SCREW - M3X4  
 5.04593010N (x21) BINDING HEAD TAPPING SCREW:3X10

14.D1461488 PCB:OP-R:ASSY  
 201503-03 O/O



23.D1491515 COVER:REAR:SMA LL:RIGHT



15.D1491504 KEYTOP:START



U002\_S002

(C2003SP/C2503SP-NA,-AA):OPERATION SUB-UNIT:ME-C1XYZ:ASS'Y

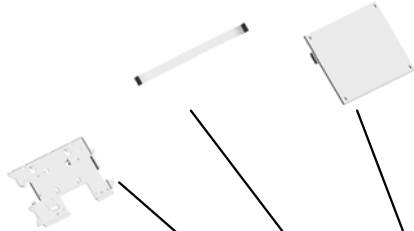
59.D1491430  
CABLE:FFC:OP-L

43.D1771456  
(D176/D177-NA,-AA);PCB:LCDC:AR2FT;MEC1XYZ\_NA:ASS'Y



38.D1761421  
[A]  
(C2003SP/C2503SP-NA,-AA):OPERATION SUB-UNIT:ME-C1XYZ:ASS'Y  
201503-04 O/O

46.D1821517  
BRACKET:LCDC:SH



58.D1491469  
PCB:OP-L:USB:ASS'Y  
201508-02 O/O



60.D1491431  
CABLE:FFC:OP-R



54.D1491534  
(-NA,-AA):COVER:UPPER:CM  
201506-05



45.D1821425  
LCD:TFT:WVGA-9:LED:AUX



61.D1821432  
CABLE:FFC:LCD



D1761411  
[A]  
(D176/D177-NA,-AA):OPERATION PANEL:ASS'Y  
201503-04 O/O

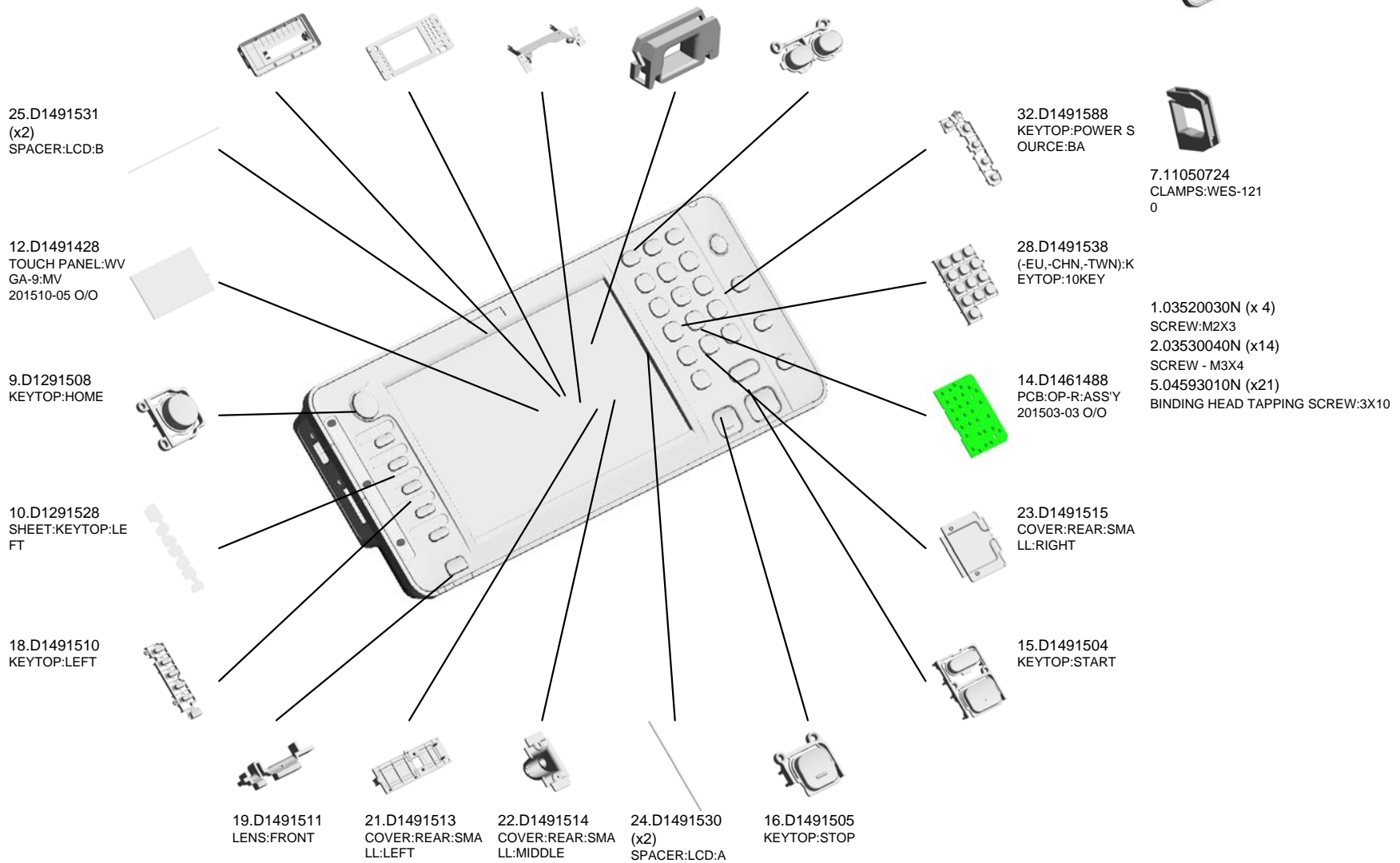
U002\_S003

(D176/D177-EU):OPERATION SUB-UNIT:ME-C1XYZ:ASS'Y

- 20.D1491512 COVER:REAR:LARGE
- 33.D1491589 (-EU):COVER:UPPER:SH
- 26.D1491532 HINGE:ASSY
- 6.11050723 CLAMPS:WES-0507
- 17.D1491508 KEYTOP:RESET SWITCH



57.D1761422  
**[A]**  
 (D176/D177-EU):OPERATION SUB-UNIT:ME-C1XYZ:ASS'Y  
 201506-03 O/O





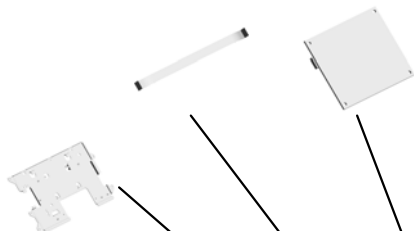
U002\_S003  
 (D176/D177-EU):OPERATION SUB-UNIT:ME-C1XYZ:ASS'Y

59.D1491430  
 CABLE:FFC:OP-L  
 42.D1771455  
 (D176/D177-EU;-CH  
 N;-TWN);PCB:LCD  
 C:AR2FT:ASS'Y

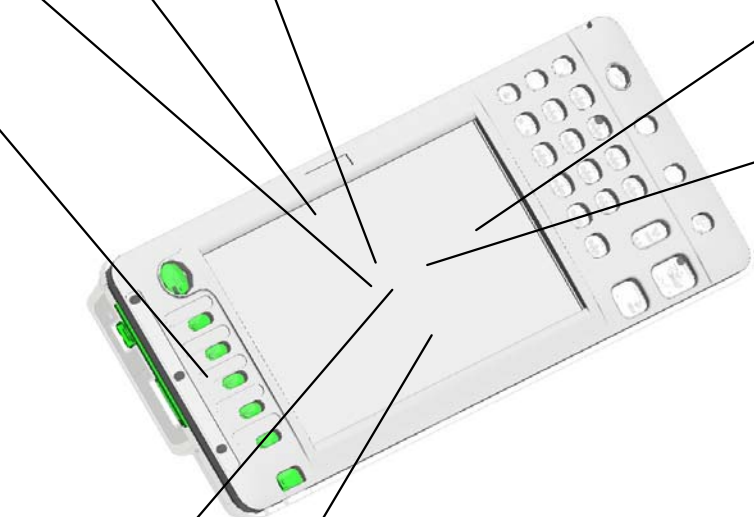


57.D1761422  
 [A]  
 (D176/D177-EU):OP  
 ERATION SUB-UNI  
 T:ME-C1XYZ:ASS'Y  
 201506-03 O/O

46.D1821517  
 BRACKET:LCDC:S  
 H



58.D1491469  
 PCB:OP-L:USB:AS  
 SY  
 201508-02 O/O



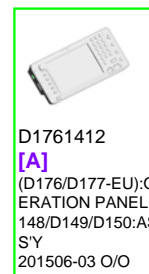
60.D1491431  
 CABLE:FFC:OP-R



34.D1491592  
 (-EU):COVER:UPP  
 ER:CM



45.D1821425  
 LCD:TFT:WVGA-9:  
 LED:AUO  
 61.D1821432  
 CABLE:FFC:LCD



D1761412  
 [A]  
 (D176/D177-EU):OP  
 ERATION PANEL:D  
 148/D149/D150:AS  
 SY  
 201506-03 O/O

U002\_S004  
(D176/D177-CHN):OPERATION PANEL:ASS'Y

14.D1461488  
PCB:OP-R:ASS'Y  
201503-03 O/O

28.D1491538  
(-EU,-CHN,-TWN):K  
EYTOP:10KEY

17.D1491508  
KEYTOP:RESET S  
WITCH

25.D1491531  
(x2)  
SPACER:LCD:B

30.D1491555  
COVER:UPPER:SH



40.D1761414  
(D176/D177-CHN):  
OPERATION PANE  
L:ASSY

32.D1491588  
KEYTOP:POWER S  
OURCE:BA



16.D1491505  
KEYTOP:STOP



15.D1491504  
KEYTOP:START



23.D1491515  
COVER:REAR:SMALL:RIGHT



26.D1491532  
HINGE:ASSY



22.D1491514  
COVER:REAR:SMALL:MIDDLE



21.D1491513  
COVER:REAR:SMALL:LEFT



6.11050723  
CLAMPS:WES-0507



20.D1491512  
COVER:REAR:LARGE



12.D1491428  
TOUCH PANEL:WVGA-9:MV  
201510-05 O/O



9.D1291508  
KEYTOP:HOME



7.11050724  
CLAMPS:WES-1210

10.D1291528  
SHEET:KEYTOP:LEFT



1.03520030N (x 4)  
SCREW:M2X3  
2.03530040N (x14)  
SCREW - M3X4  
5.04593010N (x21)  
BINDING HEAD TAPPING SCREW:3X10

18.D1491510  
KEYTOP:LEFT



24.D1491530  
(x2)  
SPACER:LCD:A



19.D1491511  
LENS:FRONT



U002\_S004  
 (D176/D177-CHN):OPERATION PANEL:ASS'Y

55.D1491556 (-CHN):COVER:UP  
 PER:CM  
 201506-06

45.D1821425 LCD:TFT:WVGA-9:  
 LED:AUO



40.D1761414  
 (D176/D177-CHN):  
 OPERATION PANE  
 L:ASSY

61.D1821432  
 CABLE:FFC:LCD



60.D1491431  
 CABLE:FFC:OP-R



58.D1491469  
 PCB:OP-L:USB:AS  
 S'Y  
 201508-02 O/O



59.D1491430  
 CABLE:FFC:OP-L



42.D1771455 (D176/D177-EU,-CH  
 N,-TWN):PCB:LCD  
 C:AR2FT:ASS'Y

46.D1821517 BRACKET:LCDC:S  
 H



U002\_S005

(D176/D177-TWN):OPERATION PANEL:ASS'Y

14.D1461488  
PCB:OP-R:ASS'Y  
201503-03 O/O

28.D1491538  
(-EU,-CHN,-TWN):K  
EYTOP:10KEY

17.D1491508  
KEYTOP:RESET S  
WITCH

25.D1491531  
(x2)  
SPACER:LCD:B

31.D1491557  
(-TWN):COVER:UP  
PER:SH



41.D1761415  
(D176/D177-TWN):  
OPERATION PANE  
L:ASSY

32.D1491588  
KEYTOP:POWER S  
OURCE:BA



16.D1491505  
KEYTOP:STOP



15.D1491504  
KEYTOP:START



23.D1491515  
COVER:REAR: SMA  
LL:RIGHT



26.D1491532  
HINGE:ASS'Y



22.D1491514  
COVER:REAR: SMA  
LL:MIDDLE



21.D1491513  
COVER:REAR: SMA  
LL:LEFT



6.11050723  
CLAMPS:WES-050  
7



20.D1491512  
COVER:REAR: LAR  
GE



12.D1491428  
TOUCH PANEL: WV  
GA-9: MV  
201510-05 O/O



9.D1291508  
KEYTOP:HOME



7.11050724  
CLAMPS:WES-121  
0

10.D1291528  
SHEET:KEYTOP:LE  
FT



1.03520030N (x 4)  
SCREW:M2X3  
2.03530040N (x14)  
SCREW - M3X4  
5.04593010N (x21)  
BINDING HEAD TAPPING SCREW:3X10

18.D1491510  
KEYTOP:LEFT



24.D1491530  
(x2)  
SPACER:LCD:A



19.D1491511  
LENS:FRONT



U002\_S005  
 (D176/D177-TWN):OPERATION PANEL:ASS'Y

56.D1491558 (-TWN):COVER:UP  
 PER:CM  
 201506-07

45.D1821425 LCD:TFT:WVGA-9:  
 LED:AUO



41.D1761415  
 (D176/D177-TWN):  
 OPERATION PANE  
 L:ASSY

61.D1821432  
 CABLE:FFC:LCD



60.D1491431  
 CABLE:FFC:OP-R



58.D1491469  
 PCB:OP-L:USB:AS  
 S'Y  
 201508-02 O/O



59.D1491430  
 CABLE:FFC:OP-L



42.D1771455 (D176/D177-EU,-CH  
 N,-TWN):PCB:LCD  
 C:AR2FT:ASS'Y

46.D1821517 BRACKET:LCDC:S  
 H



U001	<b>U002</b>	U003	U004	U005	U006	U007	U008	U009	U010	U011	U012	U013	U014	U015	U016
------	-------------	------	------	------	------	------	------	------	------	------	------	------	------	------	------

U002\_S006

(D237-AA):OPERATION PANEL:SH:AA:ASS'Y

27.D1491533 (-NA,-AA):COVER:UPPER:SH  
 6.11050723 CLAMPS:WES-0507  
 21.D1491513 COVER:REAR:SMA LL:LEFT  
 17.D1491508 KEYTOP:RESET SWITCH  
 29.D1491539 (-NA,-AA):KEYTOP:10KEY



48.D2371403  
 [A]  
 (D237-AA):OPERATION PANEL:SH:AA:ASS'Y  
 201501-06 O/O

12.D1491428 TOUCH PANEL:WV GA-9:MV  
 201510-05 O/O

9.D1291508 KEYTOP:HOME

24.D1491530 (x2) SPACER:LCD:A

10.D1291528 SHEET:KEYTOP:LEFT

18.D1491510 KEYTOP:LEFT

19.D1491511 LENS:FRONT

20.D1491512 COVER:REAR:LARGE

25.D1491531 (x2) SPACER:LCD:B

22.D1491514 COVER:REAR:SMA LL:MIDDLE

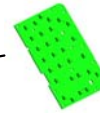
16.D1491505 KEYTOP:STOP

32.D1491588 KEYTOP:POWER SOURCE:BA



7.11050724 CLAMPS:WES-1210

14.D1461488 PCB:OP-R:ASS'Y  
 201503-03 O/O



1.03520030N (x 4) SCREW:M2X3  
 2.03530040N (x14) SCREW - M3X4  
 5.04593010N (x21) BINDING HEAD TAPPING SCREW:3X10

26.D1491532 HINGE:ASS'Y



23.D1491515 COVER:REAR:SMA LL:RIGHT



15.D1491504 KEYTOP:START



U002\_S006  
 (D237-AA):OPERATION PANEL:SH:AA:ASS'Y

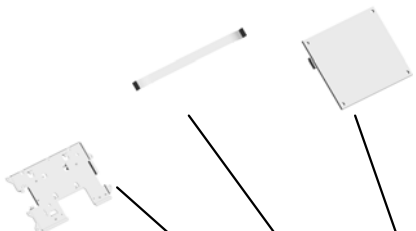
59.D1491430  
 CABLE:FFC:OP-L

52.D2371456  
 (D237-AA):PCB:LC  
 DC:AR2FT:AA:ASS'  
 Y



48.D2371403  
 [A]  
 (D237-AA):OPERAT  
 ION PANEL:SH:AA:  
 ASS'Y  
 201501-06 O/O

46.D1821517  
 BRACKET:LCDC:S  
 H



58.D1491469  
 PCB:OP-L:USB:AS  
 SY  
 201508-02 O/O



60.D1491431  
 CABLE:FFC:OP-R

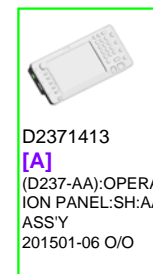


54.D1491534  
 (-NA,-AA):COVER:U  
 PPER:CM  
 201506-05



45.D1821425  
 LCD:TFT:WVGA-9:  
 LED:AUO

61.D1821432  
 CABLE:FFC:LCD



D2371413  
 [A]  
 (D237-AA):OPERAT  
 ION PANEL:SH:AA:  
 ASS'Y  
 201501-06 O/O

U002\_S007  
(D237-CHN):OPERATION PANEL:SH:CHN:ASS'Y

20.D1491512 COVER:REAR:LARGE  
 30.D1491555 COVER:UPPER:SH  
 26.D1491532 HINGE:ASS'Y  
 6.11050723 CLAMPS:WES-050  
 7  
 17.D1491508 KEYTOP:RESET SWITCH



49.D2371404  
 [A]  
 (D237-CHN):OPERATION PANEL:SH:CHN:ASS'Y  
 201501-05 O/O

12.D1491428 TOUCH PANEL:WVGA-9:MV  
 201510-05 O/O



9.D1291508 KEYTOP:HOME



24.D1491530 (x2) SPACER:LCD:A



10.D1291528 SHEET:KEYTOP:LEFT



18.D1491510 KEYTOP:LEFT



19.D1491511 LENS:FRONT



25.D1491531 (x2) SPACER:LCD:B



21.D1491513 COVER:REAR:SMA LL:LEFT



22.D1491514 COVER:REAR:SMA LL:MIDDLE



16.D1491505 KEYTOP:STOP



32.D1491588 KEYTOP:POWER SOURCE:BA

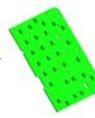


7.11050724 CLAMPS:WES-1210



28.D1491538 (-EU,-CHN,-TWN):KEYTOP:10KEY

1.03520030N (x 4) SCREW:M2X3  
 2.03530040N (x14) SCREW - M3X4  
 5.04593010N (x21) BINDING HEAD TAPPING SCREW:3X10



14.D1461488 PCB:OP-R:ASS'Y  
 201503-03 O/O



23.D1491515 COVER:REAR:SMA LL:RIGHT



15.D1491504 KEYTOP:START



U002\_S007  
 (D237-CHN):OPERATION PANEL:SH:CHN:ASS'Y

59.D1491430  
 CABLE:FFC:OP-L

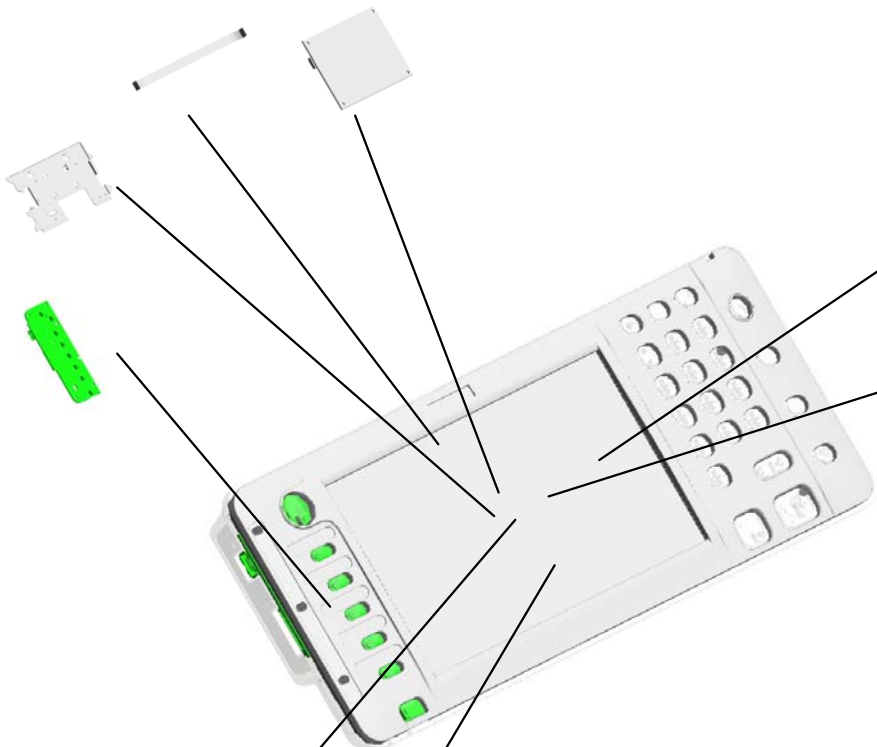
51.D2371455  
 (D237-EU,-CHN,-T  
 WN):PCB:LCDC:AR  
 2FT:ASS'Y



49.D2371404  
 [A]  
 (D237-CHN):OPER  
 ATION PANEL:SH:  
 CHN:ASS'Y  
 201501-05 O/O

46.D1821517  
 BRACKET:LCDC:S  
 H

58.D1491469  
 PCB:OP-L:USB:AS  
 SY  
 201508-02 O/O



60.D1491431  
 CABLE:FFC:OP-R

55.D1491556  
 (-CHN):COVER:UP  
 PER:CM  
 201506-06

45.D1821425  
 LCD:TFT:WVGA-9:  
 LED:AUO

61.D1821432  
 CABLE:FFC:LCD



D2371414  
 [A]  
 (D237-CHN):OPER  
 ATION PANEL:SH:  
 CHN:ASS'Y  
 201501-05 O/O

U002\_S008

(D237-EU):OPERATION PANEL:SH:EU:ASS'Y

28.D1491538  
(-EU,-CHN,-TWN):K  
EYTOP:10KEY

17.D1491508  
KEYTOP:RESET S  
WITCH

25.D1491531  
(x2)  
SPACER:LCD:B

33.D1491589  
(-EU):COVER:UPP  
ER:SH

12.D1491428  
TOUCH PANEL:WV  
GA-9:MV  
201510-05 O/O



47.D2371412  
(D237-EU):OPERAT  
ION PANEL:SH:EU:  
ASS'Y

14.D1461488  
PCB:OP-R:ASS'Y  
201503-03 O/O



32.D1491588  
KEYTOP:POWER S  
OURCE:BA



16.D1491505  
KEYTOP:STOP



15.D1491504  
KEYTOP:START



23.D1491515  
COVER:REAR:SM  
ALL:RIGHT



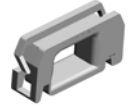
22.D1491514  
COVER:REAR:SM  
ALL:MIDDLE



21.D1491513  
COVER:REAR:SM  
ALL:LEFT



6.11050723  
CLAMPS:WES-050  
7



26.D1491532  
HINGE:ASS'Y



20.D1491512  
COVER:REAR:LA  
RGE



9.D1291508  
KEYTOP:HOME



7.11050724  
CLAMPS:WES-121  
0

10.D1291528  
SHEET:KEYTOP:LE  
FT



18.D1491510  
KEYTOP:LEFT



1.03520030N (x 4)  
SCREW:M2X3  
2.03530040N (x14)  
SCREW - M3X4  
5.04593010N (x21)  
BINDING HEAD TAPPING SCREW:3X10

24.D1491530  
(x2)  
SPACER:LCD:A



19.D1491511  
LENS:FRONT



U002\_S008  
 (D237-EU):OPERATION PANEL:SH:EU:ASS'Y

34.D1491592 (-EU):COVER:UPPER:CM  
 45.D1821425 LCD:TFT:WVGA-9:LED:AUO



47.D2371412 (D237-EU):OPERATION PANEL:SH:EU:ASS'Y

61.D1821432 CABLE:FFC:LCD

60.D1491431 CABLE:FFC:OP-R

58.D1491469 PCB:OP-L:USB:ASS'Y  
 201508-02 O/O

59.D1491430 CABLE:FFC:OP-L

51.D2371455 (D237-EU,-CHN,-TWN):PCB:LCDC:AR2FT:ASS'Y  
 46.D1821517 BRACKET:LCDC:SH

U001	<b>U002</b>	U003	U004	U005	U006	U007	U008	U009	U010	U011	U012	U013	U014	U015	U016
------	-------------	------	------	------	------	------	------	------	------	------	------	------	------	------	------

U002\_S009  
(D237-TWN):OPERATION PANEL:SH:TWN:ASS'Y

20.D1491512 COVER:REAR:LARGE  
31.D1491557 (-TWN):COVER:UPPER:SH  
26.D1491532 HINGE:ASSY  
6.11050723 CLAMPS:WES-0507  
17.D1491508 KEYTOP:RESET SWITCH



50.D2371405  
[A]  
(D237-TWN):OPERATION PANEL:SH:TWN:ASS'Y  
201501-04 O/O

12.D1491428 TOUCH PANEL:WVGA-9:MV  
201510-05 O/O



9.D1291508 KEYTOP:HOME



24.D1491530 (x2) SPACER:LCD:A



10.D1291528 SHEET:KEYTOP:LEFT



18.D1491510 KEYTOP:LEFT



19.D1491511 LENS:FRONT



25.D1491531 (x2) SPACER:LCD:B



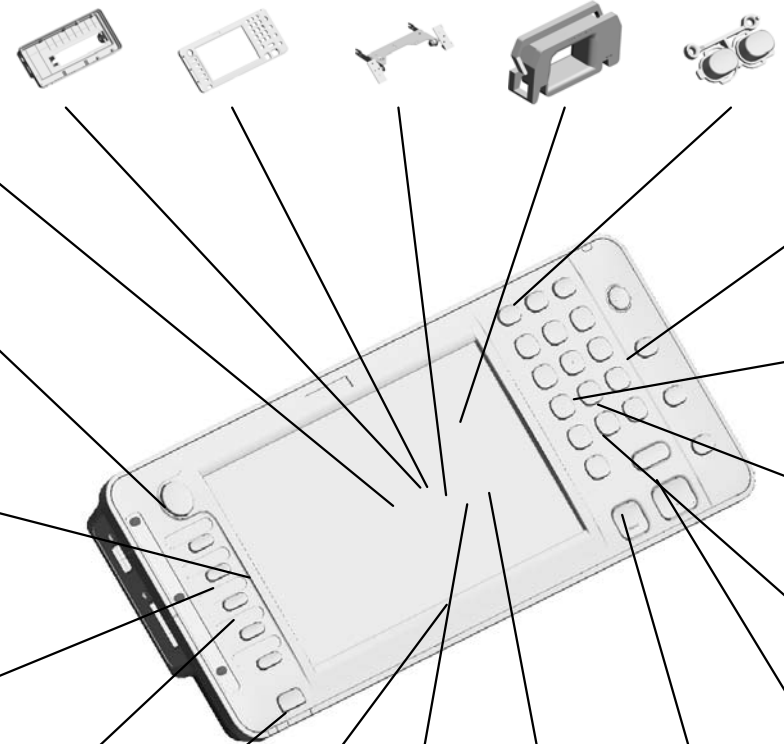
21.D1491513 COVER:REAR:SMA LL:LEFT



22.D1491514 COVER:REAR:SMA LL:MIDDLE



16.D1491505 KEYTOP:STOP



32.D1491588 KEYTOP:POWER SOURCE:BA



7.11050724 CLAMPS:WES-1210

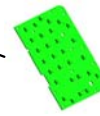


28.D1491538 (-EU.-CHN.-TWN):KEYTOP:10KEY

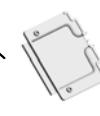


1.03520030N (x 4) SCREW:M2X3  
2.03530040N (x14) SCREW - M3X4  
5.04593010N (x21) BINDING HEAD TAPPING SCREW:3X10

14.D1461488 PCB:OP-R:ASSY  
201503-03 O/O



23.D1491515 COVER:REAR:SMA LL:RIGHT



15.D1491504 KEYTOP:START



U002\_S009  
 (D237-TWN):OPERATION PANEL:SH:TWN:ASS'Y

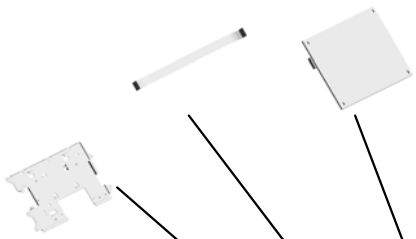
59.D1491430  
 CABLE:FFC:OP-L

51.D2371455  
 (D237-EU,-CHN,-T  
 WN):PCB:LCDC:AR  
 2FT:ASS'Y



50.D2371405  
 [A]  
 (D237-TWN):OPER  
 ATION PANEL:SH:T  
 WN:ASS'Y  
 201501-04 O/O

46.D1821517  
 BRACKET:LCDC:SH



58.D1491469  
 PCB:OP-L:USB:AS  
 SY  
 201508-02 O/O



60.D1491431  
 CABLE:FFC:OP-R



56.D1491558  
 (-TWN):COVER:UP  
 PER:CM  
 201506-07



45.D1821425  
 LCD:TFT:WVGA-9:  
 LED:AUO

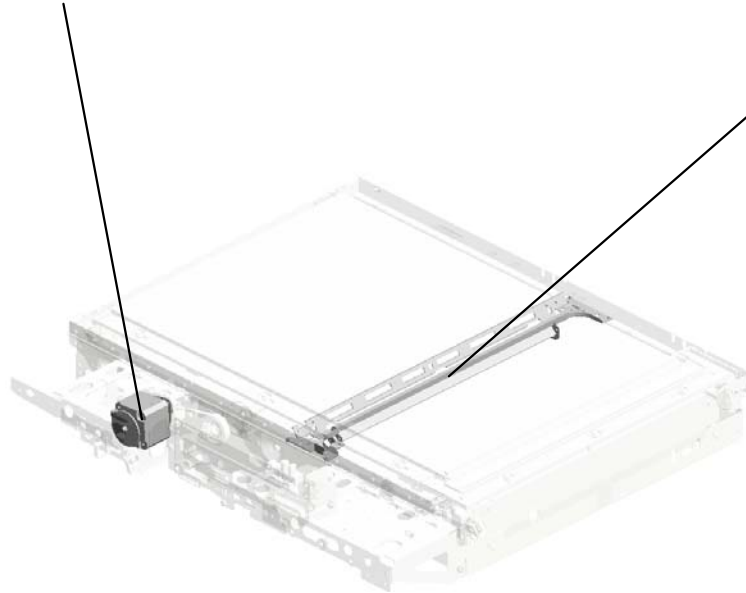
61.D1821432  
 CABLE:FFC:LCD



D2371415  
 [A]  
 (D237-TWN):OPER  
 ATION PANEL:SH:T  
 WN:ASS'Y  
 201501-04 O/O

# U003.SCANNER

U003\_S001  
D1491703  
DC STEPPER MOTOR



U003\_S002  
D1491730  
CARRIAGE:NO.1:ASSY



U001	U002	U003	U004	U005	U006	U007	U008	U009	U010	U011	U012	U013	U014	U015	U016
------	------	------	------	------	------	------	------	------	------	------	------	------	------	------	------

# U003 SCANNER

18.AA082144  
(x2)  
BUSHING - 8X12X7

21.AW010155  
(x2)  
ORIGINAL SENSO  
R:66MM:3.3V

22.AW020207  
PHOTOINTERRUP  
TOR:FLAT:PICH2M  
M:M4

24.B2381806  
(x4)  
IDLER PULLEY

17.A2501752  
EXPOSURE GLASS



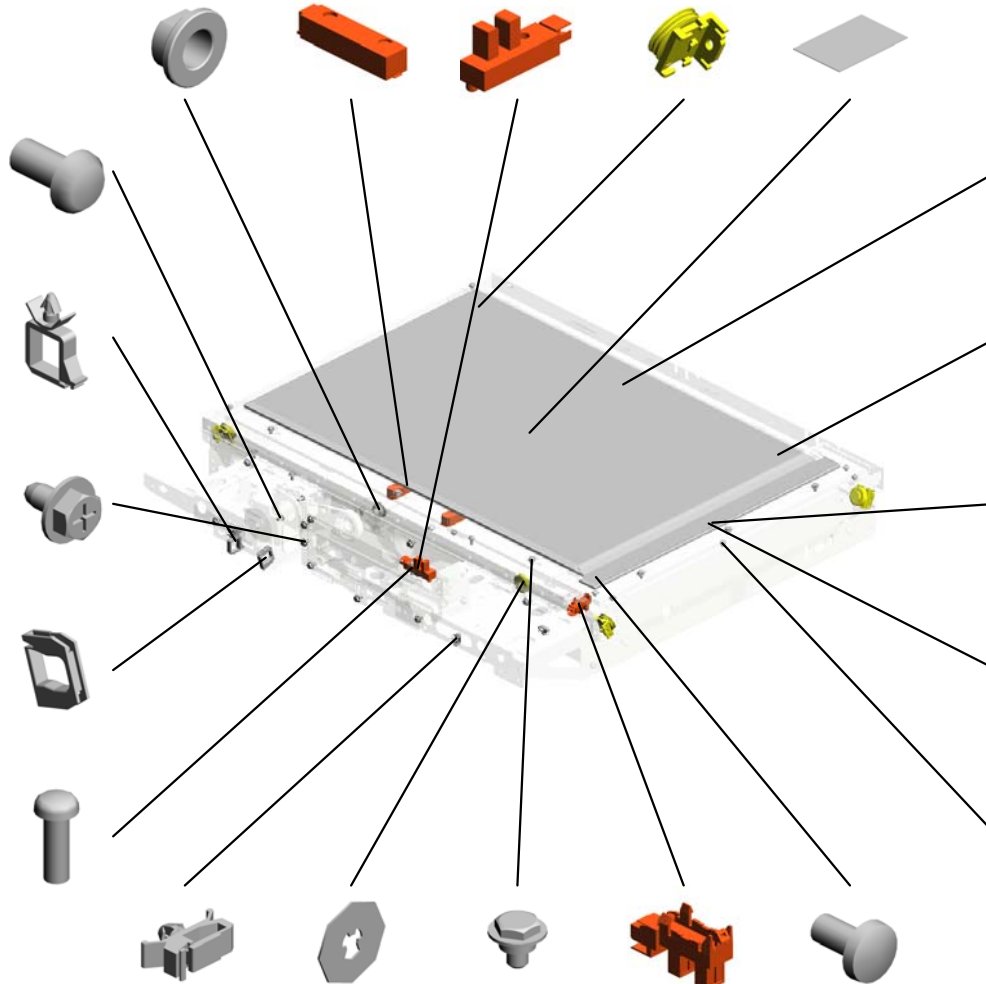
1.03130060N  
(x2)  
SCREW - M3X6

7.11050517  
HARNES CLAMP -  
LWS-2111Z  
201411-03 O/O

5.03603006N  
(x22)  
SCREW - M3X6

8.11050724  
CLAMPS:WES-121  
0

2.03140120N  
SCREW - M4X12



9.11050758  
(x2)  
CLAMP:LWSM-030  
6A

6.07200040E  
(x2)  
RETAINING RING -  
M4

19.AA143537  
(x6)  
SCREW:M3:BLACK

23.AW020214  
PHOTOINTERRUP  
TOR:LG248NL1A

4.03530060N  
(x4)  
BIND SCREW - M3  
X6

26.D0291749  
PULLEY:PROTECTI  
ON



9.11050758  
(x3)  
CLAMP:LWSM-030  
6A

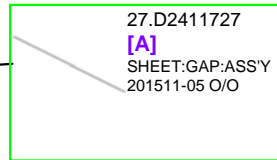


10.11050759  
CLAMP:LWSM-060  
5A

25.B2381807  
(x2)  
PULLEY



27.D2411727  
[A]  
SHEET:GAP:ASSY  
201511-05 O/O



11.11050762  
(x2)  
CLAMP:LWS-0711A



12.16072249  
FERRITE CORE:K3  
NF-70-A(N)BK0

28.D1471805  
EXPOSURE GLASS  
:DOCUMENT FEED  
ER:APPLY



3.03530030N  
(x8)  
SCREW:M3X3



73.08046123  
(x2)  
HEXAGONAL BOLT  
:W/WASHER:M3X8

5.03603006N (x 4)  
SCREW - M3X6

# U003 SCANNER

30.D1491694  
PLATE SEAL:APS:  
HARNESS

39.D1491717  
PULLEY:DRIVE WE  
RE:REAR

37.D1491714  
(x2)  
DRIVE WERE:DIA1

51.D1491771  
LENS:HOLDER:AS  
S'Y  
201504-05 X/O

36.D1491711  
SHAFT:SCANNER:  
DRIVE



34.D1491709  
(x3)  
TENSION SPRING:  
TENSION:11.3N:30  
MM

32.D1491705  
BRACKET:DC STE  
PPER MOTOR

40.D1491718  
BRACKET:TENSIO  
N:REAR

33.D1491706  
SYNCHRONOUS B  
ELT:138ST1.5-4.0

35.D1491710  
TIMING PULLEY:62

29.D1491693  
GUIDE:FFC

43.D1491728  
GUIDE:HARNESS:L  
ED-B

48.D1491755  
COVER:FFC:CARRI  
AGE:NO.2

47.D1491754  
GUIDE:FFC:CARRI  
AGE:NO.2

50.D1491757  
MIRROR:NO.3:CON  
VEX:ASSY

41.D1491719  
BRACKET:TENSIO  
N:FRONT

38.D1491715  
PULLEY:DRIVE WE  
RE:FRONT

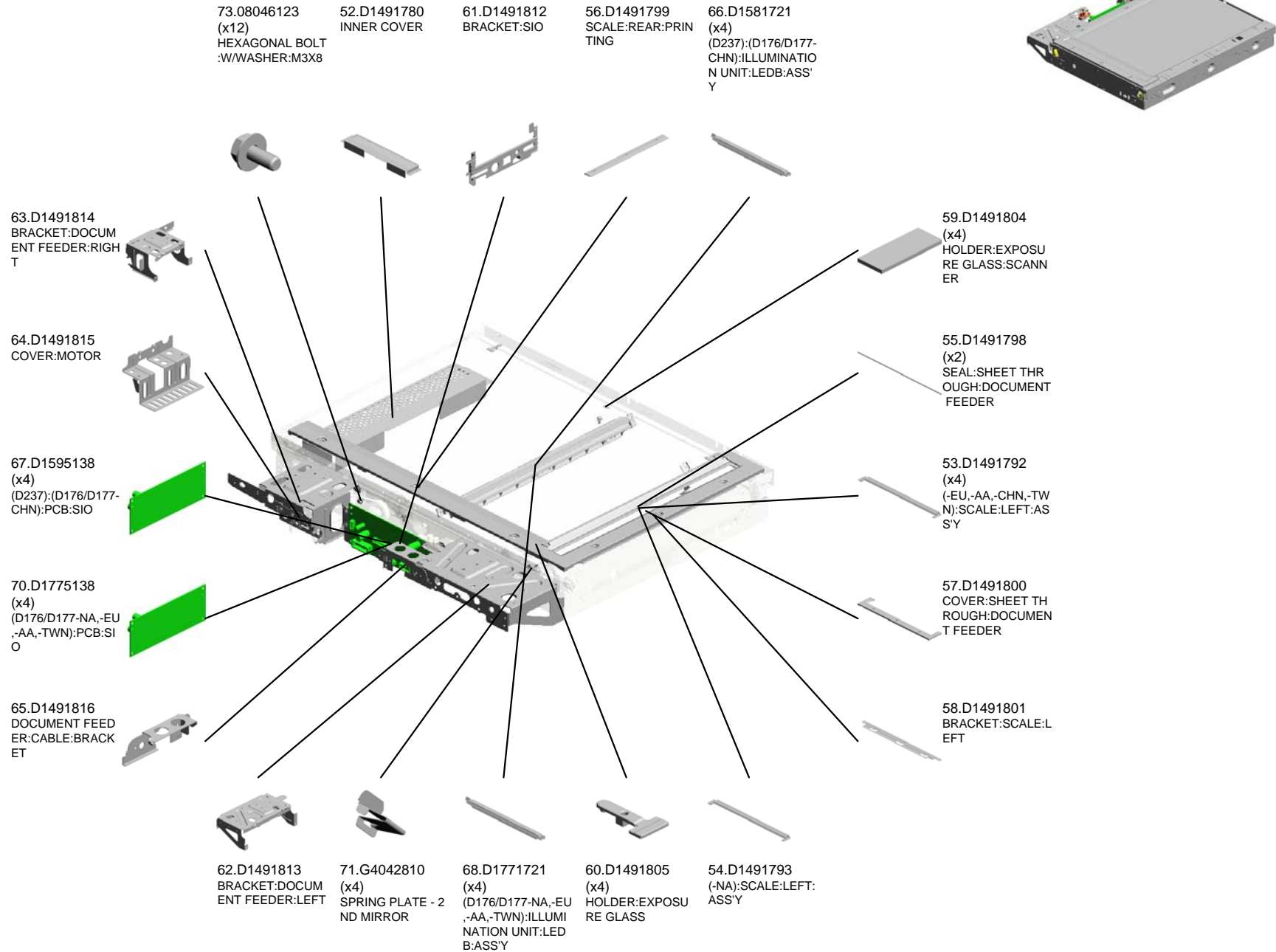
42.D1491726  
(x2)  
CLAMP:DRIVE WE  
RE

49.D1491756  
MIRROR:NO.2:CON  
CAVE:ASSY

46.D1491742  
CARRIAGE:NO.2:S  
UB-ASSY

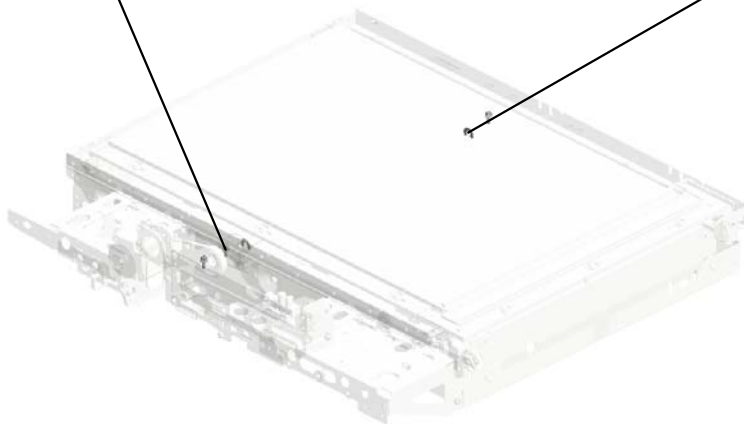


# U003 SCANNER



# U003 SCANNER

74.08025312  
(x3)  
TAPPING SCREW:  
WASHER:3X10



75.08050106  
(x2)  
RETAINING RINGS  
-E:SILENCER:DIA6

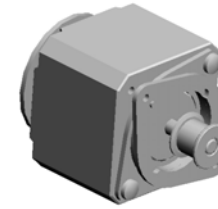


D1471750  
[A]  
SHEET:GAP:ASSY  
201511-05 O/O

U001	U002	U003	U004	U005	U006	U007	U008	U009	U010	U011	U012	U013	U014	U015	U016
------	------	------	------	------	------	------	------	------	------	------	------	------	------	------	------

U003\_S001  
DC STEPPER MOTOR

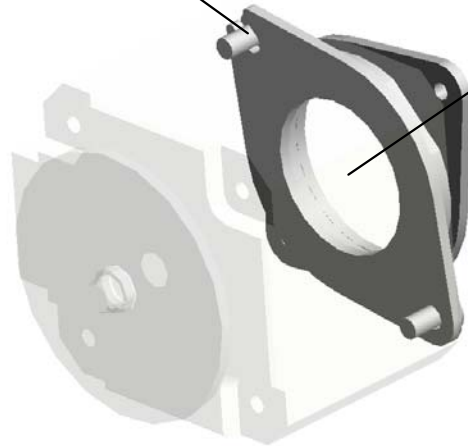
4.03530060N  
(x2)  
BIND SCREW - M3  
X6



31.D1491703  
DC STEPPER MOT  
OR



16.A2324666  
CUSHION - STEPP  
ER MOTOR

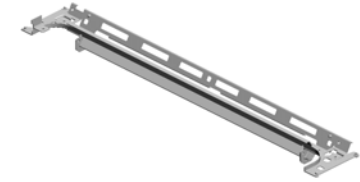


U001	U002	U003	U004	U005	U006	U007	U008	U009	U010	U011	U012	U013	U014	U015	U016
------	------	------	------	------	------	------	------	------	------	------	------	------	------	------	------

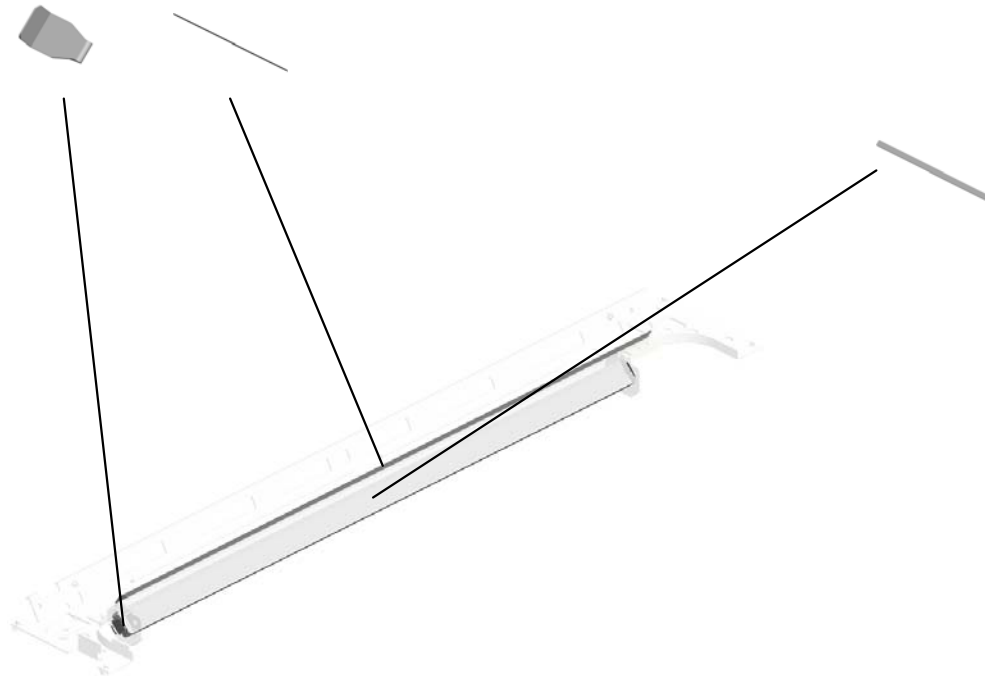
U003\_S002  
CARRIAGE:NO.1:ASS'Y

72.M0261815  
(x2)  
CLAMP:MIRROR:N  
O.1

45.D1491731  
REFLECTOR:SCAN  
NER



44.D1491730  
CARRIAGE:NO.1:A  
SS'Y



20.AC030169  
MIRROR:NO.1

U001	U002	U003	U004	U005	U006	U007	U008	U009	U010	U011	U012	U013	U014	U015	U016
------	------	------	------	------	------	------	------	------	------	------	------	------	------	------	------

# U004.PAPER FEED

U004\_S004  
D1752733  
PAPER FEED UNIT:NO.1:ASS  
Y

U004\_S001  
D1492905  
SUPPORTER:RIGHT:NO.1:AS  
S'Y

U004\_S006  
D1752801  
PAPER TRAY:NO.1:ASS'Y

U004\_S003  
D1492713  
GUIDE PLATE:SWIVEL:NO.1

U004\_S007  
D1752813  
(-NA):PAPER TRAY:NO.2:ASS  
Y

U004\_S005  
D1752734  
PAPER FEED UNIT:NO.2:ASS  
Y

U004\_S008  
D1752812  
(-EU,-AA,-CHN,-TWN):PAPER  
TRAY:NO.2:ASS'Y

U004\_S002  
D1492903  
SUPPORTER:RIGHT:NO.2:AS  
S'Y

U004\_S009  
D1752812  
(-EU,-AA,-CHN,-TWN):PAPER  
TRAY:NO.2:ASS'Y

U004\_S010  
D1752894  
(-EU,-AA,-CHN,-TWN):PAPER  
TRAY:NO.2:ASS'Y

U004\_S011  
D1752894  
(-EU,-AA,-CHN,-TWN):PAPER  
TRAY:NO.2:ASS'Y

U004\_S012  
D2372814  
(C2011SP-TWN/-CHN/-EU/-A  
A):PAPER TRAY:NO.2:ASS'Y

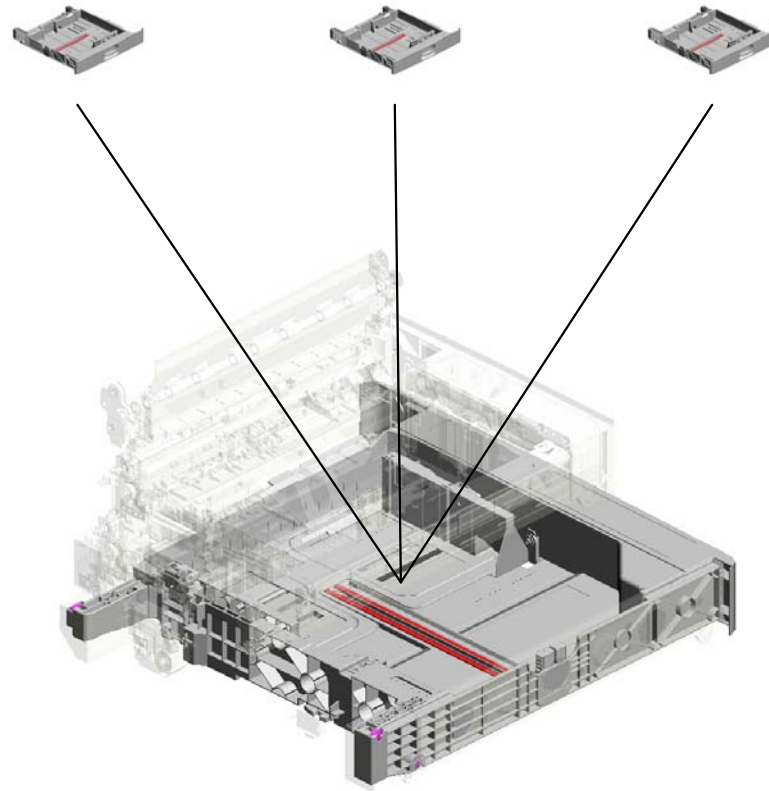
U001	U002	U003	U004	U005	U006	U007	U008	U009	U010	U011	U012	U013	U014	U015	U016
------	------	------	------	------	------	------	------	------	------	------	------	------	------	------	------

# U004.PAPER FEED

U004\_S013  
D2372814  
(C2011SP-TWN/-CHN/-EU/-A  
A):PAPER TRAY:NO.2:ASS'Y

U004\_S014  
D2372814  
(C2011SP-TWN/-CHN/-EU/-A  
A):PAPER TRAY:NO.2:ASS'Y

U004\_S015  
D2372814  
(C2011SP-TWN/-CHN/-EU/-A  
A):PAPER TRAY:NO.2:ASS'Y



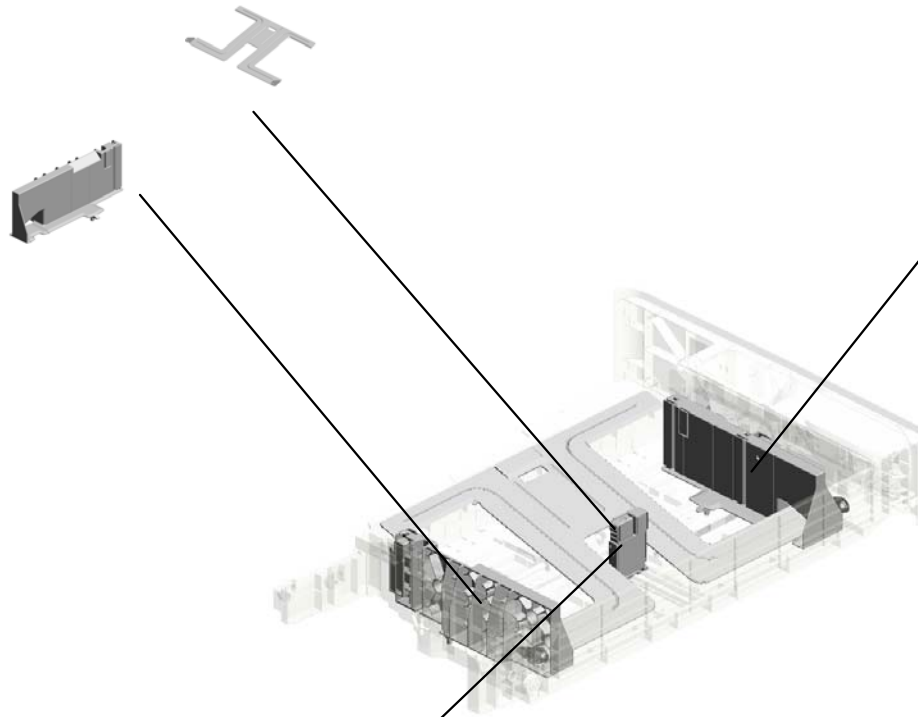
U001	U002	U003	U004	U005	U006	U007	U008	U009	U010	U011	U012	U013	U014	U015	U016
------	------	------	------	------	------	------	------	------	------	------	------	------	------	------	------

# U004\_S006.PAPER TRAY:NO.1:ASS'Y

U004\_S006\_S004  
D1492850  
TRAY BOTTOM PLATE:ASS'Y

U004\_S006\_S002  
D1492838  
SIDE FENCE:REAR:NO.1:AS  
S'Y

U004\_S006\_S001  
D1492828  
SIDE FENCE:FRONT:NO.1:A  
SS'Y



U004\_S006\_S003  
D1492840  
END FENCE:PAPER TRAY:A  
SS'Y

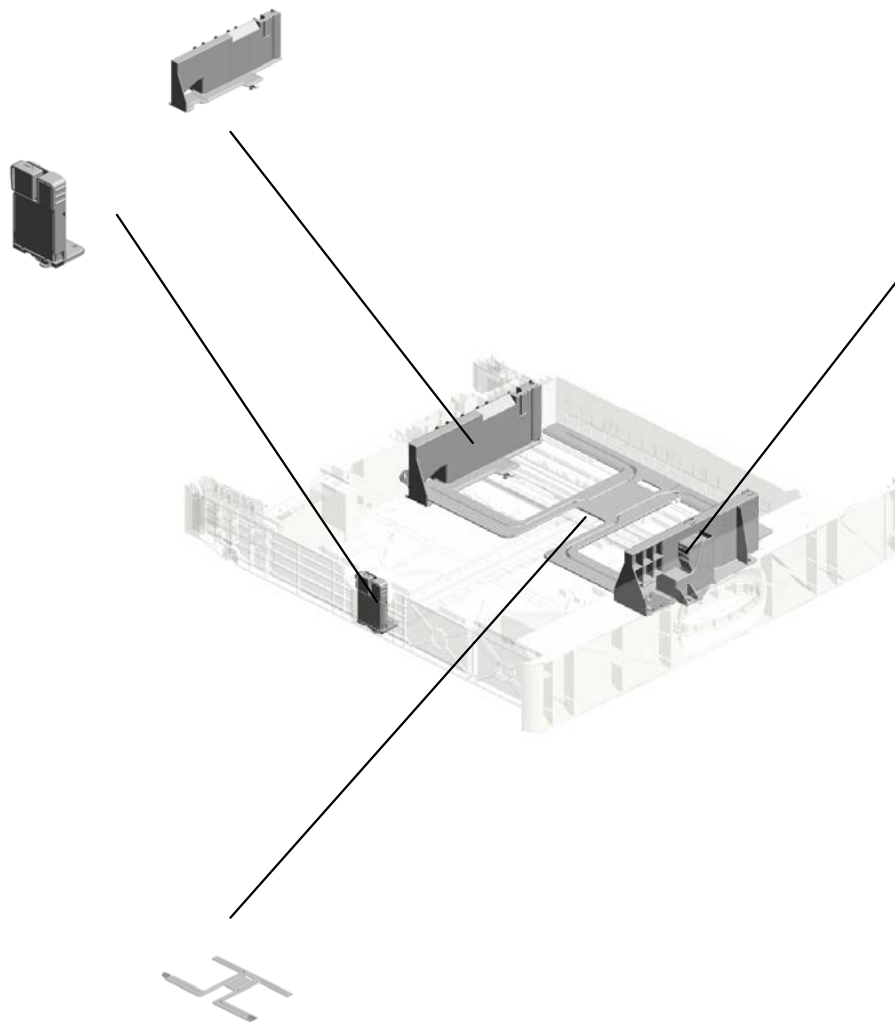
U001	U002	U003	<b>U004</b>	U005	U006	U007	U008	U009	U010	U011	U012	U013	U014	U015	U016
------	------	------	-------------	------	------	------	------	------	------	------	------	------	------	------	------

# U004\_S007.(-NA):PAPER TRAY:NO.2:ASS'Y

U004\_S007\_S002  
D1492885  
SIDE FENCE:REAR:ASS'Y

U004\_S007\_S003  
D1492840  
END FENCE:PAPER TRAY:ASS'Y

U004\_S007\_S001  
D1492878  
SIDE FENCE:FRONT:ASS'Y



U004\_S007\_S004  
D1492873  
TRAY BOTTOM PLATE:NO.2:  
ASS'Y

U001	U002	U003	<b>U004</b>	U005	U006	U007	U008	U009	U010	U011	U012	U013	U014	U015	U016
------	------	------	-------------	------	------	------	------	------	------	------	------	------	------	------	------

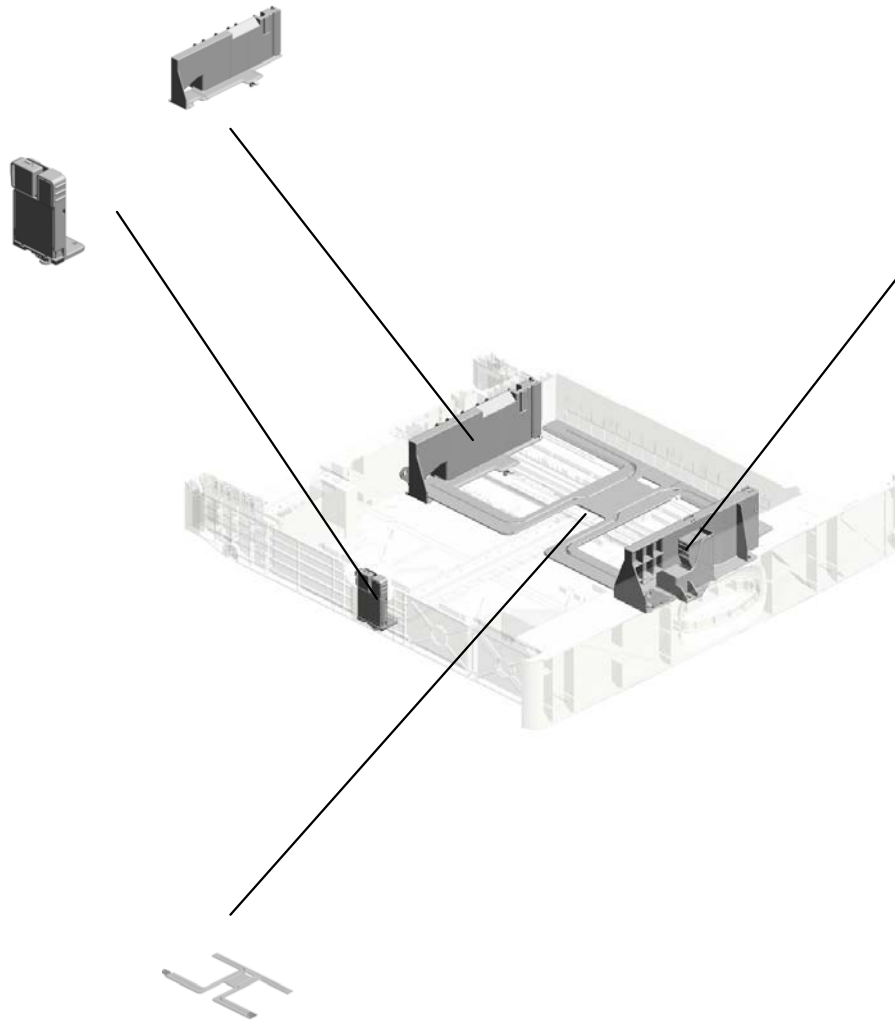


# U004\_S008.(-EU,-AA,-CHN,-TWN):PAPER TRAY:NO.2:ASS'Y

U004\_S008\_S002  
D1492885  
SIDE FENCE:REAR:ASS'Y

U004\_S008\_S003  
D1492840  
END FENCE:PAPER TRAY:ASS'Y

U004\_S008\_S001  
D1492878  
SIDE FENCE:FRONT:ASS'Y



U004\_S008\_S004  
D1492873  
TRAY BOTTOM PLATE:NO.2:  
ASS'Y

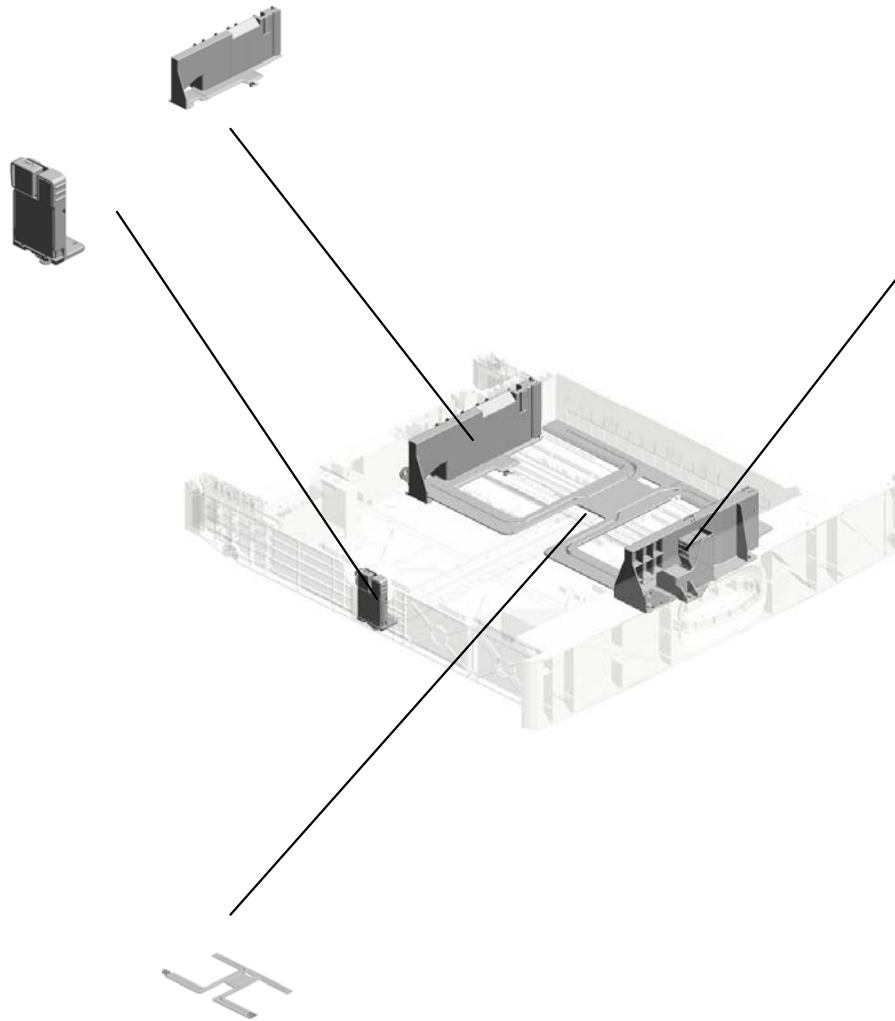
U001	U002	U003	<b>U004</b>	U005	U006	U007	U008	U009	U010	U011	U012	U013	U014	U015	U016
------	------	------	-------------	------	------	------	------	------	------	------	------	------	------	------	------

# U004\_S009.(-EU,-AA,-CHN,-TWN):PAPER TRAY:NO.2:ASS'Y

U004\_S009\_S002  
D1492885  
SIDE FENCE:REAR:ASS'Y

U004\_S009\_S003  
D1492840  
END FENCE:PAPER TRAY:ASS'Y

U004\_S009\_S001  
D1492878  
SIDE FENCE:FRONT:ASS'Y



U004\_S009\_S004  
D1492873  
TRAY BOTTOM PLATE:NO.2:  
ASS'Y

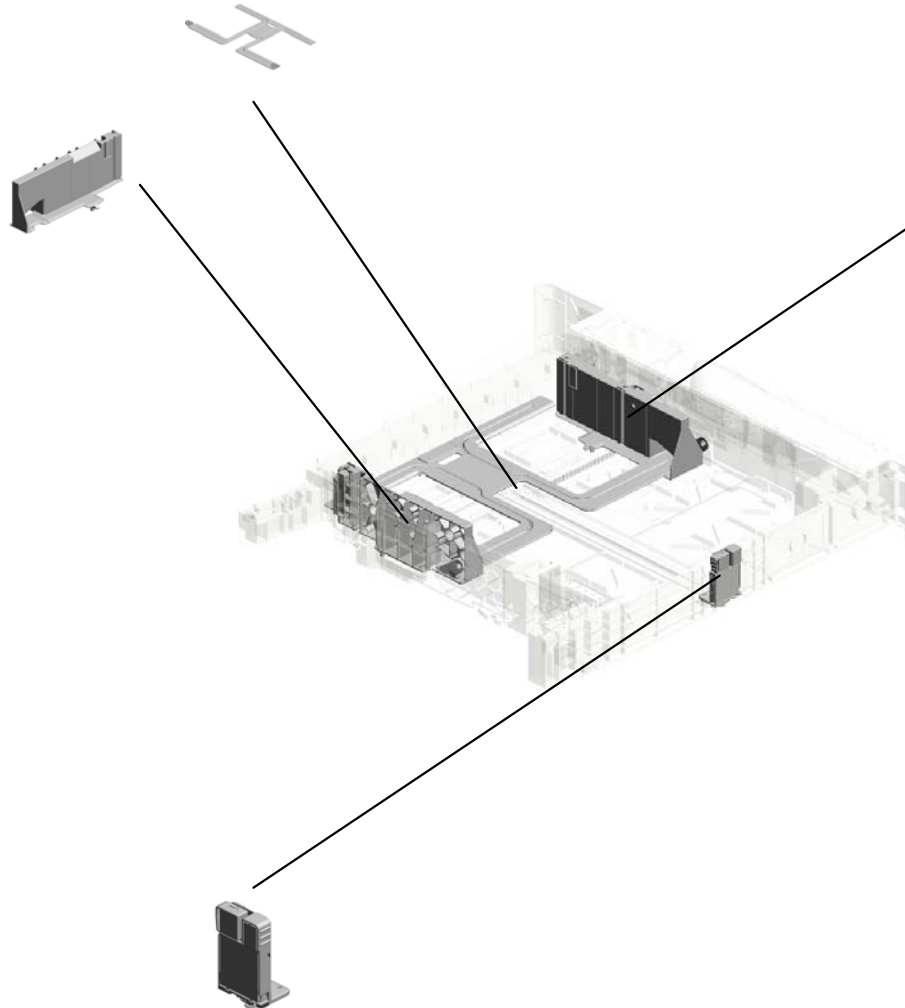
U001	U002	U003	<b>U004</b>	U005	U006	U007	U008	U009	U010	U011	U012	U013	U014	U015	U016
------	------	------	-------------	------	------	------	------	------	------	------	------	------	------	------	------

# U004\_S010.(-EU,-AA,-CHN,-TWN):PAPER TRAY:NO.2:ASS'Y

U004\_S010\_S04  
D1492873  
TRAY BOTTOM PLATE:NO.2:  
ASS'Y

U004\_S010\_S02  
D1492885  
SIDE FENCE:REAR:ASS'Y

U004\_S010\_S01  
D1492878  
SIDE FENCE:FRONT:ASS'Y



U004\_S010\_S03  
D1492840  
END FENCE:PAPER TRAY:A  
SS'Y

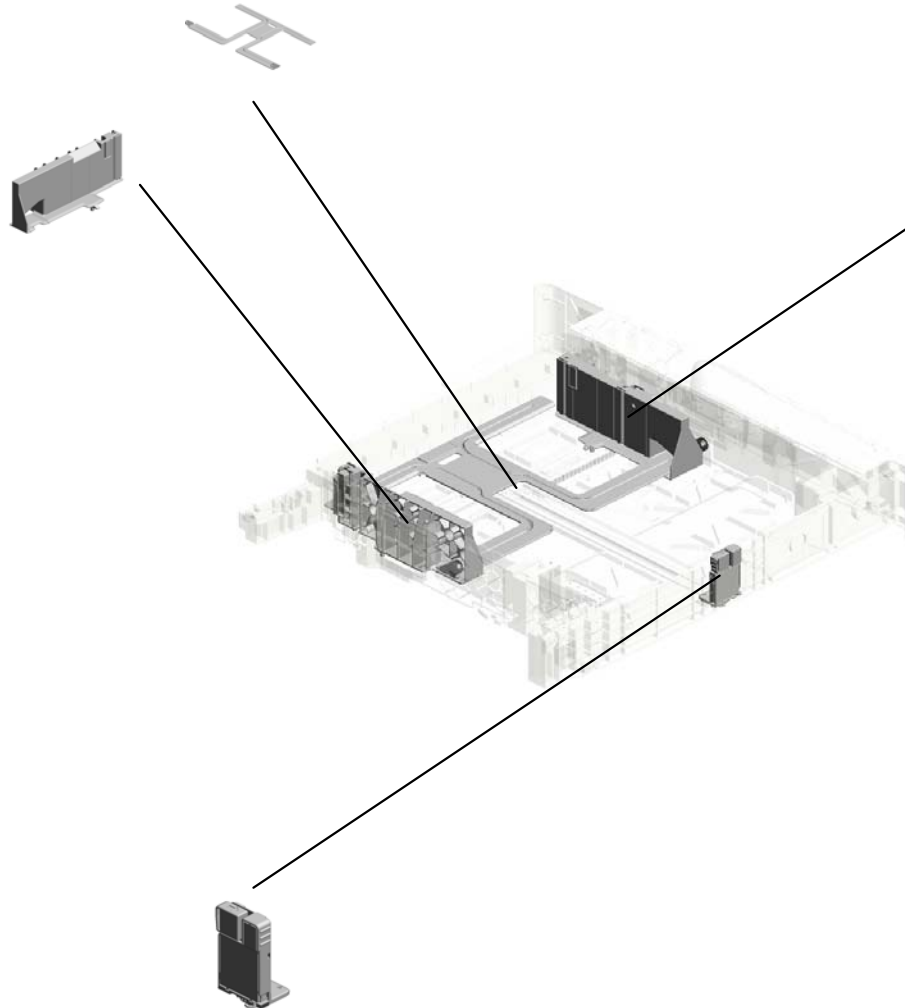
U001	U002	U003	<b>U004</b>	U005	U006	U007	U008	U009	U010	U011	U012	U013	U014	U015	U016
------	------	------	-------------	------	------	------	------	------	------	------	------	------	------	------	------

# U004\_S011.(-EU,-AA,-CHN,-TWN):PAPER TRAY:NO.2:ASS'Y

U004\_S011\_S004  
D1492873  
TRAY BOTTOM PLATE:NO.2:  
ASS'Y

U004\_S011\_S002  
D1492885  
SIDE FENCE:REAR:ASS'Y

U004\_S011\_S001  
D1492878  
SIDE FENCE:FRONT:ASS'Y



U004\_S011\_S003  
D1492840  
END FENCE:PAPER TRAY:A  
SS'Y

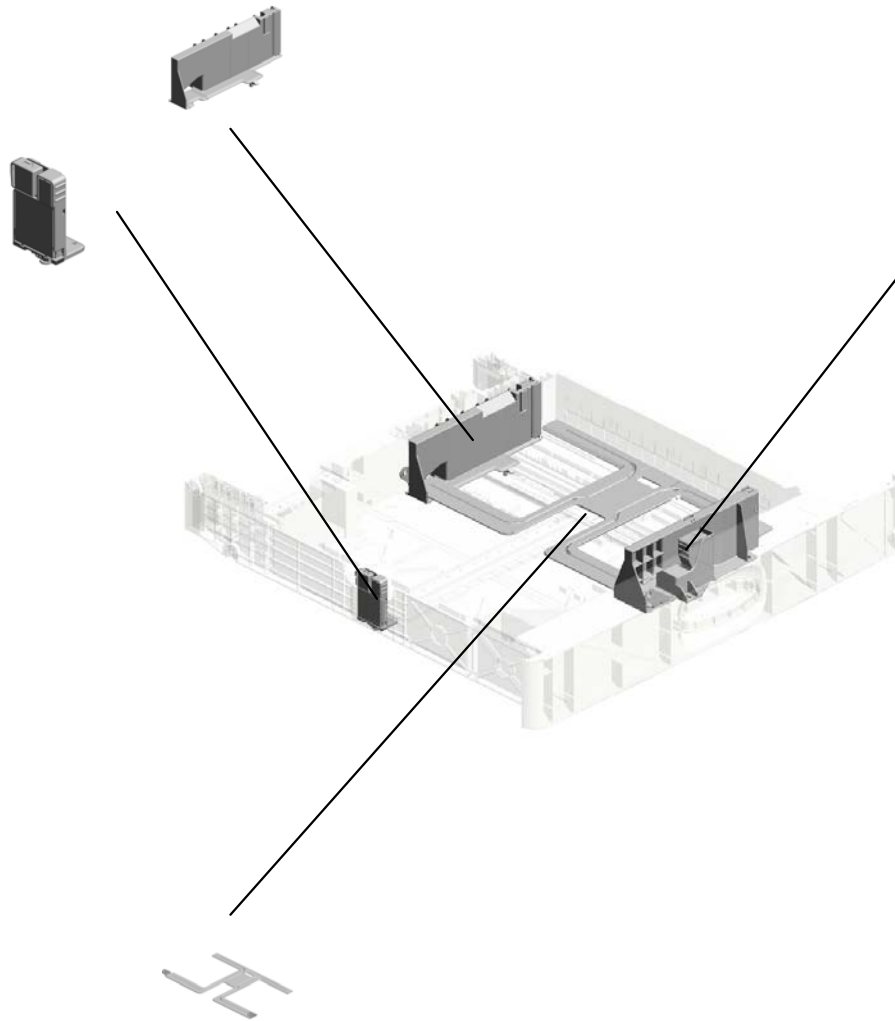
U001	U002	U003	<b>U004</b>	U005	U006	U007	U008	U009	U010	U011	U012	U013	U014	U015	U016
------	------	------	-------------	------	------	------	------	------	------	------	------	------	------	------	------

# U004\_S012.(C2011SP-TWN/-CHN/-EU/-AA):PAPER TRAY:NO.2:ASS'Y

U004\_S012\_S002  
D1492885  
SIDE FENCE:REAR:ASS'Y

U004\_S012\_S003  
D1492840  
END FENCE:PAPER TRAY:ASS'Y

U004\_S012\_S001  
D1492878  
SIDE FENCE:FRONT:ASS'Y



U004\_S012\_S004  
D1492873  
TRAY BOTTOM PLATE:NO.2:  
ASS'Y

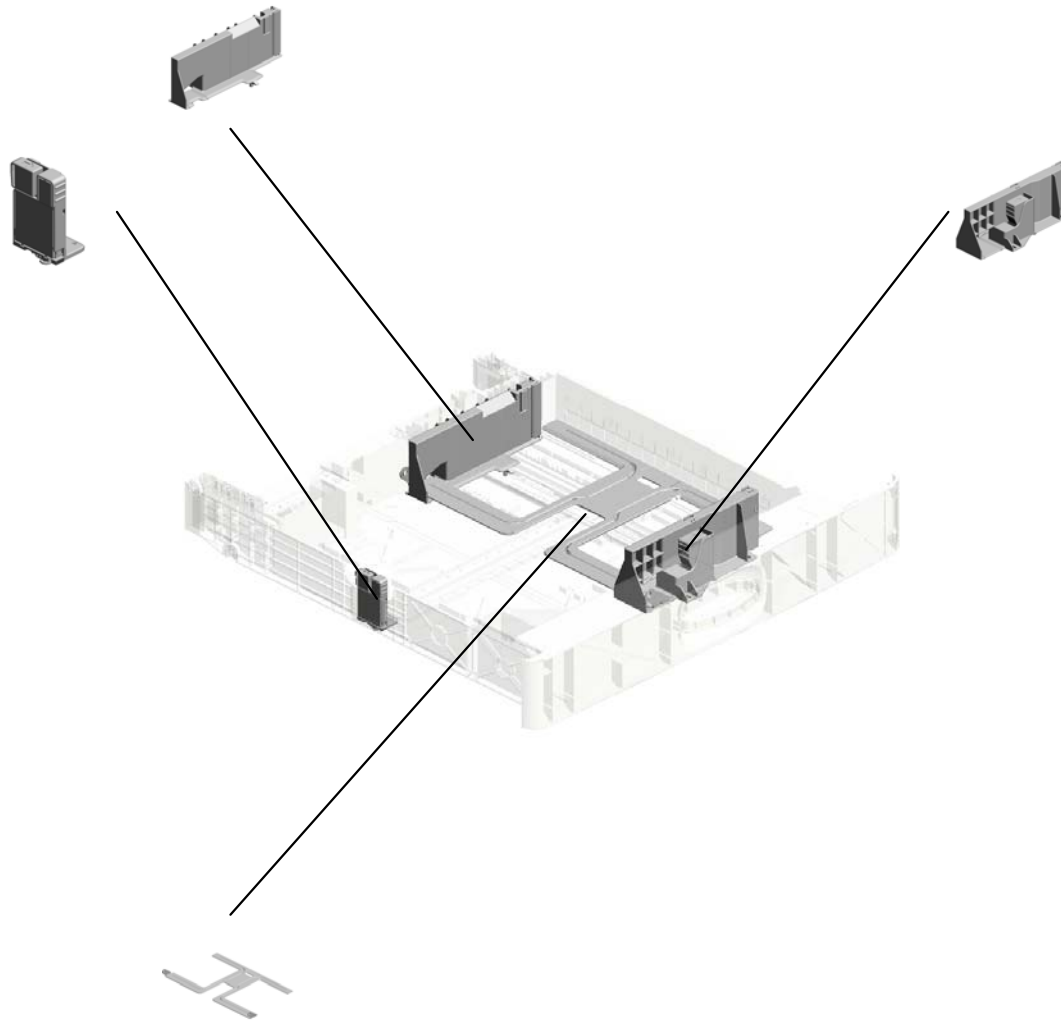
U001	U002	U003	<b>U004</b>	U005	U006	U007	U008	U009	U010	U011	U012	U013	U014	U015	U016
------	------	------	-------------	------	------	------	------	------	------	------	------	------	------	------	------

# U004\_S013.(C2011SP-TWN/-CHN/-EU/-AA):PAPER TRAY:NO.2:ASS'Y

U004\_S013\_S002  
D1492885  
SIDE FENCE:REAR:ASS'Y

U004\_S013\_S003  
D1492840  
END FENCE:PAPER TRAY:ASS'Y

U004\_S013\_S001  
D1492878  
SIDE FENCE:FRONT:ASS'Y



U004\_S013\_S004  
D1492873  
TRAY BOTTOM PLATE:NO.2:  
ASS'Y

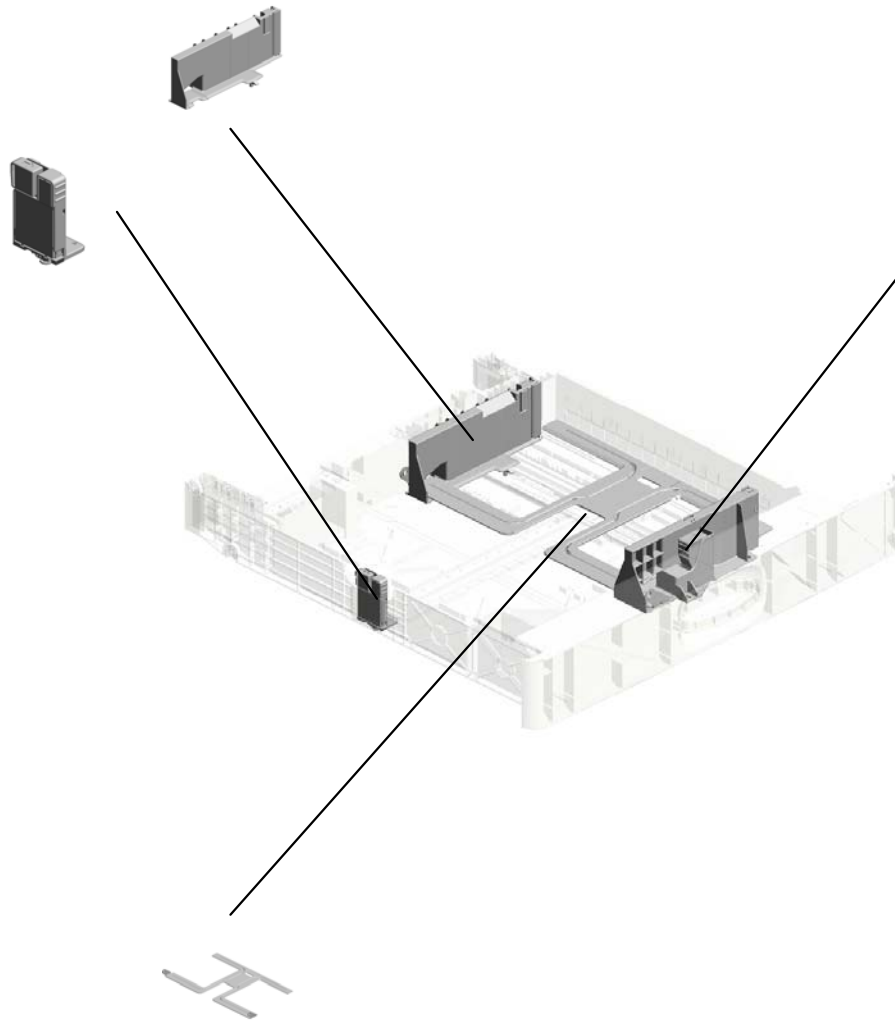
U001	U002	U003	<b>U004</b>	U005	U006	U007	U008	U009	U010	U011	U012	U013	U014	U015	U016
------	------	------	-------------	------	------	------	------	------	------	------	------	------	------	------	------

# U004\_S014.(C2011SP-TWN/-CHN/-EU/-AA):PAPER TRAY:NO.2:ASS'Y

U004\_S014\_S002  
D1492885  
SIDE FENCE:REAR:ASS'Y

U004\_S014\_S003  
D1492840  
END FENCE:PAPER TRAY:ASS'Y

U004\_S014\_S001  
D1492878  
SIDE FENCE:FRONT:ASS'Y



U004\_S014\_S004  
D1492873  
TRAY BOTTOM PLATE:NO.2:  
ASS'Y

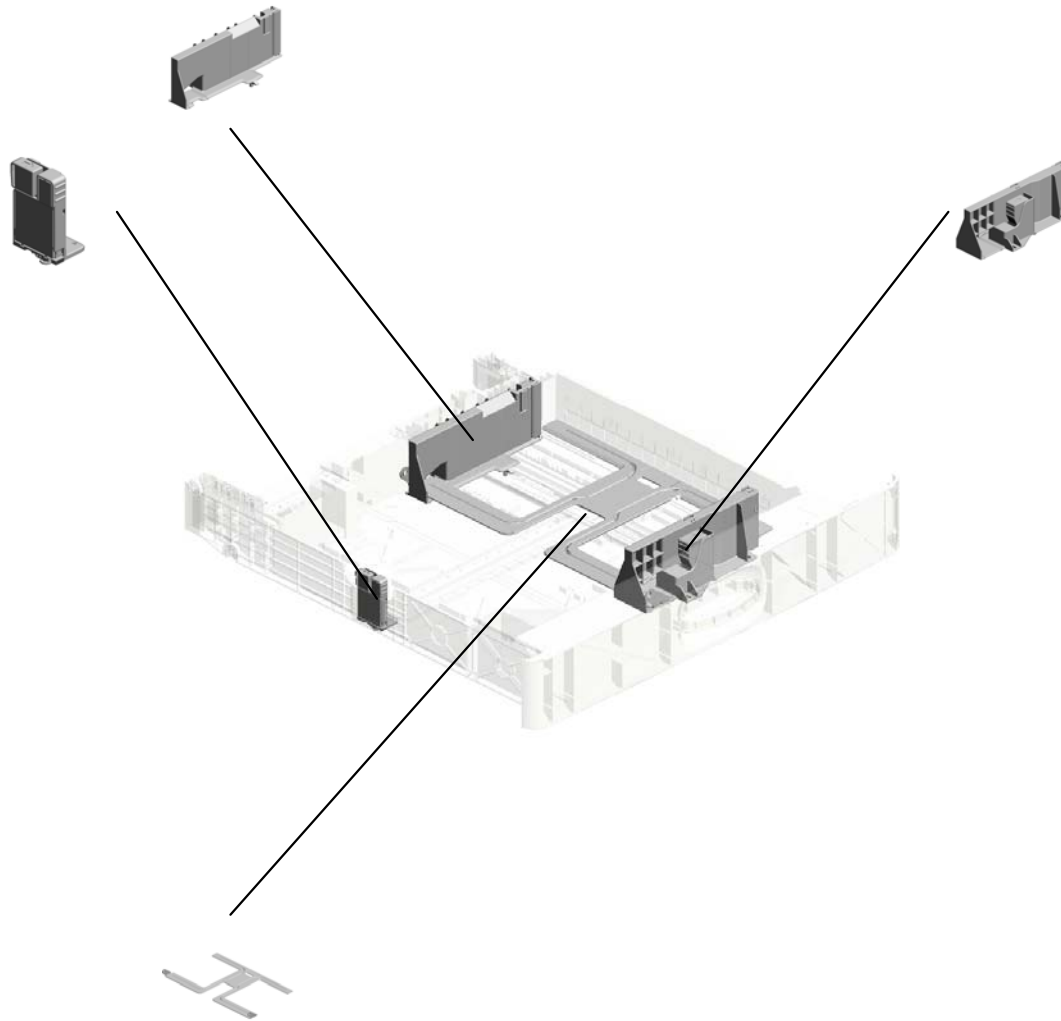
U001	U002	U003	<b>U004</b>	U005	U006	U007	U008	U009	U010	U011	U012	U013	U014	U015	U016
------	------	------	-------------	------	------	------	------	------	------	------	------	------	------	------	------

# U004\_S015.(C2011SP-TWN/-CHN/-EU/-AA):PAPER TRAY:NO.2:ASS'Y

U004\_S015\_S002  
D1492885  
SIDE FENCE:REAR:ASS'Y

U004\_S015\_S003  
D1492840  
END FENCE:PAPER TRAY:ASS'Y

U004\_S015\_S001  
D1492878  
SIDE FENCE:FRONT:ASS'Y



U004\_S015\_S004  
D1492873  
TRAY BOTTOM PLATE:NO.2:  
ASS'Y

U001	U002	U003	<b>U004</b>	U005	U006	U007	U008	U009	U010	U011	U012	U013	U014	U015	U016
------	------	------	-------------	------	------	------	------	------	------	------	------	------	------	------	------



# U004 PAPER FEED

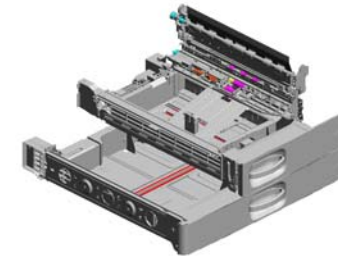
2.04543006Q  
(x35)  
TAPPING SCREW -  
M3X6

15.AA082175  
(x2)  
PLAIN SHAFT BEA  
RING:8X12X7

8.11050758  
(x2)  
CLAMP:LWSM-030  
6A

46.D1492576  
GUIDE PLATE:REG  
ISTRATION:FRONT  
LEFT

43.D1492561  
SHAFT:REGISTRA  
TION ROLLER:DRI  
VEN



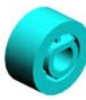
7.07200060E  
(x3)  
RETAINING RING -  
M6



13.AA082173  
(x2)  
PLAIN SHAFT BEA  
RING:6X10X6



18.AB011573  
GEAR:REGISTRATI  
ON:NO.2



4.04583008N  
(x4)  
HEXAGON HEAD T  
APPING SCREW:3  
X8



6.07200040E  
(x2)  
RETAINING RING -  
M4



3.04543008Q  
(x5)  
TAPPING SCREW:  
3X8



60.D1492787  
BRACKET:SUPPO  
RT:COVER



61.D1492788  
INNER COVER:HA  
RNNESS:PAPER FE  
ED UNIT



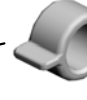
17.AB011572  
GEAR:Z19:DRIVEN  
REGISTRATION



26.AX040273  
(x2)  
DC MOTOR:RISING  
TRAY:ASSY:1.007  
W:BRUSH



44.D1492562  
(x2)  
COLLAR:REGISTR  
ATION ROLLER



9.11050765  
CLAMP:LWS-2218A



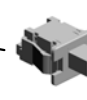
45.D1492566  
CASE:REMOVE PA  
PER DUST:ASSY



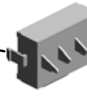
49.D1492721  
GUIDE PLATE:SWI  
VEL:NO.2



24.AW500040  
(x2)  
PUSH SWITCH:SW  
1AG-550:10MA

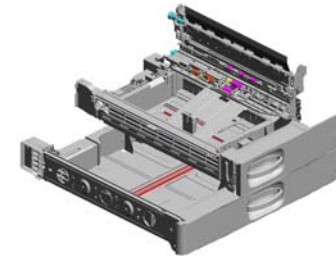


25.AW500041  
PUSH SWITCH:PA  
PER SIZE SENSOR



# U004 PAPER FEED

127.GW010007 PHOTO REFLECTI  
ON SENSOR:EXIT  
126.GA143003 SCREW:MM5:2.5M  
M  
104.D1492918 SUPPORTER:LEFT  
UPPER:NO.1



122.D1752886  
COVER:TRAY:REA  
R RIGHT:NO.1



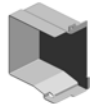
100.D1492887  
COVER:TRAY:REA  
R LEFT:NO.1



123.D1752888  
COVER:TRAY:REA  
R RIGHT:NO.2



101.D1492889  
COVER:TRAY:REA  
R LEFT:NO.2



109.D1492930  
SUPPORTER:LEFT  
LOWER:NO.1



107.D1492925  
SUPPORTER:LEFT  
:NO.2



128.08050103  
(x2)  
RETAINING RINGS  
-E:SILENCER:DIA3



112.D1492958  
ROLLER:SUPPORT  
ER:PAPER TRAY:L  
EFT



108.D1492928  
ROLLER:SUPPORT  
ER:PAPER TRAY:L  
EFT



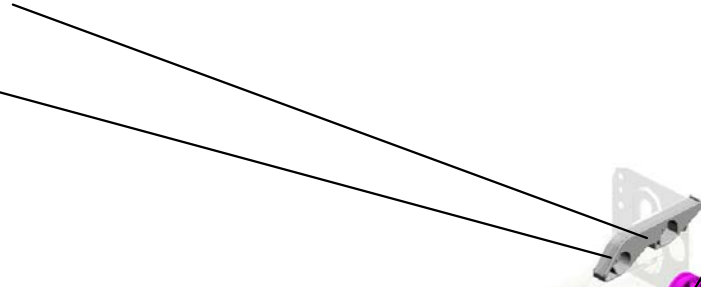
U004\_S001  
SUPPORTER:RIGHT:NO.1:ASS'Y

106.D1492924  
STOPPER:PAPER  
TRAY



103.D1492905  
SUPPORTER:RIGH  
T:NO.1:ASS'Y

2.04543006Q  
(x3)  
TAPPING SCREW -  
M3X6



128.08050103  
RETAINING RINGS  
-E:SILENCER:DIA3



111.D1492956  
ROLLER:SUPPORT  
ER:PAPER TRAY

U001	U002	U003	U004	U005	U006	U007	U008	U009	U010	U011	U012	U013	U014	U015	U016
------	------	------	------	------	------	------	------	------	------	------	------	------	------	------	------

U004\_S002  
SUPPORTER:RIGHT:NO.2:ASS'Y

2.04543006Q  
(x3)  
TAPPING SCREW -  
M3X6

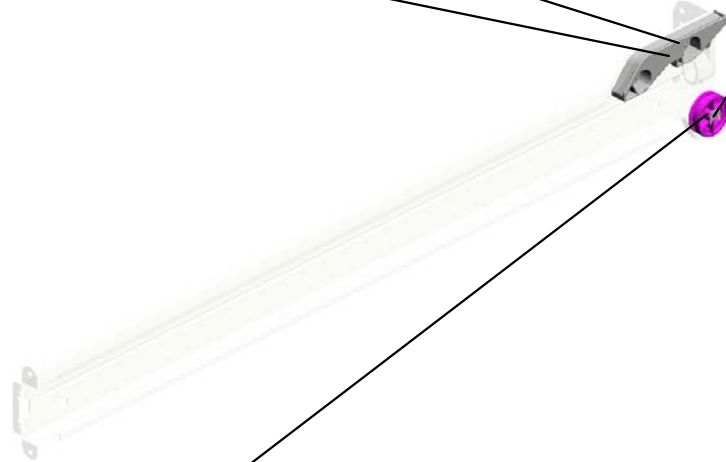


102.D1492903  
SUPPORTER:RIGH  
T:NO.2:ASS'Y

106.D1492924  
STOPPER:PAPER  
TRAY



128.08050103  
RETAINING RINGS  
-E:SILENCER:DI3



105.D1492923  
ROLLER:SUPPORT  
ER:PAPER TRAY



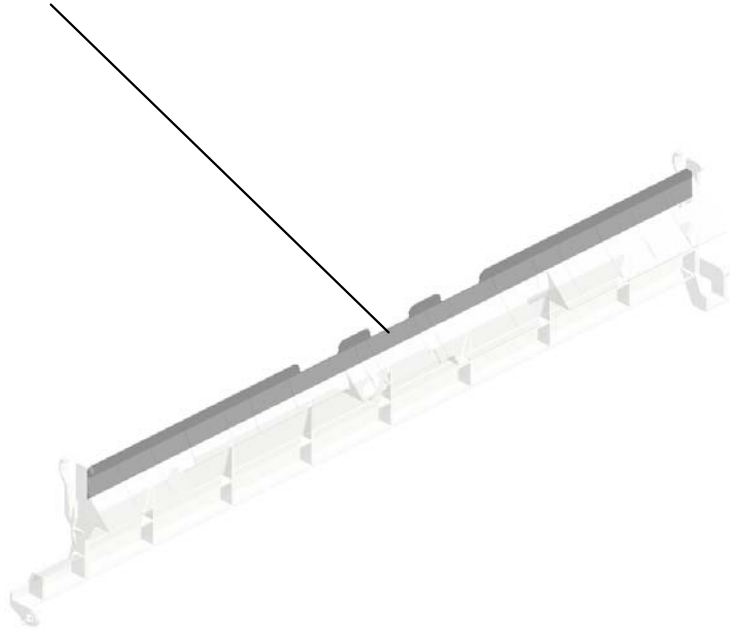
U001	U002	U003	U004	U005	U006	U007	U008	U009	U010	U011	U012	U013	U014	U015	U016
------	------	------	------	------	------	------	------	------	------	------	------	------	------	------	------

U004\_S003  
GUIDE PLATE:SWIVEL:NO.1

47.D1492712  
SHEET:GUIDE PLA  
TE:SWIVEL

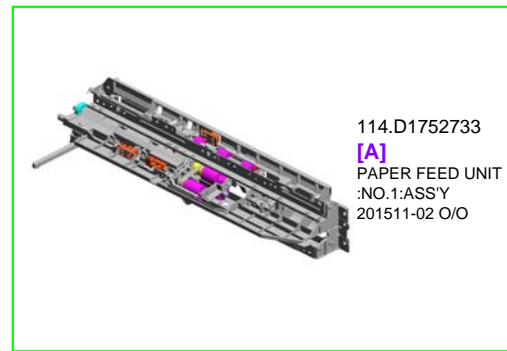


48.D1492713  
GUIDE PLATE:SWI  
VEL:NO.1



U001	U002	U003	U004	U005	U006	U007	U008	U009	U010	U011	U012	U013	U014	U015	U016
------	------	------	------	------	------	------	------	------	------	------	------	------	------	------	------

U004\_S004  
PAPER FEED UNIT:NO.1:ASS'Y



114.D1752733  
[A]  
PAPER FEED UNIT  
:NO.1:ASS'Y  
201511-02 O/O

- 8.11050758 (x2) CLAMP:LWSM-030 6A
- 2.04543006Q (x10) TAPPING SCREW - M3X6
- 33.D1472734 GUIDE PLATE:SEPARATE
- 37.D1482751 ARM:PRESSURE:SEPARATE 201508-03 O/O
- 14.AA082174 PLAIN SHAFT BEARING:6X10X9

31.D0892764  
GEAR:FEED



23.AW020203 (x2) PHOTOINTERRUPTOR:GP1A173LCS 2F



34.D1472736  
BRACKET:SEPARATE:REAR



36.D1472738  
LINK:RELEASE



10.52062686  
SNAP RING



35.D1472737  
LEVER:PRESSURE:SEPARATE



38.D1472752  
SHAFT:SEPARATE:ASSY



29.B8303504  
TIMING BELT - 40S 2M100



20.AF030094  
PAPER FEED ROLLER:PICKUP



32.D1292783  
TORQUE LIMITER MECHANICAL CLUTCH:40MMM:DIA18



13.AA082173  
PLAIN SHAFT BEARING:6X10X6



21.AF031049  
FEED ROLLER



22.AF032049  
SEPARATION ROLLER



16.AA100014 (x2) RETAINING RING C - SEPARATE



4.04583008N (x7) HEXAGON HEAD TAPPING SCREW:3 X8



U001	U002	U003	U004	U005	U006	U007	U008	U009	U010	U011	U012	U013	U014	U015	U016
------	------	------	------	------	------	------	------	------	------	------	------	------	------	------	------

U004\_S004  
PAPER FEED UNIT:NO.1:ASS'Y

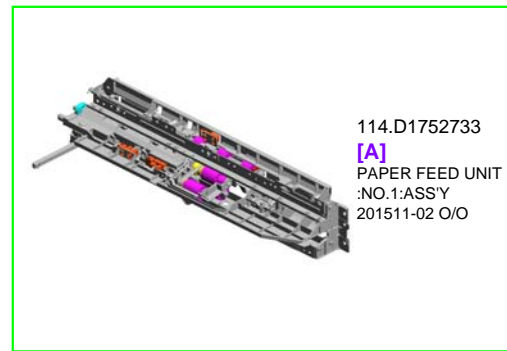
53.D1492772  
ARM:PICKUP

56.D1492775  
SHAFT:FEED:ASS'  
Y

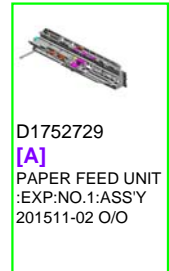
129.08050104  
(x4)  
RETAINING RINGS  
-E:SILENCER:DIA4

42.D1482759  
TRANSPORT ROLL  
ER:VERTICAL TRA  
NSPORT:ASS'Y

127.GW010007  
PHOTO REFLECTI  
ON SENSOR:EXIT



114.D1752733  
[A]  
PAPER FEED UNIT  
:NO.1:ASS'Y  
201511-02 O/O



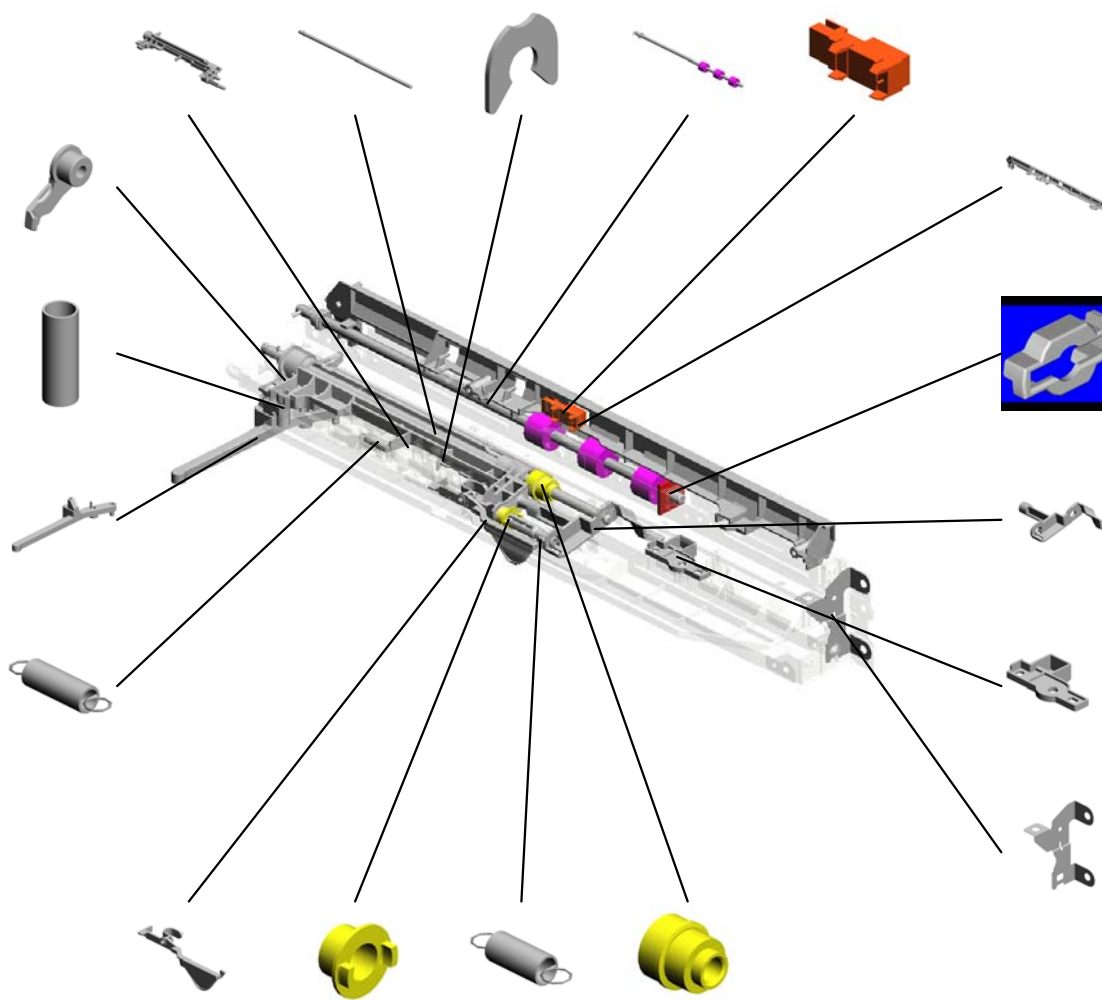
D1752729  
[A]  
PAPER FEED UNIT  
:EXP:NO.1:ASS'Y  
201511-02 O/O

125.G0652767  
LEVER - FEED

57.D1492777  
COIL SPRING:PRE  
SSURE:PICKUP

50.D1492739  
LEVER:PRESSURE  
RELEASE

40.D1472755  
COIL SPRING:REL  
EASE:SEPARATE



51.D1492741  
GUIDE PLATE:VER  
TICAL TRANSPOR  
T:PAPER FEED UN  
IT:NO.1

41.D1482702  
SPACER:TRANSP  
ORT ROLLER

62.D1492791  
GUIDE:FEED

116.D1752784  
GUIDE PLATE:SEN  
SOR:PAPER FEED

59.D1492781  
GROUND PLATE:P  
APER FEED UNIT

58.D1492778  
FEELER:PAPER E  
ND

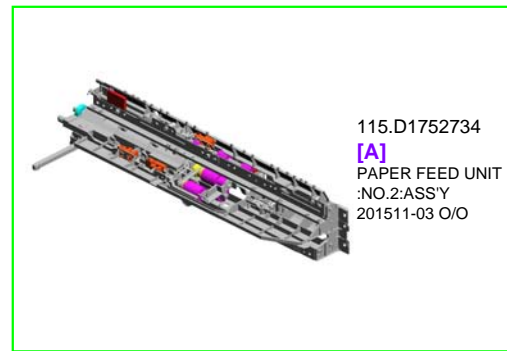
55.D1492774  
PULLEY:IDLER:PIC  
KUP

39.D1472754  
COIL SPRING:PRE  
SSURE:SEPARATE

54.D1492773  
PULLEY:PICKUP:M  
ECHANICAL ROLL  
ER CLUTCH

U001	U002	U003	U004	U005	U006	U007	U008	U009	U010	U011	U012	U013	U014	U015	U016
------	------	------	------	------	------	------	------	------	------	------	------	------	------	------	------

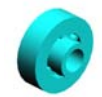
U004\_S005  
PAPER FEED UNIT:NO.2:ASS'Y



115.D1752734  
[A]  
PAPER FEED UNIT  
:NO.2:ASS'Y  
201511-03 O/O

- 33.D1472734 GUIDE PLATE:SEPARATE
- 8.11050758 CLAMP:LWSM-0306A
- 10.52062686 SNAP RING
- 37.D1482751 ARM:PRESSURE:SEPARATE  
201508-03 O/O
- 14.AA082174 PLAIN SHAFT BEARING:6X10X9

31.D0892764 GEAR:FEED



23.AW020203 (x2) PHOTO INTERRUPTOR:GP1A173LCS2F



34.D1472736 BRACKET:SEPARATE:REAR



36.D1472738 LINK:RELEASE



2.04543006Q (x11) TAPPING SCREW - M3X6



35.D1472737 LEVER:PRESSURE:SEPARATE



38.D1472752 SHAFT:SEPARATE:ASSY



29.B8303504 TIMING BELT - 40S2M100



20.AF030094 PAPER FEED ROLLER:PICKUP



32.D1292783 TORQUE LIMITER MECHANICAL CLUTCH:40MMM:DIA18



13.AA082173 PLAIN SHAFT BEARING:6X10X6



21.AF031049 FEED ROLLER



22.AF032049 SEPARATION ROLLER



16.AA100014 (x2) RETAINING RING C - SEPARATE



4.04583008N (x7) HEXAGON HEAD TAPPING SCREW:3X8

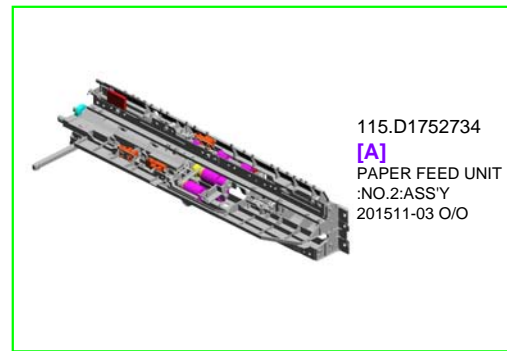


U001	U002	U003	U004	U005	U006	U007	U008	U009	U010	U011	U012	U013	U014	U015	U016
------	------	------	------	------	------	------	------	------	------	------	------	------	------	------	------

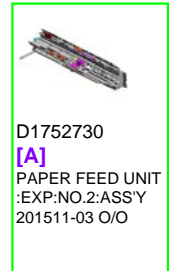


# U004\_S005 PAPER FEED UNIT:NO.2:ASS'Y

113.D1752726 STOPPER:GUIDE PLATE:SWIVEL  
 56.D1492775 SHAFT:FEED:ASS'Y  
 129.08050104 (x4) RETAINING RINGS-E:SILENCER:DIA4  
 42.D1482759 TRANSPORT ROLLER:VERTICAL TRANSPORT:ASS'Y  
 127.GW010007 PHOTO REFLECTOR:ON SENSOR:EXIT



115.D1752734  
 [A]  
 PAPER FEED UNIT  
 :NO.2:ASS'Y  
 201511-03 O/O



D1752730  
 [A]  
 PAPER FEED UNIT  
 :EXP:NO.2:ASS'Y  
 201511-03 O/O

125.G0652767  
 LEVER - FEED

57.D1492777  
 COIL SPRING:PRESSURE:PICKUP

50.D1492739  
 LEVER:PRESSURE RELEASE

40.D1472755  
 COIL SPRING:RELEASE:SEPARATE

53.D1492772  
 ARM:PICKUP

58.D1492778  
 FEELER:PAPER END

55.D1492774  
 PULLEY:IDLER:PICKUP

39.D1472754  
 COIL SPRING:PRESSURE:SEPARATE

54.D1492773  
 PULLEY:PICKUP:MECHANICAL ROLLER CLUTCH

52.D1492742  
 GUIDE PLATE:VERTICAL TRANSPORT:PAPER FEED UNIT:NO.2

41.D1482702  
 SPACER:TRANSPORT ROLLER

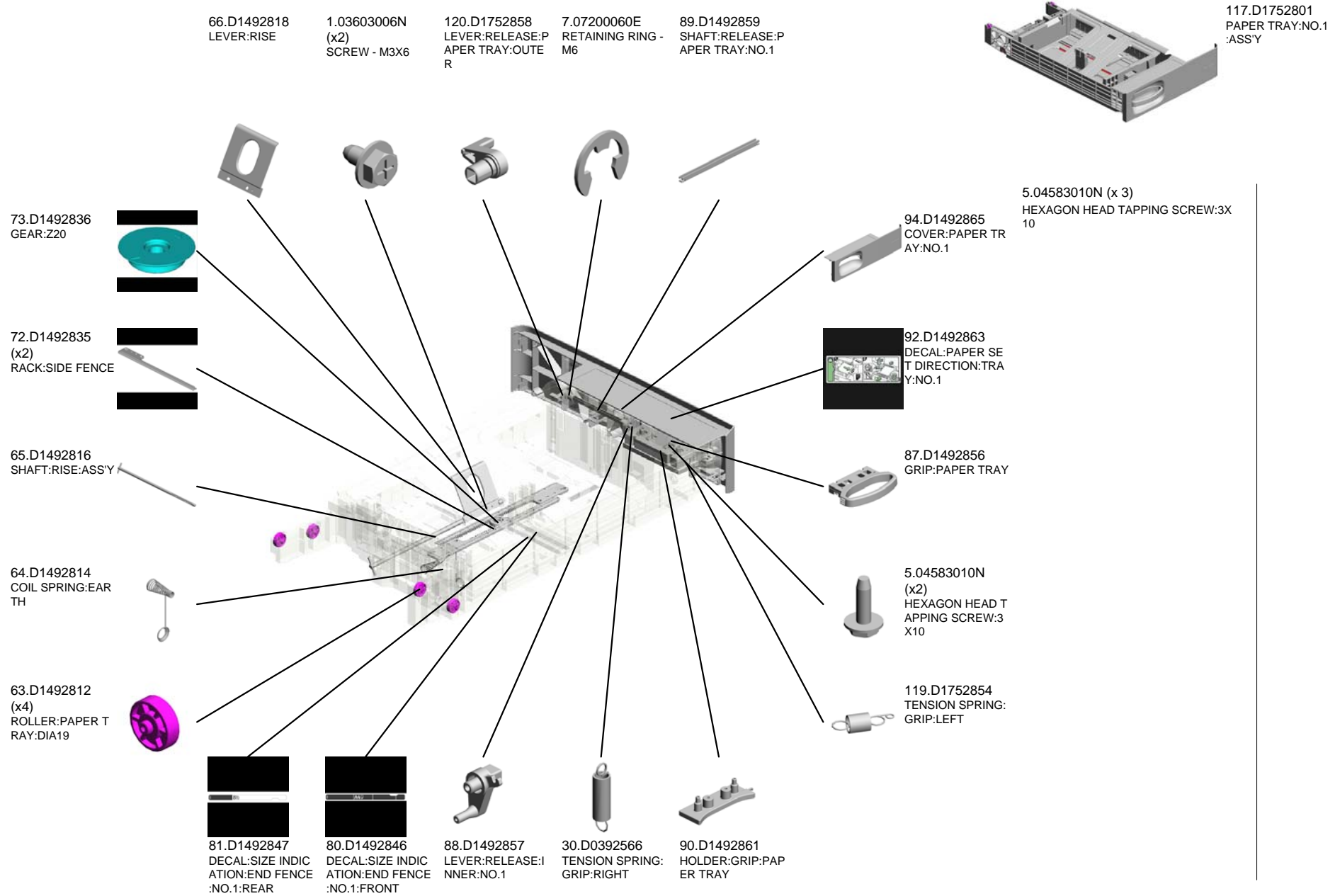
62.D1492791  
 GUIDE:FEED

116.D1752784  
 GUIDE PLATE:SENSOR:PAPER FEED

59.D1492781  
 GROUND PLATE:PAPER FEED UNIT

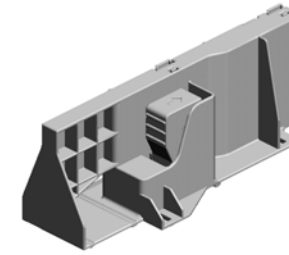
U001	U002	U003	U004	U005	U006	U007	U008	U009	U010	U011	U012	U013	U014	U015	U016
------	------	------	------	------	------	------	------	------	------	------	------	------	------	------	------

U004\_S006  
PAPER TRAY:NO.1:ASS'Y



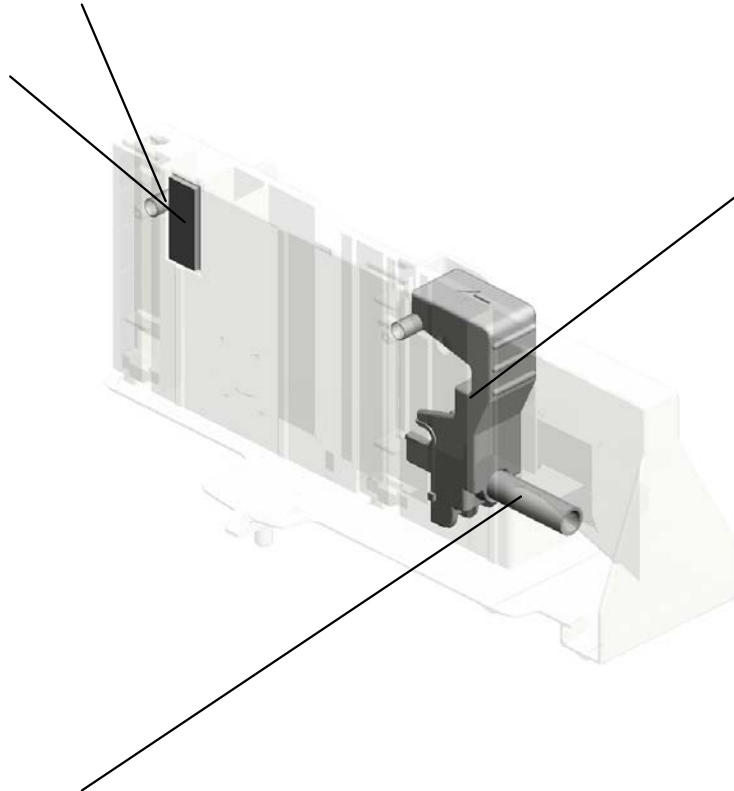
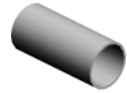
U004\_S006\_S001  
SIDE FENCE:FRONT:NO.1:ASS'Y

68.D1492826  
(x2)  
COMPRESSION SP  
RING:SIDE FENCE:  
PLATE:FRONT



70.D1492828  
SIDE FENCE:FRON  
T:NO.1:ASS'Y

28.B2342864  
PAD:CLEANER



67.D1492824  
LEVER:STOPPER:  
FRONT

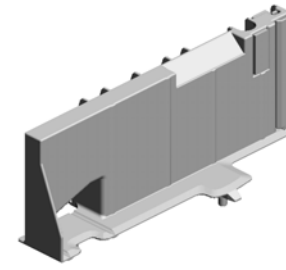


69.D1492827  
COMPRESSION SP  
RING:SIDE FENCE:  
POSITIONING

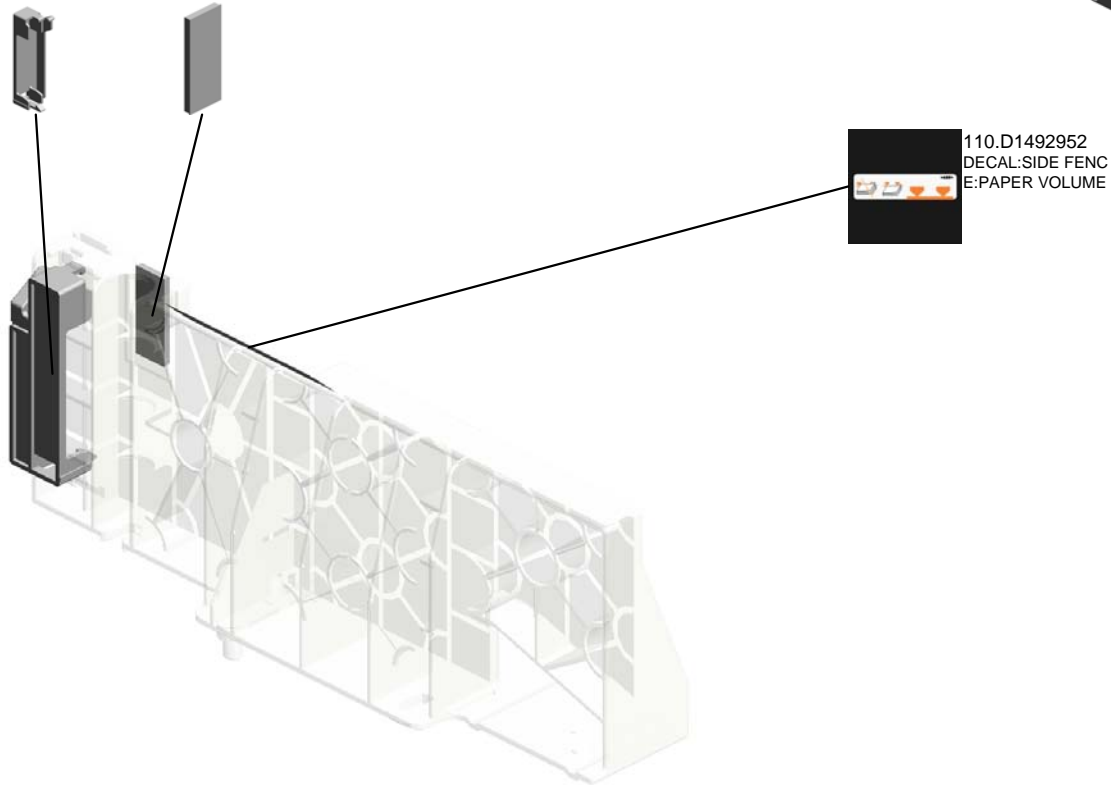
U001	U002	U003	U004	U005	U006	U007	U008	U009	U010	U011	U012	U013	U014	U015	U016
------	------	------	------	------	------	------	------	------	------	------	------	------	------	------	------

U004\_S006\_S002  
SIDE FENCE:REAR:NO.1:ASS'Y

71.D1492834 28.B2342864  
GUIDE:FEELER:PA PAD:CLEANER  
PER END



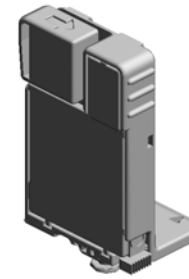
75.D1492838  
SIDE FENCE:REAR  
:NO.1:ASSY



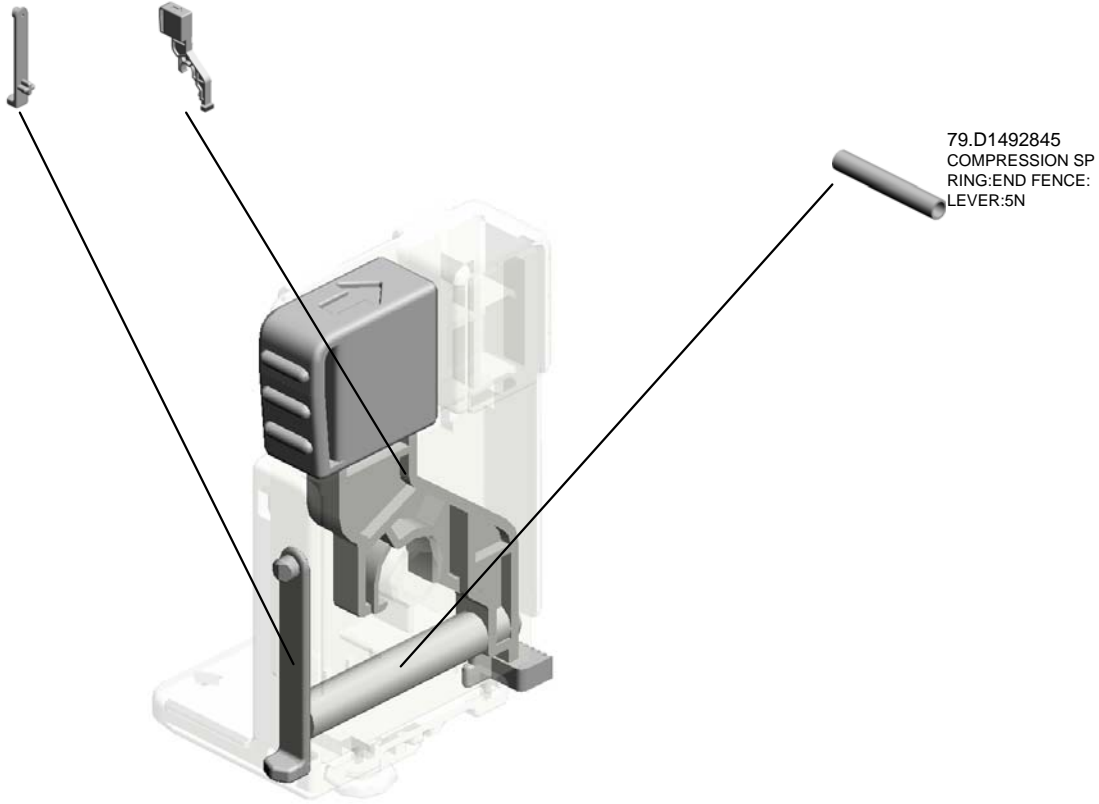
U001	U002	U003	<b>U004</b>	U005	U006	U007	U008	U009	U010	U011	U012	U013	U014	U015	U016
------	------	------	-------------	------	------	------	------	------	------	------	------	------	------	------	------

U004\_S006\_S003  
END FENCE:PAPER TRAY:ASS'Y

78.D1492843    77.D1492842  
CLICK:END FENCE    LEVER:END FENCE



76.D1492840  
END FENCE:PAPE  
R TRAY:ASS'Y

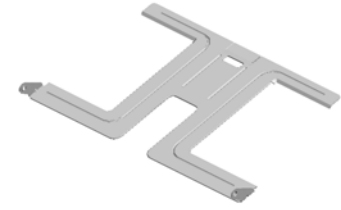


79.D1492845  
COMPRESSION SP  
RING:END FENCE:  
LEVER:5N

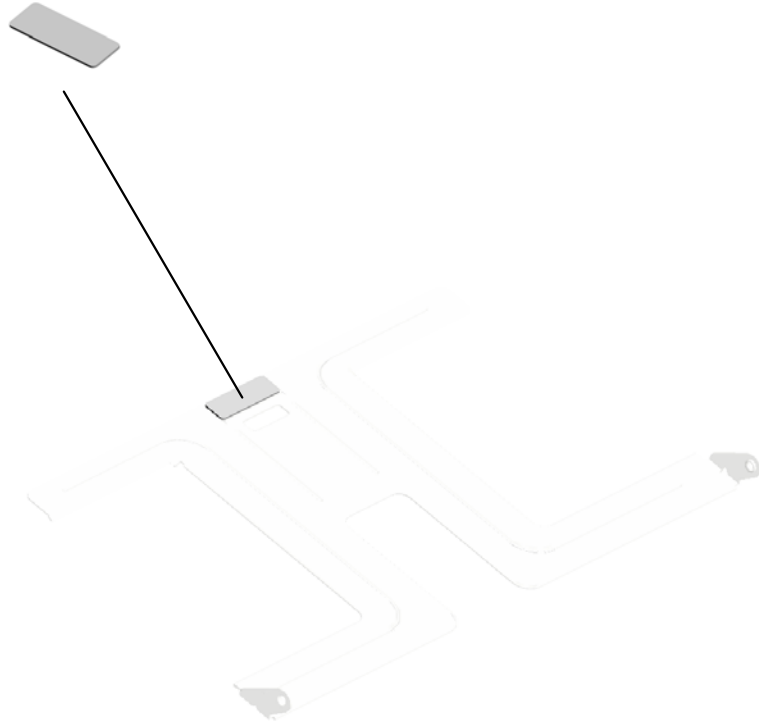
U001	U002	U003	U004	U005	U006	U007	U008	U009	U010	U011	U012	U013	U014	U015	U016
------	------	------	------	------	------	------	------	------	------	------	------	------	------	------	------

U004\_S006\_S004  
TRAY BOTTOM PLATE:ASS'Y

19.AF013006  
BOTTOM PLATE P  
AD



84.D1492850  
TRAY BOTTOM PL  
ATE:ASS'Y



U001	U002	U003	U004	U005	U006	U007	U008	U009	U010	U011	U012	U013	U014	U015	U016
------	------	------	------	------	------	------	------	------	------	------	------	------	------	------	------

U004\_S007  
(-NA):PAPER TRAY:NO.2:ASS'Y

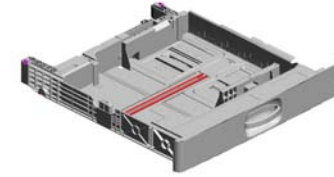
64.D1492814  
COIL SPRING:EAR  
TH

83.D1492849  
DECAL:SIZE INDIC  
ATION:END FENCE  
:NO.2:REAR

82.D1492848  
DECAL:SIZE INDIC  
ATION:END FENCE  
:NO.2:FRONT

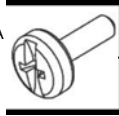
65.D1492816  
SHAFT:RISE:ASS'Y

72.D1492835  
(x2)  
RACK:SIDE FENCE



118.D1752813  
[A]  
(-NA):PAPER TRAY  
:NO.2:ASS'Y  
201409-01 X/O

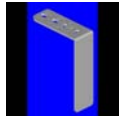
86.D1492854  
SCREW:TYPE 2-KA  
I:M3X10



63.D1492812  
(x4)  
ROLLER:PAPER T  
RAY:DIA19



85.D1492852  
BRACKET:AUXILIA  
RY:SIDE FENCE



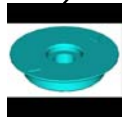
5.04583010N  
(x3)  
HEXAGON HEAD T  
APPING SCREW:3  
X10



74.D1492837  
DECAL:SIDE FENC  
E:AUXILIARY



73.D1492836  
GEAR:Z20



1.03603006N  
(x2)  
SCREW - M3X6



93.D1492864  
DECAL:PAPER SE  
T DIRECTION:TRA  
Y:NO.2



90.D1492861  
HOLDER:GRIP:PAP  
ER TRAY



87.D1492856  
GRIP:PAPER TRAY



66.D1492818  
LEVER:RISE



7.07200060E  
RETAINING RING -  
M6



91.D1492862  
SHAFT:RELEASE:P  
APER TRAY:NO.2



27.B2232862  
LEVER - RELEASE  
INNER



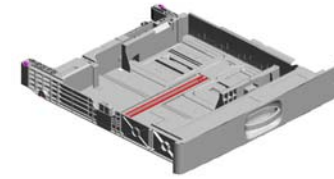
30.D0392566  
TENSION SPRING:  
GRIP:RIGHT



5.04583010N (x 7)  
HEXAGON HEAD TAPPING SCREW:3X10

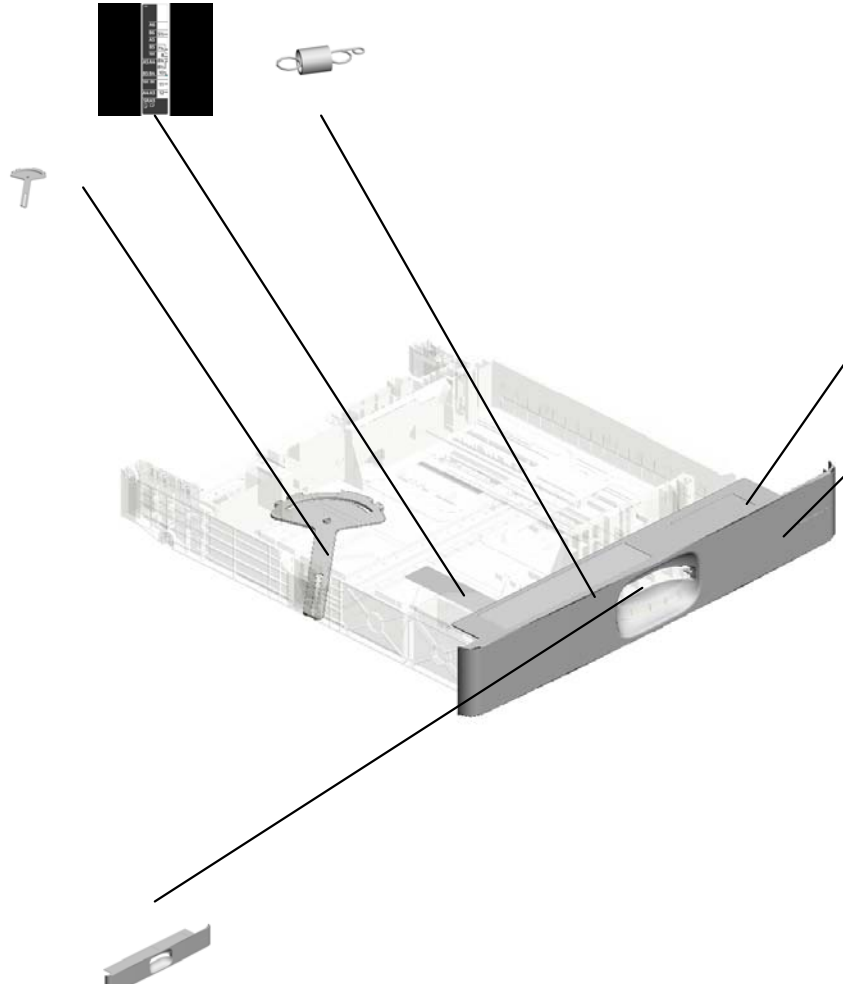
U004\_S007  
 (-NA):PAPER TRAY:NO.2:ASS'Y

96.D1492869 119.D1752854  
 DECAL:SIZE INDIC TENSION SPRING:  
 ATION:SIDE FENC GRIP:LEFT  
 E:NO.2



118.D1752813  
 [A]  
 (-NA):PAPER TRAY  
 :NO.2:ASS'Y  
 201409-01 X/O

121.D1752872  
 LINK:END FENCE:  
 PAPER SIZE SENS  
 OR



120.D1752858  
 LEVER:RELEASE:P  
 APER TRAY:OUTE  
 R

131.D6932867  
 SUPPORTING PLA  
 TE:COVER:FRONT:  
 PAPER TRAY  
 201507-09

95.D1472866  
 COVER:PAPER TR  
 AY:NO.2  
 201507-01 O/O



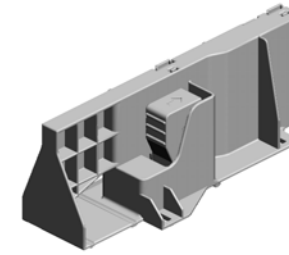
D1752808  
 [A]  
 (-NA):PAPER TRAY  
 :NO.2:ASS'Y  
 201409-01 X/O

U001	U002	U003	U004	U005	U006	U007	U008	U009	U010	U011	U012	U013	U014	U015	U016
------	------	------	------	------	------	------	------	------	------	------	------	------	------	------	------



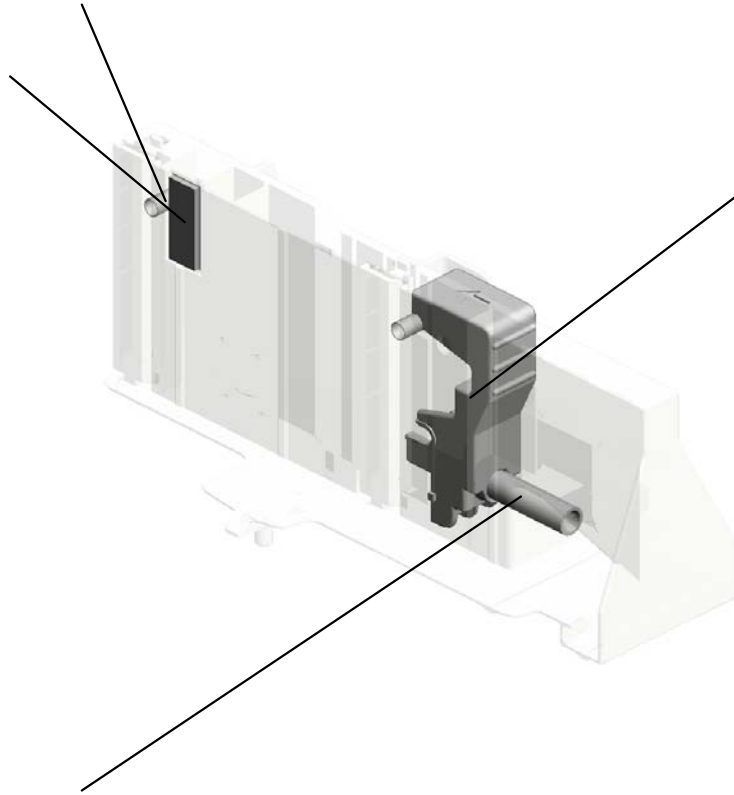
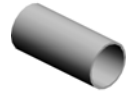
U004\_S007\_S001  
SIDE FENCE:FRONT:ASS'Y

68.D1492826  
(x2)  
COMPRESSION SP  
RING:SIDE FENCE:  
PLATE:FRONT



98.D1492878  
SIDE FENCE:FRON  
T:ASS'Y

28.B2342864  
PAD:CLEANER



67.D1492824  
LEVER:STOPPER:  
FRONT

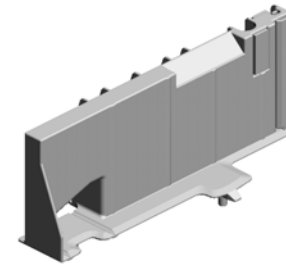


69.D1492827  
COMPRESSION SP  
RING:SIDE FENCE:  
POSITIONING

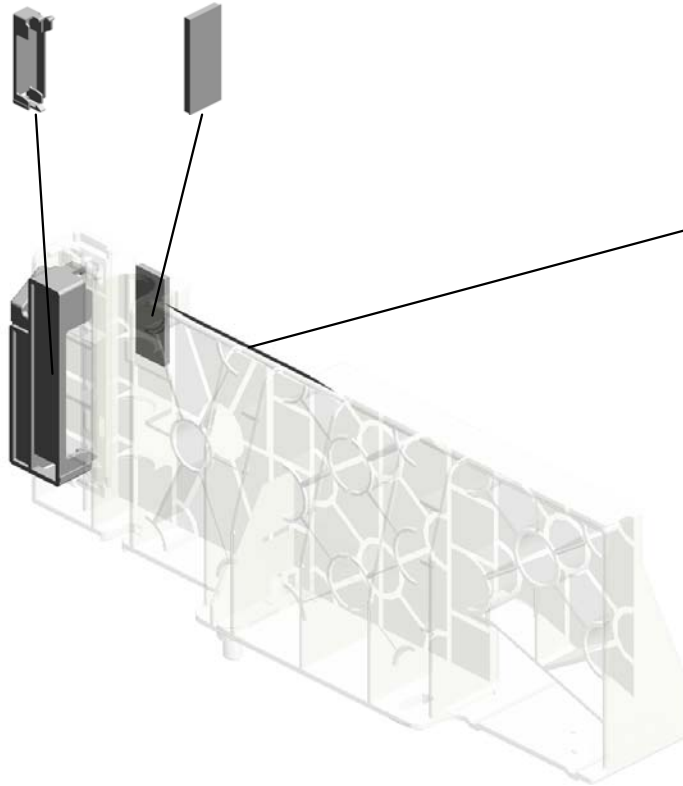
U001	U002	U003	U004	U005	U006	U007	U008	U009	U010	U011	U012	U013	U014	U015	U016
------	------	------	------	------	------	------	------	------	------	------	------	------	------	------	------

U004\_S007\_S002  
SIDE FENCE:REAR:ASS'Y

71.D1492834 28.B2342864  
GUIDE:FEELER:PA PAD:CLEANER  
PER END



99.D1492885  
SIDE FENCE:REAR  
:ASS'Y

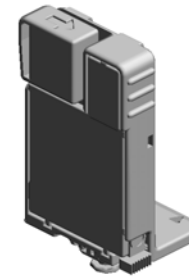


110.D1492952  
DECAL:SIDE FENCE:  
PAPER VOLUME

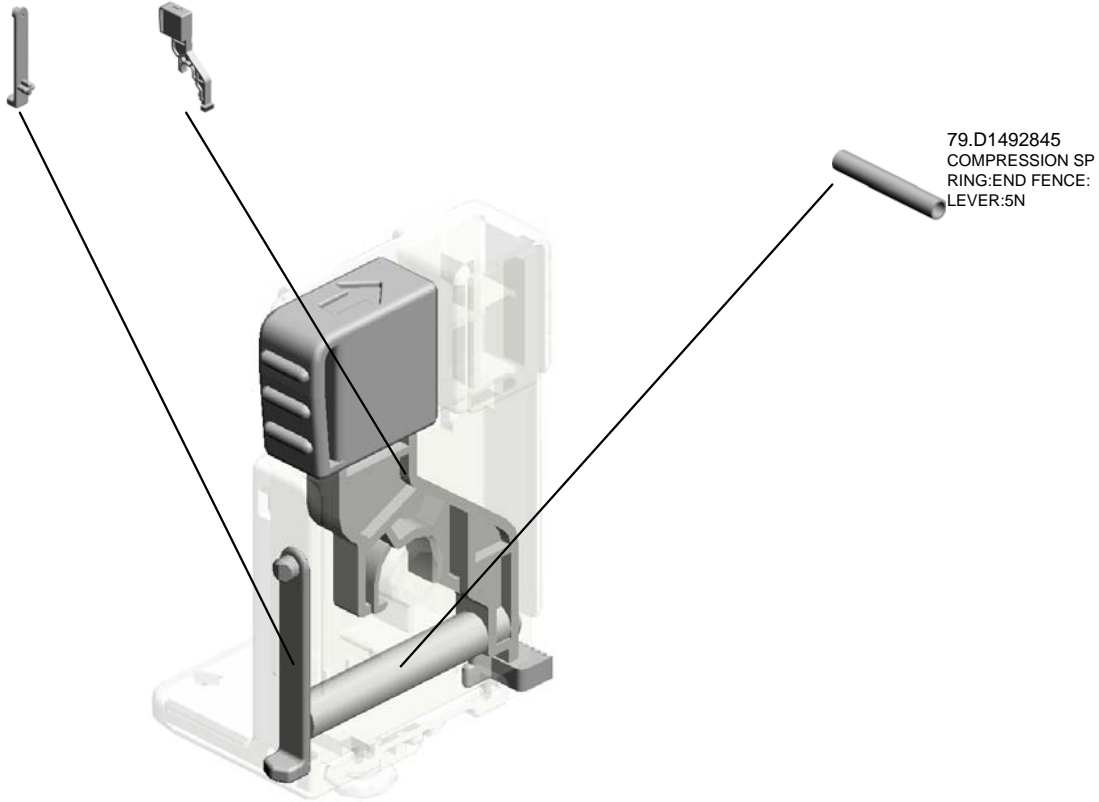
U001	U002	U003	<b>U004</b>	U005	U006	U007	U008	U009	U010	U011	U012	U013	U014	U015	U016
------	------	------	-------------	------	------	------	------	------	------	------	------	------	------	------	------

U004\_S007\_S003  
END FENCE:PAPER TRAY:ASS'Y

78.D1492843    77.D1492842  
CLICK:END FENCE    LEVER:END FENCE



76.D1492840  
END FENCE:PAPE  
R TRAY:ASS'Y



79.D1492845  
COMPRESSION SP  
RING:END FENCE:  
LEVER:5N

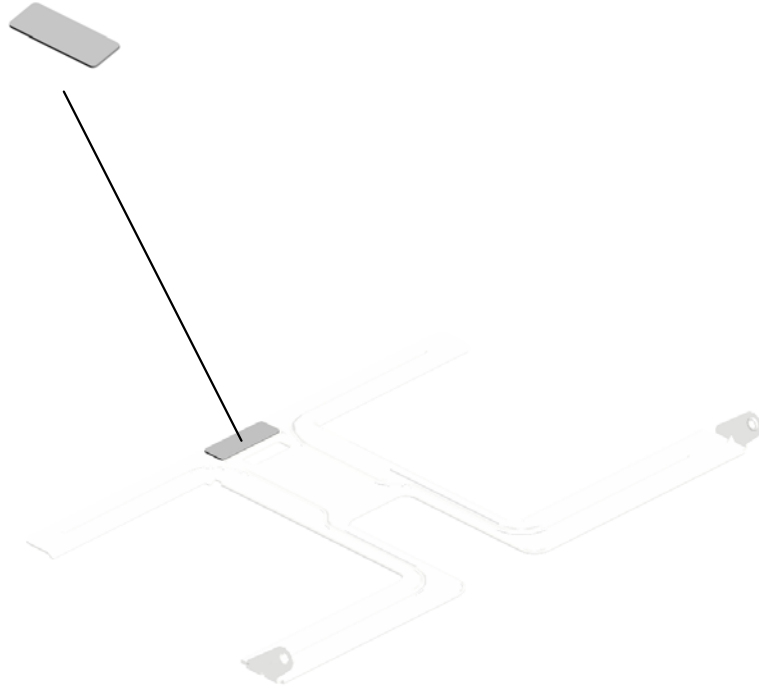
U001	U002	U003	U004	U005	U006	U007	U008	U009	U010	U011	U012	U013	U014	U015	U016
------	------	------	------	------	------	------	------	------	------	------	------	------	------	------	------

U004\_S007\_S004  
TRAY BOTTOM PLATE:NO.2:ASS'Y

19.AF013006  
BOTTOM PLATE P  
AD



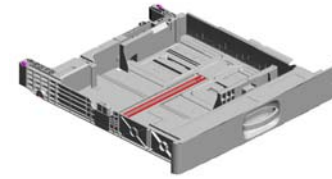
97.D1492873  
TRAY BOTTOM PL  
ATE:NO.2:ASS'Y



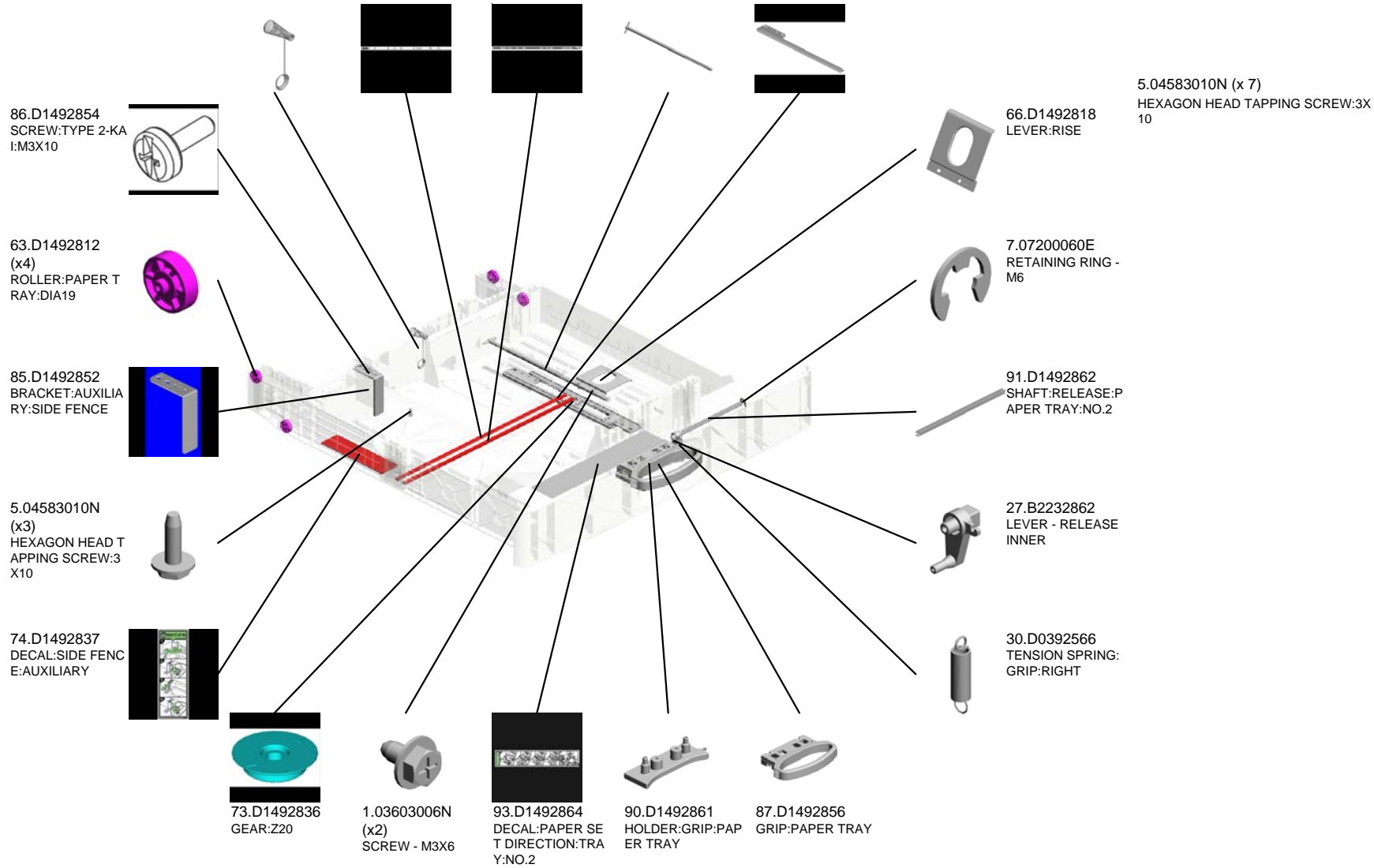
U001	U002	U003	U004	U005	U006	U007	U008	U009	U010	U011	U012	U013	U014	U015	U016
------	------	------	------	------	------	------	------	------	------	------	------	------	------	------	------

U004\_S008  
 (-EU,-AA,-CHN,-TWN):PAPER TRAY:NO.2:ASS'Y

- 64.D1492814 COIL SPRING:EAR TH
- 83.D1492849 DECAL:SIZE INDICATION:END FENCE:NO.2:REAR
- 82.D1492848 DECAL:SIZE INDICATION:END FENCE:NO.2:FRONT
- 65.D1492816 SHAFT:RISE:ASSY
- 72.D1492835 (x2) RACK:SIDE FENCE



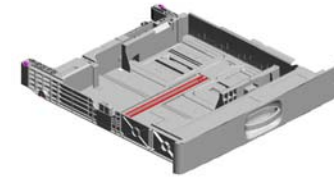
124.D1752812  
 [A]  
 (-EU,-AA,-CHN,-TWN):PAPER TRAY:NO.2:ASS'Y  
 201410-01 X/O



U001	U002	U003	U004	U005	U006	U007	U008	U009	U010	U011	U012	U013	U014	U015	U016
------	------	------	------	------	------	------	------	------	------	------	------	------	------	------	------

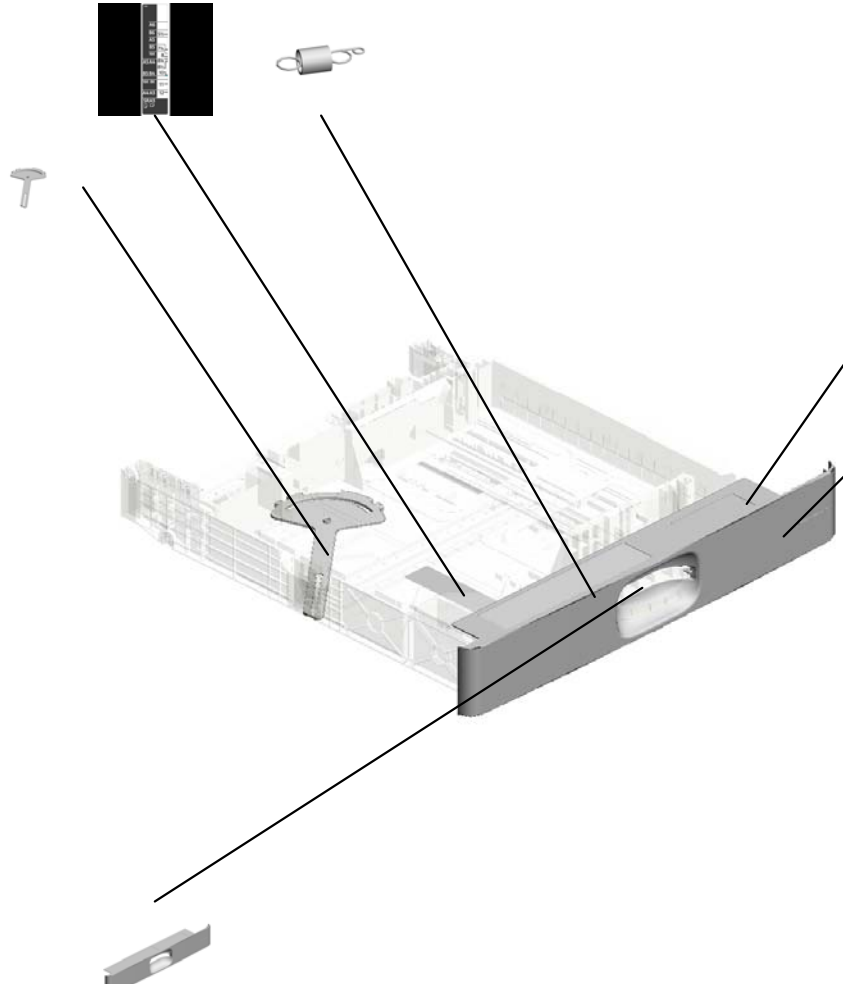
U004\_S008  
 (-EU,-AA,-CHN,-TWN):PAPER TRAY:NO.2:ASS'Y

96.D1492869 119.D1752854  
 DECAL:SIZE INDIC TENSION SPRING:  
 ATION:SIDE FENC GRIP:LEFT  
 E:NO.2



124.D1752812  
 [A]  
 (-EU,-AA,-CHN,-TW  
 N):PAPER TRAY:N  
 O.2:ASS'Y  
 201410-01 X/O

121.D1752872  
 LINK:END FENCE:  
 PAPER SIZE SENS  
 OR



120.D1752858  
 LEVER:RELEASE:P  
 APER TRAY:OUTE  
 R

131.D6932867  
 SUPPORTING PLA  
 TE:COVER:FRONT:  
 PAPER TRAY  
 201507-09

95.D1472866  
 COVER:PAPER TR  
 AY:NO.2  
 201507-01 O/O

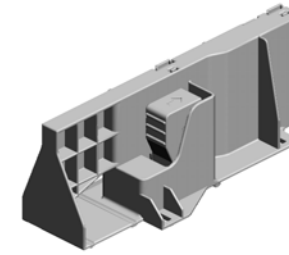


D1752894  
 [A]  
 (-EU,-AA,-CHN,-TW  
 N):PAPER TRAY:N  
 O.2:ASS'Y  
 201410-01 X/O

U001	U002	U003	U004	U005	U006	U007	U008	U009	U010	U011	U012	U013	U014	U015	U016
------	------	------	------	------	------	------	------	------	------	------	------	------	------	------	------

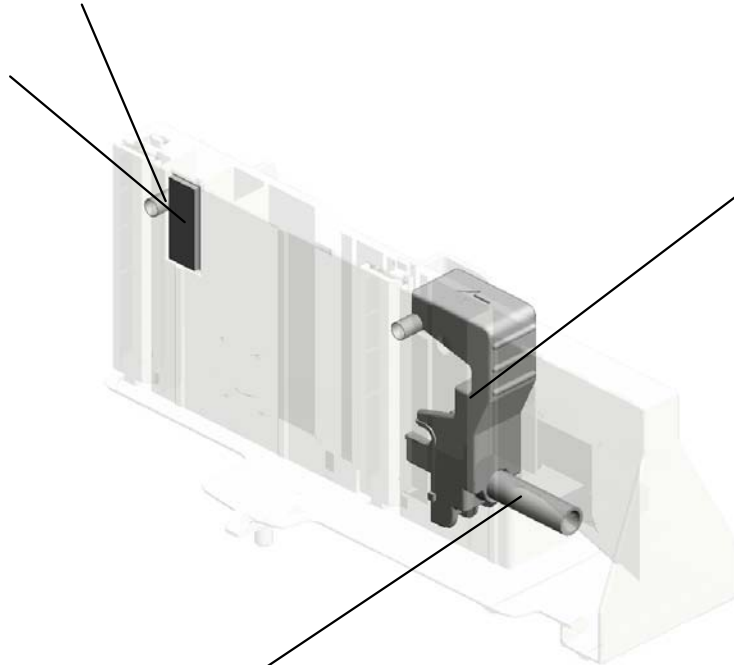
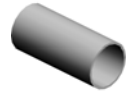
U004\_S008\_S001  
SIDE FENCE:FRONT:ASS'Y

68.D1492826  
(x2)  
COMPRESSION SP  
RING:SIDE FENCE:  
PLATE:FRONT



98.D1492878  
SIDE FENCE:FRON  
T:ASS'Y

28.B2342864  
PAD:CLEANER



67.D1492824  
LEVER:STOPPER:  
FRONT

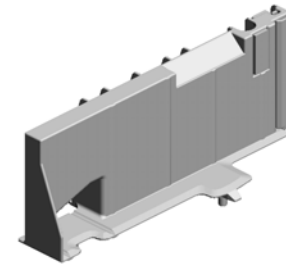


69.D1492827  
COMPRESSION SP  
RING:SIDE FENCE:  
POSITIONING

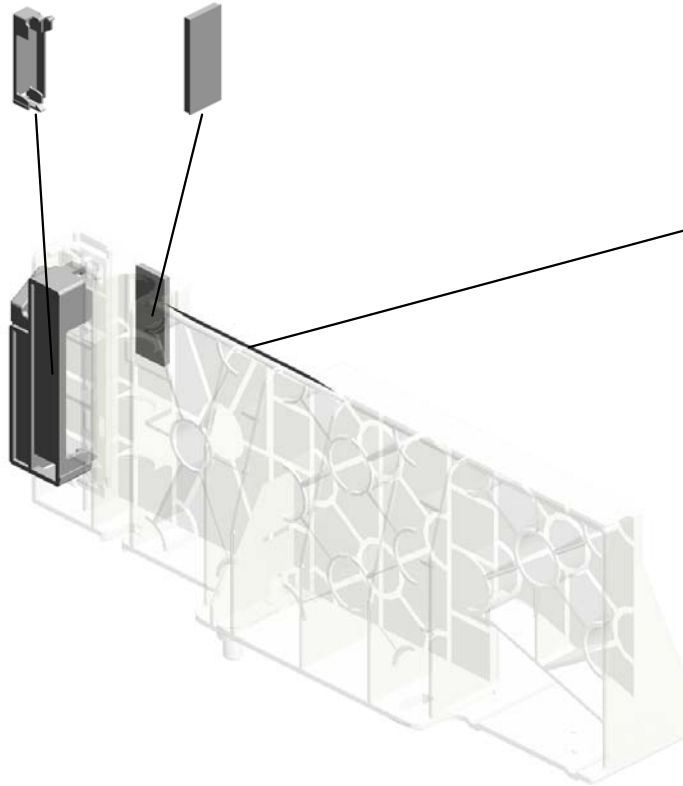
U001	U002	U003	U004	U005	U006	U007	U008	U009	U010	U011	U012	U013	U014	U015	U016
------	------	------	------	------	------	------	------	------	------	------	------	------	------	------	------

U004\_S008\_S002  
SIDE FENCE:REAR:ASS'Y

71.D1492834 28.B2342864  
GUIDE:FEELER:PA PAD:CLEANER  
PER END



99.D1492885  
SIDE FENCE:REAR  
:ASS'Y



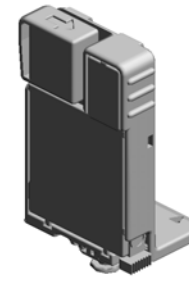
110.D1492952  
DECAL:SIDE FENC  
E:PAPER VOLUME

U001	U002	U003	<b>U004</b>	U005	U006	U007	U008	U009	U010	U011	U012	U013	U014	U015	U016
------	------	------	-------------	------	------	------	------	------	------	------	------	------	------	------	------

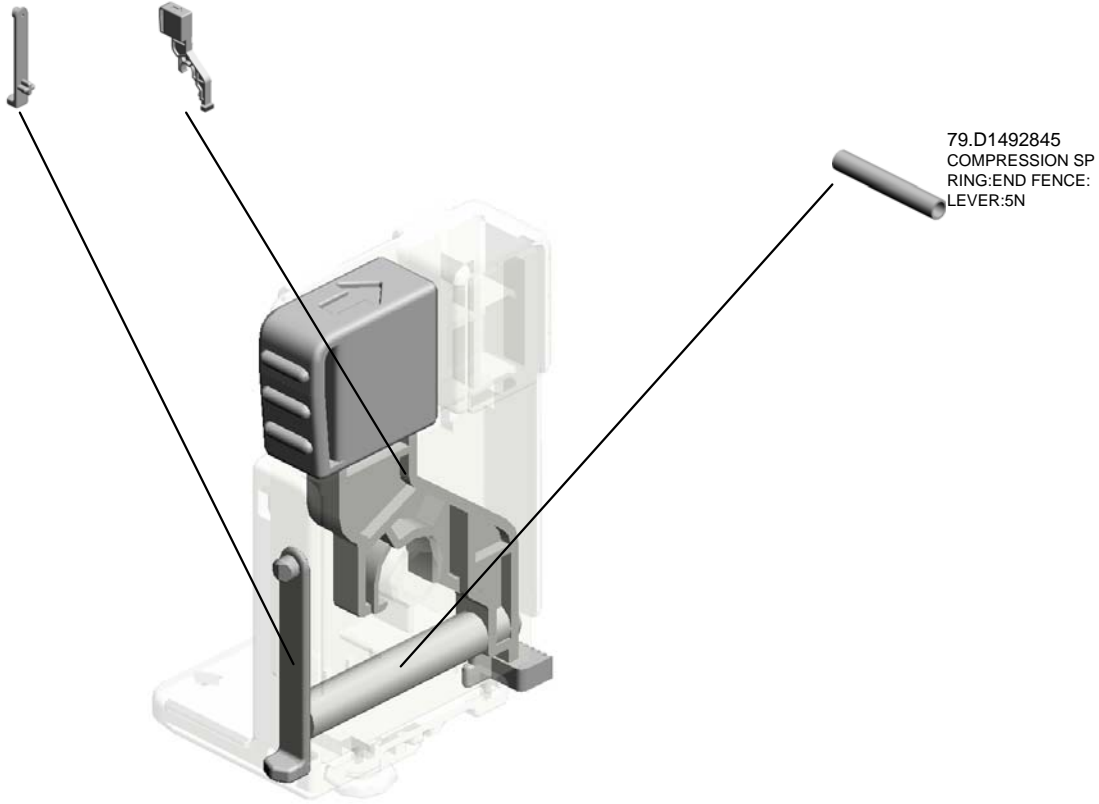


U004\_S008\_S003  
END FENCE:PAPER TRAY:ASS'Y

78.D1492843    77.D1492842  
CLICK:END FENCE    LEVER:END FENCE



76.D1492840  
END FENCE:PAPE  
R TRAY:ASS'Y



79.D1492845  
COMPRESSION SP  
RING:END FENCE:  
LEVER:5N

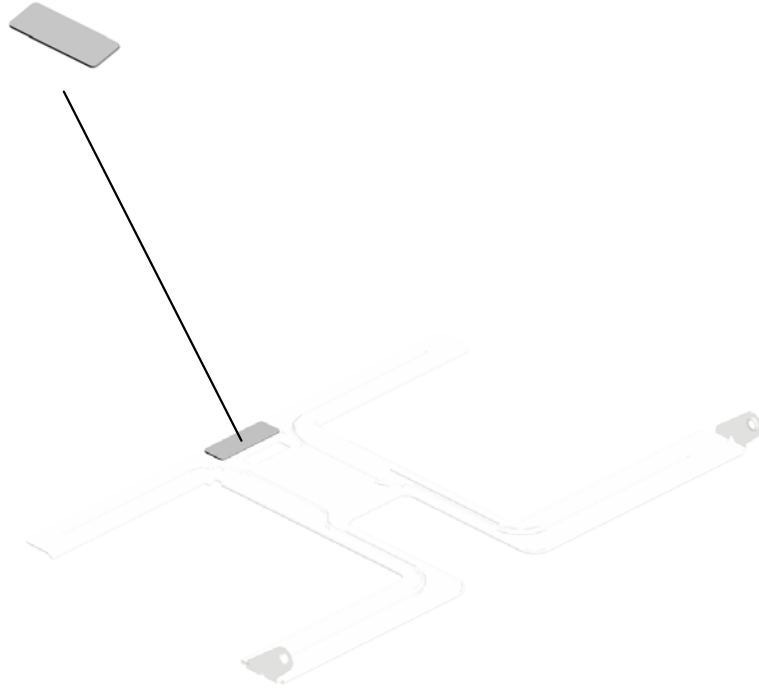
U001	U002	U003	U004	U005	U006	U007	U008	U009	U010	U011	U012	U013	U014	U015	U016
------	------	------	------	------	------	------	------	------	------	------	------	------	------	------	------

U004\_S008\_S004  
TRAY BOTTOM PLATE:NO.2:ASS'Y

19.AF013006  
BOTTOM PLATE P  
AD



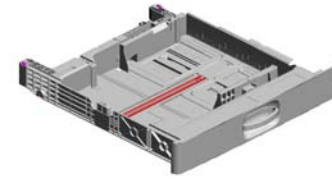
97.D1492873  
TRAY BOTTOM PL  
ATE:NO.2:ASS'Y



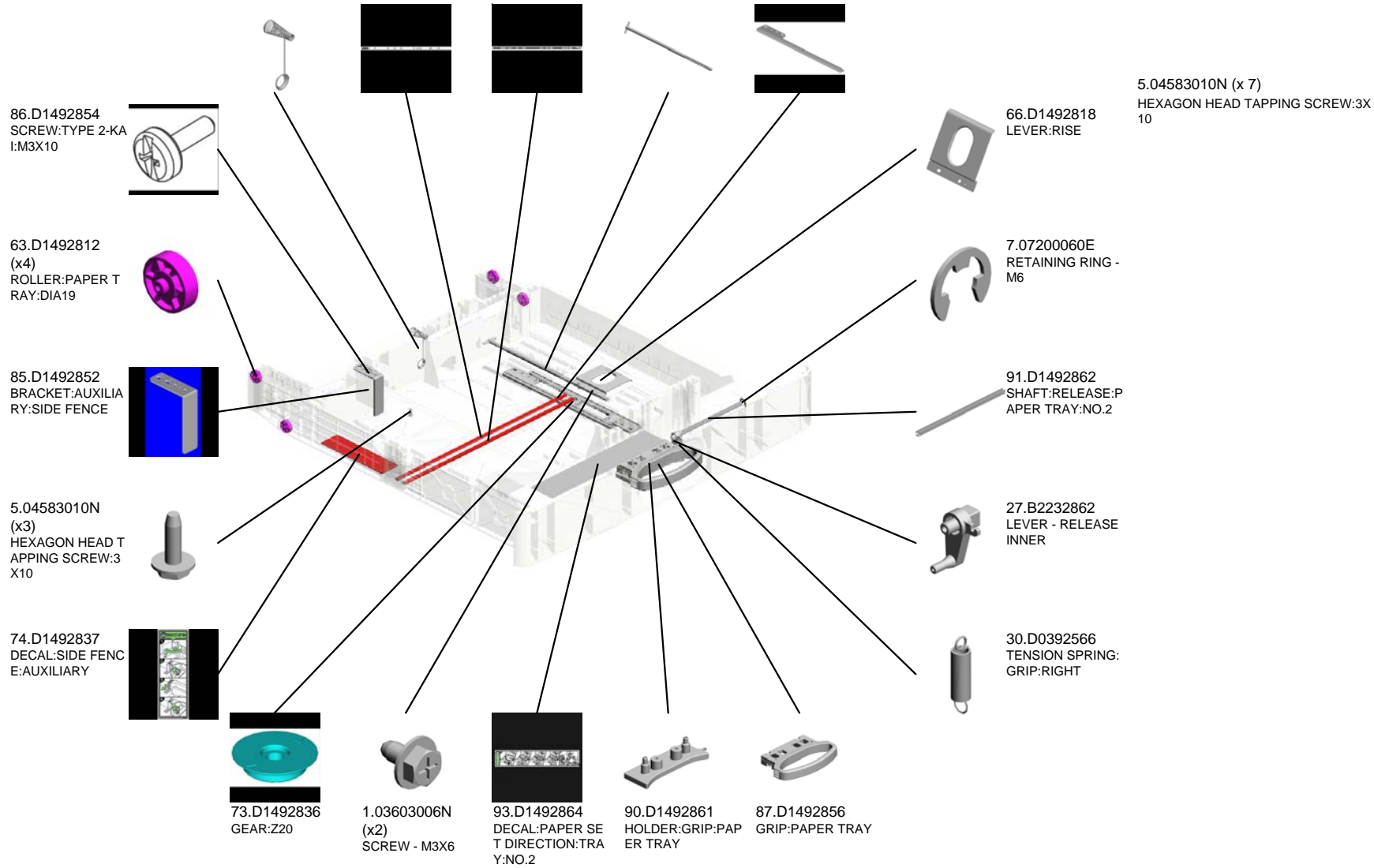
U001	U002	U003	U004	U005	U006	U007	U008	U009	U010	U011	U012	U013	U014	U015	U016
------	------	------	------	------	------	------	------	------	------	------	------	------	------	------	------

U004\_S009  
 (-EU,-AA,-CHN,-TWN):PAPER TRAY:NO.2:ASS'Y

- 64.D1492814 COIL SPRING:EAR TH
- 83.D1492849 DECAL:SIZE INDICATION:END FENCE:NO.2:REAR
- 82.D1492848 DECAL:SIZE INDICATION:END FENCE:NO.2:FRONT
- 65.D1492816 SHAFT:RISE:ASS'Y
- 72.D1492835 (x2) RACK:SIDE FENCE



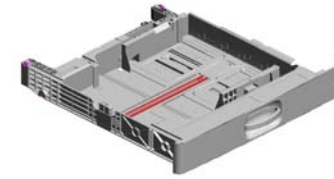
124.D1752812  
 [A]  
 (-EU,-AA,-CHN,-TWN):PAPER TRAY:NO.2:ASS'Y  
 201410-01 X/O



U001	U002	U003	U004	U005	U006	U007	U008	U009	U010	U011	U012	U013	U014	U015	U016
------	------	------	------	------	------	------	------	------	------	------	------	------	------	------	------

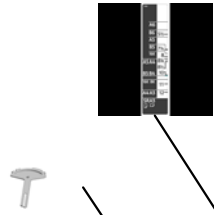
U004\_S009  
 (-EU,-AA,-CHN,-TWN):PAPER TRAY:NO.2:ASS'Y

96.D1492869 119.D1752854  
 DECAL:SIZE INDIC TENSION SPRING:  
 ATION:SIDE FENC GRIP:LEFT  
 E:NO.2



124.D1752812  
 [A]  
 (-EU,-AA,-CHN,-TW  
 N):PAPER TRAY:N  
 O.2:ASS'Y  
 201410-01 X/O

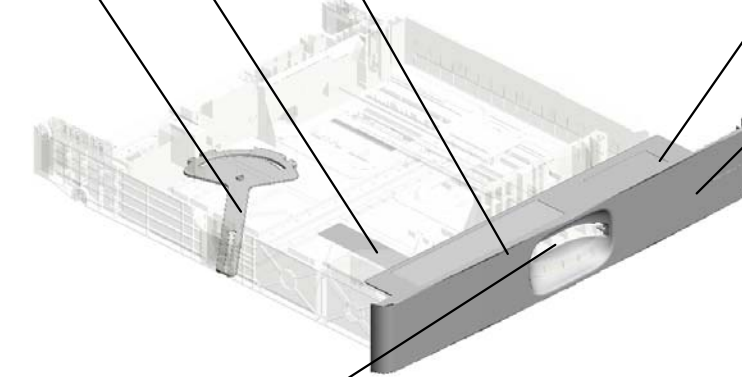
121.D1752872  
 LINK:END FENCE:  
 PAPER SIZE SENS  
 OR



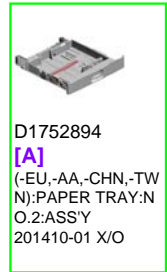
120.D1752858  
 LEVER:RELEASE:P  
 APER TRAY:OUTE  
 R



131.D6932867  
 SUPPORTING PLA  
 TE:COVER:FRONT:  
 PAPER TRAY  
 201507-09



95.D1472866  
 COVER:PAPER TR  
 AY:NO.2  
 201507-01 O/O

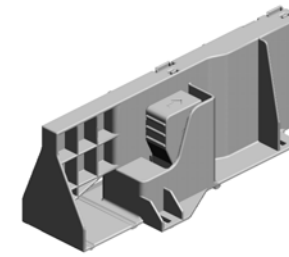


D1752894  
 [A]  
 (-EU,-AA,-CHN,-TW  
 N):PAPER TRAY:N  
 O.2:ASS'Y  
 201410-01 X/O

U001	U002	U003	U004	U005	U006	U007	U008	U009	U010	U011	U012	U013	U014	U015	U016
------	------	------	------	------	------	------	------	------	------	------	------	------	------	------	------

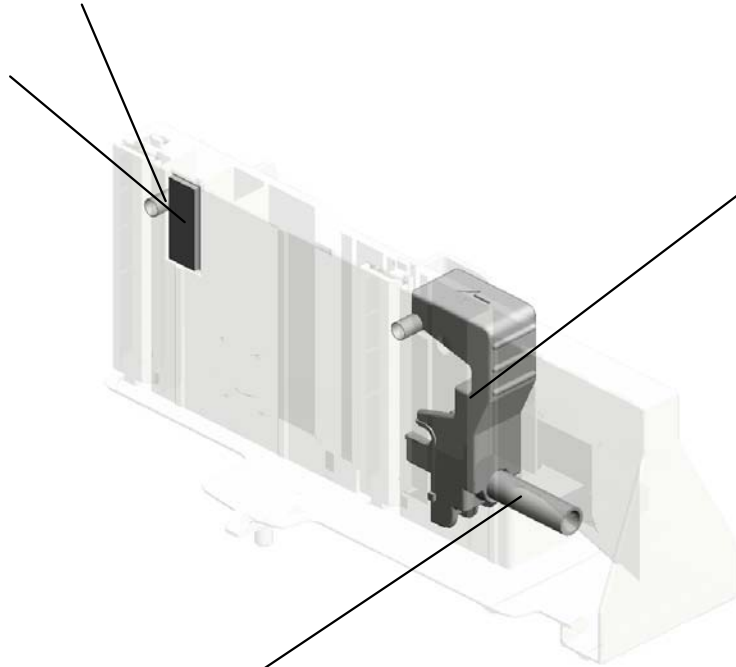
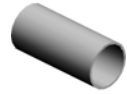
U004\_S009\_S001  
SIDE FENCE:FRONT:ASS'Y

68.D1492826  
(x2)  
COMPRESSION SP  
RING:SIDE FENCE:  
PLATE:FRONT



98.D1492878  
SIDE FENCE:FRON  
T:ASS'Y

28.B2342864  
PAD:CLEANER



67.D1492824  
LEVER:STOPPER:  
FRONT

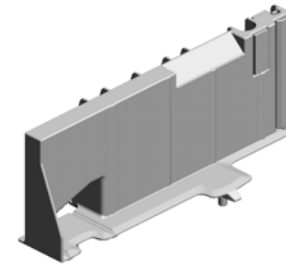


69.D1492827  
COMPRESSION SP  
RING:SIDE FENCE:  
POSITIONING

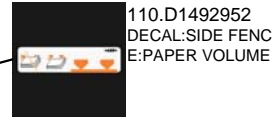
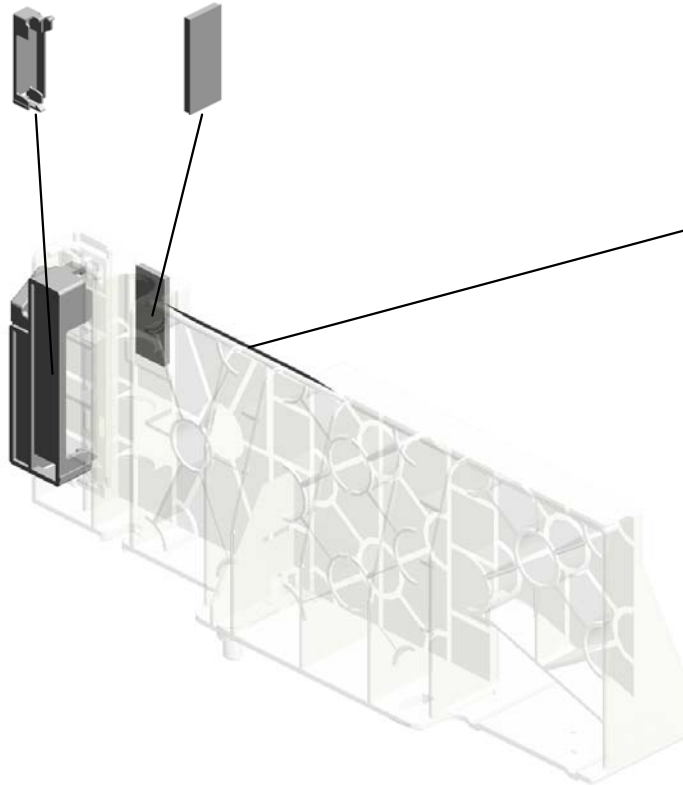
U001	U002	U003	U004	U005	U006	U007	U008	U009	U010	U011	U012	U013	U014	U015	U016
------	------	------	------	------	------	------	------	------	------	------	------	------	------	------	------

U004\_S009\_S002  
SIDE FENCE:REAR:ASS'Y

71.D1492834 28.B2342864  
GUIDE:FEELER:PA PAD:CLEANER  
PER END



99.D1492885  
SIDE FENCE:REAR  
:ASS'Y

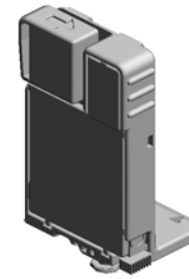


110.D1492952  
DECAL:SIDE FENC  
E:PAPER VOLUME

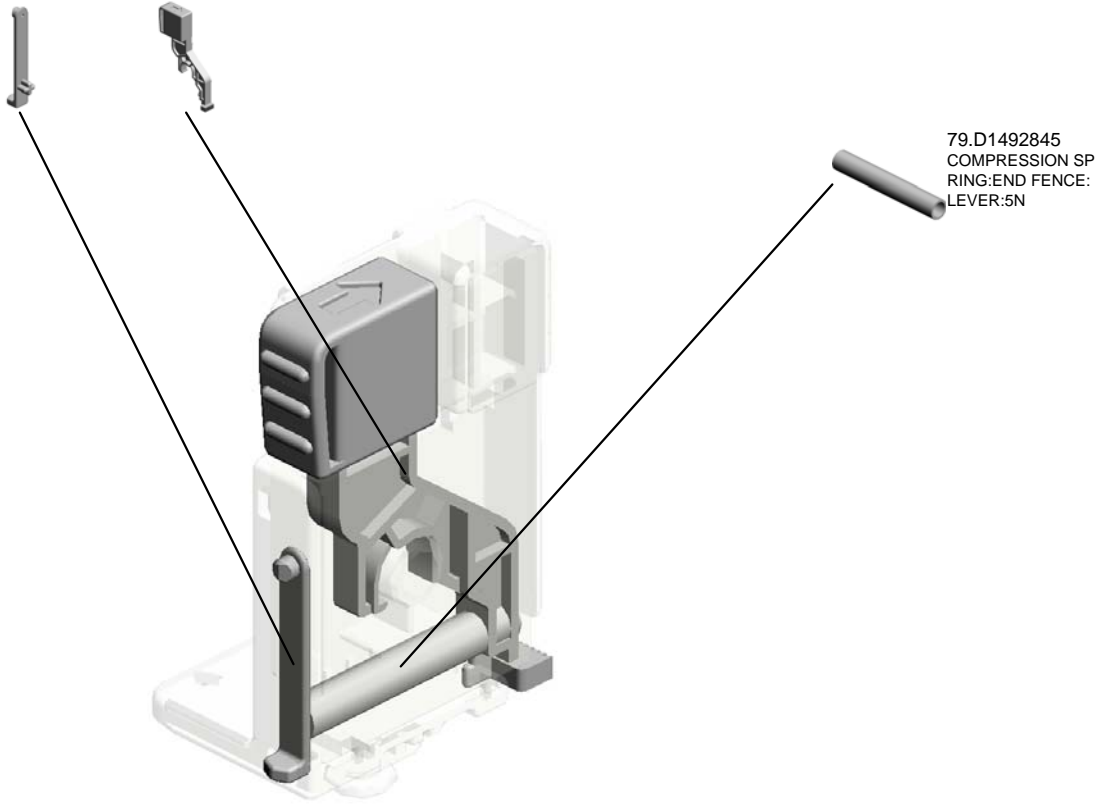
U001	U002	U003	<b>U004</b>	U005	U006	U007	U008	U009	U010	U011	U012	U013	U014	U015	U016
------	------	------	-------------	------	------	------	------	------	------	------	------	------	------	------	------

U004\_S009\_S003  
END FENCE:PAPER TRAY:ASS'Y

78.D1492843    77.D1492842  
CLICK:END FENCE    LEVER:END FENCE



76.D1492840  
END FENCE:PAPE  
R TRAY:ASS'Y



79.D1492845  
COMPRESSION SP  
RING:END FENCE:  
LEVER:5N

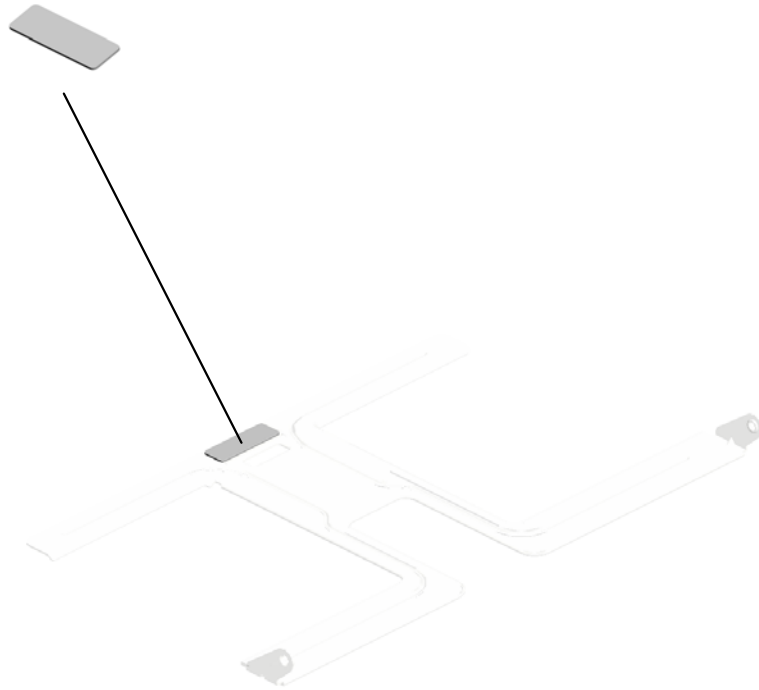
U001	U002	U003	U004	U005	U006	U007	U008	U009	U010	U011	U012	U013	U014	U015	U016
------	------	------	------	------	------	------	------	------	------	------	------	------	------	------	------

U004\_S009\_S004  
TRAY BOTTOM PLATE:NO.2:ASS'Y

19.AF013006  
BOTTOM PLATE P  
AD



97.D1492873  
TRAY BOTTOM PL  
ATE:NO.2:ASS'Y



U001	U002	U003	U004	U005	U006	U007	U008	U009	U010	U011	U012	U013	U014	U015	U016
------	------	------	------	------	------	------	------	------	------	------	------	------	------	------	------



U004\_S010  
 (-EU,-AA,-CHN,-TWN):PAPER TRAY:NO.2:ASS'Y

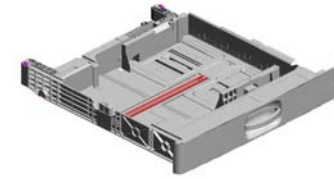
1.03603006N  
 (x2)  
 SCREW - M3X6

7.07200060E  
 RETAINING RING -  
 M6

91.D1492862  
 SHAFT:RELEASE:PA  
 PAPER TRAY:NO.2

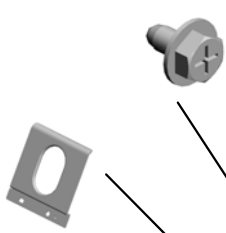
27.B2232862  
 LEVER - RELEASE  
 INNER

30.D0392566  
 TENSION SPRING:  
 GRIP:RIGHT

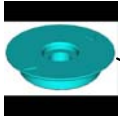


124.D1752894  
 (-EU,-AA,-CHN,-TW  
 N):PAPER TRAY:NO  
 2:ASSY

66.D1492818  
 LEVER:RISE



73.D1492836  
 GEAR:Z20



72.D1492835  
 (x2)  
 RACK:SIDE FENCE



65.D1492816  
 SHAFT:RISE:ASS'Y



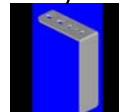
64.D1492814  
 COIL SPRING:EAR  
 TH



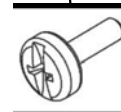
5.04583010N  
 (x3)  
 HEXAGON HEAD T  
 APPING SCREW:3  
 X10



85.D1492852  
 BRACKET:AUXILIA  
 RY:SIDE FENCE



86.D1492854  
 SCREW:TYPE 2-KA  
 I:M3X10



63.D1492812  
 (x4)  
 ROLLER:PAPER T  
 RAY:DIA19



74.D1492837  
 DECAL:SIDE FENC  
 E:AUXILIARY



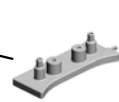
87.D1492856  
 GRIP:PAPER TRAY



93.D1492864  
 DECAL:PAPER SE  
 T DIRECTION:TRA  
 Y:NO.2



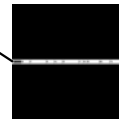
90.D1492861  
 HOLDER:GRIP:PAP  
 ER TRAY



82.D1492848  
 DECAL:SIZE INDIC  
 ATION:END FENCE  
 :NO.2:FRONT



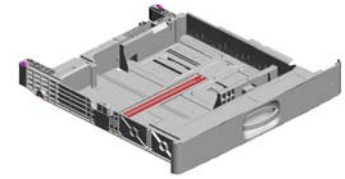
83.D1492849  
 DECAL:SIZE INDIC  
 ATION:END FENCE  
 :NO.2:REAR



5.04583010N (x 7)  
 HEXAGON HEAD TAPPING SCREW:3X  
 10

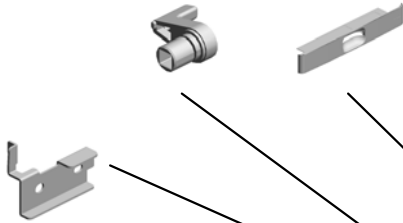
U004\_S010  
 (-EU,-AA,-CHN,-TWN):PAPER TRAY:NO.2:ASS'Y

120.D1752858 95.D1472866  
 LEVER:RELEASE:P COVER:PAPER TR  
 APER TRAY:OUTE AY:NO.2  
 R 201507-01 O/O



124.D1752894  
 (-EU,-AA,-CHN,-TW  
 N);PAPER TRAY:N  
 O.2:ASSY

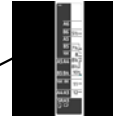
131.D6932867  
 SUPPORTING PLA  
 TE:COVER:FRONT:  
 PAPER TRAY  
 201507-09



119.D1752854  
 TENSION SPRING:  
 GRIP:LEFT



96.D1492869  
 DECAL:SIZE INDIC  
 ATION:SIDE FENC  
 E:NO.2



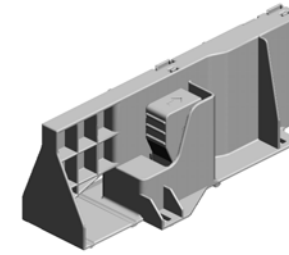
121.D1752872  
 LINK:END FENCE:  
 PAPER SIZE SENS  
 OR



U001	U002	U003	U004	U005	U006	U007	U008	U009	U010	U011	U012	U013	U014	U015	U016
------	------	------	------	------	------	------	------	------	------	------	------	------	------	------	------

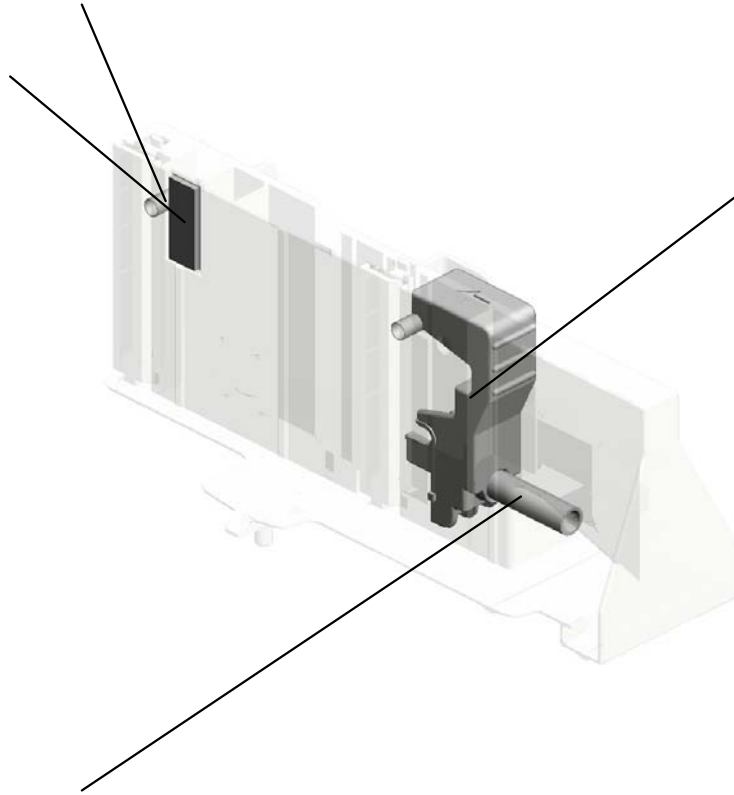
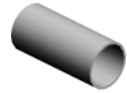
U004\_S010\_S001  
SIDE FENCE:FRONT:ASS'Y

68.D1492826  
(x2)  
COMPRESSION SP  
RING:SIDE FENCE:  
PLATE:FRONT



98.D1492878  
SIDE FENCE:FRON  
T:ASS'Y

28.B2342864  
PAD:CLEANER



67.D1492824  
LEVER:STOPPER:  
FRONT

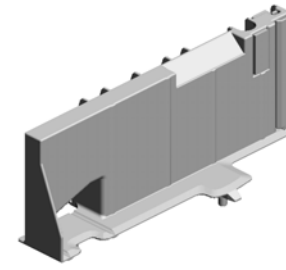


69.D1492827  
COMPRESSION SP  
RING:SIDE FENCE:  
POSITIONING

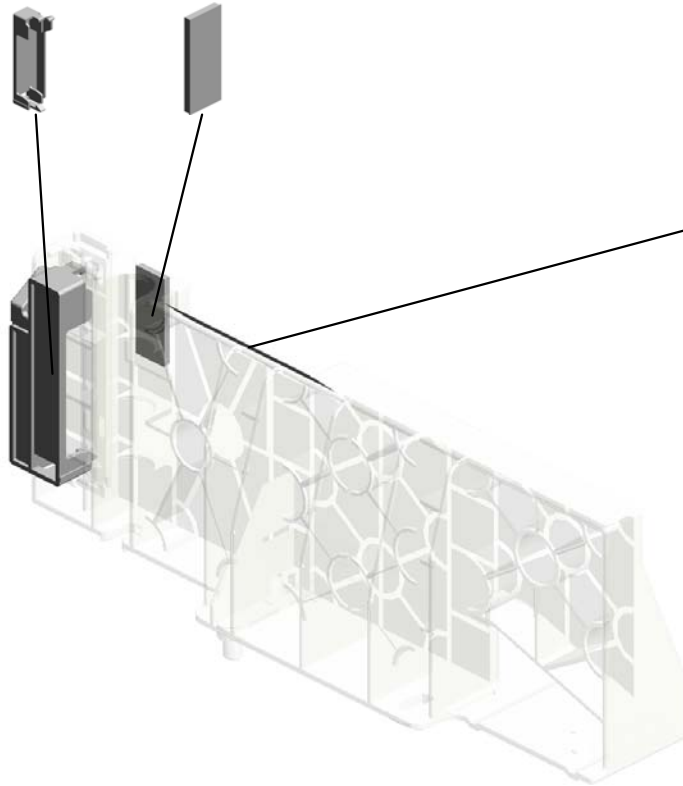
U001	U002	U003	U004	U005	U006	U007	U008	U009	U010	U011	U012	U013	U014	U015	U016
------	------	------	------	------	------	------	------	------	------	------	------	------	------	------	------

U004\_S010\_S002  
SIDE FENCE:REAR:ASS'Y

71.D1492834 28.B2342864  
GUIDE:FEELER:PA PAD:CLEANER  
PER END



99.D1492885  
SIDE FENCE:REAR  
:ASS'Y

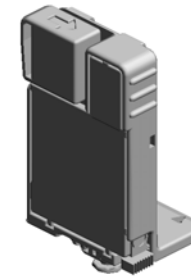


110.D1492952  
DECAL:SIDE FENC  
E:PAPER VOLUME

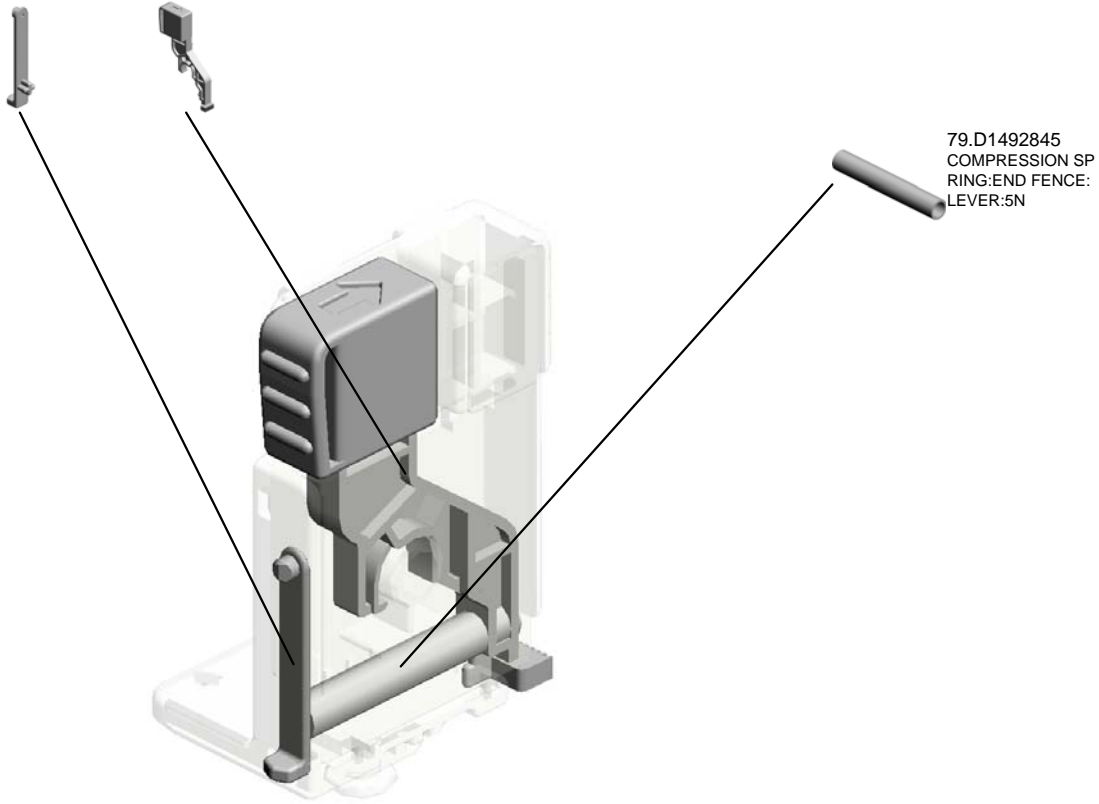
U001	U002	U003	<b>U004</b>	U005	U006	U007	U008	U009	U010	U011	U012	U013	U014	U015	U016
------	------	------	-------------	------	------	------	------	------	------	------	------	------	------	------	------

U004\_S010\_S003  
END FENCE:PAPER TRAY:ASS'Y

78.D1492843    77.D1492842  
CLICK:END FENCE    LEVER:END FENCE



76.D1492840  
END FENCE:PAPE  
R TRAY:ASS'Y



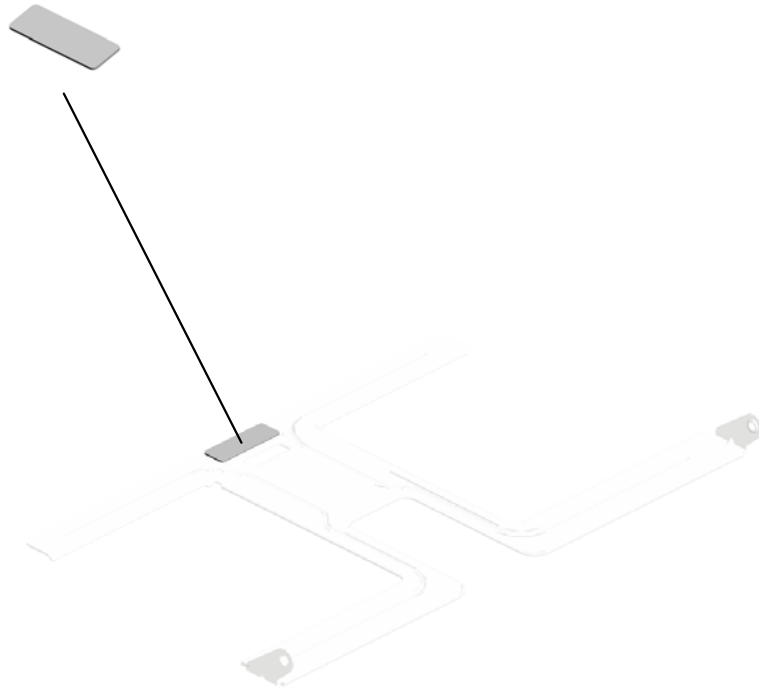
U001	U002	U003	U004	U005	U006	U007	U008	U009	U010	U011	U012	U013	U014	U015	U016
------	------	------	------	------	------	------	------	------	------	------	------	------	------	------	------

U004\_S010\_S004  
TRAY BOTTOM PLATE:NO.2:ASS'Y

19.AF013006  
BOTTOM PLATE P  
AD



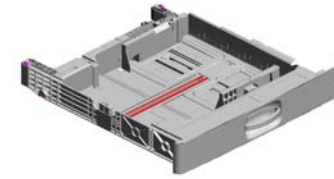
97.D1492873  
TRAY BOTTOM PL  
ATE:NO.2:ASS'Y



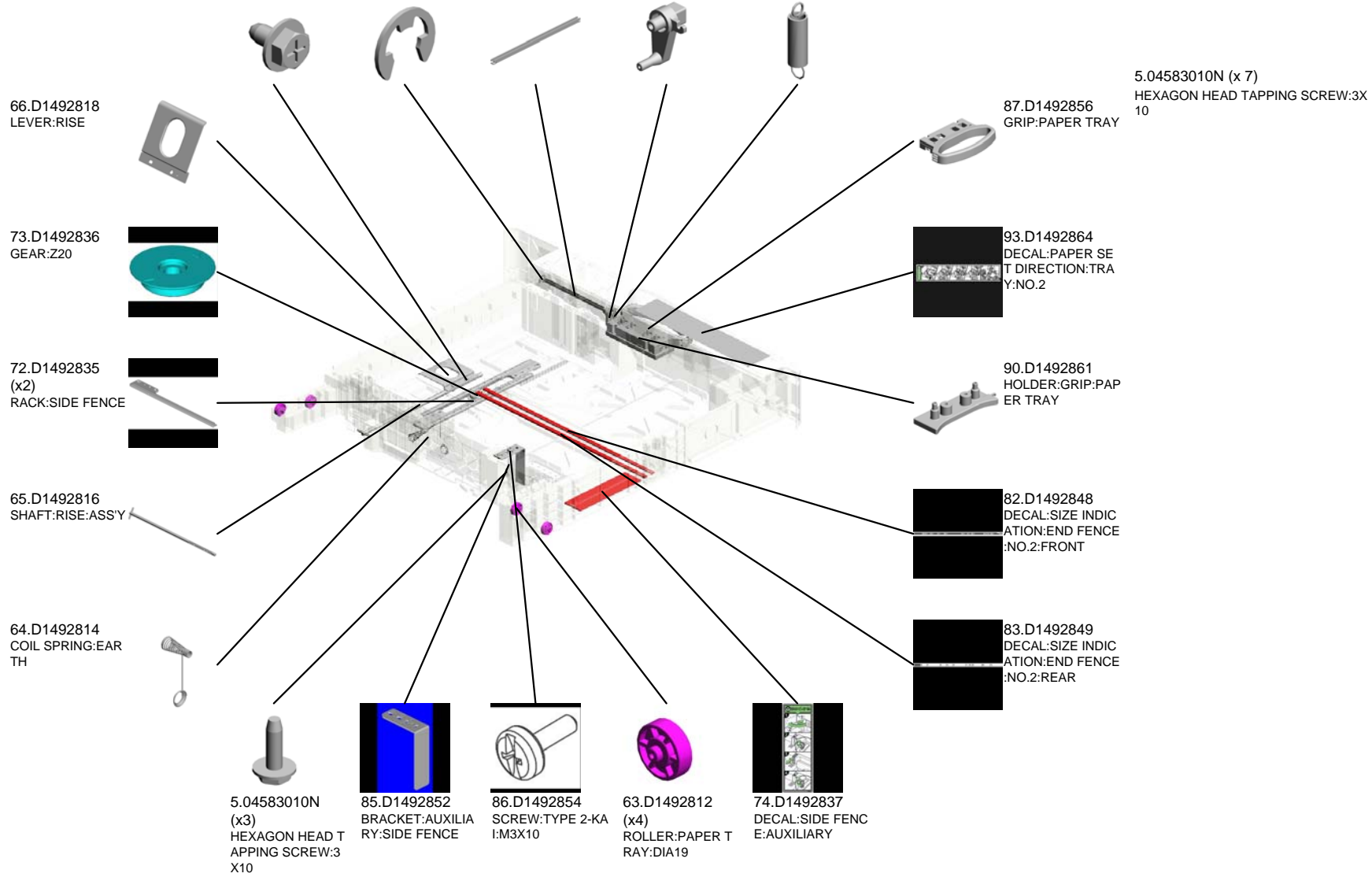
U001	U002	U003	U004	U005	U006	U007	U008	U009	U010	U011	U012	U013	U014	U015	U016
------	------	------	------	------	------	------	------	------	------	------	------	------	------	------	------

U004\_S011  
 (-EU,-AA,-CHN,-TWN):PAPER TRAY:NO.2:ASS'Y

- 1.03603006N (x2) SCREW - M3X6
- 7.07200060E RETAINING RING - M6
- 91.D1492862 SHAFT:RELEASE:APER TRAY:NO.2
- 27.B2232862 LEVER - RELEASE INNER
- 30.D0392566 TENSION SPRING: GRIP:RIGHT

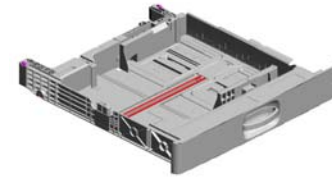


124.D1752894 (-EU,-AA,-CHN,-TWN):PAPER TRAY:NO.2:ASSY



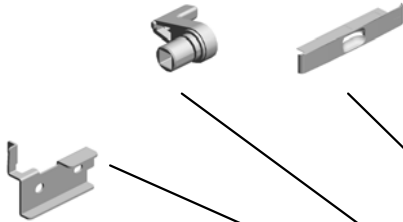
U004\_S011  
 (-EU,-AA,-CHN,-TWN):PAPER TRAY:NO.2:ASS'Y

120.D1752858 LEVER:RELEASE:PA  
 PAPER TRAY:OUTE  
 R  
 95.D1472866 COVER:PAPER TR  
 AY:NO.2  
 201507-01 O/O



124.D1752894  
 (-EU,-AA,-CHN,-TW  
 N):PAPER TRAY:N  
 O.2:ASSY

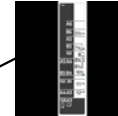
131.D6932867  
 SUPPORTING PLA  
 TE:COVER:FRONT:  
 PAPER TRAY  
 201507-09



119.D1752854  
 TENSION SPRING:  
 GRIP:LEFT



96.D1492869  
 DECAL:SIZE INDIC  
 ATION:SIDE FENC  
 E:NO.2



121.D1752872  
 LINK:END FENCE:  
 PAPER SIZE SENS  
 OR

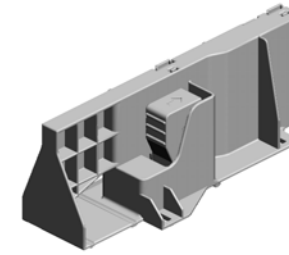


U001	U002	U003	<b>U004</b>	U005	U006	U007	U008	U009	U010	U011	U012	U013	U014	U015	U016
------	------	------	-------------	------	------	------	------	------	------	------	------	------	------	------	------



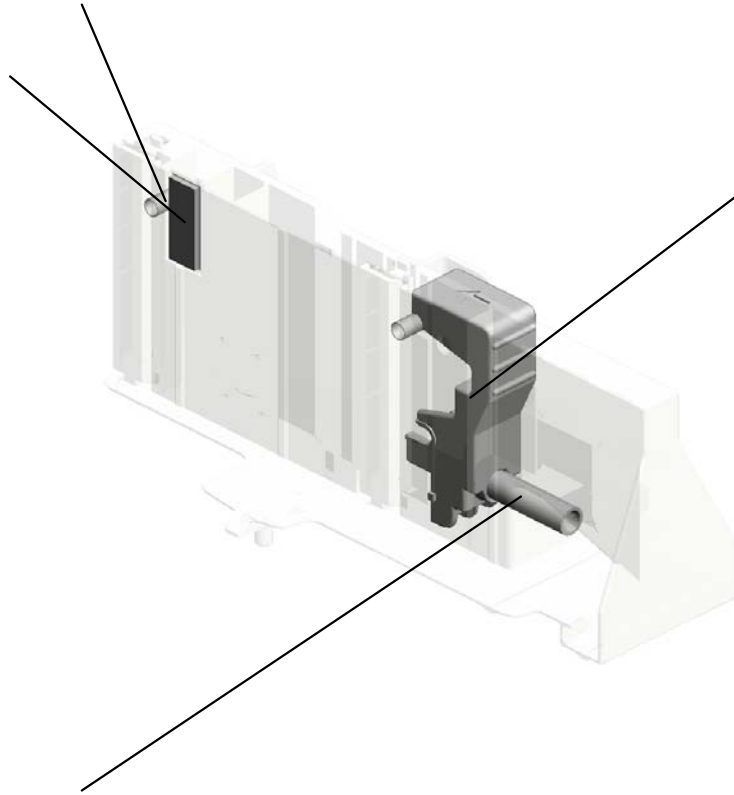
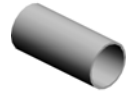
U004\_S011\_S001  
SIDE FENCE:FRONT:ASS'Y

68.D1492826  
(x2)  
COMPRESSION SP  
RING:SIDE FENCE:  
PLATE:FRONT



98.D1492878  
SIDE FENCE:FRON  
T:ASS'Y

28.B2342864  
PAD:CLEANER



67.D1492824  
LEVER:STOPPER:  
FRONT

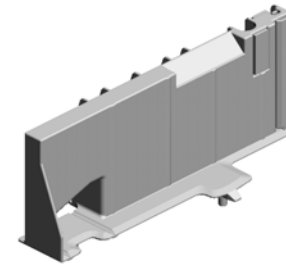


69.D1492827  
COMPRESSION SP  
RING:SIDE FENCE:  
POSITIONING

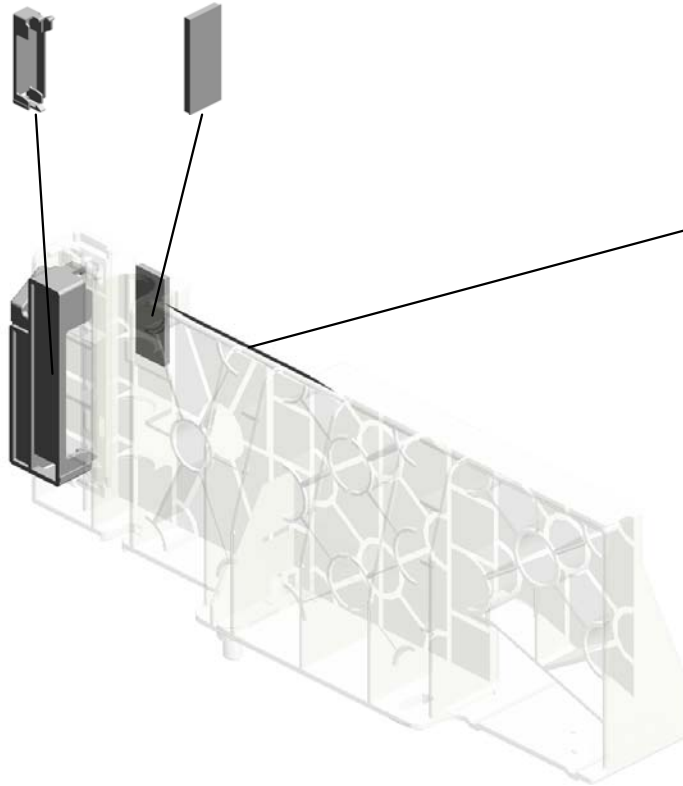
U001	U002	U003	U004	U005	U006	U007	U008	U009	U010	U011	U012	U013	U014	U015	U016
------	------	------	------	------	------	------	------	------	------	------	------	------	------	------	------

U004\_S011\_S002  
SIDE FENCE:REAR:ASS'Y

71.D1492834 28.B2342864  
GUIDE:FEELER:PA PAD:CLEANER  
PER END



99.D1492885  
SIDE FENCE:REAR  
:ASS'Y

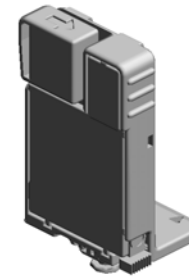


110.D1492952  
DECAL:SIDE FENC  
E:PAPER VOLUME

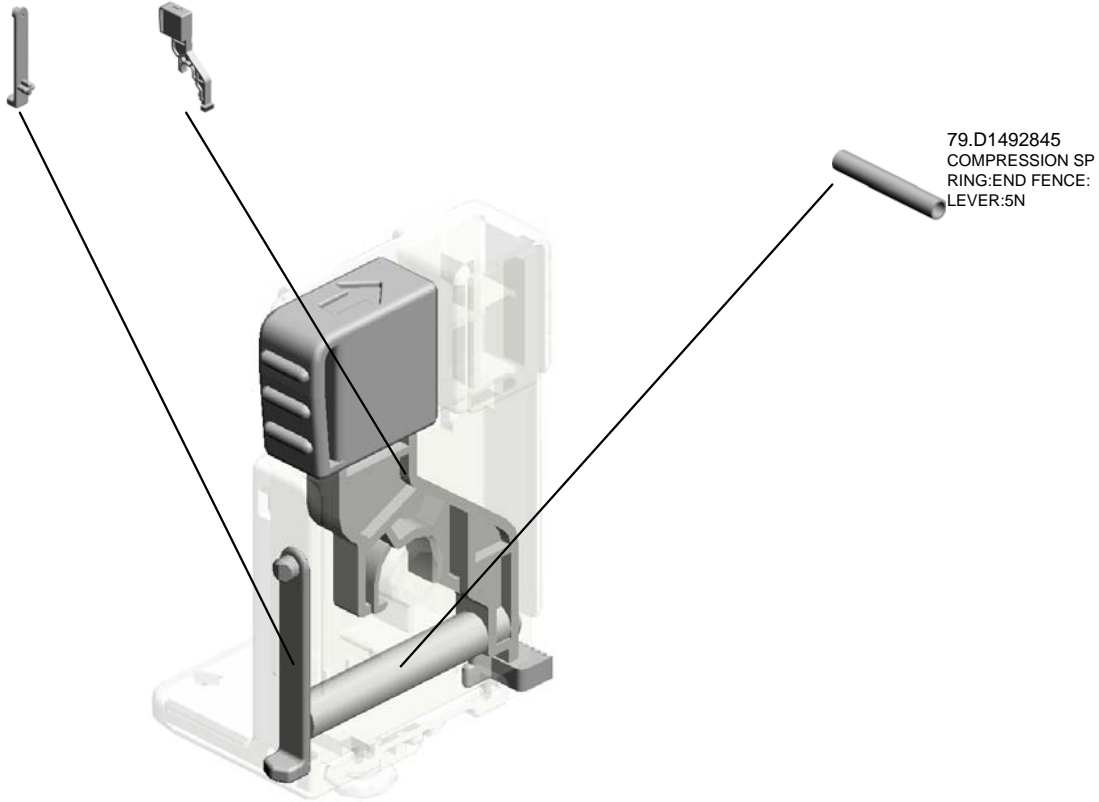
U001	U002	U003	<b>U004</b>	U005	U006	U007	U008	U009	U010	U011	U012	U013	U014	U015	U016
------	------	------	-------------	------	------	------	------	------	------	------	------	------	------	------	------

U004\_S011\_S003  
END FENCE:PAPER TRAY:ASS'Y

78.D1492843    77.D1492842  
CLICK:END FENCE    LEVER:END FENCE



76.D1492840  
END FENCE:PAPE  
R TRAY:ASS'Y



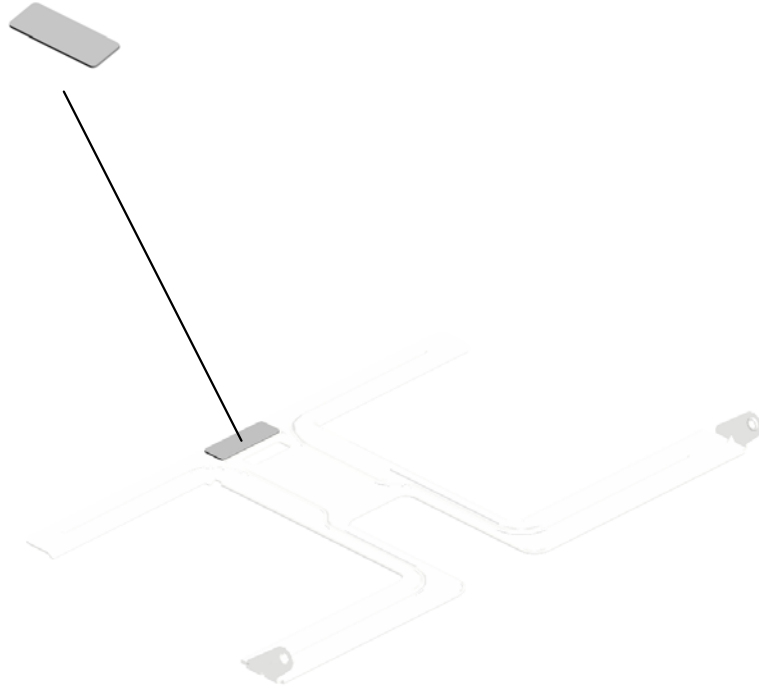
U001	U002	U003	U004	U005	U006	U007	U008	U009	U010	U011	U012	U013	U014	U015	U016
------	------	------	------	------	------	------	------	------	------	------	------	------	------	------	------

U004\_S011\_S004  
TRAY BOTTOM PLATE:NO.2:ASS'Y

19.AF013006  
BOTTOM PLATE P  
AD

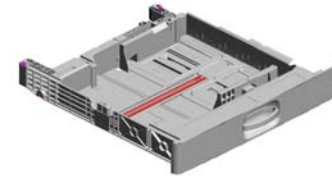


97.D1492873  
TRAY BOTTOM PL  
ATE:NO.2:ASS'Y



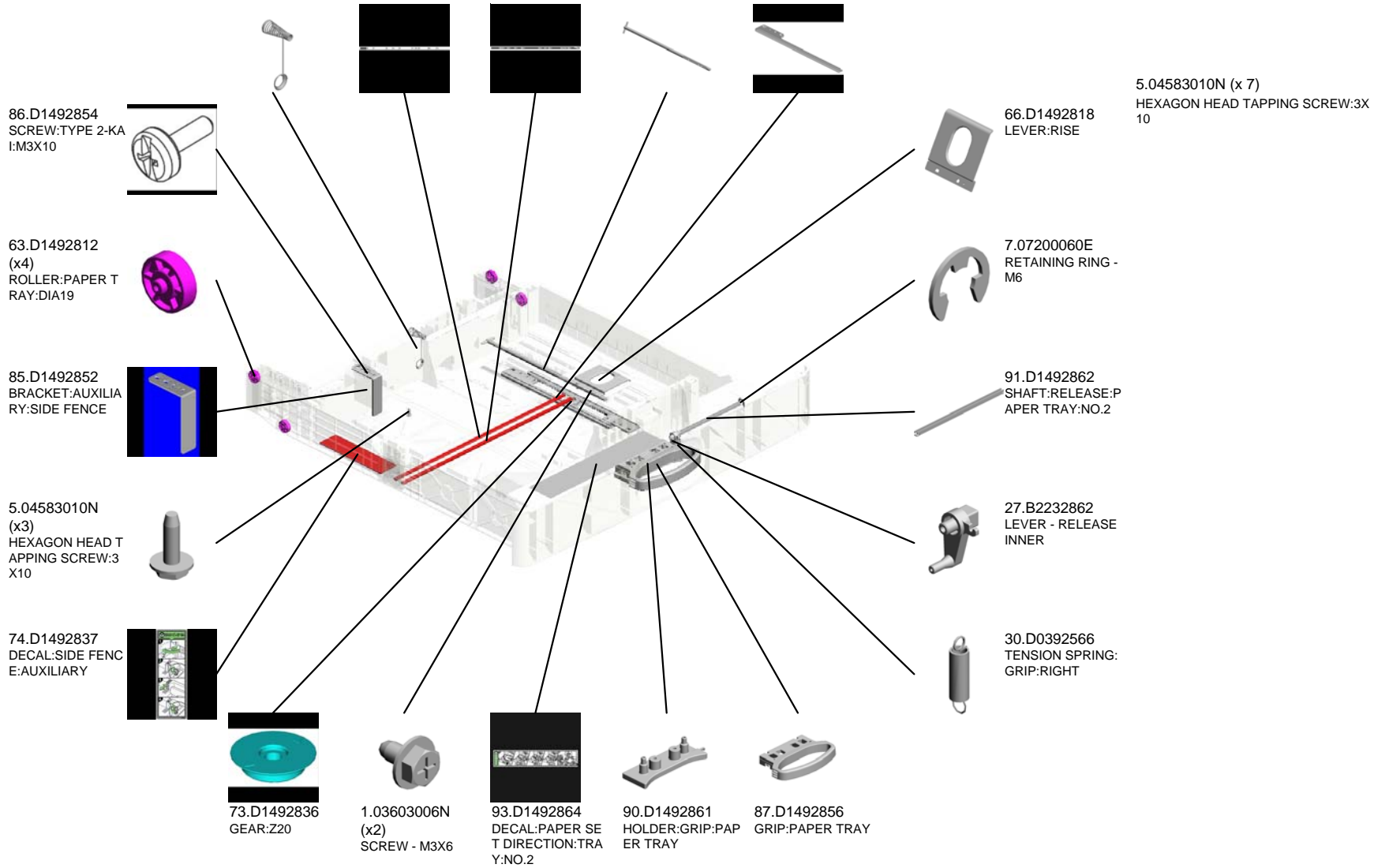
U001	U002	U003	U004	U005	U006	U007	U008	U009	U010	U011	U012	U013	U014	U015	U016
------	------	------	------	------	------	------	------	------	------	------	------	------	------	------	------

U004\_S012  
 (C2011SP-TWN/-CHN/-EU/-AA):PAPER TRAY:NO.2:ASS'Y



132.D2372814  
 [A]  
 (C2011SP-TWN/-C  
 HN/-EU/-AA):PAPE  
 R TRAY:NO.2:ASS'  
 Y  
 201508-01 X/O

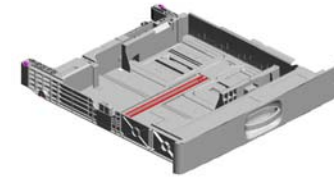
- 64.D1492814 COIL SPRING:EAR TH
- 83.D1492849 DECAL:SIZE INDIC ATION:END FENCE :NO.2:REAR
- 82.D1492848 DECAL:SIZE INDIC ATION:END FENCE :NO.2:FRONT
- 65.D1492816 SHAFT:RISE:ASS'Y
- 72.D1492835 (x2) RACK:SIDE FENCE



U001	U002	U003	U004	U005	U006	U007	U008	U009	U010	U011	U012	U013	U014	U015	U016
------	------	------	------	------	------	------	------	------	------	------	------	------	------	------	------

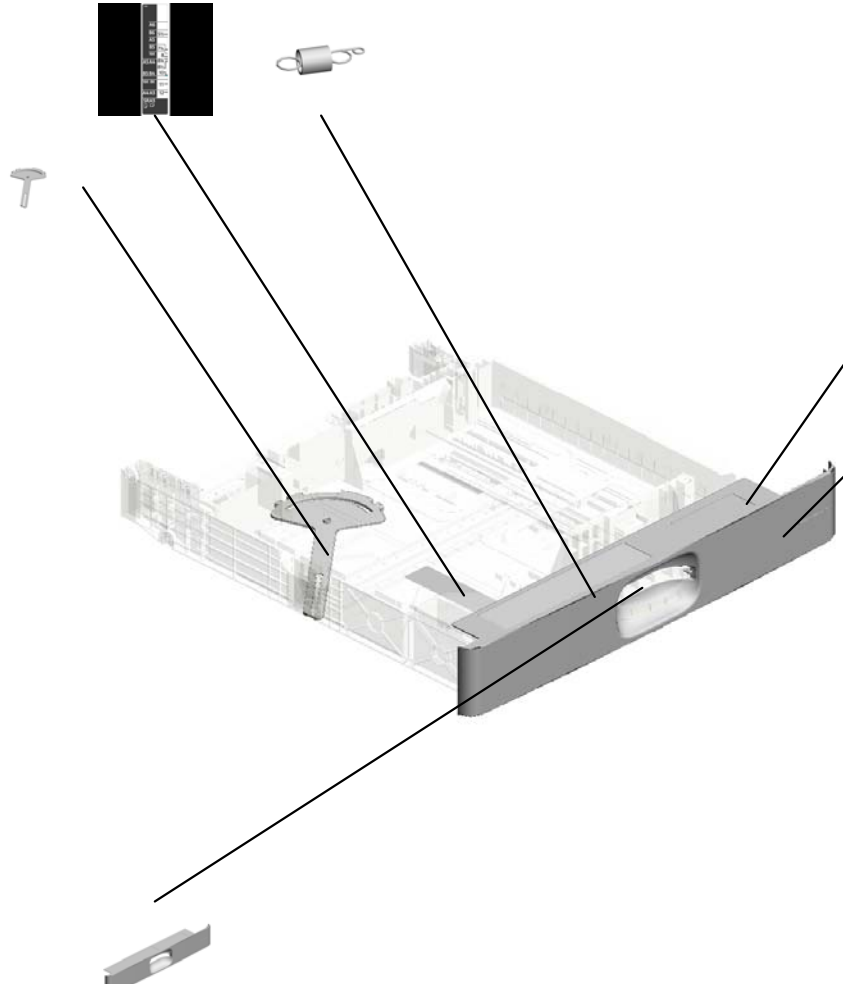
U004\_S012  
 (C2011SP-TWN/-CHN/-EU/-AA):PAPER TRAY:NO.2:ASS'Y

96.D1492869 119.D1752854  
 DECAL:SIZE INDIC TENSION SPRING:  
 ATION:SIDE FENC GRIP:LEFT  
 E:NO.2



132.D2372814  
 [A]  
 (C2011SP-TWN/-C  
 HN/-EU/-AA):PAPE  
 R TRAY:NO.2:ASS'  
 Y  
 201508-01 X/O

121.D1752872  
 LINK:END FENCE:  
 PAPER SIZE SENS  
 OR



120.D1752858  
 LEVER:RELEASE:P  
 APER TRAY:OUTE  
 R

131.D6932867  
 SUPPORTING PLA  
 TE:COVER:FRONT:  
 PAPER TRAY  
 201507-09

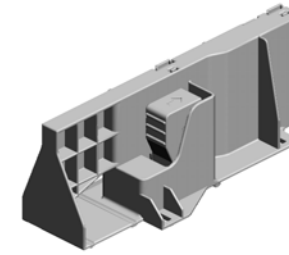
95.D1472866  
 COVER:PAPER TR  
 AY:NO.2  
 201507-01 O/O

D2372812  
 [A]  
 (C2011SP-TWN/-C  
 HN/-EU/-AA):PAPE  
 R TRAY:NO.2:ASS'  
 Y  
 201508-01 X/O

U001	U002	U003	U004	U005	U006	U007	U008	U009	U010	U011	U012	U013	U014	U015	U016
------	------	------	------	------	------	------	------	------	------	------	------	------	------	------	------

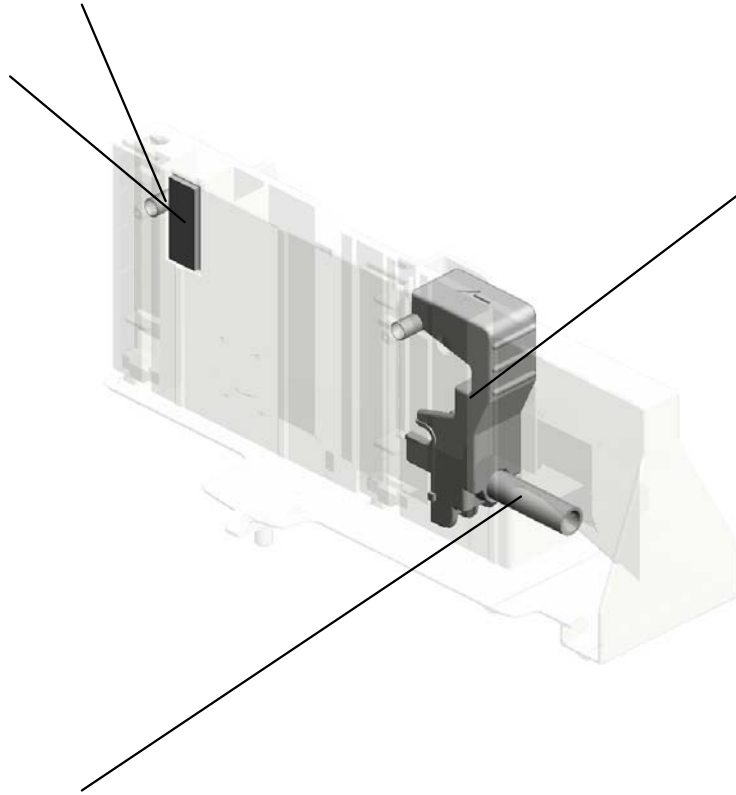
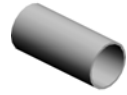
U004\_S012\_S001  
SIDE FENCE:FRONT:ASS'Y

68.D1492826  
(x2)  
COMPRESSION SP  
RING:SIDE FENCE:  
PLATE:FRONT



98.D1492878  
SIDE FENCE:FRON  
T:ASSY

28.B2342864  
PAD:CLEANER



67.D1492824  
LEVER:STOPPER:  
FRONT

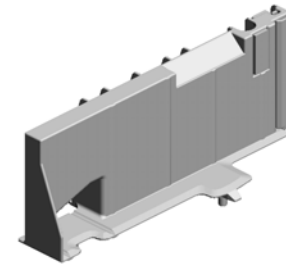


69.D1492827  
COMPRESSION SP  
RING:SIDE FENCE:  
POSITIONING

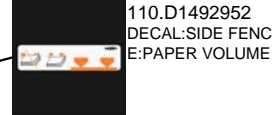
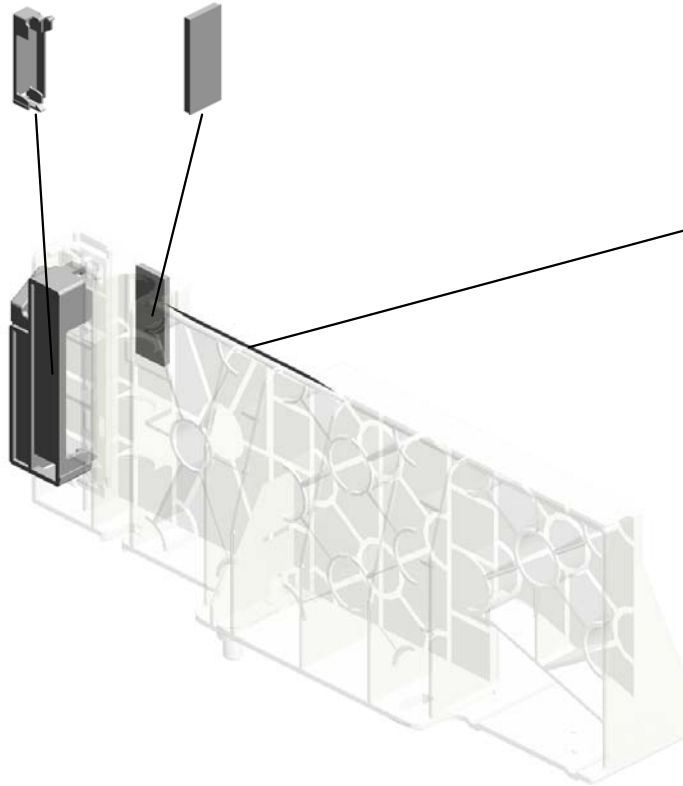
U001	U002	U003	U004	U005	U006	U007	U008	U009	U010	U011	U012	U013	U014	U015	U016
------	------	------	------	------	------	------	------	------	------	------	------	------	------	------	------

U004\_S012\_S002  
SIDE FENCE:REAR:ASS'Y

71.D1492834 28.B2342864  
GUIDE:FEELER:PA PAD:CLEANER  
PER END



99.D1492885  
SIDE FENCE:REAR  
:ASS'Y



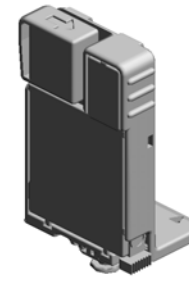
110.D1492952  
DECAL:SIDE FENC  
E:PAPER VOLUME

U001	U002	U003	<b>U004</b>	U005	U006	U007	U008	U009	U010	U011	U012	U013	U014	U015	U016
------	------	------	-------------	------	------	------	------	------	------	------	------	------	------	------	------

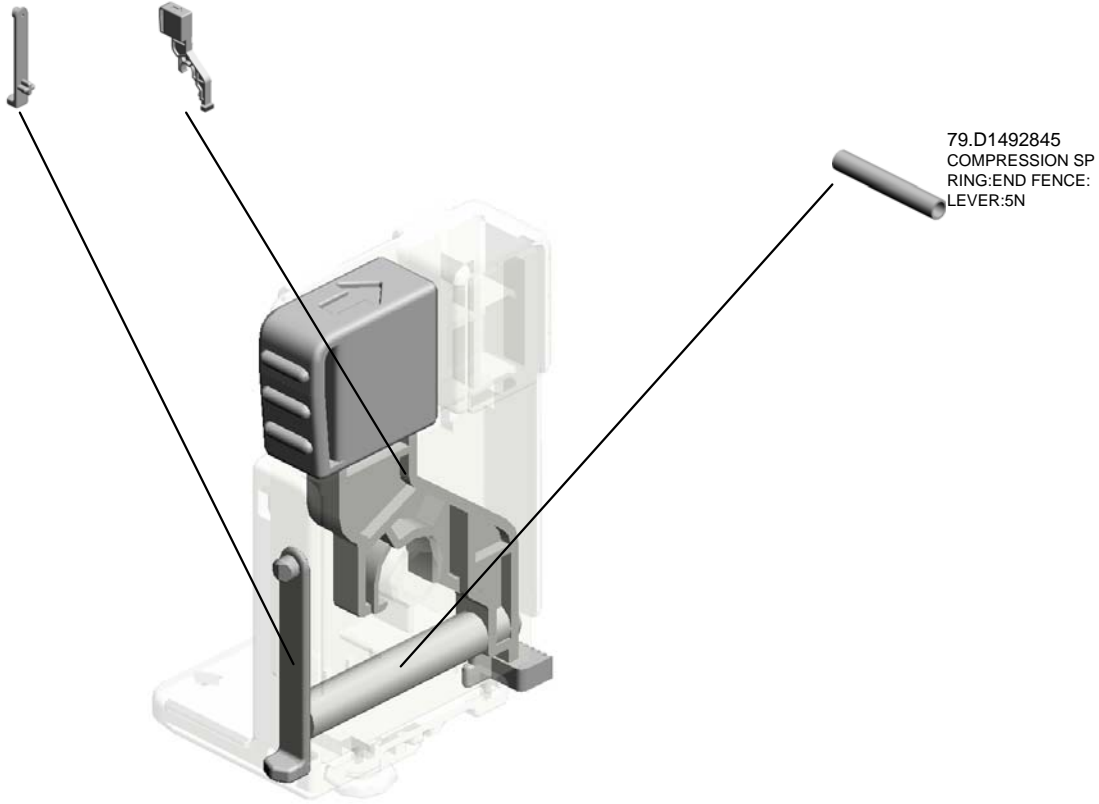


U004\_S012\_S003  
END FENCE:PAPER TRAY:ASS'Y

78.D1492843    77.D1492842  
CLICK:END FENCE    LEVER:END FENCE



76.D1492840  
END FENCE:PAPE  
R TRAY:ASS'Y



79.D1492845  
COMPRESSION SP  
RING:END FENCE:  
LEVER:5N

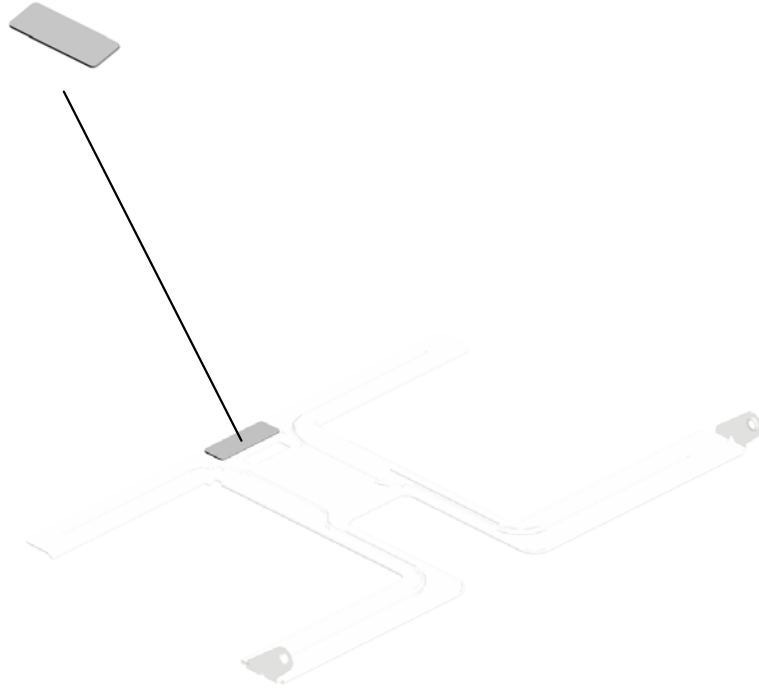
U001	U002	U003	U004	U005	U006	U007	U008	U009	U010	U011	U012	U013	U014	U015	U016
------	------	------	------	------	------	------	------	------	------	------	------	------	------	------	------

U004\_S012\_S004  
TRAY BOTTOM PLATE:NO.2:ASS'Y

19.AF013006  
BOTTOM PLATE P  
AD



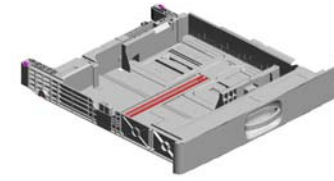
97.D1492873  
TRAY BOTTOM PL  
ATE:NO.2:ASS'Y



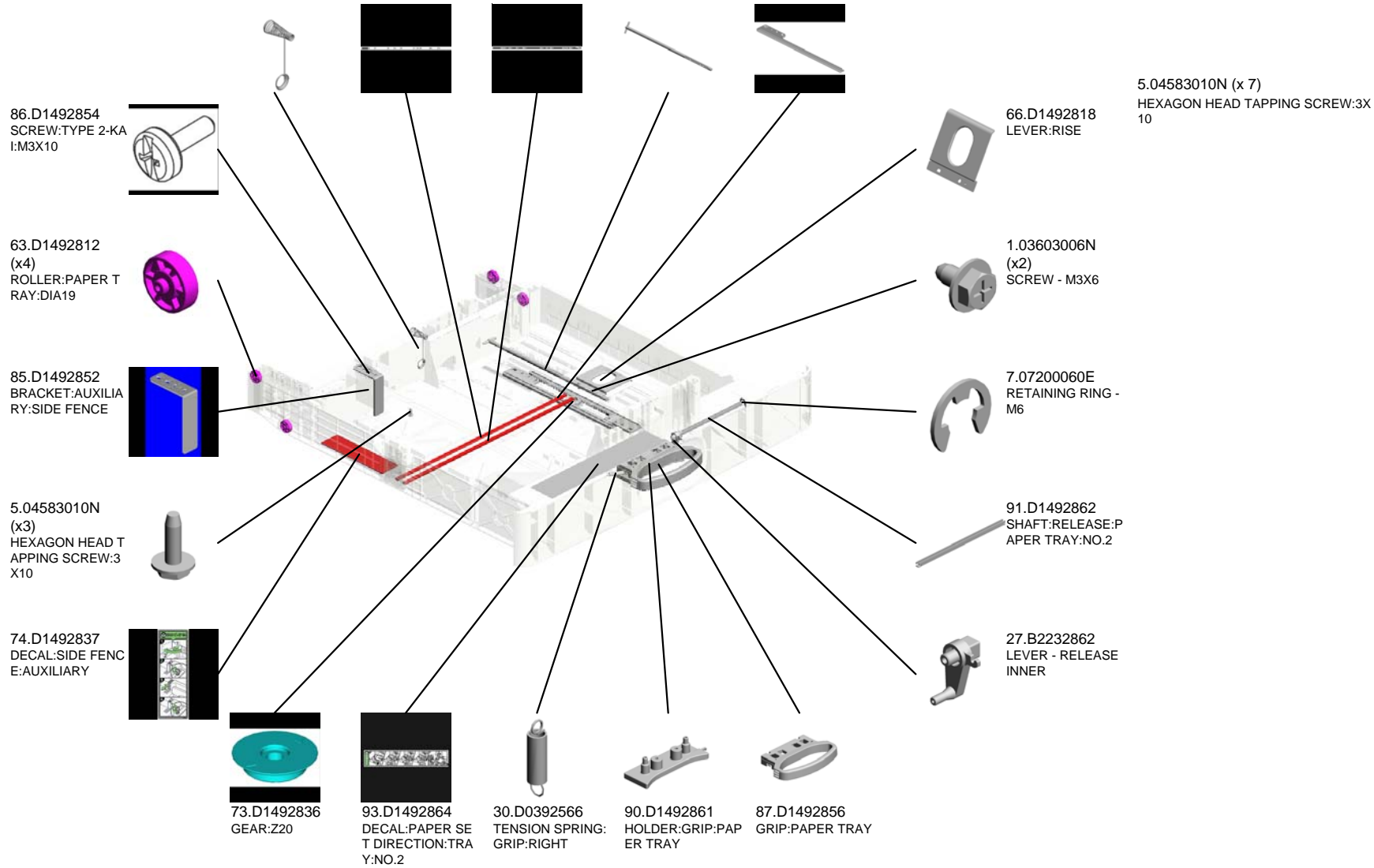
U001	U002	U003	U004	U005	U006	U007	U008	U009	U010	U011	U012	U013	U014	U015	U016
------	------	------	------	------	------	------	------	------	------	------	------	------	------	------	------

U004\_S013  
 (C2011SP-TWN/-CHN/-EU/-AA):PAPER TRAY:NO.2:ASS'Y

- 64.D1492814 COIL SPRING:EAR TH
- 83.D1492849 DECAL:SIZE INDICATION:END FENCE:NO.2:REAR
- 82.D1492848 DECAL:SIZE INDICATION:END FENCE:NO.2:FRONT
- 65.D1492816 SHAFT:RISE:ASS'Y
- 72.D1492835 (x2) RACK:SIDE FENCE



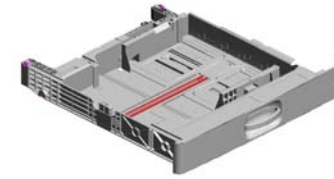
132.D2372814  
 [A]  
 (C2011SP-TWN/-CHN/-EU/-AA):PAPER TRAY:NO.2:ASS'Y  
 201508-01 X/O



U001	U002	U003	U004	U005	U006	U007	U008	U009	U010	U011	U012	U013	U014	U015	U016
------	------	------	------	------	------	------	------	------	------	------	------	------	------	------	------

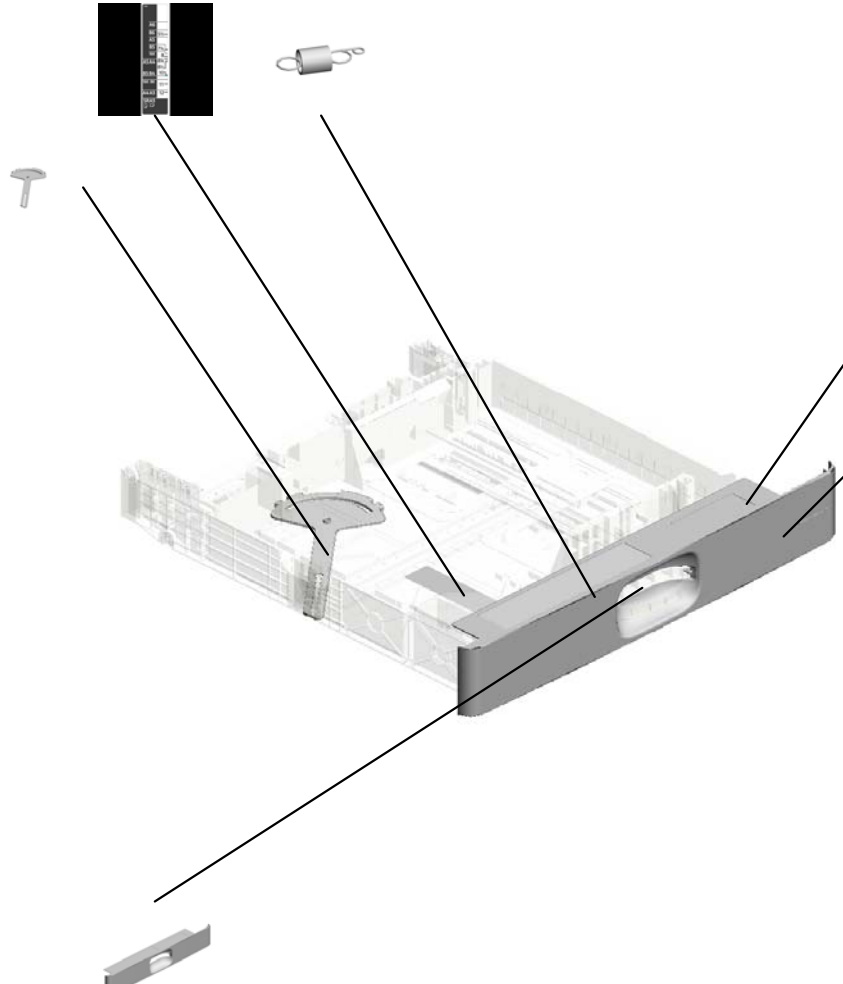
U004\_S013  
 (C2011SP-TWN/-CHN/-EU/-AA):PAPER TRAY:NO.2:ASS'Y

96.D1492869 119.D1752854  
 DECAL:SIZE INDIC TENSION SPRING:  
 ATION:SIDE FENC GRIP:LEFT  
 E:NO.2



132.D2372814  
 [A]  
 (C2011SP-TWN/-C  
 HN/-EU/-AA):PAPE  
 R TRAY:NO.2:ASS'  
 Y  
 201508-01 X/O

121.D1752872  
 LINK:END FENCE:  
 PAPER SIZE SENS  
 OR



120.D1752858  
 LEVER:RELEASE:P  
 APER TRAY:OUTE  
 R

131.D6932867  
 SUPPORTING PLA  
 TE:COVER:FRONT:  
 PAPER TRAY  
 201507-09

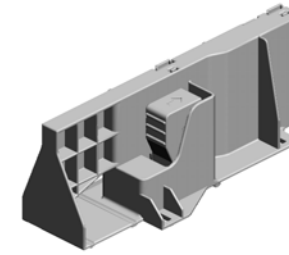
95.D1472866  
 COVER:PAPER TR  
 AY:NO.2  
 201507-01 O/O

D2372812  
 [A]  
 (C2011SP-TWN/-C  
 HN/-EU/-AA):PAPE  
 R TRAY:NO.2:ASS'  
 Y  
 201508-01 X/O

U001	U002	U003	U004	U005	U006	U007	U008	U009	U010	U011	U012	U013	U014	U015	U016
------	------	------	------	------	------	------	------	------	------	------	------	------	------	------	------

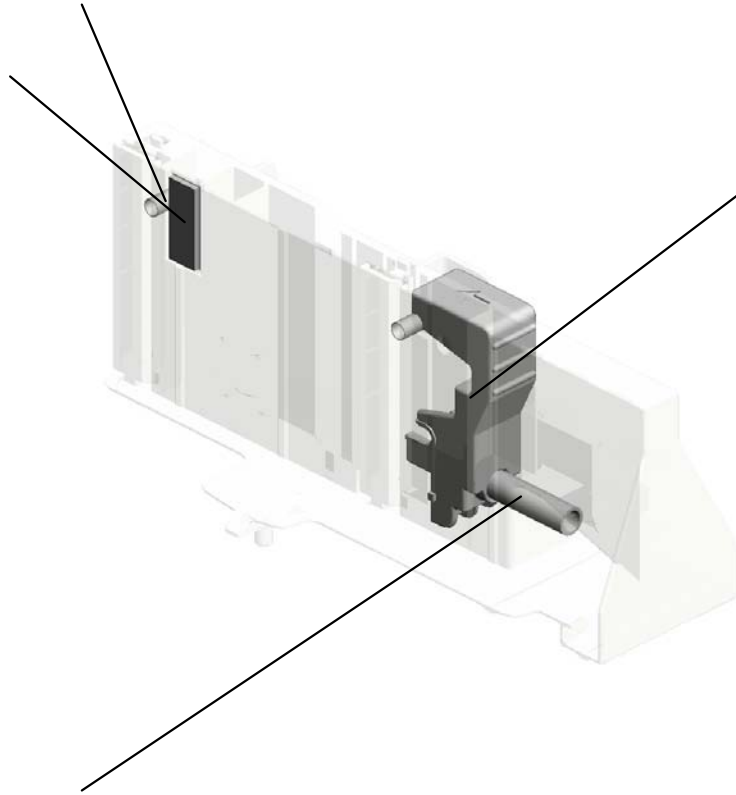
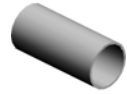
U004\_S013\_S001  
SIDE FENCE:FRONT:ASS'Y

68.D1492826  
(x2)  
COMPRESSION SP  
RING:SIDE FENCE:  
PLATE:FRONT



98.D1492878  
SIDE FENCE:FRON  
T:ASSY

28.B2342864  
PAD:CLEANER



67.D1492824  
LEVER:STOPPER:  
FRONT

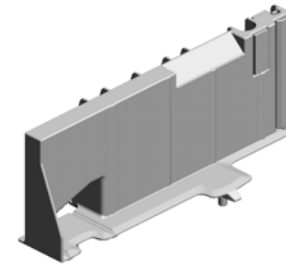


69.D1492827  
COMPRESSION SP  
RING:SIDE FENCE:  
POSITIONING

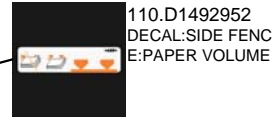
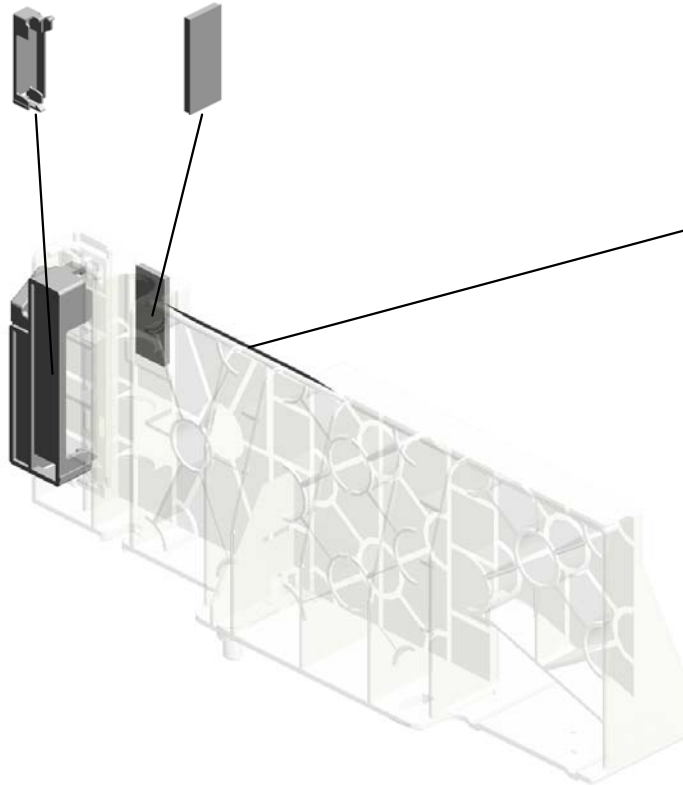
U001	U002	U003	U004	U005	U006	U007	U008	U009	U010	U011	U012	U013	U014	U015	U016
------	------	------	------	------	------	------	------	------	------	------	------	------	------	------	------

U004\_S013\_S002  
SIDE FENCE:REAR:ASS'Y

71.D1492834 28.B2342864  
GUIDE:FEELER:PA PAD:CLEANER  
PER END



99.D1492885  
SIDE FENCE:REAR  
:ASS'Y

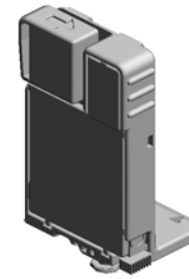


110.D1492952  
DECAL:SIDE FENCE:PAPER VOLUME

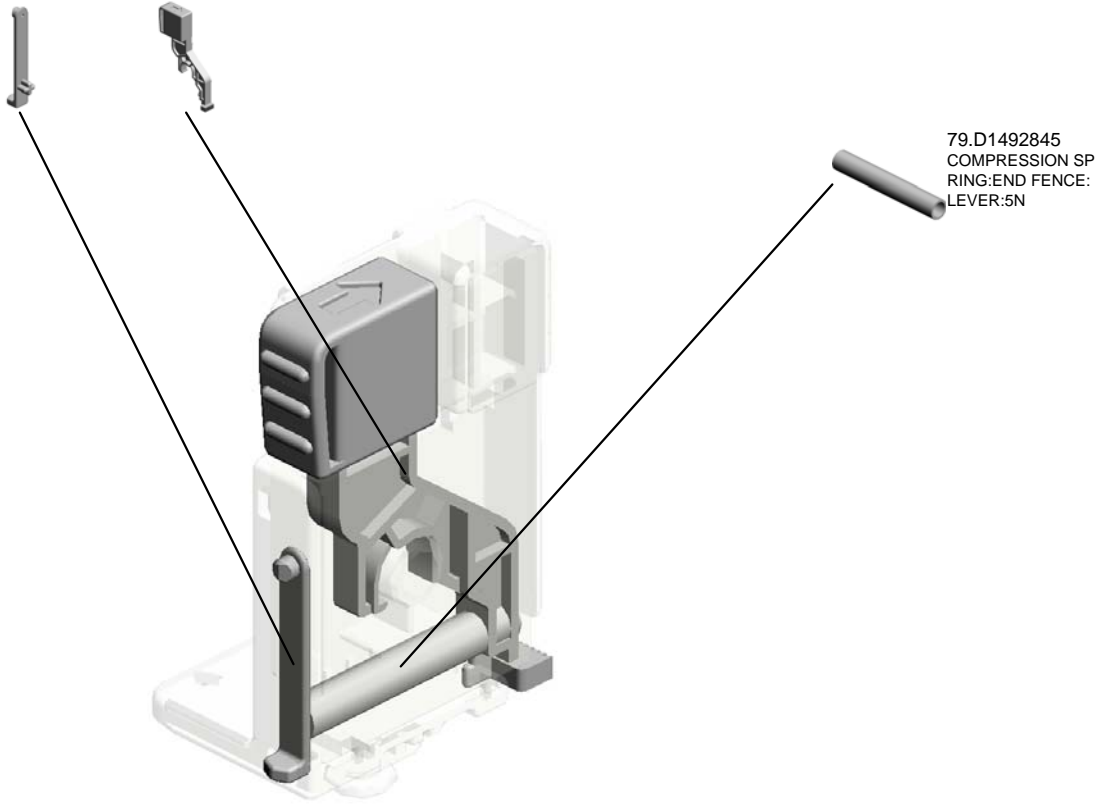
U001	U002	U003	<b>U004</b>	U005	U006	U007	U008	U009	U010	U011	U012	U013	U014	U015	U016
------	------	------	-------------	------	------	------	------	------	------	------	------	------	------	------	------

U004\_S013\_S003  
END FENCE:PAPER TRAY:ASS'Y

78.D1492843    77.D1492842  
CLICK:END FENCE    LEVER:END FENCE



76.D1492840  
END FENCE:PAPE  
R TRAY:ASS'Y



79.D1492845  
COMPRESSION SP  
RING:END FENCE:  
LEVER:5N

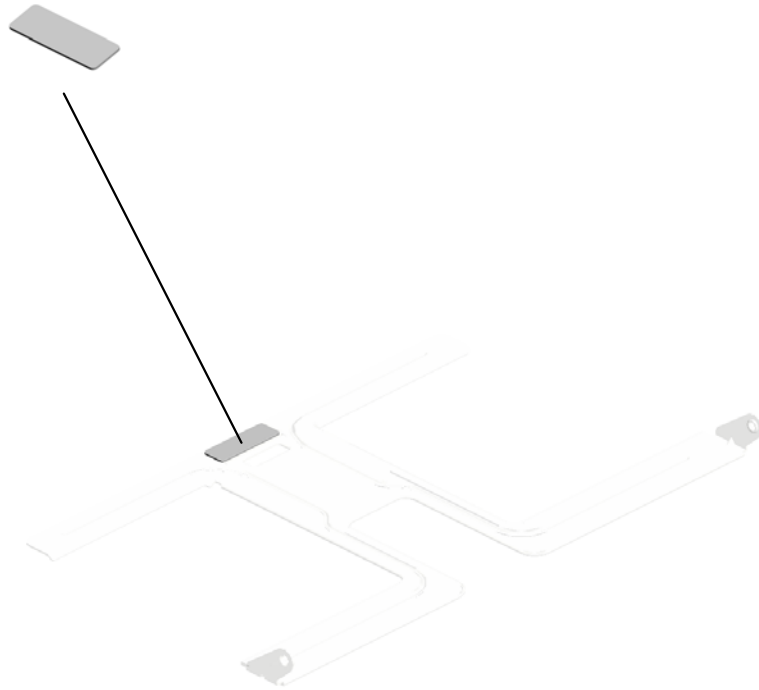
U001	U002	U003	U004	U005	U006	U007	U008	U009	U010	U011	U012	U013	U014	U015	U016
------	------	------	------	------	------	------	------	------	------	------	------	------	------	------	------

U004\_S013\_S004  
TRAY BOTTOM PLATE:NO.2:ASS'Y

19.AF013006  
BOTTOM PLATE P  
AD



97.D1492873  
TRAY BOTTOM PL  
ATE:NO.2:ASS'Y

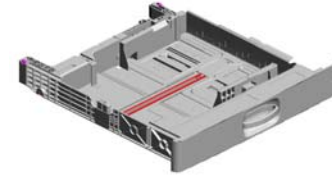


U001	U002	U003	U004	U005	U006	U007	U008	U009	U010	U011	U012	U013	U014	U015	U016
------	------	------	------	------	------	------	------	------	------	------	------	------	------	------	------

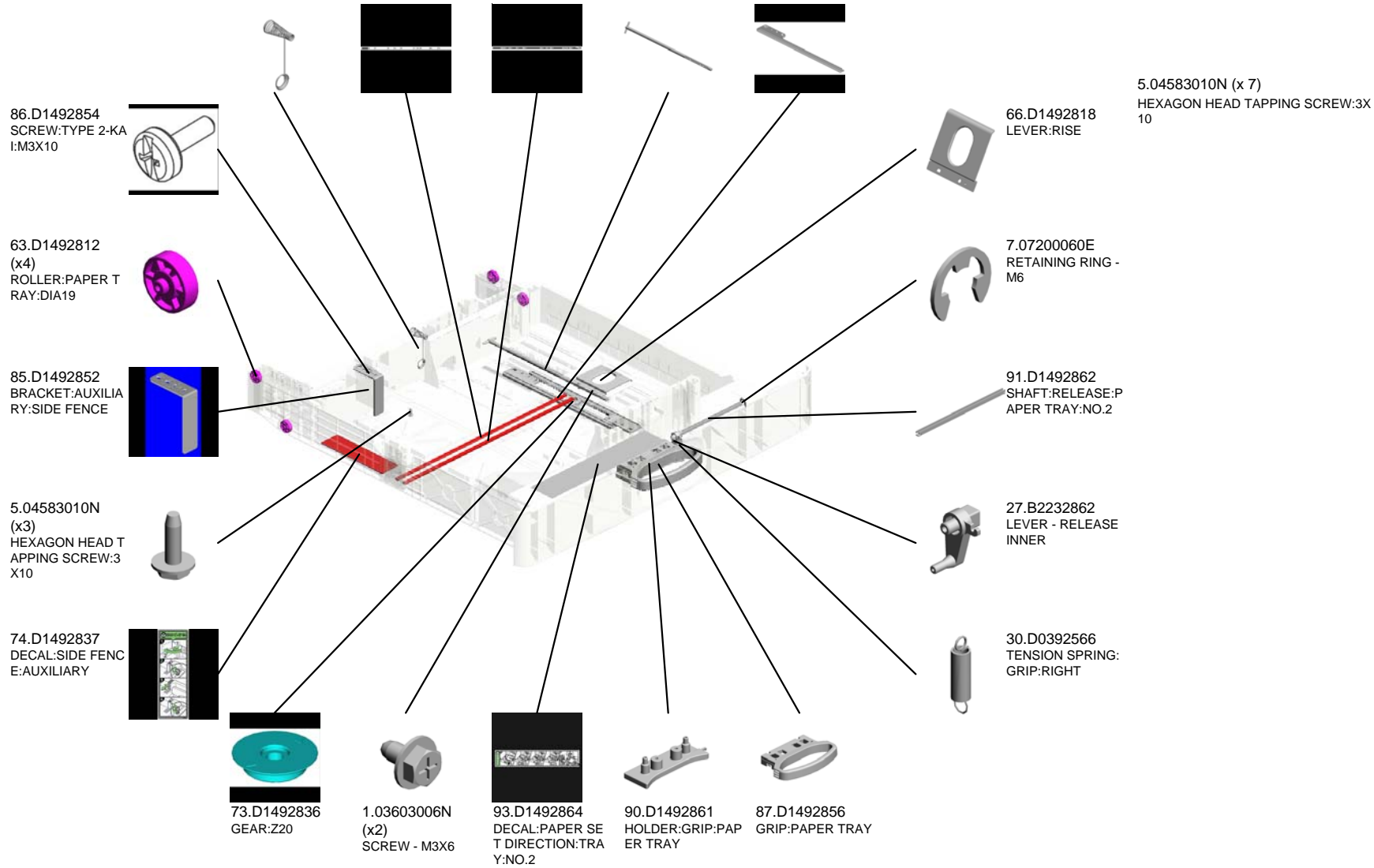


U004\_S014  
(C2011SP-TWN/-CHN/-EU/-AA):PAPER TRAY:NO.2:ASS'Y

- 64.D1492814 COIL SPRING:EAR TH
- 83.D1492849 DECAL:SIZE INDICATION:END FENCE:NO.2:REAR
- 82.D1492848 DECAL:SIZE INDICATION:END FENCE:NO.2:FRONT
- 65.D1492816 SHAFT:RISE:ASS'Y
- 72.D1492835 (x2) RACK:SIDE FENCE



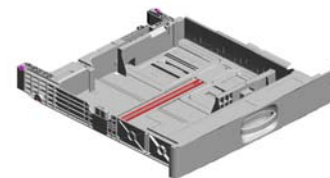
132.D2372814  
[A]  
(C2011SP-TWN/-CHN/-EU/-AA):PAPER TRAY:NO.2:ASS'Y  
201508-01 X/O



U001	U002	U003	U004	U005	U006	U007	U008	U009	U010	U011	U012	U013	U014	U015	U016
------	------	------	------	------	------	------	------	------	------	------	------	------	------	------	------

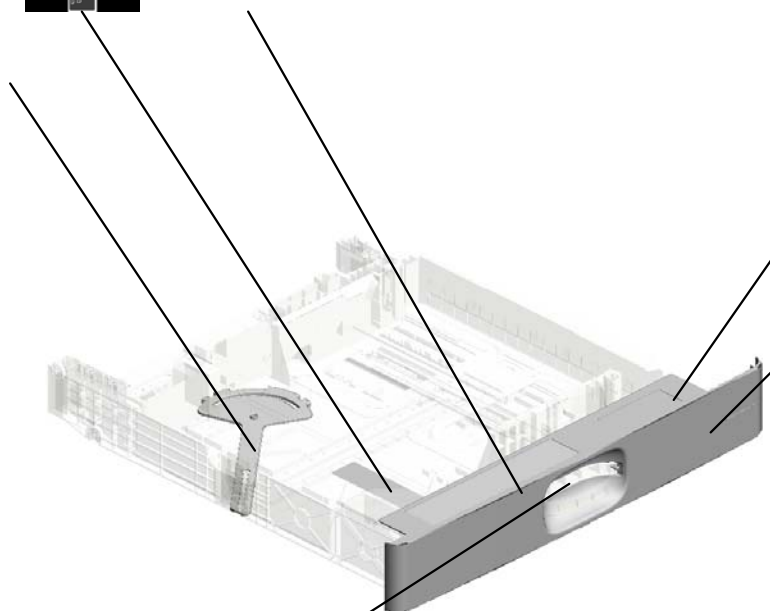
U004\_S014  
 (C2011SP-TWN/-CHN/-EU/-AA):PAPER TRAY:NO.2:ASS'Y

96.D1492869 119.D1752854  
 DECAL:SIZE INDICATION:SIDE FENCE:NO.2 TENSION SPRING:GRIP:LEFT



132.D2372814  
 [A]  
 (C2011SP-TWN/-CHN/-EU/-AA):PAPER TRAY:NO.2:ASS'Y  
 201508-01 X/O

121.D1752872  
 LINK:END FENCE:PAPER SIZE SENSOR



120.D1752858  
 LEVER:RELEASE:PAPER TRAY:OUTER



131.D6932867  
 SUPPORTING PLATE:COVER:FRONT:PAPER TRAY  
 201507-09



95.D1472866  
 COVER:PAPER TRAY:NO.2  
 201507-01 O/O

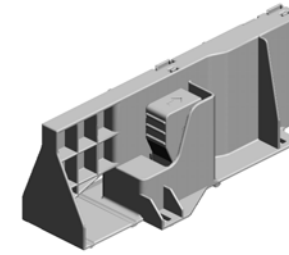


D2372812  
 [A]  
 (C2011SP-TWN/-CHN/-EU/-AA):PAPER TRAY:NO.2:ASS'Y  
 201508-01 X/O

U001	U002	U003	U004	U005	U006	U007	U008	U009	U010	U011	U012	U013	U014	U015	U016
------	------	------	------	------	------	------	------	------	------	------	------	------	------	------	------

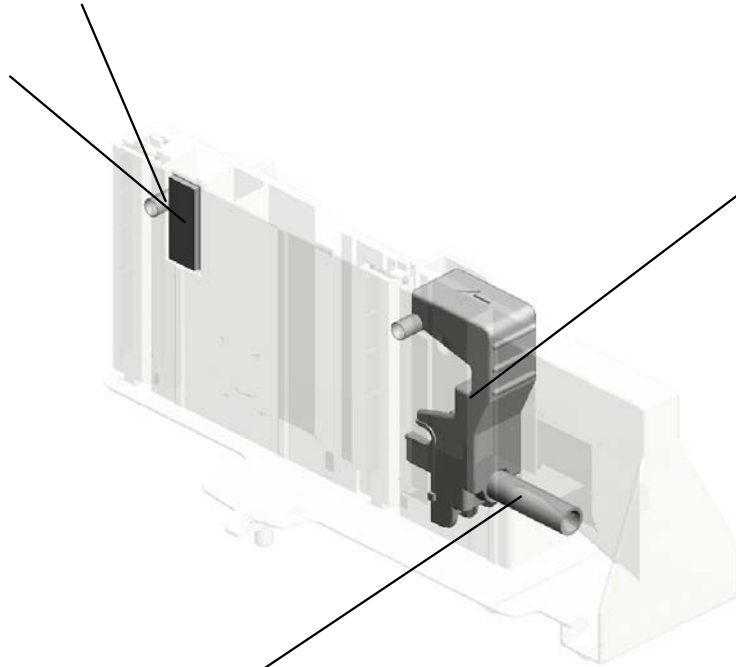
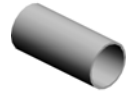
U004\_S014\_S001  
SIDE FENCE:FRONT:ASS'Y

68.D1492826  
(x2)  
COMPRESSION SP  
RING:SIDE FENCE:  
PLATE:FRONT



98.D1492878  
SIDE FENCE:FRON  
T:ASS'Y

28.B2342864  
PAD:CLEANER



67.D1492824  
LEVER:STOPPER:  
FRONT

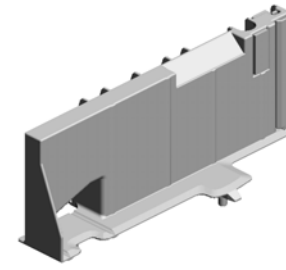


69.D1492827  
COMPRESSION SP  
RING:SIDE FENCE:  
POSITIONING

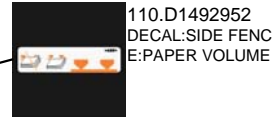
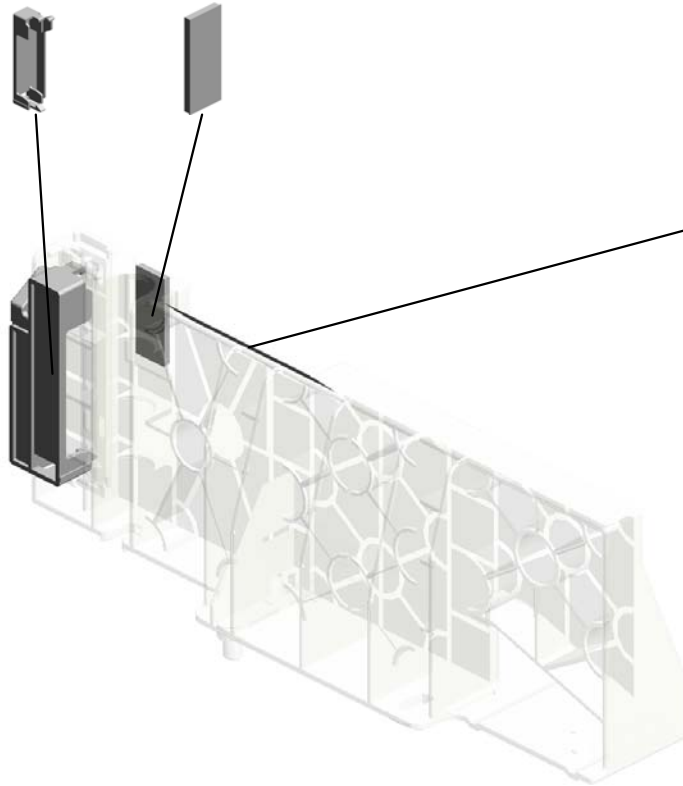
U001	U002	U003	U004	U005	U006	U007	U008	U009	U010	U011	U012	U013	U014	U015	U016
------	------	------	------	------	------	------	------	------	------	------	------	------	------	------	------

U004\_S014\_S002  
SIDE FENCE:REAR:ASS'Y

71.D1492834 28.B2342864  
GUIDE:FEELER:PA PAD:CLEANER  
PER END



99.D1492885  
SIDE FENCE:REAR  
:ASS'Y

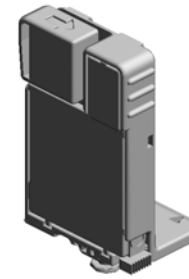


110.D1492952  
DECAL:SIDE FENC  
E:PAPER VOLUME

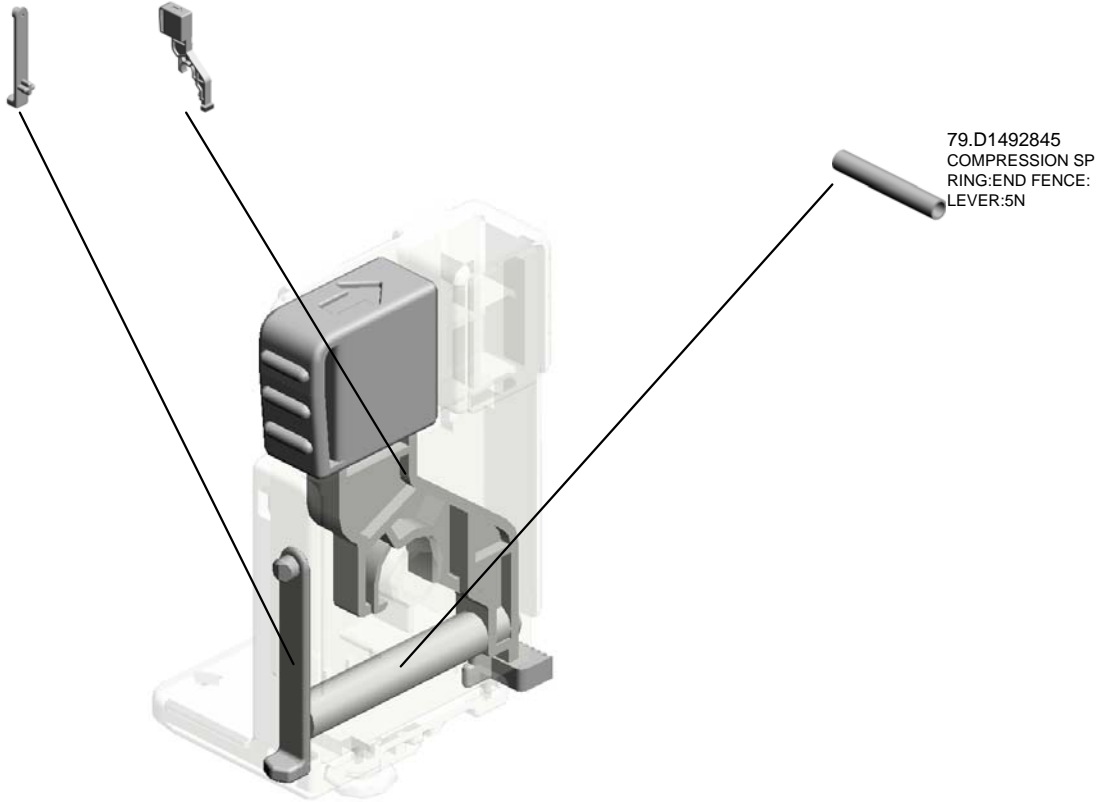
U001	U002	U003	<b>U004</b>	U005	U006	U007	U008	U009	U010	U011	U012	U013	U014	U015	U016
------	------	------	-------------	------	------	------	------	------	------	------	------	------	------	------	------

U004\_S014\_S003  
END FENCE:PAPER TRAY:ASS'Y

78.D1492843    77.D1492842  
CLICK:END FENCE    LEVER:END FENCE



76.D1492840  
END FENCE:PAPE  
R TRAY:ASS'Y



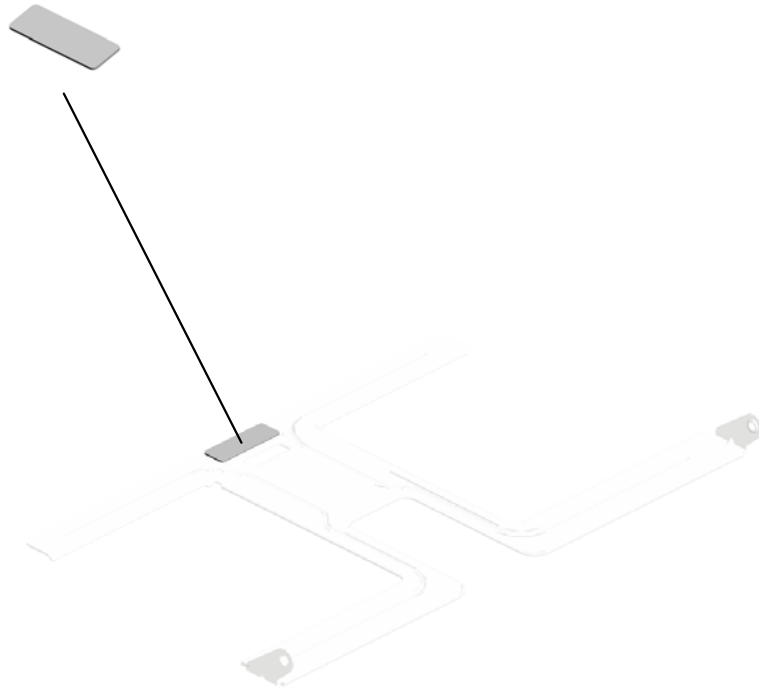
U001	U002	U003	U004	U005	U006	U007	U008	U009	U010	U011	U012	U013	U014	U015	U016
------	------	------	------	------	------	------	------	------	------	------	------	------	------	------	------

U004\_S014\_S004  
TRAY BOTTOM PLATE:NO.2:ASS'Y

19.AF013006  
BOTTOM PLATE P  
AD



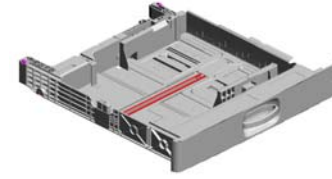
97.D1492873  
TRAY BOTTOM PL  
ATE:NO.2:ASS'Y



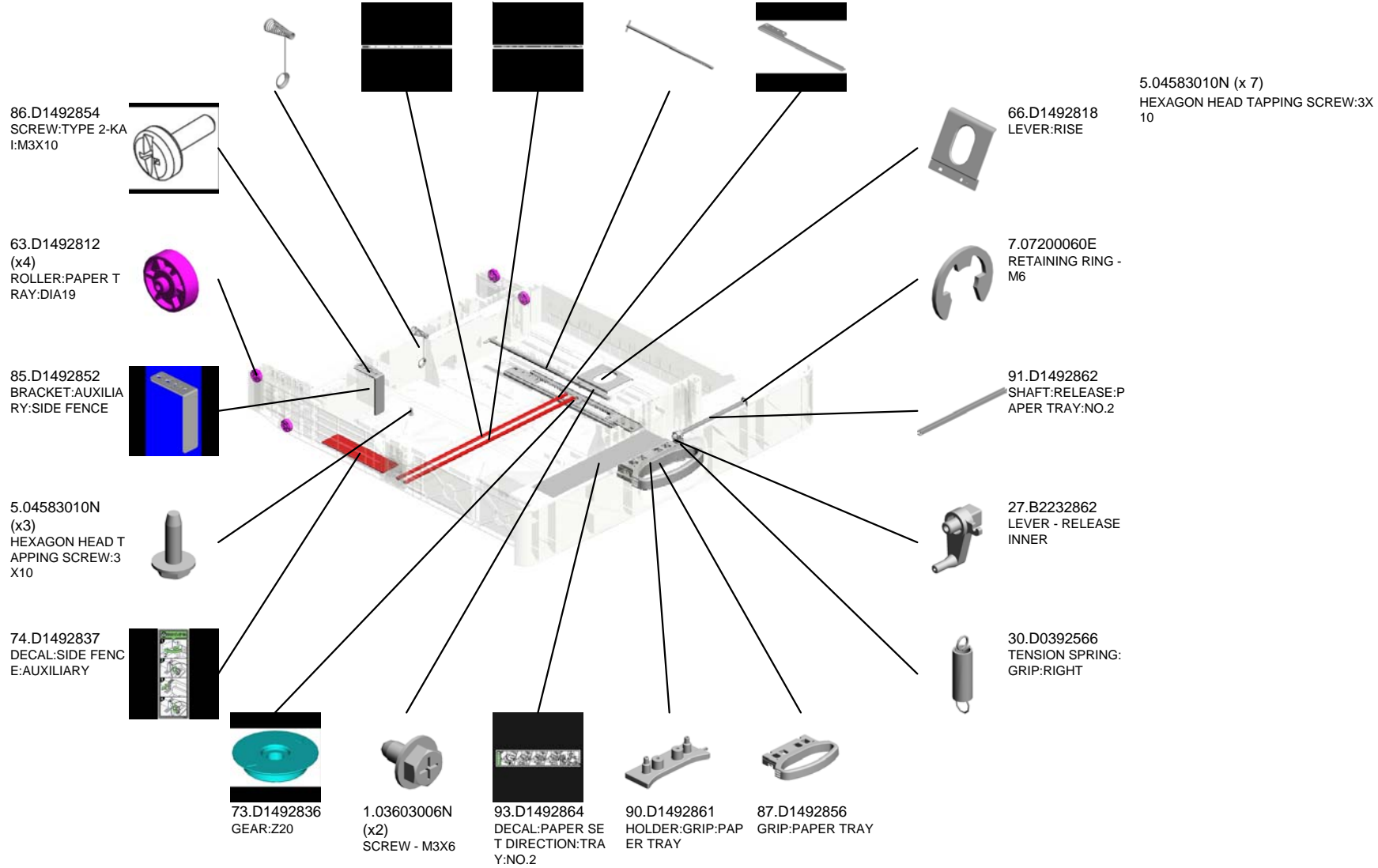
U001	U002	U003	U004	U005	U006	U007	U008	U009	U010	U011	U012	U013	U014	U015	U016
------	------	------	------	------	------	------	------	------	------	------	------	------	------	------	------

U004\_S015  
(C2011SP-TWN/-CHN/-EU/-AA):PAPER TRAY:NO.2:ASS'Y

- 64.D1492814 COIL SPRING:EAR TH
- 83.D1492849 DECAL:SIZE INDICATION:END FENCE:NO.2:REAR
- 82.D1492848 DECAL:SIZE INDICATION:END FENCE:NO.2:FRONT
- 65.D1492816 SHAFT:RISE:ASS'Y
- 72.D1492835 (x2) RACK:SIDE FENCE



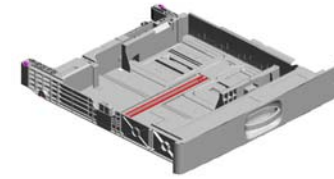
132.D2372814  
[A]  
(C2011SP-TWN/-CHN/-EU/-AA):PAPER TRAY:NO.2:ASS'Y  
201508-01 X/O



U001	U002	U003	U004	U005	U006	U007	U008	U009	U010	U011	U012	U013	U014	U015	U016
------	------	------	------	------	------	------	------	------	------	------	------	------	------	------	------

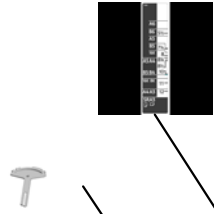
U004\_S015  
 (C2011SP-TWN/-CHN/-EU/-AA):PAPER TRAY:NO.2:ASS'Y

96.D1492869 119.D1752854  
 DECAL:SIZE INDICATION:SIDE FENCE:NO.2 TENSION SPRING:GRIP:LEFT



132.D2372814  
 [A]  
 (C2011SP-TWN/-CHN/-EU/-AA):PAPER TRAY:NO.2:ASS'Y  
 201508-01 X/O

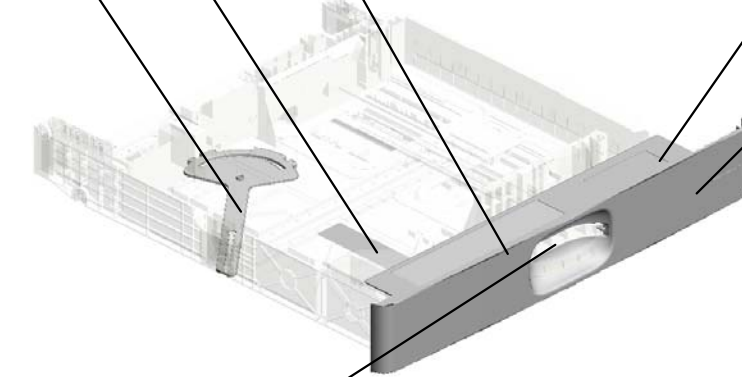
121.D1752872  
 LINK:END FENCE:PAPER SIZE SENSOR



120.D1752858  
 LEVER:RELEASE:PAPER TRAY:OUTER



131.D6932867  
 SUPPORTING PLATE:COVER:FRONT:PAPER TRAY  
 201507-09



95.D1472866  
 COVER:PAPER TRAY:NO.2  
 201507-01 O/O



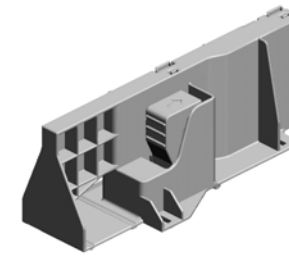
D2372812  
 [A]  
 (C2011SP-TWN/-CHN/-EU/-AA):PAPER TRAY:NO.2:ASS'Y  
 201508-01 X/O

U001	U002	U003	U004	U005	U006	U007	U008	U009	U010	U011	U012	U013	U014	U015	U016
------	------	------	------	------	------	------	------	------	------	------	------	------	------	------	------



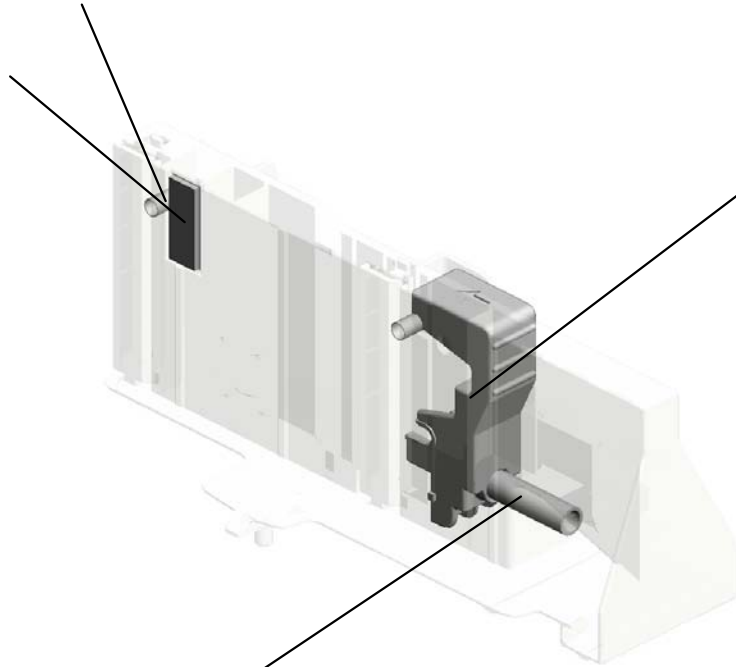
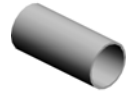
U004\_S015\_S001  
SIDE FENCE:FRONT:ASS'Y

68.D1492826  
(x2)  
COMPRESSION SP  
RING:SIDE FENCE:  
PLATE:FRONT



98.D1492878  
SIDE FENCE:FRON  
T:ASS'Y

28.B2342864  
PAD:CLEANER



67.D1492824  
LEVER:STOPPER:  
FRONT

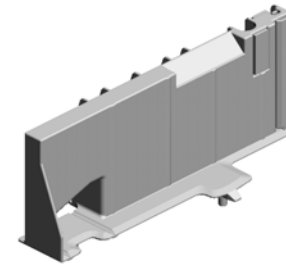


69.D1492827  
COMPRESSION SP  
RING:SIDE FENCE:  
POSITIONING

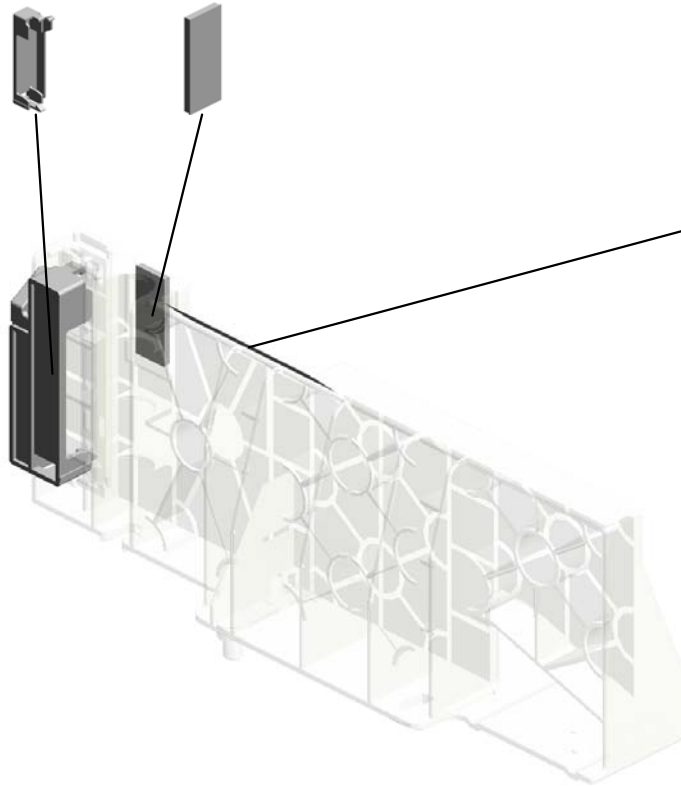
U001	U002	U003	U004	U005	U006	U007	U008	U009	U010	U011	U012	U013	U014	U015	U016
------	------	------	------	------	------	------	------	------	------	------	------	------	------	------	------

U004\_S015\_S002  
SIDE FENCE:REAR:ASS'Y

71.D1492834 28.B2342864  
GUIDE:FEELER:PA PAD:CLEANER  
PER END



99.D1492885  
SIDE FENCE:REAR  
:ASS'Y

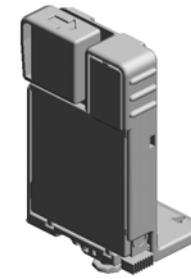


110.D1492952  
DECAL:SIDE FENC  
E:PAPER VOLUME

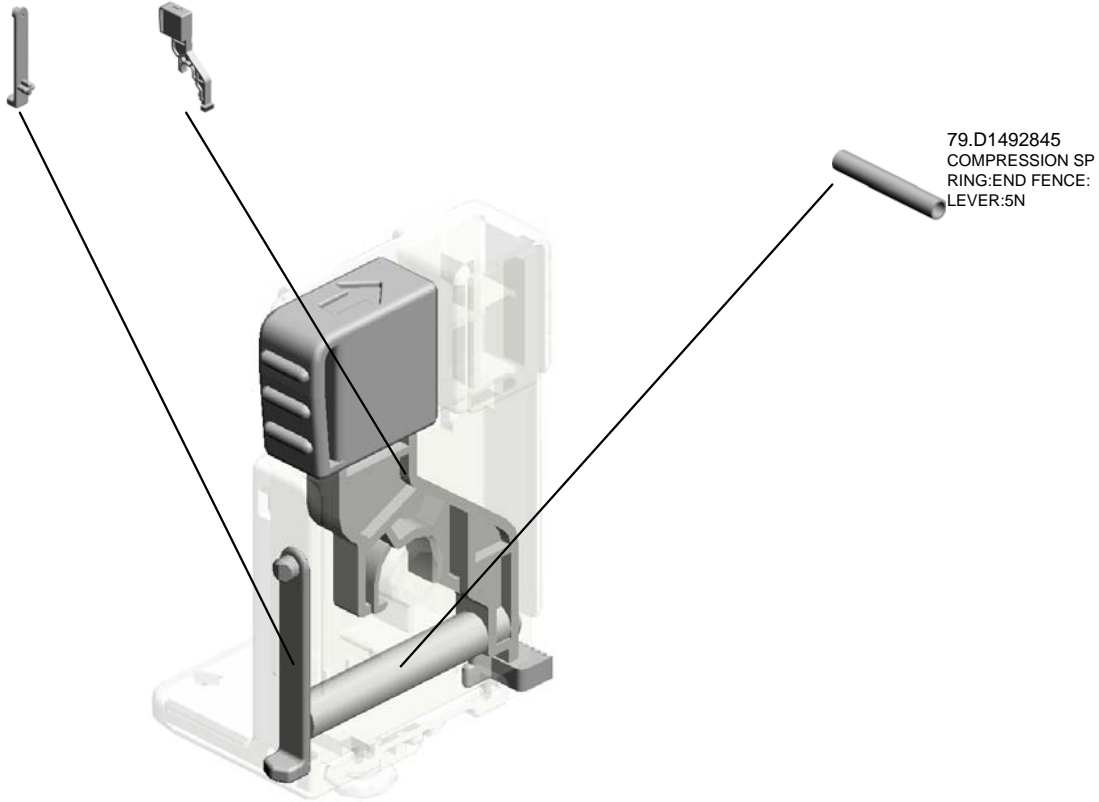
U001	U002	U003	<b>U004</b>	U005	U006	U007	U008	U009	U010	U011	U012	U013	U014	U015	U016
------	------	------	-------------	------	------	------	------	------	------	------	------	------	------	------	------

U004\_S015\_S003  
END FENCE:PAPER TRAY:ASS'Y

78.D1492843    77.D1492842  
CLICK:END FENCE    LEVER:END FENCE



76.D1492840  
END FENCE:PAPE  
R TRAY:ASS'Y



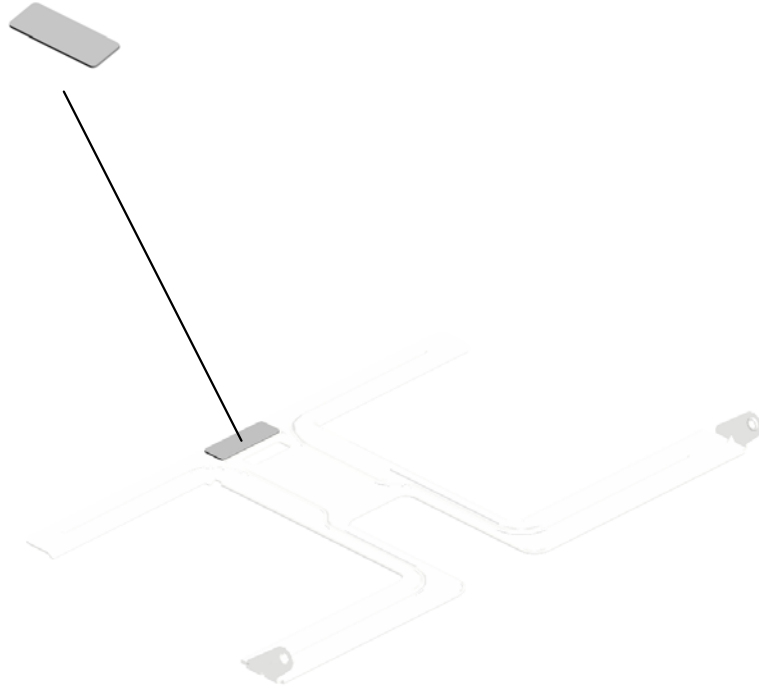
U001	U002	U003	U004	U005	U006	U007	U008	U009	U010	U011	U012	U013	U014	U015	U016
------	------	------	------	------	------	------	------	------	------	------	------	------	------	------	------

U004\_S015\_S004  
TRAY BOTTOM PLATE:NO.2:ASS'Y

19.AF013006  
BOTTOM PLATE P  
AD



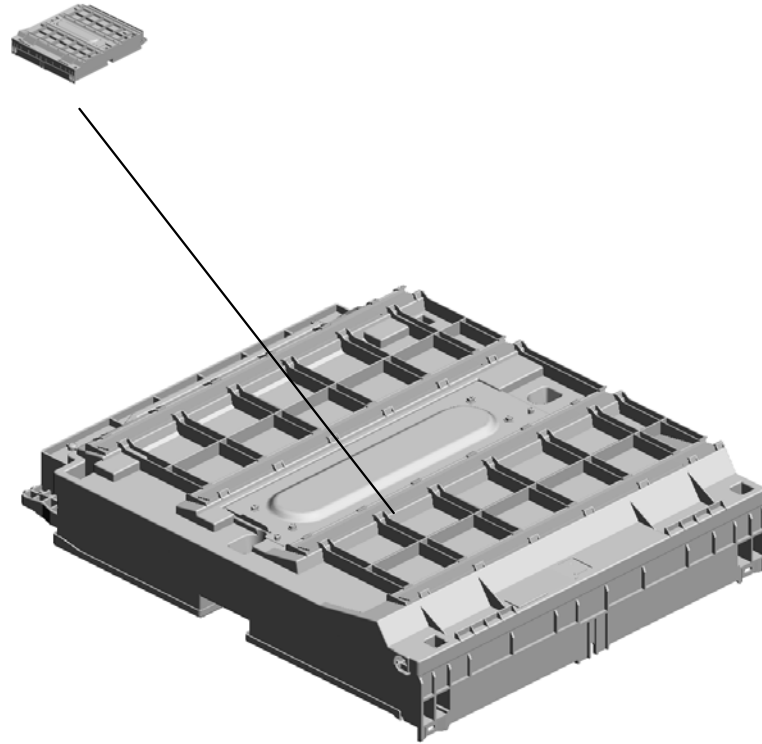
97.D1492873  
TRAY BOTTOM PL  
ATE:NO.2:ASS'Y



U001	U002	U003	U004	U005	U006	U007	U008	U009	U010	U011	U012	U013	U014	U015	U016
------	------	------	------	------	------	------	------	------	------	------	------	------	------	------	------

# U005.OPTICAL WRITING

U005\_S001  
D1471855  
OPTICAL WRITING SECTION  
:1LD:ASS'Y



U001	U002	U003	U004	U005	U006	U007	U008	U009	U010	U011	U012	U013	U014	U015	U016
------	------	------	------	------	------	------	------	------	------	------	------	------	------	------	------

U005  
OPTICAL WRITING



1.04543008Q (x 2)  
TAPPING SCREW:3X8

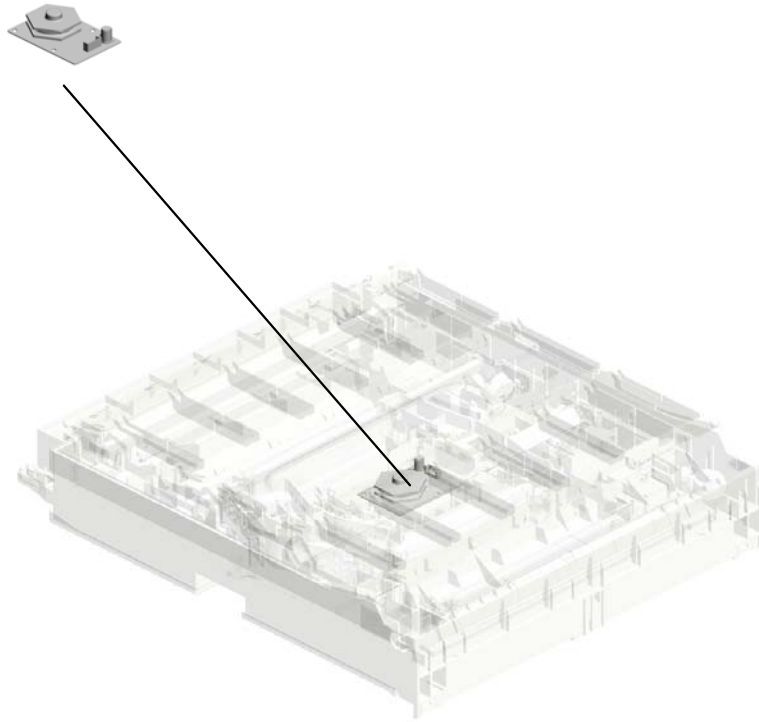
U001	U002	U003	U004	U005	U006	U007	U008	U009	U010	U011	U012	U013	U014	U015	U016
------	------	------	------	------	------	------	------	------	------	------	------	------	------	------	------

U005\_S001  
OPTICAL WRITING SECTION:1LD:ASS'Y

2.AX060419  
DC POLYGON MIR  
ROR MOTOR



3.D1471855  
OPTICAL WRITING  
SECTION:1LD:ASS  
Y



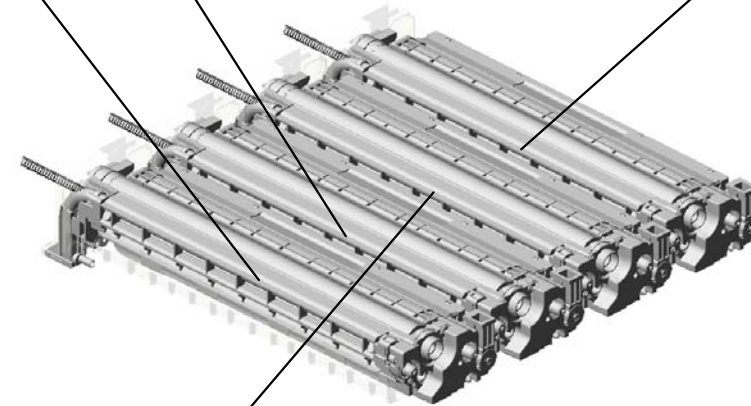
U001	U002	U003	U004	<b>U005</b>	U006	U007	U008	U009	U010	U011	U012	U013	U014	U015	U016
------	------	------	------	-------------	------	------	------	------	------	------	------	------	------	------	------

# U006.PROCESSES AROUND PHOTOCONDUCTOR

U006\_S002  
D1882209  
AIT:CYAN:SERVICE PARTS:E  
XP

U006\_S001  
D1882208  
AIT:BLACK:SERVICE PARTS:  
EXP

U006\_S004  
D1882211  
AIT:YELLOW:SERVICE PART  
S:EXP



U006\_S003  
D1882210  
AIT:MAGENTA:SERVICE PAR  
TS:EXP

U001	U002	U003	U004	U005	<b>U006</b>	U007	U008	U009	U010	U011	U012	U013	U014	U015	U016
------	------	------	------	------	-------------	------	------	------	------	------	------	------	------	------	------



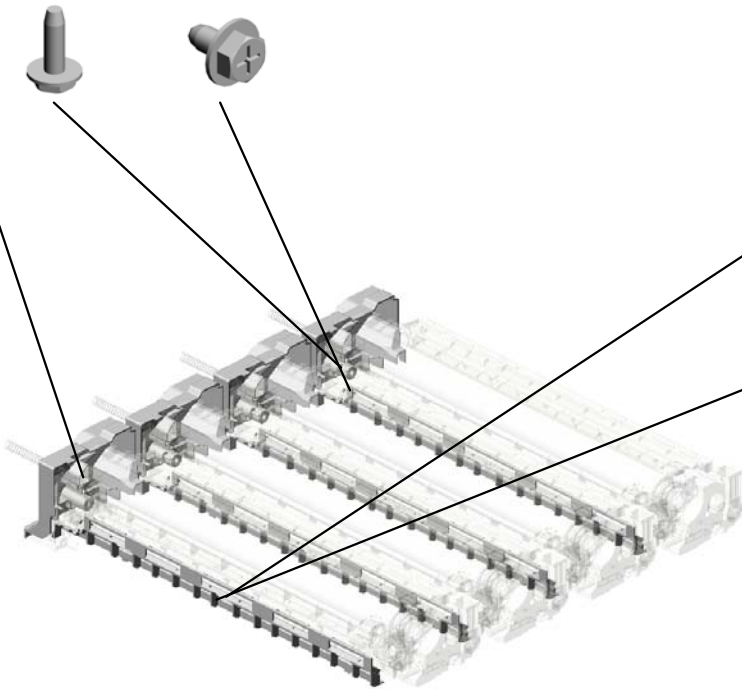
# U006 PROCESSES AROUND PHOTOCONDUCTOR

2.04583010N (x4)  
HEXAGON HEAD TAPPING SCREW:3 X10

1.03603006N (x4)  
SCREW - M3X6



6.D1472310 (x4)  
COVER:PCU:FRONT:30



5.D1472093 (x4)  
DISCHARGE LAMP  
LED ARRAY:30

4.D1472092 (x4)  
FRAME:DISCHARGE LAMP:30

U001	U002	U003	U004	U005	U006	U007	U008	U009	U010	U011	U012	U013	U014	U015	U016
------	------	------	------	------	------	------	------	------	------	------	------	------	------	------	------

U006\_S001  
AIT:BLACK:SERVICE PARTS:EXP

17.D1773025  
DEVELOPMENT UN  
IT:SERVICE PARTS  
:K

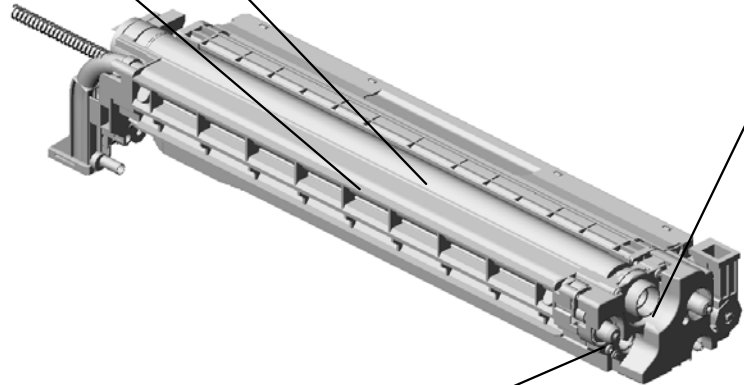


21.D1882208  
AIT:BLACK:SERVIC  
E PARTS:EXP

25.D1882254  
PCU:SERVICE PAR  
TS:EXP



7.D1473494  
COVER:PCU:REAR  
:ASS'Y



3.04593010N  
BINDING HEAD TA  
PPING SCREW:3X  
10



U001	U002	U003	U004	U005	<b>U006</b>	U007	U008	U009	U010	U011	U012	U013	U014	U015	U016
------	------	------	------	------	-------------	------	------	------	------	------	------	------	------	------	------

U006\_S002  
AIT:CYAN:SERVICE PARTS:EXP

18.D1773026  
DEVELOPMENT UN  
IT:SERVICE PARTS  
:C

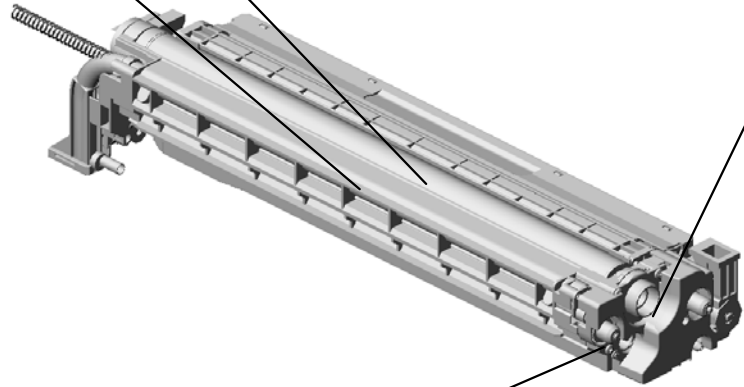


22.D1882209  
AIT:CYAN:SERVIC  
E PARTS:EXP

25.D1882254  
PCU:SERVICE PAR  
TS:EXP



7.D1473494  
COVER:PCU:REAR  
:ASS'Y



3.04593010N  
BINDING HEAD TA  
PPING SCREW:3X  
10

U001	U002	U003	U004	U005	<b>U006</b>	U007	U008	U009	U010	U011	U012	U013	U014	U015	U016
------	------	------	------	------	-------------	------	------	------	------	------	------	------	------	------	------

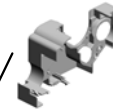
U006\_S003  
AIT:MAGENTA:SERVICE PARTS:EXP

19.D1773027  
DEVELOPMENT UN  
IT:SERVICE PARTS  
:M

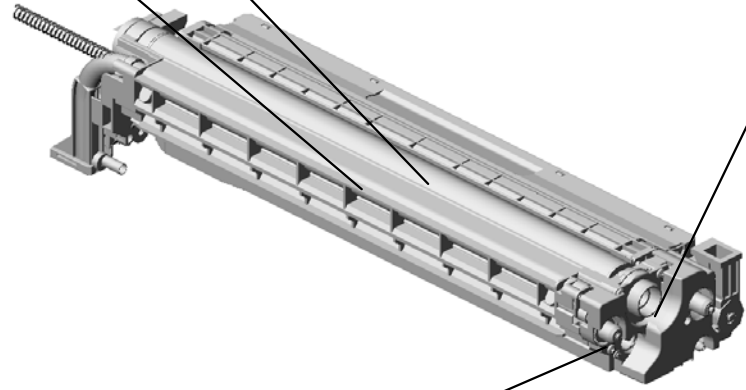


23.D1882210  
AIT:MAGENTA:SER  
VICE PARTS:EXP

25.D1882254  
PCU:SERVICE PAR  
TS:EXP



7.D1473494  
COVER:PCU:REAR  
:ASS'Y



3.04593010N  
BINDING HEAD TA  
PPING SCREW:3X  
10



U001	U002	U003	U004	U005	<b>U006</b>	U007	U008	U009	U010	U011	U012	U013	U014	U015	U016
------	------	------	------	------	-------------	------	------	------	------	------	------	------	------	------	------

20.D1773028  
DEVELOPMENT UN  
IT:SERVICE PARTS  
:Y

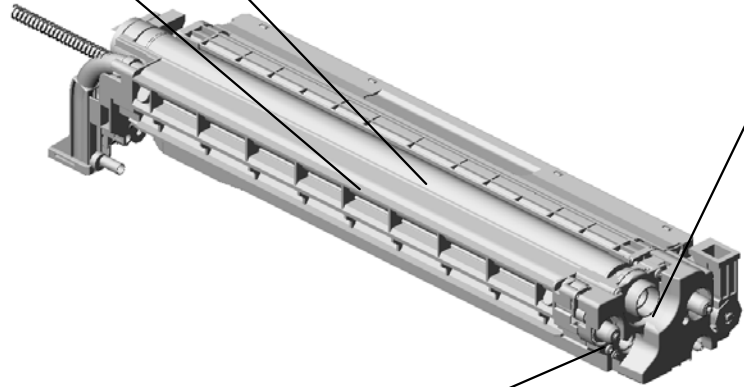


24.D1882211  
AIT:YELLOW:SERV  
ICE PARTS:EXP

25.D1882254  
PCU:SERVICE PAR  
TS:EXP



7.D1473494  
COVER:PCU:REAR  
:ASS'Y



3.04593010N  
BINDING HEAD TA  
PPING SCREW:3X  
10



U001	U002	U003	U004	U005	<b>U006</b>	U007	U008	U009	U010	U011	U012	U013	U014	U015	U016
------	------	------	------	------	-------------	------	------	------	------	------	------	------	------	------	------

# U007.TONER SUPPLY

U007\_S002  
D1473269  
DRIVE UNIT:TONER BOTTLE  
:ASS'Y

U007\_S012  
D1773286  
(D176/D177-NA,-EU,-AA,-TW  
N):TRANSPORT SCREW:NO  
ZZLE:CMY:ASS'Y

U007\_S001  
D1473269  
DRIVE UNIT:TONER BOTTLE  
:ASS'Y

U007\_S011  
D1773286  
(D176/D177-NA,-EU,-AA,-TW  
N):TRANSPORT SCREW:NO  
ZZLE:CMY:ASS'Y

U007\_S003  
D1473269  
DRIVE UNIT:TONER BOTTLE  
:ASS'Y

U007\_S008  
D1493310  
TONER HOPPER:TONER SU  
PPLY:Y:ASS'Y

U007\_S004  
D1473269  
DRIVE UNIT:TONER BOTTLE  
:ASS'Y

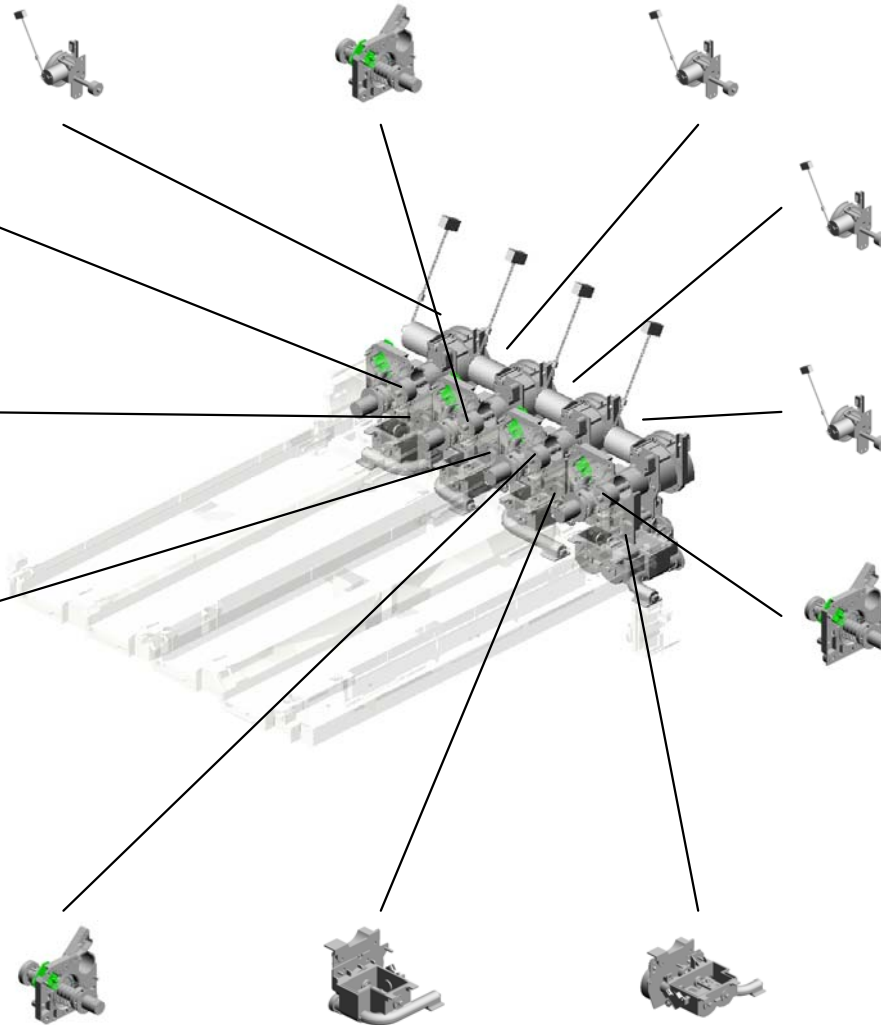
U007\_S007  
D1493280  
TONER HOPPER:TONER SU  
PPLY:M:ASS'Y

U007\_S009  
D1773275  
(D176/D177-NA,-EU,-AA,-TW  
N):TRANSPORT SCREW:NO  
ZZLE:XYZ:BK:ASS'Y

U007\_S010  
D1773286  
(D176/D177-NA,-EU,-AA,-TW  
N):TRANSPORT SCREW:NO  
ZZLE:CMY:ASS'Y

U007\_S006  
D1493270  
TONER HOPPER:TONER SU  
PPLY:C:ASS'Y

U007\_S005  
D1493240  
TONER HOPPER:TONER SU  
PPLY:BK:ASS'Y



U001	U002	U003	U004	U005	U006	U007	U008	U009	U010	U011	U012	U013	U014	U015	U016
------	------	------	------	------	------	------	------	------	------	------	------	------	------	------	------

# U007.TONER SUPPLY

U007\_S016  
D1773286  
(D176/D177-NA,-EU,-AA,-TW  
N):TRANSPORT SCREW:NO  
ZZLE:CMY:ASS'Y

U007\_S019  
D1773286  
(D176/D177-NA,-EU,-AA,-TW  
N):TRANSPORT SCREW:NO  
ZZLE:CMY:ASS'Y

U007\_S022  
D1773286  
(D176/D177-NA,-EU,-AA,-TW  
N):TRANSPORT SCREW:NO  
ZZLE:CMY:ASS'Y

U007\_S018  
D1773286  
(D176/D177-NA,-EU,-AA,-TW  
N):TRANSPORT SCREW:NO  
ZZLE:CMY:ASS'Y

U007\_S013  
D1773275  
(D176/D177-NA,-EU,-AA,-TW  
N):TRANSPORT SCREW:NO  
ZZLE:XYZ:BK:ASS'Y

U007\_S021  
D1773286  
(D176/D177-NA,-EU,-AA,-TW  
N):TRANSPORT SCREW:NO  
ZZLE:CMY:ASS'Y

U007\_S014  
D1773275  
(D176/D177-NA,-EU,-AA,-TW  
N):TRANSPORT SCREW:NO  
ZZLE:XYZ:BK:ASS'Y

U007\_S024  
D1773286  
(D176/D177-NA,-EU,-AA,-TW  
N):TRANSPORT SCREW:NO  
ZZLE:CMY:ASS'Y

U007\_S015  
D1773275  
(D176/D177-NA,-EU,-AA,-TW  
N):TRANSPORT SCREW:NO  
ZZLE:XYZ:BK:ASS'Y

U007\_S017  
D1773286  
(D176/D177-NA,-EU,-AA,-TW  
N):TRANSPORT SCREW:NO  
ZZLE:CMY:ASS'Y

U007\_S020  
D1773286  
(D176/D177-NA,-EU,-AA,-TW  
N):TRANSPORT SCREW:NO  
ZZLE:CMY:ASS'Y

U007\_S023  
D1773286  
(D176/D177-NA,-EU,-AA,-TW  
N):TRANSPORT SCREW:NO  
ZZLE:CMY:ASS'Y

U001	U002	U003	U004	U005	U006	U007	U008	U009	U010	U011	U012	U013	U014	U015	U016
------	------	------	------	------	------	------	------	------	------	------	------	------	------	------	------

# U007.TONER SUPPLY

U007\_S027  
D1473286  
TRANSPORT SCREW:NOZZL  
E:CMY:ASS'Y

U007\_S025  
D1473285  
(D237):(D176/D177-CHN):TRA  
NSPORT SCREW:NOZZLE:B  
K:ASS'Y

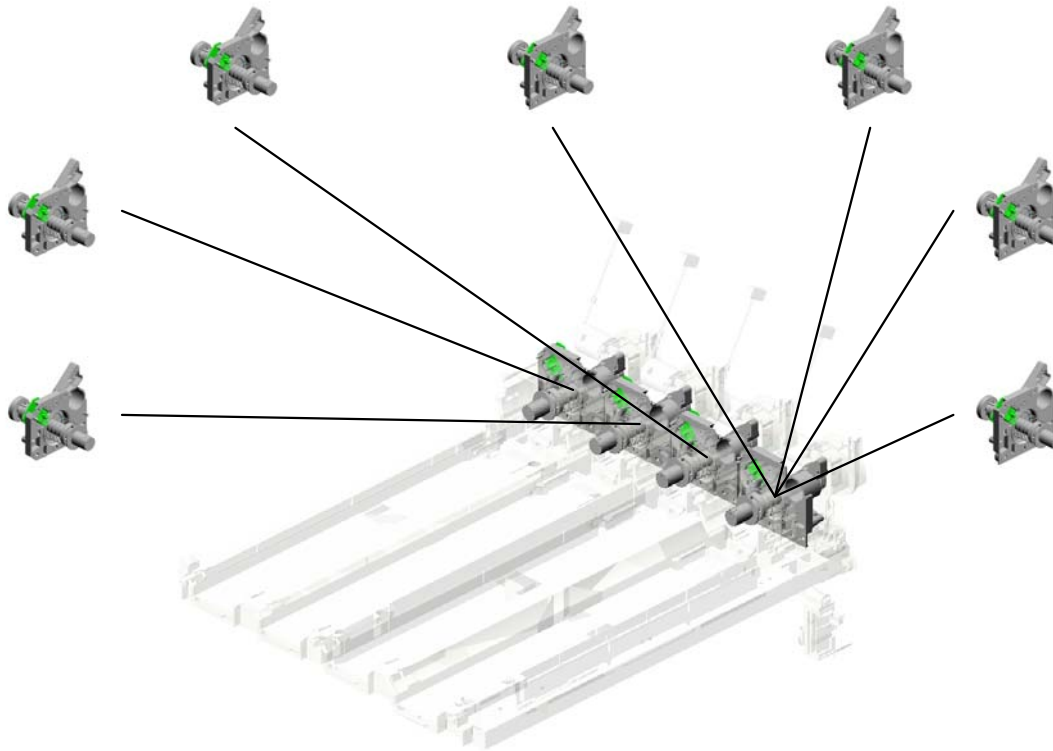
U007\_S029  
D1473285  
(D237):(D176/D177-CHN):TRA  
NSPORT SCREW:NOZZLE:B  
K:ASS'Y

U007\_S028  
D1473286  
TRANSPORT SCREW:NOZZL  
E:CMY:ASS'Y

U007\_S030  
D1473285  
(D237):(D176/D177-CHN):TRA  
NSPORT SCREW:NOZZLE:B  
K:ASS'Y

U007\_S026  
D1473286  
TRANSPORT SCREW:NOZZL  
E:CMY:ASS'Y

U007\_S031  
D1473285  
(D237):(D176/D177-CHN):TRA  
NSPORT SCREW:NOZZLE:B  
K:ASS'Y





# U007 TONER SUPPLY



- 3.04583008N (x33) HEXAGON HEAD TAPPING SCREW:3X8
- 29.D1495174 (x9) (D237):(D176/D177-CHN):PCB:TCB
- 6.11050488 HARNESS CLAMP
- 16.D1473282 (x3) HOUSING:TONER CARTRIDGE:CMY: ASSY

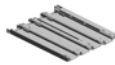
26.D1493331  
COVER:GEAR:TONER SUPPLY SUB-UNIT



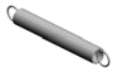
8.11050760 (x3) CLAMP:LWSM-051A



21.D1493307  
BASE:TONER SUPPLY



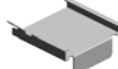
11.B2233241 (x4) SPRING:SHUTTER:PUMP UNIT



23.D1493321 (x4) DUCT:VERTICAL TRANSPORT:TONER SUPPLY



24.D1493322 (x4) SHUTTER:DUCT:TONER SUPPLY



27.D1493336  
COVER:GEAR:TONER SUPPLY SUB-UNIT:C



15.D1473281  
HOUSING:TONER CARTRIDGE:BK:ASSY



25.D1493330 (x4) SEAL:CONNECTOR:CARTRIDGE:TONER SUPPLY



2.04543008Q (x8) TAPPING SCREW:3X8



U007\_S001  
DRIVE UNIT:TONER BOTTLE:ASS'Y

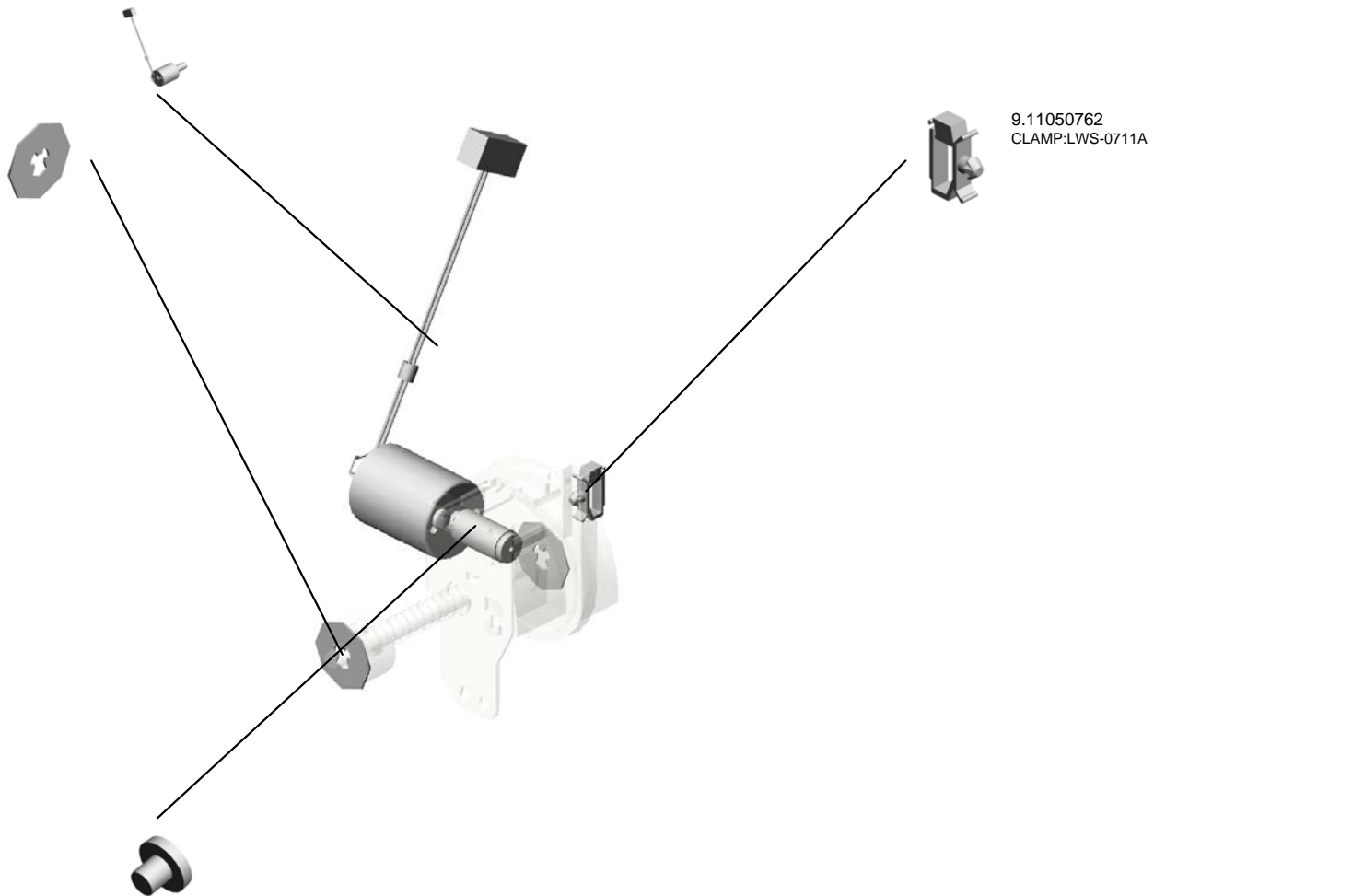
17.D1493210  
DC MOTOR: TONE  
R BOTTLE: ASS'Y:5.  
28W: BRUSH

12.D1473269  
DRIVE UNIT: TONE  
R BOTTLE: ASS'Y

5.07200040E  
(x2)  
RETAINING RING -  
M4

9.11050762  
CLAMP: LWS-0711A

1.03530030N  
(x2)  
SCREW: M3X3



U001	U002	U003	U004	U005	U006	U007	U008	U009	U010	U011	U012	U013	U014	U015	U016
------	------	------	------	------	------	------	------	------	------	------	------	------	------	------	------

U007\_S002  
DRIVE UNIT:TONER BOTTLE:ASS'Y

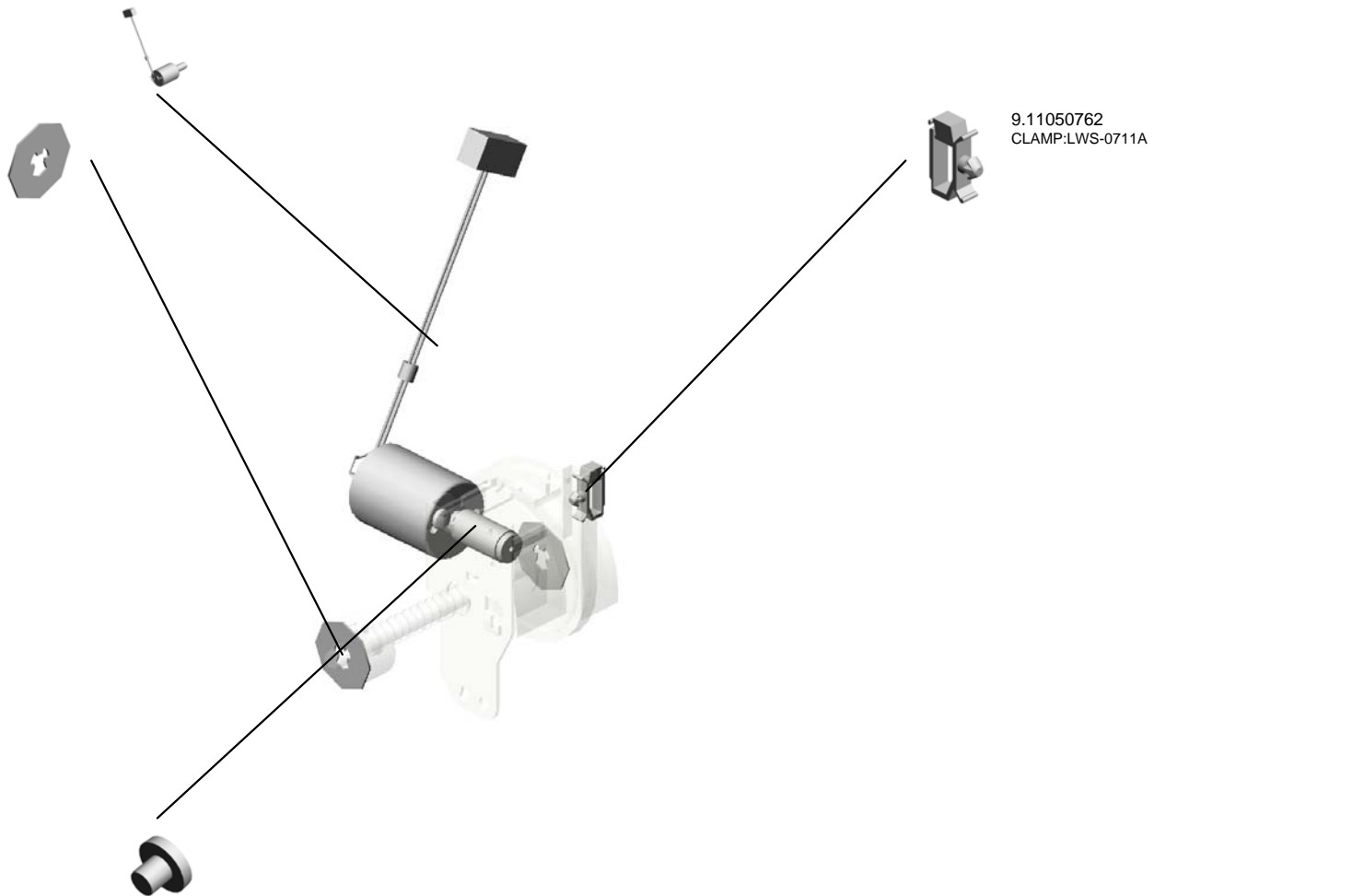
17.D1493210  
DC MOTOR:TONE  
R BOTTLE:ASS'Y:5.  
28W:BRUSH

12.D1473269  
DRIVE UNIT:TONE  
R BOTTLE:ASS'Y

5.07200040E  
(x2)  
RETAINING RING -  
M4

9.11050762  
CLAMP:LWS-0711A

1.03530030N  
(x2)  
SCREW:M3X3



U001	U002	U003	U004	U005	U006	U007	U008	U009	U010	U011	U012	U013	U014	U015	U016
------	------	------	------	------	------	------	------	------	------	------	------	------	------	------	------

U007\_S003  
DRIVE UNIT:TONER BOTTLE:ASS'Y

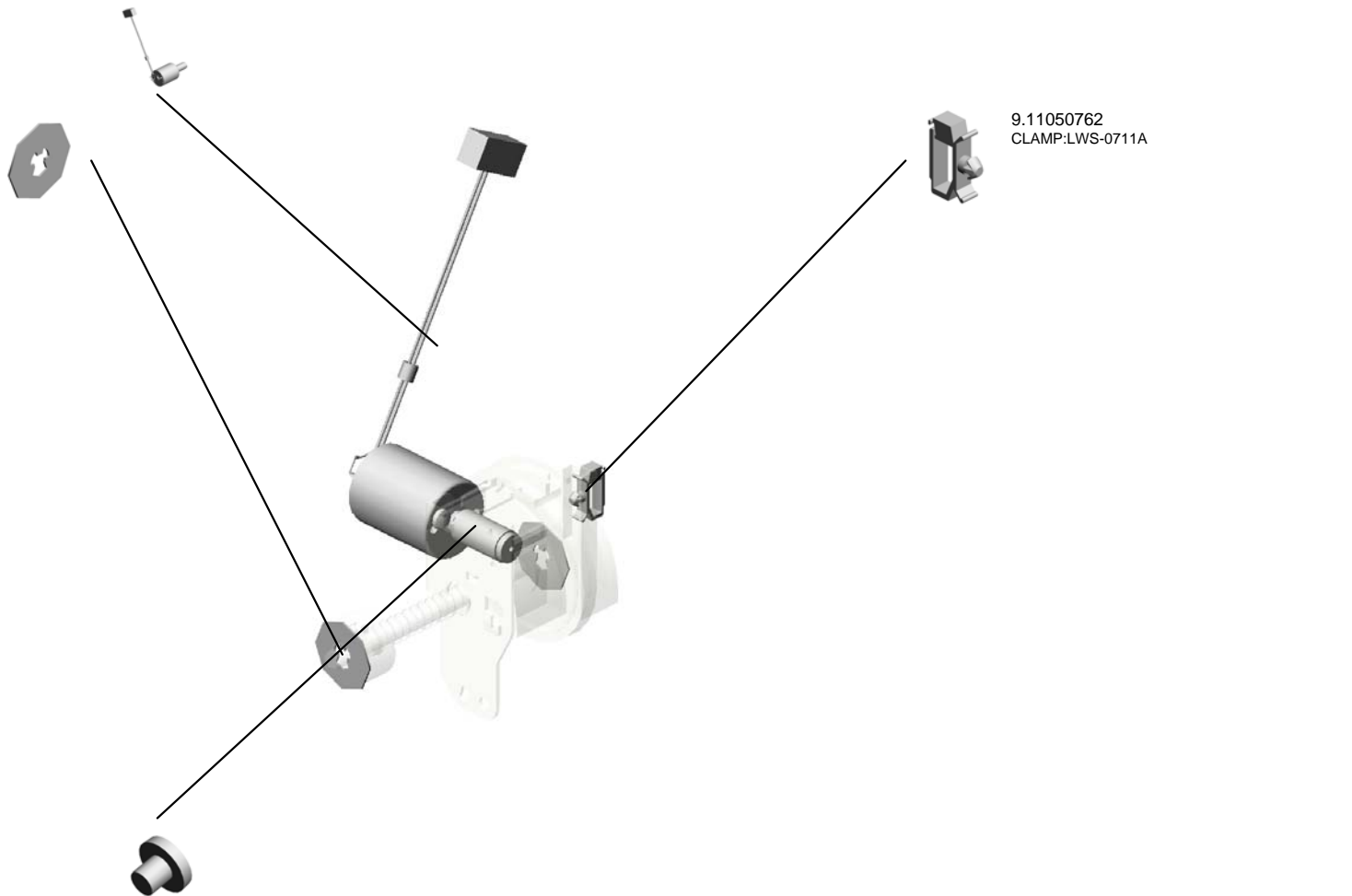
17.D1493210  
DC MOTOR:TONE  
R BOTTLE:ASS'Y:5.  
28W:BRUSH

12.D1473269  
DRIVE UNIT:TONE  
R BOTTLE:ASS'Y

5.07200040E  
(x2)  
RETAINING RING -  
M4

9.11050762  
CLAMP:LWS-0711A

1.03530030N  
(x2)  
SCREW:M3X3



U001	U002	U003	U004	U005	U006	U007	U008	U009	U010	U011	U012	U013	U014	U015	U016
------	------	------	------	------	------	------	------	------	------	------	------	------	------	------	------

U007\_S004  
DRIVE UNIT:TONER BOTTLE:ASS'Y

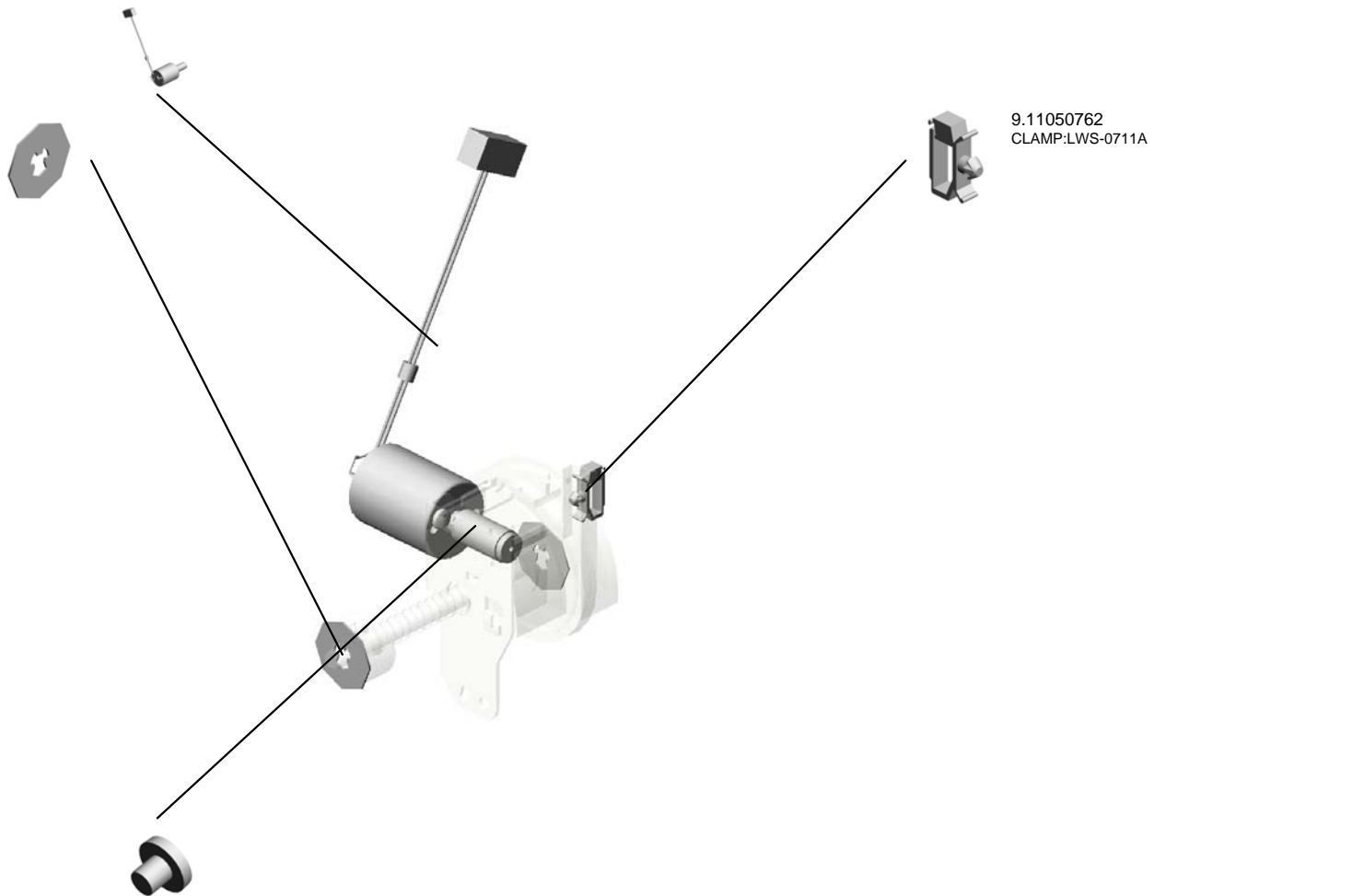
17.D1493210  
DC MOTOR:TONE  
R BOTTLE:ASS'Y:5.  
28W:BRUSH

12.D1473269  
DRIVE UNIT:TONE  
R BOTTLE:ASS'Y

5.07200040E  
(x2)  
RETAINING RING -  
M4

9.11050762  
CLAMP:LWS-0711A

1.03530030N  
(x2)  
SCREW:M3X3



U001	U002	U003	U004	U005	U006	U007	U008	U009	U010	U011	U012	U013	U014	U015	U016
------	------	------	------	------	------	------	------	------	------	------	------	------	------	------	------

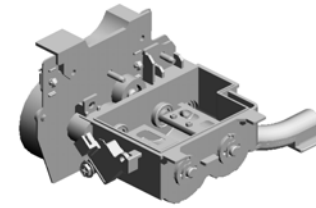
U007\_S005

TONER HOPPER:TONER SUPPLY:BK:ASS'Y

3.04583008N  
HEXAGON HEAD T  
APPING SCREW:3  
X8

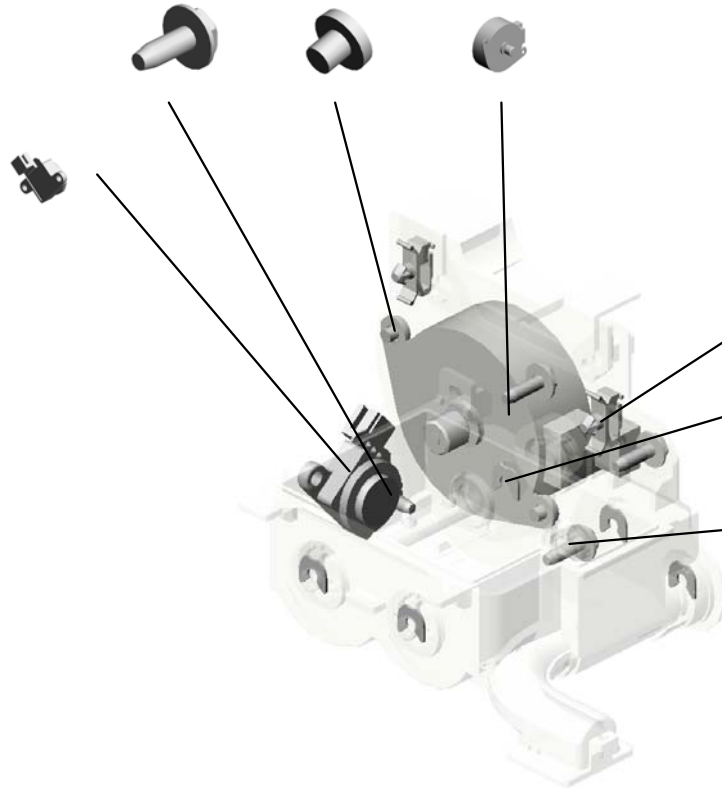
1.03530030N  
(x2)  
SCREW:M3X3

28.D1493350  
DC STEPPER MOT  
OR:TONER SUPPL  
Y



18.D1493240  
TONER HOPPER:T  
ONER SUPPLY:BK:  
ASS'Y

34.GW230008  
TONER END SENS  
OR



7.11050758  
(x2)  
CLAMP:LWSM-030  
6A

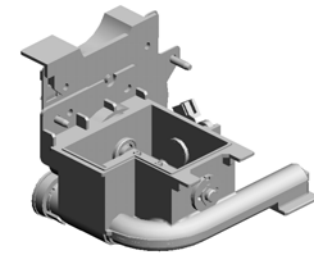
35.08050103  
(x5)  
RETAINING RINGS  
-E:SILENCER:DIA3

4.04583010N  
(x3)  
HEXAGON HEAD T  
APPING SCREW:3  
X10

U001	U002	U003	U004	U005	U006	U007	U008	U009	U010	U011	U012	U013	U014	U015	U016
------	------	------	------	------	------	------	------	------	------	------	------	------	------	------	------

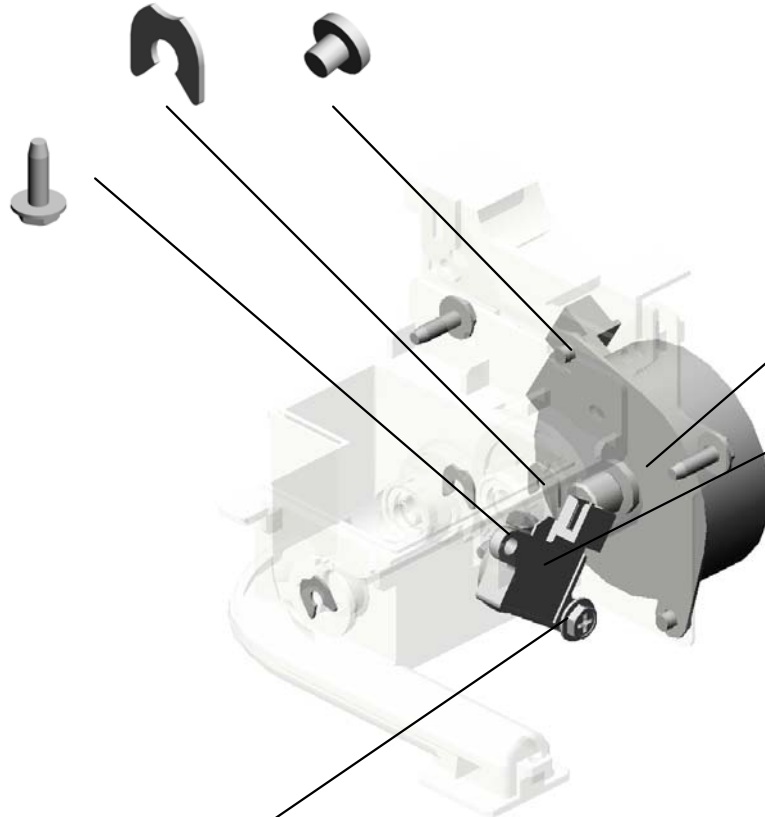
U007\_S006  
 TONER HOPPER:TONER SUPPLY:C:ASS'Y

35.08050103 1.03530030N  
 (x3) (x2)  
 RETAINING RINGS SCREW:M3X3  
 -E:SILENCER:DIA3



19.D1493270  
 TONER HOPPER:T  
 ONER SUPPLY:C:A  
 SS'Y

4.04583010N  
 (x3)  
 HEXAGON HEAD T  
 APPING SCREW:3  
 X10



28.D1493350  
 DC STEPPER MOT  
 OR:TONER SUPPL  
 Y

34.GW230008  
 TONER END SENS  
 OR

3.04583008N  
 HEXAGON HEAD T  
 APPING SCREW:3  
 X8

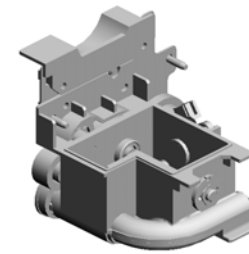
U001	U002	U003	U004	U005	U006	U007	U008	U009	U010	U011	U012	U013	U014	U015	U016
------	------	------	------	------	------	------	------	------	------	------	------	------	------	------	------

U007\_S007  
 TONER HOPPER:TONER SUPPLY:M:ASS'Y

4.04583010N (x3)  
 HEXAGON HEAD TAPPING SCREW:3X10

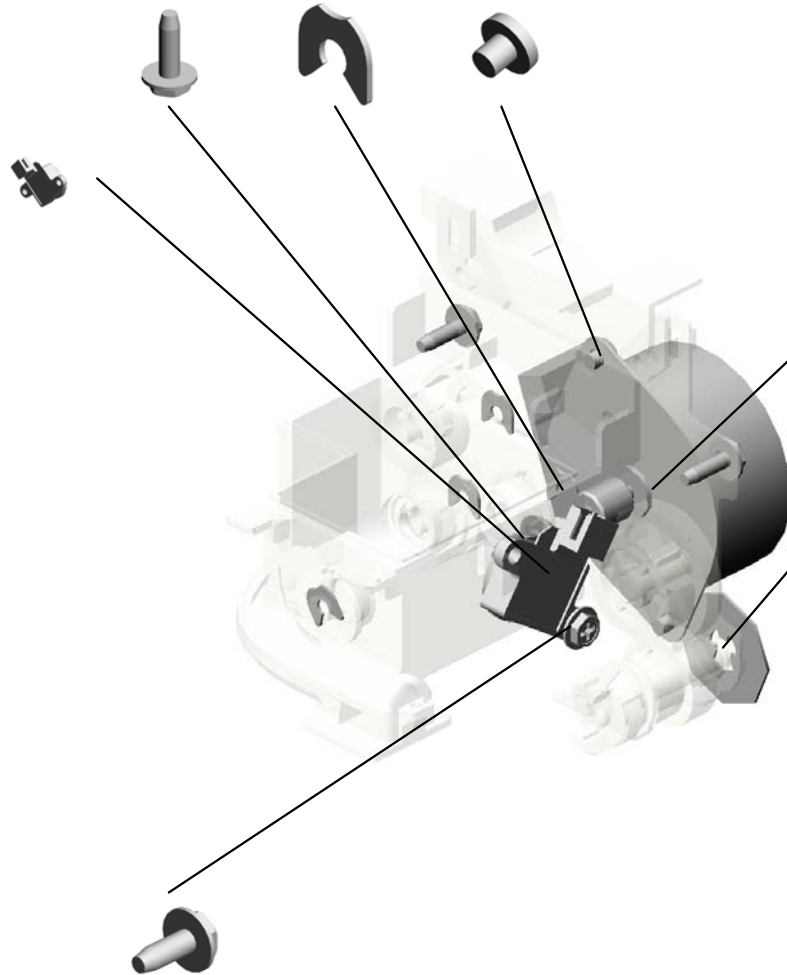
35.08050103 (x4)  
 RETAINING RINGS -E:SILENCER:DIA3

1.03530030N (x2)  
 SCREW:M3X3



20.D1493280  
 TONER HOPPER:TONER SUPPLY:M:ASS'Y

34.GW230008  
 TONER END SENSOR



30.D1496318  
 DC STEPPER MOTOR:ON-OFF

5.07200040E  
 RETAINING RING - M4

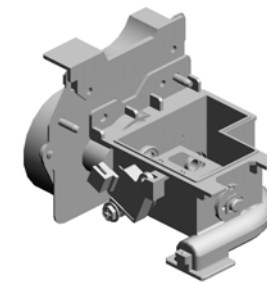
3.04583008N  
 HEXAGON HEAD TAPPING SCREW:3X8

U001	U002	U003	U004	U005	U006	U007	U008	U009	U010	U011	U012	U013	U014	U015	U016
------	------	------	------	------	------	------	------	------	------	------	------	------	------	------	------



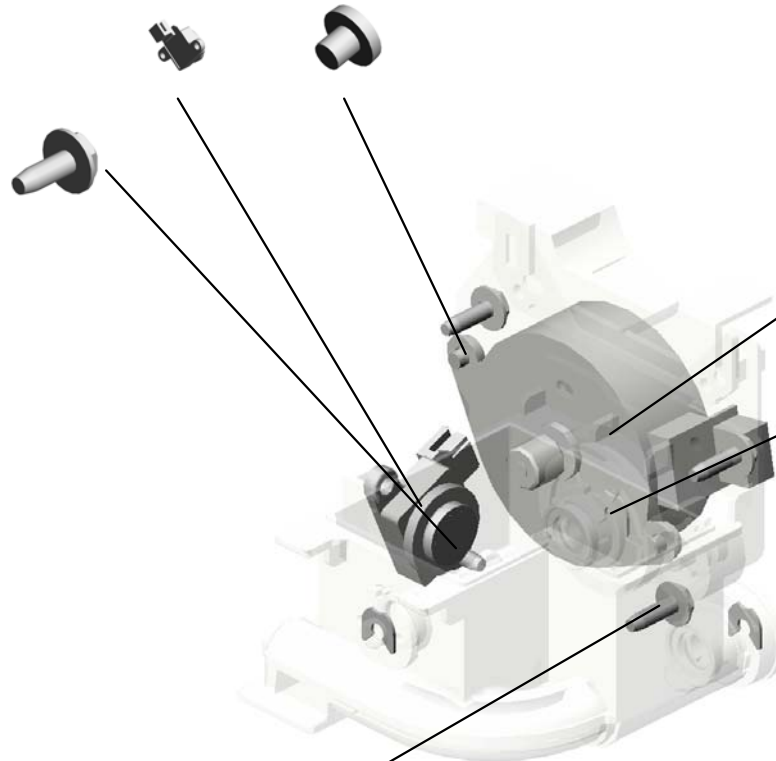
U007\_S008  
 TONER HOPPER:TONER SUPPLY:Y:ASS'Y

34.GW230008 1.03530030N  
 TONER END SENS (x2)  
 OR SCREW:M3X3



22.D1493310  
 TONER HOPPER:T  
 ONER SUPPLY:Y:A  
 SS'Y

3.04583008N  
 HEXAGON HEAD T  
 APPING SCREW:3  
 X8



28.D1493350  
 DC STEPPER MOT  
 OR:TONER SUPPL  
 Y

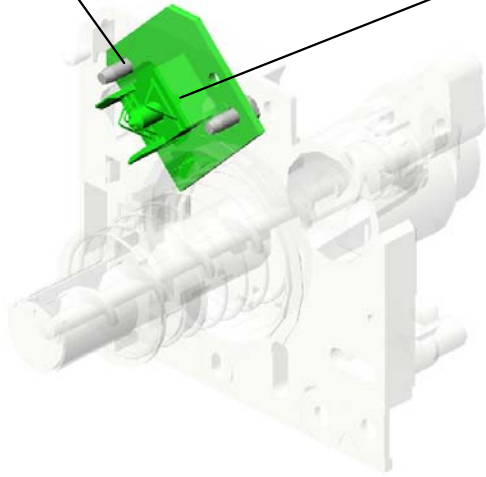
35.08050103  
 (x3)  
 RETAINING RINGS  
 -E:SILENCER:DI3

4.04583010N  
 (x3)  
 HEXAGON HEAD T  
 APPING SCREW:3  
 X10

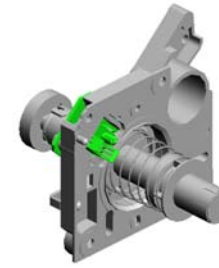
U001	U002	U003	U004	U005	U006	U007	U008	U009	U010	U011	U012	U013	U014	U015	U016
------	------	------	------	------	------	------	------	------	------	------	------	------	------	------	------

U007\_S009  
(D176/D177-NA,-EU,-AA,-TWN):TRANSPORT SCREW:NOZZLE:XYZ:BK:ASS'Y

3.04583008N  
(x2)  
HEXAGON HEAD TAPPING SCREW:3X8



33.D1775172  
(D176/D177-NA,-EU,-AA,-TWN):PCB:TCB

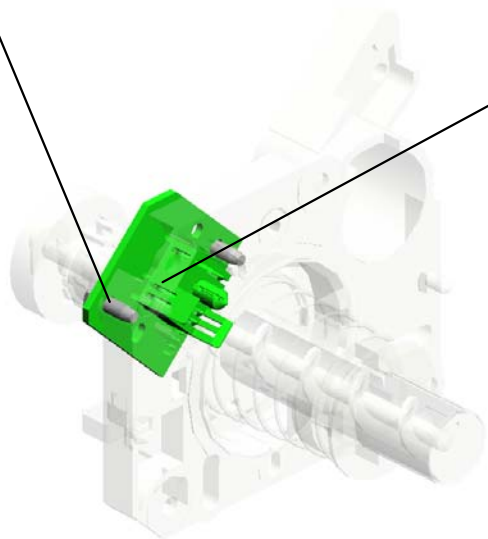


31.D1773275  
(D176/D177-NA,-EU,-AA,-TWN):TRANSPORT SCREW:NOZZLE:XYZ:BK:ASS'Y

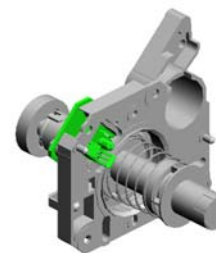
U001	U002	U003	U004	U005	U006	U007	U008	U009	U010	U011	U012	U013	U014	U015	U016
------	------	------	------	------	------	------	------	------	------	------	------	------	------	------	------

U007\_S010  
(D176/D177-NA,-EU,-AA,-TWN):TRANSPORT SCREW:NOZZLE:CMY:ASS'Y

3.04583008N  
(x2)  
HEXAGON HEAD TAPPING SCREW:3  
X8



33.D1775172  
(D176/D177-NA,-EU  
-AA,-TWN):PCB:TC  
B



32.D1773286  
[A]  
(D176/D177-NA,-EU  
-AA,-TWN):TRANS  
PORT SCREW:NO  
ZZLE:CMY:ASS'Y  
201511-12 O/O

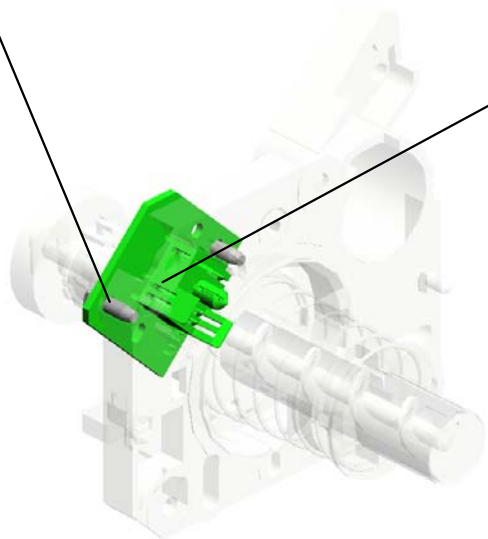


D1773276  
[A]  
(D176/D177-NA,-EU  
-AA,-TWN):TRANS  
PORT SCREW:NO  
ZZLE:XYZ:CMY:AS  
201511-12 O/O

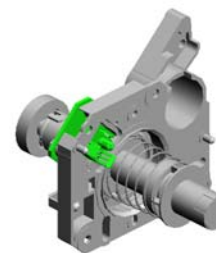
U001	U002	U003	U004	U005	U006	U007	U008	U009	U010	U011	U012	U013	U014	U015	U016
------	------	------	------	------	------	------	------	------	------	------	------	------	------	------	------

U007\_S011  
(D176/D177-NA,-EU,-AA,-TWN):TRANSPORT SCREW:NOZZLE:CMY:ASS'Y

3.04583008N  
(x2)  
HEXAGON HEAD TAPPING SCREW:3  
X8



33.D1775172  
(D176/D177-NA,-EU  
-AA,-TWN):PCB:TC  
B



32.D1773286  
[A]  
(D176/D177-NA,-EU  
-AA,-TWN):TRANS  
PORT SCREW:NO  
ZZLE:CMY:ASS'Y  
201511-12 O/O

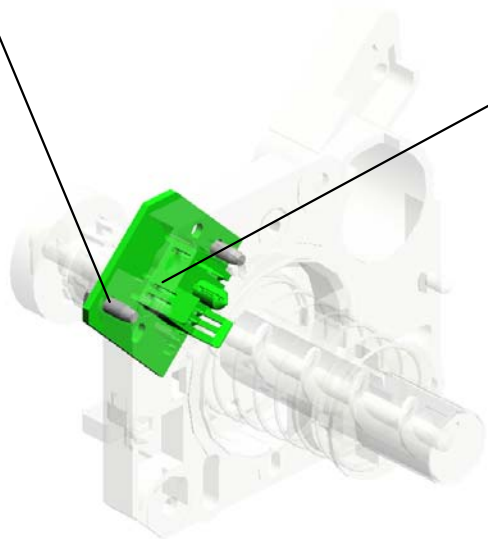


D1773276  
[A]  
(D176/D177-NA,-EU  
-AA,-TWN):TRANS  
PORT SCREW:NO  
ZZLE:XYZ:CMY:AS  
201511-12 O/O

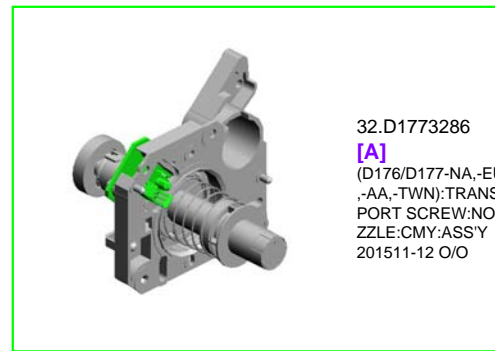
U001	U002	U003	U004	U005	U006	U007	U008	U009	U010	U011	U012	U013	U014	U015	U016
------	------	------	------	------	------	------	------	------	------	------	------	------	------	------	------

U007\_S012  
(D176/D177-NA,-EU,-AA,-TWN):TRANSPORT SCREW:NOZZLE:CMY:ASS'Y

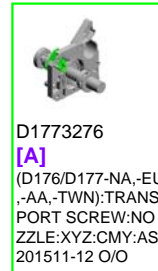
3.04583008N  
(x2)  
HEXAGON HEAD TAPPING SCREW:3  
X8



33.D1775172  
(D176/D177-NA,-EU  
-AA,-TWN):PCB:TC  
B



32.D1773286  
[A]  
(D176/D177-NA,-EU  
-AA,-TWN):TRANS  
PORT SCREW:NO  
ZZLE:CMY:ASS'Y  
201511-12 O/O

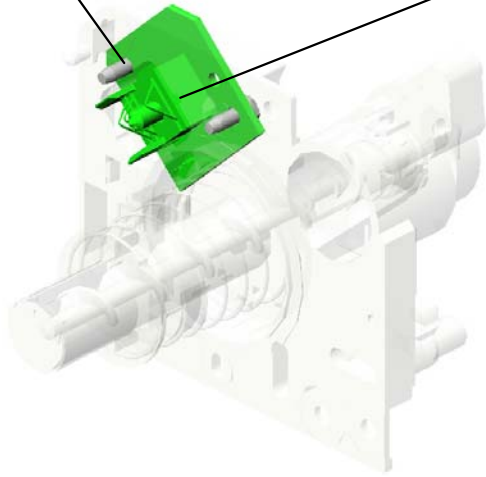


D1773276  
[A]  
(D176/D177-NA,-EU  
-AA,-TWN):TRANS  
PORT SCREW:NO  
ZZLE:XYZ:CMY:AS  
201511-12 O/O

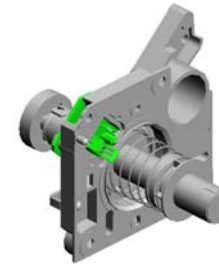
U001	U002	U003	U004	U005	U006	U007	U008	U009	U010	U011	U012	U013	U014	U015	U016
------	------	------	------	------	------	------	------	------	------	------	------	------	------	------	------

U007\_S013  
(D176/D177-NA,-EU,-AA,-TWN):TRANSPORT SCREW:NOZZLE:XYZ:BK:ASS'Y

3.04583008N  
(x2)  
HEXAGON HEAD TAPPING SCREW:3  
X8



33.D1775172  
(D176/D177-NA,-EU  
-AA,-TWN):PCB:TC  
B

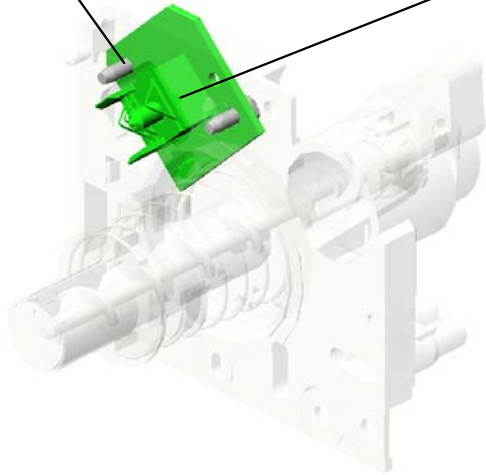


31.D1773275  
(D176/D177-NA,-EU  
-AA,-TWN):TRANS  
PORT SCREW:NO  
ZZLE:XYZ:BK:ASS'  
Y

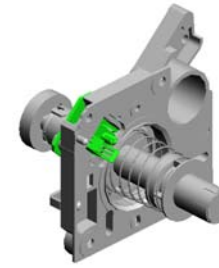
U001	U002	U003	U004	U005	U006	U007	U008	U009	U010	U011	U012	U013	U014	U015	U016
------	------	------	------	------	------	------	------	------	------	------	------	------	------	------	------

U007\_S014  
(D176/D177-NA,-EU,-AA,-TWN):TRANSPORT SCREW:NOZZLE:XYZ:BK:ASS'Y

3.04583008N  
(x2)  
HEXAGON HEAD TAPPING SCREW:3X8



33.D1775172  
(D176/D177-NA,-EU,-AA,-TWN):PCB:TCB

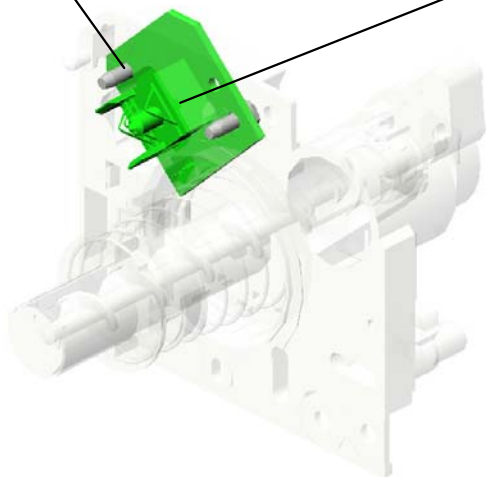


31.D1773275  
(D176/D177-NA,-EU,-AA,-TWN):TRANSPORT SCREW:NOZZLE:XYZ:BK:ASS'Y

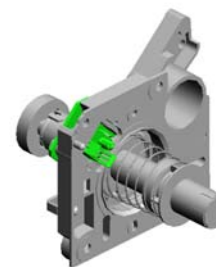
U001	U002	U003	U004	U005	U006	U007	U008	U009	U010	U011	U012	U013	U014	U015	U016
------	------	------	------	------	------	------	------	------	------	------	------	------	------	------	------

U007\_S015  
(D176/D177-NA,-EU,-AA,-TWN):TRANSPORT SCREW:NOZZLE:XYZ:BK:ASS'Y

3.04583008N  
(x2)  
HEXAGON HEAD TAPPING SCREW:3  
X8



33.D1775172  
(D176/D177-NA,-EU  
-AA,-TWN):PCB:TC  
B



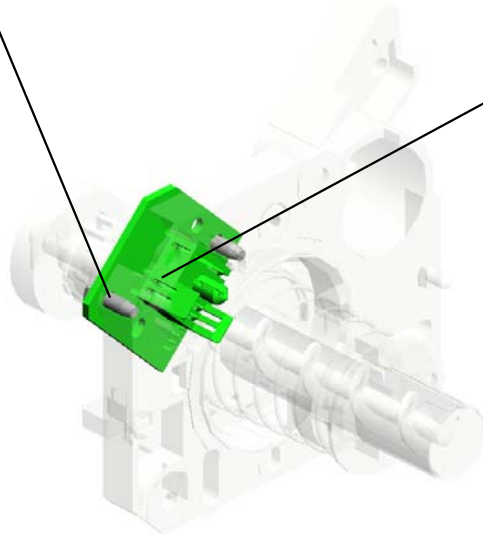
31.D1773275  
(D176/D177-NA,-EU  
-AA,-TWN):TRANS  
PORT SCREW:NO  
ZZLE:XYZ:BK:ASS'  
Y

U001	U002	U003	U004	U005	U006	U007	U008	U009	U010	U011	U012	U013	U014	U015	U016
------	------	------	------	------	------	------	------	------	------	------	------	------	------	------	------

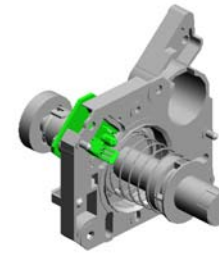


U007\_S016  
(D176/D177-NA,-EU,-AA,-TWN):TRANSPORT SCREW:NOZZLE:CMY:ASS'Y

3.04583008N  
(x2)  
HEXAGON HEAD TAPPING SCREW:3  
X8



33.D1775172  
(D176/D177-NA,-EU  
-AA,-TWN):PCB:TC  
B



32.D1773286  
[A]  
(D176/D177-NA,-EU  
-AA,-TWN):TRANS  
PORT SCREW:NO  
ZZLE:CMY:ASS'Y  
201511-12 O/O

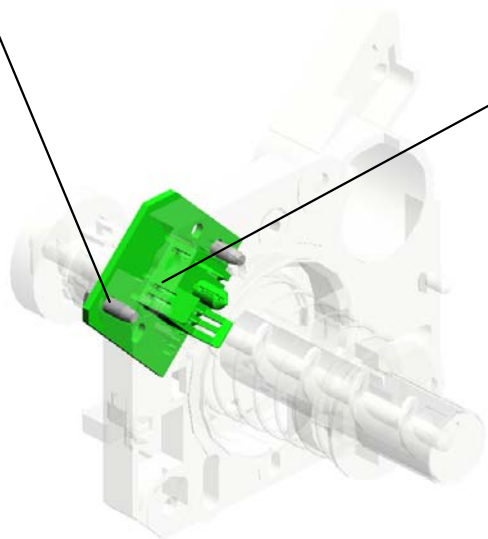


D1773276  
[A]  
(D176/D177-NA,-EU  
-AA,-TWN):TRANS  
PORT SCREW:NO  
ZZLE:XYZ:CMY:AS  
201511-12 O/O

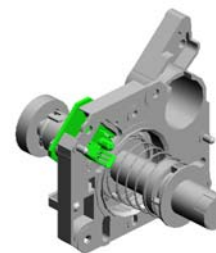
U001	U002	U003	U004	U005	U006	U007	U008	U009	U010	U011	U012	U013	U014	U015	U016
------	------	------	------	------	------	------	------	------	------	------	------	------	------	------	------

U007\_S017  
(D176/D177-NA,-EU,-AA,-TWN):TRANSPORT SCREW:NOZZLE:CMY:ASS'Y

3.04583008N  
(x2)  
HEXAGON HEAD TAPPING SCREW:3  
X8



33.D1775172  
(D176/D177-NA,-EU  
-AA,-TWN):PCB:TC  
B



32.D1773286  
[A]  
(D176/D177-NA,-EU  
-AA,-TWN):TRANS  
PORT SCREW:NO  
ZZLE:CMY:ASS'Y  
201511-12 O/O

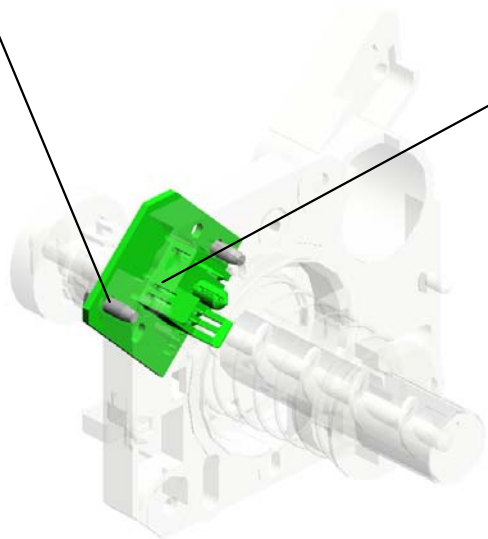


D1773276  
[A]  
(D176/D177-NA,-EU  
-AA,-TWN):TRANS  
PORT SCREW:NO  
ZZLE:XYZ:CMY:AS  
201511-12 O/O

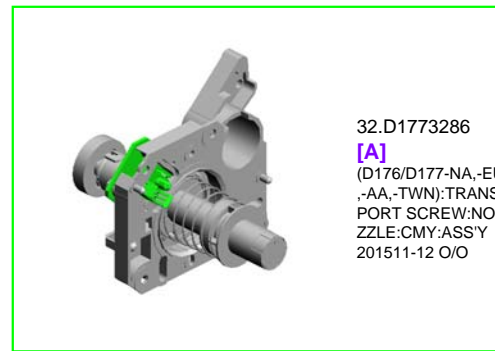
U001	U002	U003	U004	U005	U006	U007	U008	U009	U010	U011	U012	U013	U014	U015	U016
------	------	------	------	------	------	------	------	------	------	------	------	------	------	------	------

U007\_S018  
(D176/D177-NA,-EU,-AA,-TWN):TRANSPORT SCREW:NOZZLE:CMY:ASS'Y

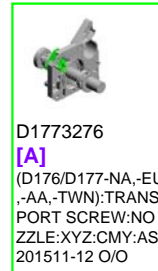
3.04583008N  
(x2)  
HEXAGON HEAD TAPPING SCREW:3  
X8



33.D1775172  
(D176/D177-NA,-EU  
-AA,-TWN):PCB:TC  
B



32.D1773286  
[A]  
(D176/D177-NA,-EU  
-AA,-TWN):TRANS  
PORT SCREW:NO  
ZZLE:CMY:ASS'Y  
201511-12 O/O

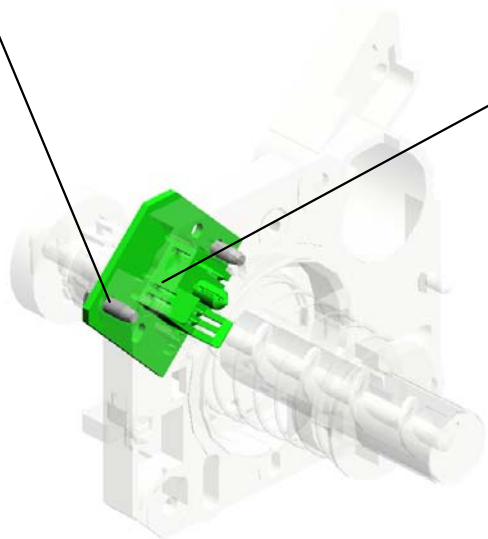


D1773276  
[A]  
(D176/D177-NA,-EU  
-AA,-TWN):TRANS  
PORT SCREW:NO  
ZZLE:XYZ:CMY:AS  
201511-12 O/O

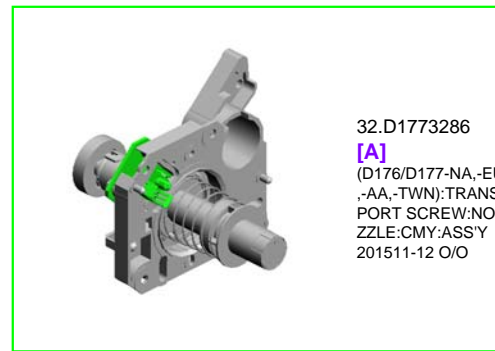
U001	U002	U003	U004	U005	U006	U007	U008	U009	U010	U011	U012	U013	U014	U015	U016
------	------	------	------	------	------	------	------	------	------	------	------	------	------	------	------

U007\_S019  
(D176/D177-NA,-EU,-AA,-TWN):TRANSPORT SCREW:NOZZLE:CMY:ASS'Y

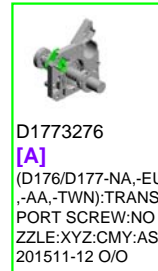
3.04583008N  
(x2)  
HEXAGON HEAD TAPPING SCREW:3  
X8



33.D1775172  
(D176/D177-NA,-EU  
-AA,-TWN):PCB:TC  
B



32.D1773286  
[A]  
(D176/D177-NA,-EU  
-AA,-TWN):TRANS  
PORT SCREW:NO  
ZZLE:CMY:ASS'Y  
201511-12 O/O

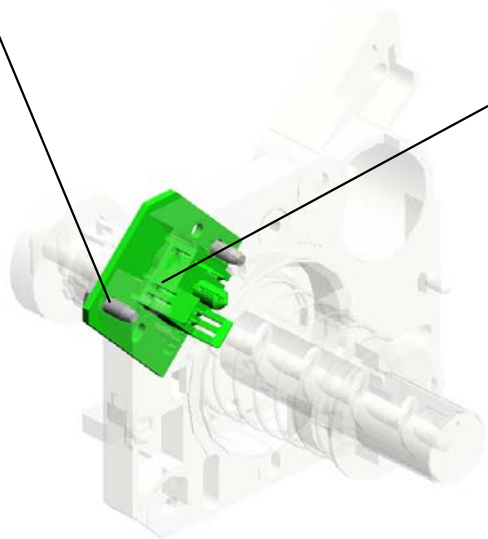


D1773276  
[A]  
(D176/D177-NA,-EU  
-AA,-TWN):TRANS  
PORT SCREW:NO  
ZZLE:XYZ:CMY:AS  
201511-12 O/O

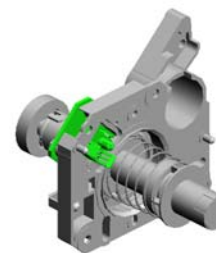
U001	U002	U003	U004	U005	U006	U007	U008	U009	U010	U011	U012	U013	U014	U015	U016
------	------	------	------	------	------	------	------	------	------	------	------	------	------	------	------

U007\_S020  
(D176/D177-NA,-EU,-AA,-TWN):TRANSPORT SCREW:NOZZLE:CMY:ASS'Y

3.04583008N  
(x2)  
HEXAGON HEAD TAPPING SCREW:3  
X8



33.D1775172  
(D176/D177-NA,-EU  
-AA,-TWN):PCB:TC  
B



32.D1773286  
[A]  
(D176/D177-NA,-EU  
-AA,-TWN):TRANS  
PORT SCREW:NO  
ZZLE:CMY:ASS'Y  
201511-12 O/O

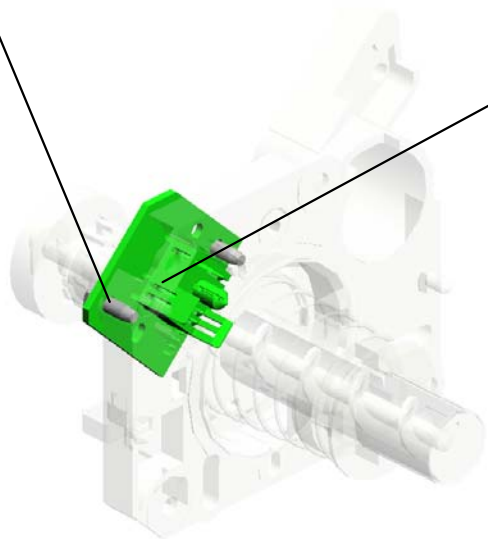


D1773276  
[A]  
(D176/D177-NA,-EU  
-AA,-TWN):TRANS  
PORT SCREW:NO  
ZZLE:XYZ:CMY:AS  
201511-12 O/O

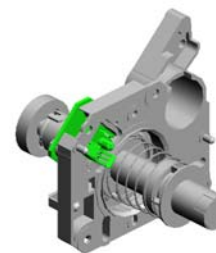
U001	U002	U003	U004	U005	U006	U007	U008	U009	U010	U011	U012	U013	U014	U015	U016
------	------	------	------	------	------	------	------	------	------	------	------	------	------	------	------

U007\_S021  
(D176/D177-NA,-EU,-AA,-TWN):TRANSPORT SCREW:NOZZLE:CMY:ASS'Y

3.04583008N  
(x2)  
HEXAGON HEAD TAPPING SCREW:3  
X8



33.D1775172  
(D176/D177-NA,-EU  
-AA,-TWN):PCB:TC  
B



32.D1773286  
[A]  
(D176/D177-NA,-EU  
-AA,-TWN):TRANS  
PORT SCREW:NO  
ZZLE:CMY:ASS'Y  
201511-12 O/O

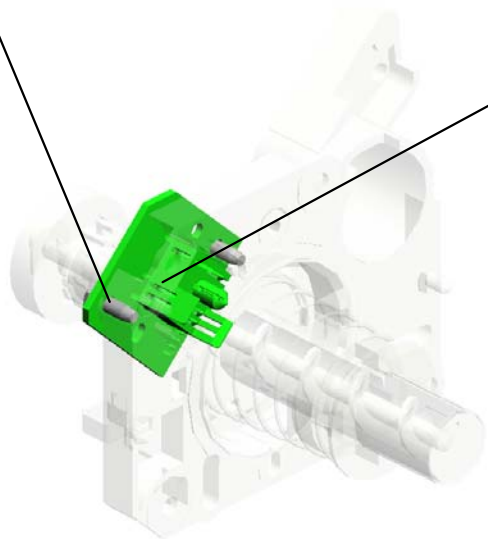


D1773276  
[A]  
(D176/D177-NA,-EU  
-AA,-TWN):TRANS  
PORT SCREW:NO  
ZZLE:XYZ:CMY:AS  
201511-12 O/O

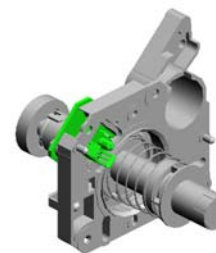
U001	U002	U003	U004	U005	U006	U007	U008	U009	U010	U011	U012	U013	U014	U015	U016
------	------	------	------	------	------	------	------	------	------	------	------	------	------	------	------

U007\_S022  
(D176/D177-NA,-EU,-AA,-TWN):TRANSPORT SCREW:NOZZLE:CMY:ASS'Y

3.04583008N  
(x2)  
HEXAGON HEAD TAPPING SCREW:3  
X8



33.D1775172  
(D176/D177-NA,-EU  
-AA,-TWN):PCB:TC  
B



32.D1773286  
[A]  
(D176/D177-NA,-EU  
-AA,-TWN):TRANS  
PORT SCREW:NO  
ZZLE:CMY:ASS'Y  
201511-12 O/O

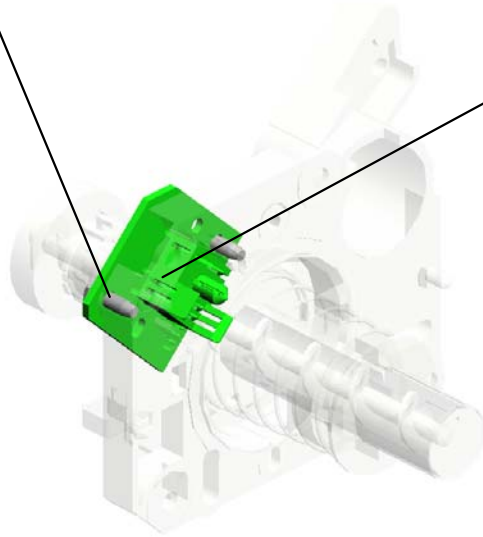


D1773276  
[A]  
(D176/D177-NA,-EU  
-AA,-TWN):TRANS  
PORT SCREW:NO  
ZZLE:XYZ:CMY:AS  
201511-12 O/O

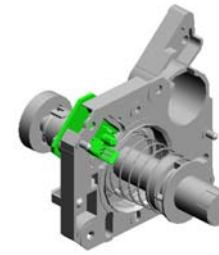
U001	U002	U003	U004	U005	U006	U007	U008	U009	U010	U011	U012	U013	U014	U015	U016
------	------	------	------	------	------	------	------	------	------	------	------	------	------	------	------

U007\_S023  
(D176/D177-NA,-EU,-AA,-TWN):TRANSPORT SCREW:NOZZLE:CMY:ASS'Y

3.04583008N  
(x2)  
HEXAGON HEAD TAPPING SCREW:3  
X8



33.D1775172  
(D176/D177-NA,-EU  
-AA,-TWN):PCB:TC  
B



32.D1773286  
[A]  
(D176/D177-NA,-EU  
-AA,-TWN):TRANS  
PORT SCREW:NO  
ZZLE:CMY:ASS'Y  
201511-12 O/O



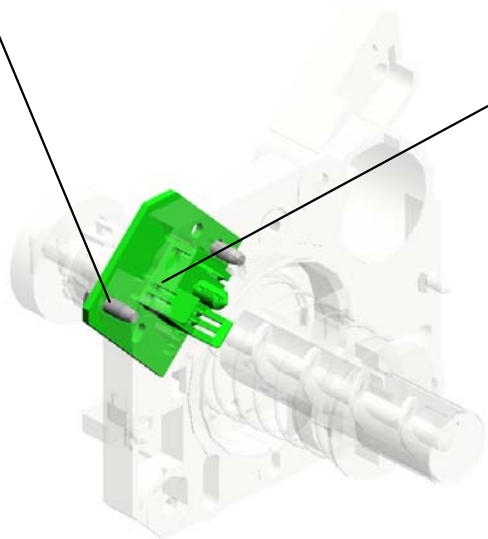
D1773276  
[A]  
(D176/D177-NA,-EU  
-AA,-TWN):TRANS  
PORT SCREW:NO  
ZZLE:XYZ:CMY:AS  
201511-12 O/O

U001	U002	U003	U004	U005	U006	U007	U008	U009	U010	U011	U012	U013	U014	U015	U016
------	------	------	------	------	------	------	------	------	------	------	------	------	------	------	------

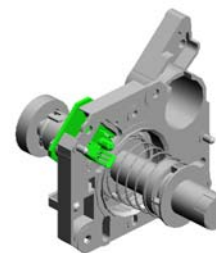


U007\_S024  
(D176/D177-NA,-EU,-AA,-TWN):TRANSPORT SCREW:NOZZLE:CMY:ASS'Y

3.04583008N  
(x2)  
HEXAGON HEAD TAPPING SCREW:3  
X8



33.D1775172  
(D176/D177-NA,-EU  
-AA,-TWN):PCB:TC  
B



32.D1773286  
[A]  
(D176/D177-NA,-EU  
-AA,-TWN):TRANS  
PORT SCREW:NO  
ZZLE:CMY:ASS'Y  
201511-12 O/O

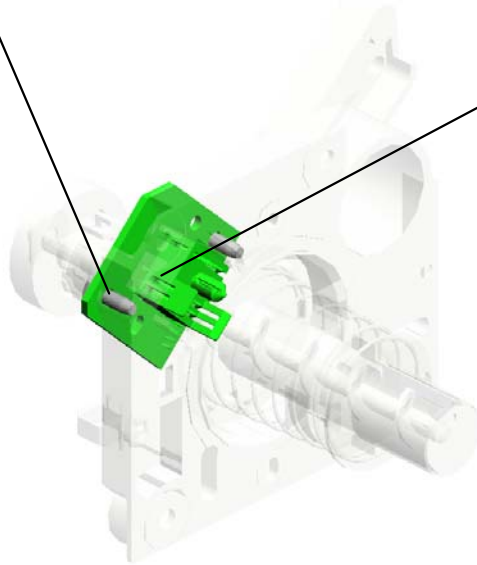


D1773276  
[A]  
(D176/D177-NA,-EU  
-AA,-TWN):TRANS  
PORT SCREW:NO  
ZZLE:XYZ:CMY:AS  
201511-12 O/O

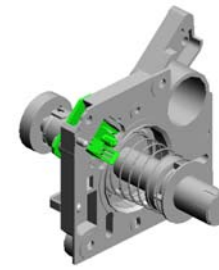
U001	U002	U003	U004	U005	U006	U007	U008	U009	U010	U011	U012	U013	U014	U015	U016
------	------	------	------	------	------	------	------	------	------	------	------	------	------	------	------

U007\_S025  
(D237):(D176/D177-CHN):TRANSPORT SCREW:NOZZLE:BK:ASS'Y

3.04583008N  
(x2)  
HEXAGON HEAD TAPPING SCREW:3  
X8



29.D1495174  
(D237):(D176/D177-CHN):PCB:TCB



13.D1473285  
[A]  
(D237):(D176/D177-CHN):TRANSPORT SCREW:NOZZLE:BK:ASS'Y  
201510-01 O/O

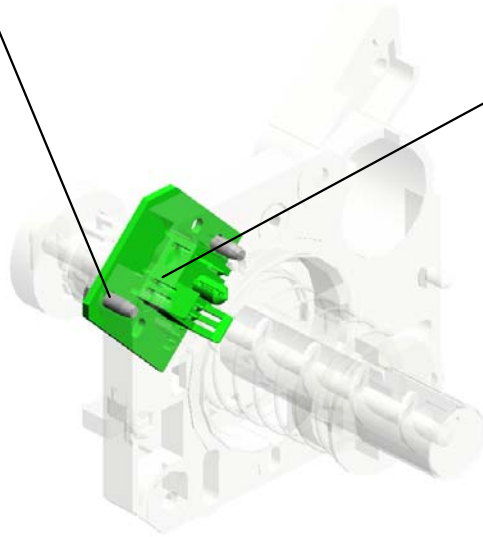


D1473275  
[A]  
(D237):(D176/D177-CHN):TRANSPORT SCREW:NOZZLE:BK:ASS'Y  
201510-01 O/O

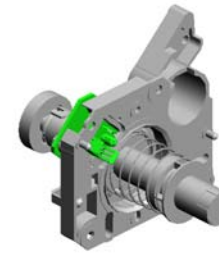
U001	U002	U003	U004	U005	U006	U007	U008	U009	U010	U011	U012	U013	U014	U015	U016
------	------	------	------	------	------	------	------	------	------	------	------	------	------	------	------

U007\_S026  
TRANSPORT SCREW:NOZZLE:CMY:ASS'Y

3.04583008N  
(x2)  
HEXAGON HEAD TAPPING SCREW:3  
X8



29.D1495174  
(D237):(D176/D177-  
CHN):PCB:TCB



14.D1473286  
[A]  
TRANSPORT SCR  
EW:NOZZLE:CMY:  
ASS'Y  
201509-02 O/O

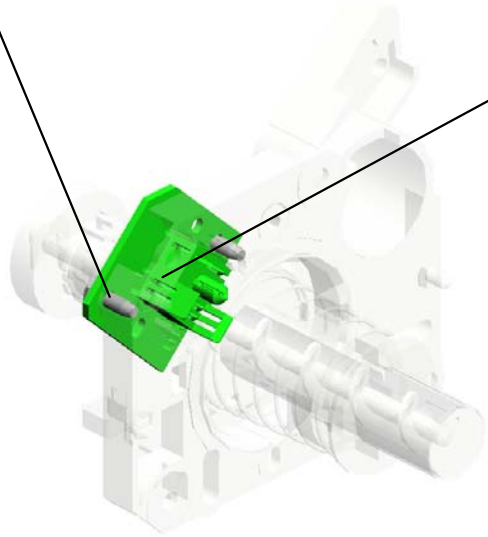


D1473276  
[A]  
TRANSPORT SCR  
EW:NOZZLE:CMY:  
ASS'Y  
201509-02 O/O

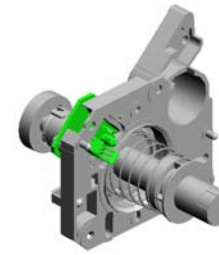
U001	U002	U003	U004	U005	U006	U007	U008	U009	U010	U011	U012	U013	U014	U015	U016
------	------	------	------	------	------	------	------	------	------	------	------	------	------	------	------

U007\_S027  
TRANSPORT SCREW:NOZZLE:CMY:ASS'Y

3.04583008N  
(x2)  
HEXAGON HEAD TAPPING SCREW:3  
X8



29.D1495174  
(D237):(D176/D177-  
CHN):PCB:TCB



14.D1473286  
[A]  
TRANSPORT SCR  
EW:NOZZLE:CMY:  
ASS'Y  
201509-02 O/O

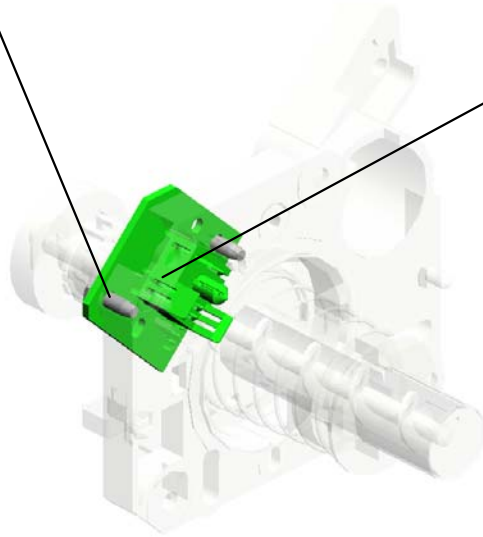


D1473276  
[A]  
TRANSPORT SCR  
EW:NOZZLE:CMY:  
ASS'Y  
201509-02 O/O

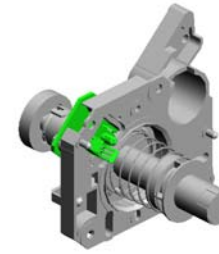
U001	U002	U003	U004	U005	U006	U007	U008	U009	U010	U011	U012	U013	U014	U015	U016
------	------	------	------	------	------	------	------	------	------	------	------	------	------	------	------

U007\_S028  
TRANSPORT SCREW:NOZZLE:CMY:ASS'Y

3.04583008N  
(x2)  
HEXAGON HEAD TAPPING SCREW:3  
X8



29.D1495174  
(D237):(D176/D177-  
CHN):PCB:TCB



14.D1473286  
[A]  
TRANSPORT SCR  
EW:NOZZLE:CMY:  
ASS'Y  
201509-02 O/O

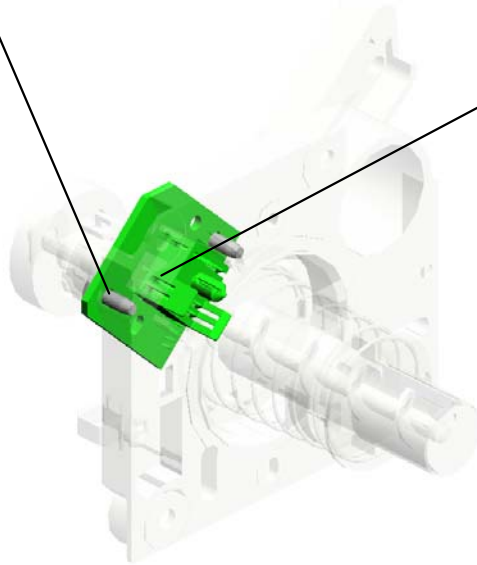


D1473276  
[A]  
TRANSPORT SCR  
EW:NOZZLE:CMY:  
ASS'Y  
201509-02 O/O

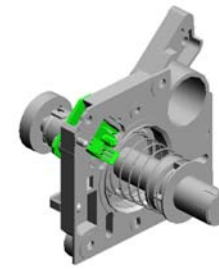
U001	U002	U003	U004	U005	U006	U007	U008	U009	U010	U011	U012	U013	U014	U015	U016
------	------	------	------	------	------	------	------	------	------	------	------	------	------	------	------

U007\_S029  
(D237):(D176/D177-CHN):TRANSPORT SCREW:NOZZLE:BK:ASS'Y

3.04583008N  
(x2)  
HEXAGON HEAD TAPPING SCREW:3  
X8



29.D1495174  
(D237):(D176/D177-  
CHN):PCB:TCB



13.D1473285  
[A]  
(D237):(D176/D177-  
CHN):TRANSPORT  
SCREW:NOZZLE:  
BK:ASS'Y  
201510-01 O/O

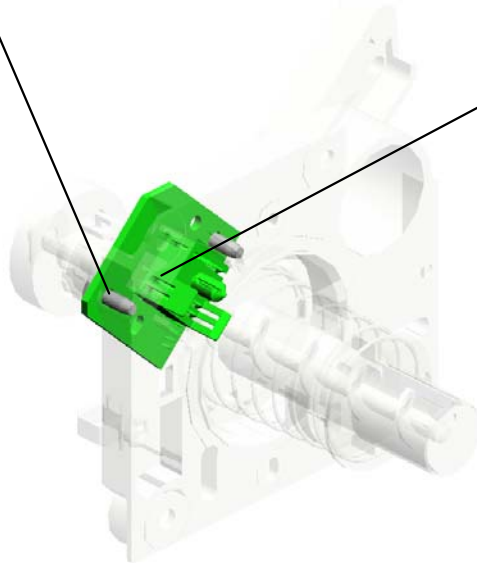


D1473275  
[A]  
(D237):(D176/D177-  
CHN):TRANSPORT  
SCREW:NOZZLE:  
BK:ASS'Y  
201510-01 O/O

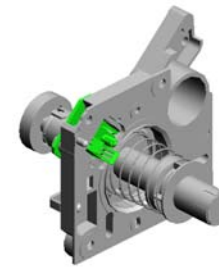
U001	U002	U003	U004	U005	U006	U007	U008	U009	U010	U011	U012	U013	U014	U015	U016
------	------	------	------	------	------	------	------	------	------	------	------	------	------	------	------

U007\_S030  
(D237):(D176/D177-CHN):TRANSPORT SCREW:NOZZLE:BK:ASS'Y

3.04583008N  
(x2)  
HEXAGON HEAD TAPPING SCREW:3  
X8



29.D1495174  
(D237):(D176/D177-  
CHN):PCB:TCB



13.D1473285  
[A]  
(D237):(D176/D177-  
CHN):TRANSPORT  
SCREW:NOZZLE:  
BK:ASS'Y  
201510-01 O/O

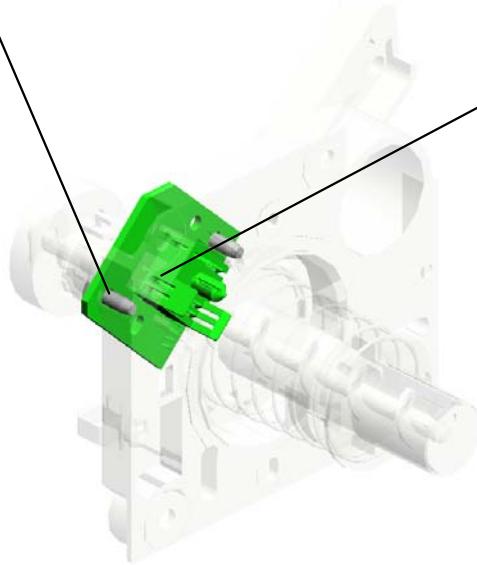


D1473275  
[A]  
(D237):(D176/D177-  
CHN):TRANSPORT  
SCREW:NOZZLE:  
BK:ASS'Y  
201510-01 O/O

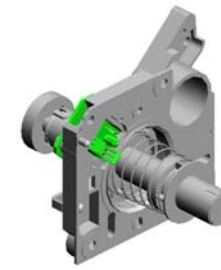
U001	U002	U003	U004	U005	U006	U007	U008	U009	U010	U011	U012	U013	U014	U015	U016
------	------	------	------	------	------	------	------	------	------	------	------	------	------	------	------

U007\_S031  
(D237):(D176/D177-CHN):TRANSPORT SCREW:NOZZLE:BK:ASS'Y

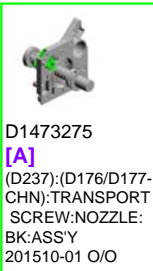
3.04583008N  
(x2)  
HEXAGON HEAD TAPPING SCREW:3  
X8



29.D1495174  
(D237):(D176/D177-  
CHN):PCB:TCB



13.D1473285  
[A]  
(D237):(D176/D177-  
CHN):TRANSPORT  
SCREW:NOZZLE:  
BK:ASS'Y  
201510-01 O/O



D1473275  
[A]  
(D237):(D176/D177-  
CHN):TRANSPORT  
SCREW:NOZZLE:  
BK:ASS'Y  
201510-01 O/O

U001	U002	U003	U004	U005	U006	U007	U008	U009	U010	U011	U012	U013	U014	U015	U016
------	------	------	------	------	------	------	------	------	------	------	------	------	------	------	------



# U008.INTERMEDIATE TRANSFER

U008\_S002  
D2416141  
CLEANING UNIT:BELT CLEANING:C2:ASS'Y

U008\_S003  
D1496370  
TONER OUTLET UNIT:BELT CLEANING:ASS'Y

U008\_S001  
D1496044  
DENSITY SENSOR:ASS'Y

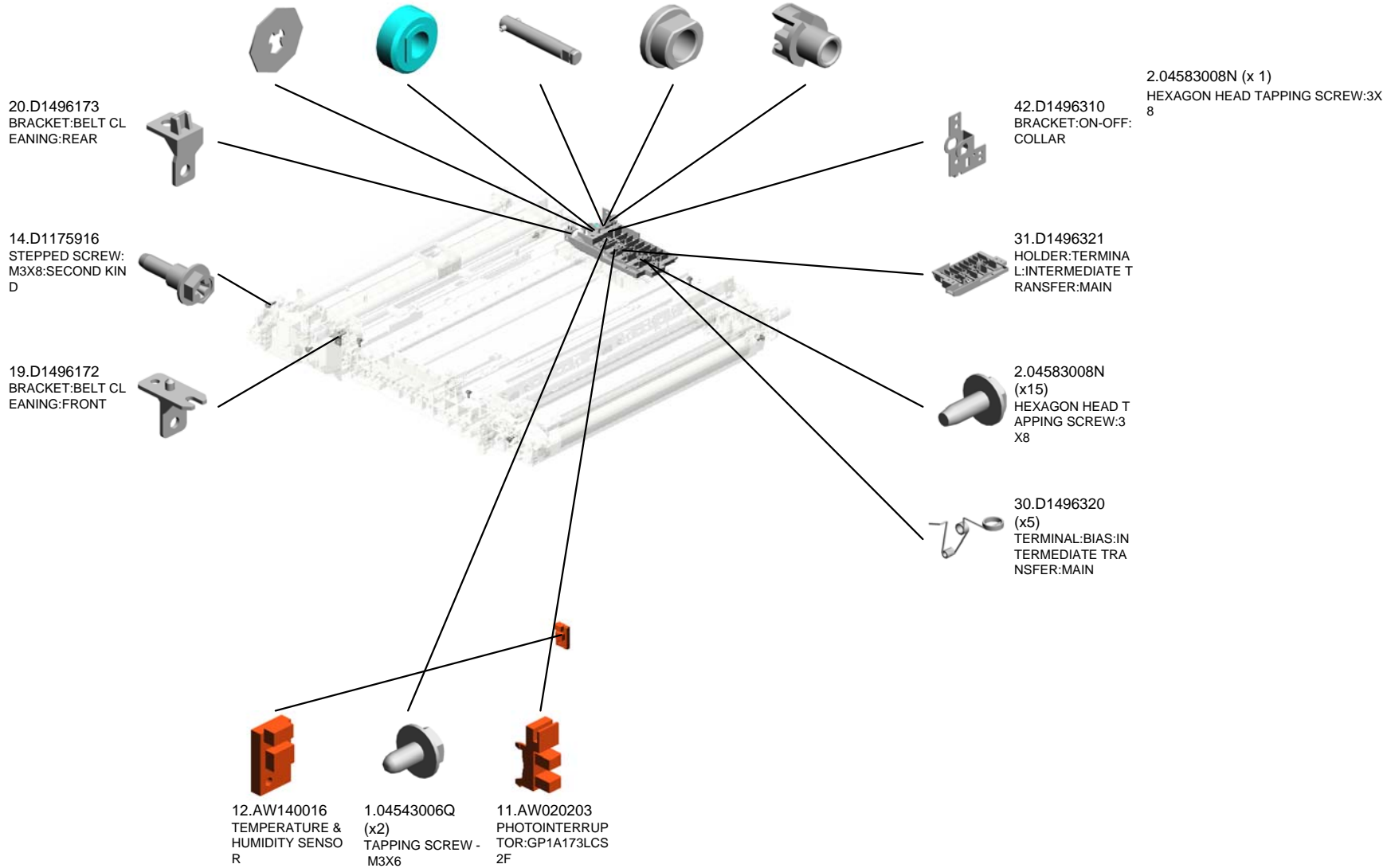
U008\_S004  
D1776006  
TRANSFER UNIT:INTERMEDIATE TRANSFER:ASS'Y

U001	U002	U003	U004	U005	U006	U007	U008	U009	U010	U011	U012	U013	U014	U015	U016
------	------	------	------	------	------	------	------	------	------	------	------	------	------	------	------

# U008 INTERMEDIATE TRANSFER



- 4.07200040E RETAINING RING - M4
- 28.D1496311 GEAR:ON-OFF:COLLAR:OUTPUT
- 27.D1496309 SHAFT:ON-OFF:COLLAR:MAIN
- 9.AA082101 (x2) BUSHING - 6X10X6
- 29.D1496312 JOINT:ON-OFF:COLLAR



U001	U002	U003	U004	U005	U006	U007	U008	U009	U010	U011	U012	U013	U014	U015	U016
------	------	------	------	------	------	------	------	------	------	------	------	------	------	------	------

U008\_S001  
DENSITY SENSOR:ASS'Y

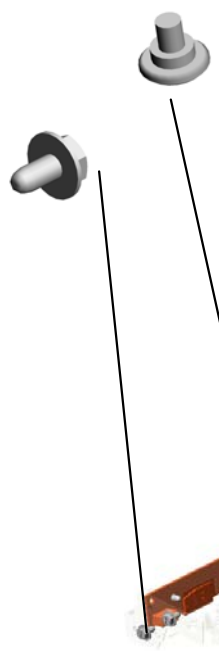
10.AA143882 (x2)  
SCREW:DIA5:1.5T

35.GW010009 (x3)  
DENSITY SENSOR



41.D1496044  
DENSITY SENSOR:  
ASS'Y

1.04543006Q  
(x10)  
TAPPING SCREW -  
M3X6



5.11050758  
(x5)  
CLAMP:LWSM-030  
6A



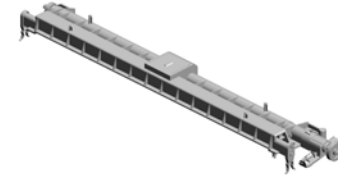
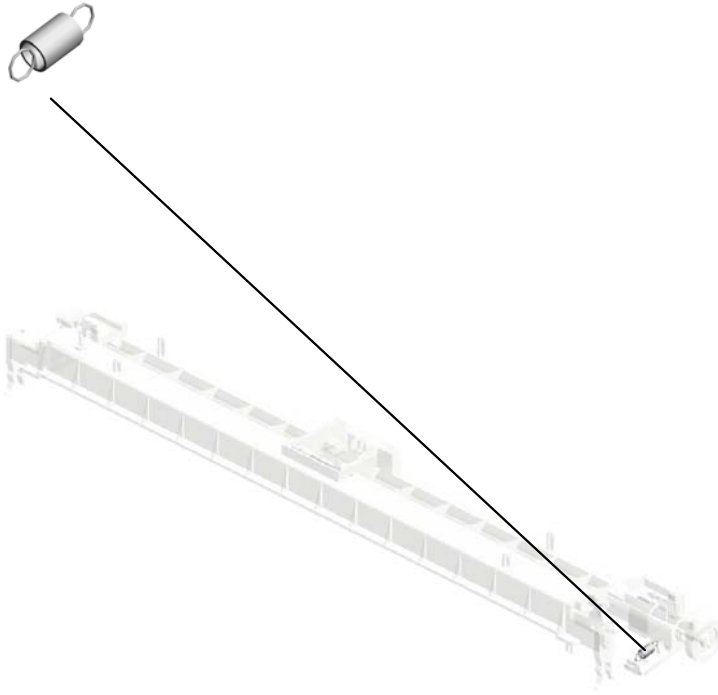
8.AA060151  
TENSION SPRING



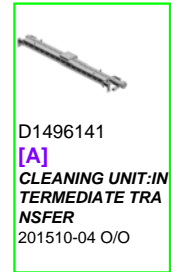
U001	U002	U003	U004	U005	U006	U007	<b>U008</b>	U009	U010	U011	U012	U013	U014	U015	U016
------	------	------	------	------	------	------	-------------	------	------	------	------	------	------	------	------

U008\_S002  
CLEANING UNIT:BELT CLEANING:C2:ASS'Y

18.D1496163  
TENSION SPRING:  
SHUTTER:BELT CL  
EANING



17.D2416141  
[A]  
CLEANING UNIT:BELT  
CLEANING:C2:  
ASS'Y  
201510-04 O/O



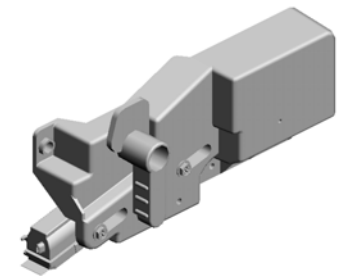
D1496141  
[A]  
CLEANING UNIT:INTERMEDIATE  
TRANSFER  
201510-04 O/O

U001	U002	U003	U004	U005	U006	U007	<b>U008</b>	U009	U010	U011	U012	U013	U014	U015	U016
------	------	------	------	------	------	------	-------------	------	------	------	------	------	------	------	------

U008\_S003

TONER OUTLET UNIT:BELT CLEANING:ASS'Y

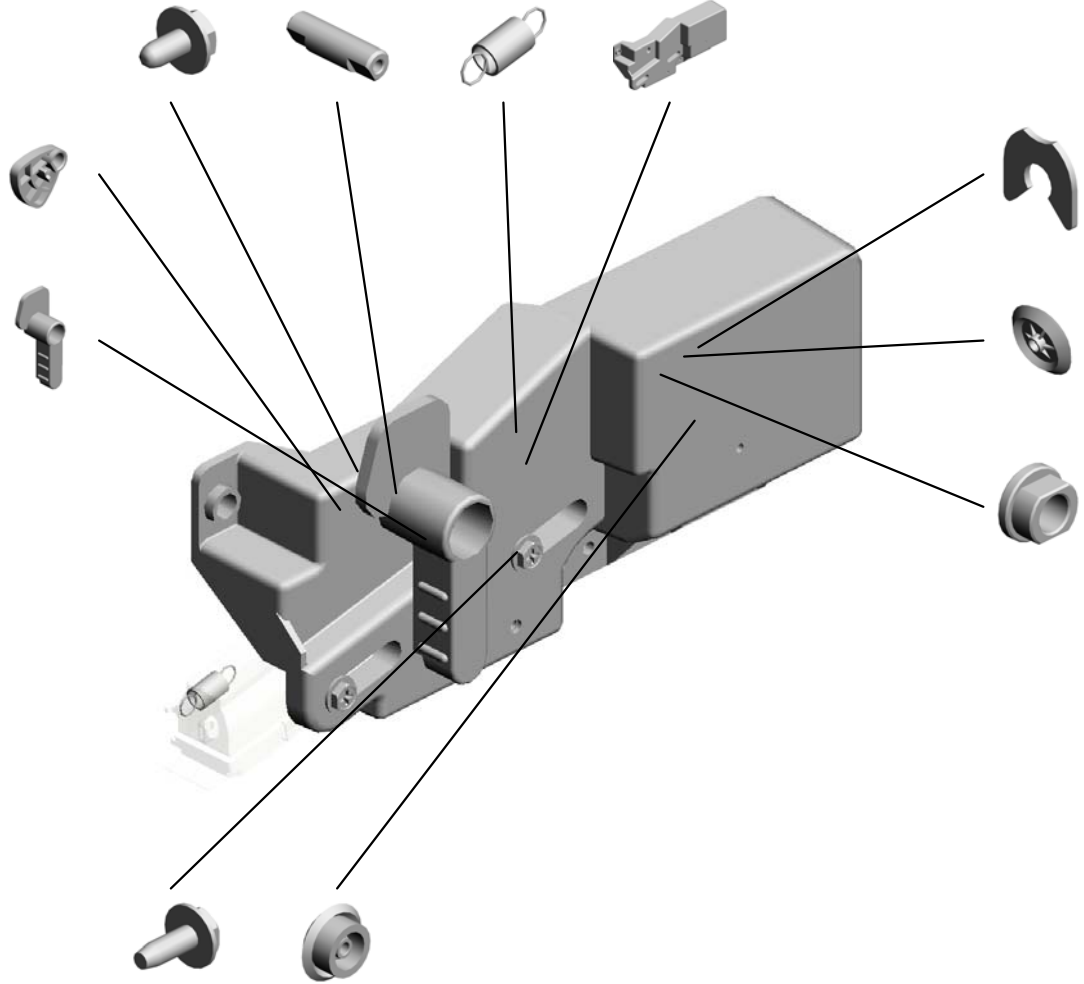
- 1.04543006Q (x2) TAPPING SCREW - M3X6
- 25.D1496194 SHAFT:LEVER:DISCHARGE USED TONER
- 18.D1496163 (x2) TENSION SPRING: SHUTTER:BELT CLEANING
- 21.D1496177 HOLDER:DISCHARGE USED TONER: ASS'Y



39.D1496370  
**[A]**  
 TONER OUTLET UNIT:BELT CLEANING:ASS'Y  
 201410-05 X/O

26.D1496195  
 CAM:DISCHARGE USED TONER

24.D1496192  
 LEVER:DISCHARGE USED TONER



36.08050103  
 RETAINING RINGS -E:SILENCER:DIA3

23.D1496190  
 GEAR:DISCHARGE USED TONER

9.AA082101  
 BUSHING - 6X10X6

- 2.04583008N (x2) HEXAGON HEAD TAPPING SCREW:3 X8
- 22.D1496179 GEAR:IDLER:DISCHARGE USED TONER

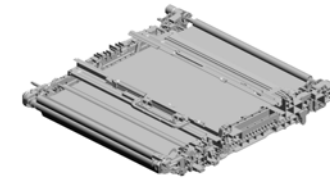


D1496175  
**[A]**  
 TONER OUTLET UNIT:BELT CLEANING:ASS'Y  
 201410-05 X/O

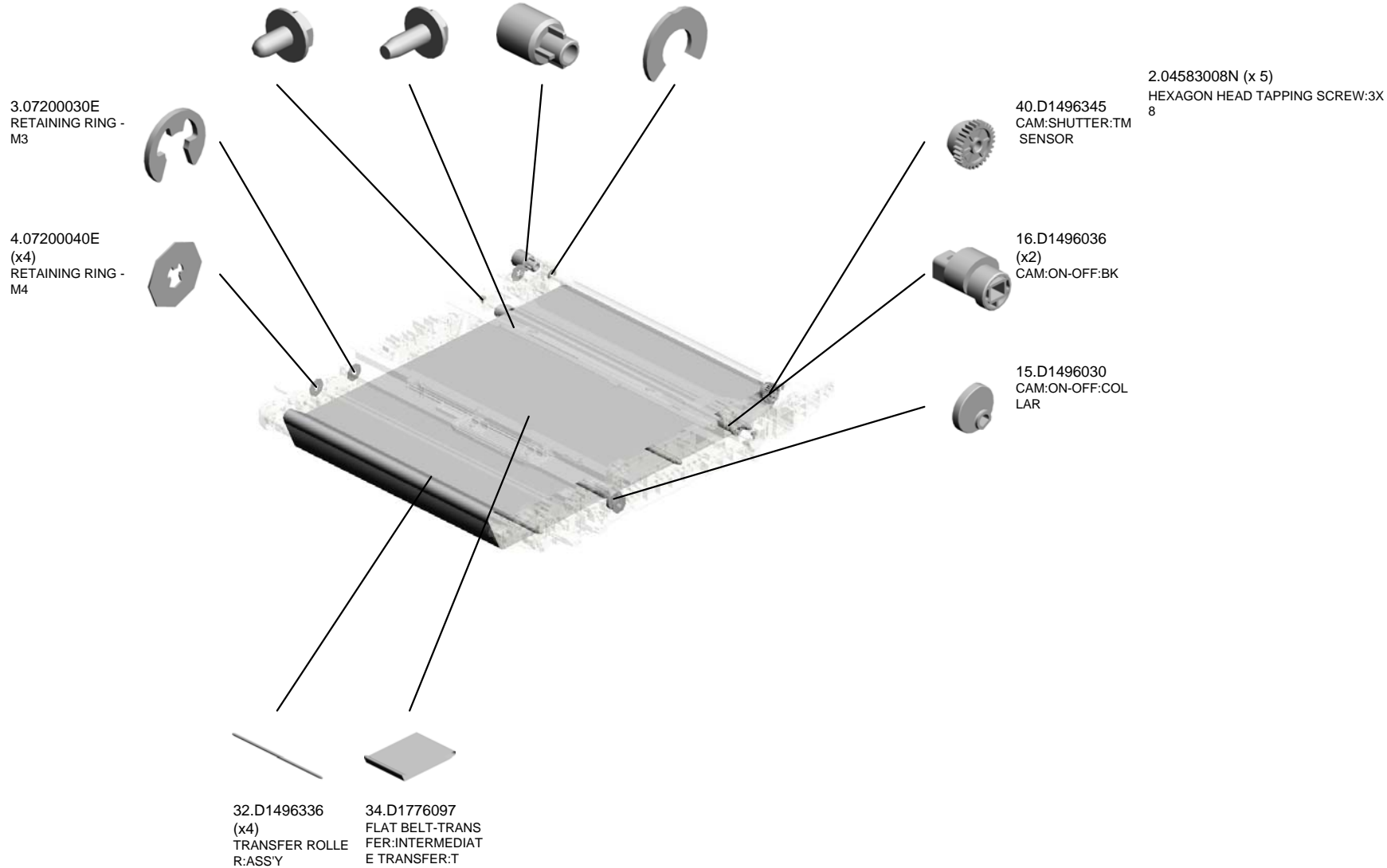
U001	U002	U003	U004	U005	U006	U007	U008	U009	U010	U011	U012	U013	U014	U015	U016
------	------	------	------	------	------	------	------	------	------	------	------	------	------	------	------

TRANSFER UNIT:INTERMEDIATE TRANSFER:ASS'Y

- 1.04543006Q (x4) TAPPING SCREW - M3X6
- 2.04583008N HEXAGON HEAD TAPPING SCREW:3X8
- 13.B2236069 JOINT:DRIVE:INTERMEDIATE TRANSFER
- 37.08050106 (x2) RETAINING RINGS -E:SILENCER:DIA6

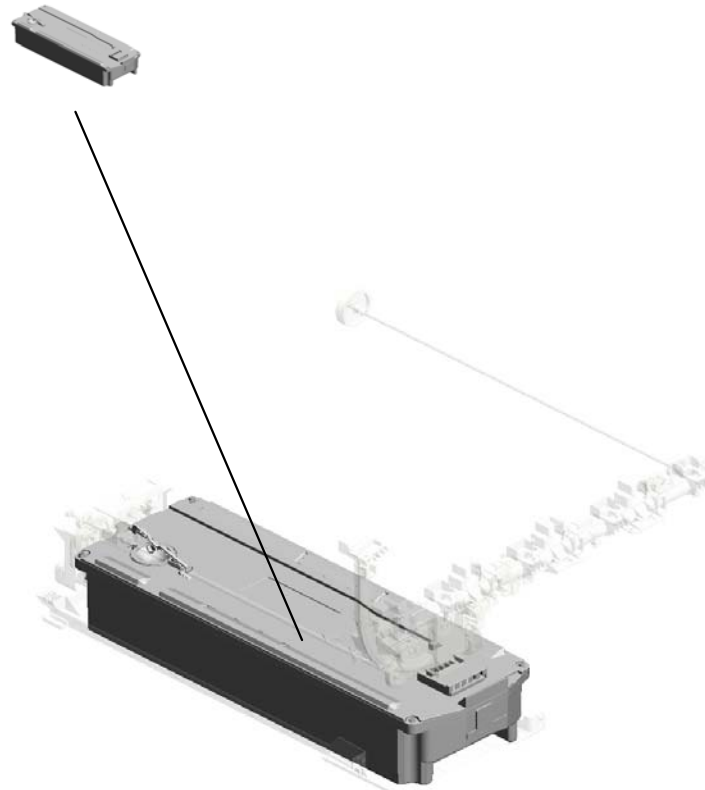


**38.D1776006**  
**[A]**  
 TRANSFER UNIT:INTERMEDIATE TRANSFER:ASS'Y  
 201501-02 O/O



# U009.TONER RECYCLING

U009\_S001  
D1496400  
COLLECTION BOTTLE:ASSY



U001	U002	U003	U004	U005	U006	U007	U008	U009	U010	U011	U012	U013	U014	U015	U016
------	------	------	------	------	------	------	------	------	------	------	------	------	------	------	------

# U009 TONER RECYCLING

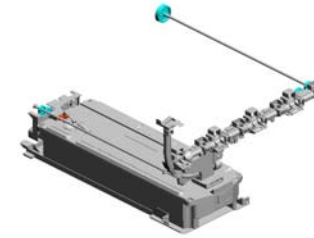
9.AW020198  
PHOTOINTERRUPTOR:LG2A14NL1

8.AG070514  
MAGNET CATCH

10.AW500040  
PUSH SWITCH:SW  
1AG-550:10MA

11.B2236476  
(x4)  
BUSHING - DIA5

20.D1496556  
TENSION SPRING:  
BELT TENSIONER



14.D1491174  
GEAR:COLLECTION BOTTLE



13.D1491173  
GEAR:IDLER:TONE R BOTTLE



12.D1491168  
BRACKET:DRIVE:COLLECTION BOTTLE:ASSY



3.04583008N  
(x2)  
HEXAGON HEAD TAPPING SCREW:3X8



1.04543006Q  
(x3)  
TAPPING SCREW - M3X6



17.D1496553  
GEAR:IDLER:Z61



16.D1496552  
GEAR:IDLER:Z30



2.04543008Q  
(x4)  
TAPPING SCREW:3X8



22.D1496561  
PULLEY:USED TONER



23.D1496562  
BRACKET:TIGHTENER:USED TONER



4.07200030E  
(x2)  
RETAINING RING - M3



18.D1496554  
GEAR:PULLEY:IDLER:Z16



19.D1496555  
GEAR:IDLER:Z21



21.D1496557  
SYNCHRONOUS BELT:40S3M564



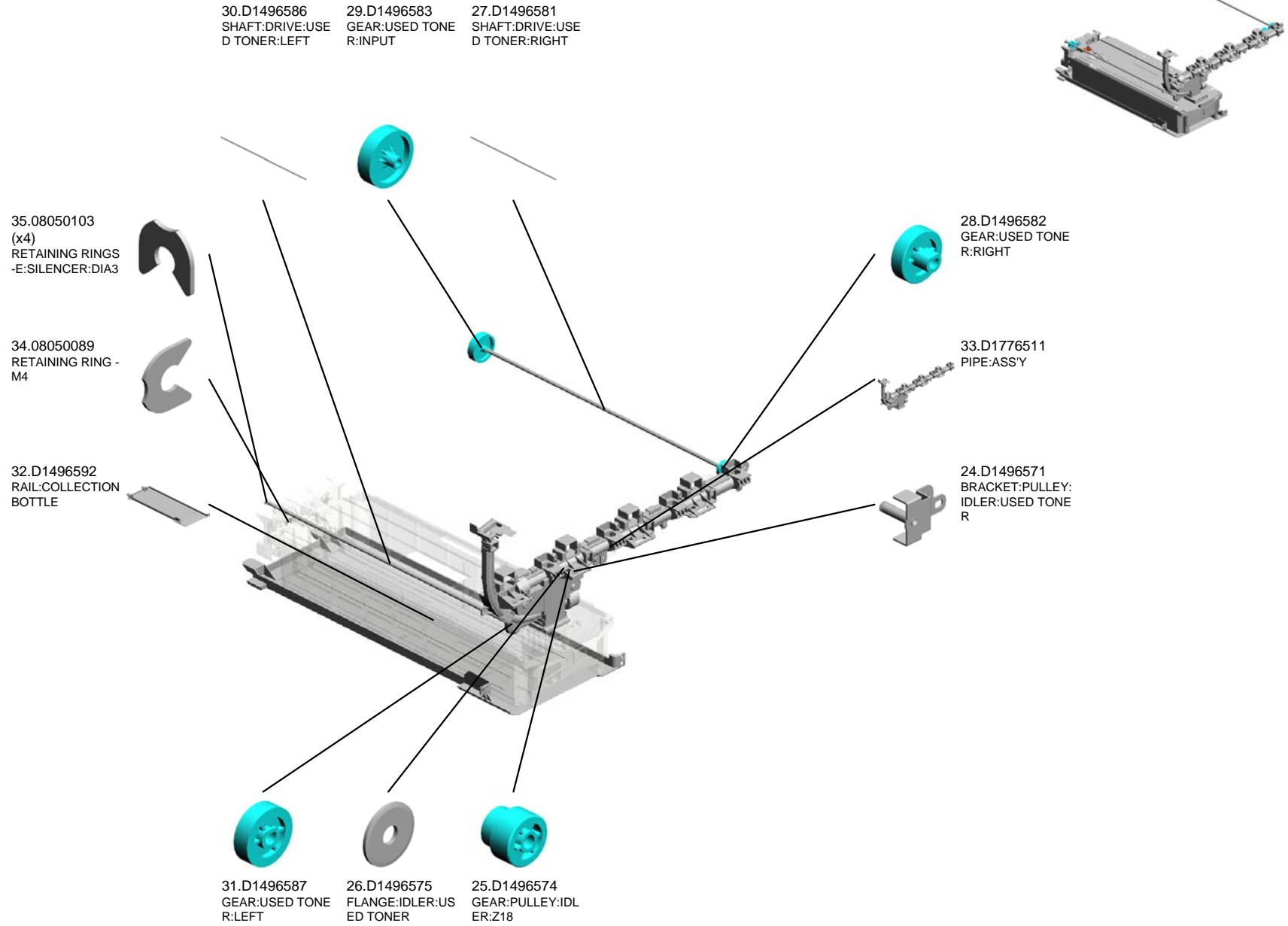
5.07200040E  
(x7)  
RETAINING RING - M4



5.07200040E (x 1)  
RETAINING RING - M4



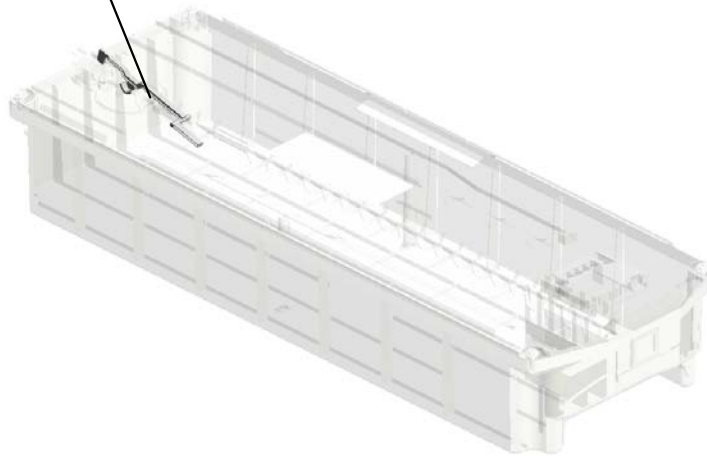
# U009 TONER RECYCLING



U001	U002	U003	U004	U005	U006	U007	U008	U009	U010	U011	U012	U013	U014	U015	U016
------	------	------	------	------	------	------	------	------	------	------	------	------	------	------	------

U009\_S001  
COLLECTION BOTTLE:ASS'Y

36.D2426432  
FEELER:COLLECTI  
ON BOTTLE  
201511-13

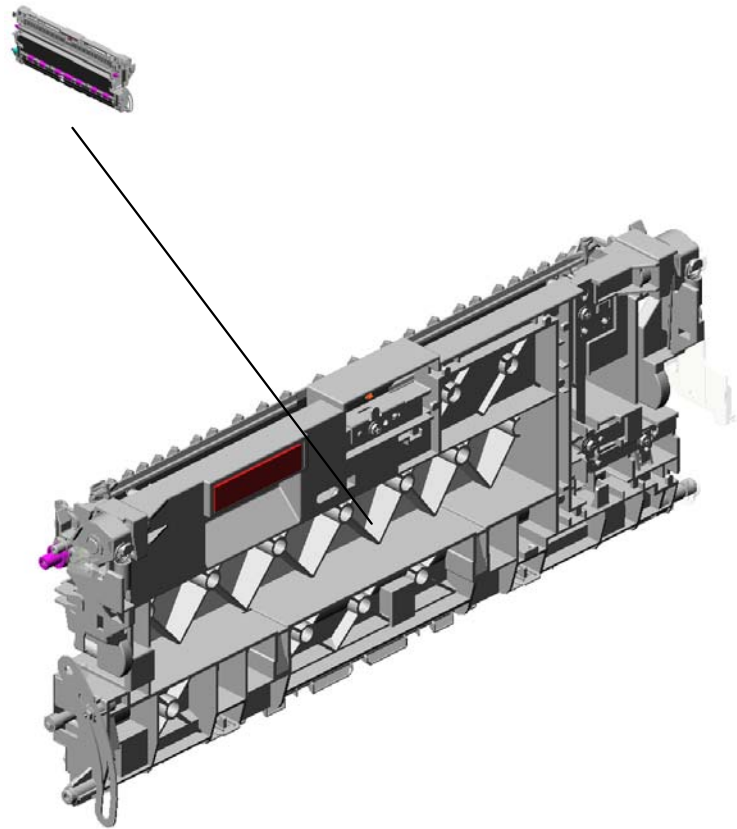


15.D1496400  
COLLECTION BOT  
TLE:ASS'Y

U001	U002	U003	U004	U005	U006	U007	U008	U009	U010	U011	U012	U013	U014	U015	U016
------	------	------	------	------	------	------	------	------	------	------	------	------	------	------	------

# U010.SEPARATION/TRANSPORT

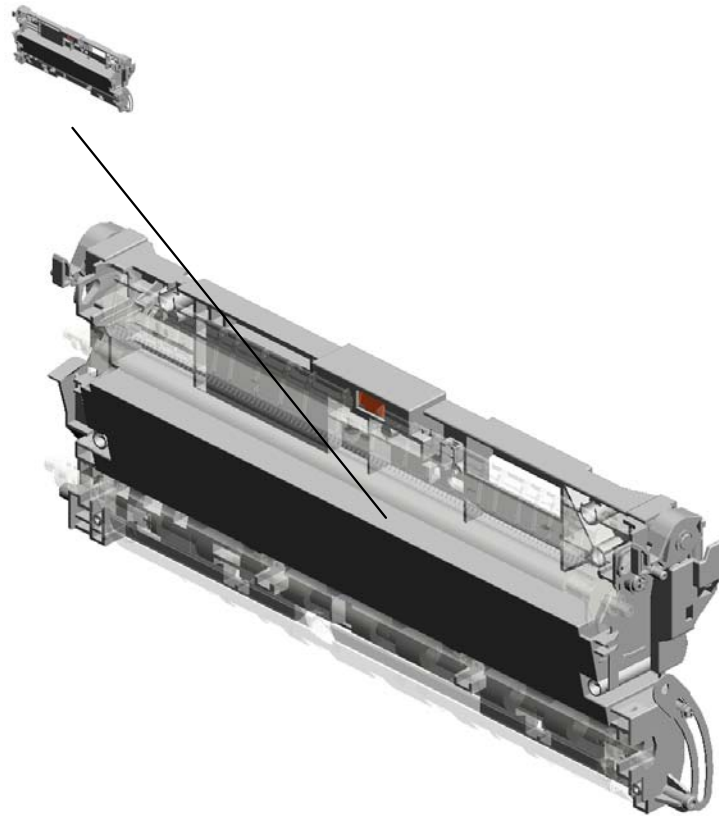
U010\_S001  
D1496206  
TRANSFER/SEPARATION UN  
IT:ASS'Y



U001	U002	U003	U004	U005	U006	U007	U008	U009	U010	U011	U012	U013	U014	U015	U016
------	------	------	------	------	------	------	------	------	------	------	------	------	------	------	------

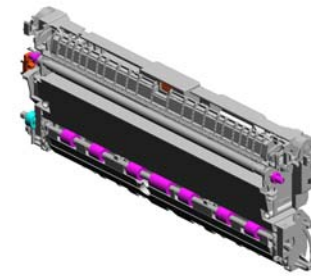
# U010\_S001.TRANSFER/SEPARATION UNIT:ASS'Y

U010\_S001\_S001  
D1476215  
GUIDE PLATE:TRANSFER:S  
ECOND:ASS'Y



U001	U002	U003	U004	U005	U006	U007	U008	U009	U010	U011	U012	U013	U014	U015	U016
------	------	------	------	------	------	------	------	------	------	------	------	------	------	------	------

# U010 SEPARATION/TRANSPORT

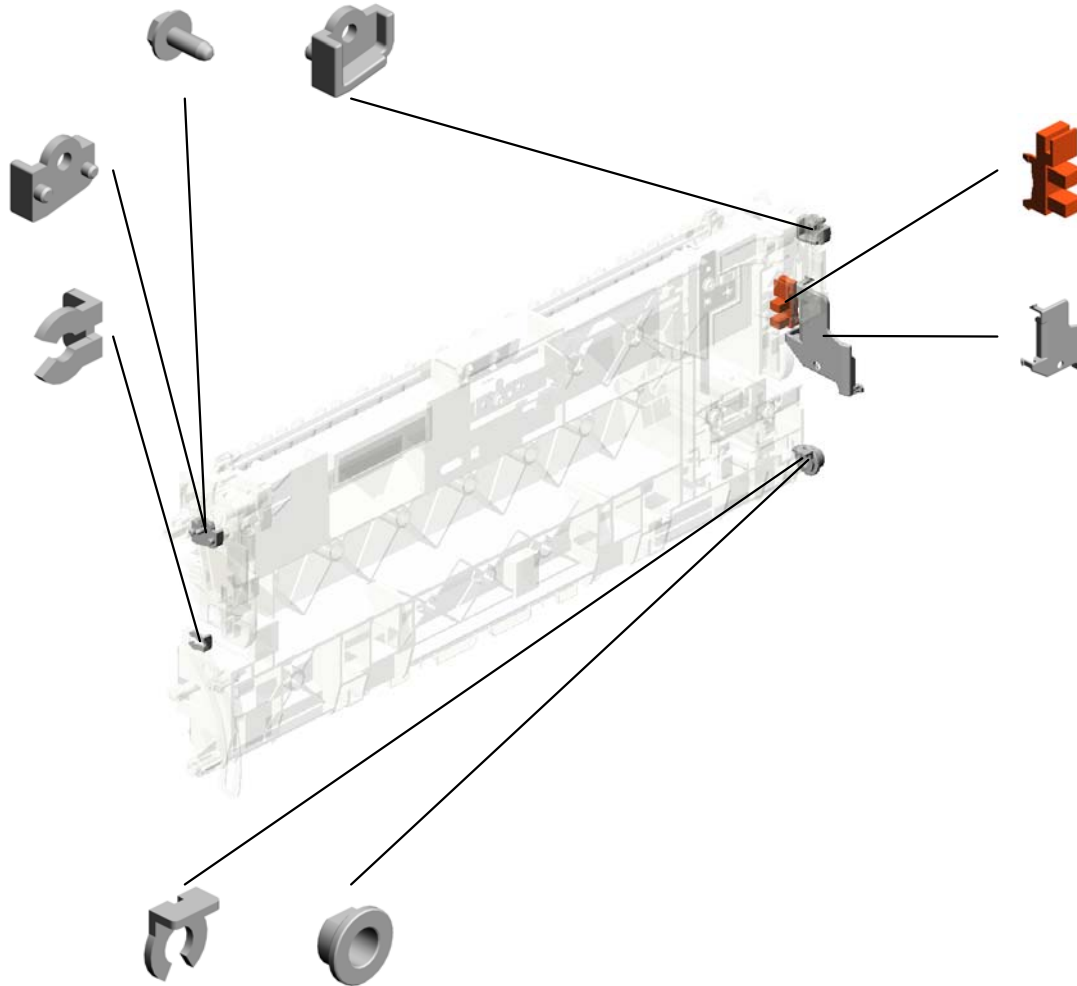


1.04543008Q (x2)  
TAPPING SCREW:  
3X8

43.D1496291  
GUIDE:SET:TRANS  
FER/SEPARATION  
UNIT:REAR

42.D1496290  
GUIDE:SET:TRANS  
FER/SEPARATION  
UNIT:FRONT

6.54472681  
SNAP RING



15.AW020203  
PHOTOINTERRUP  
TOR:GP1A173LCS  
2F

44.D1496295  
COVER:HARNES  
S:TRANSFER/SEPAR  
ATION UNIT

5.52152621  
SNAP RING - M6

11.AA082144  
BUSHING - 8X12X7

U001	U002	U003	U004	U005	U006	U007	U008	U009	<b>U010</b>	U011	U012	U013	U014	U015	U016
------	------	------	------	------	------	------	------	------	-------------	------	------	------	------	------	------

# U010\_S001 TRANSFER/SEPARATION UNIT:ASS'Y



49.D1496206  
TRANSFER/SEPARATION UNIT:ASS'Y  
201412-01 O/O

8.AA063942 COMPRESSION SPRING:REGISTRATION:DRIVE  
17.D1492585 GUIDE:REGISTRATION:REAR RIGHT  
7.AA063941 (x2) COMPRESSION SPRING:REGISTRATION:INNER:DRIVE  
**23.D1496212 TRANSFER ROLLER:SECOND:ASS'Y**  
201503-01 X/O  
**47.D7396212 (OPTION):TRANSFER ROLLER:SECOND:ASS'Y**

12.AB011571 GEAR:Z19:DRIVE:REGISTRATION



21.D1492990 PLAIN SHAFT BEARING:DRIVE:REGISTRATION ROLLER



10.AA080346 (x2) BUSHING:FLANGE TYPE:DIA6



19.D1492588 GUIDE:REGISTRATION:REAR RIGHT:AUXILIARY



22.D1492991 (x2) PLAIN SHAFT BEARING:INNER:DRIVE:REGISTRATION ROLLER

13.AF020799 REGISTRATION ROLLER:DRIVE

16.D1492582 GUIDE PLATE:REGISTRATION:FRONT RIGHT

20.D1492589 GUIDE:REGISTRATION:FRONT RIGHT:AUXILIARY

18.D1492586 GUIDE:REGISTRATION:FRONT RIGHT

4.07200040E (x3) RETAINING RING - M4

3.07200030E (x2) RETAINING RING - M3

9.AA063943 (x2) COMPRESSION SPRING:GUIDE PLATE:REGISTRATION:4N

2.04583008N (x2) HEXAGON HEAD TAPPING SCREW:3 X8

U001	U002	U003	U004	U005	U006	U007	U008	U009	<b>U010</b>	U011	U012	U013	U014	U015	U016
------	------	------	------	------	------	------	------	------	-------------	------	------	------	------	------	------

U010\_S001\_S001

GUIDE PLATE:TRANSFER:SECOND:ASS'Y

24.D1496226  
LEVER:TRANSFER  
/SEPARATION UNI  
T:FRONT

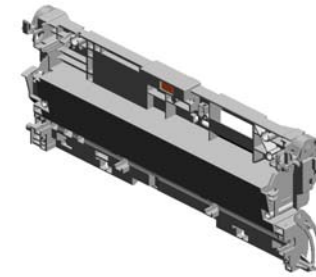
38.D1496254  
DECAL:GRIP:B:LO  
WER

39.D1496255  
DECAL:GRIP:B

14.AW010200  
PAPER FEED SEN  
SOR:FUSING EXIT

2.04583008N  
HEXAGON HEAD T  
APPING SCREW:3  
X8

48.D1476215  
GUIDE PLATE:TRA  
NSFER:SECOND:A  
SS'Y



26.D1496228  
TORSION SPRING:  
LEVER:SET:FRON  
T

27.D1496229  
(x2)  
TENSION SPRING:  
LEVER:SET

25.D1496227  
LEVER:SET:FRON  
T

31.D1496240  
LEVER:PRESSURE  
:TRANSFER ROLL  
ER:FRONT:DIA15.5

33.D1496242  
(x2)  
COMPRESSION SP  
RING:PRESSURE:T  
RANSFER ROLLER

37.D1496246  
LINK:TRANSFER/S  
EPARATION UNIT

35.D1496244  
GROUND PLATE:S  
EPARATION

34.D1496243  
RECEIVE PLATE:C  
OMPRESSIO SPR  
ING:TRANSFER R  
OLLER

36.D1496245  
GROUND PLATE:T  
RANSFER/SEPARA  
TION UNIT

41.D1496257  
GROUND PLATE:R  
EGISTRATION ROL  
LER

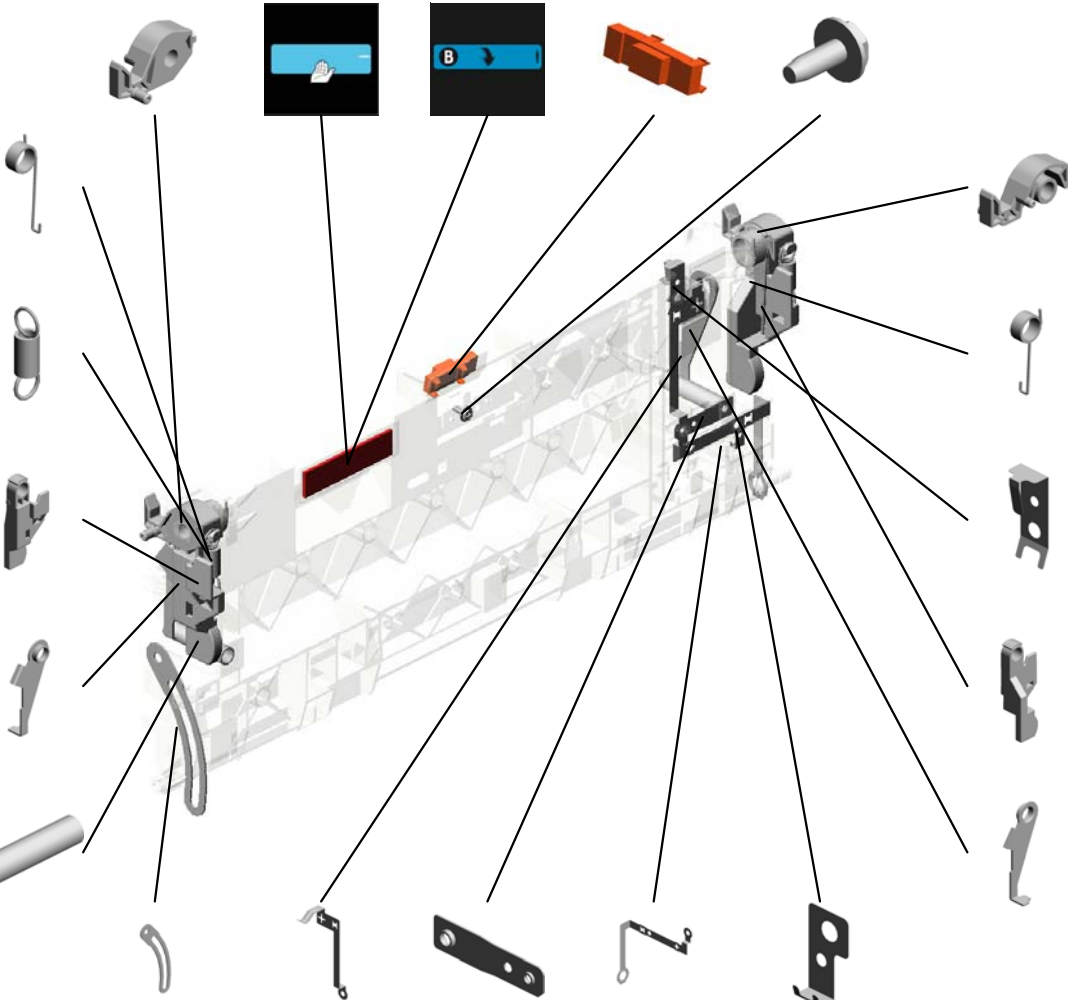
28.D1496231  
LEVER:TRANSFER  
/SEPARATION UNI  
T:REAR

30.D1496233  
TORSION SPRING:  
LEVER:SET:REAR

40.D1496256  
GROUND PLATE:G  
UIDE:TRANSPORT

29.D1496232  
LEVER:SET:REAR

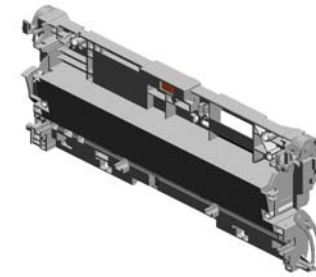
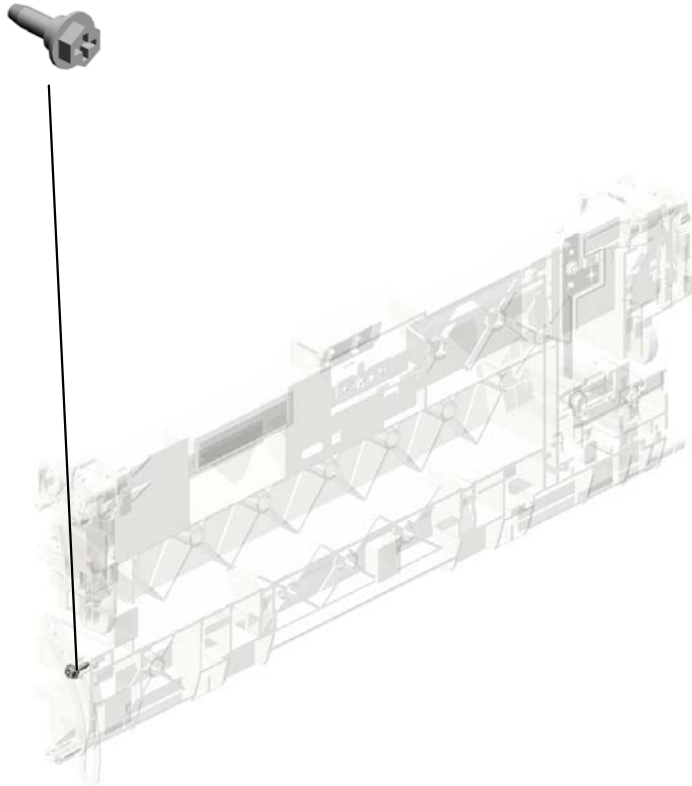
32.D1496241  
LEVER:PRESSURE  
:TRANSFER ROLL  
ER:REAR:DIA15.5



U001	U002	U003	U004	U005	U006	U007	U008	U009	U010	U011	U012	U013	U014	U015	U016
------	------	------	------	------	------	------	------	------	------	------	------	------	------	------	------

U010\_S001\_S001  
GUIDE PLATE:TRANSFER:SECOND:ASS'Y

46.GA143003  
SCREW:MM5:2.5M  
M



48.D1476215  
GUIDE PLATE:TRA  
NSFER:SECOND:A  
SS'Y

U001	U002	U003	U004	U005	U006	U007	U008	U009	U010	U011	U012	U013	U014	U015	U016
------	------	------	------	------	------	------	------	------	------	------	------	------	------	------	------



# U011.FUSING

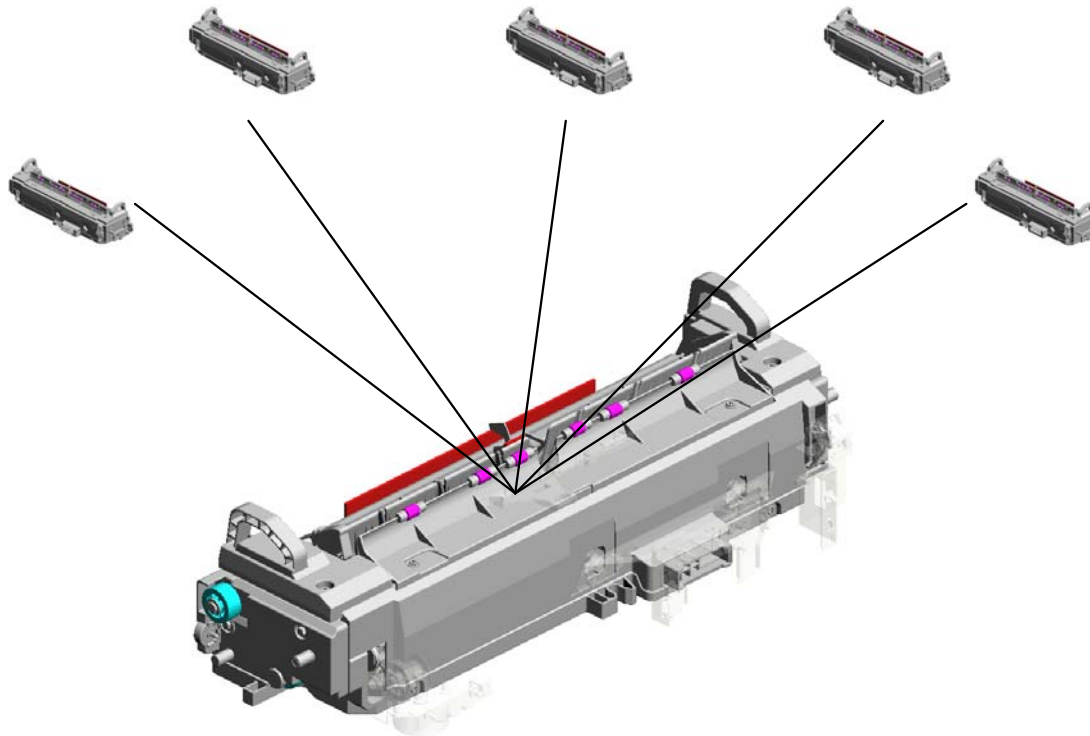
U011\_S001  
D1764010  
(-EU,-AA,-CHN):FUSING UNIT  
:EU:XYZ:SERVICE

U011\_S002  
D1764010  
(-EU,-AA,-CHN):FUSING UNIT  
:EU:XYZ:SERVICE

U011\_S003  
D1764005  
(-NA):FUSING UNIT:SERVICE

U011\_S005  
D1764007  
(-TWN):FUSING UNIT:XYZ:SE  
RVICE

U011\_S004  
D1764010  
(-EU,-AA,-CHN):FUSING UNIT  
:EU:XYZ:SERVICE



U001	U002	U003	U004	U005	U006	U007	U008	U009	U010	U011	U012	U013	U014	U015	U016
------	------	------	------	------	------	------	------	------	------	------	------	------	------	------	------

# U011\_S001.(-EU,-AA,-CHN):FUSING UNIT:EU:XYZ:SERVICE

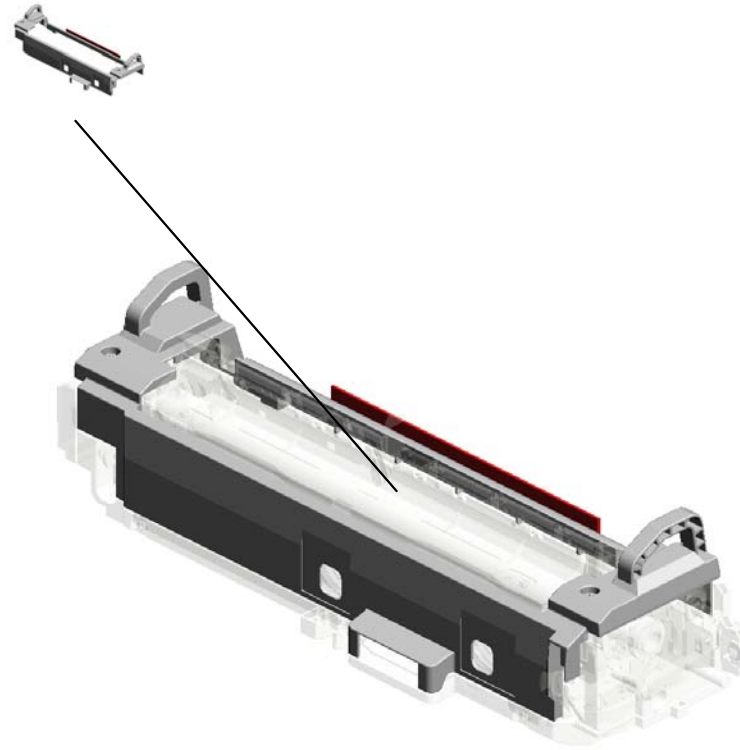
U011\_S001\_S001  
D1494261  
FUSING COVER:UPPER:ASS'  
Y



U001	U002	U003	U004	U005	U006	U007	U008	U009	U010	U011	U012	U013	U014	U015	U016
------	------	------	------	------	------	------	------	------	------	------	------	------	------	------	------

# U011\_S002.(-EU,-AA,-CHN):FUSING UNIT:EU:XYZ:SERVICE

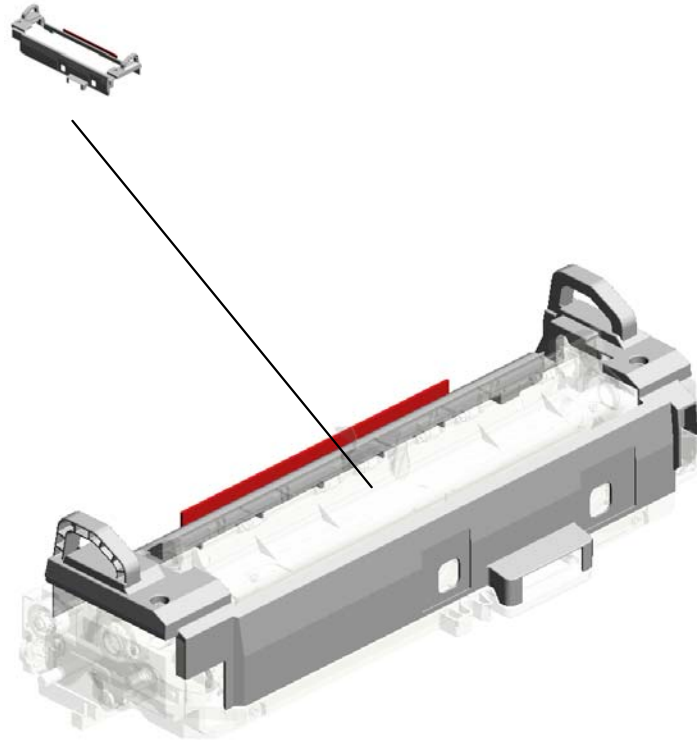
U011\_S002\_S001  
D1494261  
FUSING COVER:UPPER:ASS'  
Y



U001	U002	U003	U004	U005	U006	U007	U008	U009	U010	U011	U012	U013	U014	U015	U016
------	------	------	------	------	------	------	------	------	------	------	------	------	------	------	------

# U011\_S003.(-NA):FUSING UNIT:SERVICE

U011\_S003\_S001  
D1494261  
FUSING COVER:UPPER:ASS'  
Y



U001	U002	U003	U004	U005	U006	U007	U008	U009	U010	U011	U012	U013	U014	U015	U016
------	------	------	------	------	------	------	------	------	------	------	------	------	------	------	------

# U011\_S004.(-EU,-AA,-CHN):FUSING UNIT:EU:XYZ:SERVICE

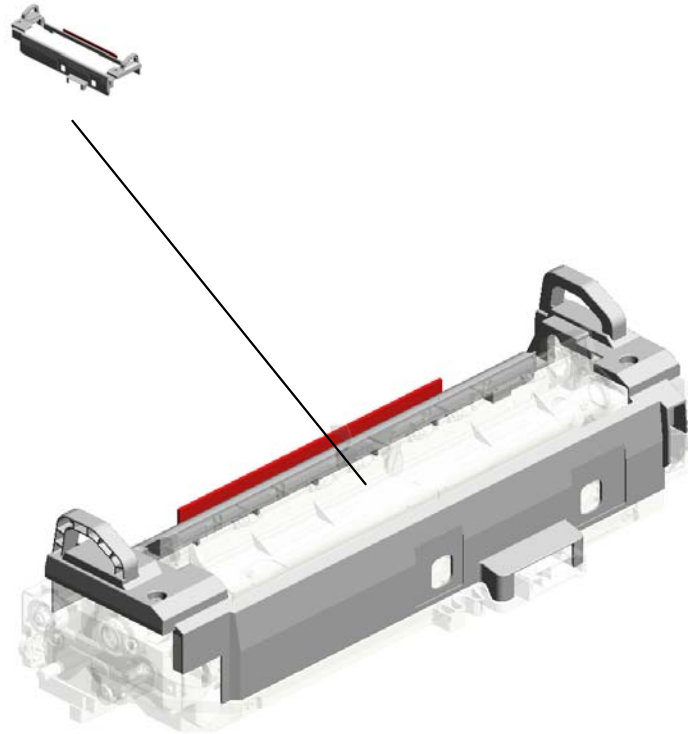
U011\_S004\_S001  
D1494261  
FUSING COVER:UPPER:ASS'  
Y



U001	U002	U003	U004	U005	U006	U007	U008	U009	U010	U011	U012	U013	U014	U015	U016
------	------	------	------	------	------	------	------	------	------	------	------	------	------	------	------

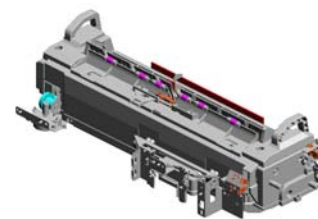
# U011\_S005.(-TWN):FUSING UNIT:XYZ:SERVICE

U011\_S005\_S001  
D1494261  
FUSING COVER:UPPER:ASS'  
Y

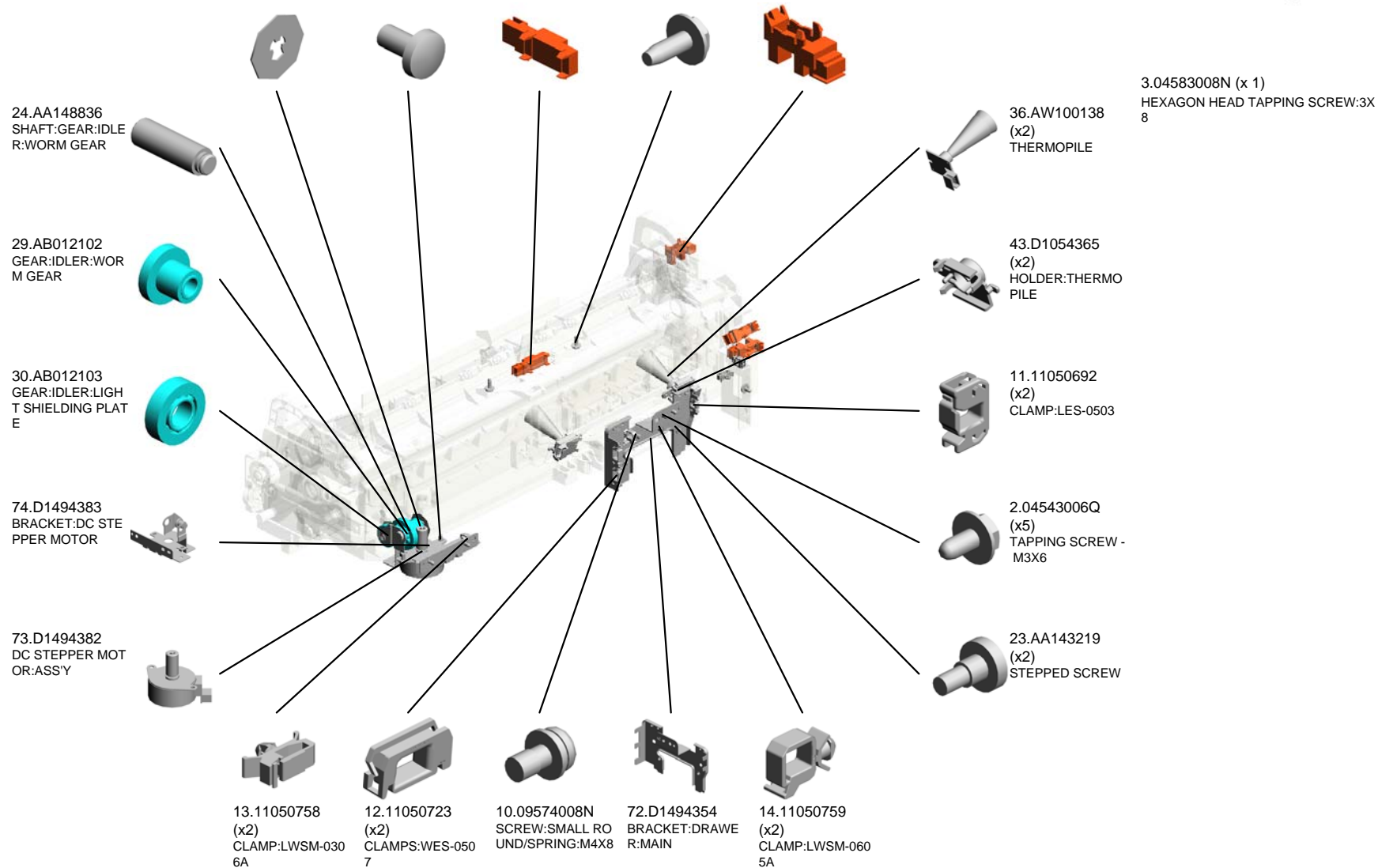


U001	U002	U003	U004	U005	U006	U007	U008	U009	U010	U011	U012	U013	U014	U015	U016
------	------	------	------	------	------	------	------	------	------	------	------	------	------	------	------

# U011 FUSING

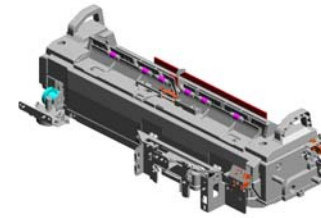


- 7.07200040E (x2) RETAINING RING - M4
- 1.03530060N (x2) BIND SCREW - M3 X6
- 34.AW010147 PHOTO REFLECTI ON SENSOR
- 3.04583008N (x2) HEXAGON HEAD T APPING SCREW:3 X8
- 35.AW020190 (x3) PHOTOINTERRUP TOR

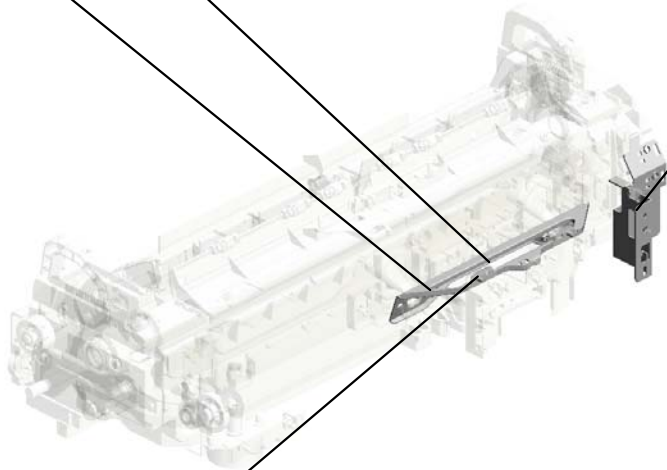


# U011 FUSING

86.D1494363  
BRACKET:THERM  
OPILE



82.08046123  
(x2)  
HEXAGONAL BOLT  
:W/WASHER:M3X8



88.D1494396  
BRACKET:SENSO  
R:LIGHT SHIELDIN  
G PLATE

85.08046129  
(x2)  
HEXAGON HEAD B  
OLT:IB-LOCK:M3X6



U001	U002	U003	U004	U005	U006	U007	U008	U009	U010	U011	U012	U013	U014	U015	U016
------	------	------	------	------	------	------	------	------	------	------	------	------	------	------	------



U011\_S001  
(-EU,-AA,-CHN):FUSING UNIT:EU:XYZ:SERVICE



76.D1764010  
[A]  
(-EU,-AA,-CHN):FU  
SING UNIT:EU:XYZ  
:SERVICE  
201412-03 O/O

5.07200025E RETAINING RING - M2.5  
8.07200060E (x4) RETAINING RING - M6  
28.AB012099 GEAR:ON-OFF:PRESSURE ROLLER  
22.AA120149 DISCHARGE BRUSH:PRESSURE ROLLER  
33.AF040064 (x6) ROLLER:DRIVEN:FUSING EXIT

20.AA061122 TORSION SPRING:STRIPPER PLATE:REAR

27.AB012098 GEAR:PRESSURE ROLLER

32.AE030074 (x2) BALL BEARING: DIA 17X DIA 26 X 5

26.AB012097 GEAR:IDLER:PRESSURE ROLLER

25.AB012096 GEAR:DRIVE:FUSING UNIT

39.AW100154 THERMISTOR:PRESSURE:MIDDLE

10.09574008N SCREW:SMALL ROUND:SPRING:M4X8

31.AE020223 PRESSURE ROLLER: DIA 32: SERVICE PARTS

37.AW100150 NON-CONTACT TYPE THERMISTOR: NC-F10:MIDDLE

38.AW100151 NON-CONTACT TYPE THERMISTOR: NC-F10:FRONT

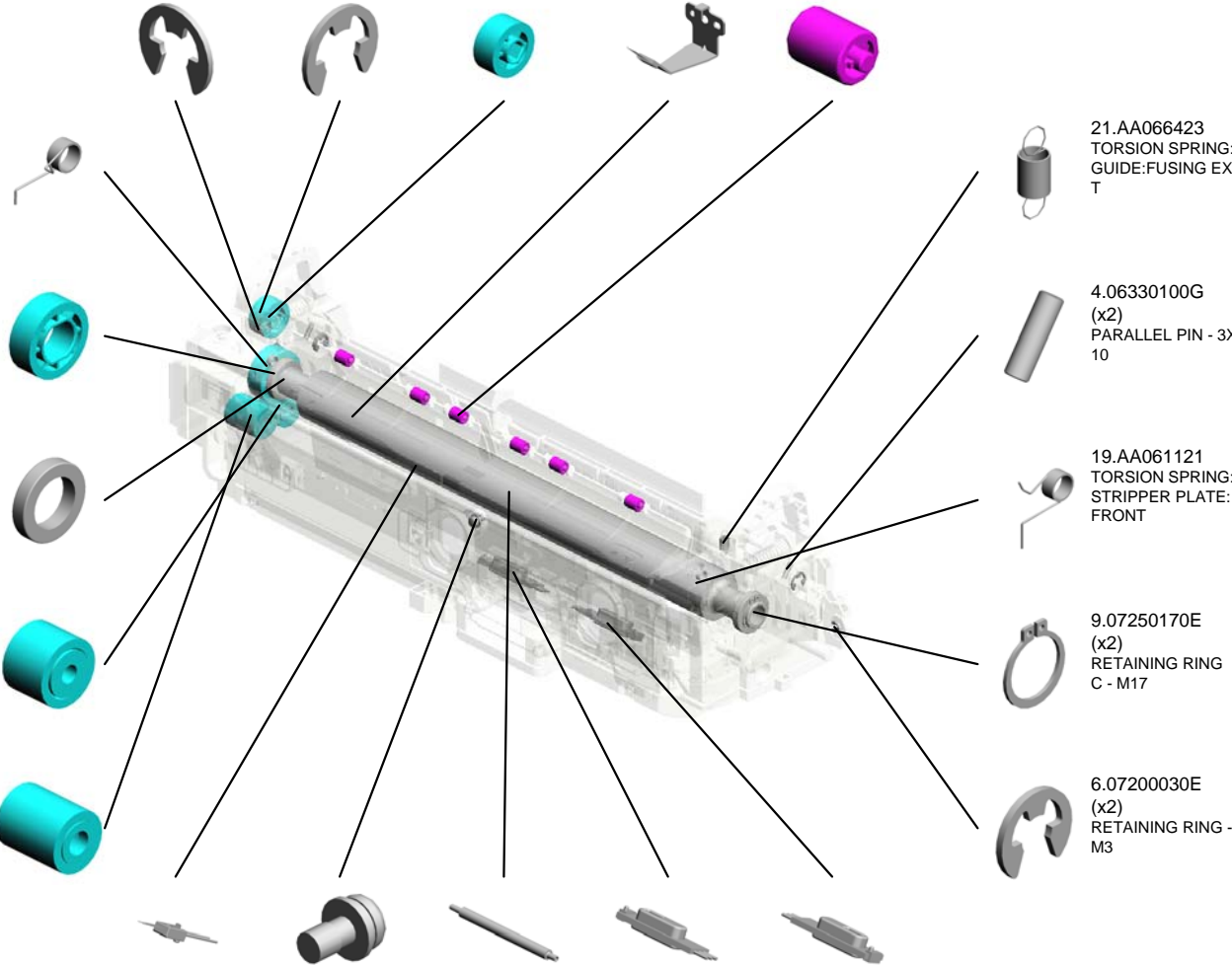
21.AA066423 TORSION SPRING:GUIDE:FUSING EXIT

4.06330100G (x2) PARALLEL PIN - 3X10

19.AA061121 TORSION SPRING:STRIPPER PLATE:FRONT

9.07250170E (x2) RETAINING RING C - M17

6.07200030E (x2) RETAINING RING - M3



U001 U002 U003 U004 U005 U006 U007 U008 U009 U010 U011 U012 U013 U014 U015 U016

U011\_S001  
 (-EU,-AA,-CHN):FUSING UNIT:EU:XYZ:SERVICE

52.D1494208  
 (x2)  
 CAM:ON-OFF:PRESSURE ROLLER

50.D1494205  
 (x2)  
 BRAKE:CAM

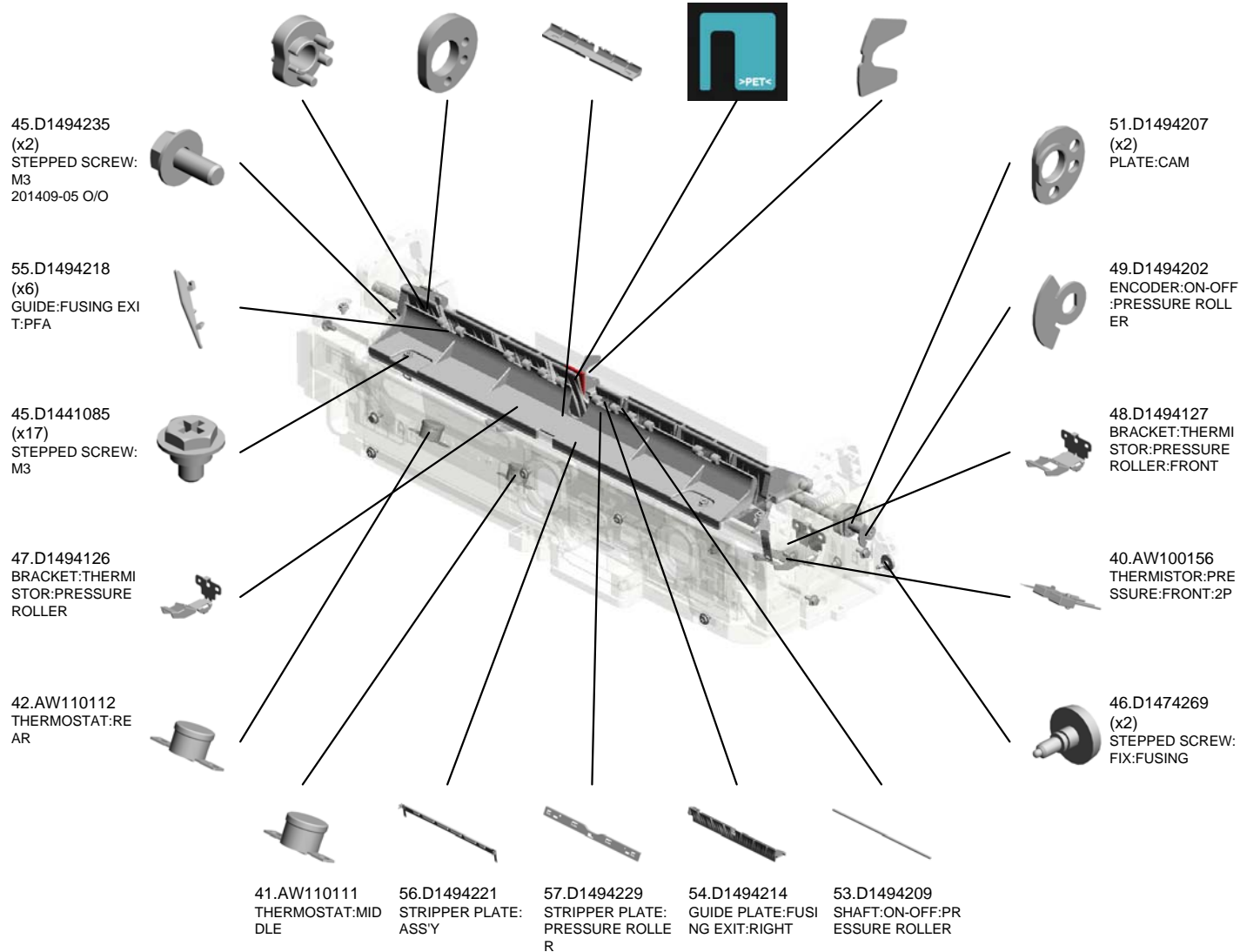
58.D1494234  
 GUIDE PLATE:FUSING EXIT:LEFT

60.D1494246  
 DECAL:GUIDE PLATE:FUSING EXIT

59.D1494245  
 SHEET:C:GUIDE PLATE:FUSING EXIT

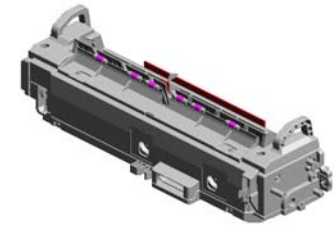


76.D1764010  
 [A]  
 (-EU,-AA,-CHN):FUSING UNIT:EU:XYZ:SERVICE  
 201412-03 O/O



U011\_S001  
 (-EU,-AA,-CHN):FUSING UNIT:EU:XYZ:SERVICE

- 64.D1494278 FUSING COVER:R EAR
- 66.D1494332 HOUSING:THERM OSTAT
- 82.08046123 (x12) HEXAGONAL BOLT :WASHER:M3X8
- 79.D1764042**  
 (-EU,-AA,-CHN):SL  
 EEVE:FUSING:EU:  
 XYZ:SERVICE  
 201507-08 O/O



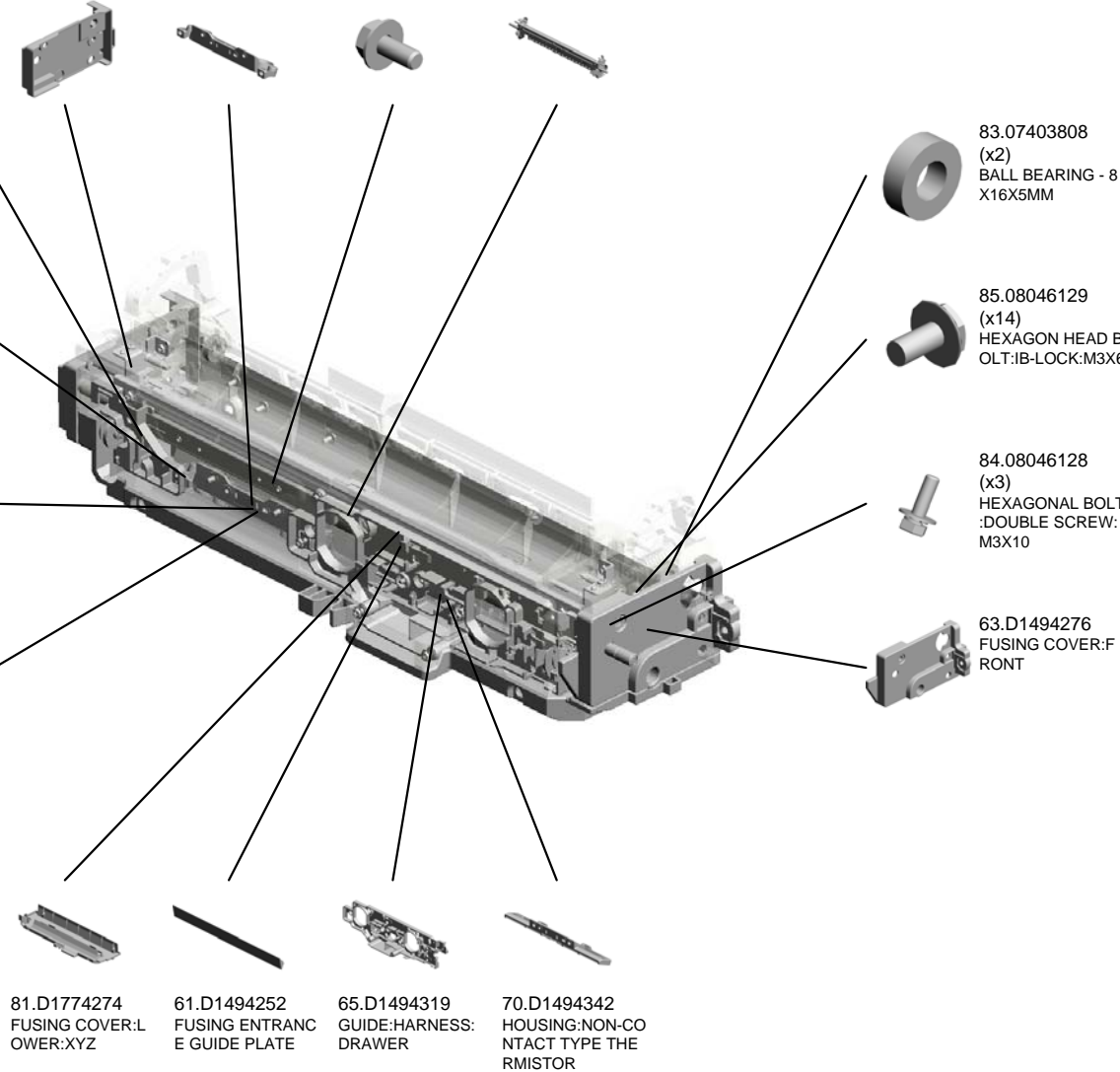
76.D1764010  
**[A]**  
 (-EU,-AA,-CHN):FU  
 SING UNIT:EU:XYZ  
 :SERVICE  
 201412-03 O/O

71.D1494346  
 GUIDE:HARNES:  
 HEATER

69.D1494337  
 (x2)  
 TERMINAL:THERM  
 OSTAT

67.D1494334  
 COVER:HOUSING:  
 THERMOSTAT

68.D1494335  
 ELECTRODE PLAT  
 E:CONNECTING:T  
 HERMOSTAT



- 81.D1774274 FUSING COVER:L OWER:XYZ
- 61.D1494252 FUSING ENTRANC E GUIDE PLATE
- 65.D1494319 GUIDE:HARNES:  
DRAWER
- 70.D1494342 HOUSING:NON-CO NTACT TYPE THE RMISTOR

83.07403808  
 (x2)  
 BALL BEARING - 8  
 X16X5MM

85.08046129  
 (x14)  
 HEXAGON HEAD B  
 OLT:IB-LOCK:M3X6

84.08046128  
 (x3)  
 HEXAGONAL BOLT  
 :DOUBLE SCREW:  
 M3X10

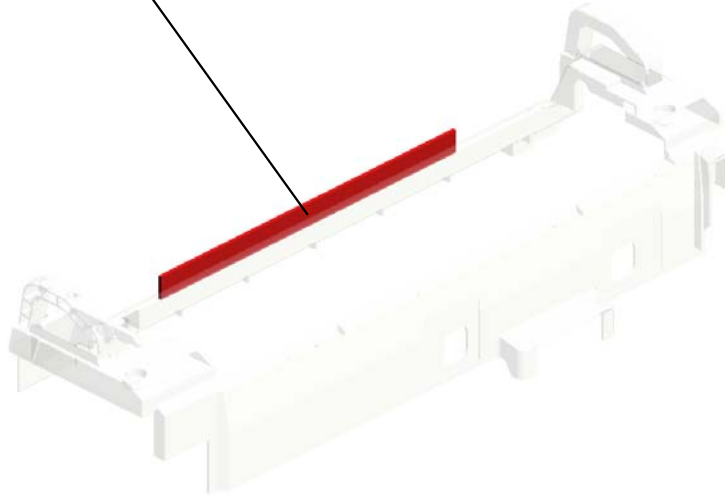
63.D1494276  
 FUSING COVER:F  
 RONT



D1764006  
**[A]**  
 (-EU,-AA,-CHN):FU  
 SING UNIT:XYZ:SE  
 RVICE  
 201412-03 O/O

U011\_S001\_S001  
FUSING COVER:UPPER:ASS'Y

44.D1124264  
DECAL:WARNING (HIGH TEMPERATU  
RE):FUSING



62.D1494261  
FUSING COVER:U  
PPER:ASS'Y

U001	U002	U003	U004	U005	U006	U007	U008	U009	U010	U011	U012	U013	U014	U015	U016
------	------	------	------	------	------	------	------	------	------	------	------	------	------	------	------

U011\_S002  
 (-EU,-AA,-CHN):FUSING UNIT:EU:XYZ:SERVICE



76.D1764010  
 [A]  
 (-EU,-AA,-CHN):FU  
 SING UNIT:EU:XYZ  
 :SERVICE  
 201412-03 O/O

- 5.07200025E RETAINING RING - M2.5
- 8.07200060E (x4) RETAINING RING - M6
- 28.AB012099 GEAR:ON-OFF:PRESSURE ROLLER
- 22.AA120149 DISCHARGE BRUSH:PRESSURE ROLLER
- 33.AF040064 (x6) ROLLER:DRIVEN:FUSING EXIT

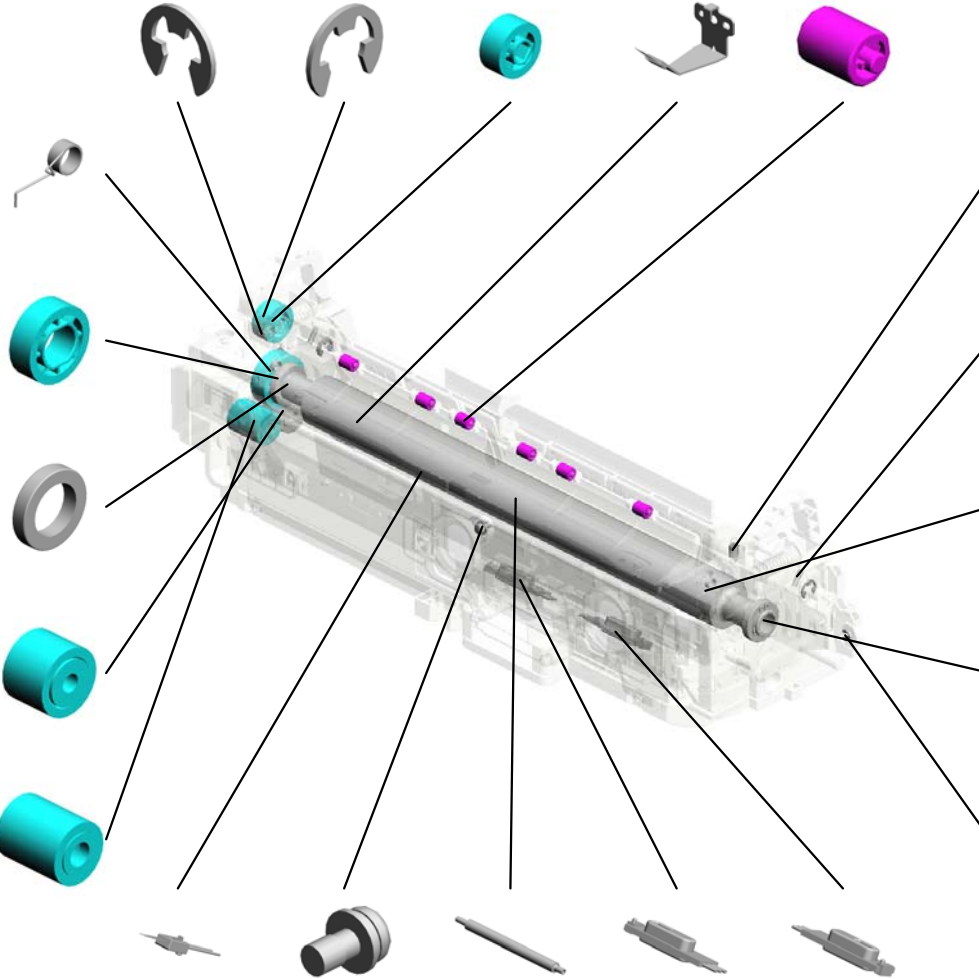
20.AA061122 TORSION SPRING:STRIPPER PLATE:REAR

27.AB012098 GEAR:PRESSURE ROLLER

32.AE030074 (x2) BALL BEARING: DIA 17X DIA 26 X 5

26.AB012097 GEAR:IDLER:PRESSURE ROLLER

25.AB012096 GEAR:DRIVE:FUSING UNIT



21.AA066423 TORSION SPRING:GUIDE:FUSING EXIT



12.11050723 CLAMPS:WES-0507

4.06330100G (x2) PARALLEL PIN - 3X10

19.AA061121 TORSION SPRING:STRIPPER PLATE:FRONT

9.07250170E (x2) RETAINING RING C - M17

6.07200030E (x2) RETAINING RING - M3

- 39.AW100154 THERMISTOR:PRESSURE:MIDDLE
- 10.09574008N SCREW:SMALL ROUND:SPRING:M4X8
- 31.AE020223 PRESSURE ROLLER: DIA 32: SERVICE PARTS
- 37.AW100150 NON-CONTACT TYPE THERMISTOR: NC-F10:MIDDLE
- 38.AW100151 NON-CONTACT TYPE THERMISTOR: NC-F10:FRONT

U001	U002	U003	U004	U005	U006	U007	U008	U009	U010	U011	U012	U013	U014	U015	U016
------	------	------	------	------	------	------	------	------	------	------	------	------	------	------	------

U011\_S002  
 (-EU,-AA,-CHN):FUSING UNIT:EU:XYZ:SERVICE

52.D1494208  
 (x2)  
 CAM:ON-OFF:PRESSURE ROLLER

50.D1494205  
 (x2)  
 BRAKE:CAM

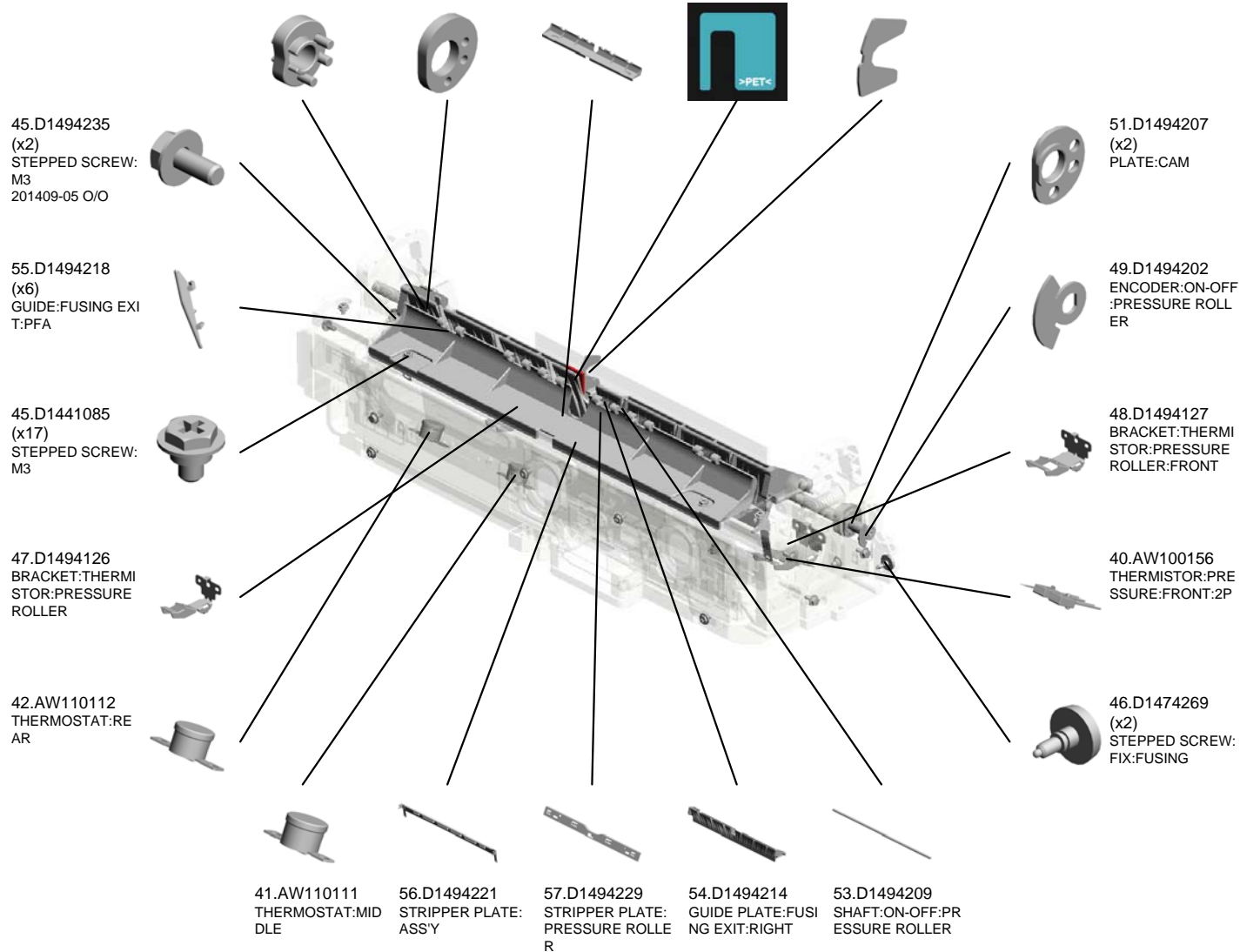
58.D1494234  
 GUIDE PLATE:FUSING EXIT:LEFT

60.D1494246  
 DECAL:GUIDE PLATE:FUSING EXIT

59.D1494245  
 SHEET:C:GUIDE PLATE:FUSING EXIT



76.D1764010  
 [A]  
 (-EU,-AA,-CHN):FUSING UNIT:EU:XYZ:SERVICE  
 201412-03 O/O



U011\_S002  
 (-EU,-AA,-CHN):FUSING UNIT:EU:XYZ:SERVICE

- 64.D1494278 FUSING COVER:R  
EAR
- 66.D1494332 HOUSING:THERM  
OSTAT
- 82.08046123 (x12)  
HEXAGONAL BOLT  
:WASHER:M3X8
- 79.D1764042**  
**(-EU,-AA,-CHN):SL**  
**EVE:FUSING:EU:**  
**XYZ:SERVICE**  
201507-08 O/O



76.D1764010  
**[A]**  
 (-EU,-AA,-CHN):FU  
 SING UNIT:EU:XYZ  
 :SERVICE  
 201412-03 O/O

71.D1494346  
 GUIDE:HARNES:  
 HEATER



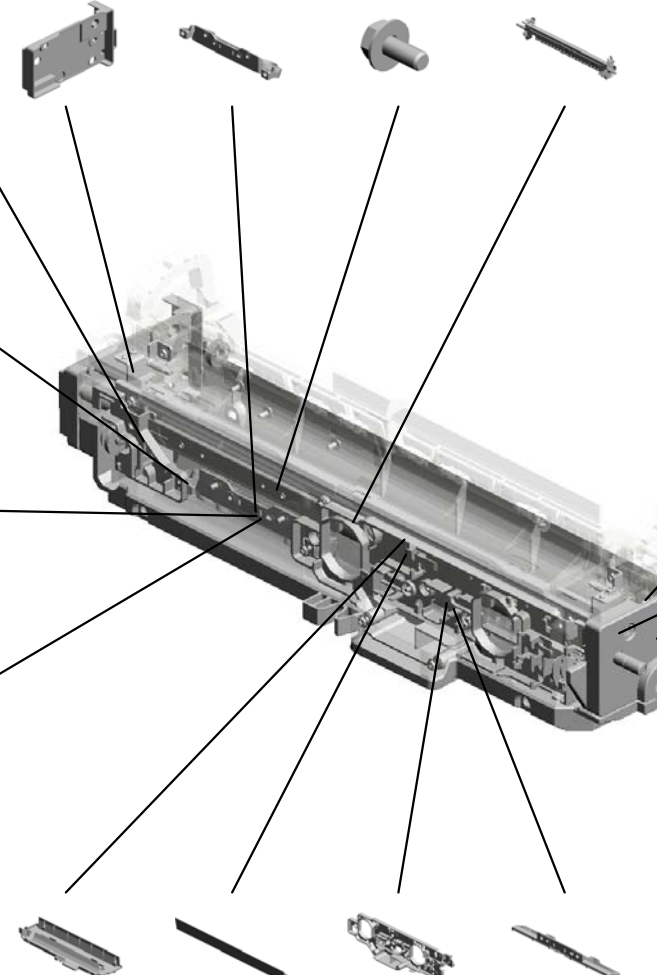
69.D1494337  
 (x2)  
 TERMINAL:THERM  
 OSTAT



67.D1494334  
 COVER:HOUSING:  
 THERMOSTAT



68.D1494335  
 ELECTRODE PLAT  
 E:CONNECTING:T  
 HERMOSTAT



83.07403808  
 (x2)  
 BALL BEARING - 8  
 X16X5MM



85.08046129  
 (x14)  
 HEXAGON HEAD B  
 OLT:IB-LOCK:M3X6



84.08046128  
 (x3)  
 HEXAGONAL BOLT  
 :DOUBLE SCREW:  
 M3X10



63.D1494276  
 FUSING COVER:F  
 RONT



81.D1774274  
 FUSING COVER:L  
 OWER:XYZ



61.D1494252  
 FUSING ENTRANC  
 E GUIDE PLATE



65.D1494319  
 GUIDE:HARNES:  
 DRAWER



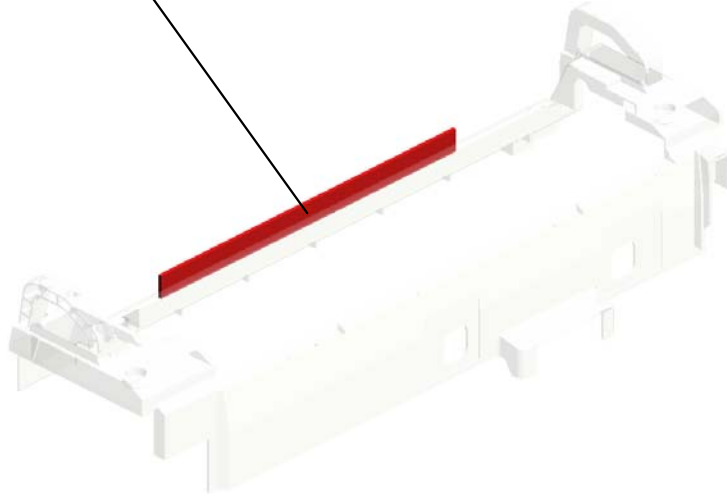
70.D1494342  
 HOUSING:NON-CO  
 NTACTION TYPE THER  
 MISTOR



D1764006  
**[A]**  
 (-EU,-AA,-CHN):FU  
 SING UNIT:XYZ:SE  
 RVICE  
 201412-03 O/O

U011\_S002\_S001  
FUSING COVER:UPPER:ASS'Y

44.D1124264  
DECAL:WARNING (HIGH TEMPERATU  
RE):FUSING



62.D1494261  
FUSING COVER:U  
PPER:ASS'Y

U001	U002	U003	U004	U005	U006	U007	U008	U009	U010	U011	U012	U013	U014	U015	U016
------	------	------	------	------	------	------	------	------	------	------	------	------	------	------	------

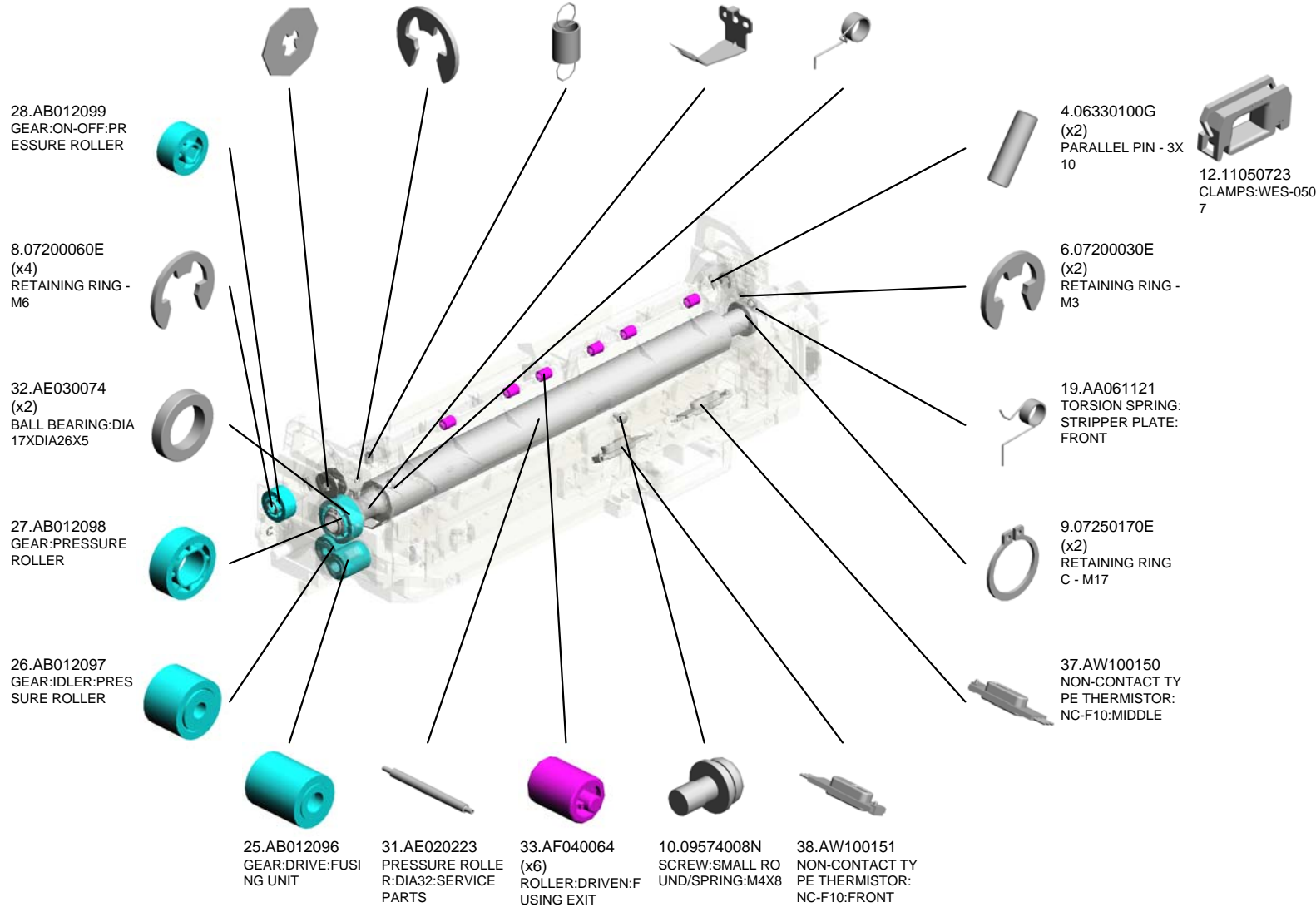


U011\_S003  
(-NA):FUSING UNIT:SERVICE

- 7.07200040E (x2) RETAINING RING - M4
- 5.07200025E RETAINING RING - M2.5
- 21.AA066423 TORSION SPRING: GUIDE:FUSING EXIT
- 22.AA120149 DISCHARGE BRUSH:PRESSURE ROLLER
- 20.AA061122 TORSION SPRING: STRIPPER PLATE: REAR



75.D1764005  
(-NA):FUSING UNIT  
:SERVICE



U011\_S003  
(-NA):FUSING UNIT:SERVICE

55.D1494218 (x6) GUIDE:FUSING EXIT:PFA  
 45.D1441085 (x17) STEPPED SCREW:M3  
 53.D1494209 SHAFT:ON-OFF:PRESSURE ROLLER  
 59.D1494245 SHEET:C:GUIDE PLATE:FUSING EXIT  
 54.D1494214 GUIDE PLATE:FUSING EXIT:RIGHT



75.D1764005  
(-NA):FUSING UNIT  
:SERVICE

47.D1494126  
BRACKET:THERMISTOR:PRESSURE ROLLER

50.D1494205 (x2)  
BRAKE:CAM

52.D1494208 (x2)  
CAM:ON-OFF:PRESSURE ROLLER

39.AW100154  
THERMISTOR:PRESSURE:MIDDLE

45.D1494235 (x2)  
STEPPED SCREW:M3  
201409-05 O/O

42.AW110112  
THERMOSTAT:REAR

41.AW110111  
THERMOSTAT:MIDDLE

57.D1494229  
STRIPPER PLATE:PRESSURE ROLLER

56.D1494221  
STRIPPER PLATE:ASSY

58.D1494234  
GUIDE PLATE:FUSING EXIT:LEFT

49.D1494202  
ENCODER:ON-OFF:PRESSURE ROLLER

51.D1494207 (x2)  
PLATE:CAM

46.D1474269 (x2)  
STEPPED SCREW:FIX:FUSING

48.D1494127  
BRACKET:THERMISTOR:PRESSURE ROLLER:FRONT

40.AW100156  
THERMISTOR:PRESSURE:FRONT:2P

U011\_S003  
(-NA):FUSING UNIT:SERVICE

60.D1494246  
DECAL:GUIDE PLATE:FUSING EXIT

81.D1774274  
FUSING COVER:LOWER:XYZ

61.D1494252  
FUSING ENTRANCE GUIDE PLATE

85.08046129  
(x14)  
HEXAGONAL HEAD BOLT:IB-LOCK:M3X6

83.07403808  
(x2)  
BALL BEARING - 8 X16X5MM



**75.D1764005**  
**(-NA):FUSING UNIT**  
**:SERVICE**



82.08046123  
(x12)  
HEXAGONAL BOLT:W/WASHER:M3X8

64.D1494278  
FUSING COVER:REAR

69.D1494337  
(x2)  
TERMINAL:THERMOSTAT

71.D1494346  
GUIDE:HARNES:HEATER

68.D1494335  
ELECTRODE PLATE:CONNECTING:THERMOSTAT

66.D1494332  
HOUSING:THERMOSTAT

67.D1494334  
COVER:HOUSING:THERMOSTAT

63.D1494276  
FUSING COVER:FRONT

84.08046128  
(x3)  
HEXAGONAL BOLT:DOUBLE SCREW:M3X10

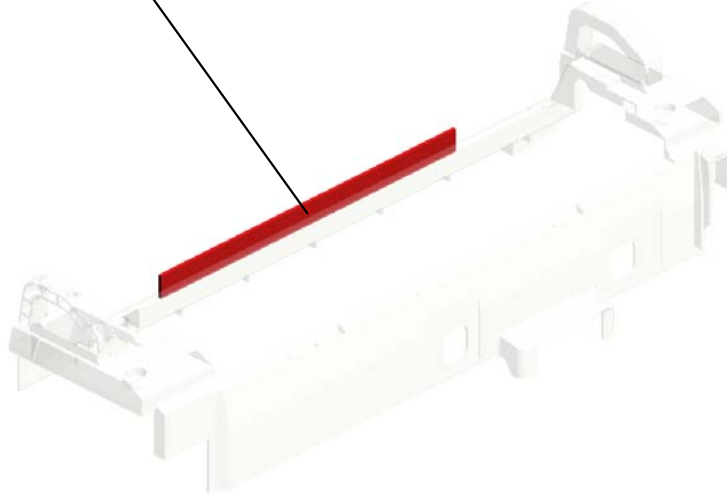
65.D1494319  
GUIDE:HARNES:DRAWER

70.D1494342  
HOUSING:NON-CONTACT TYPE THERMISTOR

**78.D1764031**  
**(-NA):SLEEVE:FUSING UNIT:SERVICE**

U011\_S003\_S001  
FUSING COVER:UPPER:ASS'Y

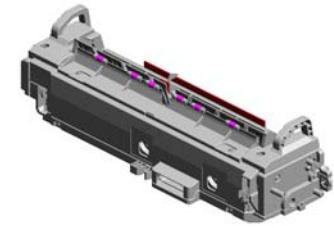
44.D1124264  
DECAL:WARNING (HIGH TEMPERATU  
RE):FUSING



62.D1494261  
FUSING COVER:U  
PPER:ASS'Y

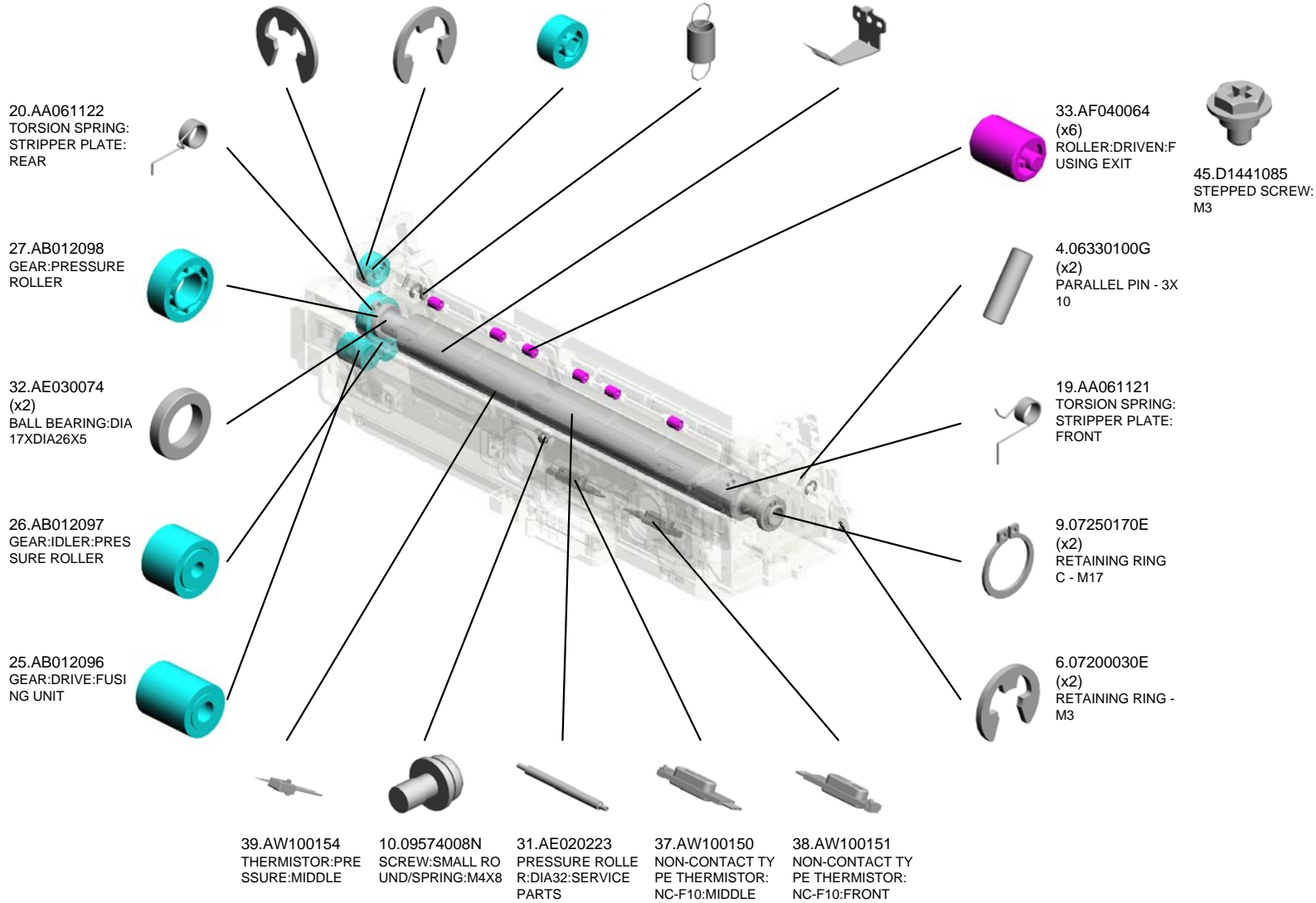
U001	U002	U003	U004	U005	U006	U007	U008	U009	U010	U011	U012	U013	U014	U015	U016
------	------	------	------	------	------	------	------	------	------	------	------	------	------	------	------

U011\_S004  
 (-EU,-AA,-CHN):FUSING UNIT:EU:XYZ:SERVICE



76.D1764010  
 [A]  
 (-EU,-AA,-CHN):FU  
 SING UNIT:EU:XYZ  
 :SERVICE  
 201412-03 O/O

5.07200025E RETAINING RING - M2.5  
 8.07200060E (x4) RETAINING RING - M6  
 28.AB012099 GEAR:ON-OFF:PRESSURE ROLLER  
 21.AA066423 TORSION SPRING: GUIDE:FUSING EXIT  
 22.AA120149 DISCHARGE BRUSH:PRESSURE ROLLER



U001	U002	U003	U004	U005	U006	U007	U008	U009	U010	U011	U012	U013	U014	U015	U016
------	------	------	------	------	------	------	------	------	------	------	------	------	------	------	------

U011\_S004  
 (-EU,-AA,-CHN):FUSING UNIT:EU:XYZ:SERVICE

50.D1494205  
 (x2)  
 BRAKE:CAM

52.D1494208  
 (x2)  
 CAM:ON-OFF:PRESSURE ROLLER

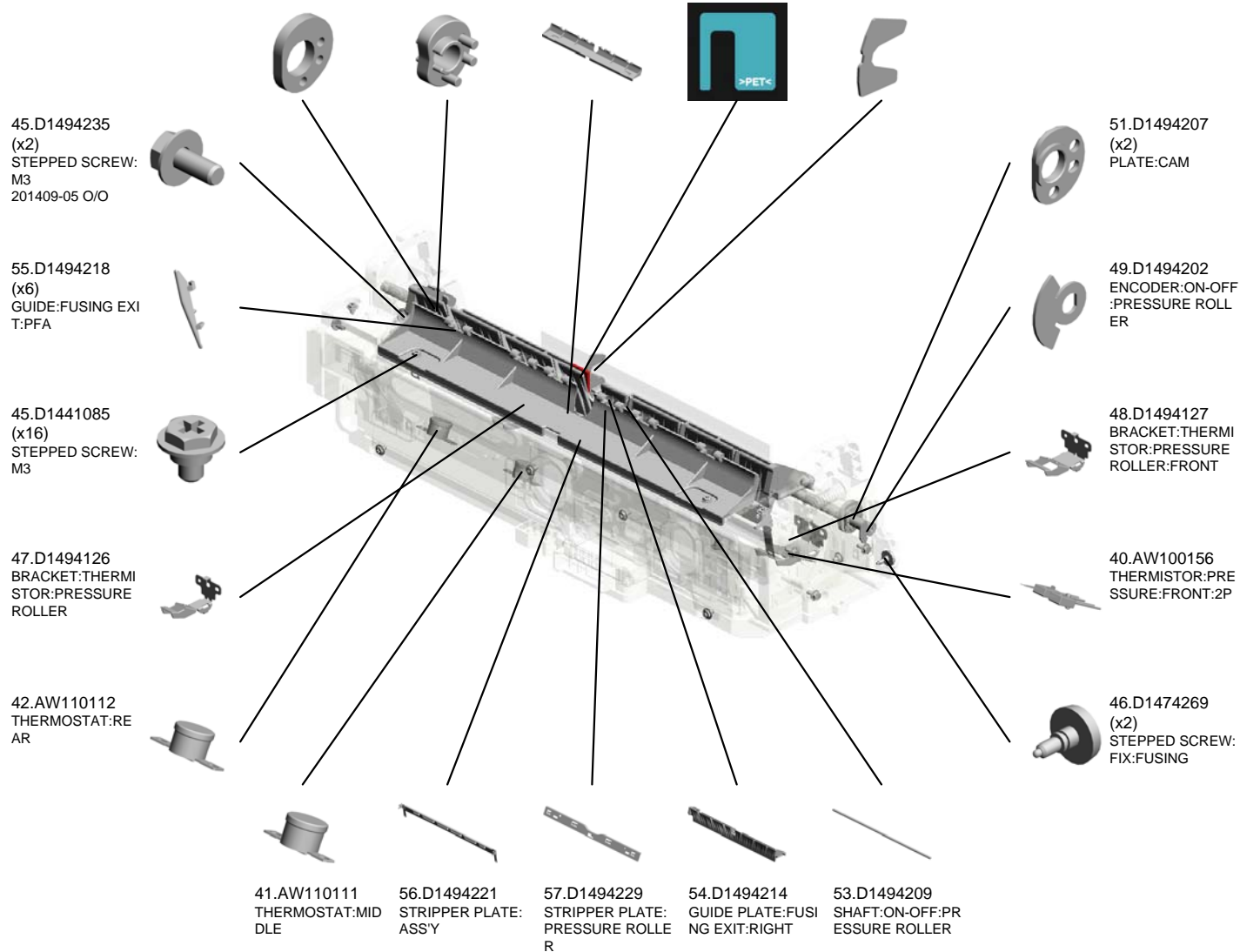
58.D1494234  
 GUIDE PLATE:FUSING EXIT:LEFT

60.D1494246  
 DECAL:GUIDE PLATE:FUSING EXIT

59.D1494245  
 SHEET:C:GUIDE PLATE:FUSING EXIT

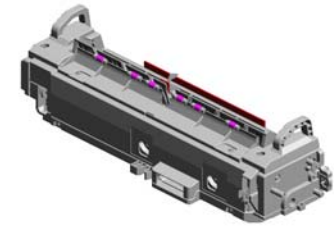


76.D1764010  
 [A]  
 (-EU,-AA,-CHN):FUSING UNIT:EU:XYZ:SERVICE  
 201412-03 O/O



U011\_S004  
 (-EU,-AA,-CHN):FUSING UNIT:EU:XYZ:SERVICE

64.D1494278 FUSING COVER:R  
 EAR  
 66.D1494332 HOUSING:THERM  
 OSTAT  
 82.08046123 (x12)  
 HEXAGONAL BOLT  
 :WASHER:M3X8  
**79.D1764042**  
**(-EU,-AA,-CHN):SL**  
**EVE:FUSING:EU:**  
**XYZ:SERVICE**  
 201507-08 O/O



76.D1764010  
**[A]**  
 (-EU,-AA,-CHN):FU  
 SING UNIT:EU:XYZ  
 :SERVICE  
 201412-03 O/O

71.D1494346  
 GUIDE:HARNES:  
 HEATER



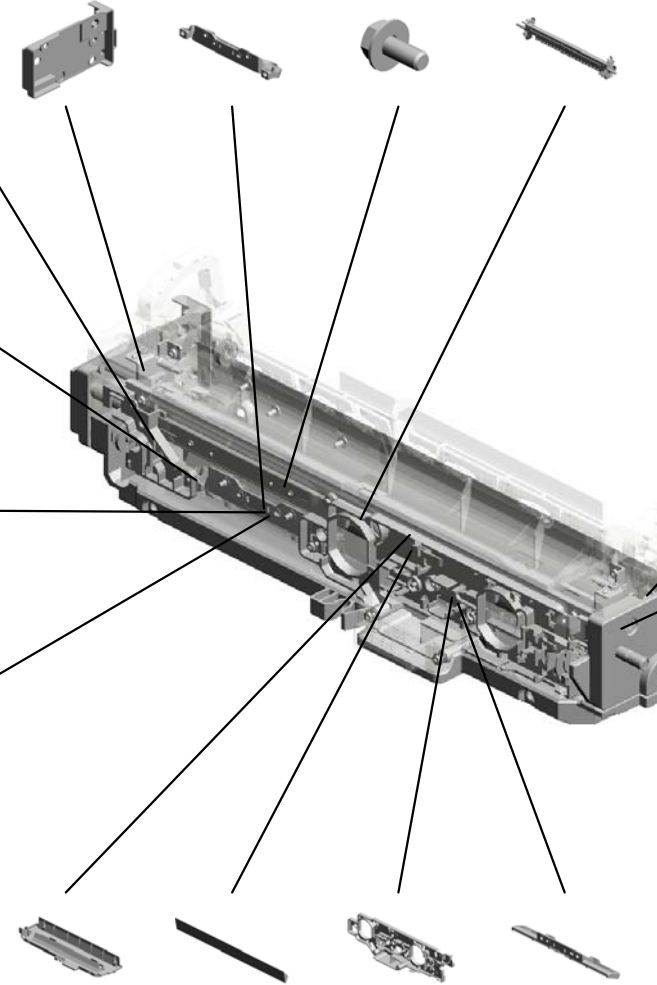
69.D1494337  
 (x2)  
 TERMINAL:THERM  
 OSTAT



67.D1494334  
 COVER:HOUSING:  
 THERMOSTAT



68.D1494335  
 ELECTRODE PLAT  
 E:CONNECTING:T  
 HERMOSTAT



83.07403808  
 (x2)  
 BALL BEARING - 8  
 X16X5MM



85.08046129  
 (x14)  
 HEXAGON HEAD B  
 OLT:IB-LOCK:M3X6



84.08046128  
 (x3)  
 HEXAGONAL BOLT  
 :DOUBLE SCREW:  
 M3X10



63.D1494276  
 FUSING COVER:F  
 RONT



81.D1774274  
 FUSING COVER:L  
 OWER:XYZ



61.D1494252  
 FUSING ENTRANC  
 E GUIDE PLATE



65.D1494319  
 GUIDE:HARNES:  
 DRAWER



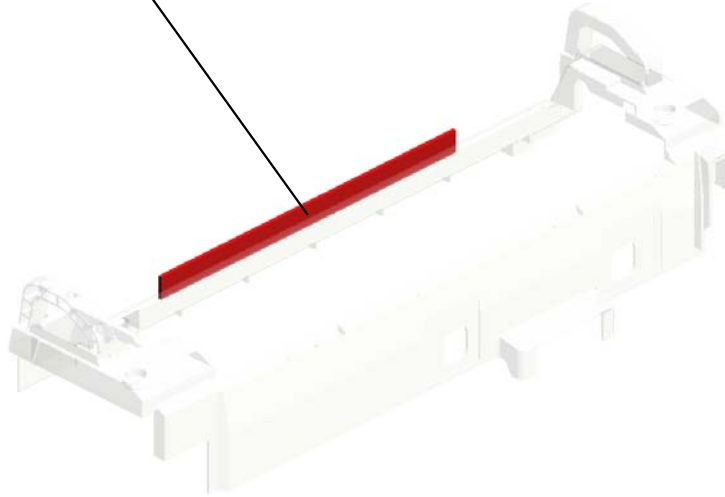
70.D1494342  
 HOUSING:NON-CO  
 NTACTION TYPE THER  
 MISTOR



D1764006  
**[A]**  
 (-EU,-AA,-CHN):FU  
 SING UNIT:XYZ:SE  
 RVICE  
 201412-03 O/O

U011\_S004\_S001  
FUSING COVER:UPPER:ASS'Y

44.D1124264  
DECAL:WARNING (HIGH TEMPERATU  
RE):FUSING



62.D1494261  
FUSING COVER:U  
PPER:ASS'Y

U001	U002	U003	U004	U005	U006	U007	U008	U009	U010	U011	U012	U013	U014	U015	U016
------	------	------	------	------	------	------	------	------	------	------	------	------	------	------	------



U011\_S005  
(-TWN):FUSING UNIT:XYZ:SERVICE

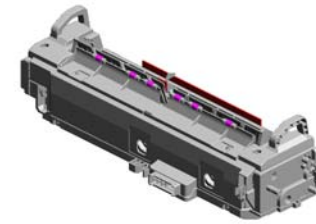
32.AE030074  
(x2)  
BALL BEARING: DIA  
17XDIA26X5

5.07200025E  
RETAINING RING -  
M2.5

21.AA066423  
TORSION SPRING:  
GUIDE:FUSING EXI  
T

22.AA120149  
DISCHARGE BRUS  
H:PRESSURE ROL  
LER

20.AA061122  
TORSION SPRING:  
STRIPPER PLATE:  
REAR



77.D1764007  
(-TWN):FUSING UNI  
T:XYZ:SERVICE

28.AB012099  
GEAR:ON-OFF:PR  
ESSURE ROLLER



8.07200060E  
(x4)  
RETAINING RING -  
M6



27.AB012098  
GEAR:PRESSURE  
ROLLER



26.AB012097  
GEAR:IDLER:PRES  
SURE ROLLER



25.AB012096  
GEAR:DRIVE:FUSI  
NG UNIT



39.AW100154  
THERMISTOR:PRE  
SSURE:MIDDLE

31.AE020223  
PRESSURE ROLLE  
R:DIA32:SERVICE  
PARTS

33.AF040064  
(x6)  
ROLLER:DRIVEN:F  
USING EXIT

10.09574008N  
SCREW:SMALL RO  
UND/SPRING:M4X8

37.AW100150  
NON-CONTACT TY  
PE THERMISTOR:  
NC-F10:MIDDLE

4.06330100G  
(x2)  
PARALLEL PIN - 3X  
10



45.D1441085  
STEPPED SCREW:  
M3

6.07200030E  
(x2)  
RETAINING RING -  
M3



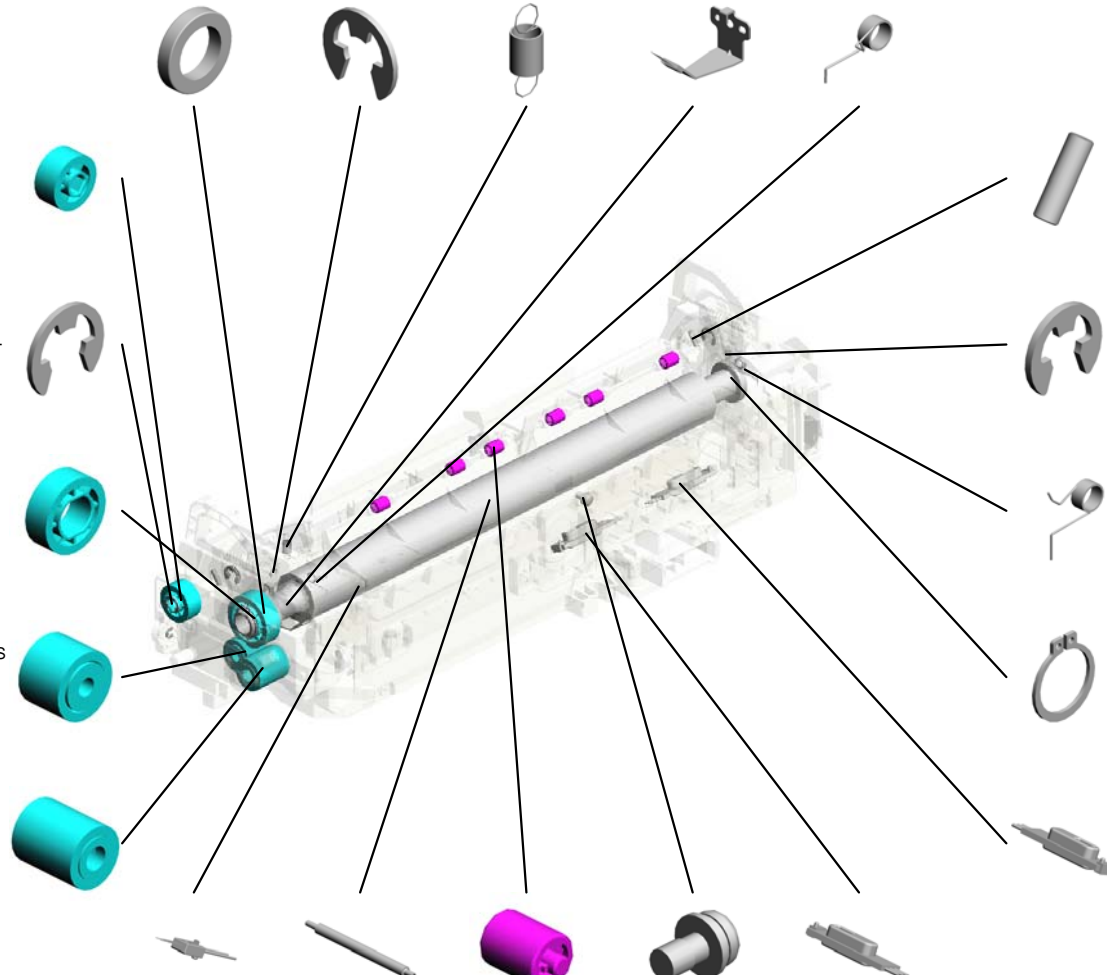
19.AA061121  
TORSION SPRING:  
STRIPPER PLATE:  
FRONT



9.07250170E  
(x2)  
RETAINING RING  
C - M17



38.AW100151  
NON-CONTACT TY  
PE THERMISTOR:  
NC-F10:FRONT

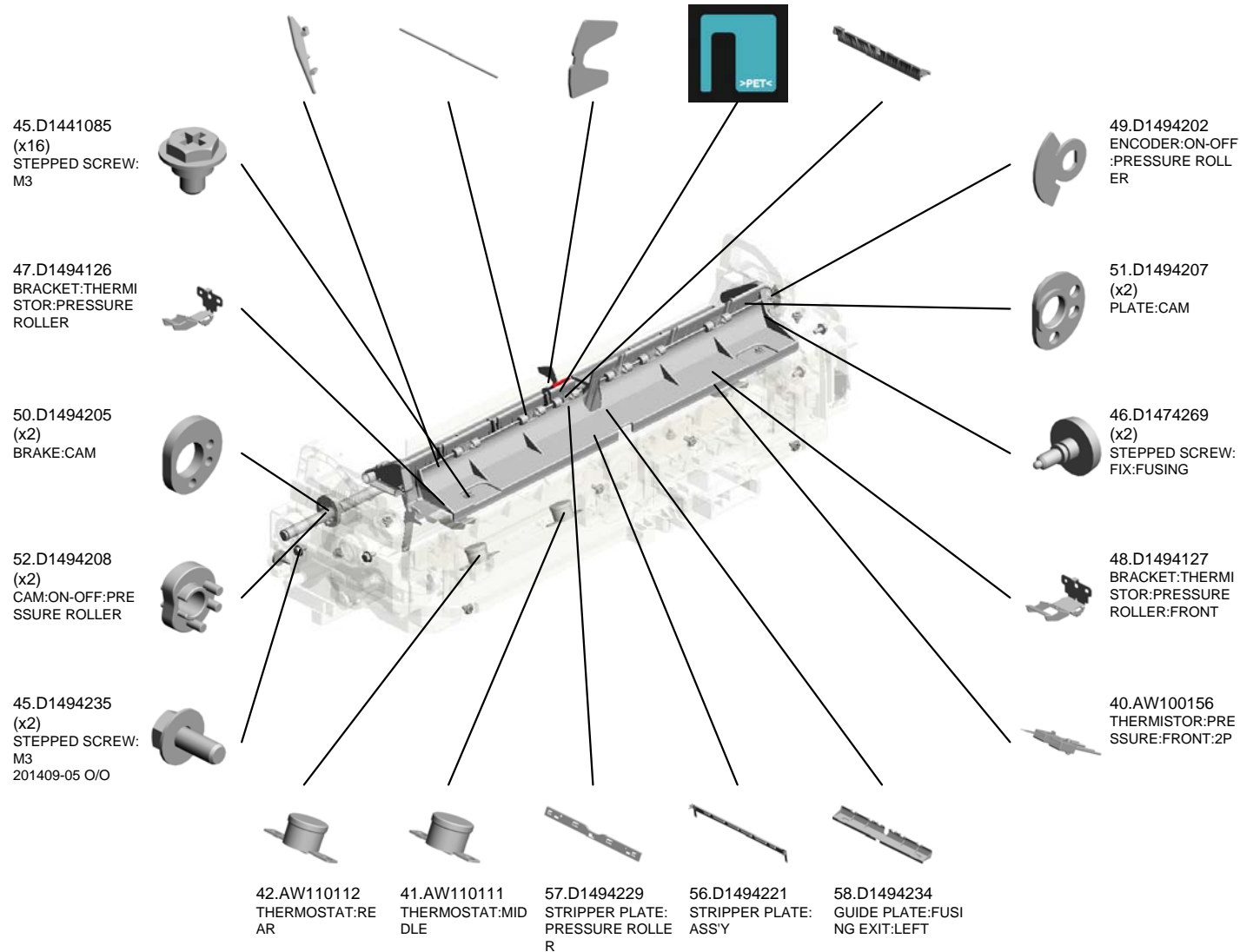


U011\_S005  
(-TWN):FUSING UNIT:XYZ:SERVICE

55.D1494218 (x6) GUIDE:FUSING EXIT:PFA  
53.D1494209 SHAFT:ON-OFF:PRESSURE ROLLER  
59.D1494245 SHEET:C:GUIDE PLATE:FUSING EXIT  
60.D1494246 DECAL:GUIDE PLATE:FUSING EXIT  
54.D1494214 GUIDE PLATE:FUSING EXIT:RIGHT

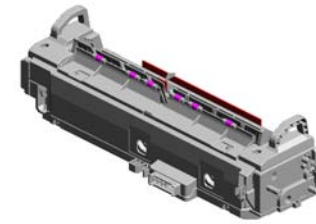


77.D1764007 (-TWN):FUSING UNIT:XYZ:SERVICE

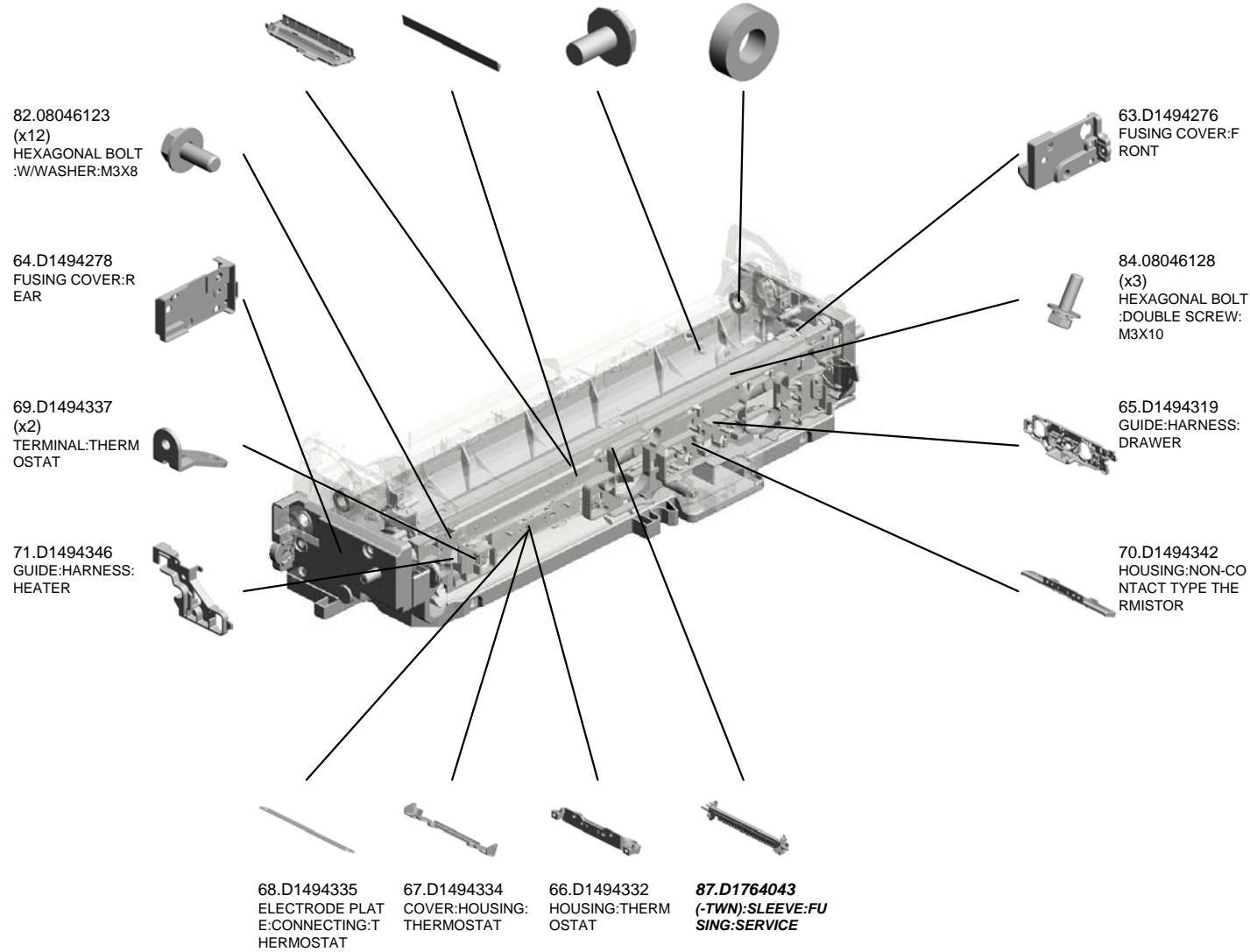


U011\_S005  
 (-TWN):FUSING UNIT:XYZ:SERVICE

81.D1774274 FUSING COVER:L  
 OWER:XYZ  
 61.D1494252 FUSING ENTRANC  
 E GUIDE PLATE  
 85.08046129 (x14)  
 HEXAGON HEAD B  
 OLT:IB-LOCK:M3X6  
 83.07403808 (x2)  
 BALL BEARING - 8  
 X16X5MM



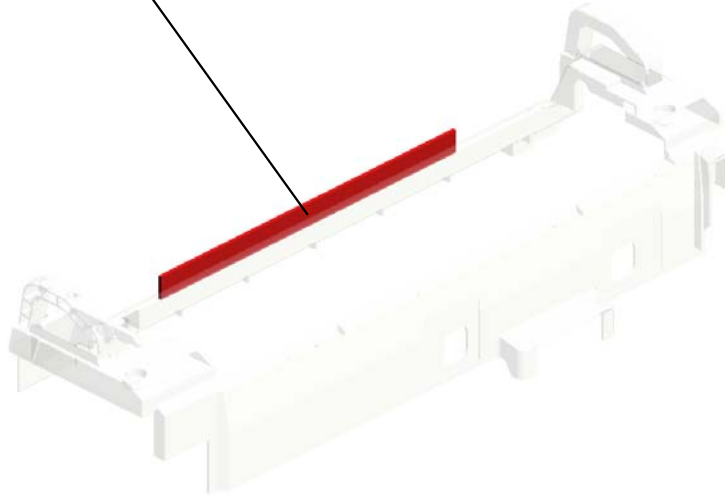
**77.D1764007**  
 (-TWN):FUSING UNI  
 T:XYZ:SERVICE



U001	U002	U003	U004	U005	U006	U007	U008	U009	U010	<b>U011</b>	U012	U013	U014	U015	U016
------	------	------	------	------	------	------	------	------	------	-------------	------	------	------	------	------

U011\_S005\_S001  
FUSING COVER:UPPER:ASS'Y

44.D1124264  
DECAL:WARNING (HIGH TEMPERATURE):FUSING

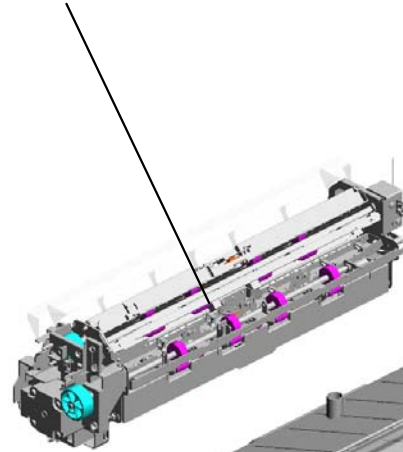


62.D1494261  
FUSING COVER:UPPER:ASS'Y

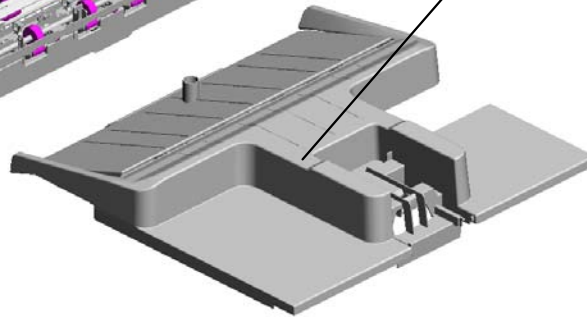
U001	U002	U003	U004	U005	U006	U007	U008	U009	U010	U011	U012	U013	U014	U015	U016
------	------	------	------	------	------	------	------	------	------	------	------	------	------	------	------

# U012.PAPER EXIT

U012\_S002  
D1754408  
PAPER EXIT UNIT:XYZ:ASS'Y



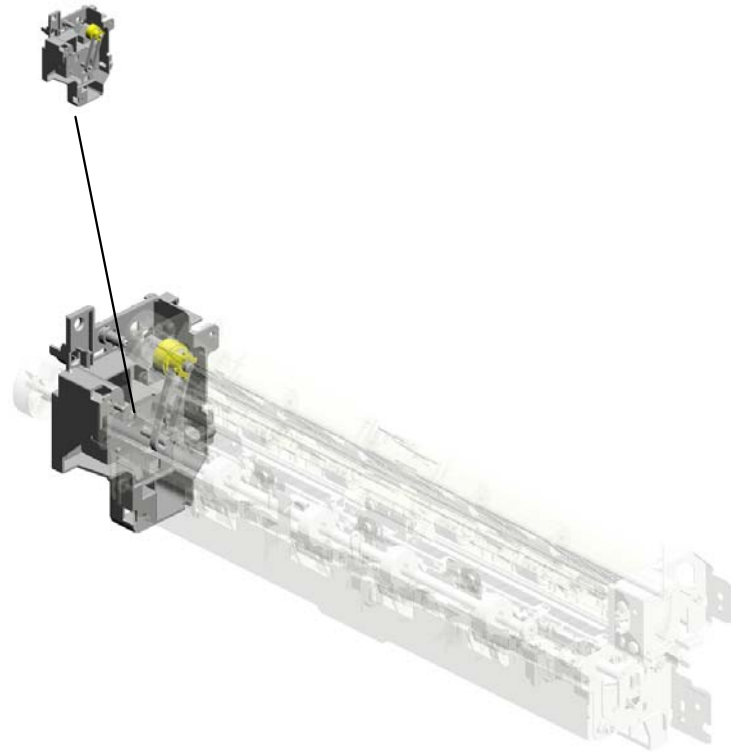
U012\_S001  
D1494495  
TRAY:EXIT:ASS'Y



U001	U002	U003	U004	U005	U006	U007	U008	U009	U010	U011	U012	U013	U014	U015	U016
------	------	------	------	------	------	------	------	------	------	------	------	------	------	------	------

# U012\_S002.PAPER EXIT UNIT:XYZ:ASS'Y

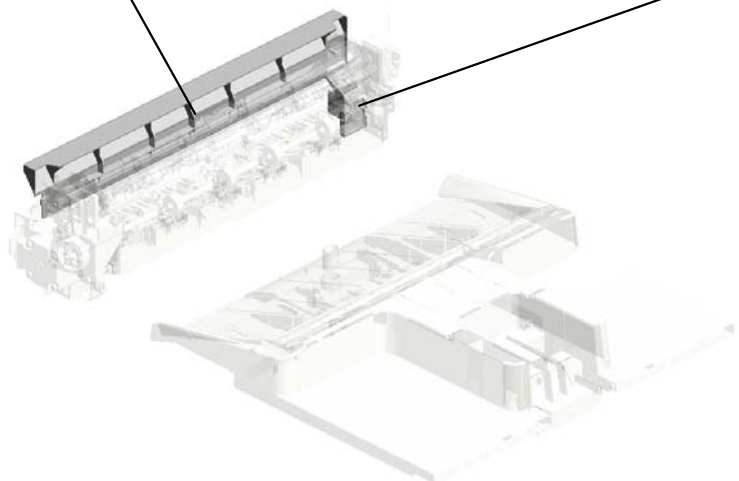
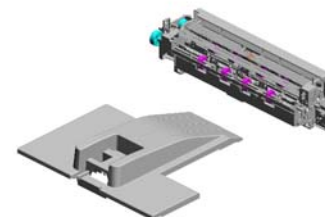
U012\_S002\_S001  
D1494424  
DC STEPPER MOTOR:REVE  
RSE:ASS'Y



U001	U002	U003	U004	U005	U006	U007	U008	U009	U010	U011	U012	U013	U014	U015	U016
------	------	------	------	------	------	------	------	------	------	------	------	------	------	------	------

# U012 PAPER EXIT

50.D1494491  
INNER COVER:EXI  
T



3.04583008N  
HEXAGON HEAD T  
APPING SCREW:3  
X8

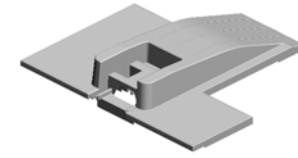
2.04543006Q (x 3)  
TAPPING SCREW - M3X6

U001	U002	U003	U004	U005	U006	U007	U008	U009	U010	U011	U012	U013	U014	U015	U016
------	------	------	------	------	------	------	------	------	------	------	------	------	------	------	------

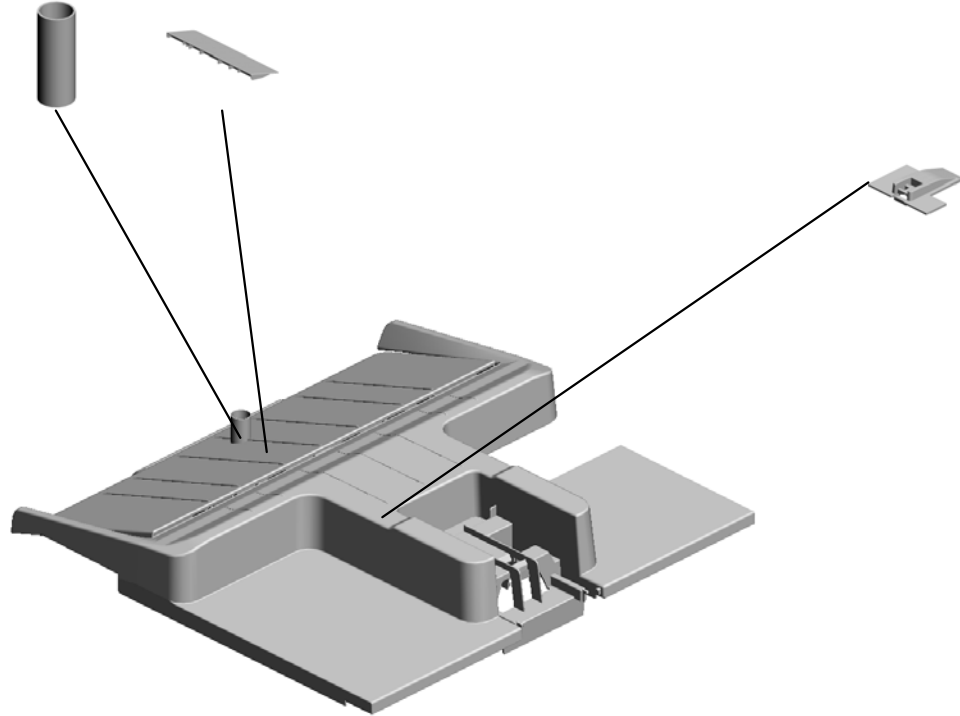
U012\_S001  
TRAY:EXIT:ASS'Y

51.D1494493  
COMPRESSION SP  
RING:BASE:TRAY:  
EXIT

52.D1494494  
BASE:TRAY:EXIT



53.D1494495  
TRAY:EXIT:ASS'Y



54.D1494498  
TRAY:EXIT

U001	U002	U003	U004	U005	U006	U007	U008	U009	U010	U011	U012	U013	U014	U015	U016
------	------	------	------	------	------	------	------	------	------	------	------	------	------	------	------



U012\_S002  
PAPER EXIT UNIT:XYZ:ASS'Y

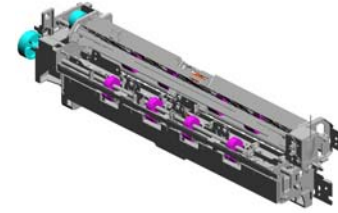
13.AA082173  
(x2)  
PLAIN SHAFT BEA  
RING:6X10X6

23.D1494422  
GEAR:REVERSE R  
OLLER

20.D1444484  
(x3)  
SHOULDER SCRE  
W - M3

18.D0394925  
(x4)  
ROLLER:REVERSE  
:DRIVEN

19.D0394927  
(x2)  
COMPRESSION SP  
RING:PRESSURE:  
REVERSE:DRIVEN



59.D1754408  
[A]  
PAPER EXIT UNIT:  
XYZ:ASS'Y  
201409-06 X/O

22.D1494421  
GEAR:EXIT ROLLE  
R

2.04543006Q  
(x14)  
TAPPING SCREW -  
M3X6

5.07200030E  
(x4)  
RETAINING RING -  
M3

4.04583010N  
(x4)  
HEXAGON HEAD T  
APPING SCREW:3  
X10

3.04583008N  
(x6)  
HEXAGON HEAD T  
APPING SCREW:3  
X8

17.D0394912  
DISCHARGE BRUS  
H:REVERSE

15.AF040575  
(x3)  
DRIVEN ROLLER

14.AF040571  
(x9)  
GUIDE ROLLER

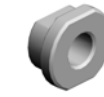
12.AA082170  
(x3)  
PLAIN SHAFT BEA  
RING:DIA4XDIA8X5  
:EG-1

7.11050758  
(x5)  
CLAMP:LWSM-030  
6A

1.03530030N  
(x2)  
SCREW:M3X3



8.11050759  
CLAMP:LWSM-060  
5A



12.AA082170  
PLAIN SHAFT BEA  
RING:DIA4XDIA8X5  
:EG-1

31.D1494431  
DC SOLENOID:ASS  
Y



6.11050692  
(x2)  
CLAMP:LES-0503

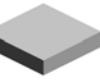


57.08050103  
(x2)  
RETAINING RINGS  
-E:SILENCER:DIA3



58.08050104  
(x2)  
RETAINING RINGS  
-E:SILENCER:DIA4

16.D0094455  
CUSHION - DC SO  
LENOID



2.04543006Q (x 1)  
TAPPING SCREW - M3X6

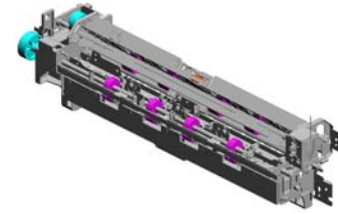
32.D1494434  
TENSION SPRING:  
LEVER:GATE PAW  
L



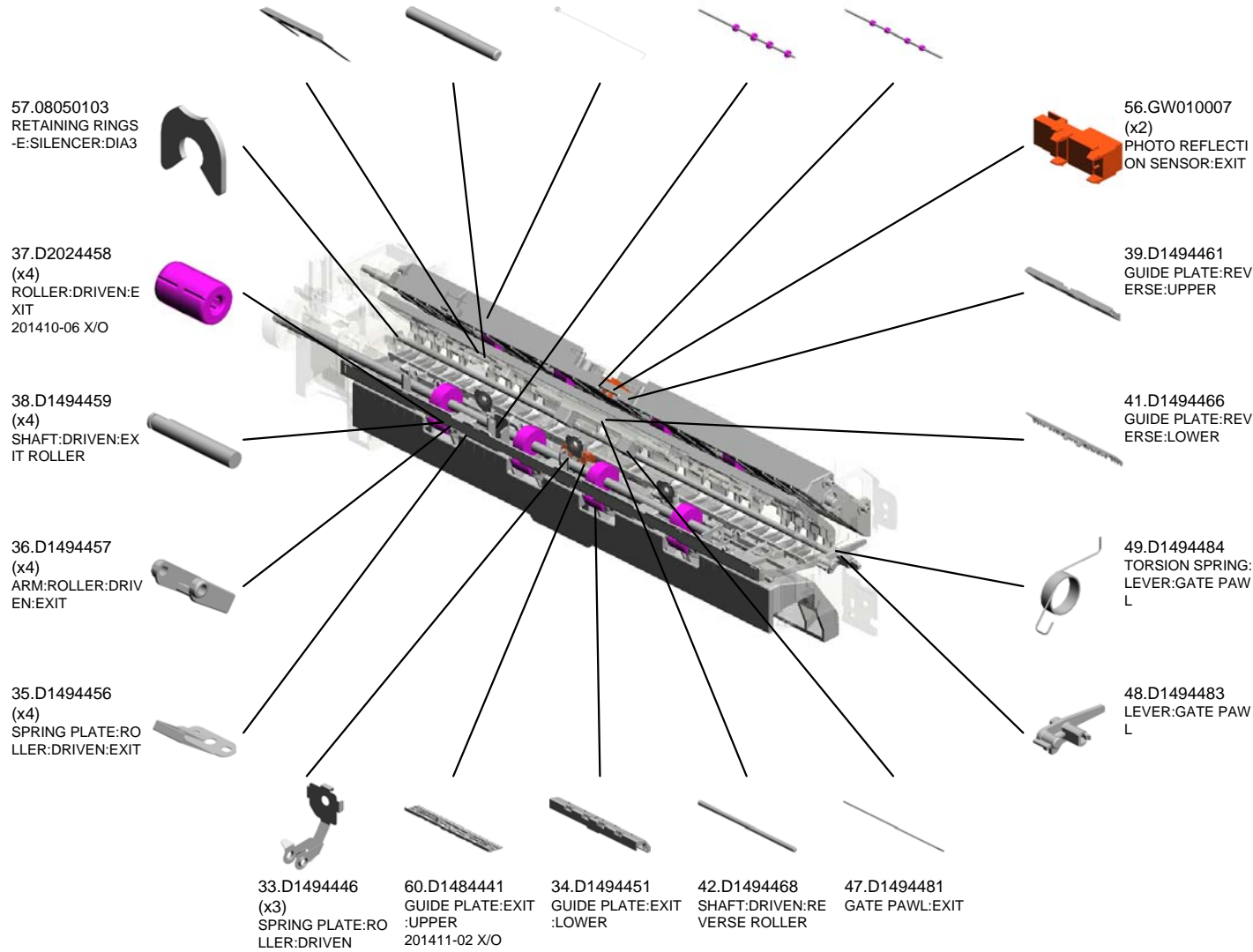
U001 U002 U003 U004 U005 U006 U007 U008 U009 U010 U011 U012 U013 U014 U015 U016

U012\_S002  
PAPER EXIT UNIT:XYZ:ASS'Y

- 43.D1494469 (x2) SPRING PLATE:ROLLER:DRIVEN:REVERSE ROLLER
- 44.D1494471 (x2) SHAFT:DRIVEN:REVERSE ROLLER:OUTER
- 40.D1494463 GROUND WIRE:SENSOR:REVERSE
- 45.D1494476 EXIT ROLLER
- 46.D1494477 REVERSE ROLLER



59.D1754408  
[A]  
PAPER EXIT UNIT:XYZ:ASS'Y  
201409-06 X/O



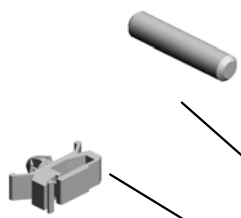
U012\_S002\_S001  
DC STEPPER MOTOR:REVERSE:ASS'Y

28.D1494427 30.D1494429  
STUD:PULLEY:BRACKET:DC STEPPER MOTOR  
PULLEY:GEAR:REVERSE



25.D1494424  
DC STEPPER MOTOR:REVERSE:ASS'Y

7.11050758  
CLAMP:LWSM-0306A



24.D1494423  
SYNCHRONOUS BOLT:40S2M122



27.D1494426  
BRACKET:DC STEPPER MOTOR:REVERSE



29.D1494428  
GROUND PLATE:RAPER EXIT UNIT



2.04543006Q (x 4)  
TAPPING SCREW - M3X6

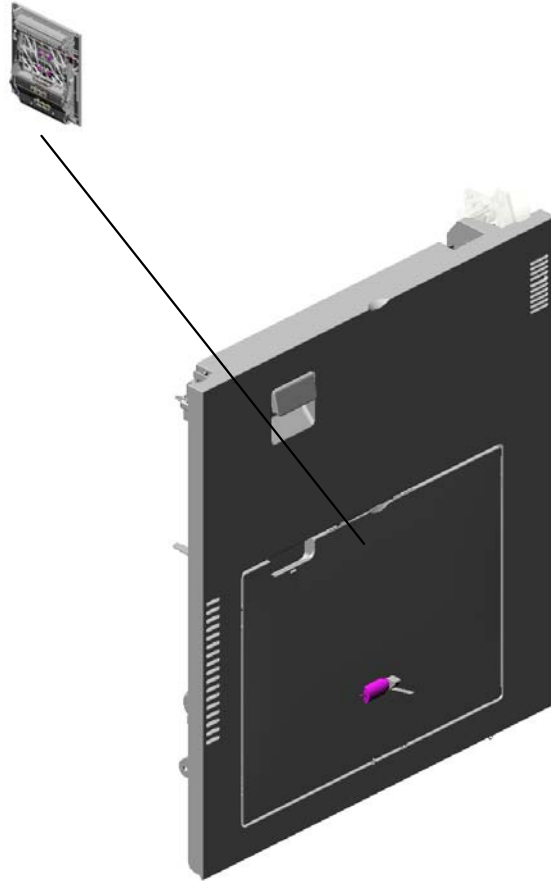
26.D1494425 11.A2324666  
DC STEPPER MOTOR:REVERSE:SUB-ASS'Y  
CUSHION - STEPPER MOTOR



U001	U002	U003	U004	U005	U006	U007	U008	U009	U010	U011	U012	U013	U014	U015	U016
------	------	------	------	------	------	------	------	------	------	------	------	------	------	------	------

# U013.DUPLEX

U013\_S001  
D1754518  
DUPLICATION UNIT:METIS-C1XYZ:  
EXP:ASS'Y



U001	U002	U003	U004	U005	U006	U007	U008	U009	U010	U011	U012	U013	U014	U015	U016
------	------	------	------	------	------	------	------	------	------	------	------	------	------	------	------

# U013\_S001.DUPLEX UNIT:METIS-C1XYZ:EXP:ASS'Y

U013\_S001\_S004  
D1484833  
MANUAL FEED TABLE:EXP:A  
SS'Y

U013\_S001\_S001  
D1482670  
GUIDE PLATE:VERTICAL TR  
ANSPORT:NO.1:DRIVEN:ASS  
'Y

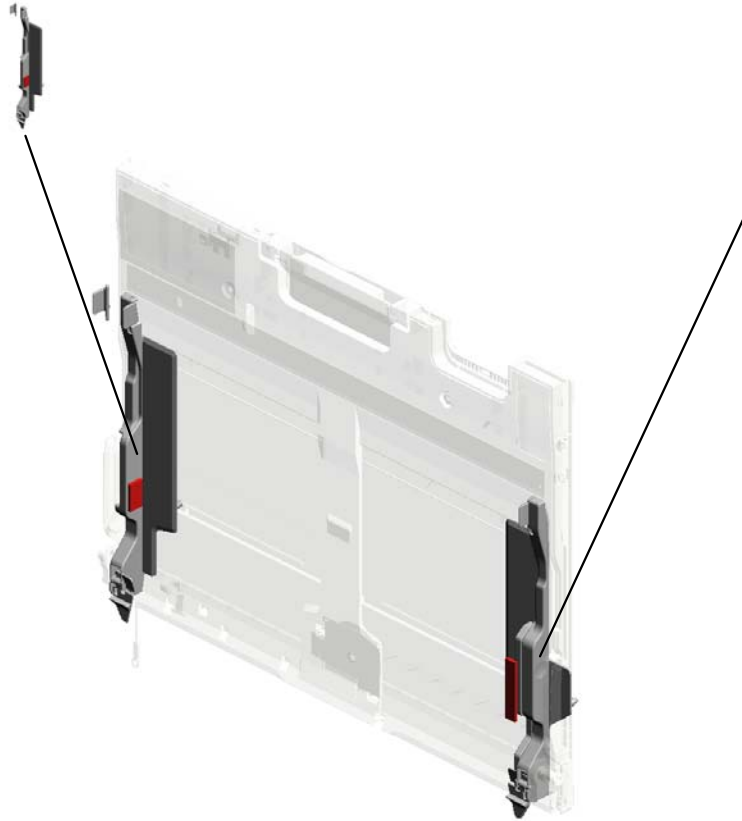
U013\_S001\_S003  
D1752601  
MANUAL FEED UNIT:ASS'Y

U013\_S001\_S002  
D1482685  
GUIDE PLATE:VERTICAL TR  
ANSPORT:NO.2:DRIVEN:ASS  
'Y

U001	U002	U003	U004	U005	U006	U007	U008	U009	U010	U011	U012	U013	U014	U015	U016
------	------	------	------	------	------	------	------	------	------	------	------	------	------	------	------

# U013\_S001\_S004.MANUAL FEED TABLE:EXP:ASS'Y

U013\_S001\_S004\_S002  
D1494778  
SIDE FENCE:REAR:ASS'Y



U013\_S001\_S004\_S001  
D1494835  
SIDE FENCE:FRONT:ASS'Y

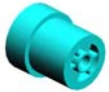
U001	U002	U003	U004	U005	U006	U007	U008	U009	U010	U011	U012	U013	U014	U015	U016
------	------	------	------	------	------	------	------	------	------	------	------	------	------	------	------

# U013 DUPLEX

157.D1484750 (D237):BRACKET:MOTOR:DUPLEX:PE EN  
 5.04583008N (x3) HEXAGON HEAD TAPPING SCREW:3 X8  
 39.AX060435 DC MOTOR:GEAR:10W:BRUSHLESS



158.D1494754 GEAR:OUTPUT:DUPLEX:ENTRANCE



10.07200040E RETAINING RING - M4



3.04543006Q (x4) TAPPING SCREW - M3X6



15.54472681 (x2) SNAP RING



157.D1494750 (D176/D177):BRACKET:MOTOR:DUPLEX 201510-06 O/O



2.03603006N (x 1) SCREW - M3X6

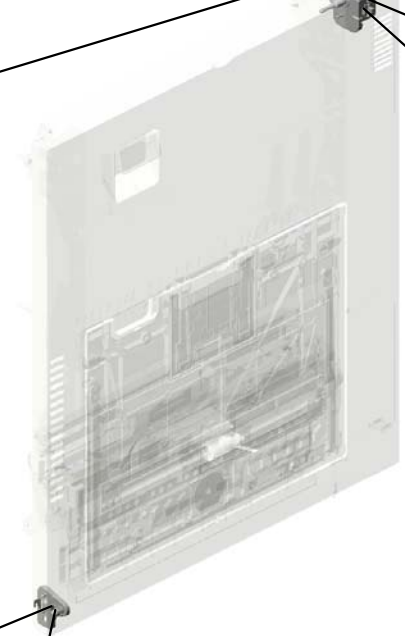
38.AW500040 PUSH SWITCH:SW 1AG-550:10MA



159.D1494755 BRACKET:HINGE:DUPLEX:FRONT



14.52152621 SNAP RING - M6

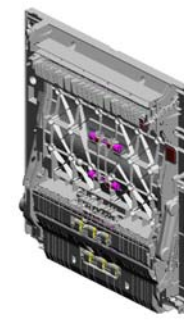


U001	U002	U003	U004	U005	U006	U007	U008	U009	U010	U011	U012	<b>U013</b>	U014	U015	U016
------	------	------	------	------	------	------	------	------	------	------	------	-------------	------	------	------

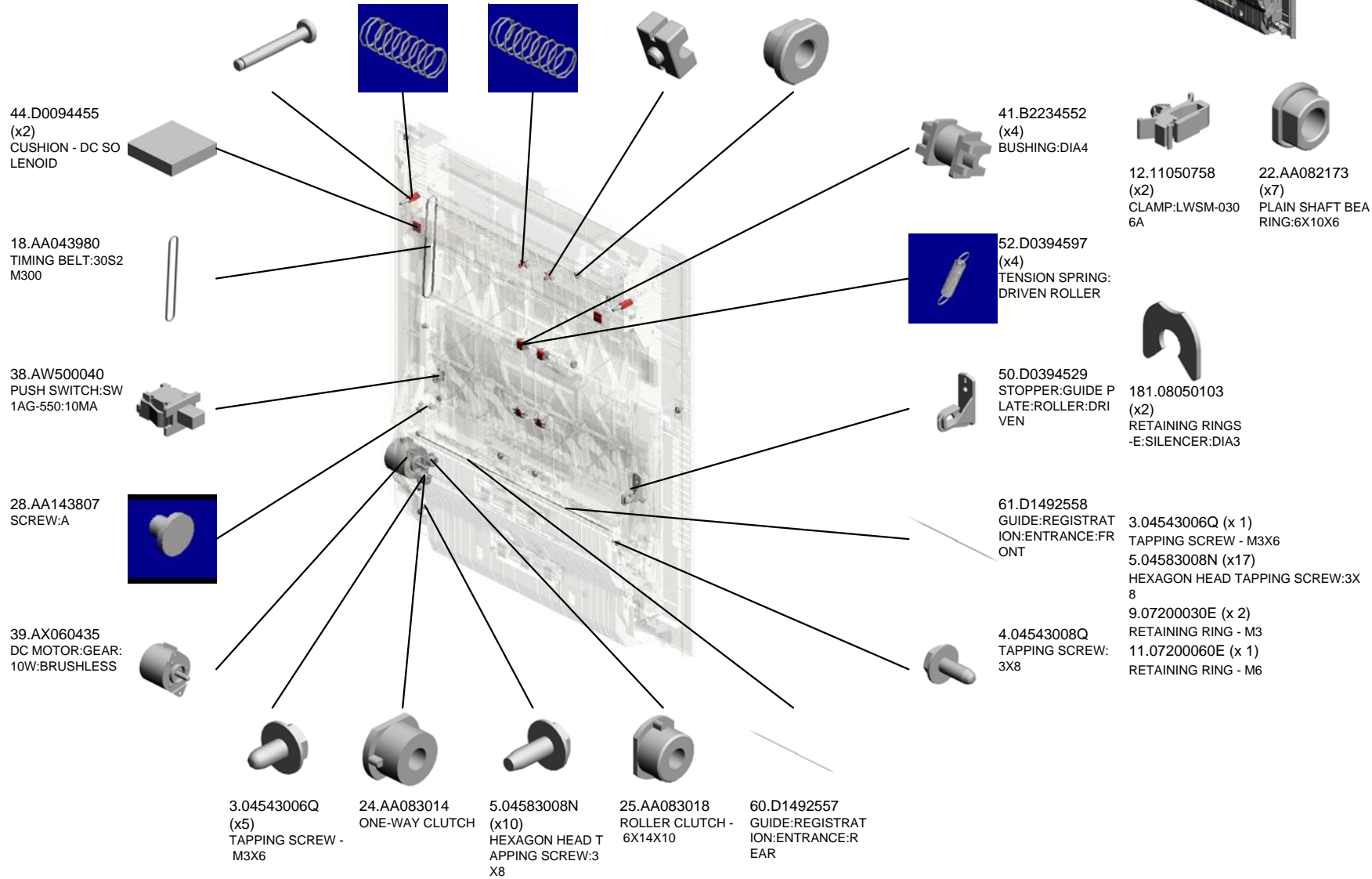
U013\_S001

DUPLEX UNIT:METIS-C1XYZ:EXP:ASS'Y

- 51.D2024692 (x2) SHAFT:PRESSURE :GUIDE PLATE:UP PER 201507-05 O/O
- 49.D0394525 (x2) COMPRESSION SPRING:SHAFT:GUIDE PLATE:EXIT
- 46.D0094487 (x2) COMPRESSION SPRING:SHAFT:GUIDE PLATE:EXIT
- 45.D0094485 (x2) BUSHING - GATE
- 20.AA082170 (x2) PLAIN SHAFT BEARING: DIA4XDIA8X5 :EG-1



189.D1754518  
**[A]**  
 DUPLEX UNIT:METIS-C1XYZ:EXP:ASS'Y  
 201505-01 O/O



U001	U002	U003	U004	U005	U006	U007	U008	U009	U010	U011	U012	U013	U014	U015	U016
------	------	------	------	------	------	------	------	------	------	------	------	------	------	------	------



U013\_S001

DUPLEX UNIT:METIS-C1XYZ:EXP:ASS'Y

103.D1494648  
BRACKET:SWIVEL

104.D1494652  
GEAR:PULLEY:SWI  
VEL

108.D1494657  
HOOK:STOPPER:D  
UPLEX UNIT:REAR

110.D1494660  
GUIDE PLATE:UPP  
ER:RIGHT:DUPLEX

111.D1494664  
GROUND WIRE:EN  
TRANCE SENSOR:  
DUPLEX



189.D1754518  
[A]  
DUPLEX UNIT:MET  
IS-C1XYZ:EXP:ASS  
'Y  
201505-01 O/O

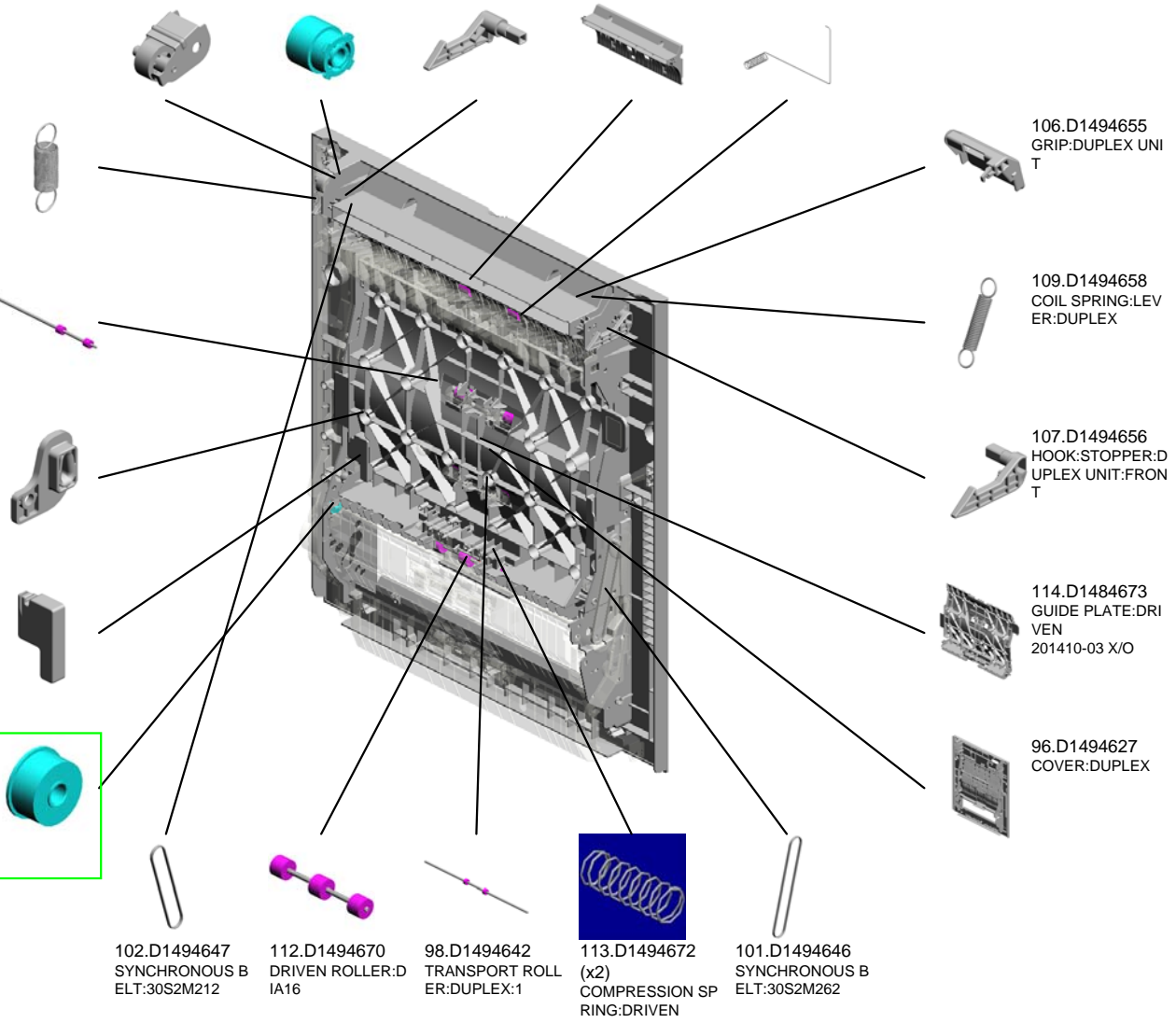
105.D1494653  
TENSION SPRING:  
SWIVEL

99.D1494643  
(x2)  
TRANSPORT ROLL  
ER:ENTRANCE

97.D1494638  
GUIDE:WIRE

115.D1494675  
COVER:PUSH SWI  
TCH

100.D2024644  
[E]  
GEAR:MECHANICA  
L ROLLER CLUTCH  
201511-08 X/O



106.D1494655  
GRIP:DUPLEX UNI  
T

109.D1494658  
COIL SPRING:LEV  
ER:DUPLEX

107.D1494656  
HOOK:STOPPER:D  
UPLEX UNIT:FRON  
T

114.D1484673  
GUIDE PLATE:DRI  
VEN  
201410-03 X/O

96.D1494627  
COVER:DUPLEX

102.D1494647  
SYNCHRONOUS B  
ELT:30S2M212

112.D1494670  
DRIVEN ROLLER:D  
IA16

98.D1494642  
TRANSPORT ROLL  
ER:DUPLEX:1

113.D1494672  
(x2)  
COMPRESSION SP  
RING:DRIVEN

101.D1494646  
SYNCHRONOUS B  
ELT:30S2M262

U001	U002	U003	U004	U005	U006	U007	U008	U009	U010	U011	U012	U013	U014	U015	U016
------	------	------	------	------	------	------	------	------	------	------	------	------	------	------	------

U013\_S001

DUPLEX UNIT:METIS-C1XYZ:EXP:ASS'Y

124.D1494692  
INNER COVER:RE  
AR:DUPLEX

122.D1494690  
TORSION SPRING:  
LINK

119.D1494685  
LINK:DUPLEX

116.D1494679  
GUIDE PLATE:UPP  
ER

161.D1494762  
DRIVEN ROLLER:D  
IA18



189.D1754518  
[A]  
DUPLEX UNIT:MET  
IS-C1XYZ:EXP:ASS  
'Y  
201505-01 O/O

120.D1494688  
LINK:DUPLEX:MAI  
N

121.D1494689  
BRACKET:LINK:DU  
PLEX

123.D1494691  
TORSION SPRING:  
LINK:CONTACT PO  
INT

131.D1494710  
GEAR:IDLER

130.D2024719  
[D]  
GEAR:TRANSPOR  
T ROLLER:MANUA  
L FEED  
201511-11 X/O

117.D1484681  
BRACKET:MOTOR:  
PEEN  
201504-02 X/X

129.D2024718  
[C]  
GEAR:SEPARATO  
R:MANUAL FEED:D  
RIVE  
201511-10 X/O

118.D1494684  
GEAR:OUTPUT

128.D2024717  
[B]  
GEAR:FEED:MANU  
AL FEED:DRIVE  
201511-09 X/O

127.D1494699  
COVER:SENSOR:E  
XIT

134.D1494715  
DECAL:GRIP:Z

160.D1494761  
(x2)  
DRIVEN ROLLER:D  
IA16

152.D1494738  
GROUND WIRE:BR  
ACKET:DRIVEN RO  
LLER

125.D1494693  
INNER COVER:FR  
ONT:DUPLEX

126.D1494695  
LINK:FRONT

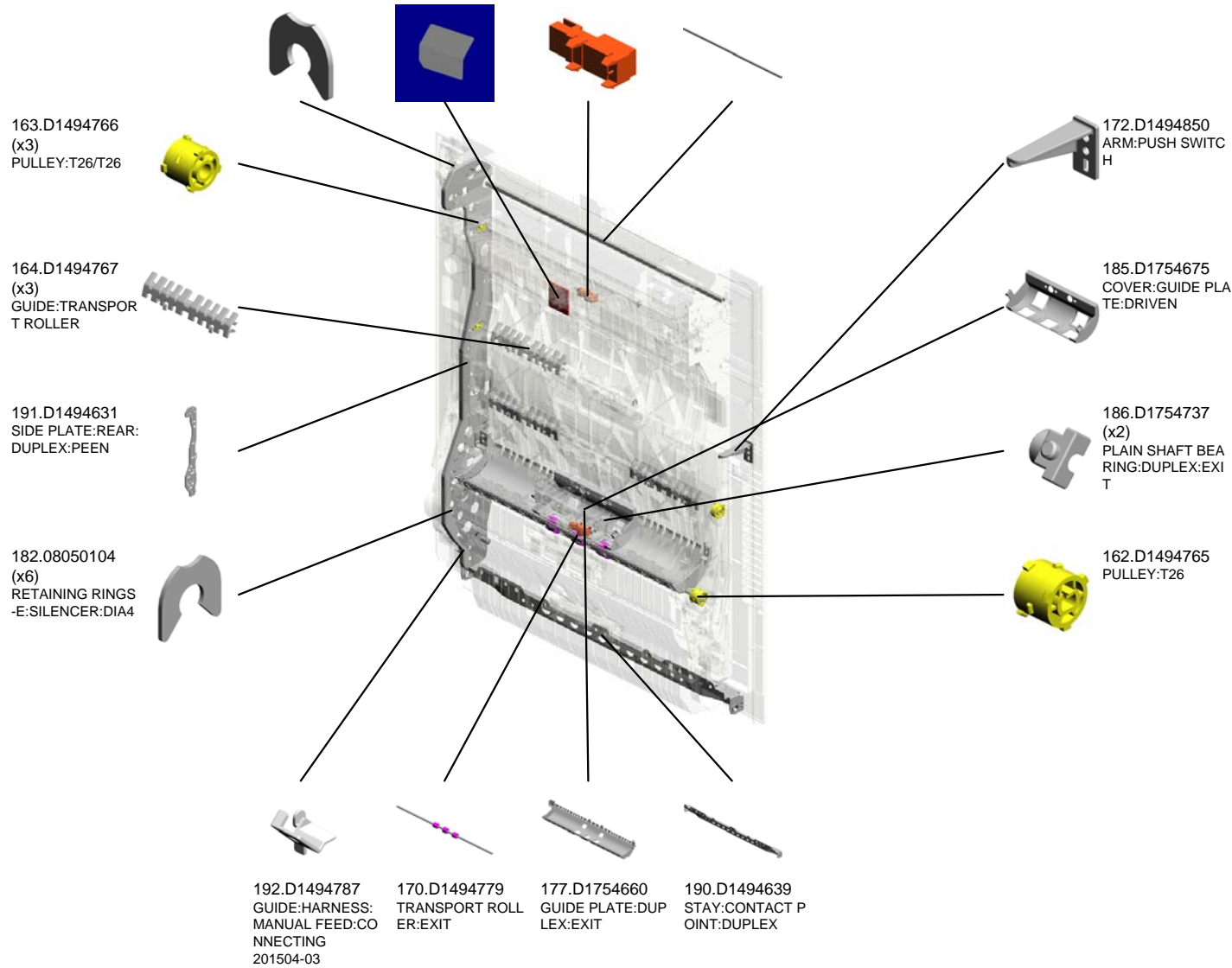
U001	U002	U003	U004	U005	U006	U007	U008	U009	U010	U011	U012	<b>U013</b>	U014	U015	U016
------	------	------	------	------	------	------	------	------	------	------	------	-------------	------	------	------

U013\_S001  
 DUPLEX UNIT:METIS-C1XYZ:EXP:ASS'Y

181.08050103 (x2) RETAINING RINGS -E:SILENCER:DIA3  
 165.D1494768 SHEET:GUIDE PLATE:DRIVEN  
 179.GW010007 (x2) PHOTO REFLECTI ON SENSOR:EXIT  
 176.D1754654 SHAFT:LEVER:LOCK



189.D1754518  
 [A]  
 DUPLEX UNIT:MET IS-C1XYZ:EXP:ASS Y  
 201505-01 O/O



 D1494644 [E] GEAR:MECHANICAL ROLLER CLUTCH 201511-08 X/O	 D1494707 [B] GEAR:FEED:MANUAL FEED:DRIVE 201511-09 X/O
 D1494708 [C] GEAR:SEPARATOR:MANUAL FEED:DRIVE 201511-10 X/O	 D1494709 [D] GEAR:TRANSPORT ROLLER:MANUAL FEED 201511-11 X/O
 D1754514 [A] DUPLEX UNIT:EXP:ASSY 201505-01 O/O	

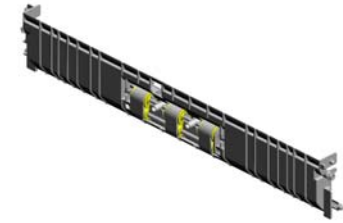
U013\_S001\_S001

GUIDE PLATE:VERTICAL TRANSPORT:NO.1:DRIVEN:ASS'Y

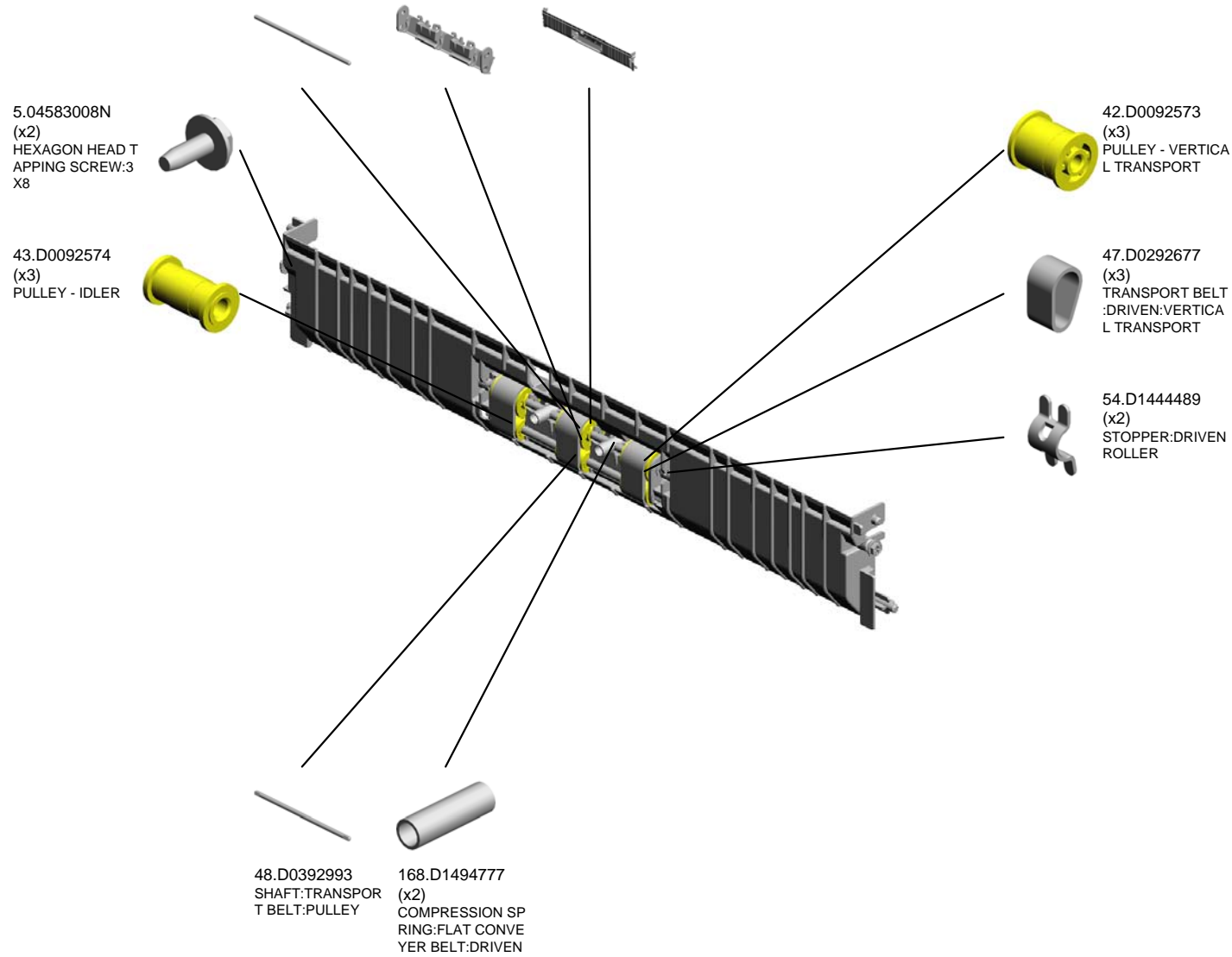
86.D1492678  
SHAFT:FLAT CONVEYER BELT:DRIVEN

58.D1482675  
HOLDER:DRIVEN:BELT

57.D1482672  
GUIDE PLATE:VERTICAL TRANSPORT:NO.1:DRIVEN



55.D1482670  
GUIDE PLATE:VERTICAL TRANSPORT:NO.1:DRIVEN:ASS'Y

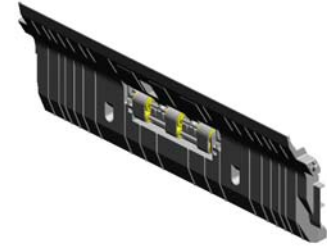


U001	U002	U003	U004	U005	U006	U007	U008	U009	U010	U011	U012	U013	U014	U015	U016
------	------	------	------	------	------	------	------	------	------	------	------	------	------	------	------

U013\_S001\_S002

GUIDE PLATE:VERTICAL TRANSPORT:NO.2:DRIVEN:ASS'Y

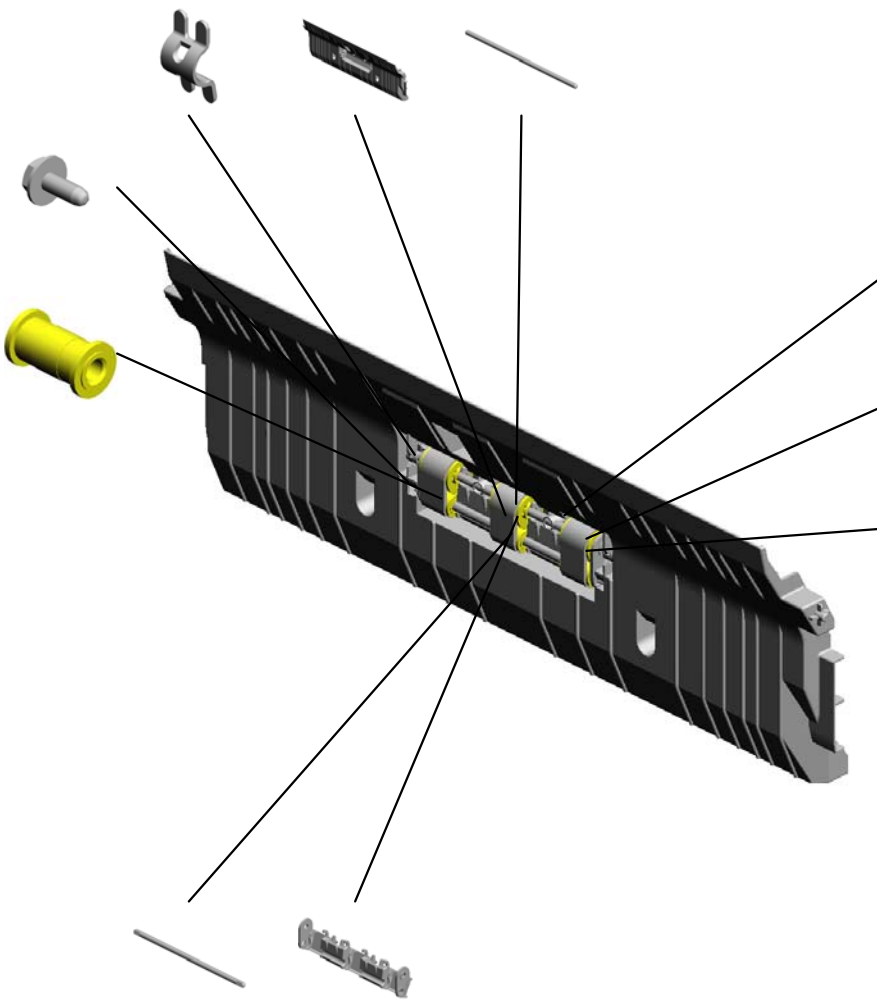
54.D1444489 (x2) STOPPER:DRIVEN ROLLER  
 59.D1482683 GUIDE PLATE:VERTICAL TRANSPORT:NO.2:DRIVEN  
 86.D1492678 SHAFT:FLAT CONVEYER BELT:DRIVEN



183.D1482685  
 [A]  
 GUIDE PLATE:VERTICAL TRANSPORT:NO.2:DRIVEN:ASS'Y  
 201506-02 O/O

4.04543008Q (x2) TAPPING SCREW: 3X8

43.D0092574 (x3) PULLEY - IDLER



48.D0392993 SHAFT:TRANSPORT BELT:PULLEY  
 58.D1482675 HOLDER:DRIVEN:BELT

168.D1494777 (x2) COMPRESSION SPRING:FLAT CONVEYER BELT:DRIVEN

42.D0092573 (x3) PULLEY - VERTICAL TRANSPORT

47.D0292677 (x3) TRANSPORT BELT:DRIVEN:VERTICAL TRANSPORT



D1482681  
 [A]  
 GUIDE PLATE:VERTICAL TRANSPORT:NO.2:DRIVEN:ASS'Y  
 201506-02 O/O

U001	U002	U003	U004	U005	U006	U007	U008	U009	U010	U011	U012	U013	U014	U015	U016
------	------	------	------	------	------	------	------	------	------	------	------	------	------	------	------

# U013\_S001\_S003 MANUAL FEED UNIT:ASS'Y



193.D1752601  
MANUAL FEED UNI  
T:ASS'Y

34.AF031046 FEED ROLLER - M  
ANUAL FEED  
23.AA082187 BUSHING:DIA6XDI  
A10X9:EG-1  
31.AB011252 GEAR - 20Z  
5.04583008N (x2)  
HEXAGON HEAD T  
APPING SCREW:3  
X8  
1.03530030N (x2)  
SCREW:M3X3

3.04543006Q  
TAPPING SCREW -  
M3X6

36.AW020203  
PHOTOINTERRUPT  
TOR:GP1A173LCS  
2F

26.AA100014  
(x2)  
RETAINING RING  
C - SEPARATE

20.AA082170  
PLAIN SHAFT BEA  
RING:DIA4XDIA8X5  
:EG-1

27.AA143579  
SCREW - M3

35.AF032046  
SEPARATION ROL  
LER - MANUAL FE  
ED

53.D1292783  
TORQUE LIMITER  
MECHANICAL CLU  
TCH:40MMN:DIA18

33.AF030049  
PICK-UP ROLLER

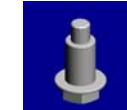
21.AA082171  
PLAIN SHAFT BEA  
RING:6X10X6

19.AA063499  
PRESSURE SPRIN  
G

12.11050758  
(x6)  
CLAMP:LWSM-030  
6A



13.11050760  
CLAMP:LWSM-051  
1A



27.AA143579  
SCREW - M3

4.04543008Q  
(x5)  
TAPPING SCREW:  
3X8

6.04583012N (x 1)  
HEXAGON HEAD TAPPING SCREW:3X  
12

8.04593010N (x 1)  
BINDING HEAD TAPPING SCREW:3X10

22.AA082173  
PLAIN SHAFT BEA  
RING:6X10X6

29.AB010156  
GEAR:SEPARATE:  
DRIVE

30.AB010157  
GEAR:SEPARATE:  
DRIVEN

U001 U002 U003 U004 U005 U006 U007 U008 U009 U010 U011 U012 U013 U014 U015 U016

# U013\_S001\_S003 MANUAL FEED UNIT:ASS'Y



193.D1752601  
MANUAL FEED UNIT:ASS'Y

79.D1492652 GROUND PLATE:SHAFT:FEED  
82.D1492658 COVER:PAPER FEED ROLLER  
77.D1492645 COIL SPRING:RELEASE:PICKUP:MANUAL FEED  
76.D1492644 TORSION SPRING:LINK:PAPER STOPPER  
70.D1492635 TRANSPORT ROLLER:MANUAL FEED

63.D1492613  
SHAFT:GRIP:DRIVEN

80.D1492655  
FEELER:PAPER END SENSOR

64.D1492614  
(x2)  
TENSION SPRING:GRIP:PRESSURE

81.D1492656  
TORSION SPRING:PAPER END SENSOR

62.D1492612  
(x3)  
ROLLER:GRIP:DRIVEN

65.D1494815  
GUIDE PLATE:SEPARATOR:ASS'Y  
201501-01 X/O

72.D1492638  
LINK:PAPER STOPPER:MANUAL FEED

71.D1492637  
PAPER STOPPER:MANUAL FEED

69.D1492634  
ARM:PICKUP:MANUAL FEED

73.D1492639  
SHAFT:PAPER STOPPER

67.D1492625  
DC SOLENOID:PICKUP:ASS'Y

66.D1492619  
SHAFT:SEPARATOR:DRIVE:ASS'Y

68.D1492633  
SHAFT:FEED:MANUAL FEED

75.D1492642  
SHAFT:LINK:PAPER STOPPER

74.D1492641  
COVER:PAPER STOPPER:MANUAL FEED

U001	U002	U003	U004	U005	U006	U007	U008	U009	U010	U011	U012	<b>U013</b>	U014	U015	U016
------	------	------	------	------	------	------	------	------	------	------	------	-------------	------	------	------

U013\_S001\_S003  
 MANUAL FEED UNIT:ASS'Y



193.D1752601  
 MANUAL FEED UNI  
 T:ASS'Y

181.08050103  
 (x6)  
 RETAINING RINGS  
 -E:SILENCER:DIA3

154.D1494741  
 ARM:LINK:PAPER  
 STOPPER

148.D1494734  
 TORSION SPRING:  
 PICKUP

156.D1494749  
 COVER:PAPER EN  
 D

140.D1494722  
 BRACKET:FRONT

146.D1494728  
 SHEET:FEED:MAN  
 UAL FEED

149.D1494735  
 SHOE:TORSION S  
 PRING:PICKUP

182.08050104  
 (x6)  
 RETAINING RINGS  
 -E:SILENCER:DIA4

153.D1494739  
 SHEET:PICKUP

166.D1494770  
 SHAFT:SEPARATO  
 R:DRIVEN:ASS'Y

U001	U002	U003	U004	U005	U006	U007	U008	U009	U010	U011	U012	U013	U014	U015	U016
------	------	------	------	------	------	------	------	------	------	------	------	------	------	------	------



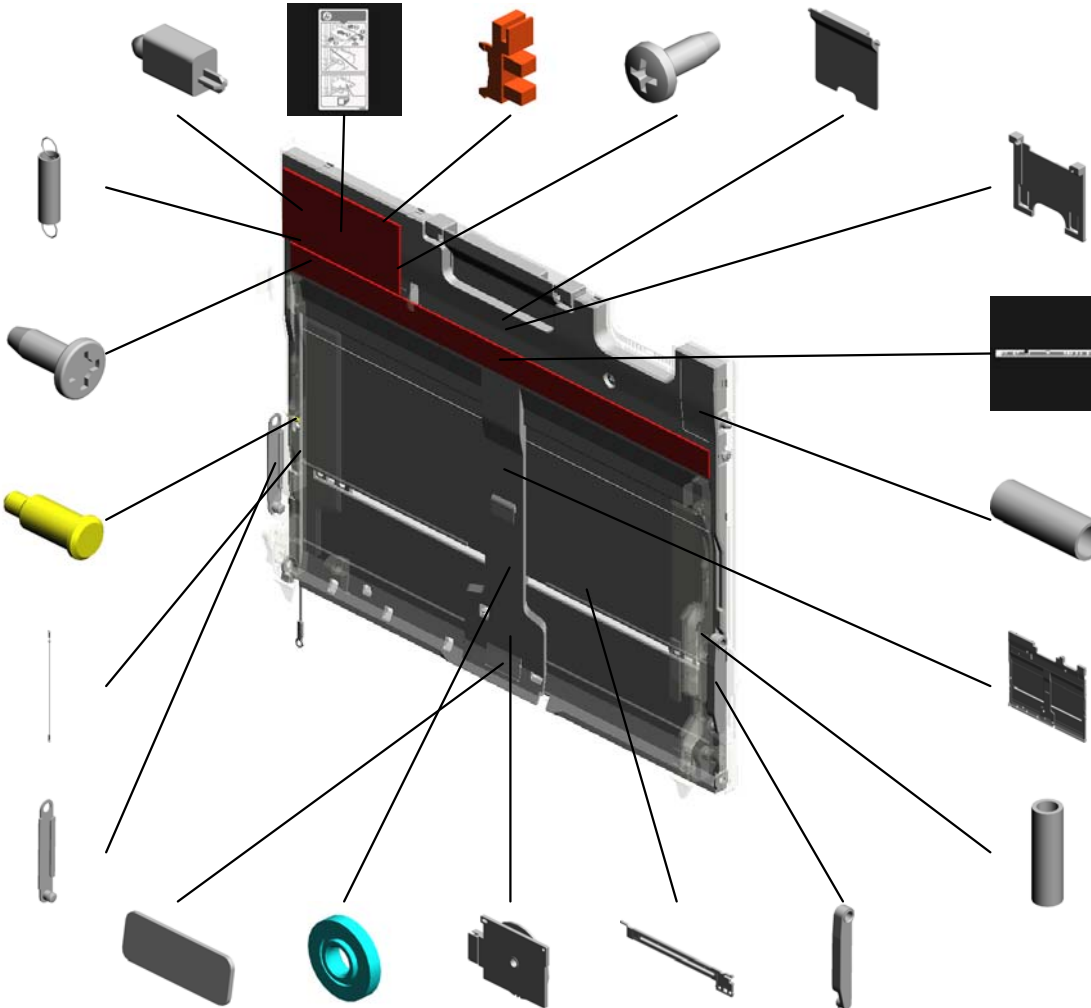
U013\_S001\_S004  
 MANUAL FEED TABLE:EXP:ASS'Y



194.D1484833  
 [A]  
 MANUAL FEED TABLE:EXP:ASS'Y  
 201506-01 O/O

- 91.D1492693 (x2) STOPPER:MANUAL FEED TABLE
- 150.D1494736 DECAL:PAPER SENSING DIRECTION:MANUAL FEED:EXP
- 36.AW020203 PHOTOINTERRUPTOR:GP1A173LCS 2F
- 7.04593008N (x6) BINDING HEAD TAPPING SCREW:3X8
- 95.D1492699 EXTENSION TRAY: NO.2

- 89.D1492688 TENSION SPRING: WIRE
- 40.B2231099 FLAT SCREW
- 88.D1492687 PULLEY:WIRE:MANUAL FEED TABLE
- 87.D1492686 WIRE:MANUAL FEED TABLE:TC075
- 93.D1492695 ARM:MANUAL FEED TABLE:REAR UPPER



- 32.AF013016 BOTTOM PLATE PAD
- 84.D1492666 GEAR:SIDE FENCE:MANUAL FEED TABLE
- 37.AW500039 ROTARY SWITCH: PAPER SIZE SENSOR: CW
- 85.D1492667 (x2) RACK:MANUAL FEED
- 90.D1492692 ARM:MANUAL FEED TABLE:FRONT UPPER

- 94.D1492698 EXTENSION TRAY: NO.1
- 182.08050104 (x4) RETAINING RINGS: SILENCER: DIA4
- 133.D1494714 DECAL:SCALE:MANUAL FEED
- 92.D1492694 (x2) COMPRESSION SPRING:STOPPER:MANUAL FEED TABLE
- 83.D1482663 MANUAL FEED TABLE: 201507-04 X/O
- 147.D1494731 (x2) COMPRESSION SPRING:RACK:MANUAL FEED

U001	U002	U003	U004	U005	U006	U007	U008	U009	U010	U011	U012	U013	U014	U015	U016
------	------	------	------	------	------	------	------	------	------	------	------	------	------	------	------

U013\_S001\_S004  
 MANUAL FEED TABLE:EXP:ASS'Y

171.D1494786  
 STAY:REAR:ASS'Y

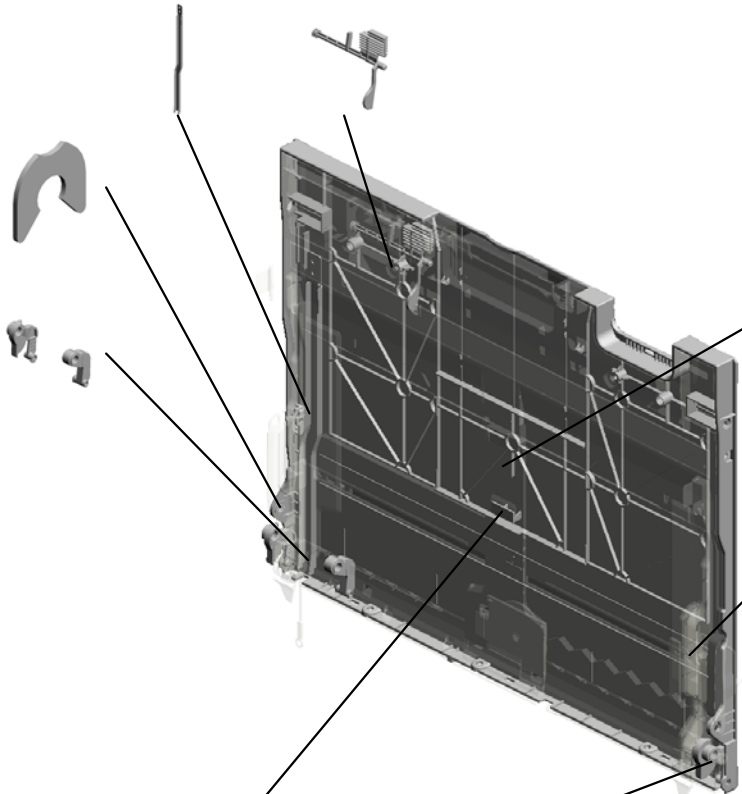
155.D1494748  
 FEELER:PAPER SI  
 ZE SENSOR:MANU  
 AL FEED



194.D1484833  
 [A]  
 MANUAL FEED TA  
 BLE:EXP:ASS'Y  
 201506-01 O/O

182.08050104  
 RETAINING RINGS  
 -E:SILENCER:DIA4

174.D1494884  
 ARM:MANUAL FEE  
 D:REAR LOWER



167.D1484774  
 [B]  
 COVER:MANUAL F  
 EED TABLE  
 201511-01 O/O

188.D1494899  
 SHEET:RACK:MAN  
 UAL FEED  
 201409-03

180.M0662743  
 FRICTION PAD:MA  
 NUAL FEED TABLE  
 :18X7.5

173.D1494883  
 ARM:MANUAL FEE  
 D:FRONT LOWER

D1494774  
 [B]  
 COVER:MANUAL F  
 EED TABLE  
 201511-01 O/O

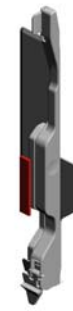
D1494834  
 [A]  
 MANUAL FEED TA  
 BLE:EXP:ASS'Y  
 201506-01 O/O

U001	U002	U003	U004	U005	U006	U007	U008	U009	U010	U011	U012	U013	U014	U015	U016
------	------	------	------	------	------	------	------	------	------	------	------	------	------	------	------

U013\_S001\_S004\_S001  
SIDE FENCE:FRONT:ASS'Y

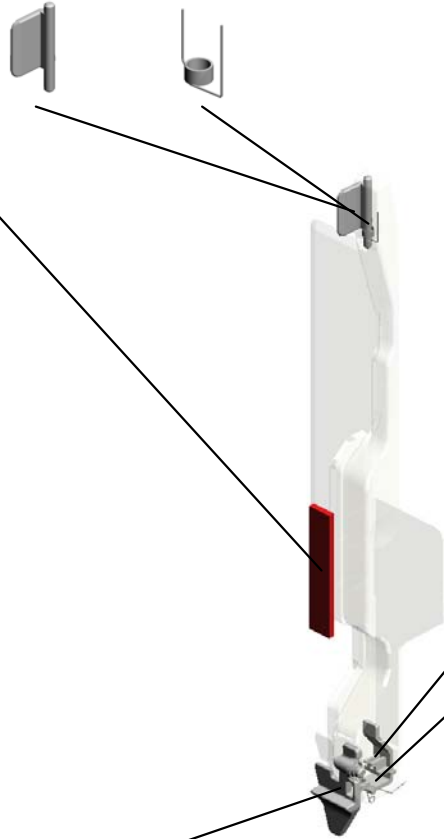
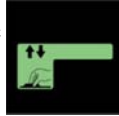
136.D1494717  
PLATE:SIDE FENC  
E:FRONT

137.D1494718  
TORSION SPRING:  
SIDE FENCE:FRON  
T



135.D1494835  
[A]  
SIDE FENCE:FRON  
T:ASS'Y  
201410-02 X/O

187.D1494851  
DECAL:SIDE FENC  
E:GRIP:MANUAL F  
EED  
201409-04



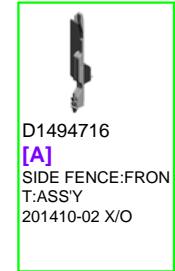
145.D1494727  
CAP:SIDE FENCE



142.D1494724  
TORSION SPRING:  
VIBRATING PLATE:  
FRONT



141.D1494723  
VIBRATING PLATE:  
SIDE FENCE:FRON  
T



D1494716  
[A]  
SIDE FENCE:FRON  
T:ASS'Y  
201410-02 X/O

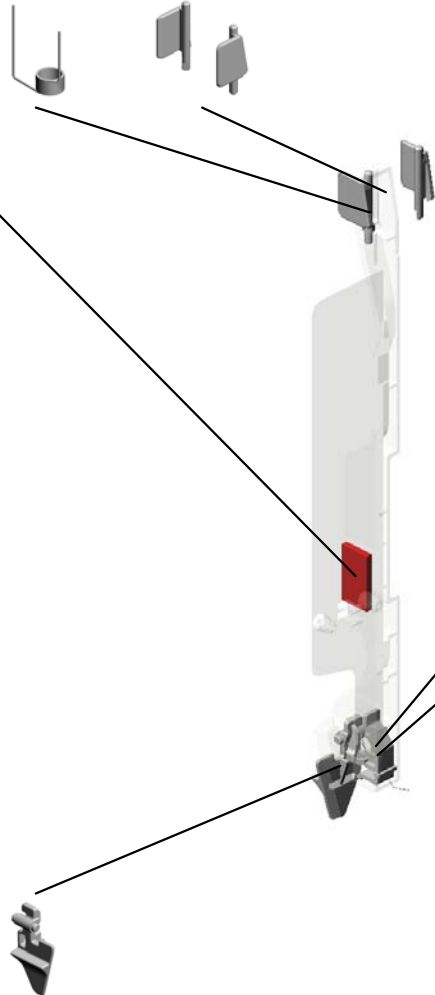
U001	U002	U003	U004	U005	U006	U007	U008	U009	U010	U011	U012	U013	U014	U015	U016
------	------	------	------	------	------	------	------	------	------	------	------	------	------	------	------

U013\_S001\_S004\_S002  
SIDE FENCE:REAR:ASS'Y

139.D1494721 138.D1494720  
TORSION SPRING: PLATE:SIDE FENC  
SIDE FENCE:REAR E:REAR

169.D1494778  
SIDE FENCE:REAR  
:ASS'Y

132.D1494711  
DECAL:SIDE FENC  
E:MANUAL FEED



145.D1494727  
CAP:SIDE FENCE



144.D1494726  
TORSION SPRING:  
VIBRATING PLATE:  
REAR



143.D1494725  
VIBRATING PLATE:  
SIDE FENCE:REAR



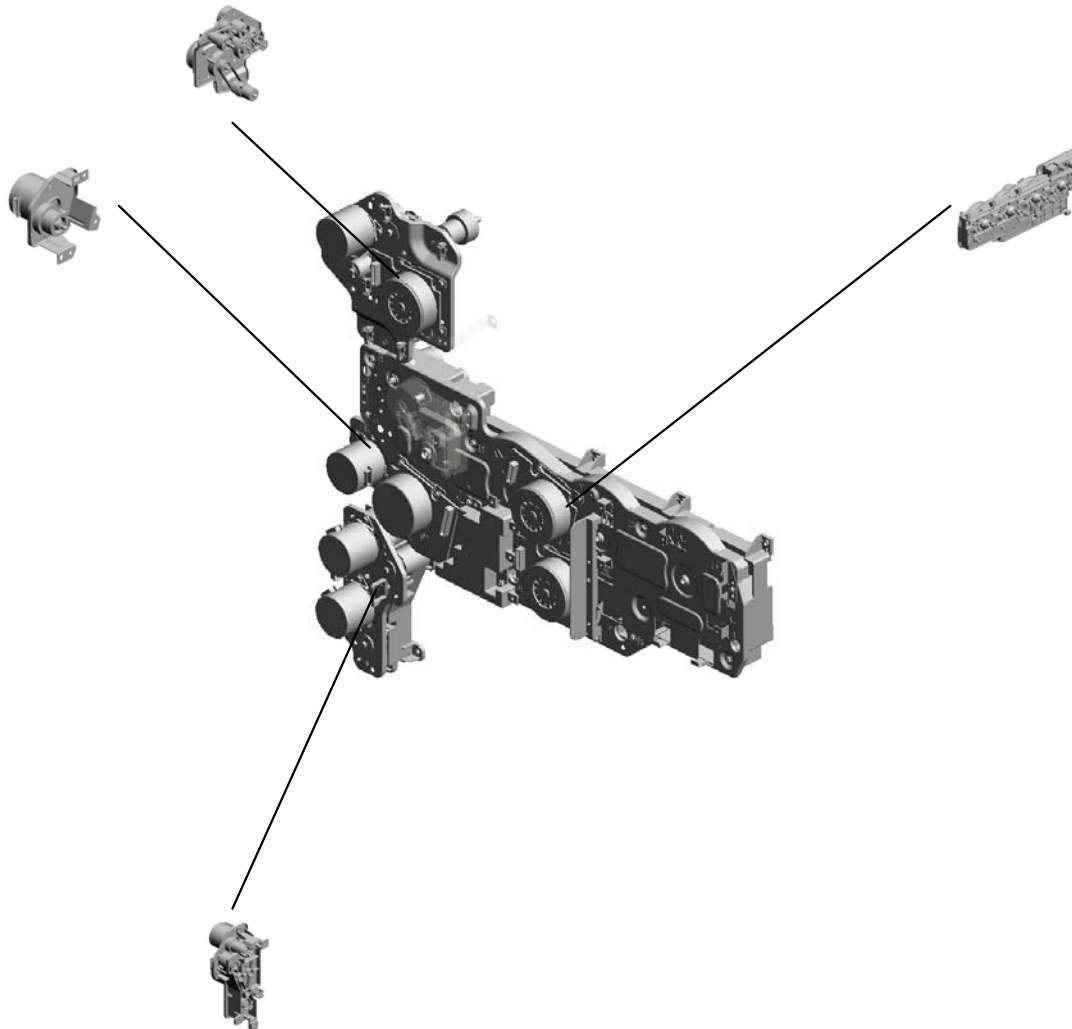
U001	U002	U003	U004	U005	U006	U007	U008	U009	U010	U011	U012	U013	U014	U015	U016
------	------	------	------	------	------	------	------	------	------	------	------	------	------	------	------

# U014.MAIN DRIVE

U014\_S004  
D1751357  
DRIVE UNIT:FUSING/PAPER  
EXIT UNIT:ASS'Y

U014\_S002  
D1491351  
DRIVE UNIT:REGISTRATION:  
ASS'Y

U014\_S003  
D1751101  
DRIVE UNIT:ENGINE:ASS'Y



U014\_S001  
D1491178  
DRIVE UNIT:PAPER FEED:AS  
S'Y

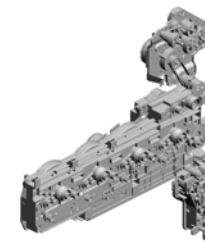
U001	U002	U003	U004	U005	U006	U007	U008	U009	U010	U011	U012	U013	U014	U015	U016
------	------	------	------	------	------	------	------	------	------	------	------	------	------	------	------

# U014 MAIN DRIVE

5.04583008N  
(x6)  
HEXAGON HEAD TAPPING SCREW:3X8

1.03603006N  
SCREW - M3X6

23.D1491394  
GROUND PLATE:DRIVE UNIT:FUSING/PAPER EXIT UNIT

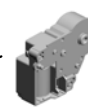


22.D1491387  
GROUND PLATE:DRIVE UNIT:ENGINE



4.04543008Q (x 9)  
TAPPING SCREW:3X8

20.D1491199  
DRIVE UNIT:ON-OFF:TRANSFER



2.03603016N  
(x2)  
SCREW - M3X16



3.04543006Q  
(x9)  
TAPPING SCREW - M3X6

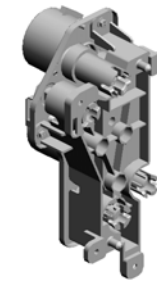


U001	U002	U003	U004	U005	U006	U007	U008	U009	U010	U011	U012	U013	<b>U014</b>	U015	U016
------	------	------	------	------	------	------	------	------	------	------	------	------	-------------	------	------

U014\_S001  
 DRIVE UNIT:PAPER FEED:ASS'Y

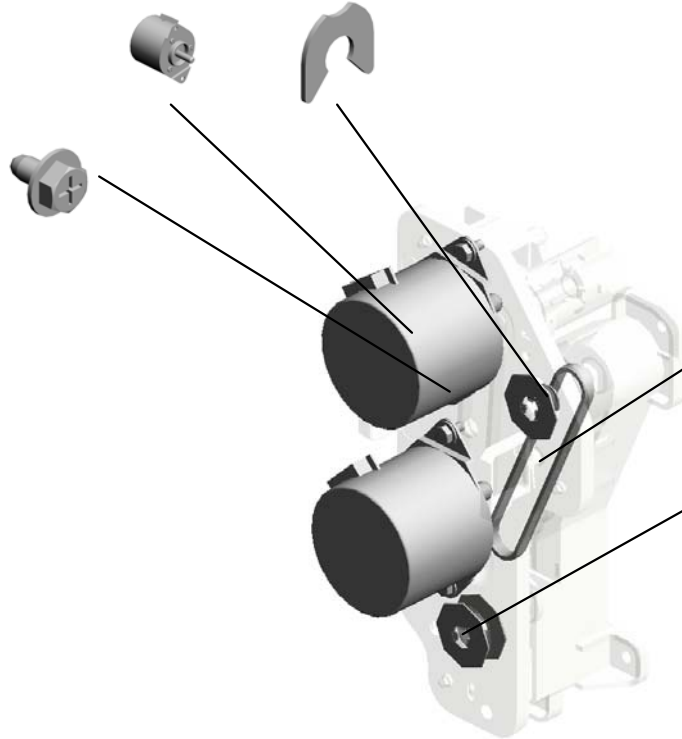
13.AX060435 (x2)  
 DC MOTOR:GEAR:  
 10W:BRUSHLESS

28.08050104  
 RETAINING RINGS  
 -E:SILENCER:DIA4



19.D1491178  
 DRIVE UNIT:PAPE  
 R FEED:ASS'Y

1.03603006N  
 (x4)  
 SCREW - M3X6



12.AA043623  
 TIMING BELT - B40  
 S2M180

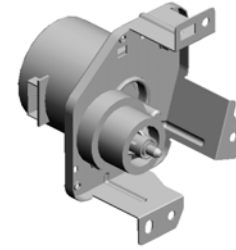
6.07200040E  
 (x3)  
 RETAINING RING -  
 M4

U001	U002	U003	U004	U005	U006	U007	U008	U009	U010	U011	U012	U013	U014	U015	U016
------	------	------	------	------	------	------	------	------	------	------	------	------	------	------	------

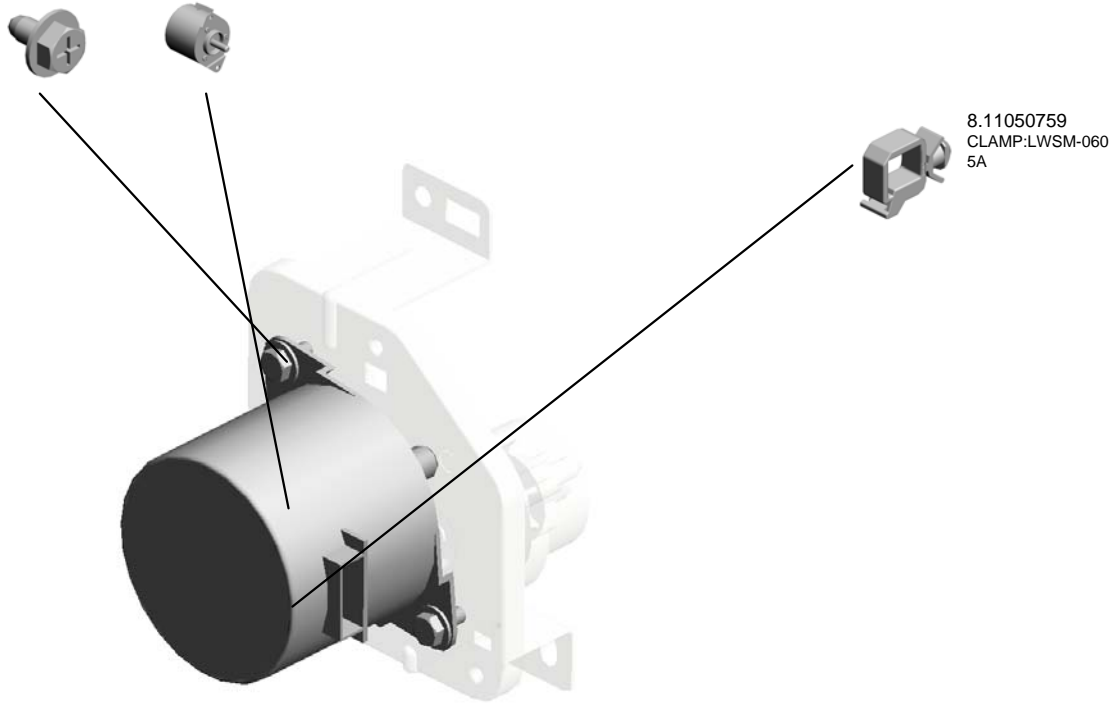
U014\_S002  
DRIVE UNIT:REGISTRATION:ASS'Y

1.03603006N  
(x2)  
SCREW - M3X6

13.AX060435  
DC MOTOR:GEAR:  
10W:BRUSHLESS



21.D1491351  
DRIVE UNIT:REGIS  
TRATION:ASS'Y



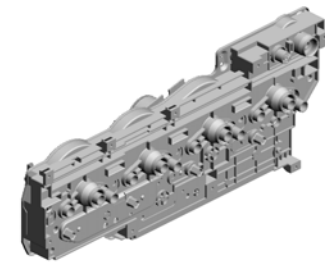
8.11050759  
CLAMP:LWSM-060  
5A

U001	U002	U003	U004	U005	U006	U007	U008	U009	U010	U011	U012	U013	U014	U015	U016
------	------	------	------	------	------	------	------	------	------	------	------	------	------	------	------



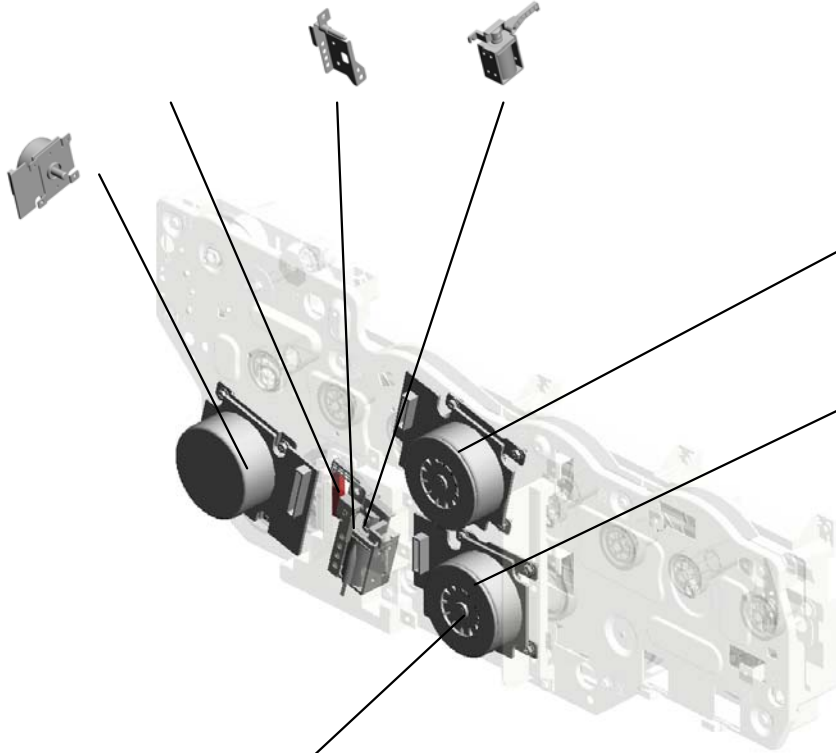
U014\_S003  
DRIVE UNIT:ENGINE:ASS'Y

18.D1471177 TENSION SPRING:  
ARM:MCPG  
29.D1471109 BRACKET:DC SOL  
ENOID:ASS'Y  
30.D1471107 DC SOLENOID:ASS  
Y



26.D1751101  
DRIVE UNIT:ENGIN  
E:ASSY

17.AX060457  
DC BRUSHLESS M  
OTOR:DRUM:TRAN  
SFER



16.AX060456  
DC BRUSHLESS M  
OTOR:DRUM:COLL  
AR

15.AX060443  
DC BRUSHLESS M  
OTOR:DEVELOPM  
ENT:COLLAR:29.3  
W

1.03603006N  
(x12)  
SCREW - M3X6

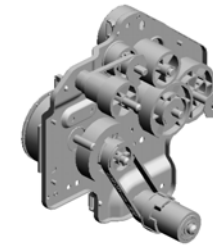
U001	U002	U003	U004	U005	U006	U007	U008	U009	U010	U011	U012	U013	U014	U015	U016
------	------	------	------	------	------	------	------	------	------	------	------	------	------	------	------

U014\_S004

DRIVE UNIT:FUSING/PAPER EXIT UNIT:ASS'Y

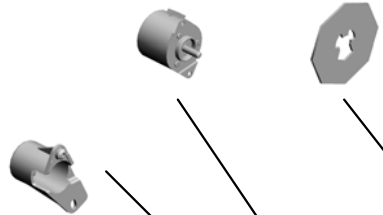
13.AX060435 DC MOTOR:GEAR:  
10W:BRUSHLESS

6.07200040E (x5)  
RETAINING RING -  
M4



27.D1751357  
DRIVE UNIT:FUSIN  
G/PAPER EXIT UNI  
T:ASSY

24.D1491396  
HOLDER:TORQUE  
LIMITER MECHANI  
CAL CLUTCH:PRE  
SSURE RELEASE



25.D1491397  
TORQUE LIMITER  
MECHANICAL CLU  
TCH:49MMN:DIA14



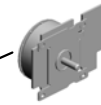
9.11050760  
(x5)  
CLAMP:LWSM-051  
1A



10.11050762  
CLAMP:LWS-0711A



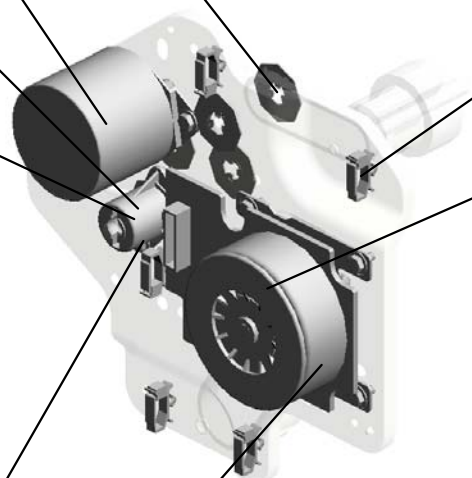
14.AX060441  
DC BRUSHLESS M  
OTOR:FUSING UNI  
T:26.8W



1.03603006N  
(x7)  
SCREW - M3X6

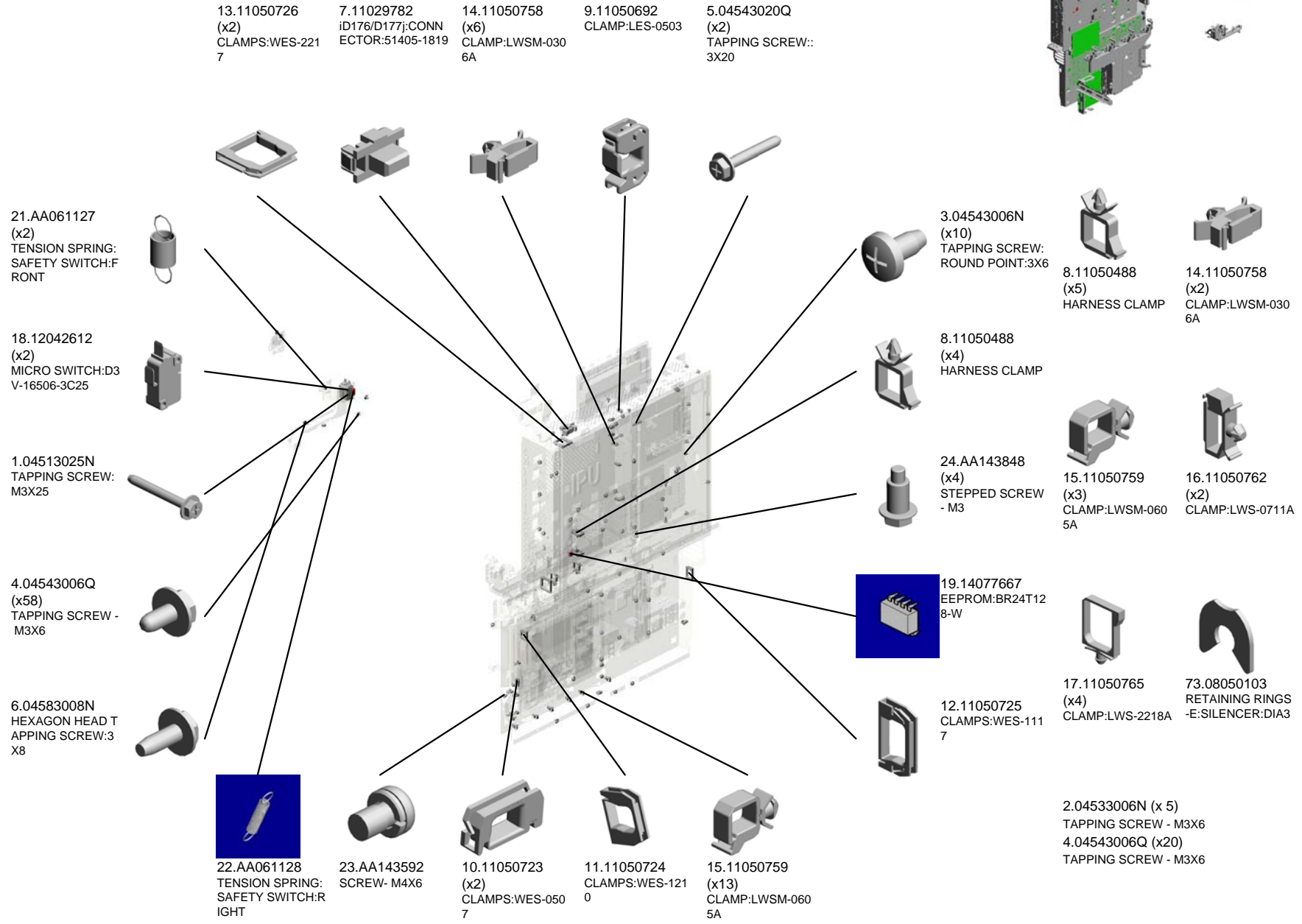


7.07200060E  
RETAINING RING -  
M6



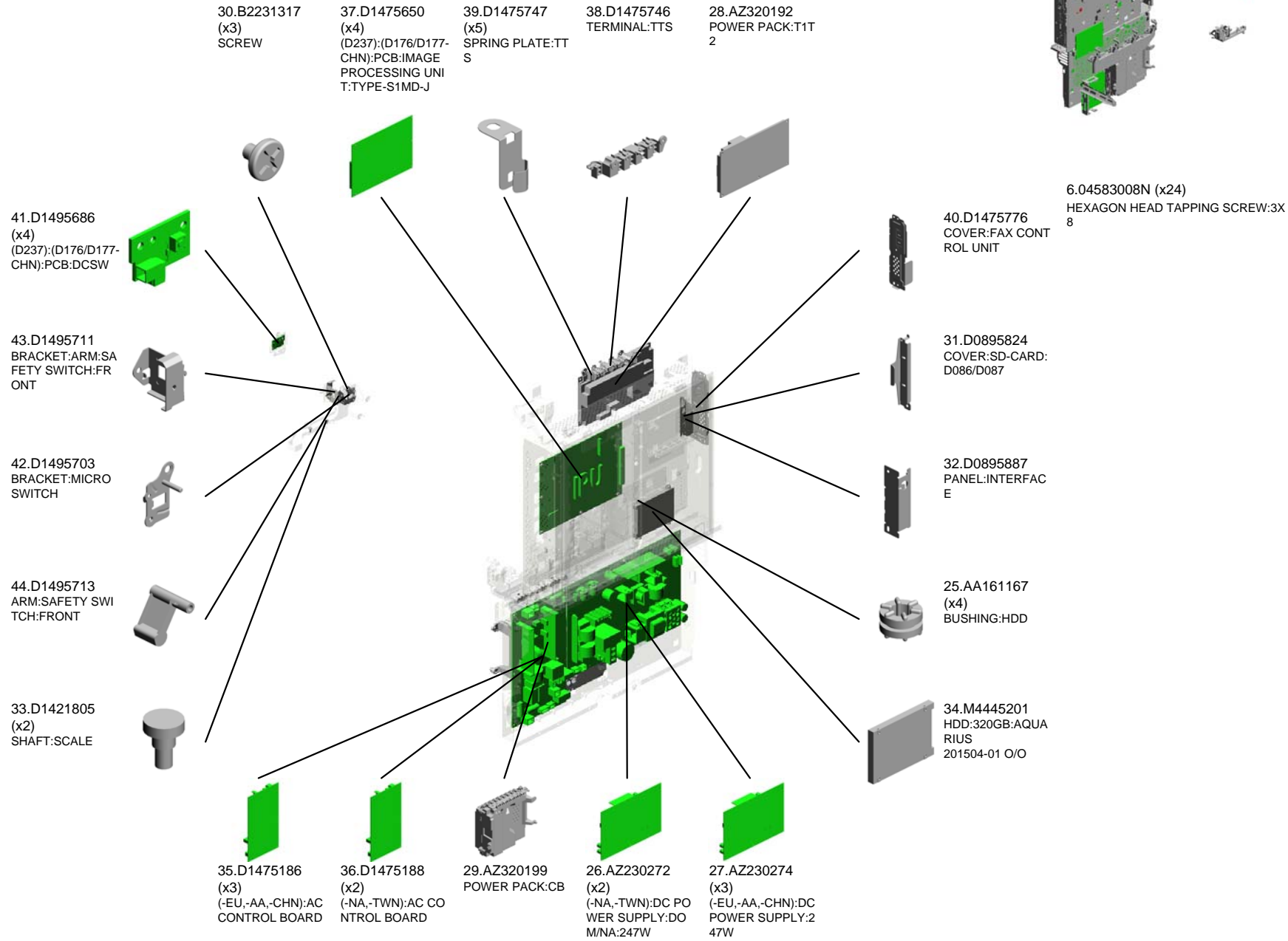
U001	U002	U003	U004	U005	U006	U007	U008	U009	U010	U011	U012	U013	U014	U015	U016
------	------	------	------	------	------	------	------	------	------	------	------	------	------	------	------

# U015 ELECTRICAL

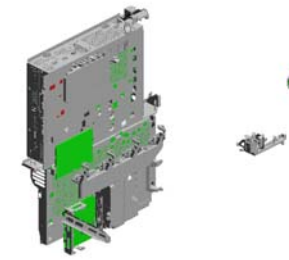
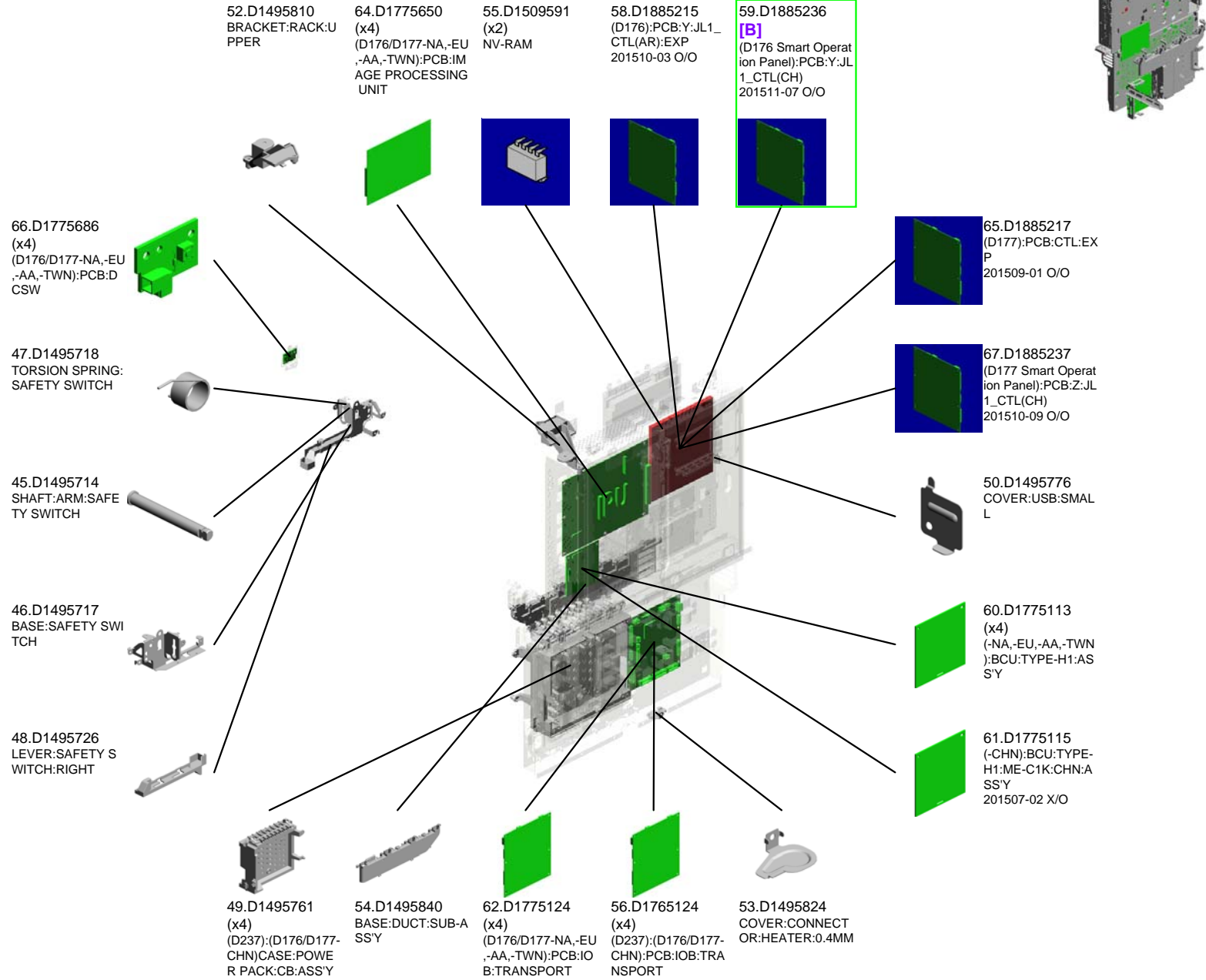


U001	U002	U003	U004	U005	U006	U007	U008	U009	U010	U011	U012	U013	U014	U015	U016
------	------	------	------	------	------	------	------	------	------	------	------	------	------	------	------

# U015 ELECTRICAL



# U015 ELECTRICAL

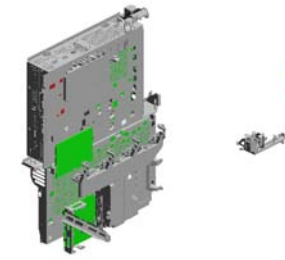


# U015 ELECTRICAL

71.GX640031  
FAN MOTOR:DC.2.  
64W

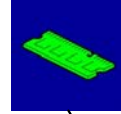
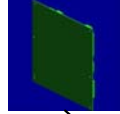
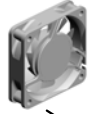
70.D2375675  
(x4)  
PCB:CTL:METIS-C1  
K:EXP(C2011)  
201503-07

72.M1295245  
PCB:DDR3-DIMM:R  
C-A:1.5GB:ASS'Y



76.D1475795  
RACK:MIDDLE:ASS  
'Y  
201501-08 O/O

77.D1475796  
RACK:MIDDLE



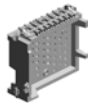
69.D1775801  
COVER:RACK:REA  
R



74.D1765059  
(x4)  
[A]  
(D237):PCB:IOBEN  
GINE:SERVICE:AS  
S'Y  
201511-04 O/O



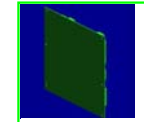
79.D1465786  
BRACKET:HDD  
201507-06 X/O



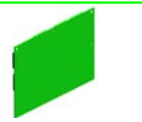
68.D1775761  
(x4)  
iD176/D177-NA,EU,  
AA,TWN):CASE:PO  
WER PACK:CB:AS  
S'Y



75.D1775059  
(D176/D177):PCB:I  
OBENGINE:SERVI  
CE:ASS'Y  
201510-07 O/O



D1765695  
[B]  
(D176 Smart Operat  
ion Panel):PCB:CTL  
:CH:EXP  
201511-07 O/O

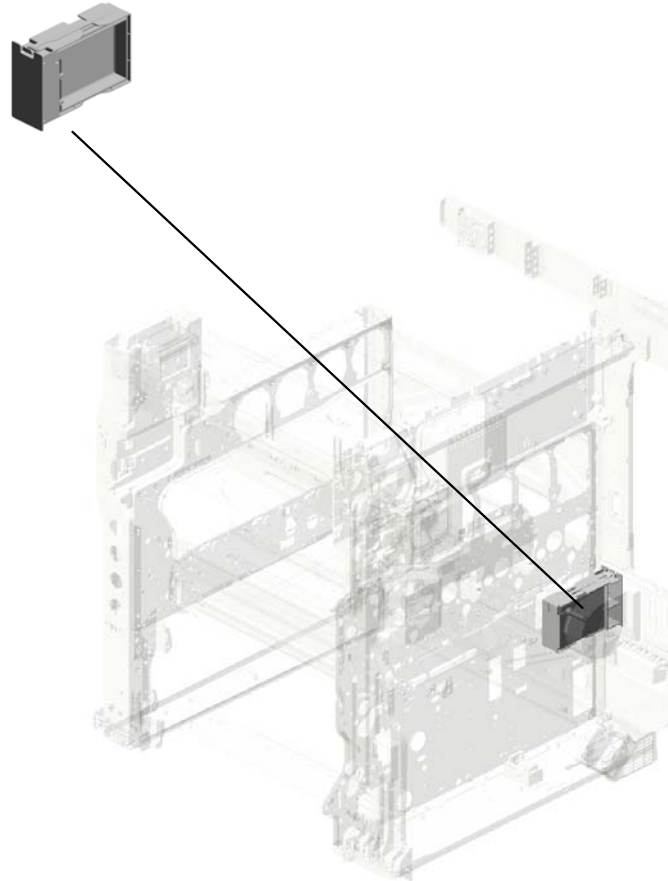


D1765057  
[A]  
(D237):PCB:IOB:EN  
GINE  
201511-04 O/O

U001 U002 U003 U004 U005 U006 U007 U008 U009 U010 U011 U012 U013 U014 **U015** U016

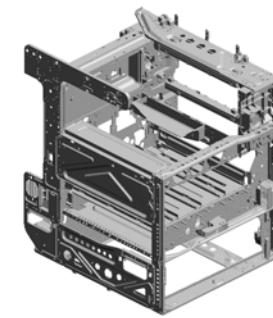
# U016.MAIN FRAME

U016\_S001  
D1777935  
CASE:FILTER:ASSY



U001	U002	U003	U004	U005	U006	U007	U008	U009	U010	U011	U012	U013	U014	U015	U016
------	------	------	------	------	------	------	------	------	------	------	------	------	------	------	------

# U016 MAIN FRAME



- 21.D1497916 DUCT:DEVELOPMENT:FRONT MIDDLE:A
- 1.04503025N (x4) TAPPING SCREW:3X25
- 6.04583008N (x9) HEXAGON HEAD TAPPING SCREW:3X8
- 15.D1175303 THERMISTOR
- 20.D1491099 (x2) COVER:GRIP:LEFT

10.AX640221  
FAN:SIROCCO:DC  
24V:50MM



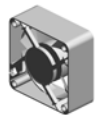
4.04543006Q  
(x12)  
TAPPING SCREW -  
M3X6



23.D1497922  
COVER:FAN:DEVELOPMENT:RIGHT LOWER



11.AX640222  
(x2)  
DC FAN MOTOR:DC  
24V:MM60:25MM



2.04503035N  
(x2)  
TAPPING SCREW:  
3X35



22.D1497917  
DUCT:DEVELOPMENT:FRONT MIDDLE:B



3.04533008N  
BINDING SELF TAPPING SCREW:3X8



9.AX640199  
(x2)  
FAN:MM80:25MM:DC  
2.16W



17.D1477952  
DUCT:SUPPLY:B



13.B2381088  
COVER - CONNECTOR



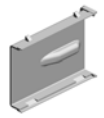
19.D1477957  
DUCT:EXHAUST:DRIVE:B



18.D1477956  
DUCT:EXHAUST:DRIVE:A



16.D1477951  
DUCT:SUPPLY:A



12.AX660015  
DC FAN MOTOR:SIROCCO:DC24V:PW



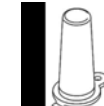
5.04543008Q  
(x3)  
TAPPING SCREW:  
3X8



7.11050764  
CLAMP:LWS-1316A



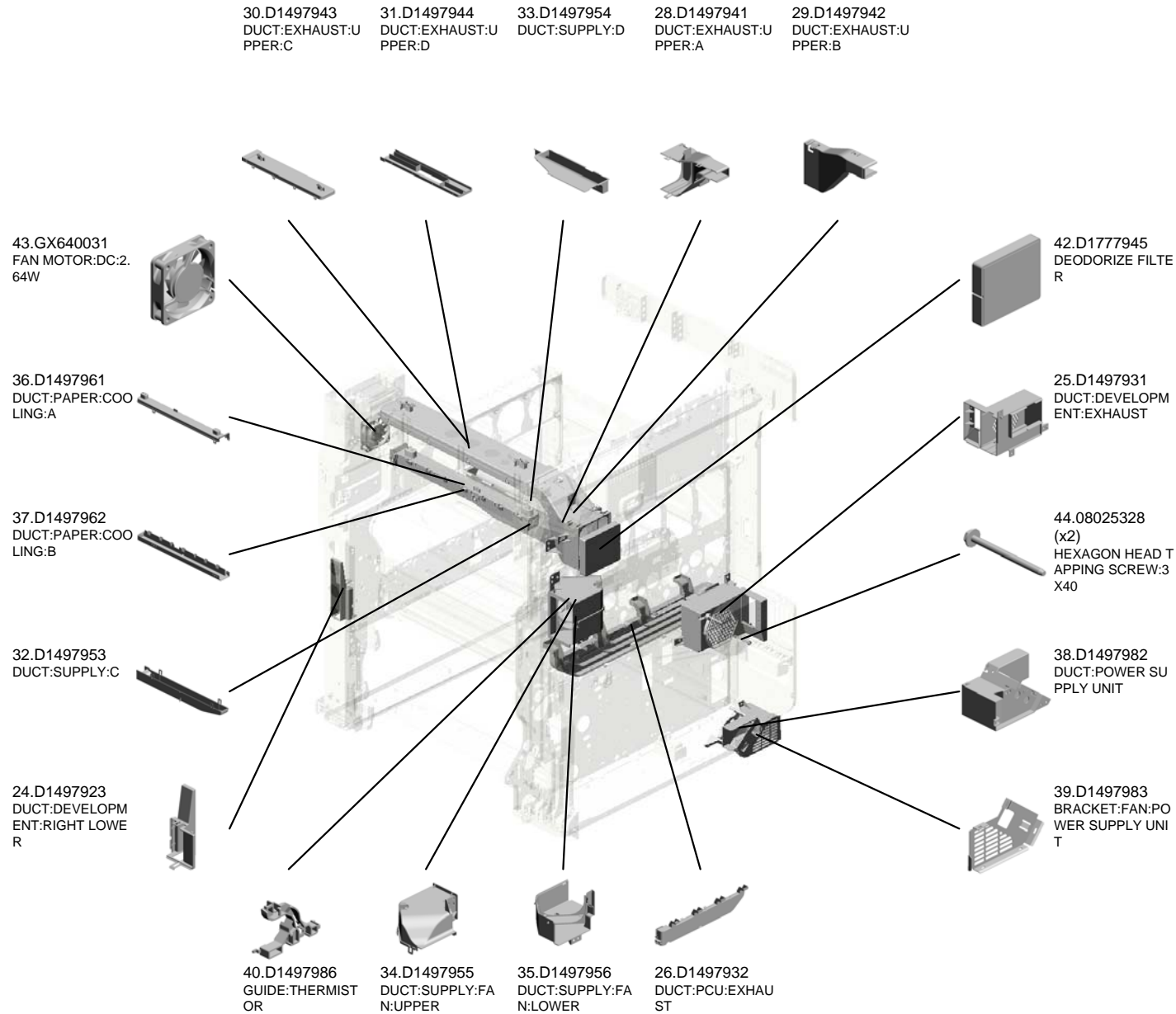
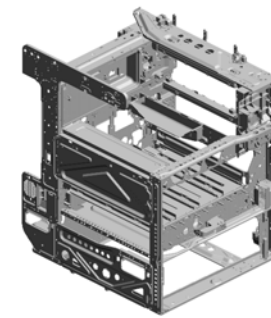
14.B2381089  
COVER - POSITIONING PIN



6.04583008N (x 1)  
HEXAGON HEAD TAPPING SCREW:3X8

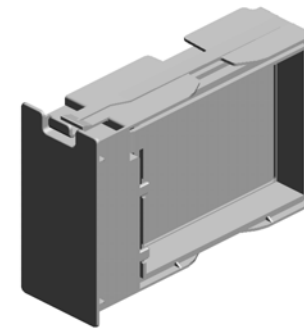


# U016 MAIN FRAME



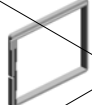
U016\_S001  
CASE:FILTER:ASS'Y

27.D1477937  
[A]  
FILTER:PREVENTF  
ENCE:10  
201511-06 O/O

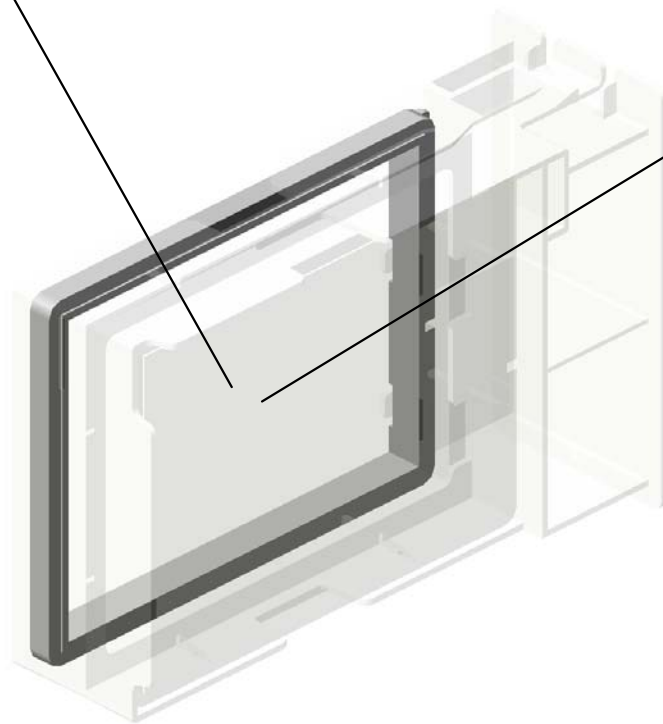



41.D1777935  
CASE:FILTER:ASS'  
Y

~~27.D1497937  
FILTER:PREVENTF  
ENCE  
201511-21~~



D1497937  
[A]  
FILTER:PREVENTF  
ENCE  
201511-06 O/O

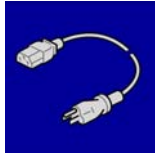


U001	U002	U003	U004	U005	U006	U007	U008	U009	U010	U011	U012	U013	U014	U015	U016
------	------	------	------	------	------	------	------	------	------	------	------	------	------	------	------

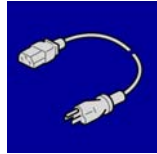
# ACCESSORY



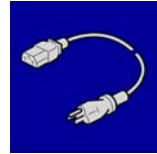
1.04583008N  
HEXAGON HEAD TAPPING SCREW:3  
X8



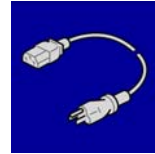
2.11500440  
(-NA):POWER SUPPLY CODE:120V:1  
5A



3.11500441  
(x2)  
(-EU,-AA):POWER SUPPLY CODE:25  
0V:10A



4.11500442  
(-CHN):POWER SUPPLY CODE:250V:  
10A



5.11500443  
(-TWN):POWER SUPPLY CODE:125V  
:15A



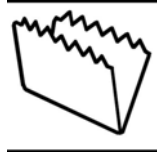
6.AA001564  
PLATE:LOGOTYPE:RIC



7.AA001565  
(D176/D177-AA):PLATE:LOGOTYPE:L  
AN



8.AA001567  
(x2)  
(-AA,-CHN):PLATE:LOGOTYPE:GES



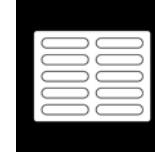
9.B0651374  
CLOTH - DF EXPOSURE GLASS



10.D1201556  
(D176/D177-AA):SHEET:LOGO:LAN



11.D1201557  
(x2)  
(-AA,-CHN):SHEET:LOGO:GES



12.D1291568  
SHEET:APPLICATION:MULTI-LANGU  
AGE:BLANK



13.D1491264  
CAP:ROCKER SWITCH



14.D1491317  
HOLDER:GLASS:CLEANER:ASS'Y



15.D1491321  
(x4)  
(-NA,-EU,-AA,-TWN):DECAL:TONER  
BOTTLE:BK



16.D1491322  
(x4)  
(-NA,-EU,-AA,-TWN):DECAL:TONER  
BOTTLE:C



17.D1491323  
(x4)  
(-NA,-EU,-AA,-TWN):DECAL:TONER  
BOTTLE:M



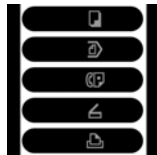
18.D1491324  
(x4)  
(-NA,-EU,-AA,-TWN):DECAL:TONER  
BOTTLE:Y



19.D1491553  
SHEET:LOGO



20.D1491575  
(x2)  
(-NA,-AA):SHEET:APPLICATION:MUL  
TI-LANGUAGE



21.D1491576  
(-EU):SHEET:APPLICATION:MULTI-L  
ANGUAGE



22.D1491577  
(-CHN):SHEET:APPLICATION:MULTI-  
LANGUAGE



23.D1491578  
(-TWN):SHEET:APPLICATION:MULTI-  
LANGUAGE



24.D1494390  
(x2)  
(-NA,-AA):DECAL:CAUTION:INKJET

# ACCESSORY



25.D1494472  
END FENCE:TRAY:EXIT



26.D1496333  
COVER:INTERMEDIATE TRANSFER



27.D1496667  
(-CHN);DECAL:CAUTION:INKJET



28.D1496668  
(-TWN);DECAL:CAUTION:INKJET



29.D1496766  
(x3)  
(-NA,-EU,-AA);DECAL:CAUTION:ORIG  
INAL:ENGLISH



30.D1496767  
(-CHN);DECAL:CAUTION:ORIGINAL:  
CHINESE



31.D1496768  
(-TWN);DECAL:CAUTION:ORIGINAL:  
TAIWAN



32.D1496851  
(x2)  
(-NA,-AA);DECAL:MAIN SWITCH:ON-  
STANDBY:ENGLISH



33.D1496852  
(x3)  
(-EU,-CHN,-TWN);DECAL:MAIN SWIT  
CH:ON-STANDBY



34.D1496862  
DECAL:SIZE INDICATION:PAPER TR  
AY:EXP



35.D1766752  
(x3)  
(D176-NA,-EU,-AA);DECAL:MODEL N  
AME PLATE:RIC:EXP



36.D1766753  
(x2)  
(D176-CHN,TWN);DECAL:MODEL NA  
ME PLATE:RIC



37.D1767991  
(x2)  
(D176/D177-NA,-AA);MANUAL:NOTES  
\_SECU:GB:TAH



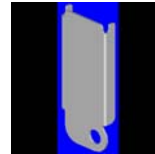
38.D1767994  
(D176/D177-EU);SHEET:SECU\_EXP\_  
T:EXP



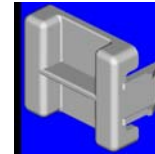
39.D1776752  
(x3)  
(D177-NA,-EU,-AA);DECAL:MODEL N  
AME PLATE:RIC:EXP



40.D1776753  
(x2)  
(D177-CHN,-TWN);DECAL:MODEL N  
AME PLATE:RIC



41.D2371026  
(x4)  
(D237);COVER:CONNECTOR:DRAW  
ER:FINISHING SUB-UNIT



42.D2371027  
(x4)  
(D237);COVER:CONNECTOR:DRAW  
ER:JOINT UNIT



43.D2376752  
(x2)  
(D237-EU,-AA);DECAL:MODEL NAME  
PLATE:RIC:EXP



44.D2376753  
(x2)  
(D237-CHN,-TWN);DECAL:MODEL N  
AME PLATE:RIC:CHN



45.D2376754  
(D237-CHN);DECAL:MODEL NAME P  
LATE:GES:CHN



46.D6846031  
(x2)  
(-NA,-EU);DECAL:ORIGINAL TABLE



47.D6846061  
(x2)  
(-NA,-EU);DECAL:ORIGINAL:MANY L  
ANGUAGES



48.GA003268  
DECAL:PDF:I-GRAY:ABS

## SPECIAL TOOLS



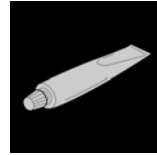
1.52039502  
Silicon Grease G-501



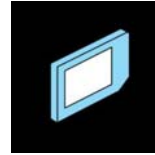
2.A0929503  
C4 COLOR TEST CHART (3 PCS/SET )



3.A1849501  
Scanner Positioning Pin (2pcs/set)



4.A2579300  
GREASE - BARRIERTA S552R



5.B6455020  
SD CARD(1GB)



6.C4019503  
20X MAGNIFICATION SCOPE



7.VSSG9002  
FLUOTRIBO MG GREASE : 100G

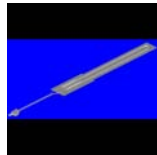
## HEATER



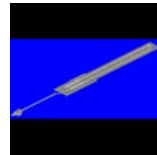
1.D1860404  
(x2)  
**[A]**  
(D176/D177-NA)(-TWN):KIT:HEATER:DEHUMIDIFIER  
201511-15 X/O



2.D1860405  
(x3)  
**[B]**  
(-EU,-AA,-CHN):KIT:HEATER:DEHUMIDIFIER  
201511-16 X/O



3.D7390071  
HEATER:SCANNER:NA:ASS'Y



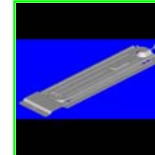
4.D7390072  
HEATER:SCANNER:EU:ASS'Y



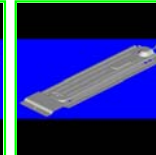
5.D7390116  
(-NA):HEATER:PHOTOCONDUCTOR:NA:ADHESION  
201409-07



6.D7390117  
(x3)  
(-EU,-AA,-CHN):HEATER:PHOTOCONDUCTOR:EU:ADHESION  
201409-08



D1860402  
**[A]**  
KIT:HEATER:DEHUMIDIFIER:NA  
201511-15 X/O



D1860403  
**[B]**  
KIT:HEATER:DEHUMIDIFIER:EU  
201511-16 X/O



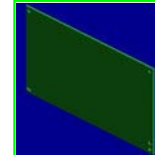
7.D7390506  
(x2)  
**[D]**  
(D176/D177-NA)(-TWN):ELECTRICAL COMPONENTS SECTION:ASS'Y  
201511-17 X/O



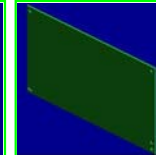
8.D7390507  
(x3)  
**[C]**  
(-EU,-AA,-CHN):ELECTRICAL COMPONENTS SECTION:ASS'Y  
201511-14 X/O



9.D1475170  
PCB:DHB  
201511-19



D7390501  
**[D]**  
(D176/D177-NA)(-TWN):ELECTRICAL COMPONENTS SECTION:ASS'Y  
201511-17 X/O



D7390502  
**[C]**  
(-EU,-AA,-CHN):ELECTRICAL COMPONENTS SECTION:EU:ASS'Y  
201511-14 X/O

## Exclusive Parts

Number	Part Name	Group	ID
52039502	Silicon Grease G-501	SPECIAL TOOLS	1
52062686	SNAP RING	U001	4
		U004_S004	10
		U004_S005	10
52152621	SNAP RING - M6	U010	5
		U013	14
54472681	SNAP RING	U010	6
		U013	15
A0929503	C4 COLOR TEST CHART (3 PCS/SET)	SPECIAL TOOLS	2
A1849501	Scanner Positioning Pin (2pcs/set)	SPECIAL TOOLS	3
A2324666	CUSHION - STEPPER MOTOR	U003_S001	16
		U012_S002_S001	11
A2501752	EXPOSURE GLASS	U003	17
A2579300	GREASE - BARRIERTA S552R	SPECIAL TOOLS	4
AA001564	PLATE:LOGOTYPE:RIC	ACCESSORY	6
AA001565	(D176/D177-AA):PLATE:LOGOTYPE:LAN	ACCESSORY	7
AA001567	(-AA,-CHN):PLATE:LOGOTYPE:GES	ACCESSORY	8
AA043623	TIMING BELT - B40S2M180	U014_S001	12
AA043980	TIMING BELT:30S2M300	U013_S001	18
AA060151	TENSION SPRING	U008_S001	8
AA061121	TORSION SPRING:STRIPPER PLATE:FRONT	U011_S001	19
		U011_S002	19
		U011_S003	19
		U011_S004	19
		U011_S005	19
AA061122	TORSION SPRING:STRIPPER PLATE:REAR	U011_S001	20
		U011_S002	20
		U011_S003	20
		U011_S004	20
		U011_S005	20
AA061127	TENSION SPRING:SAFETY SWITCH:FRONT	U015	21
AA061128	TENSION SPRING:SAFETY SWITCH:RIGHT	U015	22
AA063499	PRESSURE SPRING	U013_S001_S003	19

Number	Part Name	Group	ID
AA063941	COMPRESSION SPRING:REGISTRATION:INNER:DRIVE	U010_S001	7
AA063942	COMPRESSION SPRING:REGISTRATION:DRIVE	U010_S001	8
AA063943	COMPRESSION SPRING:GUIDE PLATE:REGISTRATION:4N	U010_S001	9
AA066423	TORSION SPRING:GUIDE:FUSING EXIT	U011_S001	21
		U011_S002	21
		U011_S003	21
		U011_S004	21
		U011_S005	21
AA080346	BUSHING:FLANGE TYPE:DIA6	U010_S001	10
AA082101	BUSHING - 6X10X6	U008	9
		U008_S003	9
AA082144	BUSHING - 8X12X7	U003	18
		U010	11
AA082170	PLAIN SHAFT BEARING:DIA4XDIA8X5:EG-1	U012_S002	12
		U013_S001	20
		U013_S001_S003	20
AA082171	PLAIN SHAFT BEARING:6X10X6	U013_S001_S003	21
AA082173	PLAIN SHAFT BEARING:6X10X6	U004	13
		U004_S004	13
		U004_S005	13
		U012_S002	13
		U013_S001	22
AA082174	PLAIN SHAFT BEARING:6X10X9	U004_S004	14
		U004_S005	14
AA082175	PLAIN SHAFT BEARING:8X12X7	U004	15
AA082187	BUSHING:DIA6XDIA10X9:EG-1	U013_S001_S003	23
AA083014	ONE-WAY CLUTCH	U013_S001	24
AA083018	ROLLER CLUTCH - 6X14X10	U013_S001	25
AA100014	RETAINING RING C - SEPARATE	U004_S004	16
		U004_S005	16
		U013_S001_S003	26
AA120149	DISCHARGE BRUSH:PRESSURE ROLLER	U011_S001	22
		U011_S002	22
		U011_S003	22

## Exclusive Parts

Number	Part Name	Group	ID
		U011_S004	22
		U011_S005	22
AA143219	STEPPED SCREW	U011	23
AA143537	SCREW:M3:BLACK	U001	5
		U003	19
AA143579	SCREW - M3	U013_S001_S003	27
AA143592	SCREW- M4X6	U015	23
AA143807	SCREW:A	U013_S001	28
AA143848	STEPPED SCREW - M3	U015	24
AA143882	SCREW:DIA5:1.5T	U008_S001	10
AA148836	SHAFT:GEAR:IDLER:WORM GEAR	U011	24
AA161167	BUSHING:HDD	U015	25
AB010156	GEAR:SEPARATE:DRIVE	U013_S001_S003	29
AB010157	GEAR:SEPARATE:DRIVEN	U013_S001_S003	30
AB011252	GEAR - 20Z	U013_S001_S003	31
AB011571	GEAR:Z19:DRIVE:REGISTRATION	U010_S001	12
AB011572	GEAR:Z19:DRIVEN:REGISTRATION	U004	17
AB011573	GEAR:REGISTRATION:NO.2	U004	18
AB012096	GEAR:DRIVE:FUSING UNIT	U011_S001	25
		U011_S002	25
		U011_S003	25
		U011_S004	25
		U011_S005	25
AB012097	GEAR:IDLER:PRESSURE ROLLER	U011_S001	26
		U011_S002	26
		U011_S003	26
		U011_S004	26
		U011_S005	26
AB012098	GEAR:PRESSURE ROLLER	U011_S001	27
		U011_S002	27
		U011_S003	27
		U011_S004	27
		U011_S005	27
AB012099	GEAR:ON-OFF:PRESSURE ROLLER	U011_S001	28
		U011_S002	28
		U011_S003	28
		U011_S004	28

Number	Part Name	Group	ID
		U011_S005	28
AB012102	GEAR:IDLER:WORM GEAR	U011	29
AB012103	GEAR:IDLER:LIGHT SHIELDING PLATE	U011	30
AC030169	MIRROR:NO.1	U003_S002	20
AE020223	PRESSURE ROLLER:DIA32:SERVICE PARTS	U011_S001	31
		U011_S002	31
		U011_S003	31
		U011_S004	31
		U011_S005	31
AE030074	BALL BEARING:DIA17XDIA26X5	U011_S001	32
		U011_S002	32
		U011_S003	32
		U011_S004	32
		U011_S005	32
AF013006	BOTTOM PLATE PAD	U004_S006_S004	19
		U004_S007_S004	19
		U004_S008_S004	19
		U004_S009_S004	19
		U004_S010_S004	19
		U004_S011_S004	19
		U004_S012_S004	19
		U004_S013_S004	19
		U004_S014_S004	19
		U004_S015_S004	19
AF013016	BOTTOM PLATE PAD	U013_S001_S004	32
AF020799	REGISTRATION ROLLER:DRIVE	U010_S001	13
AF030049	PICK-UP ROLLER	U013_S001_S003	33
AF030094	PAPER FEED ROLLER:PICKUP	U004_S004	20
		U004_S005	20
AF031046	FEED ROLLER - MANUAL FEED	U013_S001_S003	34
AF031049	FEED ROLLER	U004_S004	21
		U004_S005	21
AF032046	SEPARATION ROLLER - MANUAL FEED	U013_S001_S003	35
AF032049	SEPARATION ROLLER	U004_S004	22
		U004_S005	22
AF040064	ROLLER:DRIVEN:FUSING EXIT	U011_S001	33

## Exclusive Parts

Number	Part Name	Group	ID
		U011_S002	33
		U011_S003	33
		U011_S004	33
		U011_S005	33
AF040571	GUIDE ROLLER	U012_S002	14
AF040575	DRIVEN ROLLER	U012_S002	15
AG070513	MAGNET CATCH	U001	6
AG070514	MAGNET CATCH	U009	8
AG071007	LATCH - BY PASS FEED TABLE	U001	7
AW010147	PHOTO REFLECTION SENSOR	U011	34
AW010155	ORIGINAL SENSOR:66MM:3.3V	U003	21
AW010200	PAPER FEED SENSOR:FUSING EX IT	U010_S001_S001	14
AW020190	PHOTOINTERRUPTOR	U011	35
AW020198	PHOTOINTERRUPTOR:LG2A14NL 1	U009	9
AW020203	PHOTOINTERRUPTOR:GP1A173L CS2F	U004_S004	23
		U004_S005	23
		U008	11
		U010	15
		U013_S001_S003	36
		U013_S001_S004	36
AW020207	PHOTOINTERRUPTOR:FLAT:PICH 2MM:M4	U003	22
AW020214	PHOTOINTERRUPTOR:LG248NL1 A	U003	23
AW100138	THERMOPILE	U011	36
AW100150	NON-CONTACT TYPE THERMISTO R:NC-F10:MIDDLE	U011_S001	37
		U011_S002	37
		U011_S003	37
		U011_S004	37
		U011_S005	37
AW100151	NON-CONTACT TYPE THERMISTO R:NC-F10:FRONT	U011_S001	38
		U011_S002	38
		U011_S003	38
		U011_S004	38
		U011_S005	38
AW100154	THERMISTOR:PRESSURE:MIDDLE	U011_S001	39

Number	Part Name	Group	ID
		U011_S002	39
		U011_S003	39
		U011_S004	39
		U011_S005	39
AW100156	THERMISTOR:PRESSURE:FRONT: 2P	U011_S001	40
		U011_S002	40
		U011_S003	40
		U011_S004	40
		U011_S005	40
AW110111	THERMOSTAT:MIDDLE	U011_S001	41
		U011_S002	41
		U011_S003	41
		U011_S004	41
		U011_S005	41
AW110112	THERMOSTAT:REAR	U011_S001	42
		U011_S002	42
		U011_S003	42
		U011_S004	42
		U011_S005	42
AW140016	TEMPERATURE & HUMIDITY SEN SOR	U008	12
AW500039	ROTARY SWITCH:PAPER SIZE SE NSOR:CW	U013_S001_S004	37
AW500040	PUSH SWITCH:SW1AG-550:10MA	U004	24
		U009	10
		U013	38
		U013_S001	38
AW500041	PUSH SWITCH:PAPER SIZE SENS OR	U004	25
AX040273	DC MOTOR:RISING TRAY:ASS'Y:1. 007W:BRUSH	U004	26
AX060419	DC POLYGON MIRROR MOTOR	U005_S001	2
AX060435	DC MOTOR:GEAR:10W:BRUSHLES S	U013	39
		U013_S001	39
		U014_S001	13
		U014_S002	13
		U014_S004	13
AX060441	DC BRUSHLESS MOTOR:FUSING	U014_S004	14



## Exclusive Parts

Number	Part Name	Group	ID
	UNIT:26.8W		
AX060443	DC BRUSHLESS MOTOR:DEVELOPMENT:COLLAR:29.3W	U014_S003	15
AX060456	DC BRUSHLESS MOTOR:DRUM:COLLAR	U014_S003	16
AX060457	DC BRUSHLESS MOTOR:DRUM:TRANSFER	U014_S003	17
AX640199	FAN:MM80:25MM:DC 2.16W	U016	9
AX640221	FAN:SIROCCO:DC24V:50MM	U016	10
AX640222	DC FAN MOTOR:DC24V:MM60:25MM	U016	11
AX660015	DC FAN MOTOR:SIROCCO:DC24V:PWM	U016	12
AZ230272	(-NA,-TWN):DC POWER SUPPLY:DOM/NA:247W	U015	26
AZ230274	(-EU,-AA,-CHN):DC POWER SUPPLY:247W	U015	27
AZ320192	POWER PACK:T1T2	U015	28
AZ320199	POWER PACK:CB	U015	29
B0651374	CLOTH - DF EXPOSURE GLASS	ACCESSORY	9
B2231099	FLAT SCREW	U013_S001_S004	40
B2231317	SCREW	U015	30
B2232862	LEVER - RELEASE INNER	U004_S007	27
		U004_S008	27
		U004_S009	27
		U004_S010	27
		U004_S011	27
		U004_S012	27
		U004_S013	27
		U004_S014	27
		U004_S015	27
B2233241	SPRING:SHUTTER:PUMP UNIT	U007	11
B2234552	BUSHING:DIA4	U013_S001	41
B2236069	JOINT:DRIVE:INTERMEDIATE TRANSFER	U008_S004	13
B2236476	BUSHING - DIA5	U009	11
B2342864	PAD:CLEANER	U004_S006_S001	28
		U004_S006_S002	28

Number	Part Name	Group	ID
		U004_S007_S001	28
		U004_S007_S002	28
		U004_S008_S001	28
		U004_S008_S002	28
		U004_S009_S001	28
		U004_S009_S002	28
		U004_S010_S001	28
		U004_S010_S002	28
		U004_S011_S001	28
		U004_S011_S002	28
		U004_S012_S001	28
		U004_S012_S002	28
		U004_S013_S001	28
		U004_S013_S002	28
		U004_S014_S001	28
		U004_S014_S002	28
		U004_S015_S001	28
		U004_S015_S002	28
B2381088	COVER - CONNECTOR	U016	13
B2381089	COVER - POSITIONING PIN	U016	14
B2381806	IDLER PULLEY	U003	24
B2381807	PULLEY	U003	25
B6455020	SD CARD(1GB)	SPECIAL TOOLS	5
B8303504	TIMING BELT - 40S2M100	U004_S004	29
		U004_S005	29
C4019503	20X MAGNIFICATION SCOPE	SPECIAL TOOLS	6
D0092573	PULLEY - VERTICAL TRANSPORT	U013_S001_S001	42
		U013_S001_S002	42
D0092574	PULLEY - IDLER	U013_S001_S001	43
		U013_S001_S002	43
D0094455	CUSHION - DC SOLENOID	U012_S002	16
		U013_S001	44
D0094485	BUSHING - GATE	U013_S001	45
D0094487	COMPRESSION SPRING - GATE	U013_S001	46
D0291749	PULLEY:PROTECTION	U003	26
D0292677	TRANSPORT BELT:DRIVEN:VERTICAL TRANSPORT	U013_S001_S001	47
		U013_S001_S002	47
D0392566	TENSION SPRING:GRIP:RIGHT	U004_S006	30

## Exclusive Parts

Number	Part Name	Group	ID
		U004_S007	30
		U004_S008	30
		U004_S009	30
		U004_S010	30
		U004_S011	30
		U004_S012	30
		U004_S013	30
		U004_S014	30
		U004_S015	30
D0392993	SHAFT:TRANSPORT BELT:PULLEY	U013_S001_S001	48
		U013_S001_S002	48
D0394525	COMPRESSION SPRING:SHAFT:GUIDE PLATE:EXIT	U013_S001	49
D0394529	STOPPER:GUIDE PLATE:ROLLER:DRIVEN	U013_S001	50
D0394597	TENSION SPRING:DRIVEN ROLLER	U013_S001	52
D0394912	DISCHARGE BRUSH:REVERSE	U012_S002	17
D0394925	ROLLER:REVERSE:DRIVEN	U012_S002	18
D0394927	COMPRESSION SPRING:PRESSURE:REVERSE:DRIVEN	U012_S002	19
D0892764	GEAR:FEED	U004_S004	31
		U004_S005	31
D0895824	COVER:SD-CARD:D086/D087	U015	31
D0895887	PANEL:INTERFACE	U015	32
D1054365	HOLDER:THERMOPILE	U011	43
D1124264	DECAL:WARNING (HIGH TEMPERATURE):FUSING	U011_S001_S001	44
		U011_S002_S001	44
		U011_S003_S001	44
		U011_S004_S001	44
		U011_S005_S001	44
D1175303	THERMISTOR	U016	15
D1175916	STEPPED SCREW:M3X8:SECOND KIND	U008	14
D1201556	(D176/D177-AA):SHEET:LOGO:LAN	ACCESSORY	10
D1201557	(-AA,-CHN):SHEET:LOGO:GES	ACCESSORY	11
D1291508	KEYTOP:HOME	U002_S001	9
		U002_S002	9

Number	Part Name	Group	ID
		U002_S003	9
		U002_S004	9
		U002_S005	9
		U002_S006	9
		U002_S007	9
		U002_S008	9
		U002_S009	9
D1291528	SHEET:KEYTOP:LEFT	U002_S001	10
		U002_S002	10
		U002_S003	10
		U002_S004	10
		U002_S005	10
		U002_S006	10
		U002_S007	10
		U002_S008	10
		U002_S009	10
D1291568	SHEET:APPLICATION:MULTI-LANGUAGE:BLANK	ACCESSORY	12
D1292783	TORQUE LIMITER MECHANICAL CLUTCH:40MM:DIA18	U004_S004	32
		U004_S005	32
		U013_S001_S003	53
D1421805	SHAFT:SCALE	U015	33
D1441085	STEPPED SCREW:M3	U011_S001	45
		U011_S002	45
		U011_S003	45
		U011_S004	45
		U011_S005	45
D1444484	SHOULDER SCREW - M3	U012_S002	20
D1444489	STOPPER:DRIVEN ROLLER	U013_S001_S001	54
		U013_S001_S002	54
D1461488	PCB:OP-R:ASS'Y	U002_S001	14
		U002_S002	14
		U002_S003	14
		U002_S004	14
		U002_S005	14
		U002_S006	14
		U002_S007	14
		U002_S008	14

## Exclusive Parts

Number	Part Name	Group	ID
		U002_S009	14
D1465786	BRACKET:HDD	U015	79
D1471107	DC SOLENOID:ASS'Y	U014_S003	30
D1471109	BRACKET:DC SOLENOID:ASS'Y	U014_S003	29
D1471177	TENSION SPRING:ARM:MCPG	U014_S003	18
D1471255	COVER:LEFT:INTERFACE:D146/D147	U001	8
D1471285	COVER:SCANNER:UPPER:LEFT	U001	9
D1471805	EXPOSURE GLASS:DOCUMENT FEEDER:APPLY	U003	28
D1471855	OPTICAL WRITING SECTION:1LD:ASS'Y	U005_S001	3
D1472092	FRAME:DISCHARGE LAMP:30	U006	4
D1472093	DISCHARGE LAMP:LED ARRAY:30	U006	5
D1472310	COVER:PCU:FRONT:30	U006	6
D1472734	GUIDE PLATE:SEPARATE	U004_S004	33
		U004_S005	33
D1472736	BRACKET:SEPARATE:REAR	U004_S004	34
		U004_S005	34
D1472737	LEVER:PRESSURE:SEPARATE	U004_S004	35
		U004_S005	35
D1472738	LINK:RELEASE	U004_S004	36
		U004_S005	36
D1472752	SHAFT:SEPARATE:ASS'Y	U004_S004	38
		U004_S005	38
D1472754	COIL SPRING:PRESSURE:SEPARATE	U004_S004	39
		U004_S005	39
D1472755	COIL SPRING:RELEASE:SEPARATE	U004_S004	40
		U004_S005	40
D1472866	COVER:PAPER TRAY:NO.2	U004_S007	95
		U004_S008	95
		U004_S009	95
		U004_S010	95
		U004_S011	95
		U004_S012	95
		U004_S013	95
		U004_S014	95
		U004_S015	95

Number	Part Name	Group	ID
D1473269	DRIVE UNIT:TONER BOTTLE:ASS'Y	U007_S001	12
		U007_S002	12
		U007_S003	12
		U007_S004	12
D1473281	HOUSING:TONER CARTRIDGE:BK:ASS'Y	U007	15
D1473282	HOUSING:TONER CARTRIDGE:CMY:ASS'Y	U007	16
D1473285	(D237):(D176/D177-CHN):TRANSPORT SCREW:NOZZLE:BK:ASS'Y	U007_S025	13
		U007_S029	13
		U007_S030	13
		U007_S031	13
D1473286	TRANSPORT SCREW:NOZZLE:CMY:ASS'Y	U007_S026	14
		U007_S027	14
		U007_S028	14
D1473494	COVER:PCU:REAR:ASS'Y	U006_S001	7
		U006_S002	7
		U006_S003	7
		U006_S004	7
D1474269	STEPPED SCREW:FIX:FUSING	U011_S001	46
		U011_S002	46
		U011_S003	46
		U011_S004	46
		U011_S005	46
<b>D1475170</b>	<b>PCB:DHB</b>	<b>HEATER</b>	<b>9</b>
D1475186	(-EU,-AA,-CHN):AC CONTROL BOARD	U015	35
D1475188	(-NA,-TWN):AC CONTROL BOARD	U015	36
D1475650	(D237):(D176/D177-CHN):PCB:IMAGE PROCESSING UNIT:TYPE-S1MD-J	U015	37
D1475746	TERMINAL:TTS	U015	38
D1475747	SPRING PLATE:TTS	U015	39
D1475776	COVER:FAX CONTROL UNIT	U015	40
D1475796	RACK:MIDDLE	U015	77
D1476215	GUIDE PLATE:TRANSFER:SECOND:ASS'Y	U010_S001_S001	48
<b>D1477937</b>	<b>FILTER:PREVENTFENCE:10</b>	<b>U016_S001</b>	<b>27</b>

## Exclusive Parts

Number	Part Name	Group	ID
D1477951	DUCT:SUPPLY:A	U016	16
D1477952	DUCT:SUPPLY:B	U016	17
D1477956	DUCT:EXHAUST:DRIVE:A	U016	18
D1477957	DUCT:EXHAUST:DRIVE:B	U016	19
D1481240	COVER:FRONT:ASS'Y	U001_S001	10
D1482663	MANUAL FEED TABLE	U013_S001_S004	83
D1482670	GUIDE PLATE:VERTICAL TRANSP ORT:NO.1:DRIVEN:ASS'Y	U013_S001_S001	55
D1482672	GUIDE PLATE:VERTICAL TRANSP ORT:NO.1:DRIVEN	U013_S001_S001	57
D1482675	HOLDER:DRIVEN:BELT	U013_S001_S001	58
		U013_S001_S002	58
D1482683	GUIDE PLATE:VERTICAL TRANSP ORT:NO.2:DRIVEN	U013_S001_S002	59
D1482685	GUIDE PLATE:VERTICAL TRANSP ORT:NO.2:DRIVEN:ASS'Y	U013_S001_S002	183
D1482702	SPACER:TRANSPORT ROLLER	U004_S004	41
		U004_S005	41
D1482751	ARM:PRESSURE:SEPARATE	U004_S004	37
		U004_S005	37
D1482759	TRANSPORT ROLLER:VERTICAL T RANSPORT:ASS'Y	U004_S004	42
		U004_S005	42
D1484441	GUIDE PLATE:EXIT:UPPER	U012_S002	60
D1484673	GUIDE PLATE:DRIVEN	U013_S001	114
D1484681	BRACKET:MOTOR:PEEN	U013_S001	117
D1484750	BRACKET:MOTOR:DUPLEX:PEEN	U013	157
<b>D1484774</b>	<b>COVER:MANUAL FEED TABLE</b>	<b>U013_S001_S004</b>	<b>167</b>
D1484833	MANUAL FEED TABLE:EXP:ASS'Y	U013_S001_S004	194
D1491099	COVER:GRIP:LEFT	U016	20
D1491168	BRACKET:DRIVE:COLLECTION BO TTLE:ASS'Y	U009	12
D1491173	GEAR:IDLER:TONER BOTTLE	U009	13
D1491174	GEAR:COLLECTION BOTTLE	U009	14
D1491178	DRIVE UNIT:PAPER FEED:ASS'Y	U014_S001	19
D1491199	DRIVE UNIT:ON-OFF:TRANSFER	U014	20
D1491230	COVER:UPPER	U001	11
D1491231	COVER:UPPER:FRONT	U001	12
D1491233	COVER:UPPER:INNER BACK	U001	13

Number	Part Name	Group	ID
D1491234	COVER:UPPER:INNER BACK:MIDD LE	U001	14
D1491235	COVER:UPPER:INNER BACK:BIN	U001	15
D1491237	COVER:UPPER:INNER BACK:LEFT LOWER	U001	16
D1491242	COVER:MAIN SWITCH	U001	17
D1491243	COVER:FRONT:UPPER:OPERATIO N SUB-UNIT	U001	18
D1491245	COVER:FRONT:UPPER	U001	20
D1491248	HINGE:COVER:FRONT:USED TON ER	U001	21
D1491251	COVER:LEFT:UPPER	U001	23
D1491252	COVER:LEFT:UPPER:REAR	U001	24
D1491257	CAP:34X55	U001	25
D1491260	COVER:REAR:LOWER	U001	26
D1491261	COVER:REAR:UPPER	U001	27
D1491263	CAP:LOUVER:DEODORIZE FILTER	U001	28
D1491264	CAP:ROCKER SWITCH	ACCESSORY	13
D1491265	COVER:RIGHT:REAR	U001	29
D1491266	COVER:RIGHT:FRONT LOWER	U001	30
D1491267	COVER:RIGHT:UPPER	U001	31
D1491269	COVER:REAR:RIGHT UPPER	U001	32
D1491273	INNER COVER:FRONT:LOWER	U001	33
D1491274	INNER COVER:FRONT:USED TON ER	U001	34
D1491275	INNER COVER:FRONT:RIGHT LO WER	U001	35
D1491278	TORSION SPRING:COVER:USED T ONER	U001	36
D1491281	COVER:SCANNER:FRONT	U001	37
D1491284	COVER:SCANNER:LEFT	U001	39
D1491287	COVER:SCANNER:RIGHT	U001	40
D1491288	COVER:SCANNER:UPPER:RIGHT	U001	41
D1491291	CAP:HARNESS	U001	42
D1491294	(-AA,-CHN,-TWN):CAP:HARNESS:C ORNER	U001	43
D1491305	CAP:TOTAL COUNTER	U001	45
D1491307	SPRING PLATE:BAND	U001	46

## Exclusive Parts

Number	Part Name	Group	ID
D1491308	BAND:STOPPER:DOOR	U001	47
D1491309	MAGNET CATCH:COVER:FRONT	U001_S001	48
D1491317	HOLDER:GLASS:CLEANER:ASS'Y	ACCESSORY	14
D1491321	(-NA,-EU,-AA,-TWN):DECAL:TONE R BOTTLE:BK	ACCESSORY	15
D1491322	(-NA,-EU,-AA,-TWN):DECAL:TONE R BOTTLE:C	ACCESSORY	16
D1491323	(-NA,-EU,-AA,-TWN):DECAL:TONE R BOTTLE:M	ACCESSORY	17
D1491324	(-NA,-EU,-AA,-TWN):DECAL:TONE R BOTTLE:Y	ACCESSORY	18
D1491351	DRIVE UNIT:REGISTRATION:ASS'Y	U014_S002	21
D1491387	GROUND PLATE:DRIVE UNIT:ENGINE	U014	22
D1491394	GROUND PLATE:DRIVE UNIT:FUSING/PAPER EXIT UNIT	U014	23
D1491396	HOLDER:TORQUE LIMITER MECHANICAL CLUTCH:PRESSURE RELEASE	U014_S004	24
D1491397	TORQUE LIMITER MECHANICAL CLUTCH:49MMN:DIA14	U014_S004	25
D1491425	LCD:TFT:WVGA-9:LED:CMI	U002	11
D1491428	TOUCH PANEL:WVGA-9:MV	U002_S001	12
		U002_S002	12
		U002_S003	12
		U002_S004	12
		U002_S005	12
		U002_S006	12
		U002_S007	12
		U002_S008	12
		U002_S009	12
D1491430	CABLE:FFC:OP-L	U002_S001	59
		U002_S002	59
		U002_S003	59
		U002_S004	59
		U002_S005	59
		U002_S006	59
		U002_S007	59

Number	Part Name	Group	ID
		U002_S008	59
		U002_S009	59
D1491431	CABLE:FFC:OP-R	U002_S001	60
		U002_S002	60
		U002_S003	60
		U002_S004	60
		U002_S005	60
		U002_S006	60
		U002_S007	60
		U002_S008	60
		U002_S009	60
D1491469	PCB:OP-L:USB:ASS'Y	U002_S001	58
		U002_S002	58
		U002_S003	58
		U002_S004	58
		U002_S005	58
		U002_S006	58
		U002_S007	58
		U002_S008	58
		U002_S009	58
D1491504	KEYTOP:START	U002_S001	15
		U002_S002	15
		U002_S003	15
		U002_S004	15
		U002_S005	15
		U002_S006	15
		U002_S007	15
		U002_S008	15
		U002_S009	15
D1491505	KEYTOP:STOP	U002_S001	16
		U002_S002	16
		U002_S003	16
		U002_S004	16
		U002_S005	16
		U002_S006	16
		U002_S007	16
		U002_S008	16
		U002_S009	16

## Exclusive Parts

Number	Part Name	Group	ID
D1491508	KEYTOP:RESET SWITCH	U002_S001	17
		U002_S002	17
		U002_S003	17
		U002_S004	17
		U002_S005	17
		U002_S006	17
		U002_S007	17
		U002_S008	17
		U002_S009	17
D1491510	KEYTOP:LEFT	U002_S001	18
		U002_S002	18
		U002_S003	18
		U002_S004	18
		U002_S005	18
		U002_S006	18
		U002_S007	18
		U002_S008	18
		U002_S009	18
D1491511	LENS:FRONT	U002_S001	19
		U002_S002	19
		U002_S003	19
		U002_S004	19
		U002_S005	19
		U002_S006	19
		U002_S007	19
		U002_S008	19
		U002_S009	19
D1491512	COVER:REAR:LARGE	U002_S001	20
		U002_S002	20
		U002_S003	20
		U002_S004	20
		U002_S005	20
		U002_S006	20
		U002_S007	20
		U002_S008	20
		U002_S009	20
D1491513	COVER:REAR:SMALL:LEFT	U002_S001	21
		U002_S002	21

Number	Part Name	Group	ID		
		U002_S003	21		
		U002_S004	21		
		U002_S005	21		
		U002_S006	21		
		U002_S007	21		
		U002_S008	21		
		U002_S009	21		
		D1491514	COVER:REAR:SMALL:MIDDLE	U002_S001	22
				U002_S002	22
U002_S003	22				
U002_S004	22				
U002_S005	22				
U002_S006	22				
U002_S007	22				
U002_S008	22				
U002_S009	22				
D1491515	COVER:REAR:SMALL:RIGHT	U002_S001	23		
		U002_S002	23		
		U002_S003	23		
		U002_S004	23		
		U002_S005	23		
		U002_S006	23		
		U002_S007	23		
		U002_S008	23		
		U002_S009	23		
D1491518	BRACKET:LCDC:CM	U002	53		
D1491530	SPACER:LCD:A	U002_S001	24		
		U002_S002	24		
		U002_S003	24		
		U002_S004	24		
		U002_S005	24		
		U002_S006	24		
		U002_S007	24		
		U002_S008	24		
		U002_S009	24		
D1491531	SPACER:LCD:B	U002_S001	25		
		U002_S002	25		
		U002_S003	25		

## Exclusive Parts

Number	Part Name	Group	ID		
		U002_S004	25		
		U002_S005	25		
		U002_S006	25		
		U002_S007	25		
		U002_S008	25		
		U002_S009	25		
		D1491532	HINGE:ASS'Y	U002_S001	26
				U002_S002	26
				U002_S003	26
		U002_S004	26		
		U002_S005	26		
		U002_S006	26		
		U002_S007	26		
		U002_S008	26		
		U002_S009	26		
D1491533	(-NA,-AA):COVER:UPPER:SH	U002_S001	27		
		U002_S002	27		
		U002_S006	27		
D1491534	(-NA,-AA):COVER:UPPER:CM	U002_S001	54		
		U002_S002	54		
		U002_S006	54		
D1491538	(-EU,-CHN,-TWN):KEYTOP:10KEY	U002_S003	28		
		U002_S004	28		
		U002_S005	28		
		U002_S007	28		
		U002_S008	28		
		U002_S009	28		
D1491539	(-NA,-AA):KEYTOP:10KEY	U002_S001	29		
		U002_S002	29		
		U002_S006	29		
D1491553	SHEET:LOGO	ACCESSORY	19		
D1491555	COVER:UPPER:SH	U002_S004	30		
		U002_S007	30		
D1491556	(-CHN):COVER:UPPER:CM	U002_S004	55		
		U002_S007	55		
D1491557	(-TWN):COVER:UPPER:SH	U002_S005	31		
		U002_S009	31		
D1491558	(-TWN):COVER:UPPER:CM	U002_S005	56		

Number	Part Name	Group	ID
		U002_S009	56
D1491575	(-NA,-AA):SHEET:APPLICATION:M ULTI-LANGUAGE	ACCESSORY	20
D1491576	(-EU):SHEET:APPLICATION:MULTI- LANGUAGE	ACCESSORY	21
D1491577	(-CHN):SHEET:APPLICATION:MUL TI-LANGUAGE	ACCESSORY	22
D1491578	(-TWN):SHEET:APPLICATION:MUL TI-LANGUAGE	ACCESSORY	23
D1491588	KEYTOP:POWER SOURCE:BA	U002_S001	32
		U002_S002	32
		U002_S003	32
		U002_S004	32
		U002_S005	32
		U002_S006	32
		U002_S007	32
		U002_S008	32
		U002_S009	32
D1491589	(-EU):COVER:UPPER:SH	U002_S003	33
		U002_S008	33
D1491592	(-EU):COVER:UPPER:CM	U002_S003	34
		U002_S008	34
D1491595	BRACKET:OPERATION SUB-UNIT	U002	35
D1491598	COVER:BRACKET:OPERATION SU B-UNIT:LOWER	U002	36
D1491599	COVER:BRACKET:OPERATION SU B-UNIT:UPPER	U002	37
D1491693	GUIDE:FFC	U003	29
D1491694	PLATE SEAL:APS:HARNESS	U003	30
D1491703	DC STEPPER MOTOR	U003_S001	31
D1491705	BRACKET:DC STEPPER MOTOR	U003	32
D1491706	SYNCHRONOUS BELT:138ST1.5-4. 0	U003	33
D1491709	TENSION SPRING:TENSION:11.3N: 30MM	U003	34
D1491710	TIMING PULLEY:62	U003	35
D1491711	SHAFT:SCANNER:DRIVE	U003	36
D1491714	DRIVE WERE:DIA1	U003	37

## Exclusive Parts

Number	Part Name	Group	ID
D1491715	PULLEY:DRIVE WERE:FRONT	U003	38
D1491717	PULLEY:DRIVE WERE:REAR	U003	39
D1491718	BRACKET:TENSION:REAR	U003	40
D1491719	BRACKET:TENSION:FRONT	U003	41
D1491726	CLAMP:DRIVE WERE	U003	42
D1491728	GUIDE:HARNESS:LED-B	U003	43
D1491730	CARRIAGE:NO.1:ASS'Y	U003_S002	44
D1491731	REFLECTOR:SCANNER	U003_S002	45
D1491742	CARRIAGE:NO.2:SUB-ASS'Y	U003	46
D1491754	GUIDE:FFC:CARRIAGE:NO.2	U003	47
D1491755	COVER:FFC:CARRIAGE:NO.2	U003	48
D1491756	MIRROR:NO.2:CONCAVE:ASS'Y	U003	49
D1491757	MIRROR:NO.3:CONVEX:ASS'Y	U003	50
D1491771	LENS:HOLDER:ASS'Y	U003	51
D1491780	INNER COVER	U003	52
D1491792	(-EU,-AA,-CHN,-TWN):SCALE:LEFT:ASS'Y	U003	53
D1491793	(-NA):SCALE:LEFT:ASS'Y	U003	54
D1491798	SEAL:SHEET THROUGH:DOCUMENT FEEDER	U003	55
D1491799	SCALE:REAR:PRINTING	U003	56
D1491800	COVER:SHEET THROUGH:DOCUMENT FEEDER	U003	57
D1491801	BRACKET:SCALE:LEFT	U003	58
D1491804	HOLDER:EXPOSURE GLASS:SCANNER	U003	59
D1491805	HOLDER:EXPOSURE GLASS	U003	60
D1491812	BRACKET:SIO	U003	61
D1491813	BRACKET:DOCUMENT FEEDER:LEFT	U003	62
D1491814	BRACKET:DOCUMENT FEEDER:RIGHT	U003	63
D1491815	COVER:MOTOR	U003	64
D1491816	DOCUMENT FEEDER:CABLE:BRACKET	U003	65
D1492557	GUIDE:REGISTRATION:ENTRANCE:REAR	U013_S001	60
D1492558	GUIDE:REGISTRATION:ENTRANCE	U013_S001	61

Number	Part Name	Group	ID
	E:FRONT		
D1492561	SHAFT:REGISTRATION ROLLER:DRIVEN	U004	43
D1492562	COLLAR:REGISTRATION ROLLER	U004	44
D1492566	CASE:REMOVE PAPER DUST:ASS'Y	U004	45
D1492576	GUIDE PLATE:REGISTRATION:FRONT LEFT	U004	46
D1492582	GUIDE PLATE:REGISTRATION:FRONT RIGHT	U010_S001	16
D1492585	GUIDE:REGISTRATION:REAR RIGHT	U010_S001	17
D1492586	GUIDE:REGISTRATION:FRONT RIGHT	U010_S001	18
D1492588	GUIDE:REGISTRATION:REAR RIGHT:AUXILIARY	U010_S001	19
D1492589	GUIDE:REGISTRATION:FRONT RIGHT:AUXILIARY	U010_S001	20
D1492612	ROLLER:GRIP:DRIVEN	U013_S001_S003	62
D1492613	SHAFT:GRIP:DRIVEN	U013_S001_S003	63
D1492614	TENSION SPRING:GRIP:PRESSURE	U013_S001_S003	64
D1492619	SHAFT:SEPARATOR:DRIVE:ASS'Y	U013_S001_S003	66
D1492625	DC SOLENOID:PICKUP:ASS'Y	U013_S001_S003	67
D1492633	SHAFT:FEED:MANUAL FEED	U013_S001_S003	68
D1492634	ARM:PICKUP:MANUAL FEED	U013_S001_S003	69
D1492635	TRANSPORT ROLLER:MANUAL FEED	U013_S001_S003	70
D1492637	PAPER STOPPER:MANUAL FEED	U013_S001_S003	71
D1492638	LINK:PAPER STOPPER:MANUAL FEED	U013_S001_S003	72
D1492639	SHAFT:PAPER STOPPER	U013_S001_S003	73
D1492641	COVER:PAPER STOPPER:MANUAL FEED	U013_S001_S003	74
D1492642	SHAFT:LINK:PAPER STOPPER	U013_S001_S003	75
D1492644	TORSION SPRING:LINK:PAPER STOPPER	U013_S001_S003	76
D1492645	COIL SPRING:RELEASE:PICKUP:MANUAL FEED	U013_S001_S003	77



## Exclusive Parts

Number	Part Name	Group	ID
	ANUAL FEED		
D1492652	GROUND PLATE:SHAFT:FEED	U013_S001_S003	79
D1492655	FEELER:PAPER END SENSOR	U013_S001_S003	80
D1492656	TORSION SPRING:PAPER END SENSOR	U013_S001_S003	81
D1492658	COVER:PAPER FEED ROLLER	U013_S001_S003	82
D1492666	GEAR:SIDE FENCE:MANUAL FEED TABLE	U013_S001_S004	84
D1492667	RACK:MANUAL FEED	U013_S001_S004	85
D1492678	SHAFT:FLAT CONVEYER BELT:DRIVEN	U013_S001_S001 U013_S001_S002	86 86
D1492686	WIRE:MANUAL FEED TABLE:TC075	U013_S001_S004	87
D1492687	PULLEY:WIRE:MANUAL FEED TABLE	U013_S001_S004	88
D1492688	TENSION SPRING:WIRE	U013_S001_S004	89
D1492692	ARM:MANUAL FEED:FRONT UPPER	U013_S001_S004	90
D1492693	STOPPER:MANUAL FEED TABLE	U013_S001_S004	91
D1492694	COMPRESSION SPRING:STOPPER:MANUAL FEED TABLE	U013_S001_S004	92
D1492695	ARM:MANUAL FEED:REAR UPPER	U013_S001_S004	93
D1492698	EXTENSION TRAY:NO.1	U013_S001_S004	94
D1492699	EXTENSION TRAY:NO.2	U013_S001_S004	95
D1492712	SHEET:GUIDE PLATE:SWIVEL	U004_S003	47
D1492713	GUIDE PLATE:SWIVEL:NO.1	U004_S003	48
D1492721	GUIDE PLATE:SWIVEL:NO.2	U004	49
D1492739	LEVER:PRESSURE RELEASE	U004_S004 U004_S005	50 50
D1492741	GUIDE PLATE:VERTICAL TRANSPORT:PAPER FEED UNIT:NO.1	U004_S004	51
D1492742	GUIDE PLATE:VERTICAL TRANSPORT:PAPER FEED UNIT:NO.2	U004_S005	52
D1492772	ARM:PICKUP	U004_S004 U004_S005	53 53
D1492773	PULLEY:PICKUP:MECHANICAL ROLLER CLUTCH	U004_S004 U004_S005	54 54
D1492774	PULLEY:IDLER:PICKUP	U004_S004	55

Number	Part Name	Group	ID
		U004_S005	55
D1492775	SHAFT:FEED:ASS'Y	U004_S004 U004_S005	56 56
D1492777	COIL SPRING:PRESSURE:PICKUP	U004_S004 U004_S005	57 57
D1492778	FEELER:PAPER END	U004_S004 U004_S005	58 58
D1492781	GROUND PLATE:PAPER FEED UNIT	U004_S004 U004_S005	59 59
D1492787	BRACKET:SUPPORT:COVER	U004	60
D1492788	INNER COVER:HARNESS:PAPER FEED UNIT	U004	61
D1492791	GUIDE:FEED	U004_S004 U004_S005	62 62
D1492812	ROLLER:PAPER TRAY:DIA19	U004_S006 U004_S007 U004_S008 U004_S009 U004_S010 U004_S011 U004_S012 U004_S013 U004_S014 U004_S015	63 63 63 63 63 63 63 63 63 63
D1492814	COIL SPRING:EARTH	U004_S006 U004_S007 U004_S008 U004_S009 U004_S010 U004_S011 U004_S012 U004_S013 U004_S014 U004_S015	64 64 64 64 64 64 64 64 64 64
D1492816	SHAFT:RISE:ASS'Y	U004_S006 U004_S007 U004_S008 U004_S009	65 65 65 65

## Exclusive Parts

Number	Part Name	Group	ID
		U004_S010	65
		U004_S011	65
		U004_S012	65
		U004_S013	65
		U004_S014	65
		U004_S015	65
D1492818	LEVER:RISE	U004_S006	66
		U004_S007	66
		U004_S008	66
		U004_S009	66
		U004_S010	66
		U004_S011	66
		U004_S012	66
		U004_S013	66
		U004_S014	66
		U004_S015	66
D1492824	LEVER:STOPPER:FRONT	U004_S006_S001	67
		U004_S007_S001	67
		U004_S008_S001	67
		U004_S009_S001	67
		U004_S010_S001	67
		U004_S011_S001	67
		U004_S012_S001	67
		U004_S013_S001	67
		U004_S014_S001	67
		U004_S015_S001	67
D1492826	COMPRESSION SPRING:SIDE FENCE:PLATE:FRONT	U004_S006_S001	68
		U004_S007_S001	68
		U004_S008_S001	68
		U004_S009_S001	68
		U004_S010_S001	68
		U004_S011_S001	68
		U004_S012_S001	68
		U004_S013_S001	68
		U004_S014_S001	68
		U004_S015_S001	68
D1492827	COMPRESSION SPRING:SIDE FENCE:POSITIONING	U004_S006_S001	69
		U004_S007_S001	69

Number	Part Name	Group	ID
		U004_S008_S001	69
		U004_S009_S001	69
		U004_S010_S001	69
		U004_S011_S001	69
		U004_S012_S001	69
		U004_S013_S001	69
		U004_S014_S001	69
		U004_S015_S001	69
D1492828	SIDE FENCE:FRONT:NO.1:ASS'Y	U004_S006_S001	70
D1492834	GUIDE:FEELER:PAPER END	U004_S006_S002	71
		U004_S007_S002	71
		U004_S008_S002	71
		U004_S009_S002	71
		U004_S010_S002	71
		U004_S011_S002	71
		U004_S012_S002	71
		U004_S013_S002	71
		U004_S014_S002	71
		U004_S015_S002	71
D1492835	RACK:SIDE FENCE	U004_S006	72
		U004_S007	72
		U004_S008	72
		U004_S009	72
		U004_S010	72
		U004_S011	72
		U004_S012	72
		U004_S013	72
		U004_S014	72
		U004_S015	72
D1492836	GEAR:Z20	U004_S006	73
		U004_S007	73
		U004_S008	73
		U004_S009	73
		U004_S010	73
		U004_S011	73
		U004_S012	73
		U004_S013	73
		U004_S014	73

Exclusive Parts

Number	Part Name	Group	ID
		U004_S015	73
D1492837	DECAL:SIDE FENCE:AUXILIARY	U004_S007	74
		U004_S008	74
		U004_S009	74
		U004_S010	74
		U004_S011	74
		U004_S012	74
		U004_S013	74
		U004_S014	74
		U004_S015	74
		D1492838	SIDE FENCE:REAR:NO.1:ASS'Y
D1492840	END FENCE:PAPER TRAY:ASS'Y	U004_S006_S003	76
		U004_S007_S003	76
		U004_S008_S003	76
		U004_S009_S003	76
		U004_S010_S003	76
		U004_S011_S003	76
		U004_S012_S003	76
		U004_S013_S003	76
		U004_S014_S003	76
		U004_S015_S003	76
D1492842	LEVER:END FENCE	U004_S006_S003	77
		U004_S007_S003	77
		U004_S008_S003	77
		U004_S009_S003	77
		U004_S010_S003	77
		U004_S011_S003	77
		U004_S012_S003	77
		U004_S013_S003	77
		U004_S014_S003	77
		U004_S015_S003	77
D1492843	CLICK:END FENCE	U004_S006_S003	78
		U004_S007_S003	78
		U004_S008_S003	78
		U004_S009_S003	78
		U004_S010_S003	78
		U004_S011_S003	78
		U004_S012_S003	78

Number	Part Name	Group	ID
		U004_S013_S003	78
		U004_S014_S003	78
		U004_S015_S003	78
D1492845	COMPRESSION SPRING:END FENCE:LEVER:5N	U004_S006_S003	79
		U004_S007_S003	79
		U004_S008_S003	79
		U004_S009_S003	79
		U004_S010_S003	79
		U004_S011_S003	79
		U004_S012_S003	79
		U004_S013_S003	79
		U004_S014_S003	79
		U004_S015_S003	79
D1492846	DECAL:SIZE INDICATION:END FENCE:NO.1:FRONT	U004_S006	80
D1492847	DECAL:SIZE INDICATION:END FENCE:NO.1:REAR	U004_S006	81
D1492848	DECAL:SIZE INDICATION:END FENCE:NO.2:FRONT	U004_S007	82
		U004_S008	82
		U004_S009	82
		U004_S010	82
		U004_S011	82
		U004_S012	82
D1492849	DECAL:SIZE INDICATION:END FENCE:NO.2:REAR	U004_S013	82
		U004_S014	82
		U004_S015	82
		U004_S007	83
		U004_S008	83
		U004_S009	83
		U004_S010	83
D1492850	TRAY BOTTOM PLATE:ASS'Y	U004_S011	83
		U004_S012	83
		U004_S013	83
		U004_S014	83
		U004_S015	83
D1492852	BRACKET:AUXILIARY:SIDE FENCE	U004_S006_S004	84
D1492852	BRACKET:AUXILIARY:SIDE FENCE	U004_S007	85
		U004_S008	85

## Exclusive Parts

Number	Part Name	Group	ID		
		U004_S009	85		
		U004_S010	85		
		U004_S011	85		
		U004_S012	85		
		U004_S013	85		
		U004_S014	85		
		U004_S015	85		
D1492854	SCREW:TYPE 2-KAI:M3X10	U004_S007	86		
		U004_S008	86		
		U004_S009	86		
		U004_S010	86		
		U004_S011	86		
		U004_S012	86		
		U004_S013	86		
D1492856	GRIP:PAPER TRAY	U004_S014	86		
		U004_S015	86		
		U004_S006	87		
		U004_S007	87		
		U004_S008	87		
		U004_S009	87		
		U004_S010	87		
D1492857	LEVER:RELEASE:INNER:NO.1	U004_S011	87		
		U004_S012	87		
		U004_S013	87		
		U004_S014	87		
		U004_S015	87		
		D1492859	SHAFT:RELEASE:PAPER TRAY:NO.1	U004_S006	88
		D1492861	HOLDER:GRIP:PAPER TRAY	U004_S006	89
		U004_S007	90		
		U004_S008	90		
		U004_S009	90		
		U004_S010	90		
		U004_S011	90		
		U004_S012	90		
		U004_S013	90		
		U004_S014	90		

Number	Part Name	Group	ID		
D1492862	SHAFT:RELEASE:PAPER TRAY:NO.2	U004_S015	90		
		U004_S007	91		
		U004_S008	91		
		U004_S009	91		
		U004_S010	91		
		U004_S011	91		
		U004_S012	91		
		U004_S013	91		
		U004_S014	91		
		U004_S015	91		
D1492863	DECAL:PAPER SET DIRECTION:TRAY:NO.1	U004_S006	92		
D1492864	DECAL:PAPER SET DIRECTION:TRAY:NO.2	U004_S007	93		
		U004_S008	93		
		U004_S009	93		
		U004_S010	93		
		U004_S011	93		
		U004_S012	93		
D1492865	COVER:PAPER TRAY:NO.1	U004_S013	93		
		U004_S014	93		
		U004_S015	93		
		U004_S006	94		
		D1492869	DECAL:SIZE INDICATION:SIDE FEENCE:NO.2	U004_S007	96
				U004_S008	96
U004_S009	96				
U004_S010	96				
U004_S011	96				
U004_S012	96				
U004_S013	96				
D1492873	TRAY BOTTOM PLATE:NO.2:ASS'Y	U004_S014	96		
		U004_S015	96		
		U004_S007_S004	97		
		U004_S008_S004	97		
		U004_S009_S004	97		
		U004_S010_S004	97		
		U004_S011_S004	97		
		U004_S012_S004	97		
		U004_S013_S004	97		

## Exclusive Parts

Number	Part Name	Group	ID
		U004_S014_S004	97
		U004_S015_S004	97
D1492878	SIDE FENCE:FRONT:ASS'Y	U004_S007_S001	98
		U004_S008_S001	98
		U004_S009_S001	98
		U004_S010_S001	98
		U004_S011_S001	98
		U004_S012_S001	98
		U004_S013_S001	98
		U004_S014_S001	98
		U004_S015_S001	98
D1492885	SIDE FENCE:REAR:ASS'Y	U004_S007_S002	99
		U004_S008_S002	99
		U004_S009_S002	99
		U004_S010_S002	99
		U004_S011_S002	99
		U004_S012_S002	99
		U004_S013_S002	99
		U004_S014_S002	99
		U004_S015_S002	99
D1492887	COVER:TRAY:REAR LEFT:NO.1	U004	100
D1492889	COVER:TRAY:REAR LEFT:NO.2	U004	101
D1492903	SUPPORTER:RIGHT:NO.2:ASS'Y	U004_S002	102
D1492905	SUPPORTER:RIGHT:NO.1:ASS'Y	U004_S001	103
D1492918	SUPPORTER:LEFT UPPER:NO.1	U004	104
D1492923	ROLLER:SUPPORTER:PAPER TRAY	U004_S002	105
D1492924	STOPPER:PAPER TRAY	U004_S001	106
		U004_S002	106
D1492925	SUPPORTER:LEFT:NO.2	U004	107
D1492928	ROLLER:SUPPORTER:PAPER TRAY:LEFT	U004	108
D1492930	SUPPORTER:LEFT LOWER:NO.1	U004	109
D1492952	DECAL:SIDE FENCE:PAPER VOLUME	U004_S006_S002	110
		U004_S007_S002	110
		U004_S008_S002	110
		U004_S009_S002	110
		U004_S010_S002	110

Number	Part Name	Group	ID
		U004_S011_S002	110
		U004_S012_S002	110
		U004_S013_S002	110
		U004_S014_S002	110
		U004_S015_S002	110
D1492956	ROLLER:SUPPORTER:PAPER TRAY	U004_S001	111
D1492958	ROLLER:SUPPORTER:PAPER TRAY:LEFT	U004	112
D1492990	PLAIN SHAFT BEARING:DRIVE:REGISTRATION ROLLER	U010_S001	21
D1492991	PLAIN SHAFT BEARING:INNER:DRIVE:REGISTRATION ROLLER	U010_S001	22
D1493210	DC MOTOR:TONER BOTTLE:ASS'Y:5.28W:BRUSH	U007_S001	17
		U007_S002	17
		U007_S003	17
		U007_S004	17
D1493240	TONER HOPPER:TONER SUPPLY: BK:ASS'Y	U007_S005	18
D1493270	TONER HOPPER:TONER SUPPLY: C:ASS'Y	U007_S006	19
D1493280	TONER HOPPER:TONER SUPPLY: M:ASS'Y	U007_S007	20
D1493307	BASE:TONER SUPPLY	U007	21
D1493310	TONER HOPPER:TONER SUPPLY: Y:ASS'Y	U007_S008	22
D1493321	DUCT:VERTICAL TRANSPORT:TONER SUPPLY	U007	23
D1493322	SHUTTER:DUCT:TONER SUPPLY	U007	24
D1493330	SEAL:CONNECTION:CARTRIDGE: TONER SUPPLY	U007	25
D1493331	COVER:GEAR:TONER SUPPLY SUB-UNIT	U007	26
D1493336	COVER:GEAR:TONER SUPPLY SUB-UNIT:C	U007	27
D1493350	DC STEPPER MOTOR:TONER SUPPLY	U007_S005	28
		U007_S006	28
		U007_S008	28

## Exclusive Parts

Number	Part Name	Group	ID
D1494126	BRACKET:THERMISTOR:PRESSURE ROLLER	U011_S001	47
		U011_S002	47
		U011_S003	47
		U011_S004	47
		U011_S005	47
D1494127	BRACKET:THERMISTOR:PRESSURE ROLLER:FRONT	U011_S001	48
		U011_S002	48
		U011_S003	48
		U011_S004	48
		U011_S005	48
D1494202	ENCODER:ON-OFF:PRESSURE ROLLER	U011_S001	49
		U011_S002	49
		U011_S003	49
		U011_S004	49
		U011_S005	49
D1494205	BRAKE:CAM	U011_S001	50
		U011_S002	50
		U011_S003	50
		U011_S004	50
		U011_S005	50
D1494207	PLATE:CAM	U011_S001	51
		U011_S002	51
		U011_S003	51
		U011_S004	51
		U011_S005	51
D1494208	CAM:ON-OFF:PRESSURE ROLLER	U011_S001	52
		U011_S002	52
		U011_S003	52
		U011_S004	52
		U011_S005	52
D1494209	SHAFT:ON-OFF:PRESSURE ROLLER	U011_S001	53
		U011_S002	53
		U011_S003	53
		U011_S004	53
		U011_S005	53
D1494214	GUIDE PLATE:FUSING EXIT:RIGHT	U011_S001	54
		U011_S002	54
		U011_S003	54

Number	Part Name	Group	ID
D1494218	GUIDE:FUSING EXIT:PFA	U011_S004	54
		U011_S005	54
		U011_S001	55
		U011_S002	55
		U011_S003	55
D1494221	STRIPPER PLATE:ASS'Y	U011_S004	55
		U011_S005	55
		U011_S001	56
		U011_S002	56
		U011_S003	56
D1494229	STRIPPER PLATE:PRESSURE ROLLER	U011_S004	56
		U011_S005	56
		U011_S001	57
		U011_S002	57
		U011_S003	57
D1494234	GUIDE PLATE:FUSING EXIT:LEFT	U011_S004	57
		U011_S005	57
		U011_S001	58
		U011_S002	58
		U011_S003	58
D1494235	STEPPED SCREW:M3	U011_S004	58
		U011_S005	58
		U011_S001	45
		U011_S002	45
		U011_S003	45
D1494245	SHEET:C:GUIDE PLATE:FUSING EXIT	U011_S004	45
		U011_S005	45
		U011_S001	59
		U011_S002	59
		U011_S003	59
D1494246	DECAL:GUIDE PLATE:FUSING EXIT	U011_S004	59
		U011_S005	59
		U011_S001	60
		U011_S002	60
		U011_S003	60
D1494252	FUSING ENTRANCE GUIDE PLATE	U011_S004	60
		U011_S005	60
		U011_S001	61

## Exclusive Parts

Number	Part Name	Group	ID
		U011_S002	61
		U011_S003	61
		U011_S004	61
		U011_S005	61
D1494261	FUSING COVER:UPPER:ASS'Y	U011_S001_S001	62
		U011_S002_S001	62
		U011_S003_S001	62
		U011_S004_S001	62
		U011_S005_S001	62
D1494276	FUSING COVER:FRONT	U011_S001	63
		U011_S002	63
		U011_S003	63
		U011_S004	63
		U011_S005	63
D1494278	FUSING COVER:REAR	U011_S001	64
		U011_S002	64
		U011_S003	64
		U011_S004	64
		U011_S005	64
D1494319	GUIDE:HARNES:DRAWER	U011_S001	65
		U011_S002	65
		U011_S003	65
		U011_S004	65
		U011_S005	65
D1494332	HOUSING:THERMOSTAT	U011_S001	66
		U011_S002	66
		U011_S003	66
		U011_S004	66
		U011_S005	66
D1494334	COVER:HOUSING:THERMOSTAT	U011_S001	67
		U011_S002	67
		U011_S003	67
		U011_S004	67
		U011_S005	67
D1494335	ELECTRODE PLATE:CONNECTING:THERMOSTAT	U011_S001	68
		U011_S002	68
		U011_S003	68
		U011_S004	68

Number	Part Name	Group	ID
D1494337	TERMINAL:THERMOSTAT	U011_S005	68
		U011_S001	69
		U011_S002	69
		U011_S003	69
		U011_S004	69
D1494342	HOUSING:NON-CONTACT TYPE THERMISTOR	U011_S005	69
		U011_S001	70
		U011_S002	70
		U011_S003	70
		U011_S004	70
D1494346	GUIDE:HARNES:HEATER	U011_S005	70
		U011_S001	71
		U011_S002	71
		U011_S003	71
		U011_S004	71
D1494354	BRACKET:DRAWER:MAIN	U011_S005	71
		U011	72
		U011	86
		U011	73
		U011	74
D1494354	BRACKET:DRAWER:MAIN	U011	72
D1494363	BRACKET:THERMOPILE	U011	86
D1494382	DC STEPPER MOTOR:ASS'Y	U011	73
D1494383	BRACKET:DC STEPPER MOTOR	U011	74
D1494390	(-NA,-AA):DECAL:CAUTION:INKJET	ACCESSORY	24
D1494396	BRACKET:SENSOR:LIGHT SHIELDING PLATE	U011	88
D1494421	GEAR:EXIT ROLLER	U012_S002	22
D1494422	GEAR:REVERSE ROLLER	U012_S002	23
D1494423	SYNCHRONOUS BELT:40S2M122	U012_S002_S001	24
D1494424	DC STEPPER MOTOR:REVERSE:ASS'Y	U012_S002_S001	25
D1494425	DC STEPPER MOTOR:REVERSE:SUB-ASS'Y	U012_S002_S001	26
D1494426	BRACKET:DC STEPPER MOTOR:REVERSE	U012_S002_S001	27
D1494427	STUD:PULLEY:BRACKET:DC STEPPER MOTOR	U012_S002_S001	28
D1494428	GROUND PLATE:PAPER EXIT UNIT	U012_S002_S001	29
D1494429	PULLEY:GEAR:REVERSE	U012_S002_S001	30
D1494431	DC SOLENOID:ASS'Y	U012_S002	31

## Exclusive Parts

Number	Part Name	Group	ID
D1494434	TENSION SPRING:LEVER:GATE P AWL	U012_S002	32
D1494446	SPRING PLATE:ROLLER:DRIVEN	U012_S002	33
D1494451	GUIDE PLATE:EXIT:LOWER	U012_S002	34
D1494456	SPRING PLATE:ROLLER:DRIVEN:E XIT	U012_S002	35
D1494457	ARM:ROLLER:DRIVEN:EXIT	U012_S002	36
D1494459	SHAFT:DRIVEN:EXIT ROLLER	U012_S002	38
D1494461	GUIDE PLATE:REVERSE:UPPER	U012_S002	39
D1494463	GROUND WIRE:SENSOR:REVERS E	U012_S002	40
D1494466	GUIDE PLATE:REVERSE:LOWER	U012_S002	41
D1494468	SHAFT:DRIVEN:REVERSE ROLLE R	U012_S002	42
D1494469	SPRING PLATE:ROLLER:DRIVEN: REVERSE ROLLER	U012_S002	43
D1494471	SHAFT:DRIVEN:REVERSE ROLLE R:OUTER	U012_S002	44
D1494472	END FENCE:TRAY:EXIT	ACCESSORY	25
D1494476	EXIT ROLLER	U012_S002	45
D1494477	REVERSE ROLLER	U012_S002	46
D1494481	GATE PAWL:EXIT	U012_S002	47
D1494483	LEVER:GATE PAWL	U012_S002	48
D1494484	TORSION SPRING:LEVER:GATE P AWL	U012_S002	49
D1494491	INNER COVER:EXIT	U012	50
D1494492	TRAY:REVERSE	U001	49
D1494493	COMPRESSION SPRING:BASE:TR AY:EXIT	U012_S001	51
D1494494	BASE:TRAY:EXIT	U012_S001	52
D1494495	TRAY:EXIT:ASS'Y	U012_S001	53
D1494498	TRAY:EXIT	U012_S001	54
D1494627	COVER:DUPLEX	U013_S001	96
D1494631	SIDE PLATE:REAR:DUPLEX:PEEN	U013_S001	191
D1494638	GUIDE:WIRE	U013_S001	97
D1494639	STAY:CONTACT POINT:DUPLEX	U013_S001	190
D1494642	TRANSPORT ROLLER:DUPLEX:1	U013_S001	98
D1494643	TRANSPORT ROLLER:ENTRANCE	U013_S001	99

Number	Part Name	Group	ID
D1494646	SYNCHRONOUS BELT:30S2M262	U013_S001	101
D1494647	SYNCHRONOUS BELT:30S2M212	U013_S001	102
D1494648	BRACKET:SWIVEL	U013_S001	103
D1494652	GEAR:PULLEY:SWIVEL	U013_S001	104
D1494653	TENSION SPRING:SWIVEL	U013_S001	105
D1494655	GRIP:DUPLEX UNIT	U013_S001	106
D1494656	HOOK:STOPPER:DUPLEX UNIT:FR ONT	U013_S001	107
D1494657	HOOK:STOPPER:DUPLEX UNIT:RE AR	U013_S001	108
D1494658	COIL SPRING:LEVER:DUPLEX	U013_S001	109
D1494660	GUIDE PLATE:UPPER:RIGHT:DUP LEX	U013_S001	110
D1494664	GROUND WIRE:ENTRANCE SENS OR:DUPLEX	U013_S001	111
D1494670	DRIVEN ROLLER:DIA16	U013_S001	112
D1494672	COMPRESSION SPRING:DRIVEN	U013_S001	113
D1494675	COVER:PUSH SWITCH	U013_S001	115
D1494679	GUIDE PLATE:UPPER	U013_S001	116
D1494684	GEAR:OUTPUT	U013_S001	118
D1494685	LINK:DUPLEX	U013_S001	119
D1494688	LINK:DUPLEX:MAIN	U013_S001	120
D1494689	BRACKET:LINK:DUPLEX	U013_S001	121
D1494690	TORSION SPRING:LINK	U013_S001	122
D1494691	TORSION SPRING:LINK:CONTACT POINT	U013_S001	123
D1494692	INNER COVER:REAR:DUPLEX	U013_S001	124
D1494693	INNER COVER:FRONT:DUPLEX	U013_S001	125
D1494695	LINK:FRONT	U013_S001	126
D1494699	COVER:SENSOR:EXIT	U013_S001	127
D1494710	GEAR:IDLER	U013_S001	131
D1494711	DECAL:SIDE FENCE:MANUAL FEE D	U013_S001_S004 _S002	132
D1494714	DECAL:SCALE:MANUAL FEED	U013_S001_S004	133
D1494715	DECAL:GRIP:Z	U013_S001	134
D1494717	PLATE:SIDE FENCE:FRONT	U013_S001_S004 _S001	136
D1494718	TORSION SPRING:SIDE FENCE:FR	U013_S001_S004	137



## Exclusive Parts

Number	Part Name	Group	ID
	ONT	_S001	
D1494720	PLATE:SIDE FENCE:REAR	U013_S001_S004_S002	138
D1494721	TORSION SPRING:SIDE FENCE:REAR	U013_S001_S004_S002	139
D1494722	BRACKET:FRONT	U013_S001_S003	140
D1494723	VIBRATING PLATE:SIDE FENCE:FRONT	U013_S001_S004_S001	141
D1494724	TORSION SPRING:VIBRATING PLATE:FRONT	U013_S001_S004_S001	142
D1494725	VIBRATING PLATE:SIDE FENCE:REAR	U013_S001_S004_S002	143
D1494726	TORSION SPRING:VIBRATING PLATE:REAR	U013_S001_S004_S002	144
D1494727	CAP:SIDE FENCE	U013_S001_S004_S001	145
		U013_S001_S004_S002	145
D1494728	SHEET:FEED:MANUAL FEED	U013_S001_S003	146
D1494731	COMPRESSION SPRING:RACK:MANUAL FEED	U013_S001_S004	147
D1494734	TORSION SPRING:PICKUP	U013_S001_S003	148
D1494735	SHOE:TORSION SPRING:PICKUP	U013_S001_S003	149
D1494736	DECAL:PAPER SET DIRECTION:MANUAL FEED:EXP	U013_S001_S004	150
D1494738	GROUND WIRE:BRACKET:DRIVEN ROLLER	U013_S001	152
D1494739	SHEET:PICKUP	U013_S001_S003	153
D1494741	ARM:LINK:PAPER STOPPER	U013_S001_S003	154
D1494748	FEELER:PAPER SIZE SENSOR:MANUAL FEED	U013_S001_S004	155
D1494749	COVER:PAPER END	U013_S001_S003	156
D1494750	BRACKET:MOTOR:DUPLEX	U013	157
D1494754	GEAR:OUTPUT:DUPLEX:ENTRANCE	U013	158
D1494755	BRACKET:HINGE:DUPLEX:FRONT	U013	159
D1494761	DRIVEN ROLLER:DIA16	U013_S001	160
D1494762	DRIVEN ROLLER:DIA18	U013_S001	161

Number	Part Name	Group	ID
D1494765	PULLEY:T26	U013_S001	162
D1494766	PULLEY:T26/T26	U013_S001	163
D1494767	GUIDE:TRANSPORT ROLLER	U013_S001	164
D1494768	SHEET:GUIDE PLATE:DRIVEN	U013_S001	165
D1494770	SHAFT:SEPARATOR:DRIVEN:ASS'Y	U013_S001_S003	166
D1494777	COMPRESSION SPRING:FLAT CONVEYER BELT:DRIVEN	U013_S001_S001	168
		U013_S001_S002	168
D1494778	SIDE FENCE:REAR:ASS'Y	U013_S001_S004_S002	169
D1494779	TRANSPORT ROLLER:EXIT	U013_S001	170
D1494786	STAY:REAR:ASS'Y	U013_S001_S004	171
D1494787	GUIDE:HARNESS:MANUAL FEED:CONNECTING	U013_S001	192
D1494815	GUIDE PLATE:SEPARATOR:ASS'Y	U013_S001_S003	65
D1494835	SIDE FENCE:FRONT:ASS'Y	U013_S001_S004_S001	135
D1494850	ARM:PUSH SWITCH	U013_S001	172
D1494851	DECAL:SIDE FENCE:GRIP:MANUAL FEED	U013_S001_S004_S001	187
D1494883	ARM:MANUAL FEED:FRONT LOWER	U013_S001_S004	173
D1494884	ARM:MANUAL FEED:REAR LOWER	U013_S001_S004	174
D1494899	SHEET:RACK:MANUAL FEED	U013_S001_S004	188
D1495174	(D237):(D176/D177-CHN):PCB:TCB	U007	29
		U007_S025	29
		U007_S026	29
		U007_S027	29
		U007_S028	29
		U007_S029	29
		U007_S030	29
		U007_S031	29
D1495686	(D237):(D176/D177-CHN):PCB:DCSW	U015	41
D1495703	BRACKET:MICRO SWITCH	U015	42
D1495711	BRACKET:ARM:SAFETY SWITCH:FRONT	U015	43

## Exclusive Parts

Number	Part Name	Group	ID
D1495713	ARM:SAFETY SWITCH:FRONT	U015	44
D1495714	SHAFT:ARM:SAFETY SWITCH	U015	45
D1495717	BASE:SAFETY SWITCH	U015	46
D1495718	TORSION SPRING:SAFETY SWITC H	U015	47
D1495726	LEVER:SAFETY SWITCH:RIGHT	U015	48
D1495761	(D237):(D176/D177-CHN)CASE:PO WER PACK:CB:ASS'Y	U015	49
D1495776	COVER:USB:SMALL	U015	50
D1495810	BRACKET:RACK:UPPER	U015	52
D1495824	COVER:CONNECTOR:HEATER:0.4 MM	U015	53
D1495840	BASE:DUCT:SUB-ASS'Y	U015	54
D1495883	KEYTOP:MAIN SWITCH	U001	50
D1495884	COMPRESSION SPRING:KEYTOP	U001	51
D1496030	CAM:ON-OFF:COLLAR	U008_S004	15
D1496036	CAM:ON-OFF:BK	U008_S004	16
D1496044	DENSITY SENSOR:ASS'Y	U008_S001	41
D1496163	TENSION SPRING:SHUTTER:BELT CLEANING	U008_S002 U008_S003	18 18
D1496172	BRACKET:BELT CLEANING:FRON T	U008	19
D1496173	BRACKET:BELT CLEANING:REAR	U008	20
D1496177	HOLDER:DISCHARGE USED TONE R:ASS'Y	U008_S003	21
D1496179	GEAR:IDLER:DISCHARGE USED T ONER	U008_S003	22
D1496190	GEAR:DISCHARGE USED TONER	U008_S003	23
D1496192	LEVER:DISCHARGE USED TONER	U008_S003	24
D1496194	SHAFT:LEVER:DISCHARGE USED TONER	U008_S003	25
D1496195	CAM:DISCHARGE USED TONER	U008_S003	26
D1496206	TRANSFER/SEPARATION UNIT:AS S'Y	U010_S001	49
D1496212	TRANSFER ROLLER:SECOND:ASS 'Y	U010_S001	23
D1496226	LEVER:TRANSFER/SEPARATION UNIT:FRONT	U010_S001_S001	24

Number	Part Name	Group	ID
D1496227	LEVER:SET:FRONT	U010_S001_S001	25
D1496228	TORSION SPRING:LEVER:SET:FR ONT	U010_S001_S001	26
D1496229	TENSION SPRING:LEVER:SET	U010_S001_S001	27
D1496231	LEVER:TRANSFER/SEPARATION UNIT:REAR	U010_S001_S001	28
D1496232	LEVER:SET:REAR	U010_S001_S001	29
D1496233	TORSION SPRING:LEVER:SET:RE AR	U010_S001_S001	30
D1496240	LEVER:PRESSURE:TRANSFER RO LLER:FRONT:DIA15.5	U010_S001_S001	31
D1496241	LEVER:PRESSURE:TRANSFER RO LLER:REAR:DIA15.5	U010_S001_S001	32
D1496242	COMPRESSION SPRING:PRESSU RE:TRANSFER ROLLER	U010_S001_S001	33
D1496243	RECEIVE PLATE:COMPRESSION S PRING:TRANSFER ROLLER	U010_S001_S001	34
D1496244	GROUND PLATE:SEPARATION	U010_S001_S001	35
D1496245	GROUND PLATE:TRANSFER/SEPA RATION UNIT	U010_S001_S001	36
D1496246	LINK:TRANSFER/SEPARATION UN IT	U010_S001_S001	37
D1496254	DECAL:GRIP:B:LOWER	U010_S001_S001	38
D1496255	DECAL:GRIP:B	U010_S001_S001	39
D1496256	GROUND PLATE:GUIDE:TRANSP ORT	U010_S001_S001	40
D1496257	GROUND PLATE:REGISTRATION ROLLER	U010_S001_S001	41
D1496290	GUIDE:SET:TRANSFER/SEPARATI ON UNIT:FRONT	U010	42
D1496291	GUIDE:SET:TRANSFER/SEPARATI ON UNIT:REAR	U010	43
D1496295	COVER:HARNESS:TRANSFER/SE PARATION UNIT	U010	44
D1496309	SHAFT:ON-OFF:COLLAR:MAIN	U008	27
D1496310	BRACKET:ON-OFF:COLLAR	U008	42
D1496311	GEAR:ON-OFF:COLLAR:OUTPUT	U008	28
D1496312	JOINT:ON-OFF:COLLAR	U008	29

## Exclusive Parts

Number	Part Name	Group	ID
D1496318	DC STEPPER MOTOR:ON-OFF	U007_S007	30
D1496320	TERMINAL:BIAS:INTERMEDIATE TRANSFER:MAIN	U008	30
D1496321	HOLDER:TERMINAL:INTERMEDIATE TRANSFER:MAIN	U008	31
D1496333	COVER:INTERMEDIATE TRANSFER	ACCESSORY	26
D1496336	TRANSFER ROLLER:ASS'Y	U008_S004	32
D1496345	CAM:SHUTTER:TM SENSOR	U008_S004	40
D1496370	TONER OUTLET UNIT:BELT CLEANING:ASS'Y	U008_S003	39
D1496400	COLLECTION BOTTLE:ASS'Y	U009_S001	15
D1496552	GEAR:IDLER:Z30	U009	16
D1496553	GEAR:IDLER:Z61	U009	17
D1496554	GEAR:PULLEY:IDLER:Z16	U009	18
D1496555	GEAR:IDLER:Z21	U009	19
D1496556	TENSION SPRING:BELT TENSIONER	U009	20
D1496557	SYNCHRONOUS BELT:40S3M564	U009	21
D1496561	PULLEY:USED TONER	U009	22
D1496562	BRACKET:TIGHTENER:USED TONER	U009	23
D1496571	BRACKET:PULLEY:IDLER:USED TONER	U009	24
D1496574	GEAR:PULLEY:IDLER:Z18	U009	25
D1496575	FLANGE:IDLER:USED TONER	U009	26
D1496581	SHAFT:DRIVE:USED TONER:RIGHT	U009	27
D1496582	GEAR:USED TONER:RIGHT	U009	28
D1496583	GEAR:USED TONER:INPUT	U009	29
D1496586	SHAFT:DRIVE:USED TONER:LEFT	U009	30
D1496587	GEAR:USED TONER:LEFT	U009	31
D1496592	RAIL:COLLECTION BOTTLE	U009	32
D1496667	(-CHN):DECAL:CAUTION:INKJET	ACCESSORY	27
D1496668	(-TWN):DECAL:CAUTION:INKJET	ACCESSORY	28
D1496766	(-NA,-EU,-AA):DECAL:CAUTION:ORIGINAL:ENGLISH	ACCESSORY	29
D1496767	(-CHN):DECAL:CAUTION:ORIGINAL	ACCESSORY	30

Number	Part Name	Group	ID
	L:CHINESE		
D1496768	(-TWN):DECAL:CAUTION:ORIGINAL:TAIWAN	ACCESSORY	31
D1496851	(-NA,-AA):DECAL:MAIN SWITCH:ON-STANDBY:ENGLISH	ACCESSORY	32
D1496852	(-EU,-CHN,-TWN):DECAL:MAIN SWITCH:ON-STANDBY	ACCESSORY	33
D1496859	DECAL:CLEANING:SHIELD GLASS	U001_S001	52
D1496862	DECAL:SIZE INDICATION:PAPER TRAY:EXP	ACCESSORY	34
D1497911	DUCT:DEVELOPMENT:FRONT	U001_S001	53
D1497916	DUCT:DEVELOPMENT:FRONT MIDDLE:A	U016	21
D1497917	DUCT:DEVELOPMENT:FRONT MIDDLE:B	U016	22
D1497922	COVER:FAN:DEVELOPMENT:RIGHT LOWER	U016	23
D1497923	DUCT:DEVELOPMENT:RIGHT LOWER	U016	24
D1497931	DUCT:DEVELOPMENT:EXHAUST	U016	25
D1497932	DUCT:PCU:EXHAUST	U016	26
D1497941	DUCT:EXHAUST:UPPER:A	U016	28
D1497942	DUCT:EXHAUST:UPPER:B	U016	29
D1497943	DUCT:EXHAUST:UPPER:C	U016	30
D1497944	DUCT:EXHAUST:UPPER:D	U016	31
D1497953	DUCT:SUPPLY:C	U016	32
D1497954	DUCT:SUPPLY:D	U016	33
D1497955	DUCT:SUPPLY:FAN:UPPER	U016	34
D1497956	DUCT:SUPPLY:FAN:LOWER	U016	35
D1497961	DUCT:PAPER:COOLING:A	U016	36
D1497962	DUCT:PAPER:COOLING:B	U016	37
D1497982	DUCT:POWER SUPPLY UNIT	U016	38
D1497983	BRACKET:FAN:POWER SUPPLY UNIT	U016	39
D1497984	DUCT:REAR:POWER SUPPLY UNIT	U001	54
D1497986	GUIDE:THERMISTOR	U016	40
D1501244	COVER:FRONT:RIGHT UPPER	U001	19

## Exclusive Parts

Number	Part Name	Group	ID
D1501247	COVER:FRONT:USED TONER	U001	55
D1501250	COVER:LEFT	U001	22
D1501282	COVER:SCANNER:UPPER:FRONT	U001	38
D1501290	COVER:SCANNER:UPPER:REAR	U001	56
D1509591	NV-RAM	U015	55
D1581721	(D237):(D176/D177-CHN):ILLUMINATION UNIT:LEDB:ASS'Y	U003	66
D1595138	(D237):(D176/D177-CHN):PCB:SIO	U003	67
D1751101	DRIVE UNIT:ENGINE:ASS'Y	U014_S003	26
D1751357	DRIVE UNIT:FUSING/PAPER EXIT UNIT:ASS'Y	U014_S004	27
D1752601	MANUAL FEED UNIT:ASS'Y	U013_S001_S003	193
D1752726	STOPPER:GUIDE PLATE:SWIVEL	U004_S005	113
<b>D1752733</b>	<b>PAPER FEED UNIT:NO.1:ASS'Y</b>	<b>U004_S004</b>	<b>114</b>
<b>D1752734</b>	<b>PAPER FEED UNIT:NO.2:ASS'Y</b>	<b>U004_S005</b>	<b>115</b>
D1752784	GUIDE PLATE:SENSOR:PAPER FEED	U004_S004	116
		U004_S005	116
D1752801	PAPER TRAY:NO.1:ASS'Y	U004_S006	117
D1752812	(-EU,-AA,-CHN,-TWN):PAPER TRAY:NO.2:ASS'Y	U004_S008	124
		U004_S009	124
D1752813	(-NA):PAPER TRAY:NO.2:ASS'Y	U004_S007	118
D1752854	TENSION SPRING:GRIP:LEFT	U004_S006	119
		U004_S007	119
		U004_S008	119
		U004_S009	119
		U004_S010	119
		U004_S011	119
		U004_S012	119
		U004_S013	119
		U004_S014	119
		U004_S015	119
D1752858	LEVER:RELEASE:PAPER TRAY:OUTER	U004_S006	120
		U004_S007	120
		U004_S008	120
		U004_S009	120
		U004_S010	120
		U004_S011	120
	U004_S012	120	

Number	Part Name	Group	ID
		U004_S013	120
		U004_S014	120
		U004_S015	120
D1752872	LINK:END FENCE:PAPER SIZE SENSOR	U004_S007	121
		U004_S008	121
		U004_S009	121
		U004_S010	121
		U004_S011	121
		U004_S012	121
		U004_S013	121
		U004_S014	121
	U004_S015	121	
D1752886	COVER:TRAY:REAR RIGHT:NO.1	U004	122
D1752888	COVER:TRAY:REAR RIGHT:NO.2	U004	123
D1752894	(-EU,-AA,-CHN,-TWN):PAPER TRAY:NO.2:ASS'Y	U004_S010	124
		U004_S011	124
D1754408	PAPER EXIT UNIT:XYZ:ASS'Y	U012_S002	59
D1754518	DUPLEX UNIT:METIS-C1XYZ:EXP:ASS'Y	U013_S001	189
D1754654	SHAFT:LEVER:LOCK	U013_S001	176
D1754660	GUIDE PLATE:DUPLEX:EXIT	U013_S001	177
D1754675	COVER:GUIDE PLATE:DRIVEN	U013_S001	185
D1754737	PLAIN SHAFT BEARING:DUPLEX:EXIT	U013_S001	186
D1761414	(D176/D177-CHN):OPERATION PANEL:ASS'Y	U002_S004	40
D1761415	(D176/D177-TWN):OPERATION PANEL:ASS'Y	U002_S005	41
D1761421	(C2003SP/C2503SP-NA,-AA):OPERATION SUB-UNIT:ME-C1XYZ:ASS'Y	U002_S001	38
		U002_S002	38
D1761422	(D176/D177-EU):OPERATION SUB-UNIT:ME-C1XYZ:ASS'Y	U002_S003	57
D1764005	(-NA):FUSING UNIT:SERVICE	U011_S003	75
D1764007	(-TWN):FUSING UNIT:XYZ:SERVICE	U011_S005	77
D1764010	(-EU,-AA,-CHN):FUSING UNIT:EU:XYZ:SERVICE	U011_S001	76
		U011_S002	76
		U011_S004	76

Exclusive Parts

Number	Part Name	Group	ID
D1764031	(-NA):SLEEVE:FUSING:SERVICE	U011_S003	78
D1764042	(-EU,-AA,-CHN):SLEEVE:FUSING:EU:XYZ:SERVICE	U011_S001	79
		U011_S002	79
		U011_S004	79
		U011_S005	87
D1764043	(-TWN):SLEEVE:FUSING:SERVICE	U011_S005	87
<b>D1765059</b>	<b>(D237):PCB:IOBENGINE:SERVICE:ASS'Y</b>	<b>U015</b>	<b>74</b>
D1765124	(D237):(D176/D177-CHN):PCB:IOB:TRANSPORT	U015	56
D1766752	(D176-NA,-EU,-AA):DECAL:MODEL NAME PLATE:RIC:EXP	ACCESSORY	35
D1766753	(D176-CHN,TWN):DECAL:MODEL NAME PLATE:RIC	ACCESSORY	36
D1767991	(D176/D177-NA,-AA):MANUAL:NOTES_SECU:GB:TAH	ACCESSORY	37
D1767994	(D176/D177-EU):SHEET:SECU_EX P_T:EXP	ACCESSORY	38
D1771232	COVER:UPPER:EXIT	U001	57
D1771276	INNER COVER:TONER BOTTLE	U001	59
D1771289	COVER:SCANNER:REAR	U001	60
D1771302	CLEANER:SHIELD GLASS:ASS'Y	U001_S001	61
D1771455	(D176/D177-EU,-CHN,-TWN):PCB:LCD:AR2FT:ASS'Y	U002_S003	42
		U002_S004	42
		U002_S005	42
D1771456	(D176/D177-NA,-AA):PCB:LCD:AR2FT:MEC1XYZ_NA:ASS'Y	U002_S001	43
		U002_S002	43
D1771592	SCREW:M3X6	U002	44
D1771721	(D176/D177-NA,-EU,-AA,-TWN):ILLUMINATION UNIT:LEDB:ASS'Y	U003	68
D1773025	DEVELOPMENT UNIT:SERVICE PARTS:K	U006_S001	17
D1773026	DEVELOPMENT UNIT:SERVICE PARTS:C	U006_S002	18
D1773027	DEVELOPMENT UNIT:SERVICE PARTS:M	U006_S003	19
D1773028	DEVELOPMENT UNIT:SERVICE PARTS:Y	U006_S004	20
D1773275	(D176/D177-NA,-EU,-AA,-TWN):TR	U007_S009	31

Number	Part Name	Group	ID
	ANSPORT SCREW:NOZZLE:XYZ:BLACK:ASS'Y	U007_S013	31
		U007_S014	31
		U007_S015	31
		U007_S010	32
<b>D1773286</b>	<b>(D176/D177-NA,-EU,-AA,-TWN):TRANSPORT SCREW:NOZZLE:CMY:ASS'Y</b>	<b>U007_S011</b>	<b>32</b>
		<b>U007_S012</b>	<b>32</b>
		<b>U007_S016</b>	<b>32</b>
		<b>U007_S017</b>	<b>32</b>
		<b>U007_S018</b>	<b>32</b>
		<b>U007_S019</b>	<b>32</b>
		<b>U007_S020</b>	<b>32</b>
		<b>U007_S021</b>	<b>32</b>
		<b>U007_S022</b>	<b>32</b>
		<b>U007_S023</b>	<b>32</b>
<b>U007_S024</b>	<b>32</b>		
D1774274	FUSING COVER:LOWER:XYZ	U011_S001	81
		U011_S002	81
		U011_S003	81
		U011_S004	81
		U011_S005	81
D1775059	(D176/D177):PCB:IOBENGINE:SERVICE:ASS'Y	U015	75
D1775113	(-NA,-EU,-AA,-TWN):BCU:TYPE-H1:ASS'Y	U015	60
D1775115	(-CHN):BCU:TYPE-H1:ME-C1K:CHN:ASS'Y	U015	61
D1775124	(D176/D177-NA,-EU,-AA,-TWN):PCB:IOB:TRANSPORT	U015	62
D1775138	(D176/D177-NA,-EU,-AA,-TWN):PCB:SIO	U003	70
D1775172	(D176/D177-NA,-EU,-AA,-TWN):PCB:TCB	U007_S009	33
		U007_S010	33
		U007_S011	33
		U007_S012	33
		U007_S013	33
		U007_S014	33
		U007_S015	33
		U007_S016	33

Exclusive Parts

Number	Part Name	Group	ID
		U007_S017	33
		U007_S018	33
		U007_S019	33
		U007_S020	33
		U007_S021	33
		U007_S022	33
		U007_S023	33
		U007_S024	33
D1775650	(D176/D177-NA,-EU,-AA,-TWN):PC B:IMAGE PROCESSING UNIT	U015	64
D1775686	(D176/D177-NA,-EU,-AA,-TWN):PC B:DCSW	U015	66
D1775761	iD176/D177-NA,EU,AA,TWN):CASE: POWER PACK:CB:ASS'Y	U015	68
D1775801	COVER:RACK:REAR	U015	69
D1776006	TRANSFER UNIT:INTERMEDIATE TRANSFER:ASS'Y	U008_S004	38
D1776097	FLAT BELT-TRANSFER:INTERMEDIATE TRANSFER:T	U008_S004	34
D1776511	PIPE:ASS'Y	U009	33
D1776752	(D177-NA,-EU,-AA):DECAL:MODEL NAME PLATE:RIC:EXP	ACCESSORY	39
D1776753	(D177-CHN,-TWN):DECAL:MODEL NAME PLATE:RIC	ACCESSORY	40
D1777935	CASE:FILTER:ASS'Y	U016_S001	41
D1777945	DEODORIZE FILTER	U016	42
D1821425	LCD:TFT:WVGA-9:LED:AUO	U002_S001	45
		U002_S002	45
		U002_S003	45
		U002_S004	45
		U002_S005	45
		U002_S006	45
		U002_S007	45
		U002_S008	45
		U002_S009	45
D1821432	CABLE:FFC:LCD	U002_S001	61
		U002_S002	61
		U002_S003	61

Number	Part Name	Group	ID
		U002_S004	61
		U002_S005	61
		U002_S006	61
		U002_S007	61
		U002_S008	61
		U002_S009	61
D1821517	BRACKET:LCDC:SH	U002_S001	46
		U002_S002	46
		U002_S003	46
		U002_S004	46
		U002_S005	46
		U002_S006	46
		U002_S007	46
		U002_S008	46
		U002_S009	46
<b>D1860404</b>	<b>(D176/D177-NA)(-TWN):KIT:HEATER:DEHUMIDIFIER</b>	<b>HEATER</b>	<b>1</b>
<b>D1860405</b>	<b>(-EU,-AA,-CHN):KIT:HEATER:DEHUMIDIFIER</b>	<b>HEATER</b>	<b>2</b>
D1882208	AIT:BLACK:SERVICE PARTS:EXP	U006_S001	21
D1882209	AIT:CYAN:SERVICE PARTS:EXP	U006_S002	22
D1882210	AIT:MAGENTA:SERVICE PARTS:EXP	U006_S003	23
D1882211	AIT:YELLOW:SERVICE PARTS:EXP	U006_S004	24
D1882254	PCU:SERVICE PARTS:EXP	U006_S001	25
		U006_S002	25
		U006_S003	25
		U006_S004	25
D1885215	(D176):PCB:Y:JL1_CTL(AR):EXP	U015	58
D1885217	(D177):PCB:CTL:EXP	U015	65
<b>D1885236</b>	<b>(D176 Smart Operation Panel):PCB:Y:JL1_CTL(CH)</b>	<b>U015</b>	<b>59</b>
D1885237	(D177 Smart Operation Panel):PCB:Z:JL1_CTL(CH)	U015	67
D2024458	ROLLER:DRIVEN:EXIT	U012_S002	37
<b>D2024644</b>	<b>GEAR:MECHANICAL ROLLER CLUTCH</b>	<b>U013_S001</b>	<b>100</b>
D2024692	SHAFT:PRESSURE:GUIDE PLATE:	U013_S001	51

## Exclusive Parts

Number	Part Name	Group	ID
	UPPER		
<b>D2024717</b>	<b>GEAR:FEED:MANUAL FEED:DRIVE</b>	<b>U013_S001</b>	<b>128</b>
<b>D2024718</b>	<b>GEAR:SEPARATOR:MANUAL FEED:DRIVE</b>	<b>U013_S001</b>	<b>129</b>
<b>D2024719</b>	<b>GEAR:TRANSPORT ROLLER:MANUAL FEED</b>	<b>U013_S001</b>	<b>130</b>
D2371026	(D237):COVER:CONNECTOR:DRAWER:FINISHING SUB-UNIT	ACCESSORY	41
D2371027	(D237):COVER:CONNECTOR:DRAWER:JOINT UNIT	ACCESSORY	42
D2371403	(D237-AA):OPERATION PANEL:SH:AA:ASS'Y	U002_S006	48
D2371404	(D237-CHN):OPERATION PANEL:SH:CHN:ASS'Y	U002_S007	49
D2371405	(D237-TWN):OPERATION PANEL:SH:TWN:ASS'Y	U002_S009	50
D2371412	(D237-EU):OPERATION PANEL:SH:EU:ASS'Y	U002_S008	47
D2371455	(D237-EU,-CHN,-TWN):PCB:LCDC:AR2FT:ASS'Y	U002_S007	51
		U002_S008	51
		U002_S009	51
D2371456	(D237-AA):PCB:LCDC:AR2FT:AA:ASS'Y	U002_S006	52
D2372814	(C2011SP-TWN/-CHN/-EU/-AA):PAPER TRAY:NO.2:ASS'Y	U004_S012	132
		U004_S013	132
		U004_S014	132
		U004_S015	132
D2375675	PCB:CTL:METIS-C1K:EXP(C2011)	U015	70
D2376752	(D237-EU,-AA):DECAL:MODEL NAME PLATE:RIC:EXP	ACCESSORY	43
D2376753	(D237-CHN,-TWN):DECAL:MODEL NAME PLATE:RIC:CHN	ACCESSORY	44
D2376754	(D237-CHN):DECAL:MODEL NAME PLATE:GES:CHN	ACCESSORY	45
<b>D2411727</b>	<b>SHEET:GAP:ASS'Y</b>	<b>U003</b>	<b>27</b>
D2416141	CLEANING UNIT:BELT CLEANING:C2:ASS'Y	U008_S002	17
<b>D2426432</b>	<b>FEELER:COLLECTION BOTTLE</b>	<b>U009_S001</b>	<b>36</b>

Number	Part Name	Group	ID
D6846031	(-NA,-EU):DECAL:ORIGINAL TABLE	ACCESSORY	46
D6846061	(-NA,-EU):DECAL::ORIGINAL:MANY LANGUAGES	ACCESSORY	47
D6932867	SUPPORTING PLATE:COVER:FRONT:PAPER TRAY	U004_S007	131
		U004_S008	131
		U004_S009	131
		U004_S010	131
		U004_S011	131
		U004_S012	131
		U004_S013	131
		U004_S014	131
		U004_S015	131
D7390071	HEATER:SCANNER:NA:ASS'Y	HEATER	3
D7390072	HEATER:SCANNER:EU:ASS'Y	HEATER	4
D7390116	(-NA):HEATER:PHOTOCONDUCTOR:NA:ADHESION	HEATER	5
D7390117	(-EU,-AA,-CHN):HEATER:PHOTOCONDUCTOR:EU:ADHESION	HEATER	6
<b>D7390506</b>	<b>(D176/D177-NA)(-TWN):ELECTRICAL COMPONENTS SECTION:ASS'Y</b>	<b>HEATER</b>	<b>7</b>
<b>D7390507</b>	<b>(-EU,-AA,-CHN):ELECTRICAL COMPONENTS SECTION:ASS'Y</b>	<b>HEATER</b>	<b>8</b>
D7396212	(OPTION):TRANSFER ROLLER:SECOND:ASS'Y	U010_S001	47
G0652767	LEVER - FEED	U004_S004	125
		U004_S005	125
G4042810	SPRING PLATE - 2ND MIRROR	U003	71
GA003268	DECAL:PDF:I-GRAY:ABS	ACCESSORY	48
GA143003	SCREW:MM5:2.5MM	U004	126
		U010_S001_S001	46
GW010007	PHOTO REFLECTION SENSOR:EXIT	U004	127
		U004_S004	127
		U004_S005	127
		U012_S002	56
		U013_S001	179
GW010009	DENSITY SENSOR	U008_S001	35
GW230008	TONER END SENSOR	U007_S005	34
		U007_S006	34

## Exclusive Parts

Number	Part Name	Group	ID
		U007_S007	34
		U007_S008	34
GX640031	FAN MOTOR:DC:2.64W	U015	71
		U016	43
M0261815	CLAMP:MIRROR:NO.1	U003_S002	72
M0662743	FRICION PAD:MANUAL FEED TABLE:18X7.5	U013_S001_S004	180
M1295245	PCB:DDR3-DIMM:RC-A:1.5GB:ASSY	U015	72
M4445201	HDD:320GB:AQUARIUS	U015	34
VSSG9002	FLUOTRIBO MG GREASE : 100G	SPECIAL TOOLS	7



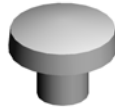
## Standard Parts



03130060N  
SCREW - M3X6



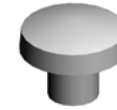
03140120N  
SCREW - M4X12



03520030N  
SCREW:M2X3



03530030N  
SCREW:M3X3



03530040N  
SCREW - M3X4



03530060N  
BIND SCREW - M3X6



03603006N  
SCREW - M3X6



03603016N  
SCREW - M3X16



04503025N  
TAPPING SCREW:3X25



04503035N  
TAPPING SCREW:3X35



04513025N  
TAPPING SCREW:M3X25



04533006N  
TAPPING SCREW - M3X6



04533008N  
BINDING SELF TAPPING SCREW:3X8



04543006N  
TAPPING SCREW:ROUND POINT:3X6



04543006Q  
TAPPING SCREW - M3X6



04543008N  
TAPPING SCREW:ROUND POINT:3X8



04543008Q  
TAPPING SCREW:3X8



04543020Q  
TAPPING SCREW::3X20



04583008N  
HEXAGON HEAD TAPPING SCREW:3X8



04583010N  
HEXAGON HEAD TAPPING SCREW:3X10



04583012N  
HEXAGON HEAD TAPPING SCREW:3X12



04593008N  
BINDING HEAD TAPPING SCREW:3X8



04593010N  
BINDING HEAD TAPPING SCREW:3X10



06330100G  
PARALLEL PIN - 3X10



07200025E  
RETAINING RING - M2.5



07200030E  
RETAINING RING - M3



07200040E  
RETAINING RING - M4



07200060E  
RETAINING RING - M6

## Standard Parts



07250170E  
RETAINING RING C - M17



07403808  
BALL BEARING - 8X16X5MM



08025312  
TAPPING SCREW:WASHER:3  
X10



08025328  
HEXAGON HEAD TAPPING S  
CREW:3X40



08046123  
HEXAGONAL BOLT:W/WASH  
ER:M3X8



08046128  
HEXAGONAL BOLT:DOUBLE  
SCREW:M3X10



08046129  
HEXAGON HEAD BOLT:IB-LO  
CK:M3X6



08050089  
RETAINING RING - M4



08050103  
RETAINING RINGS-E:SILENC  
ER:DIA3



08050104  
RETAINING RINGS-E:SILENC  
ER:DIA4



08050106  
RETAINING RINGS-E:SILENC  
ER:DIA6



09574008N  
SCREW:SMALL ROUND/SPRI  
NG:M4X8



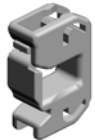
11029782  
ID176/D177:CONNECTOR:51  
405-1819



11050488  
HARNESS CLAMP



11050517  
HARNESS CLAMP - LWS-211  
1Z



11050692  
CLAMP:LES-0503



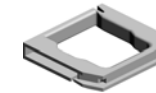
11050723  
CLAMPS:WES-0507



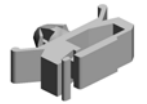
11050724  
CLAMPS:WES-1210



11050725  
CLAMPS:WES-1117



11050726  
CLAMPS:WES-2217



11050758  
CLAMP:LWSM-0306A



11050759  
CLAMP:LWSM-0605A



11050760  
CLAMP:LWSM-0511A



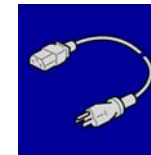
11050762  
CLAMP:LWS-0711A



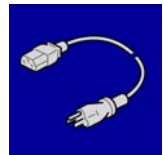
11050764  
CLAMP:LWS-1316A



11050765  
CLAMP:LWS-2218A

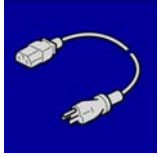


11500440  
(-NA):POWER SUPPLY CODE  
:120V:15A

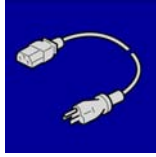


11500441  
(-EU,-AA):POWER SUPPLY C  
ODE:250V:10A

## Standard Parts



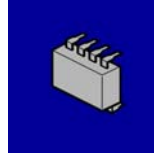
11500442  
(-CHN):POWER SUPPLY COD  
E:250V:10A



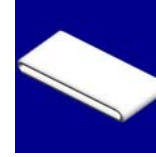
11500443  
(-TWN):POWER SUPPLY CO  
DE:125V:15A



12042612  
MICRO SWITCH:D3V-16506-3  
C25



14077667  
EEPROM:BR24T128-W



16072249  
FERRITE CORE:K3 NF-70-A(  
N)BK0

PM Part List

Number	Part Name	Num	Group	ID
<b>D1477937</b>	<b>FILTER:PREVENTFENCE:10</b>	1	<b>U016_S001</b>	<b>27</b>
D1496212	TRANSFER ROLLER:SECON D:ASS'Y	1	U010_S001	23
D1496400	COLLECTION BOTTLE:ASS'Y	1	U009_S001	15
D1764005	(-NA):FUSING UNIT:SERVICE	1	U011_S003	75
D1764007	(-TWN):FUSING UNIT:XYZ:SE RVICE	1	U011_S005	77
D1764031	(-NA):SLEEVE:FUSING:SERV ICE	1	U011_S003	78
D1764042	(-EU,-AA,-CHN):SLEEVE:FUS ING:EU:XYZ:SERVICE	3	U011_S001	79
			U011_S002	79
			U011_S004	79
D1764043	(-TWN):SLEEVE:FUSING:SE RVICE	1	U011_S005	87
D1773025	DEVELOPMENT UNIT:SERVI CE PARTS:K	1	U006_S001	17
D1773026	DEVELOPMENT UNIT:SERVI CE PARTS:C	1	U006_S002	18
D1773027	DEVELOPMENT UNIT:SERVI CE PARTS:M	1	U006_S003	19
D1773028	DEVELOPMENT UNIT:SERVI CE PARTS:Y	1	U006_S004	20
D1776006	TRANSFER UNIT:INTERMEDI ATE TRANSFER:ASS'Y	1	U008_S004	38
D1882254	PCU:SERVICE PARTS:EXP	4	U006_S001	25
			U006_S002	25
			U006_S003	25
			U006_S004	25
D2416141	CLEANING UNIT:BELT CLEA NING:C2:ASS'Y	1	U008_S002	17
D7396212	(OPTION):TRANSFER ROLLE R:SECOND:ASS'Y	1	U010_S001	47

## Design Change List

Number	Title	Set	Old Part		New Part		Index No.		Q'ty	Interchg		Reason	Cut-in S/N
			P/N	Name	P/N	Name	Group	ID		Indiv.	Set		
201509-01	1509 Modification	-	D1775675	(D177):PCB:CTL:EXP	D1885217	(D177):PCB:CTL:EXP	U015	65	1	O/O			ModelMETC1yzk:
201509-02	1509 Modification	-	D1473276	TRANSPORT SCREW:NOZZLE:CMY:ASS'Y	D1473286	TRANSPORT SCREW:NOZZLE:CMY:ASS'Y	U007_S026	14	1	O/O			ModelMETC1yzk:
			D1473276	TRANSPORT SCREW:NOZZLE:CMY:ASS'Y	D1473286	TRANSPORT SCREW:NOZZLE:CMY:ASS'Y	U007_S027	14	1	O/O			
			D1473276	TRANSPORT SCREW:NOZZLE:CMY:ASS'Y	D1473286	TRANSPORT SCREW:NOZZLE:CMY:ASS'Y	U007_S028	14	1	O/O			
201508-01	1508 Modification	-	D2372812	(C2011SP-TWN/-CHN/-EU/-AA):PAPER TRAY:NO.2:ASS'Y	D2372814	(C2011SP-TWN/-CHN/-EU/-AA):PAPER TRAY:NO.2:ASS'Y	U004_S012	132	1	X/O			ModelMETC1yzk:
			D2372812	(C2011SP-TWN/-CHN/-EU/-AA):PAPER TRAY:NO.2:ASS'Y	D2372814	(C2011SP-TWN/-CHN/-EU/-AA):PAPER TRAY:NO.2:ASS'Y	U004_S013	132	1	X/O			
			D2372812	(C2011SP-TWN/-CHN/-EU/-AA):PAPER TRAY:NO.2:ASS'Y	D2372814	(C2011SP-TWN/-CHN/-EU/-AA):PAPER TRAY:NO.2:ASS'Y	U004_S014	132	1	X/O			
			D2372812	(C2011SP-TWN/-CHN/-EU/-AA):PAPER TRAY:NO.2:ASS'Y	D2372814	(C2011SP-TWN/-CHN/-EU/-AA):PAPER TRAY:NO.2:ASS'Y	U004_S015	132	1	X/O			
201508-02	1508 Modification	-	D1491468	PCB:OP-L:USB:ASS'Y	D1491469	PCB:OP-L:USB:ASS'Y	U002_S001	58	1	O/O			ModelMETC1yzk:
			D1491468	PCB:OP-L:USB:ASS'Y	D1491469	PCB:OP-L:USB:ASS'Y	U002_S002	58	1	O/O			

## Design Change List

Number	Title	Set	Old Part		New Part		Index No.		Q'ty	Interchg		Reason	Cut-in S/N
			P/N	Name	P/N	Name	Group	ID		Indiv.	Set		
		-		SS'Y		SS'Y							
			D1491468	PCB:OP-L:USB:A SS'Y	D1491469	PCB:OP-L:USB:A SS'Y	U002_S003	58	1	O/O			
			D1491468	PCB:OP-L:USB:A SS'Y	D1491469	PCB:OP-L:USB:A SS'Y	U002_S004	58	1	O/O			
			D1491468	PCB:OP-L:USB:A SS'Y	D1491469	PCB:OP-L:USB:A SS'Y	U002_S005	58	1	O/O			
			D1491468	PCB:OP-L:USB:A SS'Y	D1491469	PCB:OP-L:USB:A SS'Y	U002_S006	58	1	O/O			
			D1491468	PCB:OP-L:USB:A SS'Y	D1491469	PCB:OP-L:USB:A SS'Y	U002_S007	58	1	O/O			
			D1491468	PCB:OP-L:USB:A SS'Y	D1491469	PCB:OP-L:USB:A SS'Y	U002_S008	58	1	O/O			
			D1491468	PCB:OP-L:USB:A SS'Y	D1491469	PCB:OP-L:USB:A SS'Y	U002_S009	58	1	O/O			
201508-03	1508 Modification	-	D1472751	ARM:PRESSURE :SEPARATE	D1482751	ARM:PRESSURE :SEPARATE	U004_S004	37	1	O/O			ModelMETC1yzk:
							U004_S005	37	1				
201508-04	1508 Modification	-	D1755329	HARNESS:PCU:C ONNECTING	D1775329	HARNESS:PCU:C ONNECTING	G7(1/2)		1	X/O			ModelMETC1yzk:
201507-01	1507 Modification	-	D1492866	COVER:PAPER T RAY:NO.2	D1472866	COVER:PAPER T RAY:NO.2	U004_S007	95	1	O/O			ModelMETC1yzk:
							U004_S008	95	1				
							U004_S009	95	1				
							U004_S010	95	1				
							U004_S011	95	1				
							U004_S012	95	1				
							U004_S013	95	1				
							U004_S014	95	1				
							U004_S015	95	1				
201507-02	1507 Modification	-	D1775114	(-CHN):BCU:TYP E-H1:ASS'Y	D1775115	(-CHN):BCU:TYP E-H1:ME-C1K:CH	U015	61	1	X/O			ModelMETC1yzk:

## Design Change List

Number	Title	Set	Old Part		New Part		Index No.		Q'ty	Interchg		Reason	Cut-in S/N
			P/N	Name	P/N	Name	Group	ID		Indiv.	Set		
		-				N:ASS'Y							
201507-03	1507 Modification	-	D1494750	BRACKET:MOTOR:DUPLICATE	D1484750	BRACKET:MOTOR:DUPLICATE:PEEN					O/O		ModelMETC1yzk:
201507-04	1507 Modification	-	D1492663	MANUAL FEED TABLE	D1482663	MANUAL FEED TABLE	U013_S001_S004	83	1		X/O		ModelMETC1yzk:
201507-05	1507 Modification	-	D0394591	SHAFT:PRESSURE:GUIDE PLATE:EXIT	D2024692	SHAFT:PRESSURE:GUIDE PLATE:UPPER	U013_S001	51	2		O/O		ModelMETC1yzk:
201507-06	1507 Modification	-	D1485786	BRACKET:HDD	D1465786	BRACKET:HDD	U015	79	1		X/O		ModelMETC1yzk:
201507-07	1507 Modification	-	D1491250	COVER:LEFT	D1501250	COVER:LEFT	U001	22	1		X/O		ModelMETC1yzk:
201507-08	1507 Modification	-	D1764032	(-EU,-AA,-CHN):SLEEVE:FUSING:SERVICE	D1764042	(-EU,-AA,-CHN):SLEEVE:FUSING:SERVICE	U011_S001	79	1		O/O		ModelMETC1yzk:
			D1764032	(-EU,-AA,-CHN):SLEEVE:FUSING:SERVICE	D1764042	(-EU,-AA,-CHN):SLEEVE:FUSING:SERVICE	U011_S002	79	1		O/O		
			D1764032	(-EU,-AA,-CHN):SLEEVE:FUSING:SERVICE	D1764042	(-EU,-AA,-CHN):SLEEVE:FUSING:SERVICE	U011_S004	79	1		O/O		
201507-09	1507 Modification	-			D6932867	SUPPORTING PLATE:COVER:FRONT:PAPER TRAY	U004_S007	131	1				ModelMETC1yzk:
					D6932867	SUPPORTING PLATE:COVER:FRONT:PAPER TRAY	U004_S008	131	1				
					D6932867	SUPPORTING PLATE:COVER:FRONT:PAPER TRAY	U004_S009	131	1				
					D6932867	SUPPORTING PLATE:COVER:FRONT:PAPER TRAY	U004_S010	131	1				

## Design Change List

Number	Title	Set	Old Part		New Part		Index No.		Q'ty	Interchg		Reason	Cut-in S/N
			P/N	Name	P/N	Name	Group	ID		Indiv.	Set		
		-				NT:PAPER TRAY							
					D6932867	SUPPORTING PLATE:COVER:FRONT:PAPER TRAY	U004_S011	131	1				
					D6932867	SUPPORTING PLATE:COVER:FRONT:PAPER TRAY	U004_S012	131	1				
					D6932867	SUPPORTING PLATE:COVER:FRONT:PAPER TRAY	U004_S013	131	1				
					D6932867	SUPPORTING PLATE:COVER:FRONT:PAPER TRAY	U004_S014	131	1				
					D6932867	SUPPORTING PLATE:COVER:FRONT:PAPER TRAY	U004_S015	131	1				
201507-10	1507 Modification	-	D1492659	HARNESS:MANUAL FEED	D1482659	HARNESS:MANUAL FEED	C2(1/2)		1	X/O			ModelMETC1yzk:
201507-11	1507 Modification	-	D1771240	COVER:FRONT:ASS'Y	D1481240	COVER:FRONT:ASS'Y	U001_S001	10	1	X/O			ModelMETC1yzk:
201506-01	1506 Modification	-	D1494834	MANUAL FEED TABLE:EXP:ASS'Y	D1484833	MANUAL FEED TABLE:EXP:ASS'Y	U013_S001_S004	194	1	O/O			ModelMETC1yzk:
201506-02	1506 Modification	-	D1482681	GUIDE PLATE:VERTICAL TRANSPORT:NO.2:DRIVE N:ASS'Y	D1482685	GUIDE PLATE:VERTICAL TRANSPORT:NO.2:DRIVE N:ASS'Y	U013_S001_S002	183	1	O/O			ModelMETC1yzk:
201506-03	1506 Modification	-	D1761412	(D176/D177-EU): OPERATION PANEL:D148/D149/D150:ASS'Y	D1761422	(D176/D177-EU): OPERATION SUB-UNIT:ME-C1XYZ:ASS'Y	U002_S003	57	1	O/O			ModelMETC1yzk:



## Design Change List

Number	Title	Set	Old Part		New Part		Index No.		Q'ty	Interchg		Reason	Cut-in S/N
			P/N	Name	P/N	Name	Group	ID		Indiv.	Set		
201506-04	1506 Modification	-			D1491518	BRACKET:LCDC:CM	U002	53	1				ModelMETC1yzk:
201506-05	1506 Modification	-			D1491534	(-NA,-AA):COVER:UPPER:CM	U002_S001	54	1				ModelMETC1yzk:
					D1491534	(-NA,-AA):COVER:UPPER:CM	U002_S002	54	1				
					D1491534	(-NA,-AA):COVER:UPPER:CM	U002_S006	54	1				
201506-06	1506 Modification	-			D1491556	(-CHN):COVER:UPPER:CM	U002_S004	55	1				ModelMETC1yzk:
					D1491556	(-CHN):COVER:UPPER:CM	U002_S007	55	1				
201506-07	1506 Modification	-			D1491558	(-TWN):COVER:UPPER:CM	U002_S009	56	1				ModelMETC1yzk:
					D1491558	(-TWN):COVER:UPPER:CM	U002_S005	56	1				
201506-08	1506 Modification	-	D1494790	HARNESS:PAPER SIZE SENSOR:MANUAL FEED	D1484790	HARNESS:PAPER SIZE SENSOR:MANUAL FEED	C2(1/2)		1	O/O			ModelMETC1yzk:
201505-01	1505 Modification	-	D1754514	DUPLEX UNIT:EXP:ASS'Y	D1754518	DUPLEX UNIT:METIS-C1XYZ:EXP:ASS'Y	U013_S001	189	1	O/O			ModelMETC1yzk:
201504-01	1504 Modification	-	D1425765	HDD:TOSHIBA:250GB	M4445201	HDD:320GB:AQUARIUS	U015	34	1	O/O			ModelMETC1yzk:
201504-02	1504 Modification	A	D1494681	BRACKET:MOTOR	D1484681	BRACKET:MOTOR:PEEN	U013_S001	117	1	X/X	X/O		ModelMETC1yzk:
201504-03	1504 Modification	A			D1494787	GUIDE:HARNESSES:MANUAL FEED:CONNECTING	U013_S001	192	1		X/O		ModelMETC1yzk:
201504-04	1504 Modification	-			D1752601	MANUAL FEED U	U013_S001	193	1				ModelMETC1yzk:

## Design Change List

Number	Title	Set	Old Part		New Part		Index No.		Q'ty	Interchg		Reason	Cut-in S/N
			P/N	Name	P/N	Name	Group	ID		Indiv.	Set		
		-				NIT:ASS'Y	_S003						
201504-05	1504 Modification	-	D1771771	(D176/D177-NA,-EU,-AA,-TWN)::LENS:HOLDER:ASS'Y	D1491771	LENS:HOLDER:ASS'Y	U003	51	1	X/O			ModelMETC1yzk:
201504-06	1504 Modification	-			D1496310	BRACKET:ON-OFF:COLLAR	U008	42	1				ModelMETC1yzk:
201503-01	1503 Modification	-	D1496211	TRANSFER ROLLER:SECOND:ASS'Y	D1496212	TRANSFER ROLLER:SECOND:ASS'Y	U010_S001	23	1	X/O			ModelMETC1yzk:
201503-02	1503 Modification	-	D1495370	HARNESS:FFC:BCU:IPU:IF50	D1495387	HARNESS:FFC:BCU:IPU:IF50	F5(2/2)		1	O/O			ModelMETC1yzk:
201503-03	1503 Modification	-	D1491488	PCB:OP-R:ASS'Y	D1461488	PCB:OP-R:ASS'Y	U002_S001	14	1	O/O			ModelMETC1yzk:
			D1491488	PCB:OP-R:ASS'Y	D1461488	PCB:OP-R:ASS'Y	U002_S002	14	1	O/O			
			D1491488	PCB:OP-R:ASS'Y	D1461488	PCB:OP-R:ASS'Y	U002_S003	14	1	O/O			
			D1491488	PCB:OP-R:ASS'Y	D1461488	PCB:OP-R:ASS'Y	U002_S004	14	1	O/O			
			D1491488	PCB:OP-R:ASS'Y	D1461488	PCB:OP-R:ASS'Y	U002_S005	14	1	O/O			
			D1491488	PCB:OP-R:ASS'Y	D1461488	PCB:OP-R:ASS'Y	U002_S006	14	1	O/O			
			D1491488	PCB:OP-R:ASS'Y	D1461488	PCB:OP-R:ASS'Y	U002_S007	14	1	O/O			
			D1491488	PCB:OP-R:ASS'Y	D1461488	PCB:OP-R:ASS'Y	U002_S008	14	1	O/O			
			D1491488	PCB:OP-R:ASS'Y	D1461488	PCB:OP-R:ASS'Y	U002_S009	14	1	O/O			
201503-04	1503 Modification	-	D1761411	(D176/D177-NA,-AA):OPERATION PANEL:ASS'Y	D1761421	(C2003SP/C2503SP-NA,-AA):OPERATION SUB-UNIT:ME-C1XYZ:ASS'Y	U002_S001	38	1	O/O			ModelMETC1yzk:
			D1761411	(D176/D177-NA,-AA):OPERATION PANEL:ASS'Y	D1761421	(C2003SP/C2503SP-NA,-AA):OPERATION SUB-UNIT:ME-C1XYZ:ASS'Y	U002_S002	38	1	O/O			

## Design Change List

Number	Title	Set	Old Part		New Part		Index No.		Q'ty	Interchg		Reason	Cut-in S/N
			P/N	Name	P/N	Name	Group	ID		Indiv.	Set		
		-				'Y							
201503-05	1503 Modification	-	D1752812	(-EU,-AA,-CHN,-TWN):PAPER TRAY:NO.2:ASS'Y	D2372812	(C2011SP-TWN/-CHN/-EU/-AA):PAPER TRAY:NO.2:ASS'Y	U004	130	1	O/O			ModelMETC1yzk:
			D1752812	(-EU,-AA,-CHN,-TWN):PAPER TRAY:NO.2:ASS'Y	D2372812	(C2011SP-TWN/-CHN/-EU/-AA):PAPER TRAY:NO.2:ASS'Y	U004	130	1	O/O			
			D1752812	(-EU,-AA,-CHN,-TWN):PAPER TRAY:NO.2:ASS'Y	D2372812	(C2011SP-TWN/-CHN/-EU/-AA):PAPER TRAY:NO.2:ASS'Y	U004	130	1	O/O			
			D1752812	(-EU,-AA,-CHN,-TWN):PAPER TRAY:NO.2:ASS'Y	D2372812	(C2011SP-TWN/-CHN/-EU/-AA):PAPER TRAY:NO.2:ASS'Y	U004	130	1	O/O			
201503-07	1503 Modification	-	D2375604	(D237):PCB:CTL:EXP:SUB-ASS'Y	D2375675	PCB:CTL:METIS-C1K:EXP(C2011)	U015	70	4				ModelMETC1yzk:
201502-01	1502 Modification	-			D1494639	STAY:CONTACT POINT:DUPLX	U013_S001	190	1				ModelMETC1yzk:
201502-02	1502 Modification	-	D1495786	BRACKET:HDD	D1485786	BRACKET:HDD	U015	51	1	X/O			ModelMETC1yzk:
201502-03	1502 Modification	-	D1495220	HARNESS:OPERATION PANEL:ASS'Y	D1495225	HARNESS:OPERATION SUB-UNIT:ASS'Y	P to P 5E (2/2)		1	O/O			ModelMETC1yzk:
201501-01	1501 Modification	-	D1492615	GUIDE PLATE:SEPARATOR:ASS'Y	D1494815	GUIDE PLATE:SEPARATOR:ASS'Y	U013_S001_S003	65	1	X/O			ModelMETC1yzk:
201501-02	1501 Modification	-	D1776005	TRANSFER UNIT:INTERMEDIATE TRANSFER:ASS'	D1776006	TRANSFER UNIT:INTERMEDIATE TRANSFER:ASS'	U008_S004	38	1	O/O			ModelMETC1yzk:

## Design Change List

Number	Title	Set	Old Part		New Part		Index No.		Q'ty	Interchg		Reason	Cut-in S/N
			P/N	Name	P/N	Name	Group	ID		Indiv.	Set		
		-		Y		Y							
201501-03	1501 Modification	-	D1491244	COVER:FRONT:RIGHT UPPER	D1501244	COVER:FRONT:RIGHT UPPER	U001	19	1	O/O			ModelMETC1yzk:
201501-04	1501 Modification	-	D2371415	(D237-TWN):OPERATION PANEL:SH:TWN:ASS'Y	D2371405	(D237-TWN):OPERATION PANEL:SH:TWN:ASS'Y	U002_S009	50	1	O/O			ModelMETC1yzk:
201501-05	1501 Modification	-	D2371414	(D237-CHN):OPERATION PANEL:SH:CHN:ASS'Y	D2371404	(D237-CHN):OPERATION PANEL:SH:CHN:ASS'Y	U002_S007	49	1	O/O			ModelMETC1yzk:
201501-06	1501 Modification	-	D2371413	(D237-AA):OPERATION PANEL:SH:AA:ASS'Y	D2371403	(D237-AA):OPERATION PANEL:SH:AA:ASS'Y	U002_S006	48	1	O/O			ModelMETC1yzk:
201501-07	1501 Modification	-			D1496044	DENSITY SENSOR:ASS'Y	U008_S001	41	1	O/O			ModelMETC1yzk:
201501-08	1501 Modification	-	D1475795	RACK:MIDDLE:ASS'Y			U015	76	1	O/O			ModelMETC1yzk:
201501-09	1501 Modification	-			D1754514	DUPLEX UNIT:EXPORT:ASS'Y	U013	189	1				ModelMETC1yzk:
201412-01	1412 Modification	-			D1496206	TRANSFER/SEPARATION UNIT:ASS'Y	U010_S001	49	1	O/O			ModelMETC1yzk:
201412-02	1412 Modification	-	D1771271	INNER COVER:TONER BOTTLE	D1771276	INNER COVER:TONER BOTTLE	U001	59	1	X/O			ModelMETC1yzk:
201412-03	1412 Modification	-	D1764006	(-EU,-AA,-CHN):FUSING UNIT:XYZ:SERVICE	D1764010	(-EU,-AA,-CHN):FUSING UNIT:EU:XYZ:SERVICE	U011_S001	76	1	O/O			ModelMETC1yzk:
			D1764006	(-EU,-AA,-CHN):FUSING UNIT:XYZ:SERVICE	D1764010	(-EU,-AA,-CHN):FUSING UNIT:EU:XYZ:SERVICE	U011_S002	76	1	O/O			
			D1764006	(-EU,-AA,-CHN):FUSING UNIT:XYZ:SERVICE	D1764010	(-EU,-AA,-CHN):FUSING UNIT:EU:XYZ:SERVICE	U011_S004	76	1	O/O			

## Design Change List

Number	Title	Set	Old Part		New Part		Index No.		Q'ty	Interchg		Reason	Cut-in S/N
			P/N	Name	P/N	Name	Group	ID		Indiv.	Set		
		-		USING UNIT:XYZ :SERVICE		USING UNIT:EU: XYZ:SERVICE							
201412-04	1412 Modification	-			D1496345	CAM:SHUTTER:T M SENSOR	U008_S004	40	1				ModelMETC1yzk:
201412-05	1412 Modification	-			D1475796	RACK:MIDDLE	U015	77	1				ModelMETC1yzk:
201411-01	1411 Modification	-	D1491478	PCB:OP-L:ASS'Y	D1491468	PCB:OP-L:USB:A SS'Y	U002_S001	13	1	O/O			ModelMETC1yzk:
			D1491478	PCB:OP-L:ASS'Y	D1491468	PCB:OP-L:USB:A SS'Y	U002_S002	13	1	O/O			
			D1491478	PCB:OP-L:ASS'Y	D1491468	PCB:OP-L:USB:A SS'Y	U002_S003	13	1	O/O			
			D1491478	PCB:OP-L:ASS'Y	D1491468	PCB:OP-L:USB:A SS'Y	U002_S004	13	1	O/O			
			D1491478	PCB:OP-L:ASS'Y	D1491468	PCB:OP-L:USB:A SS'Y	U002_S005	13	1	O/O			
			D1491478	PCB:OP-L:ASS'Y	D1491468	PCB:OP-L:USB:A SS'Y	U002_S006	13	1	O/O			
			D1491478	PCB:OP-L:ASS'Y	D1491468	PCB:OP-L:USB:A SS'Y	U002_S007	13	1	O/O			
			D1491478	PCB:OP-L:ASS'Y	D1491468	PCB:OP-L:USB:A SS'Y	U002_S008	13	1	O/O			
			D1491478	PCB:OP-L:ASS'Y	D1491468	PCB:OP-L:USB:A SS'Y	U002_S009	13	1	O/O			
201411-02	1411 Modification	-	D1484444	GUIDE PLATE:EX IT:UPPER	D1484441	GUIDE PLATE:EX IT:UPPER	U012_S002	60	1	X/O			ModelMETC1yzk:
201411-03	1411 Modification	-	11050488	HARNESS CLAM P	11050517	HARNESS CLAM P - LWS-2111Z	U003	7	1	O/O			ModelMETC1yzk:
201411-04	1411 Modification	-			D1475795	RACK:MIDDLE:A SS'Y	U015	76	1				ModelMETC1yzk:
201411-05	1411 Modification	-			D1494396	BRACKET:SENS	U011	88	1				ModelMETC1yzk:

## Design Change List

Number	Title	Set	Old Part		New Part		Index No.		Q'ty	Interchg		Reason	Cut-in S/N
			P/N	Name	P/N	Name	Group	ID		Indiv.	Set		
		-				OR:LIGHT SHIELDING PLATE							
201411-06	1411 Modification	-			D1476215	GUIDE PLATE:TRANSFER:SECOND:ASS'Y	U010_S001	48	1				ModelMETC1yzk:
201410-01	1410 Modification	-	D1752894	(-EU,-AA,-CHN,-TWN):PAPER TRAY:NO.2:ASS'Y	D1752812	(-EU,-AA,-CHN,-TWN):PAPER TRAY:NO.2:ASS'Y	U004	124	1	X/O			ModelMETC1yzk:
							U004_S008	124	1				
			D1752894	(-EU,-AA,-CHN,-TWN):PAPER TRAY:NO.2:ASS'Y	D1752812	(-EU,-AA,-CHN,-TWN):PAPER TRAY:NO.2:ASS'Y	U004	124	3	X/O			
							U004_S009	124	1				
201410-02	1410 Modification	-	D1494716	SIDE FENCE:FRONT:ASS'Y	D1494835	SIDE FENCE:FRONT:ASS'Y	U013_S001_S004_S001	135	1	X/O		ModelMETC1yzk:	
201410-03	1410 Modification	-	D1494673	GUIDE PLATE:DRIVEN	D1484673	GUIDE PLATE:DRIVEN	U013_S001	114	1	X/O		ModelMETC1yzk:	
201410-04	1410 Modification	-			D1471107	DC SOLENOID:ASS'Y	U014_S003	30	1			ModelMETC1yzk:	
201410-05	1410 Modification	-	D1496175	TONER OUTLET UNIT:BELT CLEANING:ASS'Y	D1496370	TONER OUTLET UNIT:BELT CLEANING:ASS'Y	U008_S003	39	1	X/O		ModelMETC1yzk:	
201410-06	1410 Modification	-	D1494458	ROLLER:DRIVEN:EXIT	D2024458	ROLLER:DRIVEN:EXIT	U012_S002	37	4	X/O		ModelMETC1yzk:	
201409-01	1409 Modification	-	D1752808	(-NA):PAPER TRAY:NO.2:ASS'Y	D1752813	(-NA):PAPER TRAY:NO.2:ASS'Y	U004_S007	118	1	X/O		ModelMETC1yzk:	
201409-02	1409 Modification	-	D1494824	MANUAL FEED TABLE:EXP:ASS'Y	D1494834	MANUAL FEED TABLE:EXP:ASS'Y	U013_S001	184	1	X/O		ModelMETC1yzk:	
201409-03	1409 Modification	-			D1494899	SHEET:RACK:MANUAL FEED	U013_S001_S004	188	1			ModelMETC1yzk:	
201409-04	1409 Modification	-			D1494851	DECAL:SIDE FEN	U013_S001	187	1			ModelMETC1yzk:	

## Design Change List

Number	Title	Set	Old Part		New Part		Index No.		Q'ty	Interchg		Reason	Cut-in S/N
			P/N	Name	P/N	Name	Group	ID		Indiv.	Set		
		-				CE:GRIP:MANUAL FEED	_S004_S001						
201409-05	1409 Modification	-	D1441085	STEPPED SCREW:M3	D1494235	STEPPED SCREW:M3	U011_S001	45	1	O/O			ModelMETC1yzk:
			D1441085	STEPPED SCREW:M3	D1494235	STEPPED SCREW:M3	U011_S001	45	1	O/O			
			D1441085	STEPPED SCREW:M3	D1494235	STEPPED SCREW:M3	U011_S002	45	1	O/O			
			D1441085	STEPPED SCREW:M3	D1494235	STEPPED SCREW:M3	U011_S002	45	1	O/O			
			D1441085	STEPPED SCREW:M3	D1494235	STEPPED SCREW:M3	U011_S003	45	1	O/O			
			D1441085	STEPPED SCREW:M3	D1494235	STEPPED SCREW:M3	U011_S003	45	1	O/O			
			D1441085	STEPPED SCREW:M3	D1494235	STEPPED SCREW:M3	U011_S004	45	1	O/O			
			D1441085	STEPPED SCREW:M3	D1494235	STEPPED SCREW:M3	U011_S004	45	1	O/O			
			D1441085	STEPPED SCREW:M3	D1494235	STEPPED SCREW:M3	U011_S005	45	1	O/O			
			D1441085	STEPPED SCREW:M3	D1494235	STEPPED SCREW:M3	U011_S005	45	1	O/O			
201409-06	1409 Modification	-	D1754406	PAPER EXIT UNIT:XYZ:ASS'Y	D1754408	PAPER EXIT UNIT:XYZ:ASS'Y	U012_S002	59	1	X/O			ModelMETC1yzk:
201409-07	1409 Modification	-			D7390116	(-NA):HEATER:PHOTOCONDUCTOR:NA:ADHESION	HEATER	5	1				ModelMETC1yzk:
201409-08	1409 Modification	-			D7390117	(-EU,-AA,-CHN):HEATER:PHOTOC	HEATER	6	1				ModelMETC1yzk:

## Design Change List

Number	Title	Set	Old Part		New Part		Index No.		Q'ty	Interchg		Reason	Cut-in S/N
			P/N	Name	P/N	Name	Group	ID		Indiv.	Set		
		-				ONDUCTOR:EU: ADHESION							
					D7390117	(-EU,-AA,-CHN):H EATER:PHOTOC ONDUCTOR:EU: ADHESION	HEATER	6	1				
					D7390117	(-EU,-AA,-CHN):H EATER:PHOTOC ONDUCTOR:EU: ADHESION	HEATER	6	1				
201409-09	1409 Modification	-			D7390502	(-EU,-AA,-CHN):E LECTRICAL COM PONENTS SECTI ON:EU:ASS'Y							ModelMETC1yzk:
					D7390502	(-EU,-AA,-CHN):E LECTRICAL COM PONENTS SECTI ON:EU:ASS'Y							
					D7390502	(-EU,-AA,-CHN):E LECTRICAL COM PONENTS SECTI ON:EU:ASS'Y							
201409-10	1409 Modification	-			D7390501	(D176/D177-NA)(- TWN):ELECTRIC AL COMPONENT S SECTION:NA:A SS'Y							ModelMETC1yzk:
201510-01	1510 Modification	-	D1473275	(D237):(D176/D17 7-CHN):TRANSP ORT SCREW:NO	D1473285	(D237):(D176/D17 7-CHN):TRANSP ORT SCREW:NO	U007_S025	13	1	O/O			ModelMETC1yzk:



## Design Change List

Number	Title	Set	Old Part		New Part		Index No.		Q'ty	Interchg		Reason	Cut-in S/N
			P/N	Name	P/N	Name	Group	ID		Indiv.	Set		
		-		ZZLE:BK:ASS'Y		ZZLE:BK:ASS'Y							
			D1473275	(D237):(D176/D177-CHN):TRANSPORT SCREW:NO ZZLE:BK:ASS'Y	D1473285	(D237):(D176/D177-CHN):TRANSPORT SCREW:NO ZZLE:BK:ASS'Y	U007_S029	13	1	O/O			
			D1473275	(D237):(D176/D177-CHN):TRANSPORT SCREW:NO ZZLE:BK:ASS'Y	D1473285	(D237):(D176/D177-CHN):TRANSPORT SCREW:NO ZZLE:BK:ASS'Y	U007_S030	13	1	O/O			
			D1473275	(D237):(D176/D177-CHN):TRANSPORT SCREW:NO ZZLE:BK:ASS'Y	D1473285	(D237):(D176/D177-CHN):TRANSPORT SCREW:NO ZZLE:BK:ASS'Y	U007_S031	13	1	O/O			
201510-02	1510 Modification	-	D1491282	COVER:SCANNER:UPPER:FRONT	D1501282	COVER:SCANNER:UPPER:FRONT	U001	38	1	O/O			ModelMETC1yzk:
201510-03	1510 Modification	-	D1765675	(D176):PCB:CTL:EXP	D1885215	(D176):PCB:Y:JL1_CTL(AR):EXP	U015	58	1	O/O			ModelMETC1yzk:
201510-04	1510 Modification	-	D1496141	CLEANING UNIT:INTERMEDIATE TRANSFER	D2416141	CLEANING UNIT:BELT CLEANING:C2:ASS'Y	U008_S002	17	1	O/O			ModelMETC1yzk:
201510-05	1510 Modification	-	D1491427	TOUCH PANEL:WVGA-9:MV	D1491428	TOUCH PANEL:WVGA-9:MV	U002_S001	12	1	O/O			ModelMETC1yzk:
			D1491427	TOUCH PANEL:WVGA-9:MV	D1491428	TOUCH PANEL:WVGA-9:MV	U002_S002	12	1	O/O			
			D1491427	TOUCH PANEL:WVGA-9:MV	D1491428	TOUCH PANEL:WVGA-9:MV	U002_S003	12	1	O/O			
			D1491427	TOUCH PANEL:WVGA-9:MV	D1491428	TOUCH PANEL:WVGA-9:MV	U002_S004	12	1	O/O			
			D1491427	TOUCH PANEL:WVGA-9:MV	D1491428	TOUCH PANEL:WVGA-9:MV	U002_S005	12	1	O/O			

## Design Change List

Number	Title	Set	Old Part		New Part		Index No.		Q'ty	Interchg		Reason	Cut-in S/N
			P/N	Name	P/N	Name	Group	ID		Indiv.	Set		
		-	D1491427	TOUCH PANEL: WVGA-9:MV	D1491428	TOUCH PANEL: WVGA-9:MV	U002_S006	12	1	O/O			
		-	D1491427	TOUCH PANEL: WVGA-9:MV	D1491428	TOUCH PANEL: WVGA-9:MV	U002_S007	12	1	O/O			
		-	D1491427	TOUCH PANEL: WVGA-9:MV	D1491428	TOUCH PANEL: WVGA-9:MV	U002_S008	12	1	O/O			
		-	D1491427	TOUCH PANEL: WVGA-9:MV	D1491428	TOUCH PANEL: WVGA-9:MV	U002_S009	12	1	O/O			
201510-06	1510 Modification	-	D1484750	BRACKET:MOTO R:DUPLEX:PEEN	D1494750	(D176/D177):BRA CKET:MOTOR:D UPLEX	U013	157	1	O/O			ModelMETC1yzk:
201510-07	1510 Modification	-	D1775057	(D176/D177):PCB :IOB:ENGINE	D1775059	(D176/D177):PCB :IOBENGINE:SER VICE:ASS'Y	U015	75	1	O/O			ModelMETC1yzk:
201510-08	1510 Modification	-	D1495372	HARNESS:FFC:B CU:IMAGING:IF5 0	D1495389	HARNESS:FFC:B CU:IMAGING:IF5 0	C9(1/2)		1	O/O			ModelMETC1yzk:
201510-09	1510 Modification	-	D1775695	(D177 Smart Oper ation Panel):PCB: CTL:CH:EXP	D1885237	(D177 Smart Oper ation Panel):PCB: Z:JL1_CTL(CH)	U015	67	1	O/O			ModelMETC1yzk:
201511-01	1511 Modification	-	D1494774	COVER:MANUAL FEED TABLE	D1484774	COVER:MANUAL FEED TABLE	U013_S001 _S004	167	1	O/O			ModelMETC1yzk:
201511-02	1511 Modification	-	D1752729	PAPER FEED UN IT:EXP:NO.1:ASS' Y	D1752733	PAPER FEED UN IT:NO.1:ASS'Y	U004_S004	114	1	O/O			ModelMETC1yzk:
201511-03	1511 Modification	-	D1752730	PAPER FEED UN IT:EXP:NO.2:ASS' Y	D1752734	PAPER FEED UN IT:NO.2:ASS'Y	U004_S005	115	1	O/O			ModelMETC1yzk:
201511-04	1511 Modification	-	D1765057	(D237):PCB:IOB: ENGINE	D1765059	(D237):PCB:IOBE NGINE:SERVICE:	U015	74	4	O/O			ModelMETC1yzk:

## Design Change List

Number	Title	Set	Old Part		New Part		Index No.		Q'ty	Interchg		Reason	Cut-in S/N
			P/N	Name	P/N	Name	Group	ID		Indiv.	Set		
		-				ASS'Y							
201511-05	1511 Modification	-	D1471750	SHEET:GAP:ASS'Y	D2411727	SHEET:GAP:ASS'Y	U003	27	1	O/O			ModelMETC1yzk:
201511-06	1511 Modification	-	D1497937	FILTER:PREVENTFENCE	D1477937	FILTER:PREVENTFENCE:10	U016_S001	27	1	O/O			ModelMETC1yzk:
201511-07	1511 Modification	-	D1765695	(D176 Smart Operation Panel):PCB:CTL:CH:EXP	D1885236	(D176 Smart Operation Panel):PCB:Y:JL1_CTL(CH)	U015	59	1	O/O			ModelMETC1yzk:
201511-08	1511 Modification	-	D1494644	GEAR:MECHANICAL ROLLER CLUTCH	D2024644	GEAR:MECHANICAL ROLLER CLUTCH	U013_S001	100	1	X/O			ModelMETC1yzk:
201511-09	1511 Modification	-	D1494707	GEAR:FEED:MANUAL FEED:DRIVE	D2024717	GEAR:FEED:MANUAL FEED:DRIVE	U013_S001	128	1	X/O			ModelMETC1yzk:
201511-10	1511 Modification	-	D1494708	GEAR:SEPARATOR:MANUAL FEED:DRIVE	D2024718	GEAR:SEPARATOR:MANUAL FEED:DRIVE	U013_S001	129	1	X/O			ModelMETC1yzk:
201511-11	1511 Modification	-	D1494709	GEAR:TRANSPORT ROLLER:MANUAL FEED	D2024719	GEAR:TRANSPORT ROLLER:MANUAL FEED	U013_S001	130	1	X/O			ModelMETC1yzk:
201511-12	1511 Modification	-	D1773276	(D176/D177-NA,-EU,-AA,-TWN):TRANSPORT SCREW:NOZZLE:XYZ:CMY:ASS'Y	D1773286	(D176/D177-NA,-EU,-AA,-TWN):TRANSPORT SCREW:NOZZLE:CMY:ASS'Y	U007_S010	32	1	O/O			ModelMETC1yzk:
			D1773276	(D176/D177-NA,-EU,-AA,-TWN):TRANSPORT SCREW:NOZZLE:XYZ:CMY:ASS'Y	D1773286	(D176/D177-NA,-EU,-AA,-TWN):TRANSPORT SCREW:NOZZLE:CMY:ASS'Y	U007_S011	32	1	O/O			

## Design Change List

Number	Title	Set	Old Part		New Part		Index No.		Q'ty	Interchg		Reason	Cut-in S/N
			P/N	Name	P/N	Name	Group	ID		Indiv.	Set		
		-	D1773276	(D176/D177-NA,-EU,-AA,-TWN):TRANSPORT SCREW:NOZZLE:XYZ:CMY:ASS'Y	D1773286	(D176/D177-NA,-EU,-AA,-TWN):TRANSPORT SCREW:NOZZLE:CMY:ASS'Y	U007_S012	32	1	O/O			
			D1773276	(D176/D177-NA,-EU,-AA,-TWN):TRANSPORT SCREW:NOZZLE:XYZ:CMY:ASS'Y	D1773286	(D176/D177-NA,-EU,-AA,-TWN):TRANSPORT SCREW:NOZZLE:CMY:ASS'Y	U007_S016	32	1	O/O			
			D1773276	(D176/D177-NA,-EU,-AA,-TWN):TRANSPORT SCREW:NOZZLE:XYZ:CMY:ASS'Y	D1773286	(D176/D177-NA,-EU,-AA,-TWN):TRANSPORT SCREW:NOZZLE:CMY:ASS'Y	U007_S017	32	1	O/O			
			D1773276	(D176/D177-NA,-EU,-AA,-TWN):TRANSPORT SCREW:NOZZLE:XYZ:CMY:ASS'Y	D1773286	(D176/D177-NA,-EU,-AA,-TWN):TRANSPORT SCREW:NOZZLE:CMY:ASS'Y	U007_S018	32	1	O/O			
			D1773276	(D176/D177-NA,-EU,-AA,-TWN):TRANSPORT SCREW:NOZZLE:XYZ:CMY:ASS'Y	D1773286	(D176/D177-NA,-EU,-AA,-TWN):TRANSPORT SCREW:NOZZLE:CMY:ASS'Y	U007_S019	32	1	O/O			
			D1773276	(D176/D177-NA,-EU,-AA,-TWN):TRANSPORT SCREW:NOZZLE:XYZ:CMY:ASS'Y	D1773286	(D176/D177-NA,-EU,-AA,-TWN):TRANSPORT SCREW:NOZZLE:CMY:ASS'Y	U007_S020	32	1	O/O			

## Design Change List

Number	Title	Set	Old Part		New Part		Index No.		Q'ty	Interchg		Reason	Cut-in S/N
			P/N	Name	P/N	Name	Group	ID		Indiv.	Set		
		-	D1773276	(D176/D177-NA,-EU,-AA,-TWN):TRANSPORT SCREW:NOZZLE:XYZ:CMY:ASS'Y	D1773286	(D176/D177-NA,-EU,-AA,-TWN):TRANSPORT SCREW:NOZZLE:CMY:ASS'Y	U007_S021	32	1	O/O			
		-	D1773276	(D176/D177-NA,-EU,-AA,-TWN):TRANSPORT SCREW:NOZZLE:XYZ:CMY:ASS'Y	D1773286	(D176/D177-NA,-EU,-AA,-TWN):TRANSPORT SCREW:NOZZLE:CMY:ASS'Y	U007_S022	32	1	O/O			
		-	D1773276	(D176/D177-NA,-EU,-AA,-TWN):TRANSPORT SCREW:NOZZLE:XYZ:CMY:ASS'Y	D1773286	(D176/D177-NA,-EU,-AA,-TWN):TRANSPORT SCREW:NOZZLE:CMY:ASS'Y	U007_S023	32	1	O/O			
		-	D1773276	(D176/D177-NA,-EU,-AA,-TWN):TRANSPORT SCREW:NOZZLE:XYZ:CMY:ASS'Y	D1773286	(D176/D177-NA,-EU,-AA,-TWN):TRANSPORT SCREW:NOZZLE:CMY:ASS'Y	U007_S024	32	1	O/O			
201511-13	1511 Modification	-			D2426432	FEELER:COLLECTION BOTTLE	U009_S001	36	1				ModelMETC1yzk:
201511-14	1511 Modification	-	D7390502	(-EU,-AA,-CHN):ELECTRICAL COMPONENTS SECTION:EU:ASS'Y	D7390507	(-EU,-AA,-CHN):ELECTRICAL COMPONENTS SECTION:ASS'Y	HEATER	8	3	X/O			ModelMETC1yzk:
201511-15	1511 Modification	-	D1860402	KIT:HEATER:DEHUMIDIFIER:NA	D1860404	(D176/D177-NA)(-TWN):KIT:HEATER:DEHUMIDIFIER	HEATER	1	2	X/O			ModelMETC1yzk:
201511-16	1511 Modification	-	D1860403	KIT:HEATER:DE	D1860405	(-EU,-AA,-CHN):K	HEATER	2	3	X/O			ModelMETC1yzk:

## Design Change List

Number	Title	Set	Old Part		New Part		Index No.		Q'ty	Interchg		Reason	Cut-in S/N
			P/N	Name	P/N	Name	Group	ID		Indiv.	Set		
		-		HUMIDIFIER:EU		IT:HEATER:DEHUMIDIFIER							
201511-17	1511 Modification	-	D7390501	(D176/D177-NA)(-TWN):ELECTRICAL COMPONENTS SECTION:NA:ASS'Y	D7390506	(D176/D177-NA)(-TWN):ELECTRICAL COMPONENTS SECTION:ASS'Y	HEATER	7	2	X/O			ModelMETC1yzk:
201511-18	1511 Modification	-	D1492661	HARNESS:MANUAL FEED:CONNECTING	D1482661	HARNESS:MANUAL FEED:CONNECTING	C2(1/2)		1	O/O			ModelMETC1yzk:
201511-19	1511 Modification	-			D1475170	PCB:DHB	HEATER	9	1				ModelMETC1yzk:
201511-21	1511 Modification	-	D1497937	FILTER:PREVENTFENCE			U016_S001	27	1				ModelMETC1yzk:

