

Model S-C4  
(D067/D068/D069/D072)  
PARTS CATALOG

First edition, January 2009

Ricoh Company, LTD.

**Model S-C4 (D067/D068/D069/D072)**

**PARTS CATALOG**

This catalog gives the numbers and names of parts on this machine.

Model S-C4	(D067/D068/D069/D072)
ARDF DF1000	(B872)
Platen Cover	(B871)
PS480	(B421)
Options for GW and Others	

**Model S-C4**  
**(D067/D068/D069/D072)**

## Model S-C4 (D067/D068/D069/D072)

### PARTS CATALOG

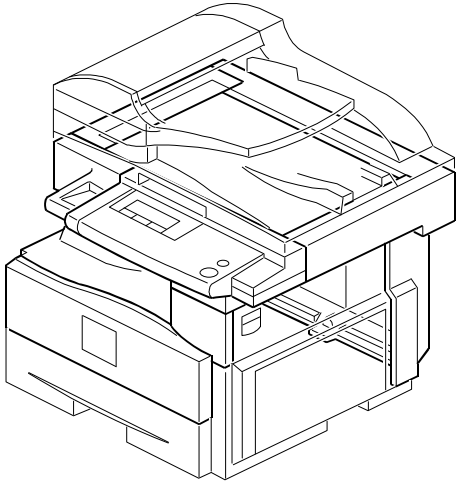
This catalog gives the numbers and names of parts on this machine.

<b>Location of Unit</b> .....	<b>2</b>	18. Drive Section (D067/D068/D069/D072) .....	40
1. Exterior (D067/D068/D069/D072) .....	6	19. Electrical Section (D067/D068/D069/D072) .....	43
2. Operation Panel (D067/D068/D069/D072) .....	8	20. Frame Section (D067/D068/D069/D072) .....	44
3. Operation Panel GW (D068/D069) .....	10	21. Extension Box (D068/D069/D072) .....	46
4. By-pass Feed Unit (D067/D068/D069/D072) .....	12	22. Accessory (D067/D068/D069/D072) .....	48
5. Paper Registration (D067/D068/D069/D072) .....	14	23. CTL Board (D068/D069/D072) .....	50
6. Transport Section (D067/D068/D069/D072) .....	16	24. BICU Board (D067/D068/D069/D072) .....	64
7. Paper Cassette (D067/D068/D069/D072) .....	18	25. GWFCU Board (D067/D068/D069/D072) .....	76
8. ARDF 1 (D068/D069/D072) .....	20	26. Decals And Documents (D067/D068/D069/D072) .....	82
9. ARDF 2 (D068/D069/D072) .....	22	27. Special Tools (D067/D068/D069/D072) .....	84
10. ARDF 3 (D068/D069/D072) .....	24	<b>Parts Index</b> .....	<b>88</b>
11. ARDF 4 (D068/D069/D072) .....	26		
12. ARDF 5 (D068/D069/D072) .....	28		
13. Optics Section 1 (D067/D068/D069/D072) .....	30		
14. Optics Section 2 (D067/D068/D069/D072) .....	32		
15. Laser Unit (D067/D068/D069/D072) .....	34		
16. PCU Section (D067/D068/D069/D072) .....	36		
17. Fusing Unit (D067/D068/D069/D072) .....	38		

January 29, 2009

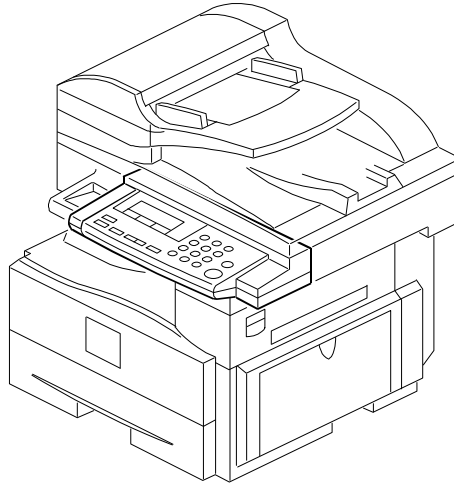
## LOCATIONS OF UNITS

1. Exterior (D067/D068/D069/D072)



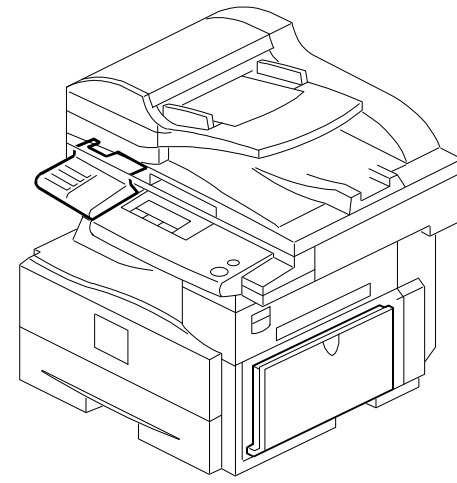
See Page 7

2. Operation Panel (067/D068/D069/D072)



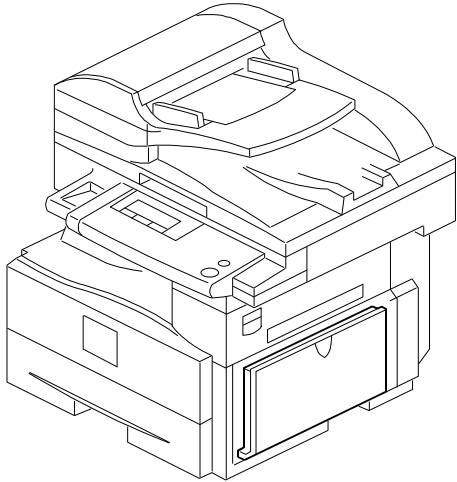
See Page 9

3. Operation Panel GW (D068/D069)



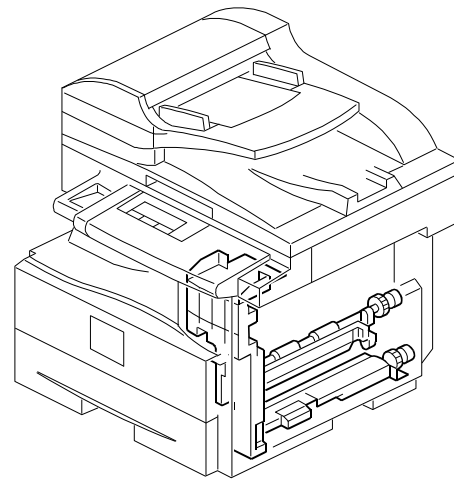
See Page 11

4. By-pass Feed Unit (067/D068/D069/D072)



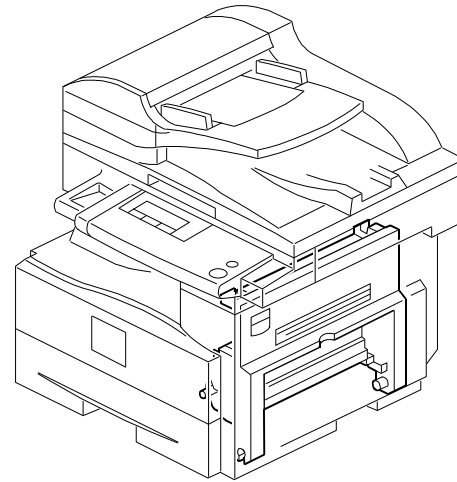
See Page 13

5. Paper Registration (D067/D068/D069/D072)



See Page 15

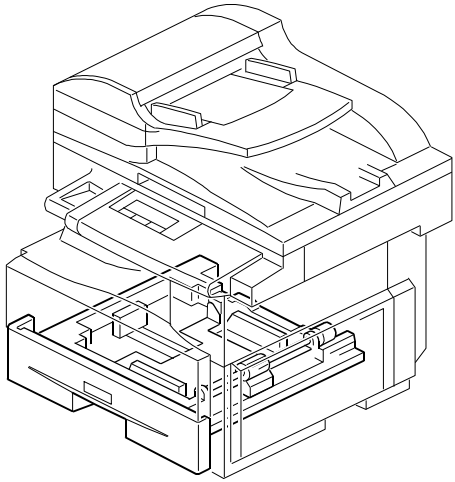
6. Transport Section (D067/D068/D069/D072)



See Page 17

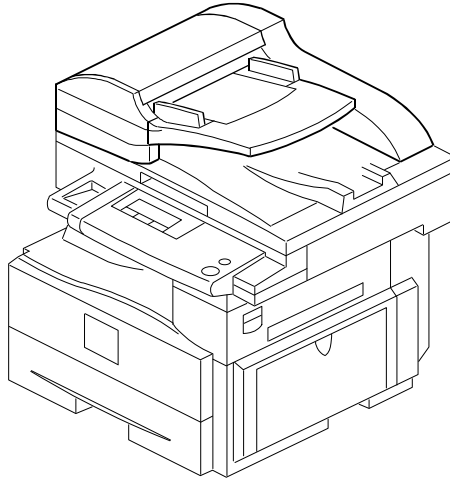
## LOCATIONS OF UNITS

7. Paper Cassette (D067/D068/D069/D072)



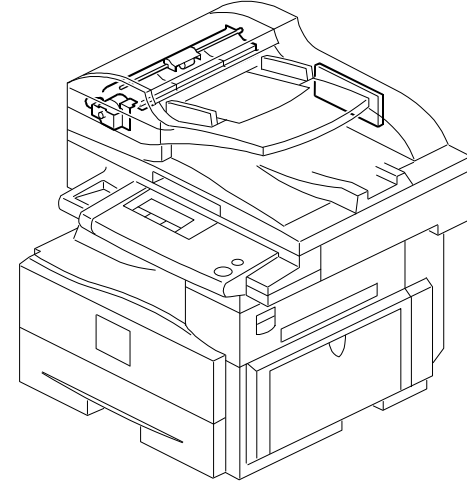
See Page 19

8. ARDF 1 (D068/D069/D072)



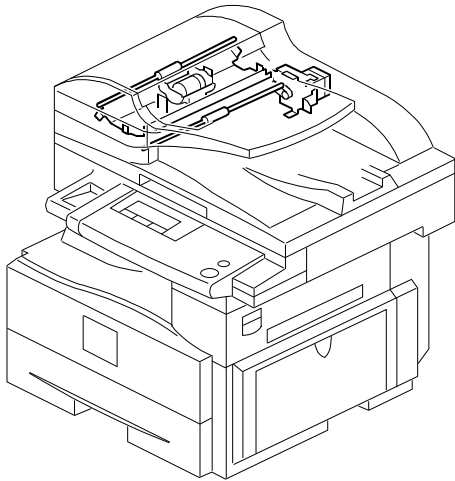
See Page 21

9. ARDF 2 (D068/D069/D072)



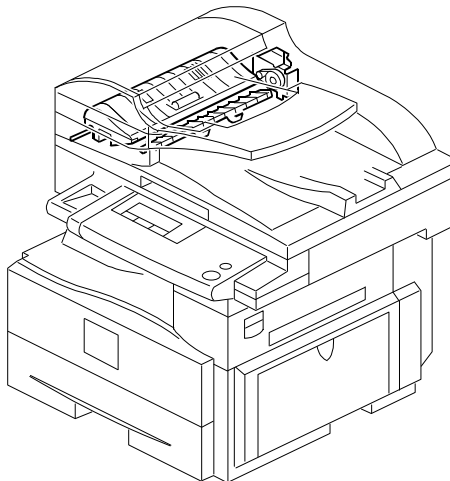
See Page 23

10. ARDF 3 (D068/D069/D072)



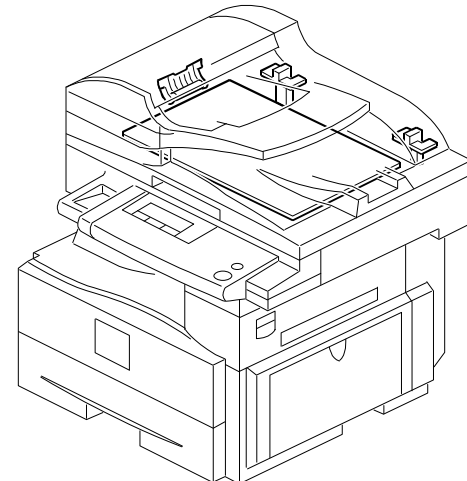
See Page 25

11. ARDF 4 (D068/D069/D072)



See Page 27

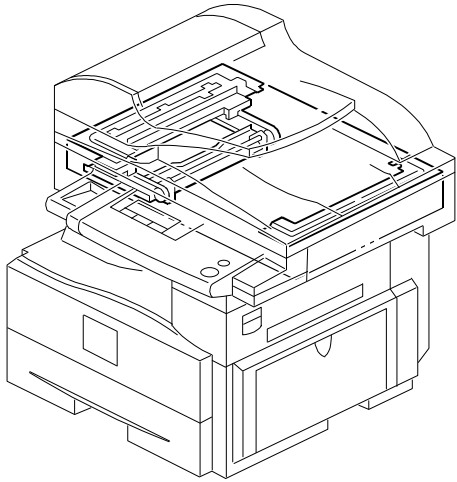
12. ARDF 5 (D068/D069/D072)



See Page 29

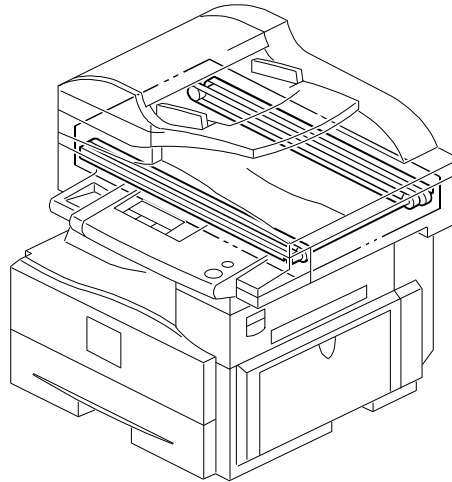
## LOCATIONS OF UNITS

13. Optics Section 1 (D067/D068/D069/D072)



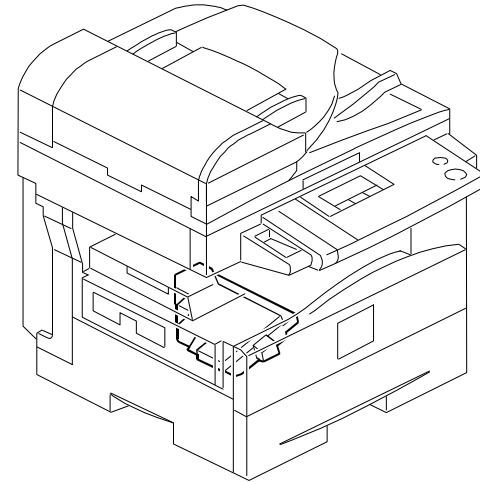
See Page 31

14. Optics Section 2 (D067/D068/D069/D072)



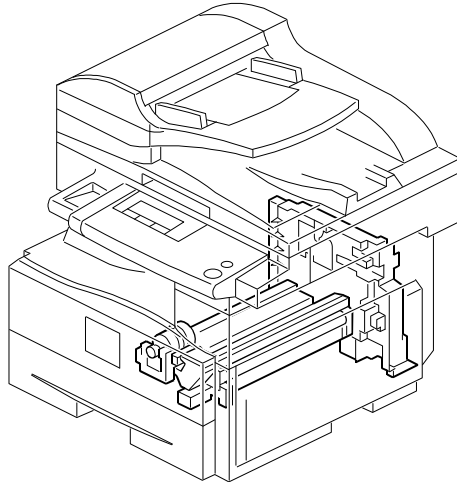
See Page 33

15. Laser Unit (D067/D068/D069/D072)



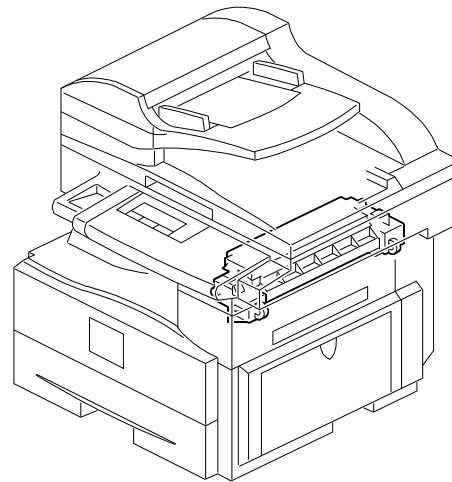
See Page 35

16. PCU Section (D067/D068/D069/D072)



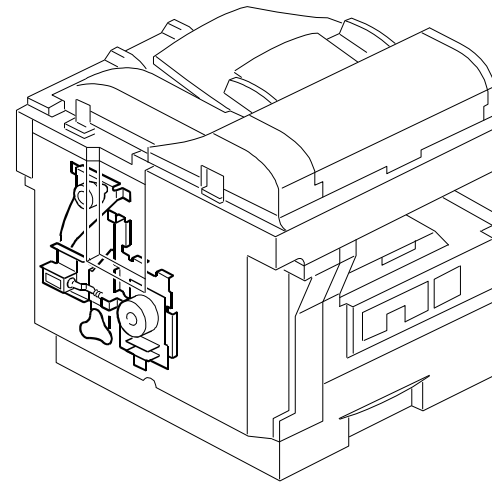
See Page 37

17. Fusing Unit (D067/D068/D069/D072)



See Page 39

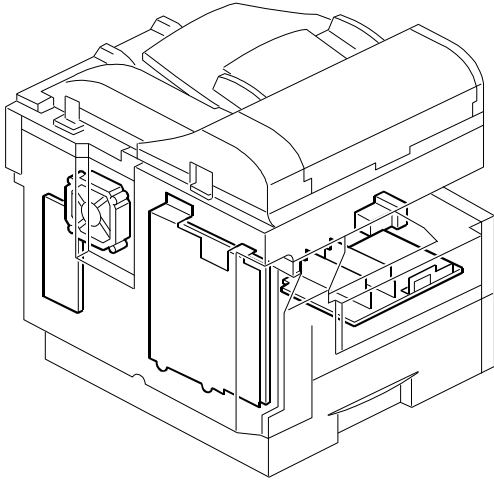
18. Drive Section (D067/D068/D069/D072)



See Page 41

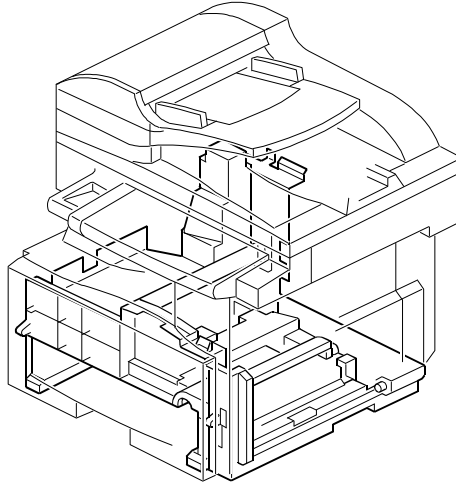
## LOCATIONS OF UNITS

19. Electrical Section (D067/D068/D069/D072)



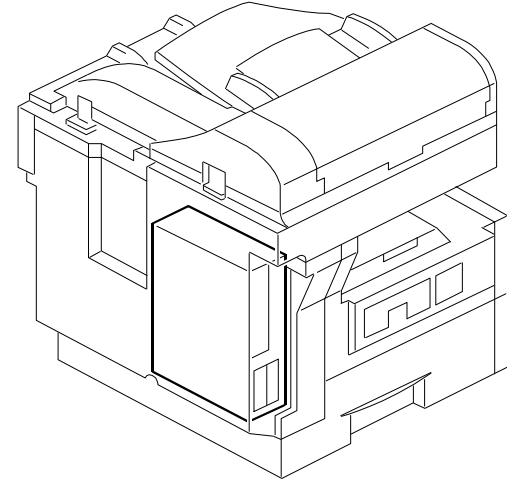
See Page 42

20. Frame Section (D067/D068/D069/D072)



See Page 45

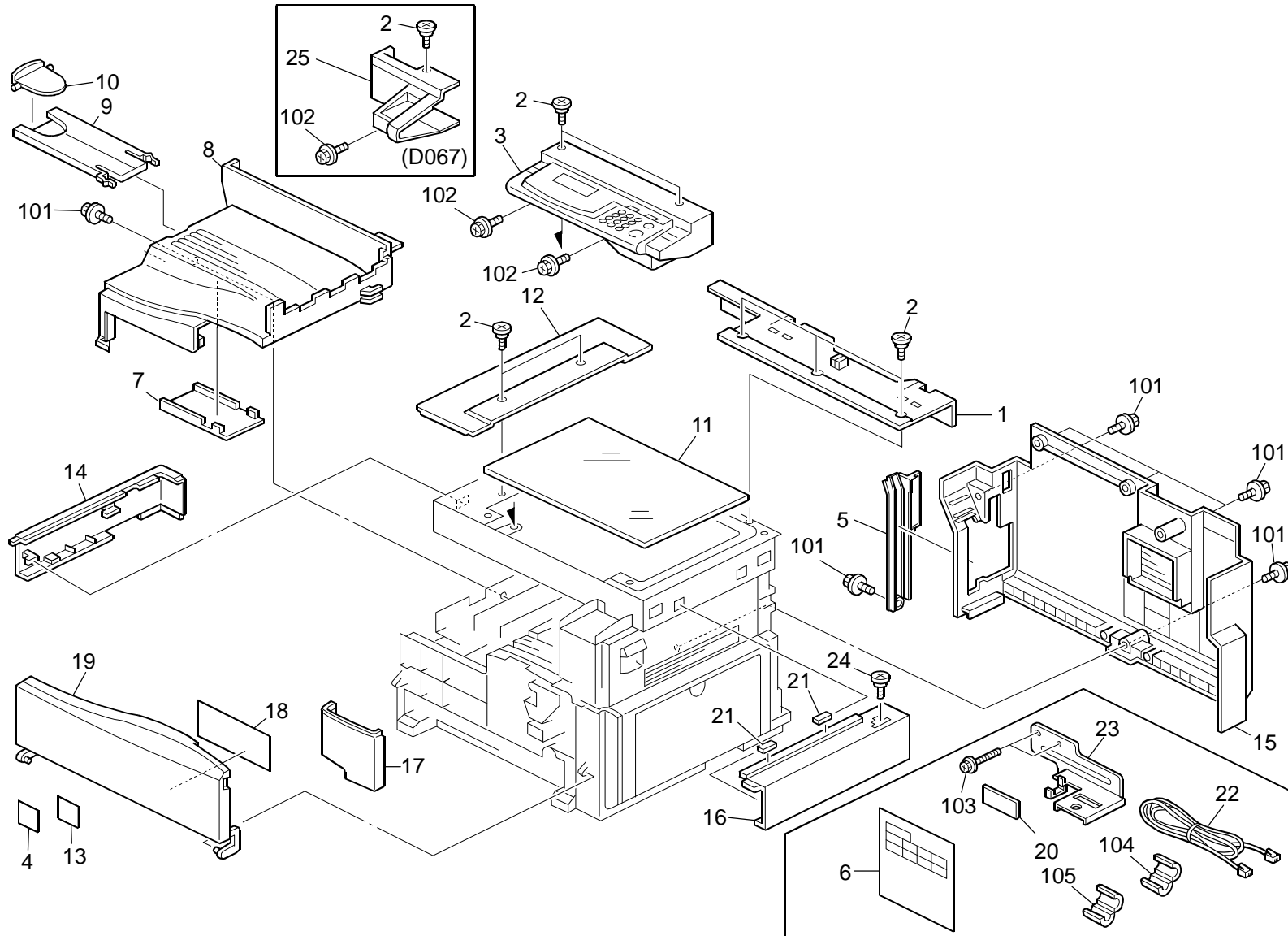
21. Extension Box (D068/D069/D072)



See Page 47



# 1.Exterior (D067/D068/D069/D072)



## 1.Exterior (D067/D068/D069/D072)

Index No.	Part No.	Description	Q'ty Per Assembly
1	B262 1848	Scale:Inner Back:NA	1
1	B262 1847	Scale:Inner Back:EU	1
2	B044 1847	Shoulder Screw	8
3	D067 1433	Operation Panel:EU:D067	1
3	D067 1436	Operation Panel:NA:D068	1
3	D067 1437	Operation Panel:EU:D068	1
3	D067 1438	Operation Panel:AA:D068	1
3	D067 1431	Operation Panel:NA:D069	1
3	D067 1435	Operation Panel:EU:D069	1
3	D067 1434	Operation Panel:AA:D069	1
3	D067 1432	Operation Panel:NA:D072	1
4	D067 7501	Model Name Plate:D067:REX	1
4	D067 7502	Model Name Plate:D067:NSA	1
4	D067 7503	Model Name Plate:D067:GES:EU	1
4	D067 7509	Model Name Plate:D067:INF	1
4	D068 7500	Model Name Plate:D068:RIC	1
4	D068 7501	Model Name Plate:D068:REX	1
4	D068 7502	Model Name Plate:D068:NSA	1
4	D068 7503	Model Name Plate:D068:GES:EU	1
4	D068 7504	Model Name Plate:D068:LAN:AA	1
4	D068 7506	Model Name Plate:D068:GES:NA/AA	1
4	D068 7507	Model Name Plate:D068:LAN:NA	1
4	D068 7508	Model Name Plate:D068:SVN	1
4	D068 7509	Model Name Plate:D068:INF	1
4	D069 7500	Model Name Plate:D069:RIC	1
4	D069 7501	Model Name Plate:D069:REX	1
4	D069 7502	Model Name Plate:D069:NSA	1
4	D069 7503	Model Name Plate:D069:GES:EU	1
4	D069 7504	Model Name Plate:D069:LAN:AA	1
4	D069 7506	Model Name Plate:D069:GES:NA/AA	1
4	D069 7507	Model Name Plate:D069:LAN:NA	1
4	D069 7508	Model Name Plate:D069:SVN	1
4	D069 7509	Model Name Plate:D069:INF	1
4	D072 7500	Model Name Plate:D072:RIC	1
4	D072 7506	Model Name Plate:D072:GES:NA	1

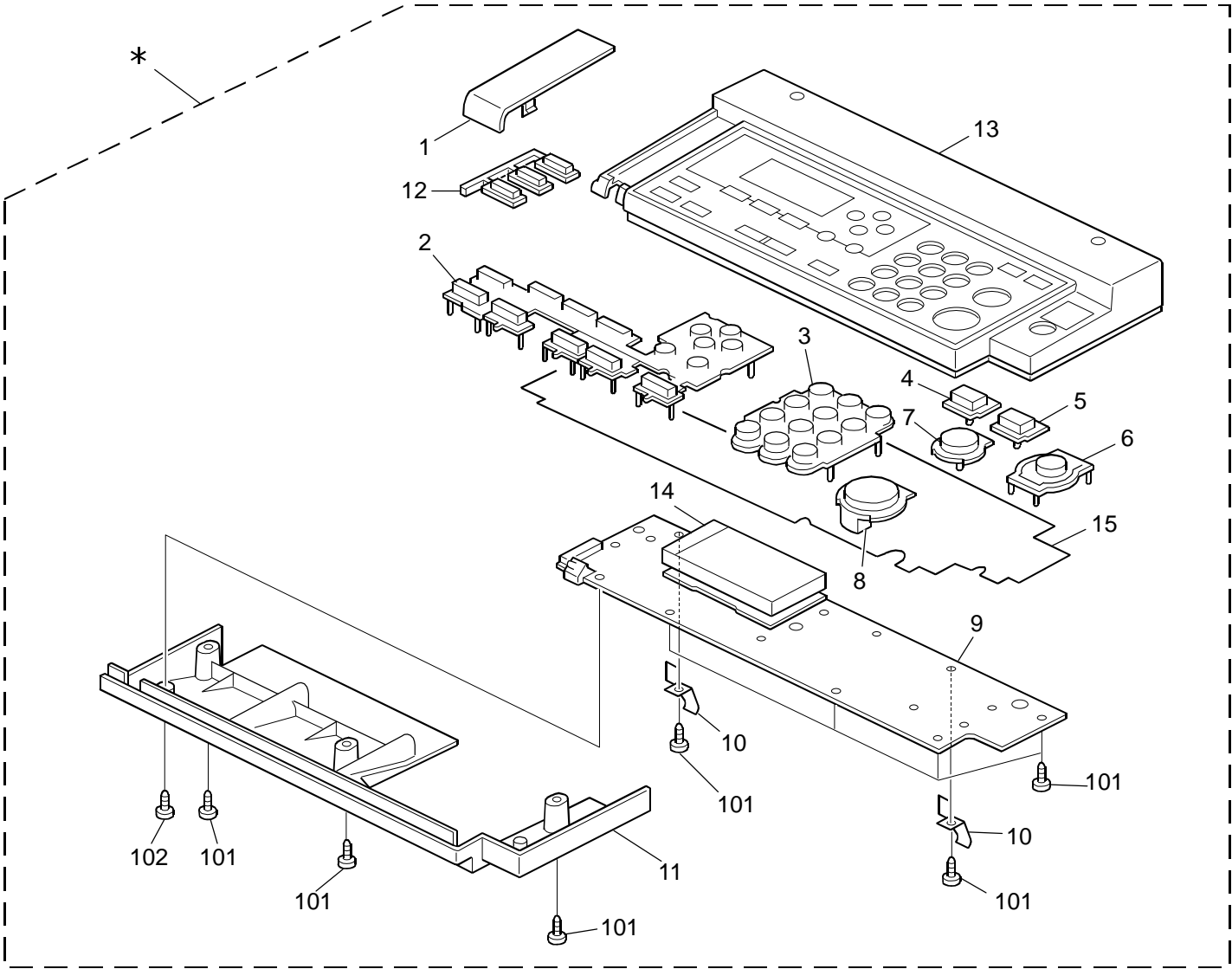
Index No.	Part No.	Description	Q'ty Per Assembly
4	D072 7507	Model Name Plate:D072:LAN:NA	1
5	D072 7508	Model Name Plate:D072:SVN	1
5	D067 1256	Cover:IC Card	1
5	D067 1255	Cover:IC Card:C3	1
6	H555 2790	Decal - Paper Size	1
7	B044 1258	Shielding Plate	1
8	D067 1262	Cover:Exit:NA	1
8	D067 1252	Cover:Exit:EU	1
9	D067 1284	Extension Tray	1
10	D067 1254	End Fence:Paper Exit	1
11	AC01 2070	Exposure Glass	1
12	B262 1802	Scale:Left:EU (D067)	1
13	H310 4120	Plate:Logotype:RIC	1
13	H555 4184	Plate:Logotype:H555:INF	1
13	H555 4185	Plate:Logotype:H555:NSA	1
13	H555 4186	Plate:Logotype:H555:REX	1
13	H555 4187	Plate:Logotype:H555:GES	1
14	B129 1261	Left Scanner Cover NA	1
14	B129 1251	Left Scanner Cover EU	1
15	D067 1250	Cover:Rear	1
16	B262 1266	Cover:Scanner:Right:NA	1
16	B262 1256	Cover:Scanner:Right:EU	1
17	B044 1278	Right Upper Cover	1
18	B044 1290	Sheet - Operation Instructions	1
19	D067 1286	Door:Front	1
20	H310 4120	Plate:Logotype:RIC	1
20	H555 4182	Plate:Logotype:SAV	1
20	H555 4183	Plate:Logotype:H555:LAN	1
20	H555 4184	Plate:Logotype:H555:INF	1
20	H555 4185	Plate:Logotype:H555:NSA	1
20	H555 4186	Plate:Logotype:H555:REX	1
20	H555 4187	Plate:Logotype:H555:GES	1
21	B262 1258	Plate:Exposure Glass	2
22	H523 5350	Telephone Cable	1
23	D068 5821	Bracket:Hand Set	1

Index No.	Part No.	Description	Q'ty Per Assembly
24	B390 1759	Shaft:Scale	1
25	B262 1473	Cover:Fax:Dummy (D067)	1
101	0451 3008N	Tapping Screw - M3x8	
102	0451 3006N	Tapping Screw - 3x6	
103	0450 3010N	Tapping Screw - M3x10	
104	1607 1139	Ferrite Core:RFC-8	
105	1607 1715	Ferrite Core - RFC-5	



Index No.	Part No.	Description	Q'ty Per Assembly



# 2.Operation Panel (D067/D068/D069/D072)

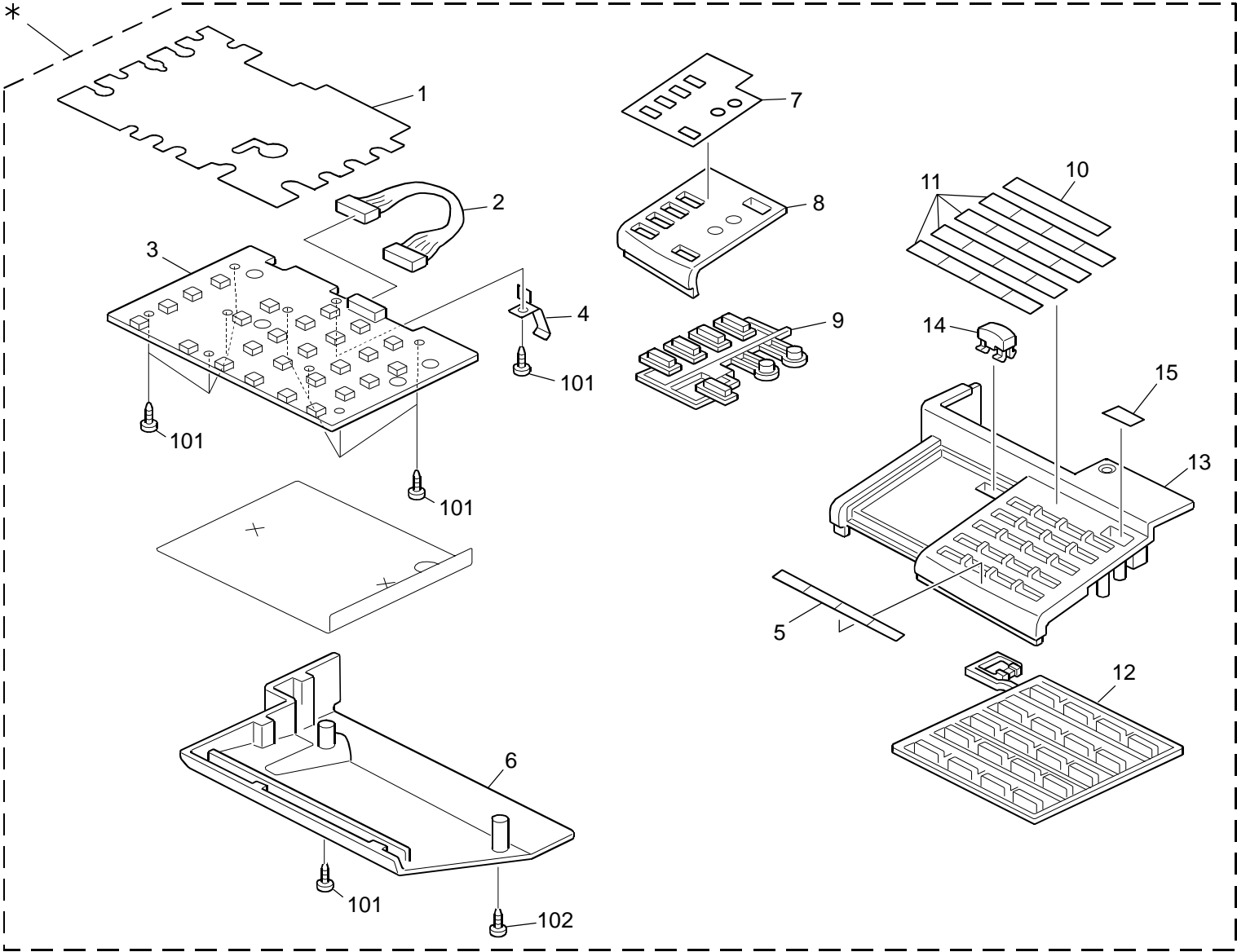


## 2.Operation Panel (D067/D068/D069/D072)

Index No.	Part No.	Description	Q'ty Per Assembly
*	D067 1433	Operation Panel:EU:D067	1
*	D067 1436	Operation Panel:NA:D068	1
*	D067 1437	Operation Panel:EU:D068	1
*	D067 1438	Operation Panel:AA:D068	1
*	D067 1431	Operation Panel:NA:D069	1
*	D067 1435	Operation Panel:EU:D069	1
*	D067 1434	Operation Panel:AA:D069	1
*	D067 1432	Operation Panel:NA:D072	1
1	B262 1471	Cover:On-line:Dummy (D067)	1
1	B262 1474	Cover:On-line:C (D068)	1
1	B262 1479	Cover:On-line:CPS:NA (D069)	1
1	B262 1481	Cover:On-line:CPS:EU (D069)	1
2	B243 1459	Keytop - Cursor	1
3	B229 1475	Keytop - 10key	1
3	B229 1526	Keytop - 10key NA	1
3	B229 1557	Keytop - 10key AA	1
4	B229 1525	Keytop-Initial	1
5	B229 1537	Keytop - Clear Modes	1
6	B243 1458	Keytop - Power Source	1
7	B229 1454	Keytop - Clear/Stop	1
8	B229 1453	Keytop - Start	1
9	D067 1551	PCB:OPU	1
10	B129 1474	Spring Plate - Stl	2
11	B262 1452	Cover:Lower:Basic	1
12	B243 1477	Keytop:Copy:NA (D068)	1
13	B262 1451	Cover:Upper:Basic	1
14	D067 1495	LCD:168x64DOTS	1
15	B262 1455	Sheet:Base:Right	1
			

Index No.	Part No.	Description	Q'ty Per Assembly
101	0452 3010N	Binding Self-Tapping Screw:3x10	
102	0452 3012N	Binding Self-Tapping Screw:M3x12	

### 3.Operation Panel GW (D068/D069)



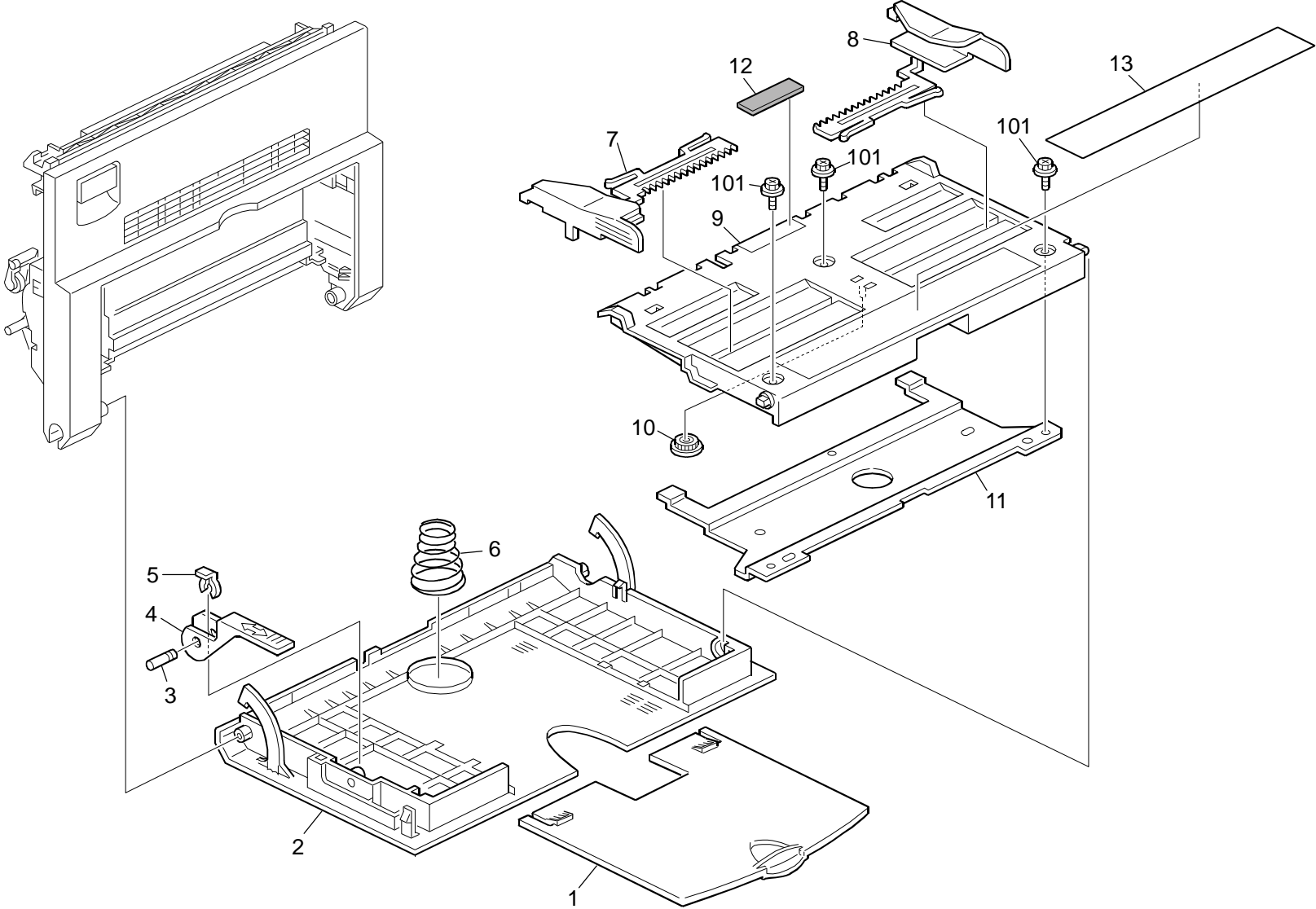
### 3.Operation Panel GW (D068/D069)

Index No.	Part No.	Description	Q'ty Per Assembly
*	D067 1425	Operation Panel:CF:NA/AA:D068	1
*	D067 1424	Operation Panel:CF:EU:D068	1
*	D067 1421	Operation Panel:SpF:NA/AA:D069	1
*	D067 1422	Operation Panel:SpF:EU:D069Y	1
1	B262 1464	Sheet:Base:Left	1
2	D067 5290	Harness:OPU:Expand	1
3	D067 1565	PCB:OPU:EXT	1
4	B129 1474	Spring Plate:STL	1
5	B262 1469	Sheet:Display:Expand:D:NA	1
6	B262 1460	Cover:Lower:Fax	1
7	B262 1470	Sheet:Display:Function:Fax:NA	1
8	B262 1463	Cover:Function:Fax	1
9	B262 1462	Keytop:Function:Fax	1
10	B262 1466	Sheet:Display:Expand:A:NA	1
11	B262 1468	Sheet:Display:Expand:C	1
12	B262 1461	Keytop:Dial:Fax	1
13	B262 1459	Cover:Upper:Fax	1
14	B843 1478	Keytop:Fax:NA	1
14	B843 1479	Keytop:Fax:EU	1
15	B262 1485	Sheet:Display:Expand:B:Blank	1

Index No.	Part No.	Description	Q'ty Per Assembly
101	0452 3010N	Binding Self-Tapping Screw:3x10	
102	0452 3012N	Binding Self-Tapping Screw:M3x12	



4.By-pass Feed Unit (D067/D068/D069/D072)

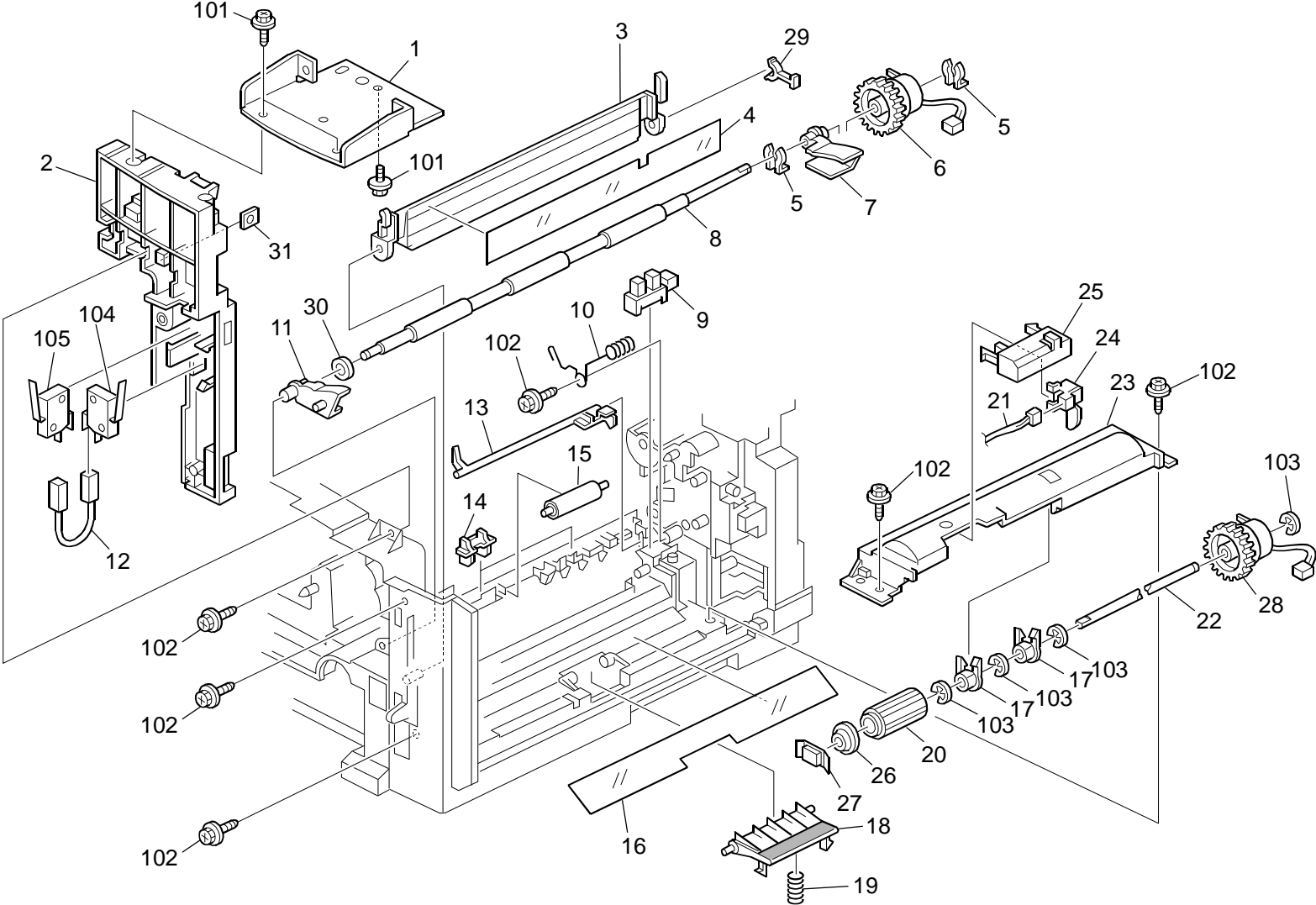


**4.By-pass Feed Unit (D067/D068/D069/D072)**

Index No.	Part No.	Description	Q'ty Per Assembly
1	B044 2808	Paper Guide	1
2	B044 2801	By-pass Feed Table	1
3	B259 2786	Lever Shaft	1
4	B044 2806	Lever - Manual Feed Table	1
5	5447 2681	Snap Ring	1
6	B044 2809	Spring - Manual Feed Table	1
7	B044 2804	Front Side Fence	1
8	B044 2805	Rear Side Fence	1
9	B044 2803	Tray Bottom Plate	1
10	G800 3133	Side Fence Gear	1
11	B044 2807	Stay - Tray Bottom Plate	1
12	5215 2713	Bottom Plate Pad	1
13	AA00 3011	Manual Feed Decal	1

Index No.	Part No.	Description	Q'ty Per Assembly
101	0451 3006N	Tapping Screw - 3x6	

5. Paper Registration (D067/D068/D069/D072)



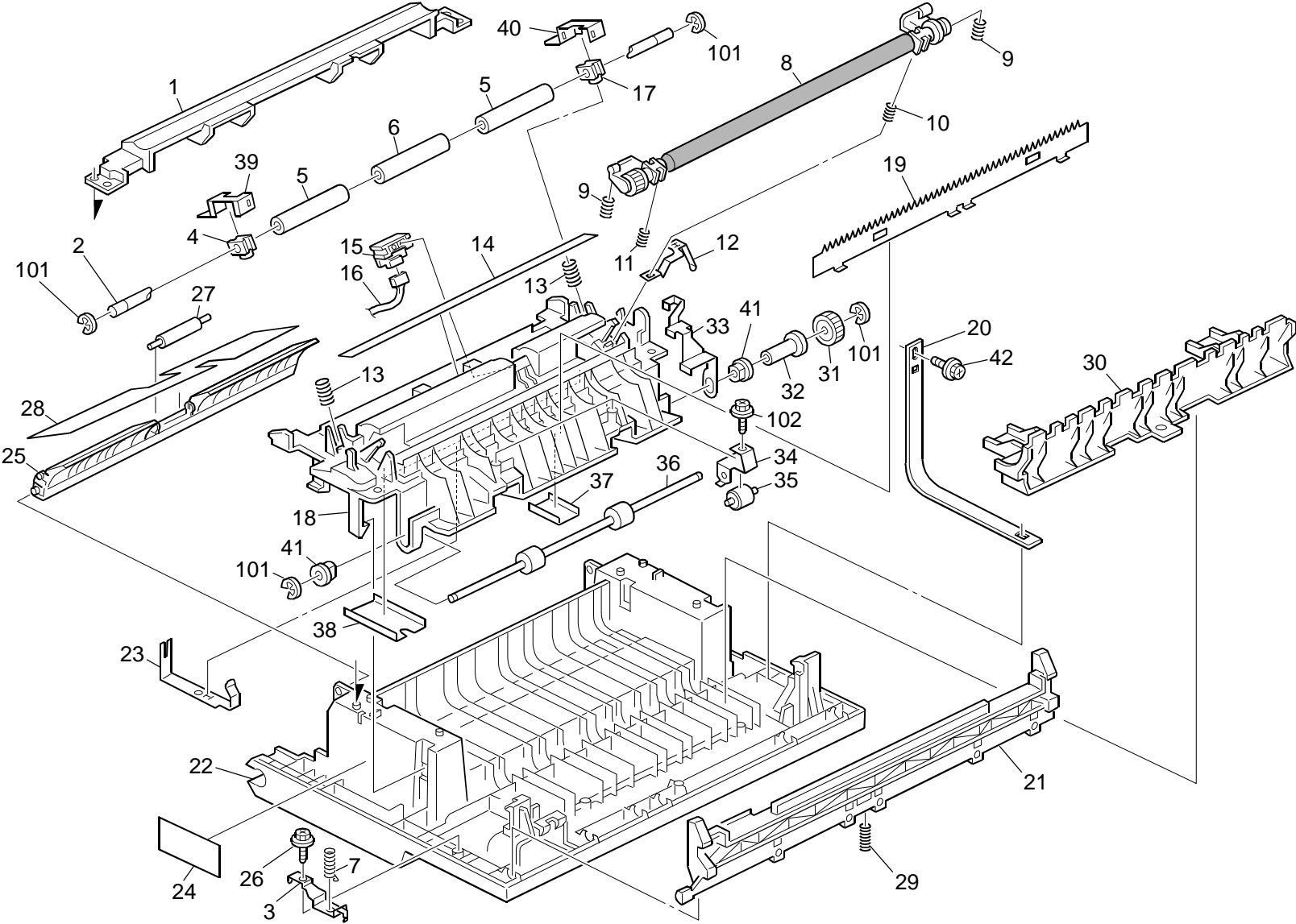
## 5.Paper Registration (D067/D068/D069/D072)



Index No.	Part No.	Description	Q'ty Per Assembly
1	B262 1064	Scanner Bracket - Front Right	1
2	B044 1063	Scanner Stud	1
3	B044 2653	Guide Plate - Paper Feed	1
4	B044 2654	Paper Feedguide	1
5	H521 3355	C Ring - Paper Feed Roller	2
6	AX20 0308	Magnetic Clutch:0.25N.m:Z43	1
7	B044 2605	Rear Bushing	1
8	AF02 0686	Registration Roller	1
9	GW02 0020	Photointerruptor:LG248NL1	1
10	B044 1102	Registration Electrode Plate	1
11	B044 2604	Front Bushing	1
12	D067 5211	Harness:Switch:Front Right	1
13	B044 2603	Registration Feeler	1
14	B044 2616	Support Bushing	2
15	B044 2602	Turn Roller	1
16	B044 2814	Exit Guide	1
17	AA08 0322	Bushing - 6mm	2
18	B044 2815	Friction Pad - Manual Feed	1
19	B044 2817	Friction Pad Spring	1
20	AF03 1086	By-pass Feed Roller	1
21	D067 5218	Harness:Paper End Sensor	1
22	B044 2829	Manual Feed Shaft	1
23	B044 2811	Guide Plate - Manual Feed	1
24	G020 2772	By-pass Paper End Sensor	1
25	B044 2812	Manual Feed Bracket	1
26	B044 2825	Spacer-manual Feed Roller	1
27	B044 2824	Cushion-manual Feed Roller	1
28	AX20 0310	Magnetic Clutch:0.25N.m:Z43	1
29	B044 2656	Guide Plate Stopper	1
30	B044 2622	Spacer - Registration	1
31	B044 4200	Fusing Plate Nut	1

Index No.	Part No.	Description	Q'ty Per Assembly
101	0451 3006N	Tapping Screw - 3x6	
102	0450 3006N	Tapping Screw - M3x6	
103	0720 0040E	Retaining Ring - M4	
104	1204 2521	Micro Switch	
105	1204 2529	Switch - V-5F912DN	

6.Transport Section (D067/D068/D069/D072)

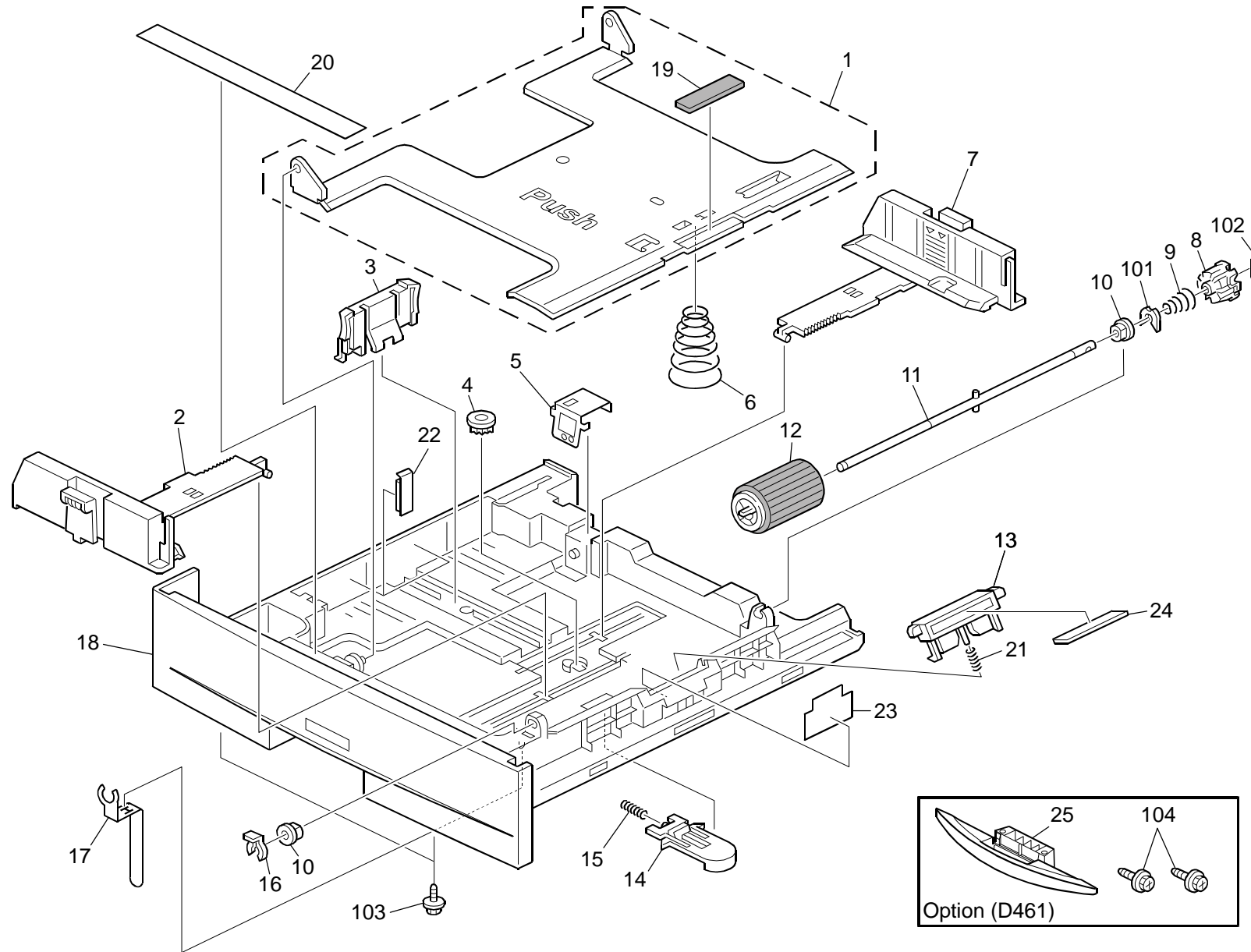


## 6.Transport Section (D067/D068/D069/D072)

Index No.	Part No.	Description	Q'ty Per Assembly
1	B044 2612	Guide Plate	1
2	B044 2624	Registration Roller Shaft	1
3	B044 4618	Spring Holder	1
4	B044 2614	Driven Roller Bushing	1
5	AF02 2139	Driven Roller - Front Rear	2
6	AF02 2140	Middle Driven Roller	1
7	AA06 3409	Right Door Spring	1
<b>8</b>	<b>B262 3802</b>	<b>Transfer Roller</b>	<b>1</b>
9	B044 3990	Positioning Spring - Transfer Roller	2
10	B044 3866	Transfer Roller Spring - Rear	1
11	B044 3865	Transfer Roller Spring - Front	1
12	B044 3860	Transfer Plate	1
13	B044 2615	Pressure Spring	2
14	B044 3870	Transfer Guide	1
15	B044 3894	Density Sensor:Longdist:Adhesion	1
16	D067 5214	Harness:Density Sensor	1
17	B044 2621	Bushing - Driven Roller	1
18	B044 4663	Reverse Guide Plate	1
<b>19</b>	<b>B044 3857</b>	<b>Separation Plate</b>	<b>1</b>
20	B044 4624	Right Door Belt	1
21	B044 4616	Right Cover Lever	1
22	B044 4655	Right Door	1
23	B044 3859	Discharge Plate	1
24	B044 4617	Fusing Unit Decal	1
25	H556 2818	Guide Plate	1
26	B044 3191	Tapping Screw-M3x8	1
27	AF02 2143	Guide Roller	1
28	H556 2820	Mylar Reverse	1
29	AA06 3443	Lever Spring	1
30	H556 4192	Right Guide Plate	1
31	AB01 2033	Gear - 21Z	1
32	H556 4186	Positioning Roller	1
33	H556 4181	Spring Plate	1
34	H556 4185	Transport Roller Holder	2
35	AF02 2152	Transport Driven Roller	2

Index No.	Part No.	Description	Q'ty Per Assembly
36	H556 4190	Transport Roller	1
37	H556 4188	Sheet	1
38	H556 4189	Sheet	2
39	B044 2860	Front Stopper Plate	1
40	B044 2861	Rear Stopper Plate	1
41	5053 0447	Bushing - 6mm	2
42	B129 4293	Tapping Screr - M3x10	1
101	0720 0040E	Retaining Ring - M4	
102	0450 3008N	Tapping Screw - M3x8	

## 7. Paper Cassette (D067/D068/D069/D072)



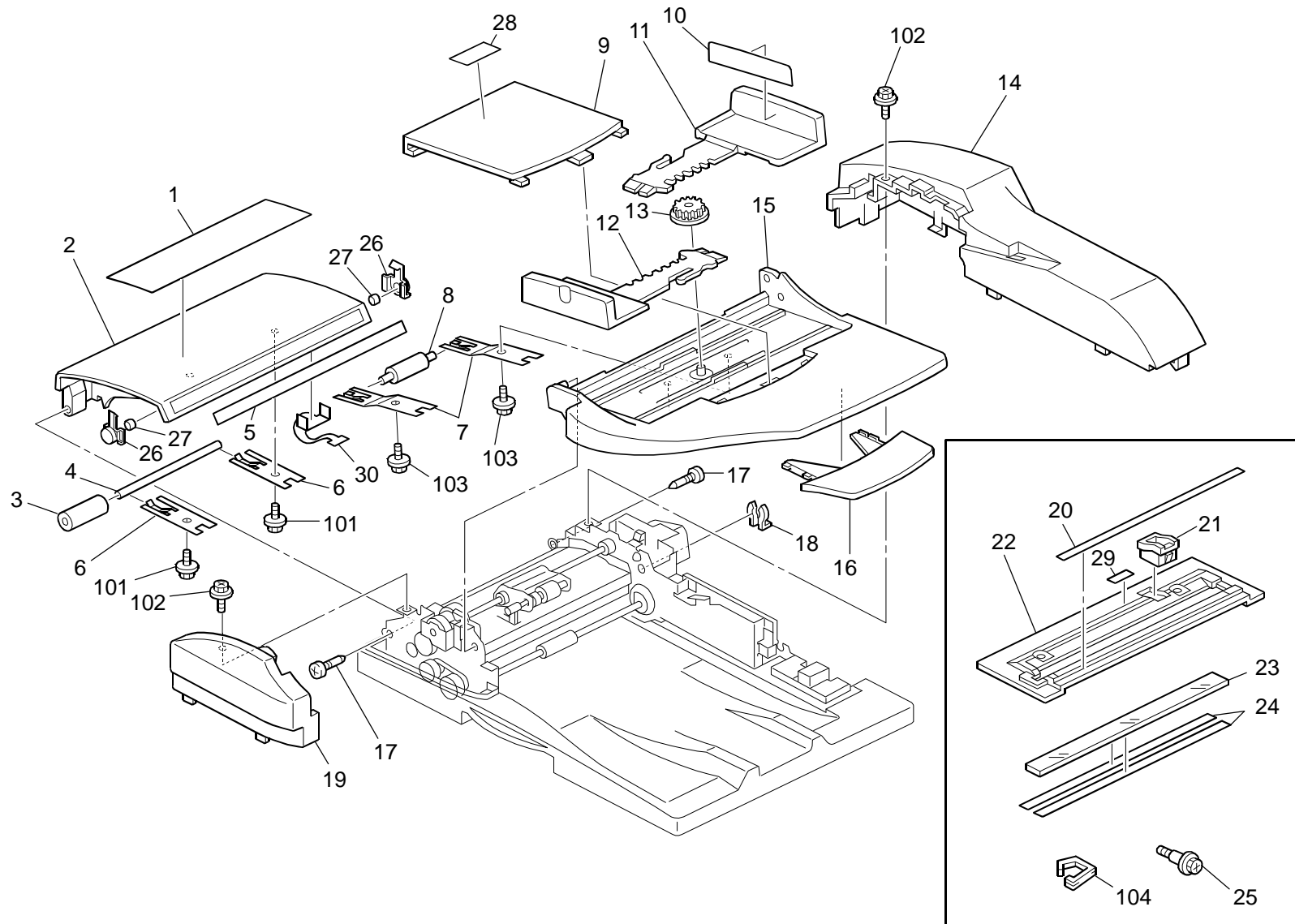
## 7.Paper Cassette (D067/D068/D069/D072)

Index No.	Part No.	Description	Q'ty Per Assembly
*	D067 2511	Paper Tray Unit:NA	1
*	D067 2510	Paper Tray Unit:EU	1
1	B044 2704	Tray Bottom Plate	1
2	B044 2702	Front Side Fence	1
3	B044 2706	End Fence	1
4	G800 3133	Side Fence Gear	1
5	B262 2709	Ground Plate:Tray Bottom Plate	1
6	B044 2716	Pressure Spring	1
7	B044 2703	Rear Side Fence	1
8	B044 2751	Joint - Paper Feed Roller	1
9	B044 2756	Spring - Paper Feed Roller	1
10	AA08 2101	Bushing - 6x10x6	2
11	B044 2758	Shaft - Paper Feed Roller	1
<b>12</b>	<b>AF03 1061</b>	<b>Paper Feed Roller</b>	<b>1</b>
<b>13</b>	<b>D067 2710</b>	<b>Friction Pad:Adhesion</b>	<b>1</b>
14	B044 2713	Stopper	1
15	G020 2599	Spring - Release Lever	1
16	H521 3355	C Ring - Paper Feed Roller	1
17	B262 2711	Ground Plater	1
18	B262 2704	Cover:Paper Tray:NA	1
18	B262 2703	Cover:Paper Tray:EU	1
19	5215 2713	Bottom Plate Pad	1
20	B044 2720	Decal - Cassette Operation	1
21	B044 2717	Pressure Spring	1
22	B044 2715	Sponge - End Fence	2
23	B044 2721	Paper Tray Sheet	1
24	B044 2714	Rubber Plate - Friction Pad	1
25	D461 2705	Grip:Option:Paper Tray	1

Index No.	Part No.	Description	Q'ty Per Assembly
101	0805 0089	Retaining Ring - M4	
102	0622 0120E	Spring Pin - 2x12mm	
103	0450 3008N	Tapping Screw - M3x8	
104	0450 3010N	Tapping Screw - M3x10	



# 8.ARDF 1 (D068/D069/D072)

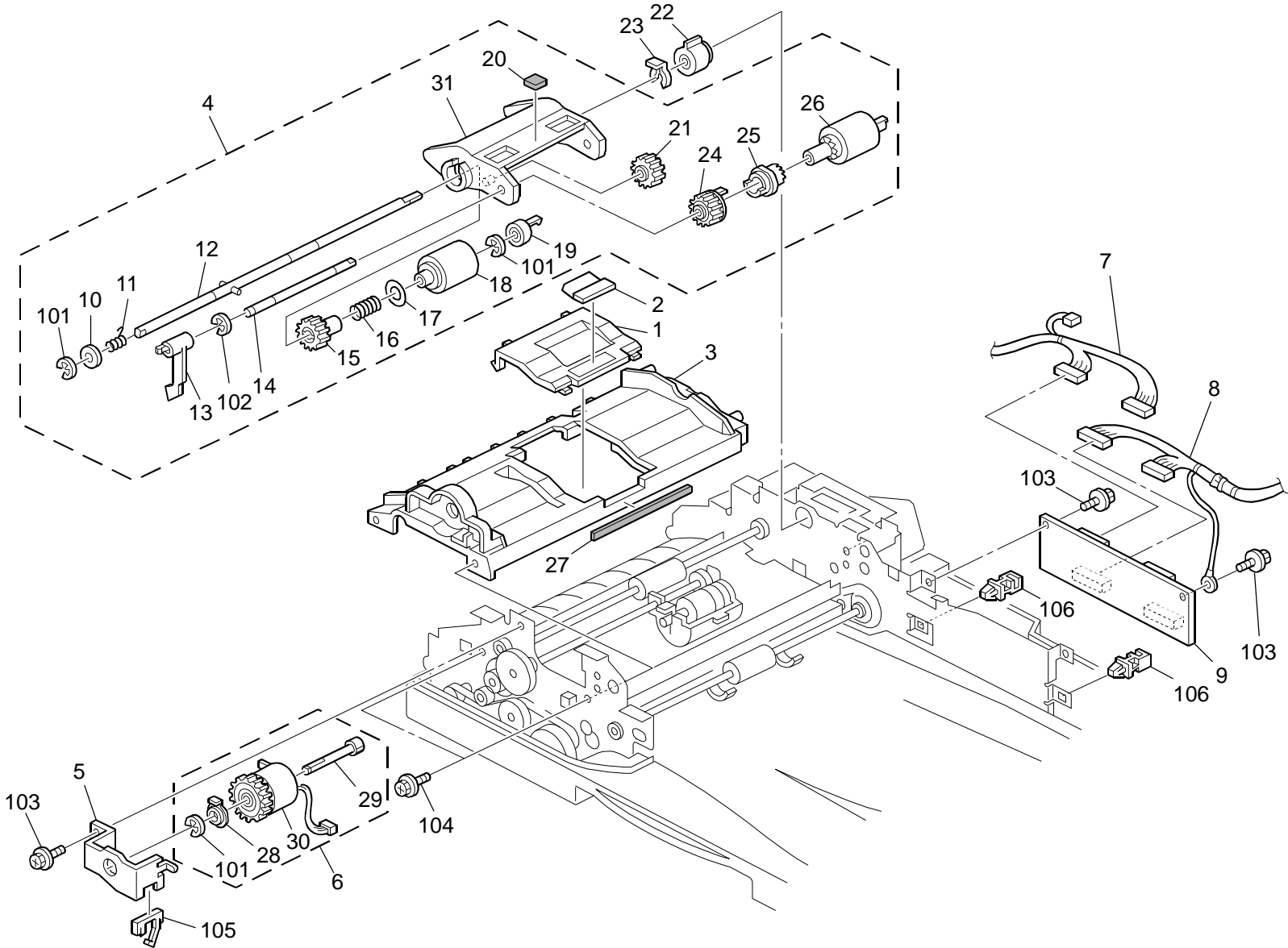


### 8.ARDF 1 (D068/D069/D072)

Index No.	Part No.	Description	Q'ty Per Assembly
1	B872 6011	Decal: Misfeed Removal	1
2	B872 4711	Cover: Open And Close	1
3	AF02 2144	Pressure Roller	1
4	B872 4721	Shaft: Pressure: Dia4	1
5	B872 6031	Decal: Size: Original	1
6	B872 4722	Spring Plate: R0	2
7	B872 4624	Spring Plate	2
8	B872 4616	Roller: Reverse: Pressure	1
9	B872 4615	Cover: Original Table	1
10	B872 6021	Decal: Side Fence	1
11	B872 4613	Guide: Original Table: Rear	1
12	B872 4612	Guide: Original Table: Front	1
13	BB01 3003	Gear - 14Z	1
14	B872 4731	Cover: Rear	1
15	B872 4611	Original Table	1
16	B872 4621	Original Table: Auxiliary	1
17	AA14 3788	Pin: Guide Plate: Paper Feed	2
18	5215 2621	Snap Ring - M6	1
19	B872 4741	Cover: Front	1
20	B872 6061	Decal: Scale: Left: NA	1
20	B872 6071	Decal: Scale: Left: EU	1
21	B872 7014	Cap: Registration Sensor: Scale	1
22	B872 7010	Scale: Left: Adhesion (D068/D069/D072)	1
23	AC01 3005	DF Exposure Glass	1
24	B044 4929	Sheet - Exposure Glass	2
25	AA14 3866	Screw: DIA3.4: M3	1
26	B872 4726	Case: Magnetic	2
27	G827 1023	Magnetic: Hale: DIA10x7	2
28	A859 2352	Pressure Plate Pad	1
29	B872 6081	Decal: Caution Chart	1
30	B872 4712	Guide Mylar	1

Index No.	Part No.	Description	Q'ty Per Assembly
101	0452 3008N	Tapping Screw - M3x8	
102	0451 3008N	Tapping Screw - M3x8	
103	0450 3006N	Tapping Screw - M3x6	
104	1105 0518	Edge Saddle - LES-1010	

9.ARDF 2 (D068/D069/D072)



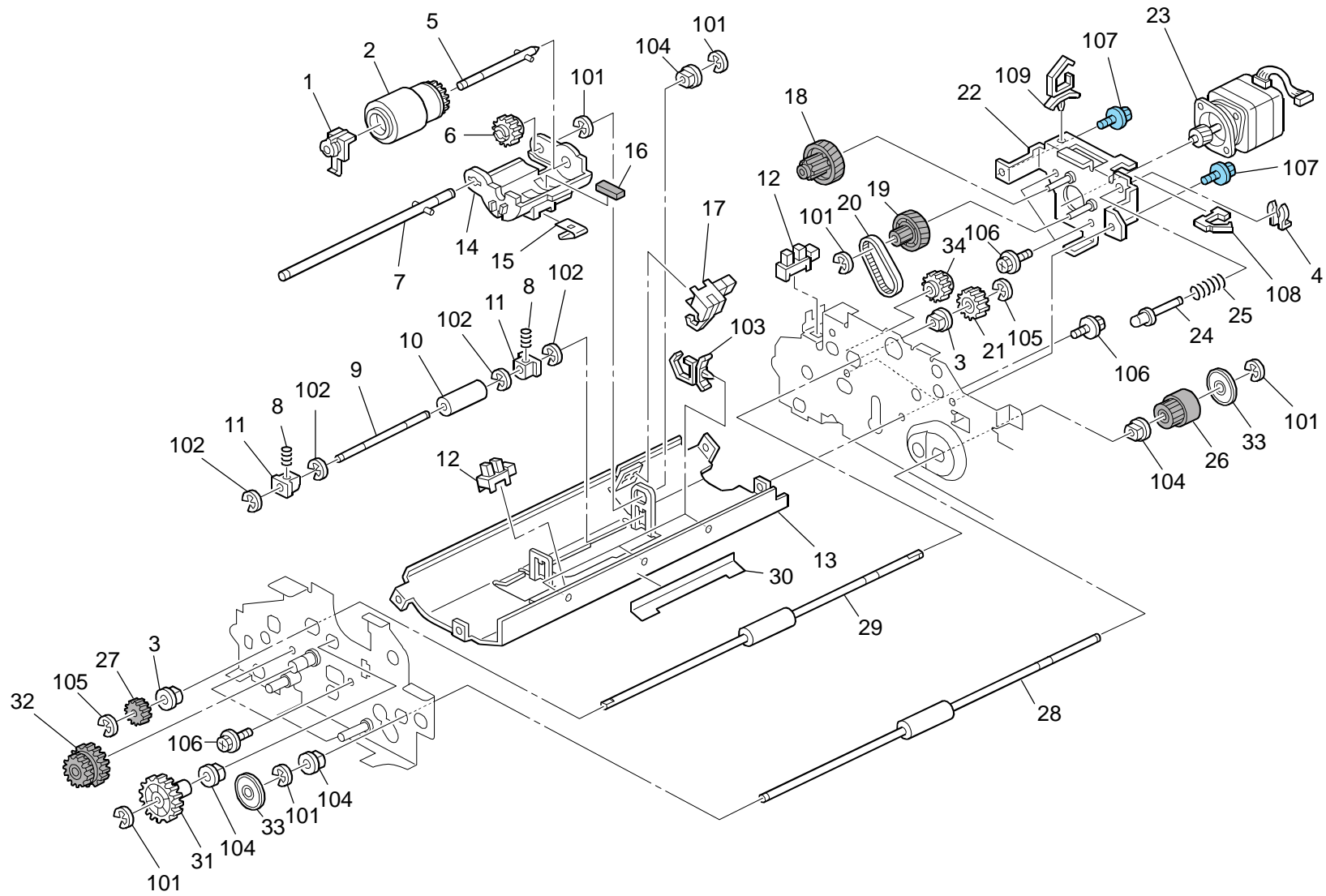
## 9.A RDF 2 (D068/D069/D072)



Index No.	Part No.	Description	Q'ty Per Assembly
1	B872 2312	Guide Plate:Paper Feed:Upper	1
2	H521 1350	Pad - Pick-up	1
3	B872 2311	Guide Plate:Paper Feed:Upper	1
4	B872 2510	Feeder Unit	1
5	B872 2412	Bracket:Magnetic Clutch	1
6	B872 2420	Magnetic Clutch:Ass'y	1
7	B872 5240	Harness:Main	1
8	B872 5210	Harness:Interface	1
9	B872 5100	PCB:Main Control	1
10	B872 2524	Spacer:DIA9	1
11	B872 2523	Spring Clutch:Feed:DIA6	1
12	B872 2521	Shaft:Feed:C	1
13	B872 2513	Feeler:Original Sensor	1
14	B872 2514	Shaft:Pickup	1
15	B872 2512	Gear:Z18	1
16	B872 2526	Spring:Roller Clutch	1
17	H072 2220	Spacer - M6x10	1
<b>18</b>	<b>AF03 1062</b>	<b>Feed Roller</b>	<b>1</b>
19	B872 2527	Roller Clutch:Bracket:Feed	1
20	B872 2515	Cushion:Bracket:Feed	1
21	B872 2511	Gear:Idler:Z16	1
22	B044 4961	Oneway Clutch	1
23	5447 2681	Snap Ring	1
24	B872 2528	Gear:Z18	1
25	B872 2529	Collar:Pickup	1
<b>26</b>	<b>AF03 0363</b>	<b>Pickup Roller</b>	<b>1</b>
27	B872 2313	Cushion-Guide Plate	1
28	B872 2421	Bushing:Feed	1
29	B872 2422	Shaft:Coupling:Feed	1
30	AX20 0303	Magnetic Clutch:245mN.m	1
31	B872 2525	Bracket:Feed	1

Index No.	Part No.	Description	Q'ty Per Assembly
101	0720 0040E	Retaining Ring - M4	
102	0720 0030E	Retaining Ring - M3	
103	0451 3006N	Tapping Screw - 3x6	
104	0450 3008N	Tapping Screw - M3x8	
105	1105 0612	Clamp:EDS-0704L-V0	
106	1105 0436	Locking Support - KGCP-08-0	

# 10.ARDF 3 (D068/D069/D072)

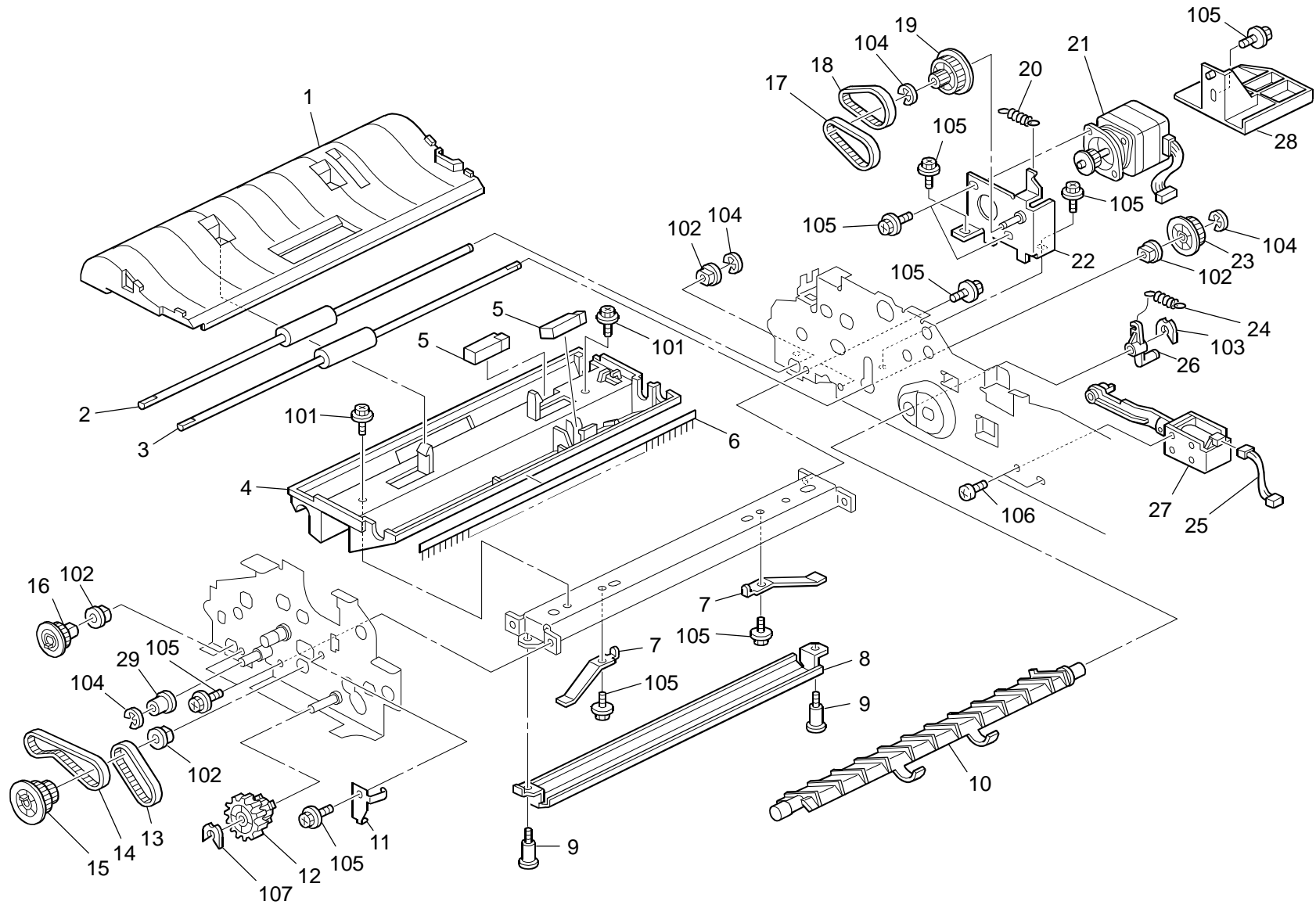


### 10.ARF 3 (D068/D069/D072)

Index No.	Part No.	Description	Q'ty Per Assembly
1	B872 2222	Holder:Reverse Roller	1
2	<b>AF03 2030</b>	<b>Reverse Roller</b>	<b>1</b>
3	B872 2614	Bushing:R1	2
4	5447 2681	Snap Ring	1
5	B872 2221	Shaft:Reverse Roller	1
6	B872 2223	Gear:Z17	1
7	B872 2213	Shaft:Drive:Separation	1
8	B872 2116	Compression Spring:Reverse:Driven	2
9	B872 2113	Shaft:Reverse:Roller:Driven	1
10	B872 2112	Roller:Driven:Dia14	1
11	AA08 0034	Bushing - 4x5x7	2
12	AW02 0141	Photointerruptor	2
13	B872 2110	Guide Plate:Paper Feed:Lower	1
14	B872 2211	Bracket:Reverse	1
15	B872 2251	Spring Plate:Reverse:Pressure	1
16	B044 4962	Cushion	1
17	AW02 0155	Photointerruptor:Paper Size Sensor	1
18	B872 4116	Gear:Z44/T14	1
19	B872 4113	Gear:Z44/T16	1
20	AA04 3603	Timing Belt:B40S2M128	1
21	B872 2613	Gear:Z22	1
22	B872 4141	Bracket:Motor:Paper Feed:Ass'y	1
23	B872 5810	Stepper Motor DC24V 3.53W	1
24	B872 1121	Stopper:Original Table	1
25	B872 1122	Compression Spring:Stopper	1
26	B872 3233	Torque Limiter:T24:S2M	1
27	B872 2612	Gear:Z19	1
28	B872 3261	Roller:Reverse:Drive	1
29	B872 2611	Roller:R0	1
30	B872 2118	Guide:Reverse:0.1	1
31	B872 2217	Gear:Z28	1
32	AB01 7591	Gear - 18/30Z	1
33	B789 4257	Pulley Flange	2
34	B872 4121	Gear:Idler:Z17	1

Index No.	Part No.	Description	Q'ty Per Assembly
101	0720 0040E	Retaining Ring - M4	
102	0720 0030E	Retaining Ring - M3	
103	1105 0511	Harness Clamp - LWS-0306ZC	
104	0805 3480	Bushing - 6mm	
105	0720 0060E	Retaining Ring - M6	
106	0451 3006N	Tapping Screw - 3x6	
107	0454 3006Q	Tapping Screw - M3x6	
108	1105 0612	Clamp:EDS-0704L-V0	
109	1105 0516	Clamp	

# 11.ARDF 4 (D068/D069/D072)



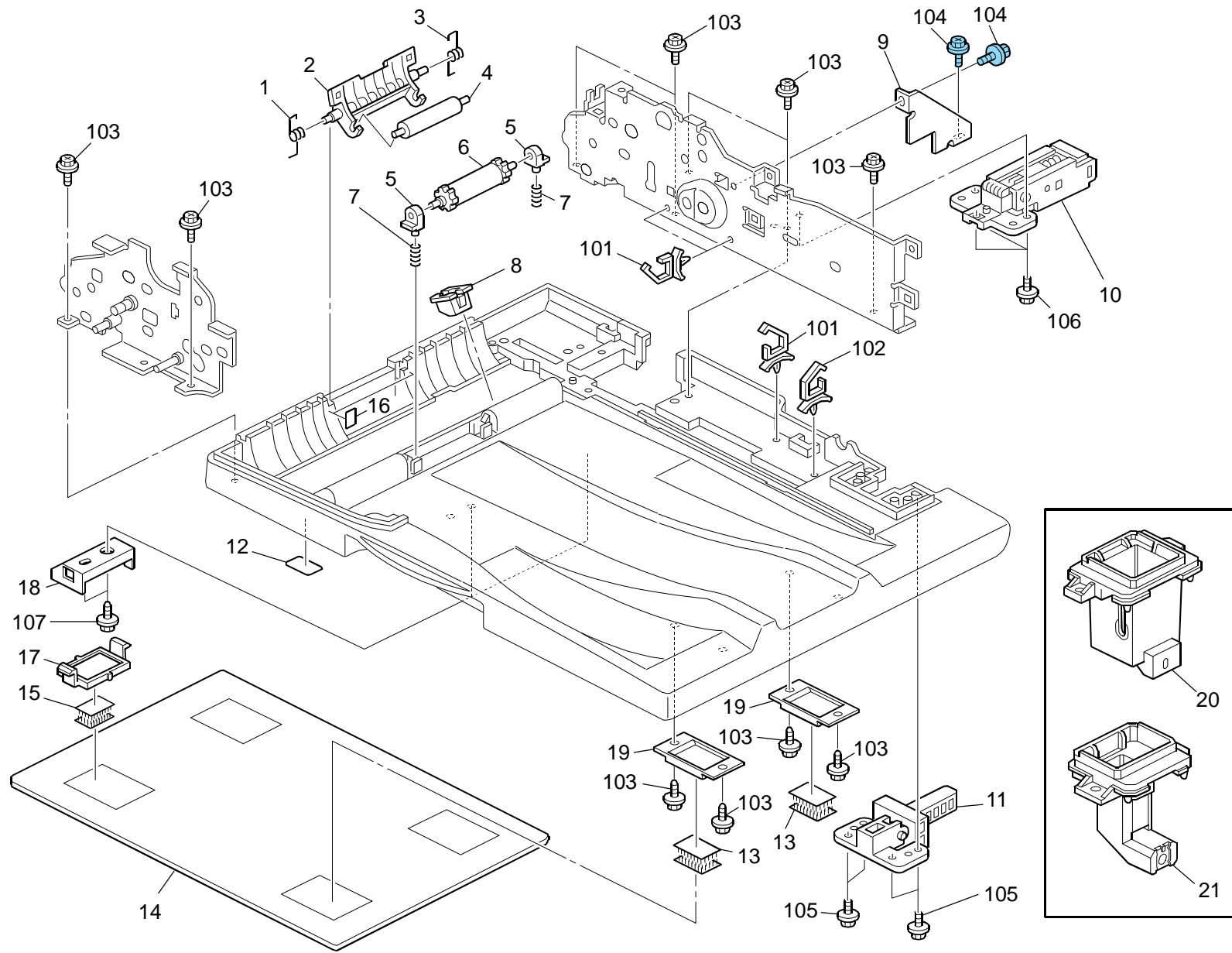
### 11.A RDF 4 (D068/D069/D072)

Index No.	Part No.	Description	Q'ty Per Assembly
1	B872 3121	Guide Plate:Scanning:Upper	1
2	B872 3211	Roller:Scanning:Front:Drive	1
3	B872 3221	Roller:Exit:Drive	1
4	B872 3111	Guide Plate:Scanning:Lower	1
5	AW01 0109	Photo Reflection Sensor:PS117ED1	2
6	B872 3114	Discharge Brush:Lower	1
7	B872 1515	Spring Plate:Guide:Exposure Glass	2
8	B872 1522	Guide:Exposure Glass	1
9	AA14 3544	Screw - M3	2
10	B872 3311	Exchange Powl:Reverse	1
11	B872 3113	Spring Plate:Earth:Exit	1
12	B872 3241	Knob:Pick-up Paper Jam	1
13	AA04 3605	Timing Belt:B40S3M114	1
14	B830 1456	Timing Belt - 40S2M190	1
15	B872 3223	Timing Pulley:T32	1
16	B872 3212	Pulley:T25	1
17	AA04 3604	Timing Belt:B40S2M110	1
18	AA04 3603	Timing Belt:B40S2M128	1
19	B872 4214	Pulley:T16/T44	1
20	B872 4216	Tension Spring:Motor:Transport	1
21	B872 5820	Stepper Motor:DC24V 3.35W	1
22	B872 4210	Bracket:Motor:Transport	1
23	B872 3222	Timing Pulley:T32	1
24	B872 3313	Tension Spring:Exchange Powl	1
25	B872 5250	Harness:Dc Solenoid	1
26	B872 3312	Lever:Exchange Powl	1
27	B872 4310	DC Solenoid:Exchange Powl	1
28	B872 4131	Inner Cover:Left Rear	1
29	A859 4141	Pulley Idler	1

Index No.	Part No.	Description	Q'ty Per Assembly
101	0451 3008N	Tapping Screw - M3x8	
102	0805 3480	Bushing - 6mm	
103	0805 0088	Retaining Ring - M6	
104	0720 0040E	Retaining Ring - M4	
105	0451 3006N	Tapping Screw - 3x6	
106	0353 0040N	Screw - M3x4	
107	0805 0089	Retaining Ring - M4	



# 12.ARDF 5 (D068/D069/D072)

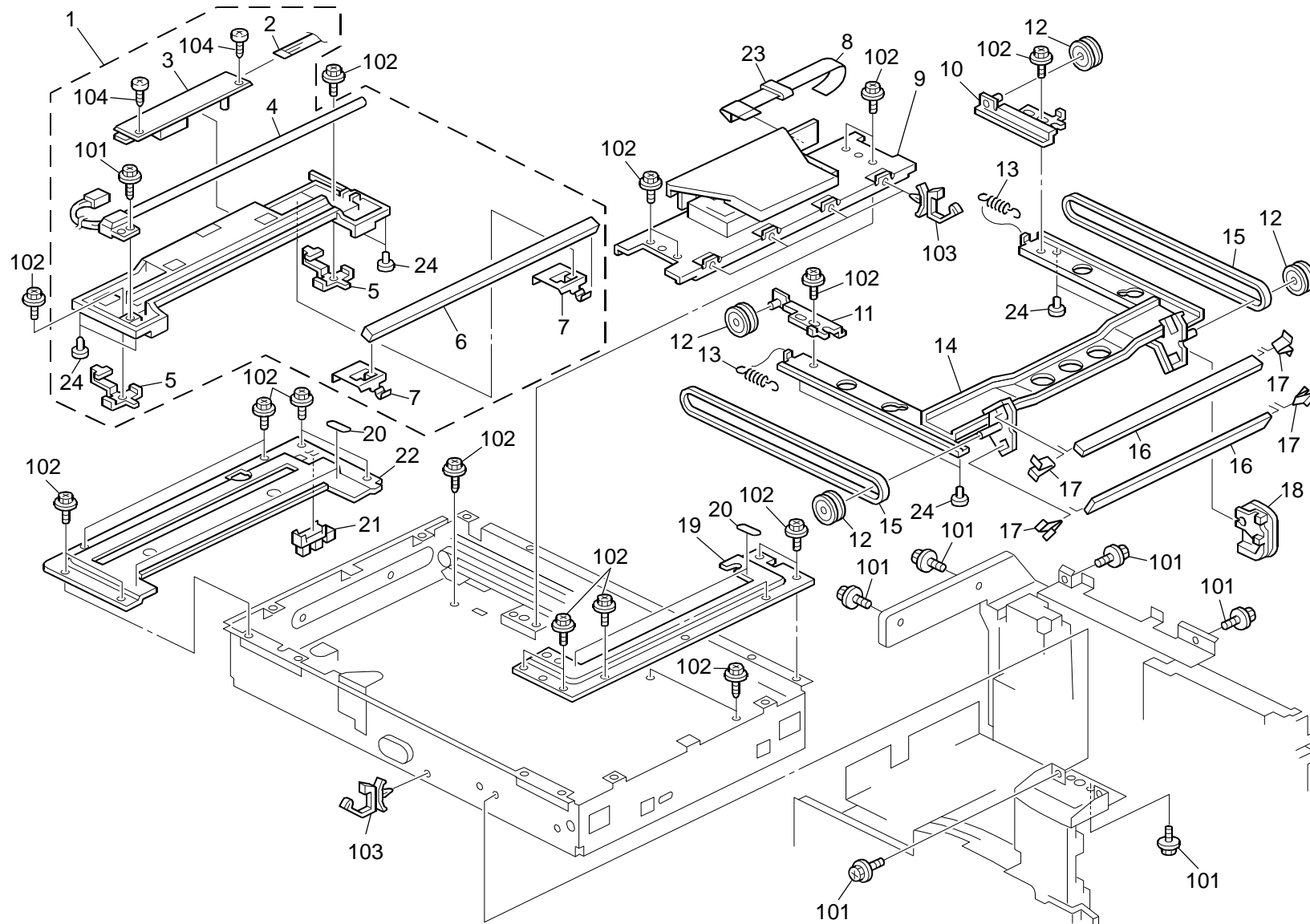


## 12.ARF 5 (D068/D069/D072)

Index No.	Part No.	Description	Q'ty Per Assembly
1	B872 1923	Torsion Spring:Pressure:Front	1
2	B872 1921	Lever:Driven:Pressure	1
3	B872 1924	Torsion Spring:Pressure:Rear	1
4	B872 1922	Roller:Driven:Scanning:Front	1
5	B872 1934	Bushing:Exit	2
6	B872 1931	Exit Roller:Driven	1
7	B872 1933	Compression Spring:Exit:Driven	2
8	B872 1912	Cap:Paper Feed Sensor:Base	1
9	B872 1114	Bracket:Side Plate:Rear Right	1
10	B872 1414	Hinge:Left	1
11	B872 1421	Hinge:Right	1
12	B872 6041	Decal:Lever:Knob	1
13	B351 4322	Tape:Pressuer Plate	2
14	B872 4512	Pressure Plate	1
15	B872 4513	Tape:Pressure Plate:Left	2
16	B872 1941	Guide:Base:Driven	2
17	B872 1916	Bracket:Pressure Plate	2
18	B872 1915	Holder:Bracket:Pressure Plate	2
19	B872 1914	Spacer:Pressure Plate	2
20	B262 1667	Holder:Hinge:Left	1
21	B262 1668	Holder:Hinge:Right	1

Index No.	Part No.	Description	Q'ty Per Assembly
101	1105 0511	Harness Clamp - LWS-0306ZC	
102	1105 0508	Harness Clamp - LWS-0711	
103	0450 3008N	Tapping Screw - M3x8	
104	0454 3006Q	Tapping Screw - M3x6	
105	0450 3010N	Tapping Screw - M3x10	
106	0451 3010N	Tapping Screw:3x10	
107	0450 3006N	Tapping Screw - M3x6	

### 13. Optics Section 1 (D067/D068/D069/D072)

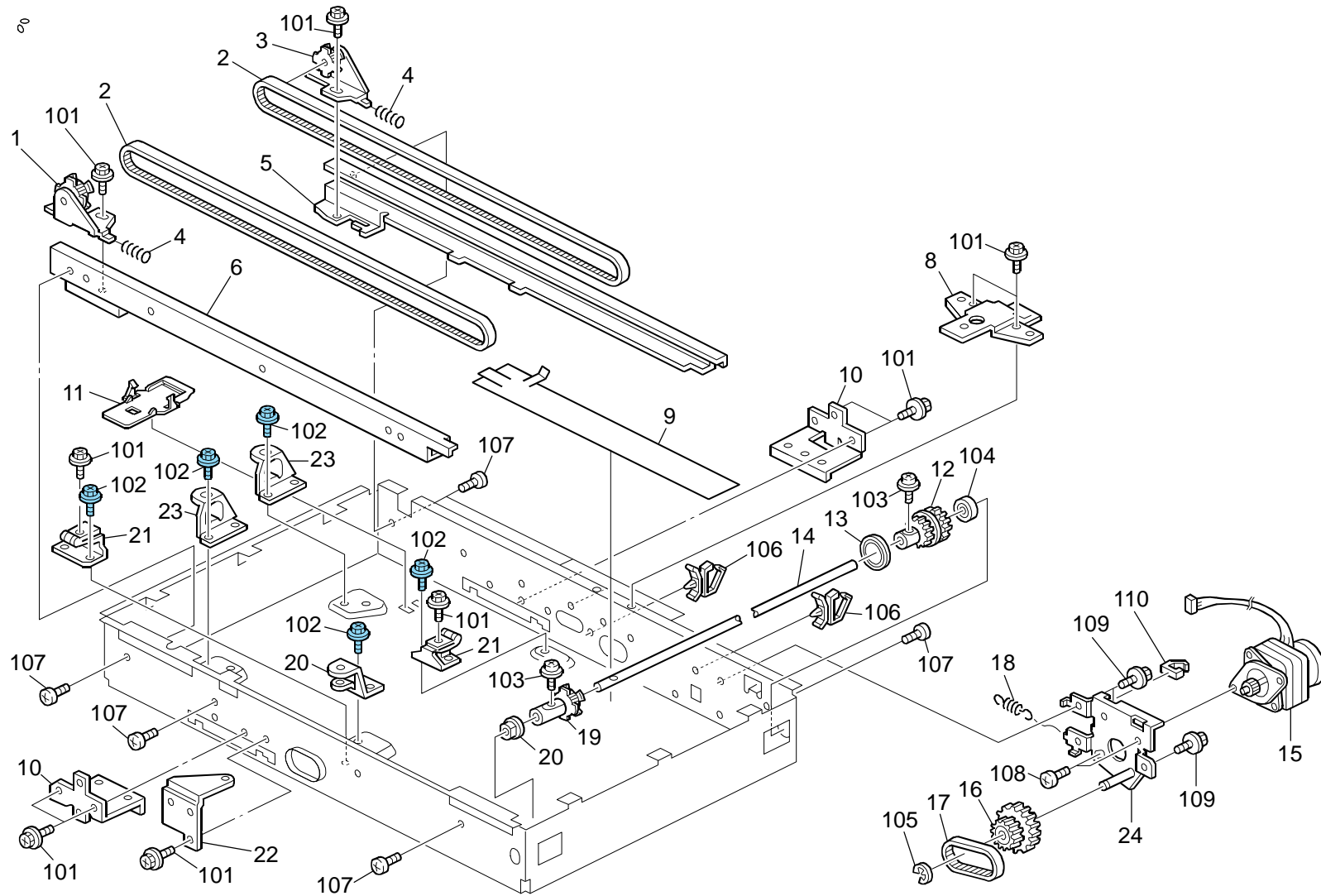


### 13.Optics Section 1 (D067/D068/D069/D072)

Index No.	Part No.	Description	Q'ty Per Assembly
1	B262 1700	Carriage:No.1 Unit	1
2	B262 5237	Flat Cable:Stabilizer	1
3	AZ50 0073	Stabilizer-xenon Lamp	1
4	AX50 0096	Xenon Lamp:Dia8	1
5	B044 1715	Timing Belt Holder	2
6	AC03 0145	1st Mirror	1
7	B044 1721	1st Mirror Holder	2
8	B262 5236	Flat Cable:SBU	1
9	B262 1770	Lens Unit	1
10	B262 1745	Bracket:Belt Pulley:Idler:Rear	1
11	B262 1741	Bracket:Belt Pulley:Idler:Front	1
12	B039 1785	Scanner Drive Pulley	4
13	B039 1786	Tension Spring	2
14	B044 1734	2nd Scanner	1
15	AA04 2053	Belt:3mm	2
16	AC03 0146	2nd Mirror	2
17	B039 1781	2nd Mirror Holder	4
18	B044 1751	Flat Cable Guide	1
19	B262 1683	Supporting Plate:Right Upper	1
20	A250 1824	Exposure Glass Sheet	4
21	GW02 0020	Photointerruptor:LG248NL1	1
22	B262 1681	Bracket:Scale	1
23	H555 5150	Ferrite Core	1
24	B044 1719	Scanner Slider Pin	8

Index No.	Part No.	Description	Q'ty Per Assembly
101	0450 3008N	Tapping Screw - M3x8	
102	0451 3006N	Tapping Screw - 3x6	
103	1105 0511	Harness Clamp - LWS-0306ZC	
104	0452 3010N	Binding Self-Tapping Screw:3x10	

# 14. Optics Section 2 (D067/D068/D069/D072)

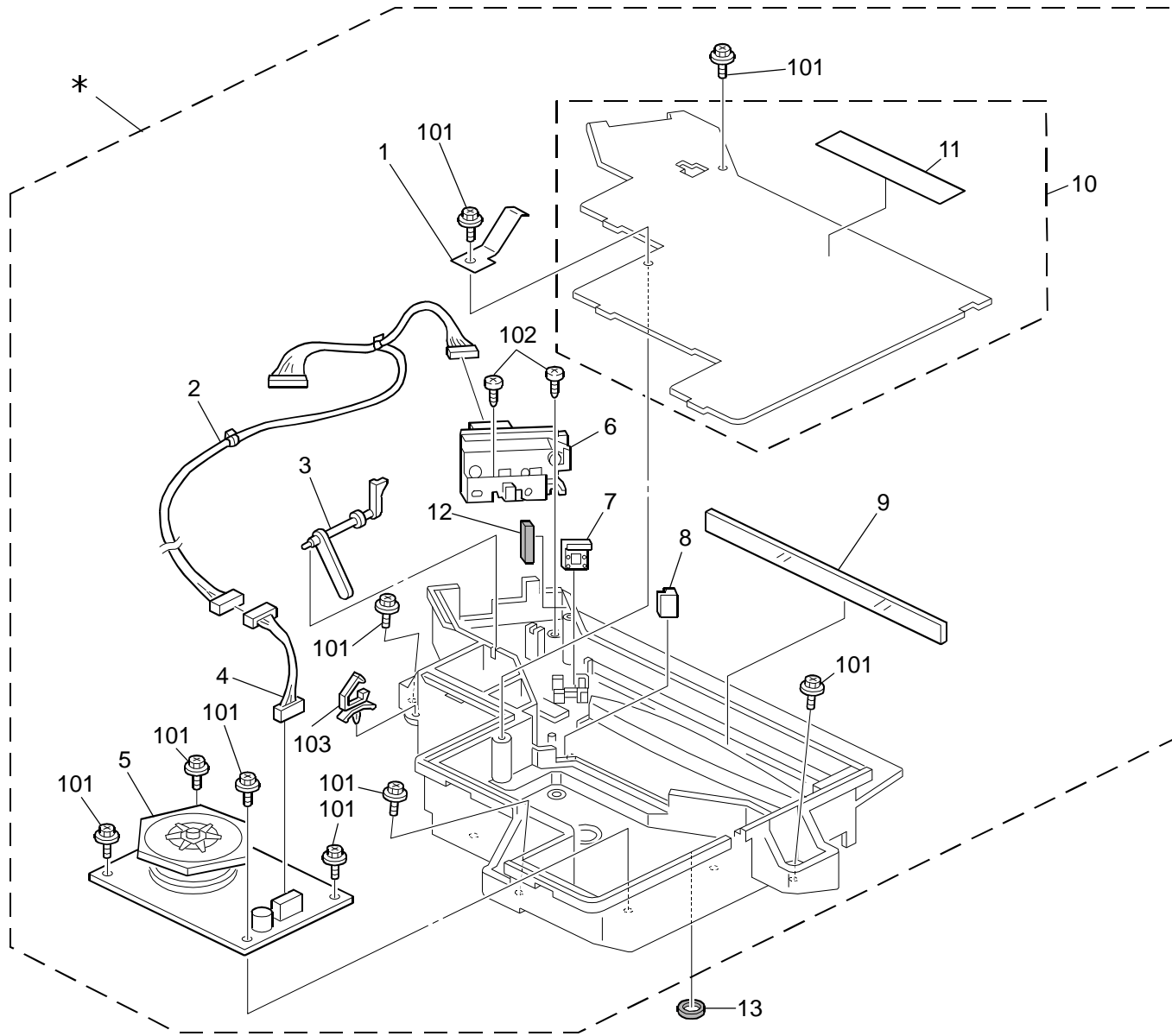


### 14.Optics Section 2 (D067/D068/D069/D072)

Index No.	Part No.	Description	Q'ty Per Assembly
1	B044 1827	Front Idler Bracket	1
2	AA04 3997	Timing Belt:ST55	2
3	B044 1828	Rear Idler Bracket	1
4	B039 1704	Spring - Timing Pulley	2
5	B262 1654	Rail:Rear	1
6	B262 1653	Rail:Front	1
7	GW02 0020	Photointerruptor:LG248NL1	1
8	B262 1665	Bracket:Scale:Inner Back	1
9	B262 1663	Sheet:Flat Cable:Stabilizer	1
10	B044 1663	Lens Bracket	2
11	B262 1677	Holder:Ferrite Core:SBU	1
12	AB03 3095	Drive Pulley - 41T/37T	1
13	B039 1695	Flange - Pulley	1
14	B044 1826	Scanner Drive Shaft	1
15	B284 1814	Stepping Motor - DC 5.3W	1
16	B121 1680	Gear - 53Z/60Z	1
17	B121 1696	Timing Belt L147	1
18	B039 1683	Tension Spring - Stepper Motor	1
19	AB03 0711	Drive Pulley - 37T	1
20	B262 1670	Bracket:Stopper:Rear	1
21	B044 1661	Belt Clamp Bracket	2
22	B044 1671	Bracket	1
23	B044 1669	Stopper Bracket - 1st Scanner	2
24	D067 1811	Bracket:Stepper Motor:ST-C4:Ass'y	1
25	AA08 2101	Bushing - 6x10x6	1

Index No.	Part No.	Description	Q'ty Per Assembly
101	0451 3006N	Tapping Screw - 3x6	
102	0454 3006Q	Tapping Screw - M3x6	
103	0360 3006P	Screw - M3x6	
104	0740 3906	Ball Bearing - 6x15x5	
105	0720 0060E	Retaining Ring - M6	
106	1105 0511	Harness Clamp - LWS-0306ZC	
107	0453 3006N	Tapping Screw - M3x6	
108	0353 0060N	Bind Screw - M3x6	
109	0451 3008N	Tapping Screw - M3x8	
110	1105 0522	Edge Saddle - LES0510	

# 15.Laser Unit (D067/D068/D069/D072)



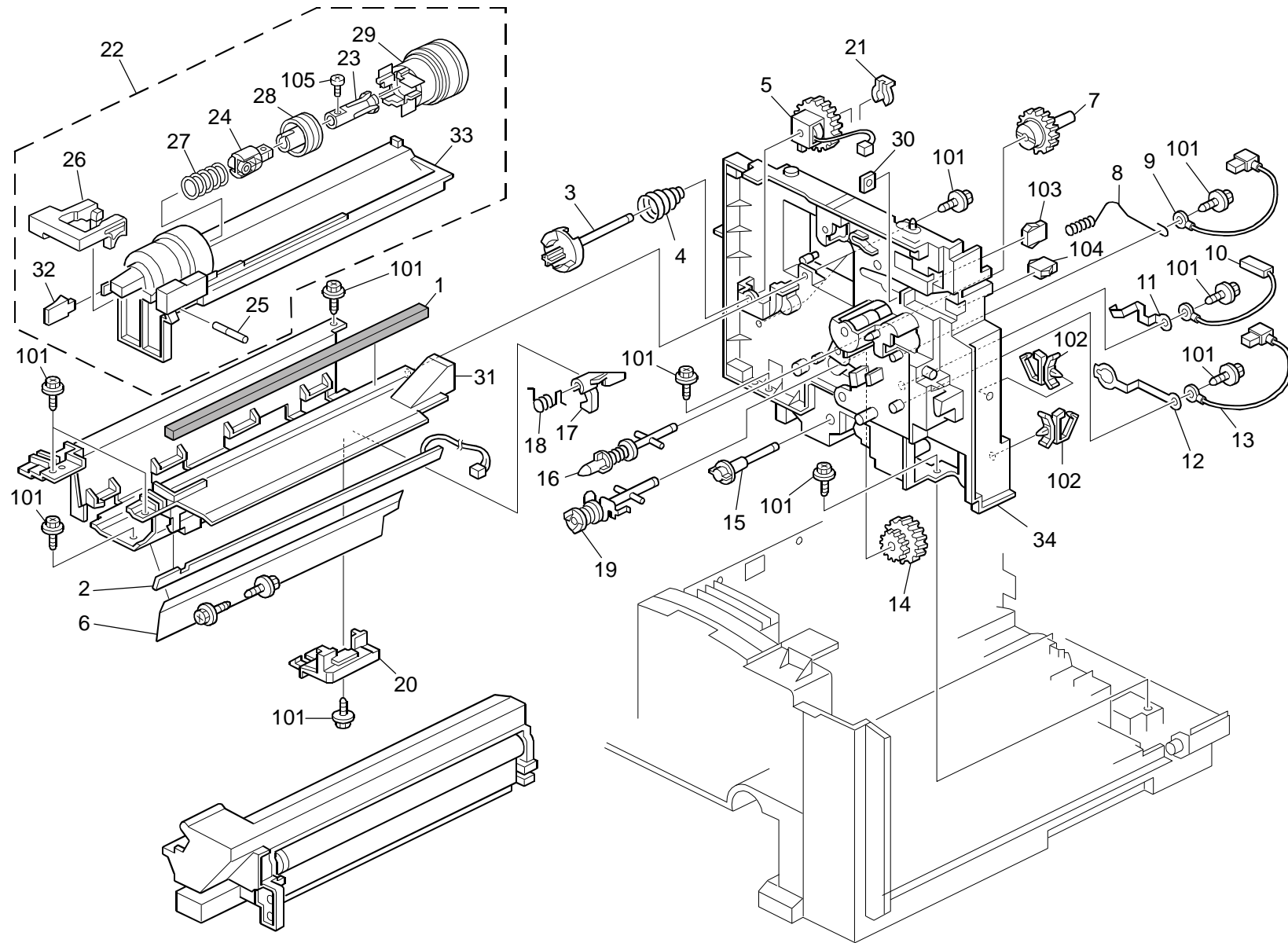
### 15.Laser Unit (D067/D068/D069/D072)

Index No.	Part No.	Description	Q'ty Per Assembly
*	D067 1901	Writing Unit	1
1	B044 1943	Ground Plate	1
2	D067 5204	Harness:LDDR:Interface	1
3	B044 1944	Shutter Plate	1
4	D067 5207	Harness:DC Polygon Mirror Motor	1
5	AX06 0342	Polygon Scannermotor-DC24V	1
6	B044 1912	Laser Diode Unit:Ass'y	1
7	G025 2730	Cylindrical Lens	1
8	G025 2731	Synchronizing Detector Lens	1
9	B044 1931	Shield Glass	1
10	B044 1941	Laser Unit Cover	1
11	G029 1982	LD Decal	1
12	B044 1906	Seal - LDU	1
13	B044 1999	Spacer - 5mm	1

Index No.	Part No.	Description	Q'ty Per Assembly
101	0450 3008N	Tapping Screw - M3x8	
102	0452 3010N	Binding Self-Tapping Screw:3x10	
103	1105 0511	Harness Clamp - LWS-0306ZC	



# 16.PCU Section (D067/D068/D069/D072)

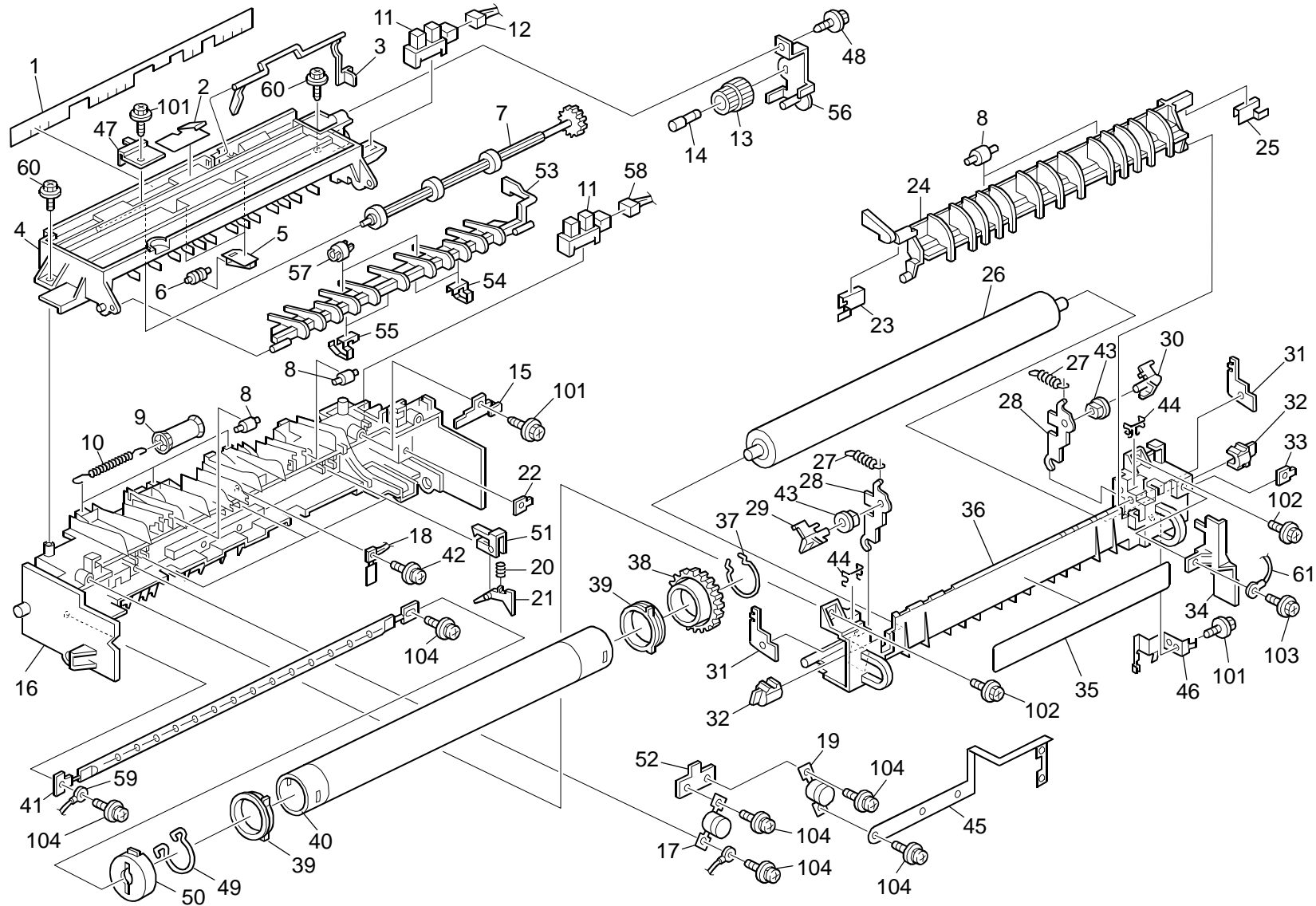


### 16.PCU Section (D067/D068/D069/D072)

Index No.	Part No.	Description	Q'ty Per Assembly
1	B044 1069	Duct Shield	1
2	AX50 0098	Quenching Lamp	1
3	B129 1176	Toner Supply Shaft	1
4	B129 1175	Toner Bottle Drive Spring	1
5	AB04 0023	Spring Clutch:0.7N.m:Z53	1
6	D067 1068	Sheet:Block Light:Discharge Lamp	1
7	AB01 0358	Gear - 64Z	1
8	AA11 3034	Electrode Plate - Charge	1
9	B262 5220	Harness:High Voltage Line:C	1
10	B262 5222	Harness:High Voltage Line:T	1
11	AA11 3035	Electrode Plate - Transfer	1
12	AA11 3032	Electrode Plate - Development	1
13	B262 5221	Harness:High Voltage Line:B	1
14	AB01 7582	Coupled Gear 22/50Z	1
15	AA14 8651	Shaft - Paper Feed Roller	1
16	AB00 0025	Drum Shaft	1
17	B044 1100	Shutter	1
18	B044 1101	Shutter Spring	1
19	AB00 0027	Development Shaft Ass'y	1
20	B044 1103	Shutter Cover	1
21	G014 3291	Snap Ring - Pick Up	1
22	B262 3020	Toner Supply Unit	1
23	A184 3420	Bottle Chuck	1
24	B044 3426	Chuck Shaft	1
25	B044 3427	Slide Shaft	1
26	B044 3461	Handlw Cam	1
27	A267 3556	Chuck Spring - Tonner Bottle	1
28	B044 3485	Slider Ass'y	1
29	B129 3465	Cover - Toner Supply Unit	1
30	B044 4200	Fusing Plate Nut	1
31	B044 1067	Toner Supply Rail	1
32	B044 3475	Un Lock Grip	1
33	B044 3470	Toner Supply Case Ass'y	1
34	B129 1059	Frame-Drive-C2	1

Index No.	Part No.	Description	Q'ty Per Assembly
101	0450 3008N	Tapping Screw - M3x8	
102	1105 0511	Harness Clamp - LWS-0306ZC	
103	1102 6259	Connector - 2P	
104	1102 4559	Connector - 3P	
105	0452 3008N	Tapping Screw - M3x8	

# 17.Fusing Unit (D067/D068/D069/D072)

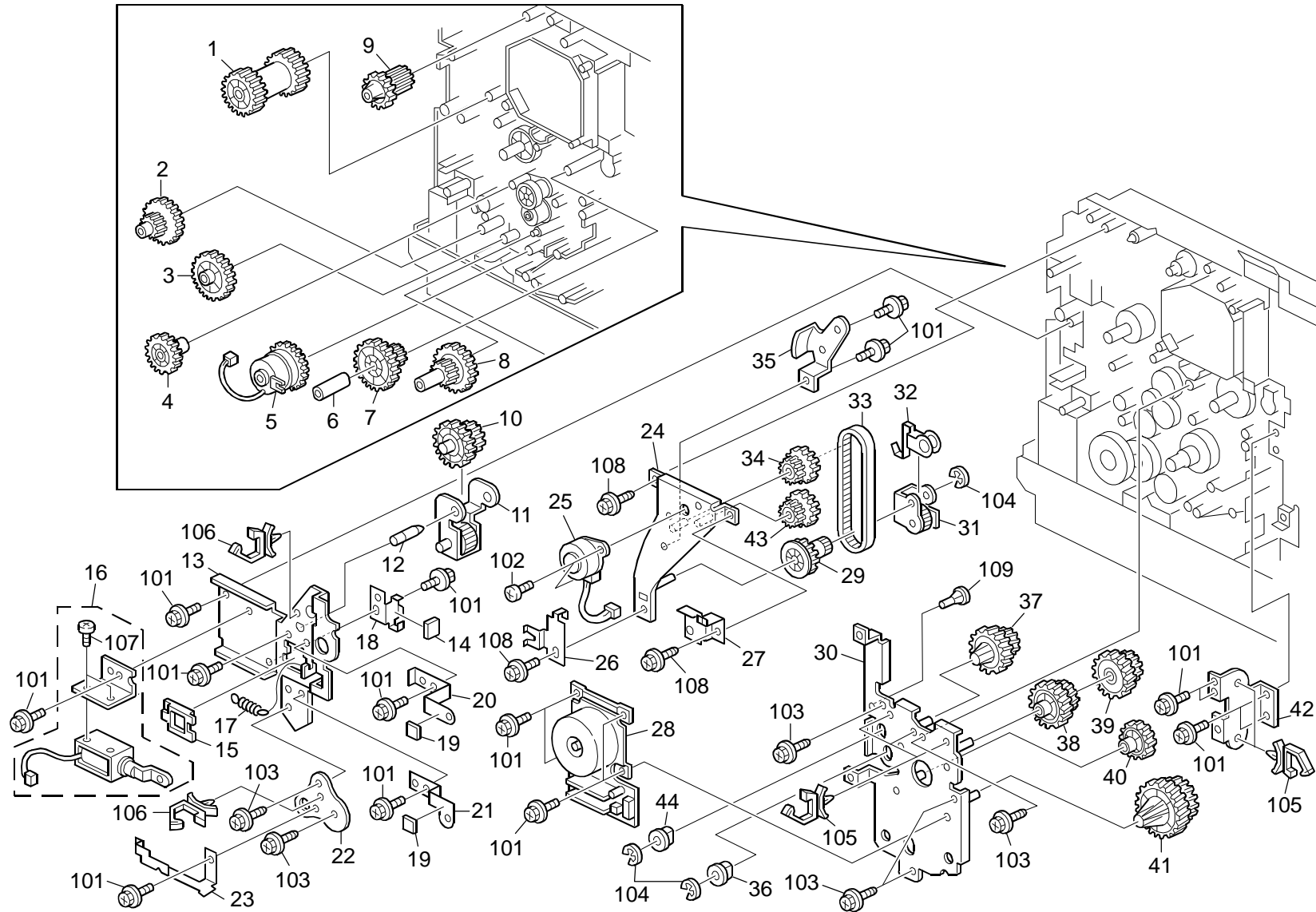


## 17.Fusing Unit (D067/D068/D069/D072)

Index No.	Part No.	Description	Q'ty Per Assembly
*	D067 4018	Fusing Unit:115V	1
*	D067 4028	Fusing Unit:230V	1
1	D067 4165	Discharge Brush:Exit	1
2	B044 4166	Spring Plate	1
3	B044 4183	Feeler	1
4	B044 4186	Guide Plate	1
5	B044 4138	Spring	2
6	AF02 2141	Turn-roller	2
7	AF04 0603	Exit Roller	1
8	AF02 2142	Middle Roller	4
9	AF04 0588	Exit Roller	3
10	B044 4154	Exit Spring	3
11	GW02 0020	Photointerruptor:LG248NL1	2
12	D067 5203	Harness:Paper Feed Sensor:Connecting	1
13	H556 2210	Gear - 19/28Z	1
14	H556 2222	Stud	1
15	B129 4143	Electrode Plate Cover	1
16	B129 4102	Fusing Frame	1
17	AW11 0037	Thermostat - 160C	1
18	AW10 0088	Thermistor - Fusing	1
19	AW11 0038	Thermostat - 170C	1
20	B044 4155	Spring - Pickoff Pawl	3
<b>21</b>	<b>AE04 4059</b>	<b>Stripper Pawls</b>	<b>3</b>
22	B044 4135	Lamp Holder	1
23	B044 4117	Front Spring Plate	1
24	H556 2206	Guide Plate	1
25	B044 4118	Rear Spring Plate	1
<b>26</b>	<b>AE02 0164</b>	<b>Pressure Roller</b>	<b>1</b>
27	B044 4152	Pressure Spring	2
28	B044 4130	Pressure Lever	2
29	B044 4141	Pressure Release Lever - Front	1
30	B044 4146	Pressure Release Lever - Rear	1
31	B044 4132	Side Plate	2
32	AE03 1035	Pressure Roller Bushing	2
33	B044 4200	Fusing Plate Nut	1

Index No.	Part No.	Description	Q'ty Per Assembly
34	B044 4201	Fusing Harness Cover	1
35	B044 4161	Warning Decal	1
36	B044 4104	Pressure Frame	1
37	B044 4150	Hot Roller Stopper	1
38	B044 4170	Fusing Gear	1
<b>39</b>	<b>AE03 1044</b>	<b>Fusing Bushing</b>	<b>2</b>
<b>40</b>	<b>AE01 1086</b>	<b>Hot Roller</b>	<b>1</b>
41	AX44 0202	Heater - 120V/800W	1
41	AX44 0203	Heater - 230V:750W	1
42	B129 4294	Screw-M3x13	1
43	B044 4131	Bushing-Pressure Release	2
44	B044 4153	Cushion	2
45	B129 4134	Electrode Plate Fusing	1
46	B044 4136	Ground Plate	1
47	B044 4401	Paper Holder Stand	1
48	B044 3191	Tapping Screw-M3x8	1
49	B044 4156	Front Hot Roller Stopper	1
50	B044 4112	Hot Roller Cap	1
51	B044 4179	Holder - Pickoff Pawl	1
52	B129 4195	Thermostat Plate Nut	1
53	H556 2208	Gate Plate	1
54	H556 2201	Reargate Plate Guide	2
55	H556 2202	Front Gate Plate Guide	1
56	H556 2219	Gear Bracket	1
57	H556 2220	Roller	2
58	D067 5251	Harness:Sensor:Gate	1
59	B262 5209	Harness:AC:Fusing:NA	1
59	B262 5208	Harness:AC:Fusing:EU	1
60	B129 4293	Tapping Screr - M3x10	2
61	D067 5235	Ground Wire:Cassette	1
101	0450 3008N	Tapping Screw - M3x8	
102	0451 3006N	Tapping Screw - 3x6	
103	0451 3008N	Tapping Screw - M3x8	
104	0954 3008N	Screw - M3x8	

# 18. Drive Section (D067/D068/D069/D072)



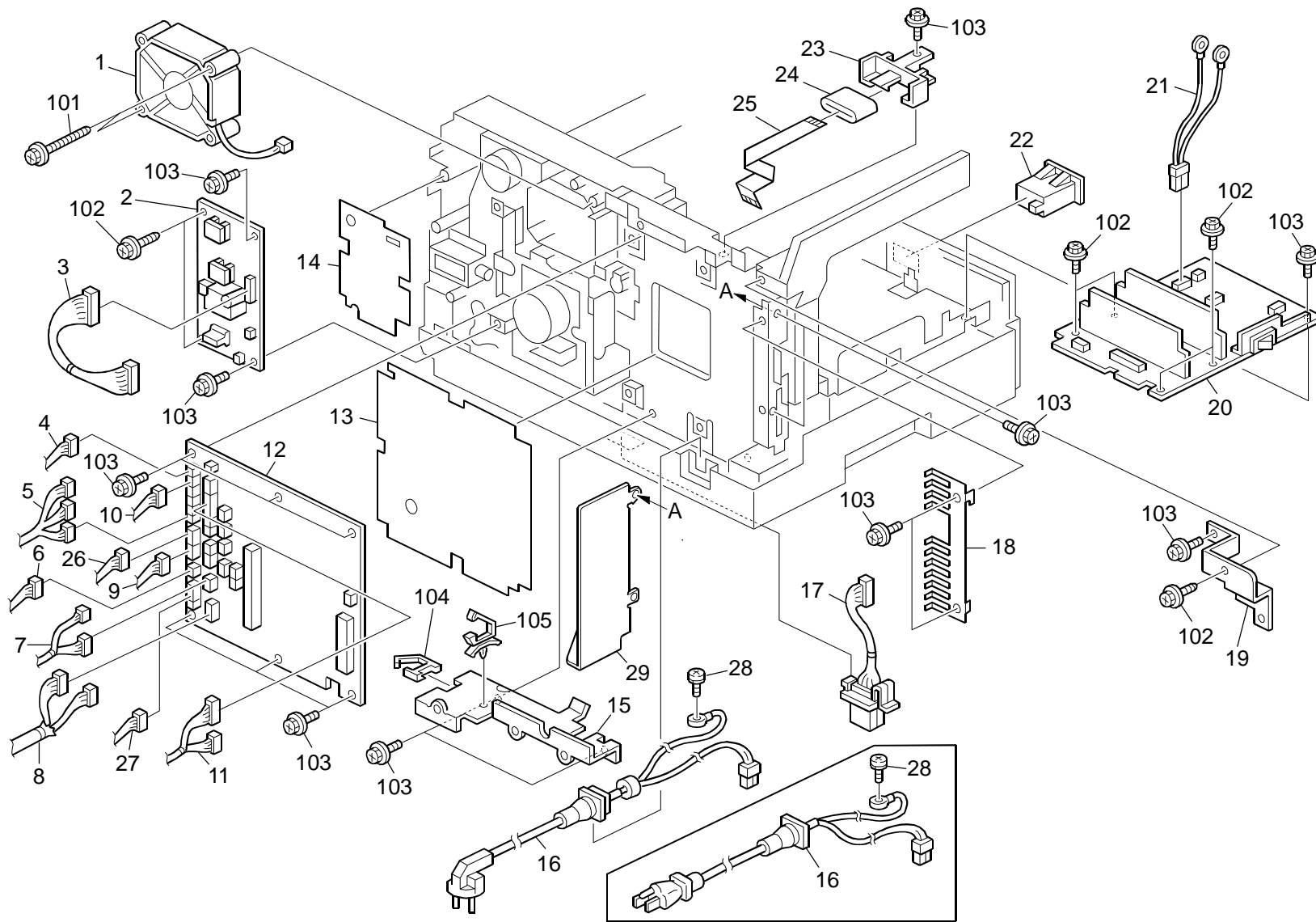
### 18. Drive Section (D067/D068/D069/D072)

Index No.	Part No.	Description	Q'ty Per Assembly
1	BB01 3006	Gear - 27Z	1
2	AB01 7586	Coupled Gear - 43/53Z	1
3	AB01 1438	Gear - 41Z	1
4	AB01 1492	Gear - 29Z	1
5	AX20 0309	Magnetic Clutch:0.25N.m:Z43	1
6	AA13 2217	Collar	1
7	AB01 7587	Coupled Gear - 17/44Z	1
8	AB01 7585	Coupled Gear - 17/44Z	1
9	AB01 7629	Gear - 19/21Z	1
10	AB01 7663	Gear - 18/40Z	1
11	B129 1164	Fusing Bracket Ass'y	1
12	AA14 3804	Fusing Shaft 5	1
13	B129 1110	Rear Drive Plate 2	1
14	AA16 1157	Bracket Cushion	1
15	B129 1056	Shaft Spacer	1
16	B129 1161	Lever DC Solenoid Ass'y	1
17	AA06 2326	Spring - Swivel Fusing	1
18	B129 1129	Plate Cushion	1
19	B044 1139	Damping Insulation	2
20	AA12 0124	Ground Plate - Drum Drive	1
21	AA12 0104	Ground Plate - Registration	1
22	B129 1157	Side Plate - Manual Feed	1
23	B129 2820	Ground Plate - Manual Feed	1
24	H556 4172	Duplex Drive Bracket	1
25	AX06 0336	Stepper Motor-Duplex-DC24V 14.9W	1
26	B129 4703	Ground Plate - Lower Duplex Bracket	1
27	B262 4701	Spring Plate:Discharge	1
28	AX06 0344	Brushless Motor:DC24V:20W	1
29	AB01 7628	Gear - 19/38Z	1
30	B129 1163	Rear Drive Plate 1 Ass'y	1
31	H556 4183	Swivel Bracket	1
32	H556 4178	Spring Plate	1
33	AA04 3582	Timing Belt	1
34	AB03 2071	Pulley - 24Z	1
35	H556 4180	Plate Bracket	1

Index No.	Part No.	Description	Q'ty Per Assembly
36	5424 4142	Bushing - Cleaning Roller	1
37	AB01 7661	Gear - 29/69Z	1
38	AB01 7660	Gear - 44/67Z	1
39	AB01 7662	Gear - 17/67Z	1
40	AB01 0362	Gear - 49Z	1
41	AB01 7659	Gear - 43/91Z	1
42	B044 1158	Bracket	1
43	AB01 7627	Gear - 28/43Z	1
44	5053 0447	Bushing - 6mm	1
101	0451 3006N	Tapping Screw - 3x6	
102	0453 3006N	Tapping Screw - M3x6	
103	0450 3010N	Tapping Screw - M3x10	
104	0720 0040E	Retaining Ring - M4	
105	1105 0487	Harness Clamp	
106	1105 0511	Harness Clamp - LWS-0306ZC	
107	0353 0040N	Screw - M3x4	
108	0450 3008N	Tapping Screw - M3x8	
109	1105 0499	Support Spacer - M3x29	



# 19. Electrical Section (D067/D068/D069/D072)



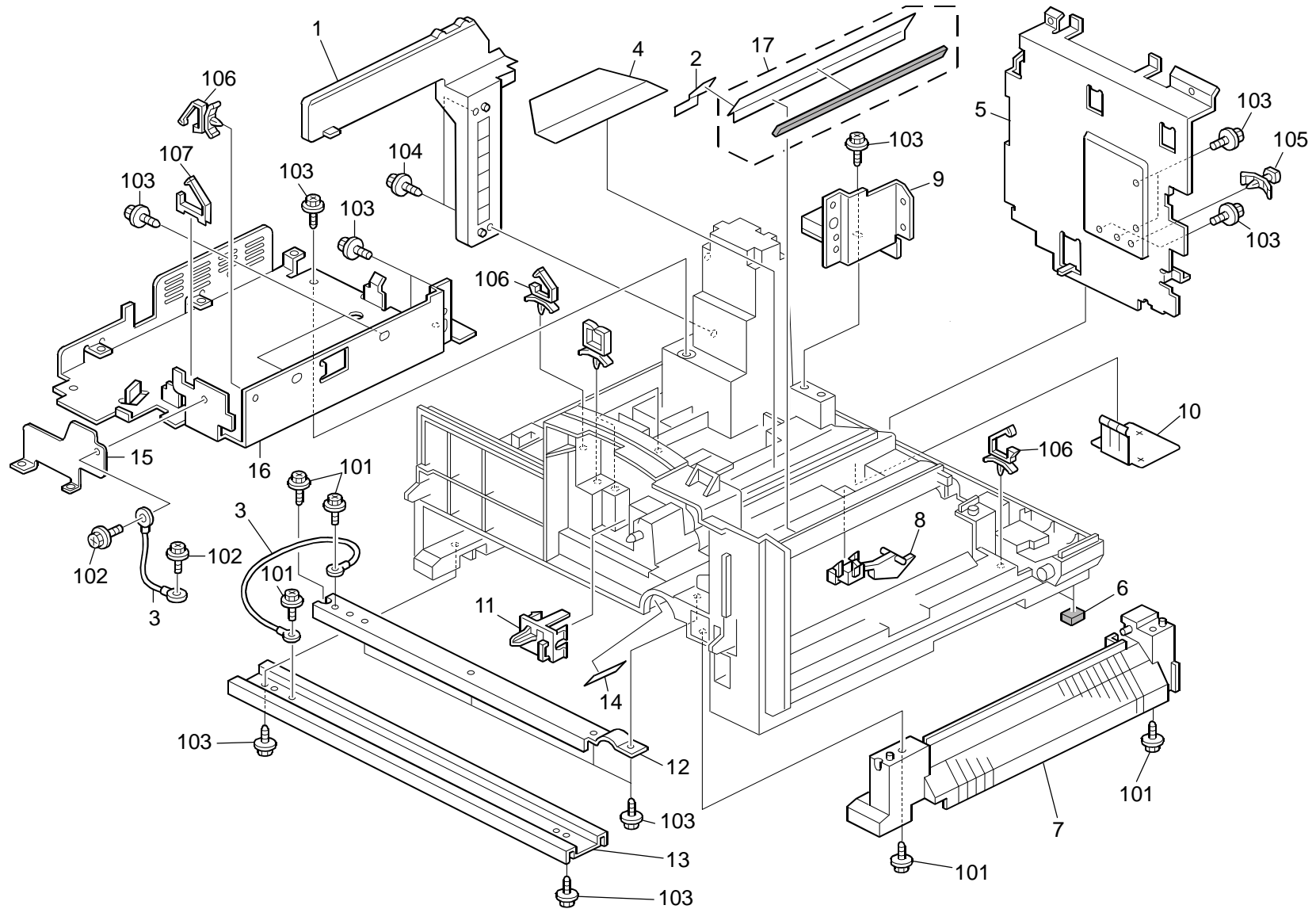
### 19.Electrical Section (D067/D068/D069/D072)

Index No.	Part No.	Description	Q'ty Per Assembly
1	GX64 5734	Fan Motor:MM80 DC24V 3.12W	1
2	AZ32 0152	Power Pack BCT	1
3	D067 5217	Harness:HVP	1
4	D067 5201	Harness:HPS	1
5	D067 5202	Harness:Paper Feed Sensor	1
6	D067 5213	Harness:Registration Sensor	1
7	D067 5200	Harness:Toner:Connecting	1
8	D067 5206	Harness:Power Supply Unit	1
9	D067 5216	Harness:Motor:Main	1
10	D067 5205	Harness:Operation Sub-unit	1
11	D067 5210	Harness:Door Switch	1
12	D067 5101	PCB:BICU:EXP:Ass'y	1
12	D068 5101	PCB:BICU	1
12	D068 5103	PCB:BICU:GW:AA	1
13	B129 1307	BICU Insulating Sheet	1
14	AA17 0026	Insulating Sheet Power Pack	1
15	B129 1301	BICU Shadeing Plate	1
16	D067 5021	Power Supply Cord:NA	1
16	B262 5023	Power Supply Cord:Stopper:EU:Ass'y	1
17	D067 5223	Harness:Paper Feed Table:Connecting	1
18	B129 1313	Spring Plate - Gwctl	1
19	B129 1303	Rear Cover Bracket	1
20	AZ23 0226	Power Supply Unit:S-C3:100V	1
20	AZ23 0162	Power Supply Unit:200V	1
21	B262 5209	Harness:AC:Fusing:NA	1
21	B262 5208	Harness:AC:Fusing:EU	1
22	AX31 0049	Total Counter:7Fig:24V	1
23	B262 5805	Holder:Ferrite Core	1
24	H555 5150	Ferrite Core	1
25	B262 5236	Flat Cable:SBU	1
27	D067 5223	Harness:Paper Feed Table:Connecting	1
28	AA14 3592	Screw- M4x6	1
29	B262 1314	Bracket:Basic	1

Index No.	Part No.	Description	Q'ty Per Assembly
101	0450 3035N	Tapping Screw:3x35	
102	0450 3008N	Tapping Screw - M3x8	
103	0451 3006N	Tapping Screw - 3x6	
104	1105 0522	Edge Saddle - LES0510	
105	1105 0487	Harness Clamp	



## 20.Frame Section (D067/D068/D069/D072)

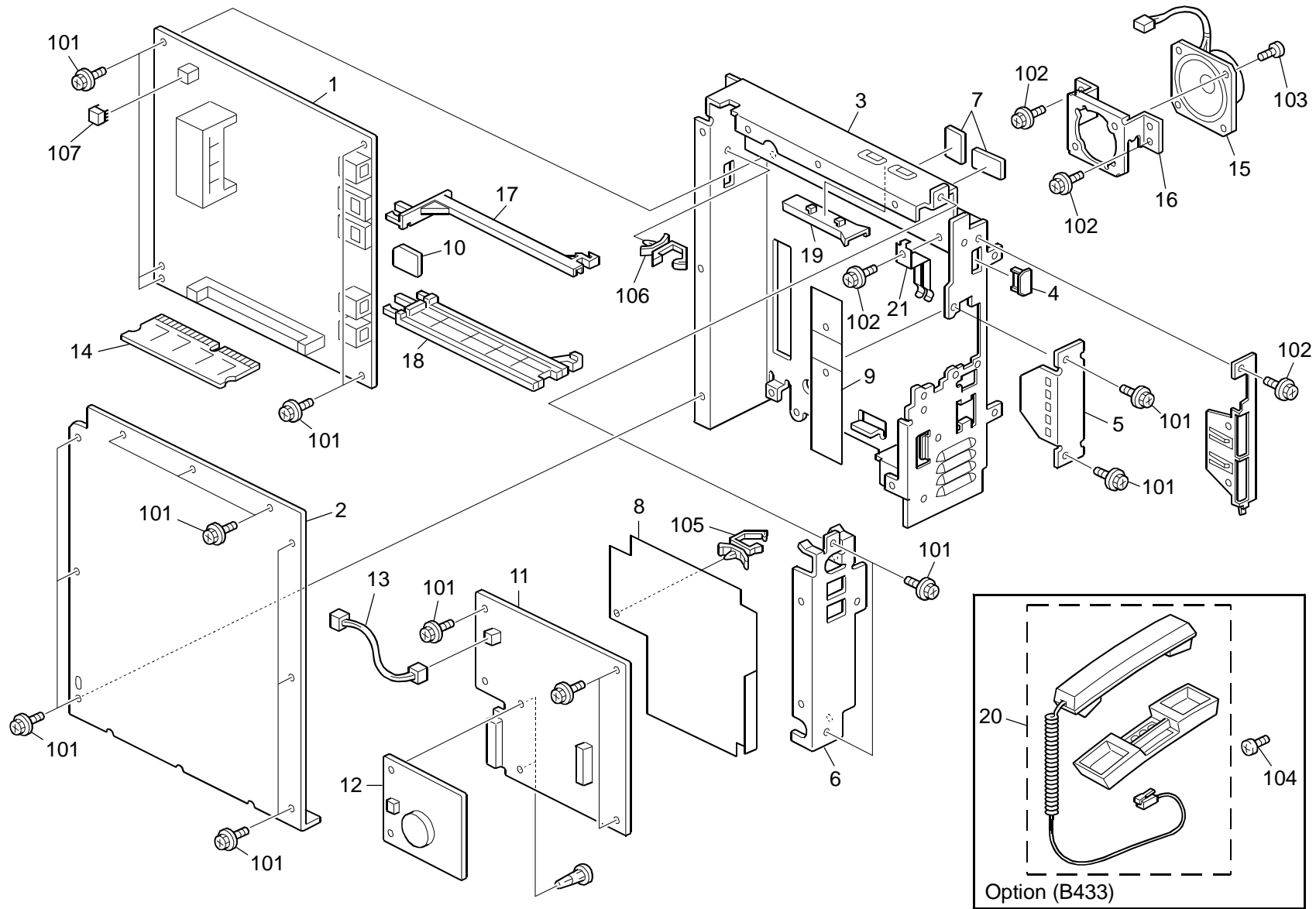


**20.Frame Section (D067/D068/D069/D072)**

Index No.	Part No.	Description	Q'ty Per Assembly
1	B044 1060	Scanner Unit Stay	1
2	B262 2623	Guide - Paper Dust Remover	1
3	D067 5235	Ground Wire:Cassette	2
4	B044 1998	Plate:Harness:Imaging Unit	1
5	B129 1300	BICU Bracket	1
6	G512 3029	Rubber Foot	2
7	B044 2651	Right Rail	1
8	B044 5300	Paper End Sensor	1
9	B129 1060	PSU Stay	1
10	B044 1066	Ground Plate - Option Tray	1
11	B044 1105	Positioning Plate - Toner Bottle	1
12	B044 1061	Base Bracket	1
13	B044 1062	Base Bracket - Paper Feed	1
14	B044 2202	Mylar-Quenching Lamp	1
15	B129 1315	Separation Bracket	1
16	B129 1302	Power Supply Unit Bracket	1
17	B044 2617	Holder Ass'y - Paper Dust Removal	1

Index No.	Part No.	Description	Q'ty Per Assembly
101	0450 3008N	Tapping Screw - M3x8	
102	0954 3008N	Screw - M3x8	
103	0451 3006N	Tapping Screw - 3x6	
104	0450 3010N	Tapping Screw - M3x10	
105	1105 0409	Card Spacer- 6.4mm	
106	1105 0511	Harness Clamp - LWS-0306ZC	
107	1105 0522	Edge Saddle - LES0510	

## 21.Extension Box (D068/D069/D072)

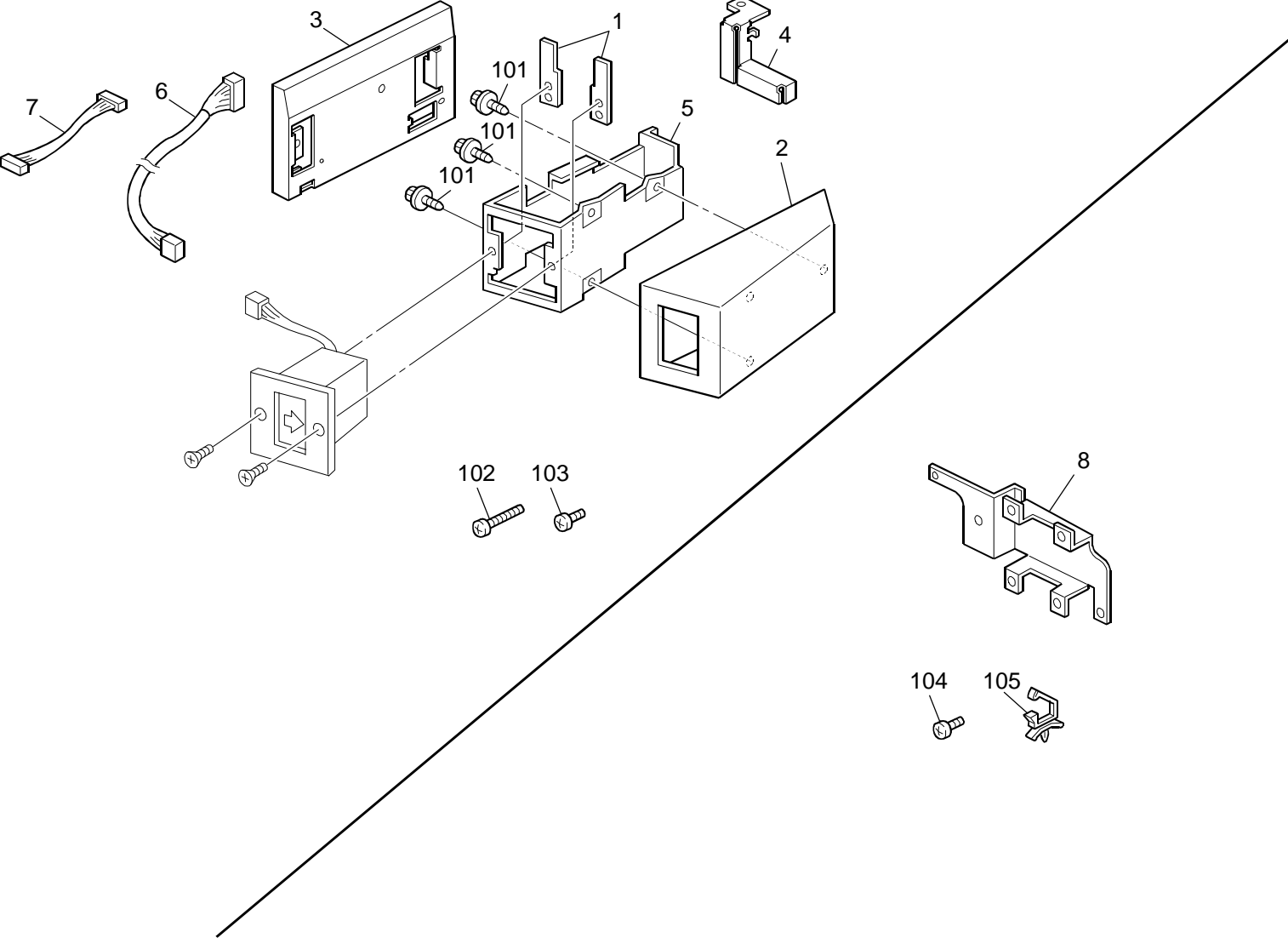


## 21.Extension Box (D068/D069/D072)

Index No.	Part No.	Description	Q'ty Per Assembly
1	D068 5710	PCB:CTL	1
2	D067 1330	Shadeing Plate:GWCTL	1
3	D067 1301	Bracket:PCB:GW	1
4	D009 5871	Connector Cap - USB-A	1
5	B129 1309	Interface Cover	1
6	D067 1308	Bracket:Fax Control Unit	1
7	H547 4203	Guide Plate Sponge	2
8	D067 1314	Insulating Sheet:Fax Control Unit	1
9	D067 1313	Insulating Sheet:CTL	1
10	D069 5099	SD-Card:SpF	1
11	D401 5132	PCB:GWFCU3:NA:Ass'y	1
11	D401 5134	PCB:GWFCU3:EU:Ass'y	1
12	D068 5080	PCB:MBU	1
13	D068 5230	Speaker Interface Harness	1
14	B584 5120	PCB:DDR1-DIMM-32B:128MB:Ass'y	1
14	B585 5140	PCB:DDR1-DIMM-32B:512MB:Ass'y	1
15	B284 5050	Speaker:B284	1
16	B262 1311	Bracket:Speaker	1
17	D009 5899	Right Rail - Small	1
18	D009 5891	Left Rail - Fax Control Unit	1
19	H556 5857	OPIF Rail	1
20	B433 5003	Hand Set:MLG:390:EXP:Ass'y	1
21	D067 1311	Ground Plate:USB	1
22	D067 1310	Ground Plate:Expand:CTL	1

Index No.	Part No.	Description	Q'ty Per Assembly
101	0451 3006N	Tapping Screw - 3x6	
102	0360 3006N	Screw - M3x6	
103	0453 3006N	Tapping Screw - M3x6	
104	0353 0080N	Screw:M3x8	
105	1105 0511	Harness Clamp - LWS-0306ZC	
106	1105 0487	Harness Clamp	
107	1407 6732	RAM:FM25L512-PGC(REV.AC):512K	

22. Accessory (D067/D068/D069/D072)



**22.Accessory (D067/D068/D069/D072)**

Index No.	Part No.	Description	Q'ty Per Assembly
1	A509 1063	Plate Nut	2
2	A509 1260	Holder Cover	1
3	B262 1318	Bracket:Key Counter Holder	1
4	B262 1319	Cover:Harness:Key Counter Holder	1
5	B262 1324	Bracket:Key Counter Holder	1
6	D067 5261	Harness:Key Counter	1
7	D067 5299	Harness:Key Counter:Connecting	1
8	B262 1310	Bracket:MKB	1

Index No.	Part No.	Description	Q'ty Per Assembly
101	0450 4008N	Tapping Screw - M4x8	
102	0354 0160N	Screw:M4x16	
103	0353 0080N	Screw:M3x8	
104	0353 0060N	Bind Screw - M3x6	
105	1105 0508	Harness Clamp - LWS-0711	

## 23.CTL Board (D068/D069/D072)

### BAT

SYMBOL NO.	INDEX NO.
BAT1	116

### CAPACITOR

SYMBOL NO.	INDEX NO.
---	---
---	---
---	---
C4	188
C5	186
C6	179
C7	182
C8	176
C9	179
C10	204

SYMBOL NO.	INDEX NO.
C11	188
C12	190
C13	175
C14	211
---	---
---	---
C17	188
---	---
C19	188
C20	190

SYMBOL NO.	INDEX NO.
---	---
---	---
---	---
C24	175
C25	186
---	---
C27	174
C28	174
C29	186
C30	211

SYMBOL NO.	INDEX NO.
C31	186
C32	173
C33	204
---	---
---	---
---	---
---	---
---	---
C39	173
---	---

SYMBOL NO.	INDEX NO.
C41	179
C42	181
C43	202
C44	187
C45	179
C46	188
C47	205
C48	185
C49	211
C50	175

SYMBOL NO.	INDEX NO.
---	---
---	---
---	---
C54	188
C55	188
C56	175
C57	188
C58	188
C59	188
C60	188

### CAPACITOR

SYMBOL NO.	INDEX NO.
C61	185
C62	201
C63	201
C64	182
---	---
C66	188
C67	198
C68	188
C69	198
C70	192

SYMBOL NO.	INDEX NO.
C71	181
C72	189
C73	182
C74	188
---	---
C76	207
C77	188
C78	182
C79	188
C80	185

SYMBOL NO.	INDEX NO.
C81	178
---	---
---	---
C84	185
---	---
C86	185
---	---
C88	192
C89	190
C90	185

SYMBOL NO.	INDEX NO.
C91	182
C92	193
C93	188
C94	182
C95	182
C96	188
C97	182
C98	175
C99	188
---	---

SYMBOL NO.	INDEX NO.
---	---
C102	179
C103	182
C104	177
---	---
---	---
C107	175
---	---
---	---
---	---

SYMBOL NO.	INDEX NO.
C111	176
---	---
---	---
---	---
C115	182
C116	188
---	---
C118	181
C119	211
---	---

SYMBOL NO.	INDEX NO.
C121	175
---	---
---	---
C124	172
C125	188
C126	188
C127	188
C128	188
C129	176
C130	194

## 23.CTL Board (D068/D069/D072)

### CAPACITOR

SYMBOL NO.	INDEX NO.	SYMBOL NO.	INDEX NO.	SYMBOL NO.	INDEX NO.	SYMBOL NO.	INDEX NO.	SYMBOL NO.	INDEX NO.	SYMBOL NO.	INDEX NO.	SYMBOL NO.	INDEX NO.
C131	182	C141	194	C151	172	C161	188	C171	188	C181	188	C191	190
C132	185	C142	194	C152	182	C162	188	C172	188	C182	200	C192	190
C133	190	C143	182	---	---	C163	201	C173	200	C183	182	C193	182
C134	175	C144	186	C154	185	C164	182	---	---	C184	182	C194	198
C135	303	C145	182	---	---	C165	204	C175	182	C185	188	C195	186
---	---	C146	182	C156	200	---	---	C176	188	C186	185	C196	182
C137	194	C147	186	C157	182	C167	204	C177	188	C187	185	C197	180
C138	211	C148	172	---	---	---	---	C178	180	C188	182	C198	188
C139	194	---	---	C159	188	C169	188	C179	188	C189	188	C199	186
C140	194	C150	182	C160	188	C170	198	C180	188	C190	188	C200	181

### CAPACITOR

SYMBOL NO.	INDEX NO.	SYMBOL NO.	INDEX NO.	SYMBOL NO.	INDEX NO.	SYMBOL NO.	INDEX NO.	SYMBOL NO.	INDEX NO.	SYMBOL NO.	INDEX NO.	SYMBOL NO.	INDEX NO.
C201	180	C211	201	C221	198	C231	186	C241	188	C251	181	C261	182
C202	182	C212	188	C222	186	C232	180	C242	185	C252	188	C262	185
C203	186	C213	190	C223	180	C233	196	C243	188	C253	188	C263	185
C204	182	C214	186	C224	182	C234	188	C244	188	C254	185	C264	185
C205	201	C215	186	C225	198	C235	182	C245	182	C255	182	C265	182
C206	182	C216	180	C226	186	C236	180	---	---	C256	188	---	---
C207	185	C217	201	C227	182	C237	185	C247	209	C257	188	C267	174
C208	198	C218	205	C228	199	C238	203	C248	188	---	---	C268	185
C209	180	C219	182	C229	186	C239	188	C249	188	---	---	C269	185
C210	180	C220	188	C230	186	C240	188	C250	198	C260	182	C270	182



## 23.CTL Board (D068/D069/D072)

### CAPACITOR

SYMBOL NO.	INDEX NO.	SYMBOL NO.	INDEX NO.	SYMBOL NO.	INDEX NO.	SYMBOL NO.	INDEX NO.	SYMBOL NO.	INDEX NO.	SYMBOL NO.	INDEX NO.	SYMBOL NO.	INDEX NO.
C271	185	C281	188	C291	185	C301	182	C311	185	C321	198	C331	188
C272	182	C282	188	C292	188	C302	191	C312	185	C322	182	C332	182
C273	182	---	---	C293	198	C303	182	C313	185	C323	185	C333	198
C274	182	C284	174	C294	177	C304	191	C314	185	C324	185	C334	198
C275	185	C285	205	C295	182	C305	182	C315	185	C325	198	C335	186
C276	182	C286	188	C296	185	C306	182	C316	185	C326	185	C336	182
C277	182	C287	182	C297	182	C307	182	C317	182	C327	201	C337	180
C278	188	C288	185	C298	191	C308	182	C318	203	C328	205	C338	180
C279	182	C289	182	C299	182	C309	185	C319	188	C329	186	C339	186
C280	185	C290	185	C300	191	C310	205	C320	182	C330	188	C340	190

### CAPACITOR

SYMBOL NO.	INDEX NO.	SYMBOL NO.	INDEX NO.	SYMBOL NO.	INDEX NO.	SYMBOL NO.	INDEX NO.	SYMBOL NO.	INDEX NO.	SYMBOL NO.	INDEX NO.	SYMBOL NO.	INDEX NO.
C341	182	C351	196	C361	188	C371	188	C381	182	C391	185	C401	204
C342	188	---	---	C362	182	C372	188	C382	185	C392	204	C402	204
C343	182	C353	182	C363	185	C373	188	C383	185	C393	182	C403	204
C344	182	C354	182	C364	185	C374	182	C384	185	C394	185	---	---
C345	185	C355	185	C365	188	C375	185	C385	182	C395	185	---	---
C346	198	C356	182	C366	188	C376	185	C386	185	C396	180	C406	188
C347	185	C357	181	C367	205	C377	185	C387	182	C397	180	C407	182
C348	205	C358	201	C368	205	C378	182	C388	185	---	---	C408	185
C349	188	C359	185	C369	198	C379	205	C389	182	---	---	C409	185
C350	182	C360	188	C370	182	C380	182	C390	182	---	---	C410	204

## 23.CTL Board (D068/D069/D072)

### CAPACITOR

SYMBOL NO.	INDEX NO.	SYMBOL NO.	INDEX NO.	SYMBOL NO.	INDEX NO.	SYMBOL NO.	INDEX NO.	SYMBOL NO.	INDEX NO.	SYMBOL NO.	INDEX NO.	SYMBOL NO.	INDEX NO.
C411	190	C421	182	C431	198	C441	188	C451	188	C461	182	---	---
C412	204	C422	180	C432	204	C442	182	C452	188	C462	188	C472	185
C413	190	C423	205	C433	204	---	---	C453	188	C463	182	C473	188
C414	204	C424	204	C434	204	C444	188	C454	185	C464	185	C474	188
C415	206	C425	185	C435	204	---	---	C455	181	---	---	C475	185
C416	198	C426	190	C436	204	C446	188	C456	182	C466	188	C476	182
C417	190	C427	182	C437	188	---	---	C457	182	C467	182	C477	185
C418	188	C428	190	C438	188	---	---	C458	188	---	---	C478	182
C419	188	C429	204	C439	188	C449	188	C459	182	C469	198	C479	184
C420	188	C430	204	C440	182	C450	197	C460	188	C470	205	---	---

### CAPACITOR

SYMBOL NO.	INDEX NO.	SYMBOL NO.	INDEX NO.	SYMBOL NO.	INDEX NO.	SYMBOL NO.	INDEX NO.	SYMBOL NO.	INDEX NO.	SYMBOL NO.	INDEX NO.	SYMBOL NO.	INDEX NO.
C481	188	C491	185	C501	196	C511	188	C521	203	C531	181	C541	302
---	---	C492	190	C502	182	C512	185	C522	185	C532	181	C542	302
---	---	C493	188	C503	185	C513	208	C523	182	C533	182	C543	301
C484	205	C494	181	C504	188	C514	203	C524	183	C534	182	C544	300
---	---	C495	182	C505	182	C515	209	C525	182	---	---	C545	182
---	---	C496	204	C506	185	C516	209	C526	208	C536	185	C546	185
C487	188	C497	181	C507	178	C517	182	C527	185	C537	185	C547	205
C488	185	C498	182	C508	194	C518	188	C528	185	---	---	C548	175
---	---	C499	185	C509	182	C519	188	---	---	C539	300	C549	176
C490	182	---	---	C510	185	C520	182	C530	181	C540	301	C550	300

## 23.CTL Board (D068/D069/D072)

### CAPACITOR

SYMBOL NO.	INDEX NO.	SYMBOL NO.	INDEX NO.	SYMBOL NO.	INDEX NO.	SYMBOL NO.	INDEX NO.	SYMBOL NO.	INDEX NO.	SYMBOL NO.	INDEX NO.	SYMBOL NO.	INDEX NO.
C551	301	C561	302	C571	300	---	---	C597	182	C611	182	C621	185
C552	302	---	---	C572	301	---	---	C598	198	C612	182	C622	196
C553	302	C563	203	C573	302	C583	195	C599	198	C613	182		
C554	301	C564	302	C574	302	C584	172	C600	196	C614	204		
C555	300	C565	301	C575	301	C585	194	C601	209	C615	182		
								C603	205				
C556	176	C566	300	C576	300	C586	188	C604	210	C616	182		
C557	205	C567	194	C577	172	C587	188	C606	190	C617	188		
C558	176	C568	194	C578	188	C588	188	C608	198	C618	188		
C559	300	C569	194	---	---	C589	188	C609	201	C619	188		
C560	301	C570	188	---	---	C590	188	C610	188	C620	210		

### CONNECTOR

SYMBOL NO.	INDEX NO.	SYMBOL NO.	INDEX NO.
---	---	---	---
---	---	CN702	108
---	---	CN703	109
---	---	---	---
---	---	CN705	105
---	---	CN706	105
---	---	CN707	106
---	---	CN708	103
---	---	CN709	107
CN700	104	CN710	102

SYMBOL NO.	INDEX NO.
CN711	101

### DIODE

SYMBOL NO.	INDEX NO.
D1	125
D2	125
D3	125
D4	124
D5	123
---	---
D7	123
D8	126
D9	123
D10	123

### RN

SYMBOL NO.	INDEX NO.
D11	123

### FIL

SYMBOL NO.	INDEX NO.
FIL1	213
FIL2	213
FIL3	214
FIL4	218
FIL5	218
FIL6	217
FIL7	212
FIL8	214
FIL9	214
FIL10	214

SYMBOL NO.	INDEX NO.
FIL11	215
FIL12	215
FIL13	212
FIL14	212
FIL15	212
FIL16	215
FIL17	217

## 23.CTL Board (D068/D069/D072)

### FUSE

SYMBOL NO.	INDEX NO.
FU1	113
FU2	111
FU3	112

### IC

SYMBOL NO.	INDEX NO.
IC1	143
IC2	150
---	---
IC4	139
IC5	157
---	---
IC6	142
IC7	141
---	---
IC9	148
IC10	158

SYMBOL NO.	INDEX NO.
---	---
---	---
IC13	137
---	---
---	---
---	---
---	---
IC17	159
---	---
IC19	138
IC20	147

SYMBOL NO.	INDEX NO.
IC21	140
---	---
IC23	146
IC24	130
IC25	307
---	---
IC26	110
IC27	133
---	---
---	---
---	---

SYMBOL NO.	INDEX NO.
IC31	305
---	---
IC33	132
IC34	132
IC35	306
---	---
---	---
IC37	144
---	---
---	---
---	---
IC40	154

SYMBOL NO.	INDEX NO.
IC41	306
IC42	153
IC43	134
IC44	132
IC45	304
---	---
IC46	149
---	---
---	---
IC49	156
IC50	145

SYMBOL NO.	INDEX NO.
---	---
IC52	145
---	---
IC54	132
IC55	146
---	---
IC56	146
IC57	151
IC58	152
IC59	145
IC60	146

### IC

SYMBOL NO.	INDEX NO.
IC61	136
IC62	155
IC63	131
---	---
IC65	151
---	---
IC66	146
IC67	135
IC68	134
---	---
---	---

SYMBOL NO.	INDEX NO.
---	---
IC72	151
IC73	133
IC74	151

### L

SYMBOL NO.	INDEX NO.
L1	219
L2	219
L3	216
L4	220
L5	220
---	---
L6	221

### LED

SYMBOL NO.	INDEX NO.
LED1	129
LED2	128
LED3	127

### OSC

SYMBOL NO.	INDEX NO.
OSC1	161
OSC2	160
OSC3	163
OSC4	162
OSC5	164

### Q

SYMBOL NO.	INDEX NO.
Q1	119
Q2	119
---	---
Q4	120
Q5	121
---	---
---	---
---	---
Q9	118
Q10	122

SYMBOL NO.	INDEX NO.
Q11	117
Q12	117

## 23.CTL Board (D068/D069/D072)

### RESISTOR

SYMBOL NO.	INDEX NO.	SYMBOL NO.	INDEX NO.	SYMBOL NO.	INDEX NO.	SYMBOL NO.	INDEX NO.	SYMBOL NO.	INDEX NO.	SYMBOL NO.	INDEX NO.	SYMBOL NO.	INDEX NO.
R1	234	R11	268	R21	281	R31	270	R41	286	R51	271	R61	262
R2	234	R12	234	R22	292	R32	253	R42	286	R52	262	R62	241
R3	282	R13	291	R23	270	R33	259	R43	253	R53	241	R63	271
R4	234	---	---	R24	292	R34	267	R44	241	R54	253	R64	251
R5	234	R15	270	R25	290	R35	282	R45	241	R55	295	R65	262
R6	234	R16	265	R26	270	R36	271	R46	271	R56	290	R66	235
R7	282	R17	234	R27	283	R37	271	R47	285	R57	262	R67	262
R8	268	R18	251	R28	290	R38	277	R48	271	R58	241	R68	251
R9	285	R19	281	R29	292	---	---	R49	251	R59	283	R69	283
R10	261	R20	292	R30	251	---	---	R50	285	R60	271	R70	235

### RESISTOR

SYMBOL NO.	INDEX NO.	SYMBOL NO.	INDEX NO.	SYMBOL NO.	INDEX NO.	SYMBOL NO.	INDEX NO.	SYMBOL NO.	INDEX NO.	SYMBOL NO.	INDEX NO.	SYMBOL NO.	INDEX NO.
R71	262	R81	253	R91	272	R101	248	R111	283	R121	290	R131	240
R72	270	R82	253	---	---	R102	278	R112	268	---	---	R132	270
R73	290	R83	251	R93	283	R103	283	R113	270	R123	272	R133	270
R74	268	R84	290	R94	271	R104	251	---	---	R124	271	R134	270
---	---	R85	271	R95	297	---	---	---	---	R125	239	R135	298
R76	290	R86	283	R96	294	R106	297	R116	290	R126	251	R136	298
R77	282	R87	271	R97	271	---	---	R117	290	R127	245	R137	283
R78	282	R88	283	R98	284	R108	253	R118	272	R128	290	R138	247
R79	271	R89	271	R99	283	R109	290	R119	240	R129	283	---	---
R80	297	R90	283	R100	271	R110	283	R120	279	R130	271	R140	247

## 23.CTL Board (D068/D069/D072)

### RESISTOR

SYMBOL NO.	INDEX NO.	SYMBOL NO.	INDEX NO.	SYMBOL NO.	INDEX NO.	SYMBOL NO.	INDEX NO.	SYMBOL NO.	INDEX NO.	SYMBOL NO.	INDEX NO.	SYMBOL NO.	INDEX NO.
R141	240	R151	271	R161	251	R171	283	R181	251	R191	234	R201	240
R142	241	---	---	R162	270	R172	283	R182	241	R192	235	---	---
---	---	R153	271	R163	283	R173	283	R183	241	---	---	---	---
---	---	R154	270	R164	289	R174	283	R184	283	---	---	R204	251
R145	240	R155	270	R165	251	---	---	R185	251	R195	268	R205	251
---	---	R156	270	R166	250	R176	244	R186	240	---	---	---	---
R147	241	R157	247	R167	251	R177	288	---	---	R197	273	R207	240
R148	287	R158	247	R168	251	R178	240	R188	253	R198	241	R208	278
R149	253	R159	296	R169	268	R179	241	R189	240	---	---	---	---
R150	283	R160	240	R170	283	R180	283	R190	288	---	---	R210	239

### RESISTOR

SYMBOL NO.	INDEX NO.	SYMBOL NO.	INDEX NO.	SYMBOL NO.	INDEX NO.	SYMBOL NO.	INDEX NO.	SYMBOL NO.	INDEX NO.	SYMBOL NO.	INDEX NO.	SYMBOL NO.	INDEX NO.
---	---	---	---	R231	264	R241	251	R251	241	R261	251	---	---
R212	242	R222	264	R232	240	---	---	R252	241	R262	260	R272	269
R213	230	R223	241	R233	240	R243	266	---	---	---	---	R273	268
R214	230	R224	234	---	---	R244	264	R254	240	---	---	R274	251
---	---	R225	268	R235	235	R245	264	R255	251	R265	251	R275	241
---	---	R226	240	R236	264	R246	235	R256	263	R266	241	---	---
---	---	R227	293	R237	264	R247	264	R257	241	R267	251	R277	241
R218	242	R228	264	R238	241	R248	251	---	---	R268	241	---	---
---	---	---	---	R239	251	---	---	---	---	R269	268	R279	251
---	---	R230	264	R240	251	---	---	R260	268	R270	241	---	---

## 23.CTL Board (D068/D069/D072)

### RESISTOR

SYMBOL NO.	INDEX NO.	SYMBOL NO.	INDEX NO.	SYMBOL NO.	INDEX NO.	SYMBOL NO.	INDEX NO.	SYMBOL NO.	INDEX NO.	SYMBOL NO.	INDEX NO.	SYMBOL NO.	INDEX NO.
---	---	R291	244	R301	241	R311	251	R321	234	R331	234	---	---
R282	235	R292	234	R302	251	R312	234	R322	239	---	---	R342	239
R283	260	R293	239	R303	251	---	---	R323	251	R333	282	---	---
R284	241	R294	244	R304	251	R314	241	R324	251	---	---	---	---
R285	240	R295	241	R305	251	---	---	R325	241	R335	277	---	---
---	---	---	---	R306	251	---	---	---	---	---	---	R346	270
R287	268	R297	241	R307	241	R317	241	R327	241	R337	234	---	---
R288	268	R298	241	R308	241	R318	255	R328	241	---	---	R348	290
R289	240	---	---	R309	251	R319	234	R329	241	R339	282	---	---
R290	234	---	---	R310	251	R320	234	---	---	---	---	---	---

### RESISTOR

SYMBOL NO.	INDEX NO.	SYMBOL NO.	INDEX NO.	SYMBOL NO.	INDEX NO.	SYMBOL NO.	INDEX NO.	SYMBOL NO.	INDEX NO.	SYMBOL NO.	INDEX NO.	SYMBOL NO.	INDEX NO.
---	---	R361	241	R371	249	R381	251	R391	288	R401	290	R411	243
---	---	---	---	R372	282	R382	272	R392	235	R402	235	R412	232
R353	234	R363	253	R373	251	R383	272	R393	271	R403	290	R413	231
---	---	R364	234	R374	251	---	---	R394	276	R404	271	R414	271
---	---	R365	234	R375	283	R385	288	R395	297	R405	271	R415	239
R356	234	---	---	R376	274	R386	272	R396	297	R406	243	---	---
R357	253	---	---	R377	282	R387	272	R397	235	---	---	R417	271
R358	253	R368	239	R378	282	R388	271	R398	271	R408	235	R418	288
R359	283	R369	241	R379	282	R389	297	R399	271	R409	271	R419	297
---	---	---	---	R380	282	R390	288	---	---	R410	271	R420	271

## 23.CTL Board (D068/D069/D072)

### RESISTOR

SYMBOL NO.	INDEX NO.	SYMBOL NO.	INDEX NO.	SYMBOL NO.	INDEX NO.	SYMBOL NO.	INDEX NO.	SYMBOL NO.	INDEX NO.	SYMBOL NO.	INDEX NO.	SYMBOL NO.	INDEX NO.
R421	283	---	---	R441	271	R451	240	R461	271	---	---	---	---
---	---	R432	283	R442	268	R452	251	R462	283	---	---	R482	240
R423	288	R433	271	---	---	R453	297	R463	241	---	---	R483	241
R424	297	R434	283	R444	271	---	---	R464	241	---	---	R484	270
---	---	R435	271	R445	271	---	---	---	---	---	---	---	---
R426	283	R436	252	R446	283	---	---	---	---	---	---	---	---
R427	297	R437	271	R447	270	R457	240	---	---	R477	271	R487	251
R428	252	R438	275	R448	232	R458	233	R468	271	R478	251	R488	271
R429	268	R439	251	---	---	---	---	R469	251	R479	251	R489	241
R430	268	R440	271	R450	271	R460	271	R470	241	R480	240	R490	251

### RESISTOR

SYMBOL NO.	INDEX NO.	SYMBOL NO.	INDEX NO.	SYMBOL NO.	INDEX NO.	SYMBOL NO.	INDEX NO.	SYMBOL NO.	INDEX NO.	SYMBOL NO.	INDEX NO.	SYMBOL NO.	INDEX NO.
R491	280	R501	288	---	---	R521	247	R531	272	R541	283	R551	251
R492	268	R502	288	---	---	---	---	R532	240	R542	283	R552	251
R493	268	R503	240	R513	240	R523	240	R533	270	R543	247	R553	283
---	---	R504	241	R514	234	---	---	R534	270	R544	247	R554	251
R495	271	---	---	---	---	---	---	R535	272	R545	240	R555	246
R496	288	R506	241	---	---	R526	239	R536	251	R546	283	---	---
R497	251	---	---	R517	241	R527	247	R537	283	R547	283	R557	240
---	---	R508	234	R518	288	R528	241	R538	270	R548	247	R558	247
R499	271	R509	271	R519	247	R529	240	R539	251	R549	239	R559	246
R500	272	R510	272	---	---	R530	240	R540	283	R550	251	R560	246



## 23.CTL Board (D068/D069/D072)

### RESISTOR

SYMBOL NO.	INDEX NO.	SYMBOL NO.	INDEX NO.	SYMBOL NO.	INDEX NO.	SYMBOL NO.	INDEX NO.	SYMBOL NO.	INDEX NO.	SYMBOL NO.	INDEX NO.	SYMBOL NO.	INDEX NO.
---	---	R571	239	R581	257	R591	253	---	---	R611	241	R621	282
R562	283	R572	252	R582	257	R592	253	R602	282	R612	251	R622	240
R563	251	R573	253	R583	257	R593	241	R603	282	R613	254	R623	240
---	---	---	---	---	---	R594	253	R604	282	R614	254	R624	240
R565	283	---	---	R585	252	R595	236	---	---	---	---	R625	241
R566	244	R576	240	R586	252	R596	238	---	---	R616	251	---	---
R567	244	R577	240	R587	282	R597	238	R607	268	---	---	---	---
---	---	R578	257	R588	254	---	---	R608	268	R618	254	R628	271
R569	241	R579	257	---	---	R599	237	R609	299	R619	282	---	---
R570	283	R580	257	R590	268	R600	250	R610	234	R620	254	---	---

### RESISTOR

SYMBOL NO.	INDEX NO.	SYMBOL NO.	INDEX NO.	SYMBOL NO.	INDEX NO.	SYMBOL NO.	INDEX NO.	SYMBOL NO.	INDEX NO.	SYMBOL NO.	INDEX NO.	SYMBOL NO.	INDEX NO.
R631	241	R641	251	R651	268	R661	251	R671	251	R681	234	R691	235
R632	241	R642	253	R652	253	R662	285	R672	251	R682	234	R692	258
R633	251	R643	272	---	---	---	---	---	---	R683	235	R693	234
R634	252	R644	256	---	---	R664	253	---	---	R684	235	R694	235
R635	268	R645	254	---	---	R665	268	R675	283	---	---	R695	234
R636	251	R646	285	---	---	---	---	R676	283	---	---	---	---
R637	251	R647	282	---	---	R667	271	R677	270	R687	251	R697	235
R638	251	---	---	---	---	R668	251	R678	241	R688	251	R698	235
R639	240	---	---	---	---	R669	251	R679	283	R689	235	R699	247
R640	251	R650	268	R660	251	R670	251	---	---	R690	235	R700	234

## 23.CTL Board (D068/D069/D072)

### RESISTOR

SYMBOL NO.	INDEX NO.
---	---
---	---
R703	235
---	---
R705	268
---	---
---	---
---	---
R708	270
R709	268
R710	241

SYMBOL NO.	INDEX NO.
R711	247
---	---
---	---
R714	234
---	---
---	---
R717	234
---	---
R719	234
R720	247

SYMBOL NO.	INDEX NO.
R721	247
R722	247
---	---
---	---
R725	247
---	---
---	---
---	---
---	---
---	---
---	---

SYMBOL NO.	INDEX NO.
---	---
---	---
---	---
R734	268
---	---
---	---
---	---
R739	234
---	---

SYMBOL NO.	INDEX NO.
---	---
---	---
---	---
---	---
R765	251
---	---
R766	251

### RN

SYMBOL NO.	INDEX NO.
RN1	167
RN2	224
RN3	165
RN4	169
RN5	222
---	---
RN6	165
RN7	167
RN8	227
RN9	227
RN10	226

SYMBOL NO.	INDEX NO.
RN11	226
RN12	224
RN13	226
RN14	228
RN15	168
---	---
RN16	166
RN17	228
RN18	224
RN19	227
RN20	223

### RN

SYMBOL NO.	INDEX NO.
RN21	167
RN22	223
RN23	170
RN24	227
RN25	167
---	---
RN26	225
RN27	223
RN28	167
RN29	225
RN30	222

SYMBOL NO.	INDEX NO.
RN31	222
RN32	222
RN33	222
RN34	225
RN35	223
---	---
RN36	165
RN37	225
RN38	225
RN39	165
RN40	223

SYMBOL NO.	INDEX NO.
RN41	225
RN42	224
RN43	223
RN44	169
RN45	165
---	---
RN46	165
RN47	165
RN48	223
---	---
RN50	225

SYMBOL NO.	INDEX NO.
RN51	168
RN52	223
RN53	229
RN54	229
RN55	222
---	---
RN56	226
---	---
RN58	165
---	---
RN60	226

SYMBOL NO.	INDEX NO.
---	---
RN62	165
---	---
RN64	229
RN65	228
---	---
RN66	222
RN67	229
RN68	171
RN69	223
RN70	222

SYMBOL NO.	INDEX NO.
RN71	228
RN72	225
RN73	222
RN74	171
RN75	167
---	---
RN76	228
---	---
RN78	228
RN79	223
RN80	222

SYMBOL NO.	INDEX NO.
RN81	170

### SW

SYMBOL NO.	INDEX NO.
SW1	114
SW2	115



### 23.CTL Board (D068/D069/D072)



Index No.	Part No.	Description	Q'ty Per Assembly
*	D068 5710	PCB:CTL	

Index No.	Part No.	Description	Q'ty Per Assembly
101	1102 7615	Connector - B8B-XH-A	
102	1102 8212	Connector:TX24-50R-10ST-H1E	
103	1102 8329	Connector - USB - UBB-4R-D14C	
104	1102 9181	Connector:TX24-100R-12ST-N1E	
105	1102 9336	Connector:FPS009-2300-0	
106	1102 9890	Connector:5-1605706-2	
107	1102 9956	Connector:UBA-4R-D14T-4D(LF)(SN)	
108	1103 4043	Connector:87825-1001	
109	1103 4234	RHM-176P-SDK11-UH1L1C(LF)(SN)	
110	1104 0821	IC Socket:16008-B0A0020N	
111	1107 1083	Fuse:SST 4	
112	1107 1099	Fuse SST 5	
113	1109 0009	Fuse:MINISMDC075F	
114	1204 2464	Switch:SKHMQKE010	
115	1204 2791	Dip Switch:DM-04-V	
116	1206 0124	Lithium Cell:CR2032VO4H/Z	
117	1401 1318	FET - HAT2198R	
118	1401 1415	FET:SI3434DV-E3	
119	1401 1448	FET:SI3447BDV-E3	
120	1401 1466	FET:SI4800BDY-E3	
121	1401 1474	FET:SI3443BDV-E3	
122	1401 1475	FET:SI3867DV-E3	
123	1402 1336	Diode - 1SS355	
124	1402 1365	Diode-RB751V-40	
125	1402 1929	Diode:RB160M-30	
126	1402 2039	Diode:RSX301LA-30	
127	1403 0953	LED - SML-310MT	
128	1403 0978	LED:SML-310DT	
129	1403 1131	LED:SML-311UT	
130	1407 5009	CMOS Logic:TC7SET04FU	
131	1407 5190	CMOS Logic:TC7SZ08FU	
132	1407 5351	IC - SN74LV14APW	
133	1407 5482	IC - SN74LVC07APW	
134	1407 5520	IC - SN74LVC125APW	
135	1407 5523	ROM - I2C SOP 3V	

Index No.	Part No.	Description	Q'ty Per Assembly
136	1407 5528	IC - SN74LVC126APW	
137	1407 6145	IC:SN74LVC373APW	
138	1407 6265	Real Time Clock:R2025S	
139	1407 6305	CPU:RM5231A-400L-B002	
140	1407 6400	Clock Generator - ICS960013BFLF	
141	1407 6671	USB Controller:UPD720102GC-YEB-A	
142	1407 6723	Custom IC:CORNET	
143	1407 6741	LAN Controller LSI:DP83848JSQ/NOPB	
144	1407 6801	CMOS Logic:TC7PA17FU	
145	1407 6803	CMOS Logic:TC7SZ07FU	
146	1407 6853	CMOS Logic:HD74LV1GW17ACM	
147	1407 6863	Controller:ST19WP18FT28PVG1	
148	1407 6898	CMOS Logic:TC7WH126FK	
149	1407 6899	CMOS Logic:TC7WH125FK	
150	1407 6944	USB Controller IC:ST72681/R21	
151	1407 6951	CMOS Logic:TC7MBL3245SFK	
152	1407 7005	CMOS Logic:TC74VHCT244AFT(K)	
153	1407 7149	CMOS Logic:TC74LCX16244	
154	1407 7150	CMOS Logic:TC74LCX16245	
155	1408 1826	IC - R3112Q421A	
156	1408 2053	IC:R3112Q291A-FA	
157	1408 2087	IC:LTC3736EUF#TRPBF	
158	1408 2463	DDR Terminator - TPS51116PWP4	
159	1408 2484	IC:LTC3808EDE#PBF	
160	1503 1138	Crystal Oscilator - 48MHz	
161	1503 1355	Crystal Oscilator:25MHz	
162	1503 1355	Crystal Oscilator:25MHz	
163	1503 1363	Crystal Oscilator:12MHz	
164	1503 1379	Crystal Oscilator:14.31818MHz	
165	1601 7887	Resistor Array - 10K $\Omega$ $\pm$ 5% 1/32W	
166	1601 7896	Resistor Array - 56 $\Omega$ $\pm$ 5% 1/32W	
167	1601 7898	Resistor Array	
168	1601 7913	Resistor 22 $\Omega$ $\pm$ 5% 1/32W	
169	1601 7914	Resistor Array - 47 $\Omega$ $\pm$ 5%	
170	1601 7959	Resistor	

Index No.	Part No.	Description	Q'ty Per Assembly
171	1601 7981	Resistor Array - 100K $\Omega$ $\pm$ 5%1/16W	
172	1605 1124	Capacitor - 4.7 $\mu$ F+80 -20% 10V	
173	1605 1197	Capacitor - 6pF $\pm$ 0.5pF 50V	
174	1605 1199	Capacitor - 8pF $\pm$ 0.5pF 50V	
175	1605 1200	Capacitor - 10pF $\pm$ 0.5pF 50V	
176	1605 1204	Capacitor-pF50V	
177	1605 1206	Capacitor - 47pF $\pm$ 5% 50V	
178	1605 1207	Capacitor - 68pF $\pm$ 5% 50V	
179	1605 1208	Capacitor:100pF: $\pm$ 5%:50V	
180	1605 1211	Capacitor - 220pF $\pm$ 10% 50V	
181	1605 1212	Capacitor - 470pF $\pm$ 10% 50V	
182	1605 1214	Capacitor - 1000pF $\pm$ 10% 50V	
183	1605 1216	Capacitor - 2200pF $\pm$ 10%50V	
184	1605 1218	Capacitor:4700pF: $\pm$ 10%:25V	
185	1605 1221	Capacitor - 0.1 $\mu$ F+80-20%16V	
186	1605 1240	Capacitor - 0.01 $\mu$ F $\pm$ 10% 25V	
187	1605 1284	Capacitor:1500pF: $\pm$ 10%:50V	
188	1605 1289	Capacitor - 0.1 $\mu$ F $\pm$ 10% 10V	
189	1605 1293	Capacitor - 27pF $\pm$ 5%50V	
190	1605 1295	Capacitor:10 $\mu$ F:+80-20%:10V	
191	1605 1296	Capacitor - 330pF $\pm$ 10% 50V	
192	1605 1301	Capacitor-6800pF $\pm$ 10% 50V	
193	1605 1303	Capacitor - 0.01 $\mu$ F+80-20% 50V	
194	1605 1306	Capacitor - 1 $\mu$ F $\pm$ 10% 10V	
195	1605 1307	Capacitor - 2.2 $\mu$ F+80-20% 11V	
196	1605 1358	Capacitor - 10 $\mu$ F $\pm$ 10% 10V	
197	1605 1376	Capacitor - 0.033 $\mu$ F- $\pm$ 10%:25V	
198	1605 1406	Capacitor - 10 $\mu$ F $\pm$ 10% 6.3V	
199	1605 1451	Capacitor:0.47 $\mu$ F: $\pm$ 10%:6.3V	
200	1605 1452	Capacitor - 1 $\mu$ F $\pm$ 10% 6.3V	
201	1605 1474	Capacitor - 47 $\mu$ F $\pm$ 20% 6.3V	
202	1605 1475	Resistor - 1 $\mu$ F $\pm$ 10% 16V	
203	1605 1563	Capacitor:10 $\mu$ F: $\pm$ 10%:10V	
204	1605 1583	Capacitor - 0.1 $\mu$ F: $\pm$ 10%:16V	
205	1605 1587	Capacitor:22 $\mu$ F: $\pm$ 20%:6.3V	

Index No.	Part No.	Description	Q'ty Per Assembly
206	1605 1602	Capacitor:3.3μF:±10%:6.3V	
207	1605 1605	Capacitor - 4.7μF±10% 10V	
208	1605 1607	Capacitor:22μF:+80-20%:6.3V	
209	1605 1681	Capacitor:22μF:±20%:10V	
210	1605 1689	Capacitor:100μF:±20%:6.3V	
211	1606 2319	Capacitor:100μF:±20%:6.3V	
212	1607 1014	EMI Filter - BLM11P600SPB	
213	1607 1051	Filter -FBMJ2125HS420	
214	1607 1061	Filter - BLM11P300SPB	
215	1607 1199	Filter - BLM21PG600SN1B	
216	1607 1556	Inductor:RLF7030-1R5N6R1	
217	1607 1567	Filter:MPZ2012S101A	
218	1607 1572	Filter:MPZ1608S101A	
219	1607 1637	Coil:ACM2012-900-2P	
220	1607 1827	Inductor:RLF7030-2R2M5R4	
221	1607 1946	Inductor:VLF10040-2R2N7R1	
222	1609 0005	Resistor:33Ω:±5%:1/16W	
223	1609 0006	Resistor:10KΩ:±5%:1/16W	
224	1609 0007	Resistor - 68Ω ±5% 1/16W	
225	1609 0011	Resistor:22Ω:±5%:1/16W	
226	1609 0016	Resistor:56Ω:±5%:1/16W	
227	1609 0020	Resistor:10Ω:±5%:1/16W	
228	1609 0026	Resistor - 47Ω ±5% 1/16W	
229	1609 0027	Resistor - 100KΩ±5% 1/16W	
230	1610 1900	Resistor:56K Ω:±0.5%:1/16W 1005	
231	1610 2045	Resistor:115KΩ:±0.1%:1/10W:2125	
232	1610 2046	Resistor:25.5KΩ:±0.1%:1/10W:2125	
233	1610 2048	Resistor:51.1KΩ:±0.1%:1/10W:2125	
234	1633 0000	Resistor - 0 Ω 1/10W	
235	1634 0000	Resistor - 0 Ω 1/16W	
236	1650 4101	Resistor - 100Ω±5%1/10W	
237	1650 4470	Resistor - 47Ω±5%1/10W	
238	1650 4472	Resistor - 4.7KΩ ±5% 1/10W	
239	1650 5101	Chip Resistor - 100 Ω±5%1/16W	
240	1650 5102	Chip Resistor - 1KΩ±5%1/16W	

Index No.	Part No.	Description	Q'ty Per Assembly
241	1650 5103	Chip Resistor - 10KΩ±5%1/16W	
242	1650 5104	Chip Resistor - 100KΩ±5%1/16W	
243	1650 5109	Chip Resistor 1Ω ±5% 1/16W	
244	1650 5122	Chip Resistor - 1.2KΩ±5%1/16W	
245	1650 5152	Chip Resistor:1.5KΩ:±5%:1/16W	
246	1650 5203	Resistor - 20KΩ ±5% 1/16W	
247	1650 5220	Resistor - 22Ω ±5% 1/16W	
248	1650 5221	Chip Resistor - 220Ω±5%1/16W	
249	1650 5222	Resistor - 2.2KΩ ±5% 1/16W	
250	1650 5272	Chip Resistor:2.7KΩ:±5%:1/16W	
251	1650 5330	Chip Resistor - 33Ω±5%1/16W	
252	1650 5470	Chip Resistor 47Ω ±5% 1/16W	
253	1650 5472	Chip Resistor:4.7KΩ:±5%:1/16W	
254	1650 5560	Chip Resistor 56Ω ±5% 1/16W	
255	1650 5621	Chip Resistor 620Ω ±5% 1/16W	
256	1650 5683	Chip Resistor 68KΩ ±5% 1/16W	
257	1650 5822	Chip Resistor:8.2KΩ:±5%:1/16W	
258	1654 1002	Resistor - 10KΩ±5%1/10W	
259	1654 1004	Chip Resistor - 1MΩ ±1% 1/10W	
260	1654 1009	Resistor - 10Ω±1% 1/10W	
261	1654 1502	Resistor - 15KΩ±1% 1/10W	
262	1654 1509	Chip Resistor:15Ω:±1%:1/10W	
263	1654 1809	Resistor:18 Ω:±1%:1/10W:1608	
264	1654 2209	Resistor - 22Ω±1% 1/10W	
265	1654 3002	Resistor - 30KΩ±1%1/10W	
266	1654 3309	Resistor - 33Ω±1% 1/10W	
267	1654 6800	Resistor - 680 Ω ±1% 1/10W	
268	1655 0000	Chip Resistor - 0Ω±0%1/16W	
269	1655 1000	Chip Resistor:100Ω:±1%:1/16W	
270	1655 1002	Chip Resistor - 10KΩ±1%1/16W	
271	1655 1003	Chip Resistor - 100KΩ±1%1/16W	
272	1655 1009	Resistor - 10Ω ±1% 1/16W	
273	1655 1109	Resistor:11 Ω:±1%:1/16W:1005	
274	1655 1132	Resistor:11.3K Ω:±1%:1/16W:1005	
275	1655 1200	Resistor - 120 Ω ±1% 1/16W	







## 24.BICU Board (D067/D068/D069/D072)

### CAPACITOR

SYMBOL NO.	INDEX NO.	SYMBOL NO.	INDEX NO.	SYMBOL NO.	INDEX NO.	SYMBOL NO.	INDEX NO.	SYMBOL NO.	INDEX NO.	SYMBOL NO.	INDEX NO.	SYMBOL NO.	INDEX NO.
C1	213	C11	203	C21	196	C31	200	C41	203	---	---	C61	213
C2	187	C12	200	C22	216	C32	200	C42	212	C52	195	C62	213
C3	198	C13	203	C23	189	C33	203	C43	213	C53	213	C63	199
C4	198	C14	200	C24	189	C34	213	C44	203	C54	209	C64	200
C5	203	C15	200	C25	189	C35	200	C45	213	C55	209	C65	200
C6	309	C16	200	C26	203	C36	213	C46	203	C56	207	C66	198
C7	196	C17	207	C27	187	C37	213	---	---	C57	200	C67	200
C8	200	C18	203	C28	203	C38	213	C48	213	C58	213	C68	213
C9	198	C19	203	C29	200	C39	213	C49	197	C59	203	---	---
C10	201	C20	202	C30	213	C40	213	C50	195	C60	203	C70	189

### CAPACITOR

SYMBOL NO.	INDEX NO.	SYMBOL NO.	INDEX NO.	SYMBOL NO.	INDEX NO.	SYMBOL NO.	INDEX NO.	SYMBOL NO.	INDEX NO.	SYMBOL NO.	INDEX NO.	SYMBOL NO.	INDEX NO.
C71	189	C81	215	---	---	C101	206	C111	200	C121	203	C131	233
C72	203	C82	196	C92	233	C102	200	C112	213	C122	201	---	---
C73	196	C83	312	C93	233	C103	203	C113	203	C123	196	C133	196
---	---	C84	237	C94	203	C104	200	C114	196	C124	310	C134	196
C75	213	C85	203	C95	213	C105	213	---	---	C125	196	C135	189
C76	235	C86	236	C96	203	C106	203	C116	213	C126	219	C136	196
C77	232	C87	200	---	---	---	---	C117	203	C127	219	C137	196
C78	199	C88	196	C98	200	---	---	C118	213	---	---	C138	196
---	---	C89	186	---	---	C109	196	C119	203	C129	203	C139	196
C80	213	C90	203	---	---	C110	196	C120	213	C130	238	C140	196

## 24.BICU Board (D067/D068/D069/D072)

### CAPACITOR

SYMBOL NO.	INDEX NO.	SYMBOL NO.	INDEX NO.	SYMBOL NO.	INDEX NO.	SYMBOL NO.	INDEX NO.	SYMBOL NO.	INDEX NO.	SYMBOL NO.	INDEX NO.	SYMBOL NO.	INDEX NO.
---	---	C151	196	C161	200	C171	196	C181	194	C191	203	C201	310
C142	196	C152	203	C162	196	C172	196	---	---	C192	200	C202	196
C143	203	C153	200	C163	196	---	---	---	---	C193	200	C203	196
---	---	---	---	C164	213	---	---	---	---	---	---	C204	196
C145	200	C155	203	C165	203	---	---	C185	214	---	---	C205	193
C146	203	C156	200	C166	196	---	---	C186	203	C196	214	C206	193
C147	200	C157	213	C167	196	C177	194	C187	200	C197	209	C207	197
C148	196	C158	203	---	---	---	---	---	---	C198	209	C208	196
C149	196	C159	213	---	---	---	---	C189	194	C199	196	C209	196
C150	196	C160	203	---	---	---	---	C190	203	C200	310	C210	196

### CAPACITOR

SYMBOL NO.	INDEX NO.	SYMBOL NO.	INDEX NO.	SYMBOL NO.	INDEX NO.	SYMBOL NO.	INDEX NO.	SYMBOL NO.	INDEX NO.	SYMBOL NO.	INDEX NO.	SYMBOL NO.	INDEX NO.
C211	196	C221	203	C231	196	C241	193	C251	200	---	---	---	---
C212	196	C222	203	C232	196	C242	193	---	---	---	---	---	---
C213	196	C223	234	C233	196	C243	193	C253	203	C263	256	---	---
C214	196	C224	313	C234	196	C244	203	C254	200	C264	256	---	---
C215	196	C225	196	---	---	C245	203	---	---	C265	256	C275	203
C216	203	C226	196	---	---	C246	196	---	---	C266	256	C276	200
C217	203	C227	196	C237	197	C247	193	C257	200	---	---	C277	200
C218	193	C228	196	---	---	C248	203	C258	203	C268	196	C278	203
C219	196	C229	200	C239	200	C249	200	---	---	C269	196	C279	196
C220	190	C230	203	C240	203	C250	203	---	---	C270	203	C280	200

## 24.BICU Board (D067/D068/D069/D072)

### CAPACITOR

SYMBOL NO.	INDEX NO.	SYMBOL NO.	INDEX NO.	SYMBOL NO.	INDEX NO.	SYMBOL NO.	INDEX NO.	SYMBOL NO.	INDEX NO.	SYMBOL NO.	INDEX NO.	SYMBOL NO.	INDEX NO.
C281	200	C291	203	C301	200	C311	194	---	---	C331	203	C341	210
C282	203	C292	237	C302	203	C312	194	C322	219	C332	200	C342	210
C283	203	C293	237	C303	203	C313	194	---	---	C333	203	C343	210
C284	209	C294	207	C304	200	---	---	C324	203	C334	203	C344	208
C285	209	C295	207	C305	203	---	---	C325	200	C335	203	C345	208
C286	193	C296	207	C306	203	C316	194	C326	203	C336	200	C346	208
C287	193	C297	192	C307	203	C317	194	C327	203	C337	200	C347	208
---	---	C298	192	C308	194	C318	194	C328	200	C338	196	C348	204
---	---	C299	192	C309	194	C319	194	C329	203	C339	203	C349	217
C290	191	C300	203	C310	194	C320	219	C330	200	C340	203	C350	208

### CAPACITOR

SYMBOL NO.	INDEX NO.	SYMBOL NO.	INDEX NO.	SYMBOL NO.	INDEX NO.	SYMBOL NO.	INDEX NO.	SYMBOL NO.	INDEX NO.	SYMBOL NO.	INDEX NO.	SYMBOL NO.	INDEX NO.
C351	208	C361	203	C371	203	C381	200	C391	310	C401	313	C411	313
C352	208	C362	209	C372	203	C382	200	C392	188	C402	188	C412	188
C353	237	C363	194	C373	203	C383	200	C393	188	C403	188	C413	313
C354	233	C364	203	C374	203	C384	213	C394	313	C404	313	C414	311
C355	211	---	---	C375	213	C385	213	C395	313	C405	188	C415	188
C356	233	---	---	C376	213	---	---	C396	313	C406	313	C416	313
C357	203	C367	203	C377	213	C387	313	C397	313	C407	313	C417	313
C358	205	C368	203	C378	203	C388	306	C398	188	C408	188	C418	188
C359	218	C369	203	C379	196	C389	306	C399	188	C409	313	C419	310
C360	211	C370	203	C380	203	C390	310	C400	313	C410	188	---	---

## 24.BICU Board (D067/D068/D069/D072)

### CAPACITOR

SYMBOL NO.	INDEX NO.
C421	313
C422	188
C423	313
---	---
C425	307
C426	313
C427	188
C428	313
C429	188
C430	308

SYMBOL NO.	INDEX NO.
C431	313
C432	188
C433	313
---	---
C435	313
C436	188
C437	313
C438	313
C439	188
C440	188

SYMBOL NO.	INDEX NO.
C441	313
C442	188
C443	188
C444	188
C445	313
C446	313
C447	313
C448	313
C449	191
C450	189

SYMBOL NO.	INDEX NO.
C451	311
C452	311
C453	311
C454	311
C455	309
C456	189
C457	311
C458	313
---	---
---	---

SYMBOL NO.	INDEX NO.
C901	208
C902	208
C903	208
---	---
---	---
---	---
---	---
---	---
---	---
---	---

SYMBOL NO.	INDEX NO.
---	---
---	---
---	---
---	---
---	---
---	---
---	---
C919	189
C920	189

### CONNECTOR

SYMBOL NO.	INDEX NO.
CN101	112
---	---
CN103	117
CN104	110
CN105	113
CN106	107
CN107	123
CN108	102
CN109	129
CN110	128

### CONNECTOR

SYMBOL NO.	INDEX NO.
---	---
CN112	119
---	---
CN114	106
CN115	125
CN116	126
CN117	115
---	---
CN119	104
---	---

SYMBOL NO.	INDEX NO.
---	---
CN122	101
CN123	124
CN124	105
CN125	127
CN126	122
CN127	120
CN128	116
CN129	108
CN130	111

SYMBOL NO.	INDEX NO.
---	---
CN132	121
---	---
---	---
CN136	108
---	---
CN138	118
---	---
CN140	109

SYMBOL NO.	INDEX NO.
---	---
---	---
CN143	103
---	---
---	---
---	---
CN147	130
---	---
CN149	114

### DIODE

SYMBOL NO.	INDEX NO.
D1	149
D2	150
D3	148
D4	149
D5	149
D6	149
D7	149
D8	149
D9	149
---	---

SYMBOL NO.	INDEX NO.
---	---
D12	147

### FIL

SYMBOL NO.	INDEX NO.
FIL1	220
FIL2	220
FIL3	222
FIL4	222
FIL5	220
FIL6	221
FIL7	221
FIL8	221

## 24.BICU Board (D067/D068/D069/D072)

### FUSE

SYMBOL NO.	INDEX NO.
FU1	229

### IC

SYMBOL NO.	INDEX NO.
IC1	159
IC2	165
IC3	162
IC4	152
IC5	166
IC6	164
IC7	153
IC8	155
---	---
IC10	2

SYMBOL NO.	INDEX NO.
---	---
IC12	1
IC13	172
IC14	158
IC15	173
IC16	154
IC17	156
---	---
---	---
---	---

SYMBOL NO.	INDEX NO.
IC21	157
IC22	160
---	---
IC24	3
IC25	315
IC26	314
IC27	314
IC28	163
IC29	163
IC30	169

SYMBOL NO.	INDEX NO.
---	---
IC32	316
---	---
---	---
IC35	154
IC36	161

### LED

SYMBOL NO.	INDEX NO.
---	---
LED2	151

### OSC

SYMBOL NO.	INDEX NO.
OSC1	174
OSC2	175

### Q

SYMBOL NO.	INDEX NO.
Q1	144
---	---
Q3	142
Q4	137
Q5	132
Q6	139
Q7	138
Q8	136
Q9	140
Q10	140

### Q

SYMBOL NO.	INDEX NO.
Q11	140
Q12	143
Q13	134
Q14	143
Q15	144
Q16	131
Q17	135
Q18	142
Q19	145
Q20	144

SYMBOL NO.	INDEX NO.
Q21	141
Q22	133
Q23	140
Q24	139

### RESISTOR

SYMBOL NO.	INDEX NO.
R1	177
R2	230
R3	254
R4	257
R5	254
R6	257
R7	231
R8	243
R9	231
R10	280

SYMBOL NO.	INDEX NO.
R11	254
R12	277
R13	257
R14	280
R15	257
---	---
R17	257
R18	257
R19	254
R20	254

SYMBOL NO.	INDEX NO.
R21	231
R22	231
R23	254
R24	277
R25	277
R26	257
R27	254
R28	257
R29	254
R30	257

SYMBOL NO.	INDEX NO.
R31	254
R32	257
R33	254
R34	257
R35	291
R36	282
R37	292
R38	272
R39	255
R40	254

SYMBOL NO.	INDEX NO.
R41	272
R42	257
R43	254
R44	257
R45	257
R46	245
R47	257
R48	257
R49	257
R50	255

## 24.BICU Board (D067/D068/D069/D072)

### RESISTOR

SYMBOL NO.	INDEX NO.	SYMBOL NO.	INDEX NO.	SYMBOL NO.	INDEX NO.	SYMBOL NO.	INDEX NO.	SYMBOL NO.	INDEX NO.	SYMBOL NO.	INDEX NO.	SYMBOL NO.	INDEX NO.
R51	255	R61	255	R71	257	R81	257	R91	253	R101	254	R111	255
R52	255	R62	298	R72	269	R82	277	R92	276	R102	255	R112	278
R53	180	R63	294	R73	304	R83	254	R93	269	R103	260	R113	257
R54	177	R64	258	R74	296	R84	254	R94	268	R104	268	R114	255
R55	284	R65	294	R75	279	R85	257	R95	262	R105	261	R115	257
R56	261	R66	257	R76	277	R86	254	R96	260	R106	257	R116	246
R57	255	---	---	R77	268	R87	277	R97	276	R107	255	R117	254
R58	255	R68	255	R78	269	---	---	R98	257	R108	267	R118	239
R59	258	R69	273	R79	257	R89	281	---	---	R109	254	R119	255
R60	298	R70	257	R80	254	R90	228	---	---	R110	284	R120	257

### RESISTOR

SYMBOL NO.	INDEX NO.	SYMBOL NO.	INDEX NO.	SYMBOL NO.	INDEX NO.	SYMBOL NO.	INDEX NO.	SYMBOL NO.	INDEX NO.	SYMBOL NO.	INDEX NO.	SYMBOL NO.	INDEX NO.
R121	250	R131	264	R141	268	---	---	R161	287	R171	299	R181	272
R122	258	R132	268	R142	257	R152	265	R162	176	R172	268	R182	258
R123	258	R133	257	R143	269	R153	241	R163	257	R173	295	R183	272
R124	261	R134	272	R144	242	R154	257	R164	302	R174	255	R184	258
R125	258	R135	257	R145	242	R155	257	R165	305	R175	255	R185	255
R126	261	R136	240	R146	278	R156	255	R166	293	R176	257	R186	272
R127	272	R137	264	R147	179	R157	288	R167	257	R177	276	---	---
R128	272	R138	268	R148	179	R158	286	R168	263	R178	257	R188	255
R129	258	R139	240	R149	255	R159	285	R169	303	R179	257	R189	272
R130	278	R140	264	R150	272	R160	257	R170	297	R180	176	R190	252

## 24.BICU Board (D067/D068/D069/D072)

### RESISTOR

SYMBOL NO.	INDEX NO.	SYMBOL NO.	INDEX NO.	SYMBOL NO.	INDEX NO.	SYMBOL NO.	INDEX NO.	SYMBOL NO.	INDEX NO.	SYMBOL NO.	INDEX NO.	SYMBOL NO.	INDEX NO.
R191	245	R201	270	---	---	---	---	R231	289	R241	272	---	---
R192	258	R202	272	---	---	---	---	R232	289	R242	273	---	---
R193	257	R203	257	---	---	---	---	R233	272	R243	273	---	---
R194	272	R204	257	R214	257	R224	272	R234	272	R244	257	---	---
R195	289	R205	249	---	---	R225	257	R235	257	---	---	---	---
---	---	R206	272	R216	230	R226	272	R236	272	R246	272	R256	257
R197	289	R207	257	R217	178	R227	268	R237	272	R247	268	R257	272
---	---	R208	249	R218	272	R228	272	R238	272	R248	268	---	---
R199	264	R209	257	R219	272	R229	272	R239	272	---	---	R259	257
R200	249	---	---	R220	257	R230	289	R240	258	---	---	---	---

### RESISTOR

SYMBOL NO.	INDEX NO.	SYMBOL NO.	INDEX NO.	SYMBOL NO.	INDEX NO.	SYMBOL NO.	INDEX NO.	SYMBOL NO.	INDEX NO.	SYMBOL NO.	INDEX NO.	SYMBOL NO.	INDEX NO.
---	---	R271	281	R281	266	R291	249	R301	257	R311	272	R321	272
R262	231	R272	249	R282	281	R292	231	R302	257	R312	272	R322	272
---	---	R273	248	R283	272	R293	249	R303	257	R313	258	R323	249
R264	255	R274	266	R284	280	R294	272	R304	257	R314	280	R324	272
R265	272	R275	272	R285	259	R295	272	R305	257	R315	274	R325	272
R266	254	R276	257	R286	283	R296	254	R306	257	R316	277	R326	257
---	---	R277	272	R287	252	R297	231	R307	280	R317	274	R327	272
R268	231	R278	272	R288	273	R298	272	R308	280	R318	277	R328	257
R269	272	R279	257	R289	257	R299	272	R309	272	R319	257	R329	245
R270	254	R280	255	---	---	R300	272	R310	280	R320	257	R330	257

## 24.BICU Board (D067/D068/D069/D072)

### RESISTOR

SYMBOL NO.	INDEX NO.	SYMBOL NO.	INDEX NO.	SYMBOL NO.	INDEX NO.	SYMBOL NO.	INDEX NO.	SYMBOL NO.	INDEX NO.	SYMBOL NO.	INDEX NO.	SYMBOL NO.	INDEX NO.
R331	272	R341	272	R351	272	R361	257	R371	258	R381	231	R391	290
R332	272	---	---	R352	231	R362	257	---	---	---	---	R392	272
R333	272	---	---	R353	272	---	---	R373	255	R383	275	R393	272
R334	231	---	---	R354	272	R364	257	R374	273	R384	289	R394	272
---	---	---	---	---	---	R365	257	R375	257	R385	280	R395	300
---	---	---	---	R356	280	R366	255	R376	255	R386	289	R396	289
R337	231	R347	289	R357	257	---	---	R377	255	R387	301	---	---
---	---	R348	289	R358	257	R368	272	R378	258	R388	289	R398	272
R339	280	R349	289	R359	257	---	---	R379	258	R389	290	R399	272
R340	272	R350	273	R360	257	---	---	R380	257	R390	290	R400	272

### RESISTOR

SYMBOL NO.	INDEX NO.	SYMBOL NO.	INDEX NO.	SYMBOL NO.	INDEX NO.	SYMBOL NO.	INDEX NO.	SYMBOL NO.	INDEX NO.	SYMBOL NO.	INDEX NO.	SYMBOL NO.	INDEX NO.
R401	255	---	---	R421	231	R431	257	R441	255	R451	272	R461	245
R402	255	---	---	R422	271	R432	257	R442	255	R452	280	R462	252
R403	257	R413	255	R423	289	---	---	R443	257	R453	255	R463	252
R404	272	---	---	R424	259	---	---	R444	280	R454	268	R464	244
---	---	---	---	R425	273	---	---	R445	268	---	---	R465	249
---	---	R416	272	R426	257	---	---	R446	272	R456	273	R466	249
---	---	---	---	---	---	R437	255	R447	268	---	---	---	---
---	---	---	---	---	---	R438	255	R448	257	R458	268	---	---
---	---	R419	272	R429	257	R439	255	R449	268	R459	231	---	---
---	---	R420	231	---	---	R440	255	R450	268	R460	252	R470	231



## 24.BICU Board (D067/D068/D069/D072)

### RESISTOR

SYMBOL NO.	INDEX NO.
R471	231
R472	249
R473	245
R474	231
R475	249
R476	249
R477	251
R478	247
---	---
R480	245

SYMBOL NO.	INDEX NO.
R481	245
R482	245
R483	245
R484	245
R485	245
R486	245
R487	245
R488	240
R489	240
R490	231

SYMBOL NO.	INDEX NO.
R491	230
R492	230
R493	280

### REG

SYMBOL NO.	INDEX NO.
REG1	171
REG2	167
REG3	170
REG4	168

### RN

SYMBOL NO.	INDEX NO.
RN1	182
RN2	227
RN3	227
RN4	227
RN5	227
RN6	227
RN7	227
RN8	183
RN9	183
RN10	183

SYMBOL NO.	INDEX NO.
RN11	183
RN12	183
RN13	225
RN14	223
RN15	224
---	---
---	---
---	---
---	---
---	---

SYMBOL NO.	INDEX NO.
---	---
RN22	225
---	---
---	---
---	---
RN26	223
RN27	223
RN28	223
RN29	223
RN30	223

### RN

SYMBOL NO.	INDEX NO.
RN31	183
RN32	223
RN33	225
RN34	183
RN35	223
RN36	181
RN37	227
RN38	226
---	---
RN40	182

SYMBOL NO.	INDEX NO.
RN41	185
---	---
RN43	182
RN44	185
RN45	227
RN46	224
RN47	225
RN48	224
RN49	225
RN50	183

SYMBOL NO.	INDEX NO.
---	---
RN52	183
RN53	224
RN54	183
RN55	223
---	---
---	---
---	---
---	---
RN60	225

SYMBOL NO.	INDEX NO.
RN61	225
RN62	225
RN63	182
RN64	184
RN65	182
RN66	225
RN67	223
RN68	183
RN69	183
RN70	223

SYMBOL NO.	INDEX NO.
---	---
---	---
---	---
---	---
---	---
---	---
---	---
RN78	225
RN79	225
RN80	225

SYMBOL NO.	INDEX NO.
RN81	225
RN82	223
RN83	223
RN84	224
RN85	223
RN86	223
RN87	224
RN88	223
---	---
RN90	224

### ZD

SYMBOL NO.	INDEX NO.
ZD1	146

## 24.BICU Board (D067/D068/D069/D072)

Index No.	Part No.	Description	Q'ty Per Assembly
*	D067 5101	PCB:BICU:EXP:Ass'y	1
*	D068 5101	PCB:BICU	1
*	D068 5103	PCB:BICU:GW:AA	1
1	B121 5501	IC:SCRATCH:KS6M2U1651CBP	1
2	B121 5502	LSI:TRIO:UPD65945GD-103-LML-A	1
3	B262 7100	LSI:CALDA:RL5C667	1

Index No.	Part No.	Description	Q'ty Per Assembly
101	1102 4202	Connector:292132-3	
102	1102 4205	Connector:292132-6	
103	1102 4462	CT Header(H) - 4P	
104	1102 4619	Connector - 2P	
105	1102 4631	CT Connector - 2P	
106	1102 5302	Connector - 3P	
107	1102 5306	Connector - 7P	
108	1102 6295	Connector:53324-0260	
109	1102 6297	Connector - 4P	
110	1102 6304	Connector - 11P	
111	1102 6309	Connector - 2P	
112	1102 8153	Connector - FCN-568P068-G/05A-V4	
113	1102 8471	Connector - 55447-071	
114	1102 8477	Connector - 13P	
115	1102 8807	Connector - FFC/FPC-52045-0545	
116	1102 9110	Connector - 353297-6	
117	1102 9548	Connector - TX25-100P-8ST-H1	
118	1102 9710	Connector - 5-353297-4	
119	1103 3863	Connector - 52806-1810	
120	1103 3983	Connector	
121	1103 3984	Connector	
122	1103 3986	Connector	
123	1103 3987	Connector	
124	1103 3988	Connector	
125	1103 3989	Connector	
126	1103 3993	Connector	
127	1103 3996	Connector	
128	1103 3997	Connector	
129	1103 3998	Connector	
130	1103 4017	Connector	
131	1400 0356	Transistor - 2SA1036K	
132	1400 0789	Transistor - IMT17	
133	1400 0799	Transistor - 2SB1326	
134	1400 0901	Transistor - DTC144VUA	
135	1400 0953	Transistor - 2SC4081S	

Index No.	Part No.	Description	Q'ty Per Assembly
136	1400 0967	Transistor - DTC123EUA	
137	1400 1174	Transistor - SRC1219UF	
138	1400 1190	Transistor - STD1664	
139	1400 1191	Transistor - RT3NDDM-T111	
140	1400 1208	Transistor - SUR519J	
141	1400 1241	Transistor:SRC1206UF	
142	1400 1255	Transistor:2SA1979UF-Y	
143	1400 1281	Transistor:2SC4155A-T111	
144	1400 1285	Transistor:RT1N237M-T111	
145	1401 1174	FET:2SK3054-A	
146	1402 1511	Zenerdiode - MTZJ13B	
147	1402 1565	Diode:RB521S-30	
148	1402 1932	Diode:SDS142WMF	
149	1402 1995	Diode:SDS511	
150	1402 2042	Diode:SDS142WAF	
151	1403 0996	LED - SML-310VT	
152	1407 2187	TTLIC - SN74LS07NS	
153	1407 5374	IC - SN74LV4052APW	
154	1407 5454	IC - SN74LV86APW	
155	1407 5588	IC - MTD2006F	
156	1407 6032	IC - SN74LV161APW	
157	1407 6050	CMOS Logic:TC74VHC08FT(K)	
158	1407 6053	CMOS Logic:TC74VHC32FT(K)	
159	1407 6584	IC - STK672-400B-E	
160	1407 6826	CPU:HD64F2364VTE34V	
161	1407 6904	CMOS Logic:TC74LCX07FT(K)	
162	1407 6975	Driver:KID65003AP/P	
163	1407 6984	CMOS Logic:TC74LCX245FT(K)	
164	1407 5353	IC - SN74LV244APW	
165	1407 7004	CMOS Logic:TC74VHCT08AFT(K)	
166	1408 1653	Operational Amplifier:LMV324IPW	
167	1408 1669	Series Regulator:R1170H331B	
168	1408 1850	Regulator - R1170H181B	
169	1408 2336	Analog IC - WM8214SCDS	
170	1408 2384	Series Regulator - BAJ2CC0WFP	

Index No.	Part No.	Description	Q'ty Per Assembly
171	1408 2537	Series Regulator:KIA7805API/P	
172	1408 2725	IC:R3112N381A-F	
173	1408 2727	IC:R3112N441A-F	
174	1503 0993	Crystal Oscilator - 14.7456MHz	
175	1503 1319	Crystal Oscilator - 16.2MHz	
176	1600 1418	Resistor - 1.0Ω 1W	
177	1600 1684	Resistor - 0.47Ω ±5% 2W	
178	1601 5390	Resistor - 270HM ±27Ω 1W	
179	1601 5492	Resistor - 47Ω ±5% 2W	
180	1601 5668	Resistor - 390 Ω ±5% 2W	
181	1601 7877	Resistor Array 4.7K Ω ±5% 1/32W	
182	1601 7887	Resistor Array - 10K Ω ±5% 1/32W	
183	1601 7898	Resistor Array	
184	1601 7943	Resistor Array - 68 Ω ±5% 1/32W	
185	1601 7959	Resistor	
186	1604 5525	Capacitor - 100μF±20% 10V	
187	1604 5581	Capacitor - 330μF±20% 35V	
188	1605 1137	Capacitor - 470pF ±10% 50V	
189	1605 1148	Capacitor - 0.1μF+80-20% 50V	
190	1605 1166	Capacitor - 0.015μF±10% 50V	
191	1605 1190	Resistor - 0.022μF±10% 50V	
192	1605 1200	Capacitor - 10pF ±0.5pF 50V	
193	1605 1201	Capacitor - 12pF ±5% 50V	
194	1605 1204	Capacitor-pF50V	
195	1605 1205	Capacitor - 33pF ±5% 50V	
196	1605 1206	Capacitor - 47pF ±5% 50V	
197	1605 1208	Capacitor:100pF:±5%:50V	
198	1605 1209	Capacitor - 150pF ±5% 50V	
199	1605 1210	Capacitor:180pF:±5%:50V	
200	1605 1212	Capacitor - 470pF ±10% 50V	
201	1605 1214	Capacitor - 1000pF ±10% 50V	
202	1605 1216	Capacitor - 2200pF±10%50V	
203	1605 1221	Capacitor - 0.1 μF+80-20%16V	
204	1605 1240	Capacitor - 0.01μF±10% 25V	
205	1605 1250	Capacitor:0.068μF:±10%:10V	

Index No.	Part No.	Description	Q'ty Per Assembly
206	1605 1285	Capacitor - 3300pF ±10% 50V	
207	1605 1288	Capacitor:220pF:±5%:50V	
208	1605 1289	Capacitor - 0.1µF±10% 10V	
209	1605 1293	Capacitor - 27pF±5%50V	
210	1605 1294	Resistor - 1000pF ±5% 50V	
211	1605 1295	Capacitor:10µF:+80-20%:10V	
212	1605 1300	Capacitor - 270pF ±5% 50V	
213	1605 1303	Capacitor - 0.01µF+80-20% 50V	
214	1605 1347	Capacitor - 1µF:+80-20%:16V	
215	1605 1352	Resistor - 82pF ±5% 50V	
216	1605 1447	Resistor - 470pF ±5% 50V	
217	1605 1452	Capacitor - 1µF±10% 6.3V	
218	1605 1475	Resistor - 1µF±10% 16V	
219	1605 1710	Capacitor:10µF:±10%:25V	
220	1607 0824	Filter - BLM11A601SPB	
221	1607 0973	Inductor - BLM11A121SPB	
222	1607 1342	Filter - BLM18BD121SN1B	
223	1609 0005	Resistor:33Ω:±5%:1/16W	
224	1609 0006	Resistor:10KΩ:±5%:1/16W	
225	1609 0007	Resistor - 68Ω ±5% 1/16W	
226	1609 0019	Resistor:0 Ω:1608	
227	1609 0027	Resistor - 100KΩ±5% 1/16W	
228	1611 8510	Resistor 51Ω ±5% 1/4W	
229	1632 0000	Resistor - 0 Ω 1/8W	
230	1633 0000	Resistor - 0 Ω 1/10W	
231	1634 0000	Resistor - 0 Ω 1/16W	
232	1640 5470	Capacitor - 47µF±20% 50V	
233	1642 1470	Capacitor 47µF±20% 16V	
234	1642 2470	Capacitor - 47µF±20% 25V	
235	1642 3330	Capacitor - 33µF±20%-35V	
236	1642 3470	Capacitor - 47µF±20% 35V	
237	1642 5100	Capacitor - 10µF±20% 50V	
238	1642 5220	Capacitor - 22µF±20% 50V	
239	1650 2472	Chip Resistor-4.7K	
240	1650 3101	Resistor:100 Ω:±5%:1/8W:2125	

Index No.	Part No.	Description	Q'ty Per Assembly
241	1650 3102	Resistor:1KΩ:±5%:1/8W:2125	
242	1650 3332	Resistor:3.3KΩ:±5%:1/8W	
243	1650 4101	Resistor - 100Ω±5%1/10W	
244	1650 4102	Resistor - 1KΩ ±5% 1/10W	
245	1650 4103	Resistor - 10KΩ ±5% 1/10W	
246	1650 4104	Resistor - 100KΩ±5%1/10W	
247	1650 4201	Resistor - 200Ω±5%1/10W	
248	1650 4220	Chip Resistor - 22Ω ±5% 1/10W	
249	1650 4330	Chip Resistor - 33Ω ±5% 1/10W	
250	1650 4472	Resistor - 4.7KΩ ±5% 1/10W	
251	1650 4473	Resistor - 47K Ω±5%1/10W	
252	1650 4680	Resistor - 68Ω±5%1/10W	
253	1650 4750	Resistor - 75Ω±5%1/10W	
254	1650 5101	Chip Resistor - 100 Ω±5%1/16W	
255	1650 5102	Chip Resistor - 1KΩ±5%1/16W	
256	1650 5103	Chip Resistor - 10KΩ±5%1/16W	
257	1650 5103	Chip Resistor - 10KΩ±5%1/16W	
258	1650 5104	Chip Resistor - 100KΩ±5%1/16W	
259	1650 5105	Resistor:1M Ω:±5%:1/16W:1005	
260	1650 5122	Chip Resistor - 1.2KΩ±5%1/16W	
261	1650 5123	Resistor - 12K Ω ±5% 1/16W	
262	1650 5153	Chip Resistor - 15KΩ ±5% 1/16W	
263	1650 5163	Resistor - 16K Ω ±5% 1/16W	
264	1650 5201	Resistor - 200Ω ±5% 1/16W	
265	1650 5202	Chip Resistor:2KΩ:±5%:1/16W	
266	1650 5203	Resistor - 20KΩ ±5% 1/16W	
267	1650 5221	Chip Resistor - 220Ω±5%1/16W	
268	1650 5222	Resistor - 2.2KΩ ±5% 1/16W	
269	1650 5243	Resistor - 24KΩ ±5% 1/16W	
270	1650 5244	Resistor:240K Ω:±5%:1/16W:1005	
271	1650 5300	Resistor - 30 Ω ±5% 1/16W	
272	1650 5330	Chip Resistor - 33Ω±5%1/16W	
273	1650 5331	Resistor - 330Ω ±5% 1/16W	
274	1650 5332	Resistor - 3.3KΩ ±5% 1/16W	
275	1650 5470	Chip Resistor 47Ω ±5% 1/16W	

Index No.	Part No.	Description	Q'ty Per Assembly
276	1650 5471	Chip Resistor - 470Ω -5% 1/16W	
277	1650 5472	Chip Resistor:4.7KΩ:±5%:1/16W	
278	1650 5473	Chip Resistor - 47KΩ ±5% 1/16W	
279	1650 5624	Resistor - 620KΩ ±5% 1/16W	
280	1650 5680	Resistor - 68Ω ±5% 1/16W	
281	1650 5750	Chip Resistor:75Ω:±5%:1/16W	
282	1650 5751	Resistor:750 Ω:±5%:1/16W:1005	
283	1650 5821	Resistor - 820 Ω ±5% 1/16W	
284	1650 5913	Resistor - 91K Ω ±5% 1/16W	
285	1654 1001	Resistor - 1KΩ±1%1/10W	
286	1654 1102	Resistor:11K Ω:±1%:1/10W:1608	
287	1654 4991	Resistor:4.99K Ω:±1%:1/10W:1608	
288	1654 8661	Resistor - 8.66K Ω ±1% 1/10W	
289	1655 0000	Chip Resistor - 0Ω±0%1/16W	
290	1655 1000	Chip Resistor:100Ω:±1%:1/16W	
291	1655 1002	Chip Resistor - 10KΩ±1%1/16W	
292	1655 1003	Chip Resistor - 100KΩ±1%1/16W	
293	1655 1021	Resistor - 1.02K Ω ±1% 1/16W	
294	1655 1801	Resistor:1.8K Ω:±1%:1/16W:1005	
295	1655 2100	Resistor - 210 Ω ±1% 1/16W	
296	1655 2551	Resistor - 2.55K Ω ±1% 1/16W	
297	1655 3160	Resistor - 316 Ω ±1% 1/16W	
298	1655 3301	Resistor:3.3K Ω:±1%:1/16W:1005	
299	1655 3740	Resistor:374 Ω:±1%:1/16W:1005	
300	1655 4709	Resistor - 47Ω ±1% 1/16W	
301	1655 6809	Chip Resistor - 68Ω±1%1/16W	
302	1655 6981	Resistor - 6.98K Ω ±1% 1/16W	
303	1655 7509	Resistor:75 Ω:±1%:1/16W:1005	
304	1655 9101	Resistor - 9.1K Ω ±1% 1/16W	
305	1655 9310	Resistor - 931 Ω ±1% 1/16W	
306	1660 0100	Capacitor:10PF:±0.5pF:50V	
307	1660 2120	Capacitor - 12 pF ±5% 50V	
308	1660 2270	Capacitor - 27pF ±20% 35V	
309	1660 2391	Capacitor - 390pF ±5% 50V	
310	1660 2470	Capacitor - 47pF ±5% 50V	

Index No.	Part No.	Description	Q'ty Per Assembly
311	1660 6103	Capacitor - 10000pF - +80%-20%50V	
312	1660 6473	Capacitor - 47000pF +80 -20% 50V	
313	1660 8104	Capacitor - 0.1μF±20% 25V	
314	1902 0070	SRAM - 1M:X8:3.3V:G2	
315	1906 0130	Flash Memory:S29GL032N90TFI040:32M	
316	1407 5299	RAM:FM1608-120-PG	



## 25.GWFCU Board (D067/D068/D069/D072)

### BAT

SYMBOL NO.	INDEX NO.
BAT1	107

### CAPACITOR

SYMBOL NO.	INDEX NO.
C1	146
C2	146
C3	145
C4	147
C5	148
C6	148
C7	164
---	---
C9	155
C10	155

SYMBOL NO.	INDEX NO.
C11	152
C12	155
C13	155
C14	167
C15	167
C16	170
C17	178
C18	178
C19	168
C20	168

SYMBOL NO.	INDEX NO.
C21	171
C22	156
C23	158
C24	175
C25	231
C26	165
C27	165
C28	169
---	---
C30	169

SYMBOL NO.	INDEX NO.
C31	228
C32	227
C33	158
C34	149
C35	189
C36	155
C37	155
C38	230
C39	155
C40	155

SYMBOL NO.	INDEX NO.
C41	230
C42	155
C43	155
C44	155
C45	155
C46	155
C47	230
C48	230
C49	155
C50	155

SYMBOL NO.	INDEX NO.
C51	155
C52	155
C53	230
C54	155
C55	160
C56	155
C57	163
C58	228
C59	229
C60	158

### CAPACITOR

SYMBOL NO.	INDEX NO.
C61	151
C62	150
C63	161
C64	230
C65	155
C66	230
C67	155
C68	230
C69	155
C70	230

SYMBOL NO.	INDEX NO.
C71	230
C72	230
C73	230
C74	155
C75	155
C76	159
C77	173
C78	155
---	---
C80	232

SYMBOL NO.	INDEX NO.
C81	155
C82	155
C83	159
C84	155
C85	155
C86	155
C87	155
C88	230
C89	230
C90	154

SYMBOL NO.	INDEX NO.
C91	155
C92	155
C93	151
C94	166
C95	176
C96	155
C97	155
C98	157
C99	157
C100	165

SYMBOL NO.	INDEX NO.
C101	177
C102	151
---	---
C104	153
---	---
C106	155
---	---
---	---
---	---
C110	155

SYMBOL NO.	INDEX NO.
C111	155
C112	149
C113	149
---	---
---	---
C116	153
C117	153
---	---
C119	155
---	---

SYMBOL NO.	INDEX NO.
---	---
---	---
C203	162
C204	174
C205	172

## 25.GWFCU Board (D067/D068/D069/D072)

### CONNECTOR

SYMBOL NO.	INDEX NO.
---	---
---	---
---	---
---	---
---	---
---	---
---	---
---	---
---	---
---	---
CN600	104

SYMBOL NO.	INDEX NO.
CN601	105
---	---
---	---
---	---
---	---
CN605	101
---	---
CN606	102
---	---
---	---
---	---
---	---
---	---
---	---

SYMBOL NO.	INDEX NO.
---	---
---	---
---	---
---	---
---	---
---	---
---	---
---	---
---	---
CN620	103

SYMBOL NO.	INDEX NO.
CN621	103

### DIODE

SYMBOL NO.	INDEX NO.
D1	118
D2	118
D3	118
D4	127
D5	127
D6	123
D7	123
D8	118
D9	124
D10	126

SYMBOL NO.	INDEX NO.
D11	127
D12	127
D13	122

### DA

SYMBOL NO.	INDEX NO.
DA1	119

### FIL

SYMBOL NO.	INDEX NO.
FIL1	179
---	---
---	---
FIL4	181
FIL5	181

### IC

SYMBOL NO.	INDEX NO.
IC1	140
IC2	138
IC3	139
IC4	1
IC5	233
IC6	135
IC7	136
IC8	137
---	---
IC10	134

### JP

SYMBOL NO.	INDEX NO.
---	---
---	---
JP3	188

### L

SYMBOL NO.	INDEX NO.
L1	182
L2	183
L3	180
L4	180

### OSC

SYMBOL NO.	INDEX NO.
OSC1	141
OSC2	142

### Q

SYMBOL NO.	INDEX NO.
Q1	113
Q2	114
Q3	113
Q4	112
Q5	109
Q6	110
Q7	110
Q8	109
Q9	110
Q10	110

SYMBOL NO.	INDEX NO.
Q11	110
Q12	116
Q13	111
Q14	115

### RESISTOR

SYMBOL NO.	INDEX NO.
---	---
R2	205
R3	205
R4	205
R5	205
R6	205
R7	205
R8	205
R9	205
R10	205

### LED

SYMBOL NO.	INDEX NO.
LED1	129
LED2	130

### PC

SYMBOL NO.	INDEX NO.
---	---
PC2	128



## 25.GWFCU Board (D067/D068/D069/D072)

### RESISTOR

SYMBOL NO.	INDEX NO.	SYMBOL NO.	INDEX NO.	SYMBOL NO.	INDEX NO.	SYMBOL NO.	INDEX NO.	SYMBOL NO.	INDEX NO.	SYMBOL NO.	INDEX NO.	SYMBOL NO.	INDEX NO.
R11	209	R21	195	R31	190	R41	205	R51	187	---	---	R71	214
R12	209	R22	195	---	---	R42	205	R52	193	R62	205	R72	207
R13	205	R23	219	R33	190	R43	205	R53	220	R63	205	R73	207
R14	194	R24	201	R34	193	R44	205	R54	220	R64	205	R74	207
R15	205	R25	215	R35	194	R45	205	---	---	R65	216	R75	202
R16	193	R26	215	R36	205	R46	193	R56	187	R66	205	R76	215
R17	193	R27	197	R37	187	R47	192	R57	193	R67	205	R77	207
R18	193	R28	223	R38	205	R48	192	R58	187	R68	205	R78	221
R19	193	R29	226	R39	205	R49	205	R59	187	R69	205	R79	221
R20	193	R30	198	R40	205	R50	205	---	---	R70	193	R80	225

### RESISTOR

SYMBOL NO.	INDEX NO.	SYMBOL NO.	INDEX NO.	SYMBOL NO.	INDEX NO.	SYMBOL NO.	INDEX NO.	SYMBOL NO.	INDEX NO.	SYMBOL NO.	INDEX NO.	SYMBOL NO.	INDEX NO.
R81	192	R91	205	R101	205	R111	217	R121	204	R131	187	R141	218
R82	208	R92	205	---	---	R112	217	R122	194	R132	196	R142	218
R83	195	R93	200	---	---	R113	205	R123	205	R133	193	R143	224
---	---	R94	200	R104	193	R114	187	R124	210	R134	187	R144	222
R85	212	R95	205	R105	193	R115	193	R125	193	---	---	R145	218
R86	206	R96	205	R106	193	R116	193	R126	193	R136	187	R146	218
---	---	R97	205	R107	193	R117	193	R127	211	---	---	R147	218
R88	187	R98	193	R108	217	R118	193	R128	199	---	---	---	---
---	---	R99	205	---	---	R119	193	R129	187	R139	193	---	---
R90	187	R100	205	R110	194	R120	213	R130	191	R140	218	R150	193

## 25.GWFCU Board (D067/D068/D069/D072)

### RESISTOR

SYMBOL NO.	INDEX NO.
---	---
---	---
---	---
---	---
---	---
---	---
---	---
---	---
R209	187
---	---

SYMBOL NO.	INDEX NO.
---	---
---	---
R213	187
R214	203
R215	203
R216	191
---	---
R218	194
R219	198
R220	200

SYMBOL NO.	INDEX NO.
R221	201

### RN

SYMBOL NO.	INDEX NO.
RN1	185
RN2	185
RN3	184
RN4	184
RN5	144
RN6	184
RN7	184
RN8	184
RN9	184
RN10	184

SYMBOL NO.	INDEX NO.
RN11	184
RN12	144
RN13	184
RN14	184
RN15	186
RN16	186
RN17	184
RN18	184
RN19	185
RN20	185

### RY

SYMBOL NO.	INDEX NO.
RY2	108

### V

SYMBOL NO.	INDEX NO.
V1	132
V2	133
V3	132
V4	131

### ZD

SYMBOL NO.	INDEX NO.
ZD1	117
ZD2	121
ZD3	121
ZD4	125
ZD5	120



## 25.GWFCU Board (D067/D068/D069/D072)

Index No.	Part No.	Description	Q'ty Per Assembly
*	D401 5132	PCB:GWFCU3:NA:Ass'y	1
*	D401 5134	PCB:GWFCU3:EU:Ass'y	1
1	B620 5513	IC-FACE3-RB5A264	1

Index No.	Part No.	Description	Q'ty Per Assembly
101	1102 4201	Connector - 2P	
102	1102 4633	CT Header - 4P	
103	1102 7604	Connector - 52830-6245	
104	1102 9093	Connector:RHM-88R-SSK-01-1	
105	1102 9634	Connector - WR-60P-VF50-1	
106	1105 0232	Locking Card Spacer	
107	1206 0084	2ndary Lithium Cell:VL2330/1HF	
108	1208 1438	Relay - EC2 5ND	
109	1400 0769	Transistor - 2SA1576A	
110	1400 0775	Transistor - 2SC4081	
111	1400 0781	Transistor:2SB1132R	
112	1400 0841	Transistor:2SD1898Q	
113	1400 1018	Transistor - MMBTA42	
114	1400 1019	Transistor - MMBTA92	
115	1401 1056	FET - 2SK2158	
116	1401 1116	Transistor - 2SC5053	
117	1402 0506	Diode - RD43EB	
118	1402 1336	Diode - 1SS355	
119	1402 1343	Diode - RB106L-40	
120	1402 1384	Diode - UDZS12B	
121	1402 1505	Diode - UDZS5.6B	
122	1402 1530	Diode - RB520S-30	
123	1402 1584	Diode:DAN217U	
124	1402 1599	Diode - RB551	
125	1402 1647	Diode - UDZS3.6B	
126	1402 1698	Diode - RB	
127	1402 1734	Diode - 1SR156-400	
128	1403 0908	Photocoupler:TLP620(D4GB-LF2,PF	
129	1403 0953	LED - SML-310MT	
130	1403 0996	LED - SML-310VT	
131	1404 0129	Varistor - VR - 63B	
132	1404 1033	Varistor - TNR9SE431K	
133	1404 1070	Varistor - TISP4290H3BJ	
134	1407 5441	IC - 74LVC00A:TSOP	
135	1407 5858	IC - SI3016	

Index No.	Part No.	Description	Q'ty Per Assembly
136	1407 6868	IC:FAME1.5:RL5T818-0002	
137	1408 1829	OPE AMP - LM358PW	
138	1408 1861	Regulator - UPC2918T	
139	1408 2080	IC - RN5RK	
140	1408 2388	Series Regulator:AIC1117A-33PYJ	
141	1503 0460	Oscillator - 32.768KHz	
142	1503 1004	Oscillator - 19.6608MHz	
143	1601 7752	Resistor Array - 10K $\Omega$ $\pm$ 5%	
144	1601 7867	Resistor - 33 $\Omega$ $\pm$ 5% 1/16W	
145	1604 5210	Capacitor - 22 $\mu$ F $\pm$ 20% 16V	
146	1604 5211	Capacitor - 47 $\mu$ F $\pm$ 20% 16V	
147	1604 5212	Capacitor - 100 $\mu$ F $\pm$ 20% 16V	
148	1604 5213	Capacitor - 220 $\mu$ F $\pm$ 20% 10V	
149	1605 1148	Capacitor - 0.1 $\mu$ F+80-20% 50V	
150	1605 1163	Ceramic Capacitor - 560pF: $\pm$ 5%:50V	
151	1605 1190	Resistor - 0.022 $\mu$ F $\pm$ 10% 50V	
152	1605 1200	Capacitor - 10pF $\pm$ 0.5pF 50V	
153	1605 1214	Capacitor - 1000pF $\pm$ 10% 50V	
154	1605 1216	Capacitor - 2200pF $\pm$ 10%50V	
155	1605 1221	Capacitor - 0.1 $\mu$ F+80-20%16V	
156	1605 1225	Capacitor - 0.1 $\mu$ F $\pm$ 10% 50V	
157	1605 1275	Capacitor:820pF: $\pm$ 5%:50V	
158	1605 1281	Capacitor - 0.22 $\mu$ F $\pm$ 10% 16V	
159	1605 1289	Capacitor - 0.1 $\mu$ F $\pm$ 10% 10V	
160	1605 1295	Capacitor:10 $\mu$ F:+80-20%:10V	
161	1605 1299	Capacitor:56pF: $\pm$ 5%:50V	
162	1605 1300	Capacitor - 270pF $\pm$ 5% 50V	
163	1605 1306	Capacitor - 1 $\mu$ F $\pm$ 10% 10V	
164	1605 1347	Capacitor - 1 $\mu$ F:+80-20%:16V	
165	1605 1353	Capacitor - 0.1 $\mu$ F $\pm$ 10% 25V	
166	1605 1396	Capacitor - 0.33 $\mu$ F $\pm$ 10% 50V	
167	1605 1398	Capacitor - 1000pF $\pm$ 20% AC250V	
168	1605 1399	Capacitor - 3900pF $\pm$ 5% 50V	
169	1605 1400	Capacitor - 150pF $\pm$ 10% AC250V	
170	1605 1401	Capacitor - 0.01 $\mu$ F $\pm$ 10% 250V	

Index No.	Part No.	Description	Q'ty Per Assembly
171	1605 1402	Capacitor - 1800pF $\pm$ 5% 50V	
172	1605 1417	Capacitor:47UF:+80-20%:10V	
173	1605 1446	Resistor - 120pF $\pm$ 5% 50V	
174	1605 1460	Capacitor:0.022UF: $\pm$ 10%:250V	
175	1605 1475	Resistor - 1 $\mu$ F $\pm$ 10% 16V	
176	1605 1539	Resistor - 1.5 $\mu$ F $\pm$ 10% 16V	
177	1605 1544	Capacitor:330pF: $\pm$ 5%:50V	
178	1605 1762	Ceramic Chip Capacitor:560pF: $\pm$ 5%:630V	
179	1607 0069	Filter:BL02RN2R1M2B	
180	1607 0425	Coil: SBT-0260	
181	1607 0824	Filter - BLM11A601SPB	
182	1607 1196	Inductor -220UH $\pm$ 20% 0.33A	
183	1607 1284	Choke Coil - ST-110BV	
184	1609 0005	Resistor:33 $\Omega$ : $\pm$ 5%:1/16W	
185	1609 0006	Resistor:10K $\Omega$ : $\pm$ 5%:1/16W	
186	1609 0026	Resistor - 47 $\Omega$ $\pm$ 5% 1/16W	
187	1634 0000	Resistor - 0 $\Omega$ 1/16W	
188	1634 0000	Resistor - 0 $\Omega$ 1/16W	
189	1640 3221	Capacitor:220 $\mu$ F: $\pm$ 20%:35V	
190	1650 4100	Resistor - 10 $\Omega$ $\pm$ 5% 1/10W	
191	1650 4101	Resistor - 100 $\Omega$ $\pm$ 5%1/10W	
192	1650 4102	Resistor - 1K $\Omega$ $\pm$ 5% 1/10W	
193	1650 4103	Resistor - 10K $\Omega$ $\pm$ 5% 1/10W	
194	1650 4104	Resistor - 100K $\Omega$ $\pm$ 5%1/10W	
195	1650 4106	Resistor - 10M $\Omega$ $\pm$ 5%1/10W	
196	1650 4121	Resistor - 120 $\Omega$ $\pm$ 5%1/10W	
197	1650 4124	Resistor:120K $\Omega$ : $\pm$ 5%:1/10W	
198	1650 4151	Resistor:150 $\Omega$ : $\pm$ 5%:1/10W:1608	
199	1650 4204	Resistor - 200K $\Omega$ $\pm$ 5%1/10W	
200	1650 4220	Chip Resistor - 22 $\Omega$ $\pm$ 5% 1/10W	
201	1650 4222	Resistor - 2.2K $\Omega$ $\pm$ 5%1/10W	
202	1650 4223	Resistor - 22K $\Omega$ $\pm$ 5%1/10W	
203	1650 4224	Resistor:220K $\Omega$ : $\pm$ 5%:1/10W	
204	1650 4304	Resistor:300K $\Omega$ : $\pm$ 5%:1/10W	
205	1650 4330	Chip Resistor - 33 $\Omega$ $\pm$ 5% 1/10W	





**26.Decals And Documents (D067/D068/D069/D072)**

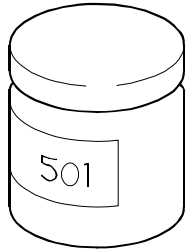
Index No.	Part No.	Description	Q'ty Per Assembly
1	AA00 3011	Manual Feed Decal	1
2	B044 2720	Decal - Cassette Operation	1
3	B044 4161	Warning Decal	1
4	B044 4617	Fusing Unit Decal	1
5	B872 6011	Decal: Misfeed Removal	1
6	B872 6021	Decal: Side Fence	1
7	B872 6031	Decal: Size: Original	1
8	B872 6041	Decal: Lever: Knob	1
9	B872 6061	Decal: Scale: Left: NA	1
9	B872 6071	Decal: Scale: Left: EU	1
10	B872 6081	Decal: Caution Chart	1
11	G029 1982	LD Decal	1
12	H555 2790	Decal - Paper Size	1

Index No.	Part No.	Description	Q'ty Per Assembly

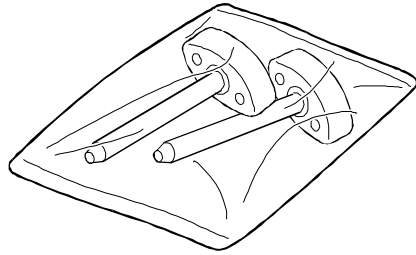


## 27.Special Tools (D067/D068/D069/D072)

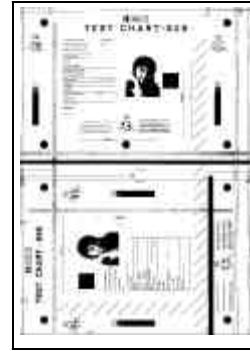
1



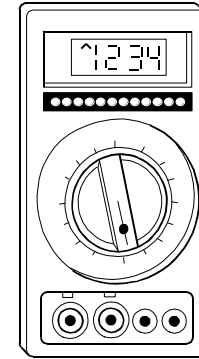
2



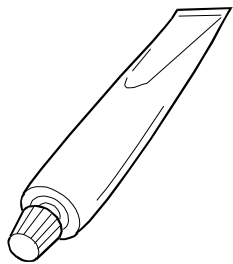
3



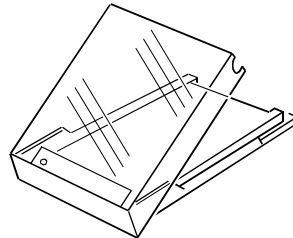
4



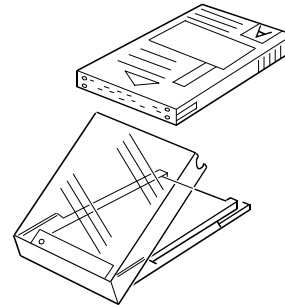
5



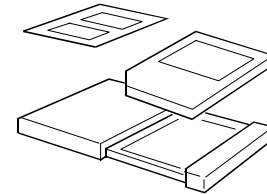
6



7



8



**27.Special Tools (D067/D068/D069/D072)**

Index No.	Part No.	Description	Q'ty Per Assembly
1	5203 9502	Grease 501	1
2	A184 9501	Optics Adjustment Tool	1
3	A292 9500	Test Chart - S5S (10 pcs/set)	1
4	VSSM 9000	Digital Multimeter-Fluke187	1
5	A257 9300	Grease - Barrierta S552R	1
6	N803 1000	Case - Flash Memory Card	1
7	N803 6701	Flash Memory Card-4MB	1
8	B645 5010	SD - Card:Ass'y	1

Index No.	Part No.	Description	Q'ty Per Assembly

# Parts Index

## PM Parts Index

Section Name	Part No.	Description in Service Manual	Description in Parts Catalog	Q'ty Per Assembly	Page and Index No.
Transport Section (D067/D068/D069/D072)	B262 3802	Transfer Roller	Transfer Roller	1	17 - 8
Transport Section (D067/D068/D069/D072)	B044 3857	Separation Plate	Separation Plate	1	17 - 19
Paper Cassette (D067/D068/D069/D072)	AF03 1061	Paper Feed Roller	Paper Feed Roller	1	19 - 12
Paper Cassette (D067/D068/D069/D072)	D067 2710	Friction Pad:Adhesion	Friction Pad:Adhesion	1	19 - 13
ARDF 2 (D068/D069/D072)	AF03 1062	Feed Roller	Feed Roller	1	23 - 18
ARDF 2 (D068/D069/D072)	AF03 0363	Pickup Roller	Pickup Roller	1	23 - 26
ARDF 3 (D068/D069/D072)	AF03 2030	Reverse Roller	Reverse Roller	1	25 - 2
Fusing Unit (D067/D068/D069/D072)	AE04 4059	Stripper Pawls	Stripper Pawls	3	39 - 21
Fusing Unit (D067/D068/D069/D072)	AE02 0164	Pressure Roller	Pressure Roller	1	39 - 26
Fusing Unit (D067/D068/D069/D072)	AE03 1044	Fusing Bushing	Fusing Bushing	2	39 - 39
Fusing Unit (D067/D068/D069/D072)	AE01 1086	Hot Roller	Hot Roller	1	39 - 40

## Parts Index

Part No.	Description	Page and Index No.
D067 1068	Sheet:Block Light:Discharge Lamp	37 - 6
D067 1250	Cover:Rear	7 - 15
D067 1252	Cover:Exit:EU	7 - 8
D067 1254	End Fence:Paper Exit	7 - 10
D067 1255	Cover:IC Card:C3	7 - 5
D067 1256	Cover:IC Card	7 - 5
D067 1262	Cover:Exit:NA	7 - 8
D067 1284	Extension Tray	7 - 9
D067 1286	Door:Front	7 - 19
D067 1301	Bracket:PCB:GW	47 - 3
D067 1308	Bracket:Fax Control Unit	47 - 6
D067 1310	Ground Plate:Expand:CTL	47 - 22
D067 1311	Ground Plate:USB	47 - 21
D067 1313	Insulating Sheet:CTL	47 - 9
D067 1314	Insulating Sheet:Fax Control Unit	47 - 8
D067 1330	Shadeing Plate:GWCTL	47 - 2
D067 1421	Operation Panel:SPF:NA/AA:D069	11 - *
D067 1422	Operation Panel:SPF:EU:D069Y	11 - *
D067 1424	Operation Panel:CF:EU:D068	11 - *
D067 1425	Operation Panel:CF:NA/AA:D068	11 - *
D067 1431	Operation Panel:NA:D069	9 - *
D067 1431	Operation Panel:NA:D069	7 - 3
D067 1432	Operation Panel:NA:D072	7 - 3
D067 1432	Operation Panel:NA:D072	9 - *
D067 1433	Operation Panel:EU:D067	9 - *
D067 1433	Operation Panel:EU:D067	7 - 3
D067 1434	Operation Panel:AA:D069	9 - *
D067 1434	Operation Panel:AA:D069	7 - 3
D067 1435	Operation Panel:EU:D069	9 - *
D067 1435	Operation Panel:EU:D069	7 - 3
D067 1436	Operation Panel:NA:D068	7 - 3
D067 1436	Operation Panel:NA:D068	9 - *
D067 1437	Operation Panel:EU:D068	7 - 3
D067 1437	Operation Panel:EU:D068	9 - *
D067 1438	Operation Panel:AA:D068	9 - *

Part No.	Description	Page and Index No.
D067 1438	Operation Panel:AA:D068	7 - 3
D067 1495	LCD:168x64DOTS	9 - 14
D067 1551	PCB:OPU	9 - 9
D067 1565	PCB:OPU:EXT	11 - 3
D067 1811	Bracket:Stepper Motor:ST-C4:Ass'y	33 - 24
D067 1901	Writing Unit	35 - *
D067 2510	Paper Tray Unit:EU	19 - *
D067 2511	Paper Tray Unit:NA	19 - *
D067 2710	Friction Pad:Adhesion	19 - 13
D067 4018	Fusing Unit:115V	39 - *
D067 4028	Fusing Unit:230V	39 - *
D067 4165	Discharge Brush:Exit	39 - 1
D067 5021	Power Supply Cord:NA	42 - 16
D067 5101	PCB:BICU:EXP:Ass'y	42 - 12
D067 5101	PCB:BICU:EXP:Ass'y	73 - *
D067 5200	Harness:Toner:Connecting	42 - 7
D067 5201	Harness:HPS	42 - 4
D067 5202	Harness:Paper Feed Sensor	42 - 5
D067 5203	Harness:Paper Feed Sensor:Connecting	39 - 12
D067 5204	Harness:LDDR:Interface	35 - 2
D067 5205	Harness:Operation Sub-unit	42 - 10
D067 5206	Harness:Power Supply Unit	42 - 8
D067 5207	Harness:DC Polygon Mirror Motor	35 - 4
D067 5210	Harness:Door Switch	42 - 11
D067 5211	Harness:Switch:Front Right	15 - 12
D067 5213	Harness:Registration Sensor	42 - 6
D067 5214	Harness:Density Sensor	17 - 16
D067 5216	Harness:Motor:Main	42 - 9
D067 5217	Harness:HVP	42 - 3
D067 5218	Harness:Paper End Sensor	15 - 21
D067 5223	Harness:Paper Feed Table:Connecting	42 - 17
D067 5223	Harness:Paper Feed Table:Connecting	42 - 27
D067 5235	Ground Wire:Cassette	45 - 3
D067 5235	Ground Wire:Cassette	39 - 61
D067 5251	Harness:Sensor:Gate	39 - 58

Part No.	Description	Page and Index No.
D067 5261	Harness:Key Counter	49 - 6
D067 5290	Harness:OPU:Expand	11 - 2
D067 5299	Harness:Key Counter:Connecting	49 - 7
D067 7501	Model Name Plate:D067:REX	7 - 4
D067 7502	Model Name Plate:D067:NSA	7 - 4
D067 7503	Model Name Plate:D067:GES:EU	7 - 4
D067 7509	Model Name Plate:D067:INF	7 - 4
D068 5080	PCB:MBU	47 - 12
D068 5101	PCB:BICU	73 - *
D068 5101	PCB:BICU	42 - 12
D068 5103	PCB:BICU:GW:AA	42 - 12
D068 5103	PCB:BICU:GW:AA	73 - *
D068 5230	Speaker Interface Harness	47 - 13
D068 5710	PCB:CTL	47 - 1
D068 5710	PCB:CTL	61 - *
D068 5821	Bracket:Hand Set	7 - 23
D068 7500	Model Name Plate:D068:RIC	7 - 4
D068 7501	Model Name Plate:D068:REX	7 - 4
D068 7502	Model Name Plate:D068:NSA	7 - 4
D068 7503	Model Name Plate:D068:GES:EU	7 - 4
D068 7504	Model Name Plate:D068:LAN:AA	7 - 4
D068 7506	Model Name Plate:D068:GES:NA/AA	7 - 4
D068 7507	Model Name Plate:D068:LAN:NA	7 - 4
D068 7508	Model Name Plate:D068:SVN	7 - 4
D068 7509	Model Name Plate:D068:INF	7 - 4
D069 5099	SD-Card:SPF	47 - 10
D069 7500	Model Name Plate:D069:RIC	7 - 4
D069 7501	Model Name Plate:D069:REX	7 - 4
D069 7502	Model Name Plate:D069:NSA	7 - 4
D069 7503	Model Name Plate:D069:GES:EU	7 - 4
D069 7504	Model Name Plate:D069:LAN:AA	7 - 4
D069 7506	Model Name Plate:D069:GES:NA/AA	7 - 4
D069 7507	Model Name Plate:D069:LAN:NA	7 - 4
D069 7508	Model Name Plate:D069:SVN	7 - 4
D069 7509	Model Name Plate:D069:INF	7 - 4

Part No.	Description	Page and Index No.
D072 7500	Model Name Plate:D072:RIC	7 - 4
D072 7506	Model Name Plate:D072:GES:NA	7 - 4
D072 7507	Model Name Plate:D072:LAN:NA	7 - 4
D072 7508	Model Name Plate:D072:SVN	7 - 5

Part No.	Description	Page and Index No.
A184 3420	Bottle Chuck	37 - 23
A184 9501	Optics Adjustment Tool	85 - 2
A250 1824	Exposure Glass Sheet	31 - 20
A257 9300	Grease - Barrierta S552R	85 - 5
A267 3556	Chuck Spring - Tonner Bottle	37 - 27
A292 9500	Test Chart - S5S (10 pcs/set)	85 - 3
A509 1063	Plate Nut	49 - 1
A509 1260	Holder Cover	49 - 2
A859 2352	Pressure Plate Pad	21 - 28
A859 4141	Pulley Idler	27 - 29
B039 1683	Tension Spring - Stepper Motor	33 - 18
B039 1695	Flange - Pulley	33 - 13
B039 1704	Spring - Timing Pulley	33 - 4
B039 1781	2nd Mirror Holder	31 - 17
B039 1785	Scanner Drive Pulley	31 - 12
B039 1786	Tension Spring	31 - 13
B044 1060	Scanner Unit Stay	45 - 1
B044 1061	Base Bracket	45 - 12
B044 1062	Base Bracket - Paper Feed	45 - 13
B044 1063	Scanner Stud	15 - 2
B044 1066	Ground Plate - Option Tray	45 - 10
B044 1067	Toner Supply Rail	37 - 31
B044 1069	Duct Shield	37 - 1
B044 1100	Shutter	37 - 17
B044 1101	Shutter Spring	37 - 18
B044 1102	Registration Electrode Plate	15 - 10
B044 1103	Shutter Cover	37 - 20
B044 1105	Positioning Plate - Toner Bottle	45 - 11
B044 1139	Damping Insulation	41 - 19
B044 1158	Bracket	41 - 42
B044 1258	Shielding Plate	7 - 7
B044 1278	Right Upper Cover	7 - 17
B044 1290	Sheet - Operation Instructions	7 - 18
B044 1661	Belt Clamp Bracket	33 - 21
B044 1663	Lens Bracket	33 - 10

Part No.	Description	Page and Index No.
B044 1669	Stopper Bracket - 1st Scanner	33 - 23
B044 1671	Bracket	33 - 22
B044 1715	Timing Belt Holder	31 - 5
B044 1719	Scanner Slider Pin	31 - 24
B044 1721	1st Mirror Holder	31 - 7
B044 1734	2nd Scanner	31 - 14
B044 1751	Flat Cable Guide	31 - 18
B044 1826	Scanner Drive Shaft	33 - 14
B044 1827	Front Idler Bracket	33 - 1
B044 1828	Rear Idler Bracket	33 - 3
B044 1847	Shoulder Screw	7 - 2
B044 1906	Seal - LDU	35 - 12
B044 1912	Laser Diode Unit:Ass'y	35 - 6
B044 1931	Shield Glass	35 - 9
B044 1941	Laser Unit Cover	35 - 10
B044 1943	Ground Plate	35 - 1
B044 1944	Shutter Plate	35 - 3
B044 1998	Plate:Harness:Imaging Unit	45 - 4
B044 1999	Spacer - 5mm	35 - 13
B044 2202	Mylar-Quenching Lamp	45 - 14
B044 2602	Turn Roller	15 - 15
B044 2603	Registration Feeler	15 - 13
B044 2604	Front Bushing	15 - 11
B044 2605	Rear Bushing	15 - 7
B044 2612	Guide Plate	17 - 1
B044 2614	Driven Roller Bushing	17 - 4
B044 2615	Pressure Spring	17 - 13
B044 2616	Support Bushing	15 - 14
B044 2617	Holder Ass'y - Paper Dust Removal	45 - 17
B044 2621	Bushing - Driven Roller	17 - 17
B044 2622	Spacer - Registration	15 - 30
B044 2624	Registration Roller Shaft	17 - 2
B044 2651	Right Rail	45 - 7
B044 2653	Guide Plate - Paper Feed	15 - 3
B044 2654	Paper Feedguide	15 - 4

Part No.	Description	Page and Index No.
B044 2656	Guide Plate Stopper	15 - 29
B044 2702	Front Side Fence	19 - 2
B044 2703	Rear Side Fence	19 - 7
B044 2704	Tray Bottom Plate	19 - 1
B044 2706	End Fence	19 - 3
B044 2713	Stopper	19 - 14
B044 2714	Rubber Plate - Friction Pad	19 - 24
B044 2715	Sponge - End Fence	19 - 22
B044 2716	Pressure Spring	19 - 6
B044 2717	Pressure Spring	19 - 21
B044 2720	Decal - Cassette Operation	19 - 20
B044 2720	Decal - Cassette Operation	83 - 2
B044 2721	Paper Tray Sheet	19 - 23
B044 2751	Joint - Paper Feed Roller	19 - 8
B044 2756	Spring - Paper Feed Roller	19 - 9
B044 2758	Shaft - Paper Feed Roller	19 - 11
B044 2801	By-pass Feed Table	13 - 2
B044 2803	Tray Bottom Plate	13 - 9
B044 2804	Front Side Fence	13 - 7
B044 2805	Rear Side Fence	13 - 8
B044 2806	Lever - Manual Feed Table	13 - 4
B044 2807	Stay - Tray Bottom Plate	13 - 11
B044 2808	Paper Guide	13 - 1
B044 2809	Spring - Manual Feed Table	13 - 6
B044 2811	Guide Plate - Manual Feed	15 - 23
B044 2812	Manual Feed Bracket	15 - 25
B044 2814	Exit Guide	15 - 16
B044 2815	Friction Pad - Manual Feed	15 - 18
B044 2817	Fricion Pad Spring	15 - 19
B044 2824	Cushion-manual Feed Roller	15 - 27
B044 2825	Spacer-manual Feed Roller	15 - 26
B044 2829	Manual Feed Shaft	15 - 22
B044 2860	Front Stopper Plate	17 - 39
B044 2861	Rear Stopper Plate	17 - 40
B044 3191	Tapping Screw-M3x8	39 - 48

Part No.	Description	Page and Index No.
B044 3191	Tapping Screw-M3x8	17 - 26
B044 3426	Chuck Shaft	37 - 24
B044 3427	Slide Shaft	37 - 25
B044 3461	Handlw Cam	37 - 26
B044 3470	Toner Supply Case Ass'y	37 - 33
B044 3475	Un Lock Grip	37 - 32
B044 3485	Slider Ass'y	37 - 28
B044 3857	Separation Plate	17 - 19
B044 3859	Discharge Plate	17 - 23
B044 3860	Transfer Plate	17 - 12
B044 3865	Transfer Roller Spring - Front	17 - 11
B044 3866	Transfer Roller Spring - Rear	17 - 10
B044 3870	Transfer Guide	17 - 14
B044 3894	Density Sensor:Longdist:Adhesion	17 - 15
B044 3990	Positioning Spring - Transfer Roller	17 - 9
B044 4104	Pressure Frame	39 - 36
B044 4112	Hot Roller Cap	39 - 50
B044 4117	Front Spring Plate	39 - 23
B044 4118	Rear Spring Plate	39 - 25
B044 4130	Pressure Lever	39 - 28
B044 4131	Bushing-Pressure Release	39 - 43
B044 4132	Side Plate	39 - 31
B044 4135	Lamp Holder	39 - 22
B044 4136	Ground Plate	39 - 46
B044 4138	Spring	39 - 5
B044 4141	Pressure Release Lever - Front	39 - 29
B044 4146	Pressure Release Lever - Rear	39 - 30
B044 4150	Hot Roller Stopper	39 - 37
B044 4152	Pressure Spring	39 - 27
B044 4153	Cushion	39 - 44
B044 4154	Exit Spring	39 - 10
B044 4155	Spring - Pickoff Pawl	39 - 20
B044 4156	Front Hot Roller Stopper	39 - 49
B044 4161	Warning Decal	83 - 3
B044 4161	Warning Decal	39 - 35



Part No.	Description	Page and Index No.
B044 4166	Spring Plate	39 - 2
B044 4170	Fusing Gear	39 - 38
B044 4179	Holder - Pickoff Pawl	39 - 51
B044 4183	Feeler	39 - 3
B044 4186	Guide Plate	39 - 4
B044 4200	Fusing Plate Nut	39 - 33
B044 4200	Fusing Plate Nut	37 - 30
B044 4200	Fusing Plate Nut	15 - 31
B044 4201	Fusing Harness Cover	39 - 34
B044 4401	Paper Holder Stand	39 - 47
B044 4616	Right Cover Lever	17 - 21
B044 4617	Fusing Unit Decal	83 - 4
B044 4617	Fusing Unit Decal	17 - 24
B044 4618	Spring Holder	17 - 3
B044 4624	Right Door Belt	17 - 20
B044 4655	Right Door	17 - 22
B044 4663	Reverse Guide Plate	17 - 18
B044 4929	Sheet - Exposure Glass	21 - 24
B044 4961	Oneway Clutch	23 - 22
B044 4962	Cushion	25 - 16
B044 5300	Paper End Sensor	45 - 8
B121 1680	Gear - 53Z/60Z	33 - 16
B121 1696	Timing Belt L147	33 - 17
B121 5501	IC:SCRATCH:KS6M2U1651CBP	73 - 1
B121 5502	LSI:TRIO:UPD65945GD-103-LML-A	73 - 2
B129 1056	Shaft Spacer	41 - 15
B129 1059	Frame-Drive-C2	37 - 34
B129 1060	PSU Stay	45 - 9
B129 1110	Rear Drive Plate 2	41 - 13
B129 1129	Plate Cushion	41 - 18
B129 1157	Side Plate - Manual Feed	41 - 22
B129 1161	Lever DC Solenoid Ass'y	41 - 16
B129 1163	Rear Drive Plate 1 Assy	41 - 30
B129 1164	Fusing Bracket Ass'y	41 - 11
B129 1175	Toner Bottle Drive Spring	37 - 4

Part No.	Description	Page and Index No.
B129 1176	Toner Supply Shaft	37 - 3
B129 1251	Left Scanner Cover EU	7 - 14
B129 1261	Left Scanner Cover NA	7 - 14
B129 1300	BICU Bracket	45 - 5
B129 1301	BICU Shadeing Plate	42 - 15
B129 1302	Power Supply Unit Bracket	45 - 16
B129 1303	Rear Cover Bracket	42 - 19
B129 1307	BICU Insulating Sheet	42 - 13
B129 1309	Interface Cover	47 - 5
B129 1313	Spring Plate - Gwctl	42 - 18
B129 1315	Separation Bracket	45 - 15
B129 1474	Spring Plate - Stl	9 - 10
B129 1474	Spring Plate:STL	11 - 4
B129 2820	Ground Plate - Manual Feed	41 - 23
B129 3465	Cover - Toner Supply Unit	37 - 29
B129 4102	Fusing Frame	39 - 16
B129 4134	Electrode Plate Fusing	39 - 45
B129 4143	Electrode Plate Cover	39 - 15
B129 4195	Thermostat Plate Nut	39 - 52
B129 4293	Tapping Screr - M3x10	39 - 60
B129 4293	Tapping Screr - M3x10	17 - 42
B129 4294	Screw-M3x13	39 - 42
B129 4703	Ground Plate - Lower Duplex Bracket	41 - 26
B229 1453	Keytop - Start	9 - 8
B229 1454	Keytop - Clear/Stop	9 - 7
B229 1475	Keytop - 10key	9 - 3
B229 1525	Keytop-Initial	9 - 4
B229 1526	Keytop - 10key NA	9 - 3
B229 1537	Keytop - Clear Modes	9 - 5
B229 1557	Keytop - 10key AA	9 - 3
B243 1458	Keytop - Power Source	9 - 6
B243 1459	Keytop - Cursor	9 - 2
B243 1477	Keytop:Copy:NA (D068)	9 - 12
B259 2786	Lever Shaft	13 - 3
B262 1064	Scanner Bracket - Front Right	15 - 1

Part No.	Description	Page and Index No.
B262 1256	Cover:Scanner:Right:EU	7 - 16
B262 1258	Plate:Exposure Glass	7 - 21
B262 1266	Cover:Scanner:Right:NA	7 - 16
B262 1310	Bracket:MKB	49 - 8
B262 1311	Bracket:Speaker	47 - 16
B262 1314	Bracket:Basic	42 - 29
B262 1318	Bracket:Key Counter Holder	49 - 3
B262 1319	Cover:Harness:Key Counter Holder	49 - 4
B262 1324	Bracket:Key Counter Holder	49 - 5
B262 1451	Cover:Upper:Basic	9 - 13
B262 1452	Cover:Lower:Basic	9 - 11
B262 1455	Sheet:Base:Right	9 - 15
B262 1459	Cover:Upper:Fax	11 - 13
B262 1460	Cover:Lower:Fax	11 - 6
B262 1461	Keytop:Dial:Fax	11 - 12
B262 1462	Keytop:Function:Fax	11 - 9
B262 1463	Cover:Function:Fax	11 - 8
B262 1464	Sheet:Base:Left	11 - 1
B262 1466	Sheet:Display:Expand:A:NA	11 - 10
B262 1468	Sheet:Display:Expand:C	11 - 11
B262 1469	Sheet:Display:Expand:D:NA	11 - 5
B262 1470	Sheet:Display:Function:Fax:NA	11 - 7
B262 1471	Cover:On-line:Dummy (D067)	9 - 1
B262 1473	Cover:Fax:Dummy (D067)	7 - 25
B262 1474	Cover:On-line:C (D068)	9 - 1
B262 1479	Cover:On-line:CPS:NA (D069)	9 - 1
B262 1481	Cover:On-line:CPS:EU (D069)	9 - 1
B262 1485	Sheet:Display:Expand:B:Blank	11 - 15
B262 1653	Rail:Front	33 - 6
B262 1654	Rail:Rear	33 - 5
B262 1663	Sheet:Flat Cable:Stabilizer	33 - 9
B262 1665	Bracket:Scale:Inner Back	33 - 8
B262 1667	Holder:Hinge:Left	29 - 20
B262 1668	Holder:Hinge:Right	29 - 21
B262 1670	Bracket:Stopper:Rear	33 - 20

Part No.	Description	Page and Index No.
B262 1677	Holder:Ferrite Core:SBU	33 - 11
B262 1681	Bracket:Scale	31 - 22
B262 1683	Supporting Plate:Right Upper	31 - 19
B262 1700	Carriage:No.1 Unit	31 - 1
B262 1741	Bracket:Belt Pulley:Idler:Front	31 - 11
B262 1745	Bracket:Belt Pulley:Idler:Rear	31 - 10
B262 1770	Lens Unit	31 - 9
B262 1802	Scale:Left:EU (D067)	7 - 12
B262 1847	Scale:Inner Back:EU	7 - 1
B262 1848	Scale:Inner Back:NA	7 - 1
B262 2623	Guide - Paper Dust Remover	45 - 2
B262 2703	Cover:Paper Tray:EU	19 - 18
B262 2704	Cover:Paper Tray:NA	19 - 18
B262 2709	Ground Plate:Tray Bottom Plate	19 - 5
B262 2711	Ground Plater	19 - 17
B262 3020	Toner Supply Unit	37 - 22
B262 3802	Transfer Roller	17 - 8
B262 4701	Spring Plate:Discharge	41 - 27
B262 5023	Power Supply Cord:Stopper:EU:Ass'y	42 - 16
B262 5208	Harness:AC:Fusing:EU	42 - 21
B262 5208	Harness:AC:Fusing:EU	39 - 59
B262 5209	Harness:AC:Fusing:NA	42 - 21
B262 5209	Harness:AC:Fusing:NA	39 - 59
B262 5220	Harness:High Voltage Line:C	37 - 9
B262 5221	Harness:High Voltage Line:B	37 - 13
B262 5222	Harness:High Voltage Line:T	37 - 10
B262 5236	Flat Cable:SBU	42 - 25
B262 5236	Flat Cable:SBU	31 - 8
B262 5237	Flat Cable:Stabilizer	31 - 2
B262 5805	Holder:Ferrite Core	42 - 23
B262 7100	LSI:CALDA:RL5C667	73 - 3
B284 1814	Stepping Motor - DC 5.3W	33 - 15
B284 5050	Speaker:B284	47 - 15
B351 4322	Tape:Pressuer Plate	29 - 13
B390 1759	Shaft:Scale	7 - 24

Part No.	Description	Page and Index No.
B433 5003	Hand Set:MLG:390:EXP:Ass'y	47 - 20
B584 5120	PCB:DDR1-DIMM-32B:128MB:Ass'y	47 - 14
B585 5140	PCB:DDR1-DIMM-32B:512MB:Ass'y	47 - 14
B620 5513	IC-FACE3-RB5A264	79 - 1
B645 5010	SD - Card:Ass'y	85 - 8
B789 4257	Pulley Flange	25 - 33
B830 1456	Timing Belt - 40S2M190	27 - 14
B843 1478	Keytop:Fax:NA	11 - 14
B843 1479	Keytop:Fax:EU	11 - 14
B872 1114	Bracket:Side Plate:Rear Right	29 - 9
B872 1121	Stopper:Original Table	25 - 24
B872 1122	Compression Spring:Stopper	25 - 25
B872 1414	Hinge:Left	29 - 10
B872 1421	Hinge:Right	29 - 11
B872 1515	Spring Plate:Guide:Exposure Glass	27 - 7
B872 1522	Guide:Exposure Glass	27 - 8
B872 1912	Cap:Paper Feed Sensor:Base	29 - 8
B872 1914	Spacer:Pressure Plate	29 - 19
B872 1915	Holder:Bracket:Pressure Plate	29 - 18
B872 1916	Bracket:Pressure Plate	29 - 17
B872 1921	Lever:Driven:Pressure	29 - 2
B872 1922	Roller:Driven:Scanning:Front	29 - 4
B872 1923	Torsion Spring:Pressure:Front	29 - 1
B872 1924	Torsion Spring:Pressure:Rear	29 - 3
B872 1931	Exit Roller:Driven	29 - 6
B872 1933	Compression Spring:Exit:Driven	29 - 7
B872 1934	Bushing:Exit	29 - 5
B872 1941	Guide:Base:Driven	29 - 16
B872 2110	Guide Plate:Paper Feed:Lower	25 - 13
B872 2112	Roller:Driven:Dia14	25 - 10
B872 2113	Shaft:Reverse:Roller:Driven	25 - 9
B872 2116	Compression Spring:Reverse:Driven	25 - 8
B872 2118	Guide:Reverse:0.1	25 - 30
B872 2211	Bracket:Reverse	25 - 14
B872 2213	Shaft:Drive:Separation	25 - 7

Part No.	Description	Page and Index No.
B872 2217	Gear:Z28	25 - 31
B872 2221	Shaft:Reverse Roller	25 - 5
B872 2222	Holder:Reverse Roller	25 - 1
B872 2223	Gear:Z17	25 - 6
B872 2251	Spring Plate:Reverse:Pressure	25 - 15
B872 2311	Guide Plate:Paper Feed:Upper	23 - 3
B872 2312	Guide Plate:Paper Feed:Upper	23 - 1
B872 2313	Cushion-Guide Plate	23 - 27
B872 2412	Bracket:Magnetic Clutch	23 - 5
B872 2420	Magnetic Clutch:Ass'y	23 - 6
B872 2421	Bushing:Feed	23 - 28
B872 2422	Shaft:Coupling:Feed	23 - 29
B872 2510	Feeder Unit	23 - 4
B872 2511	Gear:Idler:Z16	23 - 21
B872 2512	Gear:Z18	23 - 15
B872 2513	Feeler:Original Sensor	23 - 13
B872 2514	Shaft:Pickup	23 - 14
B872 2515	Cushion:Bracket:Feed	23 - 20
B872 2521	Shaft:Feed:C	23 - 12
B872 2523	Spring Clutch:Feed:DIA6	23 - 11
B872 2524	Spacer:DIA9	23 - 10
B872 2525	Bracket:Feed	23 - 31
B872 2526	Spring:Roller Clutch	23 - 16
B872 2527	Roller Clutch:Bracket:Feed	23 - 19
B872 2528	Gear:Z18	23 - 24
B872 2529	Collar:Pickup	23 - 25
B872 2611	Roller:R0	25 - 29
B872 2612	Gear:Z19	25 - 27
B872 2613	Gear:Z22	25 - 21
B872 2614	Bushing:R1	25 - 3
B872 3111	Guide Plate:Scanning:Lower	27 - 4
B872 3113	Spring Plate:Earth:Exit	27 - 11
B872 3114	Discharge Brush:Lower	27 - 6
B872 3121	Guide Plate:Scanning:Upper	27 - 1
B872 3211	Roller:Scanning:Front:Drive	27 - 2

Part No.	Description	Page and Index No.
B872 3212	Pulley:T25	27 - 16
B872 3221	Roller:Exit:Drive	27 - 3
B872 3222	Timing Pulley:T32	27 - 23
B872 3223	Timing Pulley:T32	27 - 15
B872 3233	Torque Limiter:T24:S2M	25 - 26
B872 3241	Knob:Pick-up Paper Jam	27 - 12
B872 3261	Roller:Reverse:Drive	25 - 28
B872 3311	Exchange Powl:Reverse	27 - 10
B872 3312	Lever:Exchange Powl	27 - 26
B872 3313	Tension Spring:Exchange Powl	27 - 24
B872 4113	Gear:Z44/T16	25 - 19
B872 4116	Gear:Z44/T14	25 - 18
B872 4121	Gear:Idler:Z17	25 - 34
B872 4131	Inner Cover:Left Rear	27 - 28
B872 4141	Bracket:Motor:Paper Feed:Ass'y	25 - 22
B872 4210	Bracket:Motor:Transport	27 - 22
B872 4214	Pulley:T16/T44	27 - 19
B872 4216	Tension Spring:Motor:Transport	27 - 20
B872 4310	DC Solenoid:Exchange Powl	27 - 27
B872 4512	Pressure Plate	29 - 14
B872 4513	Tape:Pressure Plate:Left	29 - 15
B872 4611	Original Table	21 - 15
B872 4612	Guide:Original Table:Front	21 - 12
B872 4613	Guide:Original Table:Rear	21 - 11
B872 4615	Cover:Original Table	21 - 9
B872 4616	Roller:Reverse:Pressure	21 - 8
B872 4621	Original Table:Auxiliary	21 - 16
B872 4624	Spring Plate	21 - 7
B872 4711	Cover:Open And Close	21 - 2
B872 4712	Guide Mylar	21 - 30
B872 4721	Shaft:Pressure:Dia4	21 - 4
B872 4722	Spring Plate:R0	21 - 6
B872 4726	Case:Magnetic	21 - 26
B872 4731	Cover:Rear	21 - 14
B872 4741	Cover:Front	21 - 19

Part No.	Description	Page and Index No.
B872 5100	PCB:Main Control	23 - 9
B872 5210	Harness:Interface	23 - 8
B872 5240	Harness:Main	23 - 7
B872 5250	Harness:Dc Solenoid	27 - 25
B872 5810	Stepper Motor DC24V 3.53W	25 - 23
B872 5820	Stepper Motor:DC24V 3.35W	27 - 21
B872 6011	Decal:Misfeed Removal	21 - 1
B872 6011	Decal:Misfeed Removal	83 - 5
B872 6021	Decal:Side Fence	83 - 6
B872 6021	Decal:Side Fence	21 - 10
B872 6031	Decal:Size:Original	83 - 7
B872 6031	Decal:Size:Original	21 - 5
B872 6041	Decal:Lever:Knob	29 - 12
B872 6041	Decal:Lever:Knob	83 - 8
B872 6061	Decal:Scale:Left:NA	21 - 20
B872 6061	Decal:Scale:Left:NA	83 - 9
B872 6071	Decal:Scale:Left:EU	21 - 20
B872 6071	Decal:Scale:Left:EU	83 - 9
B872 6081	Decal:Caution Chart	83 - 10
B872 6081	Decal:Caution Chart	21 - 29
B872 7010	Scale:Left:Adhesion (D068/D069/D072)	21 - 22
B872 7014	Cap:Registration Sensor:Scale	21 - 21
D009 5871	Connector Cap - USB-A	47 - 4
D009 5891	Left Rail - Fax Control Unit	47 - 18
D009 5899	Right Rail - Small	47 - 17
D401 5132	PCB:GWFCU3:NA:Ass'y	47 - 11
D401 5132	PCB:GWFCU3:NA:Ass'y	79 - *
D401 5134	PCB:GWFCU3:EU:Ass'y	79 - *
D401 5134	PCB:GWFCU3:EU:Ass'y	47 - 11
D461 2705	Grip:Option:Paper Tray	19 - 25
G014 3291	Snap Ring - Pick Up	37 - 21
G020 2599	Spring - Release Lever	19 - 15
G020 2772	By-pass Paper End Sensor	15 - 24
G025 2730	Cylindrical Lens	35 - 7
G025 2731	Synchronizing Detector Lens	35 - 8

Part No.	Description	Page and Index No.
G029 1982	LD Decal	35 - 11
G029 1982	LD Decal	83 - 11
G512 3029	Rubber Foot	45 - 6
G800 3133	Side Fence Gear	13 - 10
G800 3133	Side Fence Gear	19 - 4
G827 1023	Magnetic:Hale:DIA10x7	21 - 27
H072 2220	Spacer - M6x10	23 - 17
H310 4120	Plate:Logotype:RIC	7 - 13
H310 4120	Plate:Logotype:RIC	7 - 20
H521 1350	Pad - Pick-up	23 - 2
H521 3355	C Ring - Paper Feed Roller	19 - 16
H521 3355	C Ring - Paper Feed Roller	15 - 5
H523 5350	Telephone Cable	7 - 22
H547 4203	Guide Plate Sponge	47 - 7
H555 2790	Decal - Paper Size	83 - 12
H555 2790	Decal - Paper Size	7 - 6
H555 4182	Plate:Logotype:SAV	7 - 20
H555 4183	Plate:Logotype:H555:LAN	7 - 20
H555 4184	Plate:Logotype:H555:INF	7 - 13
H555 4184	Plate:Logotype:H555:INF	7 - 20
H555 4185	Plate:Logotype:H555:NSA	7 - 13
H555 4185	Plate:Logotype:H555:NSA	7 - 20
H555 4186	Plate:Logotype:H555:REX	7 - 13
H555 4186	Plate:Logotype:H555:REX	7 - 20
H555 4187	Plate:Logotype:H555:GES	7 - 13
H555 4187	Plate:Logotype:H555:GES	7 - 20
H555 5150	Ferrite Core	42 - 24
H555 5150	Ferrite Core	31 - 23
H556 2201	Reargate Plate Guide	39 - 54
H556 2202	Front Gate Plate Guide	39 - 55
H556 2206	Guide Plate	39 - 24
H556 2208	Gate Plate	39 - 53
H556 2210	Gear - 19/28Z	39 - 13
H556 2219	Gear Bracket	39 - 56
H556 2220	Roller	39 - 57

Part No.	Description	Page and Index No.
H556 2222	Stud	39 - 14
H556 2818	Guide Plate	17 - 25
H556 2820	Mylar Reverse	17 - 28
H556 4172	Duplex Drive Bracket	41 - 24
H556 4178	Spring Plate	41 - 32
H556 4180	Plate Bracket	41 - 35
H556 4181	Spring Plate	17 - 33
H556 4183	Swivel Bracket	41 - 31
H556 4185	Transport Roller Holder	17 - 34
H556 4186	Positioning Roller	17 - 32
H556 4188	Sheet	17 - 37
H556 4189	Sheet	17 - 38
H556 4190	Transport Roller	17 - 36
H556 4192	Right Guide Plate	17 - 30
H556 5857	OPIF Rail	47 - 19

Part No.	Description	Page and Index No.
N803 1000	Case - Flash Memory Card	85 - 6
N803 6701	Flash Memory Card-4MB	85 - 7

Part No.	Description	Page and Index No.
AA00 3011	Manual Feed Decal	13 - 13
AA00 3011	Manual Feed Decal	83 - 1
AA04 2053	Belt:3mm	31 - 15
AA04 3582	Timing Belt	41 - 33
AA04 3603	Timing Belt:B40S2M128	27 - 18
AA04 3603	Timing Belt:B40S2M128	25 - 20
AA04 3604	Timing Belt:B40S2M110	27 - 17
AA04 3605	Timing Belt:B40S3M114	27 - 13
AA04 3997	Timing Belt:ST55	33 - 2
AA06 2326	Spring - Swivel Fusing	41 - 17
AA06 3409	Right Door Spring	17 - 7
AA06 3443	Lever Spring	17 - 29
AA08 0034	Bushing - 4x5x7	25 - 11
AA08 0322	Bushing - 6mm	15 - 17
AA08 2101	Bushing - 6x10x6	33 - 25
AA08 2101	Bushing - 6x10x6	19 - 10
AA11 3032	Electrode Plate - Development	37 - 12
AA11 3034	Electrode Plate - Charge	37 - 8
AA11 3035	Electrode Plate - Transfer	37 - 11
AA12 0104	Ground Plate - Registration	41 - 21
AA12 0124	Ground Plate - Drum Drive	41 - 20
AA13 2217	Collar	41 - 6
AA14 3544	Screw - M3	27 - 9
AA14 3592	Screw- M4x6	42 - 28
AA14 3788	Pin:Guide Plate:Paper Feed	21 - 17
AA14 3804	Fusing Shaft 5	41 - 12
AA14 3866	Screw:DIA3.4:M3	21 - 25
AA14 8651	Shaft - Paper Feed Roller	37 - 15
AA16 1157	Bracket Cushion	41 - 14
AA17 0026	Insulating Sheet Power Pack	42 - 14
AB00 0025	Drum Shaft	37 - 16
AB00 0027	Development Shaft Ass'y	37 - 19
AB01 0358	Gear - 64Z	37 - 7
AB01 0362	Gear - 49Z	41 - 40
AB01 1438	Gear - 41Z	41 - 3

Part No.	Description	Page and Index No.
AB01 1492	Gear - 29Z	41 - 4
AB01 2033	Gear - 21Z	17 - 31
AB01 7582	Coupled Gear 22/50Z	37 - 14
AB01 7585	Coupled Gear - 17/44Z	41 - 8
AB01 7586	Coupled Gear - 43/53Z	41 - 2
AB01 7587	Coupled Gear - 17/44Z	41 - 7
AB01 7591	Gear - 18/30Z	25 - 32
AB01 7627	Gear - 28/43Z	41 - 43
AB01 7628	Gear - 19/38Z	41 - 29
AB01 7629	Gear - 19/21Z	41 - 9
AB01 7659	Gear - 43/91Z	41 - 41
AB01 7660	Gear - 44/67Z	41 - 38
AB01 7661	Gear - 29/69Z	41 - 37
AB01 7662	Gear - 17/67Z	41 - 39
AB01 7663	Gear - 18/40Z	41 - 10
AB03 0711	Drive Pulley - 37T	33 - 19
AB03 2071	Pulley - 24Z	41 - 34
AB03 3095	Drive Pulley - 41T/37T	33 - 12
AB04 0023	Spring Clutch:0.7N.m:Z53	37 - 5
AC01 2070	Exposure Glass	7 - 11
AC01 3005	DF Exposure Glass	21 - 23
AC03 0145	1st Mirror	31 - 6
AC03 0146	2nd Mirror	31 - 16
AE01 1086	Hot Roller	39 - 40
AE02 0164	Pressure Roller	39 - 26
AE03 1035	Pressure Roller Bushing	39 - 32
AE03 1044	Fusing Bushing	39 - 39
AE04 4059	Stripper Pawls	39 - 21
AF02 0686	Registration Roller	15 - 8
AF02 2139	Driven Roller - Front Rear	17 - 5
AF02 2140	Middle Driven Roller	17 - 6
AF02 2141	Turn-roller	39 - 6
AF02 2142	Middle Roller	39 - 8
AF02 2143	Guide Roller	17 - 27
AF02 2144	Pressure Roller	21 - 3

Part No.	Description	Page and Index No.
AF02 2152	Transport Driven Roller	17 - 35
AF03 0363	Pickup Roller	23 - 26
AF03 1061	Paper Feed Roller	19 - 12
AF03 1062	Feed Roller	23 - 18
AF03 1086	By-pass Feed Roller	15 - 20
AF03 2030	Reverse Roller	25 - 2
AF04 0588	Exit Roller	39 - 9
AF04 0603	Exit Roller	39 - 7
AW01 0109	Photo Reflection Sensor:PS117ED1	27 - 5
AW02 0141	Photointerruptor	25 - 12
AW02 0155	Photointerruptor:Paper Size Sensor	25 - 17
AW10 0088	Thermistor - Fusing	39 - 18
AW11 0037	Thermostat - 160C	39 - 17
AW11 0038	Thermostat - 170C	39 - 19
AX06 0336	Stepper Motor-Duplex-DC24V 14.9W	41 - 25
AX06 0342	Polygon Scannermotor-DC24V	35 - 5
AX06 0344	Brushless Motor:DC24V:20W	41 - 28
AX20 0303	Magnetic Clutch:245mN.m	23 - 30
AX20 0308	Magnetic Clutch:0.25N.m:Z43	15 - 6
AX20 0309	Magnetic Clutch:0.25N.m:Z43	41 - 5
AX20 0310	Magnetic Clutch:0.25N.m:Z43	15 - 28
AX31 0049	Total Counter:7Fig:24V	42 - 22
AX44 0202	Heater - 120V/800W	39 - 41
AX44 0203	Heater - 230V:750W	39 - 41
AX50 0096	Xenon Lamp:Dia8	31 - 4
AX50 0098	Quenching Lamp	37 - 2
AZ23 0162	Power Supply Unit:200V	42 - 20
AZ23 0226	Power Supply Unit:S-C3:100V	42 - 20
AZ32 0152	Power Pack BCT	42 - 2
AZ50 0073	Stabilizer-xenon Lamp	31 - 3
BB01 3003	Gear - 14Z	21 - 13
BB01 3006	Gear - 27Z	41 - 1
GW02 0020	Photointerruptor:LG248NL1	33 - 7
GW02 0020	Photointerruptor:LG248NL1	15 - 9
GW02 0020	Photointerruptor:LG248NL1	31 - 21

Part No.	Description	Page and Index No.
GW02 0020 GX64 5734	Photointerruptor:LG248NL1 Fan Motor:MM80 DC24V 3.12W	39 - 11 42 - 1

Part No.	Description	Page and Index No.
VSSM 9000	Digital Multimeter-Fluke187	85 - 4



Part No.	Description	Page and Index No.
0353 0040N	Screw - M3x4	27 - 106
0353 0040N	Screw - M3x4	41 - 107
0353 0060N	Bind Screw - M3x6	33 - 108
0353 0060N	Bind Screw - M3x6	49 - 104
0353 0080N	Screw:M3x8	49 - 103
0353 0080N	Screw:M3x8	47 - 104
0354 0160N	Screw:M4x16	49 - 102
0360 3006N	Screw - M3x6	47 - 102
0360 3006P	Screw - M3x6	33 - 103
0450 3006N	Tapping Screw - M3x6	29 - 107
0450 3006N	Tapping Screw - M3x6	21 - 103
0450 3006N	Tapping Screw - M3x6	15 - 102
0450 3008N	Tapping Screw - M3x8	17 - 102
0450 3008N	Tapping Screw - M3x8	45 - 101
0450 3008N	Tapping Screw - M3x8	31 - 101
0450 3008N	Tapping Screw - M3x8	19 - 103
0450 3008N	Tapping Screw - M3x8	29 - 103
0450 3008N	Tapping Screw - M3x8	23 - 104
0450 3008N	Tapping Screw - M3x8	42 - 102
0450 3008N	Tapping Screw - M3x8	41 - 108
0450 3008N	Tapping Screw - M3x8	35 - 101
0450 3008N	Tapping Screw - M3x8	37 - 101
0450 3008N	Tapping Screw - M3x8	39 - 101
0450 3010N	Tapping Screw - M3x10	19 - 104
0450 3010N	Tapping Screw - M3x10	41 - 103
0450 3010N	Tapping Screw - M3x10	29 - 105
0450 3010N	Tapping Screw - M3x10	7 - 103
0450 3010N	Tapping Screw - M3x10	45 - 104
0450 3035N	Tapping Screw:3x35	42 - 101
0450 4008N	Tapping Screw - M4x8	49 - 101
0451 3006N	Tapping Screw - 3x6	27 - 105
0451 3006N	Tapping Screw - 3x6	45 - 103
0451 3006N	Tapping Screw - 3x6	25 - 106
0451 3006N	Tapping Screw - 3x6	47 - 101
0451 3006N	Tapping Screw - 3x6	31 - 102

Part No.	Description	Page and Index No.
0451 3006N	Tapping Screw - 3x6	33 - 101
0451 3006N	Tapping Screw - 3x6	39 - 102
0451 3006N	Tapping Screw - 3x6	41 - 101
0451 3006N	Tapping Screw - 3x6	7 - 102
0451 3006N	Tapping Screw - 3x6	13 - 101
0451 3006N	Tapping Screw - 3x6	15 - 101
0451 3006N	Tapping Screw - 3x6	42 - 103
0451 3006N	Tapping Screw - 3x6	23 - 103
0451 3008N	Tapping Screw - M3x8	39 - 103
0451 3008N	Tapping Screw - M3x8	7 - 101
0451 3008N	Tapping Screw - M3x8	27 - 101
0451 3008N	Tapping Screw - M3x8	33 - 109
0451 3008N	Tapping Screw - M3x8	21 - 102
0451 3010N	Tapping Screw:3x10	29 - 106
0452 3008N	Tapping Screw - M3x8	37 - 105
0452 3008N	Tapping Screw - M3x8	21 - 101
0452 3010N	Binding Self-Tapping Screw:3x10	35 - 102
0452 3010N	Binding Self-Tapping Screw:3x10	9 - 101
0452 3010N	Binding Self-Tapping Screw:3x10	31 - 104
0452 3010N	Binding Self-Tapping Screw:3x10	11 - 101
0452 3012N	Binding Self-Tapping Screw:M3x12	9 - 102
0452 3012N	Binding Self-Tapping Screw:M3x12	11 - 102
0453 3006N	Tapping Screw - M3x6	41 - 102
0453 3006N	Tapping Screw - M3x6	47 - 103
0453 3006N	Tapping Screw - M3x6	33 - 107
0454 3006Q	Tapping Screw - M3x6	33 - 102
0454 3006Q	Tapping Screw - M3x6	29 - 104
0454 3006Q	Tapping Screw - M3x6	25 - 107
0622 0120E	Spring Pin - 2x12mm	19 - 102
0720 0030E	Retaining Ring - M3	23 - 102
0720 0030E	Retaining Ring - M3	25 - 102
0720 0040E	Retaining Ring - M4	17 - 101
0720 0040E	Retaining Ring - M4	41 - 104
0720 0040E	Retaining Ring - M4	15 - 103
0720 0040E	Retaining Ring - M4	25 - 101

Part No.	Description	Page and Index No.
0720 0040E	Retaining Ring - M4	27 - 104
0720 0040E	Retaining Ring - M4	23 - 101
0720 0060E	Retaining Ring - M6	25 - 105
0720 0060E	Retaining Ring - M6	33 - 105
0740 3906	Ball Bearing - 6x15x5	33 - 104
0805 0088	Retaining Ring - M6	27 - 103
0805 0089	Retaining Ring - M4	27 - 107
0805 0089	Retaining Ring - M4	19 - 101
0805 3480	Bushing - 6mm	27 - 102
0805 3480	Bushing - 6mm	25 - 104
0954 3008N	Screw - M3x8	45 - 102
0954 3008N	Screw - M3x8	39 - 104
1102 4201	Connector - 2P	79 - 101
1102 4202	Connector:292132-3	73 - 101
1102 4205	Connector:292132-6	73 - 102
1102 4462	CT Header(H) - 4P	73 - 103
1102 4559	Connector - 3P	37 - 104
1102 4619	Connector - 2P	73 - 104
1102 4631	CT Connector - 2P	73 - 105
1102 4633	CT Header - 4P	79 - 102
1102 5302	Connector - 3P	73 - 106
1102 5306	Connector - 7P	73 - 107
1102 6259	Connector - 2P	37 - 103
1102 6295	Connector:53324-0260	73 - 108
1102 6297	Connector - 4P	73 - 109
1102 6304	Connector - 11P	73 - 110
1102 6309	Connector - 2P	73 - 111
1102 7604	Connector - 52830-6245	79 - 103
1102 7615	Connector - B8B-XH-A	61 - 101
1102 8153	Connector - FCN-568P068-G/05A-V4	73 - 112
1102 8212	Connector:TX24-50R-10ST-H1E	61 - 102
1102 8329	Connector - USB - UBB-4R-D14C	61 - 103
1102 8471	Connector - 55447-071	73 - 113
1102 8477	Connector - 13P	73 - 114
1102 8807	Connector - FFC/FPC-52045-0545	73 - 115

Part No.	Description	Page and Index No.
1102 9093	Connector:RHM-88R-SSK-01-1	79 - 104
1102 9110	Connector - 353297-6	73 - 116
1102 9181	Connector:TX24-100R-12ST-N1E	61 - 104
1102 9336	Connector:FPS009-2300-0	61 - 105
1102 9548	Connector - TX25-100P-8ST-H1	73 - 117
1102 9634	Connector - WR-60P-VF50-1	79 - 105
1102 9710	Connector - 5-353297-4	73 - 118
1102 9890	Connector:5-1605706-2	61 - 106
1102 9956	Connector:UBA-4R-D14T-4D(LF)(SN)	61 - 107
1103 3863	Connector - 52806-1810	73 - 119
1103 3983	Connector	73 - 120
1103 3984	Connector	73 - 121
1103 3986	Connector	73 - 122
1103 3987	Connector	73 - 123
1103 3988	Connector	73 - 124
1103 3989	Connector	73 - 125
1103 3993	Connector	73 - 126
1103 3996	Connector	73 - 127
1103 3997	Connector	73 - 128
1103 3998	Connector	73 - 129
1103 4017	Connector	73 - 130
1103 4043	Connector:87825-1001	61 - 108
1103 4234	RHM-176P-SDK11-UH1L1C(LF)(SN)	61 - 109
1104 0821	IC Socket:16008-B0A0020N	61 - 110
1105 0232	Locking Card Spacer	79 - 106
1105 0409	Card Spacer- 6.4mm	45 - 105
1105 0436	Locking Support - KGCP-08-0	23 - 106
1105 0487	Harness Clamp	41 - 105
1105 0487	Harness Clamp	47 - 106
1105 0487	Harness Clamp	42 - 105
1105 0499	Support Spacer - M3x29	41 - 109
1105 0508	Harness Clamp - LWS-0711	29 - 102
1105 0508	Harness Clamp - LWS-0711	49 - 105
1105 0511	Harness Clamp - LWS-0306ZC	45 - 106
1105 0511	Harness Clamp - LWS-0306ZC	37 - 102

Part No.	Description	Page and Index No.
1105 0511	Harness Clamp - LWS-0306ZC	47 - 105
1105 0511	Harness Clamp - LWS-0306ZC	35 - 103
1105 0511	Harness Clamp - LWS-0306ZC	41 - 106
1105 0511	Harness Clamp - LWS-0306ZC	33 - 106
1105 0511	Harness Clamp - LWS-0306ZC	31 - 103
1105 0511	Harness Clamp - LWS-0306ZC	25 - 103
1105 0511	Harness Clamp - LWS-0306ZC	29 - 101
1105 0516	Clamp	25 - 109
1105 0518	Edge Saddle - LES-1010	21 - 104
1105 0522	Edge Saddle - LES0510	45 - 107
1105 0522	Edge Saddle - LES0510	33 - 110
1105 0522	Edge Saddle - LES0510	42 - 104
1105 0612	Clamp:EDS-0704L-V0	25 - 108
1105 0612	Clamp:EDS-0704L-V0	23 - 105
1107 1083	Fuse:SST 4	61 - 111
1107 1099	Fuse SST 5	61 - 112
1109 0009	Fuse:MINISMDC075F	61 - 113
1204 2464	Switch:SKHMQKE010	61 - 114
1204 2521	Micro Switch	15 - 104
1204 2529	Switch - V-5F912DN	15 - 105
1204 2791	Dip Switch:DM-04-V	61 - 115
1206 0084	2ndary Lithium Cell:VL2330/1HF	79 - 107
1206 0124	Lithium Cell:CR2032VO4H/Z	61 - 116
1208 1438	Relay - EC2 5ND	79 - 108
1400 0356	Transistor - 2SA1036K	73 - 131
1400 0769	Transistor - 2SA1576A	79 - 109
1400 0775	Transistor - 2SC4081	79 - 110
1400 0781	Transistor:2SB1132R	79 - 111
1400 0789	Transistor - IMT17	73 - 132
1400 0799	Transistor - 2SB1326	73 - 133
1400 0841	Transistor:2SD1898Q	79 - 112
1400 0901	Transistor - DTC144VUA	73 - 134
1400 0953	Transistor - 2SC4081S	73 - 135
1400 0967	Transistor - DTC123EUA	73 - 136
1400 1018	Transistor - MMBTA42	79 - 113

Part No.	Description	Page and Index No.
1400 1019	Transistor - MMBTA92	79 - 114
1400 1174	Transistor - SRC1219MF	73 - 137
1400 1190	Transistor - STD1664	73 - 138
1400 1191	Transistor - RT3NDDM-T111	73 - 139
1400 1208	Transistor - SUR519J	73 - 140
1400 1241	Transistor:SRC1206MF	73 - 141
1400 1255	Transistor:2SA1979MF-Y	73 - 142
1400 1281	Transistor:2SC4155A-T111	73 - 143
1400 1285	Transistor:RT1N237M-T111	73 - 144
1401 1056	FET - 2SK2158	79 - 115
1401 1116	Transistor - 2SC5053	79 - 116
1401 1174	FET:2SK3054-A	73 - 145
1401 1318	FET - HAT2198R	61 - 117
1401 1415	FET:SI3434DV-E3	61 - 118
1401 1448	FET:SI3447BDV-E3	61 - 119
1401 1466	FET:SI4800BDY-E3	61 - 120
1401 1474	FET:SI3443BDV-E3	61 - 121
1401 1475	FET:SI3867DV-E3	61 - 122
1402 0506	Diode - RD43EB	79 - 117
1402 1336	Diode - 1SS355	61 - 123
1402 1336	Diode - 1SS355	79 - 118
1402 1343	Diode - RB106L-40	79 - 119
1402 1365	Diode-RB751V-40	61 - 124
1402 1384	Diode - UDZS12B	79 - 120
1402 1505	Diode - UDZS5.6B	79 - 121
1402 1511	Zenerdiode - MTZJ13B	73 - 146
1402 1530	Diode - RB520S-30	79 - 122
1402 1565	Diode:RB521S-30	73 - 147
1402 1584	Diode:DAN217U	79 - 123
1402 1599	Diode - RB551	79 - 124
1402 1647	Diode - UDZS3.6B	79 - 125
1402 1698	Diode - RB	79 - 126
1402 1734	Diode - 1SR156-400	79 - 127
1402 1929	Diode:RB160M-30	61 - 125
1402 1932	Diode:SDS142WMF	73 - 148

Part No.	Description	Page and Index No.
1402 1995	Diode:SDS511	73 - 149
1402 2039	Diode:RSX301LA-30	61 - 126
1402 2042	Diode:SDS142WAF	73 - 150
1403 0908	Photocoupler:TLP620(D4GB-LF2,PF	79 - 128
1403 0953	LED - SML-310MT	79 - 129
1403 0953	LED - SML-310MT	61 - 127
1403 0978	LED:SML-310DT	61 - 128
1403 0996	LED - SML-310VT	79 - 130
1403 0996	LED - SML-310VT	73 - 151
1403 1131	LED:SML-311UT	61 - 129
1404 0129	Varistor - VR - 63B	79 - 131
1404 1033	Varistor - TNR9SE431K	79 - 132
1404 1070	Varistor - TISP4290H3BJ	79 - 133
1407 2187	TTLIC - SN74LS07NS	73 - 152
1407 5009	CMOS Logic:TC7SET04FU	61 - 130
1407 5190	CMOS Logic:TC7SZ08FU	61 - 131
1407 5299	RAM:FM1608-120-PG	73 - 316
1407 5351	IC - SN74LV14APW	61 - 132
1407 5353	IC - SN74LV244APW	73 - 164
1407 5374	IC - SN74LV4052APW	73 - 153
1407 5441	IC - 74LVC00A:TSOP	79 - 134
1407 5454	IC - SN74LV86APW	73 - 154
1407 5482	IC - SN74LVC07APW	61 - 133
1407 5520	IC - SN74LVC125APW	61 - 134
1407 5523	ROM - I2C SOP 3V	61 - 135
1407 5528	IC - SN74LVC126APW	61 - 136
1407 5588	IC - MTD2006F	73 - 155
1407 5858	IC - SI3016	79 - 135
1407 6032	IC - SN74LV161APW	73 - 156
1407 6050	CMOS Logic:TC74VHC08FT(K)	73 - 157
1407 6053	CMOS Logic:TC74VHC32FT(K)	73 - 158
1407 6145	IC:SN74LVC373APW	61 - 137
1407 6265	Real Time Clock:R2025S	61 - 138
1407 6305	CPU:RM5231A-400L-B002	61 - 139
1407 6400	Clock Generator - ICS960013BFLF	61 - 140

Part No.	Description	Page and Index No.
1407 6584	IC - STK672-400B-E	73 - 159
1407 6671	USB Controller:UPD720102GC-YEB-A	61 - 141
1407 6723	Custom IC:CORNET	61 - 142
1407 6732	RAM:FM25L512-PGC(REV.AC):512K	47 - 107
1407 6732	RAM:FM25L512-PGC(REV.AC):512K	61 - 307
1407 6741	LAN Controller LSI:DP83848JSQ/NOPB	61 - 143
1407 6801	CMOS Logic:TC7PA17FU	61 - 144
1407 6803	CMOS Logic:TC7SZ07FU	61 - 145
1407 6826	CPU:HD64F2364VTE34V	73 - 160
1407 6853	CMOS Logic:HD74LV1GW17ACM	61 - 146
1407 6863	Controller:ST19WP18FT28PVG1	61 - 147
1407 6868	IC:FAME1.5:RL5T818-0002	79 - 136
1407 6898	CMOS Logic:TC7WH126FK	61 - 148
1407 6899	CMOS Logic:TC7WH125FK	61 - 149
1407 6904	CMOS Logic:TC74LCX07FT(K)	73 - 161
1407 6944	USB Controller IC:ST72681/R21	61 - 150
1407 6951	CMOS Logic:TC7MBL3245SFK	61 - 151
1407 6975	Driver:KID65003AP/P	73 - 162
1407 6984	CMOS Logic:TC74LCX245FT(K)	73 - 163
1407 7004	CMOS Logic:TC74VHCT08AFT(K)	73 - 165
1407 7005	CMOS Logic:TC74VHCT244AFT(K)	61 - 152
1407 7149	CMOS Logic:TC74LCX16244	61 - 153
1407 7150	CMOS Logic:TC74LCX16245	61 - 154
1408 1653	Operational Amplifier:LMV324IPW	73 - 166
1408 1669	Series Regulator:R1170H331B	73 - 167
1408 1826	IC - R3112Q421A	61 - 155
1408 1829	OPE AMP - LM358PW	79 - 137
1408 1850	Regulator - R1170H181B	73 - 168
1408 1861	Regulator - UPC2918T	79 - 138
1408 2053	IC:R3112Q291A-FA	61 - 156
1408 2080	IC - RN5RK	79 - 139
1408 2087	IC:LTC3736EμF#TRPBF	61 - 157
1408 2336	ANALOG IC - WM8214SCDS	73 - 169
1408 2384	Series Regulator - BAJ2CC0WFP	73 - 170
1408 2388	Series Regulator:AIC1117A-33PYJ	79 - 140

Part No.	Description	Page and Index No.
1408 2463	DDR Terminator - TPS51116PWP4	61 - 158
1408 2484	IC:LTC3808EDE#PBF	61 - 159
1408 2537	Series Regulator:KIA7805API/P	73 - 171
1408 2725	IC:R3112N381A-F	73 - 172
1408 2727	IC:R3112N441A-F	73 - 173
1503 0460	Oscillator - 32.768KHz	79 - 141
1503 0993	Crystal Oscillator - 14.7456MHz	73 - 174
1503 1004	Oscillator - 19.6608MHz	79 - 142
1503 1138	Crystal Oscillator - 48MHz	61 - 160
1503 1319	Crystal Oscillator - 16.2MHz	73 - 175
1503 1355	Crystal Oscillator:25MHz	61 - 161
1503 1355	Crystal Oscillator:25MHz	61 - 162
1503 1363	Crystal Oscillator:12MHz	61 - 163
1503 1379	Crystal Oscillator:14.31818MHz	61 - 164
1600 1418	Resistor - 1.0Ω 1W	73 - 176
1600 1684	Resistor - 0.47Ω ±5% 2W	73 - 177
1601 5390	Resistor - 270Ω ±27Ω 1W	73 - 178
1601 5492	Resistor - 47Ω ±5% 2W	73 - 179
1601 5668	Resistor - 390 Ω ±5% 2W	73 - 180
1601 7752	Resistor Array - 10K Ω ±5%	79 - 143
1601 7867	Resistor - 33 Ω ±5% 1/16W	79 - 144
1601 7877	Resistor Array 4.7K Ω ±5% 1/32W	73 - 181
1601 7887	Resistor Array - 10K Ω ±5% 1/32W	61 - 165
1601 7887	Resistor Array - 10K Ω ±5% 1/32W	73 - 182
1601 7896	Resistor Array - 56 Ω ±5% 1/32W	61 - 166
1601 7898	Resistor Array	61 - 167
1601 7898	Resistor Array	73 - 183
1601 7913	Resistor 22 Ω ±5% 1/32W	61 - 168
1601 7914	Resistor Array - 47 Ω ±5%	61 - 169
1601 7943	Resistor Array - 68 Ω ±5% 1/32W	73 - 184
1601 7959	Resistor	61 - 170
1601 7959	Resistor	73 - 185
1601 7981	Resistor Array - 100K Ω±5%1/16W	61 - 171
1604 5210	Capacitor - 22μF ±20% 16V	79 - 145
1604 5211	Capacitor - 47μF ±20% 16V	79 - 146

Part No.	Description	Page and Index No.
1604 5212	Capacitor - 100μF ±20% 16V	79 - 147
1604 5213	Capacitor - 220μF ±20% 10V	79 - 148
1604 5525	Capacitor - 100μF ±20% 10V	73 - 186
1604 5581	Capacitor - 330μF ±20% 35V	73 - 187
1605 1124	Capacitor - 4.7μF +80 -20% 10V	61 - 172
1605 1137	Capacitor - 470pF ±10% 50V	73 - 188
1605 1148	Capacitor - 0.1μF +80-20% 50V	79 - 149
1605 1148	Capacitor - 0.1μF +80-20% 50V	73 - 189
1605 1163	Ceramic Capacitor - 560PF:±5%:50V	79 - 150
1605 1166	Capacitor - 0.015μF ±10% 50V	73 - 190
1605 1190	Resistor - 0.022μF ±10% 50V	79 - 151
1605 1190	Resistor - 0.022μF ±10% 50V	73 - 191
1605 1197	Capacitor - 6pF ±0.5pF 50V	61 - 173
1605 1199	Capacitor - 8pF ±0.5pF 50V	61 - 174
1605 1200	Capacitor - 10pF ±0.5pF 50V	79 - 152
1605 1200	Capacitor - 10pF ±0.5pF 50V	61 - 175
1605 1200	Capacitor - 10pF ±0.5pF 50V	73 - 192
1605 1201	Capacitor - 12pF ±5% 50V	73 - 193
1605 1204	Capacitor-pF50V	73 - 194
1605 1204	Capacitor-pF50V	61 - 176
1605 1205	Capacitor - 33pF ±5% 50V	73 - 195
1605 1206	Capacitor - 47pF ±5% 50V	61 - 177
1605 1206	Capacitor - 47pF ±5% 50V	73 - 196
1605 1207	Capacitor - 68pF ±5% 50V	61 - 178
1605 1208	Capacitor:100pF:±5%:50V	73 - 197
1605 1208	Capacitor:100pF:±5%:50V	61 - 179
1605 1209	Capacitor - 150pF ±5% 50V	73 - 198
1605 1210	Capacitor:180pF:±5%:50V	73 - 199
1605 1211	Capacitor - 220pF ±10% 50V	61 - 180
1605 1212	Capacitor - 470pF ±10% 50V	73 - 200
1605 1212	Capacitor - 470pF ±10% 50V	61 - 181
1605 1214	Capacitor - 1000pF ±10% 50V	73 - 201
1605 1214	Capacitor - 1000pF ±10% 50V	79 - 153
1605 1214	Capacitor - 1000pF ±10% 50V	61 - 182
1605 1216	Capacitor - 2200pF±10%50V	61 - 183

Part No.	Description	Page and Index No.
1605 1216	Capacitor - 2200pF±10%50V	73 - 202
1605 1216	Capacitor - 2200pF±10%50V	79 - 154
1605 1218	Capacitor:4700pF:±10%:25V	61 - 184
1605 1221	Capacitor - 0.1 μF+80-20%16V	61 - 185
1605 1221	Capacitor - 0.1 μF+80-20%16V	73 - 203
1605 1221	Capacitor - 0.1 μF+80-20%16V	79 - 155
1605 1225	Capacitor - 0.1μF ±10% 50V	79 - 156
1605 1240	Capacitor - 0.01μF ±10% 25V	61 - 186
1605 1240	Capacitor - 0.01μF ±10% 25V	73 - 204
1605 1250	Capacitor:0.068μF:±10%:10V	73 - 205
1605 1275	Capacitor:820pF:±5%:50V	79 - 157
1605 1281	Capacitor - 0.22μF ±10% 16V	79 - 158
1605 1284	Capacitor:1500pF:±10%:50V	61 - 187
1605 1285	Capacitor - 3300pF ±10% 50V	73 - 206
1605 1288	Capacitor:220pF:±5%:50V	73 - 207
1605 1289	Capacitor - 0.1μF ±10% 10V	61 - 188
1605 1289	Capacitor - 0.1μF ±10% 10V	73 - 208
1605 1289	Capacitor - 0.1μF ±10% 10V	79 - 159
1605 1293	Capacitor - 27pF±5%50V	61 - 189
1605 1293	Capacitor - 27pF±5%50V	73 - 209
1605 1294	Resistor - 1000pF ±5% 50V	73 - 210
1605 1295	Capacitor:10μF:+80-20%:10V	79 - 160
1605 1295	Capacitor:10μF:+80-20%:10V	73 - 211
1605 1295	Capacitor:10μF:+80-20%:10V	61 - 190
1605 1296	Capacitor - 330pF ±10% 50V	61 - 191
1605 1299	Capacitor:56pF:±5%:50V	79 - 161
1605 1300	Capacitor - 270pF ±5% 50V	73 - 212
1605 1300	Capacitor - 270pF ±5% 50V	79 - 162
1605 1301	Capacitor-6800pF ±10% 50V	61 - 192
1605 1303	Capacitor - 0.01μF +80-20% 50V	61 - 193
1605 1303	Capacitor - 0.01μF +80-20% 50V	73 - 213
1605 1306	Capacitor - 1μF ±10% 10V	61 - 194
1605 1306	Capacitor - 1μF ±10% 10V	79 - 163
1605 1307	Capacitor - 2.2μF +80-20% 11V	61 - 195
1605 1347	Capacitor - 1μF:+80-20%:16V	73 - 214

Part No.	Description	Page and Index No.
1605 1347	Capacitor - 1μF:+80-20%:16V	79 - 164
1605 1352	Resistor - 82pF ±5% 50V	73 - 215
1605 1353	Capacitor - 0.1μF ±10% 25V	79 - 165
1605 1358	Capacitor - 10μF ±10% 10V	61 - 196
1605 1376	Capacitor - 0.033μF - ±10%:25V	61 - 197
1605 1396	Capacitor - 0.33μF ±10% 50V	79 - 166
1605 1398	Capacitor - 1000pF ±20% AC250V	79 - 167
1605 1399	Capacitor - 3900pF ±5% 50V	79 - 168
1605 1400	Capacitor - 150pF ±10% AC250V	79 - 169
1605 1401	Capacitor - 0.01μF ±10% 250V	79 - 170
1605 1402	Capacitor - 1800pF ±5% 50V	79 - 171
1605 1406	Capacitor - 10μF ±10% 6.3V	61 - 198
1605 1417	Capacitor:47μF:+80-20%:10V	79 - 172
1605 1446	Resistor - 120pF ±5% 50V	79 - 173
1605 1447	Resistor - 470pF ±5% 50V	73 - 216
1605 1451	Capacitor:0.47μF:±10%:6.3V	61 - 199
1605 1452	Capacitor - 1μF ±10% 6.3V	73 - 217
1605 1452	Capacitor - 1μF ±10% 6.3V	61 - 200
1605 1460	Capacitor:0.022μF:±10%:250V	79 - 174
1605 1474	Capacitor - 47μF ±20% 6.3V	61 - 201
1605 1475	Resistor - 1μF ±10% 16V	73 - 218
1605 1475	Resistor - 1μF ±10% 16V	61 - 202
1605 1475	Resistor - 1μF ±10% 16V	79 - 175
1605 1539	Resistor - 1.5μF ±10% 16V	79 - 176
1605 1544	Capacitor:330pF:±5%:50V	79 - 177
1605 1563	Capacitor:10μF:±10%:10V	61 - 203
1605 1583	Capacitor - 0.1μF:±10%:16V	61 - 204
1605 1587	Capacitor:22μF:±20%:6.3V	61 - 205
1605 1602	Capacitor:3.3μF:±10%:6.3V	61 - 206
1605 1605	Capacitor - 4.7μF ±10% 10V	61 - 207
1605 1607	Capacitor:22μF:+80-20%:6.3V	61 - 208
1605 1681	Capacitor:22μF:±20%:10V	61 - 209
1605 1689	Capacitor:100μF:±20%:6.3V	61 - 210
1605 1710	Capacitor:10μF:±10%:25V	73 - 219
1605 1762	Ceramic Chip Capacitor:560PF:±5%:630V	79 - 178

Part No.	Description	Page and Index No.
1606 2319	Capacitor:100 $\mu$ F: $\pm$ 20%:6.3V	61 - 211
1607 0069	Filter:BL02RN2R1M2B	79 - 179
1607 0425	Coil: SBT-0260	79 - 180
1607 0824	Filter - BLM11A601SPB	79 - 181
1607 0824	Filter - BLM11A601SPB	73 - 220
1607 0973	Inductor - BLM11A121SPB	73 - 221
1607 1014	Emi Filter - BLM11P600SPB	61 - 212
1607 1051	Filter -FBMJ2125HS420	61 - 213
1607 1061	Filter - BLM11P300SPB	61 - 214
1607 1139	Ferrite Core:RFC-8	7 - 104
1607 1196	Inductor -220UH $\pm$ 20% 0.33A	79 - 182
1607 1199	Filter - BLM21PG600SN1B	61 - 215
1607 1284	Choke Coil - ST-110BV	79 - 183
1607 1342	Filter - BLM18BD121SN1B	73 - 222
1607 1556	Inductor:RLF7030-1R5N6R1	61 - 216
1607 1567	Filter:MPZ2012S101A	61 - 217
1607 1572	Filter:MPZ1608S101A	61 - 218
1607 1637	Coil:ACM2012-900-2P	61 - 219
1607 1715	Ferrite Core - RFC-5	7 - 105
1607 1827	Inductor:RLF7030-2R2M5R4	61 - 220
1607 1946	Inductor:VLF10040-2R2N7R1	61 - 221
1609 0005	Resistor:33 $\Omega$ : $\pm$ 5%:1/16W	73 - 223
1609 0005	Resistor:33 $\Omega$ : $\pm$ 5%:1/16W	79 - 184
1609 0005	Resistor:33 $\Omega$ : $\pm$ 5%:1/16W	61 - 222
1609 0006	Resistor:10K $\Omega$ : $\pm$ 5%:1/16W	73 - 224
1609 0006	Resistor:10K $\Omega$ : $\pm$ 5%:1/16W	79 - 185
1609 0006	Resistor:10K $\Omega$ : $\pm$ 5%:1/16W	61 - 223
1609 0007	Resistor - 68 $\Omega$ $\pm$ 5% 1/16W	61 - 224
1609 0007	Resistor - 68 $\Omega$ $\pm$ 5% 1/16W	73 - 225
1609 0011	Resistor:22 $\Omega$ : $\pm$ 5%:1/16W	61 - 225
1609 0016	Resistor:56 $\Omega$ : $\pm$ 5%:1/16W	61 - 226
1609 0019	Resistor:0 $\Omega$ :1608	73 - 226
1609 0020	Resistor:10 $\Omega$ : $\pm$ 5%:1/16W	61 - 227
1609 0026	Resistor - 47 $\Omega$ $\pm$ 5% 1/16W	61 - 228
1609 0026	Resistor - 47 $\Omega$ $\pm$ 5% 1/16W	79 - 186

Part No.	Description	Page and Index No.
1609 0027	Resistor - 100K $\Omega$ $\pm$ 5% 1/16W	73 - 227
1609 0027	Resistor - 100K $\Omega$ $\pm$ 5% 1/16W	61 - 229
1610 1900	Resistor:56K $\Omega$ : $\pm$ 0.5%:1/16W 1005	61 - 230
1610 2045	Resistor:115K $\Omega$ : $\pm$ 0.1%:1/10W:2125	61 - 231
1610 2046	Resistor:25.5K $\Omega$ : $\pm$ 0.1%:1/10W:2125	61 - 232
1610 2048	Resistor:51.1K $\Omega$ : $\pm$ 0.1%:1/10W:2125	61 - 233
1611 8510	Resistor 51 $\Omega$ $\pm$ 5% 1/4W	73 - 228
1632 0000	Resistor - 0 $\Omega$ 1/8W	73 - 229
1633 0000	Resistor - 0 $\Omega$ 1/10W	61 - 234
1633 0000	Resistor - 0 $\Omega$ 1/10W	73 - 230
1634 0000	Resistor - 0 $\Omega$ 1/16W	61 - 235
1634 0000	Resistor - 0 $\Omega$ 1/16W	73 - 231
1634 0000	Resistor - 0 $\Omega$ 1/16W	79 - 187
1634 0000	Resistor - 0 $\Omega$ 1/16W	79 - 188
1640 3221	Capacitor:220 $\mu$ F: $\pm$ 20%:35V	79 - 189
1640 5470	Capacitor - 47 $\mu$ F $\pm$ 20% 50V	73 - 232
1642 1470	Capacitor 47 $\mu$ F $\pm$ 20% 16V	73 - 233
1642 2470	Capacitor - 47 $\mu$ F $\pm$ 20% 25V	73 - 234
1642 3330	Capacitor - 33 $\mu$ F $\pm$ 20%-35V	73 - 235
1642 3470	Capacitor - 47 $\mu$ F $\pm$ 20% 35V	73 - 236
1642 5100	Capacitor - 10 $\mu$ F $\pm$ 20% 50V	73 - 237
1642 5220	Capacitor - 22 $\mu$ F $\pm$ 20% 50V	73 - 238
1650 2472	Chip Resistor-4.7K	73 - 239
1650 3101	Resistor:100 $\Omega$ : $\pm$ 5%:1/8W:2125	73 - 240
1650 3102	Resistor:1K $\Omega$ : $\pm$ 5%:1/8W:2125	73 - 241
1650 3332	Resistor:3.3K $\Omega$ : $\pm$ 5%:1/8W	73 - 242
1650 4100	Resistor - 10 $\Omega$ $\pm$ 5% 1/10W	79 - 190
1650 4101	Resistor - 100 $\Omega$ $\pm$ 5%1/10W	73 - 243
1650 4101	Resistor - 100 $\Omega$ $\pm$ 5%1/10W	79 - 191
1650 4101	Resistor - 100 $\Omega$ $\pm$ 5%1/10W	61 - 236
1650 4102	Resistor - 1K $\Omega$ $\pm$ 5% 1/10W	73 - 244
1650 4102	Resistor - 1K $\Omega$ $\pm$ 5% 1/10W	79 - 192
1650 4103	Resistor - 10K $\Omega$ $\pm$ 5% 1/10W	73 - 245
1650 4103	Resistor - 10K $\Omega$ $\pm$ 5% 1/10W	79 - 193
1650 4104	Resistor - 100K $\Omega$ $\pm$ 5%1/10W	79 - 194

Part No.	Description	Page and Index No.
1650 4104	Resistor - 100K $\Omega$ $\pm$ 5%1/10W	73 - 246
1650 4106	Resistor - 10M $\Omega$ $\pm$ 5%1/10W	79 - 195
1650 4121	Resistor - 120 $\Omega$ $\pm$ 5%1/10W	79 - 196
1650 4124	Resistor:120K $\Omega$ : $\pm$ 5%:1/10W	79 - 197
1650 4151	Resistor:150 $\Omega$ : $\pm$ 5%:1/10W:1608	79 - 198
1650 4201	Resistor - 200 $\Omega$ $\pm$ 5%1/10W	73 - 247
1650 4204	Resistor - 200K $\Omega$ $\pm$ 5%1/10W	79 - 199
1650 4220	Chip Resistor - 22 $\Omega$ $\pm$ 5% 1/10W	73 - 248
1650 4220	Chip Resistor - 22 $\Omega$ $\pm$ 5% 1/10W	79 - 200
1650 4222	Resistor - 2.2K $\Omega$ $\pm$ 5%1/10W	79 - 201
1650 4223	Resistor - 22K $\Omega$ $\pm$ 5%1/10W	79 - 202
1650 4224	Resistor:220K $\Omega$ : $\pm$ 5%:1/10W	79 - 203
1650 4304	Resistor:300K $\Omega$ : $\pm$ 5%:1/10W	79 - 204
1650 4330	Chip Resistor - 33 $\Omega$ $\pm$ 5% 1/10W	73 - 249
1650 4330	Chip Resistor - 33 $\Omega$ $\pm$ 5% 1/10W	79 - 205
1650 4331	Resistor - 330 $\Omega$ $\pm$ 5%1/10W	79 - 206
1650 4333	Resistor:33K $\Omega$ : $\pm$ 5%:1/10W:1608	79 - 207
1650 4334	Resistor - 330K $\Omega$ $\pm$ 5%1/10W	79 - 208
1650 4470	Resistor - 47 $\Omega$ $\pm$ 5%1/10W	79 - 209
1650 4470	Resistor - 47 $\Omega$ $\pm$ 5%1/10W	61 - 237
1650 4472	Resistor - 4.7K $\Omega$ $\pm$ 5% 1/10W	79 - 210
1650 4472	Resistor - 4.7K $\Omega$ $\pm$ 5% 1/10W	73 - 250
1650 4472	Resistor - 4.7K $\Omega$ $\pm$ 5% 1/10W	61 - 238
1650 4473	Resistor - 47K $\Omega$ $\pm$ 5%1/10W	73 - 251
1650 4474	Chip Resistor:470K $\Omega$ : $\pm$ 5%:1/10W	79 - 211
1650 4511	Resistor - 510 $\Omega$ $\pm$ 5%1/10W	79 - 212
1650 4561	Resistor - 560 $\Omega$ $\pm$ 5% 1/10W	79 - 213
1650 4562	Resistor - 5.6K $\Omega$ $\pm$ 5% 1/10W	79 - 214
1650 4563	Resistor - 56K $\Omega$ $\pm$ 5%1/10W	79 - 215
1650 4680	Resistor - 68 $\Omega$ $\pm$ 5%1/10W	79 - 216
1650 4680	Resistor - 68 $\Omega$ $\pm$ 5%1/10W	73 - 252
1650 4750	Resistor - 75 $\Omega$ $\pm$ 5%1/10W	73 - 253
1650 4912	Resistor - 9.1K $\Omega$ $\pm$ 5%1/10W	79 - 217
1650 5101	Chip Resistor - 100 $\Omega$ $\pm$ 5%1/16W	61 - 239
1650 5101	Chip Resistor - 100 $\Omega$ $\pm$ 5%1/16W	73 - 254

Part No.	Description	Page and Index No.
1650 5102	Chip Resistor - 1K $\Omega$ $\pm$ 5%1/16W	61 - 240
1650 5102	Chip Resistor - 1K $\Omega$ $\pm$ 5%1/16W	73 - 255
1650 5103	Chip Resistor - 10K $\Omega$ $\pm$ 5%1/16W	61 - 241
1650 5103	Chip Resistor - 10K $\Omega$ $\pm$ 5%1/16W	73 - 257
1650 5103	Chip Resistor - 10K $\Omega$ $\pm$ 5%1/16W	73 - 256
1650 5104	Chip Resistor - 100K $\Omega$ $\pm$ 5%1/16W	73 - 258
1650 5104	Chip Resistor - 100K $\Omega$ $\pm$ 5%1/16W	61 - 242
1650 5105	Resistor:1M $\Omega$ : $\pm$ 5%:1/16W:1005	73 - 259
1650 5109	Chip Resistor 1 $\Omega$ $\pm$ 5% 1/16W	61 - 243
1650 5122	Chip Resistor - 1.2K $\Omega$ $\pm$ 5%1/16W	61 - 244
1650 5122	Chip Resistor - 1.2K $\Omega$ $\pm$ 5%1/16W	73 - 260
1650 5123	Resistor - 12K $\Omega$ $\pm$ 5% 1/16W	73 - 261
1650 5152	Chip Resistor:1.5K $\Omega$ : $\pm$ 5%:1/16W	61 - 245
1650 5153	Chip Resistor - 15K $\Omega$ $\pm$ 5% 1/16W	73 - 262
1650 5163	Resistor - 16K $\Omega$ $\pm$ 5% 1/16W	73 - 263
1650 5201	Resistor - 200 $\Omega$ $\pm$ 5% 1/16W	73 - 264
1650 5202	Chip Resistor:2K $\Omega$ : $\pm$ 5%:1/16W	73 - 265
1650 5203	Resistor - 20K $\Omega$ $\pm$ 5% 1/16W	61 - 246
1650 5203	Resistor - 20K $\Omega$ $\pm$ 5% 1/16W	73 - 266
1650 5220	Resistor - 22 $\Omega$ $\pm$ 5% 1/16W	61 - 247
1650 5221	Chip Resistor - 220 $\Omega$ $\pm$ 5%1/16W	73 - 267
1650 5221	Chip Resistor - 220 $\Omega$ $\pm$ 5%1/16W	61 - 248
1650 5222	Resistor - 2.2K $\Omega$ $\pm$ 5% 1/16W	73 - 268
1650 5222	Resistor - 2.2K $\Omega$ $\pm$ 5% 1/16W	61 - 249
1650 5243	Resistor - 24K $\Omega$ $\pm$ 5% 1/16W	73 - 269
1650 5244	Resistor:240K $\Omega$ : $\pm$ 5%:1/16W:1005	73 - 270
1650 5272	Chip Resistor:2.7K $\Omega$ : $\pm$ 5%:1/16W	61 - 250
1650 5300	Resistor - 30 $\Omega$ $\pm$ 5% 1/16W	73 - 271
1650 5330	Chip Resistor - 33 $\Omega$ $\pm$ 5%1/16W	73 - 272
1650 5330	Chip Resistor - 33 $\Omega$ $\pm$ 5%1/16W	61 - 251
1650 5331	Resistor - 330 $\Omega$ $\pm$ 5% 1/16W	73 - 273
1650 5332	Resistor - 3.3K $\Omega$ $\pm$ 5% 1/16W	73 - 274
1650 5470	Chip Resistor 47 $\Omega$ $\pm$ 5% 1/16W	61 - 252
1650 5470	Chip Resistor 47 $\Omega$ $\pm$ 5% 1/16W	73 - 275
1650 5471	Chip Resistor - 470 $\Omega$ -5% 1/16W	73 - 276



Part No.	Description	Page and Index No.
1650 5472	Chip Resistor:4.7KΩ:±5%:1/16W	73 - 277
1650 5472	Chip Resistor:4.7KΩ:±5%:1/16W	61 - 253
1650 5473	Chip Resistor - 47KΩ ±5% 1/16W	73 - 278
1650 5560	Chip Resistor 56Ω ±5% 1/16W	61 - 254
1650 5621	Chip Resistor 620Ω ±5% 1/16W	61 - 255
1650 5624	Resistor - 620KΩ ±5% 1/16W	73 - 279
1650 5680	Resistor - 68Ω ±5% 1/16W	73 - 280
1650 5683	Chip Resistor 68KΩ ±5% 1/16W	61 - 256
1650 5750	Chip Resistor:75Ω:±5%:1/16W	73 - 281
1650 5751	Resistor:750 Ω:±5%:1/16W:1005	73 - 282
1650 5821	Resistor - 820 Ω ±5% 1/16W	73 - 283
1650 5822	Chip Resistor:8.2KΩ:±5%:1/16W	61 - 257
1650 5913	Resistor - 91K Ω ±5% 1/16W	73 - 284
1652 5361	Resistor - 5.36KΩ±1%1/4W	79 - 218
1654 1001	Resistor - 1KΩ±1%1/10W	73 - 285
1654 1002	Resistor - 10KΩ±5%1/10W	61 - 258
1654 1003	Resistor - 100KΩ±1%1/10W	79 - 219
1654 1004	Chip Resistor - 1MΩ ±1% 1/10W	61 - 259
1654 1009	Resistor - 10Ω±1% 1/10W	61 - 260
1654 1102	Resistor:11K Ω:±1%:1/10W:1608	73 - 286
1654 1200	Resistor - 120 Ω ±1% 1/10W	79 - 220
1654 1502	Resistor - 15KΩ±1% 1/10W	61 - 261
1654 1509	Chip Resistor:15Ω:±1%:1/10W	61 - 262
1654 1809	Resistor:18 Ω:±1%:1/10W:1608	61 - 263
1654 2002	Resistor - 20KΩ±1%1/10W	79 - 221
1654 2200	Resistor:220Ω:±1%:1/10W:1608	79 - 222
1654 2209	Resistor - 22Ω±1% 1/10W	61 - 264
1654 2430	Resistor - 243Ω±1% 1/10W	79 - 223
1654 3002	Resistor - 30KΩ±1%1/10W	61 - 265
1654 3309	Resistor - 33Ω±1% 1/10W	61 - 266
1654 3609	Resistor - 36Ω±1%1/10W	79 - 224
1654 4301	Resistor:4.3K Ω:±1%:1/10W:1608	79 - 225
1654 4991	Resistor:4.99K Ω:±1%:1/10W:1608	73 - 287
1654 6800	Resistor - 680 Ω ±1% 1/10W	61 - 267
1654 8661	Resistor - 8.66K Ω ±1% 1/10W	73 - 288

Part No.	Description	Page and Index No.
1654 9311	Resistor - 9.31K Ω ±1% 1/10W	79 - 226
1655 0000	Chip Resistor - 0Ω±0%1/16W	73 - 289
1655 0000	Chip Resistor - 0Ω±0%1/16W	61 - 268
1655 1000	Chip Resistor:100Ω:±1%:1/16W	73 - 290
1655 1000	Chip Resistor:100Ω:±1%:1/16W	61 - 269
1655 1002	Chip Resistor - 10KΩ±1%1/16W	61 - 270
1655 1002	Chip Resistor - 10KΩ±1%1/16W	73 - 291
1655 1003	Chip Resistor - 100KΩ±1%1/16W	61 - 271
1655 1003	Chip Resistor - 100KΩ±1%1/16W	73 - 292
1655 1009	Resistor - 10Ω ±1% 1/16W	61 - 272
1655 1021	Resistor - 1.02K Ω ±1% 1/16W	73 - 293
1655 1109	Resistor:11 Ω:±1%:1/16W:1005	61 - 273
1655 1132	Resistor:11.3K Ω:±1%:1/16W:1005	61 - 274
1655 1200	Resistor - 120 Ω ±1% 1/16W	61 - 275
1655 1242	Resistor:12.4K Ω:±1%:1/16W:1005	61 - 276
1655 1501	Chip Resistor 1.5KΩ ±1% 1/16W	61 - 277
1655 1502	Resistor - 15KΩ ±1% 1/16W	61 - 278
1655 1601	Resistor:1.6K Ω:±1%:1/16W:1005	61 - 279
1655 1651	Resistor:1.65K Ω:±1%:1/16W:1005	61 - 280
1655 1801	Resistor:1.8K Ω:±1%:1/16W:1005	73 - 294
1655 2100	Resistor - 210 Ω ±1% 1/16W	73 - 295
1655 2200	Resistor - 220Ω ±1% 1/16W	61 - 281
1655 2201	Resistor:2.2K Ω:±1%:1/16W:1005	61 - 282
1655 2209	Resistor - 22Ω ±1% 1/16W	61 - 283
1655 2551	Resistor - 2.55K Ω ±1% 1/16W	73 - 296
1655 2552	Resistor:25.5K Ω:±1%:1/16W:1005	61 - 284
1655 3160	Resistor - 316 Ω ±1% 1/16W	73 - 297
1655 3301	Resistor:3.3K Ω:±1%:1/16W:1005	73 - 298
1655 3309	Resistor - 33Ω ±1% 1/16W	61 - 285
1655 3740	Resistor:374 Ω:±1%:1/16W:1005	73 - 299
1655 3909	Resistor 39Ω ±1% 1/16W	61 - 286
1655 4700	Resistor - 470Ω ±1% 1/16W	61 - 287
1655 4701	Chip Resistor - 4.7KΩ±1%1/16W	61 - 288
1655 4702	Chip Resistor:47KΩ:±1%:1/16W:1005	61 - 289
1655 4709	Resistor - 47Ω ±1% 1/16W	61 - 290

Part No.	Description	Page and Index No.
1655 4709	Resistor - 47Ω ±1% 1/16W	73 - 300
1655 4871	Resistor:4.87K Ω:±1%:1/16W:1005	61 - 291
1655 4999	Resistor - 49.9Ω ±1% 1/16W	61 - 292
1655 5103	Resistor:510K Ω:±1%:1/16W:1005	61 - 293
1655 5112	Resistor:51.1K Ω:±1%:1/16W:1005	61 - 294
1655 5600	Resistor - 560Ω ±1% 1/16W	61 - 295
1655 5601	Resistor - 5.6KΩ ±1% 1/16W	61 - 296
1655 5609	Resistor - 56Ω ±1% 1/16W	61 - 297
1655 6809	Chip Resistor - 68Ω±1%1/16W	73 - 301
1655 6809	Chip Resistor - 68Ω±1%1/16W	61 - 298
1655 6981	Resistor - 6.98K Ω ±1% 1/16W	73 - 302
1655 7509	Resistor:75 Ω:±1%:1/16W:1005	73 - 303
1655 9101	Resistor - 9.1K Ω ±1% 1/16W	73 - 304
1655 9101	Resistor - 9.1K Ω ±1% 1/16W	61 - 299
1655 9310	Resistor - 931 Ω ±1% 1/16W	73 - 305
1660 0100	Capacitor:10pF:±0.5PF:50V	73 - 306
1660 2101	Capacitor - 100pF - ±10% - 50V	61 - 300
1660 2120	Capacitor - 12 pF ±5% 50V	73 - 307
1660 2120	Capacitor - 12 pF ±5% 50V	79 - 227
1660 2150	Capacitor - 15pF ±5% 50V	79 - 228
1660 2180	Capacitor:18pF:±5%:50V	79 - 229
1660 2270	Capacitor - 27pF ±20% 35V	73 - 308
1660 2391	Capacitor - 390pF ±5% 50V	73 - 309
1660 2470	Capacitor - 47pF ±5% 50V	73 - 310
1660 2471	Capacitor - 470pF - ±5% - 50V	61 - 301
1660 2471	Capacitor - 470pF - ±5% - 50V	79 - 230
1660 4103	Capacitor - 10000pF - ±10% - 50V	61 - 302
1660 4103	Capacitor - 10000pF - ±10% - 50V	79 - 231
1660 4682	Capacitor:6800pF:±10%:50V	79 - 232
1660 6103	Capacitor - 10000pF - +80%-20%50V	73 - 311
1660 6473	Capacitor - 47000pF +80 -20% 50V	73 - 312
1660 8104	Capacitor - 0.1μF ±20% 25V	61 - 303
1660 8104	Capacitor - 0.1μF ±20% 25V	73 - 313
1902 0070	SRAM - 1M:X8:3.3V:G2	73 - 314
1906 0117	Flash Memory:S29GL032A90TFIR20	61 - 304

Part No.	Description	Page and Index No.
1906 0120	NAND Flash:1G:X8:30NS:3.3V:2K	61 - 305
1906 0130	Flash Memory:S29GL032N90TFI040:32M	73 - 315
1907 0031	SDRAM - 128M 2MX16X4 133MHZ G3	79 - 233
1907 0077	DDR512M:8Mx16x4:333MHz:CL2.5G3	61 - 306

