

Model K-C3.1a
(D096)

PARTS CATALOG

First edition, January 2010

Ricoh Company, LTD.

Model K-C3.1a (D096)

PARTS CATALOG

This catalog gives the numbers and names of parts on this machine.

Model K-C3.1a	(D096)
DF2000	(B813)
Platen Cover Type 1080	(B406)

Model K-C3.1a (D096)

Model K-C3.1a (D096)

PARTS CATALOG

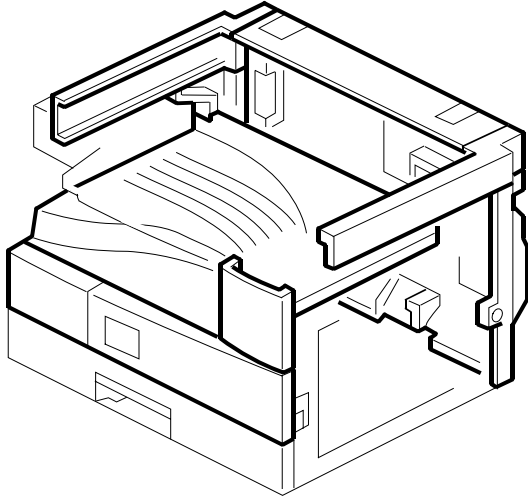
This catalog gives the numbers and names of parts on this machine.

Location Of Unit.....	2	18.Electrical Section 1 (D096)	40
1.Exterior (D096)	6	19.Electrical Section 2 (D096)	42
2.Operation Panel (D096).....	8	20.Frame Section (D096).....	44
3.Optics Section 1 (D096).....	10	21.BICU Board (D096).....	46
4.Optics Section 2 (D096).....	12	22.Decal And Document (D096).....	58
5.Optics Section 3 (D096).....	14	23.Special Tools (D096)	60
6.Laser Unit (D096)	16	Parts Index.....	6
7.By-pass Feed Section (D096)	18		
8.Paper Cassette (D096).....	20		
9.Paper Resistration (D096)	22		
10.1st Paper Feed Section (D096)	24		
11.Vertical Transport (D096)	26		
12.PCU 1 (D096)	28		
13.PCU 2 (D096)	30		
14.Toner Supply Unit (D096).....	32		
15.Fusing Unit (D096).....	34		
16.Paper Exit Section (D096).....	36		
17.Drive Section (D096)	38		

January 27, 2010

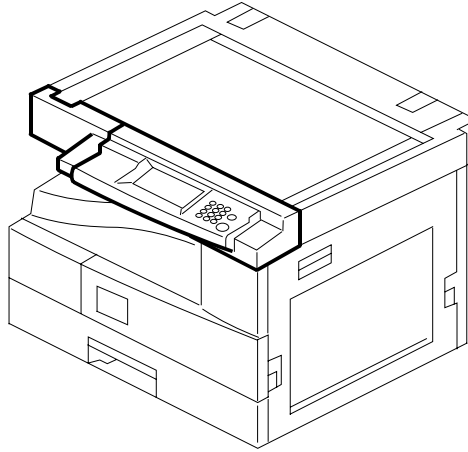
LOCATIONS OF UNITS

1. Exterior (D096)



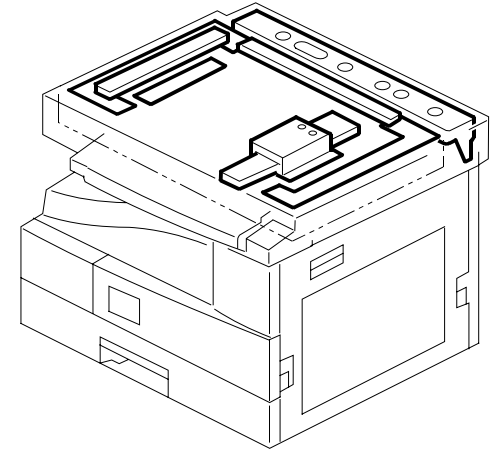
See Page 9

2. Operation Panel (D096)



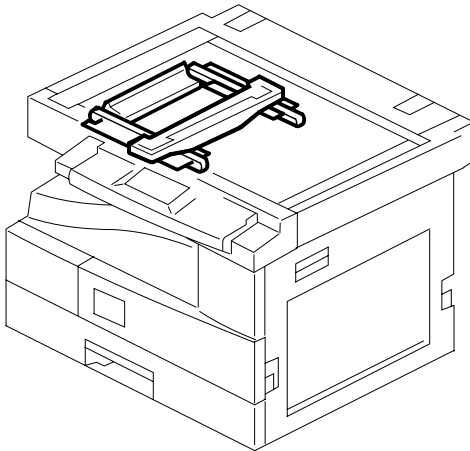
See Page 13

3. Optics Section 1 (D096)



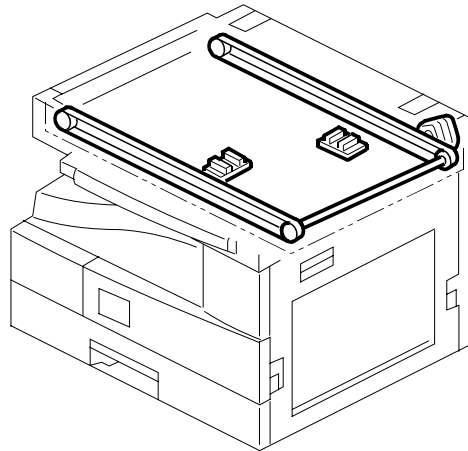
See Page 15

4. Optics Section 2 (D096)



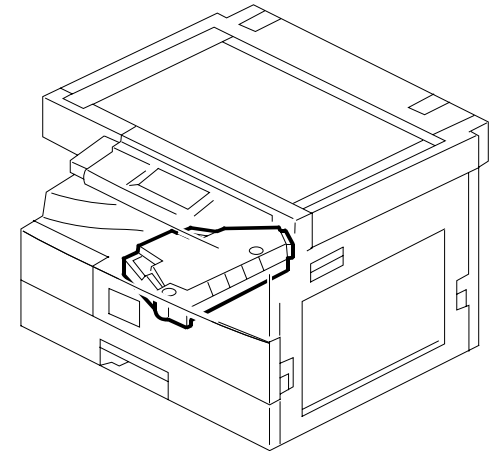
See Page 17

5. Optics Section 3 (D096)



See Page 19

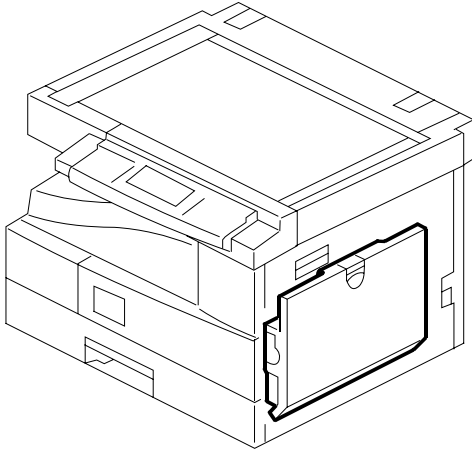
6. Laser Unit (D096)



See Page 21

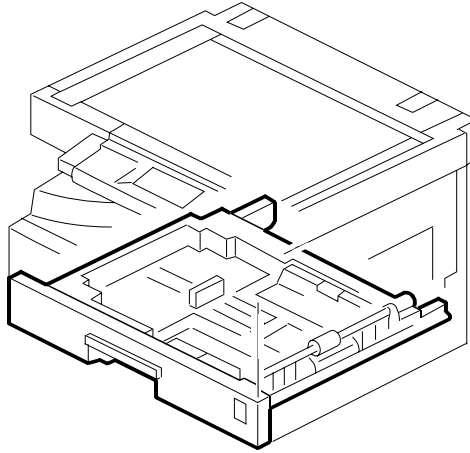
LOCATIONS OF UNITS

7. By-pass Feed Section (D096)



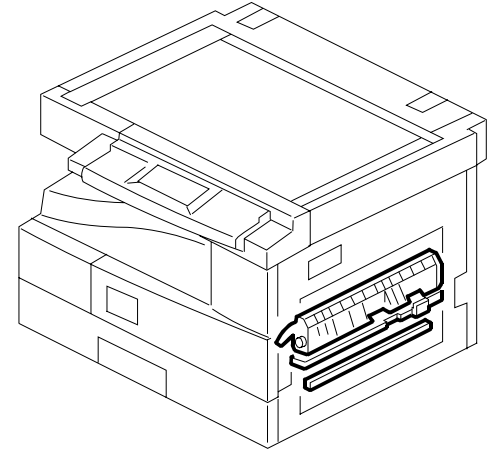
See Page 23

8. Paper Cassette (D096)



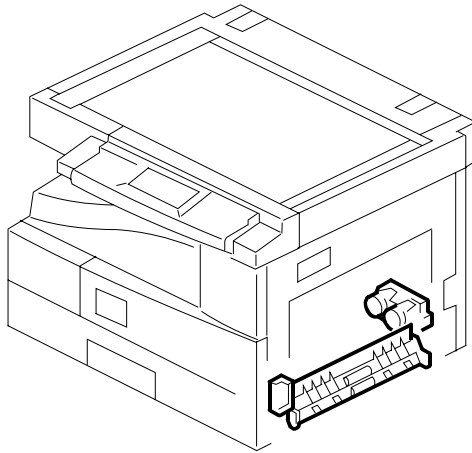
See Page 25

9. Paper Registration (D096)



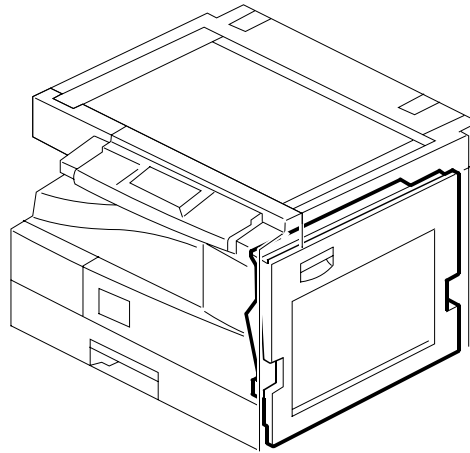
See Page 27

10. 1st Paper Feed Section (D096)



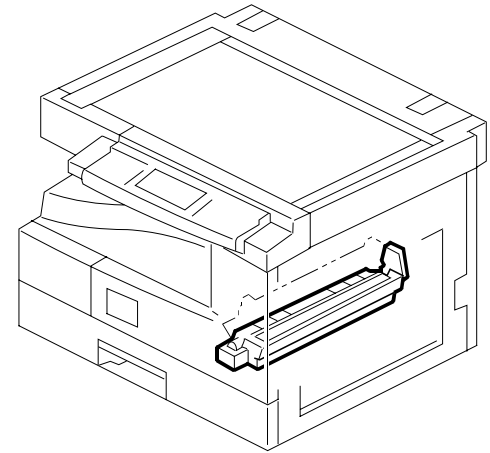
See Page 29

11. Vertical Transport (D096)



See Page 33

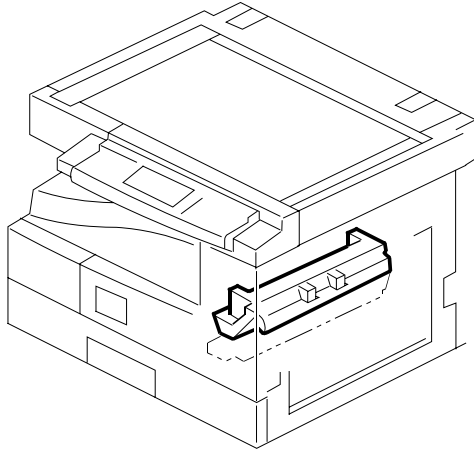
12. PCU 1 (D096)



See Page 35

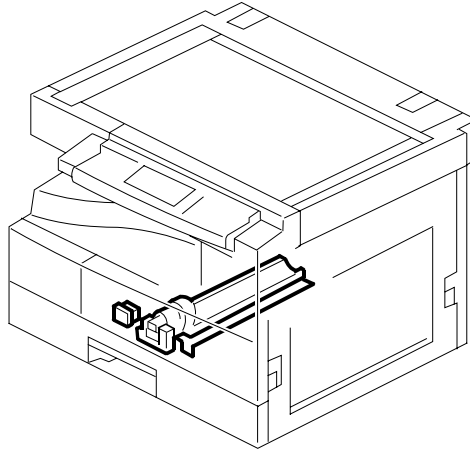
LOCATIONS OF UNITS

13. PCU 2 (D096)



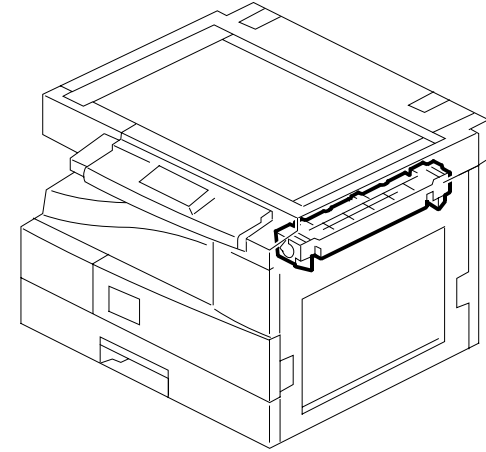
See Page 37

14. Toner Supply Unit (D096)



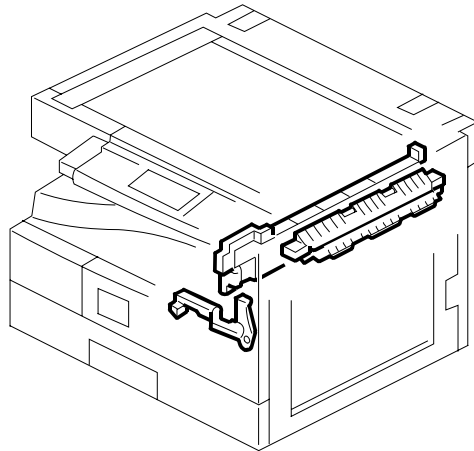
See Page 39

15. Fusing Unit (D096)



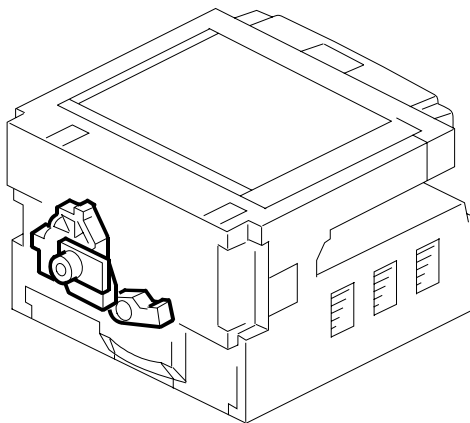
See Page 41

16. Paper Exit Section (D096)



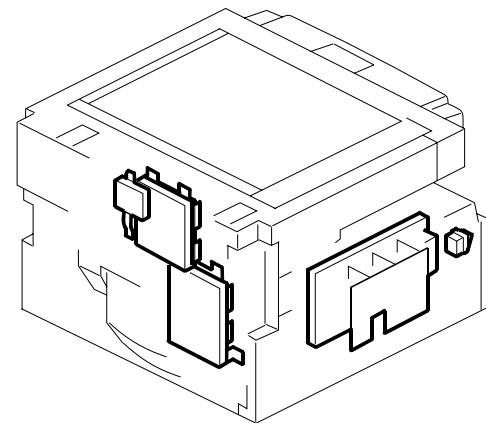
See Page 43

17. Drive Section (D096)



See Page 51

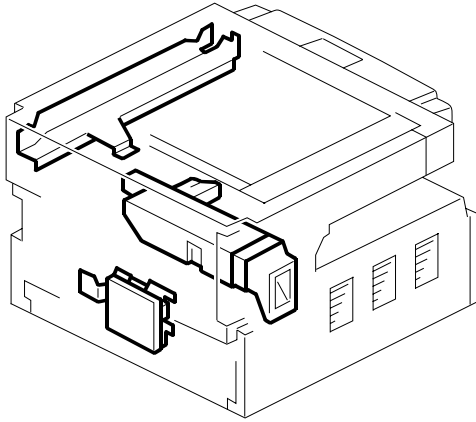
18. Electrical Section 1 (D096)



See Page 53

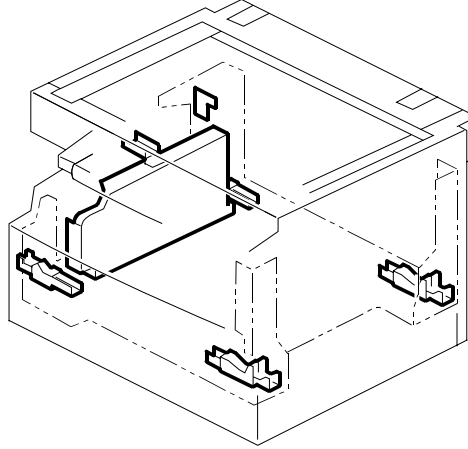
LOCATIONS OF UNITS

19. Electrical Section 2 (D096)



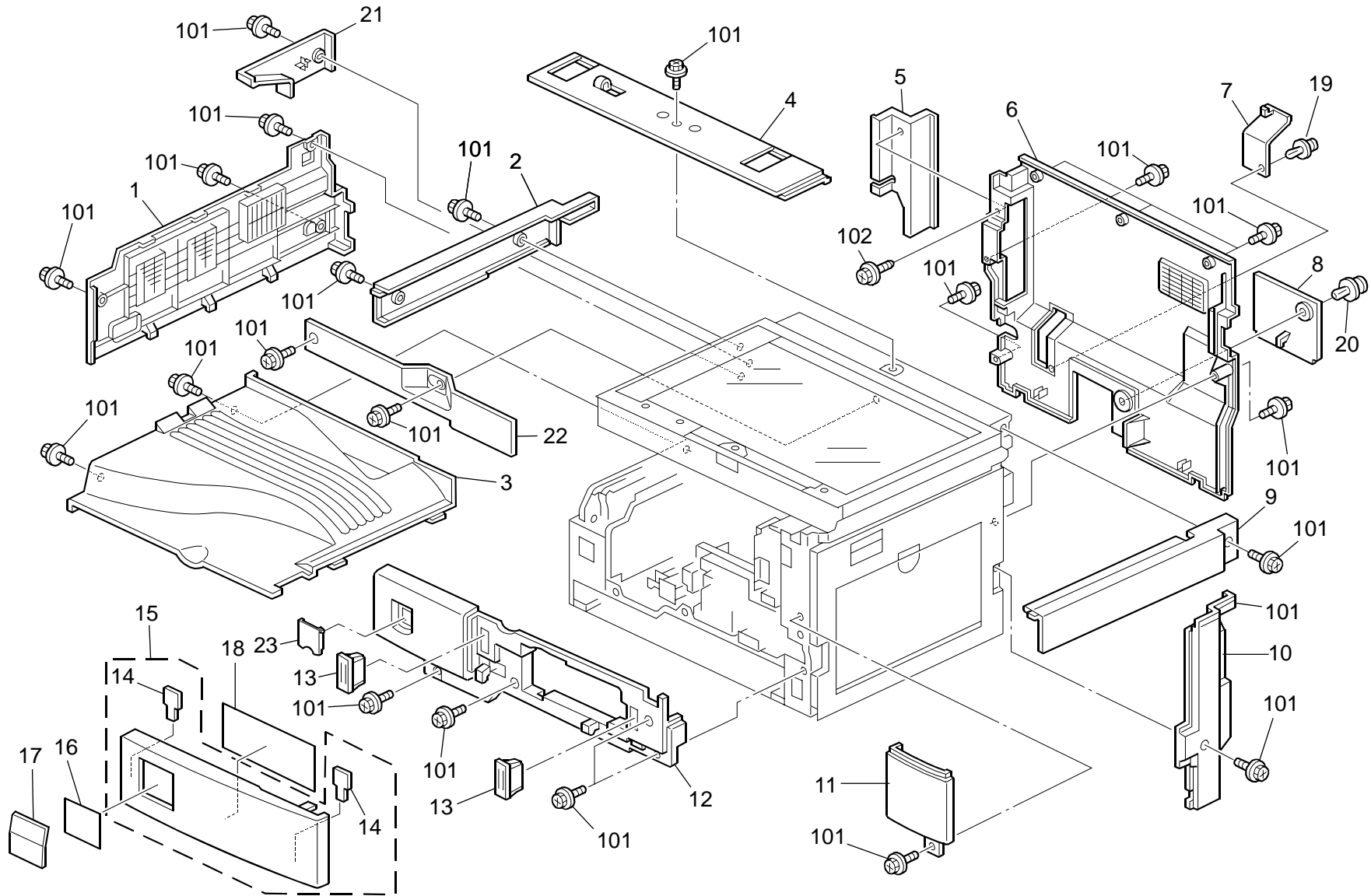
See Page 55

20. Frame Section (D096)



See Page 57

1.Exterior (D096)

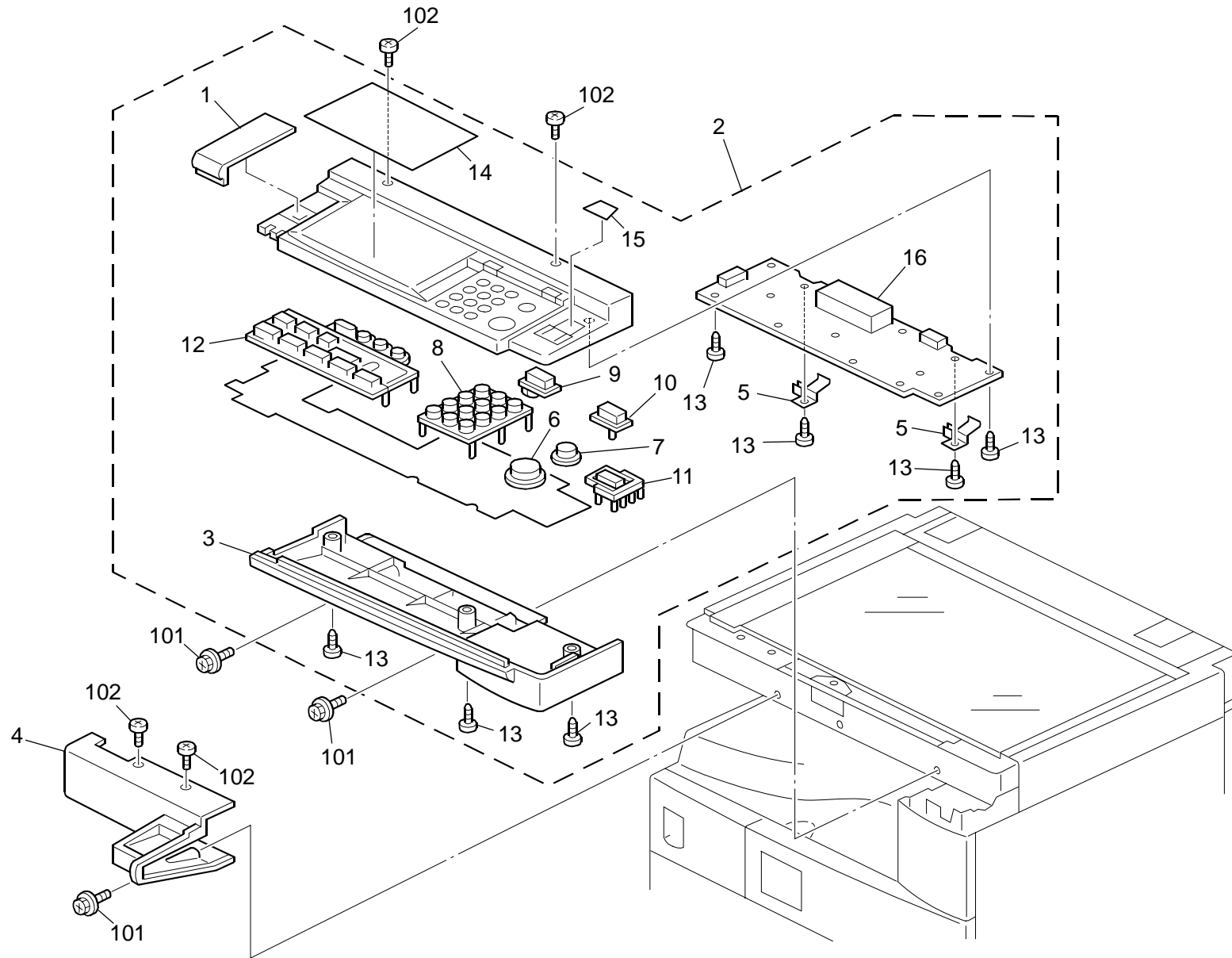


1.Exterior (D096)

Index No.	Part No.	Description	Q'ty Per Assembly
1	B121 1316	Left Cover NA	1
1	B121 1315	Left Cover (Except for NA)	1
2	B276 1332	Cover:Scanner:Left:NA	1
2	B039 1302	Left Scanner Cover (Except for NA)	1
3	D100 1355	Cover:Exit:C3-DOM	1
4	B276 1333	Cover:Scanner:Rear:NA	1
4	B039 1303	Rear Scanner Cover (Except for NA)	1
5	B121 1314	Application Cap	1
6	B276 1337	Cover:Rear:NA	1
6	B121 1336	Rear Cover B (Except for NA)	1
7	B121 1313	IC Card Cap	1
8	B121 1348	Paper Bank Cap	1
9	B276 1335	Right Scanner Cover	1
9	B039 1304	Right Scanner Cover (Except for NA)	1
10	B276 1347	Right Rear Cover	1
10	B039 1317	Rear Cover (Except for NA)	1
11	B276 1339	Cover - Front Right Upper	1
11	B039 1309	Front Right Upper Cover	1
12	B276 1351	Cover:Front:NA	1
12	B243 1350	Cover - Front (Except for NA)	1
13	B259 1367	Cover Magnet	2
14	B039 1361	Magnet Catch	2
15	B243 1254	Door - Front NA	1
15	B243 1253	Door - Front (Except for NA)	1
16	D096 7410	Model Name Plate:GES (NA/ASIA)	1
16	D096 7413	Model Name Plate:LAN	1
16	D096 7420	Model Name Plate:GES (EU)	1
16	D096 7421	Model Name Plate:NSA (EU)	1
16	D096 7422	Model Name Plate:REX (EU)	1
16	D096 7426	Model Name Plate:INF (EU)	1
16	D096 7427	Model Name Plate:RIC	1
17	B132 1531	Panel:Logo	1
18	B039 1365	Sheet - Operation Instructions	1
19	B039 1367	Rivet - M6	2
20	B039 1364	Rivet - M7	1

Index No.	Part No.	Description	Q'ty Per Assembly
21	B121 1322	Left Upper Cover B	1
22	B276 1368	Cover:Exit:Rear:B:NA	1
22	B121 1367	Rear Exit Cover B (Except for NA)	1
23	B039 1362	Main Switch Cover	1
101	0451 3008N	Tapping Screw - M3x8	
102	0450 4008N	Tapping Screw - M4x8	

2.Operation Panel (D096)

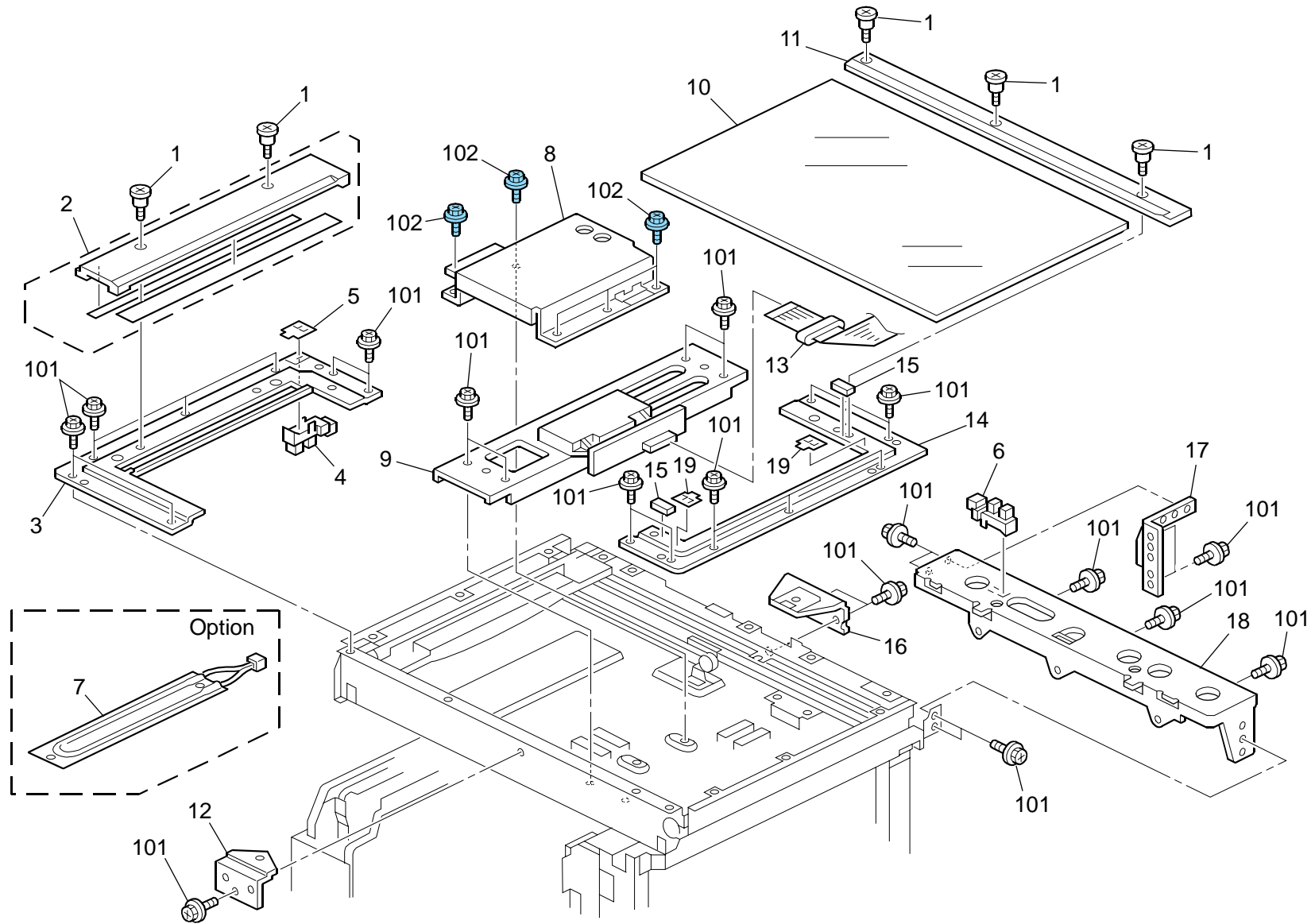


2.Operation Panel (D096)

Index No.	Part No.	Description	Q'ty Per Assembly
1	B243 1461	Cover:Printer:Basic	1
2	B245 1421	Operation Panel Unit (NA/ASIA)	1
2	B245 1422	Operation Panel Unit (TWN)	1
2	D096 1422	Operation Sub-unit:Base:A:EU:Ass'y	1
3	B276 1452	Cover:Operation Sub-unit:Lower	1
4	B243 1425	Cover - Operation Panel	1
5	B039 1469	Ground Plate	2
6	B229 1453	Keytop - Start	1
7	B229 1454	Keytop - Clear/stop	1
8	B229 1475	Keytop - 10key	1
9	B229 1525	Keytop - Initial	1
10	B229 1537	Keytop - Clear Modes	1
11	B243 1458	Keytop - Power Source	1
12	B243 1459	Keytop - Cursor	1
13	B259 1499	Tapping Screw - M3x8	7
14	B245 1472	Sheet:Operation Panel:A:NA/ASIA	1
14	B245 1473	Sheet:Operation Panel:A:EU/TWN	1
15	B229 1521	Sheet:Power Source:NA/ASIA	1
15	B229 1522	Sheet:Power Source:EU/TWN	1
16	B245 1487	PCB Operation Panel	1

Index No.	Part No.	Description	Q'ty Per Assembly
101	0451 3008N	Tapping Screw - M3x8	
102	0353 0050N	Screw-M3x5	

3.Optics Section 1 (D096)

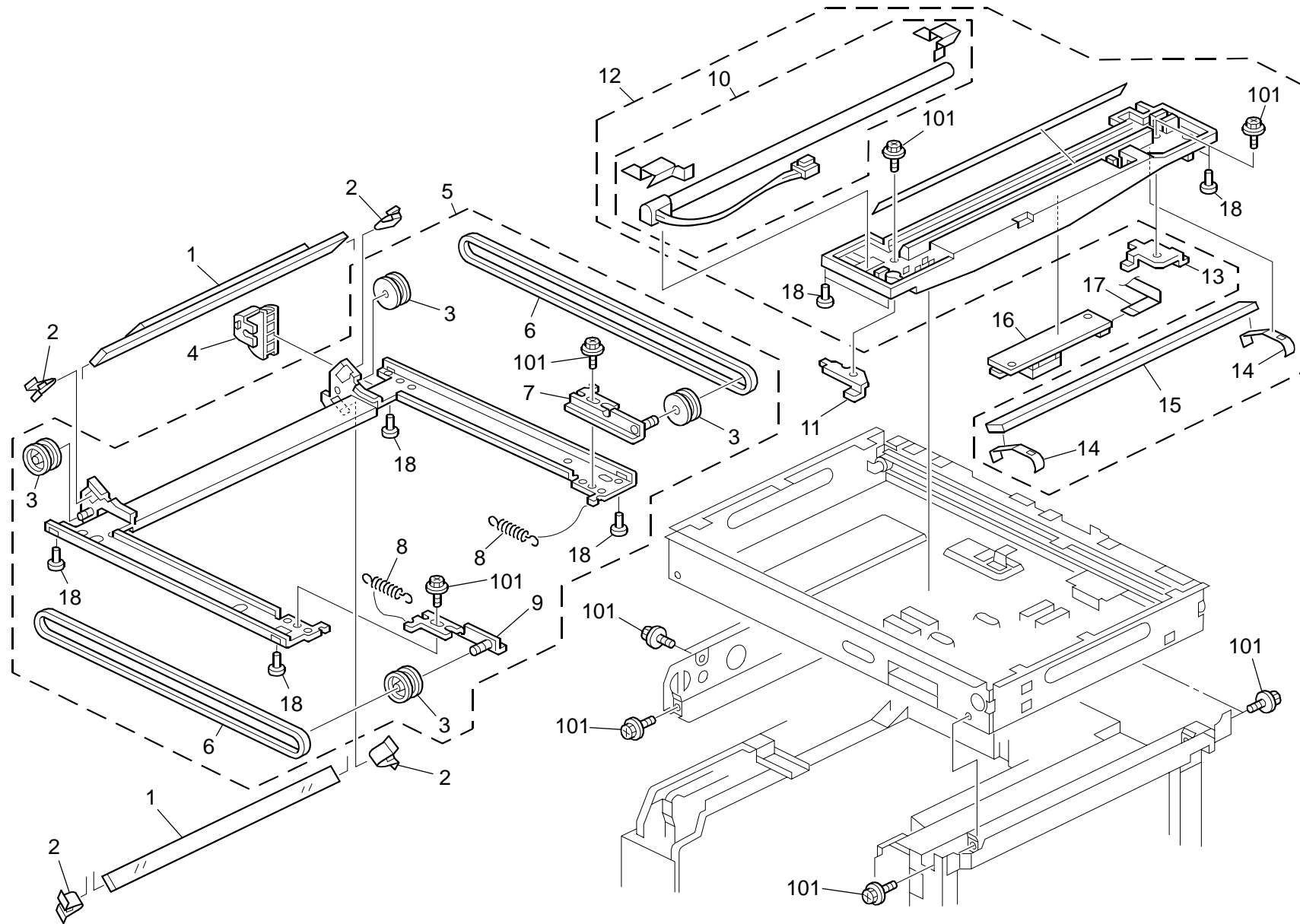


3.Optics Section 1 (D096)

Index No.	Part No.	Description	Q'ty Per Assembly
1	B390 1759	Shaft:Scale	5
2	B268 1749	Scale - Left	1
3	B039 1710	Left Scanner Bracket	1
4	AW02 0156	Photointerruptor:EE-SX4235A-P2	1
5	A193 1705	Sheet:Photointerruptor	1
6	GW02 0020	Photointerruptor:LG248NI1	2
7	A250 1821	Heater - 9W (120V)	1
7	A250 1822	Heater - 9W (220V)	1
8	B276 1808	Inner Cover:Lens	1
9	B259 1812	Lens Unit	1
10	A250 1752	Exposure Glass	1
11	B268 1751	Scale - Inner Back	1
12	B039 1666	Bracket - Operation Panel	1
13	B243 1804	Harness - FFC	1
14	B039 1712	Right Scanner Bracket	1
15	5442 1924	Exposure Glass Cushion	2
16	B039 1658	Rear Scale Bracket	1
17	B121 1069	Support Bracket	1
18	B039 1068	ADF Bracket	1
19	B238 1845	Seal:Exposure Glass	2

Index No.	Part No.	Description	Q'ty Per Assembly
101	0451 3006N	Tapping Screw - M3x6	
102	0454 3006Q	Tapping Screw With Washer - M3x6	

4.Optics Section 2 (D096)

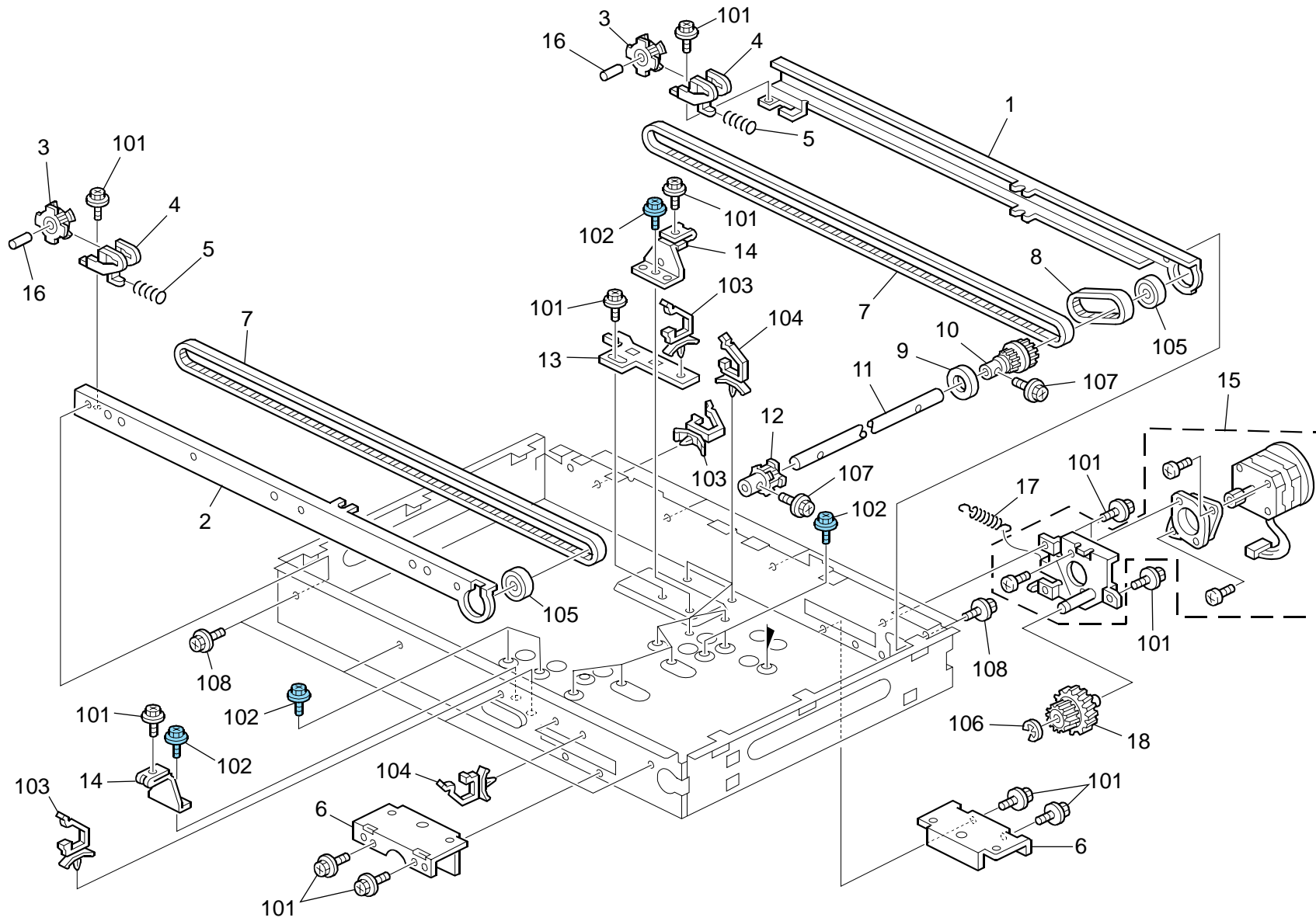


4.Optics Section 2 (D096)

Index No.	Part No.	Description	Q'ty Per Assembly
1	B039 1787	2nd Mirror	2
2	B039 1781	2nd Mirror Holder	4
3	B039 1785	Scanner Drive Pulley	4
4	B121 1782	Flexible Board Guide	1
5	B259 1768	Carriage No.2 Ass'y	1
6	B039 1784	Scanner Drive Belt	2
7	B259 1778	Idler Belt Pulley Bracket - Rear	1
8	B039 1790	Tension Spring	2
9	B259 1776	Idler Belt Pulley Bracket - Front	1
10	B121 1757	Xenon Lamp MM8 26000/70	1
11	B039 1758	Timing Belt Holder - Front	1
12	B121 1751	No.1 Carriage Ass'y	1
13	B039 1759	Timing Belt Holder - Rear	1
14	B121 1766	No.1 Mirror Clamp	2
15	B121 1762	No.1 Mirror	1
16	B259 1763	Xenon Lamp Stabilizer	1
17	B259 5223	Harness - Stabilizer	1
18	G570 2730	Slider - Scanner	8

Index No.	Part No.	Description	Q'ty Per Assembly
101	0451 3006N	Tapping Screw - 3x6	

5.Optics Section 3 (D096)

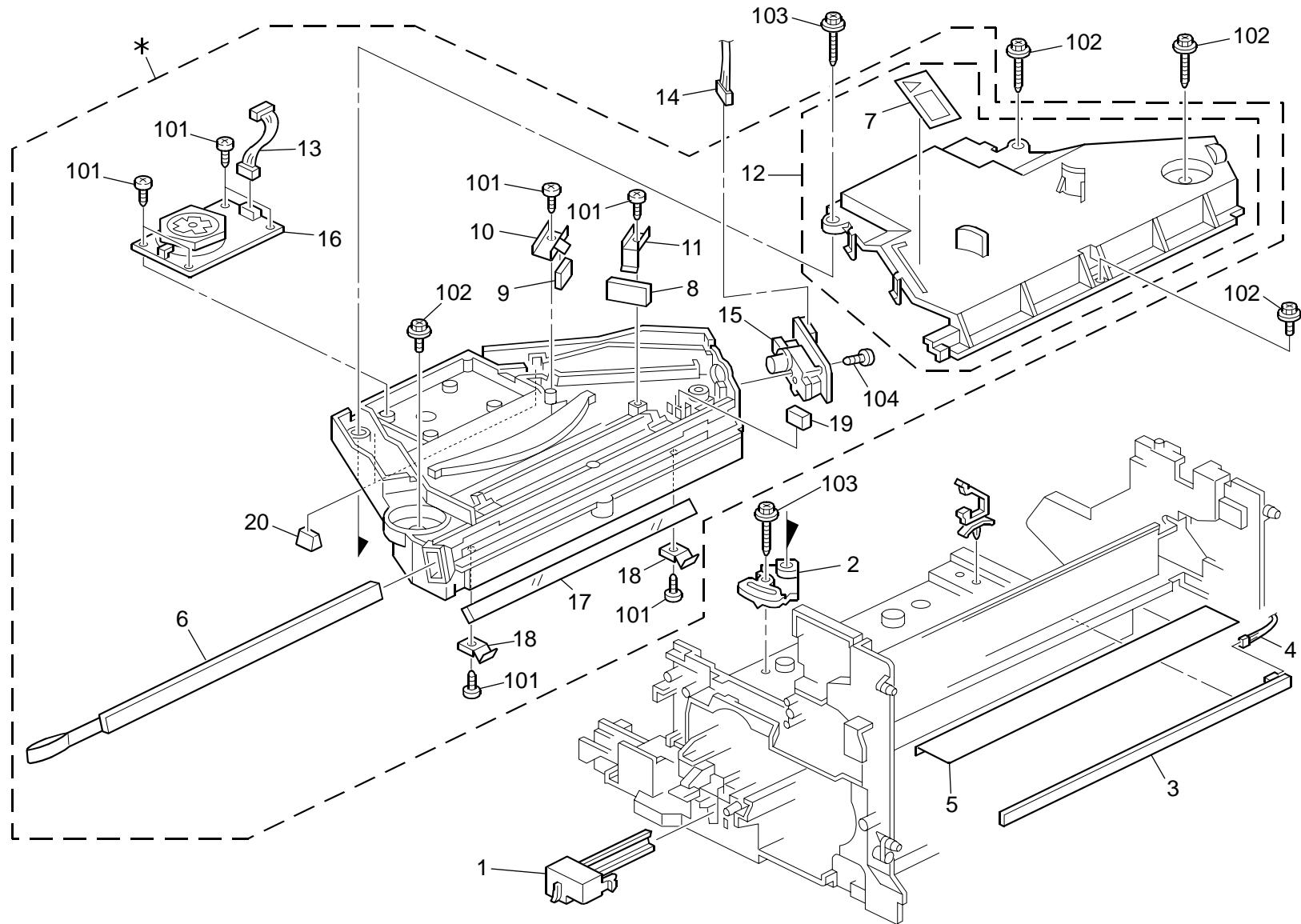


5.Optics Section 3 (D096)

Index No.	Part No.	Description	Q'ty Per Assembly
1	B039 1663	Rear Scanner Frame	1
2	B039 1662	Front Scanner Frame	1
3	B039 1703	Pulley - 37Z	2
4	B039 1705	Bracket:Idler	2
5	B039 1704	Spring - Timing Pulley	2
6	B121 1667	Lens Stay Bracket	2
7	B039 1697	Timing Belt - 1058.25XL	2
8	B121 1696	Timing Belt L147	1
9	B039 1695	Flange - Pulley	1
10	B039 1694	Pulley - 37/41Z	1
11	B259 1691	Scanner Drive Shaft	1
12	B039 1692	Pulley - 37Z	1
13	B039 1668	Bracket - Stabilizer Harness	1
14	B121 1664	Bracket - Timing Belt	1
15	B039 1699	Stepper Motor:MM42:2.9W	1
16	B259 1702	Pulley Shaft	2
17	B039 1683	Tension Spring - Stepper Motor	1
18	B121 1680	Gear - 53Z/60Z	1

Index No.	Part No.	Description	Q'ty Per Assembly
101	0451 3006N	Tapping Screw - 3x6	
102	0454 3006Q	Tapping Screw With Washer - M3x6	
103	1105 0511	Harness Clamp - LWS-0306ZC	
104	1105 0487	Harness Clamp	
105	0805 3530	Bearing 8x22x7	
106	0720 0060E	Retaining Ring - M6	
107	0360 3006P	Screw - M3x6	
108	0453 3006N	Tapping Screw - M3x6	

6.Laser Unit (D096)

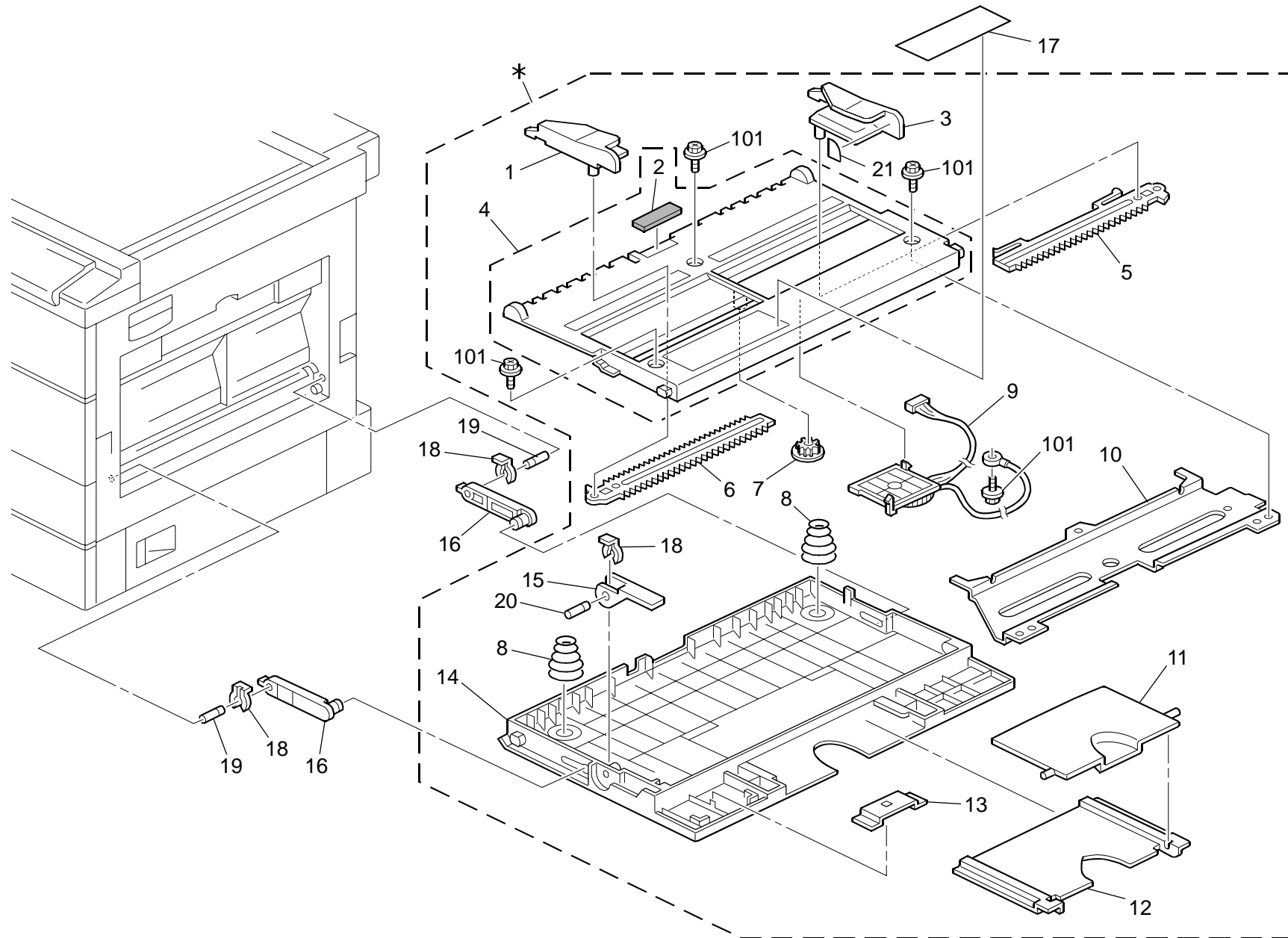


6.Laser Unit (D096)

Index No.	Part No.	Description	Q'ty Per Assembly
*	B283 1876	Imaging Unit:Ass'y	1
1	B276 1251	Cover:Shield Glass	1
2	B039 1905	Adjusting Plate	1
3	B259 2381	Discharge Lamp - QL	1
4	B121 5204	Harness - Discharge Lamp	1
5	B039 1088	Sheet - Duct	1
6	B283 1961	Shield Glass:Ass'y	1
7	B283 1981	Decal:LD	1
8	AC03 0139	Sync Detector Mirror	1
9	AC02 4009	Cylindrical Lens	1
10	B039 1942	Cylindrical Lens Holder	1
11	B039 1954	Holder - Sync Detector Mirror	1
12	B283 1971	Cover:Ass'y	1
13	B121 5439	Harness - Polygon Mirror Motor	1
14	B121 5250	Harness - LDD	1
15	B276 1917	Laser Diode Unit:Ass'y	1
16	AX06 0323	Polygon Motor - 23622RPM	1
17	AC03 0138	2nd Mirror	1
18	B039 1953	2nd Mirror Holder	2
19	AC02 0095	Sync Detector Lenz	1
20	B121 1975	Rubber Bushing	2

Index No.	Part No.	Description	Q'ty Per Assembly
101	0452 3010N	Tapping Bind Screw - M3x10	
102	0450 3012N	Tapping Screw -3x12	
103	0450 3020N	Tapping Screw:M3x20	
104	0452 3014N	Tapping Screw - M3x14	

7.By-pass Feed Section (D096)

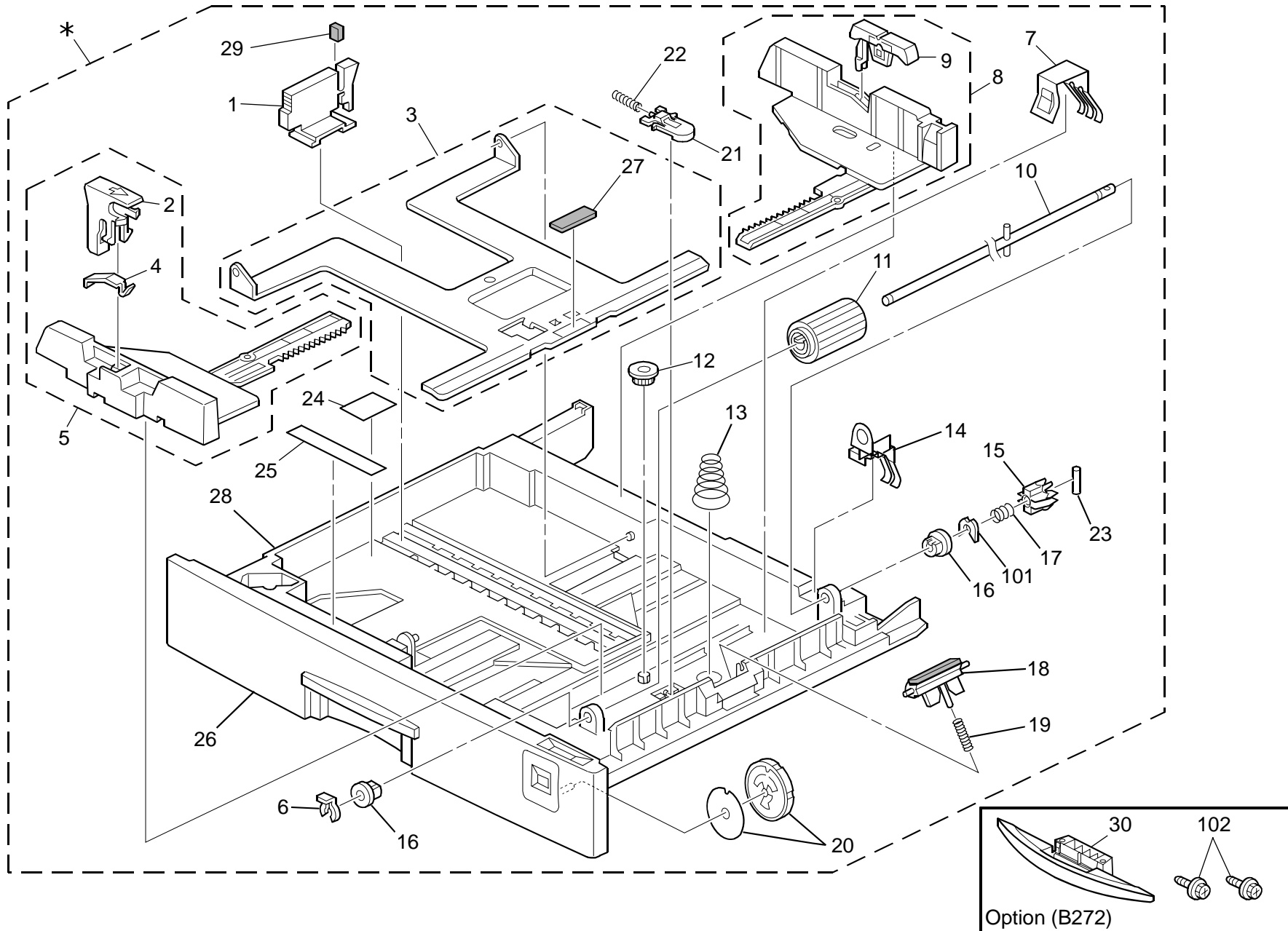


7.By-pass Feed Section (D096)

Index No.	Part No.	Description	Q'ty Per Assembly
*	B259 2603	Manual Feed Table:Ass'y	1
1	B039 2631	Front Side Fence	1
2	B039 2628	Bottom Plate Pad	1
3	B039 2632	Rear Side Fence	1
4	B039 2630	Tray Bottom Plate	1
5	B039 2638	Rack - Rear Side Fence	1
6	B039 2637	Rack - Front Side Fence	1
7	G012 3050	Side Fence Gear	1
8	AA06 3643	Spring - By-pass Feed Table	2
9	B039 2645	Rotary Switch	1
10	B039 2629	Stay - Tray Bottom Plate	1
11	B039 2620	Paper Guide - Extension	1
12	B039 2621	Paper Guide	1
13	B121 2617	Magnet Catch - By-pass Feed	1
14	B039 2619	By-pass Feed Table	1
15	G020 2784	Lever - By-pass Feed Table	1
16	B039 2643	Link - By-pass Feed Table	2
17	B039 2633	Decal - By-pass Feed	1
18	5447 2681	Snap Ring	3
19	B259 2642	Pin - MM6	2
20	B259 2786	Lever Shaft	1
21	B238 2753	Decal - Side Fence	1

Index No.	Part No.	Description	Q'ty Per Assembly
101	0451 3008N	Tapping Screw - M3x8	

8.Paper Cassette (D096)

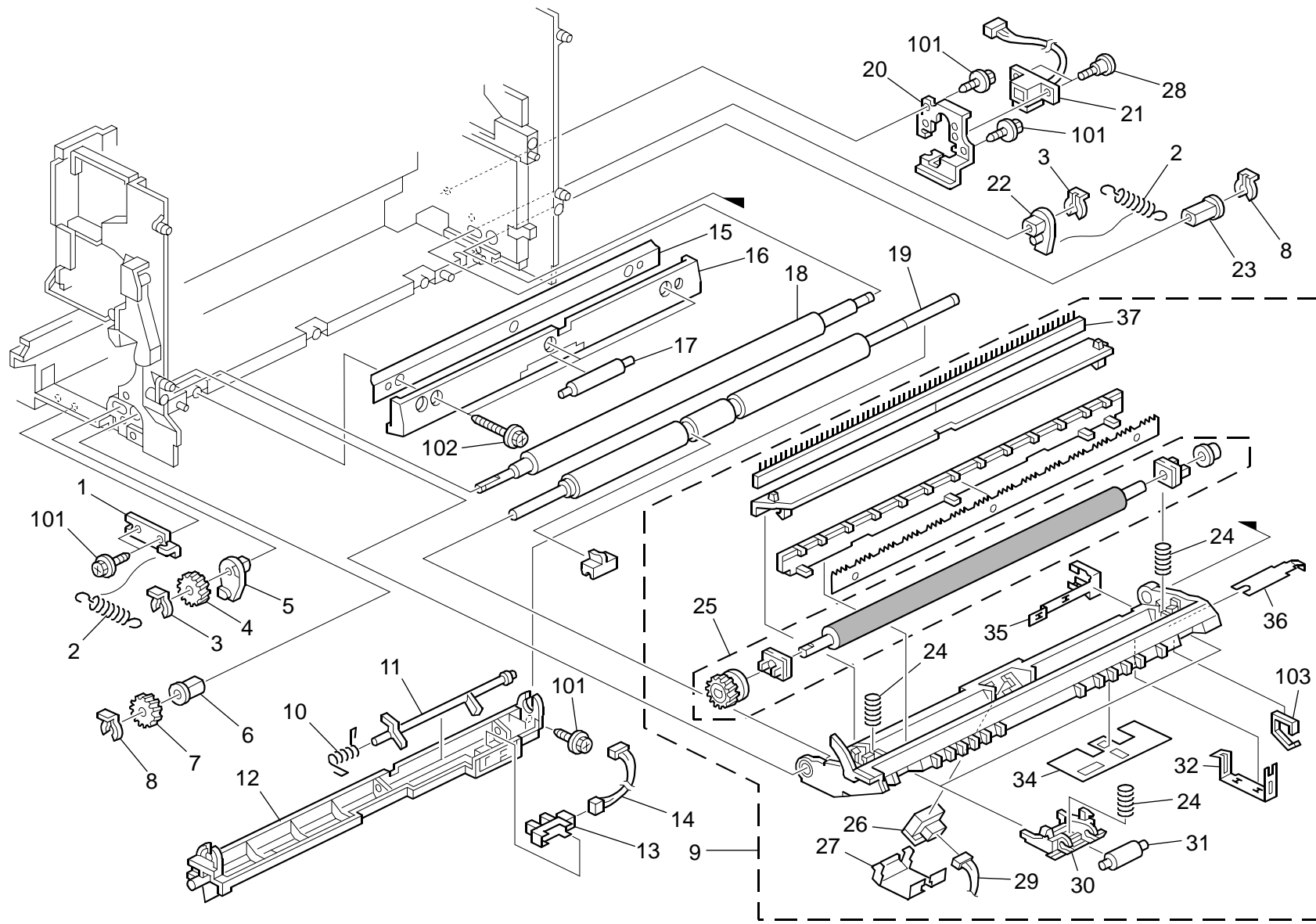


8.Paper Cassette (D096)

Index No.	Part No.	Description	Q'ty Per Assembly
*	B243 2841	Paper Tray Unit NA	1
*	B243 2840	Paper Tray Unit EU	1
1	B276 2644	End Fence:C3	1
2	B039 2704	Front Stopper Lever	1
3	B039 2701	Tray Bottom Plate	1
4	B039 2707	Spring Plate - Side Fence	1
5	B039 2734	Side Fence - Front	1
6	5215 2621	Snap Ring - M6	1
7	B039 2712	Ground Plate - Tray Bottom Plate	1
8	B039 2731	Side Fence - Rear	1
9	B039 2821	Rear Stopper Lever	1
10	B259 2737	Paper Feed Roller Shaft Ass'y	2
11	B039 2740	Paper Feed Roller	2
12	A267 2869	Gear - 16Z	1
13	B276 2719	Spring:Base:5.8N	1
14	B039 2742	Ground Plate - Paper Feed Roller	1
15	B039 2823	Joint - Paper Feed Roller	1
16	B039 2727	Bushing - 8x12x10	2
17	B039 2732	Spring - Paper Feed Roller	1
18	B039 2711	Friction Pad	1
19	B039 2713	Spring - Friction Pad	1
20	B039 2829	Paper Size Detector - LT	1
20	B039 2724	Paper Size Detector - A4	1
21	A250 2808	Stopper Base	1
22	G020 2599	Spring - Release Lever	1
23	B039 2739	Shaft - Joint	1
24	B039 2720	Decal - Cassette Operation DLT	1
25	B039 2721	Decal - Cassette Operation	1
26	B243 2702	Cover - Paper Tray	1
27	5215 2713	Bottom Plate Pad	1
28	B243 2701	Paper Tray	1
29	B276 2646	Rubber Bushing	1
30	B272 2510	Grip:Option:Paper Tray	1

Index No.	Part No.	Description	Q'ty Per Assembly
101	0805 0088	Retaining Ring - M6	
102	0450 3008N	Tapping Screw - M3x8	

9.Paper Resistration (D096)

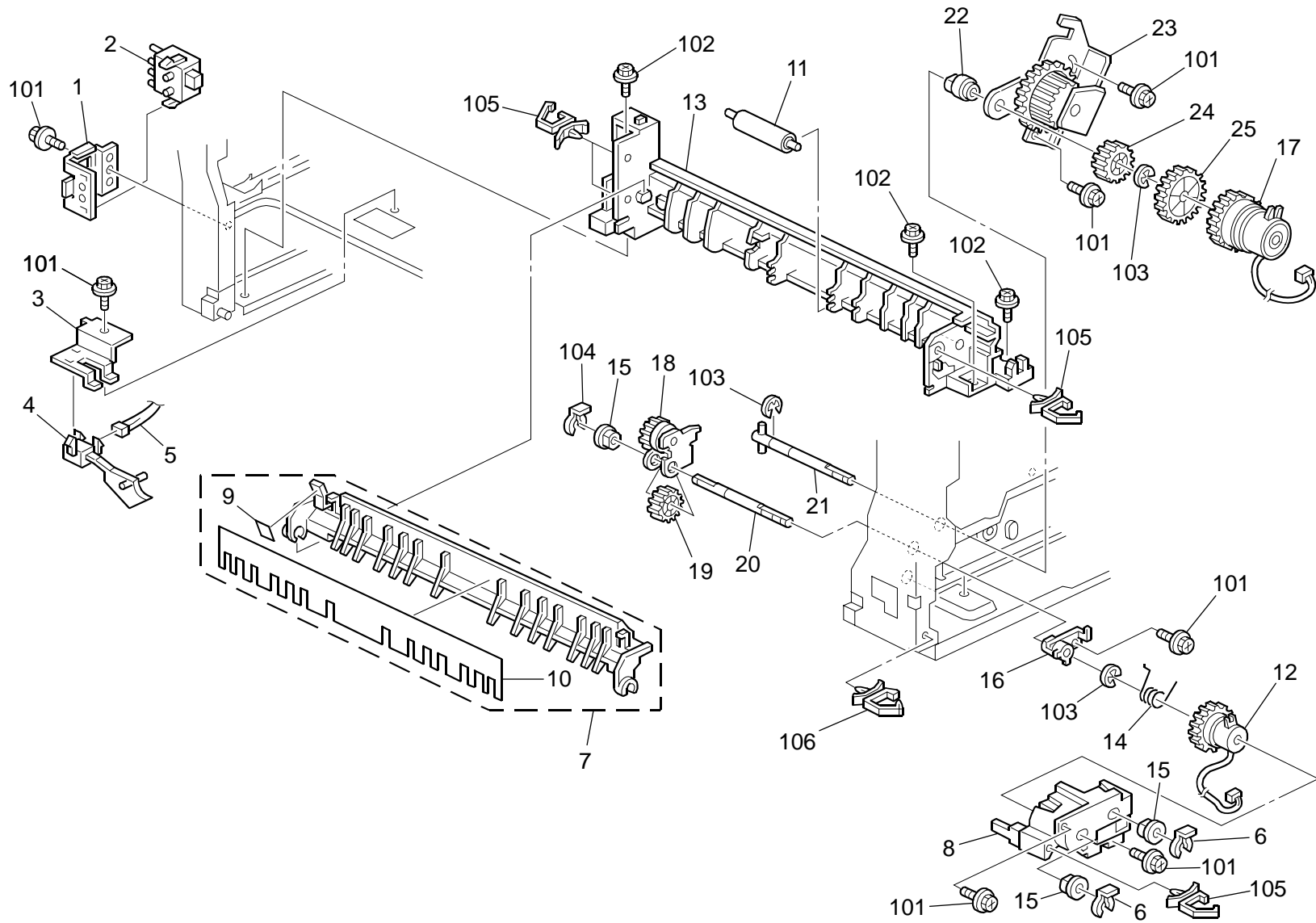


9.Paper Resistration (D096)

Index No.	Part No.	Description	Q'ty Per Assembly
1	B039 2575	Bracket - Registration Roller	1
2	AA06 2254	Registration Roller Spring	2
3	5447 2681	Snap Ring	2
4	AB01 2312	Gear - 16Z	1
5	AA08 0342	Fornt Bushing-registration Roller	1
6	AA08 0267	Bushing - 8x12x18	1
7	AB01 2311	Gear - 18Z	1
8	AA10 0015	Snap Ring - M6	2
9	B121 3804	Transfer Unit	1
10	AA06 6342	Registration Sensor Spring	1
11	B039 2570	Registration Feeler	1
12	B039 2567	Guide - Right Registration Roller	1
13	GW02 0020	Photointerruptor:LG248NL1	1
14	B121 5202	Harness - Registration Sensor	1
15	B039 2560	Registration Cleaning Mylar	1
16	B039 2572	Guide - Left Registration Roller	1
17	B039 2558	Driven Roller	1
18	B259 2571	Registration Roller Driven - Dia16	1
19	B259 2562	Registration Roller Drive	1
20	B039 1130	Development Sensor Bracket	1
21	B121 5248	Harness - Development Sensor	1
22	AA08 0343	Rear Bushing-registration Roller	1
23	AA08 2110	Bushing - 8x12x22	1
24	AA06 3607	Pressure Spring	2
25	B039 3820	Transfer Roller	1
26	B259 3890	Density Sensor	1
27	B039 3891	ID Sensor Cover	1
28	B259 1131	Screw:PCU	2
29	B121 5206	Harness - Density Sensor	1
30	B039 3866	Pressure Cover	1
31	B039 3867	Roller - Transfer Unit	2
32	B039 3863	Quenching Terminal Plate	1
33	B043 2554	Registration Guide Spacer	1
34	B121 3860	Harness Cover	1
35	B039 3864	Quenching Terminal Plate-front	1

Index No.	Part No.	Description	Q'ty Per Assembly
36	B039 3865	Transfer Terminal Plate	1
37	B120 3862	Front Discharge Brush	1
101	0450 3008N	Tapping Screw - M3x8	
102	0450 3012N	Tapping Screw:3x12	
103	1105 0522	Edge Saddle - LES0510	

10.1st Paper Feed Section (D096)

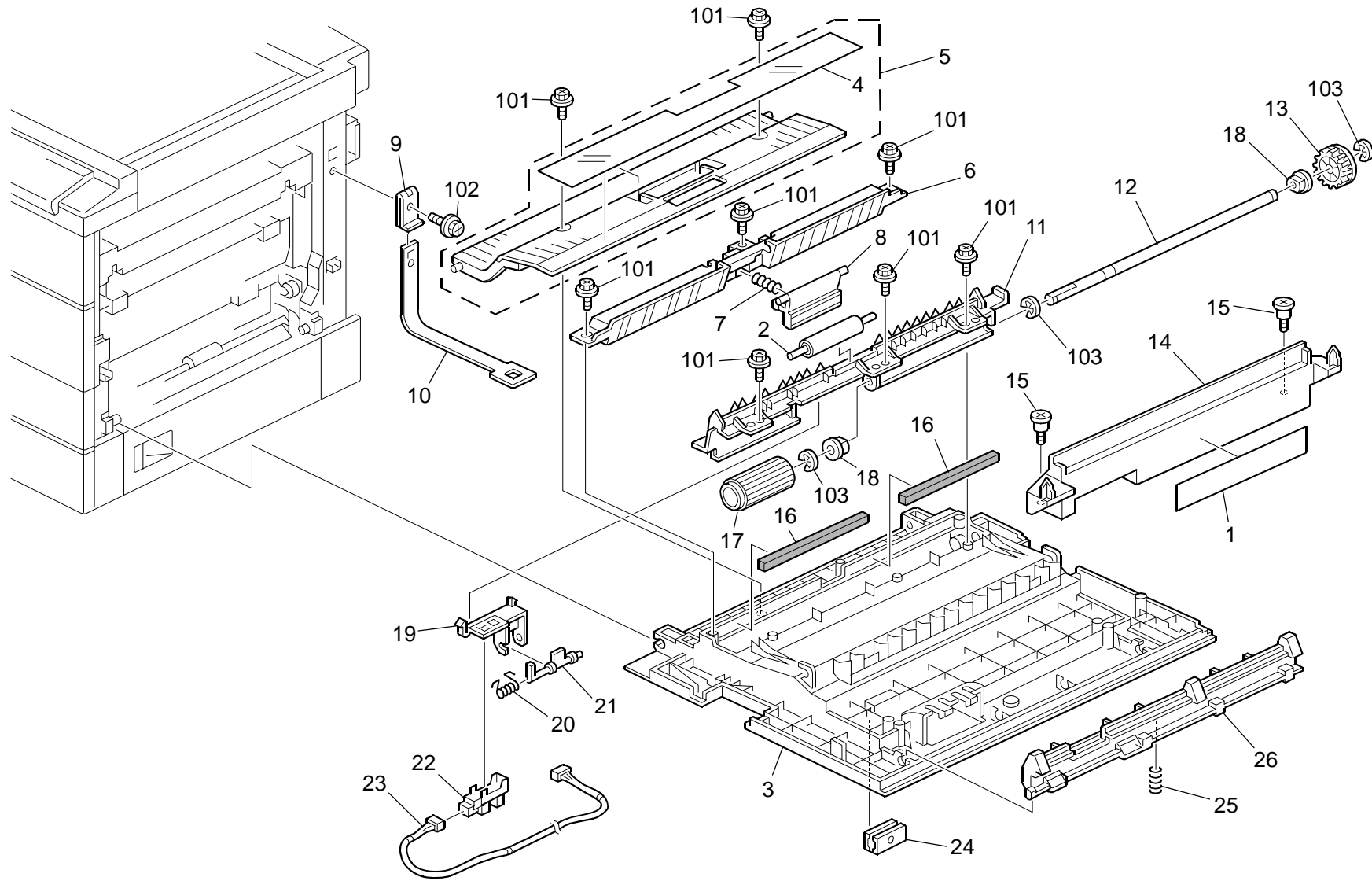


10.1st Paper Feed Section (D096)

Index No.	Part No.	Description	Q'ty Per Assembly
1	B039 2754	Bracket - Paper Size Sensor	1
2	G800 3035	Push Sw - Paper Size	1
3	B039 2736	Bracket - Paper End Sensor	1
4	B039 2730	Paper End Sensor	1
5	B121 5215	Harness - Paper End Sensor No.1	1
6	5447 2681	Snap Ring	2
7	B039 2585	Exit Guide Plate	1
8	B039 1142	Housing - Paper Feed	1
9	B039 2834	Decal - Exit Paper Feed	1
10	B039 2587	Mylar - Exit Guide Plate	1
11	B039 2558	Driven Roller	1
12	B276 1152	Magnetic Clutch:Manual Feed:Ass'y	1
13	B270 2830	Right Rail	1
14	B039 1199	Spring - By-pass Feed	1
15	AA08 2101	Bushing - 6x10x6	3
16	B039 1193	Bushing - By-pass Feed	1
17	B276 1150	Magnetic Clutch:Paper Feed:Drive:Ass'y	1
18	B259 1194	Manual Feed Drivebracket	1
19	B039 1191	Gear - 19Z	1
20	B259 1190	Shaft - Drive Manual Feed	1
21	B276 1183	Shaft:Paper Feed:Drive:Ass'y	1
22	B121 1188	Bushing	1
23	B259 1178	Paper Feed Drive Bracket	1
24	B039 1187	Gear - 30Z	1
25	B039 1186	Gear - 46Z	1

Index No.	Part No.	Description	Q'ty Per Assembly
101	0451 3006N	Tapping Screw - 3x6	
102	0454 3006Q	Tapping Screw With Washer - M3x6	
103	0720 0040E	Retaining Ring - M4	
104	0805 0097	Ring Separator	
105	1105 0511	Harness Clamp - LWS-0306ZC	
106	1105 0487	Harness Clamp	

11.Vertical Transport (D096)

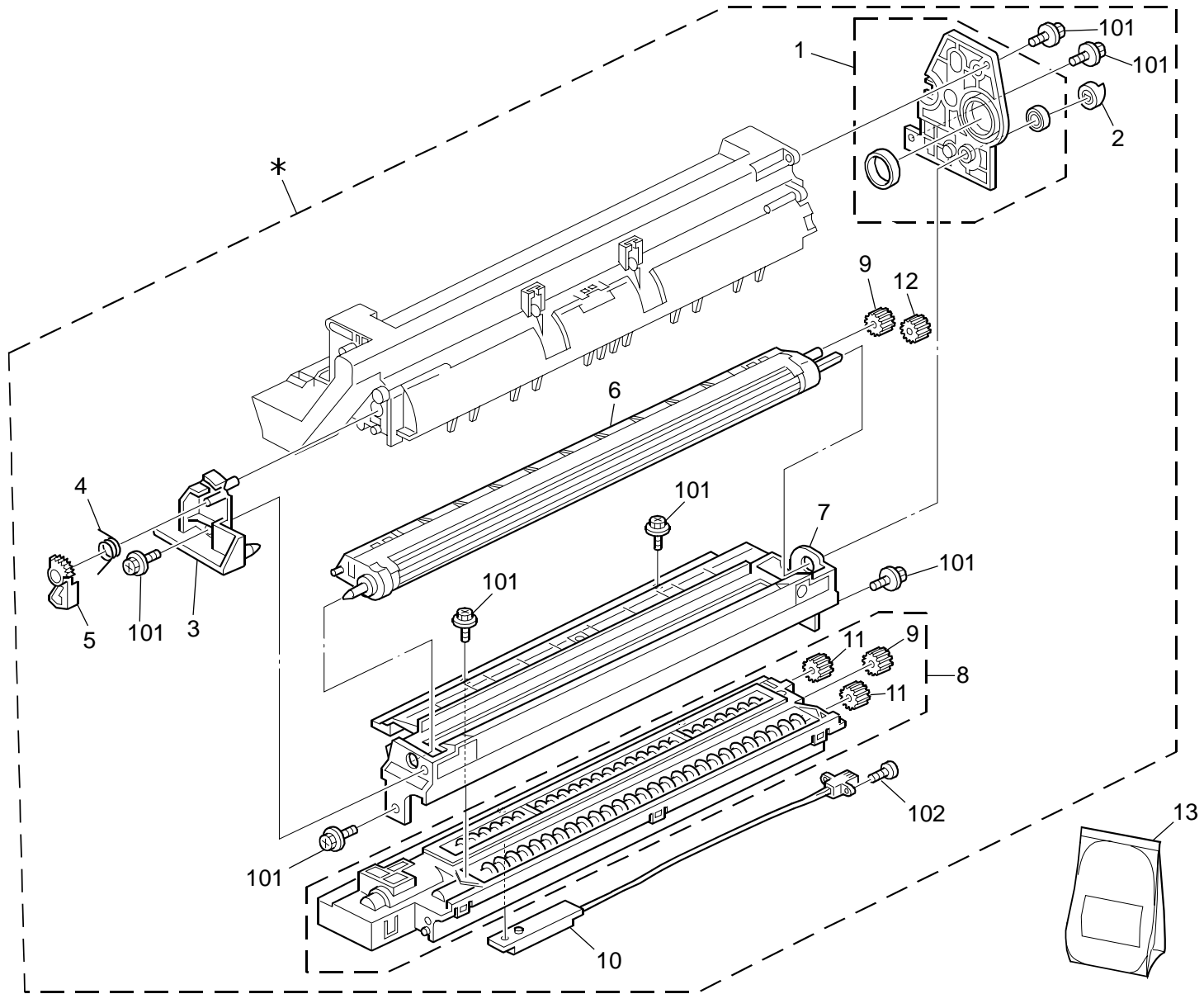


11.Vertical Transport (D096)

Index No.	Part No.	Description	Q'ty Per Assembly
1	B039 4488	Jam Removal Decal	1
2	B039 2558	Driven Roller	1
3	B039 2670	Right Door	1
4	B039 2655	Vertical Transport Guide	1
5	B039 2653	Vertical Transport Guide	1
6	B039 2592	Lower Guide Plate - By-pass Feed	1
7	AA06 3398	Spring - Friction Pad	1
8	B039 2596	Friction Pad	1
9	A232 3962	Spring Plate - Band Stopper	1
10	B039 2660	Band - Right Door	1
11	B039 2594	Upper Guide Plate - By-pass Feed	1
12	B259 2594	Shaft - Feed	1
13	AB01 2313	Gear - 25Z	1
14	B121 4470	Right Lower Exit Guide Plate	1
15	B039 4480	Stepped Screw - M5	2
16	B039 2658	Sponge - By-pass Feed	2
17	AF03 1060	By-pass Feed Roller	1
18	AA08 2101	Bushing - 6x10x6	2
19	B039 2610	Bracket - Paper End Sensor	1
20	AA06 6343	Spring - Paper End Sensor	1
21	B039 2611	Feeler - Paper End Sensor	1
22	GW02 0020	Photointerruptor:LG248NL1	1
23	B121 5259	Harness - Paper End Sensor	1
24	AG07 0514	Magnet Catch	1
25	B039 2651	Right Door Lever	1
26	A250 1388	Spring	1

Index No.	Part No.	Description	Q'ty Per Assembly
101	0450 3008N	Tapping Screw - M3x8	
102	0451 3006N	Tapping Screw - 3x6	
103	0720 0040E	Retaining Ring - M4	

12.PCU 1 (D096)

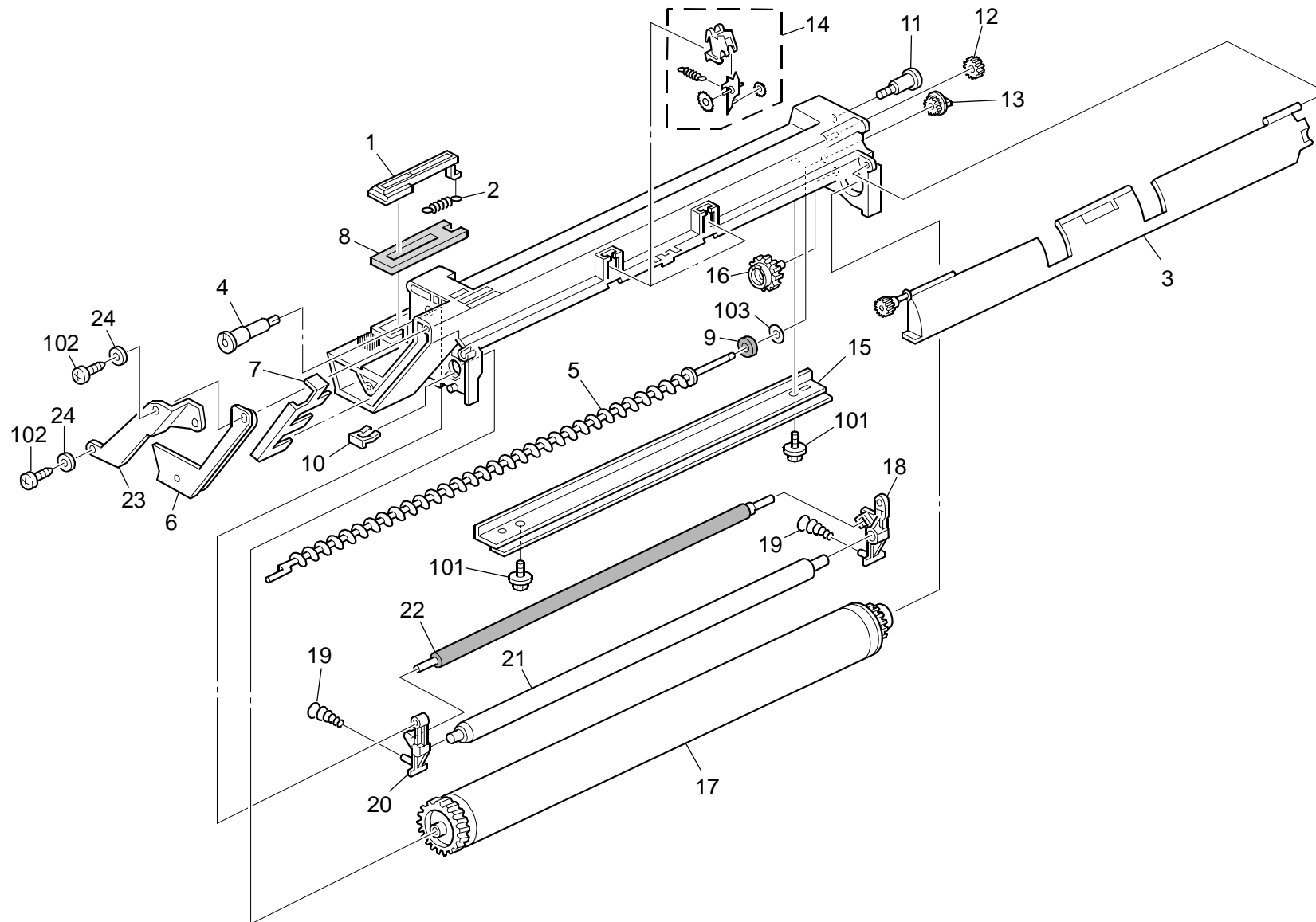


12.PCU 1 (D096)

Index No.	Part No.	Description	Q'ty Per Assembly
*	B259 2210	PCU	1
1	B259 2371	Rear Drum Stay	1
2	A267 3440	Development Joint	1
3	B039 2361	Front Side Plate - Drum	1
4	B039 2367	Drum Shutter Spring	1
5	B039 2362	Drum Shutter Gear	1
6	B259 3052	Development Roller:Ass'y	1
7	B039 3159	Case:Development Roller:Ass'y	1
8	B259 3170	Development Case Ass'y	1
9	B039 3062	Idler Gear - 16Z	2
10	B259 3390	Density Sensor:K-C2.5:Ass'y	1
11	B039 3245	Gear - 15Z	2
12	B039 3060	Development Roller Gear	1
13	B121 9640	Developer Type 28 Black	1

Index No.	Part No.	Description	Q'ty Per Assembly
101	0360 3006N	Screw - M3x6	
102	0452 3008N	Tapping Screw - M3x8	

13.PCU 2 (D096)

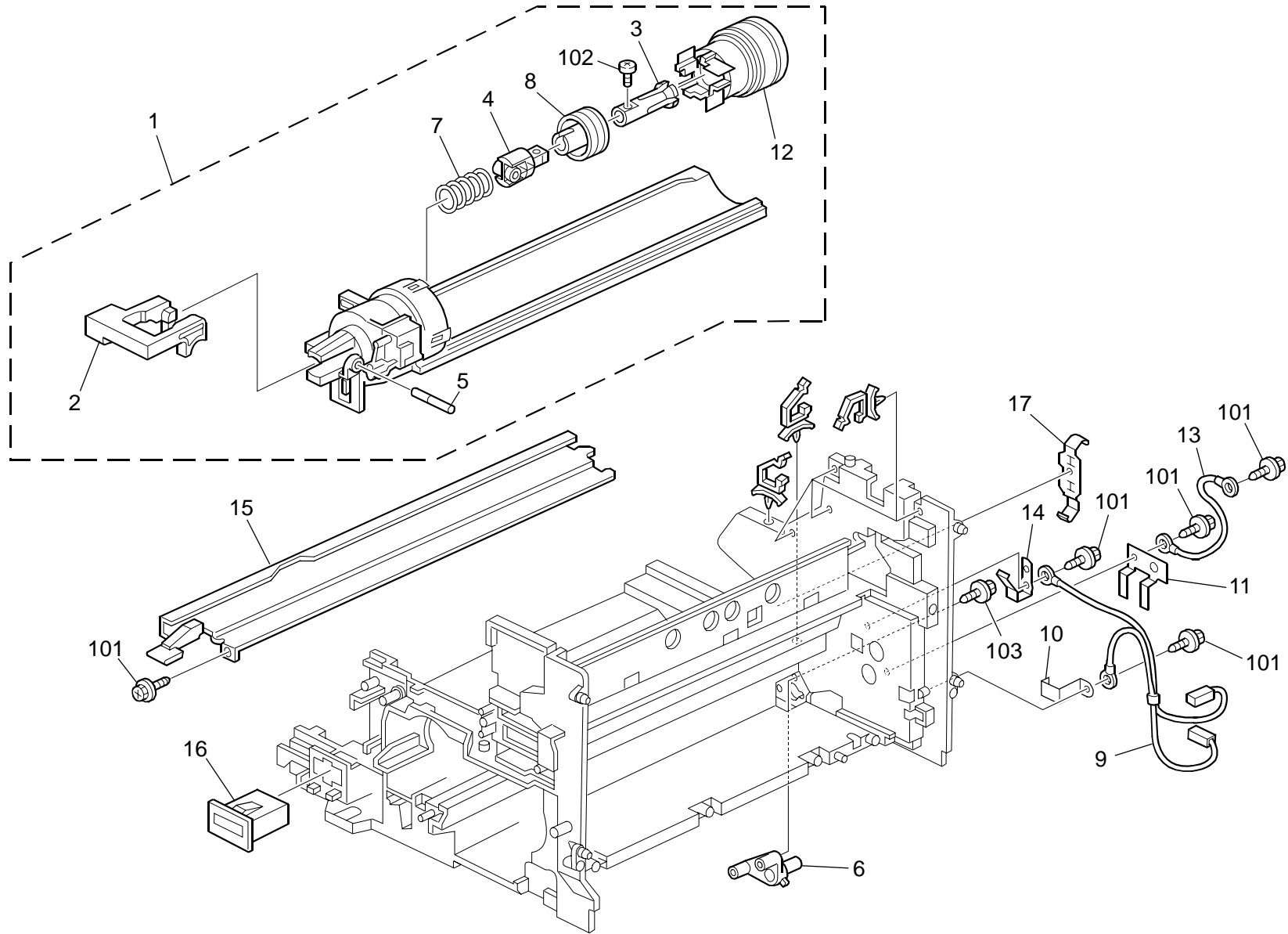


13.PCU 2 (D096)

Index No.	Part No.	Description	Q'ty Per Assembly
1	B121 2311	PCU Toner Supply Shutter	1
2	B039 2312	Shutter Spring	1
3	B039 2343	Drum Shutter	1
4	B039 2293	Pin - Front Pressure Arm	1
5	B039 2272	Recycled Toner Coil	1
6	B039 2321	Front PCU Cover	1
7	B039 2274	Recycled Toner Plate	1
8	B121 2313	Toner Supply Seal	1
9	B039 2276	Rear Bushing - Toner Coil	1
10	B039 2350	Drum Holder	1
11	AA14 3444	Stepped Screw	1
12	AB01 1403	Gear - 13Z	1
13	AB01 1402	Gear - 14Z	1
14	B039 2335	Pickoff Pawl	2
15	AD04 2059	Cleaning Blade Ass'y	1
16	B039 2288	Cam - Cleaning Blade	1
17	B039 9510	OPC Drum	1
18	B039 2295	Rear Pressure Arm - Charge Roller	1
19	B039 2287	Charge Roller Spring	2
20	B039 2292	Front Pressure Arm - Charge Roller	1
21	AD02 7018	Roller:Charge:A3	1
22	AD04 2058	Charge Cleaner Brush Roller	1
23	B259 2325	OPC Drum Shutter Plate	1
24	B039 2329	Spacer - M3	2

Index No.	Part No.	Description	Q'ty Per Assembly
101	0353 0060N	Bind Screw - M3x6	
102	0452 3012N	Binding Self-tapping Screw:M3x12	
103	0736 0610	Bushing 6x10	

14.Toner Supply Unit (D096)

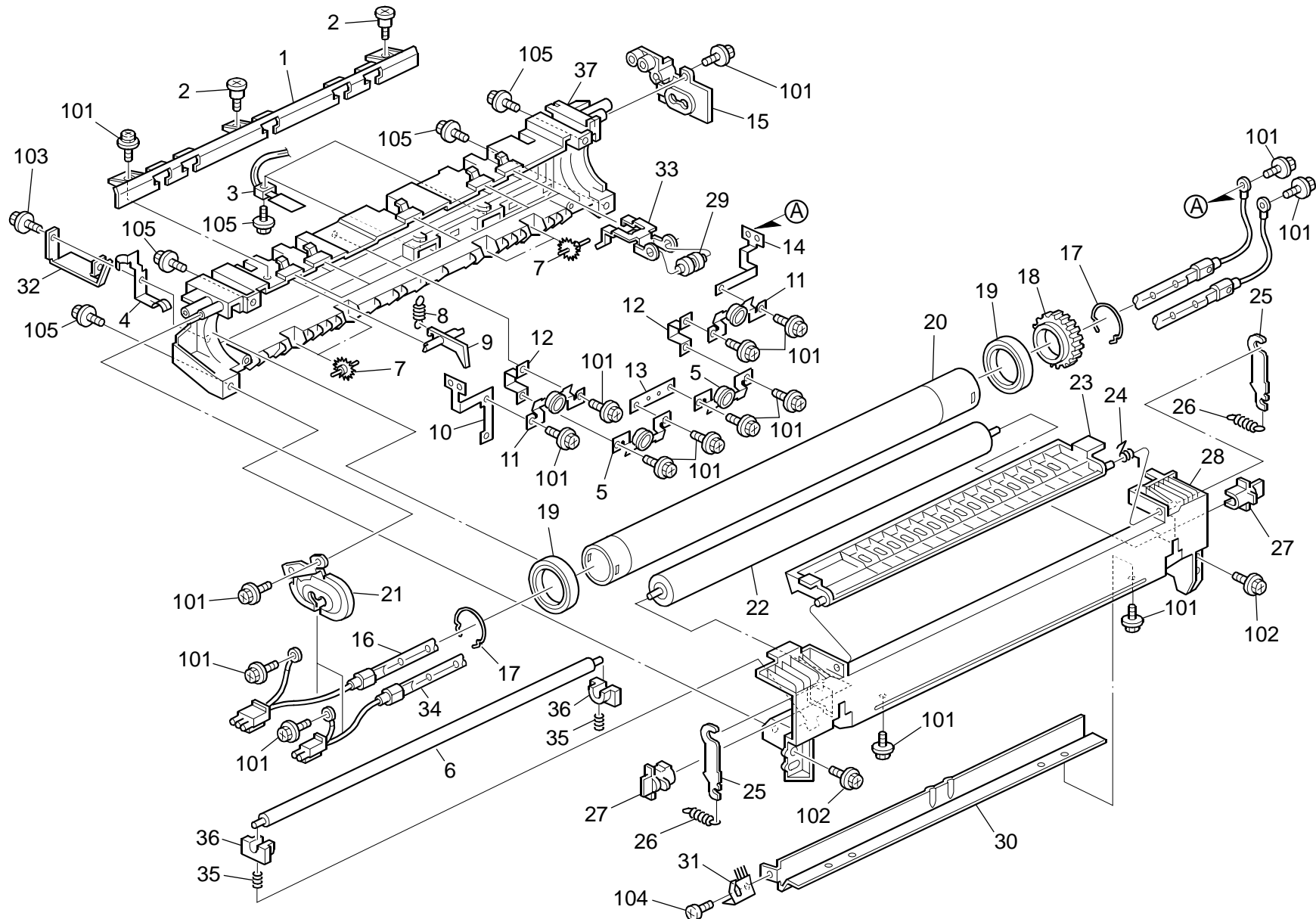


14.Toner Supply Unit (D096)

Index No.	Part No.	Description	Q'ty Per Assembly
1	B259 3031	Toner Supply Unit	1
2	B039 3360	Cam - Handle	1
3	A184 3420	Bottle Chuck	1
4	A184 3421	Chuck Shaft	1
5	B259 3422	Shaft:Slide	1
6	B039 1141	Shaft - Paper Feed Frame	1
7	A267 3556	Chuck Spring - Tonner Bottle	1
8	G020 3334	Slider Ass'y	1
9	B243 5233	Harness - High Voltage Line C/T	1
10	B039 3870	Terminal - Transfer	1
11	B039 2578	Grounding Plate	1
12	B039 3381	Cover:Toner Bottle:Ass'y	1
13	B121 5219	Harness - Ground Wire	1
14	B039 2382	Quenching Lamp Terminal	1
15	B039 3392	Guide Plate - Tonner Supply Unit	1
16	AX31 0046	Total Counter:7FIG:24V	1
17	B039 3395	Ground Plate - Toner Supply Unit	1

Index No.	Part No.	Description	Q'ty Per Assembly
101	0450 3008N	Tapping Screw - M3x8	
102	0452 3008N	Tapping Screw - M3x8	
103	0450 3010N	Tapping Screw - M3x10	

15.Fusing Unit (D096)

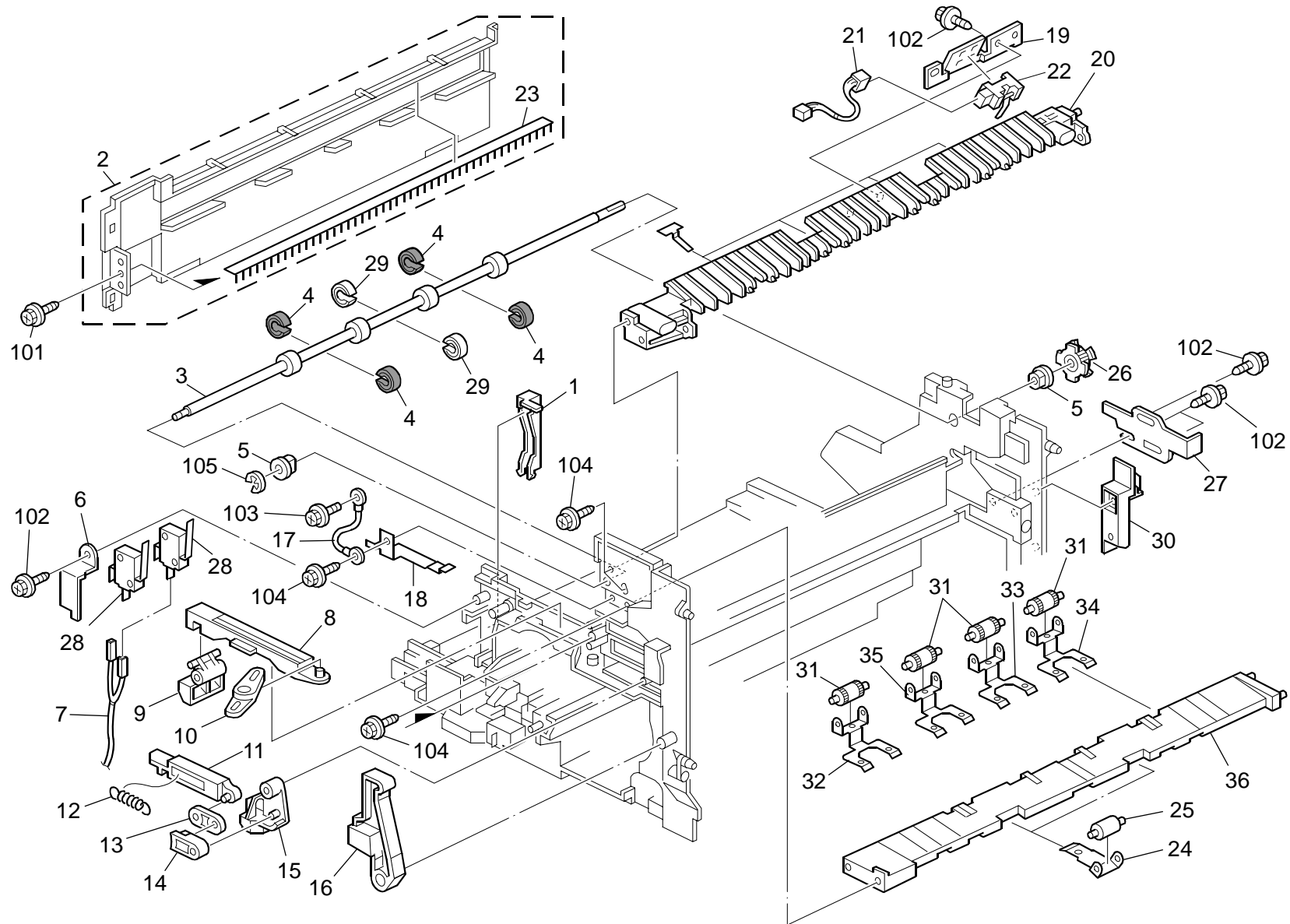


15.Fusing Unit (D096)

Index No.	Part No.	Description	Q'ty Per Assembly
*	B259 4003	Fusing Unit:NA:Ass'y	1
*	B259 4006	Fusing Unit:EU:Ass'y	1
*	B259 4007	Fusing Unit:TWN:Ass'y	1
1	B039 4102	Fusing Exit Guide	1
2	AA14 3870	Stepped Screw	2
3	AW10 0073	Thermistor	1
4	B039 4118	Front Ground Plate	1
5	B039 4120	Thermostat	2
6	B259 4015	Fusing Cleaning Roller	1
7	A232 2374	Spur	4
8	AA06 6637	Stripper Pawl Spring	5
9	AE04 4062	Stripper Pawls	5
10	B121 4111	Front Electrode Plate	1
11	B121 4120	Thermostat Ass'y	2
12	B121 4113	Short Electrode Plate	2
13	B121 4112	Long Electrode Plate	1
14	B121 4114	Rear Electrode Plate	1
15	B259 4091	Rear Heater Holder	1
16	B259 4210	Heater - 120V/550W	1
16	B259 4028	Heater - 230V/550W	1
16	B259 4212	Heater - 110V/600W (TWN)	1
17	G029 4140	External Circlip	2
18	B039 4171	Gear - 41Z	1
19	G052 4618	Bearing 30x42x7	2
20	AE01 1113	Hot Roller MM30	1
21	B121 4090	Front Heater Holder	1
22	AE02 0150	Pressure Roller	1
23	B039 4107	Fusing Exit Door	1
24	AA06 6635	Spring - Fusing Exit Guide	1
25	B039 4135	Pressure Roller Lever	2
26	AA06 2324	Pressure Spring	2
27	G029 4174	Pressure Roller Bushing	2
28	B245 4054	Frame:Pressure:Printing	1
29	B039 4170	Stripper Pawls Roller	5
30	B259 4115	Fusing Entrance Guide Plate	1

Index No.	Part No.	Description	Q'ty Per Assembly
31	B039 4117	Discharge Brush	1
32	B039 4114	Rear Ground Plate	1
33	B039 4168	Stripper Pawlsstopper	5
34	B259 4215	Heater - 120V/600W	1
34	B259 4214	Heater - 230V/600W	1
34	B259 4216	Heater - 110V/550W (TWN)	1
35	AA06 3570	Tension Spring	2
36	AA08 2073	Roller Busing	2
37	B259 4103	Frame:Fusing	1
101	0804 6123	Hexagonal Bolt:W/Washer:M3x8	
102	0954 4008N	Screw - M4x8	
103	0452 3008N	Tapping Screw - M3x8	
104	0313 0060N	Screw - M3x6	
105	0954 3010N	Screw:Polished Round/Spring:M3x10	

16. Paper Exit Section (D096)

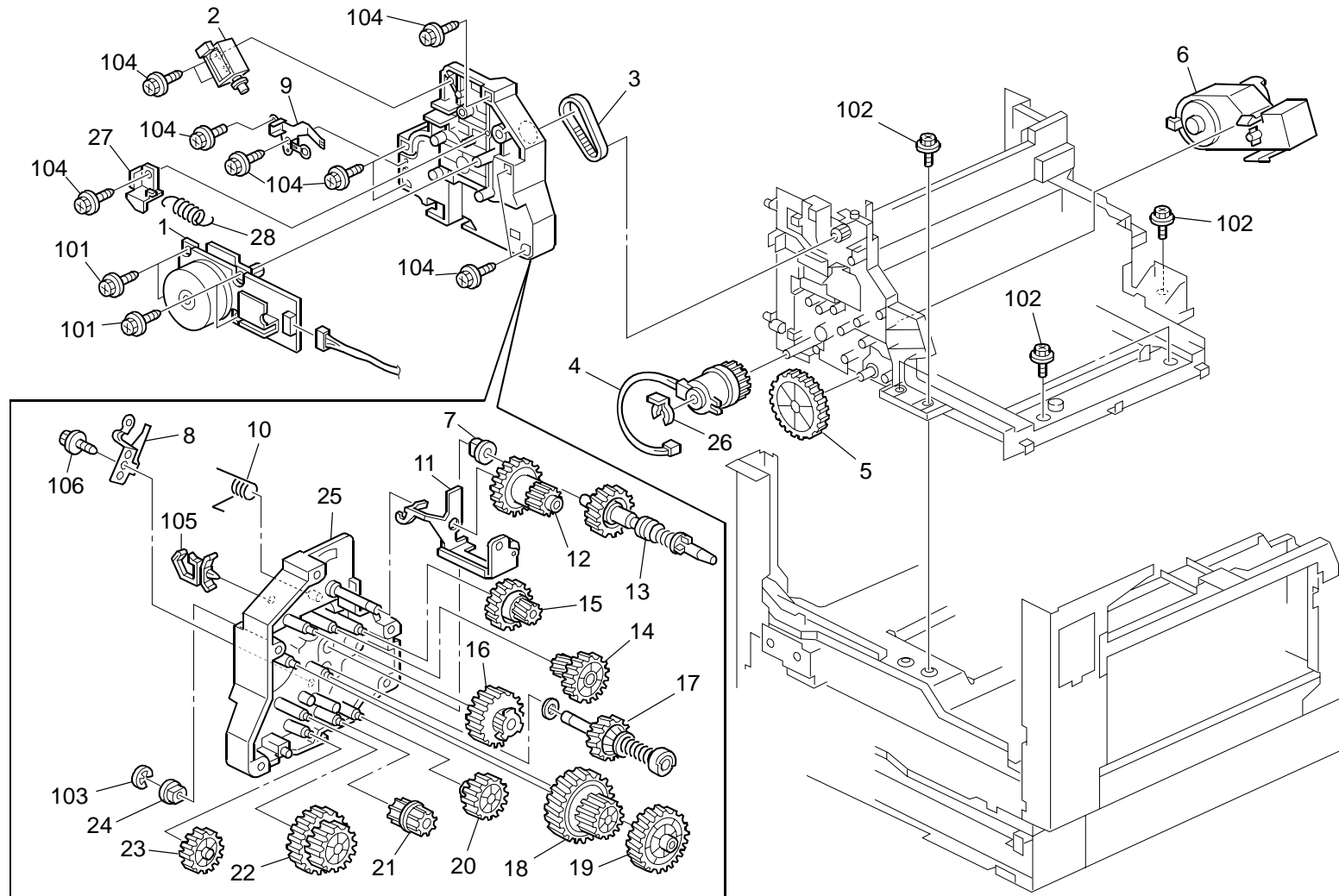


16.Paper Exit Section (D096)

Index No.	Part No.	Description	Q'ty Per Assembly
1	B121 1084	Heater Wire Cover	1
2	B276 1234	Fusing Cover:Paper Exit Sub-unit: One Side:C3bdom:Sub-ass'y	1
3	B259 4471	Exit Roller 2	1
4	B039 4473	Ring:Exit Roller	6
5	AA08 2063	Bushing - 8x10x5	2
6	B039 1082	Door Switch Bracket	1
7	B121 5205	Harness - Front Door Switch	1
8	B039 1096	Door Switch Lever - 7	1
9	B039 1123	Door Switch Lever - 8	1
10	B039 1095	Door Switch Lever - 6	1
11	B039 1094	Door Switch Lever - 5	1
12	B039 1098	Door Switch Spring	1
13	B039 1093	Door Switch Lever - 4	1
14	B039 1092	Door Switch Lever - 3	1
15	B039 1099	Door Switch Lever - 2	1
16	B039 1090	Door Switch Lever - 1	1
17	B039 4119	Fusing Grounding Harness	1
18	B039 4116	Ground Plate - Fusing Unit	1
19	B121 4503	Exit Photointerruptor Bracket	1
20	B121 4451	Exit Middle Guide Plate	1
21	B121 5238	Harness - Paper Feed Sensor	1
22	G361 5570	Photointerruptor - Duplex	1
23	B121 4490	Antistatic Brush	1
24	B039 4459	Exit Roller Holder - Inner	2
25	G029 4176	Turn Roller - Exit Sub-unit	2
26	B039 1163	Pulley - 23Z	1
27	B121 1132	Fusing Drive Release Bracket	1
28	B268 1085	Switch:LF-105-11	2
29	B121 4473	Exit Roller Ring MM14	2
30	B121 1126	Harness Guide	1
31	G052 4873	Outer Exit Cover Roller	2
32	B121 4465	Short Front Outer Holder	1
33	B121 4469	Long Rear Middle Holder	1
34	B121 4477	Short Rear Outer Holder	1

Index No.	Part No.	Description	Q'ty Per Assembly
35	B121 4467	Long Front Middle Holder	1
36	B121 4461	Exit Lower Guide Plate	1
101	0450 4010N	Tapping Screw:M4x10	
102	0450 3008N	Tapping Screw - M3x8	
103	0451 3006N	Tapping Screw - 3x6	
104	0450 3012N	Tapping Screw:3x12	
105	0720 0030E	Retaining Ring - M3	

17. Drive Section (D096)

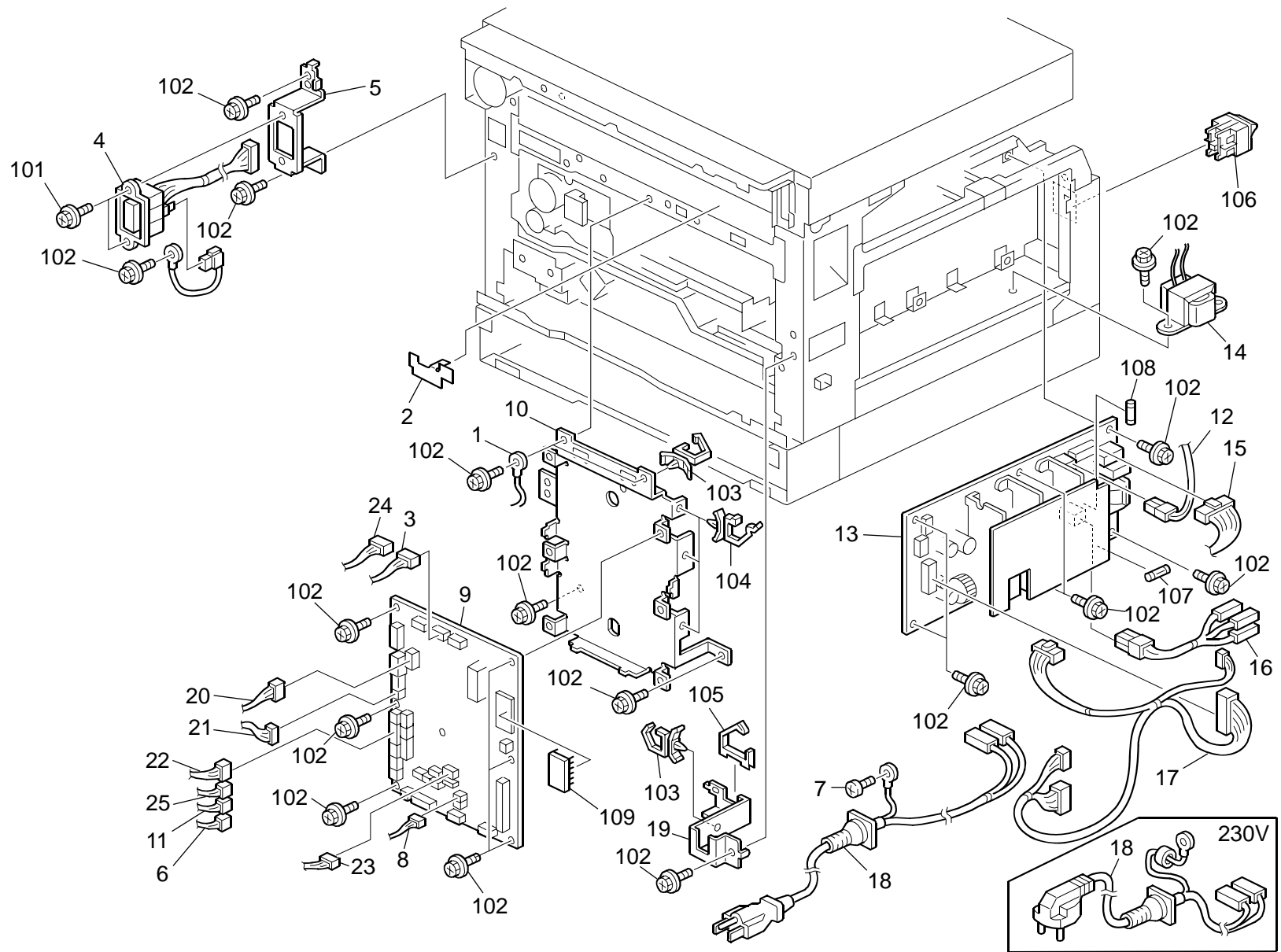


17. Drive Section (D096)

Index No.	Part No.	Description	Q'ty Per Assembly
1	B276 1055	Brushless Motor DC24V/20W	1
2	B259 1135	DC Solenoid Ass'y	1
3	B039 1162	Timing Belt - 226XL	1
4	B276 1149	Magnetic Clutch:0.5n M:Z39	1
5	B039 1170	Gear - 63Z	1
6	B276 3310	DC Motor:Toner Bottle:Kir-C3:Ass'y	1
7	B039 1144	Bushing - 8x16x9	1
8	B282 1135	Electrode Plate:Development:Ass'y	1
9	B282 1128	Ground	1
10	B121 1161	Large Spring	1
11	B259 1157	Fusing Swivel Bracket	1
12	B039 1156	Coupled Gear - 20/49Z (12)	1
13	B039 1148	Drum Shaft (02)	1
14	B039 1145	Coupled Gear - 34/63Z (01)	1
15	B039 1146	Coupled Gear - 32/71Z (04)	1
16	B039 1155	Gear/pulley - 61/34Z (11)	1
17	B259 1174	Development Drive Shaft (03)	1
18	B039 1154	Coupled Gear - 37/97Z (05)	1
19	B039 1173	Gear - 78Z (06)	1
20	B039 1168	Gear - 32Z (10)	1
21	B039 1167	Gear - 22Z (09)	1
22	B039 1165	Coupled Gear - 49/59/38Z (08)	1
23	B039 1166	Gear - 37Z (07)	1
24	5304 1639	Bushing - 8mm	1
25	B121 1140	Main Drive Housing	1
26	AA10 0015	Snap Ring - M6	1
27	B121 1145	Harness Hook	1
28	B121 1162	Small Spring	1

Index No.	Part No.	Description	Q'ty Per Assembly
101	0450 4010N	Tapping Screw:M4x10	
102	0454 3008Q	Tapping Screw	
103	0720 0060E	Retaining Ring - M6	
104	0450 3008N	Tapping Screw - M3x8	
105	1105 0488	Harness Clamp	
106	0451 3006N	Tapping Screw - M3x6	

18.Electrical Section 1 (D096)

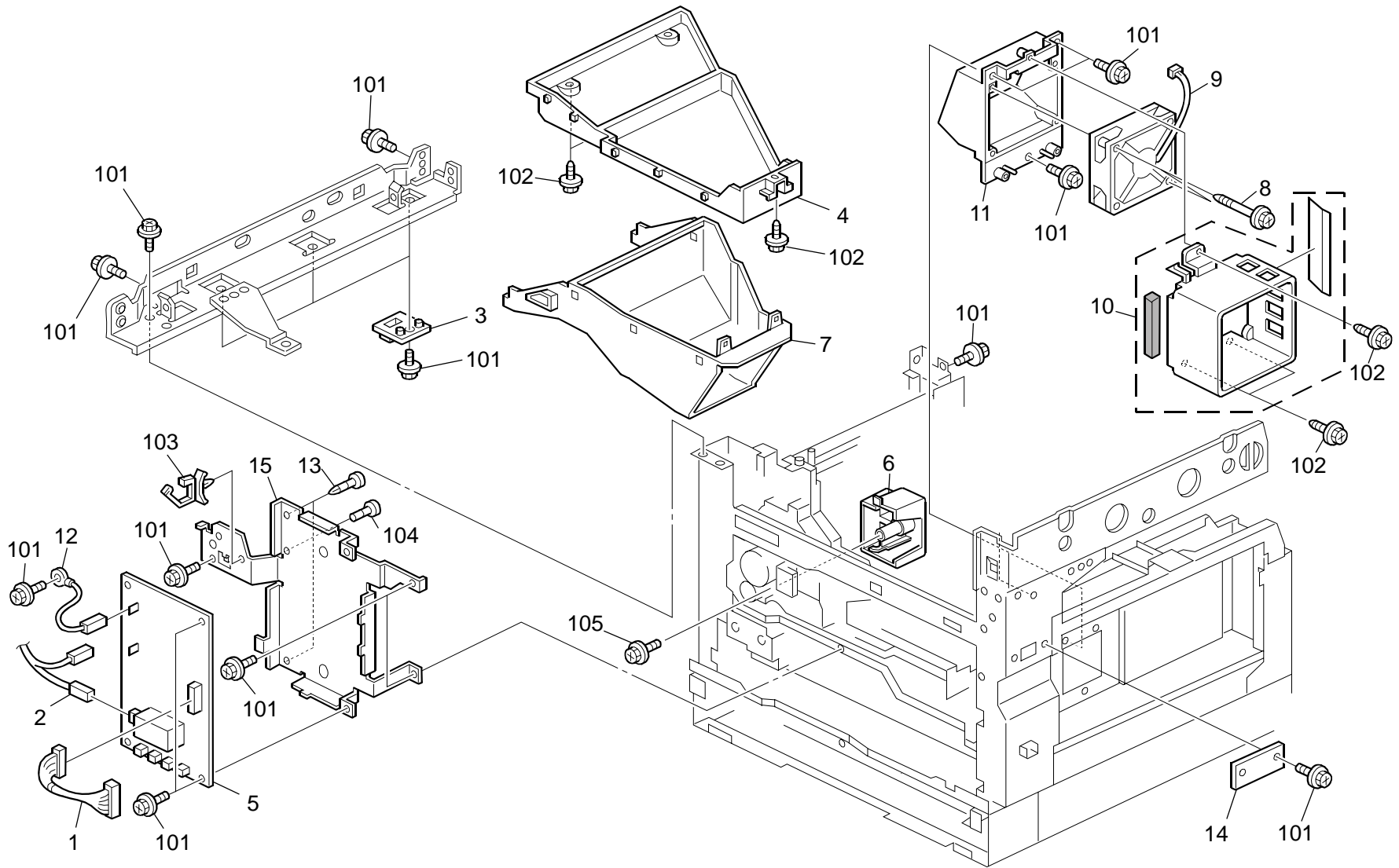


18.Electrical Section 1 (D096)

Index No.	Part No.	Description	Q'ty Per Assembly
1	B121 5208	Harness - Ground Wire Scanner	1
2	B121 5822	Guide Mylar	1
3	B245 5222	Harness - Scanner	1
4	B121 5240	Harness - Document Feeder	1
5	B039 5831	ADF Plug Bracket	1
6	B121 5206	Harness - Density Sensor	1
7	AA14 3592	Screw - M4x6	1
8	B121 5215	Harness - Paper End Sensor No.1	1
9	D096 5101	PCB:BICU (NA/EU)	1
9	D096 5103	PCB:BICU (ASIA/TWN)	1
10	B121 5810	BICU Bracket	1
11	B243 5261	Harness - Key Counter	1
11	B243 5262	Harness - Key Counter Lan	1
12	B243 5218	Harness - AC Fusing NA	1
12	B243 5217	Harness - AC Fusing EU	1
12	B243 5214	Harness - AC Fusing TWN	1
13	AZ23 0200	Power Supply Unit (100V)	1
13	AZ23 0219	Power Supply Unit - 230V	1
14	B243 5018	Choke Coil - B2435018 (230V)	1
15	B243 5228	Harness - AC Dehumidifier EXP	1
16	B243 5226	Harness - AC Switch 187	1
17	B243 5230	Harness - Power Supply Unit	1
18	B121 5742	Power Supply Cord Stopper NA Ass'y	1
18	B039 5743	Power Supply Cord - 230V	1
19	B121 5825	Power Supply Cord Bracket	1
20	B121 5200	Harness - Scanner Motor	1
21	B243 5203	Harness - Main Motor	1
22	B243 5231	Harness - High Voltage	1
23	B121 5212	Harness - Manual Feed	1
24	B121 5220	Harness - HPS	1
25	B121 5204	Harness - Discharge Lamp	1

Index No.	Part No.	Description	Q'ty Per Assembly
101	0451 3008N	Tapping Screw - M3x8	
102	0451 3006N	Tapping Screw - M3x6	
103	1105 0488	Harness Clamp	
104	1105 0487	Harness Clamp	
105	1105 0518	Edge Saddle - LES-1010	
106	1204 2608	Rocker Switch:Sddje33900	
107	1107 0391	Fuse - 5A 125V	
108	1107 0629	Fuse: Ceramic Case:15A 125V	
109	1407 5299	RAM:FM1608-120-P	

19.Electrical Section 2 (D096)

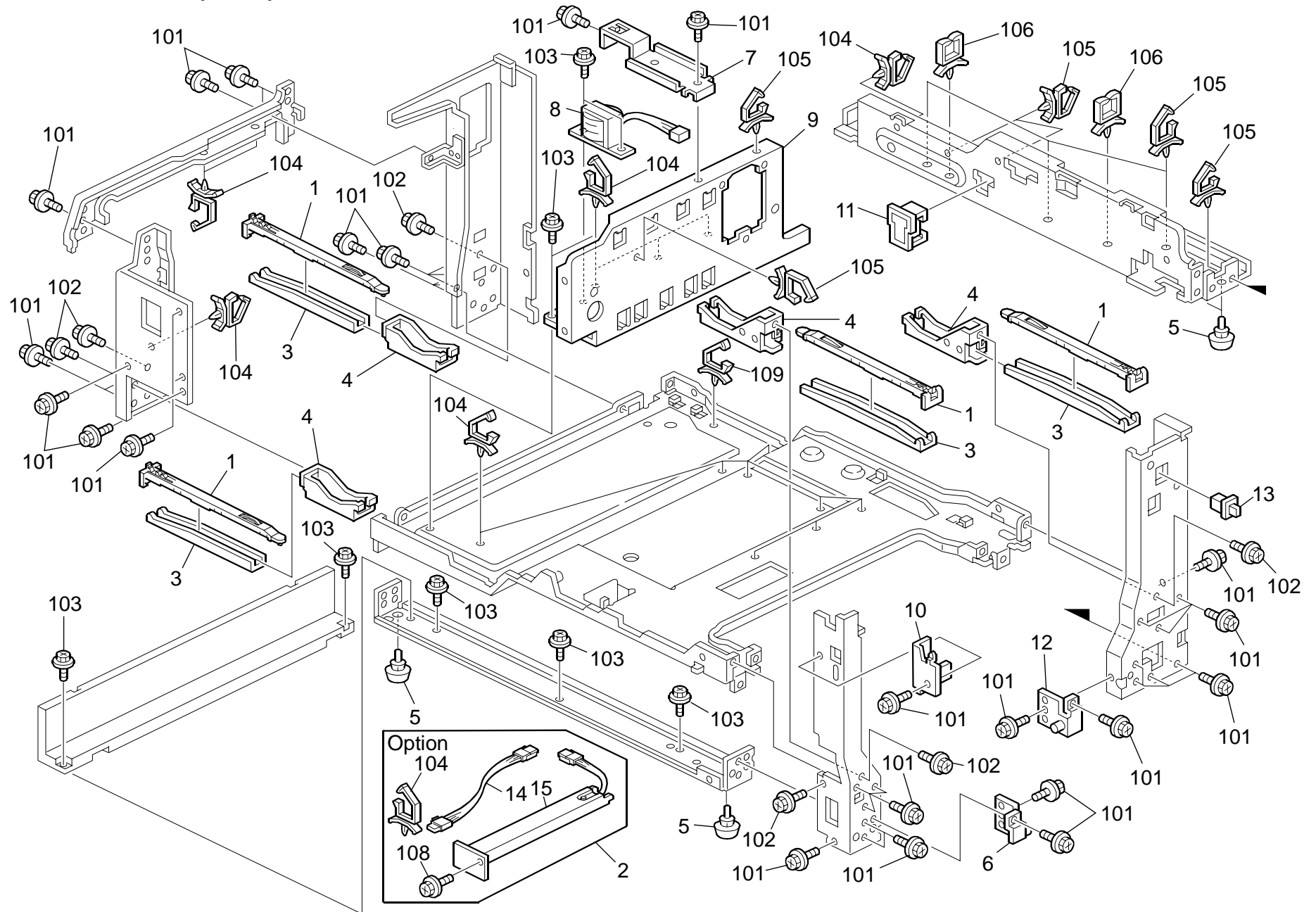


19. Electrical Section 2 (D096)

Index No.	Part No.	Description	Q'ty Per Assembly
1	B243 5231	Harness - High Voltage	1
2	B243 5233	Harness - High Voltage Line C/T	1
3	B039 1073	Right Door Stopper	3
4	B121 1110	Upper Main Duct	1
5	AZ32 0152	Power Pack BCT	1
6	B121 1112	Frame Duct	1
7	B121 1108	Lower Main Duct Ass'y	1
8	B259 1119	Tapping Screw:M3x33	2
9	B259 1106	Fan Motor - MM80	1
10	B121 1107	Exhaust Duct	1
11	B121 1109	Left Duct Ass'y	1
12	B243 5232	Harness - High Voltage Line B	1
13	G020 5871	Spacer - KGLS-12RF	2
14	B039 5887	Heater Switch Cover	1
15	B121 5841	Bct Power Pack Bracket	1

Index No.	Part No.	Description	Q'ty Per Assembly
101	0451 3006N	Tapping Screw - 3x6	
102	0450 3008N	Tapping Screw - M3x8	
103	1105 0487	Harness Clamp	
104	1105 0499	Support Spacer - M3x29	
105	0450 3010N	Tapping Screw - M3x10	

20.Frame Section (D096)



20.Frame Section (D096)

Index No.	Part No.	Description	Q'ty Per Assembly
1	B276 1073	Cover:Grip	4
2	B259 6057	Heater:Paper Feed:No.1:NA:Ass'y	1
2	B259 6058	Heater:Paper Feed:No.1:EU:Ass'y	1
3	B276 1072	Grip	4
4	B121 1070	Grip Bracket 2	4
5	AH01 0010	Rubber Foot:H5	4
6	B245 1053	Shaft:Door:Right Front:Ass'y	1
7	B121 5802	Guide Plate Bracket	1
8	B243 5018	Choke Coil - B2435018	1
9	B121 5801	Power Supply Unit Bracket	1
10	B121 4201	Front Heater Bracket	1
11	B180 2801	Holder:Paper Tray	1
12	B259 1058	Shaft:Door:Right Rear:Ass'y	1
13	G020 5626	Push Switch	1
14	B243 5260	Harness - AC Dehumidifier	1
15	B039 2782	Tray Heater (120V)	1
15	B039 2783	Tray Heater (230V)	1

Index No.	Part No.	Description	Q'ty Per Assembly
101	0451 3006N	Tapping Screw - 3x6	
102	0451 3008N	Tapping Screw - M3x8	
103	0454 3006Q	Tapping Screw With Washer - M3x6	
104	1105 0511	Harness Clamp - LWS-0306ZC	
105	1105 0487	Harness Clamp	
106	1105 0197	Wire Saddle	
107	0450 3008N	Tapping Screw - M3x8	
108	0950 3006N	Screw:Spring Washer:M3x6	
109	1105 0488	Harness Clamp	

21.BICU Board (D096)

CAPACITOR

SYMBOL NO.	INDEX NO.	SYMBOL NO.	INDEX NO.	SYMBOL NO.	INDEX NO.	SYMBOL NO.	INDEX NO.	SYMBOL NO.	INDEX NO.	SYMBOL NO.	INDEX NO.	SYMBOL NO.	INDEX NO.
C1	185	---	---	C21	185	---	---	C41	182	C51	185	C61	183
C2	185	C12	185	---	---	C32	185	---	---	C52	185	C62	178
C3	172	---	---	---	---	---	---	C43	185	C53	185	C63	183
C4	185	---	---	---	---	C34	185	C44	185	C54	185	C64	182
---	---	---	---	---	---	---	---	C45	185	C55	185	C65	187
---	---	---	---	---	---	---	---	C46	185	C56	185	C66	187
C7	172	C17	185	---	---	C37	182	C47	185	C57	185	C67	182
C8	182	---	---	C28	185	---	---	C48	182	C58	185	---	---
---	---	---	---	---	---	C39	199	C49	185	C59	178	---	---
---	---	---	---	---	---	C40	182	C50	185	C60	178	---	---

CAPACITOR

SYMBOL NO.	INDEX NO.	SYMBOL NO.	INDEX NO.	SYMBOL NO.	INDEX NO.	SYMBOL NO.	INDEX NO.	SYMBOL NO.	INDEX NO.	SYMBOL NO.	INDEX NO.	SYMBOL NO.	INDEX NO.
---	---	C81	185	C91	181	C101	185	C111	182	C121	182	C131	182
---	---	---	---	C92	187	C102	182	C112	173	---	---	C132	182
C73	199	---	---	C93	185	C103	182	C113	173	---	---	C133	185
---	---	C84	185	C94	185	C104	179	---	---	---	---	C134	185
C75	182	---	---	C95	185	---	---	C115	185	C125	187	C135	185
C76	187	---	---	C96	185	C106	187	C116	185	C126	187	C136	185
C77	187	C87	185	C97	182	C107	182	C117	187	C127	187	C137	178
C78	185	C88	182	C98	185	C108	187	C118	187	C128	180	C138	185
---	---	C89	185	C99	185	C109	182	C119	187	C129	180	C139	201
C80	175	C90	182	C100	185	C110	182	---	---	C130	187	---	---

21.BICU Board (D096)

CAPACITOR

SYMBOL NO.	INDEX NO.	SYMBOL NO.	INDEX NO.	SYMBOL NO.	INDEX NO.	SYMBOL NO.	INDEX NO.	SYMBOL NO.	INDEX NO.	SYMBOL NO.	INDEX NO.	SYMBOL NO.	INDEX NO.
C141	182	C151	187	C161	187	C171	184	C181	179	C191	178	---	---
---	---	C152	185	C162	182	C172	179	C182	179	---	---	C202	184
C143	187	C153	185	C163	182	C173	179	C183	179	C193	182	---	---
C144	187	C154	182	C164	187	C174	179	C184	244	C194	185	---	---
C145	182	C155	185	---	---	C175	243	C185	182	C195	182	C205	183
C146	179	C156	179	C166	185	C176	179	C186	177	---	---	C206	183
C147	179	C157	187	---	---	C177	179	C187	179	---	---	---	---
C148	182	C158	182	C168	187	C178	179	---	---	---	---	C208	180
C149	187	C159	187	C169	185	C179	179	C189	178	C199	182	---	---
C150	182	C160	182	C170	185	C180	179	C190	182	C200	185	C210	182

CAPACITOR

SYMBOL NO.	INDEX NO.	SYMBOL NO.	INDEX NO.	SYMBOL NO.	INDEX NO.	SYMBOL NO.	INDEX NO.	SYMBOL NO.	INDEX NO.	SYMBOL NO.	INDEX NO.	SYMBOL NO.	INDEX NO.
C211	178	---	---	---	---	C241	179	C251	179	C261	185	---	---
C212	178	---	---	C232	182	C242	244	C252	182	C262	187	C272	187
C213	178	C223	185	C233	182	C243	186	C253	179	C263	187	C273	187
C214	179	---	---	C234	182	C244	179	---	---	C264	187	C274	187
C215	182	---	---	C235	182	---	---	---	---	C265	185	C275	179
C216	185	---	---	C236	185	C246	178	---	---	C266	185	C276	182
---	---	---	---	C237	185	C247	178	C257	182	C267	185	---	---
---	---	---	---	C238	185	C248	178	C258	179	C268	173	C278	173
C219	185	C229	201	---	---	C249	178	---	---	C269	172	C279	182
C220	182	C230	201	C240	185	C250	178	C260	185	C270	185	C280	182

21.BICU Board (D096)

CAPACITOR

SYMBOL NO.	INDEX NO.	SYMBOL NO.	INDEX NO.	SYMBOL NO.	INDEX NO.	SYMBOL NO.	INDEX NO.	SYMBOL NO.	INDEX NO.	SYMBOL NO.	INDEX NO.	SYMBOL NO.	INDEX NO.
C281	182	C291	187	C301	187	C311	179	C321	179	C331	179	---	---
---	---	C292	179	C302	179	C312	179	C322	179	C332	179	---	---
C283	185	C293	181	C303	179	C313	179	C323	179	C333	187	---	---
---	---	C294	179	C304	182	C314	179	C324	182	C334	182	C344	179
---	---	C295	182	C305	185	C315	176	C325	185	C335	187	---	---
C286	184	C296	187	C306	179	C316	182	C326	182	C336	182	---	---
C287	184	C297	182	C307	179	C317	179	---	---	---	---	C347	179
C288	182	C298	179	C308	179	C318	179	---	---	C338	182	C348	179
C289	185	C299	182	C309	179	C319	179	C329	185	---	---	C349	200
C290	182	C300	179	C310	179	C320	179	C330	182	---	---	C350	200

CAPACITOR

SYMBOL NO.	INDEX NO.	SYMBOL NO.	INDEX NO.	SYMBOL NO.	INDEX NO.	SYMBOL NO.	INDEX NO.	SYMBOL NO.	INDEX NO.	SYMBOL NO.	INDEX NO.	SYMBOL NO.	INDEX NO.
C351	185	C361	179	C371	185	C381	182	---	---	C401	174	C411	174
---	---	C362	179	C372	185	---	---	C392	182	C402	246	C412	174
C353	185	C363	182	C373	182	C383	182	---	---	C403	174	C413	246
C354	185	---	---	C374	185	C384	182	C394	246	C404	186	C414	246
---	---	---	---	C375	182	---	---	C395	245	C405	246	C415	246
C356	182	C366	185	C376	179	C386	182	---	---	C406	174	---	---
C357	185	---	---	---	---	C387	182	C397	175	C407	245	---	---
C358	179	---	---	---	---	C388	185	C398	246	C408	246	C418	246
C359	182	---	---	C379	185	C389	175	C399	174	C409	174	C419	174
---	---	C370	182	---	---	---	---	C400	246	C410	174	C420	246

21.BICU Board (D096)

CAPACITOR

SYMBOL NO.	INDEX NO.
C421	174
C422	174
C423	246
C424	174
C425	246
---	---
---	---
---	---
C429	179
C430	185

SYMBOL NO.	INDEX NO.
C431	182
C432	174
C433	175
C434	175
C435	182
C436	174
---	---
---	---
C439	174
C440	174

SYMBOL NO.	INDEX NO.
---	---
---	---
---	---
C444	185
C445	185
---	---
---	---
---	---
---	---
---	---

SYMBOL NO.	INDEX NO.
---	---
---	---
---	---
C614	245

CONNECTOR

SYMBOL NO.	INDEX NO.
CN101	122
CN102	117
---	---
CN104	123
CN105	113
---	---
CN107	121
---	---
CN109	114
---	---

SYMBOL NO.	INDEX NO.
CN111	119
CN112	113
---	---
CN114	108
CN115	109
CN116	115
CN117	110
CN118	102
---	---
CN120	107

SYMBOL NO.	INDEX NO.
CN121	101
CN122	118
CN123	116
CN124	120
CN125	102
CN126	109
---	---
CN128	112
---	---
CN130	105

CONNECTOR

SYMBOL NO.	INDEX NO.
---	---
CN132	104
---	---
CN134	108
---	---
CN136	104
CN137	111
CN138	103
---	---
---	---

SYMBOL NO.	INDEX NO.
CN141	106

DIODE

SYMBOL NO.	INDEX NO.
D1	135
D2	135
D3	133
D4	135
D5	136
D6	136
D7	135
D8	136
D9	135
D10	135

SYMBOL NO.	INDEX NO.
D11	135
D12	135
D13	135
---	---
D15	135
D16	135
D17	135
---	---
D19	135

FIL

SYMBOL NO.	INDEX NO.
FIL1	189
FIL2	188
FIL3	171
FIL4	171
---	---
---	---
FIL7	191
FIL8	190

IC

SYMBOL NO.	INDEX NO.
---	---
IC2	157
IC3	146
IC4	149
---	---
IC6	154
---	---
---	---
IC9	248
IC10	142

SYMBOL NO.	INDEX NO.
IC11	138
IC12	151
IC13	3
IC14	247
IC15	142
IC16	139
IC17	247
IC18	139
IC19	158
---	---

21.BICU Board (D096)

IC

SYMBOL NO.	INDEX NO.
IC21	143
IC22	138
IC23	139
IC24	145
IC25	148
---	---
IC26	138
IC27	2
IC28	141
IC29	150
IC30	146

SYMBOL NO.	INDEX NO.
IC31	1
IC32	140
IC33	141
IC34	147
---	---
---	---
---	---
IC38	249
---	---
IC40	159

SYMBOL NO.	INDEX NO.
IC41	144
IC42	144

LED

SYMBOL NO.	INDEX NO.
---	---
LED2	137

OSC

SYMBOL NO.	INDEX NO.
OSC1	160

Q

SYMBOL NO.	INDEX NO.
Q1	124
Q2	130
Q3	131
Q4	127
Q5	125
---	---
Q6	125
Q7	126
Q8	130
Q9	130
Q10	129

SYMBOL NO.	INDEX NO.
Q11	130
Q12	128

RESISTOR

SYMBOL NO.	INDEX NO.
R1	213
R2	216
---	---
R4	212
R5	218
---	---
R6	218
R7	213
R8	222
R9	226
R10	214

RESISTOR

SYMBOL NO.	INDEX NO.
R11	214
R12	215
R13	215
R14	229
R15	229
---	---
R17	213
R18	213
---	---
R20	213

SYMBOL NO.	INDEX NO.
R21	213
R22	214
R23	219
R24	226
R25	226
---	---
R26	226
R27	219
R28	219
R29	223
R30	226

SYMBOL NO.	INDEX NO.
R31	214
R32	218
R33	218
R34	212
R35	226
---	---
R36	218
R37	229
R38	226
R39	222
---	---

SYMBOL NO.	INDEX NO.
R41	214
R42	214
R43	221
R44	221
R45	221
---	---
R46	221
R47	229
R48	214
R49	213
---	---

SYMBOL NO.	INDEX NO.
R51	213
---	---
R53	214
---	---
R55	213
---	---
R56	214
R57	213
R58	235
R59	234
---	---

SYMBOL NO.	INDEX NO.
---	---
R62	219
R63	237
R64	239
R65	228
---	---
R66	226
R67	237
R68	242
R69	238
R70	239

SYMBOL NO.	INDEX NO.
R71	219
R72	214
---	---
R74	222
R75	213
---	---
R76	235
R77	234
R78	213
R79	218
R80	229

21.BICU Board (D096)

RESISTOR

SYMBOL NO.	INDEX NO.	SYMBOL NO.	INDEX NO.	SYMBOL NO.	INDEX NO.	SYMBOL NO.	INDEX NO.	SYMBOL NO.	INDEX NO.	SYMBOL NO.	INDEX NO.	SYMBOL NO.	INDEX NO.
R81	221	R91	214	R101	223	R111	213	R121	226	---	---	R141	226
R82	213	R92	214	R102	221	R112	213	R122	213	R132	214	R142	214
R83	221	R93	214	R103	215	R113	213	R123	214	R133	229	R143	222
R84	207	R94	214	R104	229	R114	213	R124	214	R134	229	R144	222
R85	214	R95	214	R105	214	R115	213	---	---	R135	221	R145	214
R86	221	R96	213	R106	213	R116	213	---	---	R136	221	R146	214
R87	221	R97	214	R107	214	R117	213	R127	215	R137	215	R147	226
R88	221	R98	223	R108	227	R118	214	---	---	R138	213	R148	219
R89	214	R99	226	R109	215	R119	213	R129	214	R139	223	R149	219
R90	213	R100	226	R110	218	---	---	R130	221	R140	226	R150	221

RESISTOR

SYMBOL NO.	INDEX NO.	SYMBOL NO.	INDEX NO.	SYMBOL NO.	INDEX NO.	SYMBOL NO.	INDEX NO.	SYMBOL NO.	INDEX NO.	SYMBOL NO.	INDEX NO.	SYMBOL NO.	INDEX NO.
---	---	R161	198	---	---	R181	214	R191	224	R201	221	R211	163
---	---	R162	208	R172	222	R182	221	R192	214	R202	221	R212	161
---	---	R163	209	R173	214	R183	214	R193	221	R203	222	---	---
R154	206	R164	209	R174	221	---	---	R194	222	R204	221	---	---
R155	219	R165	221	R175	229	R185	221	R195	214	R205	213	---	---
R156	219	R166	214	R176	214	R186	214	R196	221	R206	213	R216	221
R157	226	---	---	R177	214	R187	229	R197	221	R207	213	R217	221
R158	226	R168	221	---	---	R188	220	R198	221	R208	240	R218	221
R159	214	R169	229	R179	162	R189	221	R199	229	R209	236	R219	221
R160	214	---	---	R180	221	R190	216	R200	221	R210	233	R220	213

21.BICU Board (D096)

RESISTOR

SYMBOL NO.	INDEX NO.	SYMBOL NO.	INDEX NO.	SYMBOL NO.	INDEX NO.	SYMBOL NO.	INDEX NO.	SYMBOL NO.	INDEX NO.	SYMBOL NO.	INDEX NO.	SYMBOL NO.	INDEX NO.
R221	217	---	---	R241	221	---	---	R261	223	---	---	R281	221
R222	230	---	---	R242	221	R252	221	R262	213	R272	213	R284	213
---	---	---	---	R243	229	R253	214	---	---	R273	226	R285	221
R224	221	R234	221	R244	221	---	---	R264	231	R274	226		
R225	209	R235	213	R245	229	R255	214	R265	214	R275	214	R286	221
												R287	222
R226	209	R236	214	R246	214	R256	213	R266	241	R276	226	R288	214
R227	217	R237	221	R247	229	R257	213	R267	213	---	---	R290	198
R228	230	R238	221	R248	221	R258	214	R268	204	---	---	R291	232
R229	214	R239	221	R249	214	R259	214	---	---	---	---	R292	232
R230	214	R240	221	R250	226	R260	218	R270	214	R280	214	R293	232

RESISTOR

SYMBOL NO.	INDEX NO.	SYMBOL NO.	INDEX NO.	SYMBOL NO.	INDEX NO.	SYMBOL NO.	INDEX NO.	SYMBOL NO.	INDEX NO.	SYMBOL NO.	INDEX NO.	SYMBOL NO.	INDEX NO.
---	---	R301	221	---	---	---	---	R331	198	R341	197	R351	205
---	---	R302	213	---	---	R322	214	R332	213	R342	197	R352	206
---	---	R303	221	R313	215	R323	226	R333	214	R343	209	R353	206
R294	213	R304	221	R314	215	R324	226	R334	229	R344	221	R354	206
R295	214	R305	215	R315	221	R325	229	R335	213	R345	214	R355	206
R296	226	R306	214	R316	221	R326	226	R336	229	R346	198	---	---
R297	214	---	---	R317	221	R327	214	R337	214	---	---	R357	211
R298	229	R308	221	---	---	R328	214	R338	226	---	---	R358	202
R299	162	R309	221	R319	232	R329	229	R339	213	R349	198	R359	206
R300	213	---	---	R320	232	R330	229	R340	229	R350	208	R360	207

21.BICU Board (D096)

RESISTOR

SYMBOL NO.	INDEX NO.
R361	207
R362	203
R363	206
R364	214
R365	225
---	---
---	---
---	---
R369	232
R370	198

SYMBOL NO.	INDEX NO.
R371	205
R372	232
---	---
R374	229
R375	229
---	---
R376	229
R377	210
R378	213
R379	214
---	---

SYMBOL NO.	INDEX NO.
---	---
---	---
R383	214
R384	214

REG

SYMBOL NO.	INDEX NO.
REG1	155
REG2	152
REG3	156
REG4	153

RN

SYMBOL NO.	INDEX NO.
---	---
---	---
RN3	167
RN4	167
RN5	167
---	---
RN6	167
RN7	167
RN8	167
RN9	167
RN10	167

SYMBOL NO.	INDEX NO.
RN11	167
RN12	167
RN13	167
RN14	167
RN15	167
---	---
RN16	169
RN17	194
RN18	194
RN19	167
RN20	170

SYMBOL NO.	INDEX NO.
RN21	167
RN22	167
RN23	167
RN24	167
---	---
---	---
RN26	170
RN27	166
RN28	168
RN29	194
RN30	167

RN

SYMBOL NO.	INDEX NO.
RN31	170
RN32	194
RN33	194
RN34	194
RN35	165
---	---
---	---
---	---
---	---
---	---

SYMBOL NO.	INDEX NO.
RN41	168
RN42	168
RN43	168
RN44	193
RN45	193
---	---
RN46	194
---	---
RN48	168
RN49	194
RN50	194

SYMBOL NO.	INDEX NO.
RN51	166
RN52	168
RN53	168
RN54	168
---	---
---	---
RN56	168
RN57	168
RN58	168
---	---
---	---

SYMBOL NO.	INDEX NO.
RN61	195
RN62	194
---	---
RN64	196
RN65	168
---	---
RN66	196
RN67	192
RN68	196
RN69	192
RN70	194

SYMBOL NO.	INDEX NO.
RN71	165
---	---
RN73	167
RN74	167
RN75	170
---	---
RN76	196
RN77	196
RN78	196
RN79	196
RN80	196

SYMBOL NO.	INDEX NO.
RN81	192
RN82	192
RN83	192
RN84	192
RN85	192
---	---
RN86	164
RN87	168
RN88	169
RN89	169
RN90	194

SYMBOL NO.	INDEX NO.
RN91	167
RN92	167
RN93	193
RN94	167
RN95	167
---	---
RN96	168
RN97	194
RN98	194
RN99	193
RN100	169

21.BICU Board (D096)

RN

SYMBOL NO.	INDEX NO.
RN101	167
RN102	167
---	---
RN104	194
RN105	165
RN106	165
RN107	167
RN108	167
RN109	169
RN110	169

SYMBOL NO.	INDEX NO.
RN111	167
RN112	167
RN113	168
RN114	168
RN115	192
RN116	193
RN117	168
RN118	192
RN119	192
RN120	193

SYMBOL NO.	INDEX NO.
RN121	168
---	---
RN123	167
---	---
---	---
---	---
RN127	194
RN128	193
RN129	193

ZD

SYMBOL NO.	INDEX NO.
ZD1	134
ZD2	134
ZD3	132

21.BICU Board (D096)

Index No.	Part No.	Description	Q'ty Per Assembly
*	D096 5101	PCB:BICU (NA/EU)	1
*	D096 5103	PCB:BICU (ASIA/TWN)	1
1	B040 5506	IC:IMAC_K:RF5C789	1
2	B121 5501	IC:Scratch:KS6M2U1651CBP	1
3	B121 5502	LSI:TRIO:UPD65945GD-103-LML-A	1

Index No.	Part No.	Description	Q'ty Per Assembly
101	1102 4201	Connector - 2P	
102	1102 4203	CT Header - 4P	
103	1102 4205	Connector:292132-6	
104	1102 4207	Connector - 8P	
105	1102 5301	Connector	
106	1102 5302	Connector - 3P	
107	1102 5303	3.5:Connector:ST:4P	
108	1102 6295	Connector:53324-0260	
109	1102 6297	Connector:53324-0460	
110	1102 6299	Connector:53324-0660	
111	1102 6396	Connector:53313-1665	
112	1102 8545	Connector - 1-353297-6	
113	1102 8655	Connector - 9P 353297-9	
114	1102 8661	Connector - FCN-564P068-G/SC-4V	
115	1102 9108	Connector - 353297-3	
116	1102 9109	Connector - 353297-4	
117	1102 9110	Connector - 353297-6	
118	1102 9111	Connector - 353297-7	
119	1102 9112	Connector - 353297-8	
120	1102 9114	Connector - 353297-1	
121	1102 9132	Connector - 353303-7	
122	1103 3179	Connector:FH12-50S-0.5SV(89)	
123	1103 4777	Connector:00 6216 005 808+	
124	1400 0702	Transistor - DTD143EK	
125	1400 0789	Transistor - IMT17	
126	1400 0901	Transistor - DTC144VUA	
127	1400 0953	Transistor:2SC4081S	
128	1400 0962	Transistor - 2SB1412	
129	1400 1253	Transistor:2SA1979UF	
130	1400 1174	Transistor - SRC1219UF	
131	1401 1414	FET:SI3433BDV-E3	
132	1402 1511	Zenerdiode - MTZJ13B	
133	1402 1565	Diode:RB521S-30	
134	1402 1662	Diode:PTZ6.2B	
135	1402 1995	Diode:SDS511	

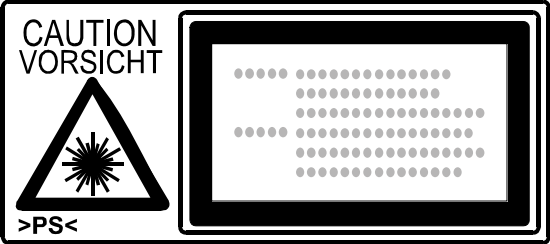
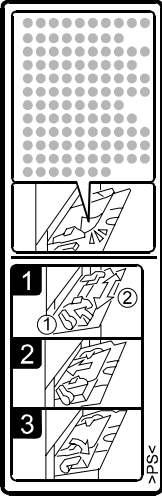
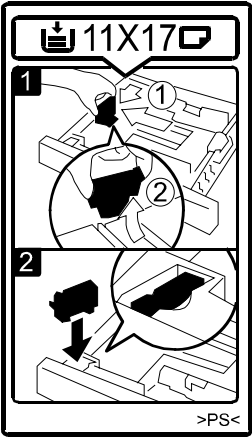
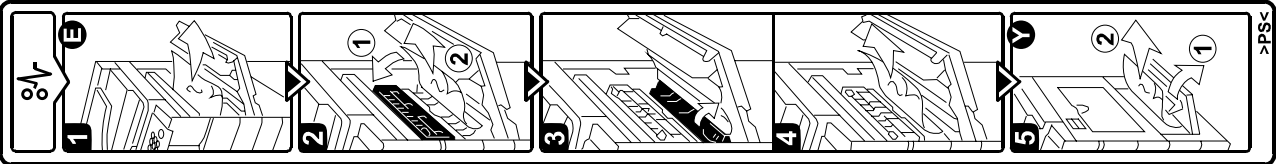

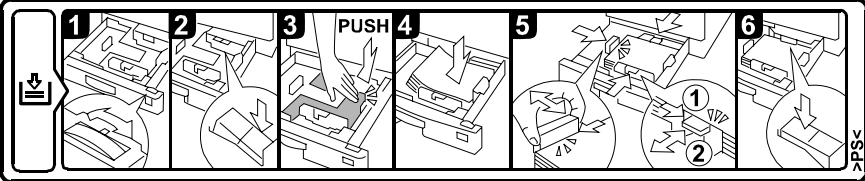
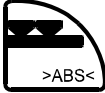
Index No.	Part No.	Description	Q'ty Per Assembly
136	1402 1932	Diode:SDS142WMF	
137	1403 0996	LED:SML-310VT	
138	1407 2187	TTLIC:SN74LS07NS	
139	1407 2219	IC - TD62003AP	
140	1104 0588	Dip Socket - 28P	
141	1407 5353	IC - SN74LV244APW	
142	1407 5368	IC - 74LVC245A TSSOP	
143	1407 5376	CMOS Logic:SN74LV32APW	
144	1407 5382	CMOS Logic - SN74LV373APW	
145	1407 5454	IC - SN74LV86APW	
146	1407 5469	CMOS Logic:SN74LV07APW	
147	1407 5555	IC - SN74AHCT126PW	
148	1407 6032	IC - SN74LV161APW	
149	1407 6525	CPU - HD6412320VF25V	
150	1407 6584	IC - STK672-400B-E	
151	1408 1204	IC - TA8083P	
152	1408 2537	Series Regulator:KIA7805API/P	
153	1408 2540	Series Regulator:KIA7812API/P	
154	1408 1550	Operational Amplifier:LM2902PW	
155	1408 1669	Series Regulator:R1170H331B-F	
156	1408 1850	Series Regulator:R1170H181B-F	
157	1408 1911	Comparator - LM2903PW	
158	1408 1929	IC - R3112Q441A	
159	1408 2316	IC - R3112Q381A-FA	
160	1503 0993	Crystal Oscillator- 14.7456MHz	
161	1600 1334	Resistor-220Ω±5%2W	
162	1600 1682	Resistor - 680 Ω ±5% 2W	
163	1601 5492	Resistor - 47Ω ±5% 2W	
164	1609 0094	Resistor - 180Ω ±5% 1/16W	
165	1601 7877	Resistor Array 4.7K Ω ±5% 1/32W	
166	1601 7886	Resistor Array 3.3K Ω ±5% 1/32W	
167	1601 7887	Resistor Array:10K Ω:±5%:1/16W:4Number	
168	1601 7898	Resistor Array:33 Ω:±5%:1/16W:4Number	
169	1601 7943	Resistor Array:68 Ω:±5%:1/16W:4Number	
170	1601 7959	Resistor Array:1K Ω:±5%:1/16W:4Number	

Index No.	Part No.	Description	Q'ty Per Assembly
171	1602 7026	Capacitor - 1000pF ±20% 100V	
172	1604 5524	Capacitor - 100μF±20% 50V	
173	1604 5526	Capacitor - 47μF±20% 10V	
174	1605 1137	Capacitor - 470pF ±10% 50V	
175	1605 1148	Capacitor:0.1μF:+80-20%:50V	
176	1605 1166	Capacitor - 0.015μF±10% 50V	
177	1605 1190	Resistor - 0.022μF±10% 50V	
178	1605 1201	Capacitor - 12pF ±5% 50V	
179	1605 1206	Capacitor:47pF:±5%:50V	
180	1605 1208	Capacitor:100pF:±5%:50V	
181	1605 1209	Capacitor - 150pF ±5% 50V	
182	1605 1221	Capacitor:0.1μF:+80-20%:16V	
183	1605 1293	Capacitor - 27pF±5%50V	
184	1605 1295	Capacitor:10μF:+80-20%:10V	
185	1605 1303	Capacitor:0.01μF:+80-20%:50V	
186	1605 1347	Capacitor:1μF:+80-20%:16V	
187	1605 1447	Capacitor:470pF:±5%:50V	
188	1607 0069	Filter:BL02RN2R1M2B	
189	1607 1002	Filter:NFE31PT222Z1E9B	
190	1607 1107	IC - LC0805L104M	
191	1607 1298	Filter - LCZ0805S224M7	
192	1609 0005	Resistor Array:33 Ω:±5%:1/16W:8Number	
193	1609 0006	Resistor Array:10K Ω:±5%:1/16W:8Number	
194	1609 0007	Resistor Array:68 Ω:±5%:1/16W:8Number	
195	1609 0019	Resistor:0 Ω:1608	
196	1609 0027	Resistor Array:100K Ω:±5%:1/16W:8Number	
197	1633 0000	Resistor:0Ω:2125	
198	1634 0000	Resistor:0Ω:1608	
199	1640 0101	Capacitor - 100μF10V	
200	1640 5470	Capacitor - 47μF±20% 50V	
201	1642 5100	Capacitor - 10μF±20% 50V	
202	1650 2472	Chip Resistor-4.7K	
203	1650 2620	Resistor - 62Ω ±5% 1/4W	
204	1650 3201	Resistor - 200Ω ±5% 1/8W	
205	1650 4102	Resistor:1K Ω:±5%:1/10W:1608	

Index No.	Part No.	Description	Q'ty Per Assembly
206	1650 4103	Resistor:10K Ω : \pm 5%:1/10W:1608	
207	1650 4104	Resistor:100K Ω : \pm 5%:1/10W:1608	
208	1650 4220	Chip Resistor - 22 Ω \pm 5% 1/10W	
209	1650 4330	Resistor:33 Ω : \pm 5%:1/10W:1608	
210	1650 4331	Resistor - 330 Ω \pm 5%1/10W	
211	1650 4472	Resistor:4.7K Ω : \pm 5%:1/10W:1608	
212	1650 5100	Resistor:10 Ω : \pm 5%:1/16W:1005	
213	1650 5102	Resistor:1K Ω : \pm 5%:1/16W:1005	
214	1650 5103	Resistor:10K Ω : \pm 5%:1/16W:1005	
215	1650 5104	Resistor:100K Ω : \pm 5%:1/16W:1005	
216	1650 5105	Resistor:1M Ω : \pm 5%:1/16W:1005	
217	1650 5203	Resistor - 20K Ω \pm 5% 1/16W	
218	1650 5222	Resistor:2.2K Ω : \pm 5%:1/16W:1005	
219	1650 5243	Resistor - 24K Ω \pm 5% 1/16W	
220	1650 5244	Resistor:240K Ω : \pm 5%:1/16W:1005	
221	1650 5330	Resistor:33 Ω : \pm 5%:1/16W:1005	
222	1650 5331	Resistor - 330 Ω \pm 5% 1/16W	
223	1650 5332	Resistor:3.3K Ω : \pm 5%:1/16W:1005	
224	1650 5391	Resistor - 390 Ω \pm 5% 1/16W	
225	1650 5470	Chip Resistor 47 Ω \pm 5% 1/16W	
226	1650 5472	Resistor:4.7K Ω : \pm 5%:1/16W:1005	
227	1650 5511	Resistor:510 Ω : \pm 5%:1/16W:1005	
228	1650 5624	Resistor - 620K Ω \pm 5% 1/16W	
229	1650 5680	Resistor:68 Ω : \pm 5%:1/16W:1005	
230	1650 5750	Chip Resistor:75 Ω : \pm 5%:1/16W	
231	1650 5751	Resistor:750 Ω : \pm 5%:1/16W:1005	
232	1655 0000	Resistor:0 Ω :1005	
233	1655 1001	Resistor:1K Ω : \pm 1%:1/16W:1005	
234	1655 1002	Resistor:10K Ω : \pm 1%:1/16W:1005	
235	1655 1003	Resistor:100K Ω : \pm 1%:1/16W:1005	
236	1655 1302	Resistor - 13K Ω \pm 1% 1/16W	
237	1655 1801	Resistor:1.8K Ω : \pm 1%:1/16W:1005	
238	1655 2551	Resistor - 2.55K Ω \pm 1% 1/16W	
239	1655 3301	Resistor:3.3K Ω : \pm 1%:1/16W:1005	
240	1655 6041	Resistor - 6.04K Ω \pm 1% 1/16W	

Index No.	Part No.	Description	Q'ty Per Assembly
241	1655 7871	Resistor - 7.87K Ω \pm 1% 1/16W	
242	1655 9101	Resistor:9.1K Ω : \pm 1%:1/16W:1005	
243	1660 2120	Capacitor - 12 pF \pm 5% 50V	
244	1660 2270	Capacitor - 27pF \pm 20% 35V	
245	1660 2470	Capacitor:47pF: \pm 5%:50V	
246	1660 8104	Capacitor:0.1 μ F:+80-20%:25V	
247	1902 0070	SRAM - 1M:X8:3.3V:G2	
248	1906 0094	Flash Memory - S29AL016D70TFI020	
249	1907 0096	SDRAM - 128M 2Mx16x4 133MHz	

22. Decal And Document (D096)

<p>1</p> 	<p>2</p> 	<p>3</p> 
<p>4</p> 		
<p>5</p> 	<p>6</p> 	<p>7</p> 

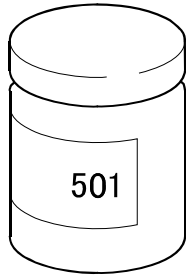
22.Decal And Document (D096)

Index No.	Part No.	Description	Q'ty Per Assembly
1	B283 1981	Decal:LD	1
2	B039 2633	Decal - By-pass Feed	1
3	B039 2720	Decal - Cassette Operation DLT	1
4	B039 4488	Jam Removal Decal	1
5	B039 2834	Decal - Exit Paper Feed	1
6	B039 2721	Decal - Cassette Operation	1
7	B238 2753	Decal - Side Fence	1

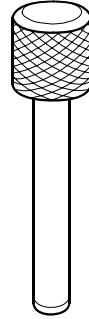
Index No.	Part No.	Description	Q'ty Per Assembly

23.Special Tools (D096)

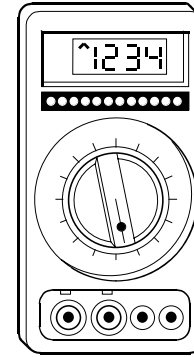
1



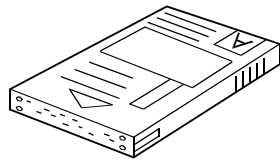
2



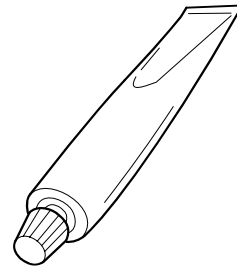
3



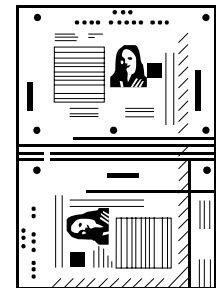
4



5



6



23.Special Tools (D096)

Index No.	Part No.	Description	Q'ty Per Assembly
1	5203 9502	Grease 501	1
2	A006 9104	Adjusting Scanner Pin (4pcs/set)	1
3	VSSM 9000	Digital Multimeter-FLUKE187	1
4	N803 6701	Flash Memory Card-4MB	1
5	A257 9300	Grease - Barrierta S552R	1
6	A292 9500	Test Chart - S5S (10 pcs/set)	1

Index No.	Part No.	Description	Q'ty Per Assembly

Parts Index

PM Parts Index

Section Name	Part No.	Description in Service Manual	Description in Parts Catalog	Q'ty Per Assembly	Page and Index No.
Paper Cassette (D096)	B039 2740	Paper Feed Roller	Paper Feed Roller	2	21 - 11
Paper Cassette (D096)	B039 2711	Friction Pad	Friction Pad	1	21 - 18
Paper Resistration (D096)	B039 3820	Transfer Roller	Transfer Roller	1	23 - 25
PCU 2 (D096)	B039 2335	Sepalation Pawl	Pickoff Pawl	1	31 - 14
PCU 2 (D096)	AD04 2059	Cleaning Blade	Cleaning Blade	1	31 - 15
PCU 2 (D096)	B039 9510	Drum	OPC Drum	1	31 - 17
PCU 2 (D096)	AD02 7018	Charge Roller	Roller:Charge:A3	1	31 - 21
PCU 2 (D096)	AD04 2058	Charge Cleaner Brush Roller	Charge Cleaner Brush Roller	1	31 - 22
Fusing Unit (D096)	B259 4015	Cleaning Roller	Fusing Cleaning Roller	1	35 - 6
Fusing Unit (D096)	AE04 4062	Hot Roller Stripper Pawls	Stripper Pawls	5	35 - 9
Fusing Unit (D096)	AE01 1113	Hot Roller	Hot Roller MM30	1	35 - 20
Fusing Unit (D096)	AE02 0150	Pressure Roller	Pressure Roller	1	35 - 22
Fusing Unit (D096)	G029 4174	Pressure-roller Bushing	Pressure Roller Bushing	2	35 - 27

Parts Index

Part No.	Description	Page and Index No.
D096 1422	Operation Sub-unit:Base:A:EU:Ass'y	9 - 2
D096 5101	PCB:BICU (NA/EU)	55 - *
D096 5101	PCB:BICU (NA/EU)	41 - 9
D096 5103	PCB:BICU (ASIA/TWN)	55 - *
D096 5103	PCB:BICU (ASIA/TWN)	41 - 9
D096 7410	Model Name Plate:GES (NA/ASIA)	7 - 16
D096 7413	Model Name Plate:LAN	7 - 16
D096 7420	Model Name Plate:GES (EU)	7 - 16
D096 7421	Model Name Plate:NSA (EU)	7 - 16
D096 7422	Model Name Plate:REX (EU)	7 - 16
D096 7426	Model Name Plate:INF (EU)	7 - 16
D096 7427	Model Name Plate:RIC	7 - 16

Part No.	Description	Page and Index No.
A006 9104	Adjusting Scanner Pin (4pcs/set)	61 - 2
A184 3420	Bottle Chuck	33 - 3
A184 3421	Chuck Shaft	33 - 4
A193 1705	Sheet:Photointerruptor	11 - 5
A232 2374	Spur	35 - 7
A232 3962	Spring Plate - Band Stopper	27 - 9
A250 1388	Spring	27 - 26
A250 1752	Exposure Glass	11 - 10
A250 1821	Heater - 9W (120V)	11 - 7
A250 1822	Heater - 9W (220V)	11 - 7
A250 2808	Stopper Base	21 - 21
A257 9300	Grease - Barrierta S552R	61 - 5
A267 2869	Gear - 16Z	21 - 12
A267 3440	Development Joint	29 - 2
A267 3556	Chuck Spring - Tonner Bottle	33 - 7
A292 9500	Test Chart - S5S (10 pcs/set)	61 - 6
B039 1068	ADF Bracket	11 - 18
B039 1073	Right Door Stopper	43 - 3
B039 1082	Door Switch Bracket	37 - 6
B039 1088	Sheet - Duct	17 - 5
B039 1090	Door Switch Lever - 1	37 - 16
B039 1092	Door Switch Lever - 3	37 - 14
B039 1093	Door Switch Lever - 4	37 - 13
B039 1094	Door Switch Lever - 5	37 - 11
B039 1095	Door Switch Lever - 6	37 - 10
B039 1096	Door Switch Lever - 7	37 - 8
B039 1098	Door Switch Spring	37 - 12
B039 1099	Door Switch Lever - 2	37 - 15
B039 1123	Door Switch Lever - 8	37 - 9
B039 1130	Development Sensor Bracket	23 - 20
B039 1141	Shaft - Paper Feed Frame	33 - 6
B039 1142	Housing - Paper Feed	25 - 8
B039 1144	Bushing - 8x16x9	39 - 7
B039 1145	Coupled Gear - 34/63Z (01)	39 - 14
B039 1146	Coupled Gear - 32/71Z (04)	39 - 15

Part No.	Description	Page and Index No.
B039 1148	Drum Shaft (02)	39 - 13
B039 1154	Coupled Gear - 37/97Z (05)	39 - 18
B039 1155	Gear/pulley - 61/34Z (11)	39 - 16
B039 1156	Coupled Gear - 20/49Z (12)	39 - 12
B039 1162	Timing Belt - 226XL	39 - 3
B039 1163	Pulley - 23Z	37 - 26
B039 1165	Coupled Gear - 49/59/38Z (08)	39 - 22
B039 1166	Gear - 37Z (07)	39 - 23
B039 1167	Gear - 22Z (09)	39 - 21
B039 1168	Gear - 32Z (10)	39 - 20
B039 1170	Gear - 63Z	39 - 5
B039 1173	Gear - 78Z (06)	39 - 19
B039 1186	Gear - 46Z	25 - 25
B039 1187	Gear - 30Z	25 - 24
B039 1191	Gear - 19Z	25 - 19
B039 1193	Bushing - By-pass Feed	25 - 16
B039 1199	Spring - By-pass Feed	25 - 14
B039 1302	Left Scanner Cover (Except for NA)	7 - 2
B039 1303	Rear Scanner Cover (Except for NA)	7 - 4
B039 1304	Right Scanner Cover (Except for NA)	7 - 9
B039 1309	Front Right Upper Cover	7 - 11
B039 1317	Rear Cover (Except for NA)	7 - 10
B039 1361	Magnet Catch	7 - 14
B039 1362	Main Switch Cover	7 - 23
B039 1364	Rivet - M7	7 - 20
B039 1365	Sheet - Operation Instructions	7 - 18
B039 1367	Rivet - M6	7 - 19
B039 1469	Ground Plate	9 - 5
B039 1658	Rear Scale Bracket	11 - 16
B039 1662	Front Scanner Frame	15 - 2
B039 1663	Rear Scanner Frame	15 - 1
B039 1666	Bracket - Operation Panel	11 - 12
B039 1668	Bracket - Stabilizer Harness	15 - 13
B039 1683	Tension Spring - Stepper Motor	15 - 17
B039 1692	Pulley - 37Z	15 - 12

Part No.	Description	Page and Index No.
B039 1694	Pulley - 37/41Z	15 - 10
B039 1695	Flange - Pulley	15 - 9
B039 1697	Timing Belt - 1058.25XL	15 - 7
B039 1699	Stepper Motor:MM42:2.9W	15 - 15
B039 1703	Pulley - 37Z	15 - 3
B039 1704	Spring - Timing Pulley	15 - 5
B039 1705	Bracket:Idler	15 - 4
B039 1710	Left Scanner Bracket	11 - 3
B039 1712	Right Scanner Bracket	11 - 14
B039 1758	Timing Belt Holder - Front	13 - 11
B039 1759	Timing Belt Holder - Rear	13 - 13
B039 1781	2nd Mirror Holder	13 - 2
B039 1784	Scanner Drive Belt	13 - 6
B039 1785	Scanner Drive Pulley	13 - 3
B039 1787	2nd Mirror	13 - 1
B039 1790	Tension Spring	13 - 8
B039 1905	Adjusting Plate	17 - 2
B039 1942	Cylindrical Lens Holder	17 - 10
B039 1953	2nd Mirror Holder	17 - 18
B039 1954	Holder - Sync Detector Mirror	17 - 11
B039 2272	Recycled Toner Coil	31 - 5
B039 2274	Recycled Toner Plate	31 - 7
B039 2276	Rear Bushing - Toner Coil	31 - 9
B039 2287	Charge Roller Spring	31 - 19
B039 2288	Cam - Cleaning Blade	31 - 16
B039 2292	Front Pressure Arm - Charge Roller	31 - 20
B039 2293	Pin - Front Pressure Arm	31 - 4
B039 2295	Rear Pressure Arm - Charge Roller	31 - 18
B039 2312	Shutter Spring	31 - 2
B039 2321	Front PCU Cover	31 - 6
B039 2329	Spacer - M3	31 - 24
B039 2335	Pickoff Pawl	31 - 14
B039 2343	Drum Shutter	31 - 3
B039 2350	Drum Holder	31 - 10
B039 2361	Front Side Plate - Drum	29 - 3

Part No.	Description	Page and Index No.
B039 2362	Drum Shutter Gear	29 - 5
B039 2367	Drum Shutter Spring	29 - 4
B039 2382	Quenching Lamp Terminal	33 - 14
B039 2558	Driven Roller	27 - 2
B039 2558	Driven Roller	23 - 17
B039 2558	Driven Roller	25 - 11
B039 2560	Registration Cleaning Mylar	23 - 15
B039 2567	Guide - Right Registration Roller	23 - 12
B039 2570	Registration Feeler	23 - 11
B039 2572	Guide - Left Registration Roller	23 - 16
B039 2575	Bracket - Registration Roller	23 - 1
B039 2578	Grounding Plate	33 - 11
B039 2585	Exit Guide Plate	25 - 7
B039 2587	Mylar - Exit Guide Plate	25 - 10
B039 2592	Lower Guide Plate - By-pass Feed	27 - 6
B039 2594	Upper Guide Plate - By-pass Feed	27 - 11
B039 2596	Friction Pad	27 - 8
B039 2610	Bracket - Paper End Sensor	27 - 19
B039 2611	Feeler - Paper End Sensor	27 - 21
B039 2619	By-pass Feed Table	19 - 14
B039 2620	Paper Guide - Extension	19 - 11
B039 2621	Paper Guide	19 - 12
B039 2628	Bottom Plate Pad	19 - 2
B039 2629	Stay - Tray Bottom Plate	19 - 10
B039 2630	Tray Bottom Plate	19 - 4
B039 2631	Front Side Fence	19 - 1
B039 2632	Rear Side Fence	19 - 3
B039 2633	Decal - By-pass Feed	59 - 2
B039 2633	Decal - By-pass Feed	19 - 17
B039 2637	Rack - Front Side Fence	19 - 6
B039 2638	Rack - Rear Side Fence	19 - 5
B039 2643	Link - By-pass Feed Table	19 - 16
B039 2645	Rotary Switch	19 - 9
B039 2651	Right Door Lever	27 - 25
B039 2653	Vertical Transport Guide	27 - 5

Part No.	Description	Page and Index No.
B039 2655	Vertical Transport Guide	27 - 4
B039 2658	Sponge - By-pass Feed	27 - 16
B039 2660	Band - Right Door	27 - 10
B039 2670	Right Door	27 - 3
B039 2701	Tray Bottom Plate	21 - 3
B039 2704	Front Stopper Lever	21 - 2
B039 2707	Spring Plate - Side Fence	21 - 4
B039 2711	Friction Pad	21 - 18
B039 2712	Ground Plate - Tray Bottom Plate	21 - 7
B039 2713	Spring - Friction Pad	21 - 19
B039 2720	Decal - Cassette Operation DLT	21 - 24
B039 2720	Decal - Cassette Operation DLT	59 - 3
B039 2721	Decal - Cassette Operation	21 - 25
B039 2721	Decal - Cassette Operation	59 - 6
B039 2724	Paper Size Detector - A4	21 - 20
B039 2727	Bushing - 8x12x10	21 - 16
B039 2730	Paper End Sensor	25 - 4
B039 2731	Side Fence - Rear	21 - 8
B039 2732	Spring - Paper Feed Roller	21 - 17
B039 2734	Side Fence - Front	21 - 5
B039 2736	Bracket - Paper End Sensor	25 - 3
B039 2739	Shaft - Joint	21 - 23
B039 2740	Paper Feed Roller	21 - 11
B039 2742	Ground Plate - Paper Feed Roller	21 - 14
B039 2754	Bracket - Paper Size Sensor	25 - 1
B039 2782	Tray Heater (120V)	45 - 15
B039 2783	Tray Heater (230V)	45 - 15
B039 2821	Rear Stopper Lever	21 - 9
B039 2823	Joint - Paper Feed Roller	21 - 15
B039 2829	Paper Size Detector - LT	21 - 20
B039 2834	Decal - Exit Paper Feed	25 - 9
B039 2834	Decal - Exit Paper Feed	59 - 5
B039 3060	Development Roller Gear	29 - 12
B039 3062	Idler Gear - 16Z	29 - 9
B039 3159	Case:Development Roller:Ass'y	29 - 7

Part No.	Description	Page and Index No.
B039 3245	Gear - 15Z	29 - 11
B039 3360	Cam - Handle	33 - 2
B039 3381	Cover:Toner Bottle:Ass'y	33 - 12
B039 3392	Guide Plate - Tonner Supply Unit	33 - 15
B039 3395	Ground Plate - Toner Supply Unit	33 - 17
B039 3820	Transfer Roller	23 - 25
B039 3863	Quenching Terminal Plate	23 - 32
B039 3864	Quenching Terminal Plate-front	23 - 35
B039 3865	Transfer Terminal Plate	23 - 36
B039 3866	Pressure Cover	23 - 30
B039 3867	Roller - Transfer Unit	23 - 31
B039 3870	Terminal - Transfer	33 - 10
B039 3891	ID Sensor Cover	23 - 27
B039 4102	Fusing Exit Guide	35 - 1
B039 4107	Fusing Exit Door	35 - 23
B039 4114	Rear Ground Plate	35 - 32
B039 4116	Ground Plate - Fusing Unit	37 - 18
B039 4117	Discharge Brush	35 - 31
B039 4118	Front Ground Plate	35 - 4
B039 4119	Fusing Grounding Harness	37 - 17
B039 4120	Thermostat	35 - 5
B039 4135	Pressure Roller Lever	35 - 25
B039 4168	Stripper Pawlsstopper	35 - 33
B039 4170	Stripper Pawls Roller	35 - 29
B039 4171	Gear - 41Z	35 - 18
B039 4459	Exit Roller Holder - Inner	37 - 24
B039 4473	Ring:Exit Roller	37 - 4
B039 4480	Stepped Screw - M5	27 - 15
B039 4488	Jam Removal Decal	59 - 4
B039 4488	Jam Removal Decal	27 - 1
B039 5743	Power Supply Cord - 230V	41 - 18
B039 5831	ADF Plug Bracket	41 - 5
B039 5887	Heater Switch Cover	43 - 14
B039 9510	OPC Drum	31 - 17
B040 5506	IC:IMAC_K:RF5C789	55 - 1

Part No.	Description	Page and Index No.
B043 2554	Registration Guide Spacer	23 - 33
B120 3862	Front Discharge Brush	23 - 37
B121 1069	Support Bracket	11 - 17
B121 1070	Grip Bracket 2	45 - 4
B121 1084	Heater Wire Cover	37 - 1
B121 1107	Exhaust Duct	43 - 10
B121 1108	Lower Main Duct Ass'y	43 - 7
B121 1109	Left Duct Ass'y	43 - 11
B121 1110	Upper Main Duct	43 - 4
B121 1112	Frame Duct	43 - 6
B121 1126	Harness Guide	37 - 30
B121 1132	Fusing Drive Release Bracket	37 - 27
B121 1140	Main Drive Housing	39 - 25
B121 1145	Harness Hook	39 - 27
B121 1161	Large Spring	39 - 10
B121 1162	Small Spring	39 - 28
B121 1188	Bushing	25 - 22
B121 1313	IC Card Cap	7 - 7
B121 1314	Application Cap	7 - 5
B121 1315	Left Cover (Except for NA)	7 - 1
B121 1316	Left Cover NA	7 - 1
B121 1322	Left Upper Cover B	7 - 21
B121 1336	Rear Cover B (Except for NA)	7 - 6
B121 1348	Paper Bank Cap	7 - 8
B121 1367	Rear Exit Cover B (Except for NA)	7 - 22
B121 1664	Bracket - Timing Belt	15 - 14
B121 1667	Lens Stay Bracket	15 - 6
B121 1680	Gear - 53Z/60Z	15 - 18
B121 1696	Timing Belt L147	15 - 8
B121 1751	No.1 Carriage Ass'y	13 - 12
B121 1757	Xenon Lamp MM8 26000/70	13 - 10
B121 1762	No.1 Mirror	13 - 15
B121 1766	No.1 Mirror Clamp	13 - 14
B121 1782	Flexible Board Guide	13 - 4
B121 1975	Rubber Bushing	17 - 20

Part No.	Description	Page and Index No.
B121 2311	PCU Toner Supply Shutter	31 - 1
B121 2313	Toner Supply Seal	31 - 8
B121 2617	Magnet Catch - By-pass Feed	19 - 13
B121 3804	Transfer Unit	23 - 9
B121 3860	Harness Cover	23 - 34
B121 4090	Front Heater Holder	35 - 21
B121 4111	Front Electrode Plate	35 - 10
B121 4112	Long Electrode Plate	35 - 13
B121 4113	Short Electrode Plate	35 - 12
B121 4114	Rear Electrode Plate	35 - 14
B121 4120	Thermostat Ass'y	35 - 11
B121 4201	Front Heater Bracket	45 - 10
B121 4451	Exit Middle Guide Plate	37 - 20
B121 4461	Exit Lower Guide Plate	37 - 36
B121 4465	Short Front Outer Holder	37 - 32
B121 4467	Long Front Middle Holder	37 - 35
B121 4469	Long Rear Middle Holder	37 - 33
B121 4470	Right Lower Exit Guide Plate	27 - 14
B121 4473	Exit Roller Ring MM14	37 - 29
B121 4477	Short Rear Outer Holder	37 - 34
B121 4490	Antistatic Brush	37 - 23
B121 4503	Exit Photointerruptor Bracket	37 - 19
B121 5200	Harness - Scanner Motor	41 - 20
B121 5202	Harness - Registration Sensor	23 - 14
B121 5204	Harness - Discharge Lamp	41 - 25
B121 5204	Harness - Discharge Lamp	17 - 4
B121 5205	Harness - Front Door Switch	37 - 7
B121 5206	Harness - Density Sensor	41 - 6
B121 5206	Harness - Density Sensor	23 - 29
B121 5208	Harness - Ground Wire Scanner	41 - 1
B121 5212	Harness - Manual Feed	41 - 23
B121 5215	Harness - Paper End Sensor No.1	41 - 8
B121 5215	Harness - Paper End Sensor No.1	25 - 5
B121 5219	Harness - Ground Wire	33 - 13
B121 5220	Harness - HPS	41 - 24

Part No.	Description	Page and Index No.
B121 5238	Harness - Paper Feed Sensor	37 - 21
B121 5240	Harness - Document Feeder	41 - 4
B121 5248	Harness - Development Sensor	23 - 21
B121 5250	Harness - LDD	17 - 14
B121 5259	Harness - Paper End Sensor	27 - 23
B121 5439	Harness - Polygon Mirror Motor	17 - 13
B121 5501	IC:Scratch:KS6M2U1651CBP	55 - 2
B121 5502	LSI:TRIO:UPD65945GD-103-LML-A	55 - 3
B121 5742	Power Supply Cord Stopper NA Ass'y	41 - 18
B121 5801	Power Supply Unit Bracket	45 - 9
B121 5802	Guide Plate Bracket	45 - 7
B121 5810	BICU Bracket	41 - 10
B121 5822	Guide Mylar	41 - 2
B121 5825	Power Supply Cord Bracket	41 - 19
B121 5841	Bct Power Pack Bracket	43 - 15
B121 9640	Developer Type 28 Black	29 - 13
B132 1531	Panel:Logo	7 - 17
B180 2801	Holder:Paper Tray	45 - 11
B229 1453	Keytop - Start	9 - 6
B229 1454	Keytop - Clear/stop	9 - 7
B229 1475	Keytop - 10key	9 - 8
B229 1521	Sheet:Power Source:NA/ASIA	9 - 15
B229 1522	Sheet:Power Source:EU/TWN	9 - 15
B229 1525	Keytop - Initial	9 - 9
B229 1537	Keytop - Clear Modes	9 - 10
B238 1845	Seal:Exposure Glass	11 - 19
B238 2753	Decal - Side Fence	19 - 21
B238 2753	Decal - Side Fence	59 - 7
B243 1253	Door - Front (Except for NA)	7 - 15
B243 1254	Door - Front NA	7 - 15
B243 1350	Cover - Front (Except for NA)	7 - 12
B243 1425	Cover - Operation Panel	9 - 4
B243 1458	Keytop - Power Source	9 - 11
B243 1459	Keytop - Cursor	9 - 12
B243 1461	Cover:Printer:Basic	9 - 1

Part No.	Description	Page and Index No.
B243 1804	Harness - FFC	11 - 13
B243 2701	Paper Tray	21 - 28
B243 2702	Cover - Paper Tray	21 - 26
B243 2840	Paper Tray Unit EU	21 - *
B243 2841	Paper Tray Unit NA	21 - *
B243 5018	Choke Coil - B2435018 (230V)	41 - 14
B243 5018	Choke Coil - B2435018	45 - 8
B243 5203	Harness - Main Motor	41 - 21
B243 5214	Harness - AC Fusing TWN	41 - 12
B243 5217	Harness - AC Fusing EU	41 - 12
B243 5218	Harness - AC Fusing NA	41 - 12
B243 5226	Harness - AC Switch 187	41 - 16
B243 5228	Harness - AC Dehumidifier EXP	41 - 15
B243 5230	Harness - Power Supply Unit	41 - 17
B243 5231	Harness - High Voltage	43 - 1
B243 5231	Harness - High Voltage	41 - 22
B243 5232	Harness - High Voltage Line B	43 - 12
B243 5233	Harness - High Voltage Line C/T	43 - 2
B243 5233	Harness - High Voltage Line C/T	33 - 9
B243 5260	Harness - AC Dehumidifier	45 - 14
B243 5261	Harness - Key Counter	41 - 11
B243 5262	Harness - Key Counter Lan	41 - 11
B245 1053	Shaft:Door:Right Front:Ass'y	45 - 6
B245 1421	Operation Panel Unit (NA/ASIA)	9 - 2
B245 1422	Operation Panel Unit (TWN)	9 - 2
B245 1472	Sheet:Operation Panel:A:NA/ASIA	9 - 14
B245 1473	Sheet:Operation Panel:A:EU/TWN	9 - 14
B245 1487	PCB Operation Panel	9 - 16
B245 4054	Frame:Pressure:Printing	35 - 28
B245 5222	Harness - Scanner	41 - 3
B259 1058	Shaft:Door:Right Rear:Ass'y	45 - 12
B259 1106	Fan Motor - MM80	43 - 9
B259 1119	Tapping Screw:M3x33	43 - 8
B259 1131	Screw:PCU	23 - 28
B259 1135	DC Solenoid Ass'y	39 - 2

Part No.	Description	Page and Index No.
B259 1157	Fusing Swivel Bracket	39 - 11
B259 1174	Development Drive Shaft (03)	39 - 17
B259 1178	Paper Feed Drive Bracket	25 - 23
B259 1190	Shaft - Drive Manual Feed	25 - 20
B259 1194	Manual Feed Drivebracket	25 - 18
B259 1367	Cover Magnet	7 - 13
B259 1499	Tapping Screw - M3x8	9 - 13
B259 1691	Scanner Drive Shaft	15 - 11
B259 1702	Pulley Shaft	15 - 16
B259 1763	Xenon Lamp Stabilizer	13 - 16
B259 1768	Carriage No.2 Ass'y	13 - 5
B259 1776	Idler Belt Pulley Bracket - Front	13 - 9
B259 1778	Idler Belt Pulley Bracket - Rear	13 - 7
B259 1812	Lens Unit	11 - 9
B259 2210	PCU	29 - *
B259 2325	OPC Drum Shutter Plate	31 - 23
B259 2371	Rear Drum Stay	29 - 1
B259 2381	Discharge Lamp - QL	17 - 3
B259 2562	Registration Roller Drive	23 - 19
B259 2571	Registration Roller Driven - Dia16	23 - 18
B259 2594	Shaft - Feed	27 - 12
B259 2603	Manual Feed Table:Ass'y	19 - *
B259 2642	Pin - MM6	19 - 19
B259 2737	Paper Feed Roller Shaft Ass'y	21 - 10
B259 2786	Lever Shaft	19 - 20
B259 3031	Toner Supply Unit	33 - 1
B259 3052	Development Roller:Ass'y	29 - 6
B259 3170	Development Case Ass'y	29 - 8
B259 3390	Density Sensor:K-C2.5:Ass'y	29 - 10
B259 3422	Shaft:Slide	33 - 5
B259 3890	Density Sensor	23 - 26
B259 4003	Fusing Unit:NA:Ass'y	35 - *
B259 4006	Fusing Unit:EU:Ass'y	35 - *
B259 4007	Fusing Unit:TWN:Ass'y	35 - *
B259 4015	Fusing Cleaning Roller	35 - 6

Part No.	Description	Page and Index No.
B259 4028	Heater - 230V/550W	35 - 16
B259 4091	Rear Heater Holder	35 - 15
B259 4103	Frame:Fusing	35 - 37
B259 4115	Fusing Entrance Guide Plate	35 - 30
B259 4210	Heater - 120V/550W	35 - 16
B259 4212	Heater - 110V/600W (TWN)	35 - 16
B259 4214	Heater - 230V/600W	35 - 34
B259 4215	Heater - 120V/600W	35 - 34
B259 4216	Heater - 110V/550W (TWN)	35 - 34
B259 4471	Exit Roller 2	37 - 3
B259 5223	Harness - Stabilizer	13 - 17
B259 6057	Heater:Paper Feed:No.1:NA:Ass'y	45 - 2
B259 6058	Heater:Paper Feed:No.1:EU:Ass'y	45 - 2
B268 1085	Switch:LF-105-11	37 - 28
B268 1749	Scale - Left	11 - 2
B268 1751	Scale - Inner Back	11 - 11
B270 2830	Right Rail	25 - 13
B272 2510	Grip:Option:Paper Tray	21 - 30
B276 1055	Brushless Motor DC24V/20W	39 - 1
B276 1072	Grip	45 - 3
B276 1073	Cover:Grip	45 - 1
B276 1149	Magnetic Clutch:0.5n M:Z39	39 - 4
B276 1150	Magnetic Clutch:Paper Feed:Drive:Ass'y	25 - 17
B276 1152	Magnetic Clutch:Manual Feed:Ass'y	25 - 12
B276 1183	Shaft:Paper Feed:Drive:Ass'y	25 - 21
B276 1234	Fusing Cover:Paper Exit Sub-unit: One Side:C3bdom:Sub-ass'y	37 - 2
B276 1251	Cover:Shield Glass	17 - 1
B276 1332	Cover:Scanner:Left:NA	7 - 2
B276 1333	Cover:Scanner:Rear:NA	7 - 4
B276 1335	Right Scanner Cover	7 - 9
B276 1337	Cover:Rear:NA	7 - 6
B276 1339	Cover - Front Right Upper	7 - 11
B276 1347	Right Rear Cover	7 - 10
B276 1351	Cover:Front:NA	7 - 12

Part No.	Description	Page and Index No.
B276 1368	Cover:Exit:Rear:B:NA	7 - 22
B276 1452	Cover:Operation Sub-unit:Lower	9 - 3
B276 1808	Inner Cover:Lens	11 - 8
B276 1917	Laser Diode Unit:Ass'y	17 - 15
B276 2644	End Fence:C3	21 - 1
B276 2646	Rubber Bushing	21 - 29
B276 2719	Spring:Base:5.8N	21 - 13
B276 3310	DC Motor:Toner Bottle:Kir-C3:Ass'y	39 - 6
B282 1128	Ground	39 - 9
B282 1135	Electrode Plate:Development:Ass'y	39 - 8
B283 1876	Imaging Unit:Ass'y	17 - *
B283 1961	Shield Glass:Ass'y	17 - 6
B283 1971	Cover:Ass'y	17 - 12
B283 1981	Decal:LD	17 - 7
B283 1981	Decal:LD	59 - 1
B390 1759	Shaft:Scale	11 - 1
D100 1355	Cover:Exit:C3-DOM	7 - 3
G012 3050	Side Fence Gear	19 - 7
G020 2599	Spring - Release Lever	21 - 22
G020 2784	Lever - By-pass Feed Table	19 - 15
G020 3334	Slider Ass'y	33 - 8
G020 5626	Push Switch	45 - 13
G020 5871	Spacer - KGLS-12RF	43 - 13
G029 4140	External Circlip	35 - 17
G029 4174	Pressure Roller Bushing	35 - 27
G029 4176	Turn Roller - Exit Sub-unit	37 - 25
G052 4618	Bearing 30x42x7	35 - 19
G052 4873	Outer Exit Cover Roller	37 - 31
G361 5570	Photointerruptor - Duplex	37 - 22
G570 2730	Slider - Scanner	13 - 18
G800 3035	Push Sw - Paper Size	25 - 2

Part No.	Description	Page and Index No.
N803 6701	Flash Memory Card-4MB	61 - 4

Part No.	Description	Page and Index No.
AA06 2254	Registration Roller Spring	23 - 2
AA06 2324	Pressure Spring	35 - 26
AA06 3398	Spring - Friction Pad	27 - 7
AA06 3570	Tension Spring	35 - 35
AA06 3607	Pressure Spring	23 - 24
AA06 3643	Spring - By-pass Feed Table	19 - 8
AA06 6342	Registration Sensor Spring	23 - 10
AA06 6343	Spring - Paper End Sensor	27 - 20
AA06 6635	Spring - Fusing Exit Guide	35 - 24
AA06 6637	Stripper Pawl Spring	35 - 8
AA08 0267	Bushing - 8x12x18	23 - 6
AA08 0342	Fornt Bushing-registration Roller	23 - 5
AA08 0343	Rear Bushing-registration Roller	23 - 22
AA08 2063	Bushing - 8x10x5	37 - 5
AA08 2073	Roller Busing	35 - 36
AA08 2101	Bushing - 6x10x6	27 - 18
AA08 2101	Bushing - 6x10x6	25 - 15
AA08 2110	Bushing - 8x12x22	23 - 23
AA10 0015	Snap Ring - M6	23 - 8
AA10 0015	Snap Ring - M6	39 - 26
AA14 3444	Stepped Screw	31 - 11
AA14 3592	Screw - M4x6	41 - 7
AA14 3870	Stepped Screw	35 - 2
AB01 1402	Gear - 14Z	31 - 13
AB01 1403	Gear - 13Z	31 - 12
AB01 2311	Gear - 18Z	23 - 7
AB01 2312	Gear - 16Z	23 - 4
AB01 2313	Gear - 25Z	27 - 13
AC02 0095	Sync Detector Lenz	17 - 19
AC02 4009	Cylindrical Lens	17 - 9
AC03 0138	2nd Mirror	17 - 17
AC03 0139	Sync Detector Mirror	17 - 8
AD02 7018	Roller:Charge:A3	31 - 21
AD04 2058	Charge Cleaner Brush Roller	31 - 22
AD04 2059	Cleaning Blade Ass'y	31 - 15

Part No.	Description	Page and Index No.
AE01 1113	Hot Roller MM30	35 - 20
AE02 0150	Pressure Roller	35 - 22
AE04 4062	Stripper Pawls	35 - 9
AF03 1060	By-pass Feed Roller	27 - 17
AG07 0514	Magnet Catch	27 - 24
AH01 0010	Rubber Foot:H5	45 - 5
AW02 0156	Photointerruptor:EE-SX4235A-P2	11 - 4
AW10 0073	Thermistor	35 - 3
AX06 0323	Polygon Motor - 23622RPM	17 - 16
AX31 0046	Total Counter:7FIG:24V	33 - 16
AZ23 0200	Power Supply Unit (100V)	41 - 13
AZ23 0219	Power Supply Unit - 230V	41 - 13
AZ32 0152	Power Pack BCT	43 - 5
GW02 0020	Photointerruptor:LG248NL1	23 - 13
GW02 0020	Photointerruptor:LG248NI1	11 - 6
GW02 0020	Photointerruptor:LG248NL1	27 - 22

Part No.	Description	Page and Index No.
VSSM 9000	Digital Multimeter-FLUKE187	61 - 3

Part No.	Description	Page and Index No.
0313 0060N	Screw - M3x6	35 - 104
0353 0050N	Screw-M3x5	9 - 102
0353 0060N	Bind Screw - M3x6	31 - 101
0360 3006N	Screw - M3x6	29 - 101
0360 3006P	Screw - M3x6	15 - 107
0450 3008N	Tapping Screw - M3x8	37 - 102
0450 3008N	Tapping Screw - M3x8	23 - 101
0450 3008N	Tapping Screw - M3x8	21 - 102
0450 3008N	Tapping Screw - M3x8	33 - 101
0450 3008N	Tapping Screw - M3x8	27 - 101
0450 3008N	Tapping Screw - M3x8	39 - 104
0450 3008N	Tapping Screw - M3x8	43 - 102
0450 3008N	Tapping Screw - M3x8	45 - 107
0450 3010N	Tapping Screw - M3x10	33 - 103
0450 3010N	Tapping Screw - M3x10	43 - 105
0450 3012N	Tapping Screw:3x12	23 - 102
0450 3012N	Tapping Screw:3x12	37 - 104
0450 3012N	Tapping Screw -3x12	17 - 102
0450 3020N	Tapping Screw:M3x20	17 - 103
0450 4008N	Tapping Screw - M4x8	7 - 102
0450 4010N	Tapping Screw:M4x10	37 - 101
0450 4010N	Tapping Screw:M4x10	39 - 101
0451 3006N	Tapping Screw - M3x6	41 - 102
0451 3006N	Tapping Screw - M3x6	39 - 106
0451 3006N	Tapping Screw - 3x6	43 - 101
0451 3006N	Tapping Screw - 3x6	37 - 103
0451 3006N	Tapping Screw - 3x6	27 - 102
0451 3006N	Tapping Screw - 3x6	45 - 101
0451 3006N	Tapping Screw - 3x6	13 - 101
0451 3006N	Tapping Screw - M3x6	11 - 101
0451 3006N	Tapping Screw - 3x6	15 - 101
0451 3006N	Tapping Screw - 3x6	25 - 101
0451 3008N	Tapping Screw - M3x8	9 - 101
0451 3008N	Tapping Screw - M3x8	41 - 101
0451 3008N	Tapping Screw - M3x8	19 - 101

Part No.	Description	Page and Index No.
0451 3008N	Tapping Screw - M3x8	7 - 101
0451 3008N	Tapping Screw - M3x8	45 - 102
0452 3008N	Tapping Screw - M3x8	33 - 102
0452 3008N	Tapping Screw - M3x8	29 - 102
0452 3008N	Tapping Screw - M3x8	35 - 103
0452 3010N	Tapping Bind Screw - M3x10	17 - 101
0452 3012N	Binding Self-tapping Screw:M3x12	31 - 102
0452 3014N	Tapping Screw - M3x14	17 - 104
0453 3006N	Tapping Screw - M3x6	15 - 108
0454 3006Q	Tapping Screw With Washer - M3x6	11 - 102
0454 3006Q	Tapping Screw With Washer - M3x6	45 - 103
0454 3006Q	Tapping Screw With Washer - M3x6	15 - 102
0454 3006Q	Tapping Screw With Washer - M3x6	25 - 102
0454 3008Q	Tapping Screw	39 - 102
0720 0030E	Retaining Ring - M3	37 - 105
0720 0040E	Retaining Ring - M4	25 - 103
0720 0040E	Retaining Ring - M4	27 - 103
0720 0060E	Retaining Ring - M6	15 - 106
0720 0060E	Retaining Ring - M6	39 - 103
0736 0610	Bushing 6x10	31 - 103
0804 6123	Hexagonal Bolt:W/Washer:M3x8	35 - 101
0805 0088	Retaining Ring - M6	21 - 101
0805 0097	Ring Separator	25 - 104
0805 3530	Bearing 8x22x7	15 - 105
0950 3006N	Screw:Spring Washer:M3x6	45 - 108
0954 3010N	Screw:Polished Round/Spring:M3x10	35 - 105
0954 4008N	Screw - M4x8	35 - 102
1102 4201	Connector - 2P	55 - 101
1102 4203	CT Header - 4P	55 - 102
1102 4205	Connector:292132-6	55 - 103
1102 4207	Connector - 8P	55 - 104
1102 5301	Connector	55 - 105
1102 5302	Connector - 3P	55 - 106
1102 5303	3.5:Connector:ST:4P	55 - 107
1102 6295	Connector:53324-0260	55 - 108

Part No.	Description	Page and Index No.
1102 6297	Connector:53324-0460	55 - 109
1102 6299	Connector:53324-0660	55 - 110
1102 6396	Connector:53313-1665	55 - 111
1102 8545	Connector - 1-353297-6	55 - 112
1102 8655	Connector - 9P 353297-9	55 - 113
1102 8661	Connector - FCN-564P068-G/SC-4V	55 - 114
1102 9108	Connector - 353297-3	55 - 115
1102 9109	Connector - 353297-4	55 - 116
1102 9110	Connector - 353297-6	55 - 117
1102 9111	Connector - 353297-7	55 - 118
1102 9112	Connector - 353297-8	55 - 119
1102 9114	Connector - 353297-1	55 - 120
1102 9132	Connector - 353303-7	55 - 121
1103 3179	Connector:FH12-50S-0.5SV(89)	55 - 122
1103 4777	Connector:00 6216 005 808+	55 - 123
1104 0588	Dip Socket - 28P	55 - 140
1105 0197	Wire Saddle	45 - 106
1105 0487	Harness Clamp	45 - 105
1105 0487	Harness Clamp	43 - 103
1105 0487	Harness Clamp	41 - 104
1105 0487	Harness Clamp	25 - 106
1105 0487	Harness Clamp	15 - 104
1105 0488	Harness Clamp	39 - 105
1105 0488	Harness Clamp	41 - 103
1105 0488	Harness Clamp	45 - 109
1105 0499	Support Spacer - M3x29	43 - 104
1105 0511	Harness Clamp - LWS-0306ZC	25 - 105
1105 0511	Harness Clamp - LWS-0306ZC	15 - 103
1105 0511	Harness Clamp - LWS-0306ZC	45 - 104
1105 0518	Edge Saddle - LES-1010	41 - 105
1105 0522	Edge Saddle - LES0510	23 - 103
1107 0391	Fuse - 5A 125V	41 - 107
1107 0629	Fuse:Ceramic Case:15A 125V	41 - 108
1204 2608	Rocker Switch:Sddje33900	41 - 106
1400 0702	Transistor - DTD143EK	55 - 124

Part No.	Description	Page and Index No.
1400 0789	Transistor - IMT17	55 - 125
1400 0901	Transistor - DTC144VUA	55 - 126
1400 0953	Transistor:2SC4081S	55 - 127
1400 0962	Transistor - 2SB1412	55 - 128
1400 1174	Transistor - SRC1219UF	55 - 130
1400 1253	Transistor:2SA1979UF	55 - 129
1401 1414	FET:SI3433BDV-E3	55 - 131
1402 1511	Zenerdiode - MTZJ13B	55 - 132
1402 1565	Diode:RB521S-30	55 - 133
1402 1662	Diode:PTZ6.2B	55 - 134
1402 1932	Diode:SDS142W μ F	55 - 136
1402 1995	Diode:SDS511	55 - 135
1403 0996	LED:SML-310VT	55 - 137
1407 2187	TTLIC:SN74LS07NS	55 - 138
1407 2219	IC - TD62003AP	55 - 139
1407 5299	RAM:FM1608-120-P	41 - 109
1407 5353	IC - SN74LV244APW	55 - 141
1407 5368	IC - 74LVC245A TSSOP	55 - 142
1407 5376	CMOS Logic:SN74LV32APW	55 - 143
1407 5382	CMOS Logic - SN74LV373APW	55 - 144
1407 5454	IC - SN74LV86APW	55 - 145
1407 5469	CMOS Logic:SN74LV07APW	55 - 146
1407 5555	IC - SN74AHCT126PW	55 - 147
1407 6032	IC - SN74LV161APW	55 - 148
1407 6525	CPU - HD6412320VF25V	55 - 149
1407 6584	IC - STK672-400B-E	55 - 150
1408 1204	IC - TA8083P	55 - 151
1408 1550	Operational Amplifier:LM2902PW	55 - 154
1408 1669	Series Regulator:R1170H331B-F	55 - 155
1408 1850	Series Regulator:R1170H181B-F	55 - 156
1408 1911	Comparator - LM2903PW	55 - 157
1408 1929	IC - R3112Q441A	55 - 158
1408 2316	IC - R3112Q381A-FA	55 - 159
1408 2537	Series Regulator:KIA7805API/P	55 - 152
1408 2540	Series Regulator:KIA7812API/P	55 - 153

Part No.	Description	Page and Index No.
1503 0993	Crystal Oscillator- 14.7456MHz	55 - 160
1600 1334	Resistor-220Ω±5%2W	55 - 161
1600 1682	Resistor - 680 Ω ±5% 2W	55 - 162
1601 5492	Resistor - 47Ω ±5% 2W	55 - 163
1601 7877	Resistor Array 4.7K Ω ±5% 1/32W	55 - 165
1601 7886	Resistor Array 3.3K Ω ±5% 1/32W	55 - 166
1601 7887	Resistor Array:10K Ω:±5%:1/16W:4Number	55 - 167
1601 7898	Resistor Array:33 Ω:±5%:1/16W:4Number	55 - 168
1601 7943	Resistor Array:68 Ω:±5%:1/16W:4Number	55 - 169
1601 7959	Resistor Array:1K Ω:±5%:1/16W:4Number	55 - 170
1602 7026	Capacitor - 1000pF ±20% 100V	55 - 171
1604 5524	Capacitor - 100μF ±20% 50V	55 - 172
1604 5526	Capacitor - 47μF ±20% 10V	55 - 173
1605 1137	Capacitor - 470pF ±10% 50V	55 - 174
1605 1148	Capacitor:0.1μF:+80-20%:50V	55 - 175
1605 1166	Capacitor - 0.015μF ±10% 50V	55 - 176
1605 1190	Resistor - 0.022μF ±10% 50V	55 - 177
1605 1201	Capacitor - 12pF ±5% 50V	55 - 178
1605 1206	Capacitor:47pF:±5%:50V	55 - 179
1605 1208	Capacitor:100pF:±5%:50V	55 - 180
1605 1209	Capacitor - 150pF ±5% 50V	55 - 181
1605 1221	Capacitor:0.1μF:+80-20%:16V	55 - 182
1605 1293	Capacitor - 27pF±5%50V	55 - 183
1605 1295	Capacitor:10μF:+80-20%:10V	55 - 184
1605 1303	Capacitor:0.01μF:+80-20%:50V	55 - 185
1605 1347	Capacitor:1μF:+80-20%:16V	55 - 186
1605 1447	Capacitor:470pF:±5%:50V	55 - 187
1607 0069	Filter:BL02RN2R1M2B	55 - 188
1607 1002	Filter:NFE31PT222Z1E9B	55 - 189
1607 1107	IC - LC0805L104M	55 - 190
1607 1298	Filter - LCZ0805S224M7	55 - 191
1609 0005	Resistor Array:33 Ω:±5%:1/16W:8Number	55 - 192
1609 0006	Resistor Array:10K Ω:±5%:1/16W:8Number	55 - 193
1609 0007	Resistor Array:68 Ω:±5%:1/16W:8Number	55 - 194
1609 0019	Resistor:0 Ω:1608	55 - 195

Part No.	Description	Page and Index No.
1609 0027	Resistor Array:100K Ω:±5%:1/16W:8Number	55 - 196
1609 0094	Resistor - 180Ω ±5% 1/16W	55 - 164
1633 0000	Resistor:0Ω:2125	55 - 197
1634 0000	Resistor:0Ω:1608	55 - 198
1640 0101	Capacitor - 100μF 10V	55 - 199
1640 5470	Capacitor - 47μF ±20% 50V	55 - 200
1642 5100	Capacitor - 10μF ±20% 50V	55 - 201
1650 2472	Chip Resistor-4.7K	55 - 202
1650 2620	Resistor - 62Ω ±5% 1/4W	55 - 203
1650 3201	Resistor - 200Ω ±5% 1/8W	55 - 204
1650 4102	Resistor:1K Ω:±5%:1/10W:1608	55 - 205
1650 4103	Resistor:10K Ω:±5%:1/10W:1608	55 - 206
1650 4104	Resistor:100K Ω:±5%:1/10W:1608	55 - 207
1650 4220	Chip Resistor - 22Ω ±5% 1/10W	55 - 208
1650 4330	Resistor:33 Ω:±5%:1/10W:1608	55 - 209
1650 4331	Resistor - 330Ω±5%1/10W	55 - 210
1650 4472	Resistor:4.7K Ω:±5%:1/10W:1608	55 - 211
1650 5100	Resistor:10 Ω:±5%:1/16W:1005	55 - 212
1650 5102	Resistor:1K Ω:±5%:1/16W:1005	55 - 213
1650 5103	Resistor:10K Ω:±5%:1/16W:1005	55 - 214
1650 5104	Resistor:100K Ω:±5%:1/16W:1005	55 - 215
1650 5105	Resistor:1M Ω:±5%:1/16W:1005	55 - 216
1650 5203	Resistor - 20KΩ ±5% 1/16W	55 - 217
1650 5222	Resistor:2.2K Ω:±5%:1/16W:1005	55 - 218
1650 5243	Resistor - 24KΩ ±5% 1/16W	55 - 219
1650 5244	Resistor:240K Ω:±5%:1/16W:1005	55 - 220
1650 5330	Resistor:33 Ω:±5%:1/16W:1005	55 - 221
1650 5331	Resistor - 330Ω ±5% 1/16W	55 - 222
1650 5332	Resistor:3.3K Ω:±5%:1/16W:1005	55 - 223
1650 5391	Resistor - 390Ω ±5% 1/16W	55 - 224
1650 5470	Chip Resistor 47Ω ±5% 1/16W	55 - 225
1650 5472	Resistor:4.7K Ω:±5%:1/16W:1005	55 - 226
1650 5511	Resistor:510 Ω:±5%:1/16W:1005	55 - 227
1650 5624	Resistor - 620KΩ ±5% 1/16W	55 - 228
1650 5680	Resistor:68 Ω:±5%:1/16W:1005	55 - 229

Part No.	Description	Page and Index No.
1650 5750	Chip Resistor:75Ω:±5%:1/16W	55 - 230
1650 5751	Resistor:750 Ω:±5%:1/16W:1005	55 - 231
1655 0000	Resistor:0 Ω:1005	55 - 232
1655 1001	Resistor:1K Ω:±1%:1/16W:1005	55 - 233
1655 1002	Resistor:10K Ω:±1%:1/16W:1005	55 - 234
1655 1003	Resistor:100K Ω:±1%:1/16W:1005	55 - 235
1655 1302	Resistor - 13K Ω ±1% 1/16W	55 - 236
1655 1801	Resistor:1.8K Ω:±1%:1/16W:1005	55 - 237
1655 2551	Resistor - 2.55K Ω ±1% 1/16W	55 - 238
1655 3301	Resistor:3.3K Ω:±1%:1/16W:1005	55 - 239
1655 6041	Resistor - 6.04K Ω ±1% 1/16W	55 - 240
1655 7871	Resistor - 7.87K Ω ±1% 1/16W	55 - 241
1655 9101	Resistor:9.1K Ω:±1%:1/16W:1005	55 - 242
1660 2120	Capacitor - 12 pF ±5% 50V	55 - 243
1660 2270	Capacitor - 27pF ±20% 35V	55 - 244
1660 2470	Capacitor:47pF:±5%:50V	55 - 245
1660 8104	Capacitor:0.1μF:+80-20%:25V	55 - 246
1902 0070	SRAM - 1M:X8:3.3V:G2	55 - 247
1906 0094	Flash Memory - S29AL016D70TFI020	55 - 248
1907 0096	SDRAM - 128M 2Mx16x4 133MHz	55 - 249

Part No.	Description	Page and Index No.
5203 9502	Grease 501	61 - 1
5215 2621	Snap Ring - M6	21 - 6
5215 2713	Bottom Plate Pad	21 - 27
5304 1639	Bushing - 8mm	39 - 24
5442 1924	Exposure Glass Cushion	11 - 15
5447 2681	Snap Ring	19 - 18
5447 2681	Snap Ring	23 - 3
5447 2681	Snap Ring	25 - 6