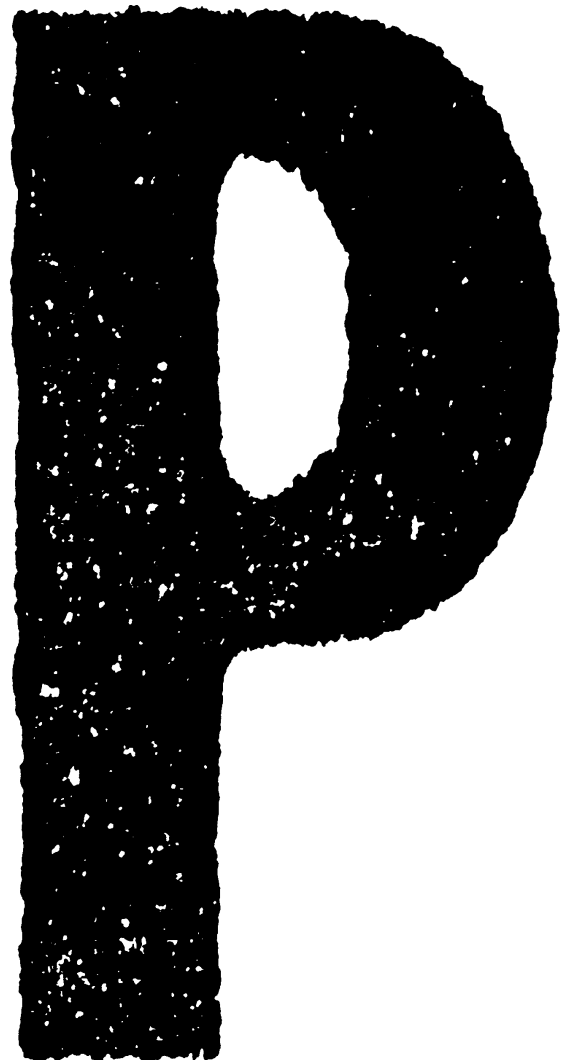


**TOSHIBA**

# **SERVICE PARTS LIST**

**MULTIFUNCTIONAL DIGITAL SYSTEMS**

## **e-STUDIO0163/203**



© 2005 TOSHIBA TEC CORPORATION All rights reserved

Under the copyright laws, this manual cannot be reproduced in any form without prior written permission of TOSHIBA TEC CORPORATION. No patent liability is assumed, however, with respect to the use of the information contained herein.

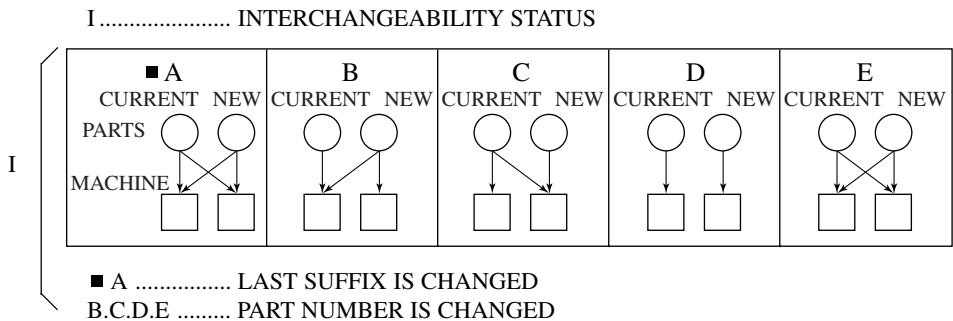
# EXPLANATION OF SERVICE-PARTS LIST

## 1. HOW TO READ THE PARTS LIST

- (1) Number of pieces  
The number of pieces in the list denotes total pieces used per unit. But the numbers in the list for PACKING MATERIAL and ACCESSORY denote total pieces used per machine.
- (2) One pack of screws in the list includes 50 pieces.
- (3) ABBREVIATED CODES

QTY/PAC	{	QTY .....	one piece
		PAC .....	one pack
		1/P .....	one piece packed in polyethylene bag
		1/S .....	one piece packed in special pack
		1/C .....	one piece packed in carton box
		1/PP .....	one piece packed in paper and polyethylene bag
		1/KP .....	one piece packed in polyethylene bag with cardboard
		1/D .....	one piece packed in polyethylene-cushion bag
N/A .....	not available		

P	{	P .....	PURPOSE
		A .....	ADD
		B .....	DELETE
		C .....	CHANGE
		D .....	QTY, CHANGE
		E .....	MISENTRY
		F .....	OMISSION



## 2. HOW TO PLACE ORDER FOR PARTS

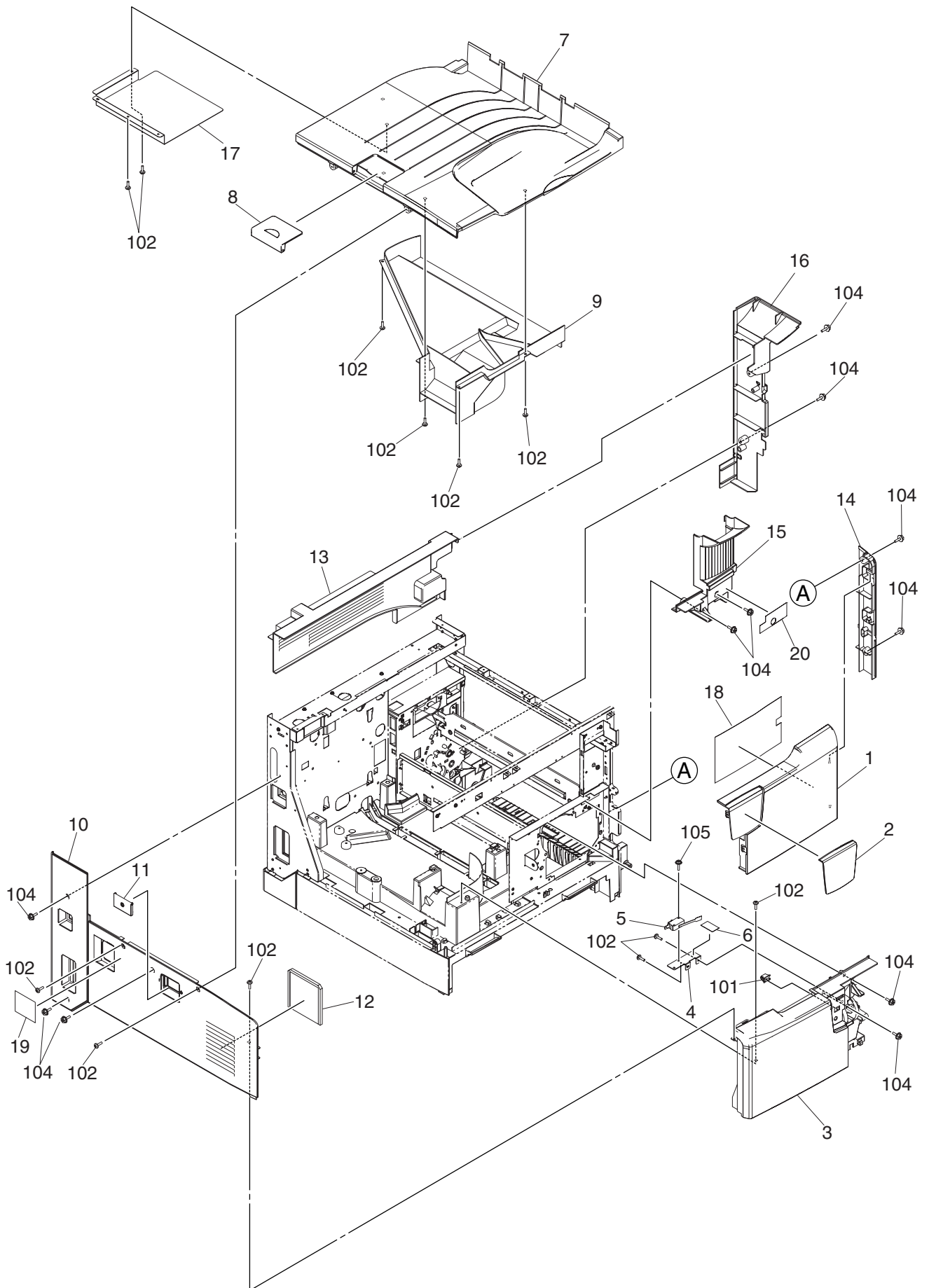
- (1) The parts handled as service parts are only those with their "QTY/PACK" column listed with a quantity other than "N/A\*\*\*" or "SUPPLY".  
Those parts with "N/A\*\*\*" are listed only for the purpose of showing the mechanical construction, those listed with "SUPPLY" are handled only as a sales item, and therefore both types of parts are not supplied as service parts.
- (2) Orders for any parts which form a component of a semi-assembled unit are not acceptable.  
Note: All the screws and nuts used are ISO standard.

## 3. REGION

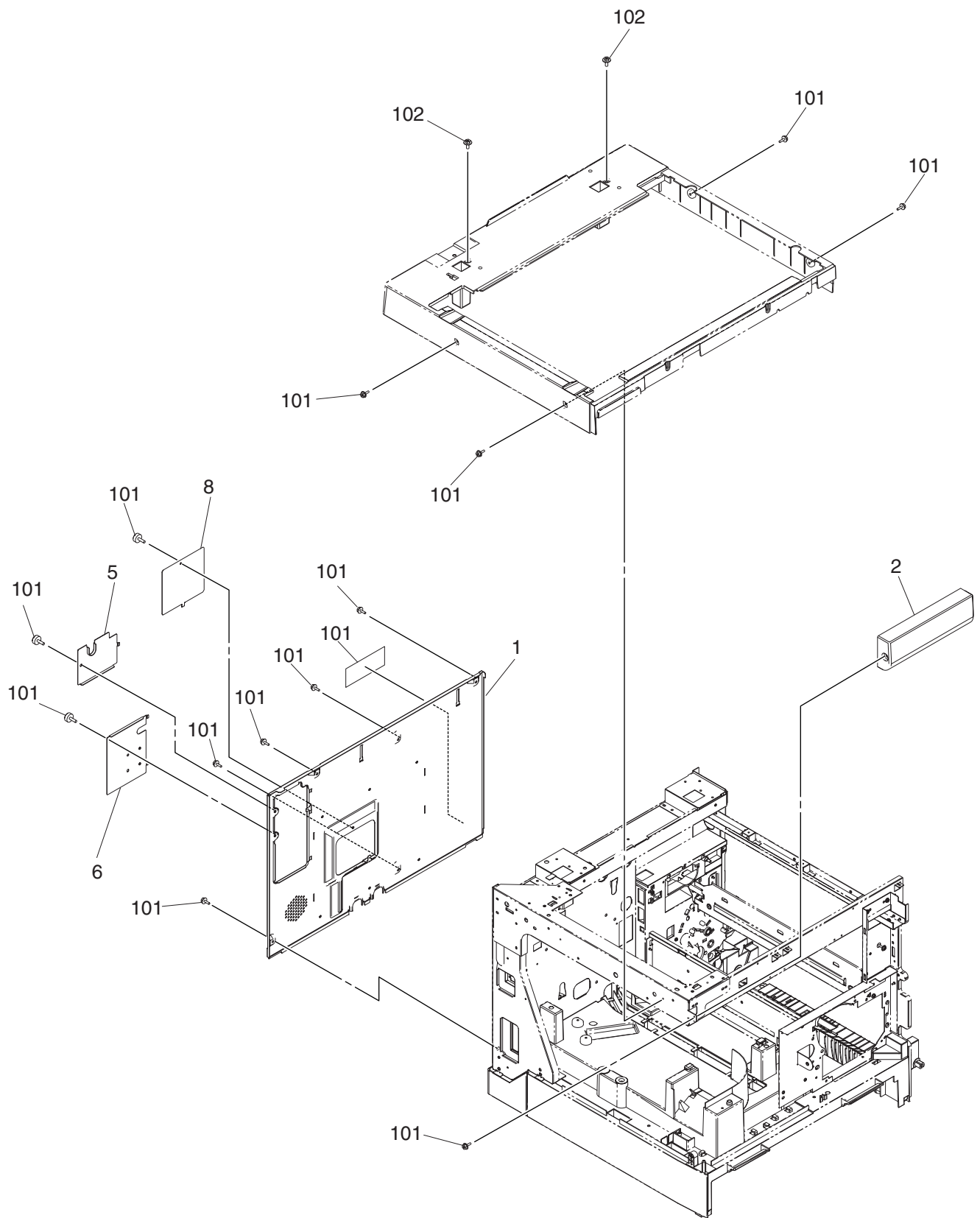
NAD .....	115V
	50/60Hz, NORTH AMERICA, SOUTH AMERICA
TWD .....	110/220V
	50/60Hz, TAIWAN
SAD .....	127V/60Hz, SAUDI ARABIA
ASD .....	220-240V
	50/60Hz, ASIA, SOUTH AMERICA, etc.
ASU .....	220-240V
	50/60Hz, ASIA, etc.
AUD .....	220-240V
	50/60Hz, AUSTRALIA
MJD .....	220-240V
	50/60Hz, EUROPE
CND .....	220-240V
	50/60Hz, CHINA
KRD .....	220-240V
	50/60Hz, KOREA

# CONTENTS

COVER-1-ASY .....	1	JIGS & GREASE .....	101
COVER-2-ASY .....	2	DOWNLOAD JIGS .....	102
COVER-3-ASY .....	3	SUPPLIES .....	103
CONTROL-PANEL-ASY .....	4	REPLACE UNIT .....	104
BASE-FRAME-ASY .....	5	PM-KIT .....	105
FRONT-FRAME-ASY .....	6		
REAR-FRAME-ASY .....	7		
STAY-ASY .....	8		
OPTICAL-FRAME-ASY .....	9		
OPTICAL-DRIVE-ASY .....	10		
COVER-GUIDE-ASY .....	11		
MAIN-DRIVE-ASY .....	12		
BYPASS-ASY .....	13		
BYPASS-FEEDER-ASY .....	14		
GUIDE-ALIGNING-ASY .....	15		
ALIGNING-ASY .....	16		
PLATEN-ASY .....	17		
MAIN-CHARGER-ASY .....	18		
TRANSPORT-CHARGER-ASY .....	19		
CLEANER-ASY .....	20		
DEVELOPER-ASY .....	21		
RECYCLE-ASY .....	22		
FUSER-1-ASY .....	23		
FUSER-2-ASY .....	24		
DRAWER-ASY .....	25		

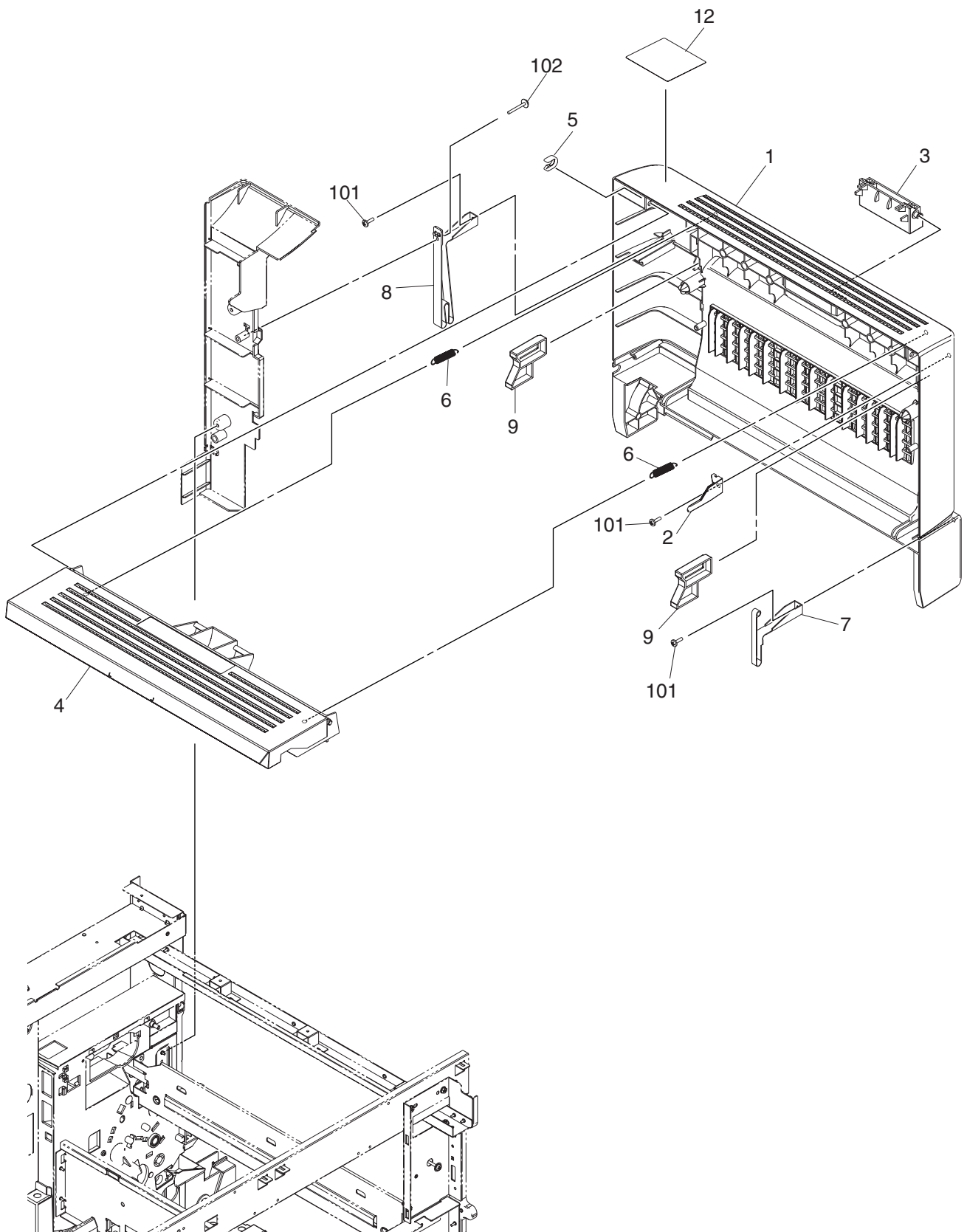


ITEM No.	PART No.	PART NAME	Q'TY / PAGE	Q'TY / PACK	P	I	R	BSI No.	TO	FROM	REMARKS
1	6LE55209000	COVER-FRONT-R	1								e-STUDIO163 e-STUDIO203
2 A	6LE55210000	COVER-EMBLEM-163	1								
2 B	6LE55210200	COVER-EMBLEM-203	1								
3	6LE55219000	COVER-FRONT-L	1								
4	6LE57906000	BRKT-FRAME-SENSOR	1								
5	41301175000	SM-ILOCK	1								
6	6LE55221000	MYLAR-FRM-SENSOR	1								
7	6LE55259000	COVER-TRAY	1								
8	6LE55260000	COVER-STOP-PAPER	1								
9	6LE55298000	COVER-DUCT-TRAY	1								
10	6LE55238000	COVER-LEFT	1								
11	6LA29554000	LID-SW	1								
12	6LE55240000	FILTER-COV-LEFT	1								
13	6LE55248000	COVER-TRAY-BACK	1								
14	6LE55268000	COVER-PILLAR-FRT-B	1								
15	6LE55267000	COVER-PILLAR-FRT-T	1								
16	6LE55229000	COVER-RIGHT	1								
17	6LE55300000	SHIELD-COV-TRAY	1								
18	6LE64840000	LBL-O-TONER-FRT-F280	1								
19 A	44204604000	LBL-SERVICE-45	1								NAD,ASD,AUD,MJD,ASU,SAD
19 B	6LA48504000	LBL-SERVICE-45-TWD	1								TWD
19 C	6LA56227000	LBL-SERVICE-45C	1								CND
20 A	6LE59160000	LBL-CAU-LASER	1								NAD,ASD,AUD,MJD,ASU,SAD,TWD
20 B	6LE59161000	LBL-CAU-LASER-CND	1								CND
101	E0-01853000	CS1A-B2CA	1								
102	6LA80090000	S/TPP/BID-3X8-NI	12								
104	X0-02239000	S/TPS/FHEXM-3X8-ZU3	11								
105	X0-01615000	S/TPS/FPAN-3X14-NC	1								

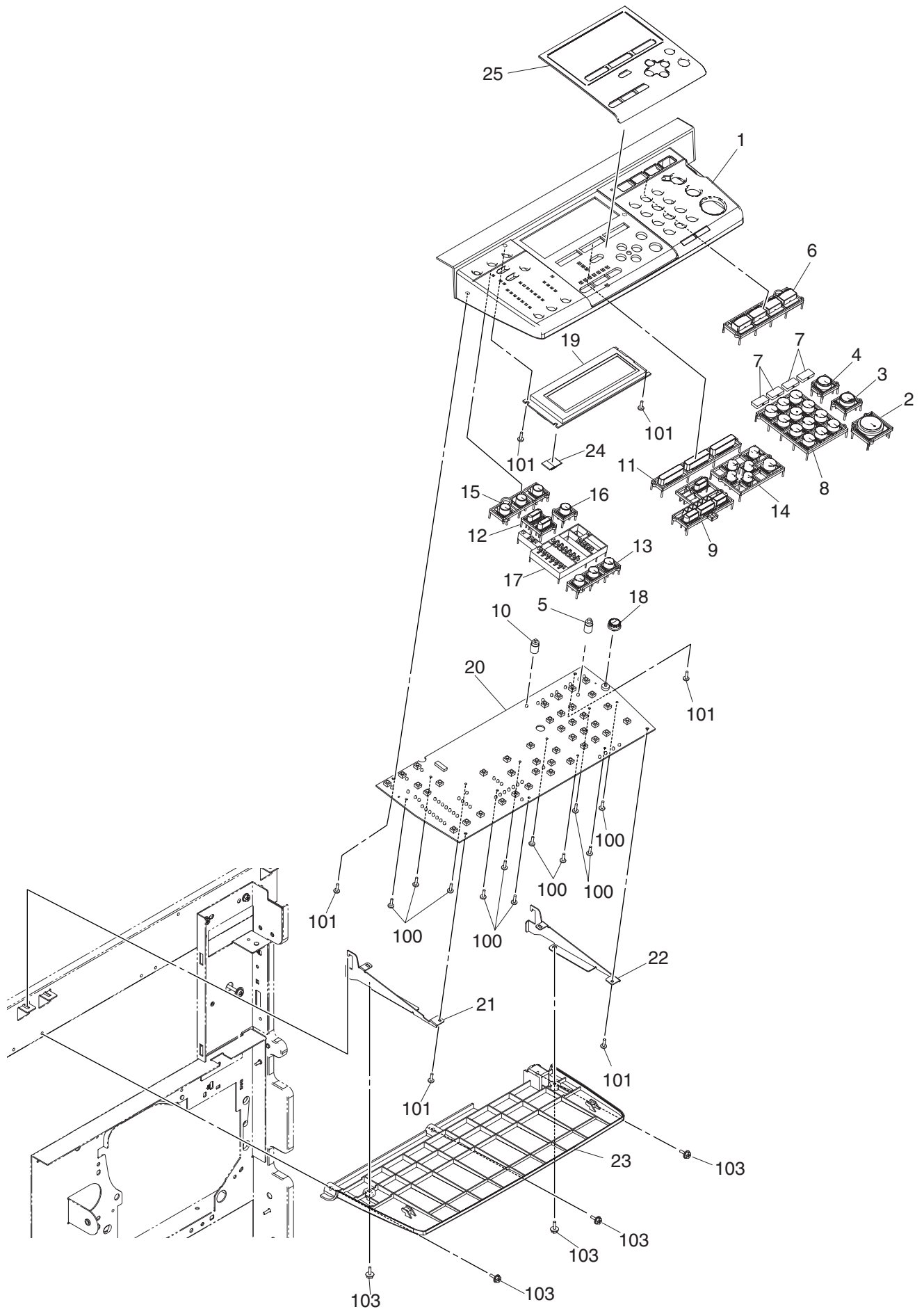


ITEM No.	PART No.	PART NAME	Q'TY / PAGE	Q'TY / PACK	P	I	R	BSI No.	TO	FROM	REMARKS
1	6LE55289000	COVER-REAR	1								
2	6LE54673000	COVER-SCAN-FRT-L	1								
5	6LE55290000	LID-COV-REAR_DF	1								
6	6LE55291000	LID-COV-REAR_PRT	1								
8	6LE55294000	LID-COV-REAR_PFU	1								
10 A	6LA47529000	LBL-LASER	1								NAD,ASD,AUD,MJD,ASU,SAD CND TWD
10 B	6LA56226000	LBL-LASER-C	1								
10 C	6LA48505000	LBL-LASER-TWD	1								
101	X0-02239000	S/TPS/FHEXM-3X8-ZU3	13								
102	X0-02243000	S/TPS/FHEXM-4X8-ZU3	2								

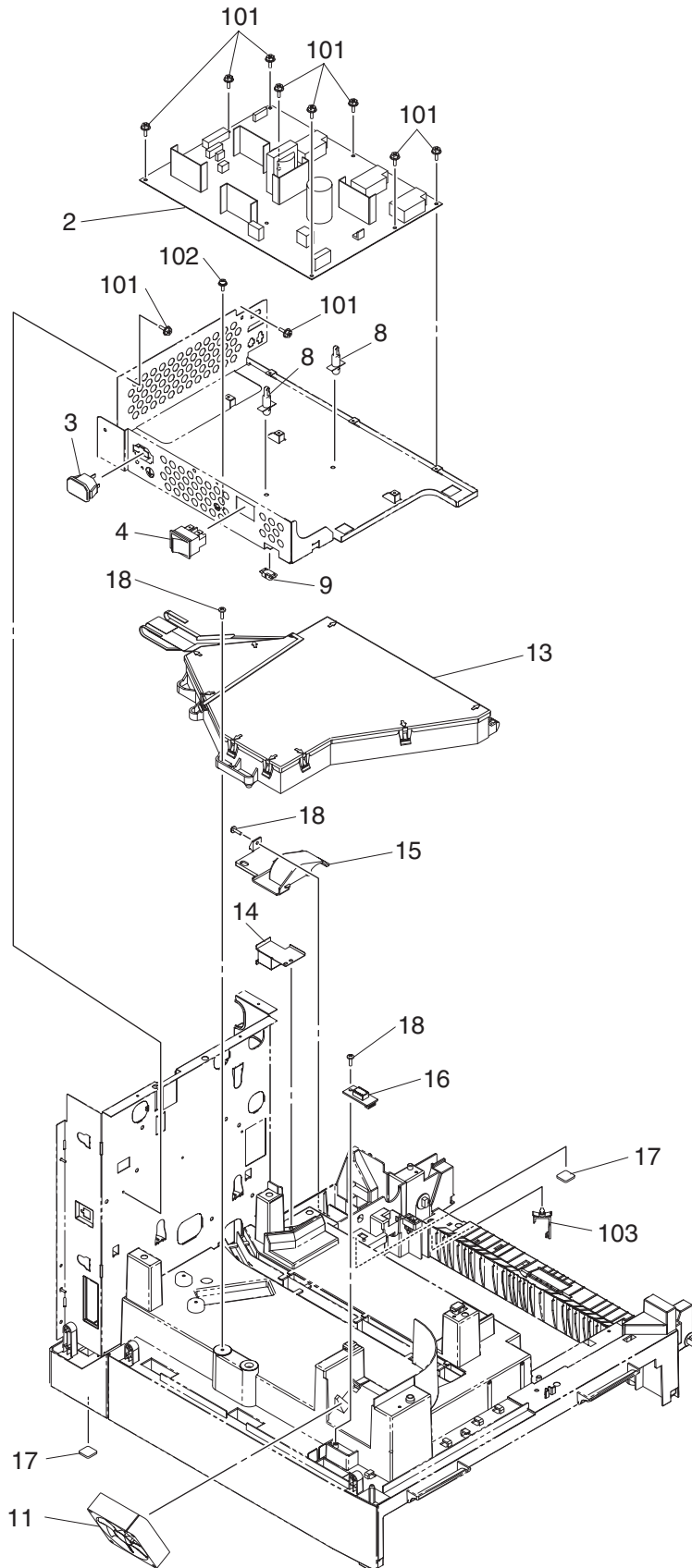




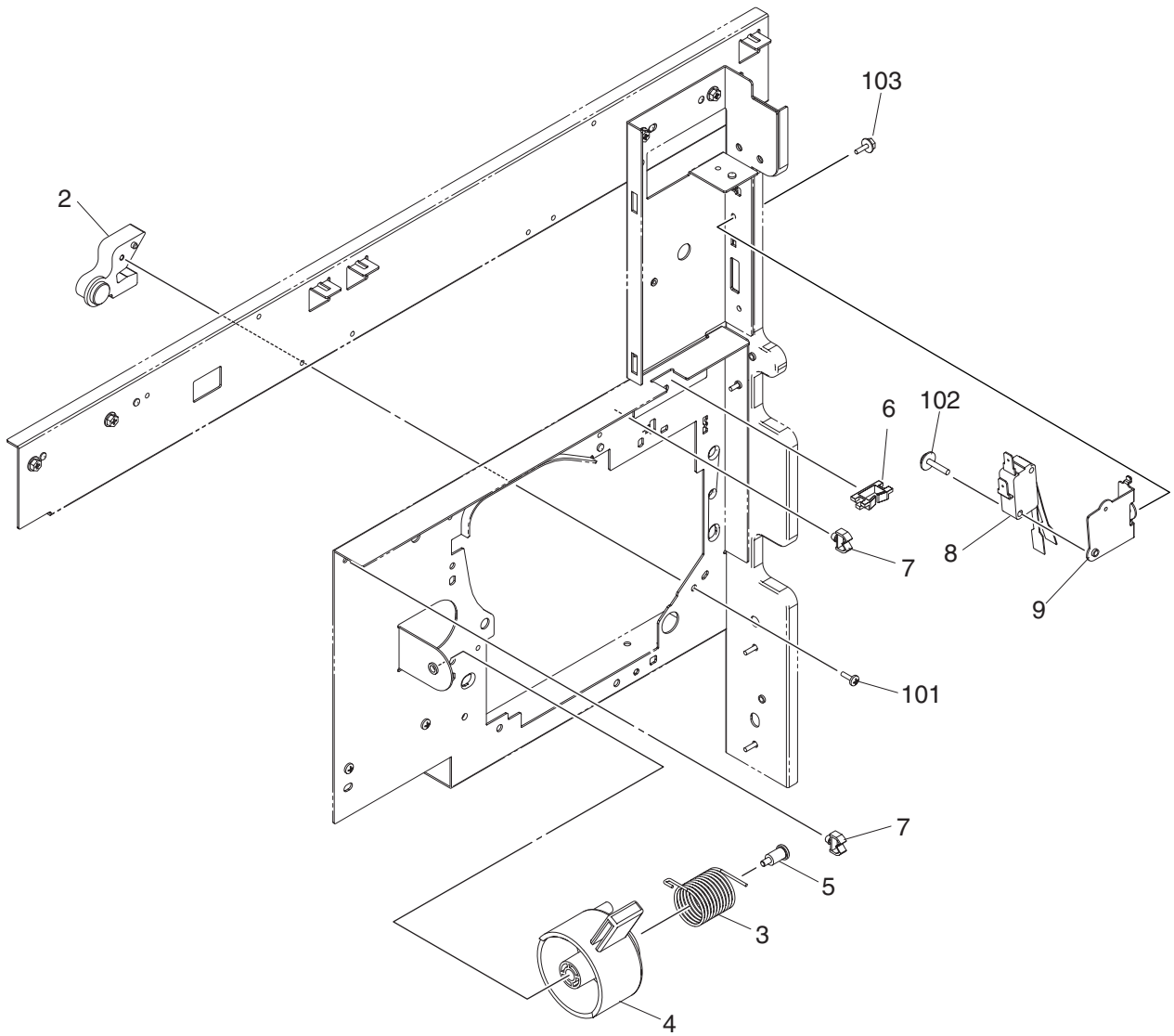






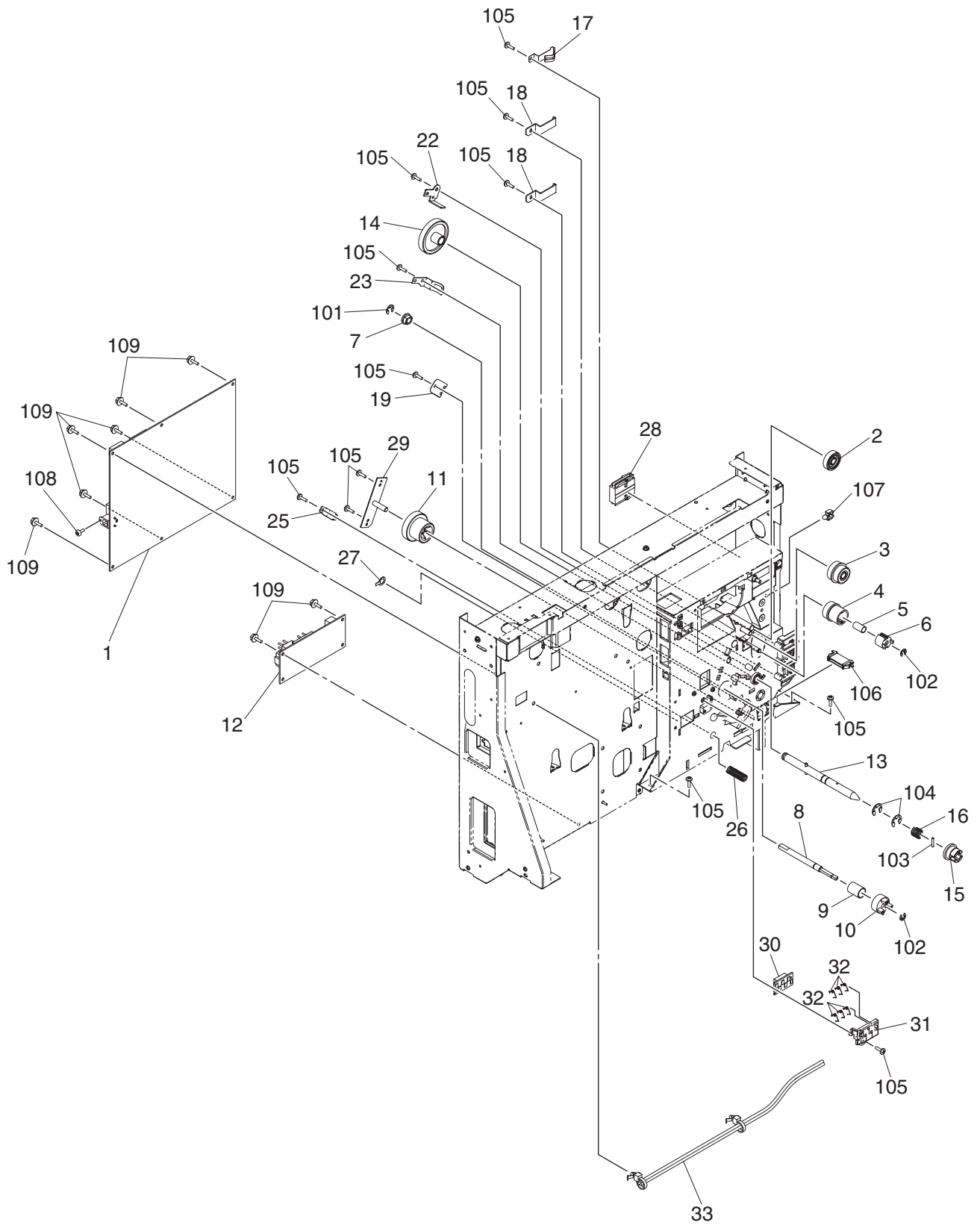




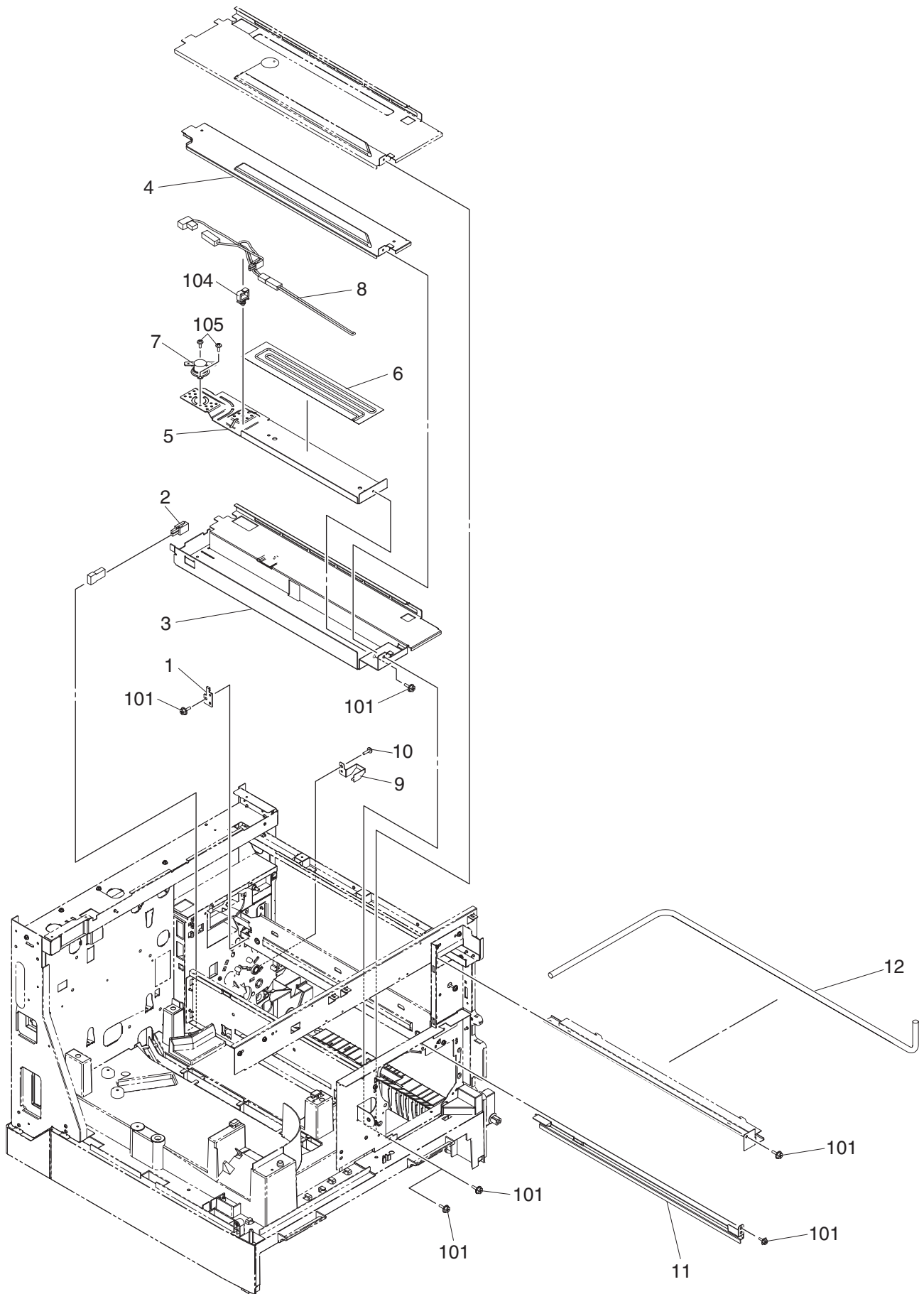




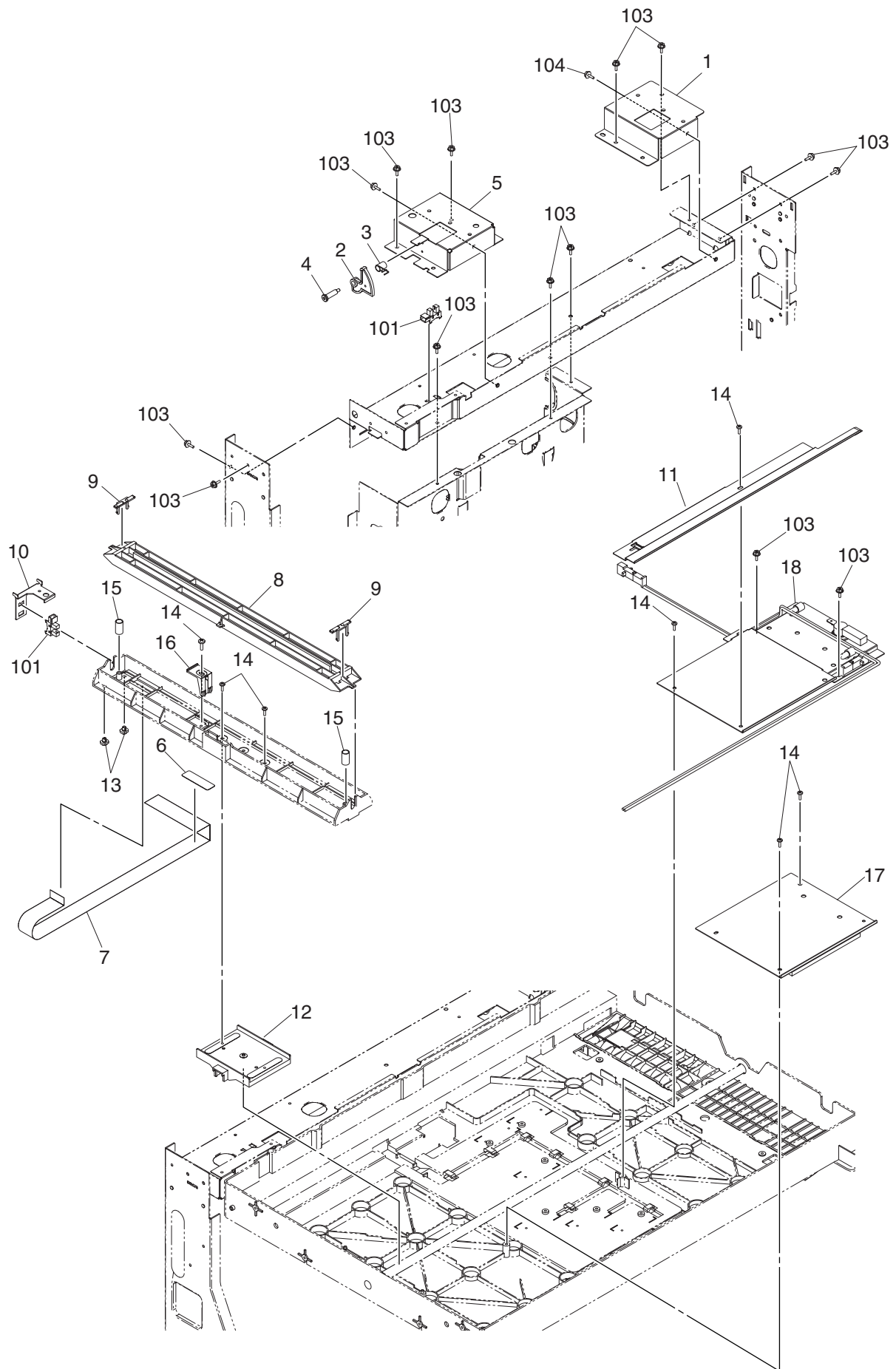




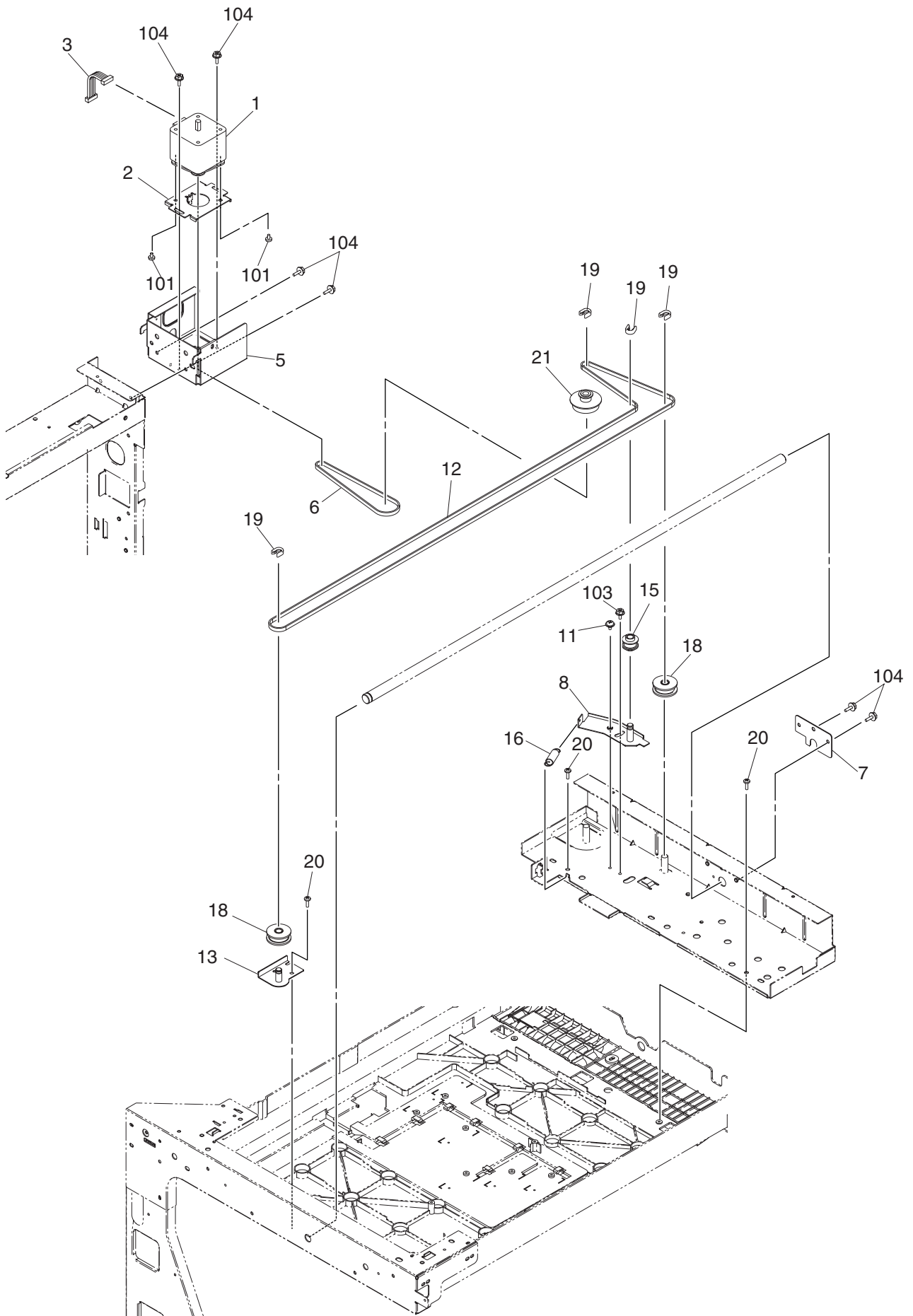






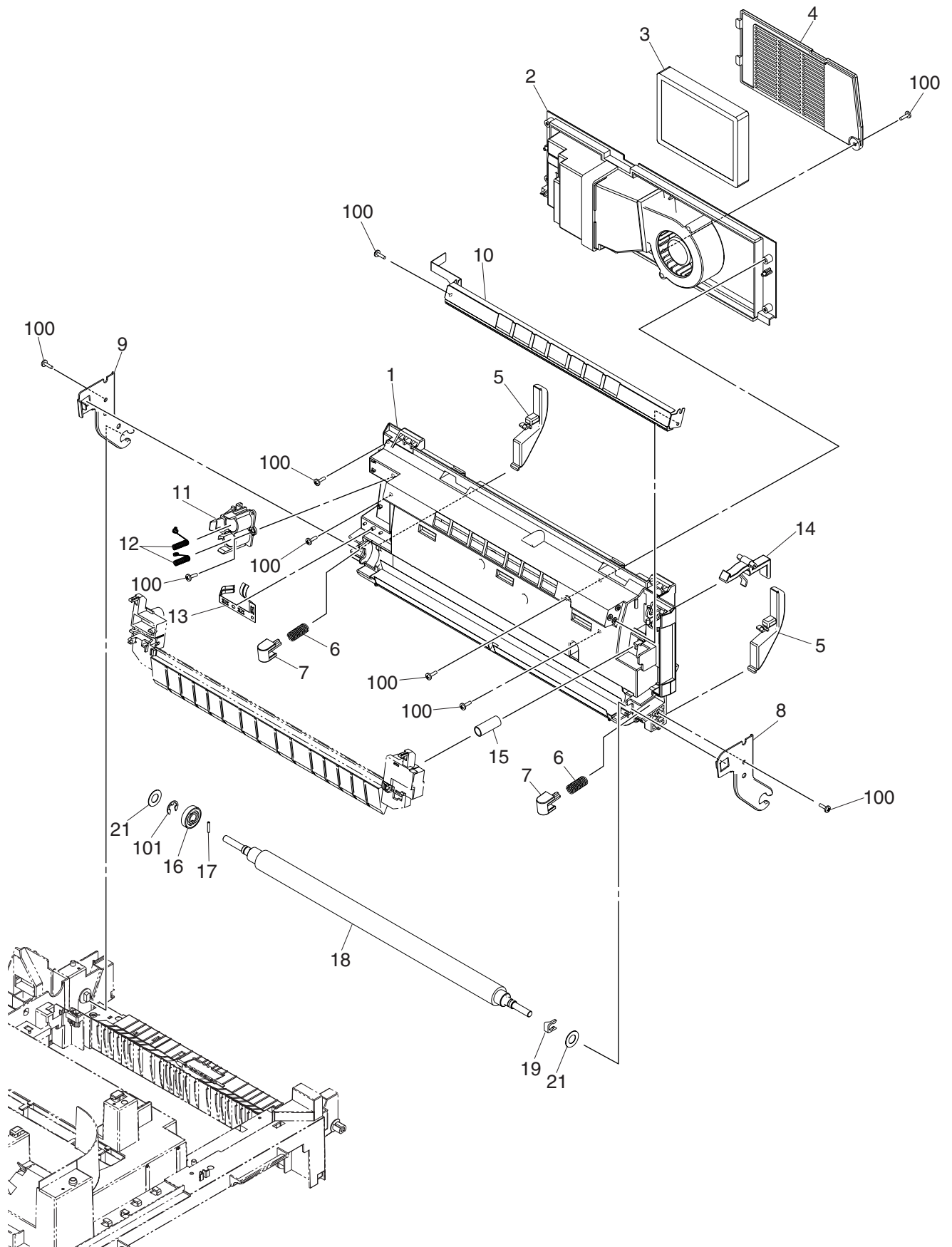




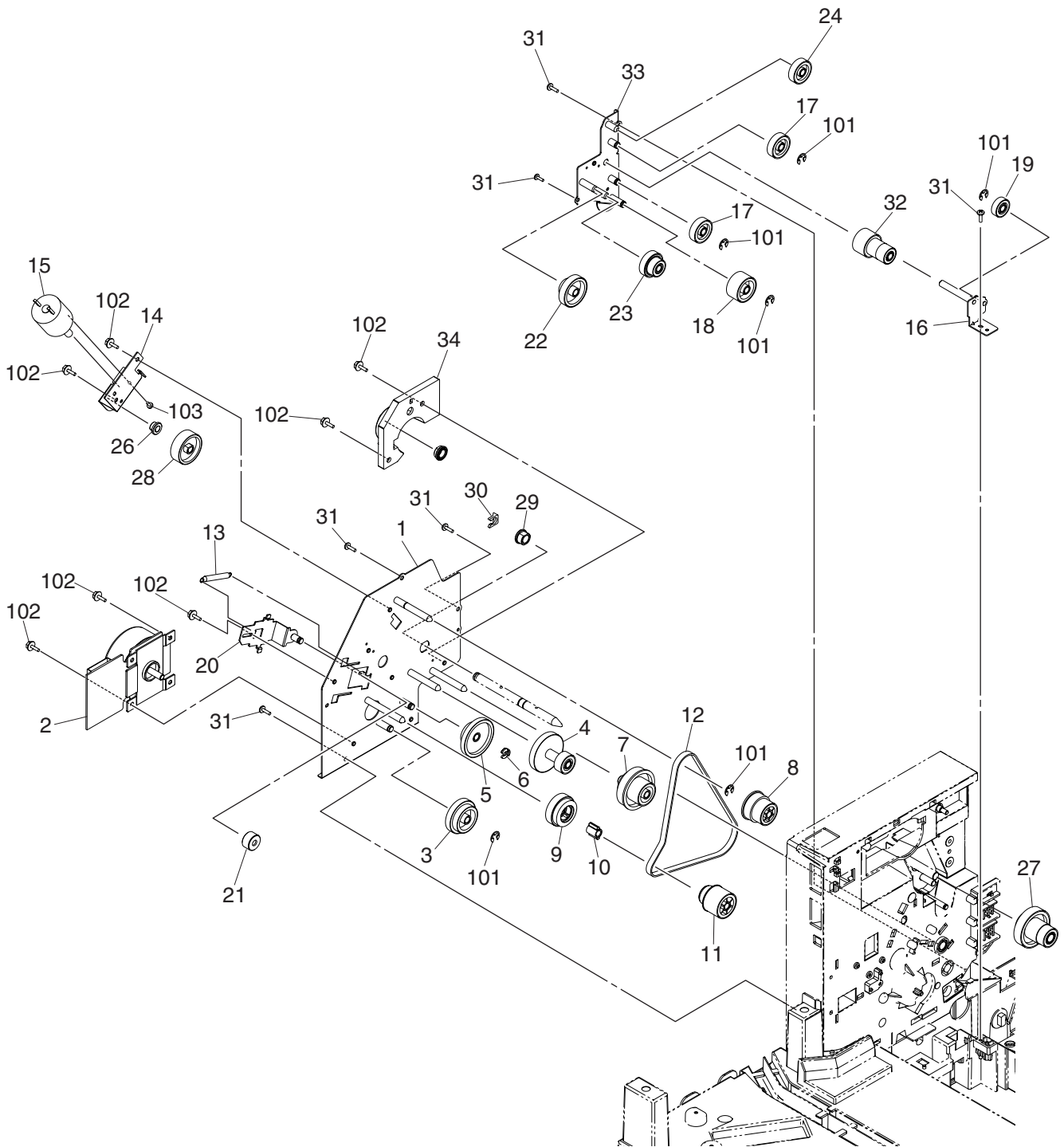




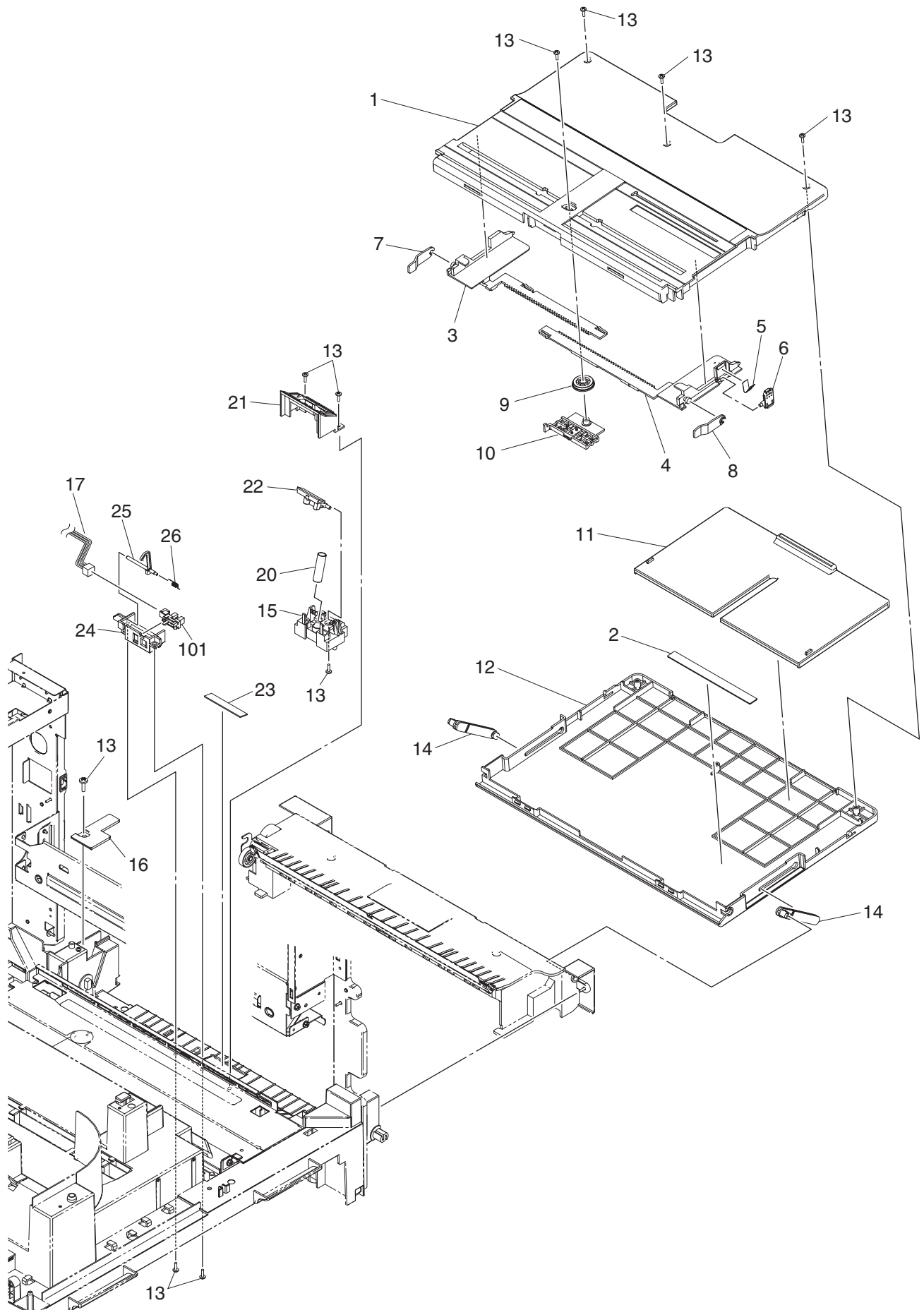




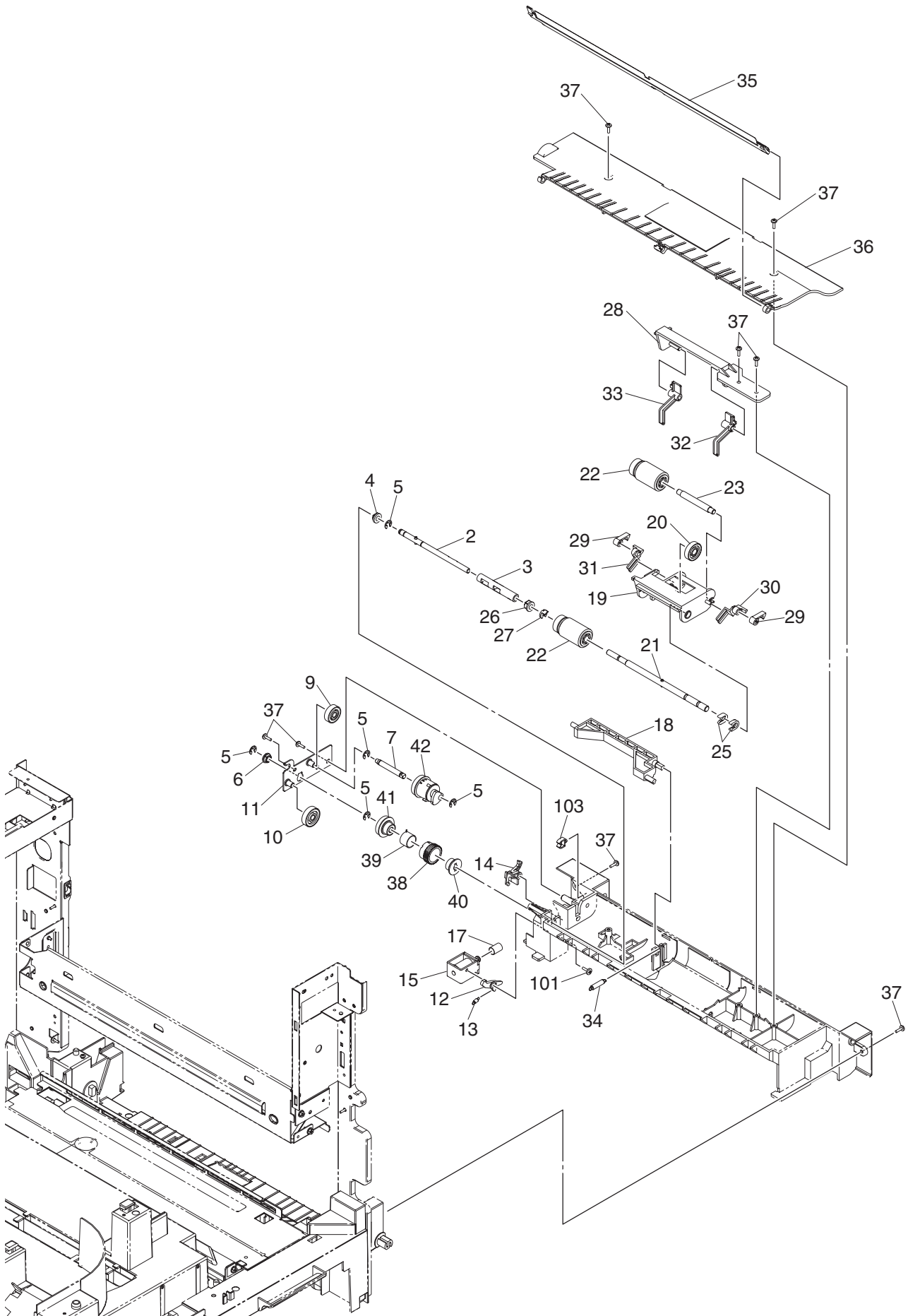






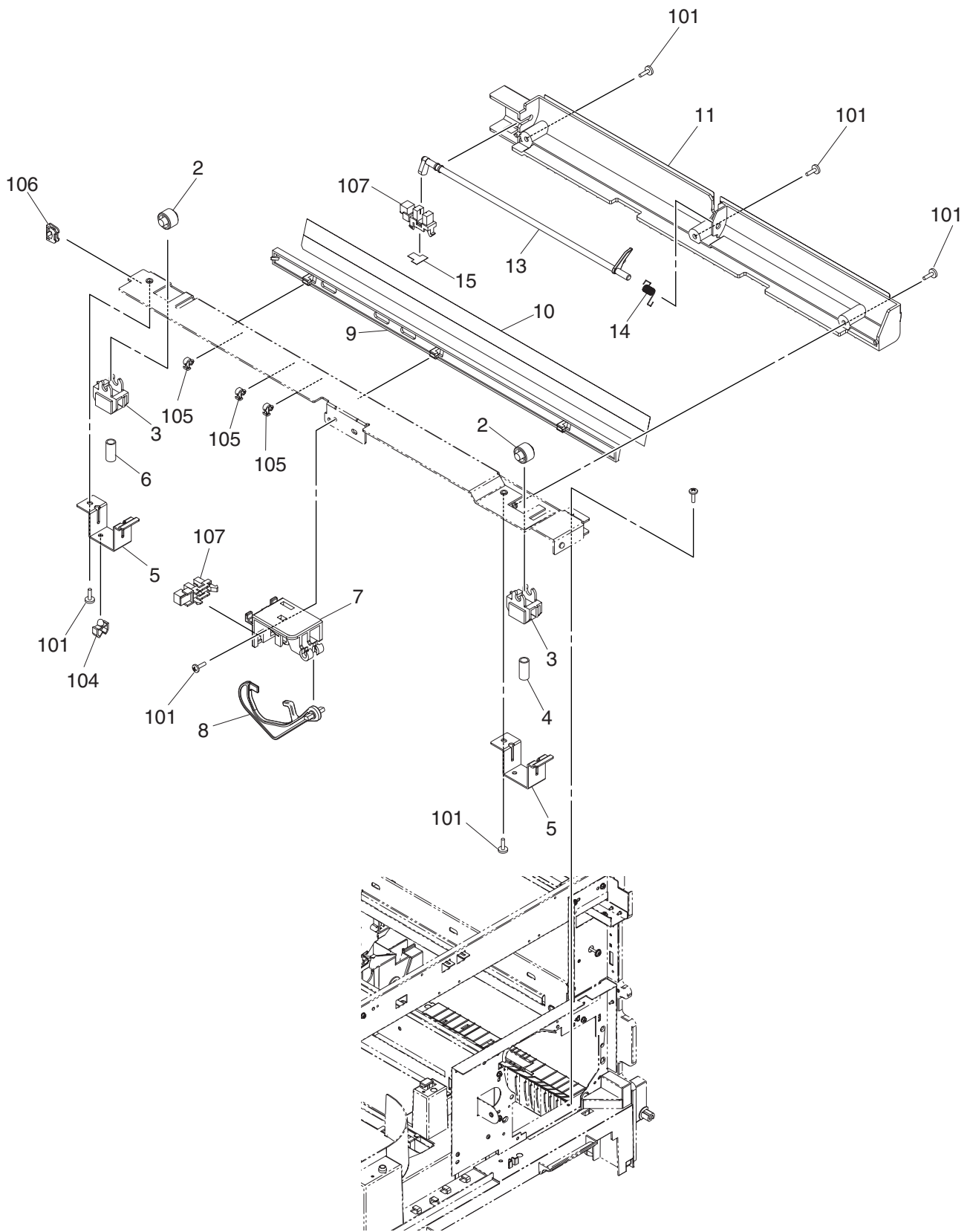




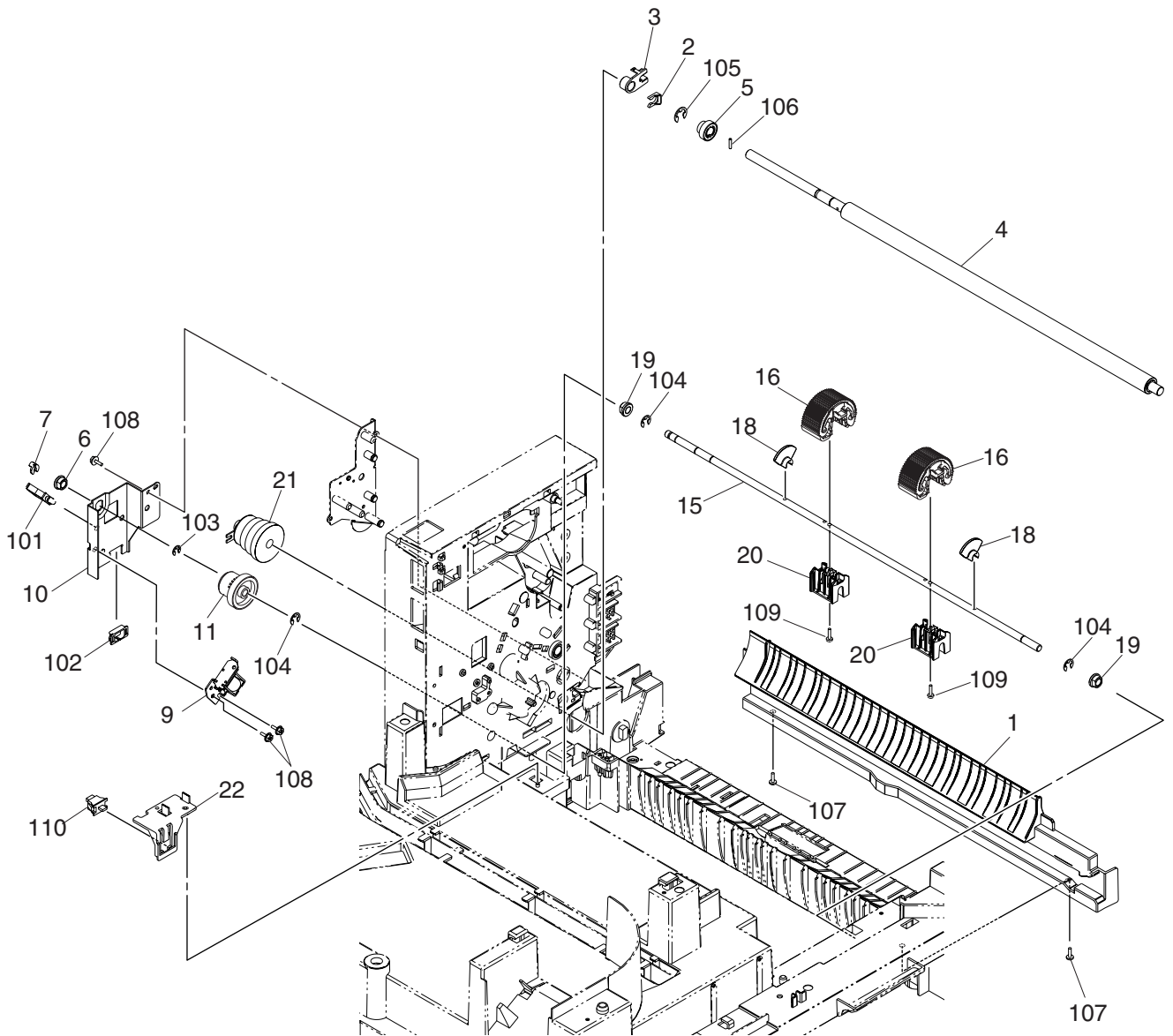




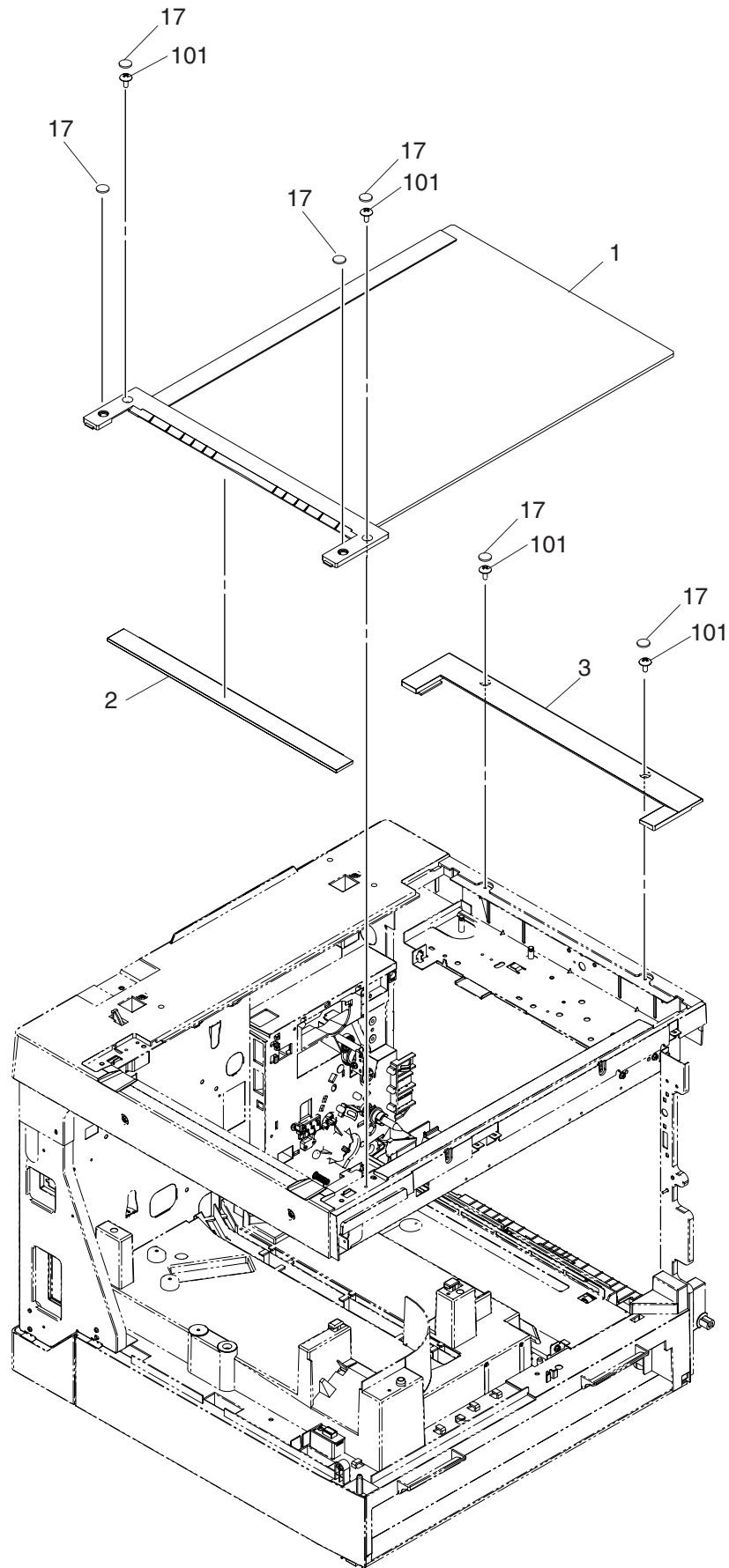




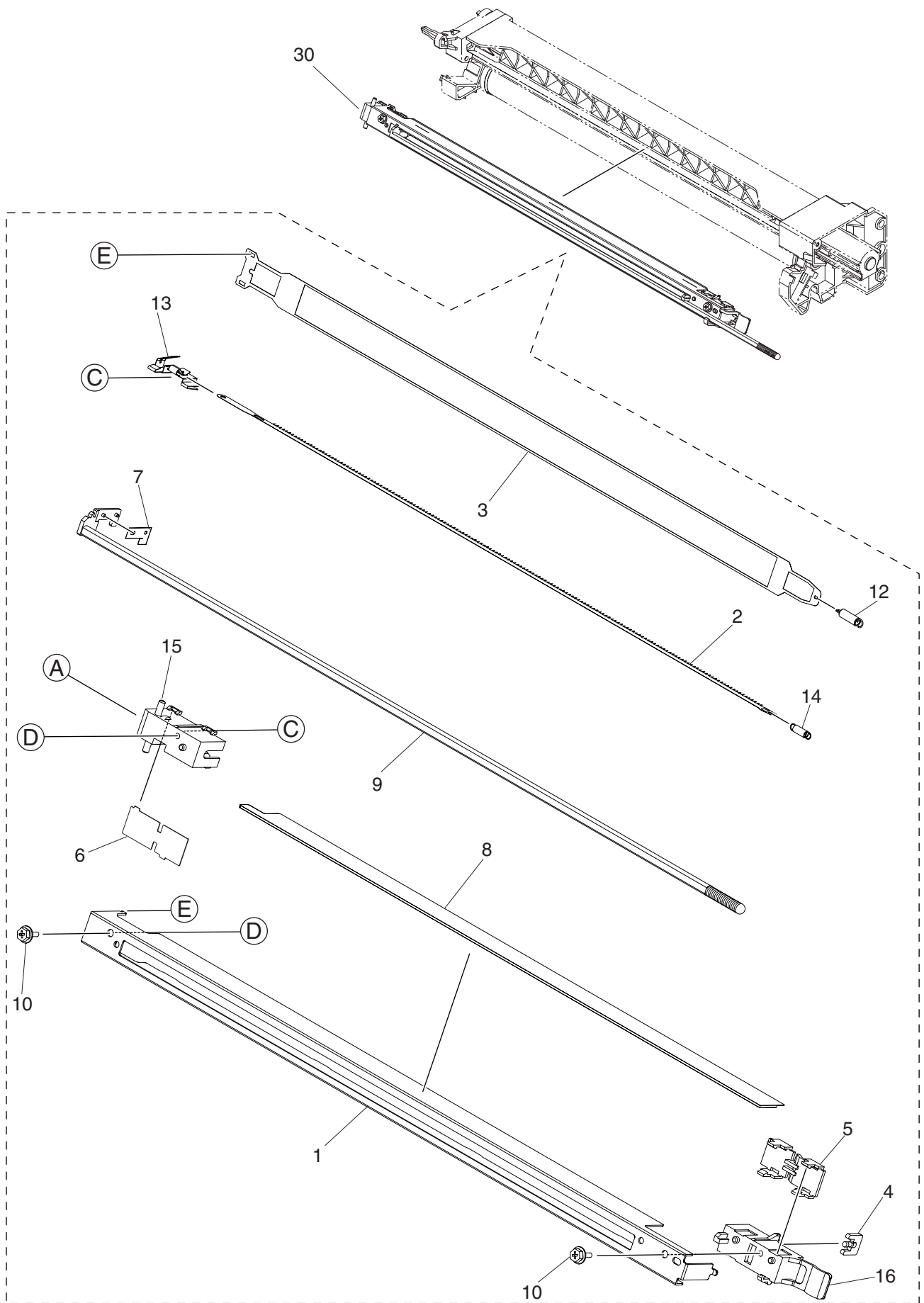
ITEM No.	PART No.	PART NAME	Q'TY / PAGE	Q'TY / PACK	P	I	R	BSI No.	TO	FROM	REMARKS
2	4402843920	ROLLER-PUSHER	2								
3	6LE57971000	PUSHER-DEV-280	2								
4	6LA82106000	SPC-PUSH-DEV-F	1								
5	6LE57970000	BRKT-HOLD-SP-280	2								
6	6LA82107000	SPC-PUSH-DEV-R	1								
7	6LE53708000	BRKT-SNSR-280	1								
8	6LE53709000	ACTR-SNSR-280	1								
9	6LE58000000	GUIDE-MYLAR-RGST	1								
10	6LE58001000	MYLAR-RGST-280	1								
11	6LE57213000	ASYS-GUIDE-RGST-L	1								
12	6LE63358000	HRNS-RGST-SW-280	1								
13	6LE57204000	ACTR-RGST-280	1								
14	6LE57220000	SPG-ACT-RGST	1								
15	6LA85910000	MYLAR-SUPPORT-SNS	1								
101	X0-02070000	S/TPS/BID-3X8-ZU3	6								
104	F0-00043000	UAMS-05SN-W	1								
105	F0-01046000	UAMS-02WL-0	3								
106	F0-00339000	EHP-6U	1								
107	C0-11250000	LG248NL1	2								



ITEM No.	PART No.	PART NAME	Q'TY / PAGE	Q'TY / PACK	P	I	R	BSI No.	TO	FROM	REMARKS
1	6LE57206000	GUIDE-LOW-280	1								
2	41306265000	STOP-RING-8	1								
3	6LE57200000	GUIDE-BUSH-RGST-R	1								
4	6LE57202000	ROLLER-RGST-DRV-280	1								
5	6LE57208000	GEAR-10S015-08	1								
6	4407734980	BUSH-6-GCB	1								
7	6LE53442000	RR/E-5-POM	1								
9	6LE56601000	SOL-F06B	1								
10	6LE53741000	PLATE-SOL-CST	1								
11	6LE53737000	ASYB-CLUCH-CST	1								
15	6LE53714000	SFT-FEED-CST-280	1								
16	6LE53727000	ASYB-CARRY-ROLL-SCKT	2								
18	6LE53721000	GUIDE-CARR-280	2								
19	44201492000	BUSH-6-POM	2								
20	6LE53734000	BLOCK-CSSTT-280	2								
21	6LE57210000	CLUTCH-G33-08D-30A	1								
22	6LE53736000	HLDR-SNSR-CSSTT	1								
101	F0-01606000	RLWT-3V0	1								
102	F0-01248000	ESC-0912	1								
103	X0-00965000	RR/E-4-SS	1								
104	X0-00966000	RR/E-5-SS	2								
105	X0-00968000	RR/E-7-SS	1								
106	X0-00980000	P/PRL/AH7-2X10-SS	1								
107	6LA80090000	S/TPP/BID-3X8-NI	2								
108	X0-02239000	S/TPS/FHEXM-3X8-ZU3	3								
109	X0-00609000	S/TPP/PAN-3X10-NI	2								
110	E0-01853000	CS1A-B2CA	1								

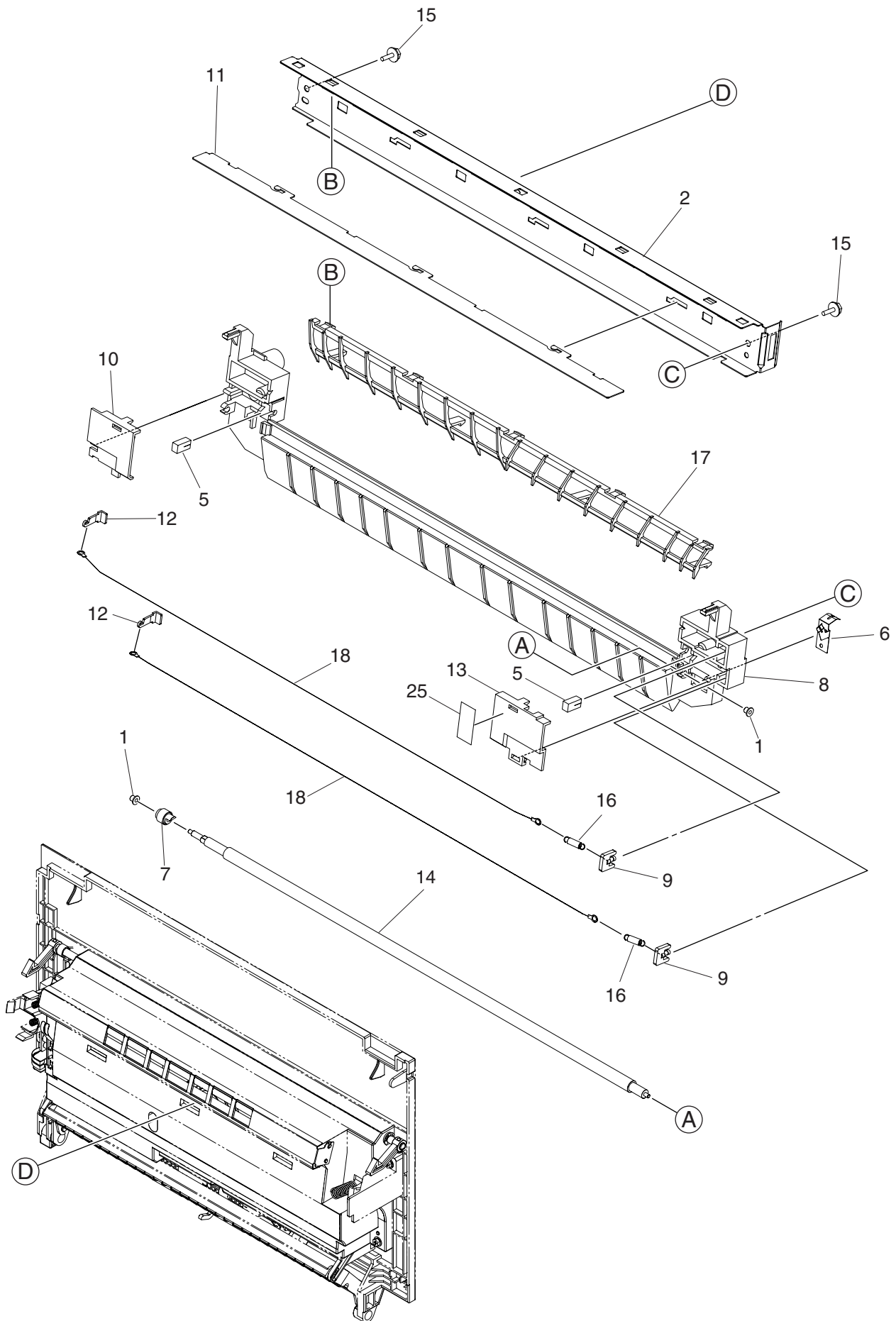


ITEM No.	PART No.	PART NAME	Q'TY / PAGE	Q'TY / PACK	P	I	R	BSI No.	TO	FROM	REMARKS
1 A	6LE60740100	ASY-GLASS-PLATEN-280-L	1								NAD
1 B	6LE60740000	ASY-GLASS-PLATEN-280-A	1								ASD,AUD,MJD,ASU,SAD
1 C	6LE60740200	ASY-GLASS-PLATEN-280-K	1								TWD,CND
2	6LE60728000	ASYS-GLASS-ADF-280	1								
3	6LE60770000	HOLDER-GLASS-280	1								
4	6LE08071000	LID-SCREW-390	6								
101	X0-00430000	S/BID-M3X6-NI	4								

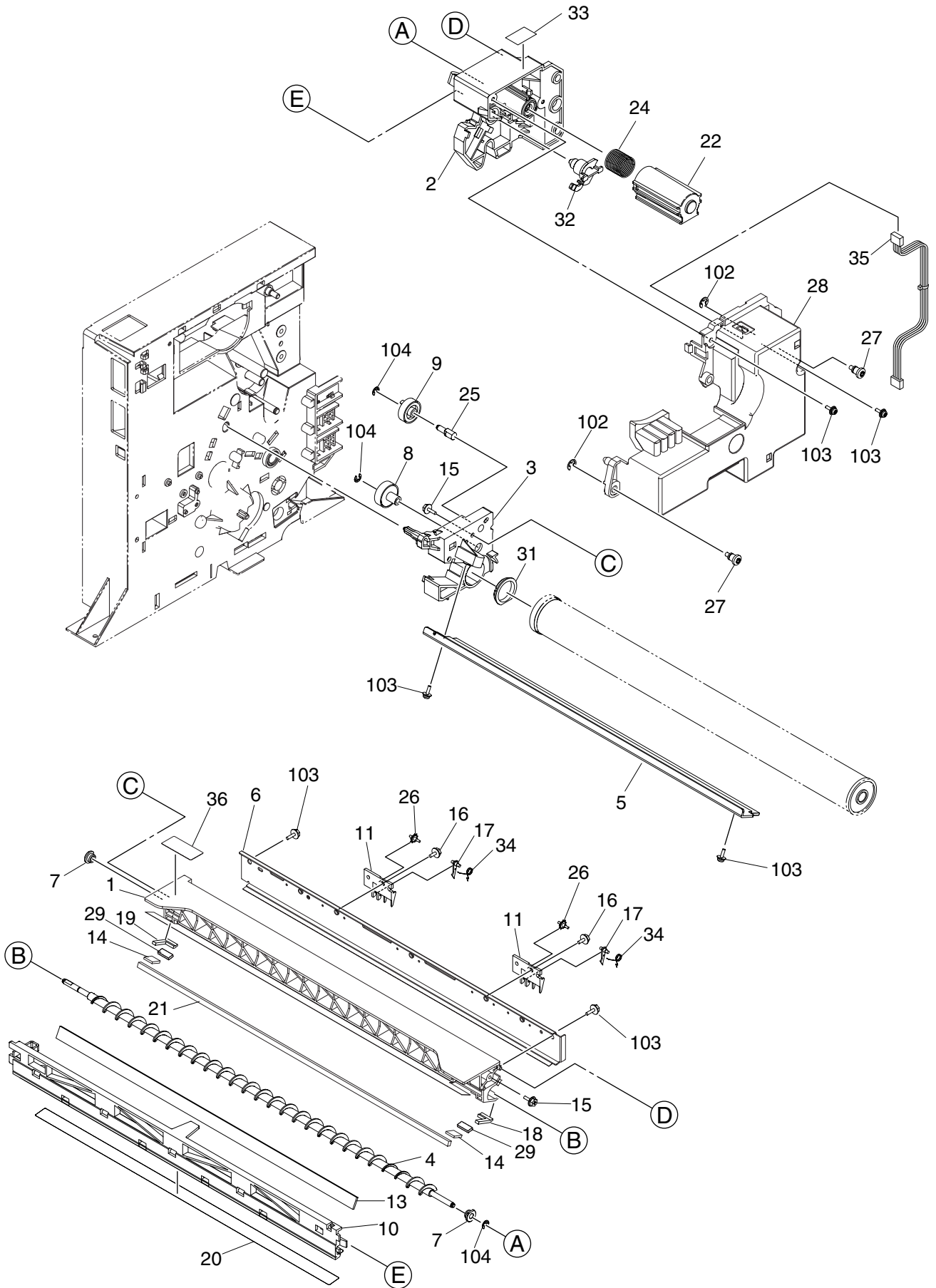


ITEM No.	PART No.	PART NAME	Q'TY / PAGE	Q'TY / PACK	P	I	R	BSI No.	TO	FROM	REMARKS
1	6LA84920000	CASE-CH-M	1								
2	6LA84925000	CH-M	1								
3	6LA84930000	GRID-CH-M-371	1								
4	4401764730	HANGER-WIRE-TR	1								
5	6LA84944000	LID-CH-M-F	1								
6	6LA84947000	LID-CH-M-R	1								
7	6LA84941000	MYLAR-CLN-CH	1								
8	6LA84957000	MYLAR-LED	1								
9	6LA84938000	ROD-CLN-CH-M	1								
10	X0-02247000	S/TTP/FH/FEXM-3X8-NI	2								
12	6LA84950000	SPE-GR	1								
13	6LA84922000	SPL-CH-M-R	1								
14	6LA84935000	SPRING-TENS-CH	1								
15	6LA84915000	TERM-CH-M-R	1								
16	6LA84910000	TERM-CH-M-F	1								
30	6LA84902000	ASY-CH-MAIN	1								

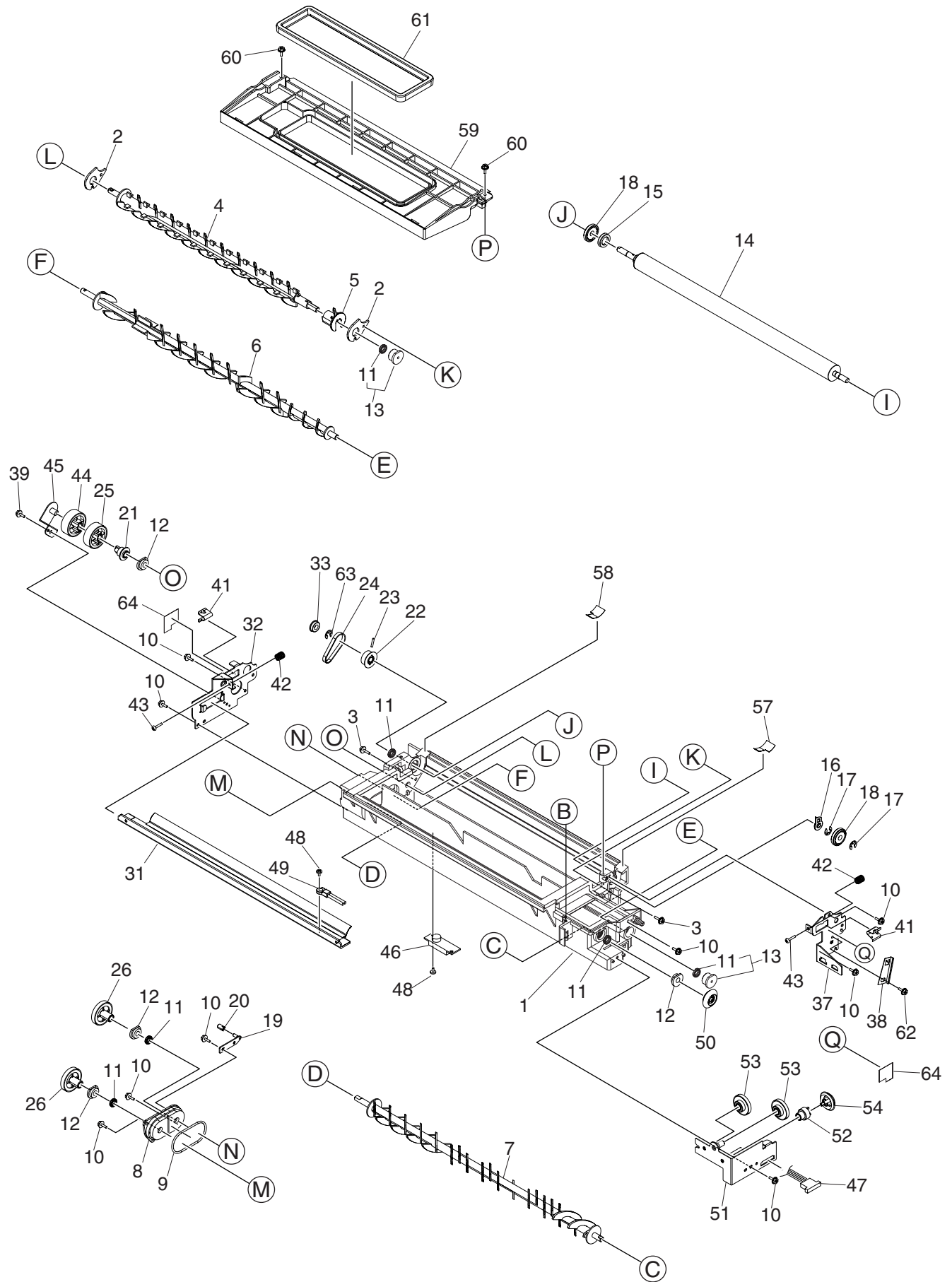




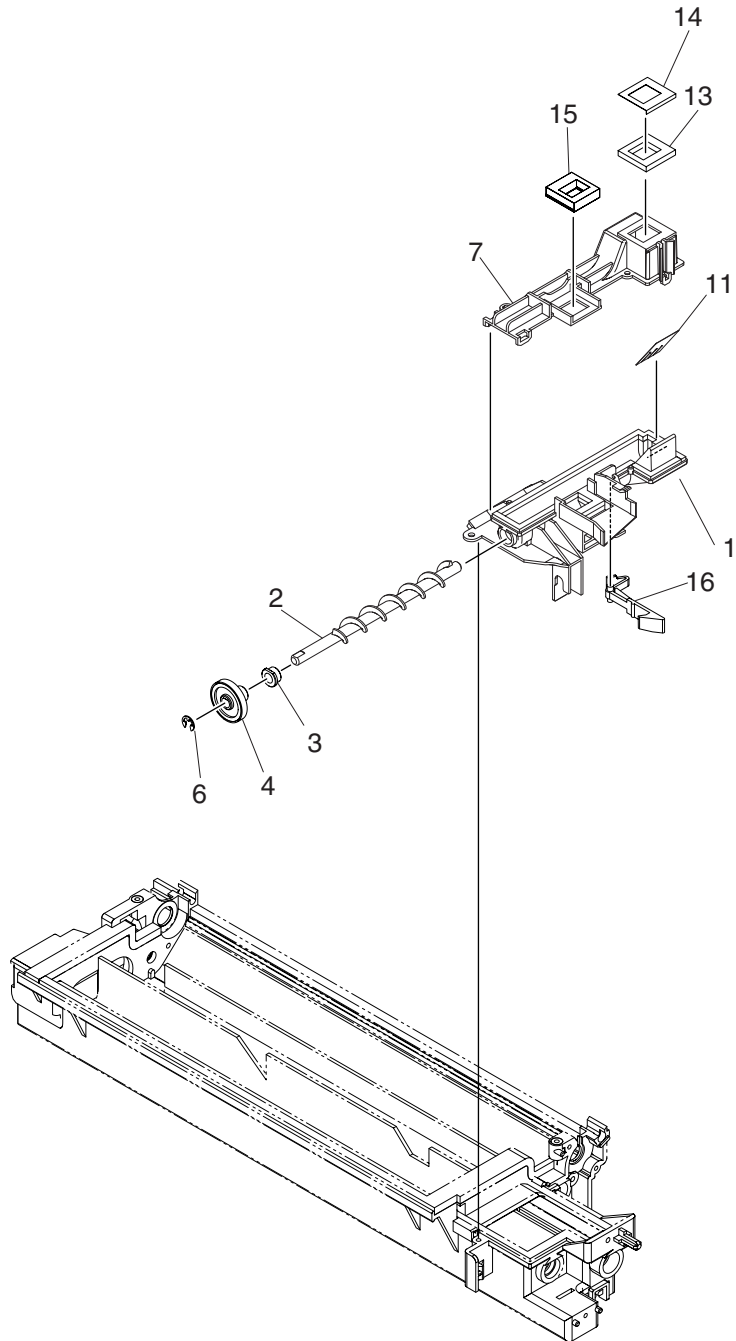
ITEM No.	PART No.	PART NAME	QTY / PAGE	QTY / PACK	P	I	R	BSI No.	TO	FROM	REMARKS
1	41306677000	BUSH-RLR-GUIDE	2								
2	6LA88230000	CASE-CH-TR	1								
5	41306712000	DAMPER	2								
6	6LA88304000	EARTH-CH-TR	1								
7	41306272000	GEAR-RLR-GUIDE	1								
8	6LE62303000	GUIDE-CH-TR-280	1								
9	4401764730	HANGER-WIRE-TR	2								
10	6LA88245000	LID-CH-TR-R	1								
11	6LA88238000	PLT-CH-TR	1								
12	44203860000	PLT-TERM-1	2								
13	6LA88244000	LID-CH-TR-F	1								
14	41306530000	ROLLER-GUIDE	1								
15	6LA80090000	S/TPP/BID-3X8-NI	2								
16	6LA84935000	SPRING-TENS-CH	2								
17	6LA88248000	SUPPORTER-371	1								
18	6LA88250000	WIRE-CH-060-353-R	2								



ITEM No.	PART No.	PART NAME	Q'TY / PAGE	Q'TY / PACK	P	I	R	BSI No.	TO	FROM	REMARKS
1	6LA79525000	ASYS-FRAME-CLN-C	1								
2	6LA79540000	ASYS-FRAME-CLN-F	1								
3	6LA79583000	FRAME-CLN-R	1								
4	6LA79600000	AUGER-CLN	1								
5	6LA27845000	BL-2320D	1								
6	6LE54020000	BLADE-REC	1								
7	6LA02920000	BUSH-0410-05F-M	2								
8	6LA79605000	GEAR-10S18-4	1								
9	6LA79606000	GEAR-10S17-4	1								
10	6LA79626000	HLDR-LED	1								
11	6LA79615000	HOLDER-SCRAPER	2								
13	6LE62741000	PWA-F-DLE-280	1								
14	6LA79547000	SEAL-BLADE-SIDE	2								
15	X0-02247000	S/TPP/FH/FEXM-3X8-NI	2								
16	X0-02230000	S/FHEXM-M3X6-NI	2								
17	6LA79618000	SCRAPER-371	2								
18	6LA79546000	SEAL-CLN-F	1								
19	6LA79586000	SEAL-CLN-R	1								
20	6LA79628000	MYLAR-HLDR-LED	1								
21	6LA79531000	SEAL-CLN-C	1								
22	6LA79609000	SHUTTER-CLN	1								
24	6LA79612000	SPC-NZL-CLN	1								
25	6LA79554000	STUD-GEAR-CLN	1								
26	41306325000	WHEEL-CLN-8	2								
27	6LE56120000	SCREW-PU-F	2								
28 A	6LA79653100	COV-PU-F-U	1								NAD
28 B	6LA79653200	COV-PU-F-E	1								MJD
28 C	6LA79653300	COV-PU-F-D	1								ASD,AUD,ASU,SAD,TWD,CND
29	6LA79534000	SEAL-SIDE-REC	2								
31	41306135000	BUSH-1821*03-M	1								
32	6LA79622000	PIN-DRUM-371	1								
33	6LA91423000	LBL-HNDL-CLNR	1								
34	41305536000	SPD-SCRPR-DRUM	2								
35	6LE88066000	HRNS-DLE2-377	1								
36	6LE56130000	LBL-INSERT-PU	1								
102	X0-00965000	RR/E-4-SS	2								
103	6LA80090000	S/TPP/BID-3*8-NI	6								
104	X0-00974000	RR/E-2.5-SS	3								

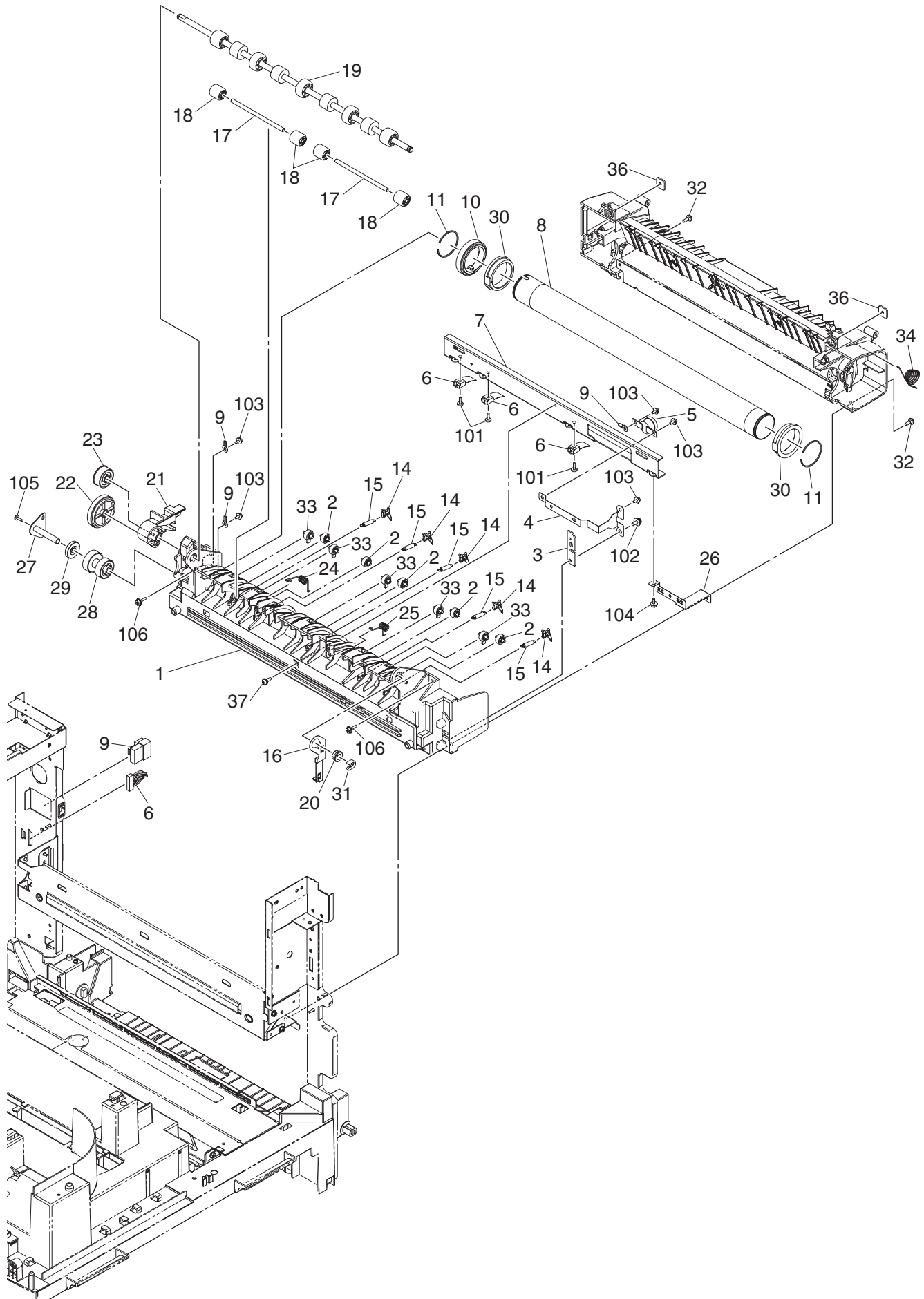


ITEM No.	PART No.	PART NAME	Q'TY / PAGE	Q'TY / PACK	P	I	R	BSI No.	TO	FROM	REMARKS
1	6LE55918000	ASYS-CASE-DEV-280	1								
2	6LA81632000	PLATE-SIDE	2								
3	X0-02232000	S/FHEXM-M3X10-NI	2								
4	6LA81635000	MIXER-1-371	1								
5	6LA81636000	SPACER-MIX	1								
6	6LA81639000	ASYS-MIXER-2	1								
7	6LA81643000	MIXER-3-371	1								
8	6LE55966000	BUSH-DEV-R-280	1								
9	6LE55967000	SEAL-BUSH-DEV-R	1								
10	6LA80090000	S/TPP/BID-3X8-NI	11								
11	4401949290	SEAL-VC6-10-2.5	6								
12	6LA65696000	BUSH-6X12X4R8F	4								
13	6LA81645000	ASYS-BUSH-0613-07	2								
14	6LA81650000	ROLLER-MG-371	1								
15	4401950220	V-RING-MG-210	1								
16	6LA81652000	BUSH-DEV	1								
17	X0-00965000	RR/E-4-SS	2								
18	6LA81662000	ROLL-GUIDE-371	2								
19	6LA81678000	ASYS-BKT-DEV-TENS	1								
20	4401950980	COLLAR-DEV-TENS	1								
21	6LA81670000	PULLY-2GT16-6	1								
22	6LA81666000	PULLY-2GT27-6	1								
23	X0-00980000	P/PRL/AH7-2X10-SS	1								
24	6LA81674000	BLT/T-2GT-92	1								
25	6LA81677000	GEAR-10S27-CUP	1								
26	4402439380	GR-10H27-5-06	2								
31	6LA81656000	ASYS-DOCTOR-371	1								
32	6LA81691000	BRKT-DEV-R-371	1								
33	F0-00781000	LF-1260ZZ	1								
37	6LA81711000	BRKT-DEV-F-371	1								
38	6LA81718000	ADJUSTER-MG	1								
39	X0-02239000	S/TPS/FHEXM-3X8-ZU3	2								
41	4401949700	SPL025-S631-DC2	2								
42	4400672520	SPC060-065-0130	2								
43	6LA81610000	SCREW-DOCTOR-371	2								
44	6LA81724000	GEAR-10S28-6	1								
45	6LA81729000	ASYS-BRKT-DRV	1								
46	6LE63990000	SNSR-ATC-280	1								
47	6LE63301000	HRNS-ATS-280	1								
48	X0-01725000	S/BID-M3X5-BSNI	1								
49	6LA89113000	THMS-DRM-371	1								
50	6LA81685000	GEAR-10B22-6	1								
51	6LE55970000	ASYS-BRKT-RECY	1								
52	6LA81888000	GEAR-8S15-6	1								
53	6LE55980000	GEAR-8S29_8S18-6	1								
54	6LA81881000	GEAR-10B22-6-CUP	1								
57	6LA81780000	SHEET-MG-F	1								
58	6LA81781000	SHEET-MG-R	1								
59	6LA81790000	ASYS-COV-DEV	1								
61	6LA81700000	COVER-DEV-BTL-371	1								
62	X0-00077000	S/PAN/SWWP-M3X8-NI	1								
63	X0-00966000	RR/E-5-SS	1								
64	6LA81714000	MYLAR-DOC-SLIDE	2								

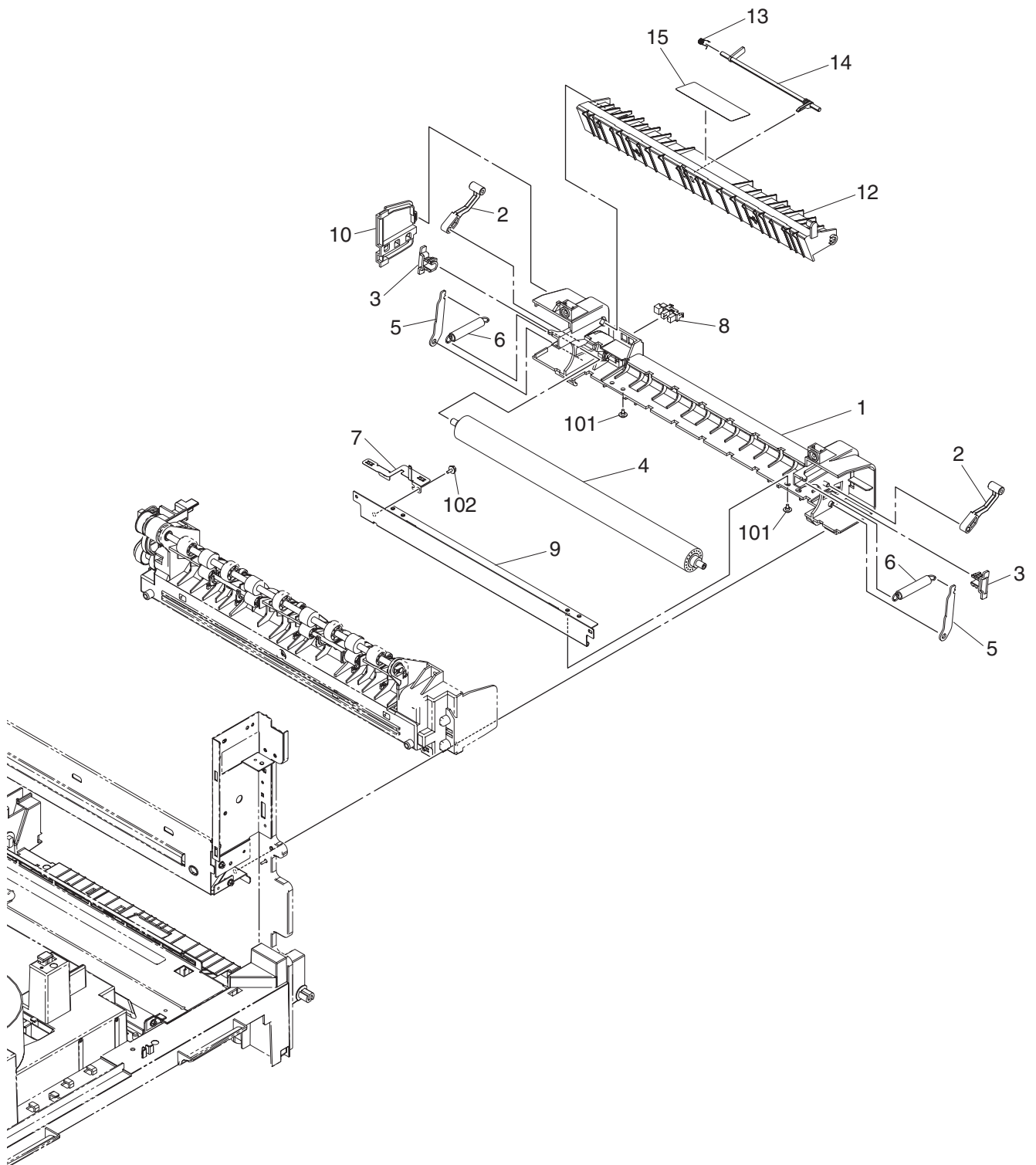


ITEM No.	PART No.	PART NAME	Q'TY / PAGE	Q'TY / PACK	P	I	R	BSI No.	TO	FROM	REMARKS
1	6LE56021000	ASYS-COV-NOZLE-280	1								
2	6LE56030000	AUGER-RECY-280	1								
3	6LA81925000	BUSH-0611-06F-M	1								
4	6LA81936000	GEAR-8S22-6	1								
6	6LA80090000	S/TPP/BID-3X8-NI	1								
7	6LE56035000	COVER-RECY-280	1								
11	6LE56040000	MYLAR-VIB-TNR	1								
13	6LA81953000	SEAL-RECY-CLN	1								
14	6LA81952000	MYLAR-RECY-CLN	1								
15	6LA81955000	ASYS-TNR-IN	1								
16	6LA81707000	STOPPER-LID-371	1								

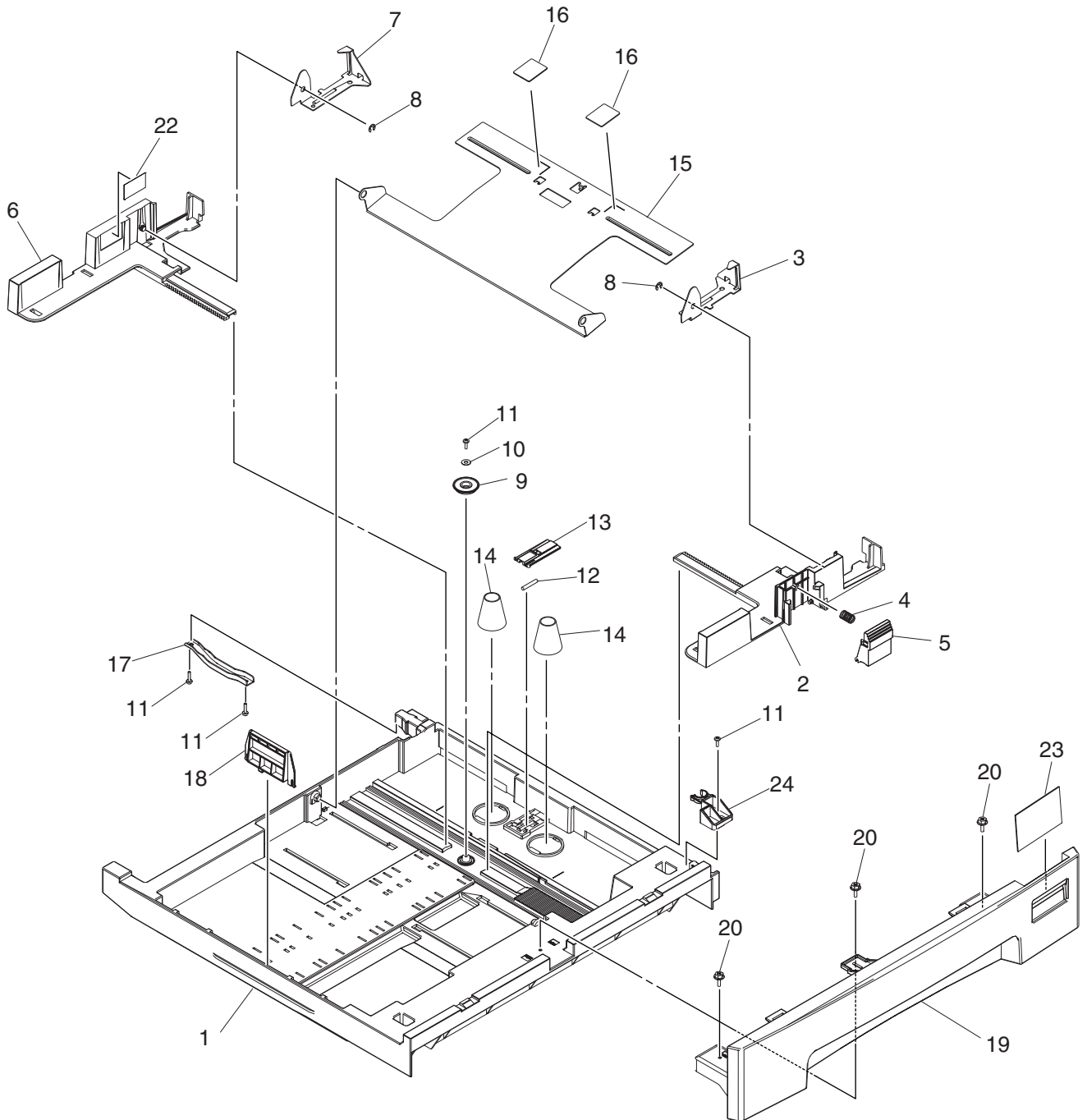




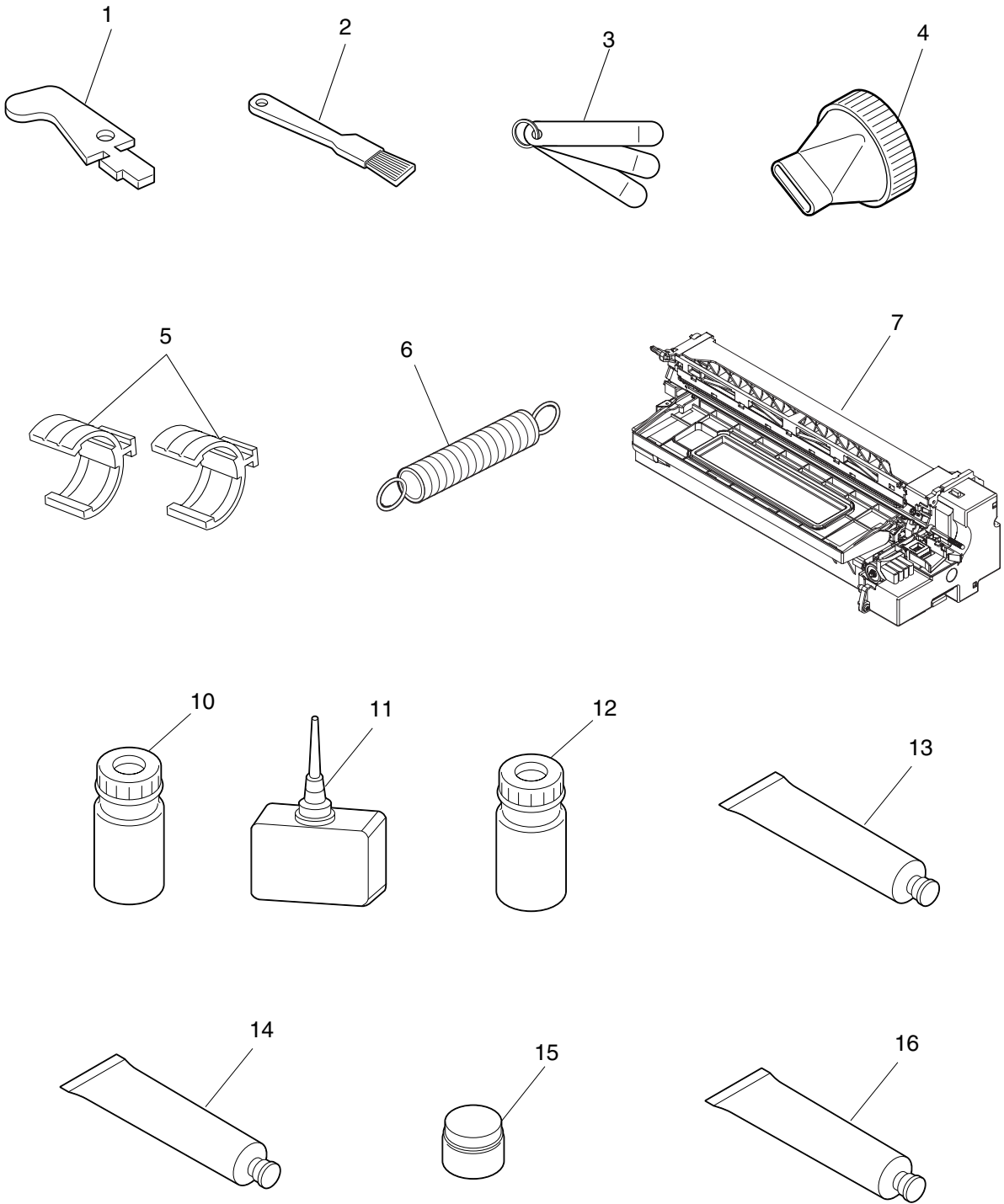
ITEM No.	PART No.	PART NAME	Q'TY / PAGE	Q'TY / PACK	P	I	R	BSI No.	TO	FROM	REMARKS
1	6LE58460000	FRAME-FUS-HR-280	1								
2	6LA82550000	ROLL-GUIDE-EXIT	5								
3	6LE58560000	PLT-NUT-LMP-280	1								
4	6LE58575000	PLT-THMS-LMP-280	1								
5	6LE64002000	THRMST-HTR-280	1								
6	6LE63998000	THMS-HTR-280	1								
7	6LE58520000	ASYS-HLD-THMS-280	1								
8	6LE19935000	HR-1640-U	1								
9	6LE63314000	HRNS-LP-ACIN2-280	1								
10	6LA84182000	GEAR-HR-RLR	1								
11	41305515000	CRR-HT/RLR	2								
12 A	6LA84100100	LAMP-HTR-C-371-NAD	1								NAD
12 B	6LA84100200	LAMP-HTR-C-371-MJD	1								ASD,AUD,MJD
13 A	6LA84101100	LAMP-HTR-S-371-NAD	1								NAD,SAD
13 B	6LA84101200	LAMP-HTR-S-371-MJD	1								ASD,AUD,MJD,ASU,TWD,CND
14	6LE58590000	SCRAPER-280	5								
15	6LA84096000	SPE-SCR-HR-371	5								
16	6LE58530000	EARTH-FUS-EXIT	1								
17	6LE58600000	SFT-EXIT-IDLE-280	2								
18	44203198000	ROLL-EXIT-L-320	4								
19	6LE58580000	ROLLER-EXIT-280	1								
20	4407734980	BUSH-6-GCB	1								
21	6LE58550000	HLDR-GEAR-EXIT-280	1								
22	6LE58540000	GEAR-10S35-5	1								
23	6LE58570000	GEAR-10S20-8	1								
24	6LE58611000	SPG-T-EXIT-R-280	1								
25	6LE58615000	SPG-T-EXIT-F-280	1								
26	6LE58535000	EARTH-FUS-HEAT	1								
27	6LE58490000	ASYS-GEAR-HR-EXIT	1								
28	6LA84140000	GEAR-10H21_10S20-6-FUS	1								
29	6LA84142000	ROL-IDLE-FUS-371	1								
30	41306059000	BUSH-HR/RLR	2								
31	4407972860	STOP-RING-6-5	1								
32	6LA39653000	SCREW-BRKT-CCD-350	2								
33	6LE58505000	ROLL-GUIDE-EXIT-280	5								
34	6LE58886000	SPG-T-GUIDE-OPEN-2	1								
35	6LE58770000	SPG-E-FUS-GEAR	1								
36	6LE58564000	PLT-NUT-FUS-280	2								
37	6LA36276000	SCREW-M3-FUS-C	1								
101	X0-00434000	S/BID-M3X8-NI	3								
102	X0-00164000	S/PAN/SWWP-M4X8-NI	1								
103	X0-00060000	S/PAN/SWWP-M3X6-NI	5								
104	X0-02238000	S/TPS/FHEXM-3X6-ZU3	1								
105	6LA80090000	S/TPP/BID-3X8-NI	1								
106	X0-02232000	S/FHEXM-M3X10-NI	2								



ITEM No.	PART No.	PART NAME	Q'TY / PAGE	Q'TY / PACK	P	I	R	BSI No.	TO	FROM	REMARKS
1	6LE58660000	FRAME-FUS-PR-280	1								
2	6LE58710000	LVR-P-REL-280	2								
3	6LE58690000	BUSH-PR-280	2								
4	6LE19936000	HR-1640-L	1								
5	6LE58720000	LVR-PRESS-280	2								
6	6LE58750000	SPE-PR-280	2								
7	6LE58700000	EARTH-FUS-PRS-280	1								
8	C0-11250000	LG248NL1	1								
9	6LE58880000	GUIDE-ENT-FUS-280	1								
10	6LE58870000	COV-FUS-RER-280	1								
11	6LE63299000	HRNS-EXIT-280	1								
12	6LE58840000	GUIDE-OPEN-FUS-280	1								
13	6LE58860000	SPG-T-ACT-EXIT-280	1								
14	6LE58760000	ACTR-EXIT-280	1								
15	6LE58890000	LBL-W-HOT-280	1								
101	41306916000	SCREW-SPEAKER	2								
102	X0-02238000	S/TPS/FHEXM-3X6-ZU3	1								

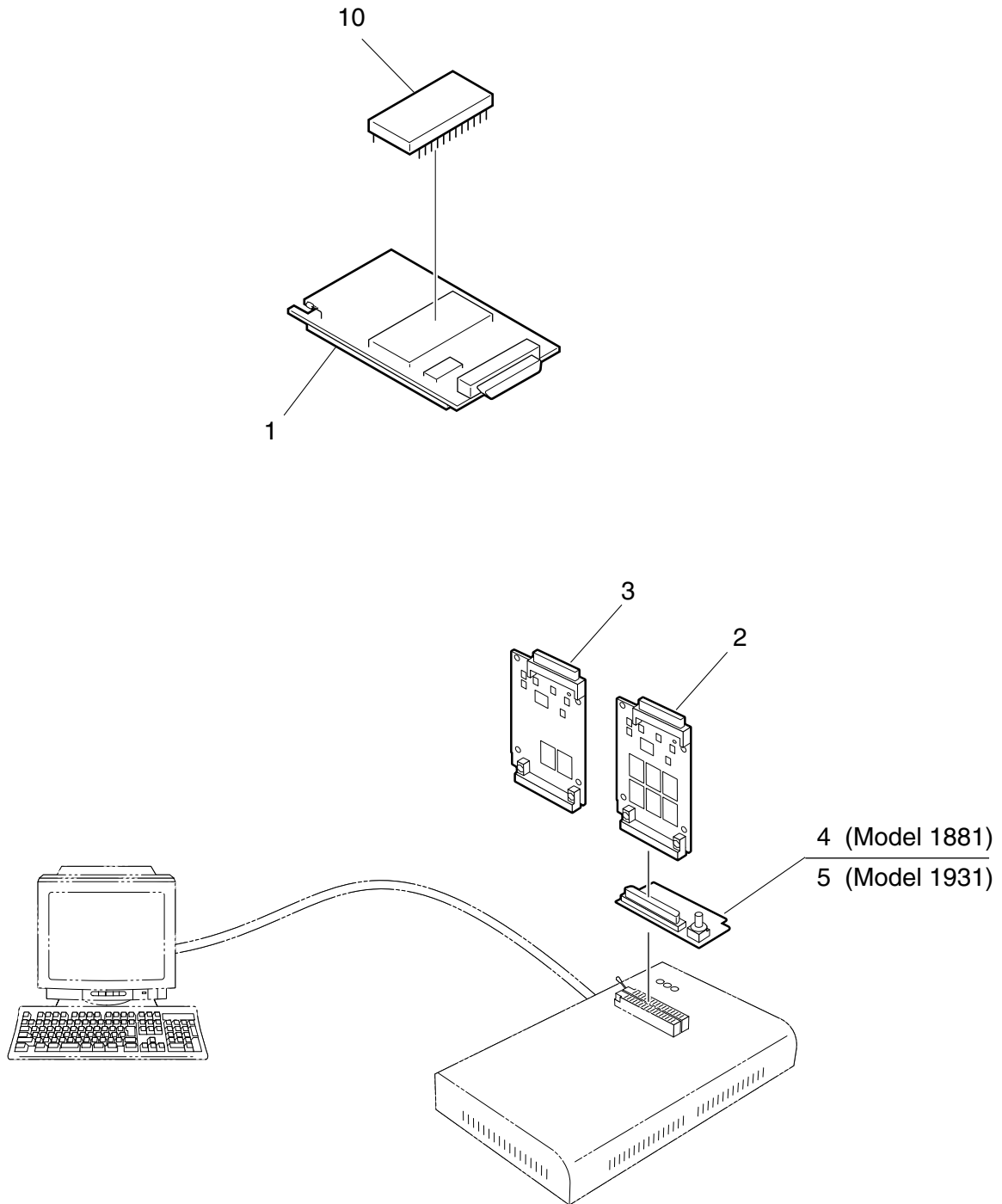


ITEM No.	PART No.	PART NAME	Q'TY / PAGE	Q'TY / PACK	P	I	R	BSI No.	TO	FROM	REMARKS
1	6LE53703000	TRAY-CST-280	1								
2	6LE53700000	SLIDE-WALL-F	1								
3	6LE53715000	CLAW-F-280	1								
4	6LE53706000	SLIDE-LATCH-SPG	1								
5	6LE53704000	LEVER-LOCK-WALL-280	1								
6	6LE53701000	SLIDE-WALL-R	1								
7	6LE53716000	CLAW-R-280	1								
8	4406520870	STOPPER-6-3	2								
9	6LE53717000	GEAR-10S18-8-TRAY	1								
10	X0-00939000	W/PL/PJO-4-SS	1								
11	X0-01989000	S/TPP/BID-3X8-NI	4								
12	6LE53730000	SPG-LATCH-TRAY	1								
13	6LE53718000	STOP-PLATE-CSSTT	1								
14	6LE53732000	SPG-CSSTT-280	2								
15	6LE53702000	PLATE-CSSTT-280	1								
16	6LE53731000	SHEET-PLATE-SLIP	2								
17	6LE53746000	BRKT-TRAY-280	1								
18	6LE53705000	WALL-CSSTT-END-280	1								
19	6LE53725000	COVER-CSSTT-280	1								
20	X0-02247000	S/TPP/FHEXM-3X8-NI	3								
21	6LE53745000	CATCH-CST-280	1								
22	6LE53744000	LBL-CST-MAX-280	1								
23 A	6LE03708000	SIZE-CST-390-UC	1								NAD
23 B	6LE03709000	SIZE-CST-390-E	1								ASD,AUD,MJD,ASU,SAD,TWD
23 C	6LE03715000	SIZE-CST-390-C	1								CND

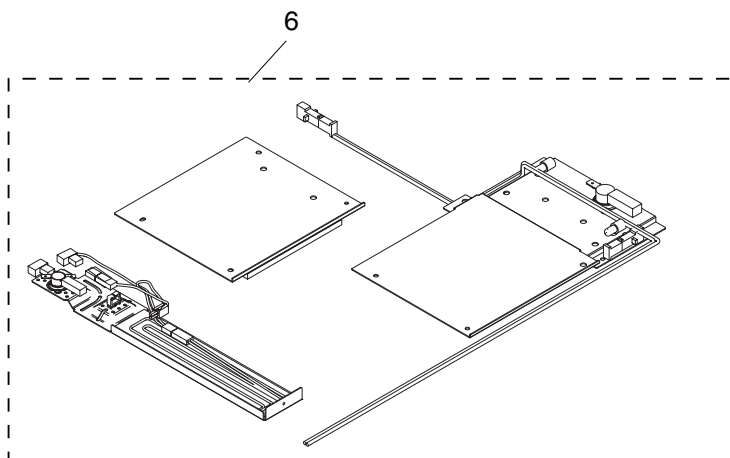
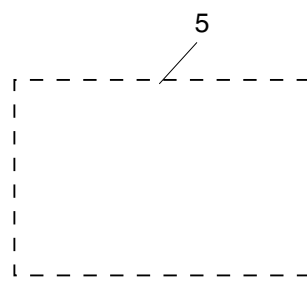
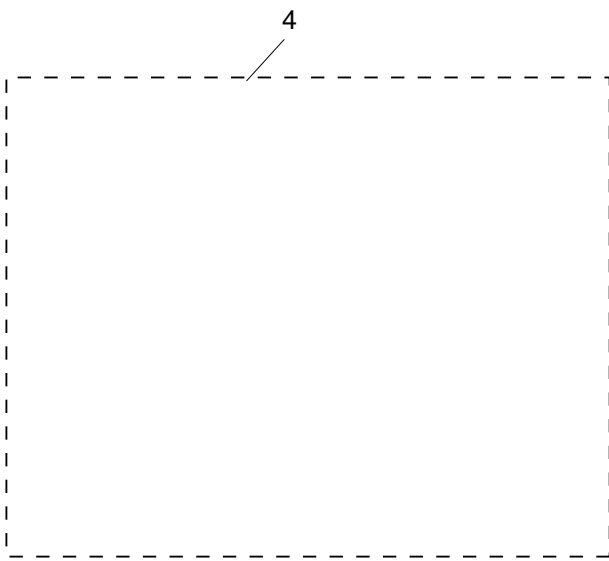
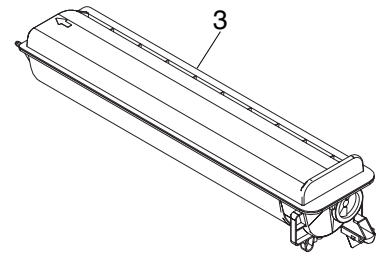
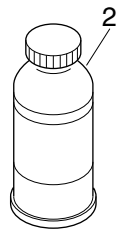
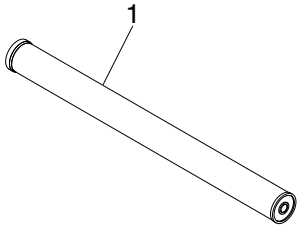


ITEM No.	PART No.	PART NAME	Q'TY / PAGE	Q'TY / PACK	P	I	R	BSI No.	TO	FROM	REMARKS
1	6LE65500000	KEY-PLATE-280	1								
2	4407915710	BRUSH-33	1								
3	4402048100	ASM-JIG-DOC-180	1								
4	4407914000	NOZZLE-BOTTLE	1								
5	6LA01757000	HOLDER-WIRE-SCAN	2								
6	6LE60640000	SPRING-MTR	1								
7	6LA91605000	ASY-PU-TOOL-F371	1								High-Voltage measurement jig
10	4407933080	ASM-SILICONE-1M	1								Silicon Oil
11	4842512170	OIL-LAUNA40-100	1								LAUNA40 100cc
12 A	41303709000	ASM-PG-HP300-S	1								White grease 100g
12 B	6LA00019000	GREASE-HP300-S	1								White grease 10g
13	41303711000	ASM-PG-ALV2	1								Alvania No.2
14	4400545160	MOLYKOTE-100	1								
15	41303710000	ASM-PG-GE334C-S	1								

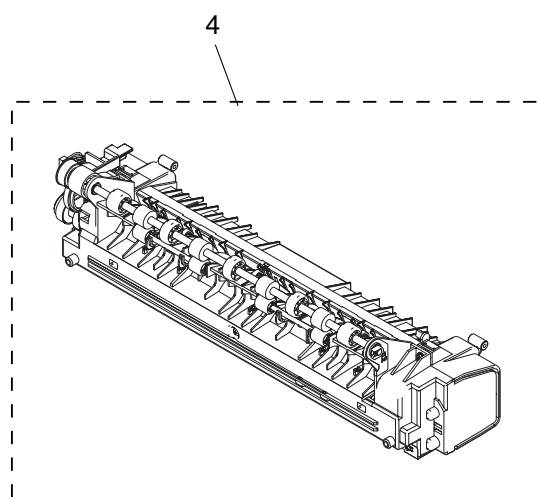
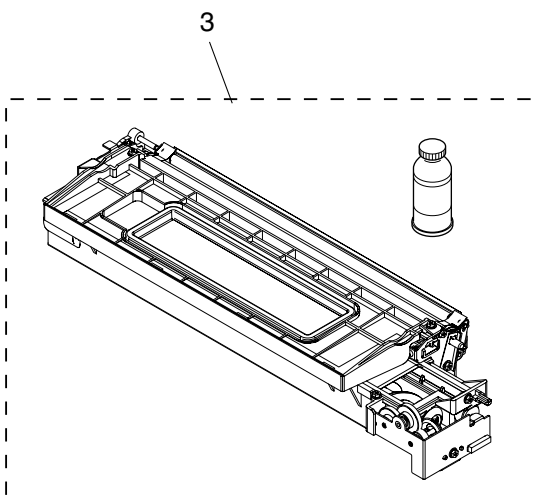
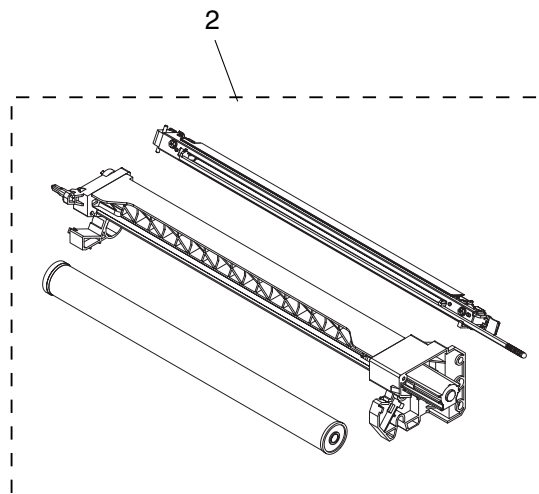
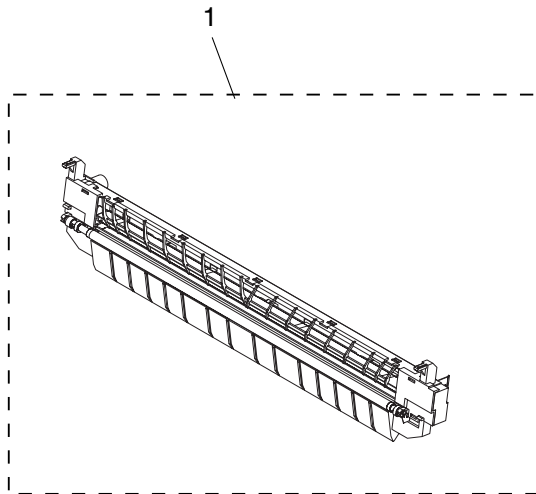




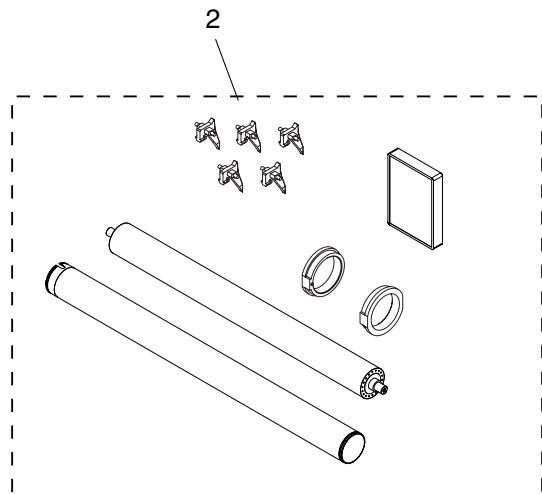
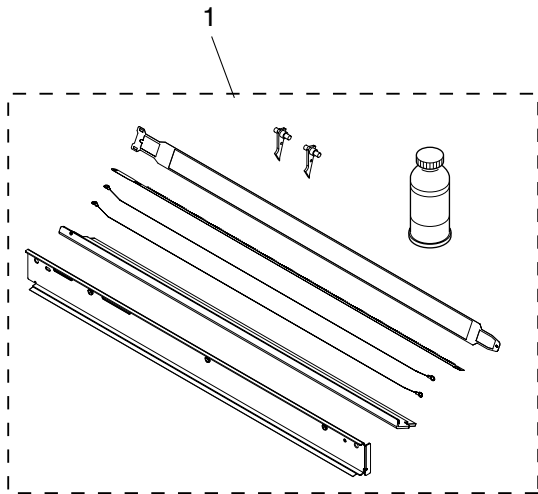
ITEM No.	PART No.	PART NAME	Q'TY / PAGE	Q'TY / PACK	P	I	R	BSI No.	TO	FROM	REMARKS
1	44205829000	K-PWA-DLM-320	1								
2	6LA41995000	PWA-DWNLD-350-JIG2	1								
3	6LA41994000	PWA-DWNLD-350-JIG1	1								
4	6LA41996000	PWA-DL-ADP-350-1881	1								
5	6LA41997000	PWA-DL-ADP-350-1931	1								
10	C0-04530000	M27C4001-10F1	1								



ITEM No.	PART No.	PART NAME	Q'TY / PAGE	Q'TY / PACK	P	I	R	BSI No.	TO	FROM	REMARKS
1 A	41303611000	OD-1600	1								All
1 B	6LA27896000	OD-2320	1								China
2 A	6LA27715000	D-2320	1								All
2 B	6LA27713000	D-2320C	1								China
3 A	6AK00000037	PS-ZT1640(4)	1								TABS/TCL
3 B	6AG00001336	PS-ZT1640D(4)	1								Asia, Latin(TABS)
3 C	6AG00001623	PS-ZT1640D5k(4)	1								Asia, Latin(TABS), Short life toner
3 D	6AG00001332	PS-ZT1640C(4)	1								China
3 E	6AG00001334	PS-ZT1640C5k(4)	1								China, short life toner
3 F	6AG00001327	PS-ZT1640T(4)	1								Taiwan
3 G	6AJ00000024	PS-ZT1640E(1)	1								EUROPE
3 H	6AJ00000023	PS-ZT1640E5K(1)	1								EUROPE, short life toner
4 A	6AG00001102	KA-1640PC	1								All
4 B	6AG00001103	KA-1640PC-C	1								China
5 A	6AR00000581	GC-1240	1								All
5 B	6AG00001131	GC-1240C	1								China
6 A		MF-xxxxU	1								NAD
6 B		MF-xxxxE	1								MJD
11	6LE59600000	COVER-PLATEN	1								
12	6LE59601000	POCKET-PLAREN	1								
13	6LA60463000	HINGE-PLATEN	1								
14	6LE59607000	SHEET-PLATEN-280	1								
101	X0-02091000	S/TPP/BID-4X14-NI	1								



ITEM No.	PART No.	PART NAME	Q'TY / PAGE	Q'TY / PACK	P	I	R	BSI No.	TO	FROM	REMARKS
1	6LE65620000	TR-CH-1640	1								
2	6LE65630000	CLN/DRUM-1640	1								
3	6LE65600000	DEV-UNIT-1640	1								
4 A	6LE65610100	FUSER-1640-110	1								
4 B	6LE65610200	FUSER-1640-220	1								
4 C	6LE65610300	FUSER-UNIT-1640-KRD	1								



ITEM No.	PART No.	PART NAME	Q'TY / PAGE	Q'TY / PACK	P	I	R	BSI No.	TO	FROM	REMARKS
1	6LA85750100	DEV-KIT-2320	1								
2	6LE65640000	FR-KIT-1640	1								





**TOSHIBA**

**TOSHIBA TEC CORPORATION**

2-17-2, HIGASHIGOTANDA, SHINAGAWA-KU, TOKYO, 141-8664, JAPAN