

Issued by Canon Europa N.V.

Model:

iR2270
iR2870
iR3570
iR4570

Ref No.:

iR4570-004
(F1-T01-0M4-10007-01)

Date:

26-11-04

Location:

PAPER FEEDER FRAME ASSEMBLY

Subject:

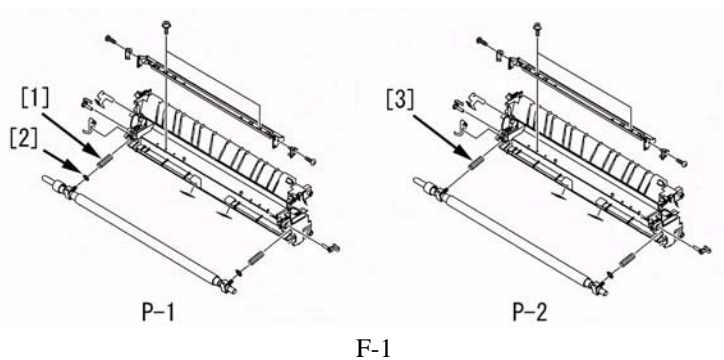
Service work when rear registration roller compression spring is replaced.

Detail:

To prevent image distortion occurred around the trailing edge 45mm, a washer has been inserted to the clearance between the rear registration roller compression spring and the registration roller as a tentative measure since the production was started. However, as a permanent measure, the washer is discontinued and the compression spring is changed to increase its spring strength. This is to inform the points to know about service work for this permanent measure.

Points to know about service work:

1. When the old spring (FU6-2014-000 silver color) is replaced with new one (FU6-2020-000 gold color), be sure to remove the washer before mounting the spring because if it is not removed, it might cause faulty image.
2. There is no change to the front registration roller compression spring (FU5-2611-000) and washer (XD1-1106-219).



P-1 Old paper feeder frame assembly

P-2 New paper feeder frame assembly

[1] Old spring (FU6-2014-000 silver color)

[3] New spring (FU6-2020-000 gold color)

[2] Tentatively used washer

Service Parts:

	DESCRIPTION	PARTS NO.	Q'TY	I.C.	PC
OLD	SPRING, COMPRESSION	FU6-2014-000	1->0	N	141
NEW	SPRING, COMPRESSION	FU6-2020-000	0->1	Y	